



**Count on it.**

**Parts Catalog**

**Titan® X4850**

**Riding Mower**

Model No. 74875—Serial No. 411900000 and Up



# Ordering Replacement Parts

To order replacement parts, please supply the part number, the quantity, and the description of each part desired.

## Understanding Reference Numbers

Each identified part in an illustration has a reference number. The reference number for a part also appears in the parts list, along with other information about the part.

This catalog uses two special reference number formats, one to indicate parts in a service assembly and another to indicate the quantity of a given part in an illustration.

## Service Assembly Reference Numbers

Parts in service assemblies have reference numbers in the form a:b. The a represents the reference number of the entire service assembly and the b represents a sequential number unique to each part within the service assembly.

For example, a wheel assembly might be identified by reference number 6, the tire by 6:1, the valve by 6:2, and the wheel by 6:3. When you order the assembly identified by reference number 6, you receive all parts identified by reference numbers 6:1, 6:2, and 6:3. However, you may also order any part individually. Reference numbers of this type appear in illustration and in parts lists.

## Reference Numbers Indicating Quantity

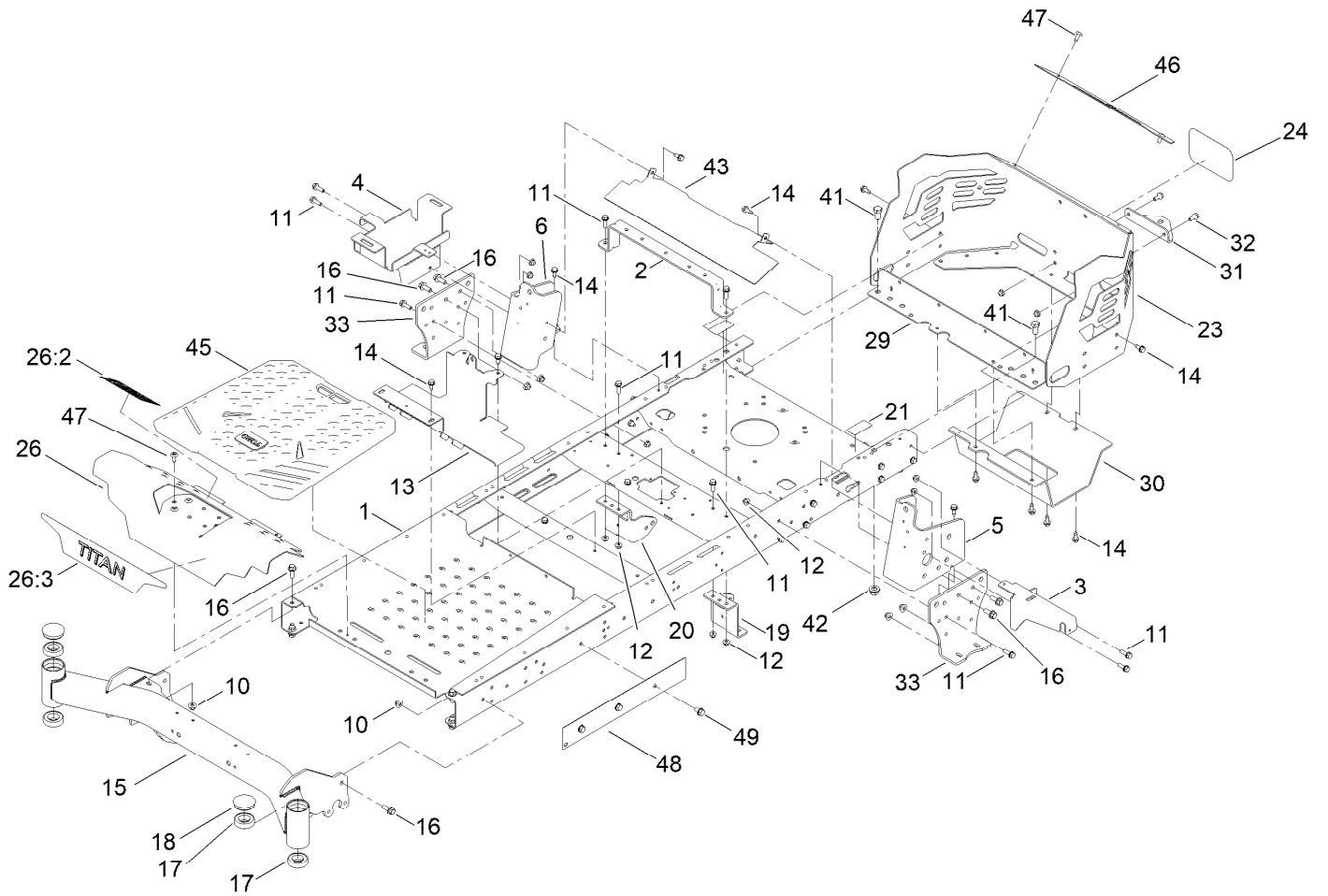
In an illustration, if a reference number indicates more than one part, the reference number has the form nX y. The n represents the quantity of the part, the X is the multiplication symbol, and the y represents the reference number.

For example, in an illustration, the reference number 2X 37 means that two of the parts identified by reference number 37 are indicated.

# Contents

Frame Assembly . . . . .	4
Deck Lift Assembly . . . . .	6
Tire and Caster Assembly . . . . .	8
Traction Drive Assembly . . . . .	10
RH Hydro Transmission Assembly No. 147-2861 . . . . .	12
LH Hydro Transmission Assembly No. 147-2860 . . . . .	14
Brake Assembly . . . . .	16
Tire Assembly . . . . .	18
Seat Pan Assembly . . . . .	20
Seat Assembly No. 140-2714 . . . . .	22
Motion Control Assembly . . . . .	24
Engine and Muffler Assembly . . . . .	26
Body Styling and Fuel Pod Assembly . . . . .	28
Fuel Tank Assembly No. 144-5303 . . . . .	30
Electrical Assembly . . . . .	32
48in Deck Assembly . . . . .	34
Deck Decal Assembly No. 140-0352 . . . . .	36
Frame Decal Assembly . . . . .	38
Clutch Assembly . . . . .	40
Attachments and Accessories . . . . .	42

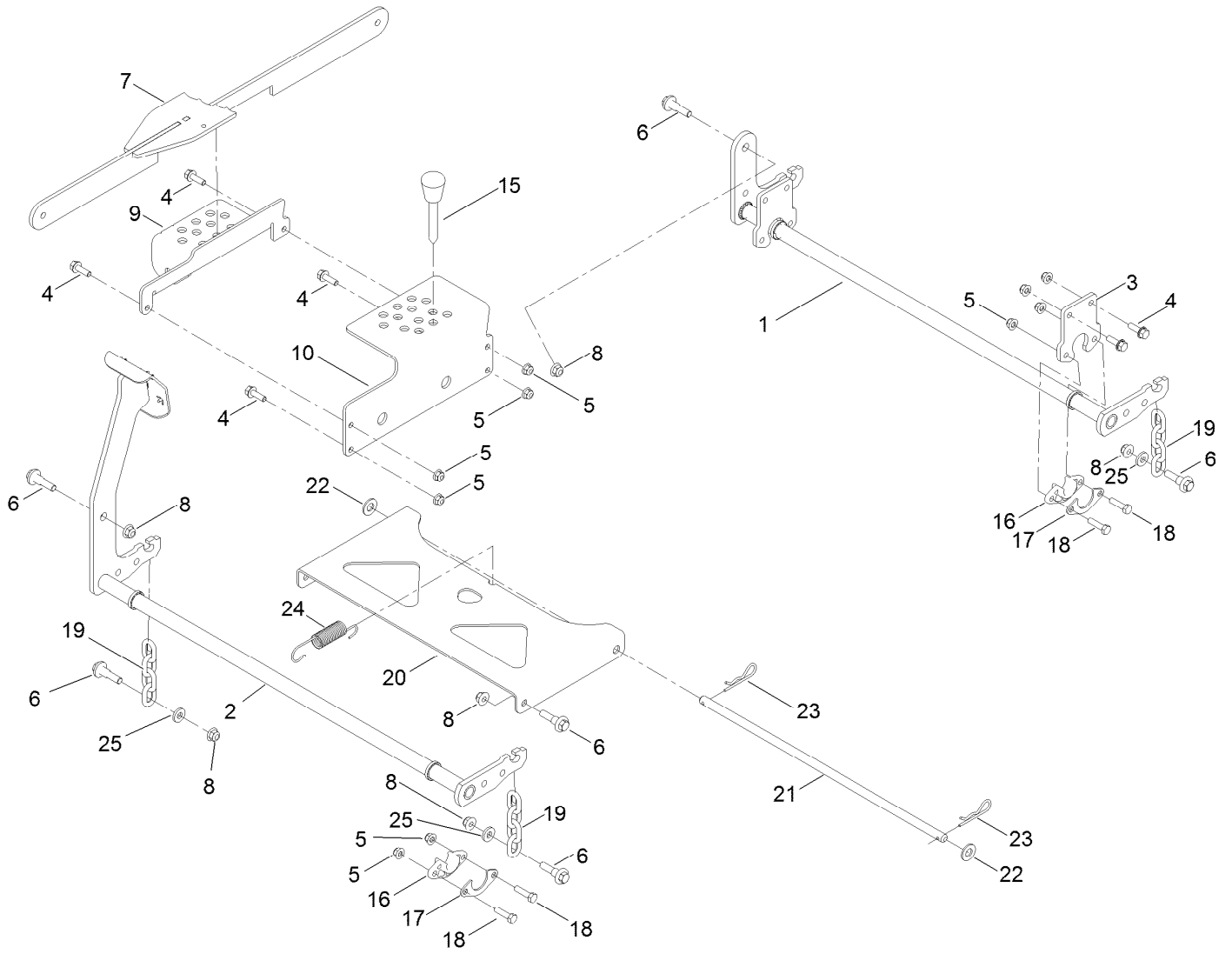
# Frame Assembly



## Frame Assembly (continued)

<i>Ref.</i>	<i>Part Number</i>	<i>Qty.</i>	<i>Description</i>	<i>Ref.</i>	<i>Part Number</i>	<i>Qty.</i>	<i>Description</i>
1	133-1191-01	1	Frame ASM	23	140-1031-03	1	Guard-Engine
2	135-0687-03	1	Brace-Seat, Rear (Wide)	24	99-4693	1	Decal
3	133-7051-03	1	Bracket-Support, Pod (LH)	26	140-3485	1	Footrest-Titan
4	139-3570	1	Tray-Battery	26:2	140-3451	1	Decal-Danger
5	137-5068-01	1	Bracket-Mounting, LH	26:3	139-7469	1	Decal-Titan
6	137-5069-01	1	Bracket-Mounting, RH	29	137-7016-01	1	Crossmember-Rear, Wide
10	119-4042	10	Nut-HF, NI	30	133-4429-03	1	Guard-Muffler
11	139-2596	16	Screw-HHF	31	117-1232-03	1	Bracket-Hitch
12	119-4041	20	Nut-HF	32	139-2598	4	Screw-HHF
13	133-4485-03	1	Bracket-Mount	33	133-1201-03	2	Mount-Hydro
14	32144-70	22	Screw-HWHTF	41	139-2628	2	Screw-HH
15	140-2706-01	1	Front Axle ASM	42	139-1689	2	Nut-HF
16	139-2597	10	Screw-HHF	43	136-9183-03	1	Shield
17	109-3678	4	Bearing-Ball	45	139-7487	1	Floor Mat
18	138-7200	2	Cap-Grease	46	140-1032-01	1	Trim-Guard, Engine
19	139-3211-01	1	Mount-Hydro, Front (Left)	47	138-9753	4	Screw
20	137-7020-01	1	Mount-Hydro, Front (Right)	48	140-0366-01	1	Plate-Frame
21	121-2989	2	Decal-Bypass	49	32144-69	3	Screw-HWHTF

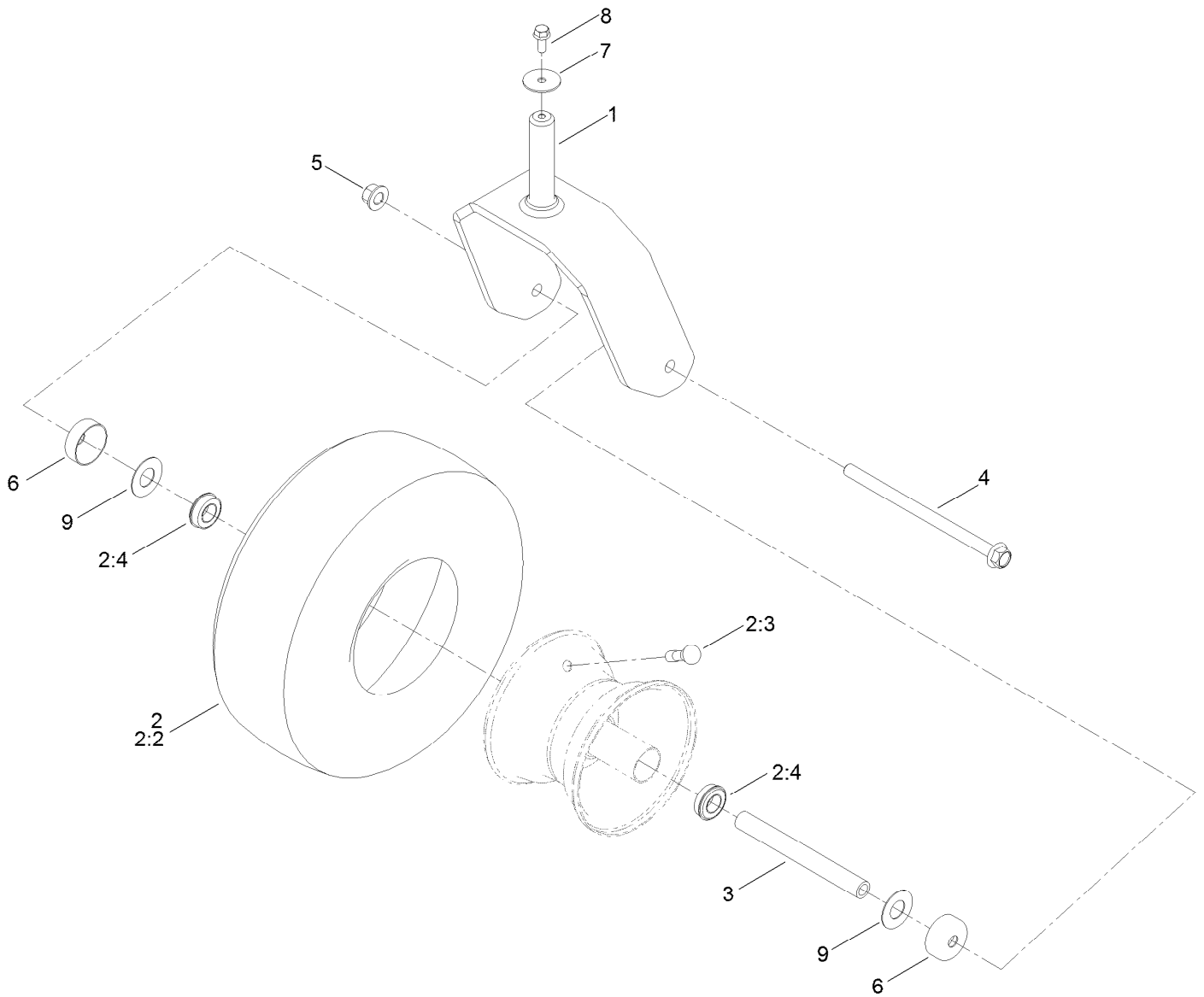
# Deck Lift Assembly



## Deck Lift Assembly (continued)

<i>Ref.</i>	<i>Part Number</i>	<i>Qty.</i>	<i>Description</i>	<i>Ref.</i>	<i>Part Number</i>	<i>Qty.</i>	<i>Description</i>
1	137-2020-03	1	Pivot-Rear	16	139-5872	4	Bearing-Flange
2	133-4430-03	1	Pivot-Front	17	138-7204	4	Gusset-Deck Lift
3	137-2021-03	2	Plate	18	120-9696	8	Screw-HH
4	139-2596	8	Screw-HHF	19	138-7205	4	Chain-Decklift, 4-Link
5	119-4041	16	Nut-HF	20	133-4311-01	1	Pan-Pivot, Deck
6	130-0742	8	Bolt-Shoulder	21	133-7071	1	Rod-Pivot, Deck
7	139-3553-03	1	Lift Link ASM	22	139-2611	2	Washer-Flat
8	119-4042	8	Nut-HF, NI	23	139-2562	2	Pin-Hair
9	139-3557-03	1	Plate-HOC, Lower	24	138-7206	1	Spring-Extension
10	139-3556-03	1	Plate-HOC, Upper	25	138-7207	4	Spacer-Hub, Blower
15	140-2146	1	HOC Pin ASM				

# Tire and Caster Assembly

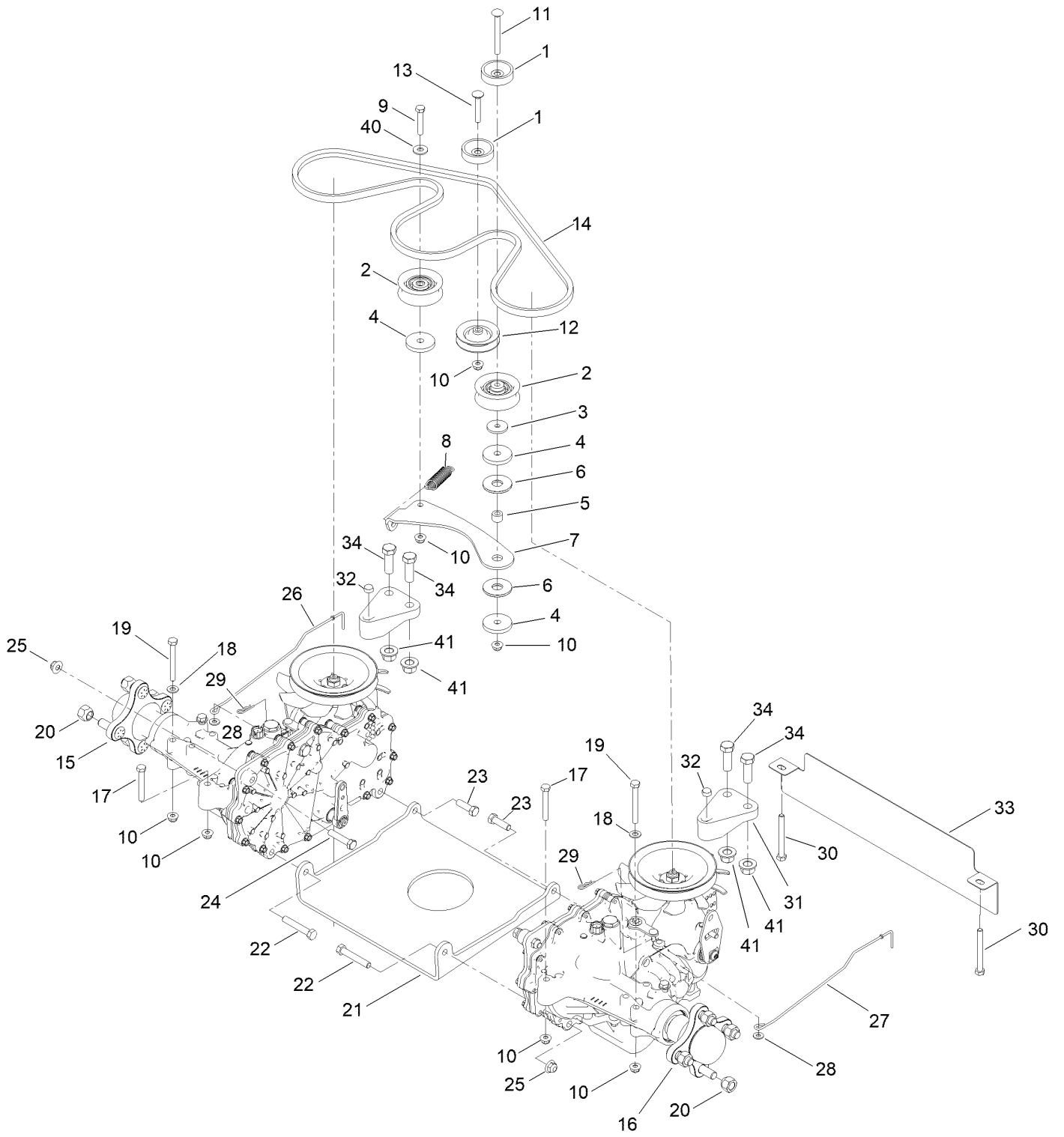




## Tire and Caster Assembly (continued)

<i>Ref.</i>	<i>Part Number</i>	<i>Qty.</i>	<i>Description</i>	<i>Ref.</i>	<i>Part Number</i>	<i>Qty.</i>	<i>Description</i>
1	139-7537-01	2	Fork-Caster	4	139-2559	2	Screw-HHF
2	139-7532	2	Tire And Wheel ASM	5	139-1689	2	Nut-HF
2:2	126-5959	1	Tire	6	138-7208	4	Guard-Seal
2:3	232-27	1	Stem-Valve	7	115-1151	2	Washer-Flat
2:4	136-4190	2	Bearing	8	139-2598	2	Screw-HHF
3	133-4487	2	Spanner-Wheel	9	136-5590	4	Washer

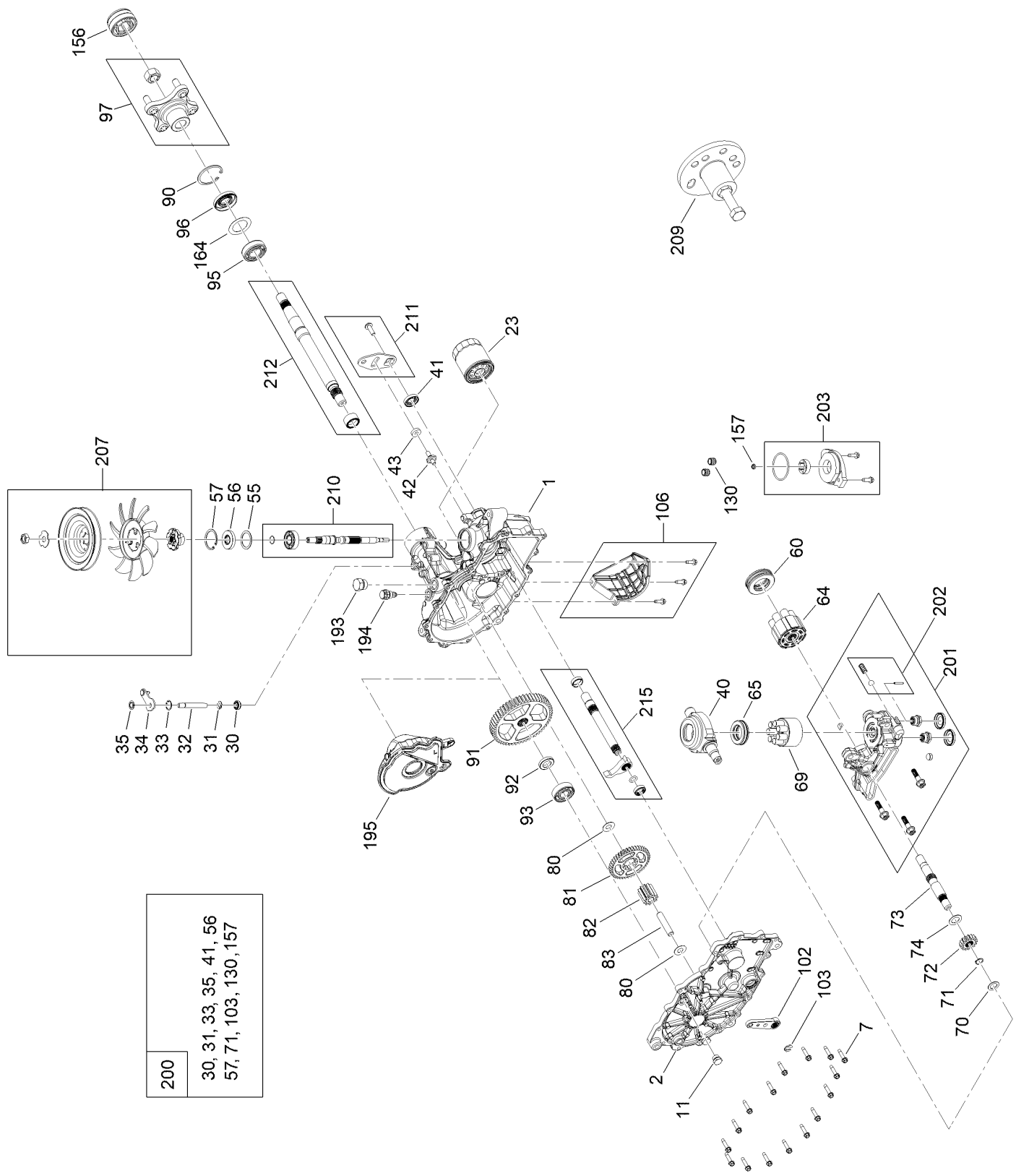
# Traction Drive Assembly



## Traction Drive Assembly (continued)

<i>Ref.</i>	<i>Part Number</i>	<i>Qty.</i>	<i>Description</i>	<i>Ref.</i>	<i>Part Number</i>	<i>Qty.</i>	<i>Description</i>
1	119-3353	2	Spacer	18	120-9683	6	Washer-Plain
2	138-7597	2	Pulley-Idler, Flat	19	139-2583	4	Screw-HH
3	139-1704	1	Washer-Flat	20	139-2564	8	Nut-Lug
4	139-5802	3	Washer-Plain	21	130-0718-01	1	Plate-Cross, Hydro
5	138-7209	1	Bushing	22	139-2589	2	Screw-HH
6	114-0463	2	Washer-Friction, Composite	23	139-2601	2	Screw-HH
7	133-4423	1	Arm-Idler	24	139-2602	2	Screw-HH
8	137-7040	1	Spring-Return, Pedal	25	119-4042	6	Nut-HF, NI
9	139-1719	1	Screw-HH	26	139-5855	1	Rod-Bypass, RH
10	119-4041	9	Nut-HF	27	139-5854	1	Rod-Bypass, LH
11	119-9784	1	Screw-CARR	28	120-9679	2	Washer-Flat
12	119-8822	1	Pulley-Idler	29	137-3083	2	Pin-Hair
13	139-2625	1	Screw-CARR	30	139-2584	2	Screw-HH
14	133-4371	1	V-Belt	31	133-1247	2	Support-Hydro, Rear
15	147-2861	1	RH Hydro Transmission ASM	32	119-4038	2	Nut-Hex
16	147-2860	1	LH Hydro Transmission ASM	33	131-1098-03	1	Guard-Rear, Wide
17	120-9738	2	Screw-HH	34	139-2631	4	Screw-HH
				40	139-1723	1	Washer-Flat
				41	139-1689	4	Nut-HF

# RH Hydro Transmission Assembly No. 147-2861

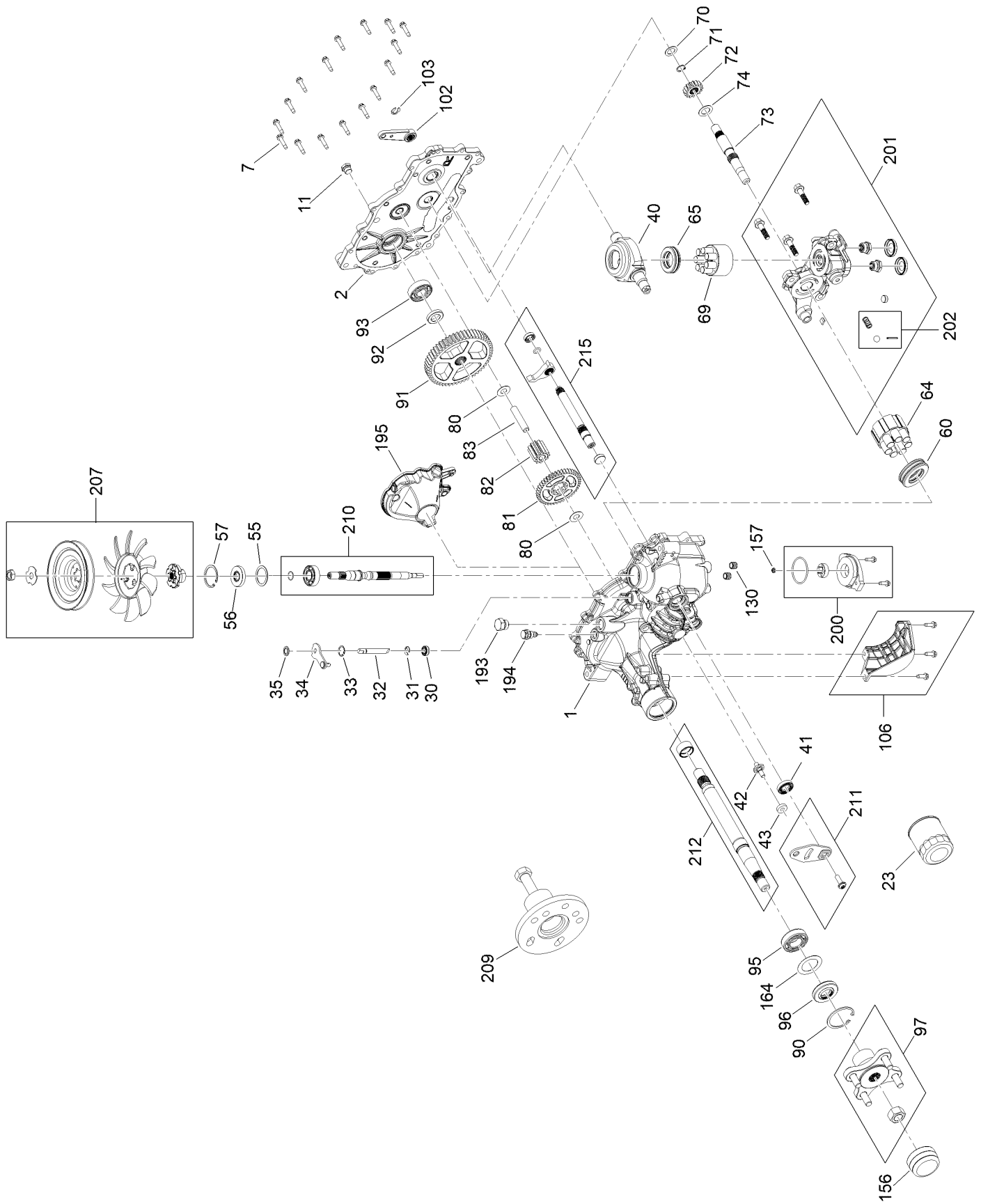


- |            |   |
|------------|---|
| <b>200</b> | <p>30, 31, 33, 35, 41, 56<br/>57, 71, 103, 130, 157</p> |
|------------|---|

# RH Hydro Transmission Assembly No. 147-2861 (continued)

<i>Ref.</i>	<i>Part Number</i>	<i>Qty.</i>	<i>Description</i>	<i>Ref.</i>	<i>Part Number</i>	<i>Qty.</i>	<i>Description</i>
1	140-8347	1	LH Main Housing Kit	83	104-5329	1	Pin-Jackshaft
2	140-8350	1	LH Side Cover Kit	90	104-2169	1	Ring-Retaining
7	117-5359	16	Screw-HHF	91	114-1694	1	Gear-54T
11	135-1140	1	Plug-Straight	92	120-7975	1	Spacer
23	109-3321	1	Element-Oil Filter, HYD	93	135-1361	1	Bearing-Ball
30	139-7497	1	Seal-Lip	95	130-8477	1	Bearing-Ball
31	106-8677	1	Ring-Retaining, External	96	104-2144	1	Seal
32	114-1685	1	Rod-Bypass	97	109-5939	1	Hub Kit
33	106-8679	1	Ring-Retaining, Internal	102	125-0021	1	Handle-Brake
34	107-2490	1	Arm-Bypass	103	131-0906	1	Ring-Retaining, EXT
35	106-8681	1	Ring-Retaining, External	106	139-7498	1	Filter Guard Kit
40	104-5304	1	Swashplate-Trunnion	130	126-3251	2	Tube-Charge
41	104-5313	1	Seal-Lip	156	115-5057	1	Cover-Nut, Axle
42	104-2116	1	Stud	157	126-1930	1	Gerotor Seal Kit
43	112-9853	1	Puck-Friction	164	121-5745	1	Spacer
55	104-5308	1	Spacer	193	140-8343	1	Plug
56	104-5310	1	Seal-Lip	194	140-8356	1	Breather Fitting ASM
57	104-5309	1	Ring-Retaining	195	140-8358	1	LH Internal Expansion Tank ASM
60	112-4154	1	Bearing-Thrust	200	140-8351	1	Seal Kit
64	139-4074	1	Cylinder Block ASM Kit	201	147-2907	1	Kit, Center Section, RH Charge
65	94-6922	1	Bearing-Thrust	202	114-8464	1	Charge Relief Kit
69	110-8561	1	Pump Block ASM	203	114-8465	1	Charge Kit
70	104-5339	1	Washer-Flat	207	135-7343	1	Fan And Pulley Kit
71	104-5340	1	Ring-Retaining	209	114-8467	1	Puller-Hub, 4 Bolt
72	114-1690	1	Gear-14T	210	139-7502	1	Input Shaft Kit
73	114-1691	1	Shaft-Motor	211	117-5362	1	Control Arm Kit
74	104-5360	1	Washer	212	114-8470	1	Axle Shaft Kit
80	94-1933	2	Washer	215	140-8353	1	Inboard Kit
81	114-1692	1	Gear-45T				
82	114-1693	1	Gear-11T				

# LH Hydro Transmission Assembly No. 147-2860

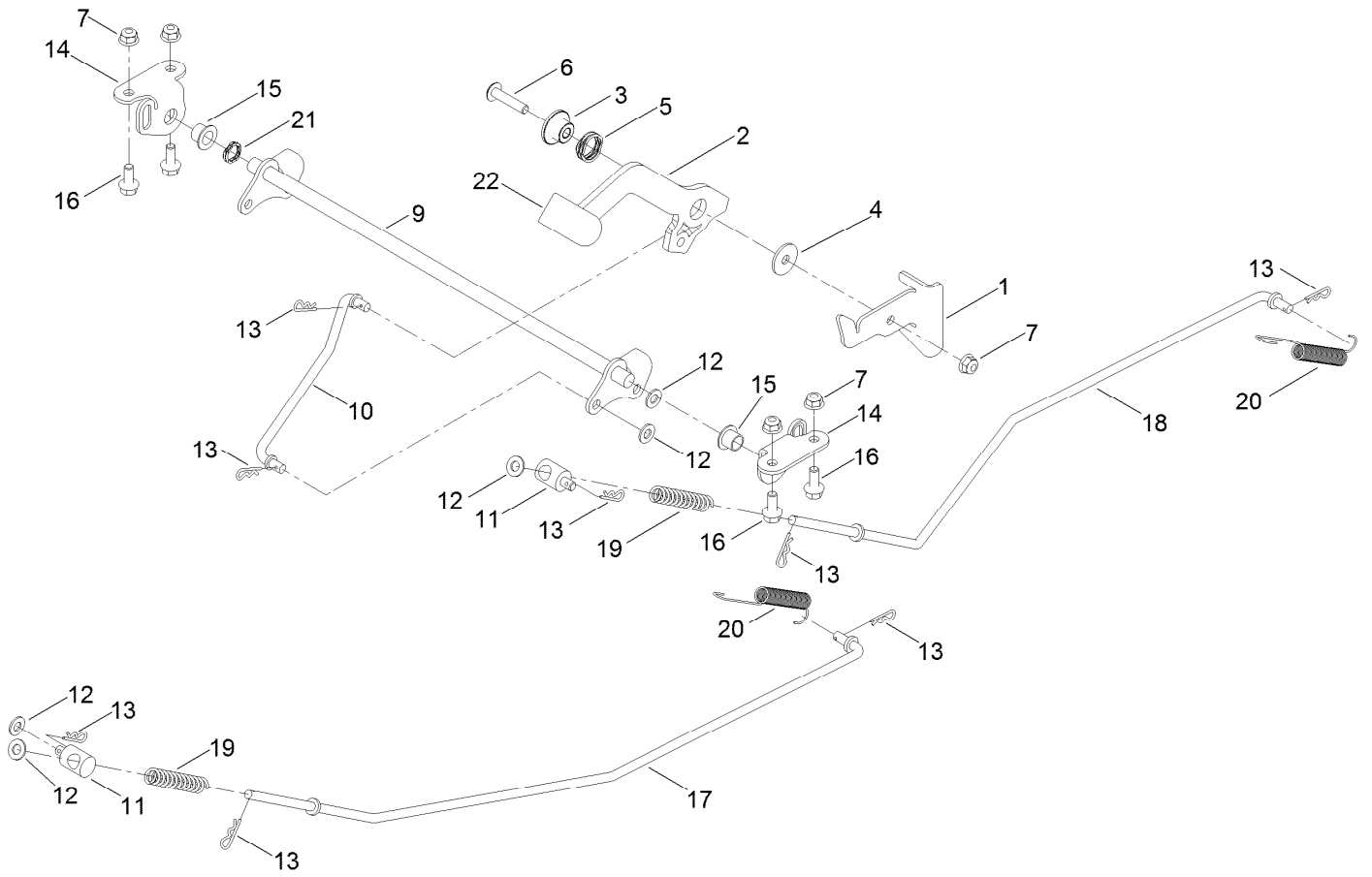


# LH Hydro Transmission Assembly No. 147-2860 (continued)

<i>Ref.</i>	<i>Part Number</i>	<i>Qty.</i>	<i>Description</i>	<i>Ref.</i>	<i>Part Number</i>	<i>Qty.</i>	<i>Description</i>
1	140-8345	1	RH Main Housing Kit	83	104-5329	1	Pin-Jackshaft
2	140-8349	1	RH Side Cover Kit	90	104-2169	1	Ring-Retaining
7	117-5359	16	Screw-HHF	91	114-1694	1	Gear-54T
11	135-1140	1	Plug-Straight	92	120-7975	1	Spacer
23	109-3321	1	Element-Oil Filter, HYD	93	135-1361	1	Bearing-Ball
30	139-7497	1	Seal-Lip	95	130-8477	1	Bearing-Ball
31	106-8677	1	Ring-Retaining, External	96	104-2144	1	Seal
32	114-1685	1	Rod-Bypass	97	109-5939	1	Hub Kit
33	106-8679	1	Ring-Retaining, Internal	102	125-0021	1	Handle-Brake
34	112-9852	1	Arm-Bypass	103	131-0906	1	Ring-Retaining, EXT
35	106-8681	1	Ring-Retaining, External	106	139-7499	1	Filter Guard Kit
40	104-5304	1	Swashplate-Trunnion	130	126-3251	2	Tube-Charge
41	104-5313	1	Seal-Lip	156	115-5057	1	Cover-Nut, Axle
42	104-2116	1	Stud	157	126-1930	1	Gerotor Seal Kit
43	112-9853	1	Puck-Friction	164	121-5745	1	Spacer
55	104-5308	1	Spacer	193	140-8343	1	Plug
56	104-5310	1	Seal-Lip	194	140-8356	1	Breather Fitting ASM
57	104-5309	1	Ring-Retaining	195	140-8357	1	RH Internal Expansion Tank ASM
60	112-4154	1	Bearing-Thrust	200	140-8351	1	Seal Kit
64	139-4074	1	Cylinder Block ASM Kit	201	147-2906	1	Kit, Center Section, LH Charge
65	94-6922	1	Bearing-Thrust	202	114-8464	1	Charge Relief Kit
69	110-8561	1	Pump Block ASM	203	114-8465	1	Charge Kit ●
70	104-5339	1	Washer-Flat	207	135-7343	1	Fan And Pulley Kit
71	104-5340	1	Ring-Retaining	209	114-8467	1	Puller-Hub, 4 Bolt
72	114-1690	1	Gear-14T	210	139-7502	1	Input Shaft Kit
73	114-1691	1	Shaft-Motor	211	117-5362	1	Control Arm Kit
74	104-5360	1	Washer	212	114-8470	1	Axle Shaft Kit
80	94-1933	2	Washer	215	140-8352	1	Inboard Kit
81	114-1692	1	Gear-45T				
82	114-1693	1	Gear-11T				

● Not illustrated

# Brake Assembly

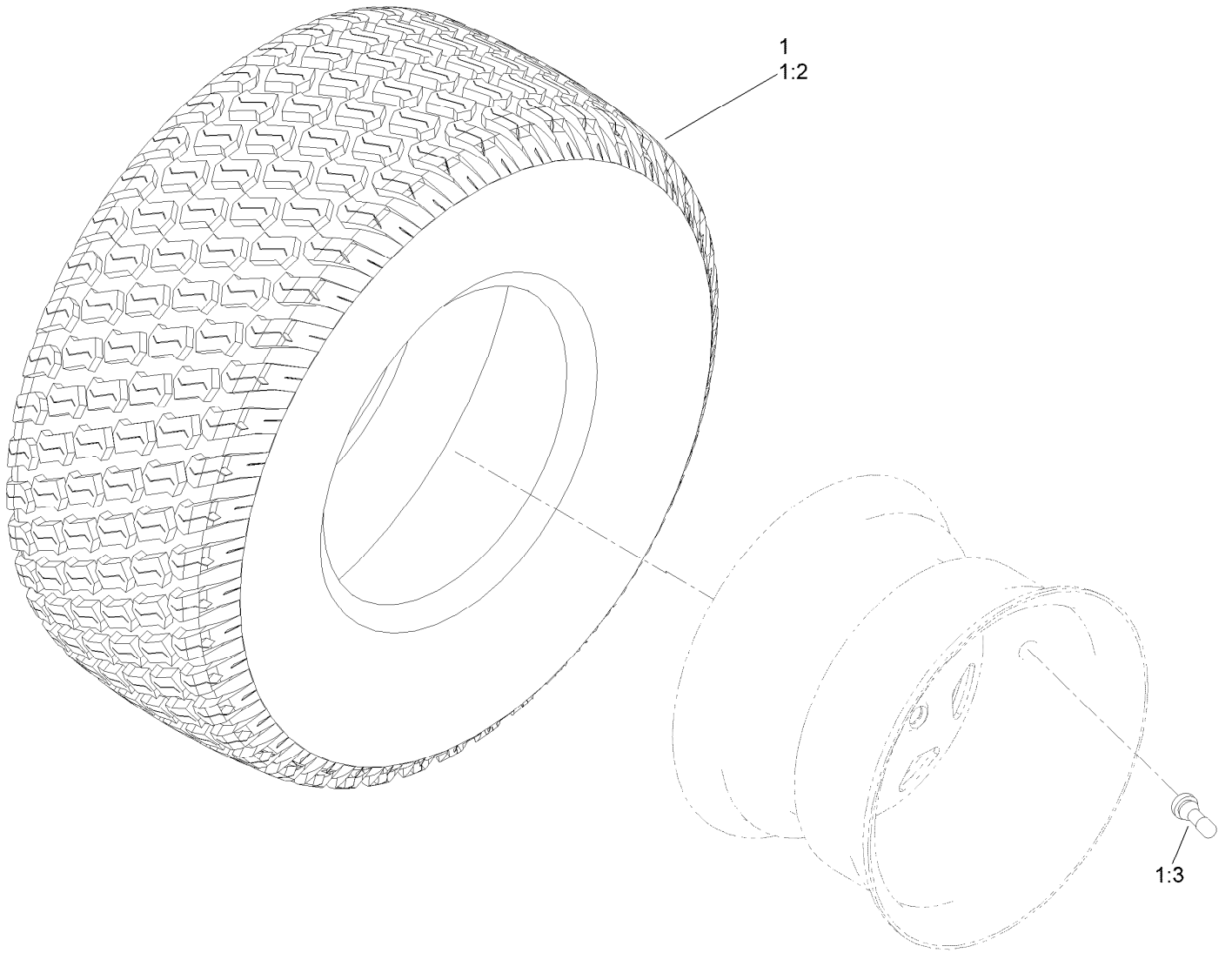




## Brake Assembly (continued)

<i>Ref.</i>	<i>Part Number</i>	<i>Qty.</i>	<i>Description</i>	<i>Ref.</i>	<i>Part Number</i>	<i>Qty.</i>	<i>Description</i>
1	136-5554	1	Detent-Brake	13	137-3083	8	Pin-Hair
2	140-0412	1	Handle-Brake, Parking	14	139-5878-03	2	Plate-Support, Bellcrank
3	139-3572	1	Bushing-Flange	15	125-5239	2	Bushing-Flange
4	5-4460	1	Washer-Pivot	16	139-2598	4	Screw-HHF
5	120-5116	1	Washer-Wave	17	133-9343	1	Rod-Brake, RH
6	126-7439	1	Screw-Torx	18	133-9344	1	Rod-Brake, LH
7	119-4041	5	Nut-HF	19	138-7252	2	Spring-Compression
9	133-9338	1	Bellcrank-Brake	20	110769	2	Spring-Extension
10	133-9342	1	Rod-Brake, Intermediate	21	137-5011	1	Spring-Wave
11	138-7212	2	Fitting-Rod	22	140-0413	1	Grip-Handle
12	120-9683	5	Washer-Plain				

# Tire Assembly



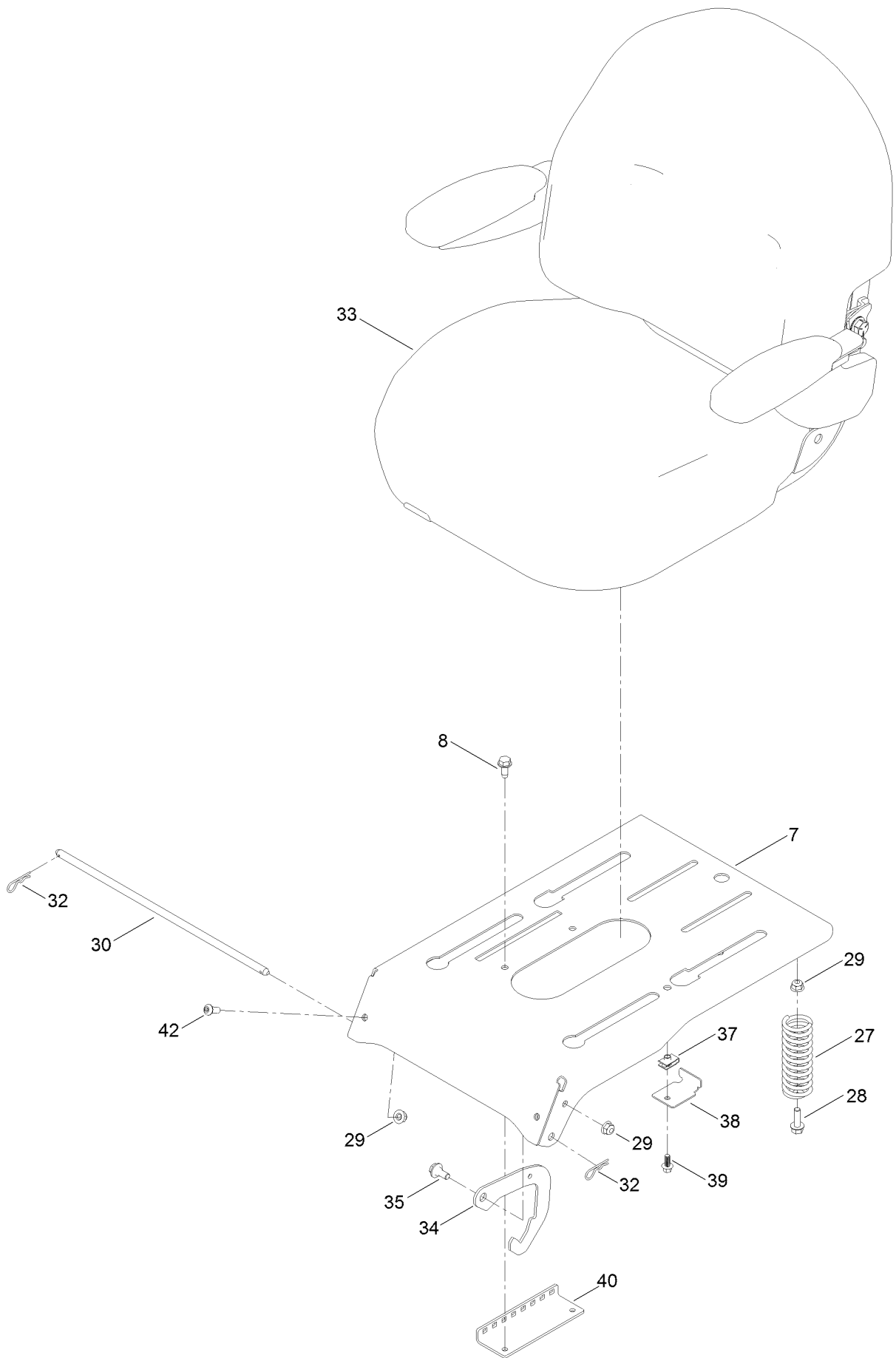
## Tire Assembly (continued)

<i>Ref.</i>	<i>Part Number</i>	<i>Qty.</i>	<i>Description</i>	<i>Ref.</i>	<i>Part Number</i>	<i>Qty.</i>	<i>Description</i>
1	145-0495	2	Tire ASM	1:3	232-27	1	Stem-Valve
1:2	145-0494	1	Tire	1:99	105-4070	1	Tube-Inner ■●

● Not illustrated

■ Optional Equipment

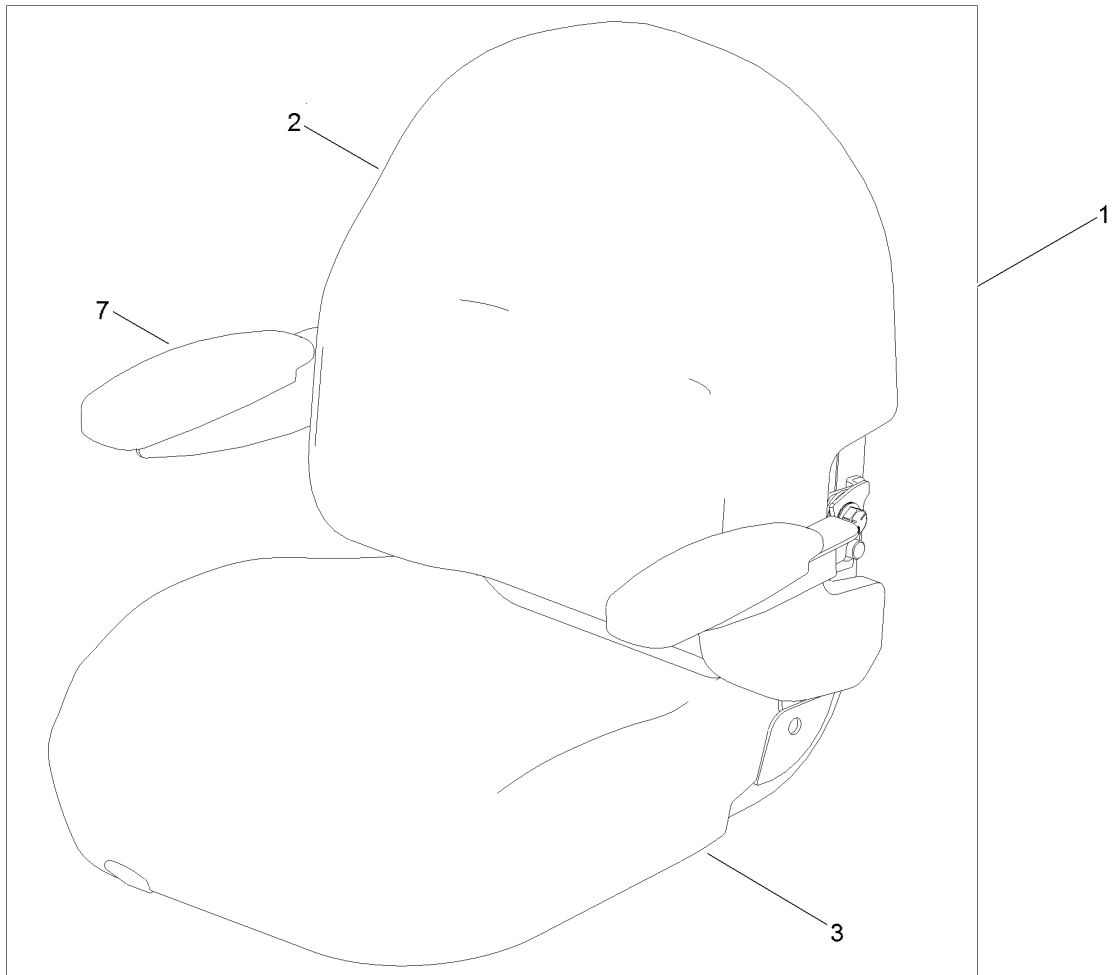
# Seat Pan Assembly



## Seat Pan Assembly (continued)

<i>Ref.</i>	<i>Part Number</i>	<i>Qty.</i>	<i>Description</i>	<i>Ref.</i>	<i>Part Number</i>	<i>Qty.</i>	<i>Description</i>
7	136-5571-03	1	Pan-Seat, Deluxe	34	138-7250	2	Seat Latch
8	32144-70	2	Screw-HWHTF	35	19-1470	2	Screw-Shoulder
27	92-7054	3	Spring-Compression	37	107069	1	Clip
28	139-2596	3	Screw-HHF	38	138-7214	1	Bracket-Stop, Seat
29	119-4041	7	Nut-HF	39	137-3111	1	Screw-HHF
30	138-7213	1	Rod-Pivot, Narrow	40	131-4008-03	1	Bracket-Latch, Seat
32	3290-250	2	Pin-Cotter	42	3274-55	2	Screw-HSBH
33	140-2714	1	Seat ASM				

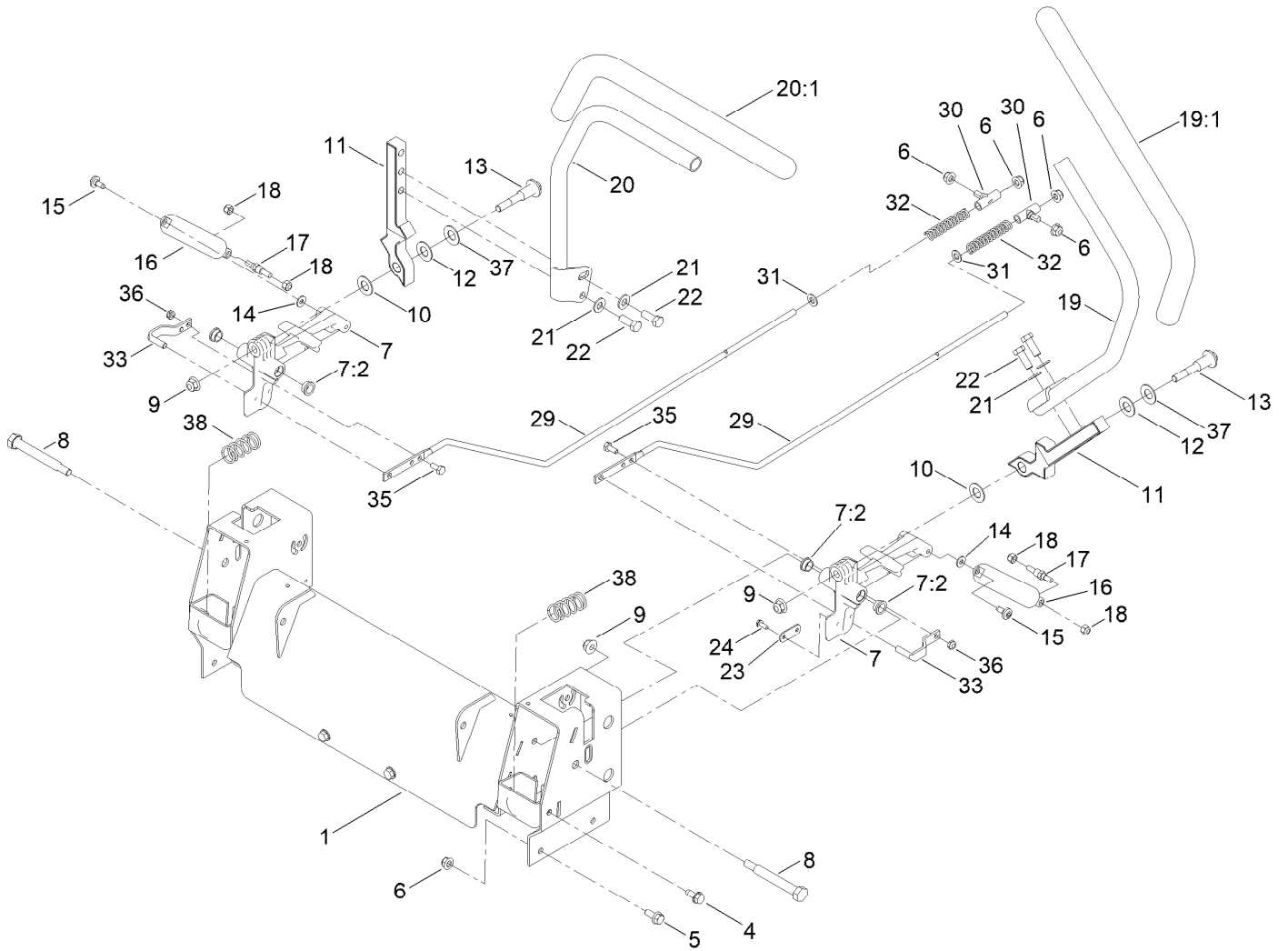
# Seat Assembly No. 140-2714



## Seat Assembly No. 140-2714 (continued)

<i>Ref.</i>	<i>Part Number</i>	<i>Qty.</i>	<i>Description</i>	<i>Ref.</i>	<i>Part Number</i>	<i>Qty.</i>	<i>Description</i>
1	139-7548	1	Seat ASM	5	131-4153	1	Track ASM
2	140-2077	1	Cover-Seat Back	6	131-4154	1	Bushing ASM
3	140-2078	1	Cover-Seat Base	7	139-5823	1	Arm Rest Kit
4	82-2190	1	Switch-Bail	8	140-3468	1	Cap-Switch, Actuator

# Motion Control Assembly

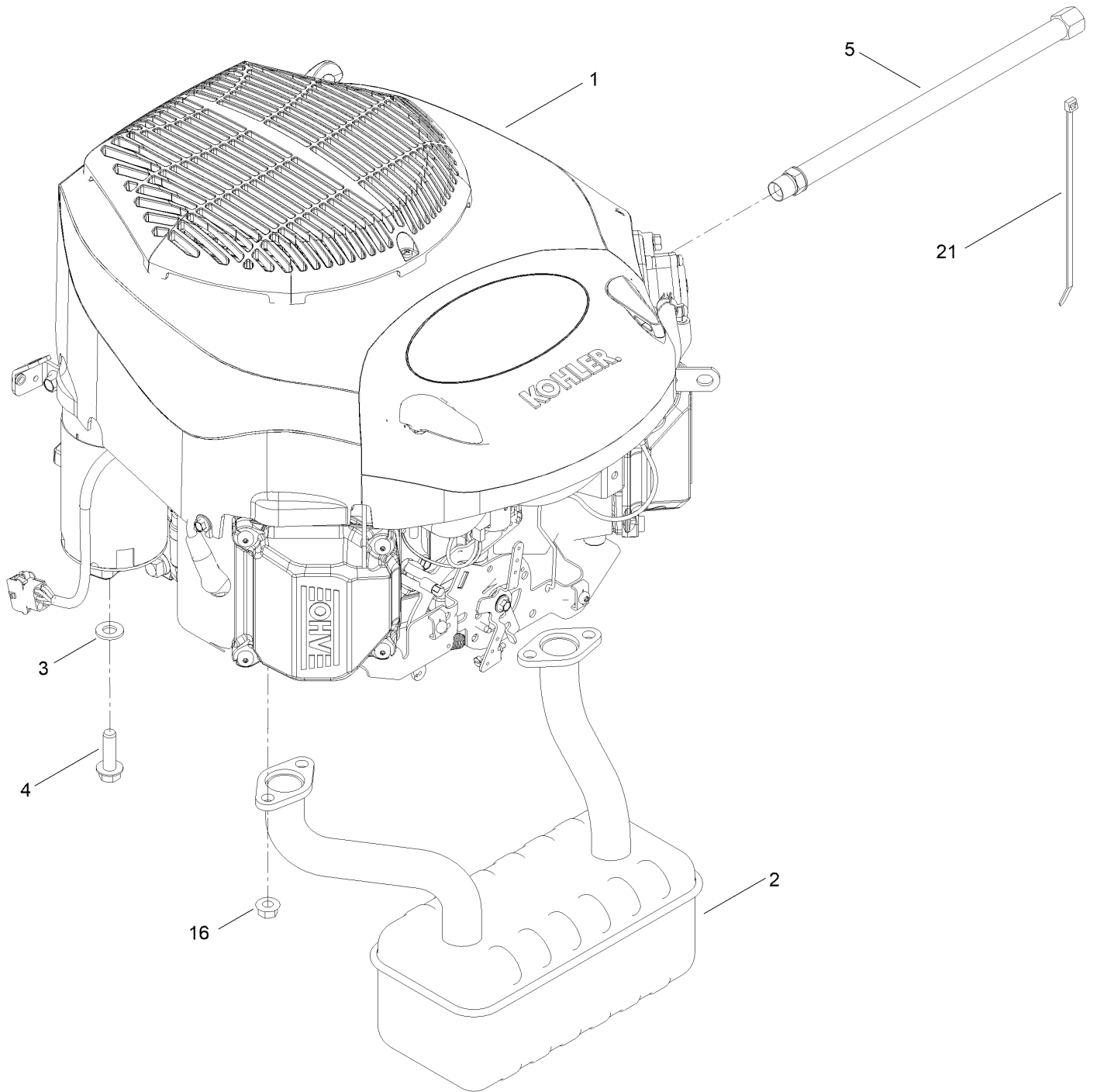




## Motion Control Assembly (continued)

<i>Ref.</i>	<i>Part Number</i>	<i>Qty.</i>	<i>Description</i>	<i>Ref.</i>	<i>Part Number</i>	<i>Qty.</i>	<i>Description</i>
1	139-7531-03	1	Control Box ASM	19	133-7055	1	Handle-Control, LH
4	32144-70	4	Screw-HWHTF	19:1	121-0726	1	Grip
5	139-2598	6	Screw-HHF	20	133-7057	1	Handle-Control, RH
6	119-4041	10	Nut-HF	20:1	121-0726	1	Grip
7	119-3470	2	Actuator Arm ASM	21	115-1166	4	Washer-Flat
7:2	256-156	2	Bushing-Flange	22	139-2600	4	Screw-HH
8	115-5099	2	Bolt-Pivot	23	140-3458	2	Plate-Stop,Hydro
9	119-4042	4	Nut-HF, NI	24	139-1713	4	Screw-Taptite
10	120-2273	2	Washer-Nylon	29	138-7217	2	Rod-Hydro
11	136-5570-05	2	Arm-Control	30	138-7218	2	Mount-Rod, Hydro
12	117-1240	2	Washer	31	120-9683	2	Washer-Plain
13	139-2556	2	Bolt-Pivot	32	138-7252	2	Spring-Compression
14	119-8952	2	Washer	33	121-1753	2	Pin-Rod, Hydro
15	120-7950	2	Screw-Torx	35	137-3041	2	Screw-HH
16	132-6853	2	Damper-Non Cavitating	36	137-3091	2	Nut-Hex
17	138-7215	2	Stud-Damper	37	119-8925	2	Washer-Belleville
18	137-3088	4	Nut-Hex	38	138-7219	2	Spring-Return

# Engine and Muffler Assembly



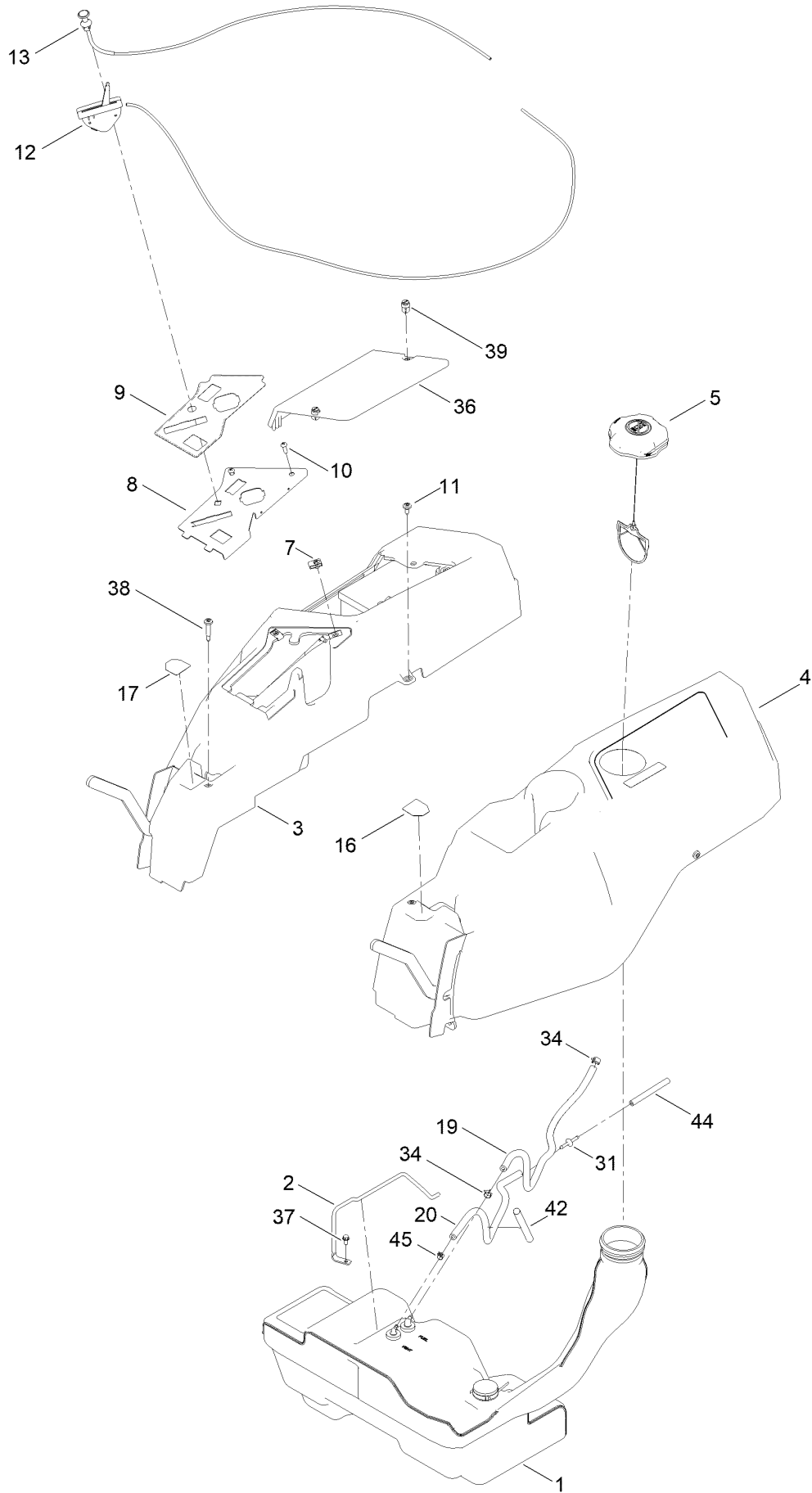
## Engine and Muffler Assembly (continued)

<i>Ref.</i>	<i>Part Number</i>	<i>Qty.</i>	<i>Description</i>	<i>Ref.</i>	<i>Part Number</i>	<i>Qty.</i>	<i>Description</i>
1		1	Engine-Kohler, Kt735 Low Speed ■▲	3	115-1166	4	Washer-Flat
1:1	110-6697	2	Gasket-Exhaust ●	4	139-2576	4	Screw-HWH
1:3	281-2	1	Plug-Pipe, SQH ●	5	117-1261	1	Hose-Drain, Oil
2	139-5868	1	Muffler	16	33004-00	4	Nut-HF
				21	614249	1	Tie-Cable

● Not illustrated  
▲ Obtain parts from [www.kohlerplus.com](http://www.kohlerplus.com)

■ Not serviced separately

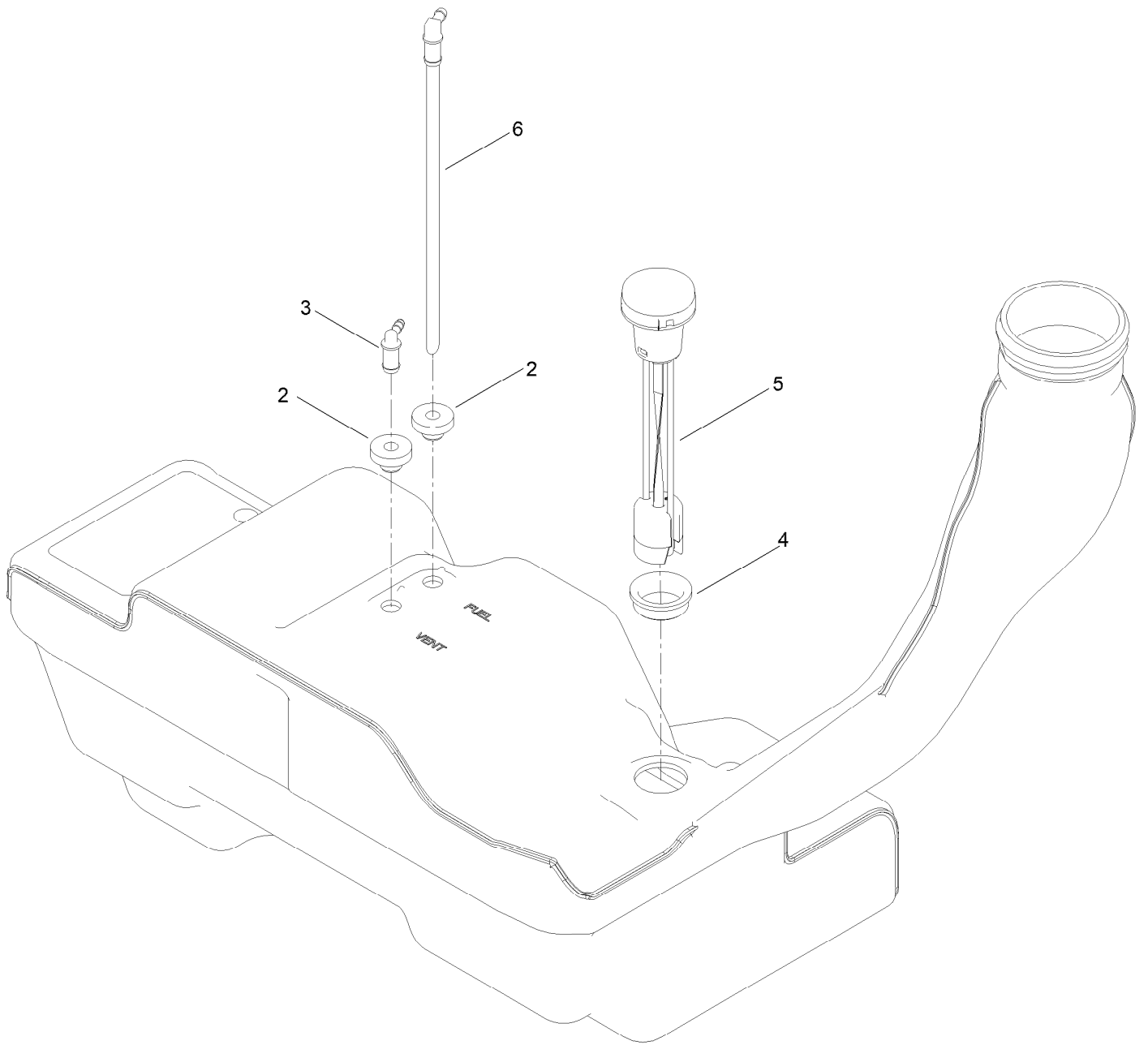
# Body Styling and Fuel Pod Assembly



## Body Styling and Fuel Pod Assembly (continued)

<i>Ref.</i>	<i>Part Number</i>	<i>Qty.</i>	<i>Description</i>	<i>Ref.</i>	<i>Part Number</i>	<i>Qty.</i>	<i>Description</i>
1	144-5303	1	Tank-Fuel ASM	17	136-4244	1	Decal-Lever, Control (RH)
2	136-4180	1	Rod-Hold Down	19	110-5701	1	Hose-Fuel
3	133-9307	1	Pod-RH	20	138-3151	1	Hose-Vent
4	133-9315	1	Pod-LH	31	144-1983	1	Adapter Orifice
5	137-4119	1	Cap-Fuel, Ratcheting	34	2412-98	2	Clamp-Hose
7	107069	2	Clip	36	133-9308	1	Cover-Battery
8	139-7486-03	1	Panel-Control	37	32144-4	1	Screw-HWH
9	139-7473	1	Decal-Panel, Control	38	136-4195	2	Screw-Shoulder
10	3258-166	2	Screw-PRH	39	121-5840	2	Fastener
11	120-7950	4	Screw-Torx	42	138-2522	1	Sleeve-Fuel Line Protector
12	139-3267	1	Cable-Throttle	44	68-3632	1	Hose-Fuel
13	139-2402	1	Cable-Choke	45	2412-80	1	Clamp-Hose
16	136-4243	1	Decal-Lever, Control (LH)				

# Fuel Tank Assembly No. 144-5303

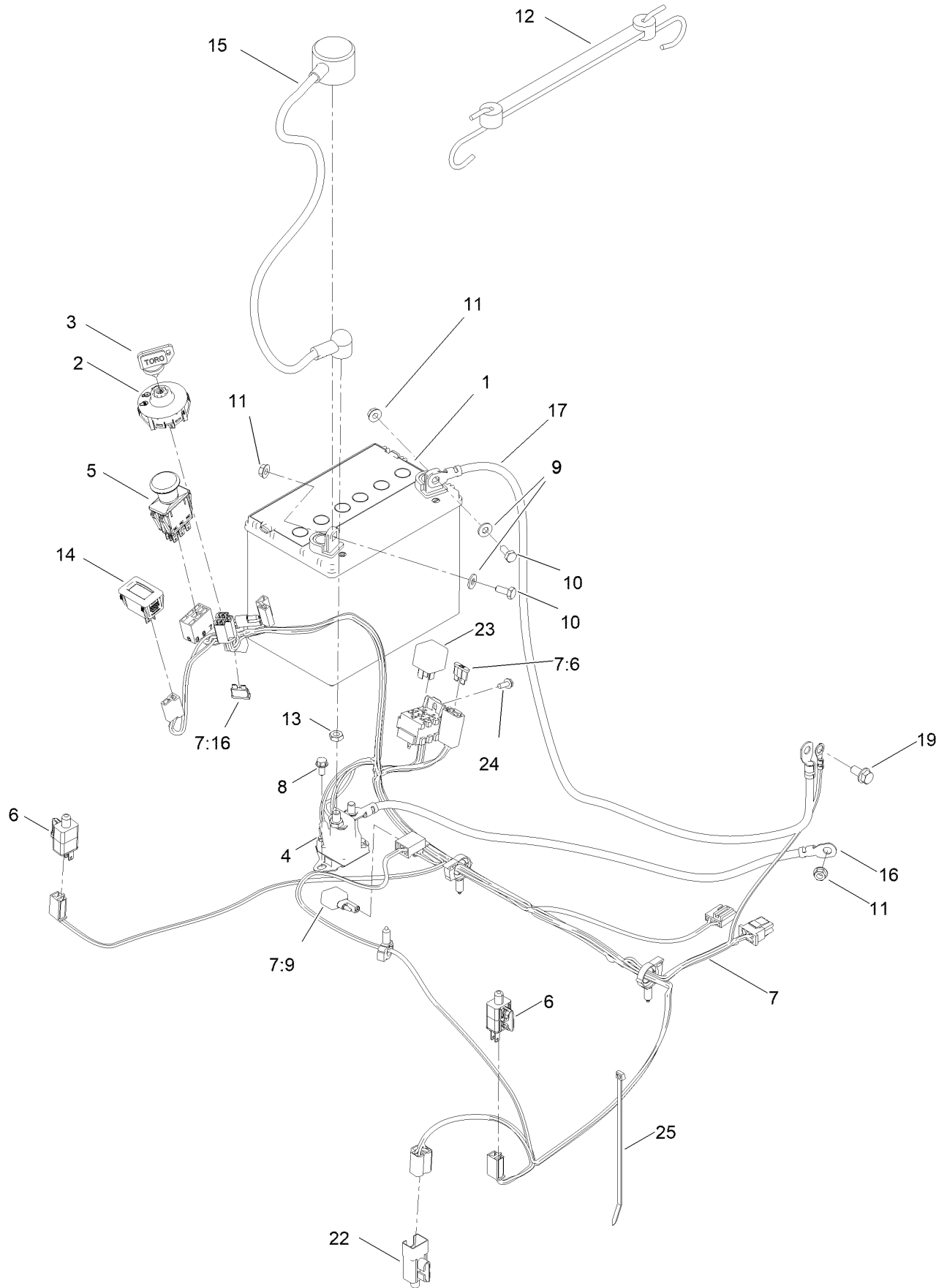


## Fuel Tank Assembly No. 144-5303 (continued)

<i>Ref.</i>	<i>Part Number</i>	<i>Qty.</i>	<i>Description</i>
2	46-6560	2	Bushing
3	144-5302	1	Fitting-Elbow 90
4	133-9269	1	Grommet-Fuel

<i>Ref.</i>	<i>Part Number</i>	<i>Qty.</i>	<i>Description</i>
5	133-9270	1	Gauge-Fuel
6	121-0793	1	Connector-Elbow, 90 DEG

# Electrical Assembly

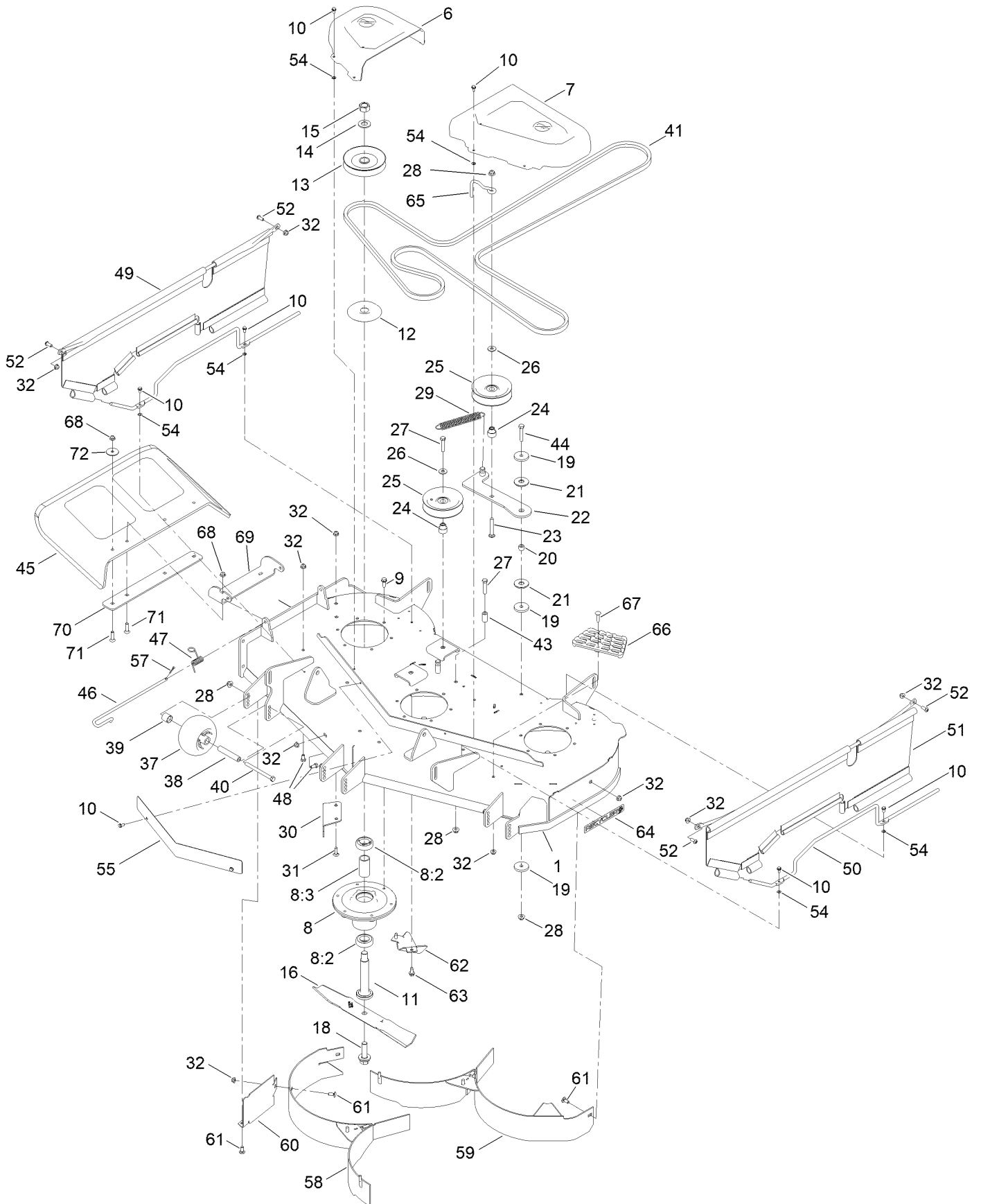




## Electrical Assembly (continued)

<i>Ref.</i>	<i>Part Number</i>	<i>Qty.</i>	<i>Description</i>	<i>Ref.</i>	<i>Part Number</i>	<i>Qty.</i>	<i>Description</i>
1	104-8162	1	Battery	11	139-2575	3	Nut-HF
2	137-4100	1	Switch-Ignition	12	104-2466	1	Holddown-Battery
3	63-8360	1	Key-Ignition	13	139-2580	2	Nut-HJ
4	117-1197	1	Solenoid	14	120-2244	1	Hourmeter
5	103-5221	1	Switch-PTO	15	115-3864	1	Cable-Battery, Positive
6	110-6765	2	Switch	16	144-5276	1	Cable-Battery, Rd ASM
7	137-7002	1	Harness-Wire	17	117-7240	1	Cable-Battery, Negative
7:6	109102	1	Fuse-Blade, 25 Amp	19	139-2593	1	Screw-HHF
7:9	100-4918	1	Diode	22	99-7408	1	Switch-Reverse
7:16	109355	1	Fuse-Blade, 15 Amp	23	98-7249	1	Relay
8	32144-4	2	Screw-HWH	24	139-1713	1	Screw-Taptite
9	120-9679	2	Washer-Flat	25	614249	1	Tie-Cable
10	137-3041	2	Screw-HH				

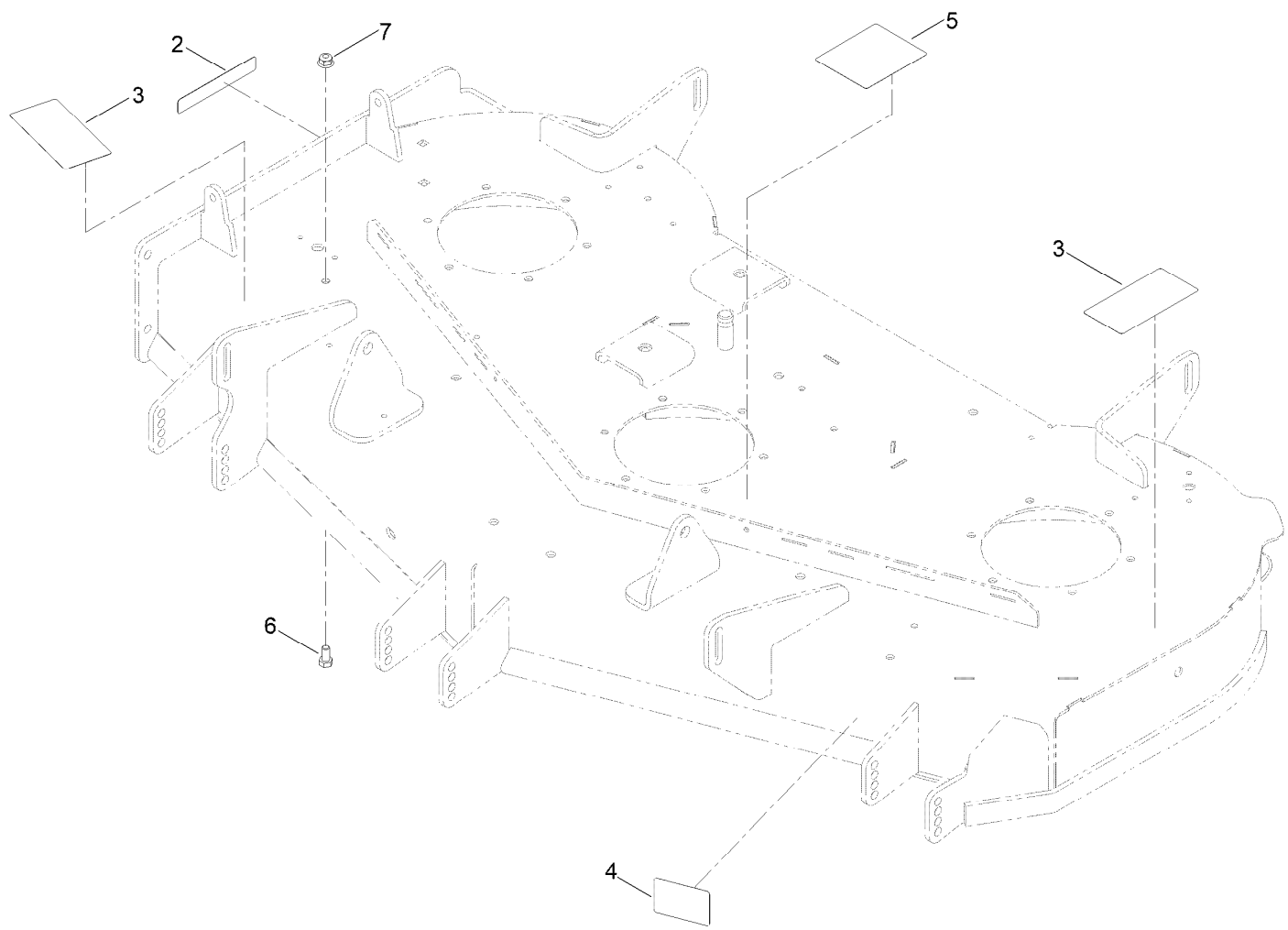
# 48in Deck Assembly



## 48in Deck Assembly (continued)

<i>Ref.</i>	<i>Part Number</i>	<i>Qty.</i>	<i>Description</i>	<i>Ref.</i>	<i>Part Number</i>	<i>Qty.</i>	<i>Description</i>
1	140-0352	1	48In Deck ASM	39	104-0892	3	Spacer-Axle, Rear
6	133-9283	1	Cover-Belt, RH	40	139-2592	3	Screw-HH
7	133-9282	1	Cover-Belt, LH	41	133-7075	1	V-Belt
8	139-2357	3	Spindle ASM	43	138-7230	1	Spacer-Fender
8:2	116-0720	2	Bearing-Ball	44	HDW07736	1	HHCS 3/8-16 X 2, GR5, Cz
8:3	138-7220	1	Spacer-Bearing	45	117-1270	1	Deflector
9	32144-41	18	Screw-Taptite	46	138-7231	1	Pin-Chute
10	32144-4	14	Screw-HWH	47	138-7232	1	Spring-Torsion
11	115-2642	3	Shaft-Spindle	48	139-2585	3	Screw-HH
12	138-7221	3	Shield-Bearing	49	133-9261	2	Rod-Support, Upper
13	139-7456	3	Pulley	50	136-4221	2	Rod-Support, Lower
14	7-4150	3	Washer	51	136-4234	2	Side Guard ASM
15	139-2579	3	Nut-Hex	52	3274-55	4	Screw-HSBH
16	117-7278-03	3	Blade-Mulch, 16.50 Inch	54	1-803037	12	Nut-Retaining
18	145-0412	3	Screw-Blade	55	131-3900-03	1	Shield-Front
19	139-5802	3	Washer-Plain	57	139-2614	1	Pin-Cotter
20	138-7225	1	Spacer	58	136-4205-03	1	Baffle-Recycler
21	114-0463	2	Washer-Friction, Composite	59	136-7479-03	1	Baffle-Recycler
22	138-7226	1	Idler Arm ASM	60	119-3352-03	1	Guard-Baffle
23	139-2591	1	Screw-CARR	61	137-3061	4	Bolt-CARR
24	138-7227	3	Bushing-Idler	62	119-3389-03	2	Kicker-Flanged
25	132-4718	3	Pulley-Idler, Flat	63	32144-70	4	Screw-HWHTF
26	139-2632	3	Washer-Hardened	64	119-2368	1	Decal-Recycler
27	139-2602	3	Screw-HH	65	136-5615	1	Guide-Belt, Idler
28	119-4042	6	Nut-HF, NI	66	126-4781-03	1	Step-Deck
29	138-7228	1	Spring-Extension	67	139-1702	1	Bolt-Carriage
30	117-7418-03	1	Baffle-Cutoff	68	119-4041	6	Nut-HF
31	139-2587	2	Screw-CARR	69	114-1648-03	1	Bracket-Deflector, Upper
32	119-4041	16	Nut-HF	70	115-5048-03	1	Plate-Deflector
37	1-603299	3	Roller-Scalp, Anti	71	139-1702	4	Bolt-Carriage
38	138-7229	3	Tube-Spanner	72	115-1151	2	Washer-Flat

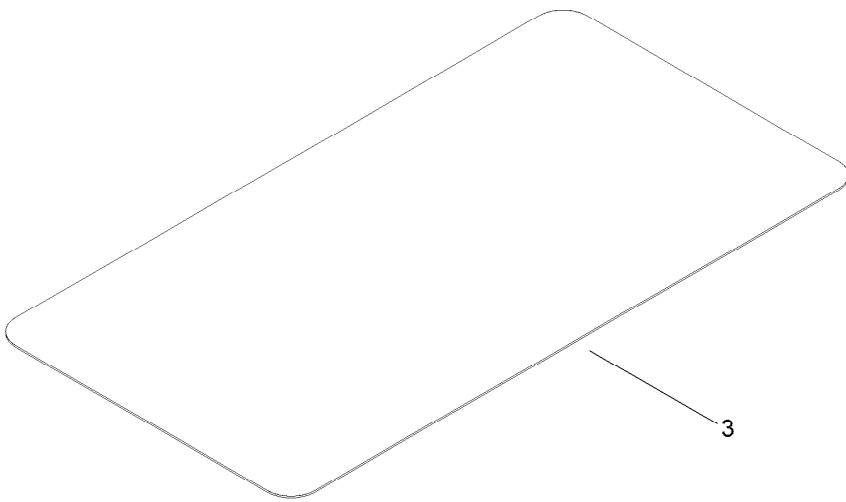
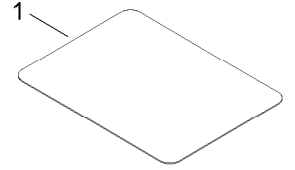
# Deck Decal Assembly No. 140-0352



## Deck Decal Assembly No. 140-0352 (continued)

<i>Ref.</i>	<i>Part Number</i>	<i>Qty.</i>	<i>Description</i>	<i>Ref.</i>	<i>Part Number</i>	<i>Qty.</i>	<i>Description</i>
2	130-0731	1	Decal-Danger	5	117-1194	1	Decal-Routing, Belt
3	132-0872	2	Decal-Danger, Deck	6	322-2	1	Screw-HH
4	130-0765	1	Decal-Scalp, Anti	7	104-8300	1	Nut-HF, NI

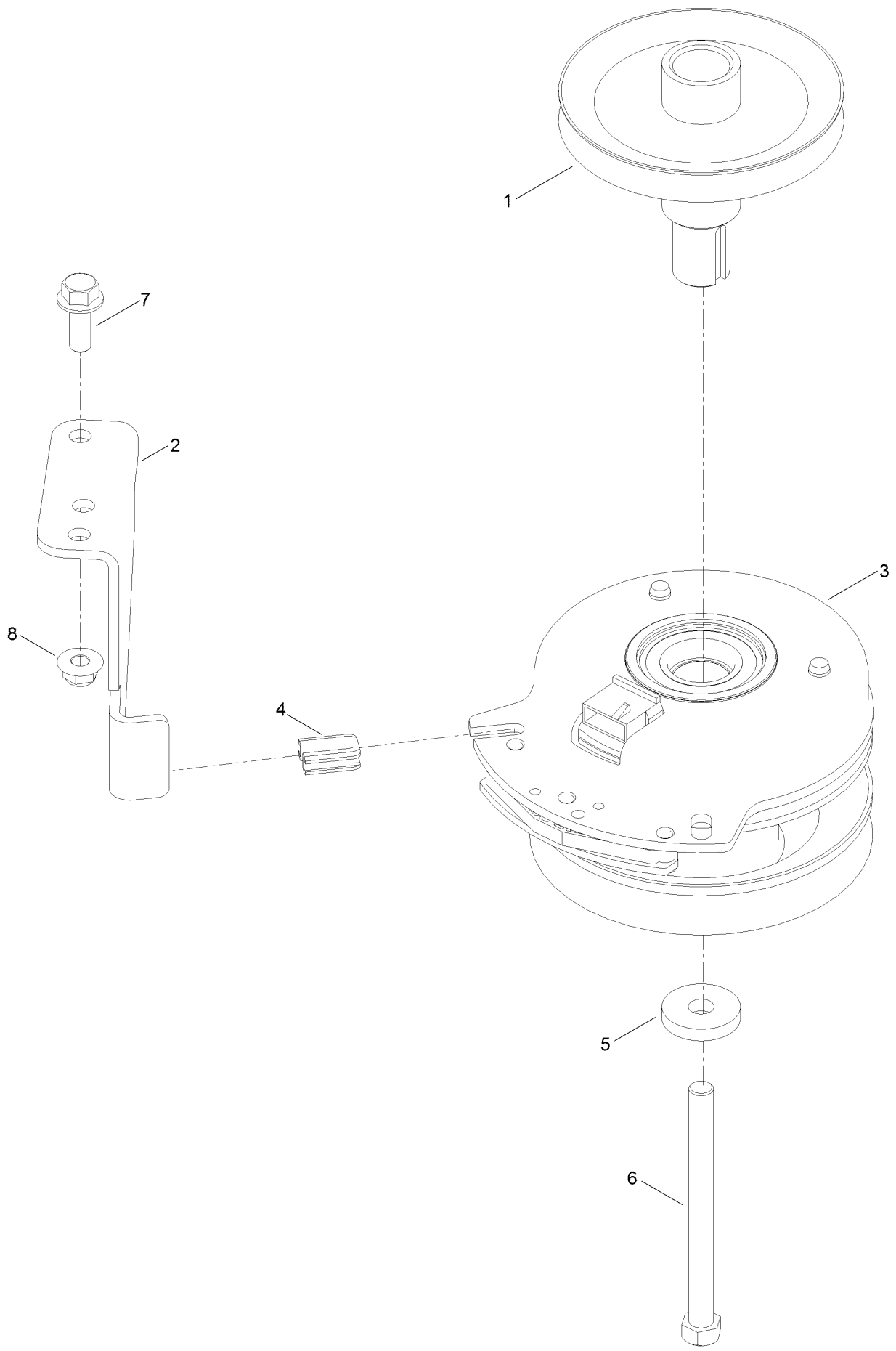
# Frame Decal Assembly



## Frame Decal Assembly (continued)

<i>Ref.</i>	<i>Part Number</i>	<i>Qty.</i>	<i>Description</i>
1	136-5596	1	Decal-Maintenance
3	140-3493	1	Decal-HOC

# Clutch Assembly





## Clutch Assembly (continued)

<i>Ref.</i>	<i>Part Number</i>	<i>Qty.</i>	<i>Description</i>	<i>Ref.</i>	<i>Part Number</i>	<i>Qty.</i>	<i>Description</i>
1	138-9831	1	Pulley-Engine	5	139-2626	1	Washer
2	137-7000	1	Stop-Clutch (Wide)	6	139-2573	1	Screw-HH
3	127-3410	1	Clutch-PTO	7	139-2597	1	Screw-HHF
4	120-2217	1	Isolator-Clutch	8	119-4042	1	Nut-HF, NI

# Attachments and Accessories

## For 74875 Titan X4850 Riding Mower

<b>Product Name</b>	<b>Model/Part</b>
Powered Bagger.....	79346
Mount Kit .....	140-5125
Weight Kit .....	140-5084
Light Kit.....	136-7493
Bucket Mount Kit.....	140-2066
5 Gallon Bucket .....	133-2533
ROPS Kit .....	139-2638
Jack Kit.....	127-6666
Striping Kit 48" .....	140-5119
Bagging Enhancement Kit 48" .....	140-5121
Deck Lift Assist Kit .....	140-5123
Jack Mount Kit.....	140-5124
Product Cover.....	137-7012
Sunshade .....	137-7011
Fuel Stabilizer .05 oz .....	130-2393
Toro Premium Fuel Treatment 12 Oz Bottle .....	131-6572
4-Cycle Fuel, Snow And Lawn 32oz Can .....	131-3823
Toro 4-Cycle SAE 30 Oil (32oz Bottle) .....	38903
10w30 4-Cycle Engine Oil (32oz Bottle).....	38280
CE Bagger Compliance Kit .....	137-5001
HD Bagger Cover Kit .....	140-5036
Residential Z Slope Sensor Kit .....	79400
Hydro Service Kit.....	144-5347
Flat Free Caster Wheel Kit.....	145-0489
Oil-30/10W-30 Synthetic (Quart).....	138-6053

**Notes:**



**Count on it.**