



**Count on it.**

**Parts Catalog**

**MB TX 2500S**  
**Tracked Mud Buggy**

Model No. 68141—Serial No. 412337923 and Up



# Ordering Replacement Parts

To order replacement parts, please supply the part number, the quantity, and the description of each part desired.

## Understanding Reference Numbers

Each identified part in an illustration has a reference number. The reference number for a part also appears in the parts list, along with other information about the part.

This catalog uses two special reference number formats, one to indicate parts in a service assembly and another to indicate the quantity of a given part in an illustration.

## Service Assembly Reference Numbers

Parts in service assemblies have reference numbers in the form a:b. The a represents the reference number of the entire service assembly and the b represents a sequential number unique to each part within the service assembly.

For example, a wheel assembly might be identified by reference number 6, the tire by 6:1, the valve by 6:2, and the wheel by 6:3. When you order the assembly identified by reference number 6, you receive all parts identified by reference numbers 6:1, 6:2, and 6:3. However, you may also order any part individually. Reference numbers of this type appear in illustration and in parts lists.

## Reference Numbers Indicating Quantity

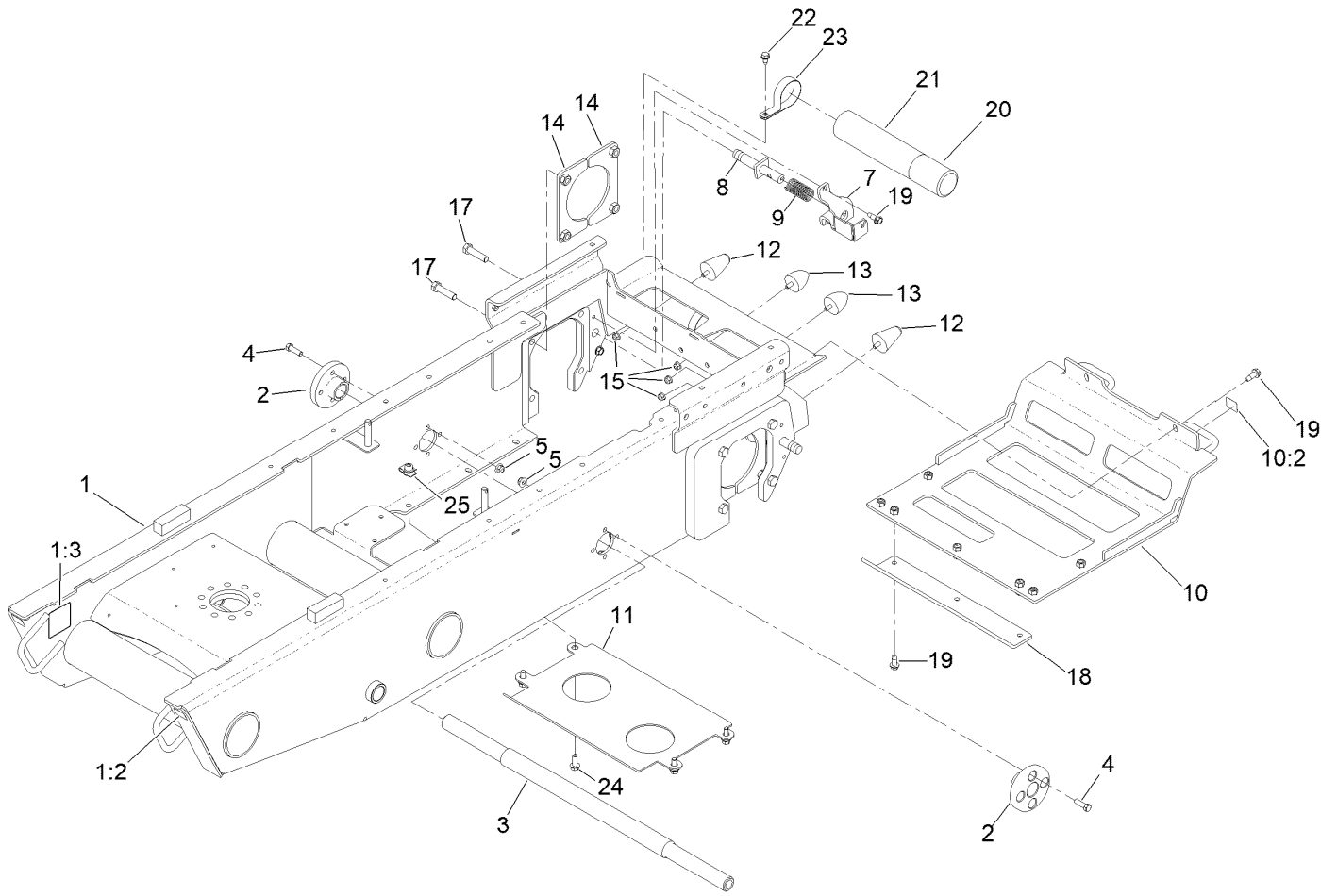
In an illustration, if a reference number indicates more than one part, the reference number has the form nX y. The n represents the quantity of the part, the X is the multiplication symbol, and the y represents the reference number.

For example, in an illustration, the reference number 2X 37 means that two of the parts identified by reference number 37 are indicated.

# Contents

Frame Assembly	4
Hydraulic Pump Assembly	6
LH Hydro Transaxle Assembly No. 132-8802	8
RH Hydro Transaxle Assembly No. 132-8803	10
Hydraulic Cylinder Assembly No. 140-3558	12
Hydraulic Manifold Assembly	14
Manifold Assembly No 140-3572	16
Engine Assembly	18
Hydraulic Gear Pump Assembly No. 139-7183	20
Fuel Tank and Tower Assembly	22
Track Assembly	24
Hopper Assembly	26
Electrical Harness Assembly	28
Control Assembly	30
Platform Assembly	32
Hood Assembly	34
Attachments and Accessories	36

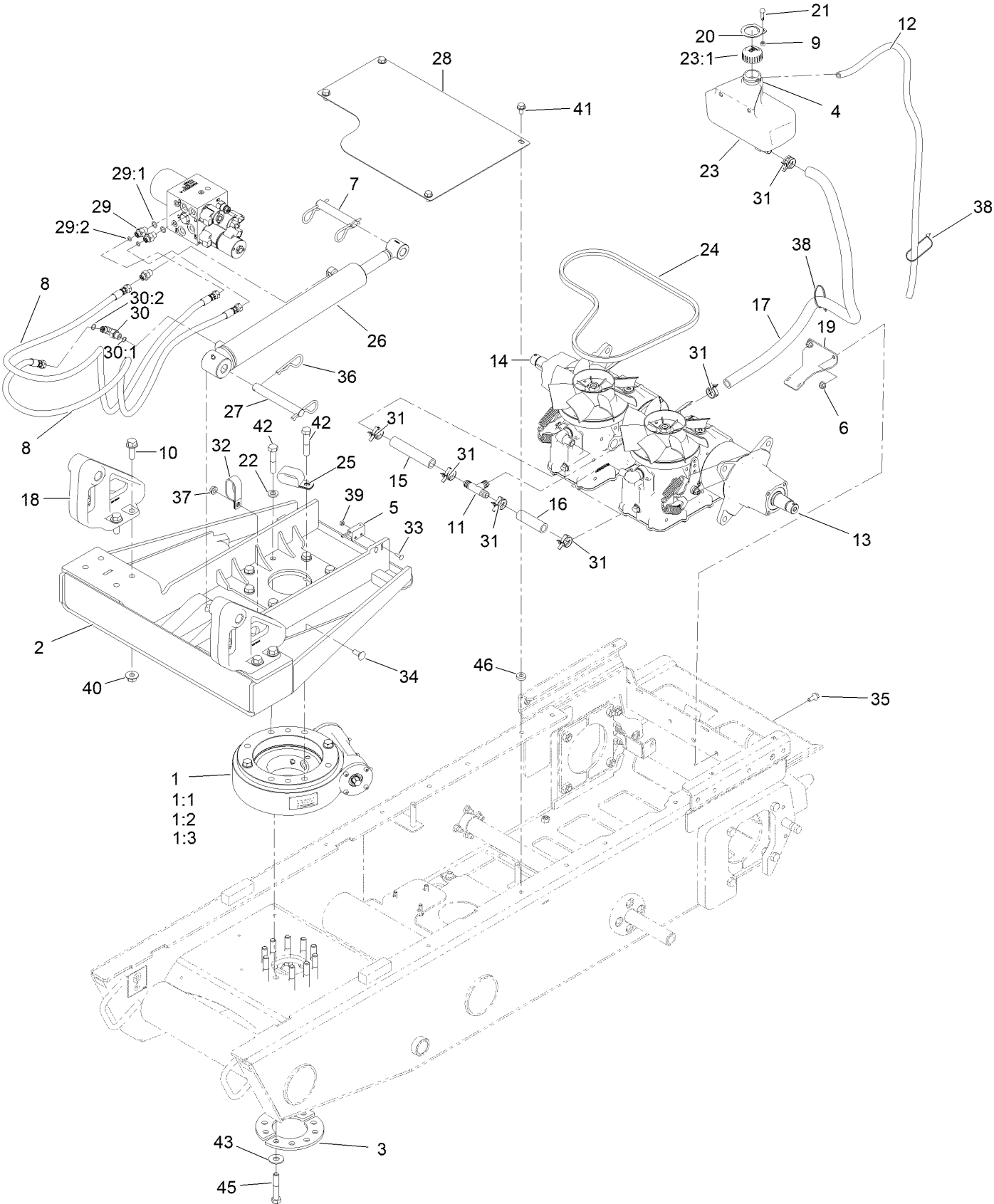
# Frame Assembly



## Frame Assembly (continued)

<i>Ref.</i>	<i>Part Number</i>	<i>Qty.</i>	<i>Description</i>	<i>Ref.</i>	<i>Part Number</i>	<i>Qty.</i>	<i>Description</i>
1	139-7197	1	Frame ASM- Swivel	12	114-1925	2	Bumper-Rubber
1:2	132-9051	2	Decal-Tiedown	13	114-1926	2	Bumper-Rubber
1:3	125-4967	2	Decal-Lift Here	14	132-8936-0P	4	Hydro Mounting Plate ASM
2	132-9075	2	Hub-Mount, Track	15	104-8300	4	Nut-HF, NI
3	125-0425	1	Shaft-Track	17	325-8	8	Screw-HH
4	323-7	8	Screw-HH	18	136-4611-03	1	Plate-Skid
5	104-8301	8	Nut-HF, NI	19	105-6245	13	Screw-Tapping
7	130-5284-03	2	Bracket-Brake	20	104-7048	1	Cap-Housing
8	132-8866	2	Shaft-Brake	21	104-7050	1	Tube-Manual
9	125-0344	2	Spring-Compression	22	32144-70	2	Screw-HWHTF
10	136-4651	1	Plate-Side	23	2412-133	2	Clamp-R
10:2	132-9051	2	Decal-Tiedown	24	3234-11	4	Screw-HHF
11	145-1158-03	1	Skid Plate, Hydraulic Tank	25	105-4886	4	Nut-Tinnerman

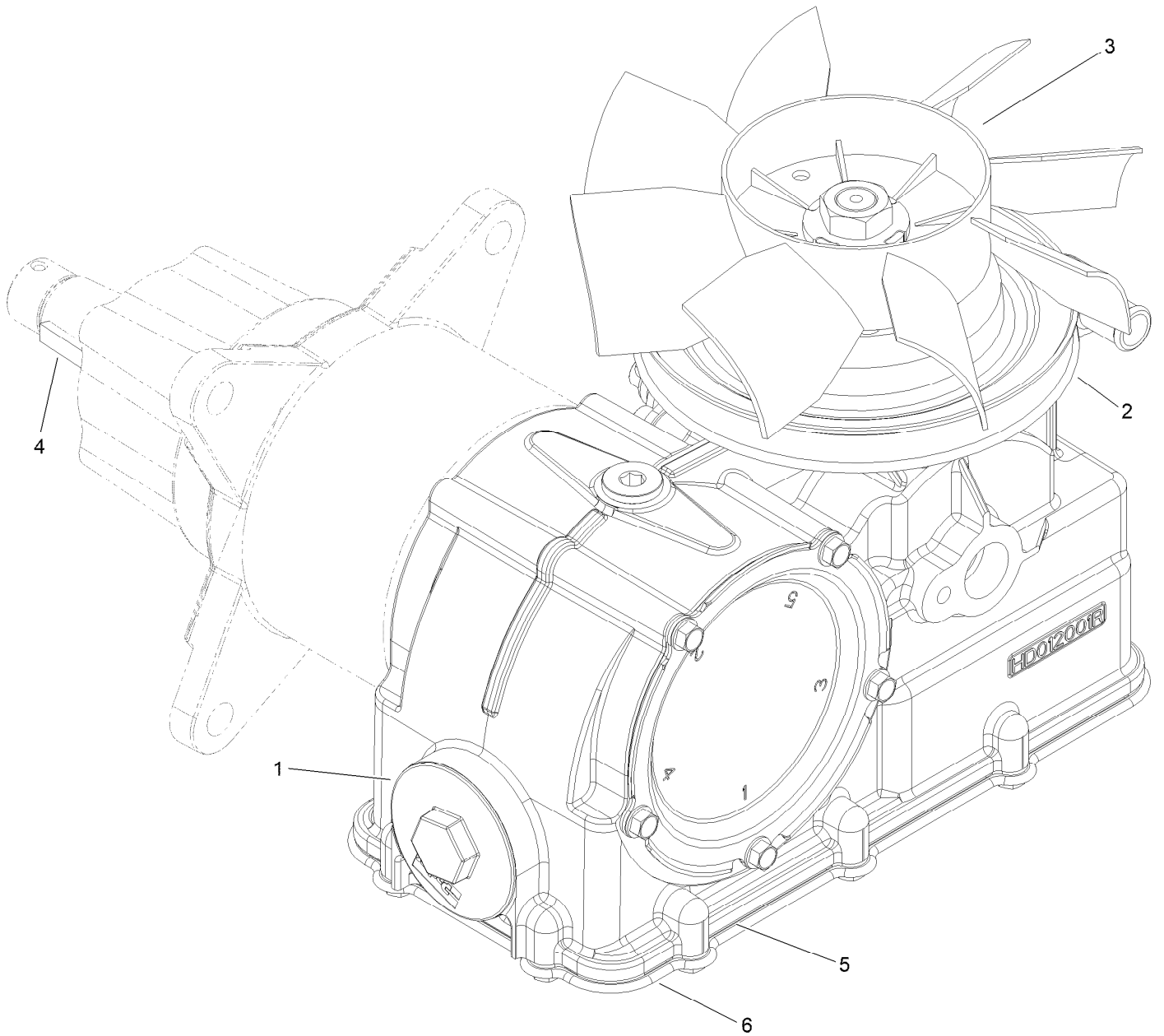
# Hydraulic Pump Assembly



## Hydraulic Pump Assembly (continued)

<i>Ref.</i>	<i>Part Number</i>	<i>Qty.</i>	<i>Description</i>	<i>Ref.</i>	<i>Part Number</i>	<i>Qty.</i>	<i>Description</i>
1	139-7184	1	Drive-Slew	23:1	133-8677	1	Cap-Vented
1:1	140-3579	1	Motor-HYD, Slew	24	139-1295	1	Belt-V
1:2	139-7235	1	Seal-Lip	25	139-7218	1	Clamp-R, Double
1:3	139-7236	1	Seal-Top Plate	26	140-3558	1	Cylinder, Hydraulic
2	140-2347-03	1	Top Swivel Plate ASM [black]	27	140-3582	1	Pin,Plain
3	139-7228-03	2	Spacer-Slew Mount	28	140-7204-03	1	Shield_cover
4	92-2379	1	Clamp-Hose	29	340-1	3	Fitting-Straight
5	100-1270	1	Switch-Proximity	29:1	237-21	1	O-Ring
6	104-8300	2	Nut-HF, NI	29:2	237-42	1	O-Ring
7	105-7456	1	Pin-Pivot	30	340-82	1	Fitting-Elbow, 90 DEG
8	121-4347	2	Hose-HYD	30:1	237-42	1	O-Ring
9	126-0416	1	Spacer	30:2	237-21	1	O-Ring
10	130-6482	8	Screw-HHF	31	144-2248	6	Clamp-Sc Band
11	132-5127	1	Tee	32	2412-137	1	Clamp-R, Double
12	132-7563	1	Hose-Breather, Transmission	33	3229-20	2	Screw-CARR
13	132-8802	1	LH Hydro Transaxle ASM	34	3231-2	1	Bolt-CARR
14	132-8803	1	RH Hydro Transaxle ASM	35	3234-47	5	Screw-HHF
15	132-8933	1	Hose-HYD, Hydro	36	3290-256	4	Pin-Hair
16	132-8934	1	Hose-HYD, Hydro	37	3290-357	1	Nut-HSF
17	132-8935	1	Hose-HYD, Hydro	38	3290-378	4	Tie-Cable
18	132-9025-03	2	Pivot-Dump	39	3296-2	2	Nut-Lock, NI
19	132-9032-03	1	Bracket-Hose Retainer	40	32128-52	8	Nut-Lock, Flange
20	136-0549-01	1	Lock-Tank	41	32144-15	4	Screw-HHFTF
21	137-3711	1	Screw	42	AU426-840	8	Screw-HH
22	137-5550	7	Washer-Thrust	43	AU495-81163	10	Washer-Flat
23	138-3164	1	Tank-Hydraulic	45	325-34	10	Screw-HH
				46	5-0652	4	Spacer

# LH Hydro Transaxle Assembly No. 132-8802



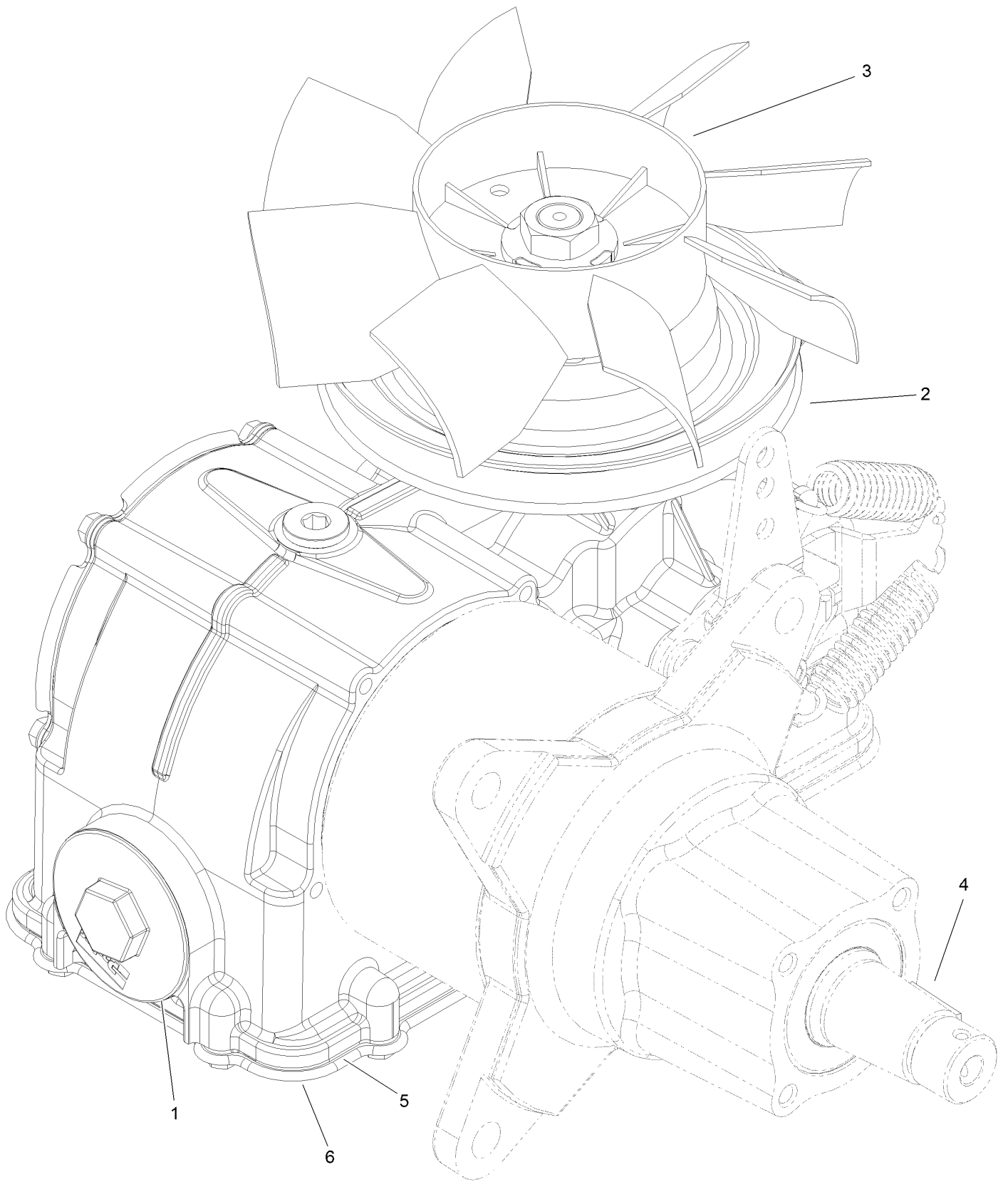


# LH Hydro Transaxle Assembly No. 132-8802 (continued)

<i>Ref.</i>	<i>Part Number</i>	<i>Qty.</i>	<i>Description</i>	<i>Ref.</i>	<i>Part Number</i>	<i>Qty.</i>	<i>Description</i>
1	137-3772	1	Filter	6	139-7233	1	Cover-Service
2	137-3773	1	Pulley	7	145-1155	1	Kit-Seal, Motor ●
3	137-3774	1	Fan (8.3 Inch)	8	145-1156	1	Seal-Shaft ●
4	3257-42	1	Key-Woodruff	9	145-1166	1	Rtn ASM (LH) ●
5	140-1148	1	Gasket-Cover, Bottom				

● Not illustrated

# RH Hydro Transaxle Assembly No. 132-8803

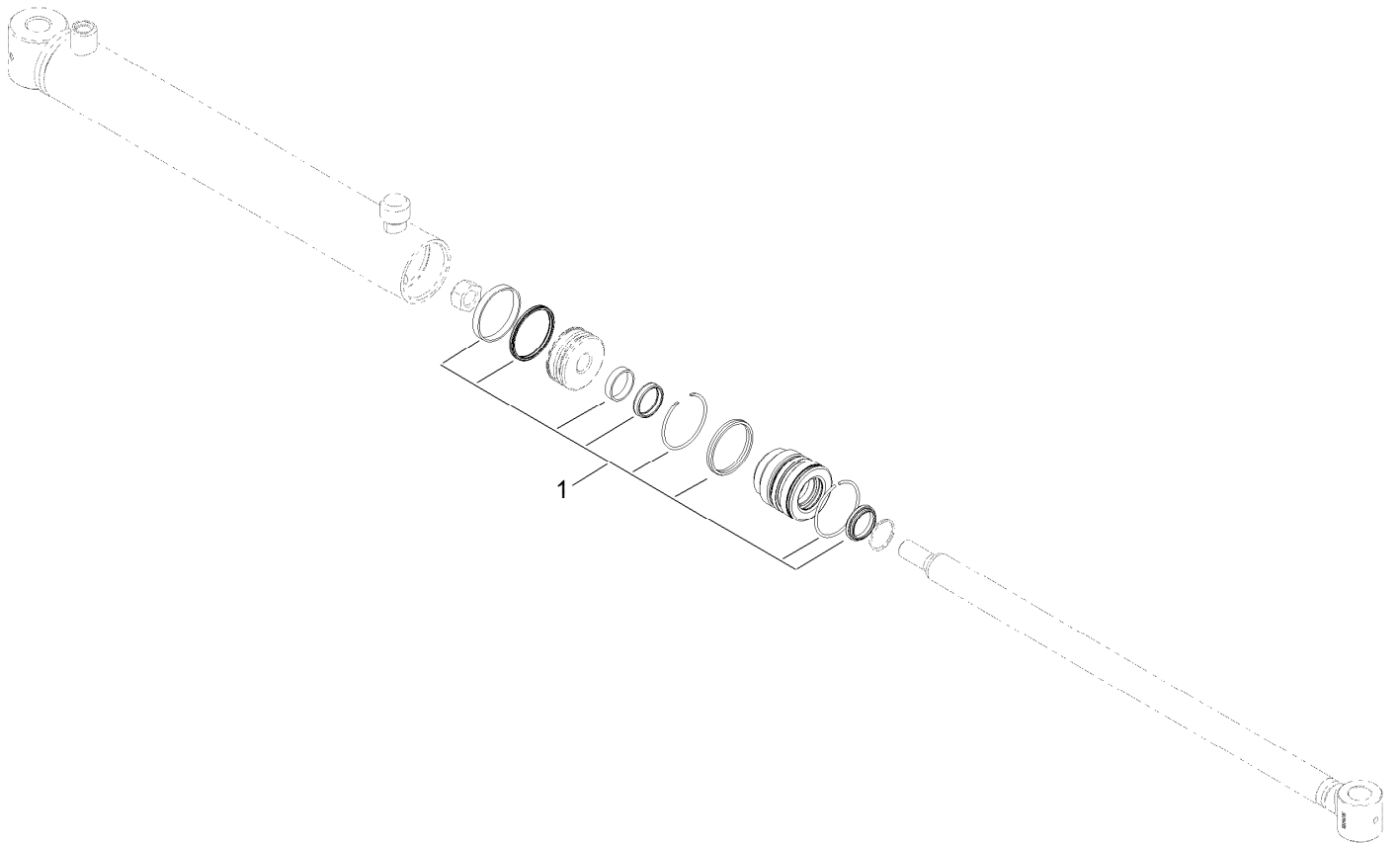


# RH Hydro Transaxle Assembly No. 132-8803 (continued)

<i>Ref.</i>	<i>Part Number</i>	<i>Qty.</i>	<i>Description</i>	<i>Ref.</i>	<i>Part Number</i>	<i>Qty.</i>	<i>Description</i>
1	137-3772	1	Filter	6	139-7233	1	Cover-Service
2	137-3773	1	Pulley	7	145-1155	1	Kit-Seal, Motor ●
3	137-3774	1	Fan (8.3 Inch)	8	145-1156	1	Seal-Shaft ●
4	3257-42	1	Key-Woodruff	9	145-1167	1	Rtn ASM (RH) ●
5	140-1148	1	Gasket-Cover, Bottom				

● Not illustrated

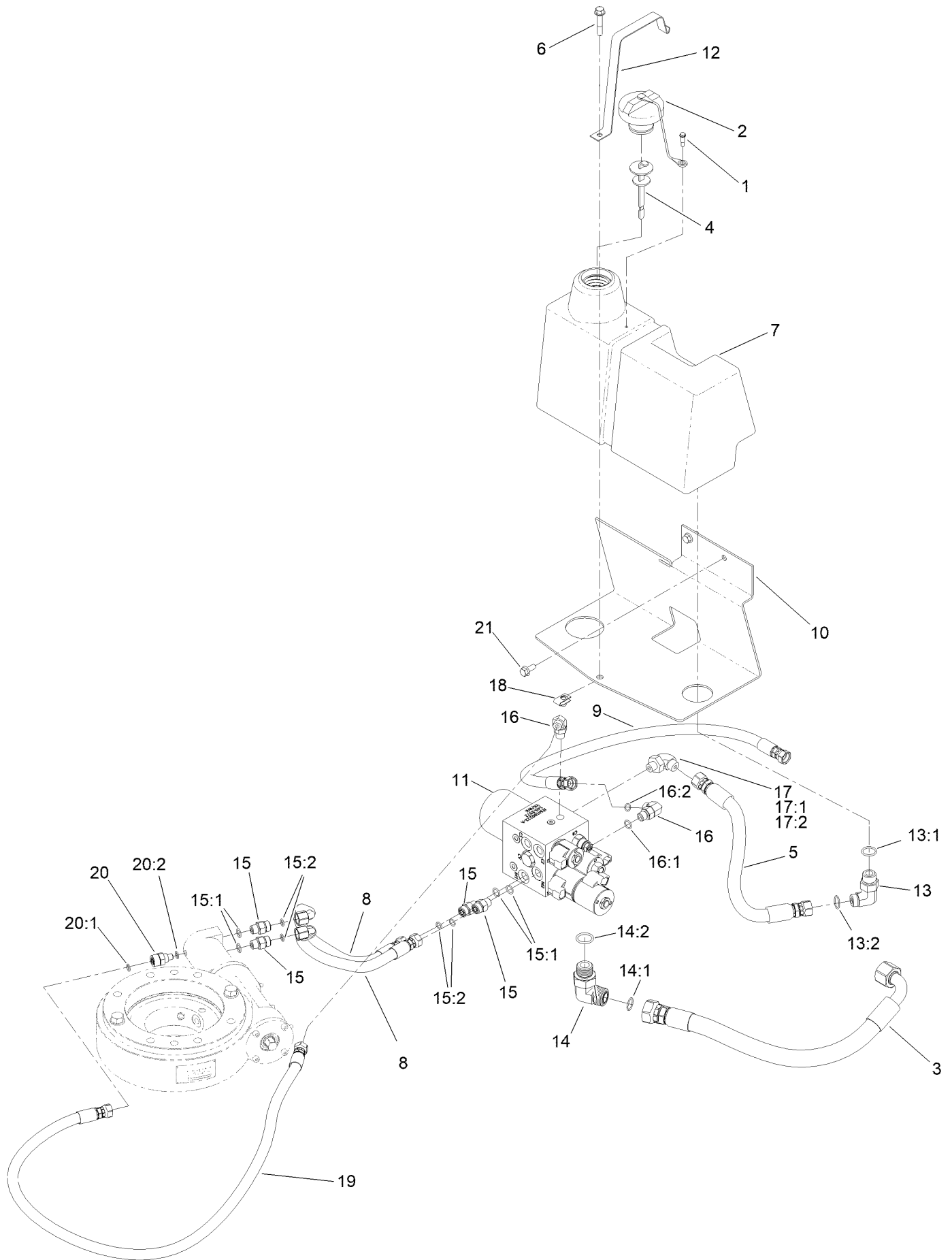
# Hydraulic Cylinder Assembly No. 140-3558



# Hydraulic Cylinder Assembly No. 140-3558 (continued)

<i>Ref.</i>	<i>Part Number</i>	<i>Qty.</i>	<i>Description</i>
1	137-1813	1	Seal Repair Kit

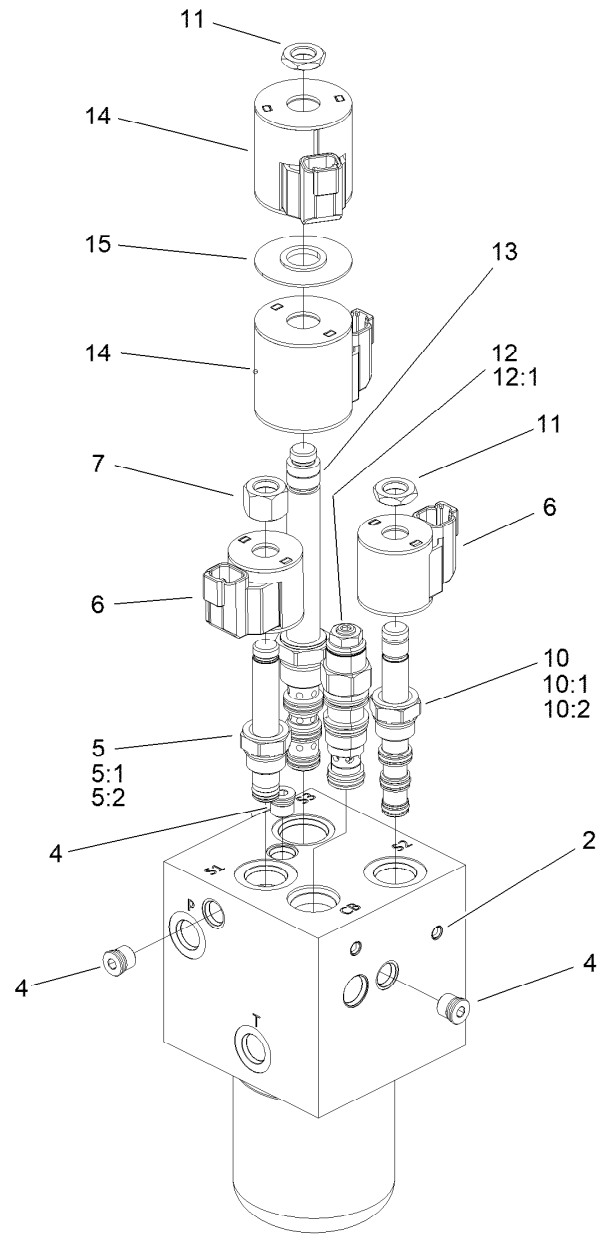
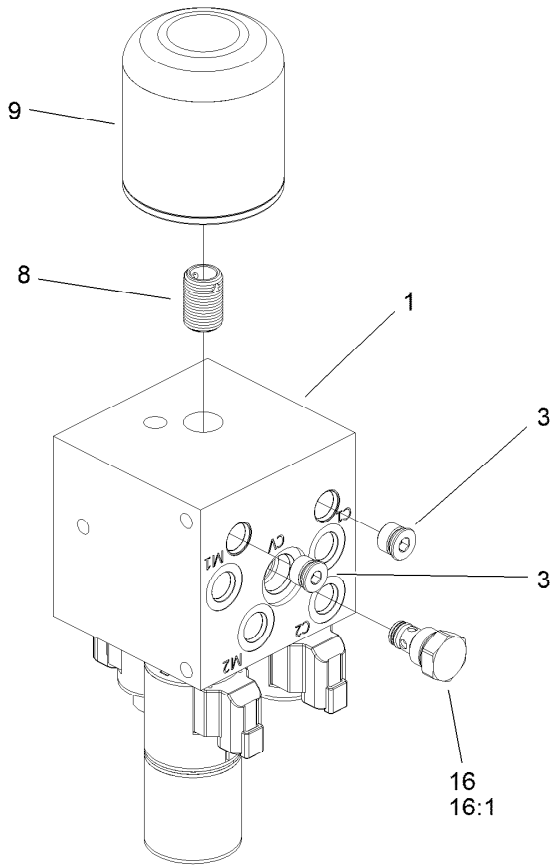
# Hydraulic Manifold Assembly



## Hydraulic Manifold Assembly (continued)

<i>Ref.</i>	<i>Part Number</i>	<i>Qty.</i>	<i>Description</i>	<i>Ref.</i>	<i>Part Number</i>	<i>Qty.</i>	<i>Description</i>
1	57-5420	1	Screw-Shoulder	14:2	237-81	1	O-Ring
2	93-7160	1	Cap-Oil, HYD	15	340-2	4	Fitting-Straight
3	100-5579	1	Hose ASM	15:1	237-22	1	O-Ring
4	106-8811	1	Dipstick ASM	15:2	237-42	1	O-Ring
5	117-0729	1	Hose ASM	16	340-77	2	Fitting-Elbow, 90 DEG
6	94-5780	1	Screw-HWH	16:1	237-22	1	O-Ring
7	127-4162	1	Reservoir-Oil, HYD	16:2	237-42	1	O-Ring
8	144-7466	2	Hose ASM-HYD	17	340-99	1	Fitting-HYD, 90 DEG
9	133-2260	1	Hose ASM	17:1	237-30	1	O-Ring
10	140-3552-03	1	Support - Tank, HYD	17:2	237-42	1	O-Ring
11	140-3572	1	Manifold-Hydraulic ASM	18	94-2413	1	Nut-U
12	140-7639-03	1	Strap-Hydraulic Tank	19	144-7464	1	Hose ASM-HYD
13	340-105	1	Fitting-Elbow, 90 DEG	20	98-1282	1	Adapter-HYD, Straight
13:1	237-80	1	O-Ring	20:1	237-22	1	O-Ring
13:2	237-30	1	O-Ring	20:2	237-118	1	O-Ring
14	340-142	1	Fitting-Elbow, 90 DEG	21	3234-47	2	Screw-HHF
14:1	237-58	1	O-Ring				

# Manifold Assembly No 140-3572



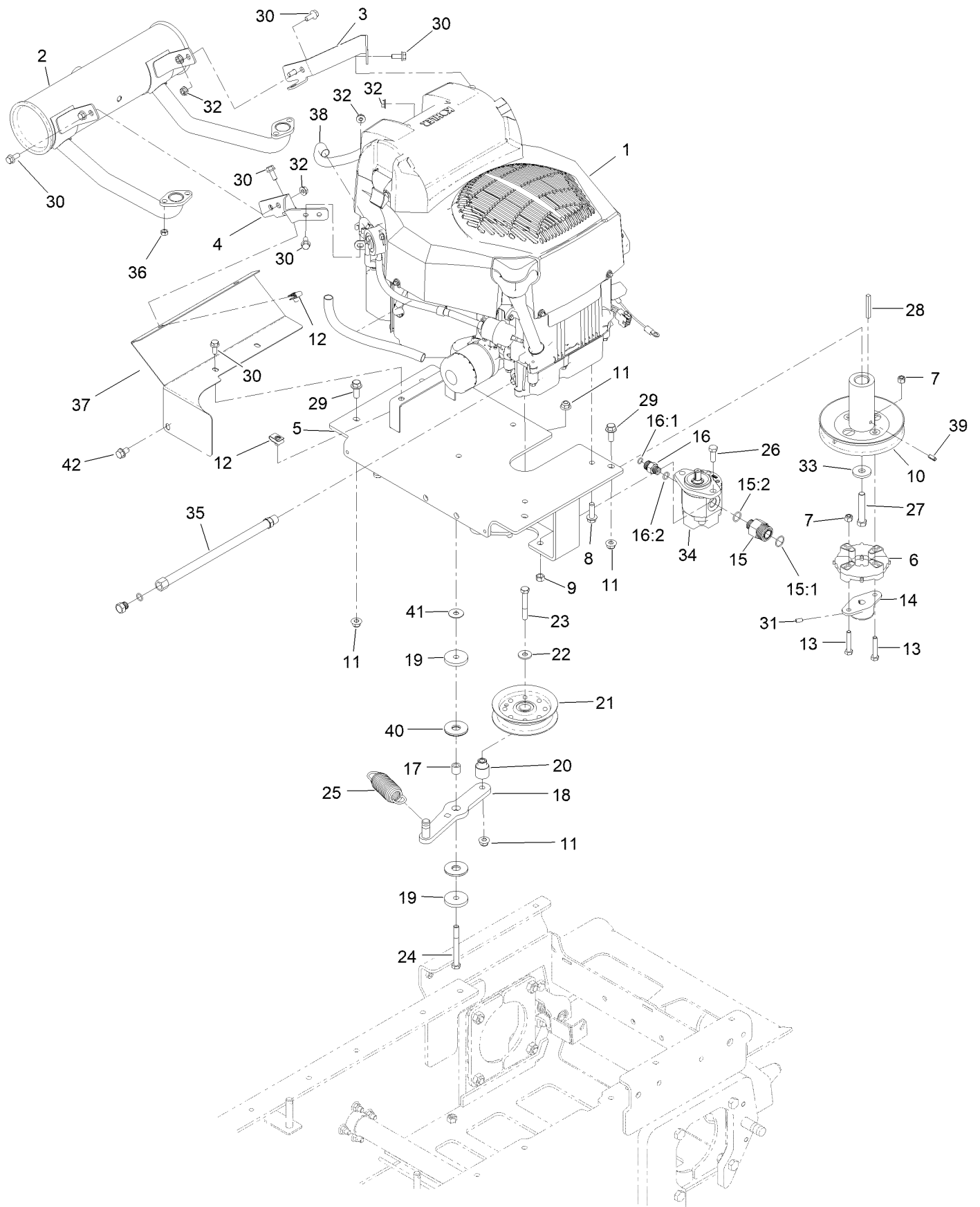


## Manifold Assembly No 140-3572 (continued)

<i>Ref.</i>	<i>Part Number</i>	<i>Qty.</i>	<i>Description</i>	<i>Ref.</i>	<i>Part Number</i>	<i>Qty.</i>	<i>Description</i>
1		1	Manifold Block ●	10	120-1665	1	Valve-Solenoid
2		1	Expander Plug ●	10:1	112-6520	1	Seal Kit
3	112-9213	2	Plug	10:2	110-2634	1	Nut-Coil
4	112-9212	3	Plug	11	110-2634	2	Nut-Coil
5	107-7517	1	Valve-Solenoid	12	114-5082	1	Valve-Balance, Counter
5:1	105-9156	1	Seal Kit	12:1	114-5083	1	Seal Kit
5:2	107-7812	1	Nut-Solenoid	13	139-7230	1	Valve-Solenoid
6	119-8036	2	Coil	14	119-4619	2	Coil-Solenoid
7	107-7812	1	Nut-Solenoid	15	117-8316	1	Spacer-E Coil
8	127-3885	1	Nipple-Filter	16	105-9321	1	Check Valve ASM
9	1-633750	1	Filter-Oil, HYD	16:1	105-9156	1	Seal Kit

● Not serviced separately

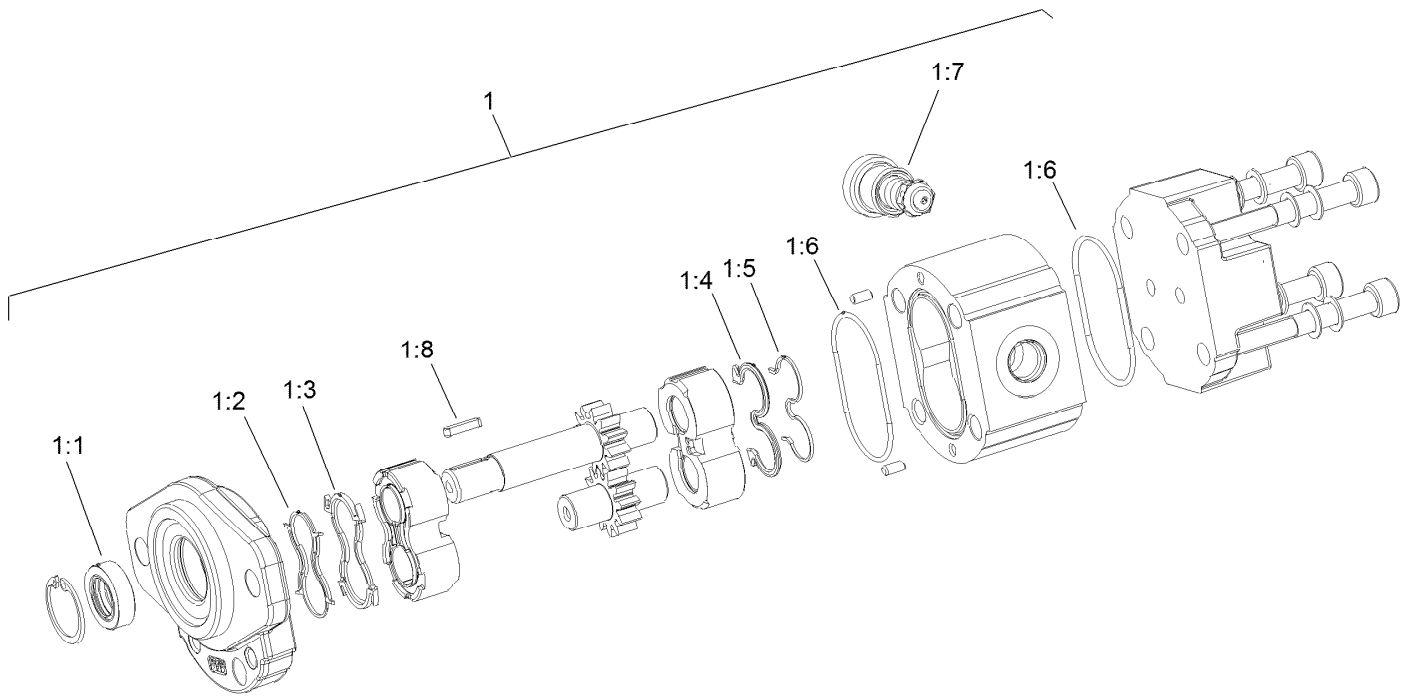
# Engine Assembly



## Engine Assembly (continued)

<i>Ref.</i>	<i>Part Number</i>	<i>Qty.</i>	<i>Description</i>	<i>Ref.</i>	<i>Part Number</i>	<i>Qty.</i>	<i>Description</i>
1	139-7245	1	Engine-Kohler, Zt740 [service]	20	132-9080	1	Bushing-Idler
2	132-8995	1	Muffler-Kohler	21	116-3626	1	Pulley-Idler
3	132-8916-03	1	Bracket-Muffler	22	80-6990	1	Washer-Hardened
4	132-8917-03	1	Bracket-Muffler	23	323-12	1	Screw-HH
5	132-8907-0P	1	Engine Plate ASM (Welded)	24	323-15	1	Screw-HH
6	119-0652	1	Coupler-Rubber	25	138-7110	1	Spring-Extension
7	3296-29	4	Nut-Lock, NI	26	323-6	2	Screw-HH
8	32144-109	4	Screw-Thd	27	3212-10	1	Screw-HH
9	125-5069	2	Nut-Hex	28	103-4177	1	Key
10	132-8938	1	Pulley-Engine	29	3234-42	4	Screw-HHF
11	104-8301	6	Nut-HF, NI	30	3234-47	12	Screw-HHF
12	115-7721	4	Nut-Clip, U	31	3245-9	2	Screw-Set, HSH
13	322-9	4	Screw-HH	32	32128-26	8	Nut-HF
14	132-9033	1	Hub-Pump	33	110-6147	1	Washer-Flat
15	98-9921	1	Fitting-Straight	34	139-7183	1	Pump-Gear
15:1	237-145	1	O-Ring	35	117-1261	1	Hose-Drain, Oil
15:2	237-79	1	O-Ring	36	114-3549	4	Nut
16	340-2	1	Fitting-Straight	37	139-7232-03	1	Shield-Muffler
16:1	237-22	1	O-Ring	38	136-4617	2	Sleeve-Thermal
16:2	237-42	1	O-Ring	39	32121-134	1	Pin-Roll
17	75-5270	1	Spacer-Knob, Seat	40	114-0463	2	Washer-Friction, Composite
18	132-9086-03	1	Arm-Idler	41	119-4150	1	Washer-Flat
19	110-9981	2	Washer-Plain	42	32144-15	2	Screw-HHFTF

# Hydraulic Gear Pump Assembly No. 139-7183

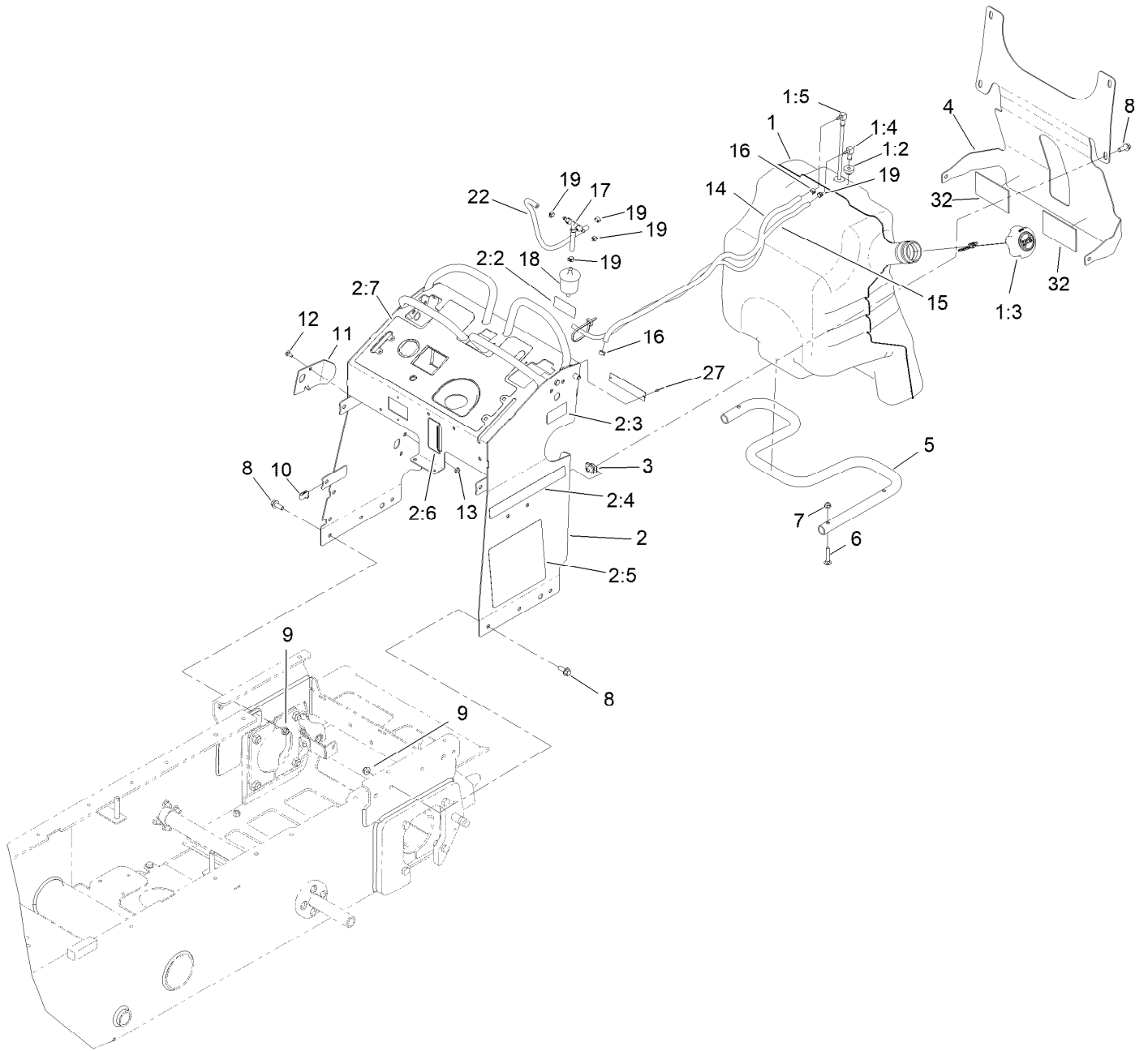


# Hydraulic Gear Pump Assembly No. 139-7183 (continued)

<i>Ref.</i>	<i>Part Number</i>	<i>Qty.</i>	<i>Description</i>	<i>Ref.</i>	<i>Part Number</i>	<i>Qty.</i>	<i>Description</i>
1	132-8969	1	Seal-Kit	1:5		1	Anti Extrusion ●
1:1		1	Shaft Seal ●	1:6		2	O-Ring Seal ●
1:2		1	Anti Extrusion ●	1:7		1	O-Ring Seal ●
1:3		1	Upper Seal ●	1:8		1	Key ●
1:4		1	Seal ●				

● Not serviced separately

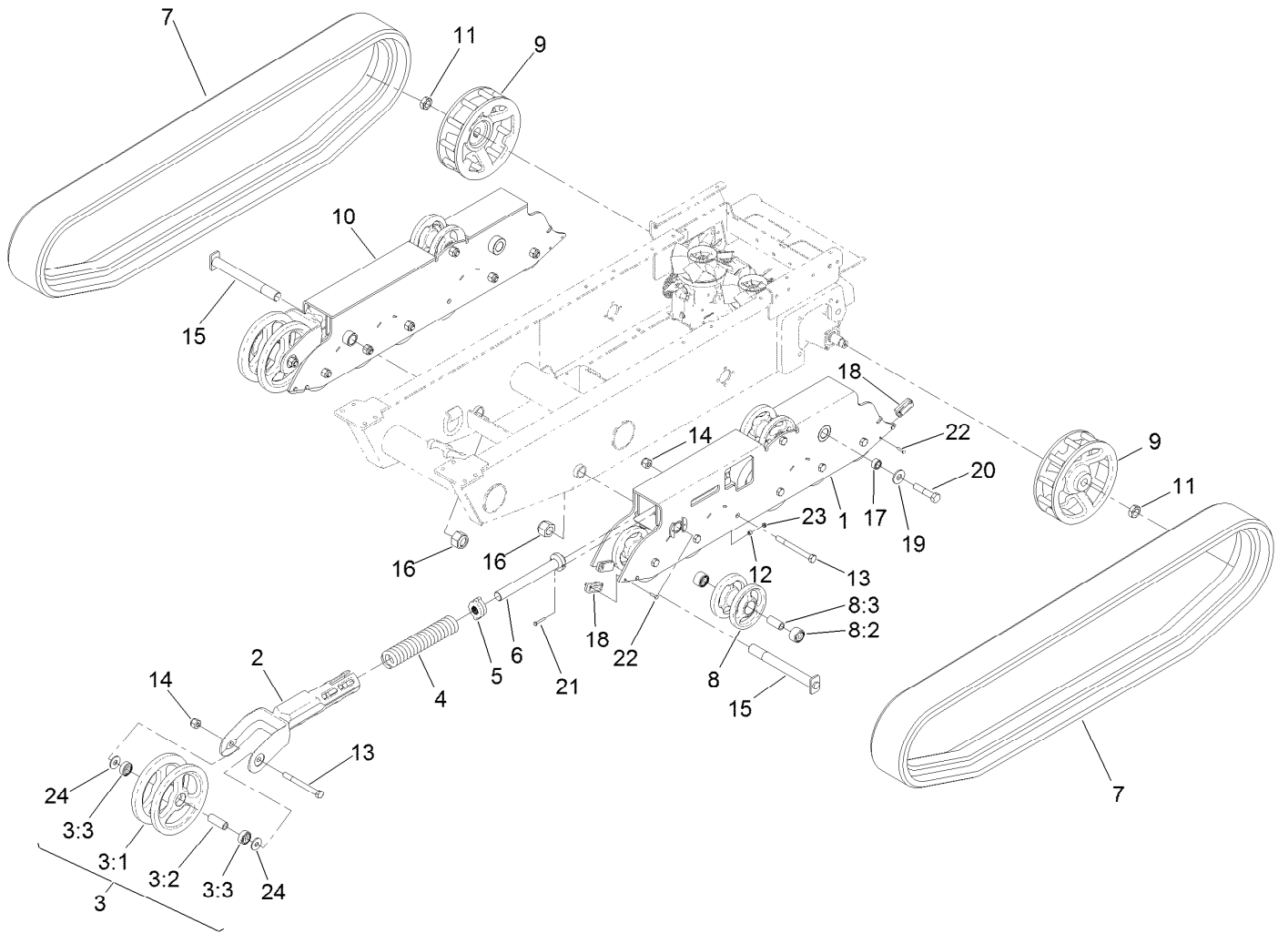
# Fuel Tank and Tower Assembly



## Fuel Tank and Tower Assembly (continued)

<i>Ref.</i>	<i>Part Number</i>	<i>Qty.</i>	<i>Description</i>	<i>Ref.</i>	<i>Part Number</i>	<i>Qty.</i>	<i>Description</i>
1	132-7560	1	Fuel Tank ASM	7	104-8300	3	Nut-HF, NI
1:2	46-6560	2	Bushing	8	3234-42	10	Screw-HHF
1:3	137-4127	1	Cap-Fuel	9	104-8301	6	Nut-HF, NI
1:4	104-5228	1	Fitting-Elbow, 90 DEG	10	115-7721	5	Nut-Clip, U
1:5	145-6195	1	ASM, Tube-Fuel	11	131-7455	1	Plate-Striker
2	140-7621	1	Tower ASM- Swivel	12	3229-11	1	Screw-CARR
2:2	132-9052	1	Decal-Fuse	13	104-7201	1	Nut-HF, NI
2:3	116-8775	1	Decal-Fill, Fuel	14	132-8929	1	Hose-Fuel [32"]
2:4	139-7210	2	Decal	15	110-3958	1	Hose-Fuel
2:5	139-7223	1	Decal - Service, Mbtx-2500S	16	2412-98	2	Clamp-Hose
2:6	137-0575	1	Decal-Level, Oil	17	116-5464	1	Tee And Check
2:7	139-7202	1	Decal-Control Panel	18	120-2235	1	Filter-Fuel
3	105-4886	4	Nut-Tinnerman	19	2412-146	5	Clamp-Hose
4	147-3226-03	1	Bracket-Cross	22	132-9046	1	Hose-Vent
5	132-5161-01	1	Tube-Mount, Fuel Tank	27	3269-29	2	Rivet-Pop
6	3230-5	3	Bolt-CARR	32	98-1386	2	Pad-Foam

# Track Assembly

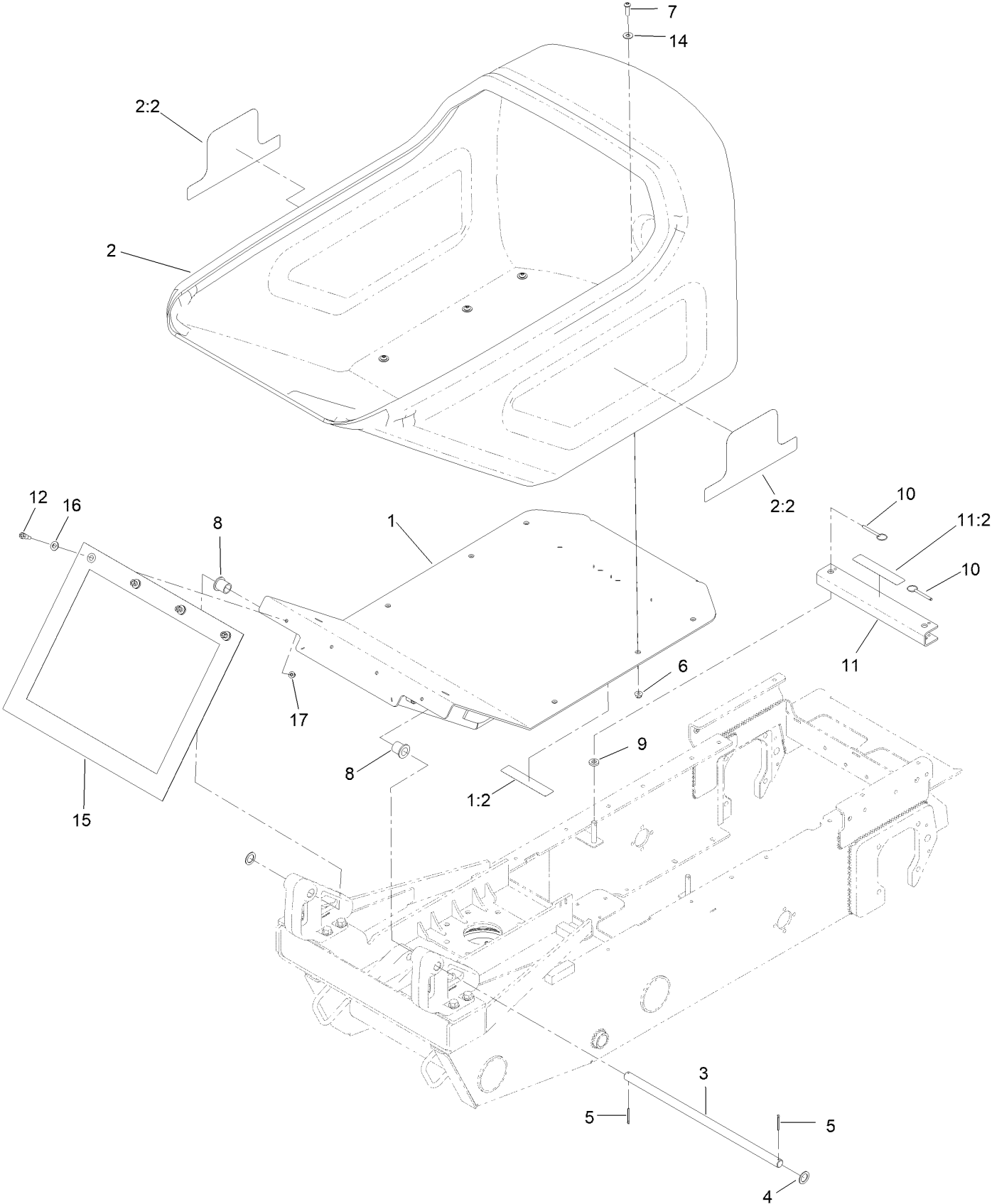




## Track Assembly (continued)

<i>Ref.</i>	<i>Part Number</i>	<i>Qty.</i>	<i>Description</i>	<i>Ref.</i>	<i>Part Number</i>	<i>Qty.</i>	<i>Description</i>
1	132-8813-03	1	Mount-Wheel, LH	11	26-3790	2	Nut-Lock
2	108-4691-03	2	Arm-Tensioner	12	98-4799	2	Spacer
3	104-5745	2	Tensioner Wheel ASM	13	327-17	16	Screw-HH
3:1	104-5747-03	1	Wheel-Tensioner	14	3296-24	16	Nut-Hex
3:2	98-9835	1	Spacer-Wheel, Tensioner	15	130-1050	2	Pin-Track
3:3	120-5378	2	Bearing-Ball	16	125-0399	2	Nut-HH
4	95-3624	2	Spring-Compression	17	132-8944	2	Spacer-Track, Outside Mount
5	108-4664	2	Block-Tensioner	18	132-6053	8	Block-Track
6	127-9563	2	Bolt-Tensioner	19	99-2659	2	Washer
7	137-8712	2	Track	20	328-5	2	Screw-HH
8	138-5231	14	Wheel ASM	21	321-37	2	Screw-HH
8:2	138-0547	2	Bearing-Ball	22	321-6	16	Screw-HH
8:3	130-7564	1	Spacer-Wheel	23	32128-32	2	Nut-HHF
9	132-8893-03	2	Wheel-Drive	24	3256-7	4	Washer-Flat
10	132-8814-03	1	Mount-Wheel, RH				

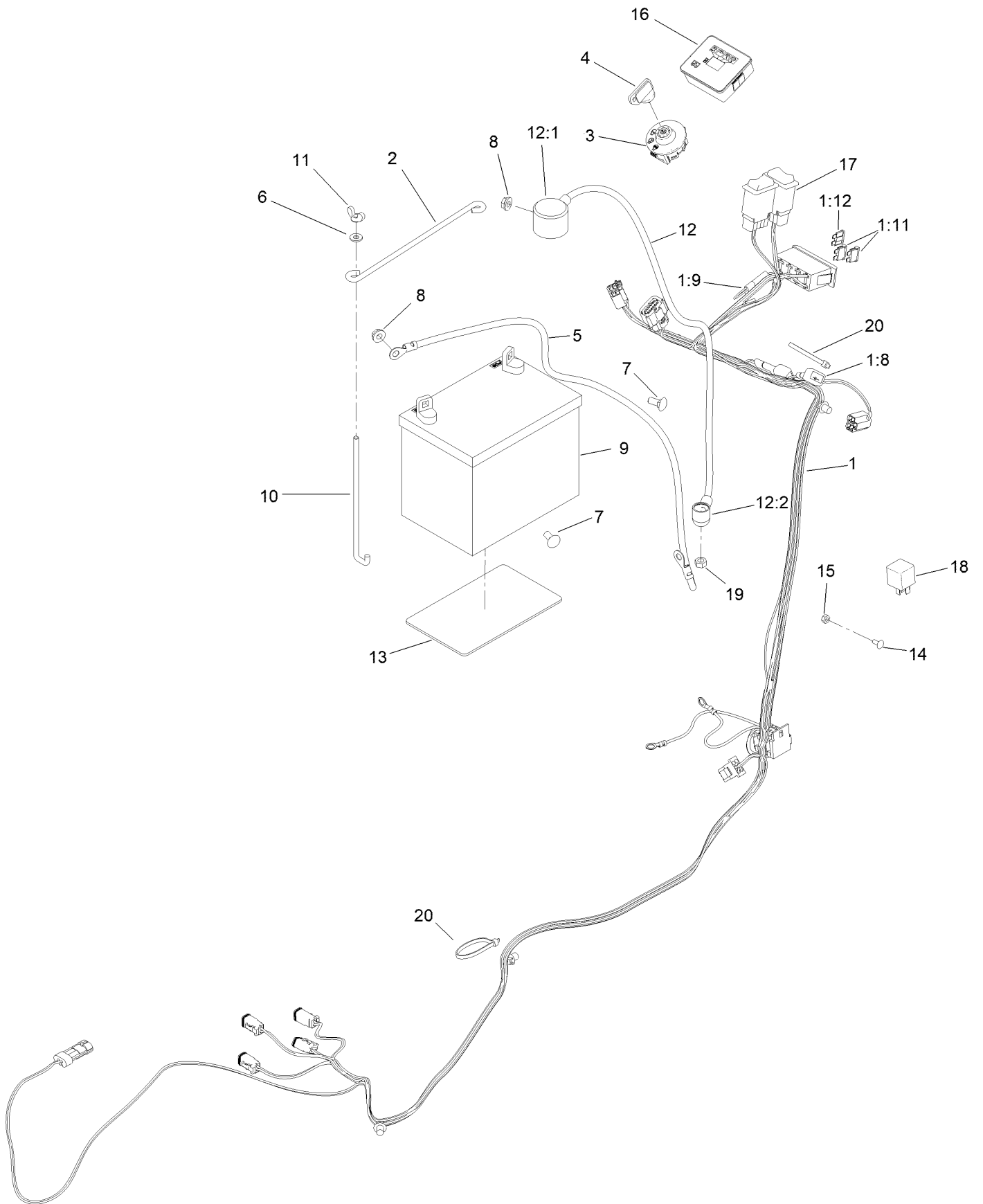
# Hopper Assembly



## Hopper Assembly (continued)

<i>Ref.</i>	<i>Part Number</i>	<i>Qty.</i>	<i>Description</i>	<i>Ref.</i>	<i>Part Number</i>	<i>Qty.</i>	<i>Description</i>
1	140-3575	1	Hopper Base ASM (Service)	9	83-1470	2	Washer-Neoprene
1:2	115-4858	2	Decal-Danger	10	108-0094	2	Pin-Cotterless
2	139-7240	1	Hopper-Mortar, ASM	11	139-7203	1	Arm-Locking
2:2	139-7234	2	Decal-Mud Buggy	11:2	115-4858	1	Decal-Danger
3	132-8854	1	Shaft-Pivot,Tub	12	28-0540	4	Bolt-Shoulder
4	99-4958	2	Spacer	14	3256-4	6	Washer-Flat
5	3272-13	2	Pin-Cotter	15	132-9044	1	Shield-Splatter
6	104-8301	6	Nut-HF, NI	16	3256-25	4	Washer-Flat
7	3274-63	6	Screw-HSBH	17	104-8300	4	Nut-HF, NI
8	1-303514	2	Bearing-Flanged				

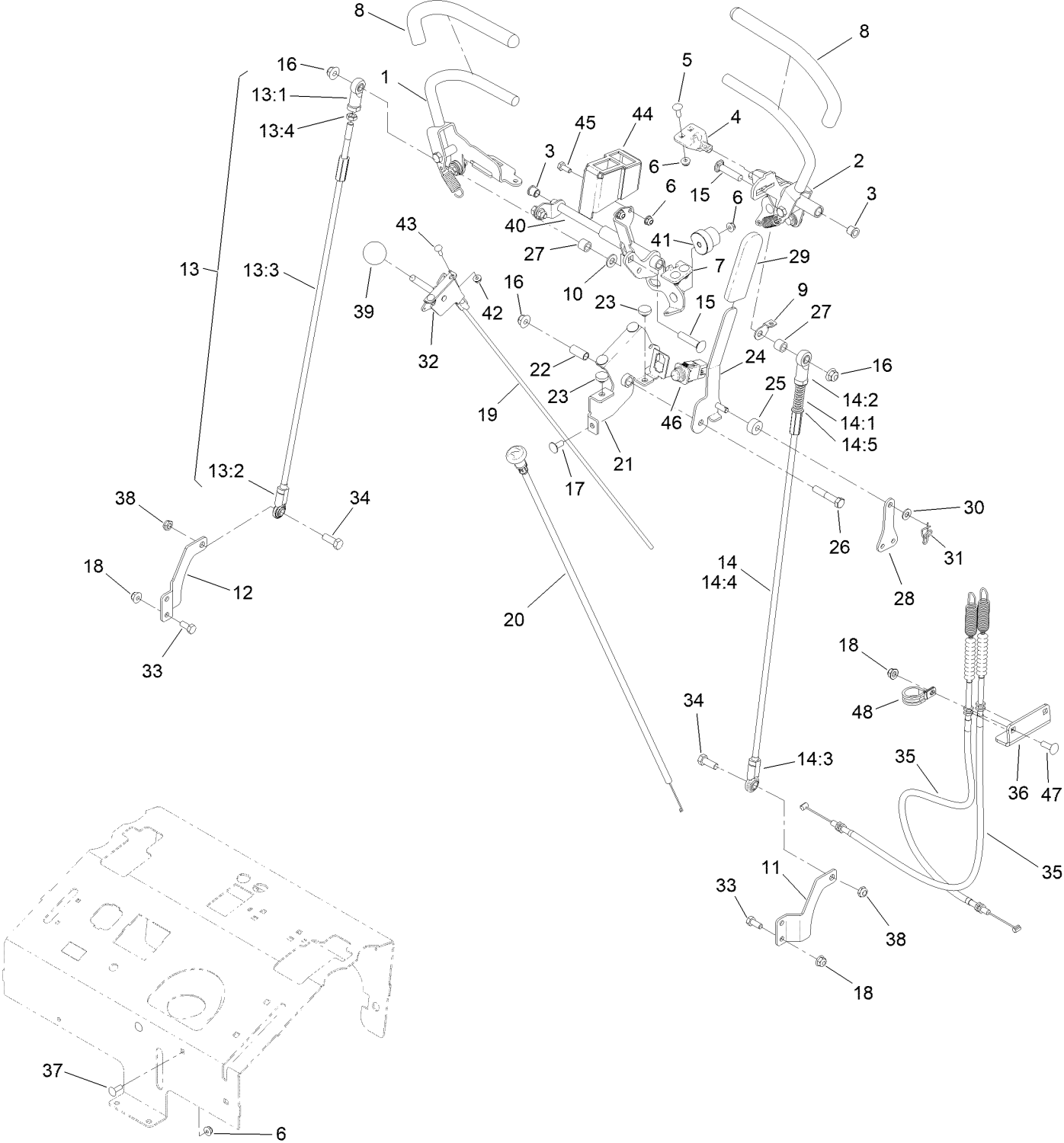
# Electrical Harness Assembly



## Electrical Harness Assembly (continued)

<i>Ref.</i>	<i>Part Number</i>	<i>Qty.</i>	<i>Description</i>	<i>Ref.</i>	<i>Part Number</i>	<i>Qty.</i>	<i>Description</i>
1	139-6385	1	Harness-Wire, Mud Buggy	10	100-6435	2	Post-Battery
1:8	100-4918	2	Diode	11	32103-22	2	Nut-Wing
1:9	32180-416	1	Cap-Tethered	12	109-7630	1	Positive Battery Cable ASM
1:11	109355	2	Fuse-Blade, 15 Amp	12:1	109-2407	1	Insulator-Battery
1:12	114241	1	Fuse-Blade, 7.5 Amp	12:2	1-543393	1	Insulator-Solenoid
2	100-6434	1	Rod-Hold Down, Battery	13	62-4300	1	Pad-Skid, Anti
3	137-4101	1	Switch-Ignition	14	1-807513	1	Bolt-CARR
4	63-8360	1	Key-Ignition	15	3296-2	1	Nut-Lock, NI
5	117-7240	1	Cable-Battery, Negative	16	132-8959	1	Module, Hour Meter
6	3256-22	2	Washer-Flat	17	AU113664	2	Switch-Rocker, 2 Pole
7	3230-1	2	Bolt-CARR	18	1-643275	1	Relay
8	32128-20	2	Nut-HF	19	33014-00	1	Nut-Hex
9	104-4657	1	Battery (340 CCA, Wet)	20	3290-378	3	Tie-Cable

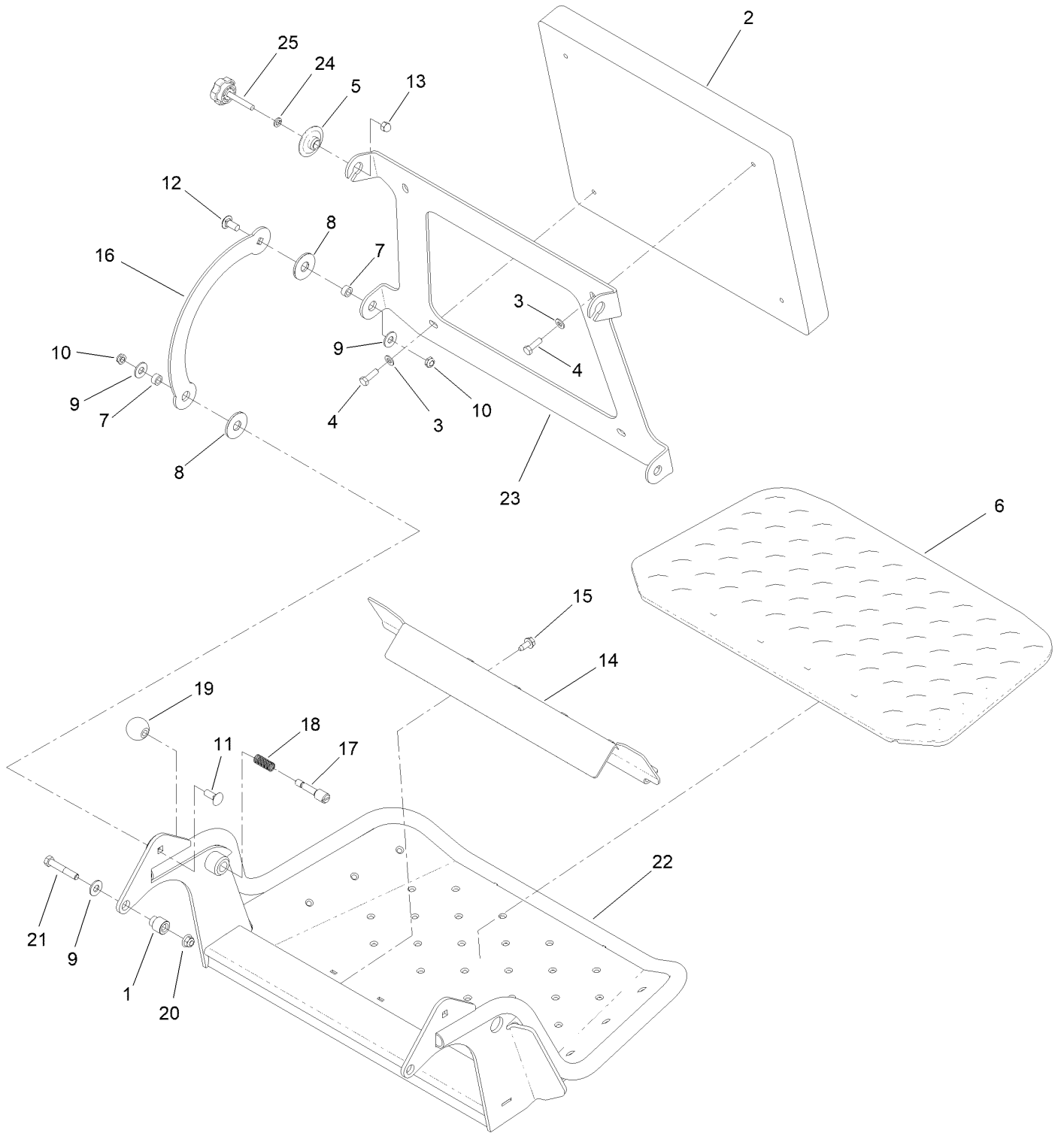
# Control Assembly



## Control Assembly (continued)

<i>Ref.</i>	<i>Part Number</i>	<i>Qty.</i>	<i>Description</i>	<i>Ref.</i>	<i>Part Number</i>	<i>Qty.</i>	<i>Description</i>
1	132-9048	1	RH Control Handle ASM	21	132-8919-03	1	Bracket-Brake, Pivot
2	132-9047	1	LH Control Handle ASM	22	131-3562	1	Bearing-Sleeve
3	103-9928	2	Bearing	23	1-513658	2	Bumper
4	120-3288	1	Tab-Pivot, LH	24	132-8920-03	1	Handle-Arm, Brake
5	3229-1	4	Screw-CARR	25	132-9064	1	Bushing-Brake
6	104-7201	10	Nut-HF, NI	26	323-10	1	Screw-HH
7	120-3287	1	Tab-Pivot, RH	27	93-9847	2	Spacer
8	119-0222	2	Grip	28	132-1188	1	Yoke-Cable
9	132-7538	1	Bracket-Adjustment, Speed	29	1-633268	1	Grip-Lever
10	3256-24	1	Washer-Flat	30	93-6079	1	Spacer-Nylon
11	131-5748-0P	1	Bracket-Hydro, LH (Primer)	31	112-1491	1	Pin-Cotter
12	131-5747-0P	1	Bracket-Hydro, RH (Black)	32	110-5547	1	Lever-Control
13	138-8642	1	RH Control Rod ASM	33	322-3	5	Screw-HH
13:1	92-7008	1	End-Rod, Female	34	323-6	2	Screw-HH
13:2	103-1167	1	Joint-Ball End, LH	35	132-8921	2	Cable-Brake
13:3	138-8641	1	Rod-Control	36	132-8923-03	1	Bracket-Cable, Brake
13:4	3220-3	1	Nut-HJ	37	3229-25	2	Screw-CARR
14	138-8643	1	LH Control Rod ASM	38	3296-59	2	Nut-Lock, NI
14:1	1-603807	1	Spring-Return, Neutral	39	1-603175	1	Knob-Ball
14:2	92-7008	1	End-Rod, Female	40	132-9029-03	1	Pivot/Plate Switch ASM
14:3	103-1167	1	Joint-Ball End, LH	41	126-1499	2	Cam
14:4	138-8641	1	Rod-Control	42	32128-17	2	Nut-Lock, Flange
14:5	3256-45	2	Washer-Flat	43	1-807533	2	Bolt-CARR
15	3231-29	2	Screw-CARR	44	145-1157-03	1	Bracket-Switch
16	104-8301	3	Nut-HF, NI	45	321-3	2	Screw-HH
17	3230-23	3	Bolt-CARR	46	100-1268	1	Switch-Plunger
18	104-8300	10	Nut-HF, NI	47	3230-22	2	Screw-CARR
19	115-1211	1	Cable-Control	48	2412-104	1	Clamp-R
20	132-9035	1	Cable-Choke				

# Platform Assembly

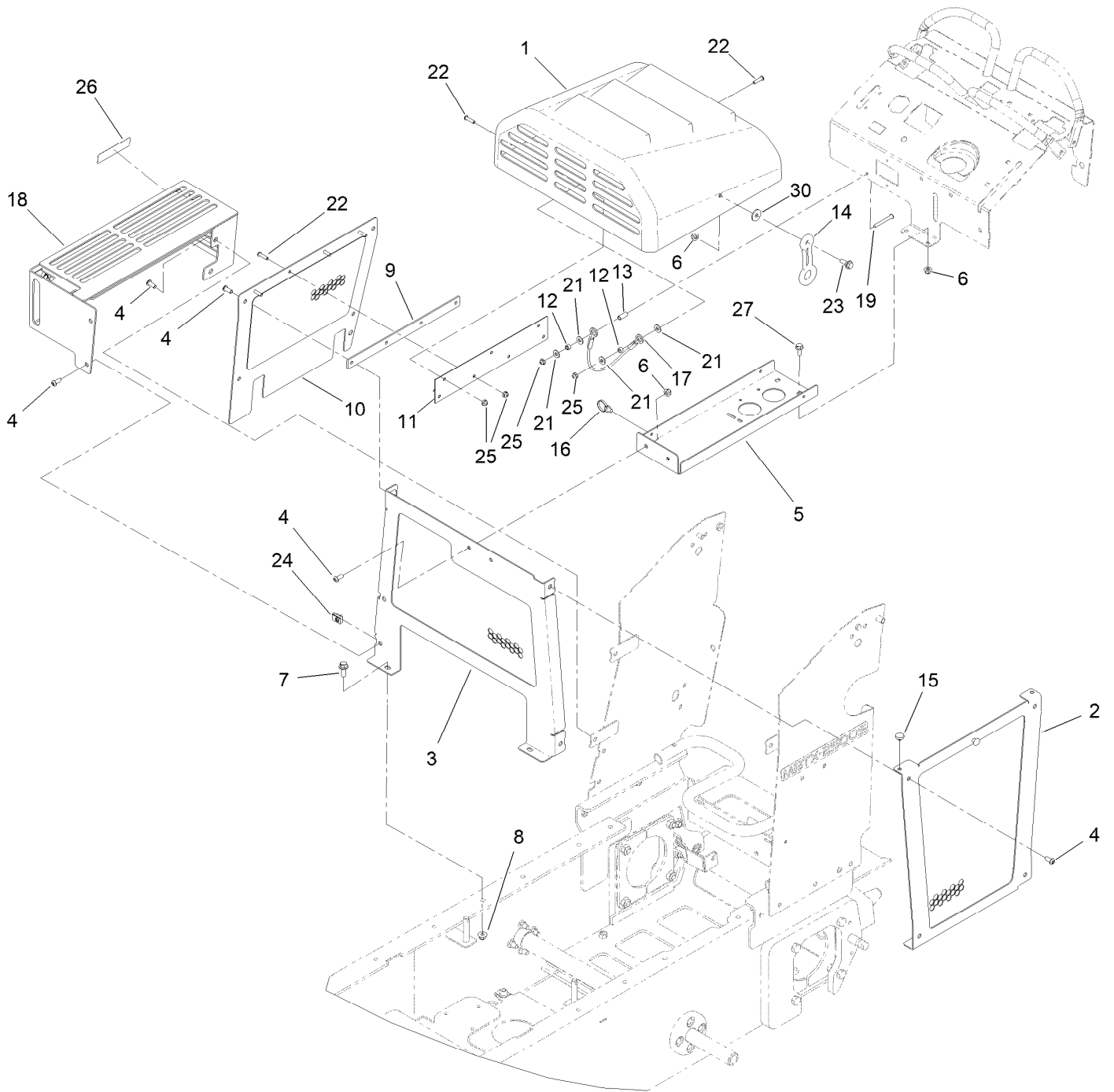




## Platform Assembly (continued)

<i>Ref.</i>	<i>Part Number</i>	<i>Qty.</i>	<i>Description</i>	<i>Ref.</i>	<i>Part Number</i>	<i>Qty.</i>	<i>Description</i>
1	132-7583	2	Bushing-Flanged	14	136-5669-03	1	Clamp-Shield
2	117-9739	1	Pad-Cushion	15	32144-70	2	Screw-HWHTF
3	3256-23	4	Washer-Plain	16	114-1915-03	2	Link-Pad
4	121-7999	4	Screw-HH	17	119-8650	1	Pin-Latch
5	116-2886	2	Slide-Bushing	18	114-5348	1	Spring
6	126-7157	1	Mat-Platform	19	1-603175	1	Knob-Ball
7	111044	4	Spacer	20	104-8301	2	Nut-HF, NI
8	114-0463	4	Washer-Friction, Composite	21	323-11	2	Screw-HH
9	3256-4	6	Washer-Flat	22	120-8475-03	1	Platform
10	3296-59	4	Nut-Lock, NI	23	120-8499-03	1	Hinge-Pad
11	3231-2	2	Bolt-CARR	24	3253-4	2	Washer-Lock
12	3231-27	2	Screw-CARR	25	133-1426	2	Knob
13	137-4808	2	Nut-Acorn				

# Hood Assembly



## Hood Assembly (continued)

<i>Ref.</i>	<i>Part Number</i>	<i>Qty.</i>	<i>Description</i>	<i>Ref.</i>	<i>Part Number</i>	<i>Qty.</i>	<i>Description</i>
1	132-8990	1	Hood	15	1-513658	2	Bumper
2	132-8886-01	1	Panel-Side, LH	16	32180-118	2	Clip-Tie
3	138-8619-01	1	Panel-Front (Welded)	17	130-5726	1	Lanyard
4	3274-55	14	Screw-HSBH	18	136-4592-01	1	Guard-Muffler
5	132-8876-03	1	Platform-Battery	19	120-2011	1	Screw-HSBH
6	104-8300	5	Nut-HF, NI	21	3256-2	4	Washer-Flat
7	3234-42	2	Screw-HHF	22	3274-65	8	Screw-HSBH
8	104-8301	2	Nut-HF, NI	23	116-2670	1	Screw-Shoulder
9	132-9050-03	1	Plate-Spacer, Hood	24	115-7721	6	Nut-Clip, U
10	132-3905-01	1	Panel-Side, Upper	25	104-7201	9	Nut-HF, NI
11	132-9021	1	Hinge-Hood	26	133-8062	1	Decal-Arrestor, Spark
12	55-9370	2	Spacer-Blade, Rotor	27	3234-47	2	Screw-HHF
13	87-4710	1	Spacer-Brake, Parking	30	115-7109	1	Washer-Flat
14	ST47182	1	Latch-Rubber				

# Attachments and Accessories

## For 68141 MB TX 2500S Tracked Mud Buggy

<b>Product Name</b>	<b>Model/Part</b>
Light Kit.....	137-0558
Kit-Hopper, Mortar .....	139-7216
Toro Red 12oz Aerosol Can .....	361-10
New Red Paint - Gallon .....	361-11
Semi-Gloss Black Spray Paint.....	361-9
Spark Arrestor .....	98-9099

**Notes:**

**Notes:**

**Notes:**



**Count on it.**