



**Count on it.**

**Parts Catalog**

**Workman® GTX EFI  
Utility Vehicle**

Model No. 07409—Serial No. 412430000 and Up



# Ordering Replacement Parts

To order replacement parts, please supply the part number, the quantity, and the description of each part desired.

## Understanding Reference Numbers

Each identified part in an illustration has a reference number. The reference number for a part also appears in the parts list, along with other information about the part.

This catalog uses two special reference number formats, one to indicate parts in a service assembly and another to indicate the quantity of a given part in an illustration.

## Service Assembly Reference Numbers

Parts in service assemblies have reference numbers in the form a:b. The a represents the reference number of the entire service assembly and the b represents a sequential number unique to each part within the service assembly.

For example, a wheel assembly might be identified by reference number 6, the tire by 6:1, the valve by 6:2, and the wheel by 6:3. When you order the assembly identified by reference number 6, you receive all parts identified by reference numbers 6:1, 6:2, and 6:3. However, you may also order any part individually. Reference numbers of this type appear in illustration and in parts lists.

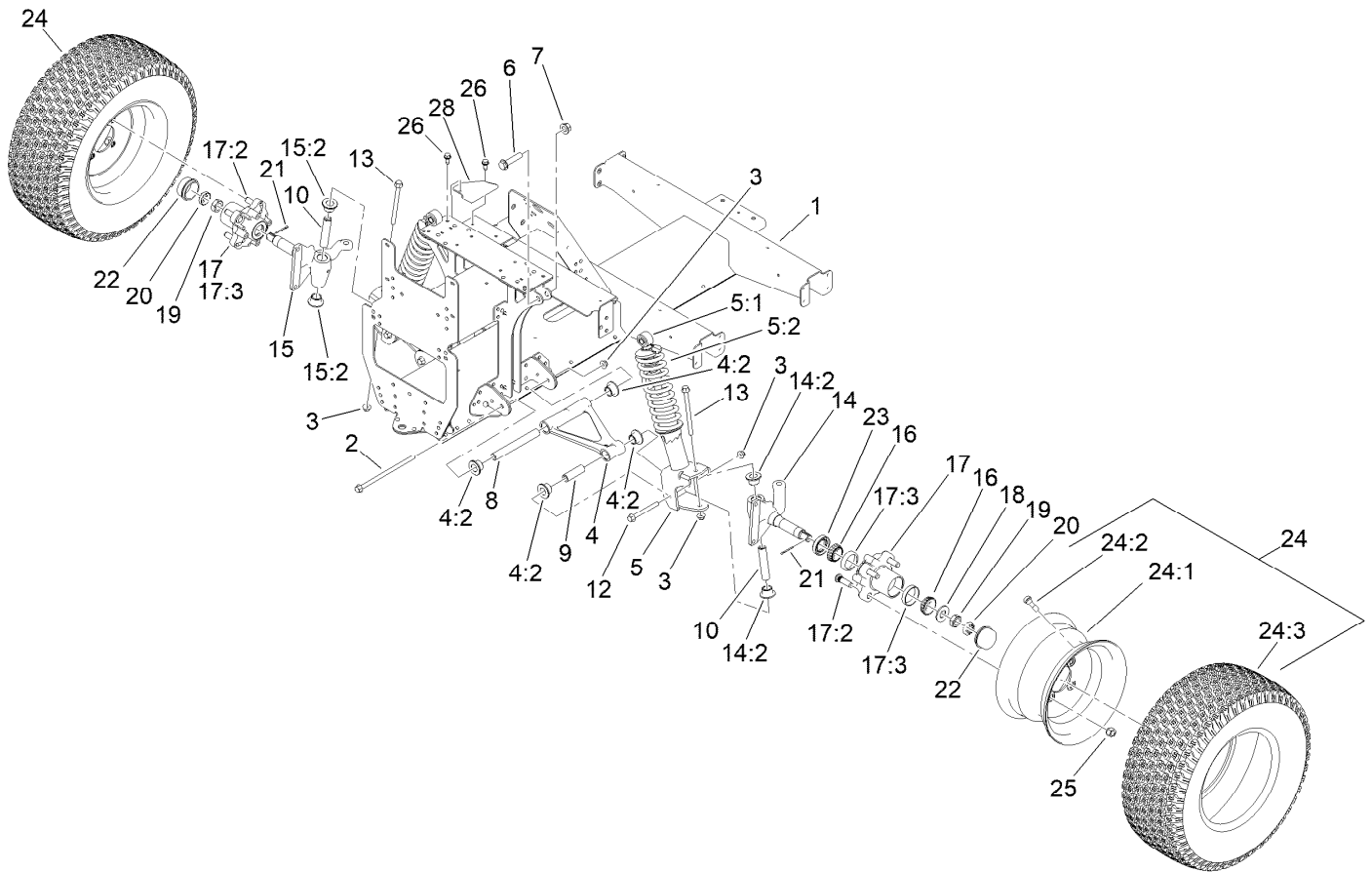
## Reference Numbers Indicating Quantity

In an illustration, if a reference number indicates more than one part, the reference number has the form nX y. The n represents the quantity of the part, the X is the multiplication symbol, and the y represents the reference number.

For example, in an illustration, the reference number 2X 37 means that two of the parts identified by reference number 37 are indicated.

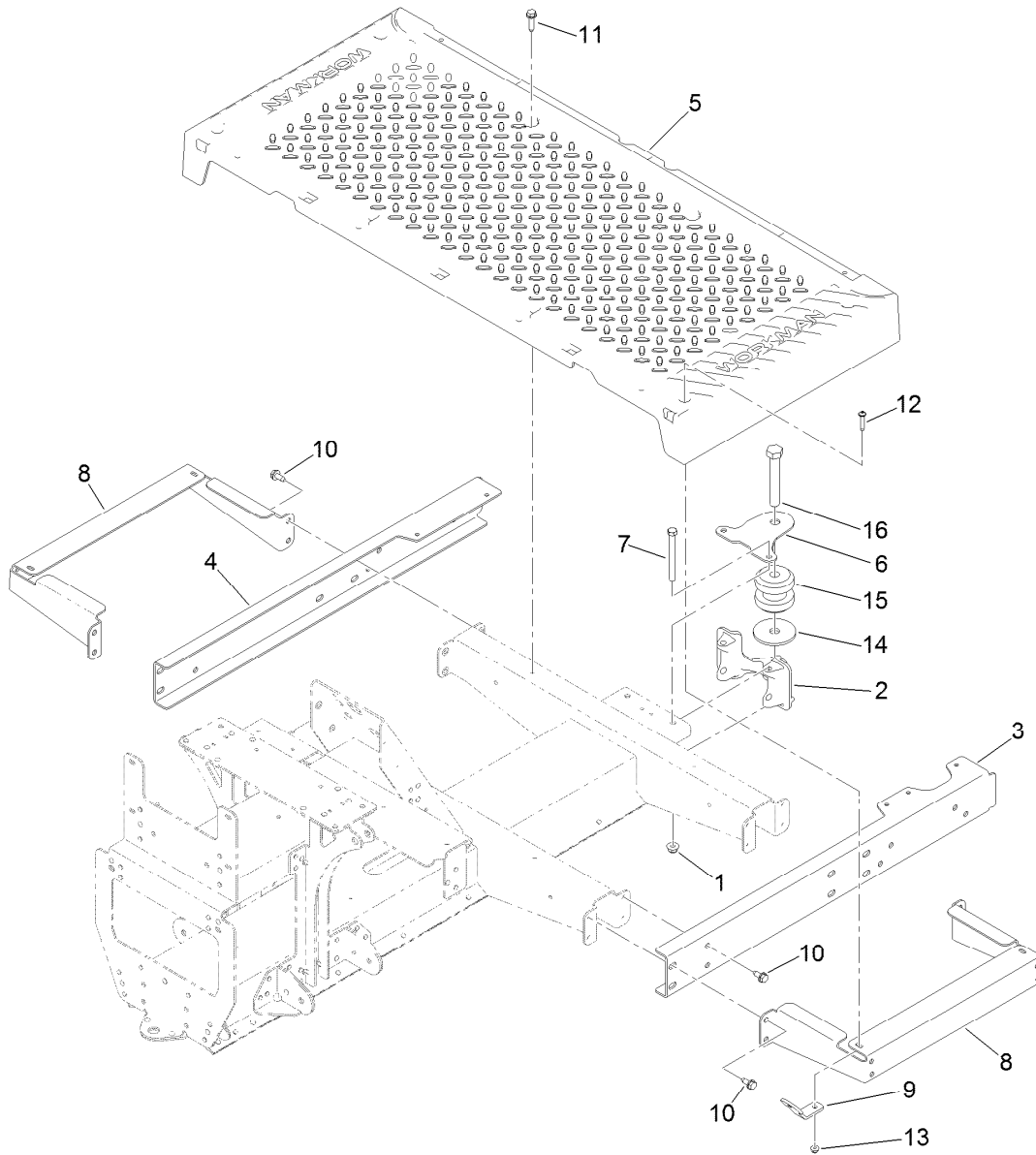
# Contents

|  |    |
|--|----|
| Front Frame and Suspension Assembly . . . . .            | 4  |
| Floor Plate and Rear Suspension Mount Assembly . . . . . | 5  |
| Rear Frame and Suspension Assembly . . . . .             | 6  |
| Frame Mount and Rear Shock/Spring Assembly . . . . .     | 7  |
| Brake Assembly . . . . .                                 | 8  |
| Master Cylinder Assembly No. 104-6782 . . . . .          | 9  |
| Brake Caliper Assembly No. 140-2575 . . . . .            | 10 |
| Steering Assembly . . . . .                              | 11 |
| Pedal and Control Assembly . . . . .                     | 12 |
| Hood and Fender Assembly . . . . .                       | 14 |
| Dash Assembly . . . . .                                  | 15 |
| Seatbase Assembly . . . . .                              | 16 |
| Cargo Bed Assembly . . . . .                             | 17 |
| Engine Assembly . . . . .                                | 18 |
| Engine Assembly No. 133-8092 . . . . .                   | 20 |
| Engine Assembly No. 133-8092 . . . . .                   | 23 |
| Starter Generator Assembly No. 131-8444 . . . . .        | 25 |
| Secondary Clutch Assembly No. 119-6011 . . . . .         | 26 |
| Air Cleaner Assembly No. 138-3447 . . . . .              | 27 |
| Primary Clutch Assembly No. 138-0095 . . . . .           | 28 |
| Rear Wheel and Transaxle Assembly . . . . .              | 29 |
| Transaxle Assembly No. 131-3486 . . . . .                | 30 |
| Battery and Cable Assembly . . . . .                     | 32 |
| Electrical Assembly . . . . .                            | 33 |
| Fuel System Assembly . . . . .                           | 35 |
| Attachments and Accessories . . . . .                    | 37 |



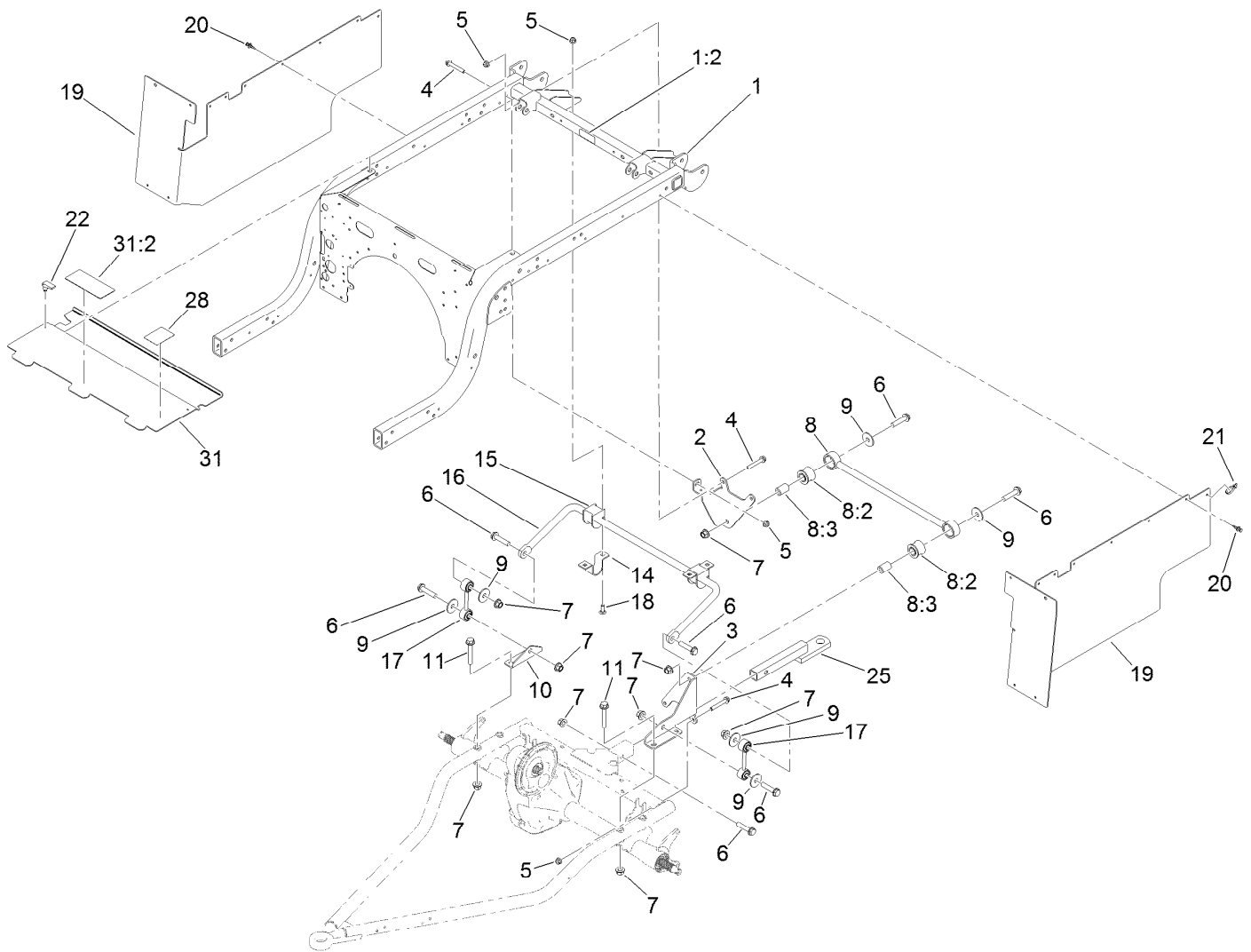
## Front Frame and Suspension Assembly

| Ref. | Part Number | Qty. | Description                           | Ref. | Part Number | Qty. | Description           |
|------|-------------|------|---------------------------------------|------|-------------|------|-----------------------|
| 1    | 127-7718-03 | 1    | Frame-Front                           | 15:2 | 140-4615    | 2    | Bushing-Flange        |
| 2    | 139-3360    | 2    | Screw-HF                              | 16   | 254-94      | 4    | Bearing-Cone, Tapered |
| 3    | 139-3380    | 6    | Nut-HF                                | 17   | 127-8851    | 2    | Front Hub ASM         |
| 4    | 144-2161    | 2    | Control Arm ASM                       | 17:2 | 10-6830     | 4    | Stud-Type, Drive      |
| 4:2  | 140-4615    | 4    | Bushing-Flange                        | 17:3 | 254-72      | 2    | Bearing-Cup, Tapered  |
| 5    | 139-4484    | 2    | Strut ASM, 250 Lb (16.33" EXT Length) | 18   | 93-0309     | 2    | Washer-Tab            |
| 5:1  | 131-8574    | 1    | Isolator-Shock                        | 19   | 3220-7      | 2    | Nut-Jam               |
| 5:2  | 137-6719    | 1    | Spring-Compression, 250Lb             | 20   | 93-0307     | 2    | Nut-Lock, Retainer    |
| 6    | 3234-46     | 2    | Screw-HHF                             | 21   | 3272-12     | 2    | Pin-Cotter            |
| 7    | 99-5107     | 2    | Nut-Lock                              | 22   | 241-119     | 2    | Cap-Dust              |
| 8    | 131-8581    | 2    | Sleeve-Control Arm, Inner             | 23   | 112-1690    | 2    | Seal-Oil              |
| 9    | 131-8583    | 2    | Sleeve-Control Arm, Outer             | 24   | 139-4495    | 2    | Wheel And Tire ASM    |
| 10   | 131-8582    | 2    | Sleeve-Kingpin                        | 24:1 | 131-8317    | 1    | Wheel                 |
| 12   | 139-3370    | 2    | Screw-HF                              | 24:2 | 232-27      | 1    | Stem-Valve            |
| 13   | 139-3350    | 2    | Screw-HF                              | 24:3 | 139-4475    | 1    | Tire-20 X 8.00-10     |
| 14   | 144-2162    | 1    | Spindle ASM, LH                       | 25   | 242-50      | 8    | Nut-Lug               |
| 14:2 | 140-4615    | 2    | Bushing-Flange                        | 26   | 32144-70    | 2    | Screw-HWHTF           |
| 15   | 144-2163    | 1    | Spindle ASM, RH                       | 28   | 131-8339-03 | 1    | Reinforcement-Tower   |



## Floor Plate and Rear Suspension Mount Assembly

| Ref. | Part Number | Qty. | Description                  | Ref. | Part Number | Qty. | Description        |
|------|-------------|------|------------------------------|------|-------------|------|--------------------|
| 1    | 104-8301    | 2    | Nut-HF, NI                   | 9    | 127-7832    | 2    | Bracket-Angle      |
| 2    | 131-8466    | 1    | Mount-Suspension, Rear       | 10   | 32144-70    | 16   | Screw-HWHTF        |
| 3    | 127-7820-03 | 1    | Channel-Frame, Front (LH)    | 11   | 32144-49    | 4    | Screw-HWHTF        |
| 4    | 127-7821-03 | 1    | Channel-Frame, Front (RH)    | 12   | 132-6777    | 4    | Screw-Twh Thd Roll |
| 5    | 127-7829    | 1    | Plate-Floor                  | 13   | 104-7201    | 4    | Nut-HF, NI         |
| 6    | 131-8597    | 1    | Plate-Gimbal, Upper          | 14   | 110-4549    | 1    | Washer-Snubbing    |
| 7    | 323-42      | 2    | Screw-HH                     | 15   | 131-8480    | 1    | Isolator           |
| 8    | 127-7837-03 | 2    | Bracket-Support, Floor Plate | 16   | 104-5877    | 1    | Screw-HH           |



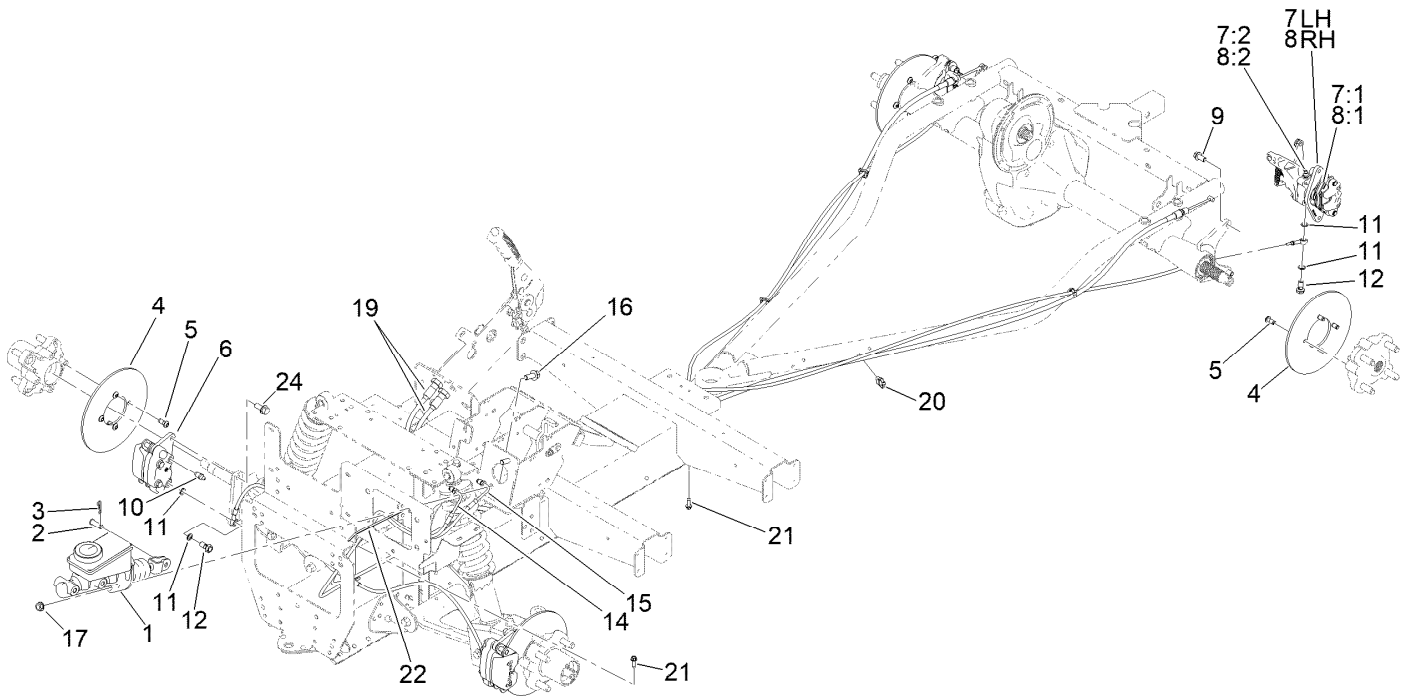
## Rear Frame and Suspension Assembly

| <i>Ref.</i> | <i>Part Number</i> | <i>Qty.</i> | <i>Description</i>         | <i>Ref.</i> | <i>Part Number</i> | <i>Qty.</i> | <i>Description</i>   |
|-------------|--------------------|-------------|----------------------------|-------------|--------------------|-------------|----------------------|
| 1           | 140-2498           | 1           | Rear Frame ASM             | 11          | 3234-40            | 4           | Screw-HF             |
| 1:2         | 115-2047           | 1           | Decal-Surface, Hot         | 14          | 139-4644           | 2           | Clamp, Anti-Sway Bar |
| 2           | 139-4647-03        | 1           | Bracket-Stabilizer Bar     | 15          | 87-3910            | 2           | Bushing-Rubber       |
| 3           | 127-7411-03        | 1           | Bracket-Bar, Stabilizer    | 16          | 131-8310-03        | 1           | Bar-Sway, Anti       |
| 4           | 3234-39            | 5           | Screw-HHF                  | 17          | 131-8394           | 2           | Link-Bar, Sway       |
| 5           | 104-8301           | 9           | Nut-HF, NI                 | 18          | 3231-22            | 4           | Screw-CARR           |
| 6           | 3234-46            | 7           | Screw-HHF                  | 19          | 131-8346           | 2           | Panel-Side           |
| 7           | 99-5107            | 11          | Nut-Lock                   | 20          | 125-9622           | 20          | Rivet-Blind          |
| 8           | 109-5013           | 1           | Panhard Rod ASM            | 21          | 3290-378           | 2           | Tie-Cable            |
| 8:2         | 109-5009           | 2           | Bushing-Suspension, Rubber | 22          | 74-5950            | 2           | Latch-Swell          |
| 8:3         | 109-5010           | 2           | Spacer                     | 25          | 137-6741           | 1           | Ball Mount ASM       |
| 9           | 86-1990            | 6           | Washer-Thrust              | 28          | 145-8005           | 1           | Decal-Gtx EFI        |
| 10          | 131-8315           | 1           | Bracket-Link, Sway Bar     | 31          | 140-4573           | 1           | Extended Panel-Cover |
|             |                    |             |                            | 31:2        | 99-7345            | 1           | Decal-Warning        |



## Frame Mount and Rear Shock/Spring Assembly

| <i>Ref.</i> | <i>Part Number</i> | <i>Qty.</i> | <i>Description</i> |
|-------------|--------------------|-------------|--------------------|
| 1           | 3234-39            | 8           | Screw-HHF          |
| 2           | 104-8301           | 8           | Nut-HF, NI         |
| 3           | 3234-46            | 4           | Screw-HHF          |
| 4           | 99-5107            | 4           | Nut-Lock           |
| 5           | 139-4607           | 2           | Shock/Spring ASM   |
| 5:1         | 131-8574           | 2           | Isolator-Shock     |



## Brake Assembly

| Ref. | Part Number | Qty. | Description                         | Ref. | Part Number | Qty. | Description           |
|------|-------------|------|-------------------------------------|------|-------------|------|-----------------------|
| 1    | 104-6782    | 1    | Master Cylinder ASM                 | 8:3  | 136-6328    | 2    | Spring-Rattle, Anti ● |
| 2    | 283-2       | 1    | Pin-Clevis                          | 9    | 144-5550    | 4    | Screw-Spl             |
| 3    | 1-806003    | 1    | Pin-Cotter                          | 10   | 119-9509    | 2    | Screw-Bleed           |
| 4    | 139-4474    | 4    | Rotor-Brake                         | 11   | 115-2341    | 8    | Washer-Banjo          |
| 5    | 121-9671    | 16   | Screw-HSBH                          | 12   | 120-4875    | 4    | Bolt-Flange, Banjo    |
| 6    | 140-2575    | 2    | Brake Caliper ASM                   | 14   | 127-7781    | 1    | Brake Line-Front      |
| 7    | 140-2585    | 1    | Brake Caliper ASM, LH               | 15   | 127-7782    | 1    | Brake Line-Rear       |
| 7:1  | 140-2595    | 1    | Brake Pad Service Kit (Rear, Qty 4) | 16   | 3234-11     | 2    | Screw-HHF             |
| 7:2  | 119-9509    | 1    | Screw-Bleed                         | 17   | 3290-357    | 2    | Nut-HSF               |
| 7:3  | 136-6328    | 2    | Spring-Rattle, Anti ●               | 19   | 131-8406    | 2    | Cable-Park Brake      |
| 8    | 140-2590    | 1    | Brake Caliper ASM, RH               | 20   | 32180-030   | 4    | Clip-Tie              |
| 8:1  | 140-2595    | 1    | Brake Pad Service Kit (Rear, Qty 4) | 21   | 49-2040     | 2    | Screw-HWHTF           |
| 8:2  | 119-9509    | 1    | Screw-Bleed                         | 22   | 3290-378    | 1    | Tie-Cable             |
|      |             |      |                                     | 24   | 3234-25     | 4    | Screw-HHF             |

● Not illustrated





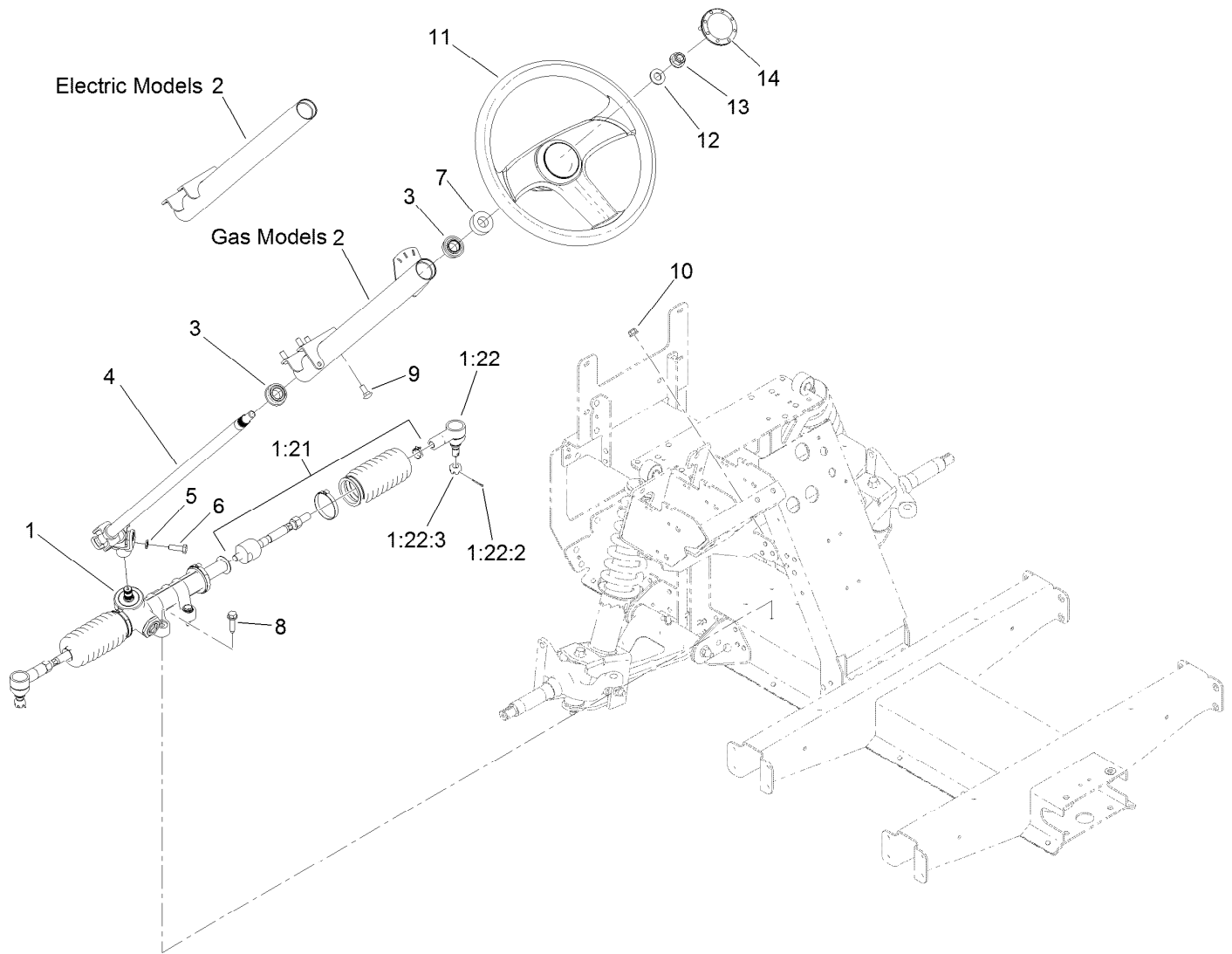
## Master Cylinder Assembly No. 104-6782

| Ref. | Part Number | Qty. | Description          |
|------|-------------|------|----------------------|
| 1    | 104-6845    | 1    | Reservoir ASM        |
| 1:1  | 92-4112     | 1    | Cap ASM              |
| 2    | 93-8971     | 2    | Seal-Port, Flange    |
| 3    | 92-4103     | 1    | Pin-Stop             |
| 4    | 92-4102     | 1    | Secondary Piston ASM |
| 5    | 92-4110     | 1    | Clevis               |
| 6    | 21-0360     | 1    | Nut-Hex              |
| 7    | 94-5209     | 1    | Cover-Dust           |
| 8    | 94-5210     | 1    | Rod-Push             |
| 9    | 92-4109     | 1    | Ring-Snap            |
| 10   | 92-4108     | 1    | Retainer-Washer      |
| 11   | 92-4101     | 1    | Primary Piston ASM   |



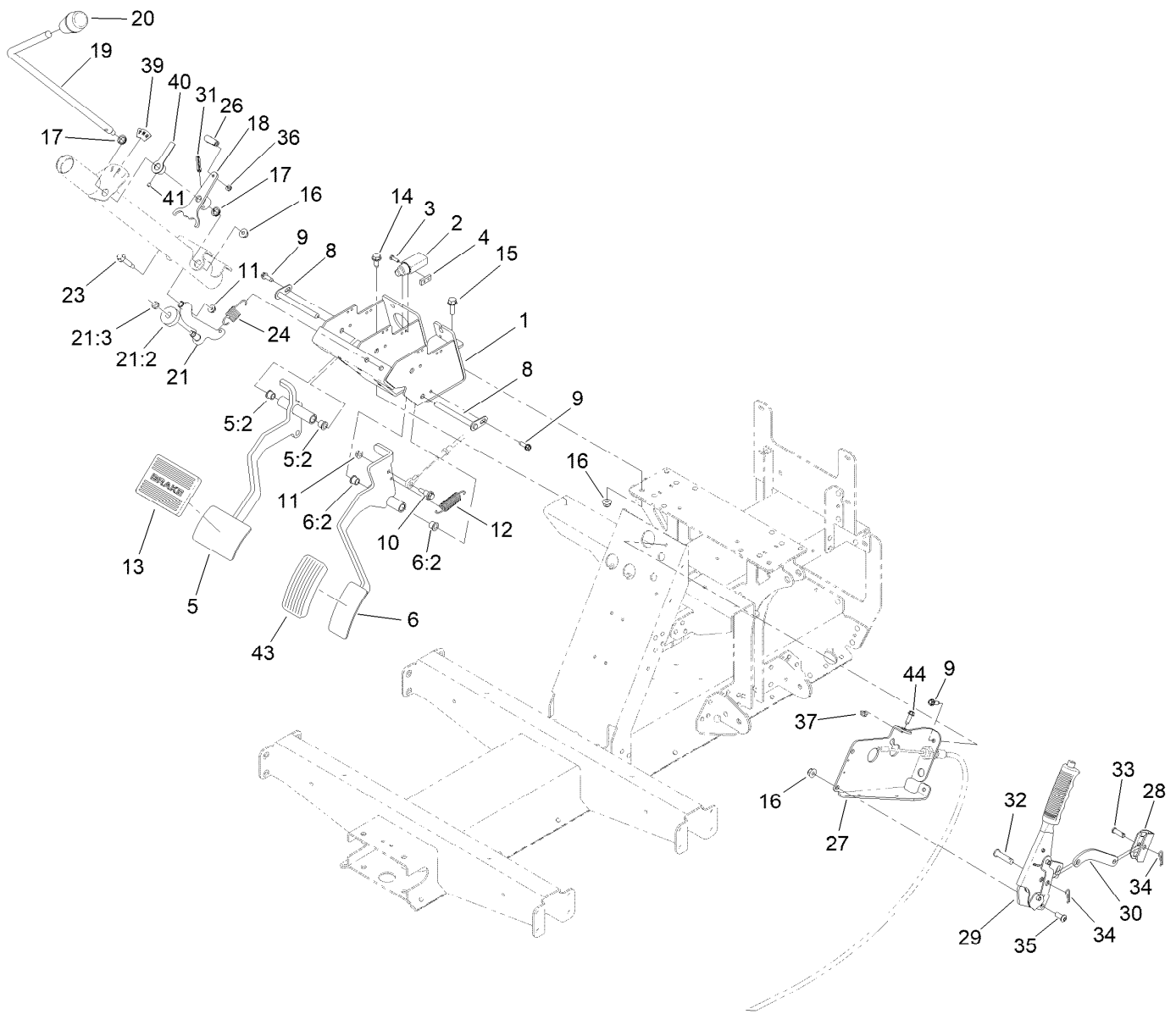
## Brake Caliper Assembly No. 140-2575

| <i>Ref.</i> | <i>Part Number</i> | <i>Qty.</i> | <i>Description</i>                   |
|-------------|--------------------|-------------|--------------------------------------|
| 1           | 140-2580           | 1           | Brake Pad Service Kit (Front, Qty 4) |
| 2           | 119-9511           | 1           | Bracket Kit                          |
| 3           | 133-0614           | 1           | Piston Kit                           |



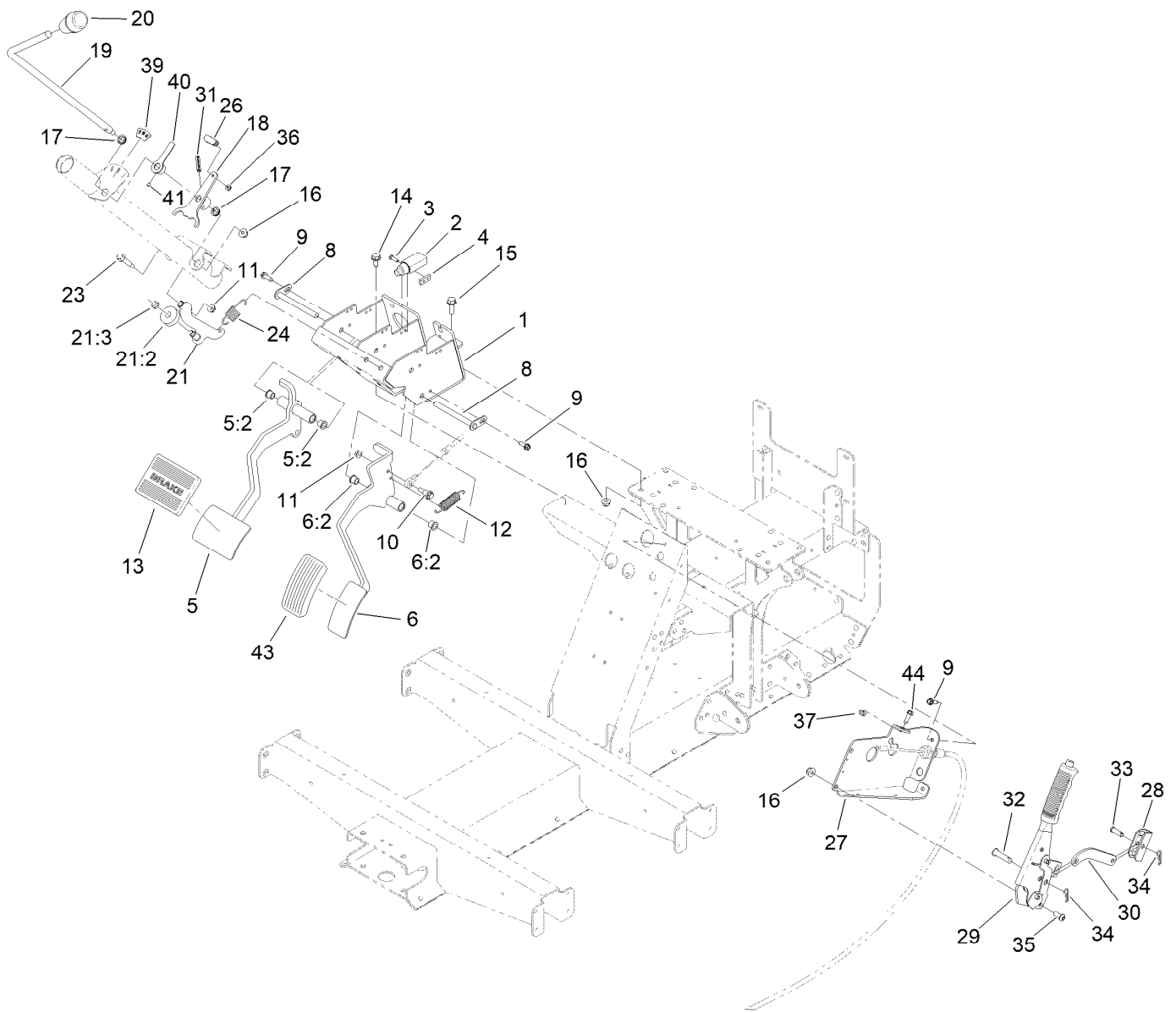
## Steering Assembly

| Ref.   | Part Number | Qty. | Description          | Ref. | Part Number | Qty. | Description         |
|--------|-------------|------|----------------------|------|-------------|------|---------------------|
| 1      | 138-0114    | 1    | Steering Rack ASM    | 6    | 116-3515    | 1    | Screw-HH, Special   |
| 1:21   | 140-4591    | 1    | Kit-Tie Rod ASM, Gtx | 7    | 21-9260     | 1    | Cover-Dust          |
| 1:22   | 140-4592    | 1    | Kit-Rod End ASM      | 8    | 32144-49    | 4    | Screw-HWHTF         |
| 1:22:2 | 3272-42     | 1    | Pin-Cotter           | 9    | 3230-1      | 4    | Bolt-CARR           |
| 1:22:3 | 140-2493    | 1    | Nut-Hex, Slotted     | 10   | 104-8300    | 4    | Nut-HF, NI          |
| 2      | 137-2754    | 1    | Steering Column ASM  | 11   | 131-0957    | 1    | Wheel-Steering      |
| 3      | 112-3262    | 2    | Bearing              | 12   | 3256-26     | 1    | Washer-Flat         |
| 4      | 127-8804    | 1    | Shaft-Steering       | 13   | 99-5107     | 1    | Nut-Lock            |
| 5      | 3253-4      | 1    | Washer-Lock          | 14   | 131-3630    | 1    | Cap-Wheel, Steering |



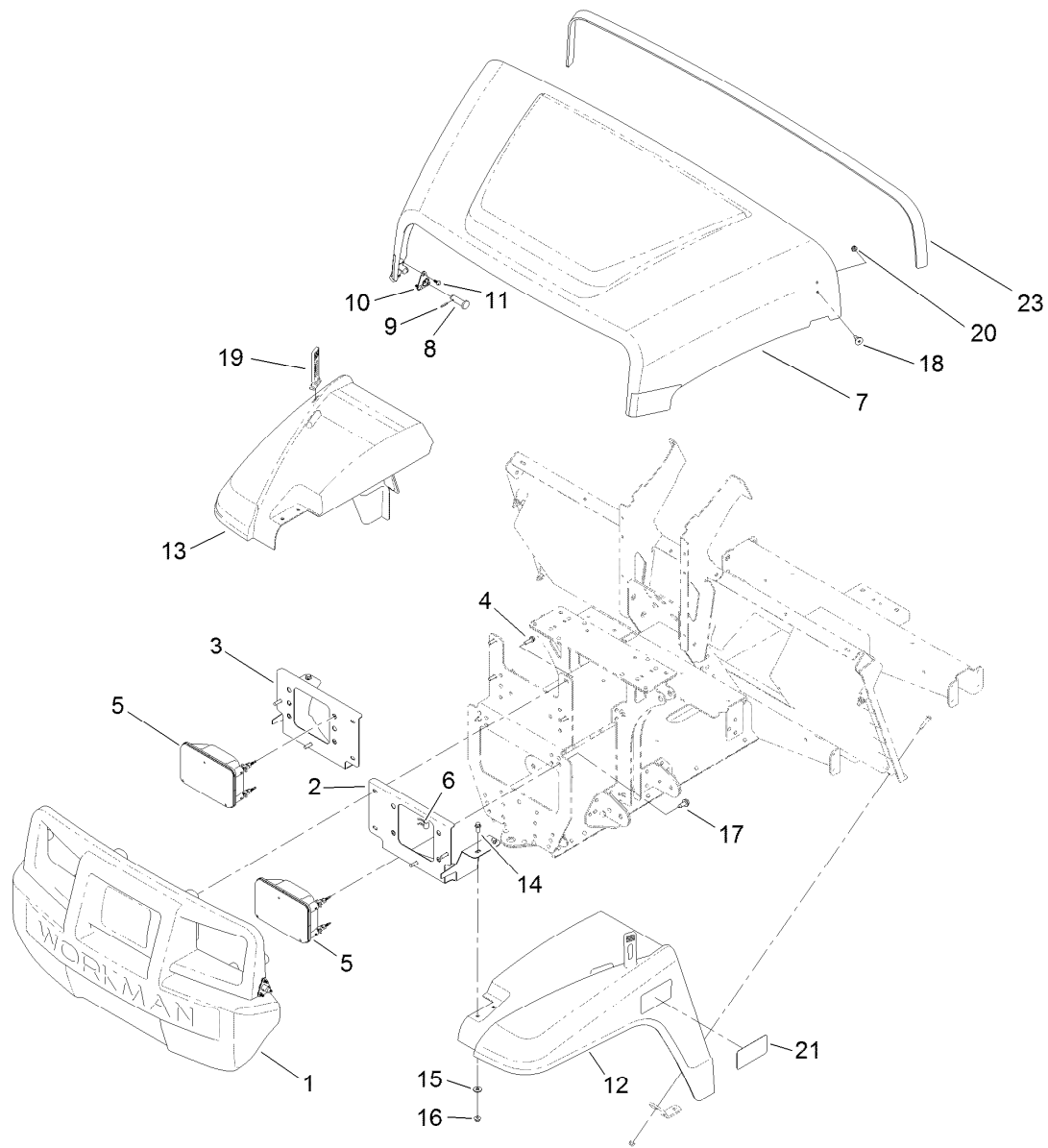
## Pedal and Control Assembly

| Ref. | Part Number | Qty. | Description             | Ref. | Part Number | Qty. | Description              |
|------|-------------|------|-------------------------|------|-------------|------|--------------------------|
| 1    | 127-8817-03 | 1    | Mount-Pedal             | 21   | 138-6432    | 1    | Detent Arm Assembly      |
| 2    | 99-7407     | 1    | Switch                  | 21:2 | 145-2095    | 1    | Bushing-Detent, Shift    |
| 3    | 3290-134    | 2    | Screw                   | 21:3 | 3296-47     | 1    | Nut-Lock, NI             |
| 4    | 1-633181    | 1    | Plate-Tapped            | 23   | 116-6876    | 1    | Screw-Shoulder           |
| 5    | 138-9385    | 1    | Brake Pedal ASM         | 24   | 131-8419    | 1    | Spring-Extension         |
| 5:2  | 256-116     | 2    | Bushing-Flange          | 26   | 2411-38     | 1    | Joint-Ball               |
| 6    | 138-9390    | 1    | Throttle Pedal ASM, Gtx | 27   | 140-4836-03 | 1    | Mount-Park Brake         |
| 6:2  | 256-116     | 2    | Bushing-Flange          | 28   | 87-3480     | 1    | Bracket-Equalizer, Cable |
| 8    | 131-8459    | 2    | Shaft-Pivot             | 29   | 131-8320    | 1    | Lever-Brake, Park        |
| 9    | 49-2040     | 4    | Screw-HWHTF             | 30   | 144-0516    | 1    | Link-Park, Brake         |
| 10   | 104-0858    | 1    | Bolt-Shoulder           | 31   | 32121-9     | 1    | Pin-Roll, Slotted        |
| 11   | 32128-33    | 2    | Nut-HF                  | 32   | 283-10      | 1    | Pin-Clevis               |
| 12   | 67-1450     | 1    | Spring-Idler            | 33   | 1-808280    | 1    | Pin-Clevis               |
| 13   | 7-3900      | 1    | Pad-Brake               | 34   | 1-806003    | 2    | Pin-Cotter               |
| 14   | 32144-70    | 2    | Screw-HWHTF             | 35   | 3274-55     | 2    | Screw-HSBH               |
| 15   | 3234-29     | 1    | Screw-HHF               | 36   | 3296-27     | 1    | Nut-Lock, NI             |
| 16   | 104-8300    | 4    | Nut-HF, NI              | 37   | 104-7201    | 1    | Nut-HF, NI               |
| 17   | 110-3318    | 2    | Bushing-Snap            | 39   | 131-8463    | 1    | Decal-Shift              |
| 18   | 127-8833    | 1    | Arm-Shift               | 40   | 131-8462-01 | 1    | Indicator-Shift          |
| 19   | 127-8830    | 1    | Shaft-Shifter           | 41   | 3245-20     | 1    | Screw-Set                |
| 20   | 131-8473    | 1    | Knob-Tapered            |      |             |      |                          |



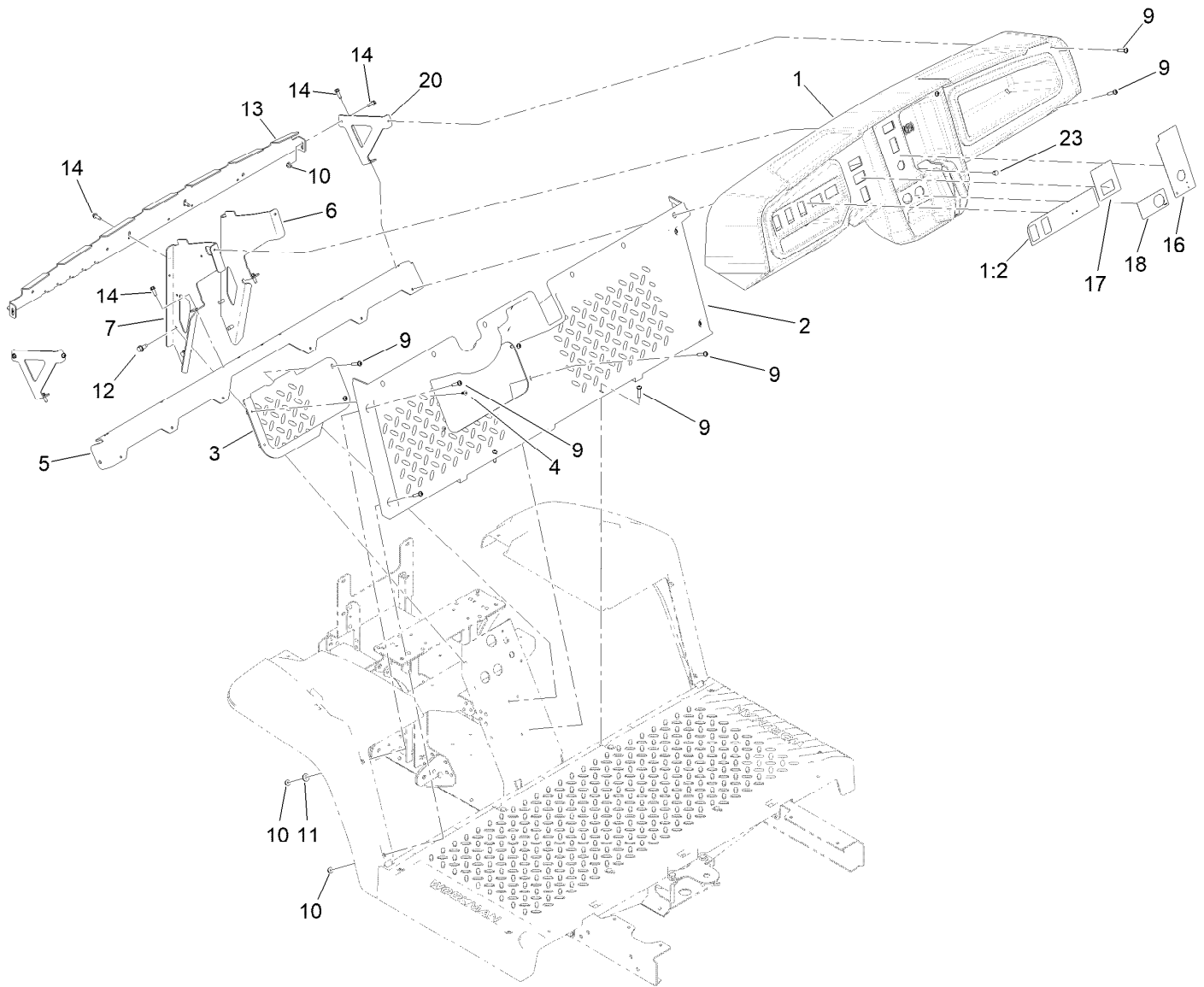
## Pedal and Control Assembly (continued)

| <i>Ref.</i> | <i>Part Number</i> | <i>Qty.</i> | <i>Description</i> |
|-------------|--------------------|-------------|--------------------|
| 43          | 140-4572           | 1           | Pedal Pad-Throttle |
| 44          | 115-5103           | 1           | Screw-HHF          |



## Hood and Fender Assembly

| <i>Ref.</i> | <i>Part Number</i> | <i>Qty.</i> | <i>Description</i>    | <i>Ref.</i> | <i>Part Number</i> | <i>Qty.</i> | <i>Description</i> |
|-------------|--------------------|-------------|-----------------------|-------------|--------------------|-------------|--------------------|
| 1           | 132-8530           | 1           | Bumper                | 12          | 127-7771           | 1           | Fender-Front, LH   |
| 2           | 131-8455-03        | 1           | Bracket-Headlight, LH | 13          | 127-7772           | 1           | Fender-Front, RH   |
| 3           | 131-8456-03        | 1           | Bracket-Headlight, RH | 14          | 3234-33            | 4           | Screw-HHF          |
| 4           | 46-8091            | 8           | Screw-HWH             | 15          | 3256-2             | 4           | Washer-Flat        |
| 5           | 138-9260           | 2           | Headlight ASM         | 16          | 104-7201           | 4           | Nut-HF, NI         |
| 6           | 115-2408           | 6           | Clip-Speed            | 17          | 32144-70           | 2           | Screw-HWHTF        |
| 7           | 136-6281           | 1           | Hood                  | 18          | 125-1122           | 2           | Screw              |
| 8           | 117-5094           | 2           | Pin-Clevis            | 19          | 131-8402           | 2           | Strap-Down, Hold   |
| 9           | 32121-50           | 2           | Pin-Spring            | 20          | 3296-56            | 2           | Nut-Lock, NI       |
| 10          | 112-3308           | 2           | Retainer-Pin          | 21          | 138-3527           | 2           | Decal-Fender       |
| 11          | 121-9605           | 6           | Screw-HWH             | 23          | 133-7210           | 1           | Seal-Trim, Hood    |

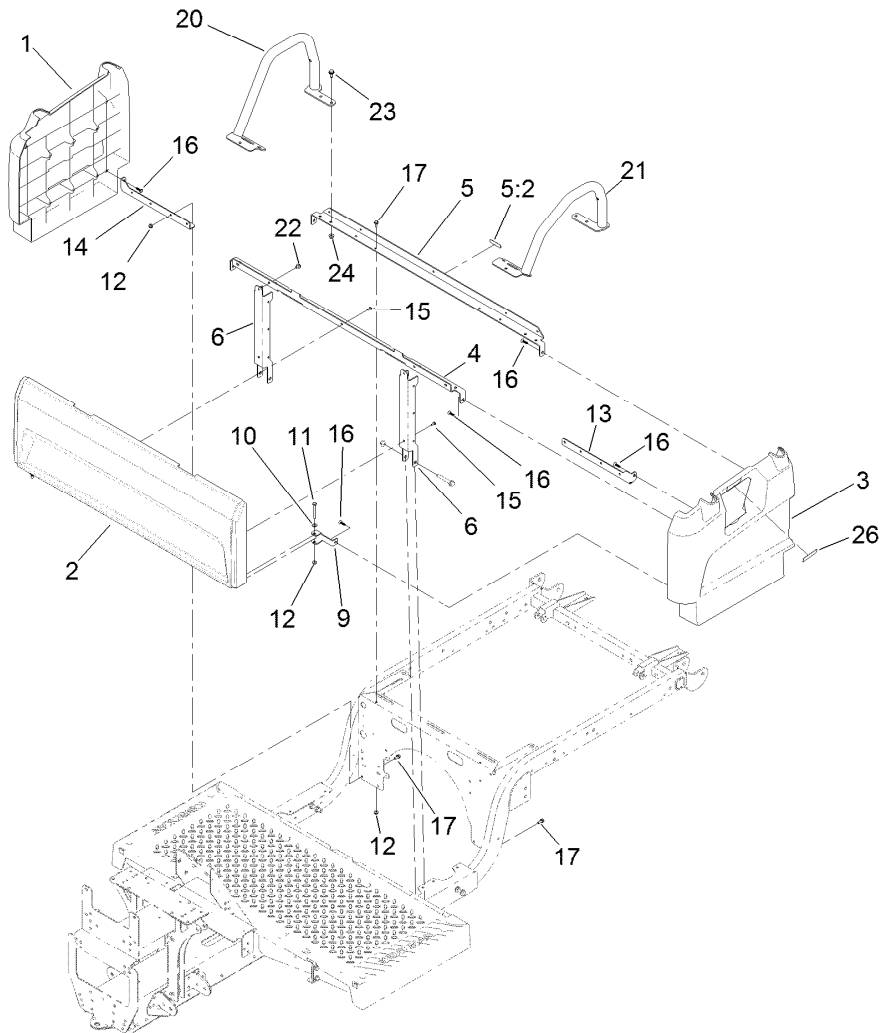


## Dash Assembly

| <i>Ref.</i> | <i>Part Number</i> | <i>Qty.</i> | <i>Description</i>   | <i>Ref.</i> | <i>Part Number</i> | <i>Qty.</i> | <i>Description</i>           |
|-------------|--------------------|-------------|----------------------|-------------|--------------------|-------------|------------------------------|
| 1           | 145-2099           | 1           | Dash-Gtx             | 11          | 3256-2             | 2           | Washer-Flat                  |
| 1:2         | 145-2261           | 1           | Decal-Dashboard, Gtx | 12          | 32144-70           | 4           | Screw-HWHTF                  |
| 2           | 127-7846           | 1           | Footboard            | 13          | 131-8568-03        | 1           | Reinforcement-Dash           |
| 3           | 127-7847           | 1           | Cover-Footboard      | 14          | 49-2040            | 8           | Screw-HWHTF                  |
| 4           | 107-7461           | 2           | Screw-Plastite       | 16          | 145-2262           | 1           | Decal-Control Panel, Gas EFI |
| 5           | 127-7831-03        | 1           | Angle                | 17          | 145-2265           | 1           | Decal-Dash Center, Gas EFI   |
| 6           | 131-8336-03        | 1           | Bracket-Dash, RH     | 18          | 131-8493           | 1           | Decal-USB                    |
| 7           | 145-2094-03        | 1           | Bracket-Dash, LH     | 20          | 131-8569-03        | 2           | Bracket-Dash, Side           |
| 9           | 132-6777           | 20          | Screw-Twh Thd Roll   | 23          | 104-9368           | 1           | Plug-Dome                    |
| 10          | 104-7201           | 6           | Nut-HF, NI           |             |                    |             |                              |

Reference Model 07048 For Bucket Seat Base Kit Parts

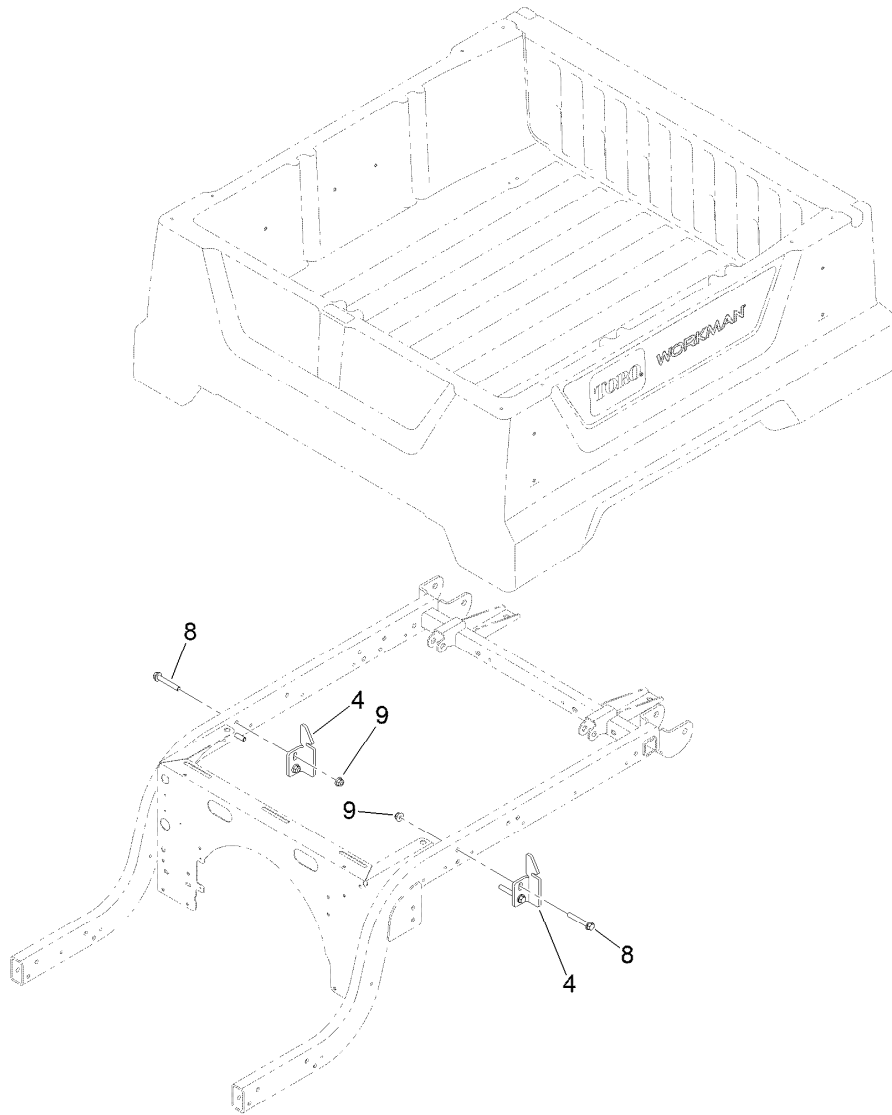
Reference Model 07047 For Bench Seat Base Kit Parts



## Seatbase Assembly

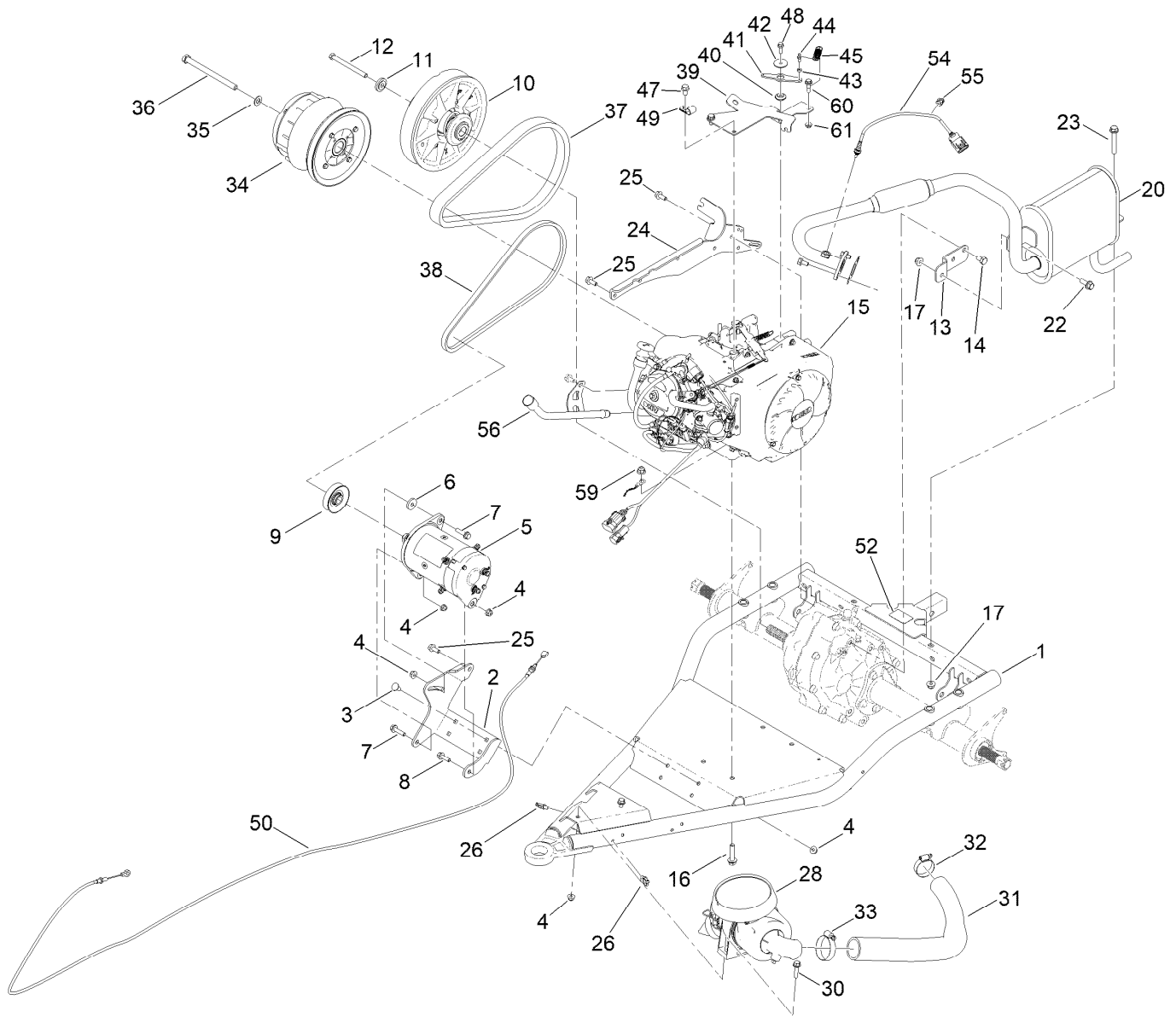
| <i>Ref.</i> | <i>Part Number</i> | <i>Qty.</i> | <i>Description</i>    | <i>Ref.</i> | <i>Part Number</i> | <i>Qty.</i> | <i>Description</i>         |
|-------------|--------------------|-------------|-----------------------|-------------|--------------------|-------------|----------------------------|
| 1           | 127-7805           | 1           | Side-Base, Seat (RH)  | 13          | 127-7842-03        | 1           | Bracket-Support, Side (LH) |
| 2           | 133-7188           | 1           | Panel-Base, Seat      | 14          | 127-7843-03        | 1           | Bracket-Support, Side (RH) |
| 3           | 127-7807           | 1           | Side-Base, Seat (LH)  | 15          | 112-6349           | 5           | Screw-HWH                  |
| 4           | 133-7345-03        | 1           | Support-Seat          | 16          | 120-2349           | 8           | Screw                      |
| 5           | 137-6991           | 1           | Seat Support ASM      | 17          | 3234-33            | 6           | Screw-HHF                  |
| 5:2         | 120-9570           | 1           | Decal-Warning         | 20          | 131-8352-05        | 1           | Restraint-Hip, RH          |
| 6           | 127-7841-03        | 2           | Channel-Support, Seat | 21          | 131-8353-05        | 1           | Restraint-Hip, LH          |
| 9           | 127-7844-03        | 2           | Clamp-Plate, Floor    | 22          | 46-6810            | 2           | Screw And Washer ASM       |
| 10          | 3256-22            | 2           | Washer-Flat           | 23          | 32144-70           | 6           | Screw-HWHTF                |
| 11          | 321-18             | 2           | Screw-HH              | 24          | 104-8300           | 6           | Nut-HF, NI                 |
| 12          | 104-7201           | 8           | Nut-HF, NI            | 26          | 131-8410           | 1           | Decal-Danger, Fuel         |





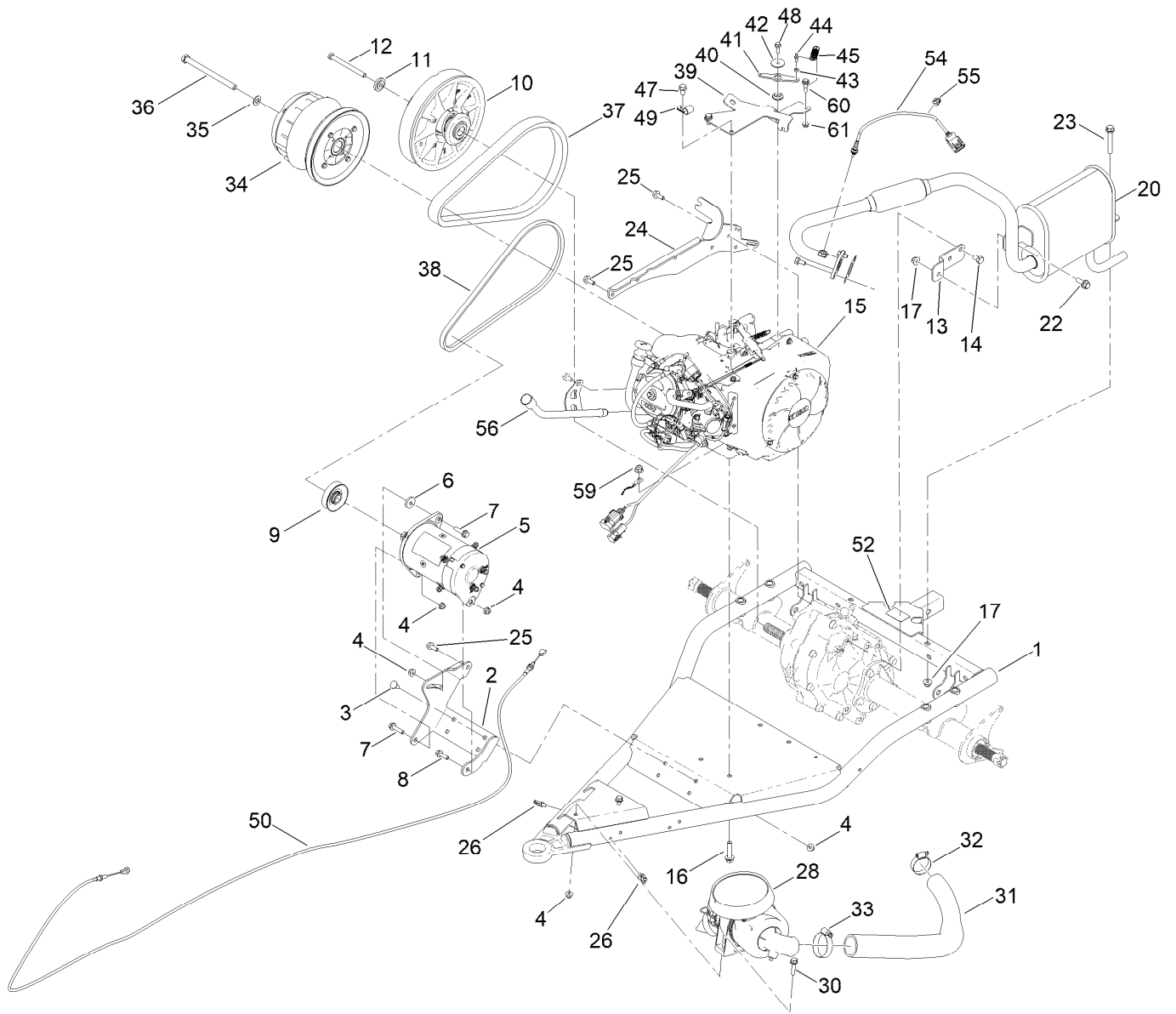
## Cargo Bed Assembly

| <i>Ref.</i> | <i>Part Number</i> | <i>Qty.</i> | <i>Description</i> |
|-------------|--------------------|-------------|--------------------|
| 4           | 127-7428-03        | 2           | Striker-Latch, Bed |
| 8           | 3234-39            | 4           | Screw-HHF          |
| 9           | 104-8301           | 4           | Nut-HF, NI         |



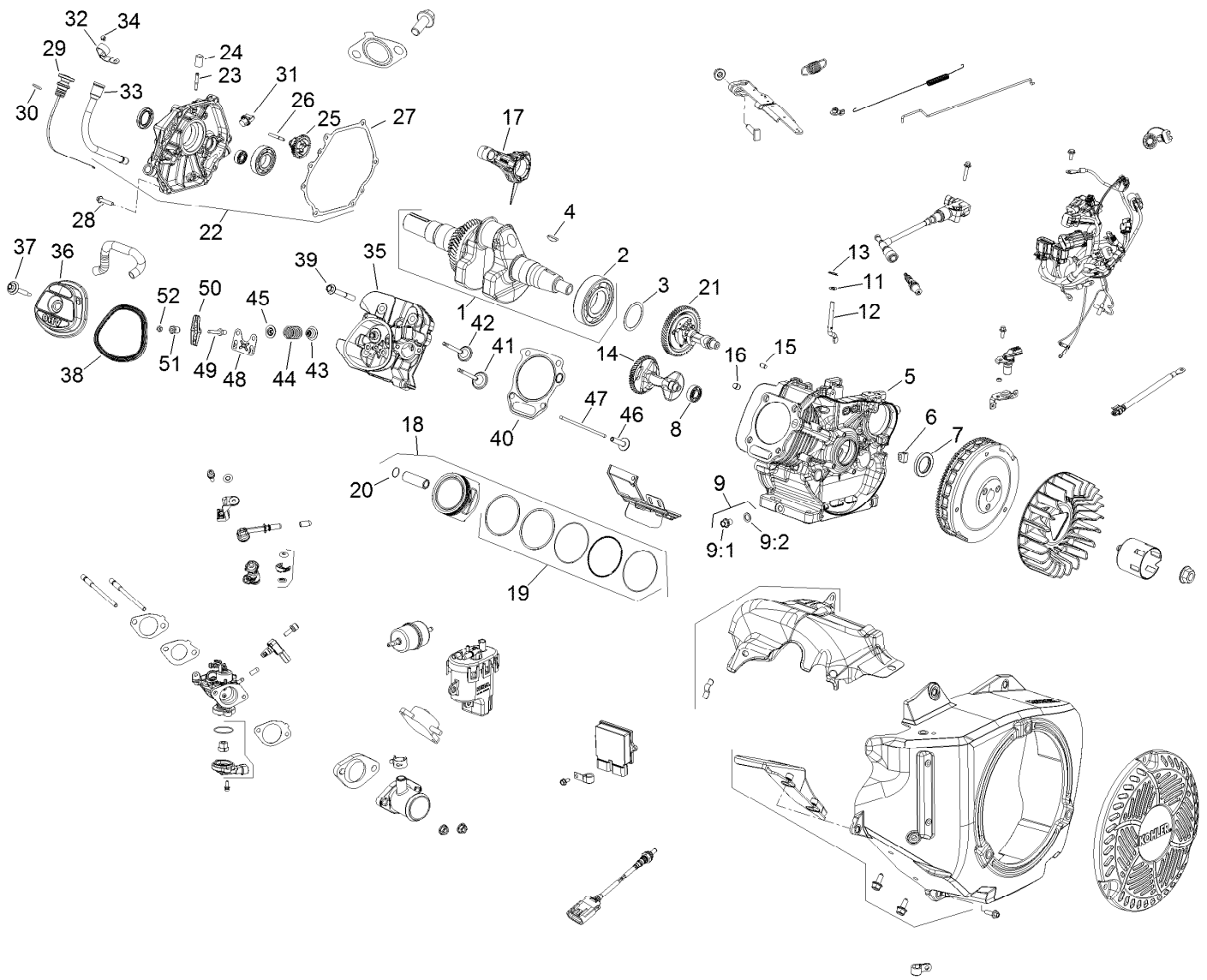
## Engine Assembly

| Ref. | Part Number | Qty. | Description               | Ref. | Part Number | Qty. | Description         |
|------|-------------|------|---------------------------|------|-------------|------|---------------------|
| 1    | 140-2558-03 | 1    | Gtx Swing Arm ASM         | 25   | 139-3392    | 6    | Screw-Lock          |
| 2    | 131-8503-03 | 1    | Bracket-Starter/Generator | 26   | 32180-030   | 2    | Clip-Tie            |
| 3    | 3230-23     | 4    | Bolt-CARR                 | 28   | 138-3447    | 1    | Air Cleaner ASM     |
| 4    | 104-8300    | 9    | Nut-HF, NI                | 30   | 3234-36     | 2    | Screw-HHF           |
| 5    | 131-8444    | 1    | Starter/Generator ASM     | 31   | 131-8489    | 1    | Hose-Intake, Air    |
| 6    | 65-8270     | 1    | Washer                    | 32   | 2412-111    | 1    | Clamp-Hose, W/Liner |
| 7    | 119-4036    | 2    | Screw-HHF                 | 33   | 2412-92     | 1    | Clamp-Hose          |
| 8    | 3234-29     | 1    | Screw-HHF                 | 34   | 138-0095    | 1    | Primary Clutch ASM  |
| 9    | 121-6277    | 1    | Pulley-Drive              | 35   | 3256-25     | 1    | Washer-Flat         |
| 10   | 119-6011    | 1    | Secondary Clutch ASM      | 36   | 131-8521    | 1    | Screw-HH            |
| 11   | 104-6563    | 1    | Washer-Stepped            | 37   | 131-8567    | 1    | Belt-Variable       |
| 12   | 119-0723    | 1    | Screw-HH, Lock            | 38   | 94-8803     | 1    | V-Belt, Impeller    |
| 13   | 131-8329    | 1    | Bracket-Muffler           | 39   | 144-2186    | 1    | Bracket-Throttle    |
| 14   | 70-8470     | 2    | Screw-HH                  | 40   | 131-8524    | 1    | Bushing-Flange      |
| 15   | 133-8092    | 1    | Engine-Kohler, Ech440     | 41   | 131-8504    | 1    | Lever-Throttle      |
| 16   | 140-4808    | 4    | Screw-HHF                 | 42   | 3256-55     | 1    | Washer-Flat         |
| 17   | 104-8301    | 2    | Nut-HF, NI                | 43   | 110-2619    | 1    | Keeper-Spring       |
| 20   | 138-9275    | 1    | Exhaust ASM               | 44   | 99-7847     | 1    | Ball-Stud           |
| 22   | 3234-42     | 1    | Screw-HHF                 | 45   | 71-5470     | 1    | Spring-Brake        |
| 23   | 3234-39     | 1    | Screw-HHF                 | 47   | 33104-016   | 2    | Screw-HHF           |
| 24   | 140-4648    | 1    | Plate-Spanner             | 48   | 33103-020   | 1    | Screw-HHF           |



## Engine Assembly (continued)

| <i>Ref.</i> | <i>Part Number</i> | <i>Qty.</i> | <i>Description</i>        | <i>Ref.</i> | <i>Part Number</i> | <i>Qty.</i> | <i>Description</i> |
|-------------|--------------------|-------------|---------------------------|-------------|--------------------|-------------|--------------------|
| 49          | 2412-138           | 1           | R-Clamp                   | 56          | 140-4595           | 1           | Dip Stick Tube ASM |
| 50          | 127-8860           | 1           | Cable-Accelerator         | 59          | 139-3380           | 4           | Nut-HF             |
| 52          | 137-9984           | 1           | Decal-Load, Towing        | 60          | 104-0858           | 1           | Bolt-Shoulder      |
| 54          | 136-6348           | 1           | Sensor-O2                 | 61          | 32128-33           | 1           | Nut-HF             |
| 55          | 32180-226          | 1           | Clip-Edge, Parallel W/Tie |             |                    |             |                    |

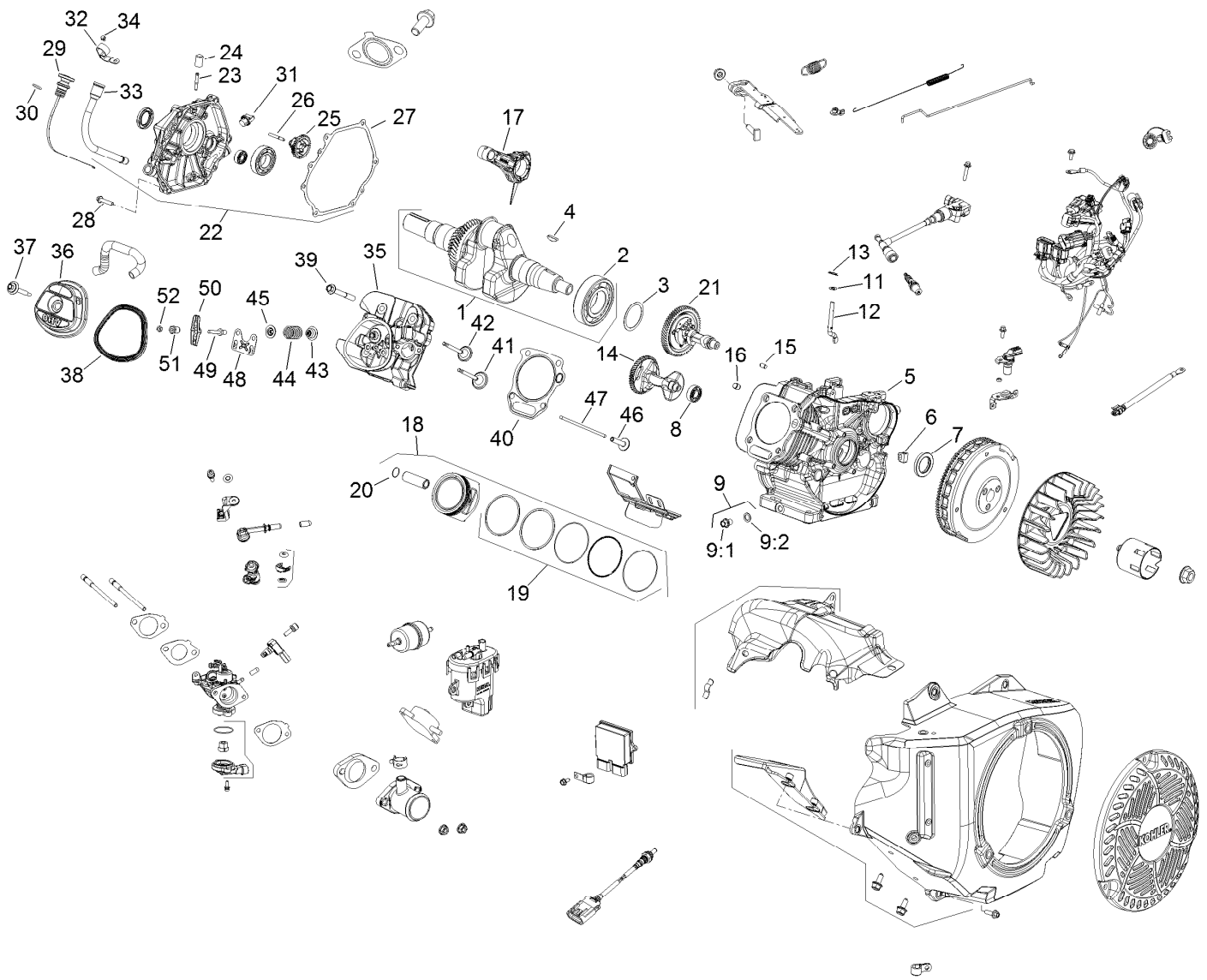


## Engine Assembly No. 133-8092

| Ref. | Part Number | Qty. | Description                | Ref. | Part Number | Qty. | Description             |
|------|-------------|------|----------------------------|------|-------------|------|-------------------------|
| 1    | 136-4909    | 1    | Crankshaft ASM             | 18   | 136-4977    | 1    | Piston W/Ring Set (STD) |
| 2    | 136-4918    | 2    | Bearing-Crankshaft         | 18   | 136-4978    | 1    | Piston Kit (0.25 Os)    |
| 3    | 136-4917    | 4    | Bearing-Shaft, Balance     | 18:1 |             | 1    | Piston (STD) ●■         |
| 4    | 136-4906    | 1    | Key-Flywheel               | 18:1 |             | 1    | Piston (0.25 Os) ●■     |
| 5    |             | 1    | Crankcase (Not Serviced) ■ | 18:2 | 136-4937    | 1    | Ring Set ●              |
| 6    | 136-4957    | 1    | Grommet-Crankcase          | 18:2 |             | 1    | Ring Set (0.25 Os) ●■   |
| 7    | 136-4920    | 2    | Seal-Crankshaft            | 18:3 | 136-4913    | 2    | Retainer-Piston ●       |
| 8    | 136-4916    | 2    | Adapter-Inlet, Air         | 18:3 | 136-4913    | 2    | Retainer-Piston ●       |
| 9    | 136-4942    | 2    | Drain Plug Kit             | 18:4 |             | 1    | Wrist Pin ●■            |
| 9:1  |             | 1    | Plug-Drain ■               | 18:4 |             | 1    | Pin-Wrist ●■            |
| 9:2  | 136-4967    | 1    | Washer-Plug, Drain         | 19   | 136-4937    | 2    | Ring Set                |
| 11   | 136-4968    | 2    | Washer-Flat                | 20   | 136-4913    | 2    | Retainer-Piston         |
| 12   | 136-4944    | 1    | Shaft-Cross, Governor      | 21   | 136-4908    | 1    | Camshaft ASM            |
| 13   | 136-4904    | 1    | Clip-Shaft, Governor       | 22   | 140-2402    | 1    | Kit-Closure Plate       |
| 14   | 136-4945    | 1    | Shaft-Balance              | 23   | 136-4955    | 1    | Fitting-Pump, Pulse     |
| 15   | 136-4965    | 2    | Pin-Dowel                  | 24   | 140-2403    | 1    | Cap-Masking             |
| 16   | 136-4964    | 2    | Pin-Dowel, Cylinder Head   | 25   | 136-4956    | 1    | Governor ASM            |
| 17   | 140-2401    | 1    | Connecting Rod ASM         | 26   | 136-4943    | 1    | Shaft-Gear, Governor    |

● Not illustrated

■ Not serviced separately

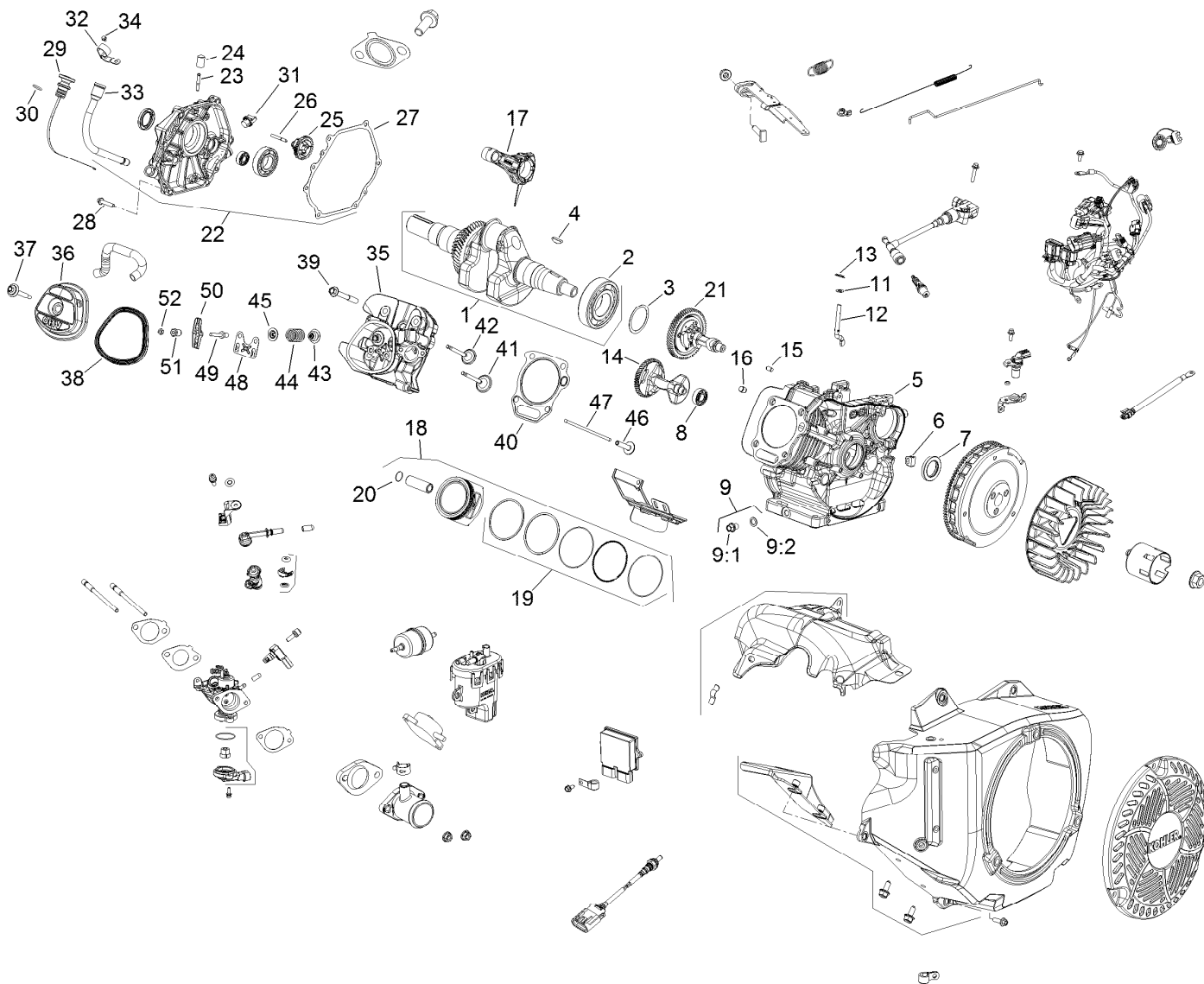


## Engine Assembly No. 133-8092 (continued)

| Ref. | Part Number | Qty. | Description                    | Ref.   | Part Number | Qty. | Description                  |
|------|-------------|------|--------------------------------|--------|-------------|------|------------------------------|
| 27   | 136-4923    | 1    | Gasket-Plate, Closure          | 36:3:1 |             | 1    | Screw-Cover, Valve ●■        |
| 28   | 136-4983    | 7    | Screw-Plate, Closure           | 36:3:2 |             | 1    | Gasket-Screw, Valve Cover ●■ |
| 29   | 140-2404    | 1    | Dipstick ASM                   | 37     | 136-4988    | 1    | Screw (Valve Cover Seal ASM) |
| 30   | 140-2405    | 1    | O-Ring-Dipstick Cap            | 37:1   |             | 1    | Screw-Cover, Valve ●■        |
| 31   | 136-4952    | 1    | Oil Fill Cap ASM               | 37:2   |             | 1    | Gasket-Screw, Valve Cover ●■ |
| 31:1 |             | 1    | Oil Fill Cap ●■                | 38     | 136-4927    | 1    | Gasket-Cover, Valve          |
| 31:2 |             | 1    | Gasket ●■                      | 39     | 140-2407    | 4    | Screw-Hex Flange             |
| 32   | 140-2406    | 1    | Bracket-Dipstick Tube          | 40     | 140-2408    | 1    | Head Gasket Kit              |
| 33   | 140-4595    | 1    | Dip Stick Tube ASM             | 41     | 136-4911    | 1    | Valve-Intake                 |
| 34   | 136-4991    | 1    | Screw-HF                       | 42     | 136-4912    | 1    | Retainer-Spring, Valve       |
| 35   | 136-4961    | 1    | Cylinder Head Kit              | 43     | 136-4919    | 2    | Seal-Stem, Valve             |
| 35:1 |             | 1    | Head-Cylinder ●■               | 44     | 136-4931    | 2    | Spring-Valve                 |
| 35:2 | 136-4929    | 2    | Stud-Intake ●                  | 45     | 136-4912    | 2    | Retainer-Spring, Valve       |
| 36   | 136-4935    | 1    | Valve Cover Kit                | 46     | 136-4963    | 2    | Lifter-Valve                 |
| 36:1 |             | 1    | Cover-Valve ●■                 | 47     | 136-4966    | 2    | Rod-Push                     |
| 36:2 | 136-4927    | 1    | Gasket-Cover, Valve ●          |        |             |      |                              |
| 36:3 | 136-4988    | 1    | Screw (Valve Cover Seal ASM) ● |        |             |      |                              |

● Not illustrated

■ Not serviced separately



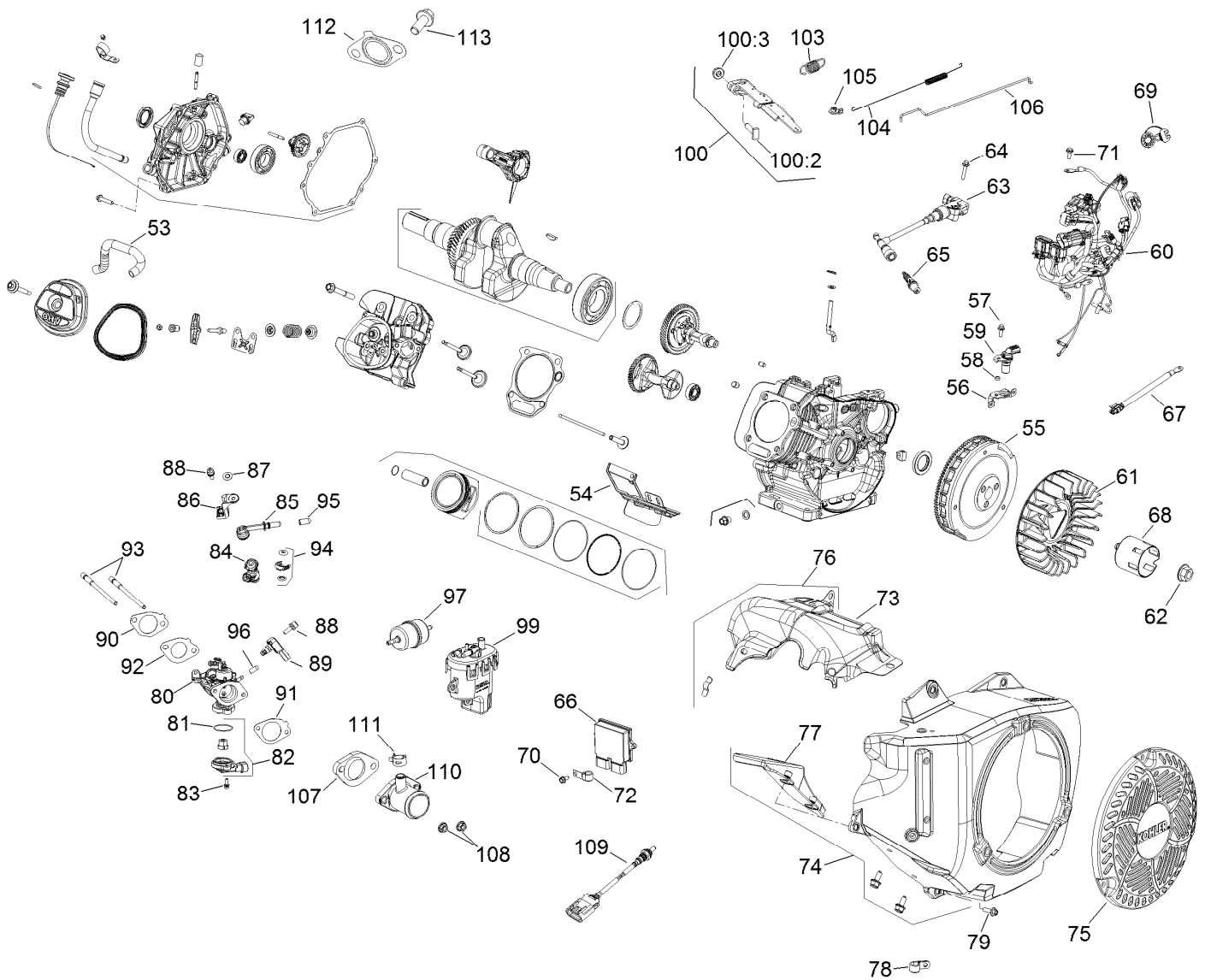
## Engine Assembly No. 133-8092 (continued)

| <i>Ref.</i> | <i>Part Number</i> | <i>Qty.</i> | <i>Description</i>   |
|-------------|--------------------|-------------|----------------------|
| 48          | 136-4946           | 1           | Plate-Guide, Pushrod |
| 49          | 136-4900           | 2           | Stud-Arm, Rocker     |
| 50          | 136-4953           | 2           | Arm-Rocker           |

| <i>Ref.</i> | <i>Part Number</i> | <i>Qty.</i> | <i>Description</i> |
|-------------|--------------------|-------------|--------------------|
| 51          | 136-4907           | 2           | Pivot-Arm, Rocker  |
| 52          | 136-4901           | 2           | Nut-HJ             |

● Not illustrated

■ Not serviced separately

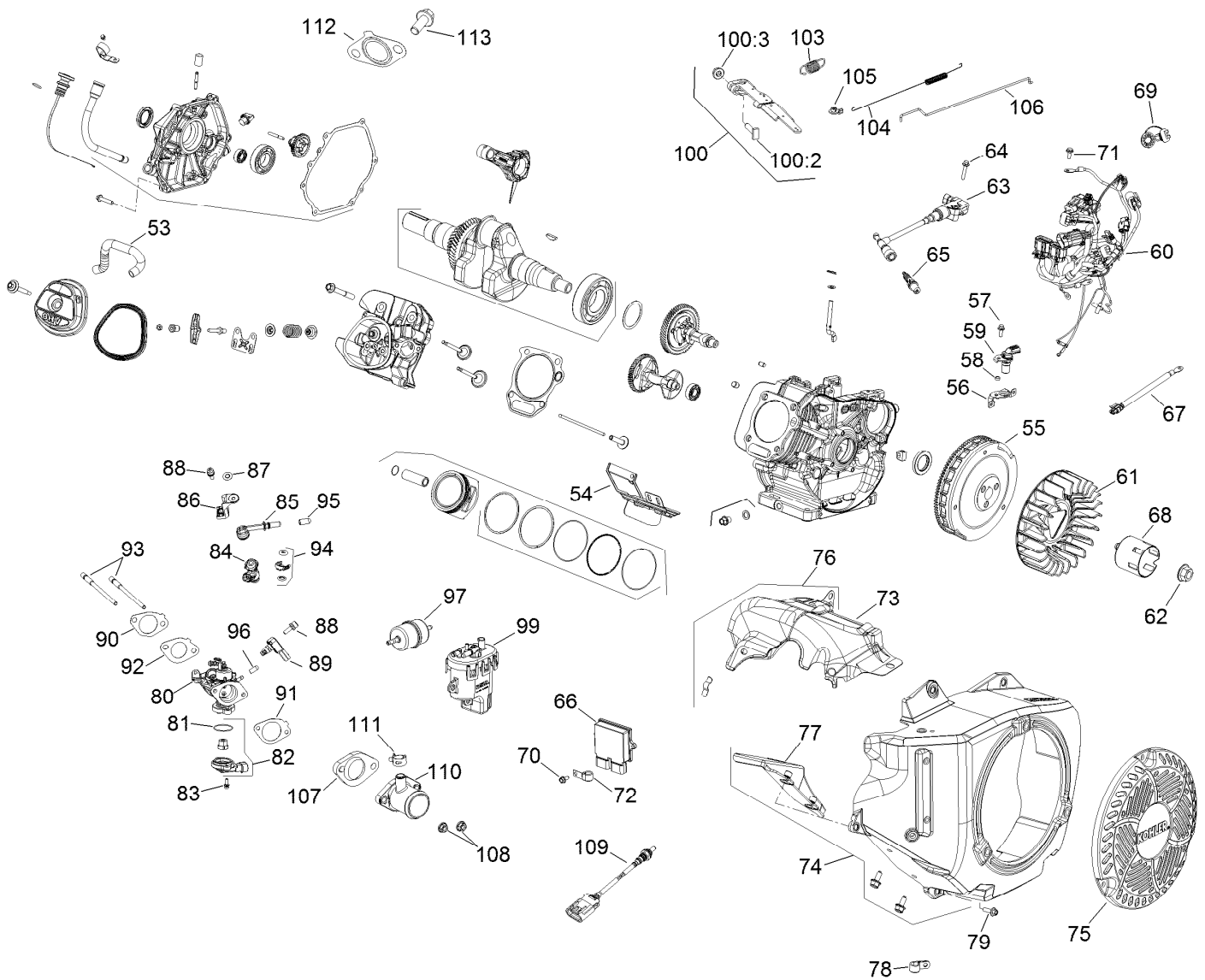


## Engine Assembly No. 133-8092

| Ref. | Part Number | Qty. | Description          | Ref. | Part Number | Qty. | Description                  |
|------|-------------|------|----------------------|------|-------------|------|------------------------------|
| 53   | 136-4962    | 1    | Hose-Breather        | 71   | 140-2422    | 3    | Screw-M6 X 16                |
| 54   | 140-2409    | 1    | Cylinder Shield ASM  | 72   | 140-2423    | 1    | Clip-Cable                   |
| 55   | 140-2410    | 1    | Flywheel ASM         | 73   | 140-2424    | 1    | Shield-Heat, Upper           |
| 56   | 140-2411    | 1    | Bracket-Crank Sensor | 74   | 140-2425    | 1    | Blower Housing Kit           |
| 57   | 140-2412    | 1    | Screw-Hex Flange     | 75   | 136-4950    | 1    | Screen-Housing, Blower       |
| 58   | 140-2413    | 1    | Spacer               | 76   | 140-2426    | 1    | Heat Shield Sm               |
| 59   | 140-2414    | 1    | Sensor-Speed         | 77   | 136-4958    | 1    | Flywheel Finger Guard ASM    |
| 60   | 140-2415    | 1    | Wiring Harness ASM   | 78   | 140-2427    | 1    | Clamp-Insulated              |
| 61   | 136-4949    | 1    | Fan-Flywheel         | 79   | 136-4982    | 5    | Screw                        |
| 62   | 136-4936    | 1    | Nut-Flywheel         | 80   | 140-2428    | 1    | Throttle Body And Gasket Kit |
| 63   | 140-2416    | 1    | Coil-Ignition, EFI   | 81   | 140-2429    | 1    | O-Ring                       |
| 64   | 140-2417    | 1    | Screw-Hex Flange, M6 | 82   | 140-2430    | 1    | Tps Kit                      |
| 65   | 131-8589    | 1    | Spark Plug           | 83   | 140-2431    | 2    | Screw-Hexalob Sems M4 X 0.7  |
| 66   | 140-2419    | 1    | Module-Ecu           | 84   | 140-2432    | 1    | Injector-Fuel                |
| 67   | 140-2420    | 1    | Lead-Sensor, Temp    | 85   | 140-2433    | 2    | Cap-Fuel Injector            |
| 68   | 136-4938    | 1    | Cup-Drive, Starter   | 86   | 140-2434    | 1    | Fuel Cap Bracket ASM         |
| 69   | 140-2421    | 2    | Cap-Connector        |      |             |      |                              |
| 70   | 136-4979    | 9    | Screw-HF             |      |             |      |                              |

● Not illustrated

■ Not serviced separately



## Engine Assembly No. 133-8092 (continued)

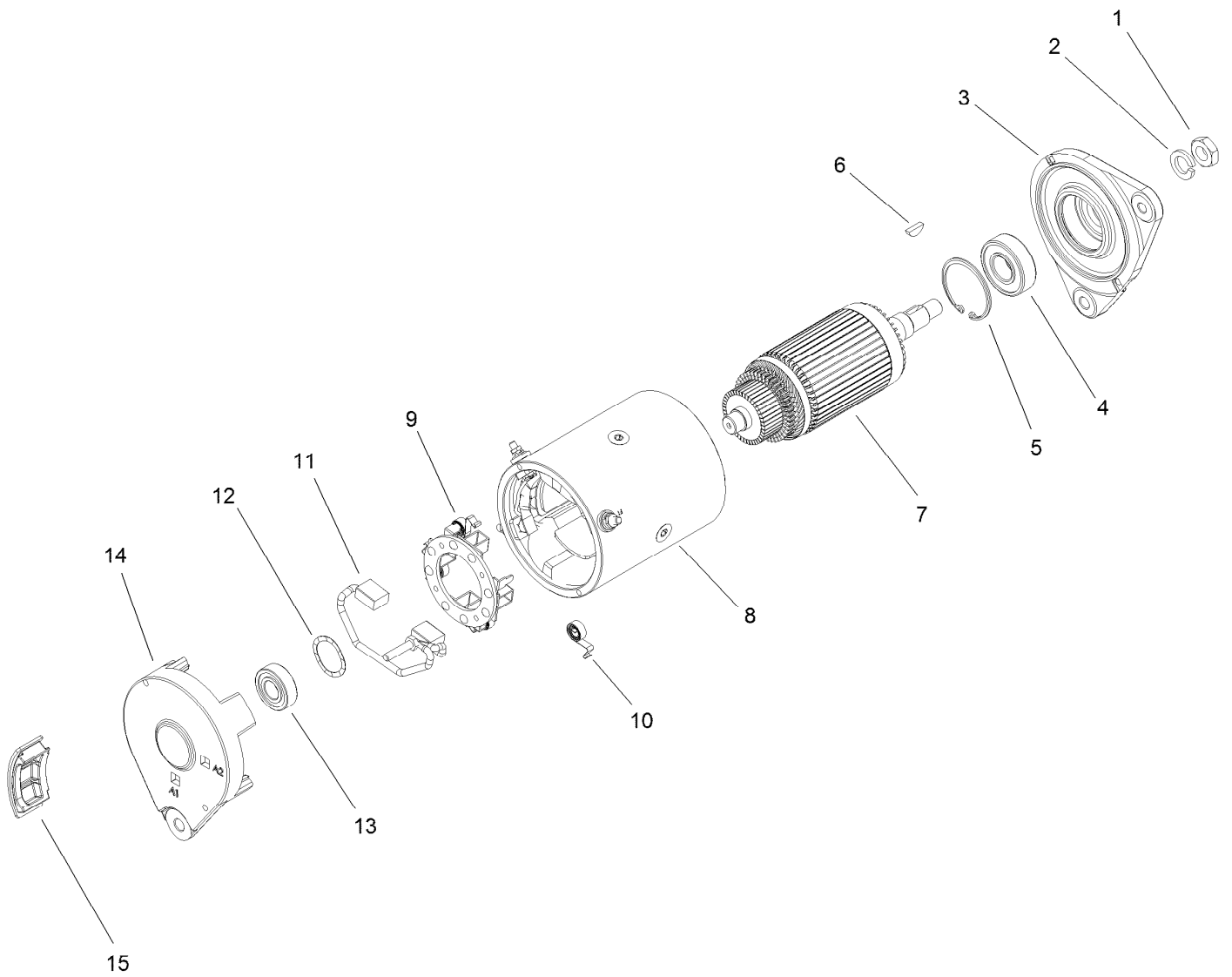
| Ref. | Part Number | Qty. | Description                     |
|------|-------------|------|---------------------------------|
| 87   | 140-2435    | 1    | Clip-Retainer                   |
| 88   | 140-2436    | 2    | Screw-Hexalob Sems M6 X 1       |
| 89   | 140-2437    | 1    | Sensor-Tmap                     |
| 90   | 136-4924    | 1    | Intake Gasket Kit               |
| 90:1 |             | 1    | Gasket (Insulator To Head) ●■   |
| 90:2 | 136-4925    | 1    | Gasket (Carb To Insulator) ●    |
| 90:3 | 136-4926    | 1    | Gasket-Cleaner, Air ●           |
| 91   | 140-2438    | 1    | Gasket-Throttle Body            |
| 92   | 140-2439    | 1    | Gasket-Insulator, T-Body        |
| 93   | 136-4929    | 2    | Stud-Intake                     |
| 94   | 140-2440    | 1    | Fuel Injector O-Ring Kit        |
| 95   | 140-2441    | 1    | Cap-Masking                     |
| 96   | 140-2442    | 1    | Cap-Masking                     |
| 97   | 140-2443    | 1    | Filter-Fuel                     |
| 99   | 140-2452    | 1    | Fuel Pump Module Kit-World Wide |

| Ref.  | Part Number | Qty. | Description              |
|-------|-------------|------|--------------------------|
| 100   | 136-4934    | 1    | Governor Lever Kit       |
| 100:1 |             | 1    | Lever-Governor ●■        |
| 100:2 | 136-4980    | 1    | Screw-Rect Head          |
| 100:3 | 136-4902    | 1    | Nut-HF                   |
| 103   | 136-4933    | 1    | Spring-Governor          |
| 104   | 140-2446    | 1    | Spring-Linkage           |
| 105   | 140-2447    | 1    | Bushing-Linkage Retainer |
| 106   | 140-2448    | 1    | Linkage-Governor         |
| 107   | 140-2449    | 1    | Insulator-Throttle Body  |
| 108   | 136-4903    | 2    | Nut-HF, Lock             |
| 109   | 140-2450    | 1    | Sensor-Oxygen            |
| 110   | 136-4916    | 1    | Adapter-Inlet, Air       |
| 111   | 140-2451    | 1    | Clamp-Breather Hose      |
| 112   | 136-4922    | 1    | Gasket-Muffler           |
| 113   | 136-4985    | 2    | Screw                    |

● Not illustrated

■ Not serviced separately

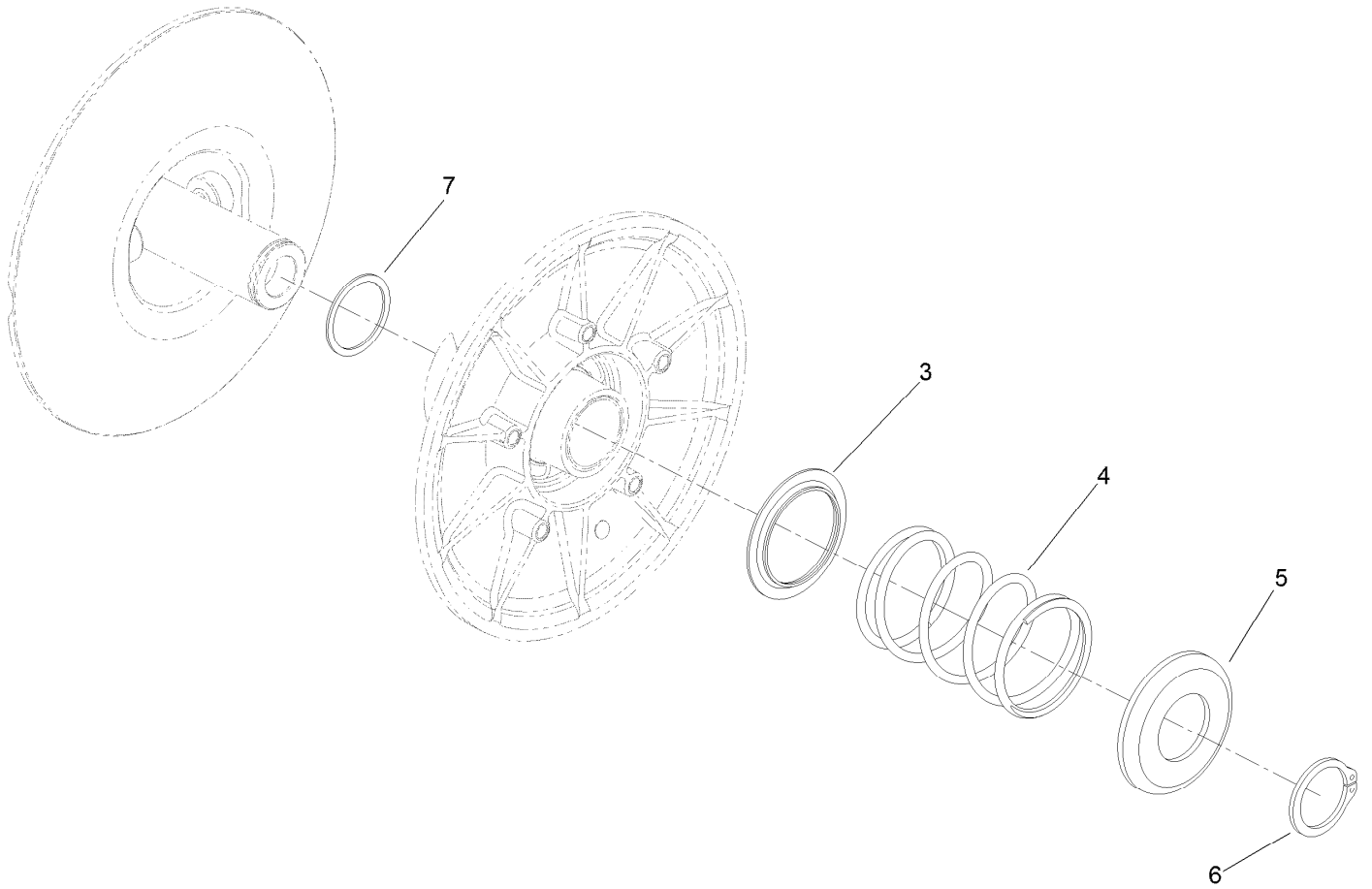




## Starter Generator Assembly No. 131-8444

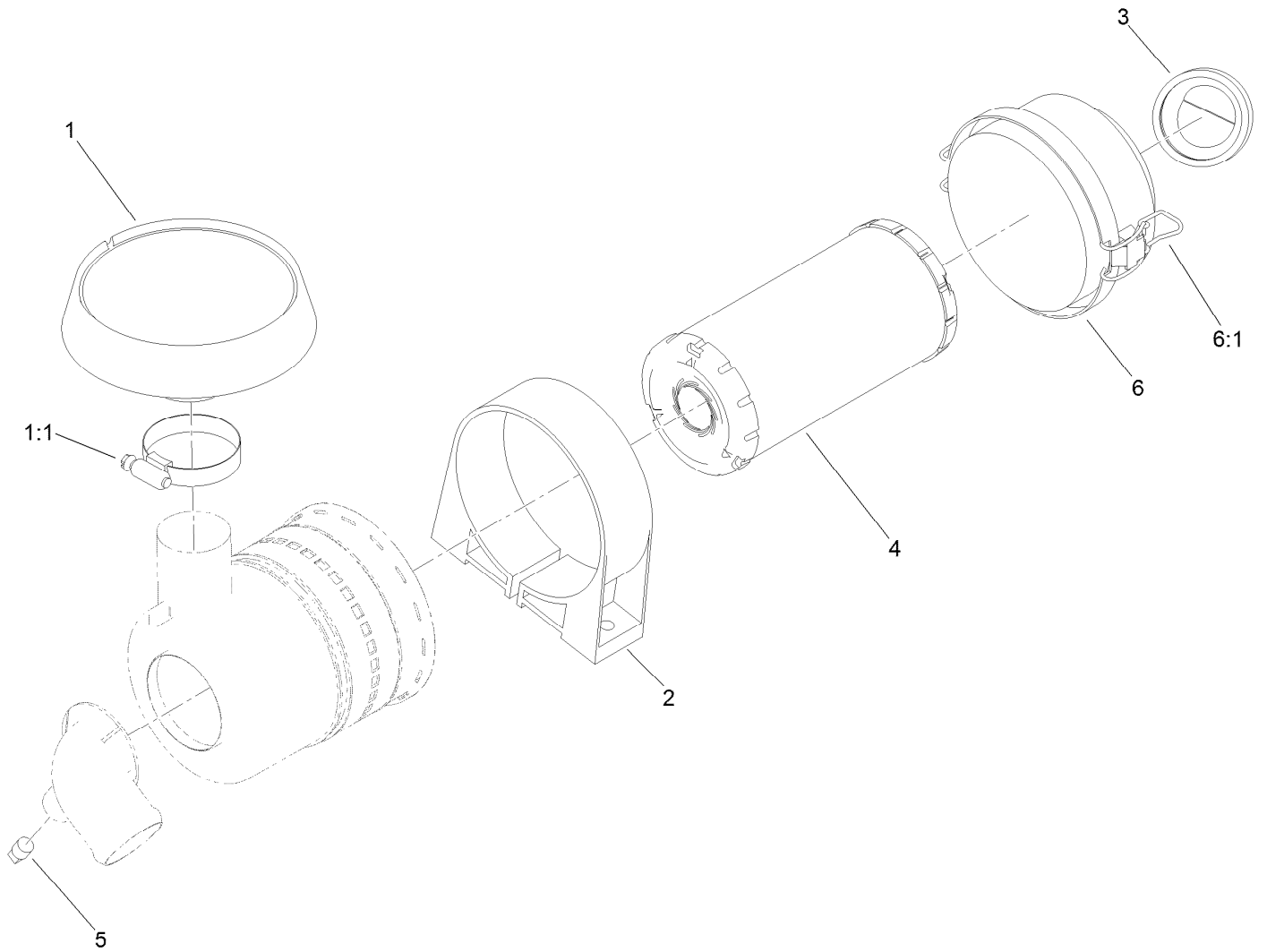
| Ref. | Part Number | Qty. | Description                         |
|------|-------------|------|-------------------------------------|
| 1    | 119-9651    | 1    | Nut                                 |
| 2    | 119-9652    | 1    | Washer-Lock                         |
| 3    | 133-0599    | 1    | Head-Drive End                      |
| 4    | 119-9655    | 1    | Bearing                             |
| 5    | 119-9656    | 1    | Ring-Retaining                      |
| 6    | 119-9657    | 1    | Key-Woodruff                        |
| 7    | 119-9658    | 1    | Armature ASM                        |
| 8    |             | 1    | Frame And Field Assembly ●          |
| 9    | 119-9661    | 1    | Brush Box ASM                       |
| 10   | 119-9660    | 4    | Spring-Brush                        |
| 11   | 119-9659    | 1    | Brush Lead And Terminal Service Kit |
| 12   | 119-9662    | 1    | Washer-Wave                         |
| 13   | 119-9663    | 1    | Bearing                             |
| 14   |             | 1    | Head-End, Cummutator ●              |
| 15   | 133-0600    | 4    | Plug-Rubber                         |

● Not serviced separately



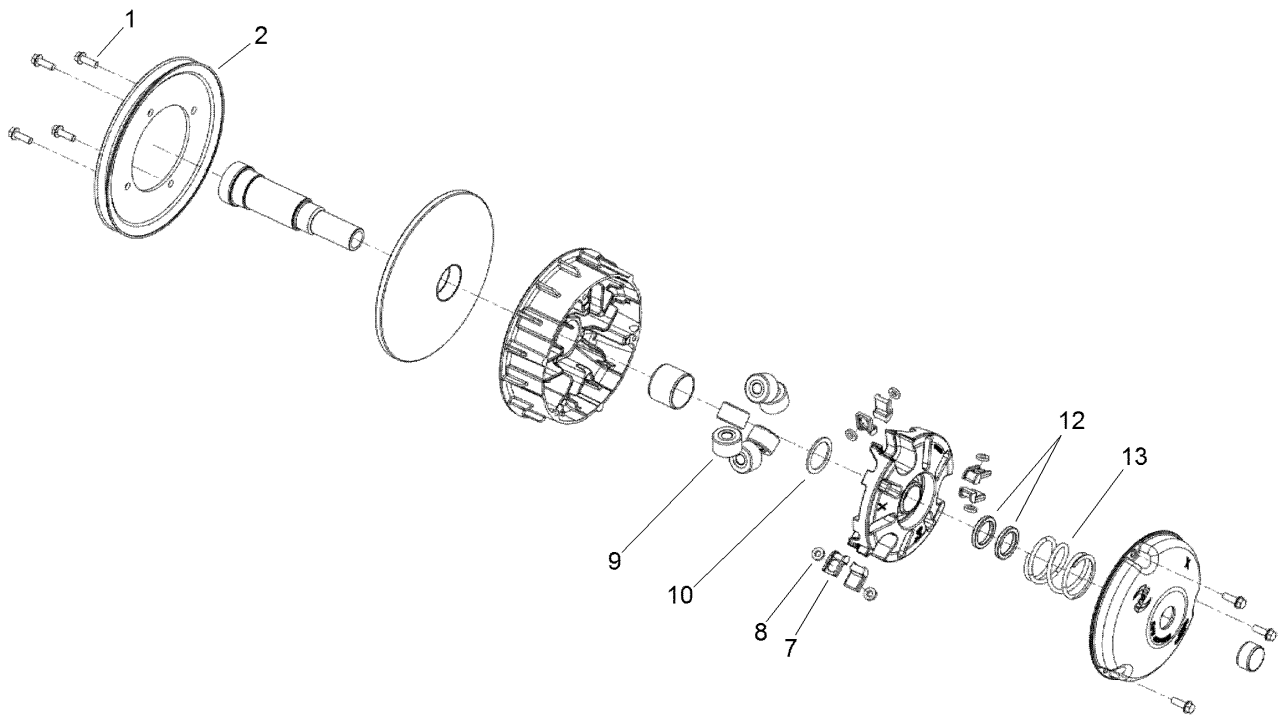
## Secondary Clutch Assembly No. 119-6011

| <i>Ref.</i> | <i>Part Number</i> | <i>Qty.</i> | <i>Description</i>               |
|-------------|--------------------|-------------|----------------------------------|
| 3           | 119-0809           | 1           | Cup-Spring Retainer, Inner       |
| 4           | 119-9360           | 1           | Spring-Compression, Black/Almond |
| 5           | 119-0810           | 1           | Cup-Spring Retainer, Outer       |
| 6           | 119-0811           | 1           | Ring-Retaining                   |
| 7           | 119-6018           | 1           | Shim-Thrust                      |



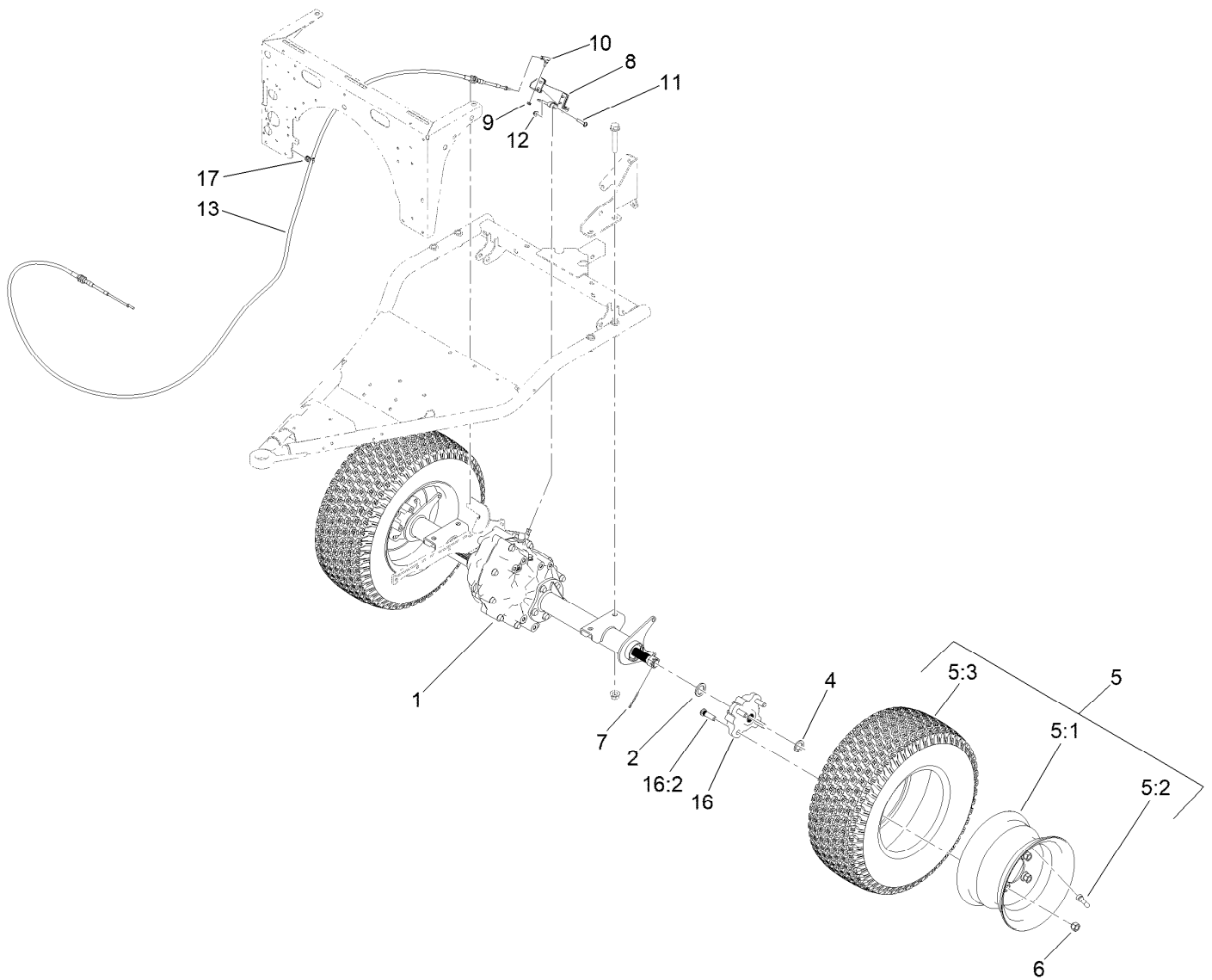
## Air Cleaner Assembly No. 138-3447

| <i>Ref.</i> | <i>Part Number</i> | <i>Qty.</i> | <i>Description</i>            |
|-------------|--------------------|-------------|-------------------------------|
| 1           | 136-7859           | 1           | Rain Cap Kit                  |
| 1:1         | 1-643009           | 1           | Clamp-Hose                    |
| 2           | 95-5806            | 1           | Bracket-Mounting, Air Cleaner |
| 3           | 87-9400            | 1           | Valve-Vacuator                |
| 4           | 108-3811           | 1           | Filter-Air                    |
| 5           | 281-7              | 1           | Cap-Pipe                      |
| 6           | 94-3652            | 1           | Cover ASM                     |
| 6:1         | 1-643283           | 2           | Latch-Cleaner, Air            |



## Primary Clutch Assembly No. 138-0095

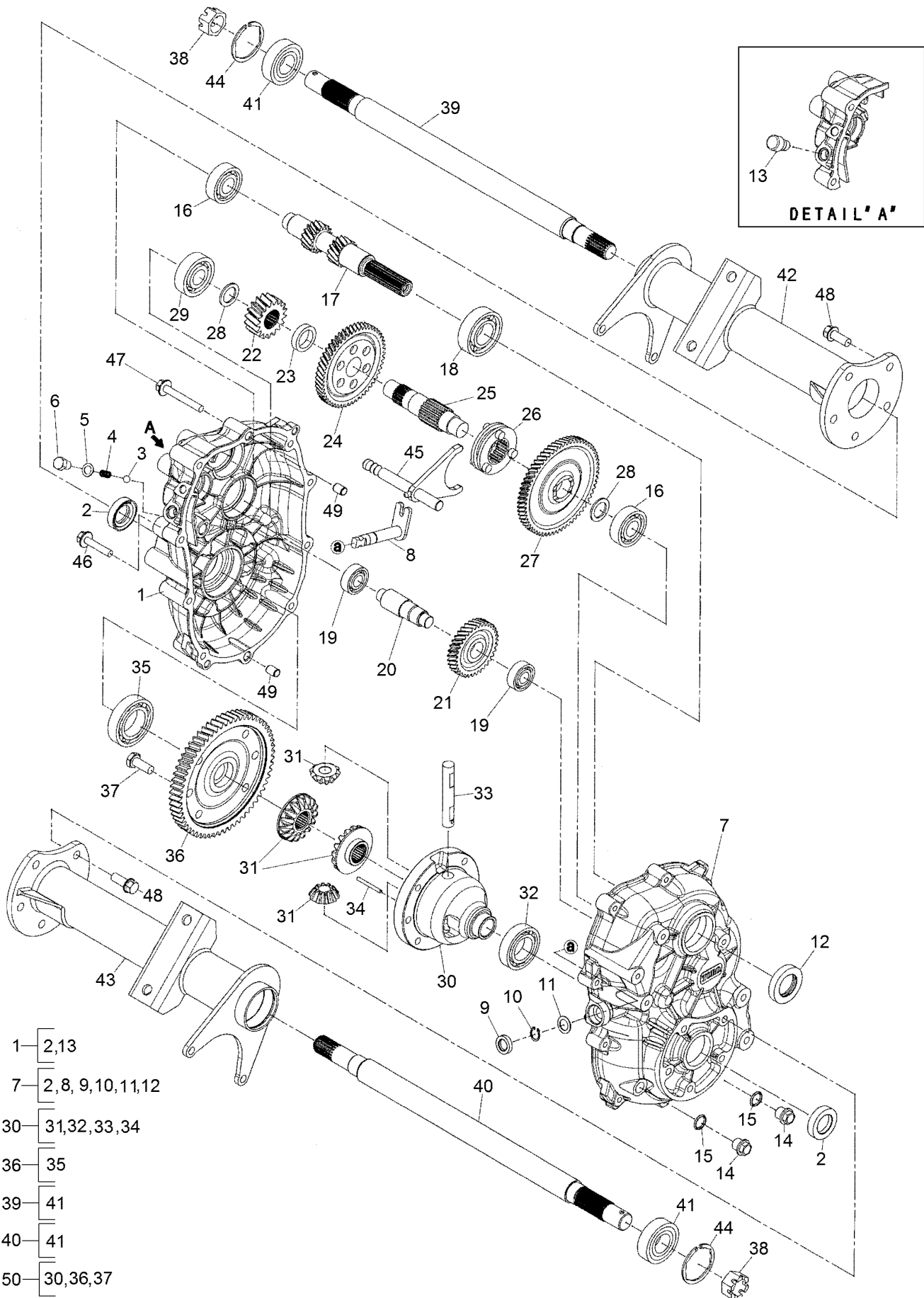
| <i>Ref.</i> | <i>Part Number</i> | <i>Qty.</i> | <i>Description</i>     |
|-------------|--------------------|-------------|------------------------|
| 1           | 49-2040            | 7           | Screw-HWHTF            |
| 2           | 119-0813           | 1           | Pulley-Primary         |
| 7           | 127-8689           | 6           | Button-Primary, Torque |
| 8           | 127-8690           | 6           | Plug-Button, Torque    |
| 9           | 119-0804           | 6           | Weight-Roller          |
| 10          | 119-0812           | 1           | Shim-Spider            |
| 12          | 119-0807           | 2           | Shim-Limiter           |
| 13          | 119-9532           | 1           | Spring-Red/White       |



## Rear Wheel and Transaxle Assembly

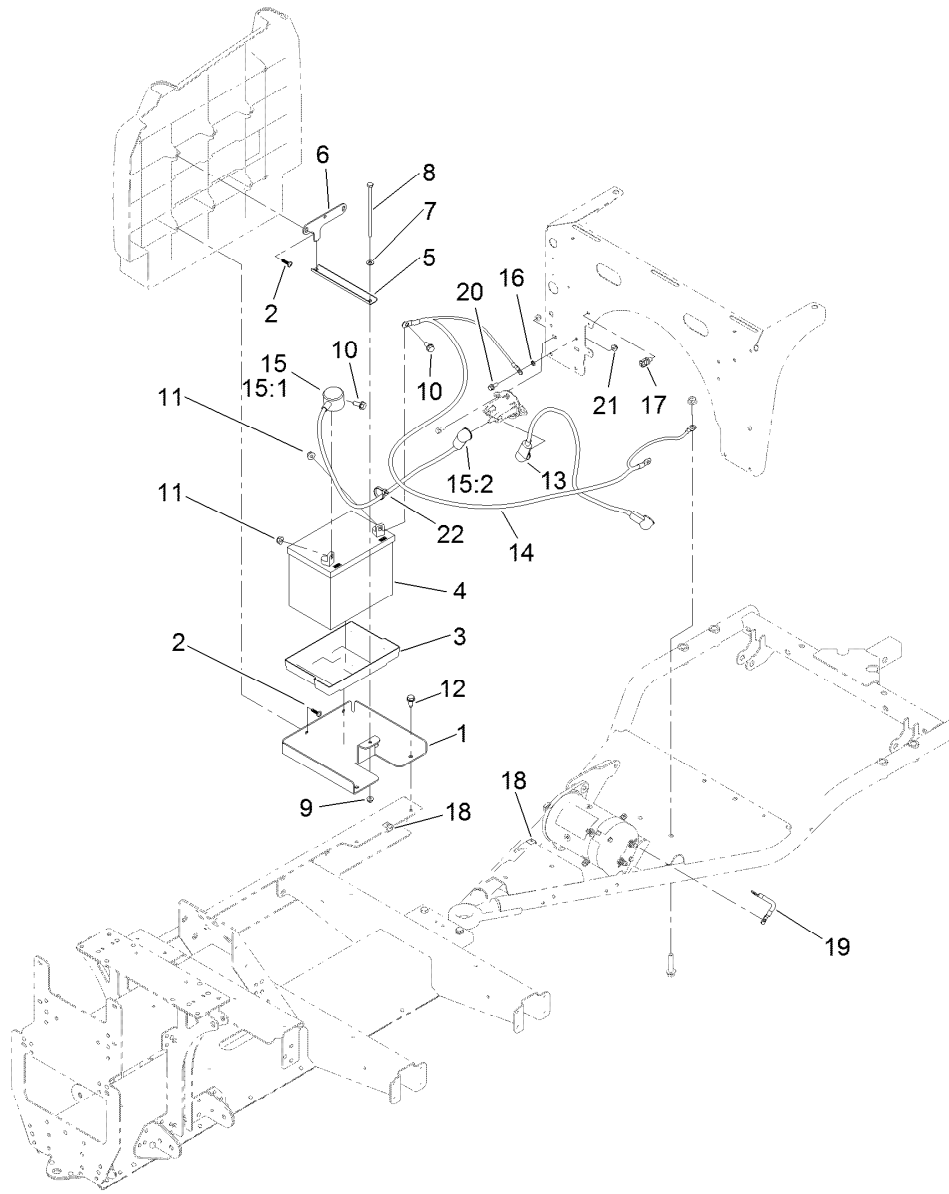
| Ref. | Part Number | Qty. | Description        | Ref. | Part Number | Qty. | Description                    |
|------|-------------|------|--------------------|------|-------------|------|--------------------------------|
| 1    | 131-3486    | 1    | Transaxle          | 9    | 3296-27     | 1    | Nut-Lock, NI                   |
| 2    | 131-8570    | 2    | Spacer-Hardened    | 10   | 2411-38     | 1    | Joint-Ball                     |
| 4    | 3-7898      | 2    | Washer-Thrust      | 11   | 132-6777    | 1    | Screw-Twh Thd Roll             |
| 5    | 139-4495    | 2    | Wheel And Tire ASM | 12   | 104-7201    | 1    | Nut-HF, NI                     |
| 5:1  | 131-8317    | 1    | Wheel              | 13   | 127-8897    | 1    | Cable-Shift                    |
| 5:2  | 232-27      | 1    | Stem-Valve         | 16   | 140-9951    | 2    | Rear Hub ASM                   |
| 5:3  | 139-4475    | 1    | Tire-20 X 8.00-10  | 16:2 | 10-6830     | 4    | Stud-Type, Drive               |
| 6    | 242-50      | 8    | Nut-Lug            | 17   | 32180-225   | 1    | Clip-Edge, Perpendicular W/Tie |
| 7    | 1-806800    | 2    | Pin-Cotter         |      |             |      |                                |
| 8    | 133-7260-03 | 1    | Arm-Shift          |      |             |      |                                |

# Transaxle Assembly No. 131-3486



## Transaxle Assembly No. 131-3486 (continued)

| <i>Ref.</i> | <i>Part Number</i> | <i>Qty.</i> | <i>Description</i> | <i>Ref.</i> | <i>Part Number</i> | <i>Qty.</i> | <i>Description</i>     |
|-------------|--------------------|-------------|--------------------|-------------|--------------------|-------------|------------------------|
| 1           | 133-2400           | 1           | Case-LH            | 26          | 133-2419           | 1           | Clutch-Pin             |
| 2           | 133-2401           | 2           | Seal-Oil           | 27          | 133-2420           | 1           | Gear                   |
| 3           | 104-1660           | 1           | Ball-Steel         | 28          | 133-2421           | 2           | Spacer                 |
| 4           | 104-1661           | 1           | Spring             | 29          | 133-2422           | 1           | Bearing-Ball           |
| 5           | 104-1662           | 1           | Gasket             | 30          | 133-2423           | 1           | Case-Differential      |
| 6           | 104-1663           | 1           | Bolt               | 31          | 133-2424           | 1           | Set-Gear, Differential |
| 7           | 133-2402           | 1           | Case-RH            | 32          | 133-2425           | 1           | Bearing-Ball           |
| 8           | 133-2403           | 1           | Shaft-Select       | 33          | 104-1644           | 1           | Shaft-Differential     |
| 9           | 133-2446           | 1           | Seal-Oil           | 34          | 104-1645           | 1           | Pin                    |
| 10          | 133-2404           | 1           | Ring-Snap          | 35          | 133-2426           | 1           | Bearing-Ball           |
| 11          | 133-2405           | 1           | Spacer             | 36          | 133-2427           | 1           | Gear                   |
| 12          | 104-1607           | 1           | Seal-Oil           | 37          | 104-1649           | 6           | Bolt                   |
| 13          | 133-2406           | 1           | Breather-Air       | 38          | 133-2428           | 2           | Nut-Castle             |
| 14          | 133-2407           | 2           | Plug-Drain, Oil    | 39          | 133-2429           | 1           | Shaft-Axle, LH         |
| 15          | 133-2408           | 2           | Gasket             | 40          | 133-2430           | 1           | Shaft-Axle, RH         |
| 16          | 133-2409           | 2           | Bearing-Ball       | 41          | 133-2431           | 2           | Bearing-Ball           |
| 17          | 133-2410           | 1           | Shaft-Input        | 42          | 133-2432           | 1           | Case-Axle, LH          |
| 18          | 133-2411           | 1           | Bearing-Ball       | 43          | 133-2433           | 1           | Case-Axle, RH          |
| 19          | 133-2412           | 2           | Bearing-Ball       | 44          | 133-2434           | 2           | Ring-Snap              |
| 20          | 133-2413           | 1           | Shaft-Counter      | 45          | 133-2435           | 1           | Shaft-Shift            |
| 21          | 133-2414           | 1           | Gear               | 46          | 133-2436           | 1           | Bolt-Flange            |
| 22          | 133-2415           | 1           | Gear               | 47          | 133-2437           | 9           | Bolt-Flange            |
| 23          | 133-2416           | 1           | Collar             | 48          | 133-2438           | 10          | Bolt-Flange            |
| 24          | 133-2417           | 1           | Gear               | 49          | 133-2439           | 2           | Pipe-Knock             |
| 25          | 133-2418           | 1           | Shaft-Center       | 50          | 133-2440           | 1           | Differential ASM       |

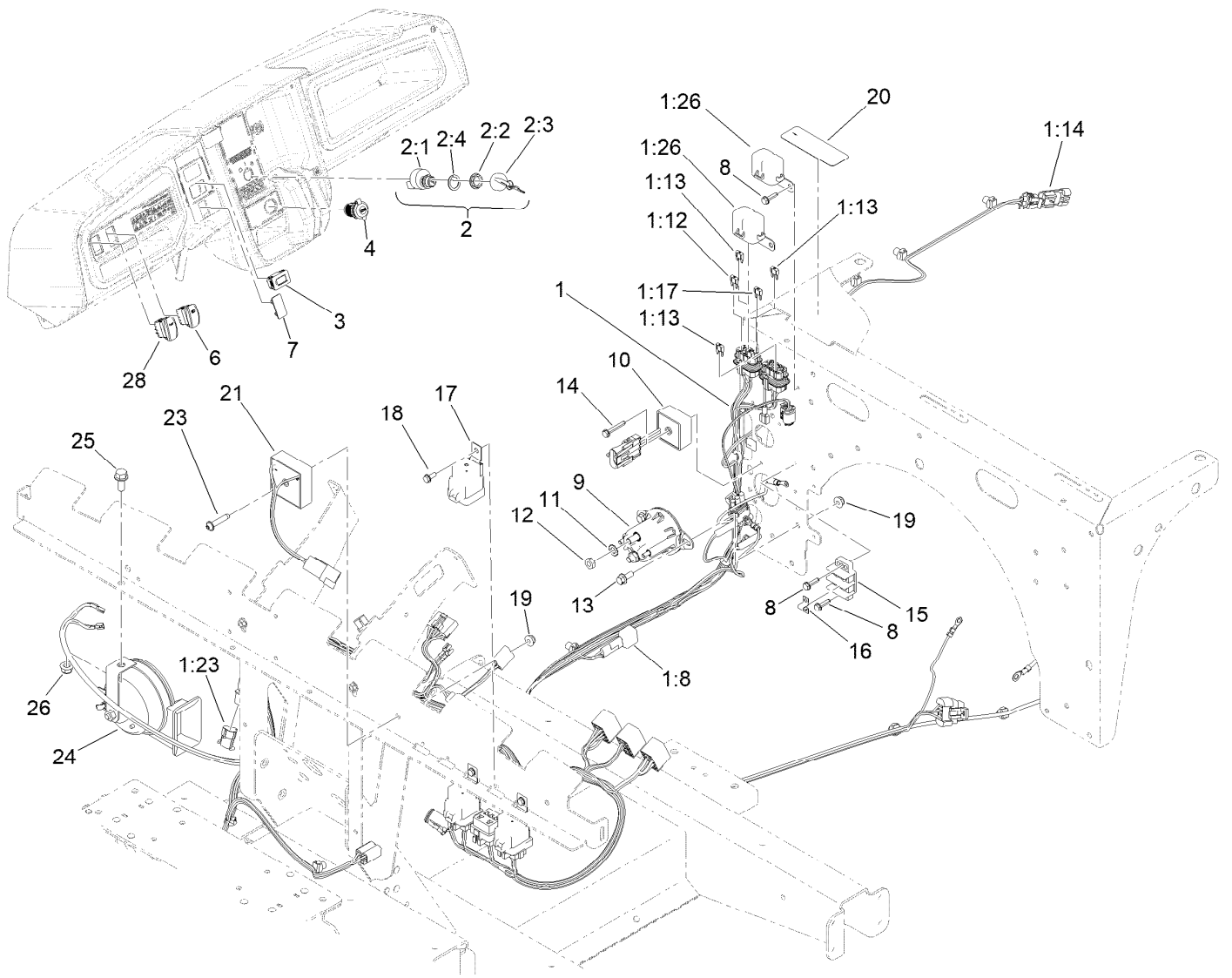


## Battery and Cable Assembly

| <i>Ref.</i> | <i>Part Number</i> | <i>Qty.</i> | <i>Description</i>      | <i>Ref.</i> | <i>Part Number</i> | <i>Qty.</i> | <i>Description</i>                |
|-------------|--------------------|-------------|-------------------------|-------------|--------------------|-------------|-----------------------------------|
| 1           | 127-7810-03        | 1           | Base-Battery            | 15          | 109-7621           | 1           | Positive Battery Cable ASM        |
| 2           | 120-2349           | 4           | Screw                   | 15:1        | 1-543393           | 1           | Insulator-Solenoid                |
| 3           | 106948             | 1           | Tray-Battery            | 15:2        | 109-2407           | 1           | Insulator-Battery                 |
| 4           | 104-8162           | 1           | Battery                 | 16          | 3255-7             | 1           | Washer-Lock/EXT                   |
| 5           | 127-7816-03        | 1           | Channel-Clamp, Battery  | 17          | 32180-030          | 1           | Clip-Tie                          |
| 6           | 127-7814-03        | 1           | Plate-Clamp, Battery    | 18          | 32180-082          | 3           | Clip-Edge W/Tie,<br>Perpendicular |
| 7           | 3256-22            | 1           | Washer-Flat             | 19          | 122-1176           | 1           | Cable-Battery, Negative           |
| 8           | 321-47             | 1           | Screw-HH                | 20          | 3234-33            | 1           | Screw-HHF                         |
| 9           | 104-7201           | 1           | Nut-HF, NI              | 21          | 104-7201           | 1           | Nut-HF, NI                        |
| 10          | 3234-5             | 2           | Screw-HHF               | 22          | 3290-378           | 1           | Tie-Cable                         |
| 11          | 104-8300           | 2           | Nut-HF, NI              | 99          | 107-0392           | 1           | Protection-Terminal, Aerosol<br>● |
| 12          | 32144-70           | 2           | Screw-HWHTF             |             |                    |             |                                   |
| 13          | 122-0639           | 1           | Cable-Battery, Positive |             |                    |             |                                   |
| 14          | 122-0638           | 1           | Cable-Battery, Negative |             |                    |             |                                   |

● Not illustrated



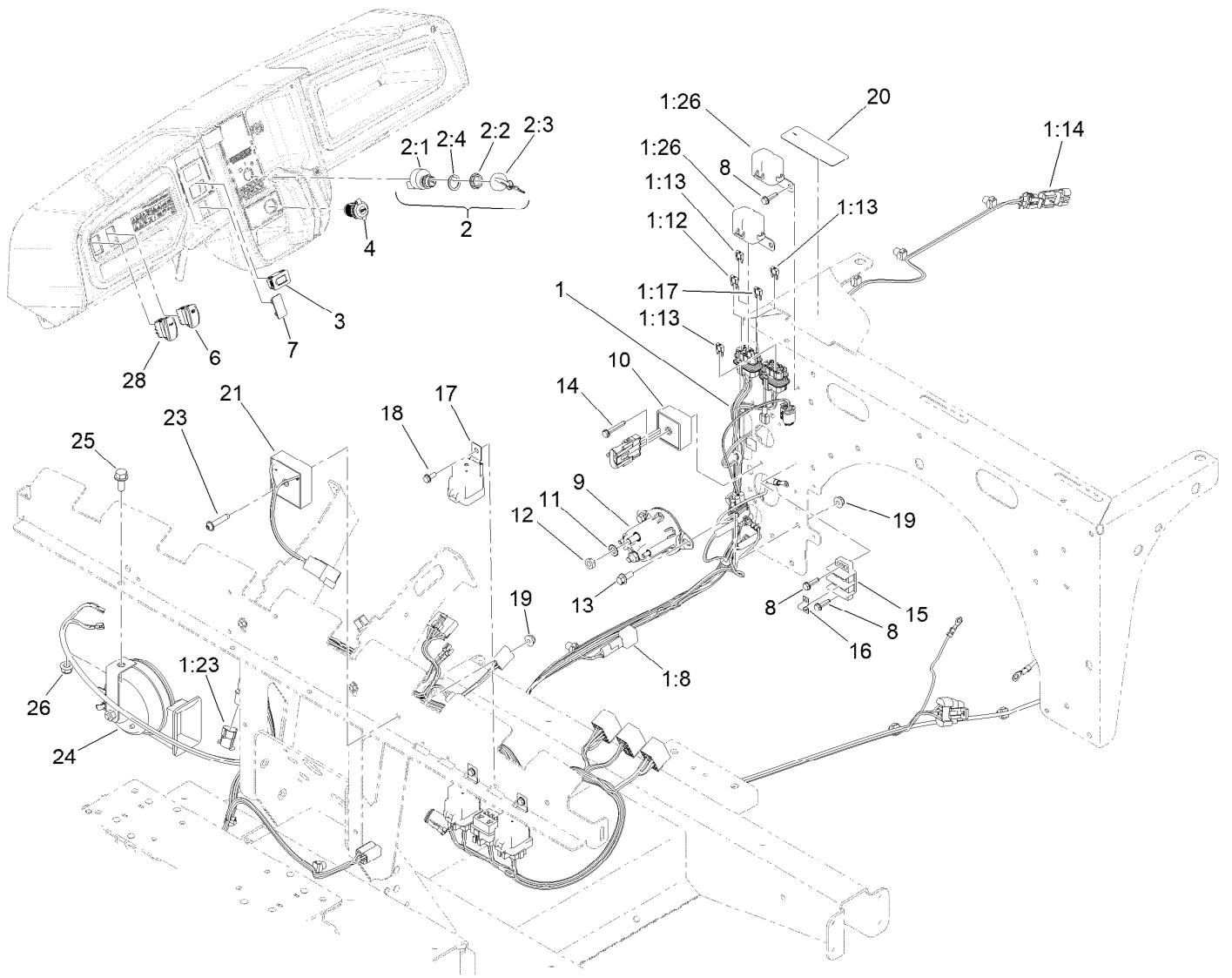


## Electrical Assembly

| Ref. | Part Number | Qty. | Description               | Ref. | Part Number | Qty. | Description                |
|------|-------------|------|---------------------------|------|-------------|------|----------------------------|
| 1    | 122-2510    | 1    | Harness-Wire, Gtx, EFI    | 7    | 99-7420     | 1    | Plug-Hole                  |
| 1:8  | 100-4918    | 3    | Diode                     | 8    | 100-4351    | 5    | Screw-HWH                  |
| 1:12 | 121-8867    | 1    | Fuse-Mini Blade, 15 Amp   | 9    | 114-3315    | 1    | Solenoid                   |
| 1:13 | 121-8866    | 3    | Fuse-Mini Blade, 10 Amp   | 10   | 119-9492    | 1    | Regulator-Voltage          |
| 1:14 | 32160-093   | 1    | Connector-Mp280, 2M       | 11   | 3255-8      | 2    | Washer-Lock                |
| 1:17 | 121-8868    | 1    | Fuse-Mini Blade, 20 Amp   | 12   | 3220-2      | 2    | Nut-Jam                    |
| 1:23 | 32180-056   | 1    | Cap                       | 13   | 3234-33     | 2    | Screw-HHF                  |
| 1:24 | 32180-156   | 1    | Cap-Plug, 6 Way ●         | 14   | 100-4352    | 1    | Screw-HWH                  |
| 1:26 | 32180-179   | 2    | Cover-Bussman             | 15   | 42862       | 1    | Block-Terminal, Ground     |
| 2    | 122-1145    | 1    | Ignition Switch ASM       | 16   | 42863       | 1    | Strip-Jumper               |
| 2:1  |             | 1    | Switch-Ignition ■         | 17   | 99-7430     | 3    | Relay-Mini                 |
| 2:2  | 108-8660    | 1    | Nut-Mounting              | 18   | 32144-1     | 3    | Screw-Taptite              |
| 2:3  | 106-5270    | 1    | Ignition Key Set          | 19   | 104-7201    | 3    | Nut-HF, NI                 |
| 2:4  | 108-8659    | 1    | Washer-Backup             | 20   | 145-2274    | 1    | Decal-Fuse Block EFI       |
| 3    | 120-2244    | 1    | Hourmeter                 | 21   | 145-8025    | 1    | Timer-Delay, 600 Sec, 1Amp |
| 4    | 131-8388    | 1    | Socket-USB                | 23   | 132-6777    | 1    | Screw-Twh Thd Roll         |
| 6    | 144-2405    | 1    | Switch-Rocker, On-None-On | 24   | 110-2594    | 1    | Horn                       |

● Not illustrated

■ Not serviced separately

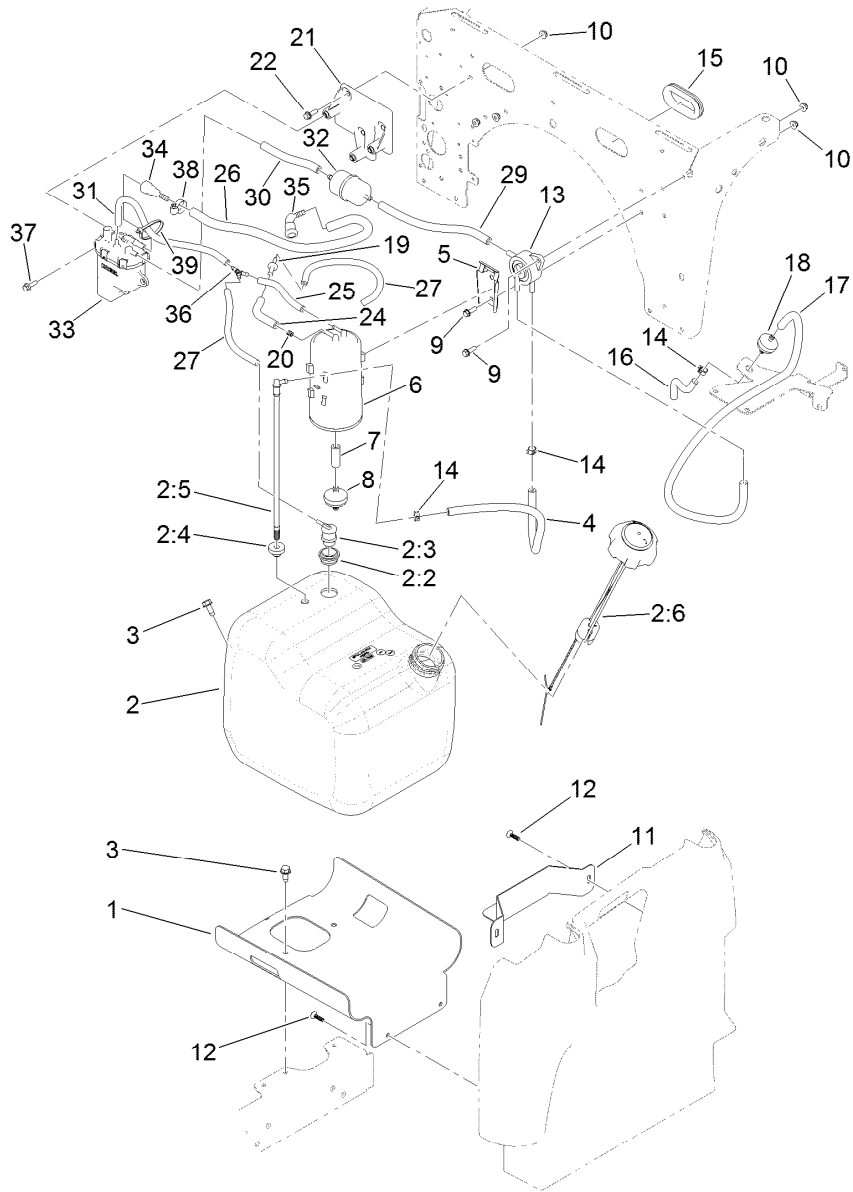


## Electrical Assembly (continued)

| <i>Ref.</i> | <i>Part Number</i> | <i>Qty.</i> | <i>Description</i> | <i>Ref.</i> | <i>Part Number</i> | <i>Qty.</i> | <i>Description</i>              |
|-------------|--------------------|-------------|--------------------|-------------|--------------------|-------------|---------------------------------|
| 25          | 3234-5             | 1           | Screw-HHF          | 26          | 104-8300           | 1           | Nut-HF, NI                      |
|             |                    |             |                    | 28          | 144-2415           | 1           | Switch-Rocker,<br>(On)-None-Off |

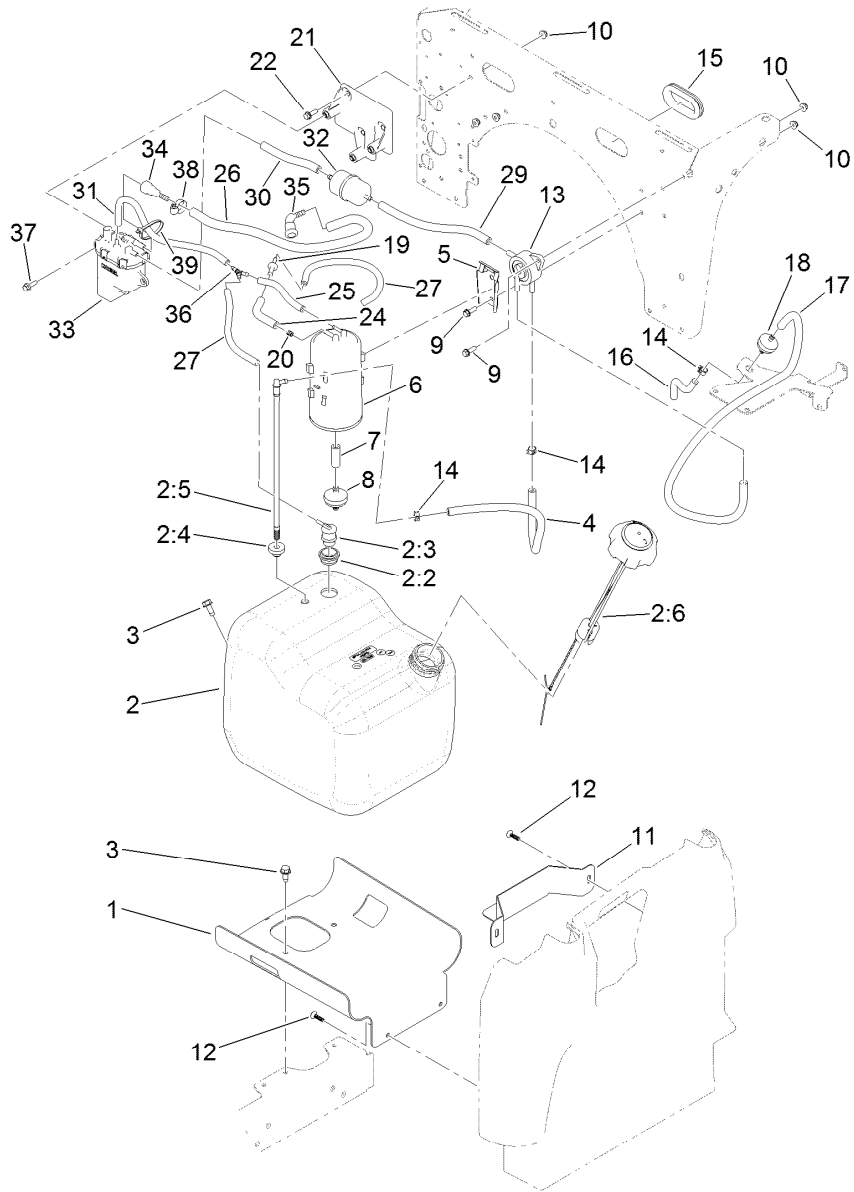
● Not illustrated

■ Not serviced separately



## Fuel System Assembly

| Ref. | Part Number | Qty. | Description              | Ref. | Part Number | Qty. | Description                        |
|------|-------------|------|--------------------------|------|-------------|------|------------------------------------|
| 1    | 127-7739-03 | 1    | Mount-Tank, Fuel         | 16   | 140-4825    | 1    | Hose-Pulse (.212 X 5.00, J200, LP) |
| 2    | 127-7849    | 1    | Fuel Tank ASM            | 17   | 109-3491    | 1    | Hose-Fuel                          |
| 2:2  | 114-0284    | 1    | Grommet                  | 18   | 56-6360     | 1    | Filter-Fuel                        |
| 2:3  | 114-0285    | 1    | Valve-Rollover           | 19   | 117-5399    | 1    | Adaptor-Orifice                    |
| 2:4  | 46-6560     | 1    | Bushing                  | 20   | 120-2038    | 1    | Cartridge-Valve, Check             |
| 2:5  | 115-9044    | 1    | Pipe-Stand               | 21   | 136-6346    | 1    | Bracket-Pump, Fuel                 |
| 2:6  | 131-8357    | 1    | Cap-Gauge                | 22   | 115-5103    | 3    | Screw-HHF                          |
| 3    | 32144-70    | 3    | Screw-HWHTF              | 24   | 114-3765    | 1    | Hose-Fuel                          |
| 4    | 114-4428    | 1    | Hose-Fuel                | 25   | 68-3632     | 1    | Hose-Fuel                          |
| 5    | 114-0292    | 1    | Bracket-Canister, Carbon | 26   | 136-6343    | 1    | Hose-Fuel                          |
| 6    | 127-8685    | 1    | Canister-Carbon          | 27   | 136-6345    | 2    | Hose-Fuel                          |
| 7    | 106-5317    | 1    | Hose-Fuel                | 29   | 109-0282    | 1    | Hose-Fuel                          |
| 8    | 115-7854    | 1    | Filter-Fuel, Inline      | 30   | 109-0650    | 1    | Hose-Fuel                          |
| 9    | 32105-15    | 4    | Screw-HWH                | 31   | 136-6344    | 1    | Hose-Fuel                          |
| 10   | 104-7201    | 7    | Nut-HF, NI               | 32   | 94-9695     | 1    | Filter-Fuel                        |
| 11   | 127-7845-05 | 1    | Bracket-Fuel Tank        | 33   | 136-6347    | 1    | Pump-Fuel, EFI                     |
| 12   | 120-2349    | 4    | Screw                    | 34   | 125-2921    | 1    | Fitting-Fuel                       |
| 13   | 131-8526    | 1    | Pump-Fuel                | 35   | 121-5585    | 1    | Fitting-Fuel                       |
| 14   | 2412-98     | 7    | Clamp-Hose               | 36   | 136-6339    | 1    | Fitting-Fuel                       |
| 15   | 240-12      | 1    | Grommet-Rubber           | 37   | 33103-020   | 3    | Screw-HHF                          |



## Fuel System Assembly (continued)

| <i>Ref.</i> | <i>Part Number</i> | <i>Qty.</i> | <i>Description</i> |
|-------------|--------------------|-------------|--------------------|
| 38          | 2412-36            | 2           | Clamp-Hose         |
| 39          | 3290-378           | 1           | Tie-Cable          |

# Attachments and Accessories

## For 07409 Workman GTX EFI Utility Vehicle

| <b>Product Name</b>  | <b>Model/Part</b> |
|--|-------------------|
| Workman GTX 2-Person Canopy .....  | 07921             |
| Steel Cargo Bed Base, Workman GTX Series Utility Vehicle .....   | 07450             |
| Steel Cargo Bed Solid Sides Kit, Workman GTX Series Utility Vehicle .....  | 07451             |
| Rear Attachment Receiver, Workman GTX Series Utility Vehicle with Steel Cargo Bed .....  | 07186             |
| 12V Electric Lift Kit.....   | 07144             |
| Door Mount Mirror Kit.....   | 136-1997          |
| Brake and Signal LED Light Kit, Workman GTX Gasoline Utility Vehicle or Serial Number 404400000 and After Workman GTX Electric Utility Vehicle ..... | 140-4785          |
| Brush Guard Kit .....  | 07145             |
| Front Hitch Kit, Workman GTX Series Utility Vehicles with Brush Guard .....  | 07146             |
| Small Seat Cover .....   | 131-6690          |
| Front Hitch Kit, Workman GTX or MDX Series Utility Vehicles without Brush Guard .....  | 07147             |
| Steel Flat Bed Kit .....   | 07148             |
| Storage Box Kit.....   | 07156             |
| Walk Spreader Mounting Kit .....   | 07029             |
| 6in L-Track Kit.....   | 07158             |
| 2in L-Track Kit.....   | 07159             |
| Hose Reel Mounting Kit .....   | 07027             |
| Aggressive Tire Kit.....   | 07423             |
| LED Homologation Lamp Kit.....   | 147-2798          |
| Power Point Kit .....  | 131-8550          |
| Horn Kit.....  | 133-3016          |
| Beacon Kit .....   | 130-5484          |
| Reverse Alarm Kit.....   | 133-3018          |
| Parking Brake Alarm Kit.....   | 133-3019          |
| Exterior Mirror Kit.....   | 130-5448          |
| Trash Can Mounting Kit .....   | 07028             |
| Spark Arrestor Screen Kit .....  | 133-7109          |
| Bed Rack Kit.....  | 07031             |
| Cab Kit.....   | 07142             |
| Mount-Ball .....   | 133-7116          |
| Road Light and Homologation Kit .....  | 133-7128          |
| 12V Electric Bed Lift Kit .....  | 07167             |
| Tire-20 8.00-10 .....  | 116-7333          |
| MVP Kit 400 Hour .....   | 136-6280          |
| Cab Mount Kit, Workman GTX Utility Vehicle with Extended Flatbed .....   | 133-7198          |
| Service Hood ASM .....   | 133-7209          |
| ROPS Kit .....   | 07032             |
| Cargo Bed Kit .....  | 07046             |
| Bench Seat Base Kit.....   | 07047             |
| Bucket Seat Base Kit .....   | 07048             |
| Extension Kit.....   | 07049             |
| Small Bedrack Mount Grip Kit .....   | 136-6311          |
| Large Bedrack Mount Grip Kit.....  | 136-6312          |
| Wireless Hourmeter Kit.....  | 136-6323          |

## Attachments and Accessories (continued)

|   |             |
|---|-------------|
| Plate-Skid .....  | 137-2886-03 |
| Switch-Ignition ASM, Key1 .....   | 138-3500    |
| Switch-Ignition ASM, Key2 .....   | 138-3501    |
| Switch-Ignition ASM, Key3 .....   | 138-3502    |
| Switch-Ignition ASM, Key4 .....   | 138-3503    |
| Switch-Ignition ASM, Key5 .....   | 138-3504    |
| Glove Box Cover Kit .....   | 137-2883    |
| Fold-Down Rear Facing Seat.....   | 07123       |
| Lift Kit.....   | 07414       |
| Tire/Wheel Asm .....  | 131-8319    |
| Van Box .....   | 07440       |
| Folding Windshield Kit, Workman GTX Utility Vehicle with Canopy.....                  | 07923       |
| Work Light Kit .....  | 130-5485    |
| Interior Mirror Kit.....  | 130-5449    |
| Tire .....  | 94-5236     |
| Shim-Limiter .....  | 119-0807    |
| Windshield Washer Fluid Kit, 2015 and after Workman MD/HD Series Utility Vehicle..... | 130-5615    |
| Wide Angle Mirror Kit.....  | 133-1009    |
| Wide Angle Mirror Kit.....  | 133-1038    |
| Bracket-Mount, Radio.....   | 133-7111-03 |
| GTX Ball Cage ROPS, Certified.....  | 07161       |
| Canopy W/ ROPS.....   | 07169       |
| Canopy Mount Kit, Workman GTX Utility Vehicle with Extended Flatbed .....             | 07199       |
| Full Shelf For Van Box .....  | 07441       |

**Notes:**



**Count on it.**