



Count on it.

Parts Catalog

TimeCutter® MyRIDE®

42in Riding Mower

Model No. 75758TA—Serial No. 412400000 and Up



Ordering Replacement Parts

To order replacement parts, please supply the part number, the quantity, and the description of each part desired.

Understanding Reference Numbers

Each identified part in an illustration has a reference number. The reference number for a part also appears in the parts list, along with other information about the part.

This catalog uses two special reference number formats, one to indicate parts in a service assembly and another to indicate the quantity of a given part in an illustration.

Service Assembly Reference Numbers

Parts in service assemblies have reference numbers in the form a:b. The a represents the reference number of the entire service assembly and the b represents a sequential number unique to each part within the service assembly.

For example, a wheel assembly might be identified by reference number 6, the tire by 6:1, the valve by 6:2, and the wheel by 6:3. When you order the assembly identified by reference number 6, you receive all parts identified by reference numbers 6:1, 6:2, and 6:3. However, you may also order any part individually. Reference numbers of this type appear in illustration and in parts lists.

Reference Numbers Indicating Quantity

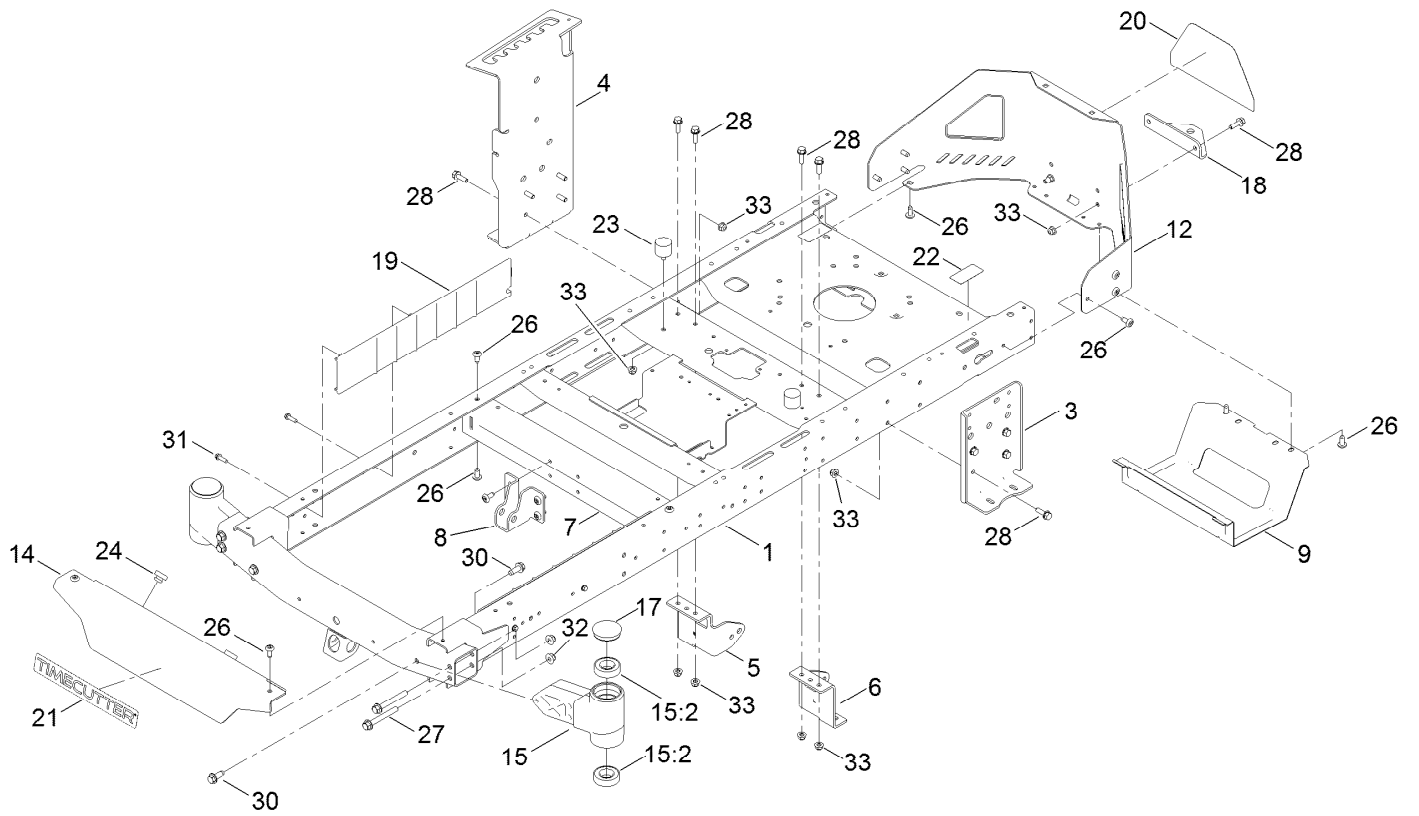
In an illustration, if a reference number indicates more than one part, the reference number has the form nX y. The n represents the quantity of the part, the X is the multiplication symbol, and the y represents the reference number.

For example, in an illustration, the reference number 2X 37 means that two of the parts identified by reference number 37 are indicated.

Contents

| | |
|---|----|
| Frame Assembly | 4 |
| Deck Lift Assembly | 6 |
| Tire and Caster Assembly | 8 |
| Traction Drive Assembly | 10 |
| LH Hydro Transmission Assembly No. 139-7450 | 12 |
| RH Hydro Transmission Assembly No. 139-7451 | 14 |
| Brake Assembly | 16 |
| Rear Tire Assembly | 18 |
| Motion Control Assembly | 20 |
| Engine and Muffler Assembly | 22 |
| Fuel and Body Styling Assembly | 24 |
| Electrical Assembly | 26 |
| 42in Deck and Decal Assembly | 28 |
| Frame Decal Assembly | 30 |
| Seat Assembly | 32 |
| Seat Assembly No. 140-8303 | 34 |
| Clutch Assembly | 36 |
| Attachments and Accessories | 38 |

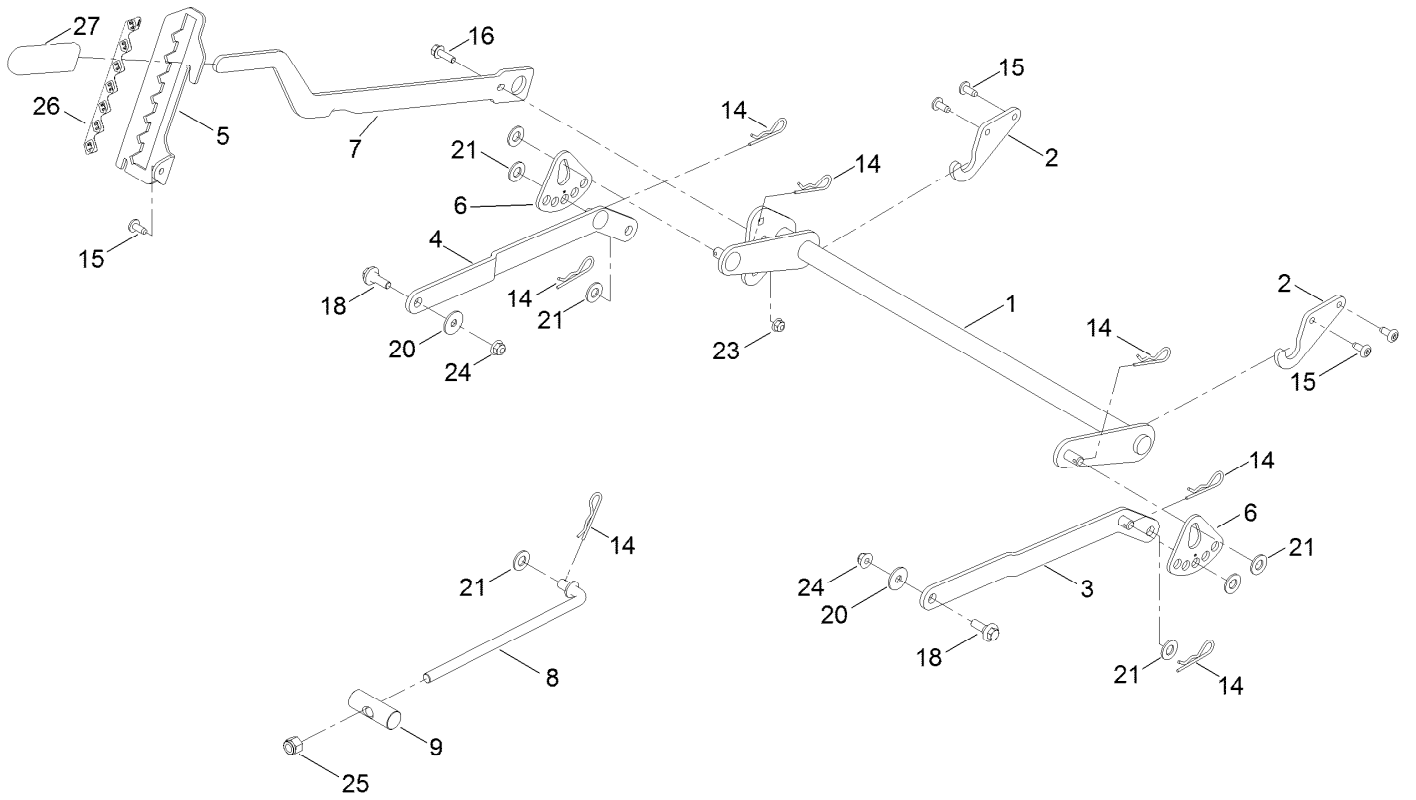
Frame Assembly



Frame Assembly (continued)

| <i>Ref.</i> | <i>Part Number</i> | <i>Qty.</i> | <i>Description</i> | <i>Ref.</i> | <i>Part Number</i> | <i>Qty.</i> | <i>Description</i> |
|-------------|--------------------|-------------|--------------------------------|-------------|--------------------|-------------|--------------------|
| 1 | 137-9820-01 | 1 | Frame Assembly | 18 | 117-1232-03 | 1 | Bracket-Hitch |
| 3 | 138-7520-01 | 1 | Plate-Mount, Hydro | 19 | 138-7516 | 2 | Guard-Rail |
| 4 | 139-2352-01 | 1 | Plate-Mount Hydro, RH | 20 | 139-5890 | 1 | Decal-Timecutter |
| 5 | 137-7020-01 | 1 | Mount-Hydro, Front (Right) | 21 | 139-2387 | 1 | Decal-Timecutter |
| 6 | 139-3211-01 | 1 | Mount-Hydro, Front (Left) | 22 | 121-2989 | 2 | Decal-Bypass |
| 7 | 138-2527-01 | 1 | Brace-Cross, Lower | 23 | 137-4803 | 2 | Bumper-Rubber |
| 8 | 139-3260-01 | 1 | Bracket-Mount Damper, Lower | 24 | 140-3460 | 2 | Bumper-Rubber |
| 9 | 138-0867-03 | 1 | Guard-Muffler | 26 | 138-9753 | 20 | Screw |
| 12 | 138-9820-03 | 1 | Guard-Engine | 27 | 139-2429 | 4 | Screw-HHF |
| 14 | 138-7596-01 | 1 | Footrest | 28 | 3234-29 | 14 | Screw-HHF |
| 15 | 140-2098 | 2 | Axle Stub ASM | 30 | 139-2428 | 4 | Screw-HWH |
| 15:2 | 109-3678 | 2 | Bearing-Ball | 31 | 46-8091 | 4 | Screw-HWH |
| 17 | 138-7200 | 2 | Cap-Grease | 32 | 139-2430 | 4 | Nut-HF, NI |
| | | | | 33 | 104-8300 | 16 | Nut-HF, NI |

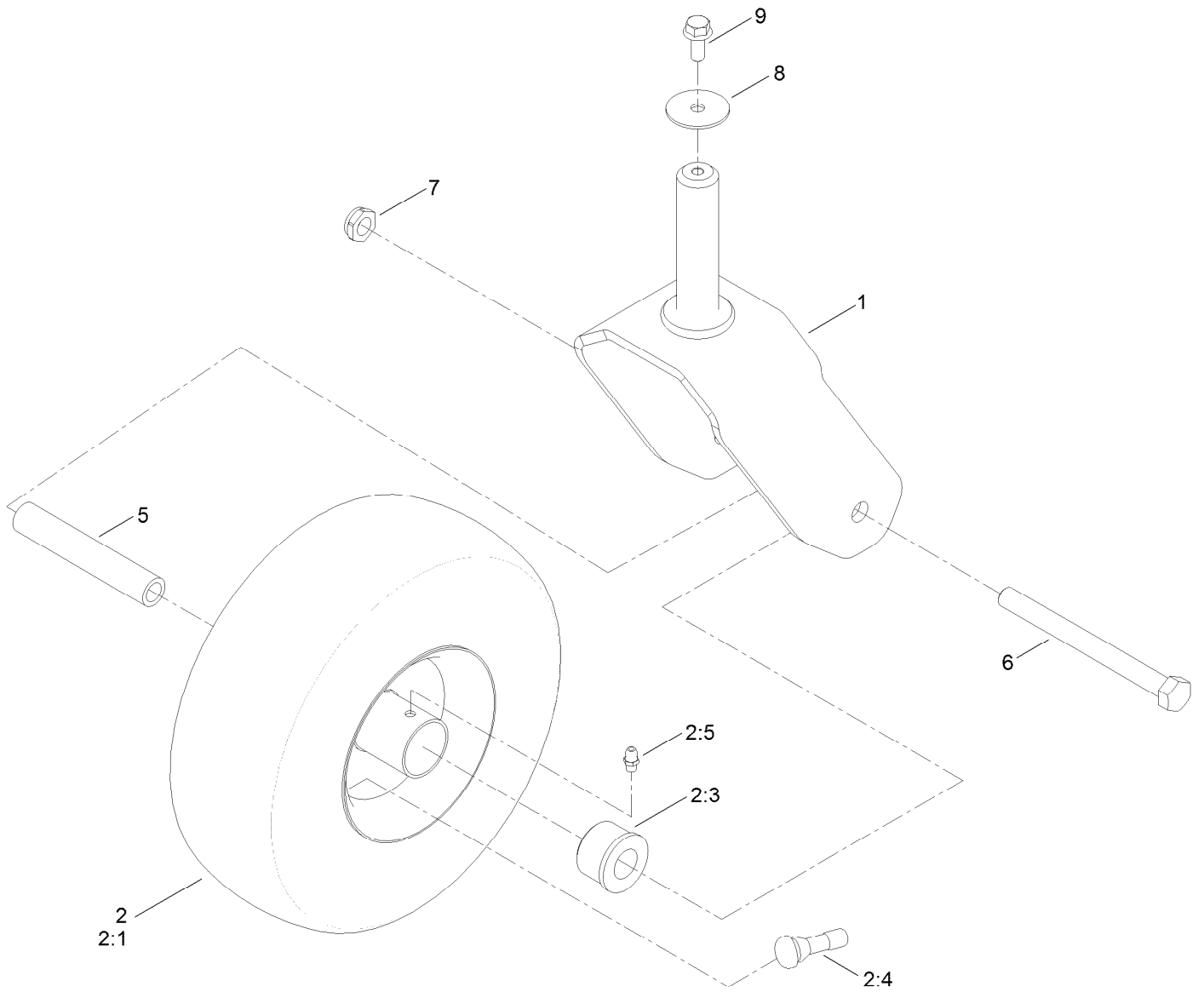
Deck Lift Assembly



Deck Lift Assembly (continued)

| <i>Ref.</i> | <i>Part Number</i> | <i>Qty.</i> | <i>Description</i> | <i>Ref.</i> | <i>Part Number</i> | <i>Qty.</i> | <i>Description</i> |
|-------------|--------------------|-------------|-------------------------|-------------|--------------------|-------------|--------------------|
| 1 | 137-7093-03 | 1 | Deck Lift ASM | 15 | 138-9753 | 5 | Screw |
| 2 | 138-6021 | 2 | Bracket-Pivot, Decklift | 16 | 3234-29 | 1 | Screw-HHF |
| 3 | 137-9844 | 1 | LH Arm ASM | 18 | 137-9847 | 2 | Screw-Shoulder |
| 4 | 137-9846 | 1 | RH Arm ASM | 20 | 93-8806 | 2 | Washer-Hardened |
| 5 | 139-2350-01 | 1 | Bracket-HOC | 21 | 3256-26 | 7 | Washer-Flat |
| 6 | 138-2564 | 2 | Plate-Adjustment, HOC | 23 | 104-8300 | 1 | Nut-HF, NI |
| 7 | 137-7087-03 | 1 | Lever-Lift | 24 | 104-8301 | 2 | Nut-HF, NI |
| 8 | 138-6050 | 1 | Rod-Mount, Deck | 25 | 3296-19 | 1 | Nut-Hex |
| 9 | 119-8810 | 1 | Pin-Pivot | 26 | 139-2392 | 1 | Decal-HOC |
| 14 | 1-806005 | 7 | Pin-Cotter | 27 | 1-633268 | 1 | Grip-Lever |

Tire and Caster Assembly



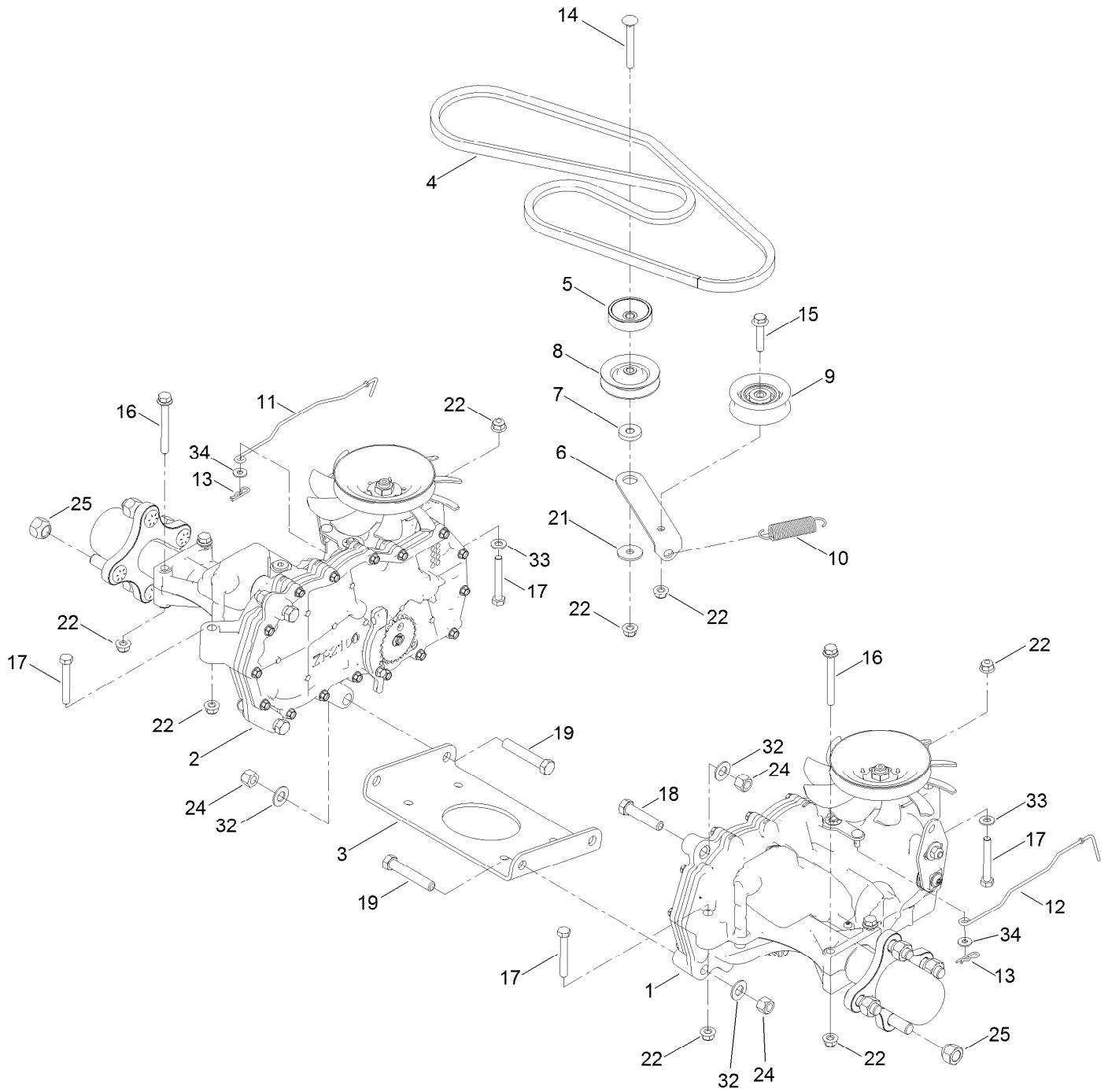
Tire and Caster Assembly (continued)

| <i>Ref.</i> | <i>Part Number</i> | <i>Qty.</i> | <i>Description</i> | <i>Ref.</i> | <i>Part Number</i> | <i>Qty.</i> | <i>Description</i> |
|-------------|--------------------|-------------|--------------------|-------------|--------------------|-------------|--------------------|
| 1 | 139-3274-01 | 2 | Fork ASM | 2:99 | 105-0844 | 1 | Tube-Inner●■ |
| 2 | 139-5842 | 2 | Tire ASM | 5 | 138-7240 | 2 | Bushing-Spanner |
| 2:1 | 140-2736 | 1 | Tire | 6 | 325-22 | 2 | Screw-HH |
| 2:3 | 114-1640 | 2 | Bushing-Flange | 7 | 3296-45 | 2 | Nut-Hex |
| 2:4 | 232-27 | 1 | Stem-Valve | 8 | 3256-68 | 2 | Washer-Flat |
| 2:5 | 302-5 | 1 | Fitting-Grease | 9 | 3234-47 | 2 | Screw-HHF |

● Not illustrated

■ Optional Equipment

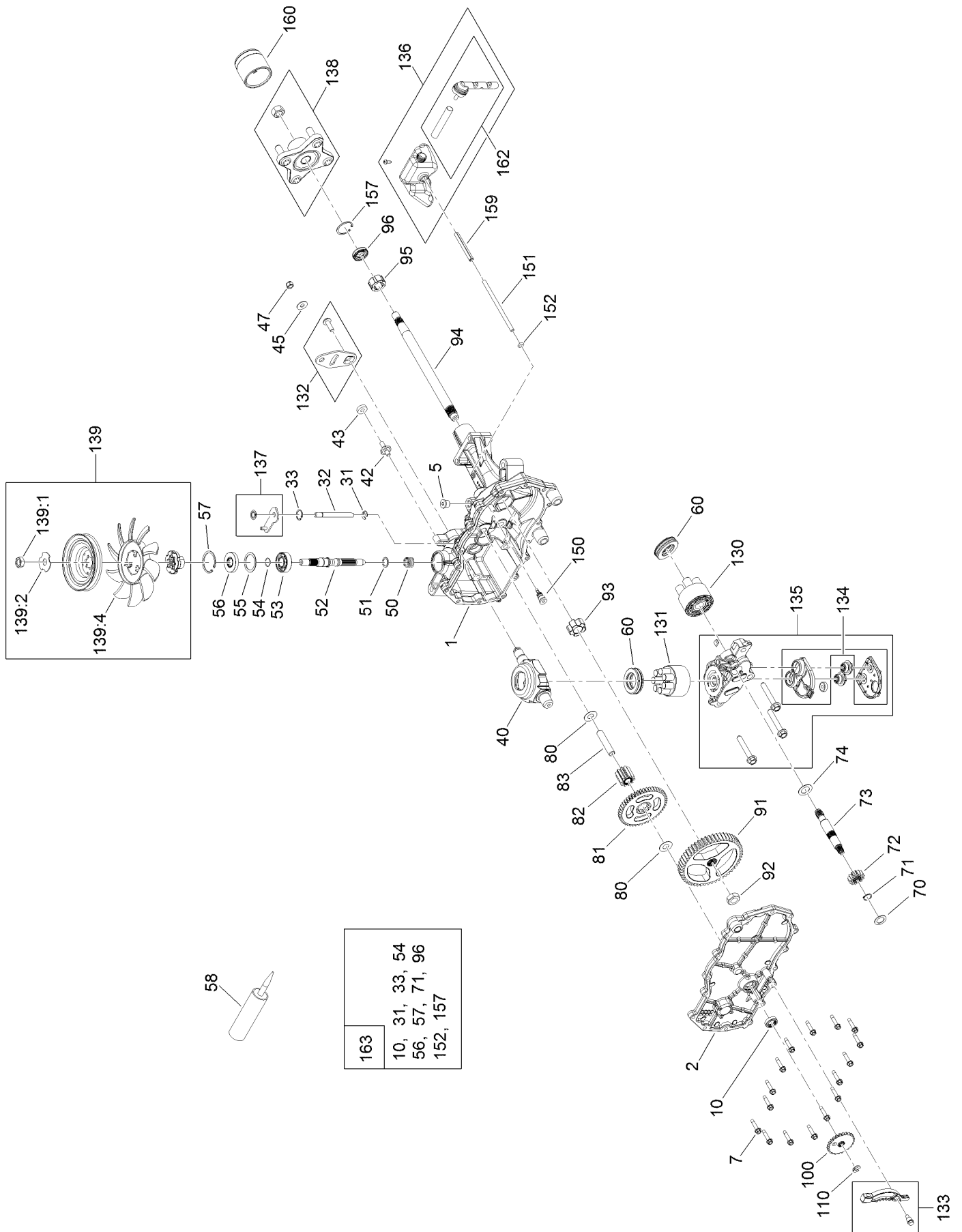
Traction Drive Assembly



Traction Drive Assembly (continued)

| <i>Ref.</i> | <i>Part Number</i> | <i>Qty.</i> | <i>Description</i> | <i>Ref.</i> | <i>Part Number</i> | <i>Qty.</i> | <i>Description</i> |
|-------------|--------------------|-------------|------------------------|-------------|--------------------|-------------|--------------------|
| 1 | 139-7450 | 1 | LH Hydro Transaxle ASM | 14 | 3230-8 | 1 | Screw-CARR |
| 2 | 139-7451 | 1 | RH Hydro Transaxle ASM | 15 | 115-1794 | 1 | Screw-HHF |
| 3 | 138-2571-03 | 1 | Crossplate-Hydro | 16 | 138-7590 | 4 | Screw-HHF |
| 4 | 139-2399 | 1 | V-Belt | 17 | 322-11 | 4 | Screw-HH |
| 5 | 138-9809 | 1 | Spacer | 18 | 324-8 | 2 | Screw-HH |
| 6 | 138-7276 | 1 | Arm-Idler | 19 | 324-10 | 4 | Screw-HH |
| 7 | 138-7277 | 1 | Spacer-Arm, Idler | 21 | 5-4460 | 1 | Washer-Pivot |
| 8 | 68-0030 | 1 | Idler | 22 | 104-8300 | 10 | Nut-HF, NI |
| 9 | 138-7597 | 1 | Pulley-Idler, Flat | 24 | 3296-48 | 6 | Nut-Hex |
| 10 | 137-7040 | 1 | Spring-Return, Pedal | 25 | 242-50 | 8 | Nut-Lug |
| 11 | 138-7245 | 1 | Rod-Bypass, RH | 32 | 3256-25 | 6 | Washer-Flat |
| 12 | 138-7243 | 1 | Rod-Bypass, LH | 33 | 3256-23 | 2 | Washer-Plain |
| 13 | 3290-307 | 2 | Pin-Cotter | 34 | 119-8952 | 2 | Washer |

LH Hydro Transmission Assembly No. 139-7450

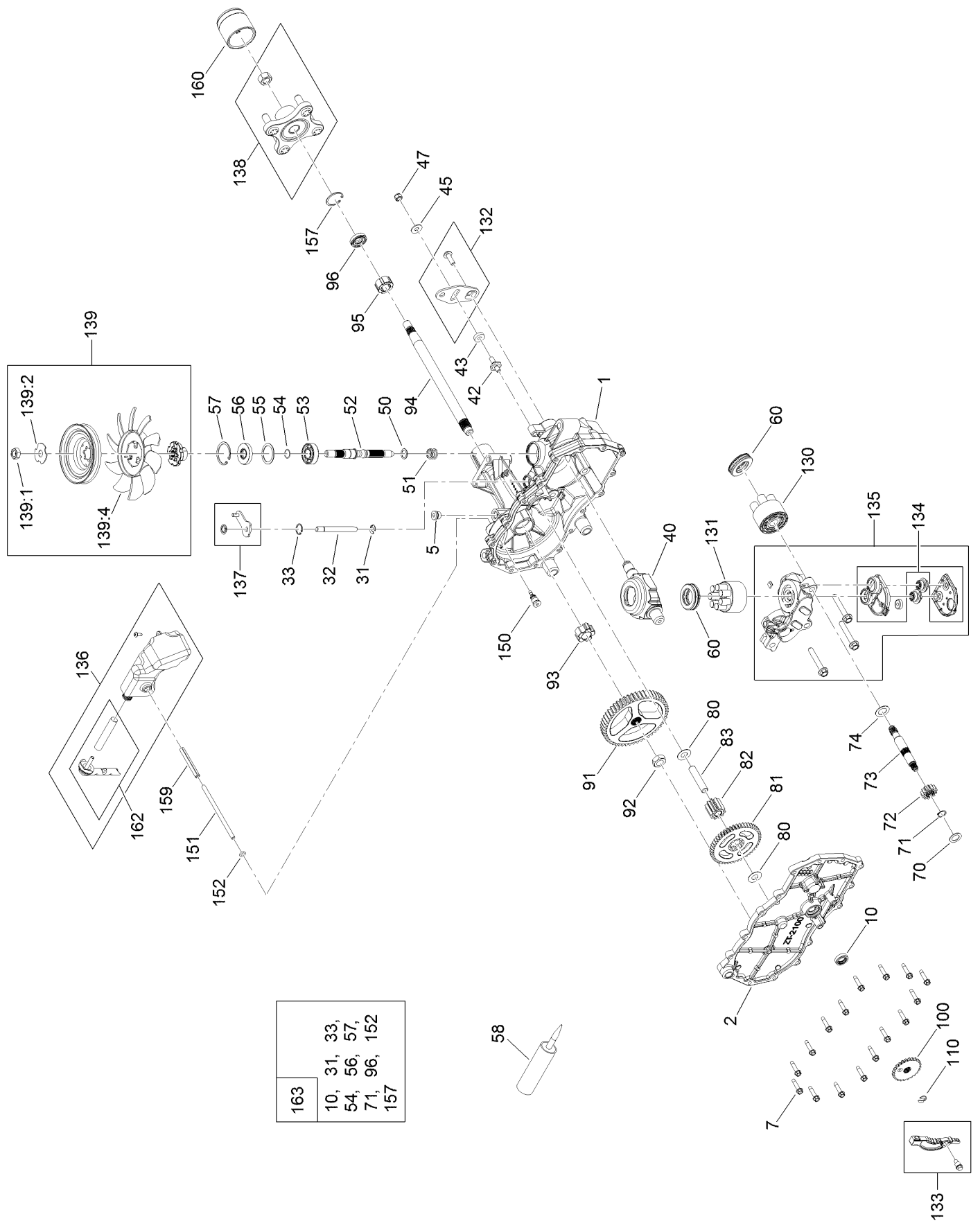


LH Hydro Transmission Assembly No. 139-7450 (continued)

| <i>Ref.</i> | <i>Part Number</i> | <i>Qty.</i> | <i>Description</i> | <i>Ref.</i> | <i>Part Number</i> | <i>Qty.</i> | <i>Description</i> |
|-------------|--------------------|-------------|--------------------------|-------------|--------------------|-------------|---------------------------|
| 1 | 120-5532 | 1 | Main Housing ASM | 81 | 104-5317 | 1 | Gear-10T/48T |
| 2 | 120-5534 | 1 | Housing Side Kit | 82 | 104-5318 | 1 | Gear-Jackshaft, 10T |
| 5 | 104-2189 | 1 | Plug-Thread, Straight | 83 | 104-5329 | 1 | Pin-Jackshaft |
| 7 | 117-5359 | 16 | Screw-HHF | 91 | 120-5539 | 1 | Gear-Bull |
| 10 | 104-2147 | 1 | Sealant ● | 92 | 104-2142 | 1 | Nut-HJ |
| 31 | 106-8677 | 1 | Ring-Retaining, External | 93 | 115-8314 | 1 | Bushing-Inboard |
| 32 | 106-8678 | 1 | Rod-Bypass | 94 | 120-5540 | 1 | Shaft-Axle |
| 33 | 106-8679 | 1 | Ring-Retaining, Internal | 95 | 120-5541 | 1 | Bearing-Sleeve |
| 40 | 104-5304 | 1 | Swashplate-Trunnion | 100 | 106-8694 | 1 | Disc-Brake, Cog |
| 42 | 104-2116 | 1 | Stud | 110 | 106-8677 | 1 | Ring-Retaining, External |
| 43 | 112-9853 | 1 | Puck-Friction | 130 | 103-2666 | 1 | Cylinder Block Kit |
| 50 | 133-1793 | 1 | Spring-Block | 131 | 110-8561 | 1 | Pump Block ASM |
| 51 | 120-5538 | 1 | Washer | 132 | 117-5362 | 1 | Control Arm Kit |
| 52 | 104-5306 | 1 | Shaft-Input | 133 | 106-8688 | 1 | Brake Arm Kit |
| 53 | 104-5311 | 1 | Bearing-Ball | 134 | 112-9861 | 1 | Center Section Filter Kit |
| 54 | 104-5307 | 1 | Ring-Retaining | 135 | 114-1634 | 1 | Filter Kit |
| 55 | 104-5308 | 1 | Spacer | 136 | 121-5730 | 1 | RH Expansion Tank Kit |
| 56 | 104-5310 | 1 | Seal-Lip | 137 | 120-5549 | 1 | Bypass Kit |
| 57 | 104-5309 | 1 | Ring-Retaining | 138 | 121-5731 | 1 | Hub Kit |
| 58 | 104-2147 | 1 | Sealant | 139 | 135-7349 | 1 | Fan And Pulley Kit |
| 60 | 94-6922 | 2 | Bearing-Thrust | 150 | 104-5349 | 1 | Fitting-SAE |
| 70 | 104-5339 | 1 | Washer-Flat | 151 | 115-8302 | 1 | Hose |
| 71 | 104-5340 | 1 | Ring-Retaining | 152 | 104-5361 | 1 | O-Ring |
| 72 | 104-5316 | 1 | Gear-Pinnion, 13T | 159 | 121-5728 | 1 | Case-Tube |
| 73 | 106-8683 | 1 | Shaft-Motor | 160 | 125-0041 | 1 | Cap-Axle |
| 74 | 104-5360 | 1 | Washer | 162 | 139-3278 | 1 | Breather ASM Kit |
| 80 | 119-5541 | 1 | Washer | 163 | 120-7103 | 1 | Seal And Ring Kit |

● Not illustrated

RH Hydro Transmission Assembly No. 139-7451



RH Hydro Transmission Assembly No. 139-7451 (continued)

| <i>Ref.</i> | <i>Part Number</i> | <i>Qty.</i> | <i>Description</i> | <i>Ref.</i> | <i>Part Number</i> | <i>Qty.</i> | <i>Description</i> |
|-------------|--------------------|-------------|--------------------------|-------------|--------------------|-------------|---------------------------|
| 1 | 120-5531 | 1 | Main Housing ASM | 81 | 104-5317 | 1 | Gear-10T/48T |
| 2 | 120-5533 | 1 | Housing Side Kit | 82 | 104-5318 | 1 | Gear-Jackshaft, 10T |
| 5 | 104-2189 | 1 | Plug-Thread, Straight | 83 | 104-5329 | 1 | Pin-Jackshaft |
| 7 | 117-5359 | 16 | Screw-HHF | 91 | 120-5539 | 1 | Gear-Bull |
| 10 | 104-2147 | 1 | Sealant ● | 92 | 104-2142 | 1 | Nut-HJ |
| 31 | 106-8677 | 2 | Ring-Retaining, External | 93 | 115-8314 | 1 | Bushing-Inboard |
| 32 | 106-8678 | 1 | Rod-Bypass | 94 | 120-5540 | 1 | Shaft-Axle |
| 33 | 106-8679 | 1 | Ring-Retaining, Internal | 95 | 120-5541 | 1 | Bearing-Sleeve |
| 40 | 104-5304 | 1 | Swashplate-Trunnion | 100 | 106-8694 | 1 | Disc-Brake, Cog |
| 42 | 104-2116 | 1 | Stud | 110 | 106-8677 | 1 | Ring-Retaining, External |
| 43 | 112-9853 | 1 | Puck-Friction | 130 | 103-2666 | 1 | Cylinder Block Kit |
| 51 | 133-1793 | 1 | Spring-Block | 131 | 110-8561 | 1 | Pump Block ASM |
| 51 | 120-5538 | 1 | Washer | 132 | 117-5362 | 1 | Control Arm Kit |
| 52 | 104-5306 | 1 | Shaft-Input | 133 | 106-8688 | 1 | Brake Arm Kit |
| 53 | 104-5311 | 1 | Bearing-Ball | 134 | 112-9862 | 1 | Center Section Filter Kit |
| 54 | 104-5307 | 1 | Ring-Retaining | 135 | 114-1634 | 1 | Filter Kit |
| 55 | 104-5308 | 1 | Spacer | 136 | 121-5735 | 1 | LH Expansion Tank Kit |
| 56 | 104-5310 | 1 | Seal-Lip | 137 | 107-2489 | 1 | Bypass Arm Kit |
| 57 | 104-5309 | 1 | Ring-Retaining | 138 | 121-5731 | 1 | Hub Kit |
| 58 | 104-2147 | 1 | Sealant | 139 | 135-7349 | 1 | Fan And Pulley Kit |
| 60 | 94-6922 | 2 | Bearing-Thrust | 150 | 104-5349 | 1 | Fitting-SAE |
| 70 | 104-5339 | 1 | Washer-Flat | 151 | 115-8302 | 1 | Hose |
| 71 | 104-5340 | 1 | Ring-Retaining | 152 | 104-5361 | 1 | O-Ring |
| 72 | 104-5316 | 1 | Gear-Pinnion, 13T | 159 | 121-5728 | 1 | Case-Tube |
| 73 | 106-8683 | 1 | Shaft-Motor | 160 | 125-0041 | 1 | Cap-Axle |
| 74 | 104-5360 | 1 | Washer | 162 | 139-3278 | 1 | Breather ASM Kit |
| 80 | 119-5541 | 1 | Washer | 163 | 120-7103 | 1 | Seal And Ring Kit |

● Not illustrated

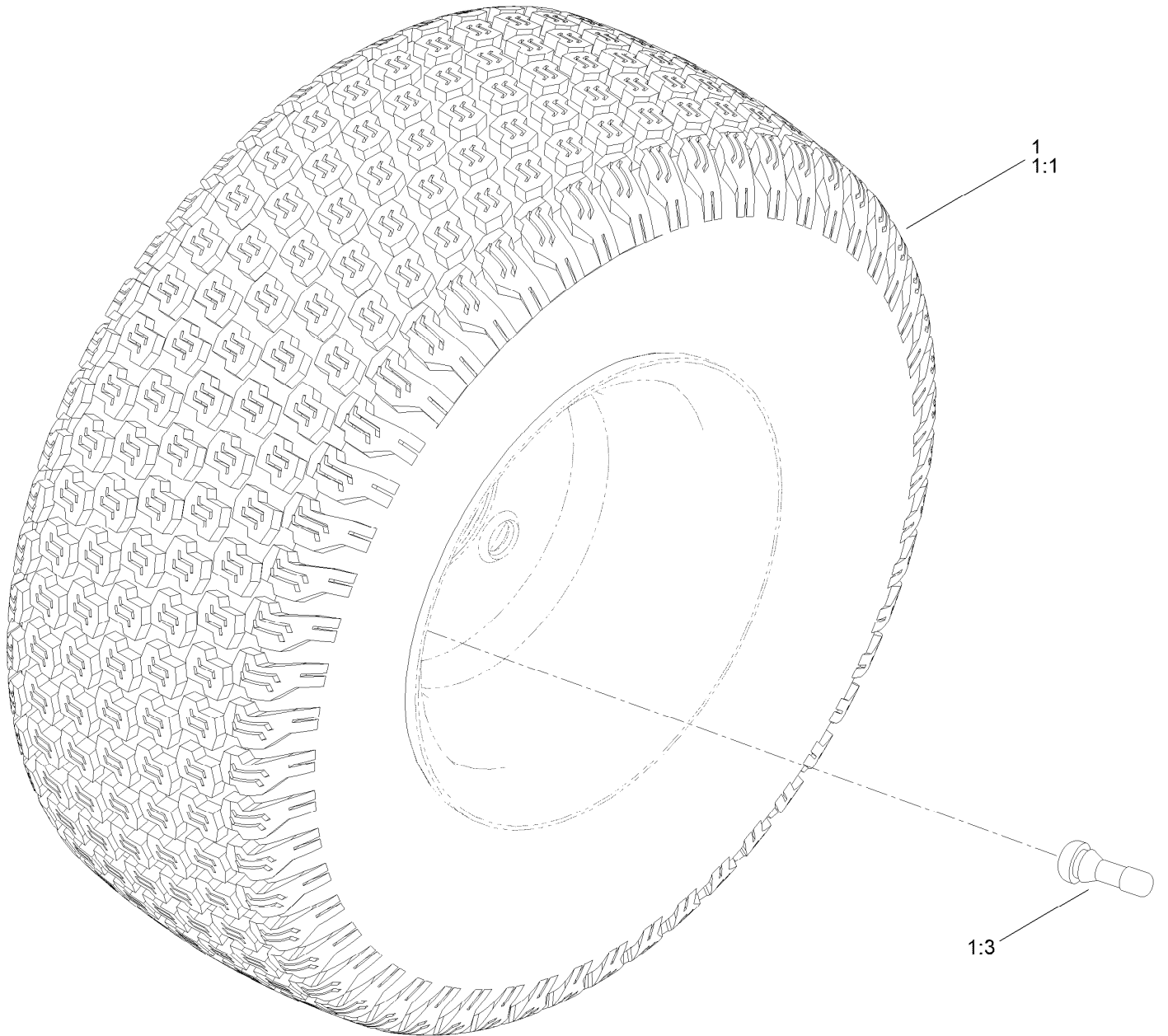
Brake Assembly



Brake Assembly (continued)

| <i>Ref.</i> | <i>Part Number</i> | <i>Qty.</i> | <i>Description</i> | <i>Ref.</i> | <i>Part Number</i> | <i>Qty.</i> | <i>Description</i> |
|-------------|--------------------|-------------|----------------------|-------------|--------------------|-------------|--------------------|
| 1 | 138-2514 | 1 | Brake Box ASM | 7 | 3290-307 | 2 | Pin-Cotter |
| 2 | 133-9284-03 | 1 | Bracket-Mount, Brake | 8 | 32144-36 | 4 | Screw-PPH |
| 3 | 138-2591 | 1 | Rod-Brake, LH | 9 | 32144-4 | 2 | Screw-HWH |
| 4 | 138-2592 | 1 | Rod-Brake, RH | 10 | 119-8952 | 6 | Washer |
| 5 | 117-1169 | 4 | Spring-Compression | 11 | 3296-42 | 2 | Nut-Lock, NI |

Rear Tire Assembly

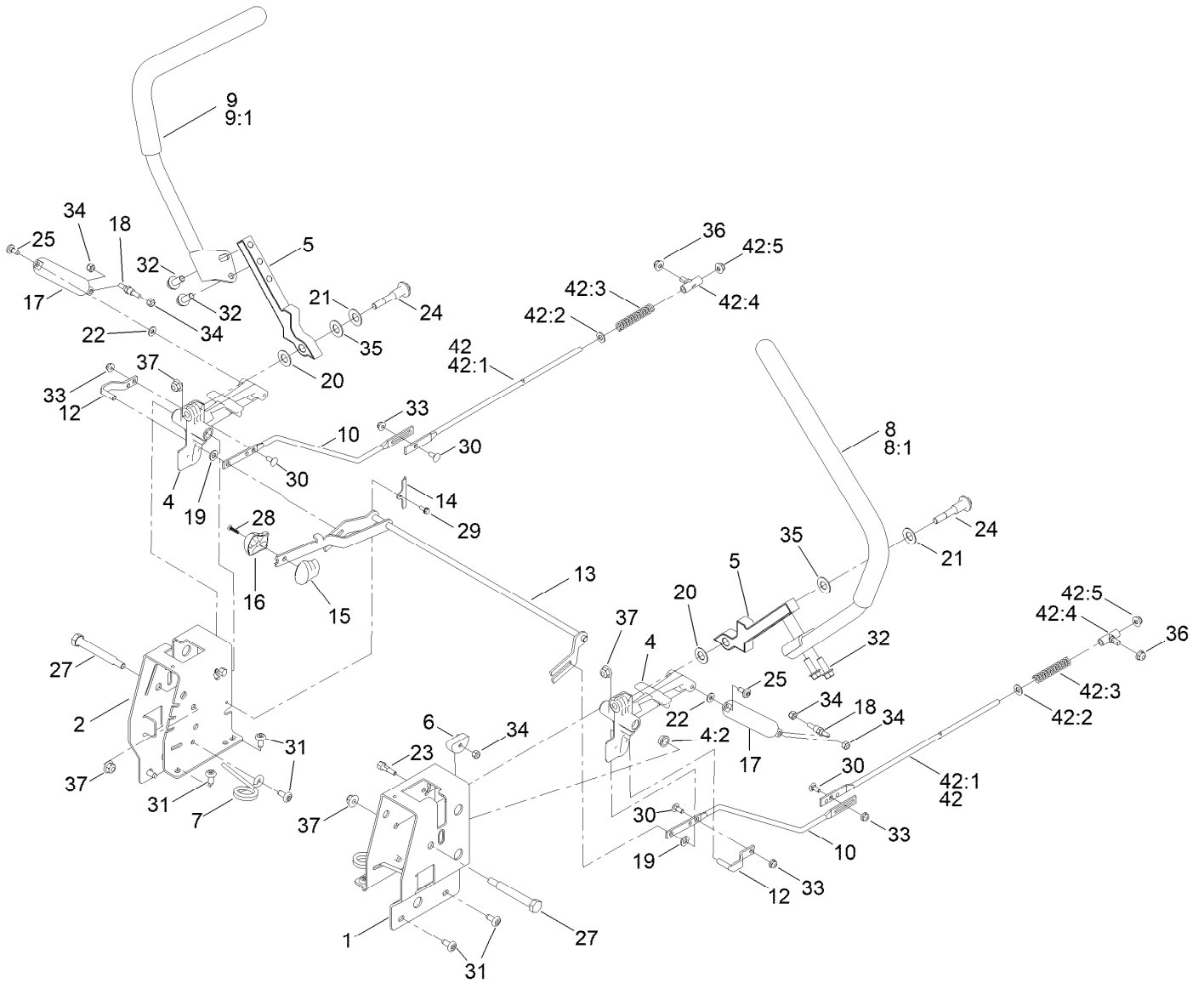


Rear Tire Assembly (continued)

| <i>Ref.</i> | <i>Part Number</i> | <i>Qty.</i> | <i>Description</i> | <i>Ref.</i> | <i>Part Number</i> | <i>Qty.</i> | <i>Description</i> |
|-------------|--------------------|-------------|--------------------|-------------|--------------------|-------------|--------------------|
| 1 | 139-5846 | 2 | Tire ASM | 1:3 | 232-27 | 1 | Stem-Valve |
| 1:1 | 140-2729 | 1 | Tire | 1:99 | 107-2491 | 1 | Tube-Tire ● |

● Not illustrated

Motion Control Assembly

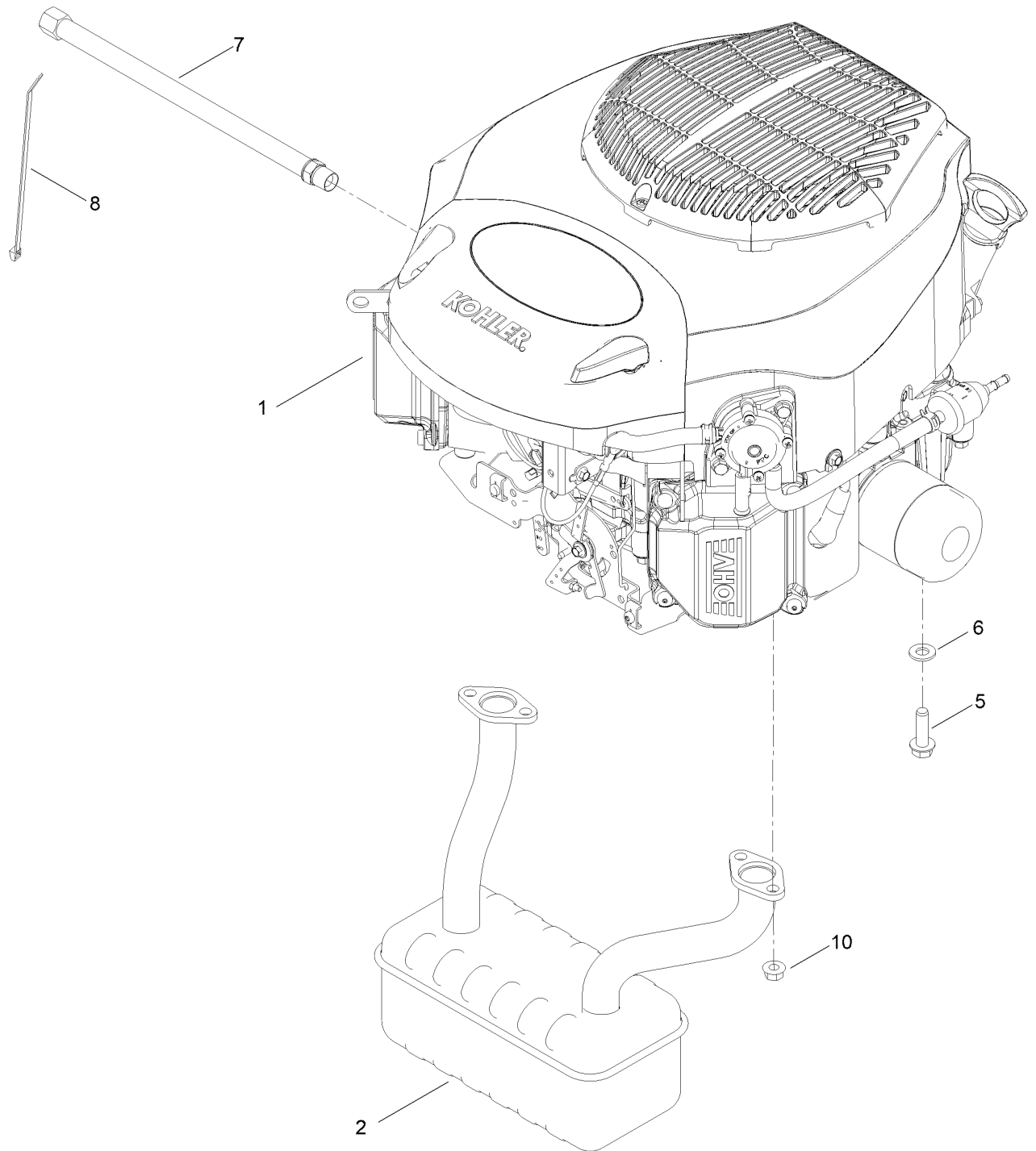


Motion Control Assembly (continued)

| <i>Ref.</i> | <i>Part Number</i> | <i>Qty.</i> | <i>Description</i> | <i>Ref.</i> | <i>Part Number</i> | <i>Qty.</i> | <i>Description</i> |
|-------------|--------------------|-------------|-----------------------|-------------|--------------------|-------------|-----------------------|
| 1 | 138-7598-03 | 1 | Plate-Control Box, LH | 22 | 119-8952 | 2 | Washer |
| 2 | 138-7599-03 | 1 | Plate-Control Box, RH | 23 | 139-5811 | 2 | Bolt-Pivot, Eccentric |
| 4 | 119-3470 | 2 | Actuator Arm ASM | 24 | 117-1198 | 2 | Bolt-Pivot |
| 4:2 | 256-156 | 2 | Bushing-Flange | 25 | 120-7950 | 2 | Screw-Torx |
| 5 | 133-9299-05 | 2 | Arm-Control | 27 | 115-5099 | 2 | Bolt-Pivot |
| 6 | 139-5803 | 2 | Eccentric | 28 | 94-4496 | 1 | Screw-PPH |
| 7 | 138-7539 | 2 | Spring-Torsion | 29 | 32144-1 | 2 | Screw-Taptite |
| 8 | 133-7055 | 1 | Handle-Control, LH | 30 | 3229-11 | 4 | Screw-CARR |
| 8:1 | 121-0726 | 1 | Grip | 31 | 138-9753 | 10 | Screw |
| 9 | 133-7057 | 1 | Handle-Control, RH | 32 | 3234-42 | 4 | Screw-HHF |
| 9:1 | 121-0726 | 1 | Grip | 33 | 104-7201 | 4 | Nut-HF, NI |
| 10 | 138-2580 | 2 | Rod-Hydro, Front | 34 | 3296-42 | 6 | Nut-Lock, NI |
| 12 | 121-1753 | 2 | Pin-Rod, Hydro | 35 | 117-1240 | 2 | Washer |
| 13 | 138-9750 | 1 | Speed Control ASM | 36 | 119-4041 | 2 | Nut-HF |
| 14 | 138-7541 | 2 | Plate-Retainer | 37 | 104-8301 | 4 | Nut-HF, NI |
| 15 | 132-9368 | 1 | Knob-RH | 42 | | 2 | Rod Hydro ASM ● |
| 16 | 132-9369 | 1 | Knob-LH | 42:1 | 144-1818 | 1 | Rod-Hydro, Rear |
| 17 | 132-6853 | 2 | Damper-Non Cavitating | 42:2 | 120-9683 | 1 | Washer-Plain |
| 18 | 138-7215 | 2 | Stud-Damper | 42:3 | 138-7252 | 1 | Spring-Compression |
| 19 | 93-6079 | 2 | Spacer-Nylon | 42:4 | 138-7218 | 1 | Mount-Rod, Hydro |
| 20 | 120-2273 | 2 | Washer-Nylon | 42:5 | 119-4041 | 1 | Nut-HF |
| 21 | 119-8925 | 2 | Washer-Belleville | | | | |

● Not serviced separately

Engine and Muffler Assembly



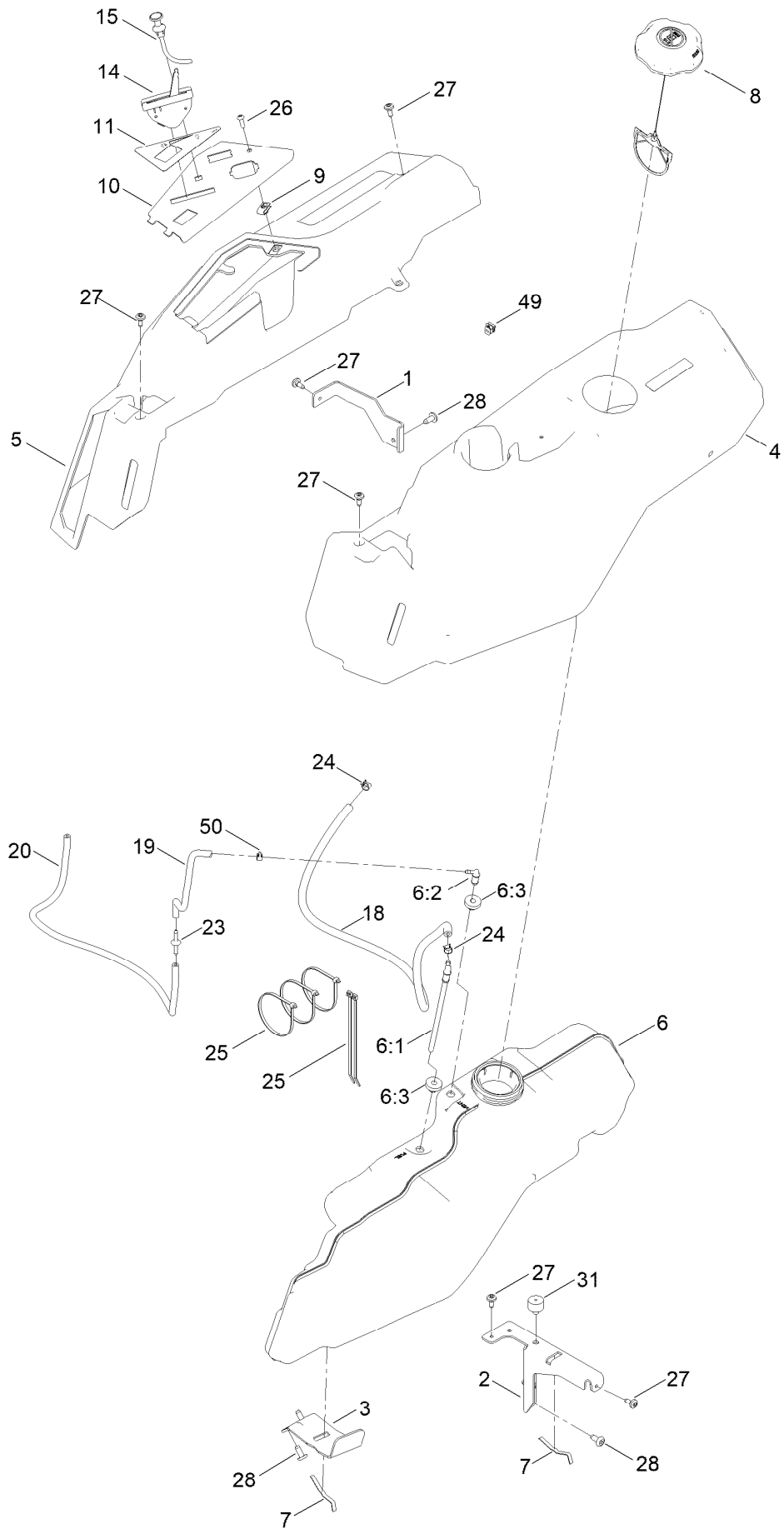
Engine and Muffler Assembly (continued)

| <i>Ref.</i> | <i>Part Number</i> | <i>Qty.</i> | <i>Description</i> | <i>Ref.</i> | <i>Part Number</i> | <i>Qty.</i> | <i>Description</i> |
|-------------|--------------------|-------------|-------------------------|-------------|--------------------|-------------|--------------------|
| 1 | | 1 | Engine-Kohler, Kt725 ■▲ | 6 | 3256-24 | 3 | Washer-Flat |
| 1:1 | 110-6697 | 2 | Gasket-Exhaust ● | 7 | 117-1261 | 1 | Hose-Drain, Oil |
| 1:3 | 281-2 | 1 | Plug-Pipe, SQH ● | 8 | 614249 | 1 | Tie-Cable |
| 2 | 139-5868 | 1 | Muffler | 10 | 33004-00 | 4 | Nut-HF |
| 5 | 32144-109 | 4 | Screw-Thd | | | | |

● Not illustrated
 ▲ Obtain parts from www.kohlerplus.com

■ Not serviced separately

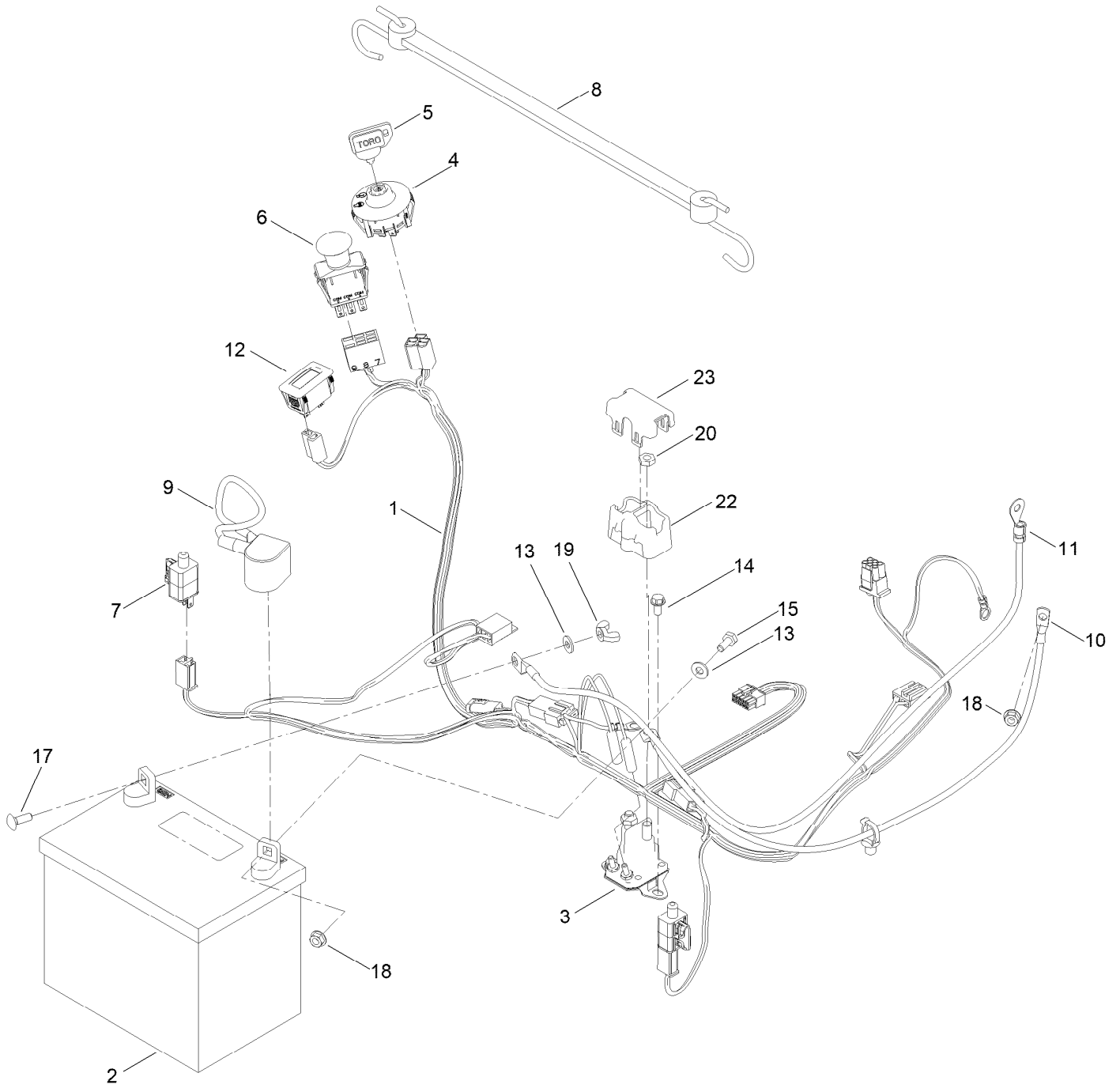
Fuel and Body Styling Assembly



Fuel and Body Styling Assembly (continued)

| <i>Ref.</i> | <i>Part Number</i> | <i>Qty.</i> | <i>Description</i> | <i>Ref.</i> | <i>Part Number</i> | <i>Qty.</i> | <i>Description</i> |
|-------------|--------------------|-------------|-------------------------|-------------|--------------------|-------------|--------------------|
| 1 | 138-9810-03 | 1 | Bracket-Pod | 15 | 139-2402 | 1 | Cable-Choke |
| 2 | 138-6071-03 | 1 | Support-Pod, LH | 18 | 110-5702 | 1 | Hose-Fuel |
| 3 | 139-3271-03 | 1 | Support-Tank, Fuel | 19 | 136-6345 | 1 | Hose-Fuel |
| 4 | 138-6074 | 1 | Pod-LH | 20 | 119-6074 | 1 | Hose-Fuel |
| 5 | 139-2404 | 1 | Pod-RH, Myride | 23 | 144-1983 | 1 | Adapter Orifice |
| 6 | 144-5304 | 1 | Tank-Fuel ASM | 24 | 2412-98 | 2 | Clamp-Hose |
| 6:1 | 139-1091 | 1 | Connector-Elbow, 90 DEG | 25 | 3290-379 | 3 | Tie-Cable |
| 6:2 | 144-5302 | 1 | Fitting-Elbow 90 | 25 | 614249 | 2 | Tie-Cable |
| 6:3 | 46-6560 | 2 | Bushing | 26 | 3258-166 | 1 | Screw-PRH |
| 7 | 609830 | 2 | Spring | 27 | 120-7950 | 6 | Screw-Torx |
| 8 | 137-4119 | 1 | Cap-Fuel, Ratcheting | 28 | 138-9753 | 5 | Screw |
| 9 | 107069 | 1 | Clip | 31 | 120-7893 | 1 | Bumper-Grommet |
| 10 | 139-2380-03 | 1 | Panel - Control | 49 | 32180-418 | 1 | Clip-Harness |
| 11 | 140-2717 | 1 | Decal-Panel Control | 50 | 2412-80 | 1 | Clamp-Hose |
| 14 | 139-3267 | 1 | Cable-Throttle | | | | |

Electrical Assembly

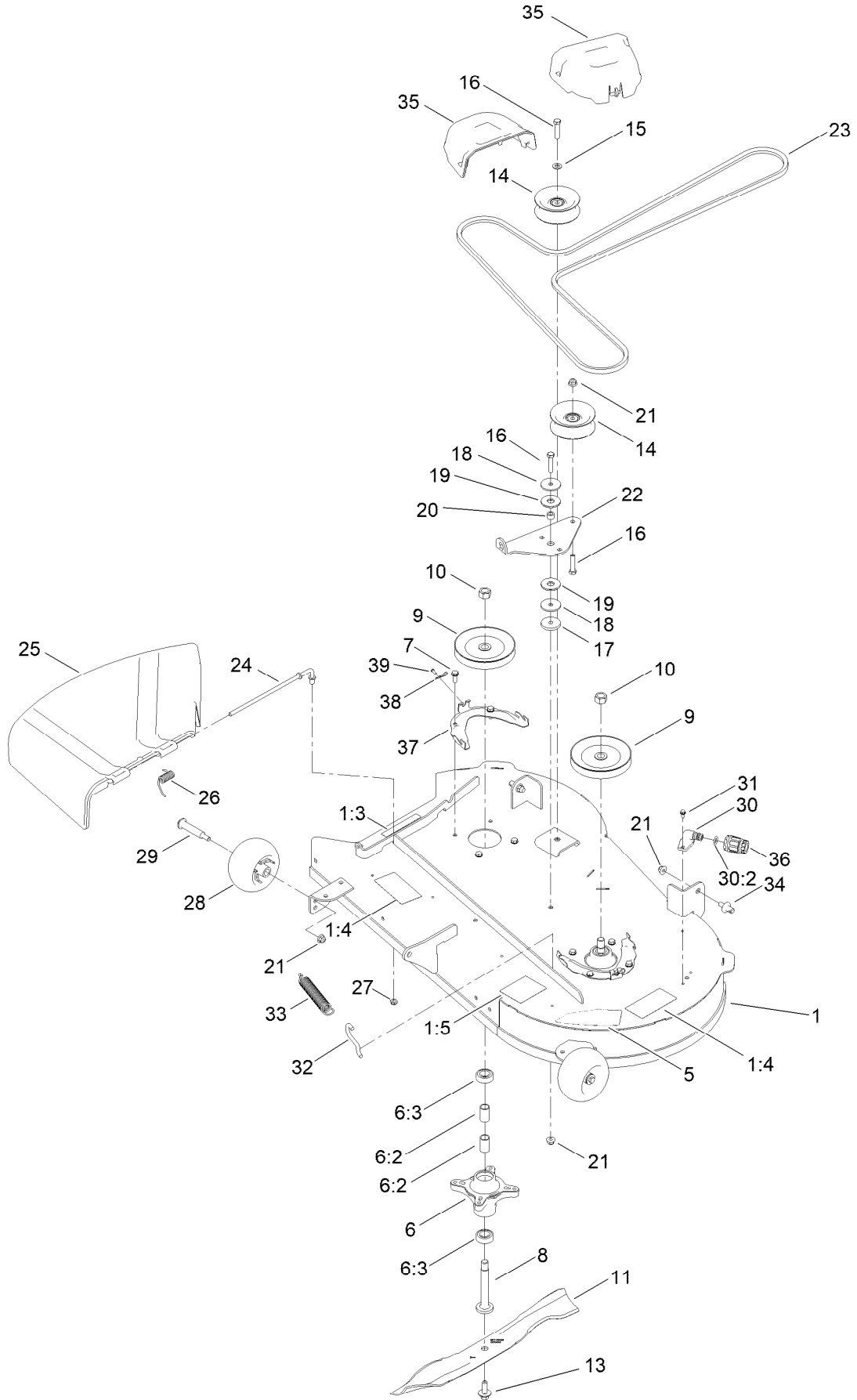


Electrical Assembly (continued)

| <i>Ref.</i> | <i>Part Number</i> | <i>Qty.</i> | <i>Description</i> | <i>Ref.</i> | <i>Part Number</i> | <i>Qty.</i> | <i>Description</i> |
|-------------|--------------------|-------------|---------------------------------|-------------|--------------------|-------------|----------------------|
| 1 | 138-2521 | 1 | Harness-Wire | 11 | 121-5726 | 1 | Cable-Battery, Black |
| 1:1 | 109355 | 1 | Fuse-Blade, 15 Amp ● | 12 | 120-2244 | 1 | Hourmeter |
| 1:2 | 109102 | 1 | Fuse-Blade, 25 Amp ● | 13 | 3256-22 | 2 | Washer-Flat |
| 2 | 105-1692 | 1 | Battery, 230CCA W/O Electrolyte | 14 | 32144-4 | 2 | Screw-HWH |
| 3 | 117-1197 | 1 | Solenoid | 15 | 321-3 | 1 | Screw-HH |
| 4 | 137-4100 | 1 | Switch-Ignition | 17 | 3229-1 | 1 | Screw-CARR |
| 5 | 63-8360 | 1 | Key-Ignition | 18 | 32128-33 | 2 | Nut-HF |
| 6 | 103-5221 | 1 | Switch-PTO | 19 | 32103-22 | 1 | Nut-Wing |
| 7 | 110-6765 | 2 | Switch | 20 | 3220-2 | 2 | Nut-Jam |
| 8 | 139-2381 | 1 | Strap-Rubber | 22 | 140-2080 | 1 | Cover-Solenoid |
| 9 | 140-2713 | 1 | Cable-Battery, Pos | 23 | 140-2081 | 1 | Cap-Solenoid |
| 10 | 139-2431 | 1 | Cable-Battery, Red (8 Gauge) | | | | |

● Not illustrated

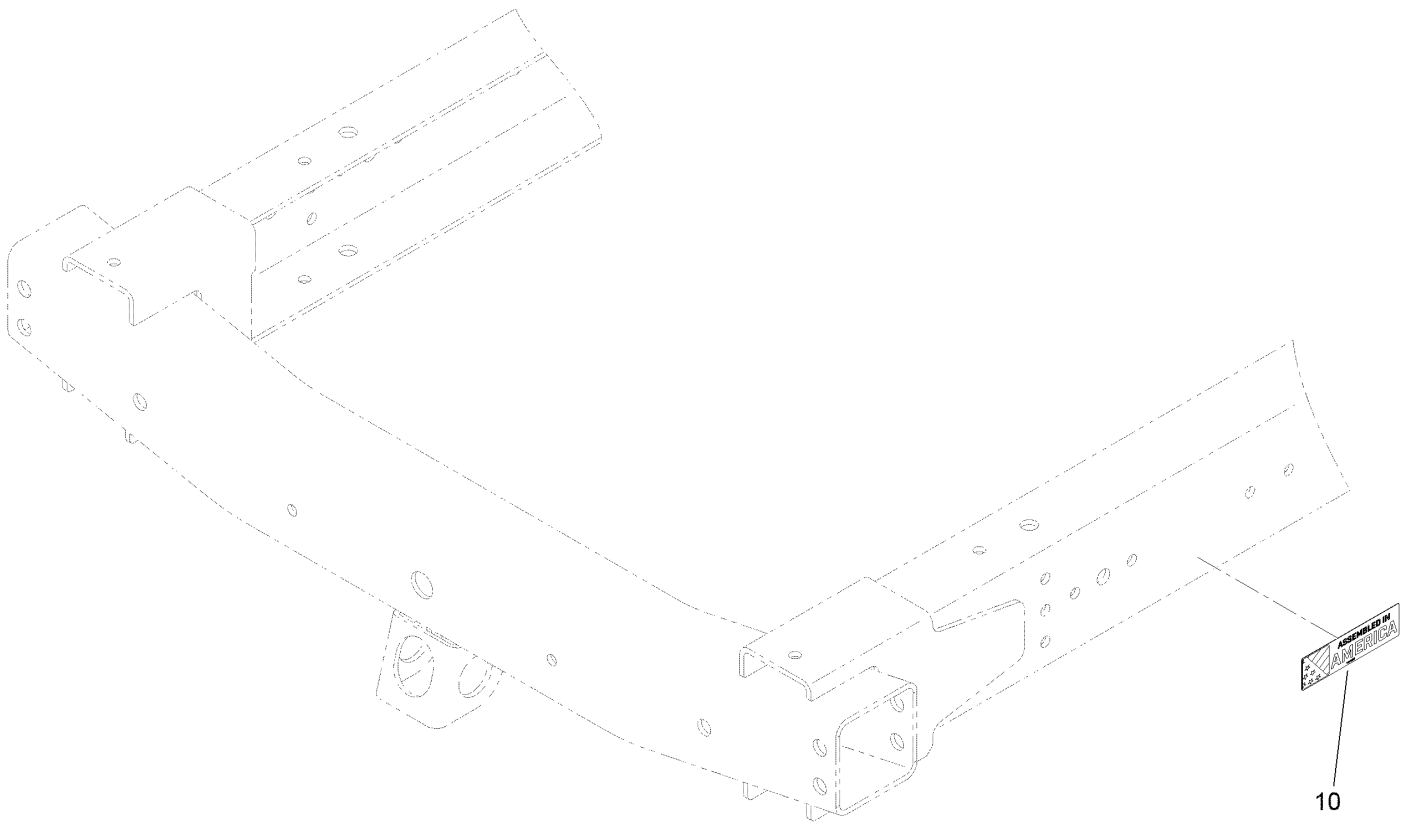
42in Deck and Decal Assembly



42in Deck and Decal Assembly (continued)

| <i>Ref.</i> | <i>Part Number</i> | <i>Qty.</i> | <i>Description</i> | <i>Ref.</i> | <i>Part Number</i> | <i>Qty.</i> | <i>Description</i> |
|-------------|--------------------|-------------|----------------------------|-------------|--------------------|-------------|---------------------|
| 1 | 138-9769 | 1 | 42In Deck And Decal ASM | 21 | 104-8301 | 6 | Nut-HF, NI |
| 1:3 | 93-7009 | 1 | Decal-Danger | 22 | 138-7262 | 1 | Arm-Idler |
| 1:4 | 132-0872 | 2 | Decal-Danger, Deck | 23 | 147-2924 | 1 | V-Belt |
| 1:5 | 105-7015 | 1 | Decal-Routing, Belt | 24 | 137-2019 | 1 | Rod-Pivot |
| 5 | 140-2123 | 1 | Decal-Deck | 25 | 138-7502 | 1 | Deflector-Discharge |
| 6 | 139-3214 | 2 | Spindle ASM | 26 | 138-7268 | 1 | Spring-Torsion |
| 6:2 | 120-7935 | 2 | Spacer | 27 | 3296-59 | 1 | Nut-Lock, NI |
| 6:3 | 138-9770 | 2 | Bearing-Ball | 28 | 1-603299 | 2 | Roller-Scalp, Anti |
| 7 | 32144-41 | 8 | Screw-Taptite | 29 | 112-3977 | 2 | Bolt-Shoulder |
| 8 | 117-7268 | 2 | Shaft-Spindle | 30 | 133-9289 | 1 | Fitting-Washout |
| 9 | 139-2433 | 2 | Pulley | 30:2 | 133-9290 | 1 | O-Ring |
| 10 | 3219-6 | 2 | Nut-Hex | 31 | 32144-4 | 2 | Screw-HWH |
| 11 | 137-1999-03 | 2 | Blade | 32 | 138-7267 | 1 | Hook-Spring, Return |
| 13 | 145-0411 | 2 | Bolt-Blade, Sems | 33 | 138-7265 | 1 | Spring Extension |
| 14 | 132-9420 | 2 | Pulley-Idler, Flat | 34 | 139-5871 | 2 | Pin-Deck |
| 15 | 3256-24 | 1 | Washer-Flat | 35 | 144-1905 | 2 | Cover-Belt |
| 16 | 323-9 | 3 | Screw-HH | 36 | 95-3270 | 1 | Connector-Hose |
| 17 | 110-9981 | 1 | Washer-Plain | 37 | 139-3272-03 | 2 | Bracket-Cover, Belt |
| 18 | 63-7400 | 2 | Washer-Rebound | 38 | 144-1944 | 2 | Pin-Hair |
| 19 | 114-0463 | 2 | Washer-Friction, Composite | 39 | 94-6961 | 2 | Screw |
| 20 | 115-4986 | 1 | Spacer | | | | |

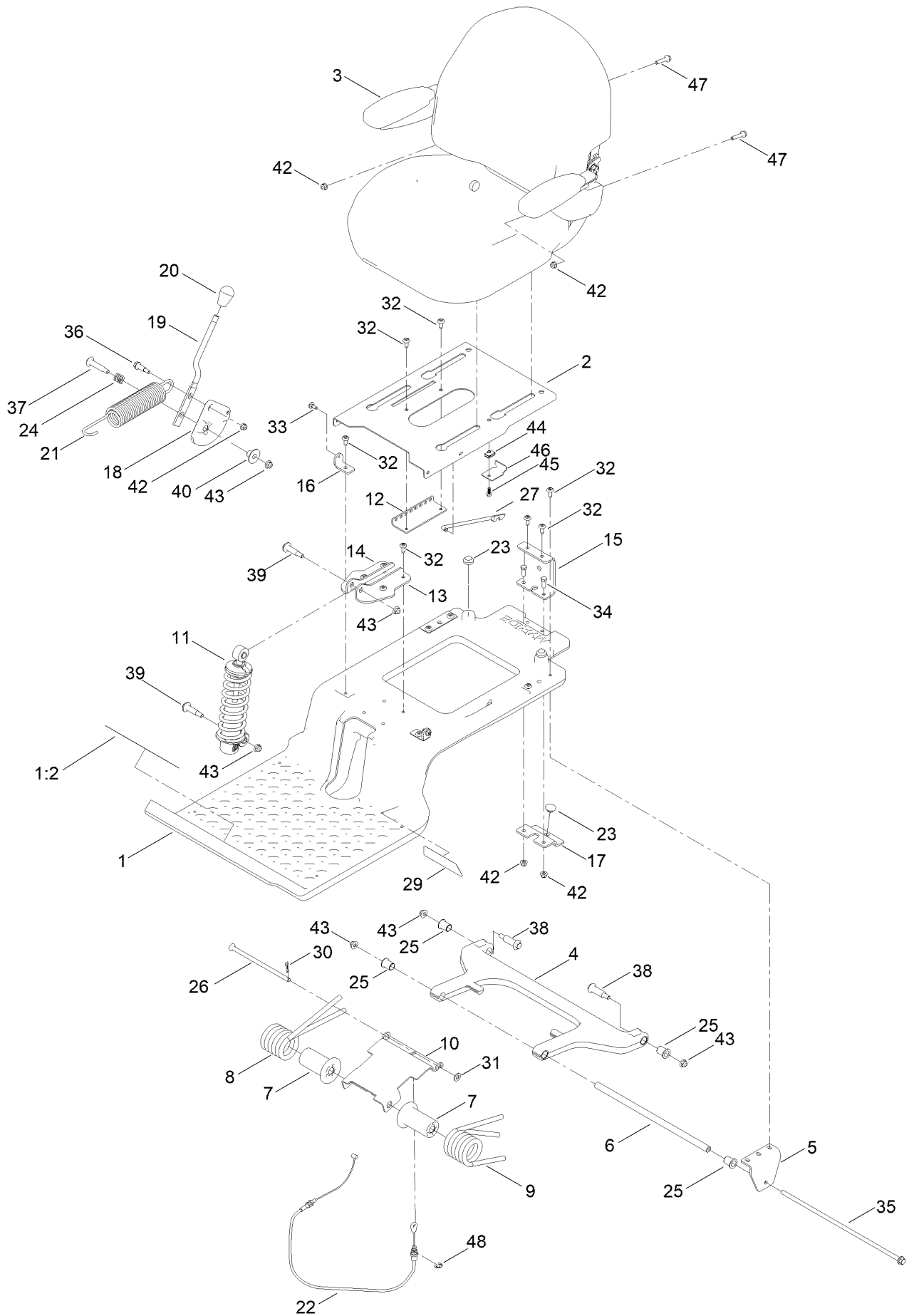
Frame Decal Assembly



Frame Decal Assembly (continued)

| <i>Ref.</i> | <i>Part Number</i> | <i>Qty.</i> | <i>Description</i> |
|-------------|--------------------|-------------|--------------------|
| 10 | 140-2099 | 1 | Decal |

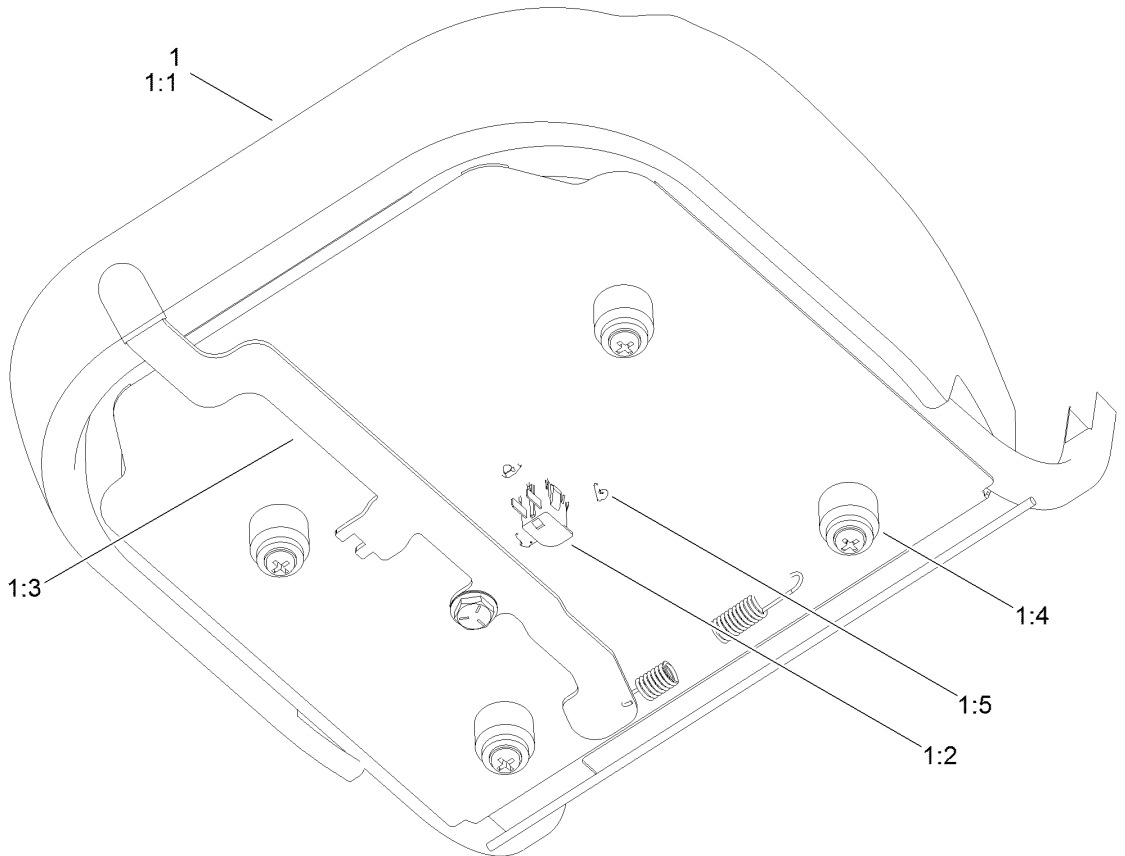
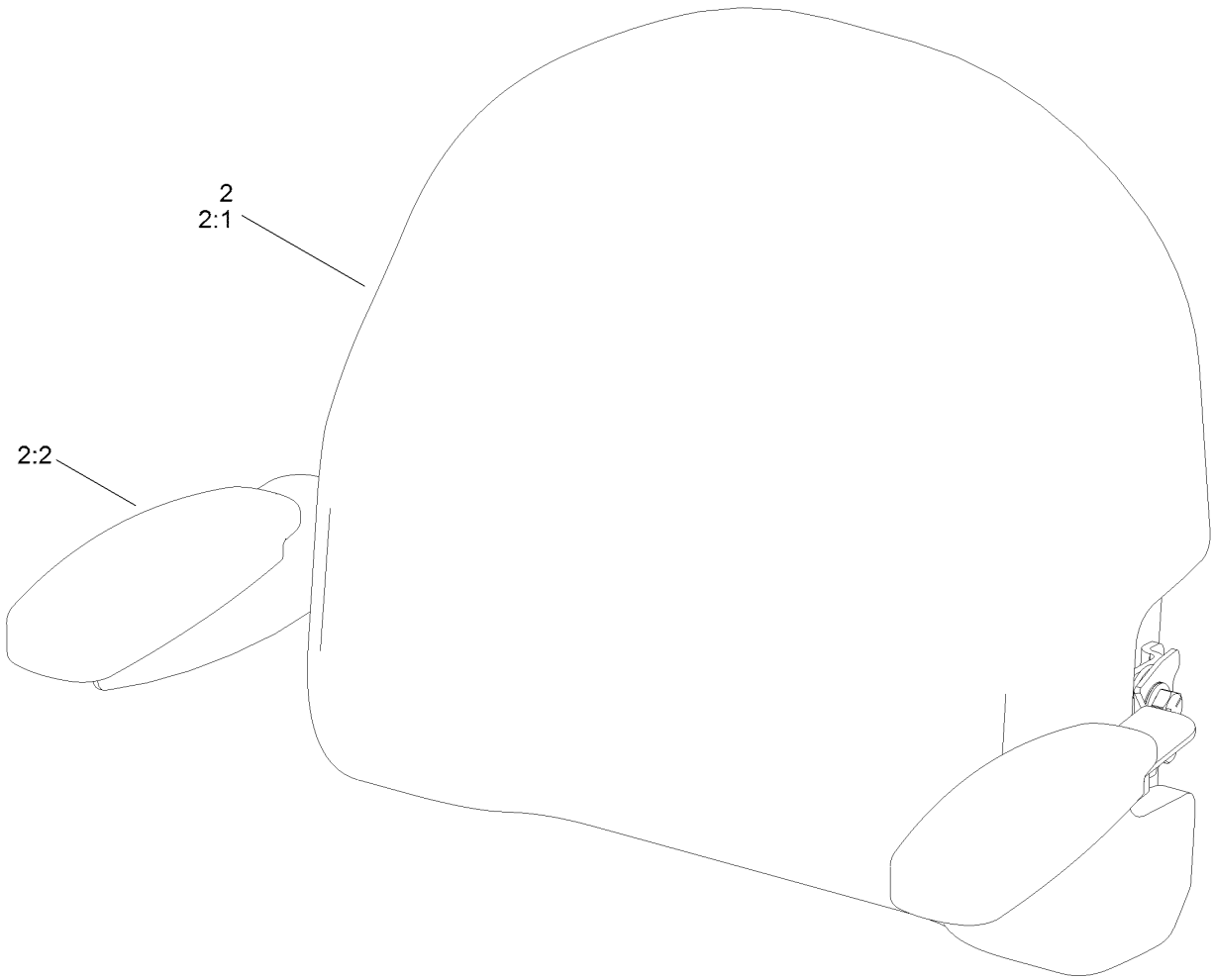
Seat Assembly



Seat Assembly (continued)

| <i>Ref.</i> | <i>Part Number</i> | <i>Qty.</i> | <i>Description</i> | <i>Ref.</i> | <i>Part Number</i> | <i>Qty.</i> | <i>Description</i> |
|-------------|--------------------|-------------|------------------------------------|-------------|--------------------|-------------|--------------------------|
| 1 | 140-5046 | 1 | Subframe ASM | 23 | 135-0505 | 3 | Bumper-Seat |
| 1:2 | 132-0869 | 1 | Decal-Danger | 24 | 139-5858 | 1 | Spring-Compression |
| 2 | 138-7540-03 | 1 | Pan-Seat | 25 | 138-2573 | 4 | Bushing-Flange |
| 3 | 140-8303 | 1 | Seat ASM | 26 | 138-9813 | 1 | Rod-Adjustment |
| 4 | 138-2563 | 1 | Arm, Swing | 27 | 138-2596 | 1 | Rod-Prop, Seat |
| 5 | 138-7517 | 2 | Bracket-Mount, Swing Arm | 29 | 140-0357 | 1 | Decal-Myride |
| 6 | 138-7549 | 1 | Tube-Spacer | 30 | 1-806003 | 1 | Pin-Cotter |
| 7 | 138-9776 | 2 | Retainer-Spring | 31 | 3256-24 | 1 | Washer-Flat |
| 8 | 137-7018 | 1 | Spring-Torsion, RH | 32 | 138-9753 | 14 | Screw |
| 9 | 137-1983 | 1 | Spring-Torsion, LH | 33 | 120-7950 | 2 | Screw-Torx |
| 10 | 138-7566-03 | 1 | Plate-Adjuster | 34 | 322-4 | 2 | Screw-HH |
| 11 | 139-2427 | 1 | Shock/Spring ASM | 35 | 138-7548 | 1 | Screw-HHF |
| 12 | 131-4008-03 | 1 | Bracket-Latch, Seat | 36 | 140-3759 | 1 | Bolt-Shoulder,HHF |
| 13 | 133-9318-03 | 1 | Bracket-Shock Mount, Upper (LH) | 37 | 92-1057 | 1 | Bolt-Shoulder |
| 14 | 133-9319-03 | 1 | Bracket-Shock Mount, Upper (RH) | 38 | 138-2547 | 2 | Bolt-Shoulder |
| 15 | 138-9788 | 1 | Bracket-Cable | 39 | 136-7198 | 2 | Bolt-Shoulder |
| 16 | 138-7522 | 2 | Bracket-Seat | 40 | 139-5800 | 1 | Bushing - Flange |
| 17 | 139-2361-03 | 1 | Bracket Lower | 42 | 104-8300 | 5 | Nut-HF, NI |
| 18 | 138-9814 | 1 | Pulley - Cam | 43 | 119-4042 | 6 | Nut-HF, NI |
| 19 | 138-9822 | 1 | Lever - Adjustment | 44 | 107069 | 1 | Clip |
| 20 | 140-5176 | 1 | Knob-Mr | 45 | 99-6810 | 1 | Screw-HHF |
| 21 | 138-9848 | 1 | Spring-Extension | 46 | 138-7214 | 1 | Bracket-Stop, Seat |
| 22 | 138-9812 | 1 | Cable-Adjustment, Myride | 47 | 140-5024 | 2 | Screw-HHF |
| | | | | 48 | 32120-47 | 1 | Ring-Retaining, External |

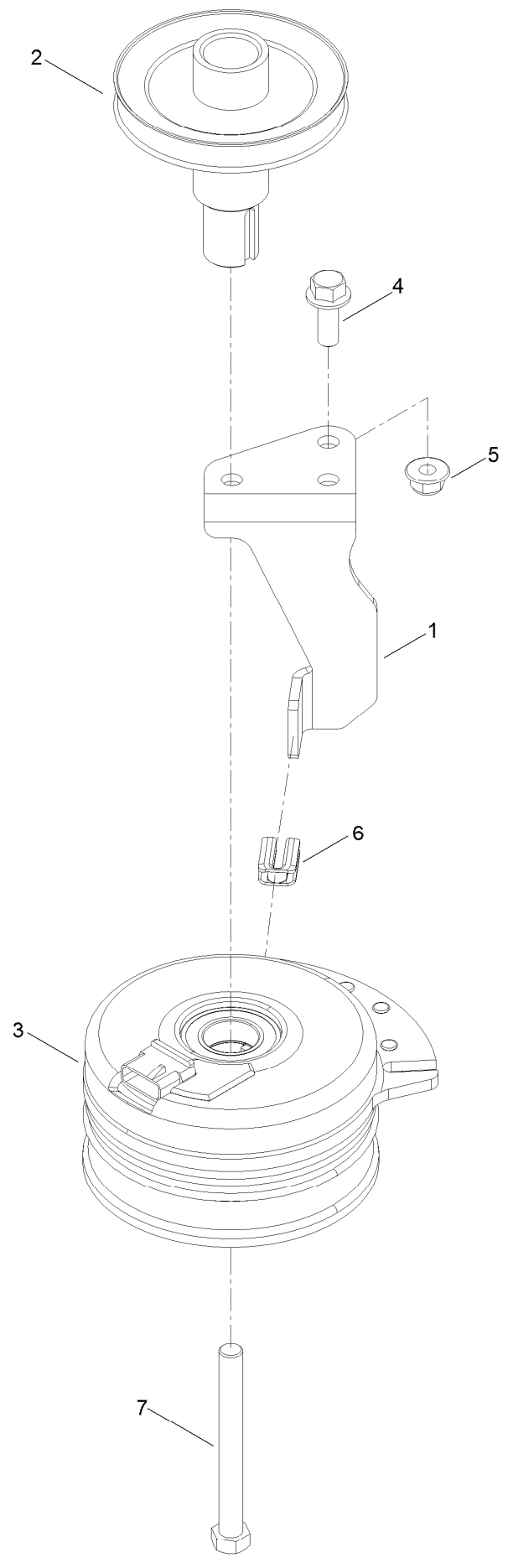
Seat Assembly No. 140-8303



Seat Assembly No. 140-8303 (continued)

| <i>Ref.</i> | <i>Part Number</i> | <i>Qty.</i> | <i>Description</i> | <i>Ref.</i> | <i>Part Number</i> | <i>Qty.</i> | <i>Description</i> |
|-------------|--------------------|-------------|--------------------|-------------|--------------------|-------------|----------------------|
| 1 | 140-8323 | 1 | Seat ASM - Bottom | 1:5 | 140-3468 | 1 | Cap-Switch, Actuator |
| 1:1 | 140-5042 | 1 | Cover-Seat Base | 2 | 140-8324 | 1 | Seat ASM -Back |
| 1:2 | 82-2190 | 1 | Switch-Bail | 2:1 | 140-5041 | 1 | Cover-Seat Back |
| 1:3 | 131-4153 | 1 | Track ASM | 2:2 | 139-5823 | 1 | Arm Rest Kit |
| 1:4 | 131-4154 | 1 | Bushing ASM | | | | |

Clutch Assembly



Clutch Assembly (continued)

| <i>Ref.</i> | <i>Part Number</i> | <i>Qty.</i> | <i>Description</i> | <i>Ref.</i> | <i>Part Number</i> | <i>Qty.</i> | <i>Description</i> |
|-------------|--------------------|-------------|----------------------|-------------|--------------------|-------------|--------------------|
| 1 | 138-7275 | 1 | Stop-Clutch (Narrow) | 5 | 104-8301 | 1 | Nut-HF, NI |
| 2 | 138-9792 | 1 | Pulley-Engine | 6 | 120-2217 | 1 | Isolator-Clutch |
| 3 | 117-7468 | 1 | Clutch-Electric | 7 | 3212-16 | 1 | Screw-HH |
| 4 | 3234-42 | 1 | Screw-HHF | | | | |

Attachments and Accessories

For 75758TA TimeCutter MyRIDE 42in Riding Mower

| Product Name | Model/Part |
|---|-------------------|
| Twin Bagger, Timecutter 42 Inch Fab..... | 79411 |
| 42 Inch Recycler Kit..... | 139-3265 |
| 42 Inch Bagging Enhancement Kit..... | 139-7478 |
| 42 Inch Striping Kit..... | 140-5159 |
| Hourmeter Kit | 116-5461 |
| Front Weight Kit..... | 140-2050 |
| Assist Bar Kit | 140-2052 |
| Heavy Duty Spring Kit..... | 140-2051 |
| ROPS Kit | 79485 |
| Slope Sensor Kit..... | 79486 |
| LED Light Kit..... | 140-2056 |
| Sunshade Kit | 140-2054 |
| Deck Footlift Assist Kit | 140-2059 |
| Floormat Kit | 140-2061 |
| Jack Mount Kit..... | 140-2711 |
| Jack Kit..... | 127-6666 |
| Replacement Blade Kit | 137-1999-03P |
| Storage Cover | 490-7516 |
| Seat Cover w/Arm Rest | 117-0097 |
| 4-Cycle Fuel, Snow And Lawn 32oz Can | 131-3823 |
| Fuel Stabilizer .05 oz | 130-2393 |
| Toro Premium Fuel Treatment 12 Oz Bottle | 131-6572 |
| 10w30 4-Cycle Engine Oil (32oz Bottle)..... | 38280 |
| Toro 4-Cycle SAE 30 Oil (32oz Bottle) | 38903 |
| Mower Deck Drive Belt, TimeCutter SS Riding Mower with 42-inch Mowing Deck..... | 79004 |
| Caster Wheel Kit..... | 145-0475 |

Notes:



Count on it.