



Count on it.

Parts Catalog

**TimeCutter® 60in
Riding Mower**

Model No. 75763—Serial No. 40000000 and Up



Ordering Replacement Parts

To order replacement parts, please supply the part number, the quantity, and the description of each part desired.

Understanding Reference Numbers

Each identified part in an illustration has a reference number. The reference number for a part also appears in the parts list, along with other information about the part.

This catalog uses two special reference number formats, one to indicate parts in a service assembly and another to indicate the quantity of a given part in an illustration.

Service Assembly Reference Numbers

Parts in service assemblies have reference numbers in the form a:b. The a represents the reference number of the entire service assembly and the b represents a sequential number unique to each part within the service assembly.

For example, a wheel assembly might be identified by reference number 6, the tire by 6:1, the valve by 6:2, and the wheel by 6:3. When you order the assembly identified by reference number 6, you receive all parts identified by reference numbers 6:1, 6:2, and 6:3. However, you may also order any part individually. Reference numbers of this type appear in illustration and in parts lists.

Reference Numbers Indicating Quantity

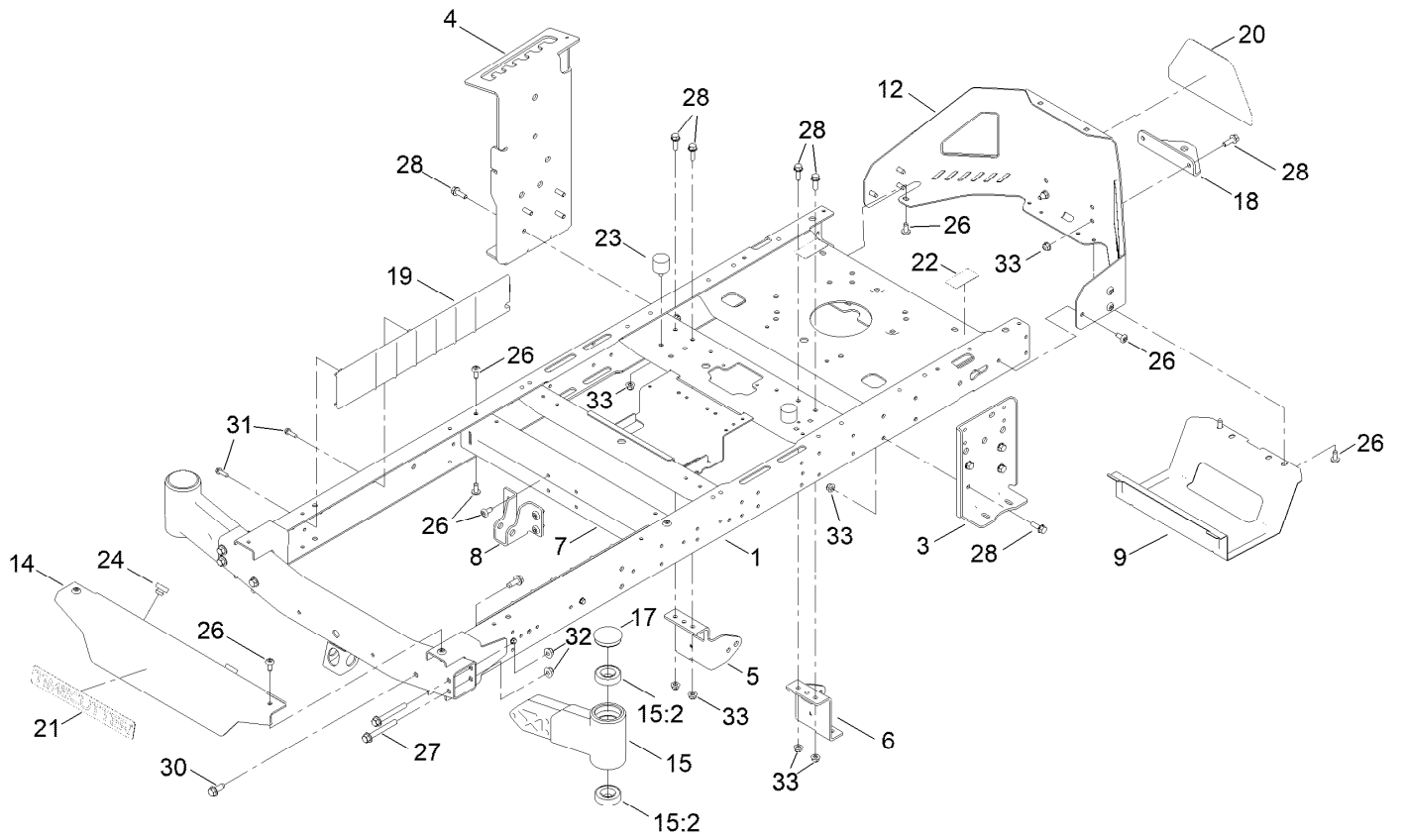
In an illustration, if a reference number indicates more than one part, the reference number has the form nX y. The n represents the quantity of the part, the X is the multiplication symbol, and the y represents the reference number.

For example, in an illustration, the reference number 2X 37 means that two of the parts identified by reference number 37 are indicated.

Contents

Frame Assembly	4
Deck Lift Assembly	6
Caster Wheel Assembly	8
Traction Drive Assembly	10
RH Hydro Transmission Assembly No. 140-8300	12
LH Hydro Transmission Assembly No. 140-8301	14
Parking Brake Assembly	16
Rear Tire Assembly	18
Motion Control Assembly	20
Engine Assembly	22
Fuel and Body Styling Assembly	24
Electrical Assembly	26
60in Deck and Decal Assembly	28
Seat Pan Assembly	30
Seat Assembly No. 140-8303	32
Clutch Assembly	34
Attachments and Accessories	36

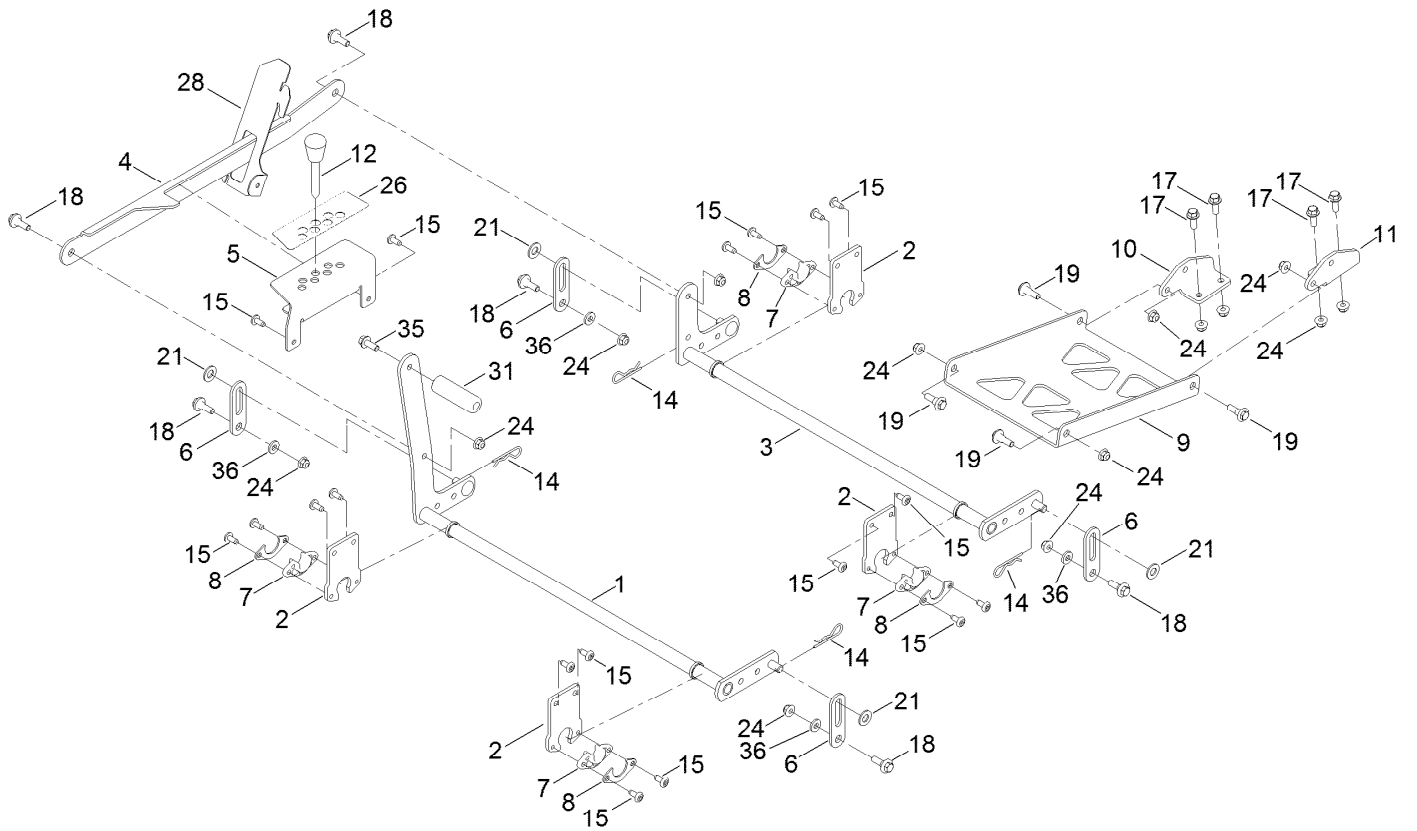
Frame Assembly



Frame Assembly (continued)

<i>Ref.</i>	<i>Part Number</i>	<i>Qty.</i>	<i>Description</i>	<i>Ref.</i>	<i>Part Number</i>	<i>Qty.</i>	<i>Description</i>
1	137-9820-05	1	Frame ASM - Riveted/Welded	17	138-7200	2	Cap-Grease
3	138-7520-05	1	Plate-Mount, Hydro	18	117-1232-03	1	Bracket-Hitch
4	139-2352-01	1	Plate-Mount Hydro, RH	19	138-7516	2	Guard-Rail
5	137-7020-01	1	Mount-Hydro, Front (Right)	20	147-3019	1	Decal-Timecutter
6	139-3211-01	1	Mount-Hydro, Front (Left)	21	147-3018	1	Decal-Timecutter
7	138-2527-05	1	Brace-Cross, Lower (Painted)	22	147-5163	2	Decal-Bypass
8	139-3260-05	1	Bracket-Mount Damper, Lower	23	137-4803	2	Bumper-Rubber
9	138-0867-03	1	Guard-Muffler	24	140-3460	2	Bumper-Rubber
12	138-9820-05	1	Guard-Engine	26	138-9753	20	Screw
14	138-7596-05	1	Footrest (Painted)	27	139-2429	4	Screw-HHF
15	140-2097	2	Axle Stub ASM	28	3234-29	14	Screw-HHF
15:2	109-3678	2	Bearing-Ball	30	139-2428	4	Screw-HWH
				31	46-8091	4	Screw-HWH
				32	139-2430	4	Nut-HF, NI
				33	104-8300	16	Nut-HF, NI

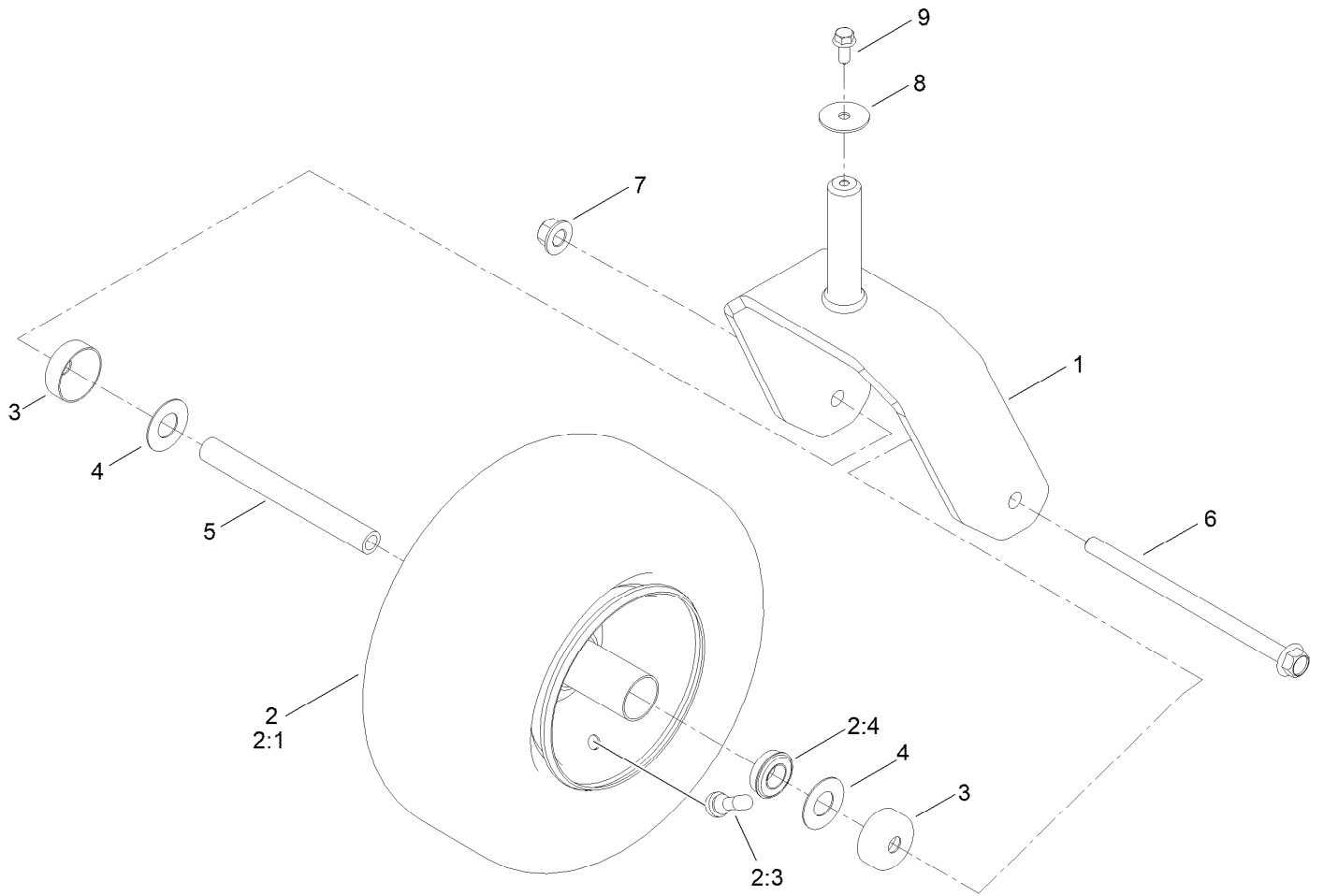
Deck Lift Assembly



Deck Lift Assembly (continued)

<i>Ref.</i>	<i>Part Number</i>	<i>Qty.</i>	<i>Description</i>	<i>Ref.</i>	<i>Part Number</i>	<i>Qty.</i>	<i>Description</i>
1	138-2503-03	1	Pivot Front ASM	14	1-806005	4	Pin-Cotter
2	138-9804-03	4	Support-Cross, Shaft	15	138-9753	18	Screw
3	138-2504-03	1	Rear Pivot ASM	17	3234-42	4	Screw-HHF
4	137-5091-03	1	Link-HOC	18	137-9847	6	Screw-Shoulder
5	137-5092-03	1	Bracket-HOC	19	109-9840	4	Screw-Shoulder, HHF
6	137-7001-03	4	Link-Decklift	21	3256-26	4	Washer-Flat
7	139-5872	4	Bearing-Flange	24	104-8301	14	Nut-HF, NI
8	138-7204	4	Gusset-Deck Lift	26	139-5892	1	Decal-HOC
9	139-2435-03	1	Pan-Deck Pivot	28	139-5804-03	1	Bracket-HOC
10	139-3200-01	1	Mount-Pan, LH	31	139-7452	1	Pedal-Foot Lift
11	139-3201-01	1	Mount-Pan, RH	35	139-2597	1	Screw-HHF
12	140-2146	1	HOC Pin ASM	36	43-0940	4	Spacer

Caster Wheel Assembly

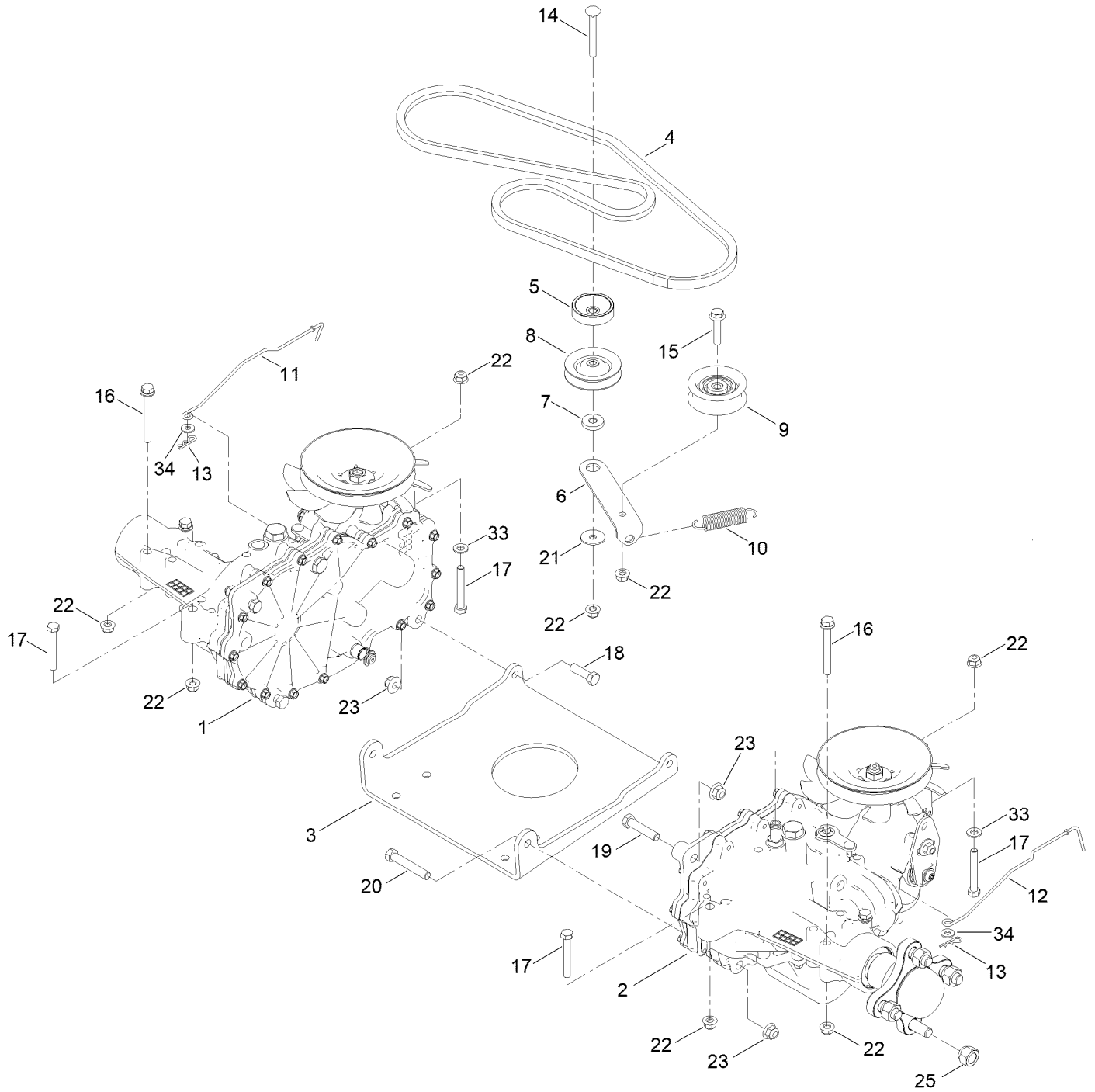


Caster Wheel Assembly (continued)

<i>Ref.</i>	<i>Part Number</i>	<i>Qty.</i>	<i>Description</i>	<i>Ref.</i>	<i>Part Number</i>	<i>Qty.</i>	<i>Description</i>
1	133-4375-05	2	Fork ASM [blk-Txt]	4	136-5590	4	Washer
2	139-5844	2	Tire ASM	5	133-4487	2	Spanner-Wheel
2:1	125-5581	1	Tire	6	126-5389	2	Screw-HHF
2:3	232-27	1	Stem-Valve	7	99-5107	2	Nut-Lock
2:4	136-4190	2	Bearing	8	3256-68	2	Washer-Flat
2:99	232-46	1	Tube-Inner ●	9	3234-47	2	Screw-HHF
3	138-7208	4	Guard-Seal				

● Not illustrated

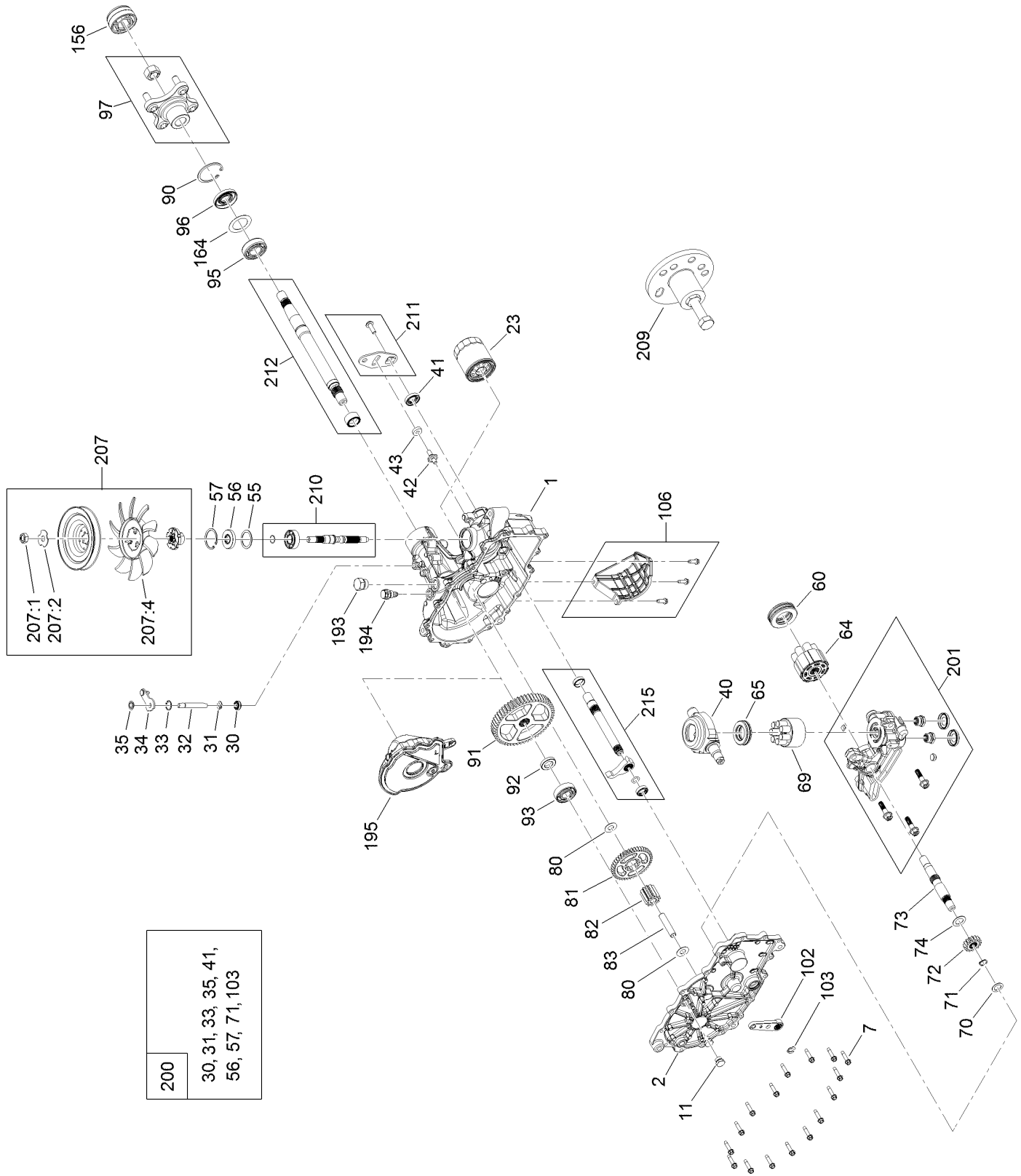
Traction Drive Assembly



Traction Drive Assembly (continued)

<i>Ref.</i>	<i>Part Number</i>	<i>Qty.</i>	<i>Description</i>	<i>Ref.</i>	<i>Part Number</i>	<i>Qty.</i>	<i>Description</i>
1	140-8300	1	RH Hydro Transmission ASM	13	3290-307	2	Pin-Cotter
2	140-8301	1	LH Hydro Transmission ASM	14	3230-8	1	Screw-CARR
3	137-7014-01	1	Plate- Hydro	15	115-1794	1	Screw-HHF
4	140-2700	1	V-Belt	16	138-7590	4	Screw-HHF
5	138-9809	1	Spacer	17	322-11	4	Screw-HH
6	138-7276	1	Arm-Idler	18	323-7	2	Screw-HH
7	138-7277	1	Spacer-Arm, Idler	19	323-9	2	Screw-HH
8	68-0030	1	Idler	20	323-11	2	Screw-HH
9	138-7597	1	Pulley-Idler, Flat	21	5-4460	1	Washer-Pivot
10	137-7040	1	Spring-Return, Pedal	22	104-8300	10	Nut-HF, NI
11	130-7047	1	Rod-Bypass, RH	23	104-8301	6	Nut-HF, NI
12	130-7048	1	Rod-Bypass, LH	25	242-50	8	Nut-Lug
				33	3256-23	2	Washer-Plain
				34	119-8952	2	Washer

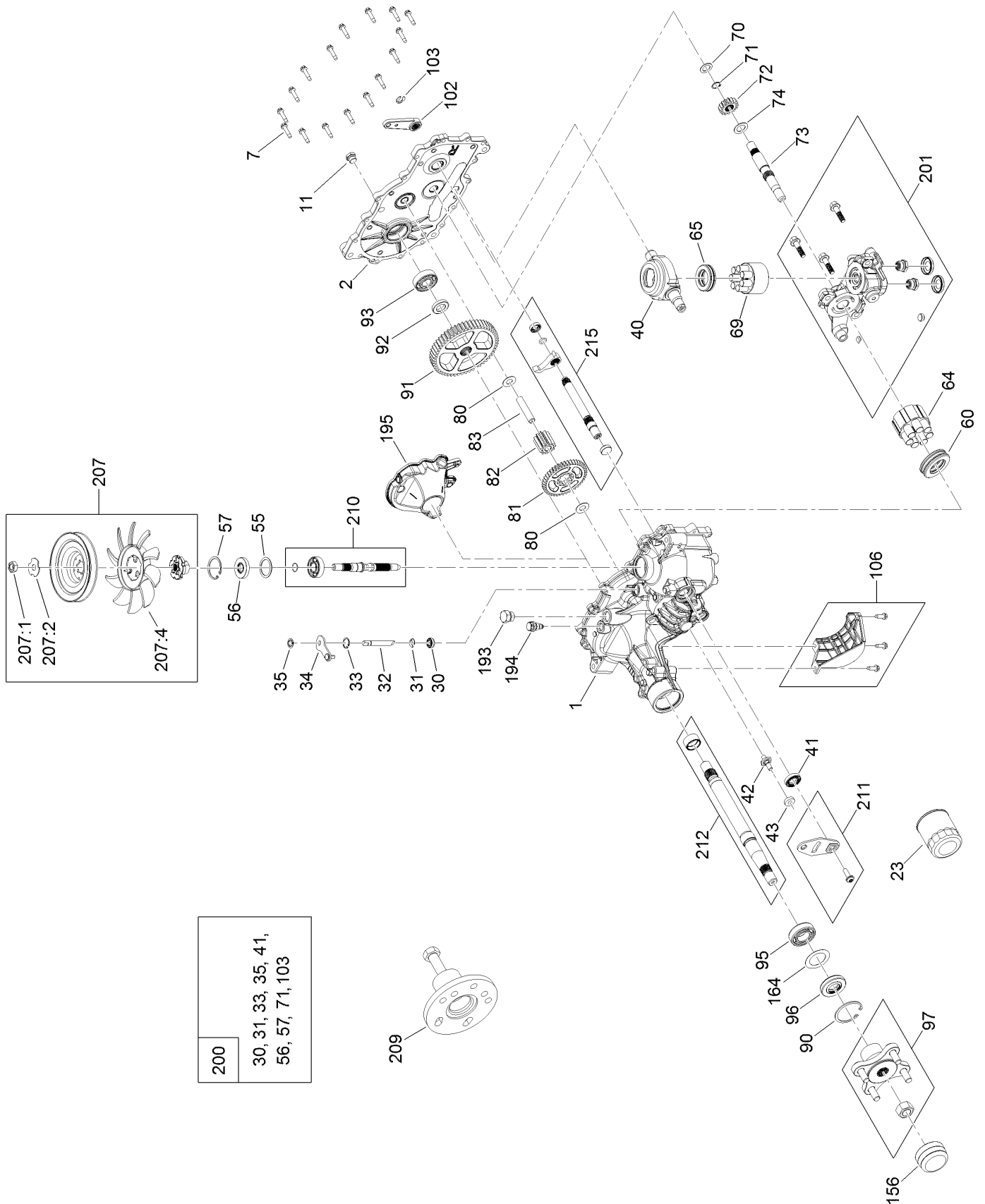
RH Hydro Transmission Assembly No. 140-8300



RH Hydro Transmission Assembly No. 140-8300 (continued)

<i>Ref.</i>	<i>Part Number</i>	<i>Qty.</i>	<i>Description</i>	<i>Ref.</i>	<i>Part Number</i>	<i>Qty.</i>	<i>Description</i>
1	140-8348	1	LH Control Main Housing Kit	81	125-0000	1	Gear-43T
2	140-8350	1	LH Side Cover Kit	82	114-1693	1	Gear-11T
7	117-5359	16	Screw-HHF	83	104-5329	1	Pin-Jackshaft
11	135-1140	1	Plug-Straight	90	104-2169	1	Ring-Retaining
23	109-3321	1	Element-Oil Filter, HYD	91	114-1694	1	Gear-54T
30	139-7497	1	Seal-Lip	92	120-7975	1	Spacer
31	106-8677	1	Ring-Retaining, External	93	137-2004	1	Bearing Kit
32	114-1685	1	Rod-Bypass	95	130-8477	1	Bearing-Ball
33	106-8679	1	Ring-Retaining, Internal	96	104-2144	1	Seal
34	107-2490	1	Arm-Bypass	97	109-5939	1	Hub Kit
35	106-8681	1	Ring-Retaining, External	102	125-0021	1	Handle-Brake
40	104-5304	1	Swashplate-Trunnion	103	131-0906	1	Ring-Retaining, EXT
41	104-5313	1	Seal-Lip	106	139-7498	1	Filter Guard Kit
42	104-2116	1	Stud	156	115-5057	1	Cover-Nut, Axle
43	112-9853	1	Puck-Friction	164	121-5745	1	Spacer
55	104-5308	1	Spacer	193	140-8343	1	Plug
56	104-5310	1	Seal-Lip	194	140-8356	1	Breather Fitting ASM
57	104-5309	1	Ring-Retaining	195	140-8358	1	LH Internal Expansion Tank ASM
60	112-4154	1	Bearing-Thrust	200	140-8351	1	Seal Kit
64	139-4074	1	Cylinder Block ASM Kit	201	125-0036	1	Center Section Kit
65	94-6922	1	Bearing-Thrust	207	135-7343	1	Fan And Pulley Kit
69	110-8561	1	Pump Block ASM	209	114-8467	1	Puller-Hub, 4 Bolt
70	104-5339	1	Washer-Flat	210	140-8344	1	Input Shaft Kit
71	104-5340	1	Ring-Retaining	211	117-5362	1	Control Arm Kit
72	121-5749	1	Gear-16T	212	114-8470	1	Axle Shaft Kit
73	114-1691	1	Shaft-Motor	215	140-8353	1	Inboard Kit
74	104-5360	1	Washer				
80	94-1933	2	Washer				

LH Hydro Transmission Assembly No. 140-8301

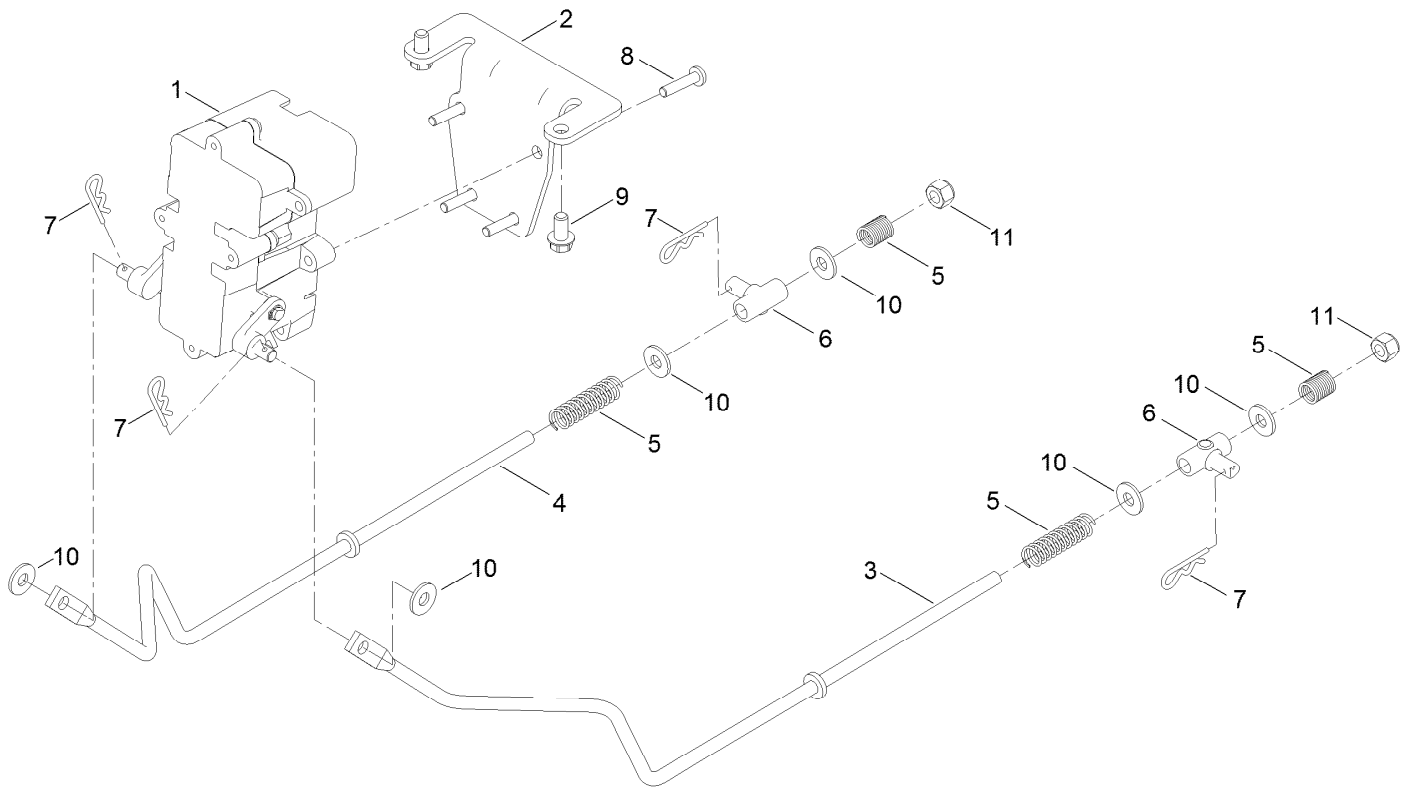


- | |
|--|
| 200 |
| 30, 31, 33, 35, 41,
56, 57, 71, 103 |

LH Hydro Transmission Assembly No. 140-8301 (continued)

<i>Ref.</i>	<i>Part Number</i>	<i>Qty.</i>	<i>Description</i>	<i>Ref.</i>	<i>Part Number</i>	<i>Qty.</i>	<i>Description</i>
1	140-8346	1	RH Control Main Housing Kit	80	94-1933	2	Washer
2	140-8349	1	RH Side Cover Kit	81	125-0000	1	Gear-43T
7	117-5359	16	Screw-HHF	82	114-1693	1	Gear-11T
11	135-1140	1	Plug-Straight	83	104-5329	1	Pin-Jackshaft
23	109-3321	1	Element-Oil Filter, HYD	90	104-2169	1	Ring-Retaining
30	139-7497	1	Seal-Lip	91	114-1694	1	Gear-54T
31	106-8677	1	Ring-Retaining, External	92	120-7975	1	Spacer
32	114-1685	1	Rod-Bypass	93	137-2004	1	Bearing Kit
33	106-8679	1	Ring-Retaining, Internal	95	130-8477	1	Bearing-Ball
34	112-9852	1	Arm-Bypass	96	104-2144	1	Seal
35	106-8681	1	Ring-Retaining, External	97	109-5939	1	Hub Kit
40	104-5304	1	Swashplate-Trunnion	102	125-0021	1	Handle-Brake
41	104-5313	1	Seal-Lip	103	131-0906	1	Ring-Retaining, EXT
42	104-2116	1	Stud	106	139-7499	1	Filter Guard Kit
43	112-9853	1	Puck-Friction	156	115-5057	1	Cover-Nut, Axle
55	104-5308	1	Spacer	164	121-5745	1	Spacer
56	104-5310	1	Seal-Lip	193	140-8343	1	Plug
57	104-5309	1	Ring-Retaining	194	140-8356	1	Breather Fitting ASM
60	112-4154	1	Bearing-Thrust	195	140-8357	1	RH Internal Expansion Tank ASM
64	139-4074	1	Cylinder Block ASM Kit	200	140-8351	1	Seal Kit
65	94-6922	1	Bearing-Thrust	201	132-0940	1	RH Center Section Kit
69	110-8561	1	Pump Block ASM	207	135-7343	1	Fan And Pulley Kit
70	104-5339	1	Washer-Flat	209	114-8467	1	Puller-Hub, 4 Bolt
71	104-5340	1	Ring-Retaining	210	140-8344	1	Input Shaft Kit
72	121-5749	1	Gear-16T	211	117-5362	1	Control Arm Kit
73	114-1691	1	Shaft-Motor	212	114-8470	1	Axle Shaft Kit
74	104-5360	1	Washer	215	140-8352	1	Inboard Kit

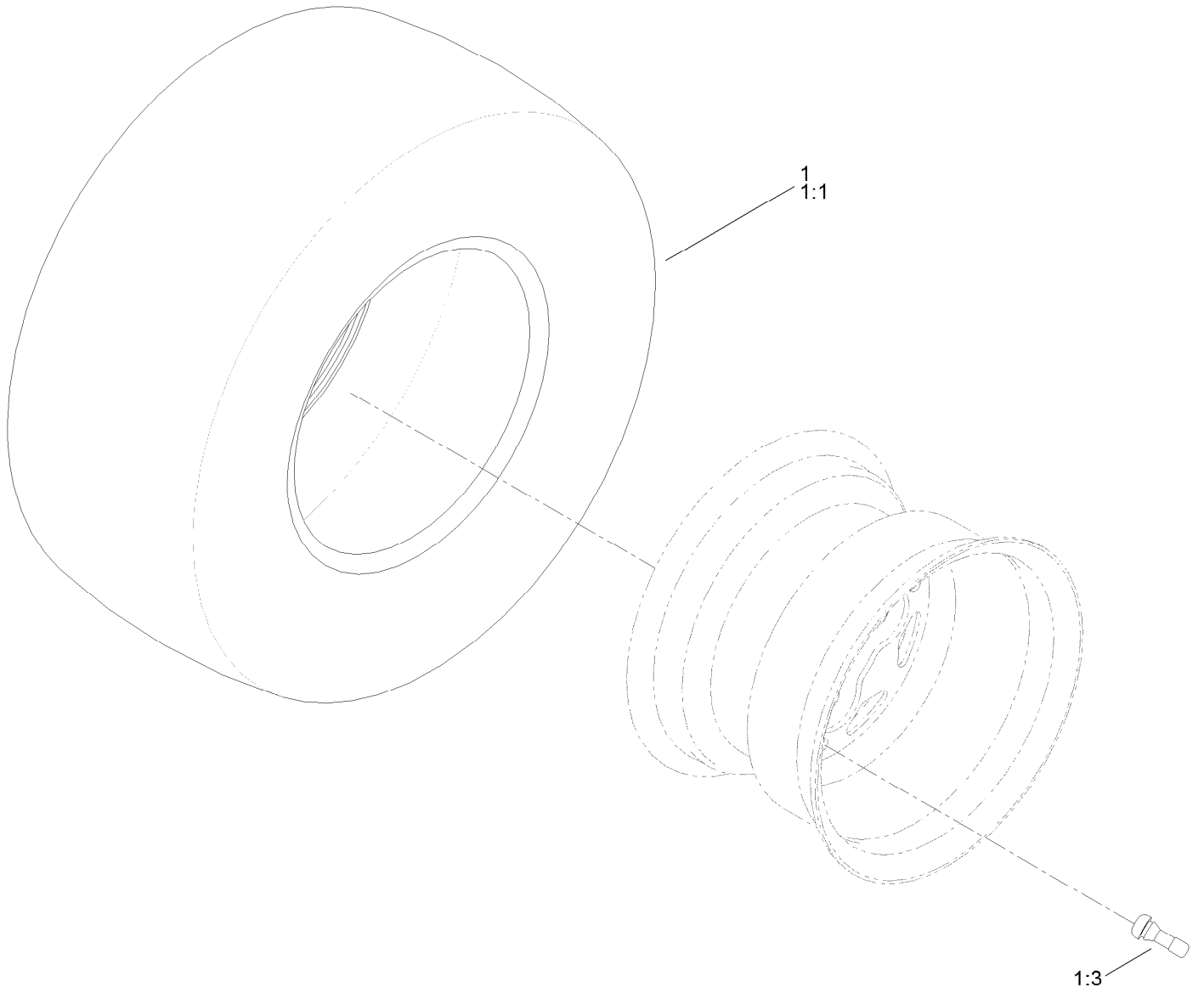
Parking Brake Assembly



Parking Brake Assembly (continued)

<i>Ref.</i>	<i>Part Number</i>	<i>Qty.</i>	<i>Description</i>	<i>Ref.</i>	<i>Part Number</i>	<i>Qty.</i>	<i>Description</i>
1	138-2514	1	Brake Box ASM	7	3290-307	4	Pin-Cotter
2	133-9284-03	1	Bracket-Mount, Brake	8	32144-36	4	Screw-PPH
3	138-7524	1	Rod-Brake,LH	9	32144-4	2	Screw-HWH
4	138-7523	1	Rod-Brake,RH	10	119-8952	6	Washer
5	121-5654	4	Spring-Compression	11	3296-42	2	Nut-Lock, NI
6	119-8857	2	Mount-Pivot				

Rear Tire Assembly

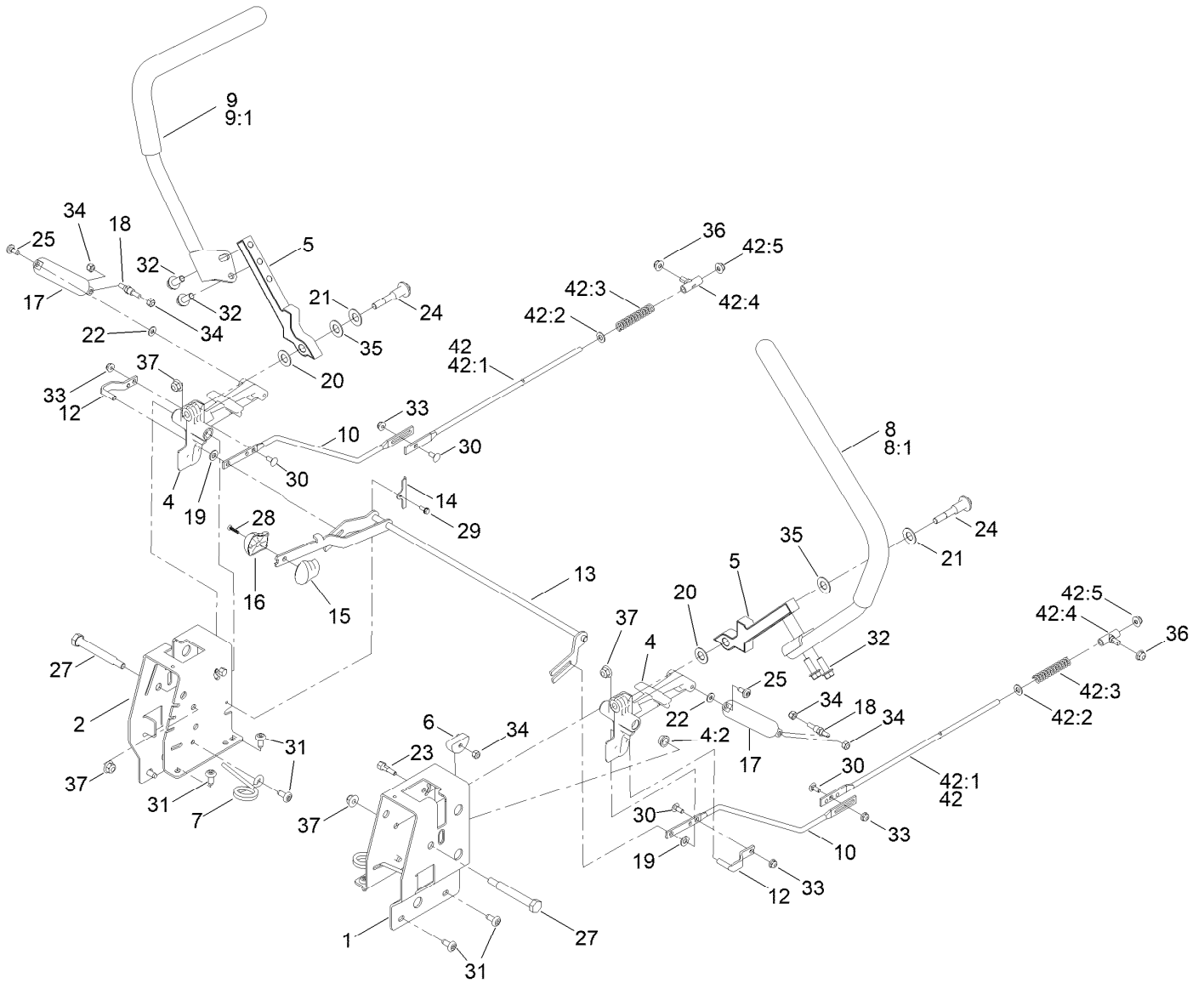


Rear Tire Assembly (continued)

<i>Ref.</i>	<i>Part Number</i>	<i>Qty.</i>	<i>Description</i>	<i>Ref.</i>	<i>Part Number</i>	<i>Qty.</i>	<i>Description</i>
1	139-5849	2	Tire ASM	1:3	232-27	1	Stem-Valve
1:1	133-9293	1	Tire	1:99	105-4070	1	Tube-Inner ●

● Not illustrated

Motion Control Assembly

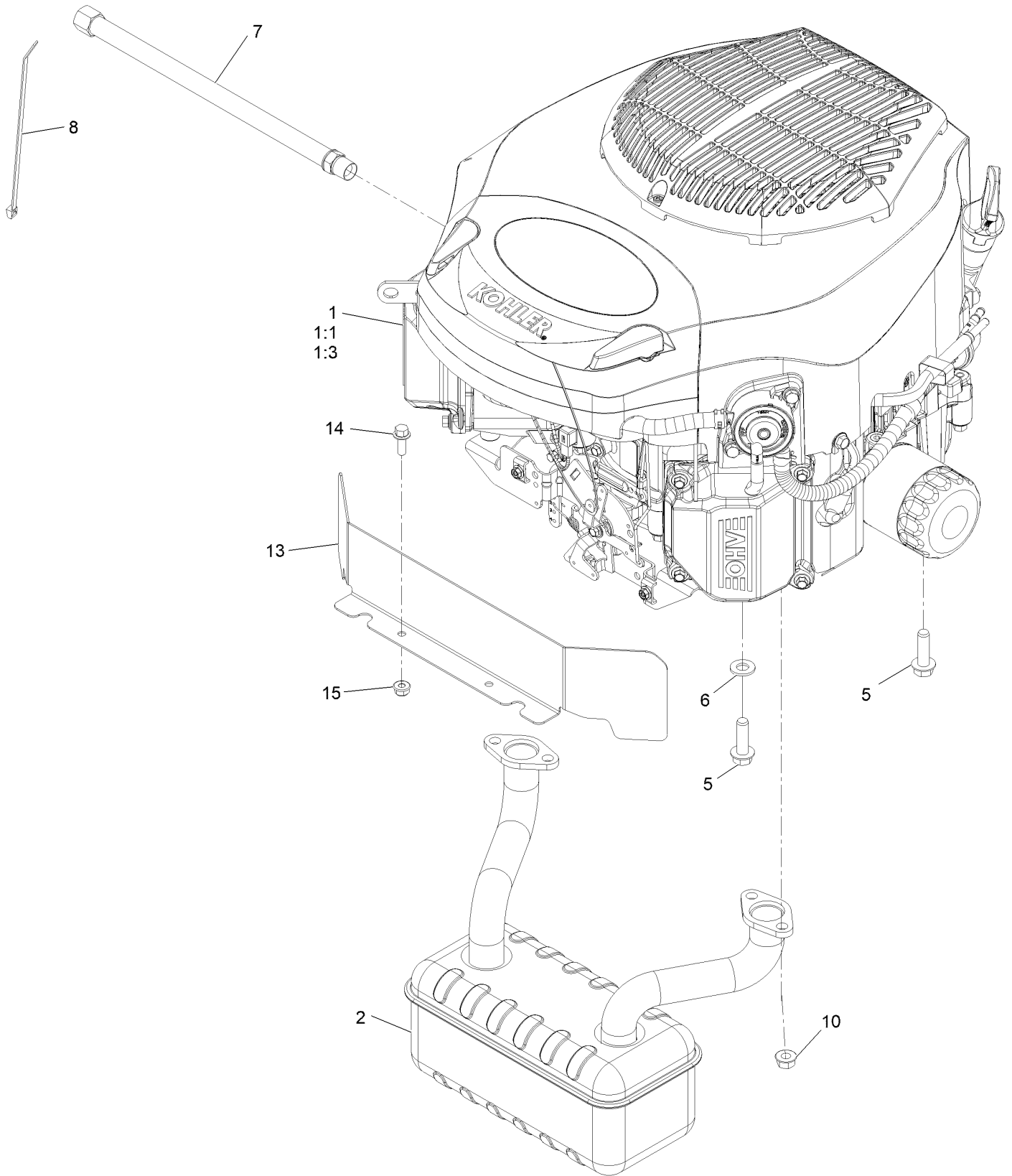


Motion Control Assembly (continued)

<i>Ref.</i>	<i>Part Number</i>	<i>Qty.</i>	<i>Description</i>	<i>Ref.</i>	<i>Part Number</i>	<i>Qty.</i>	<i>Description</i>
1	138-7598-03	1	Plate-Control Box, LH	22	119-8952	2	Washer
2	138-7599-03	1	Plate-Control Box, RH	23	139-5811	2	Bolt-Pivot, Eccentric
4	119-3470	2	Actuator Arm ASM	24	117-1198	2	Bolt-Pivot
4:2	256-156	2	Bushing-Flange	25	120-7950	2	Screw-Torx
5	133-9299-05	2	Arm-Control	27	115-5099	2	Bolt-Pivot
6	139-5803	2	Eccentric	28	94-4496	1	Screw-PPH
7	138-7539	2	Spring-Torsion	29	32144-1	2	Screw-Taptite
8	133-7055	1	Handle-Control, LH	30	3229-11	4	Screw-CARR
8:1	121-0726	1	Grip	31	138-9753	10	Screw
9	133-7057	1	Handle-Control, RH	32	3234-42	4	Screw-HHF
9:1	121-0726	1	Grip	33	104-7201	4	Nut-HF, NI
10	138-2580	2	Rod-Hydro, Front	34	3296-42	6	Nut-Lock, NI
12	121-1753	2	Pin-Rod, Hydro	35	117-1240	2	Washer
13	138-9750	1	Speed Control ASM	36	119-4041	2	Nut-HF
14	138-7541	2	Plate-Retainer	37	104-8301	4	Nut-HF, NI
15	132-9368	1	Knob-RH	42		2	Rod Hydro ASM ●
16	132-9369	1	Knob-LH	42:1	144-1818	1	Rod-Hydro, Rear
17	132-6853	2	Damper-Non Cavitating	42:2	120-9683	1	Washer-Plain
18	138-7215	2	Stud-Damper	42:3	138-7252	1	Spring-Compression
19	93-6079	2	Spacer-Nylon	42:4	138-7218	1	Mount-Rod, Hydro
20	120-2273	2	Washer-Nylon	42:5	119-4041	1	Nut-HF
21	119-8925	2	Washer-Belleville				

● Not serviced separately

Engine Assembly



Engine Assembly (continued)

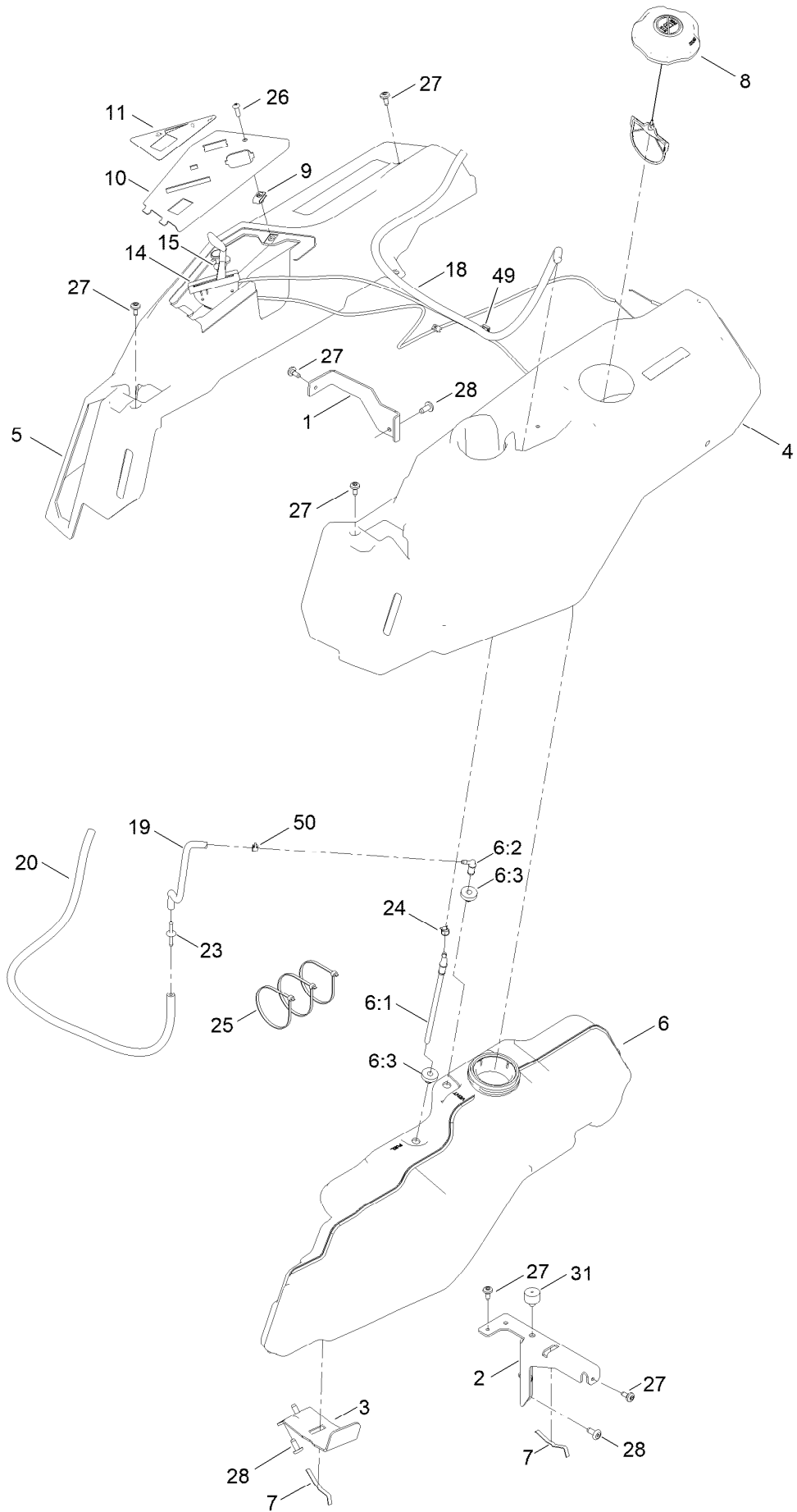
<i>Ref.</i>	<i>Part Number</i>	<i>Qty.</i>	<i>Description</i>	<i>Ref.</i>	<i>Part Number</i>	<i>Qty.</i>	<i>Description</i>
1		1	Engine-Kohler, Kt735 ■▲	7	117-1261	1	Hose-Drain, Oil
1:1	110-6697	2	Gasket-Exhaust ●	8	614249	1	Tie-Cable
1:3	281-2	1	Plug-Pipe, SQH ●	10	33004-00	4	Nut-HF
2	147-5194	1	Muffler	13	147-5195-03	1	Shield-Heat
5	32144-109	4	Screw-Thd	14	120-9678	2	Screw-HHF
6	3256-24	3	Washer-Flat	15	119-4040	2	Nut-HF, NI

● Not illustrated

▲ Obtain parts from www.kohlerplus.com

■ Not serviced separately

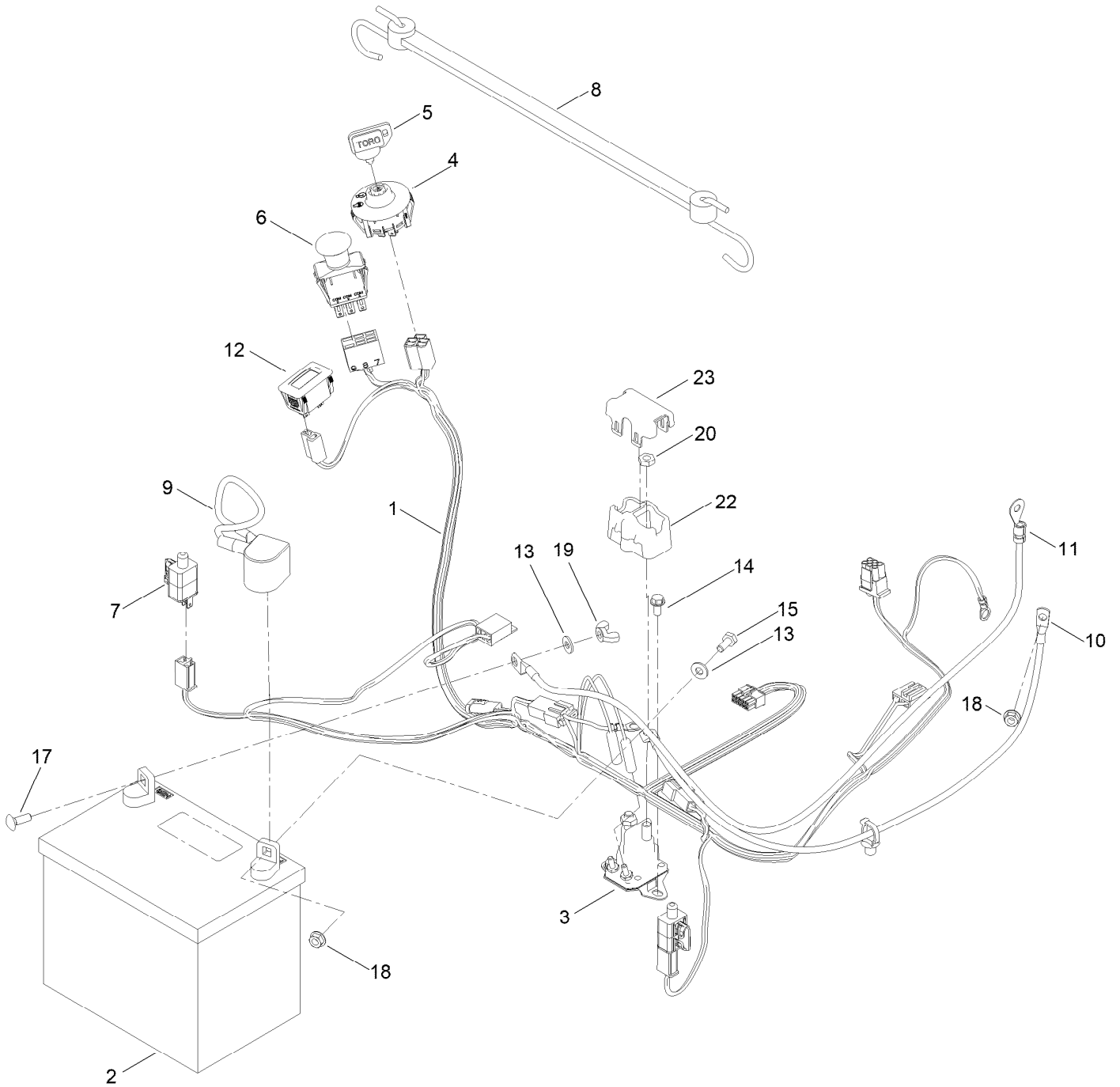
Fuel and Body Styling Assembly



Fuel and Body Styling Assembly (continued)

<i>Ref.</i>	<i>Part Number</i>	<i>Qty.</i>	<i>Description</i>	<i>Ref.</i>	<i>Part Number</i>	<i>Qty.</i>	<i>Description</i>
1	138-9810-03	1	Bracket-Pod	15	139-2402	1	Cable-Choke
2	138-6071-03	1	Support-Pod, LH	18	109-0307	1	Hose-Fuel
3	139-3271-03	1	Support-Tank, Fuel	19	136-6345	1	Hose-Fuel
4	138-6074	1	Pod-LH	20	119-6074	1	Hose-Fuel
5	139-2404	1	Pod-RH, Myride	23	144-1983	1	Adapter Orifice
6	144-5304	1	Tank-Fuel ASM	24	2412-98	2	Clamp-Hose
6:1	139-1091	1	Connector-Elbow, 90 DEG	25	3290-379	3	Tie-Cable
6:2	144-5302	1	Fitting-Elbow 90	25	614249	1	Tie-Cable
6:3	46-6560	2	Bushing	26	3258-166	1	Screw-PRH
7	609830	2	Spring	27	120-7950	6	Screw-Torx
8	137-4119	1	Cap-Fuel, Ratcheting	28	138-9753	5	Screw
9	107069	1	Clip	31	120-7893	1	Bumper-Grommet
10	139-2380-03	1	Panel - Control	49	32180-418	1	Clip-Harness
11	140-2717	1	Decal-Panel Control	50	2412-80	1	Clamp-Hose
14	139-3267	1	Cable-Throttle				

Electrical Assembly

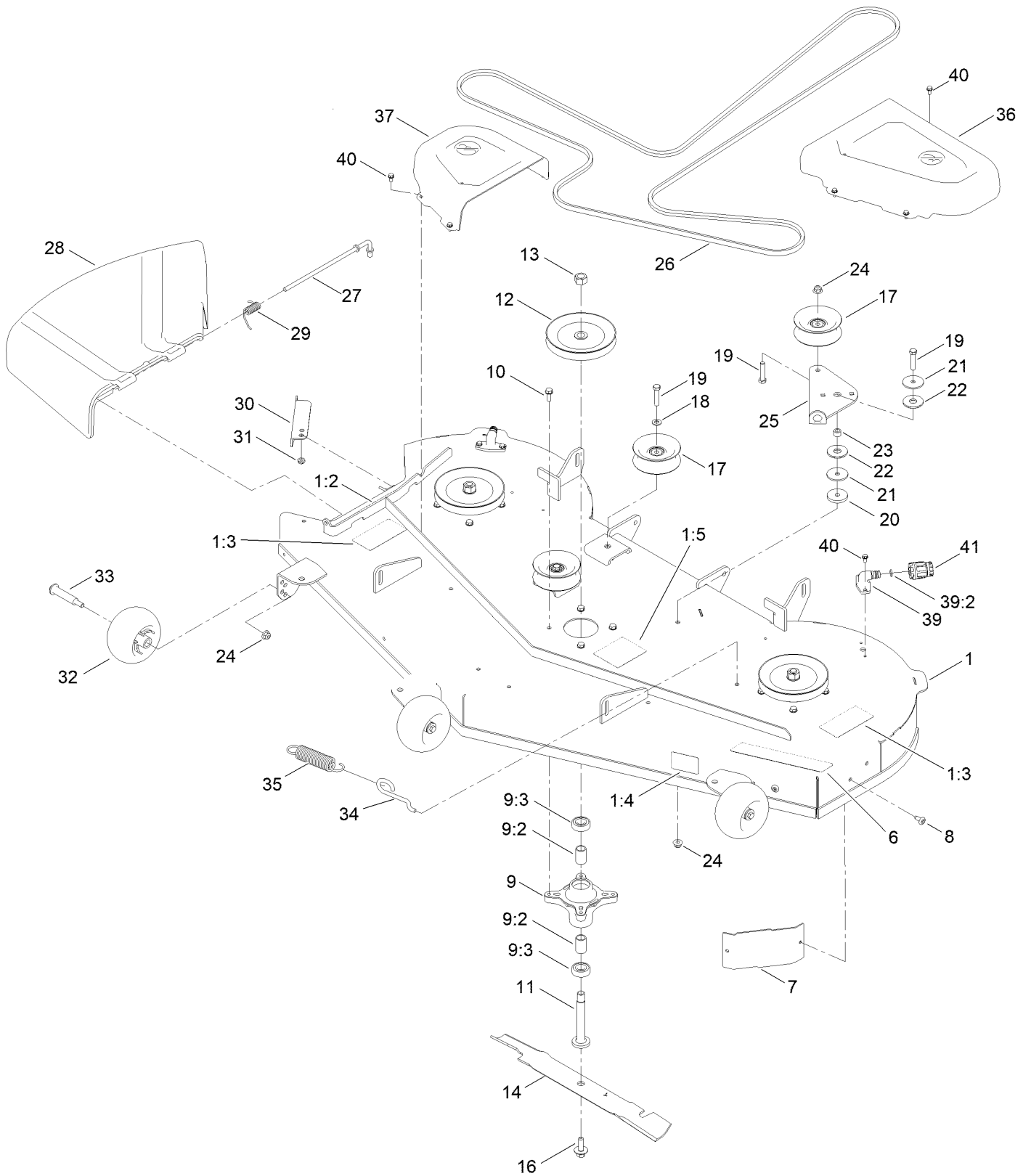


Electrical Assembly (continued)

<i>Ref.</i>	<i>Part Number</i>	<i>Qty.</i>	<i>Description</i>	<i>Ref.</i>	<i>Part Number</i>	<i>Qty.</i>	<i>Description</i>
1	138-2521	1	Harness-Wire	11	121-5726	1	Cable-Battery, Black
1:1	109355	1	Fuse-Blade, 15 Amp ●	12	120-2244	1	Hourmeter
1:2	109102	1	Fuse-Blade, 25 Amp ●	13	3256-22	2	Washer-Flat
2	105-1692	1	Battery, 230CCA W/O Electrolyte	14	32144-4	2	Screw-HWH
3	117-1197	1	Solenoid	15	321-3	1	Screw-HH
4	137-4100	1	Switch-Ignition	17	3229-1	1	Screw-CARR
5	63-8360	1	Key-Ignition	18	32128-33	2	Nut-HF
6	103-5221	1	Switch-PTO	19	32103-22	1	Nut-Wing
7	110-6765	2	Switch	20	3220-2	2	Nut-Jam
8	139-2381	1	Strap-Rubber	22	140-2080	1	Cover-Solenoid
9	140-2713	1	Cable-Battery, Pos	23	140-2081	1	Cap-Solenoid
10	139-2431	1	Cable-Battery, Red (8 Gauge)				

● Not illustrated

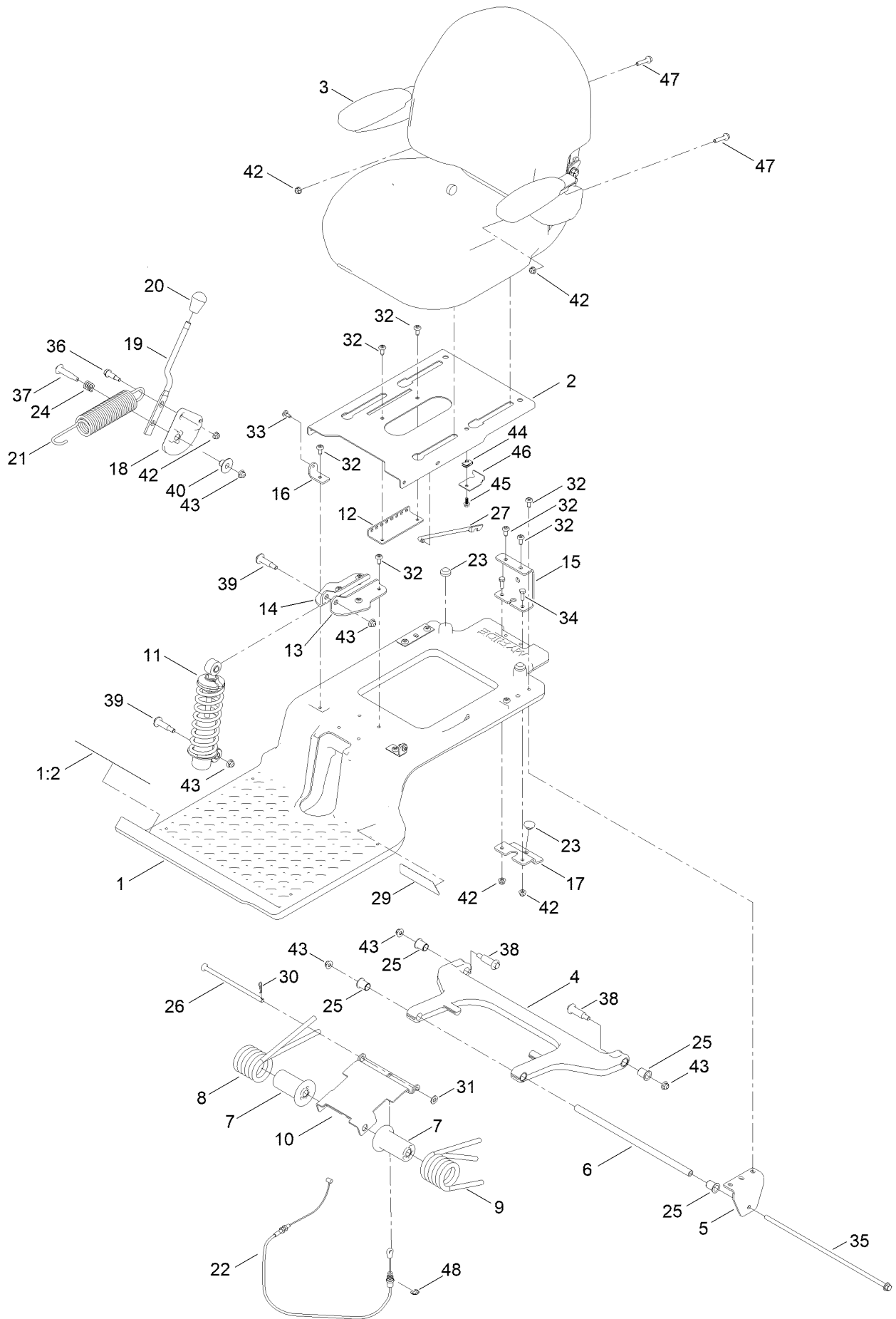
60in Deck and Decal Assembly



60in Deck and Decal Assembly (continued)

<i>Ref.</i>	<i>Part Number</i>	<i>Qty.</i>	<i>Description</i>	<i>Ref.</i>	<i>Part Number</i>	<i>Qty.</i>	<i>Description</i>
1	147-5151	1	60In Deck And Decal ASM	21	63-7400	2	Washer-Rebound
1:2	147-3023	1	Decal-Danger Deflector [blk-Txt]	22	114-0463	2	Washer-Friction, Composite
1:3	147-5152	2	Decal-Danger, Deck	23	115-4986	1	Spacer
1:4	147-3024	1	Decal-Scalp, Anti	24	104-8301	5	Nut-HF, NI
1:5	147-3025	1	Decal-Routing, Belt	25	138-7262	1	Arm-Idler
6	147-3026	1	Decal - Deck [blk-Txt]	26	109-3661	1	Belt
7	139-2448-03	1	Baffle-Corner	27	137-2019	1	Rod-Pivot
8	138-9753	2	Screw	28	138-7502	1	Deflector-Discharge
9	139-3214	3	Spindle ASM	29	138-7268	1	Spring-Torsion
9:2	120-7935	2	Spacer	30	138-9800-03	1	Baffle-Cutoff
9:3	138-9770	2	Bearing-Ball	31	3296-59	1	Nut-Lock, NI
10	32144-41	12	Screw-Taptite	32	1-603299	3	Roller-Scalp, Anti
11	117-7268	3	Shaft-Spindle	33	112-3977	3	Bolt-Shoulder
12	133-1199	3	Pulley	34	138-7266	1	Spring-Return, Hook
13	3219-6	3	Nut-Hex	35	138-7264	1	Spring-Extension
14	115-9649-03	3	Blade-Hi Flow	36	133-9282	1	Cover-Belt, LH
16	145-0411	3	Bolt-Blade, Sems	37	133-9283	1	Cover-Belt, RH
17	132-9420	3	Pulley-Idler, Flat	39	133-9289	2	Fitting-Washout
18	3256-24	2	Washer-Flat	39:2	133-9290	1	O-Ring
19	323-9	4	Screw-HH	40	32144-4	12	Screw-HWH
20	110-9981	1	Washer-Plain	41	95-3270	1	Connector-Hose

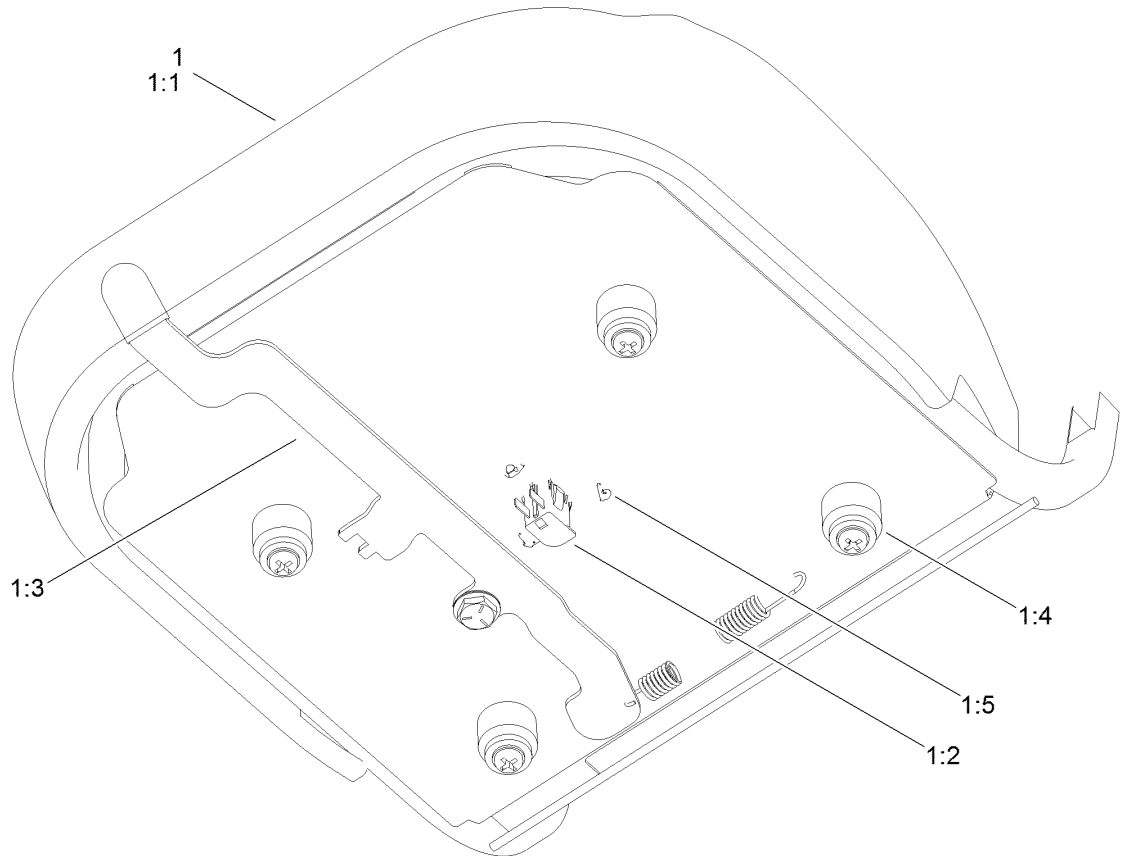
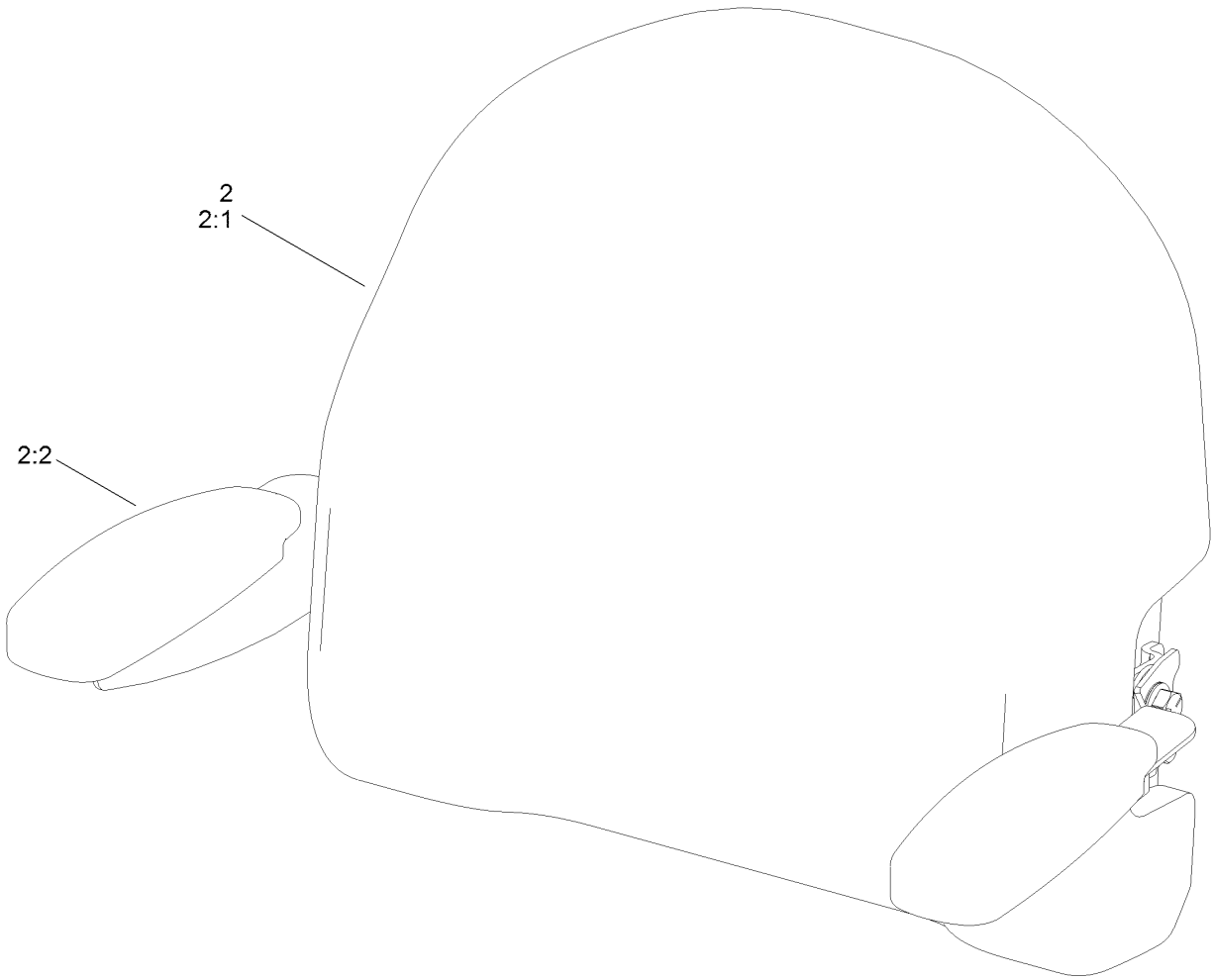
Seat Pan Assembly



Seat Pan Assembly (continued)

<i>Ref.</i>	<i>Part Number</i>	<i>Qty.</i>	<i>Description</i>	<i>Ref.</i>	<i>Part Number</i>	<i>Qty.</i>	<i>Description</i>
1	147-5150	1	Subframe ASM	23	135-0505	3	Bumper-Seat
1:2	132-0869	1	Decal-Danger	24	139-5858	1	Spring-Compression
2	138-7540-03	1	Pan-Seat	25	138-2573	4	Bushing-Flange
3	140-8303	1	Seat ASM	26	138-9813	1	Rod-Adjustment
4	138-2563	1	Arm, Swing	27	138-2596	1	Rod-Prop, Seat
5	138-7517	2	Bracket-Mount, Swing Arm	29	140-0357	1	Decal-Myride
6	138-7549	1	Tube-Spacer	30	1-806003	1	Pin-Cotter
7	138-9776	2	Retainer-Spring	31	3256-24	1	Washer-Flat
8	137-7018	1	Spring-Torsion, RH	32	138-9753	14	Screw
9	137-1983	1	Spring-Torsion, LH	33	120-7950	2	Screw-Torx
10	138-7566-03	1	Plate-Adjuster	34	322-4	2	Screw-HH
11	139-2427	1	Shock/Spring ASM	35	138-7548	1	Screw-HHF
12	131-4008-03	1	Bracket-Latch, Seat	36	140-3759	1	Bolt-Shoulder,HHF
13	133-9318-03	1	Bracket-Shock Mount, Upper (LH)	37	92-1057	1	Bolt-Shoulder
14	133-9319-03	1	Bracket-Shock Mount, Upper (RH)	38	138-2547	2	Bolt-Shoulder
15	138-9788	1	Bracket-Cable	39	136-7198	2	Bolt-Shoulder
16	138-7522	2	Bracket-Seat	40	139-5800	1	Bushing - Flange
17	139-2361-03	1	Bracket Lower	42	104-8300	5	Nut-HF, NI
18	138-9814	1	Pulley - Cam	43	119-4042	6	Nut-HF, NI
19	138-9822	1	Lever - Adjustment	44	107069	1	Clip
20	140-5176	1	Knob-Mr	45	99-6810	1	Screw-HHF
21	138-9848	1	Spring-Extension	46	138-7214	1	Bracket-Stop, Seat
22	138-9812	1	Cable-Adjustment, Myride	47	140-5024	2	Screw-HHF
				48	32120-47	1	Ring-Retaining, External

Seat Assembly No. 140-8303

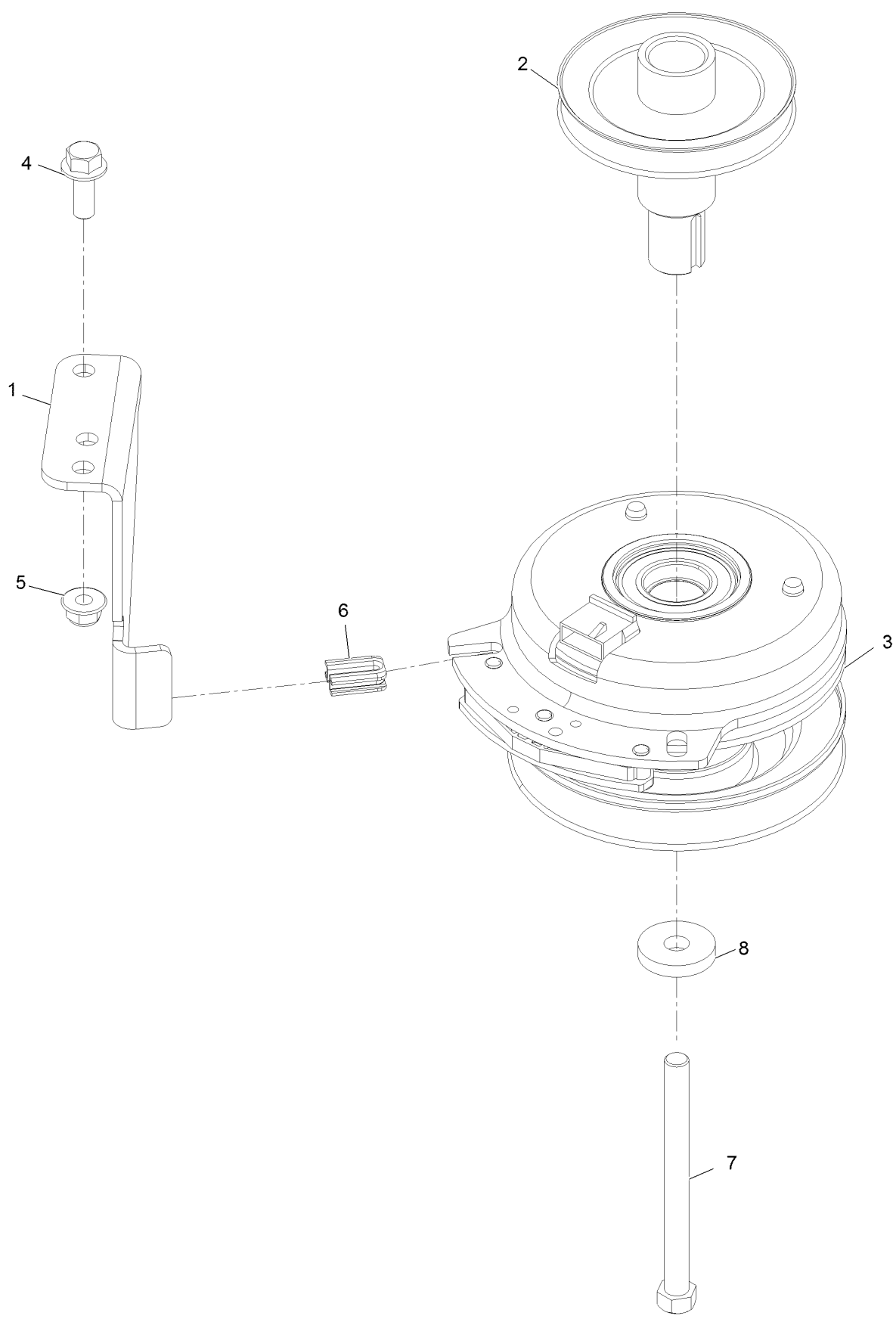


Seat Assembly No. 140-8303 (continued)

<i>Ref.</i>	<i>Part Number</i>	<i>Qty.</i>	<i>Description</i>
1	140-8323	1	Seat ASM - Bottom
1:1	140-5042	1	Cover-Seat Base
1:2	82-2190	1	Switch-Bail
1:3	131-4153	1	Track ASM
1:4	131-4154	1	Bushing ASM

<i>Ref.</i>	<i>Part Number</i>	<i>Qty.</i>	<i>Description</i>
1:5	140-3468	1	Cap-Switch, Actuator
2	140-8324	1	Seat ASM -Back
2:1	140-5041	1	Cover-Seat Back
2:2	139-5823	1	Arm Rest Kit

Clutch Assembly



Clutch Assembly (continued)

<i>Ref.</i>	<i>Part Number</i>	<i>Qty.</i>	<i>Description</i>	<i>Ref.</i>	<i>Part Number</i>	<i>Qty.</i>	<i>Description</i>
1	137-7000	1	Stop-Clutch (Wide)	5	104-8301	1	Nut-HF, NI
2	138-9792	1	Pulley-Engine	6	120-2217	1	Isolator-Clutch
3	127-3410	1	Clutch-PTO	7	3212-19	1	Screw-HH
4	3234-42	1	Screw-HHF	8	112843	1	Washer

Attachments and Accessories

For 75763 TimeCutter 60in Riding Mower

Product Name	Model/Part
Twin Bagger, Timecutter 60 Inch	79413
60 Inch Recycler Kit.....	139-3290
60 Inch Bagging Enhancement Kit.....	140-3508
54/60 Inch Striping Kit.....	140-5161
Hourmeter Kit	116-5461
Front Weight Kit.....	140-2050
Assist Bar Kit	140-2052
Heavy Duty Spring Kit.....	140-2051
ROPS Kit	79485
Slope Sensor Kit.....	79486
LED Light Kit.....	140-2056
Sunshade Kit	140-2054
Jack Kit.....	127-6666
Floormat Kit	140-2061
Jack Mount Kit.....	140-2711
Fuel Stabilizer .05 oz	130-2393
Blade-Hi Flow, 20.5in	115-9649-03P
Toro Premium Fuel Treatment 12 Oz Bottle	131-6572
4-Cycle Fuel, Snow And Lawn 32oz Can	131-3823
Storage Cover	490-7516
Seat Cover w/Arm Rest	117-0097
Toro 4-Cycle SAE 30 Oil (32oz Bottle)	38903
10w30 4-Cycle Engine Oil (32oz Bottle).....	38280
Hydro Service Kit.....	144-5347
Flat Free Caster Wheel Kit.....	145-0489

Notes:

Notes:

Notes:



Count on it.