



Count on it.

Parts Catalog

**ProCore® 648s
Aerator**

Model No. 09960—Serial No. 40000000 and Up



Ordering Replacement Parts

To order replacement parts, please supply the part number, the quantity, and the description of each part desired.

Understanding Reference Numbers

Each identified part in an illustration has a reference number. The reference number for a part also appears in the parts list, along with other information about the part.

This catalog uses two special reference number formats, one to indicate parts in a service assembly and another to indicate the quantity of a given part in an illustration.

Service Assembly Reference Numbers

Parts in service assemblies have reference numbers in the form a:b. The a represents the reference number of the entire service assembly and the b represents a sequential number unique to each part within the service assembly.

For example, a wheel assembly might be identified by reference number 6, the tire by 6:1, the valve by 6:2, and the wheel by 6:3. When you order the assembly identified by reference number 6, you receive all parts identified by reference numbers 6:1, 6:2, and 6:3. However, you may also order any part individually. Reference numbers of this type appear in illustration and in parts lists.

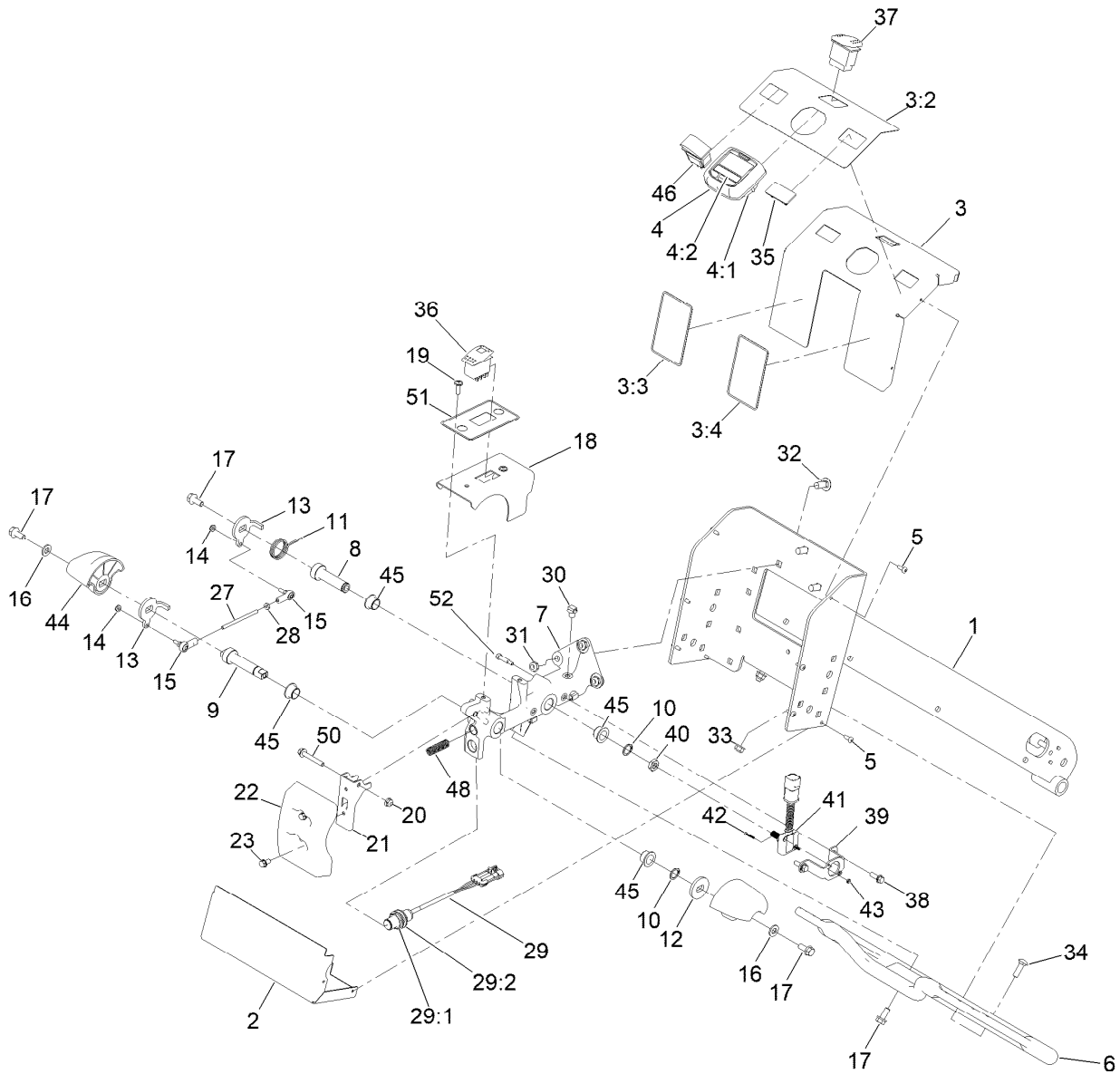
Reference Numbers Indicating Quantity

In an illustration, if a reference number indicates more than one part, the reference number has the form nX y. The n represents the quantity of the part, the X is the multiplication symbol, and the y represents the reference number.

For example, in an illustration, the reference number 2X 37 means that two of the parts identified by reference number 37 are indicated.

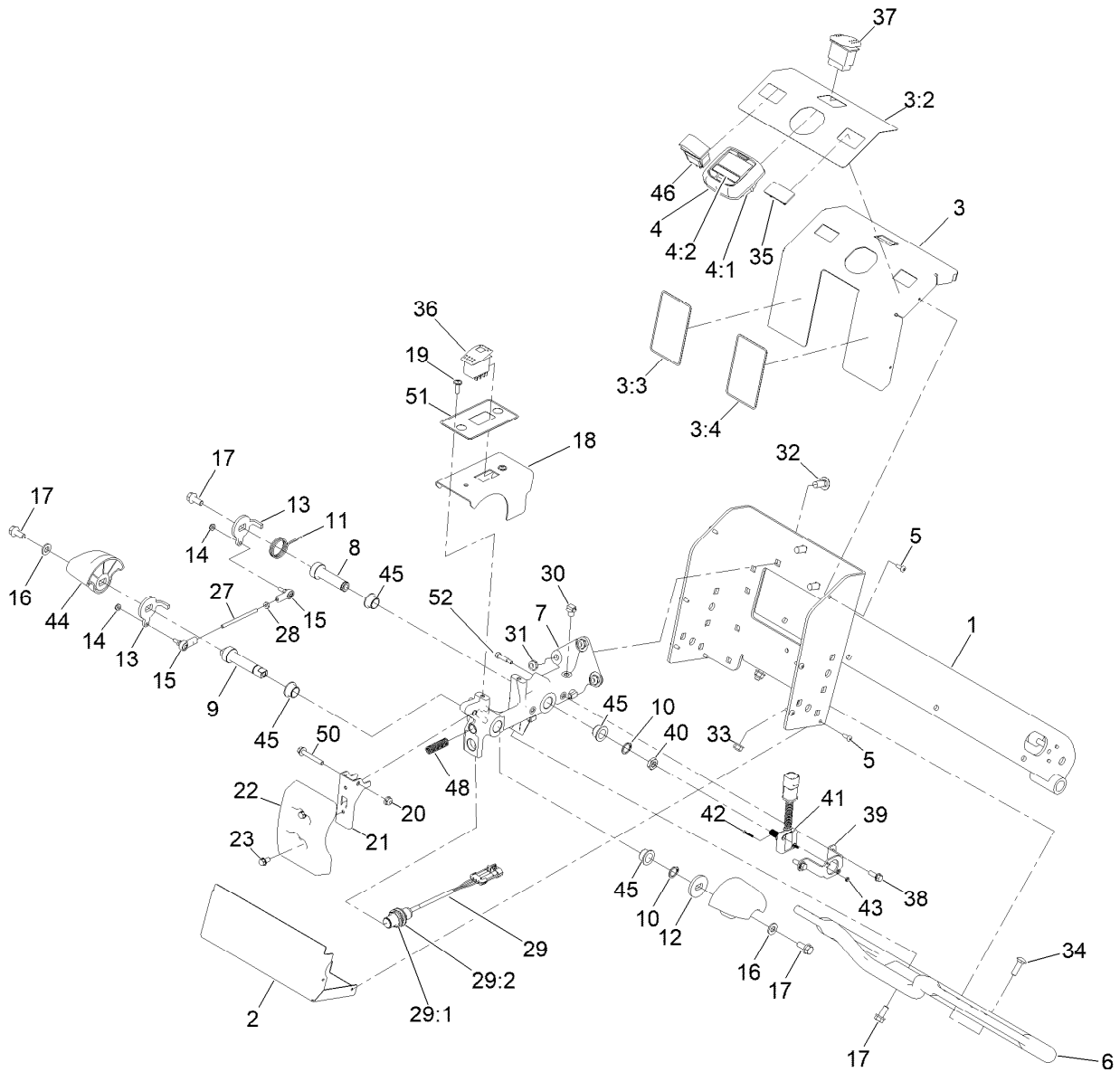
Contents

Control Assembly	4
Sensor Mounting Assembly	6
Column Pivot Assembly	7
Steering Spindle and Arm Assembly	8
Front Drive Assembly	9
(CCW) Hydraulic Motor Assembly No. 106-8808	10
Rear Hydraulic Drive Assembly	11
(CCW) Hydraulic Motor Assembly No. 106-8806	12
(CW) Hydraulic Motor Assembly No. 106-8807	13
Parking Brake Assembly	14
Lift Linkage Assembly	15
Hydraulic Assembly	16
Hydrostat Assembly No. 140-8564	18
Gear Pump Assembly No. 140-8836	19
Manifold Assembly No. 140-8614	20
Hydraulic Hose and Tube Assembly	21
Fuel System Assembly	22
Engine and Muffler Assembly	23
Idler, Pulley and Belt Assembly	24
Clutch Assembly	25
Hood Assembly	26
Electrical Assembly	27
Wire Harness Assembly No. 122-1868	29
Rear Frame and Hood Assembly	30
Belt Shield Assembly	31
Hydraulic Cylinder Assembly No. 140-2205	32
Turf Guard Mount Assembly	33
RH Crankarm Assembly	34
Center Crankarm Assembly	35
LH Crankarm Assembly	36
Damper Link Assembly	37
Attachments and Accessories	38



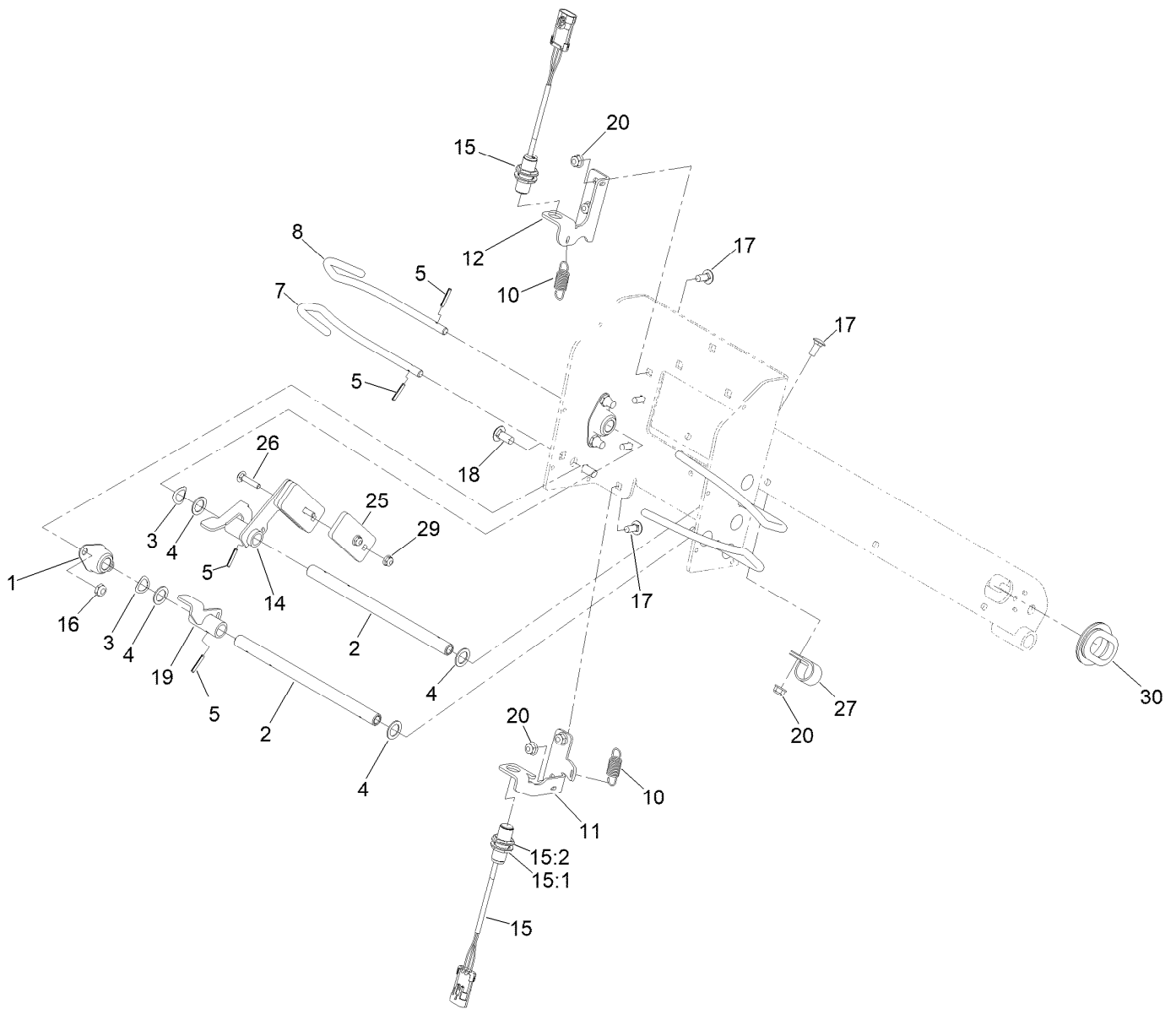
Control Assembly

Ref.	Part Number	Qty.	Description	Ref.	Part Number	Qty.	Description
1	140-8589-01	1	Control Handle ASM [red]	17	100-1668	4	Screw-HHF
2	144-9821-03	1	Cover-Controls, Lower	18	140-8631-03	1	Panel-Control
3	144-9840	1	Dash Panel Assembly	19	92-3911	2	Screw-Hsbfh
3:2	140-8810	1	Decal-Controls	20	104-7201	1	Nut-HF, NI
3:3	140-8811	1	Decal-Controls	21	140-8629	1	Paddle-Switch
3:4	140-8812	1	Decal-Controls	22	140-8632	1	Cover-Switch, Stop
4	120-6310	1	LCD Display ASM	23	137-4795	2	Screw
4:1	120-4630	1	Nut-Display	27	140-8764	1	Rod-Threaded
4:2	120-6311	1	Decal-Display	28	3219-14	1	Nut-Hex
5	105-6849	8	Screw-Forming, Thread	29	115-0282	1	Proximity Sensor ASM
6	140-8929	1	Handle	29:1	117-3207	2	Nut-Hex
7	140-8936	1	Hub-Controls	29:2	117-3208	2	Washer-Lock, Internal Tooth
8	140-8590	1	Shaft-Sensor	30	32180-030	3	Clip-Tie
9	140-8625	1	Shaft-Sensor	31	3296-59	3	Nut-Lock, NI
10	32151-62	2	Ring-Retaining	32	3231-27	3	Screw-CARR
11	139-8662	1	Spring-Torsion	33	104-8300	2	Nut-HF, NI
12	140-8941	1	Plate-Sensor	34	3230-22	2	Screw-CARR
13	140-8594	2	Plate-Sensor	35	99-7420	1	Plug-Hole
14	3296-27	2	Nut-Lock, NI	36	100-8490	1	Switch-Rocker, On-None-On
15	117-9720	2	Ball Joint	37	95-8999	1	Switch
16	3256-38	2	Washer-Flat				



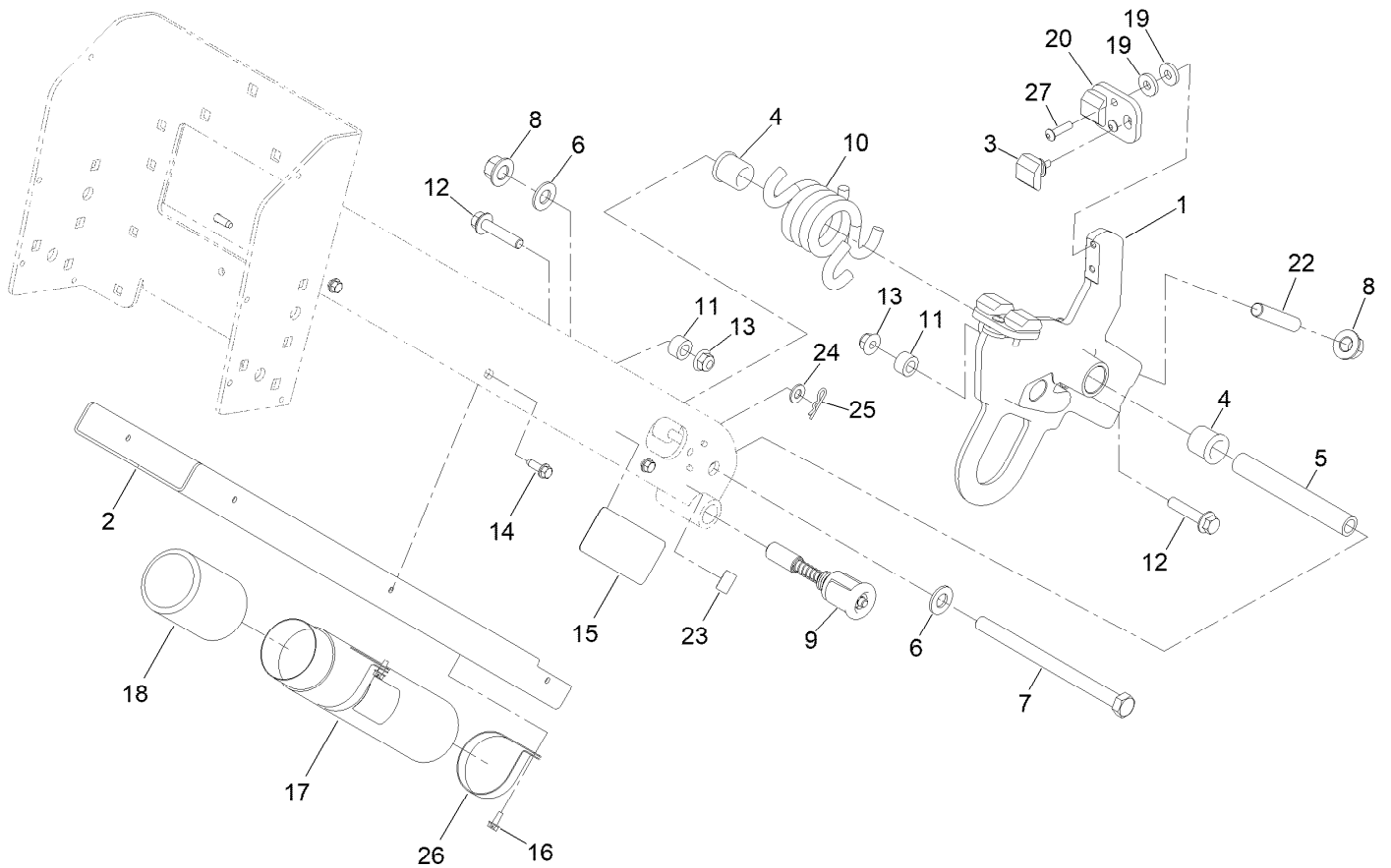
Control Assembly (continued)

<i>Ref.</i>	<i>Part Number</i>	<i>Qty.</i>	<i>Description</i>	<i>Ref.</i>	<i>Part Number</i>	<i>Qty.</i>	<i>Description</i>
38	117-8304	2	Screw-HHF	45	108-2973	4	Bushing-Flange
39	140-8776	1	Brkt-Sensor	46	119-8355	1	Switch-Rocker
40	112-8617	1	Nut-Hex	48	136-7136	1	Spring-Compression
41	138-6252	1	Sensor-Rotary	50	32105-18	1	Screw-HHF
42	140-8959	2	Screw-Fht	51	140-8813	1	Decal-Controls
43	3296-52	2	Nut-Lock, NI	52	130-9374	1	Screw-Shoulder
44	140-8949	2	Knob-Rotary				



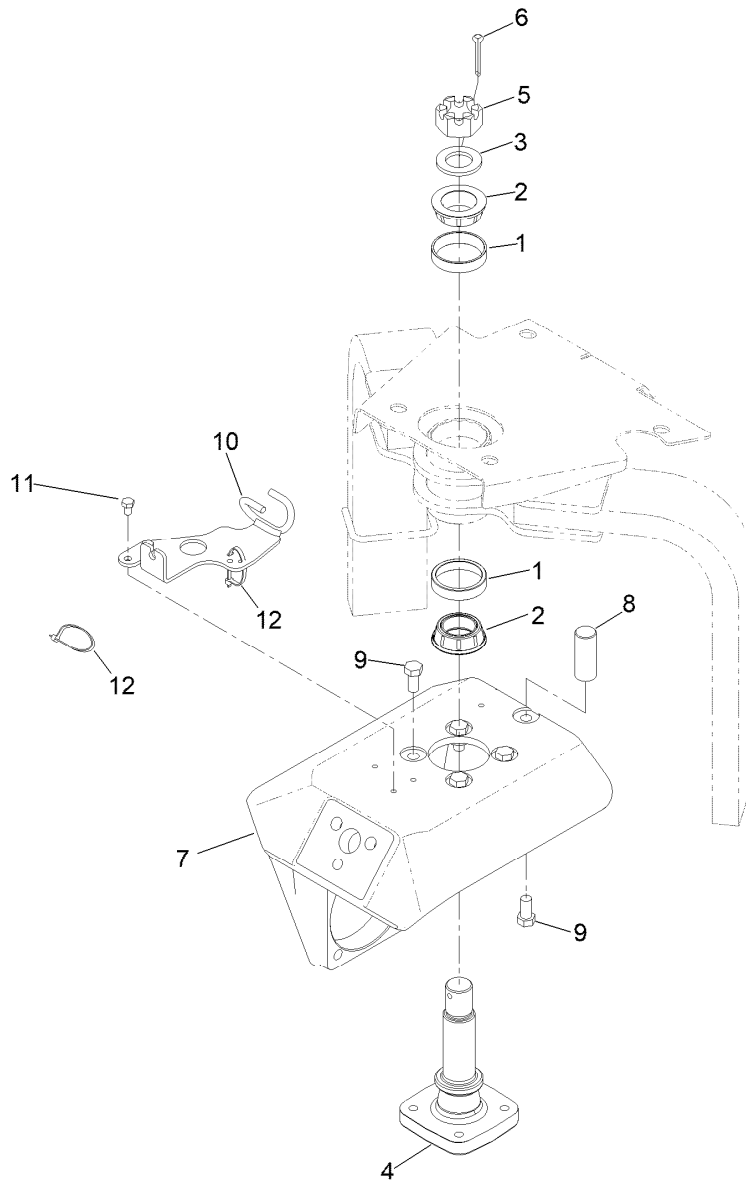
Sensor Mounting Assembly

<i>Ref.</i>	<i>Part Number</i>	<i>Qty.</i>	<i>Description</i>	<i>Ref.</i>	<i>Part Number</i>	<i>Qty.</i>	<i>Description</i>
1	256-236	4	Bearing-Mount, Flange	15:1	117-3207	2	Nut-Hex
2	140-8639	2	Tube-Bail	15:2	117-3208	2	Washer-Lock, Internal Tooth
3	108-2100	2	Washer-Spring, Curved	16	3296-59	8	Nut-Lock, NI
4	3256-69	4	Washer-Flat	17	3230-23	6	Bolt-CARR
5	32121-45	6	Pin-Spring	18	3231-27	8	Screw-CARR
7	144-9842	2	Bail-Aerator, 1	19	140-8920	1	Flag ASM
8	144-9844	2	Bail-Aerator, 2	20	104-8300	6	Nut-HF, NI
10	136-7153	2	Spring-Extension	25	140-8933	3	Plate-Weight
11	144-9822	1	Brkt-Sensor, Lower	26	3229-3	2	Screw-CARR
12	144-9823	1	Brkt-Sensor, Upper	27	2412-39	2	Clamp-R
14	140-8930	1	Flag ASM	29	104-7201	2	Nut-HF, NI
15	115-0282	2	Proximity Sensor ASM	30	240-2	1	Grommet-Rubber



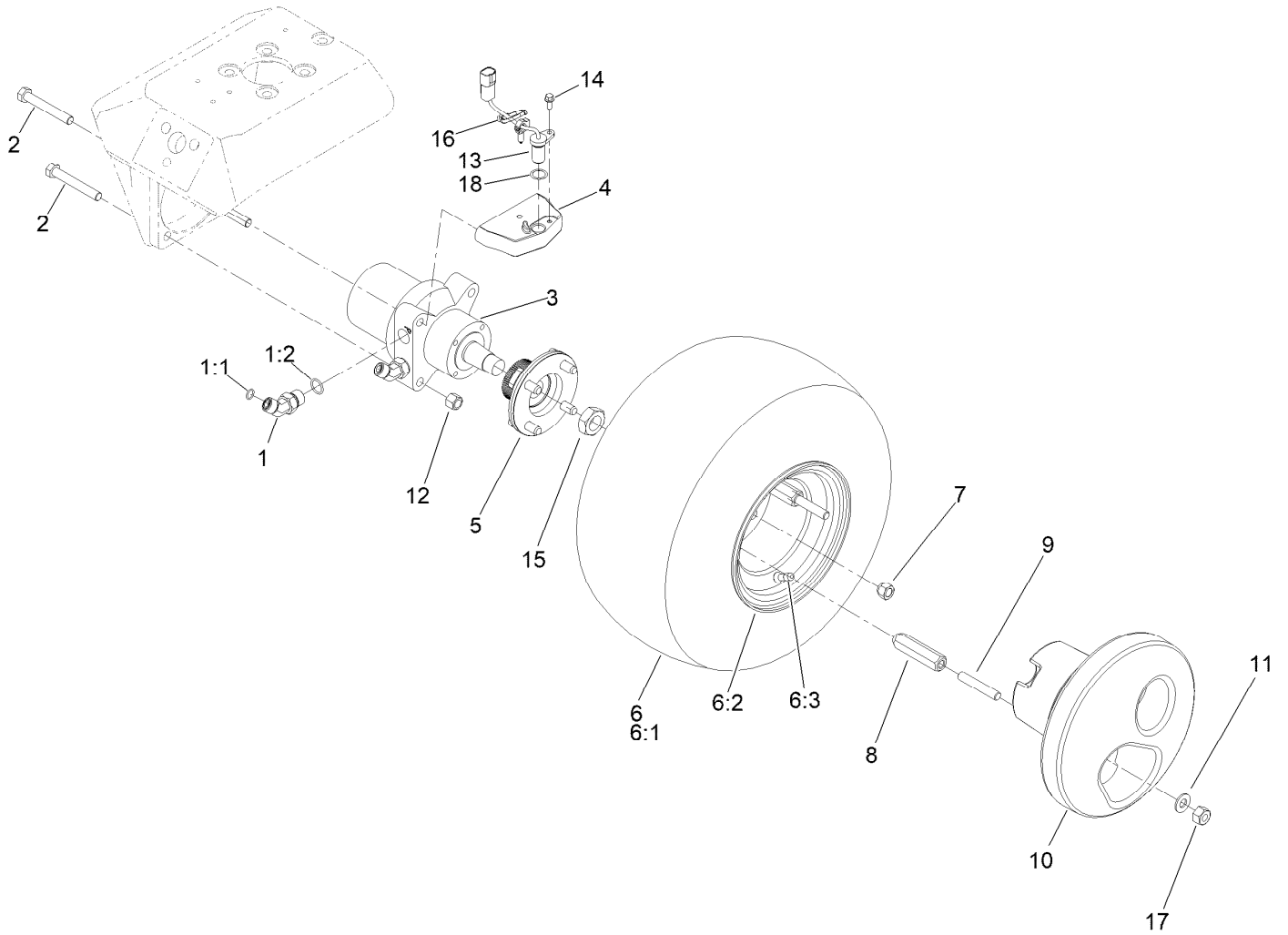
Column Pivot Assembly

<i>Ref.</i>	<i>Part Number</i>	<i>Qty.</i>	<i>Description</i>	<i>Ref.</i>	<i>Part Number</i>	<i>Qty.</i>	<i>Description</i>
1	140-8957	1	Pivot-Column	14	32144-44	6	Screw-HWH, Thread Roll
2	140-8751-03	1	Cover-Handle, Lower	15	140-8963	1	Decal-Parking Brake
3	126-9966	4	Bumper-ROPS	16	32104-60	2	Screw-HWH
4	117-0826	2	Bushing-Flange	17	104-7050	1	Tube-Manual
5	140-8549	1	Tube-Pivot	18	104-7048	1	Cap-Housing
6	3256-26	2	Washer-Flat	19	88-7200	8	Washer-Flat
7	325-37	1	Screw-HH	20	140-8955	2	Plate-Stop
8	99-5107	4	Nut-Lock	22	144-9825	3	Stud
9	116-0104	1	Pin-Spring	23	93-9084	1	Decal-Point, Lift
10	140-8768	1	Spring-Torsion	24	3256-23	1	Washer-Plain
11	140-8770	2	Spacer	25	3290-307	1	Pin-Cotter
12	3234-19	2	Screw-HHF	26	2412-120	2	Clamp-R
13	104-8301	2	Nut-HF, NI	27	3274-65	4	Screw-HSBH



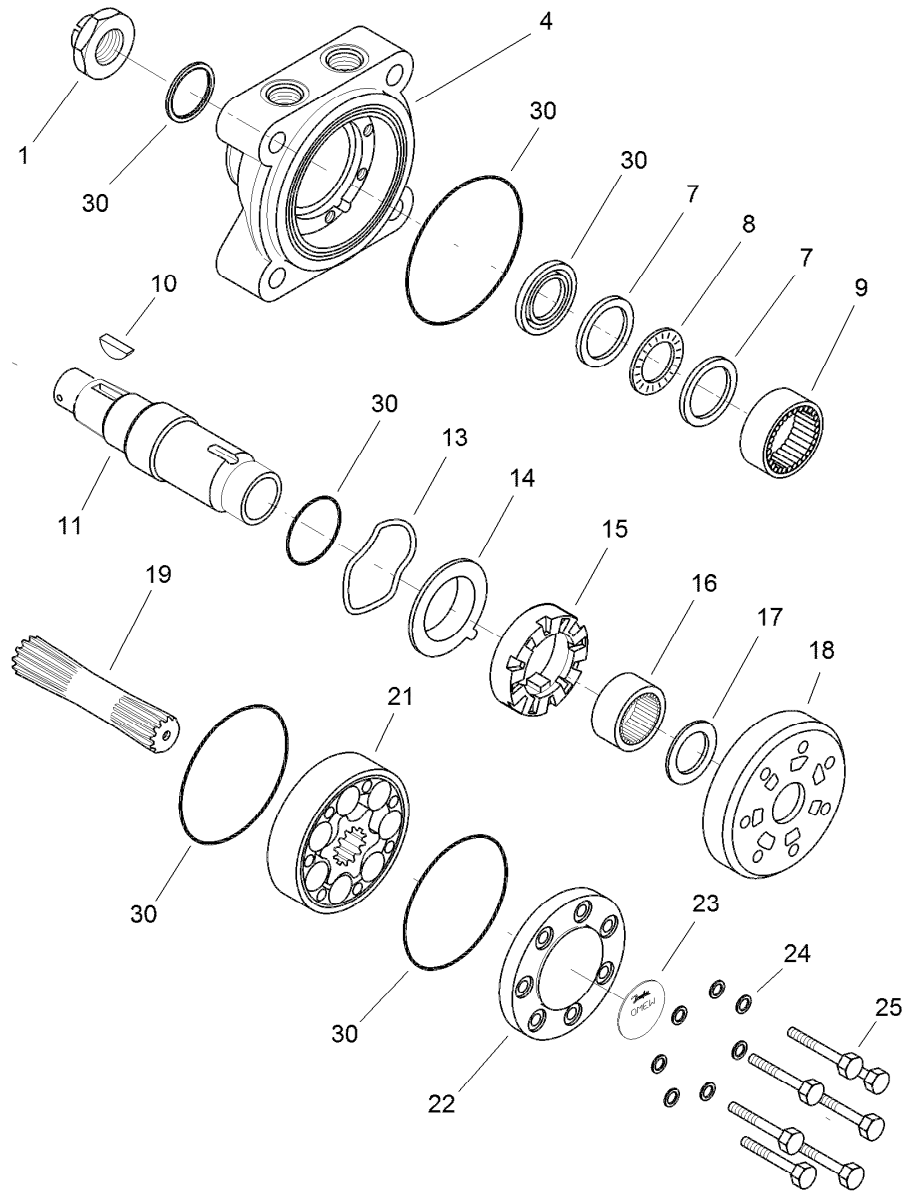
Steering Spindle and Arm Assembly

<i>Ref.</i>	<i>Part Number</i>	<i>Qty.</i>	<i>Description</i>
1	107-7590	2	Cup-Bearing
2	107-7589	2	Cone-Bearing (W/ Seal)
3	107-7597	1	Washer-Plain
4	107-7595-0P	1	Spindle-Steer
5	32136-9	1	Nut-Hex, Slotted
6	3272-37	1	Pin-Cotter
7	144-9881-01	1	Arm-Steering
8	106-8939	1	Stop-Steering
9	325-4	5	Screw-HH
10	139-8664	1	Guide ASM
11	322-1	2	Screw-HH
12	3290-378	2	Tie-Cable



Front Drive Assembly

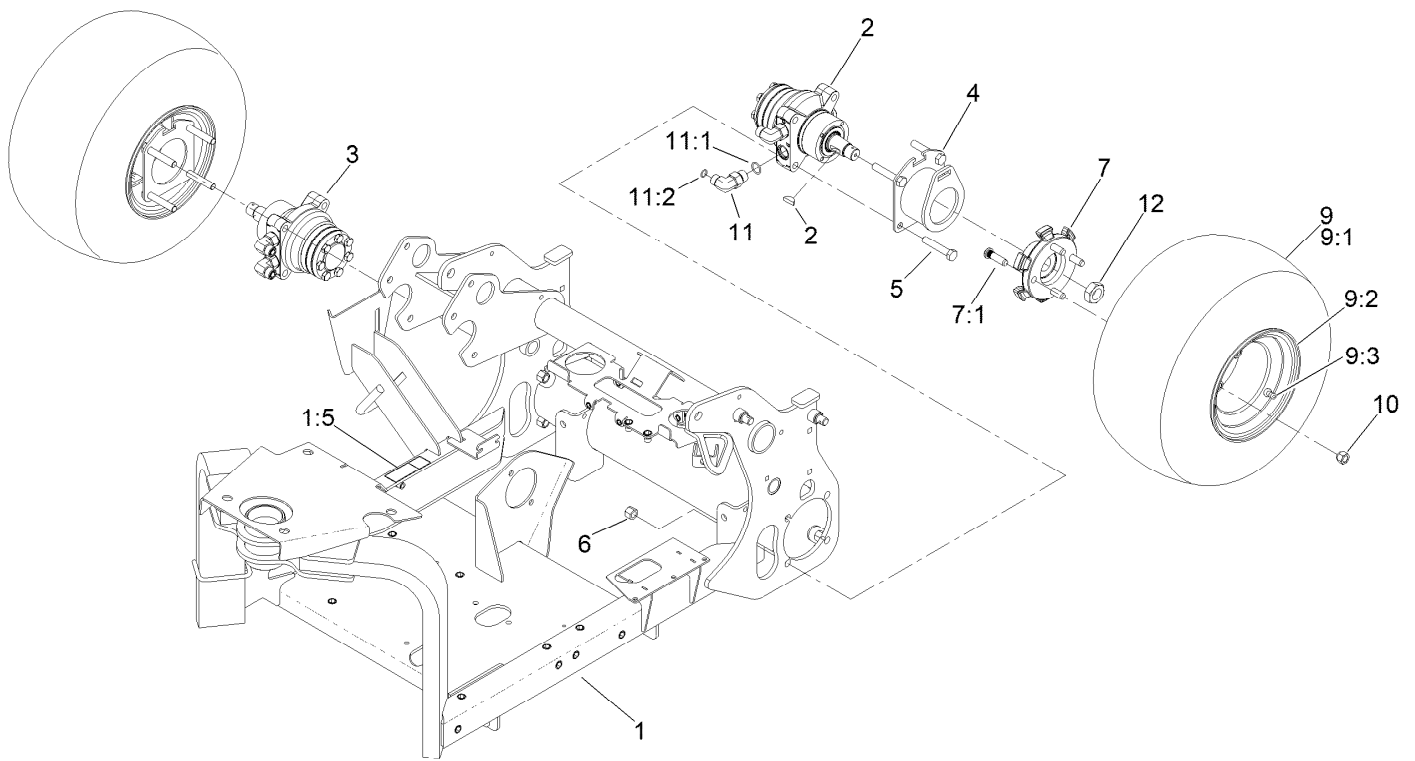
<i>Ref.</i>	<i>Part Number</i>	<i>Qty.</i>	<i>Description</i>	<i>Ref.</i>	<i>Part Number</i>	<i>Qty.</i>	<i>Description</i>
1	340-89	2	Fitting-HYD, 45 DEG	8	107-3399	2	Adapter-Weight, Wheel
1:1	237-30	1	O-Ring	9	105-1088	2	Stud
1:2	237-80	1	O-Ring	10	107-3396-03	1	Weight-Wheel
2	325-13	4	Screw-HH	11	87-7270	2	Washer-Thrust
3	106-8808	1	HYD Motor ASM	12	3296-23	2	Nut-Lock, NI
4	144-9879	1	Bracket-Sensor	13	144-9802	1	Sensor-Speed
5	144-9813	1	Hub -Wheel	14	3234-33	1	Screw-HHF
6	114-4665	1	Tire ASM	15	26-3790	1	Nut-Lock
6:1	70-8500	1	Tire-Smooth, 4-Ply	16	32180-030	1	Clip-Tie
6:2	114-4643	1	Wheel	17	3296-25	2	Nut-Lock, NI
6:3	232-27	1	Stem-Valve	18	139-8694	1	Shim
7	242-50	2	Nut-Lug				



(CCW) Hydraulic Motor Assembly No. 106-8808

Ref.	Part Number	Qty.	Description	Ref.	Part Number	Qty.	Description
1		1	Nut-Castellated ●	16		1	Bearing-Needle, Radial ●
4		1	Housing ●	17		1	Race-Bearing ●
7		2	Race-Bearing ●	18		1	Plate-Distributor ●
8		1	Bearing-Needle, Axial ●	19		1	Shaft-Cardan ●
9		1	Bearing-Needle, Radial ●	21		1	Gearwheel Set ●
10	3257-42	1	Key-Woodruff	22		1	Cover-End ●
11		1	Shaft-Tapered ●	23		1	Plate-Name ●
13		1	Washer-Spring ●	24		7	Washer ●
14		1	Plate-Balance ●	25		7	Screw ●
15		1	Disc-Valve ●	30	109-5966	1	Wheel Motor Seal Kit

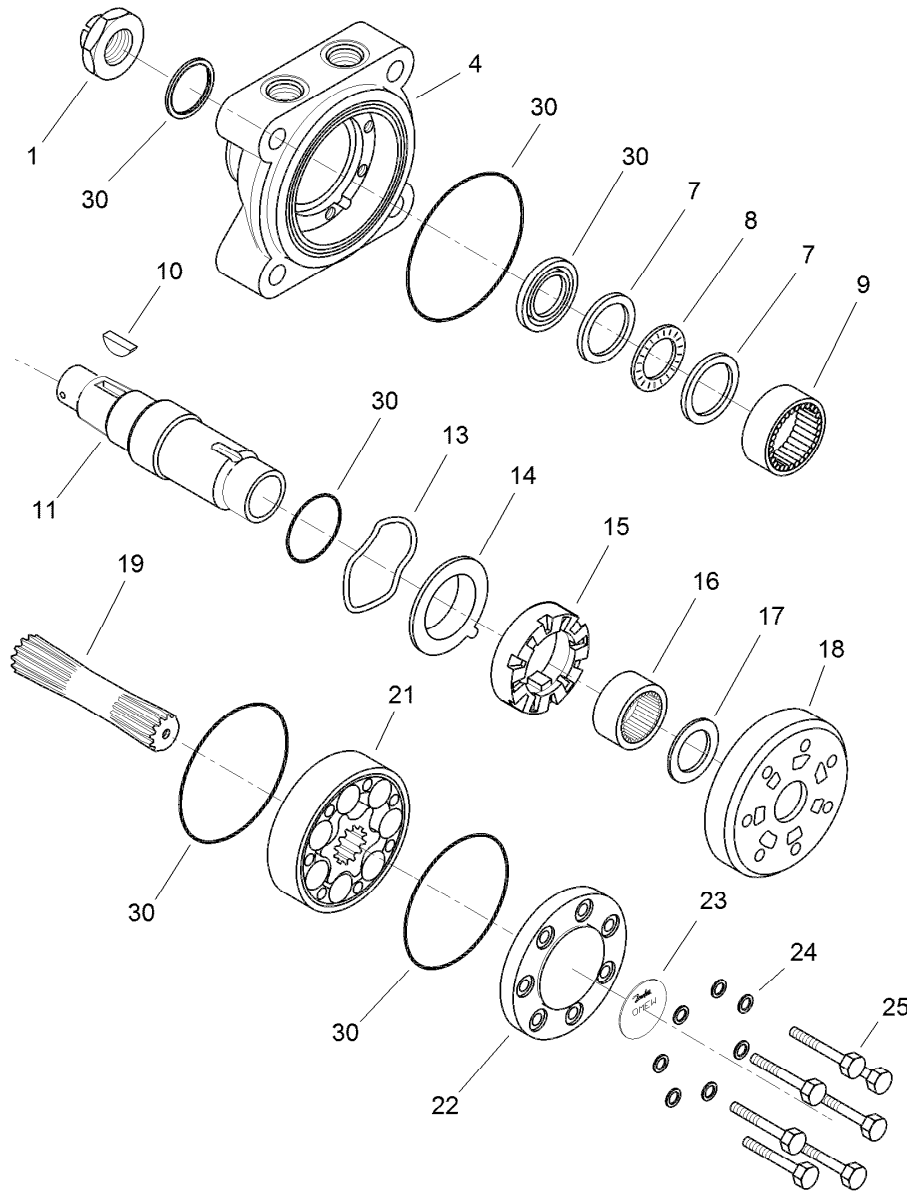
● Not serviced separately



Rear Hydraulic Drive Assembly

Ref.	Part Number	Qty.	Description
1	137-6690	1	Front Frame ASM
1:5	117-4979	1	Decal-Warning
2	106-8806	1	HYD Motor ASM
3	106-8807	1	HYD Motor ASM
4	140-6269	2	Parking Latch Supt
5	325-11	8	Screw-HH
6	3296-23	8	Nut-Lock, NI
7	140-6277	2	Wheel Hub ASM
7:1	10-6830	4	Stud-Type, Drive

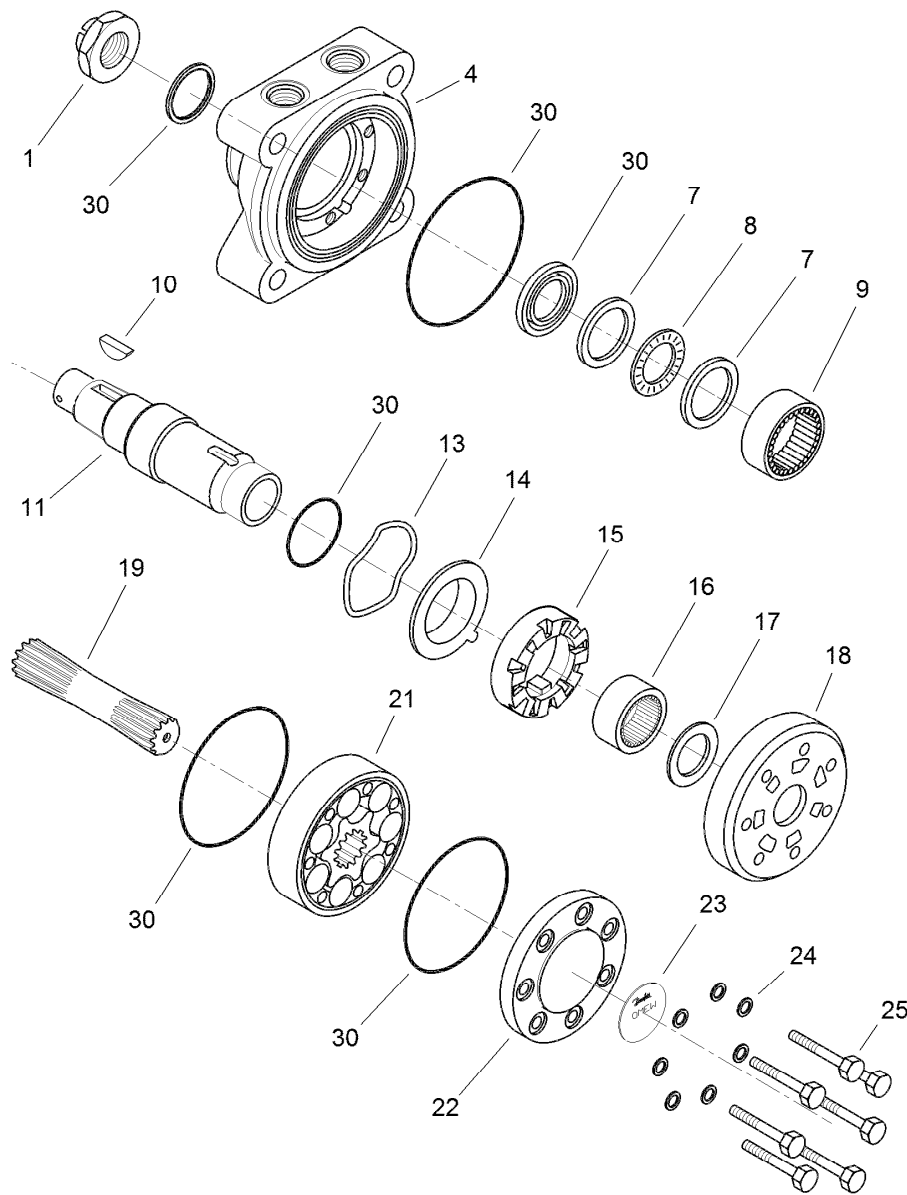
Ref.	Part Number	Qty.	Description
9	114-4665	2	Tire ASM
9:1	70-8500	1	Tire-Smooth, 4-Ply
9:2	114-4643	1	Wheel
9:3	232-27	1	Stem-Valve
10	242-50	8	Nut-Lug
11	340-105	4	Fitting-Elbow, 90 DEG
11:1	237-80	1	O-Ring
11:2	237-30	1	O-Ring
12	26-3790	2	Nut-Lock



(CCW) Hydraulic Motor Assembly No. 106-8806

Ref.	Part Number	Qty.	Description	Ref.	Part Number	Qty.	Description
1		1	Nut-Castellated ●	16		1	Bearing-Needle, Radial ●
4		1	Housing ●	17		1	Race-Bearing ●
7		2	Race-Bearing ●	18		1	Plate-Distributor ●
8		1	Bearing-Needle, Axial ●	19		1	Shaft-Cardan ●
9		1	Bearing-Needle, Radial ●	21		1	Gearwheel Set ●
10	3257-42	1	Key-Woodruff	22		1	Cover-End ●
11		1	Shaft-Tapered ●	23		1	Plate-Name ●
13		1	Washer-Spring ●	24		7	Washer ●
14		1	Plate-Balance ●	25		7	Screw ●
15		1	Disc-Valve ●	30	109-5966	1	Wheel Motor Seal Kit

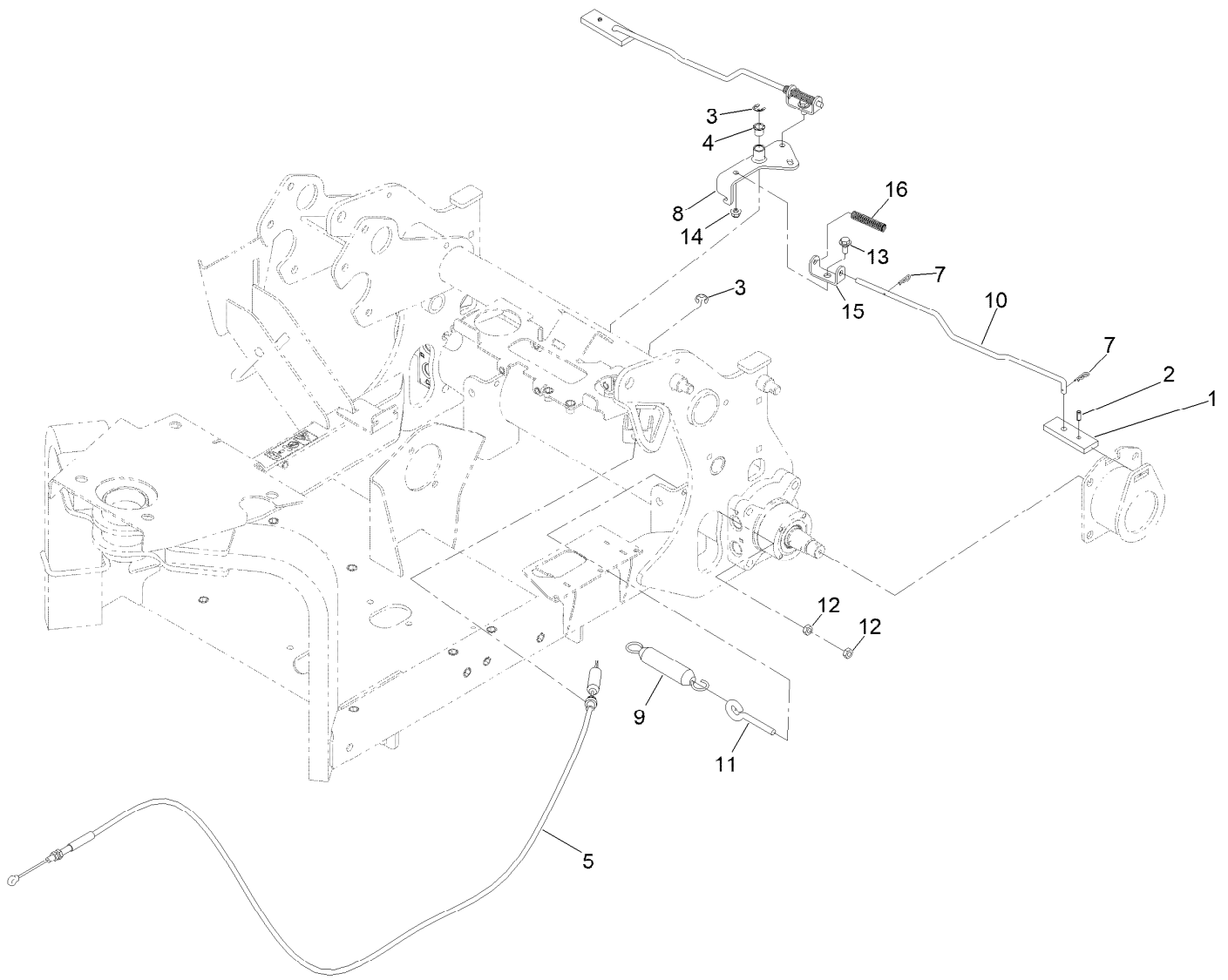
● Not serviced separately



(CW) Hydraulic Motor Assembly No. 106-8807

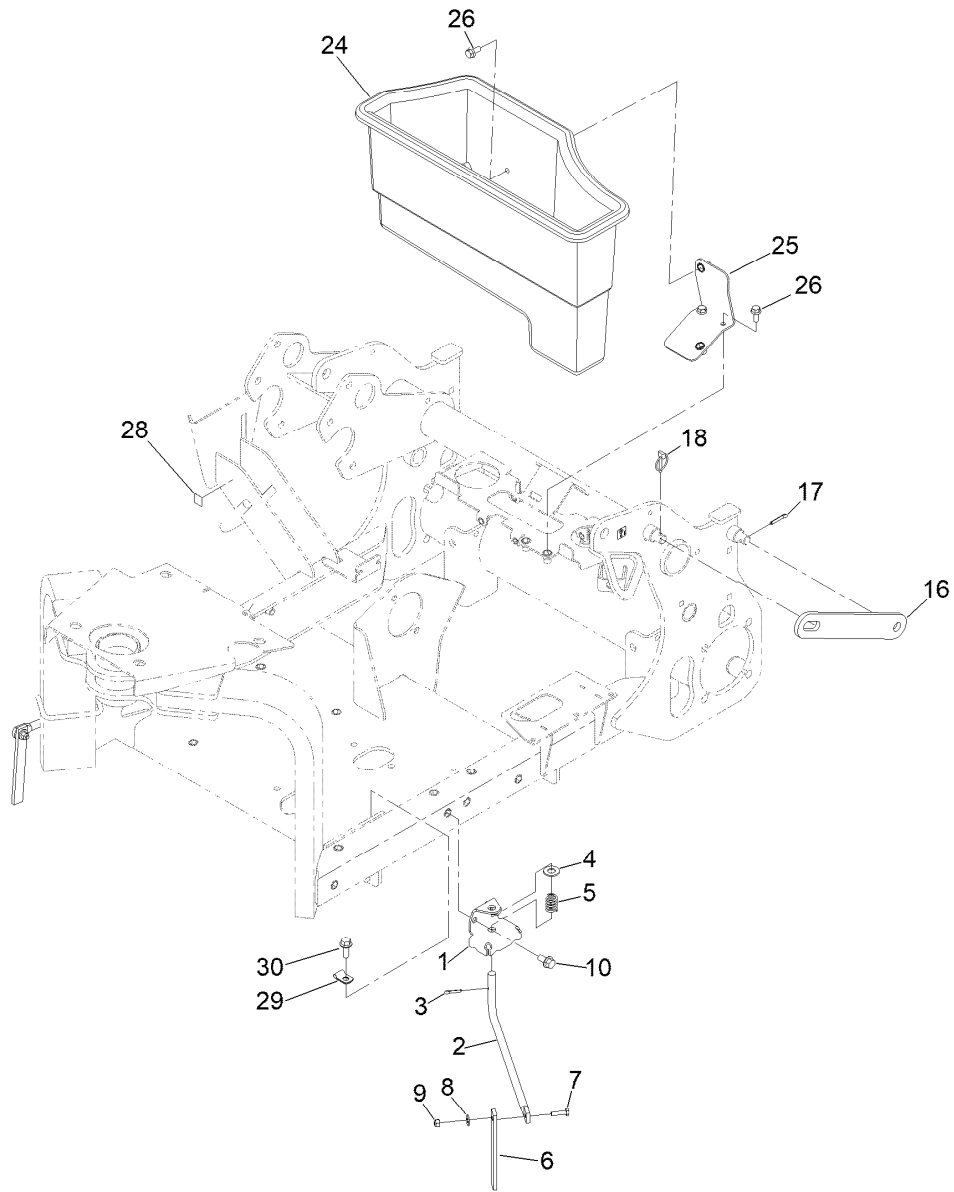
Ref.	Part Number	Qty.	Description	Ref.	Part Number	Qty.	Description
1		1	Nut-Castellated ●	16		1	Bearing-Needle, Radial ●
4		1	Housing ●	17		1	Race-Bearing ●
7		2	Race-Bearing ●	18		1	Plate-Distributor ●
8		1	Bearing-Needle, Axial ●	19		1	Shaft-Cardan ●
9		1	Bearing-Needle, Radial ●	21		1	Gearwheel Set ●
10	3257-42	1	Key-Woodruff	22		1	Cover-End ●
11		1	Shaft-Tapered ●	23		1	Plate-Name ●
13		1	Washer-Spring ●	24		7	Washer ●
14		1	Plate-Balance ●	25		7	Screw ●
15		1	Disc-Valve ●	30	109-5966	1	Wheel Motor Seal Kit

● Not serviced separately



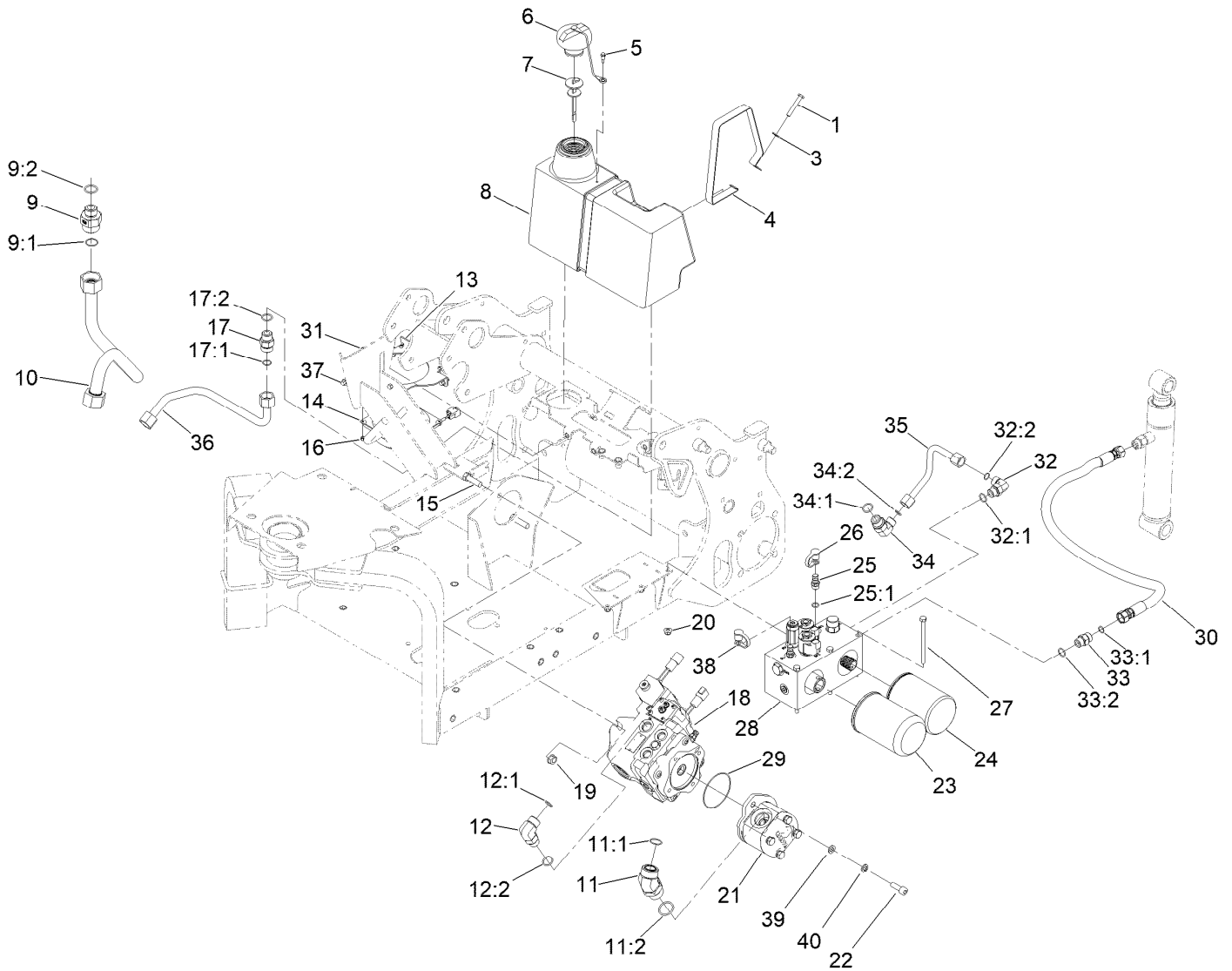
Parking Brake Assembly

Ref.	Part Number	Qty.	Description
1	106-8885-03	2	Bar-Latch, Parking
2	32121-134	2	Pin-Roll
3	32120-47	2	Ring-Retaining, External
4	256-257	2	Bushing-Nyliner
5	140-8978	1	Cable-Brake
7	3290-307	4	Pin-Cotter
8	140-8586	1	Pivot Latch ASM
9	66-4270	1	Spring-Extension
10	140-8743	2	Link-Latch, Parking
11	94-2547	1	Bolt-Eye
12	3217-7	2	Nut-Hex
13	19-1470	2	Screw-Shoulder
14	104-8300	2	Nut-HF, NI
15	114-0631	2	Clevis-Latch, Parking
16	107-3376	2	Spring-Compression



Lift Linkage Assembly

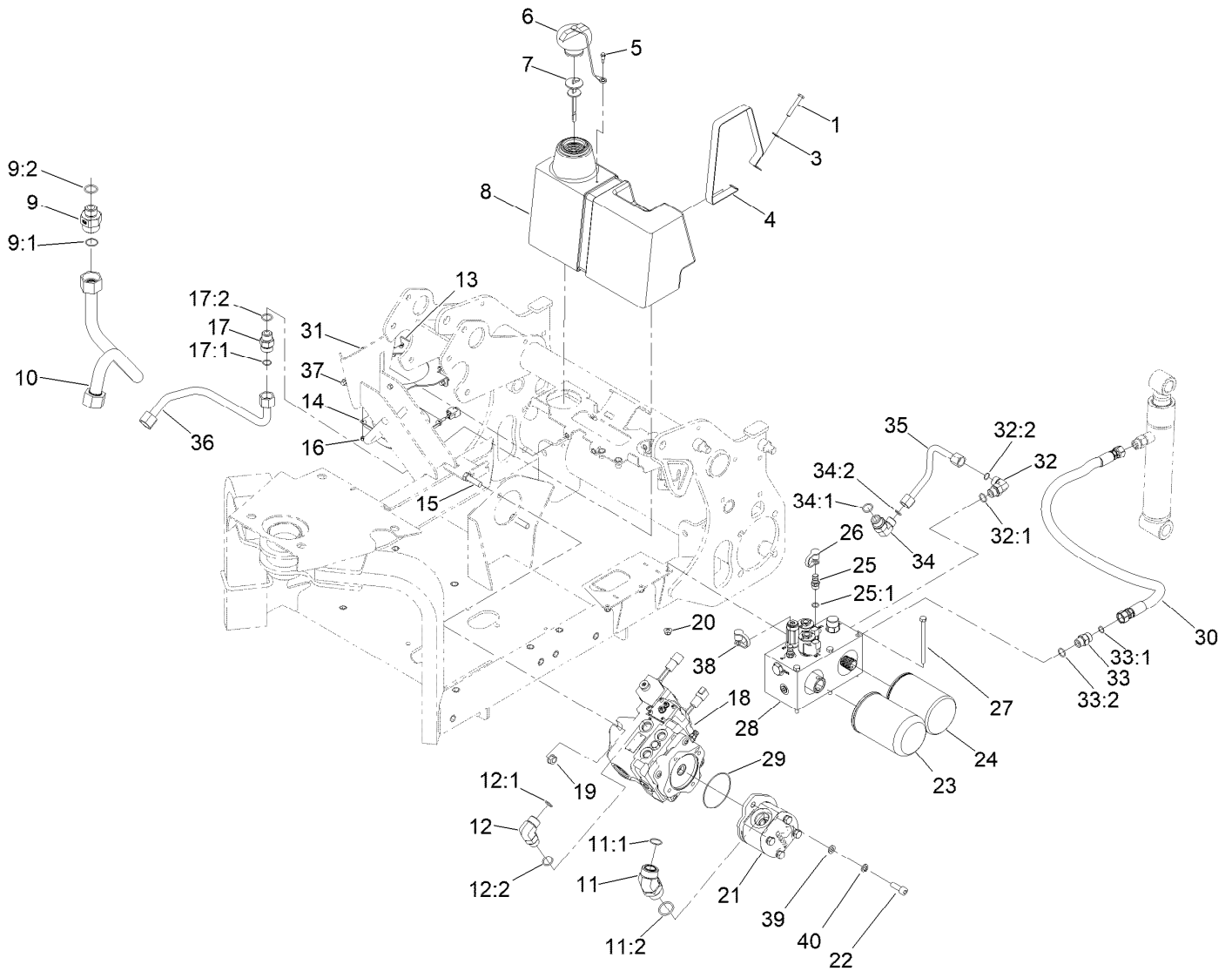
<i>Ref.</i>	<i>Part Number</i>	<i>Qty.</i>	<i>Description</i>	<i>Ref.</i>	<i>Part Number</i>	<i>Qty.</i>	<i>Description</i>
1	105-1178-01	2	Bracket-Marker	16	105-0983-01	1	Bar-Prop
2	105-1179	2	Rod-Marker	17	3272-21	1	Pin-Cotter
3	3272-31	2	Pin-Cotter	18	3290-495	1	Pin-Klik
4	3256-26	2	Washer-Flat	24	140-8869	1	Bin-Storage
5	20-6110	2	Spring-Compression	25	144-9882	1	Bin Bracket ASM
6	59-9460	2	Guide	26	3234-47	4	Screw-HHF
7	321-6	2	Screw-HH	28	93-9084	2	Decal-Point, Lift
8	3256-2	2	Washer-Flat	29	2412-112	1	Clamp-R
9	3296-42	2	Nut-Lock, NI	30	3234-11	1	Screw-HHF
10	3234-1	4	Screw-HHF				



Hydraulic Assembly

Ref.	Part Number	Qty.	Description	Ref.	Part Number	Qty.	Description
1	120-6000	1	Bolt-TAP, HH	14	139-8651	1	Fan-Electric
3	3256-23	1	Washer-Plain	15	324-6	2	Screw-HH
4	94-4642-03	1	Strap-Tank, HYD	16	3296-1	4	Nut-Lock
5	57-5420	1	Screw-Shoulder	17	340-7	1	Fitting-Straight
6	93-7160	1	Cap-Oil, HYD	17:1	237-65	1	O-Ring
7	106-8811	1	Dipstick ASM	17:2	237-80	1	O-Ring
8	127-4162	1	Reservoir-Oil, HYD	18	140-8564	1	Hydrostat
9	87-7290	1	Fitting-STR	19	32128-37	2	Nut-HF
9:1	340-65	1	O-Ring	20	104-8300	3	Nut-HF, NI
9:2	237-81	1	O-Ring	21	140-8836	1	Pump-Gear
10	139-8649	1	Hydraulic Tube ASM	22	AU862-10030	2	Screw-HSH
11	104-3509	1	Fitting-HYD, 45 DEG	23	75-1310	1	Filter-HYD
11:1	237-146	1	O-Ring	24	107-9531	1	Filter-Oil, HYD
11:2	340-65	1	O-Ring	25	59-7410	2	Fitting-Diagnostic
12	340-17	1	Fitting-Elbow, 90 DEG	25:1	237-42	1	O-Ring
12:1	237-65	1	O-Ring	26	354-79	1	Cap-Dust
12:2	237-80	1	O-Ring	27	322-38	3	Screw-HH
13	139-8634-03	1	Bracket-Fan	28	140-8614	1	Manifold

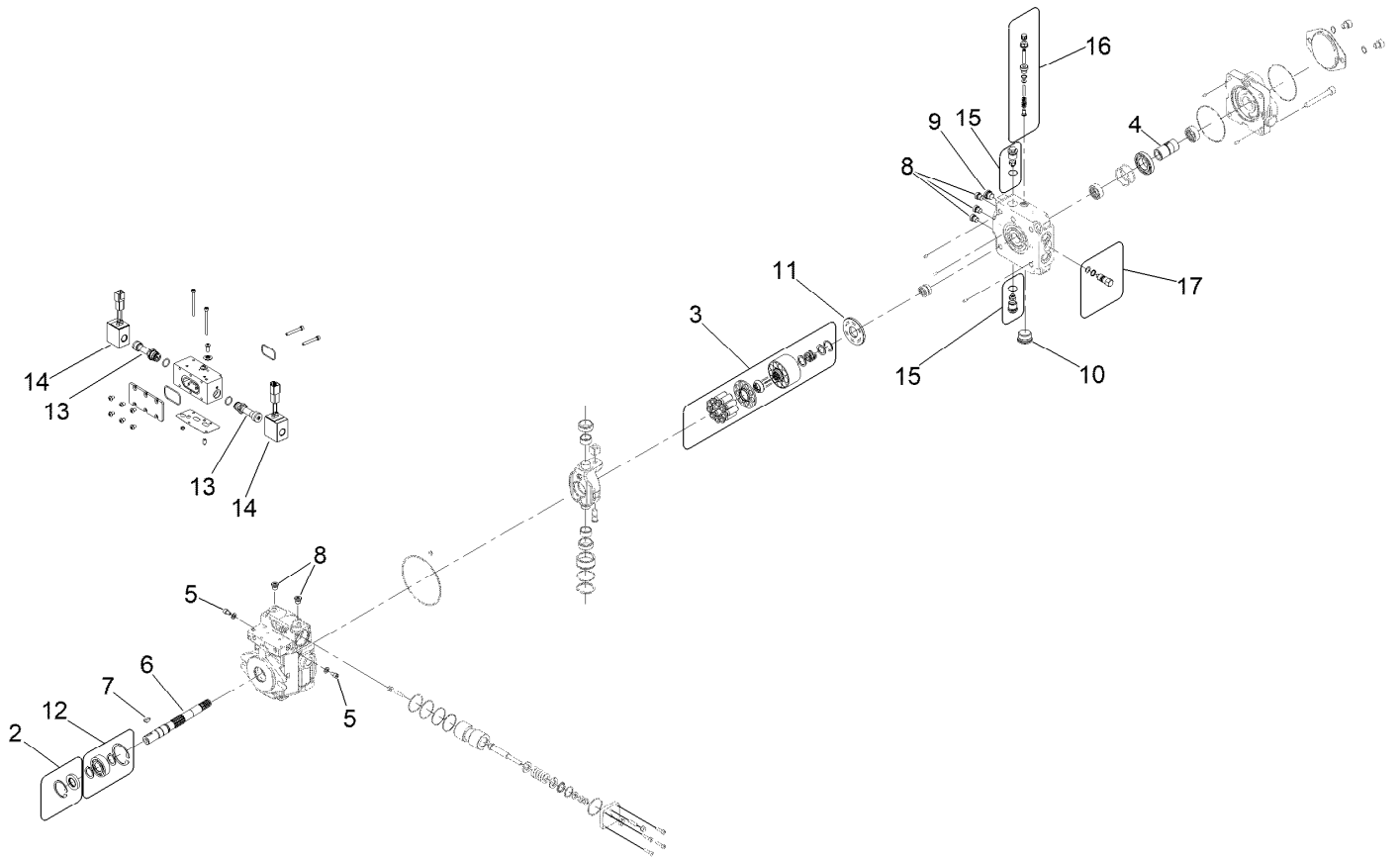
● Not illustrated



Hydraulic Assembly (continued)

<i>Ref.</i>	<i>Part Number</i>	<i>Qty.</i>	<i>Description</i>	<i>Ref.</i>	<i>Part Number</i>	<i>Qty.</i>	<i>Description</i>
29	353-949	1	O-Ring	34:1	237-80	1	O-Ring
30	95-5985	1	Hose-HYD	34:2	237-30	1	O-Ring
31	3250-26	4	Screw-PPH	35	140-8864	1	Hydraulic Tube ASM
32	340-98	1	Fitting-Elbow, 90 DEG	36	144-9876	1	Hydraulic Tube ASM
32:1	237-79	1	O-Ring	37	137-3111	4	Screw-HHF
32:2	237-30	1	O-Ring	38	353-947	1	Cap-Dust, Black
33	340-4	1	Fitting-Straight	39	107-1413	2	Washer-Hardened
33:1	237-30	1	O-Ring	40	48-9590	2	Washer-Lock
33:2	237-79	1	O-Ring	99	505-180	12	Oil-HYD, Toro Px ●
34	340-105	1	Fitting-Elbow, 90 DEG				

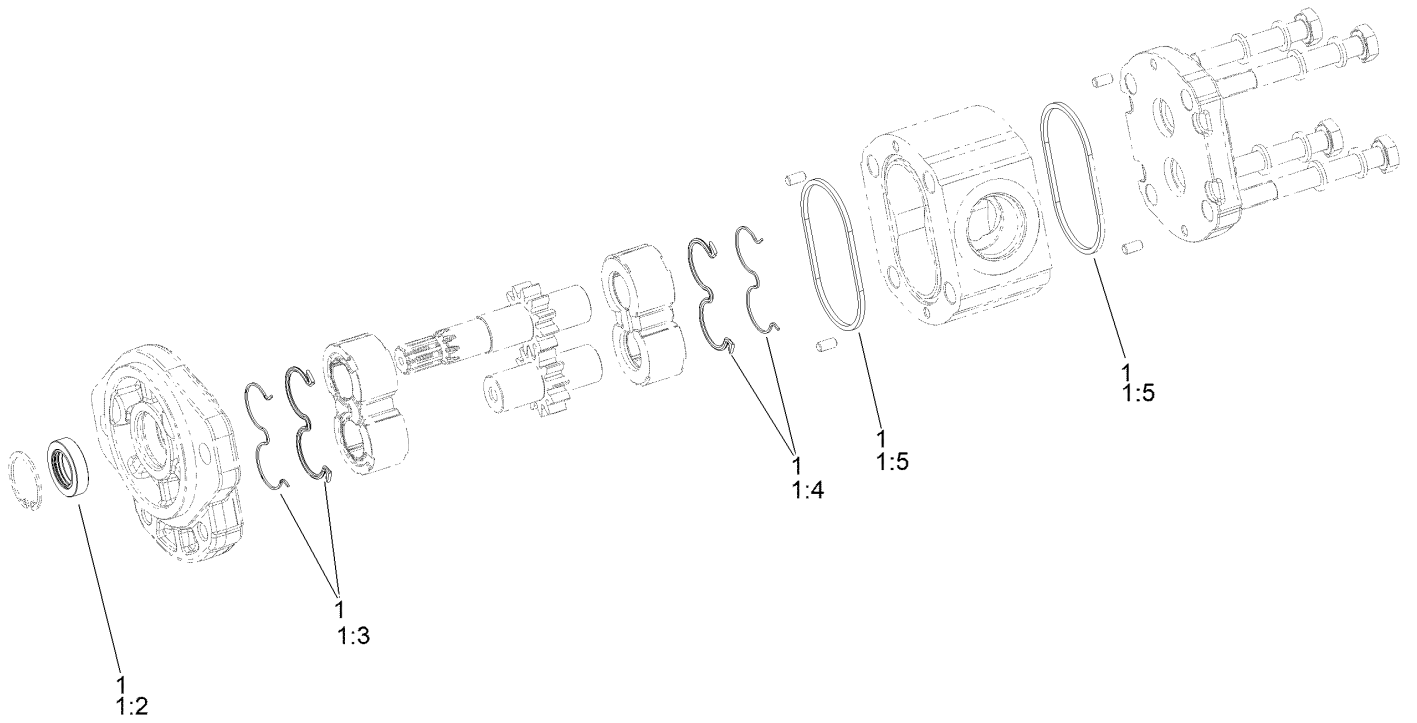
● Not illustrated



Hydrostat Assembly No. 140-8564

<i>Ref.</i>	<i>Part Number</i>	<i>Qty.</i>	<i>Description</i>	<i>Ref.</i>	<i>Part Number</i>	<i>Qty.</i>	<i>Description</i>
1	132-6041	1	Seal Kit ●	10	139-8676	1	Plug
2	132-6045	1	Shaft Seal Kit	11	139-8677	1	Valveplate
3	132-6048	1	Rotating Group Kit	12	139-8680	1	Driveshaft Bearing Kit
4	139-8670	1	Coupling	13	139-8681	2	Control Valve
5	139-8671	2	Screw	14	139-8682	2	Coil-Control Valve
6	139-8672	1	Driveshaft-Pump	15	139-8684	2	Main Relief Valve
7	139-8673	1	Key	16	139-8685	1	Charge Relief Valve
8	139-8674	3	Plug	17	139-8686	1	Bypass Valve Kit
9	139-8675	1	Plug				

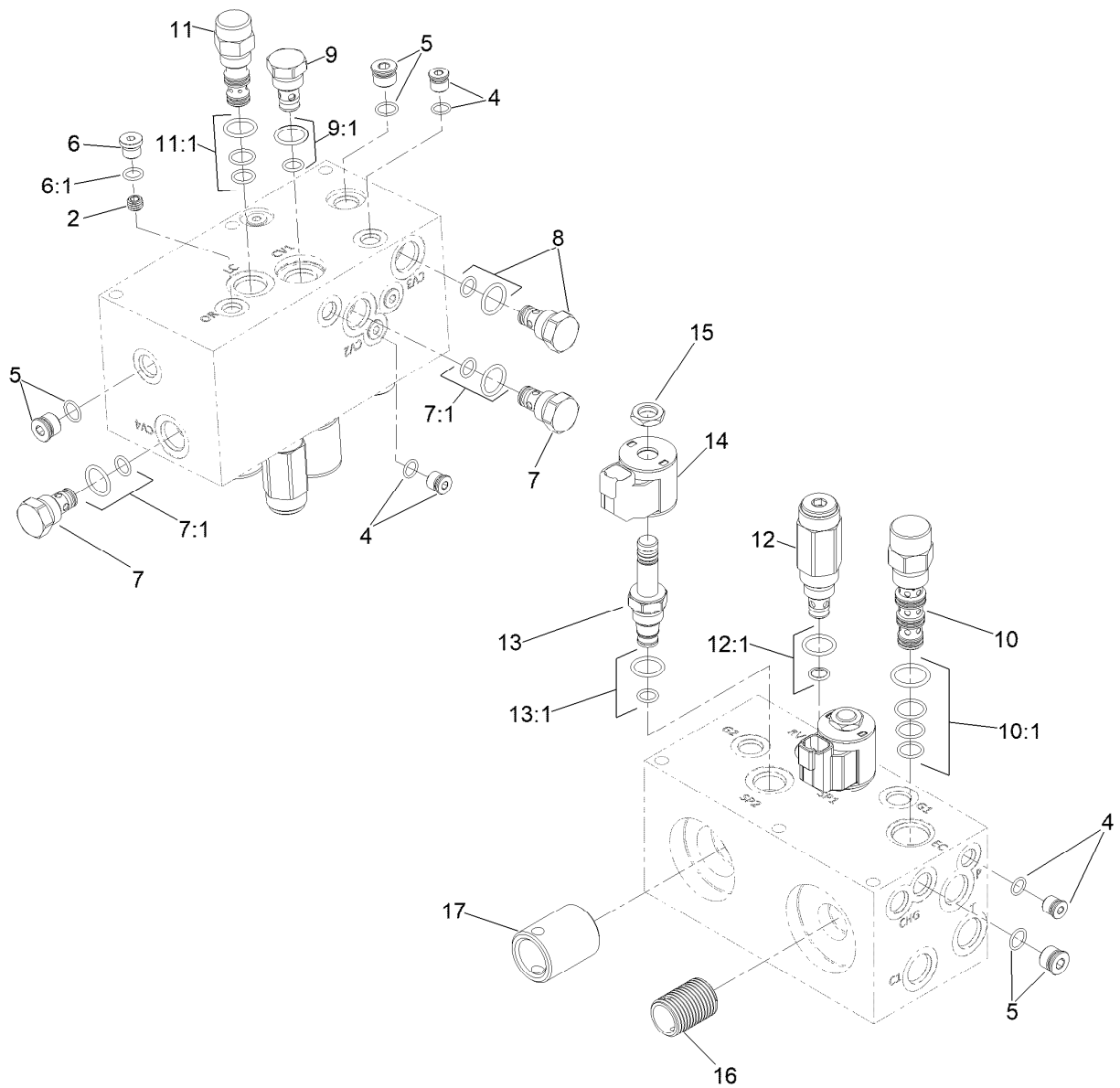
● Not illustrated



Gear Pump Assembly No. 140-8836

<i>Ref.</i>	<i>Part Number</i>	<i>Qty.</i>	<i>Description</i>
1	119-7135	1	Kit-Seal
1:2		1	Shaft Seal ●
1:3		2	Anti-Extrusion Seal ●
1:4		2	Seal ●
1:5		2	Seal Square Section ●

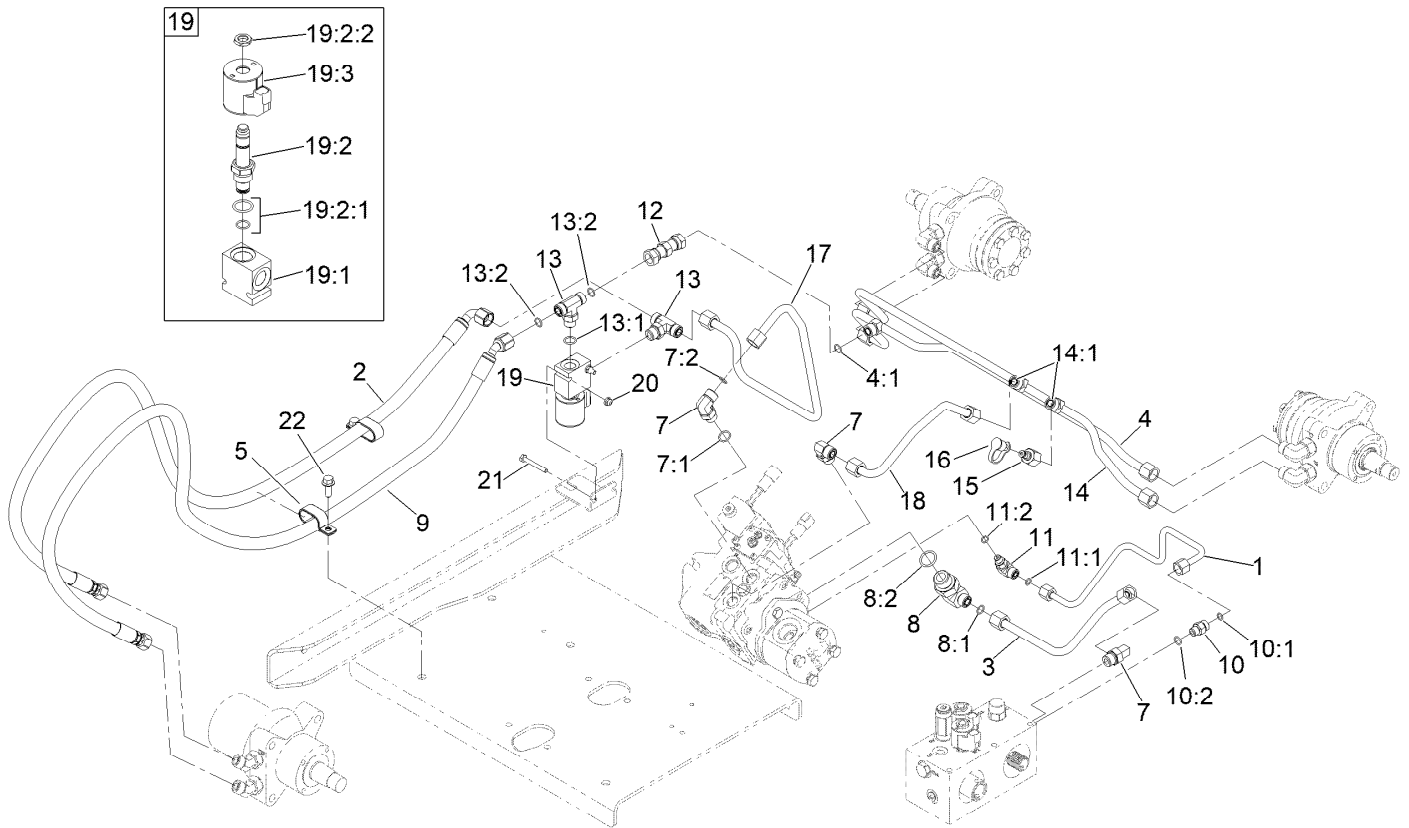
● Not serviced separately



Manifold Assembly No. 140-8614

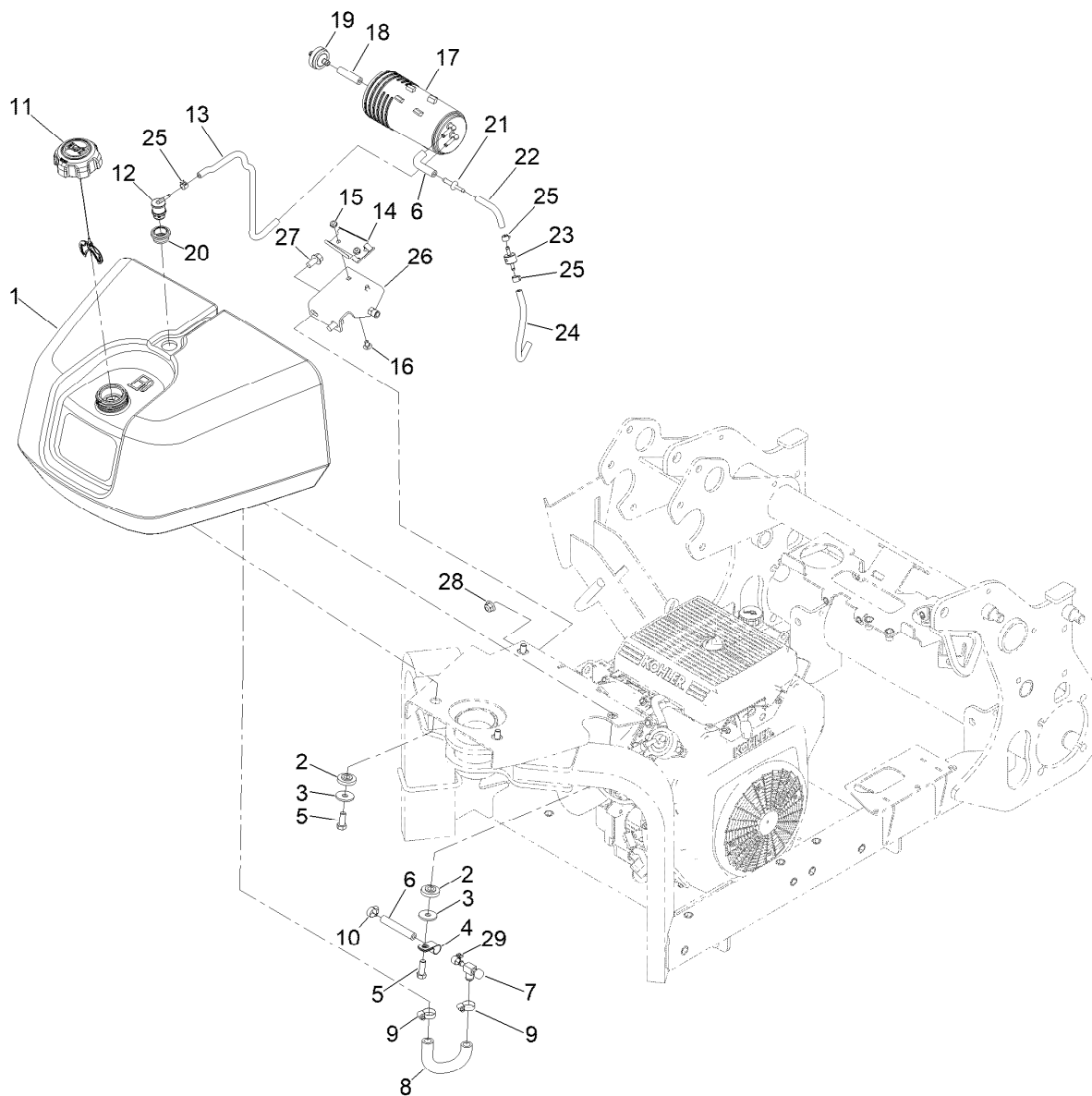
<i>Ref.</i>	<i>Part Number</i>	<i>Qty.</i>	<i>Description</i>
2	110-0495	1	Plug-Orifice (0.050 Inch)
4	112-9212	6	Plug
5	112-9213	3	Plug
6	139-8642	1	Plug-Socket, SAE
6:1	139-8643	1	Seal Kit
7	107-7524	2	Check Valve ASM
7:1	105-9156	1	Seal Kit
8	139-1213	1	Valve-Check
9	105-9321	1	Check Valve ASM
9:1	105-9156	1	Seal Kit
10	139-8632	1	Spool Valve

<i>Ref.</i>	<i>Part Number</i>	<i>Qty.</i>	<i>Description</i>
10:1	110-8908	1	Spool Valve Seal Kit
11	139-8631	1	Pilot Logic Element
11:1	110-8773	1	Seal Kit
12	139-8630	1	Valve-Relief
12:1	105-9156	1	Seal Kit
13	139-8629	2	Valve-Electro Proportional
13:1	105-9156	1	Seal Kit
14	112-0197	2	E Coil-12V DC
15	110-2634	2	Nut-Coil
16	139-8633	1	Nipple-Filter
17	125-7551	1	Nipple-Filter



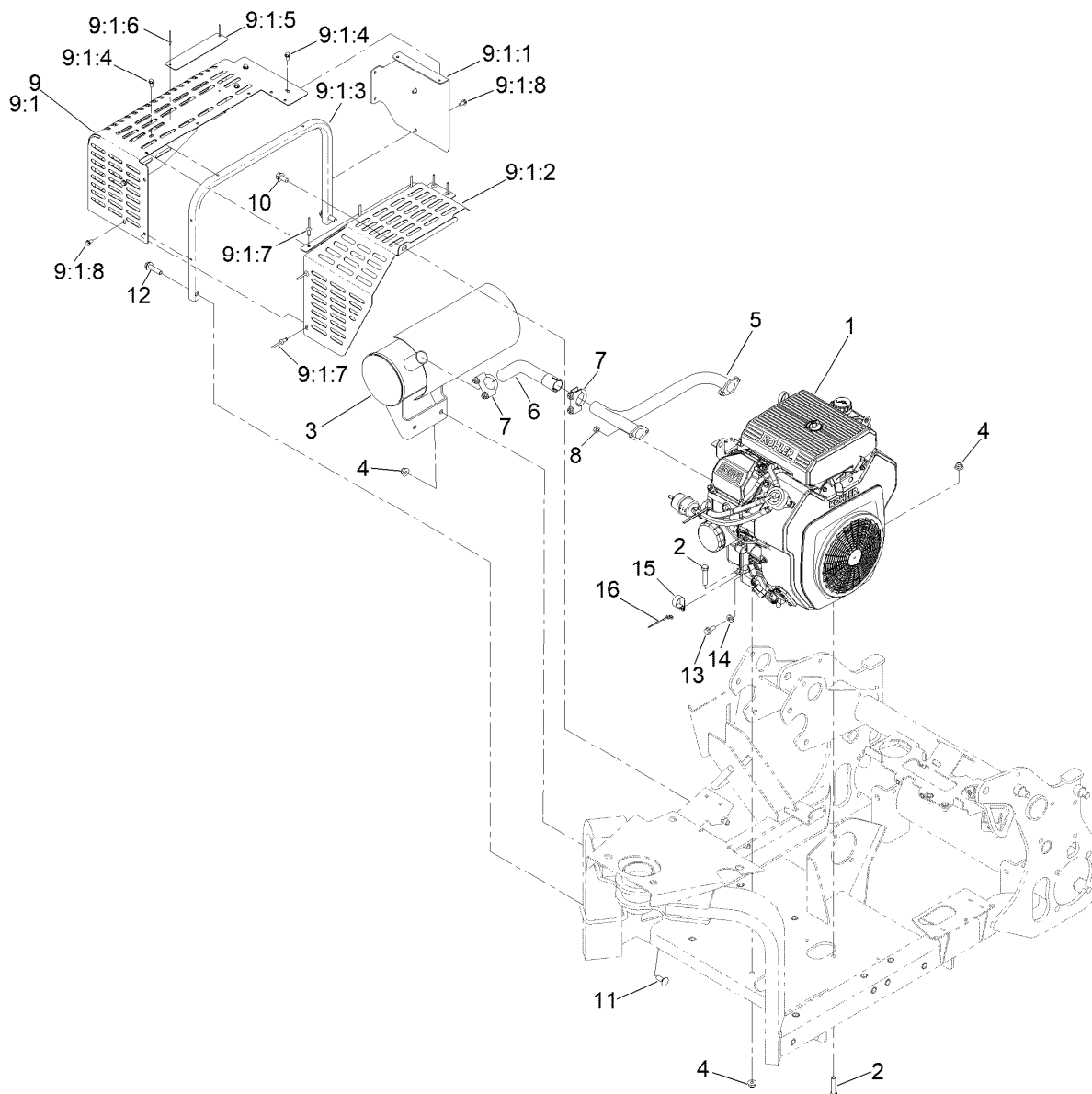
Hydraulic Hose and Tube Assembly

Ref.	Part Number	Qty.	Description	Ref.	Part Number	Qty.	Description
1	140-8866	1	Hydraulic Tube ASM	13	340-157	2	Fitting-HYD, Tee
2	139-7974	1	HYD Hose ASM	13:1	237-79	1	O-Ring
3	140-8865	1	Hydraulic Tube ASM	13:2	237-30	2	O-Ring
4	106-8818	1	Tube ASM	14	140-8855	1	Hydraulic Tube ASM
4:1	237-30	1	O-Ring	14:1	237-30	2	O-Ring
5	106-8829	2	R Clamp-Double	15	100-5616	1	Fitting
7	340-98	3	Fitting-Elbow, 90 DEG	16	354-79	1	Cap-Dust
7:1	237-79	1	O-Ring	17	140-8862	1	Hydraulic Tube ASM
7:2	237-30	1	O-Ring	18	144-9803	1	Hydraulic Tube ASM
8	340-105	1	Fitting-Elbow, 90 DEG	19	140-8867	1	Manifold-Traction
8:1	237-80	1	O-Ring	19:1	T56054034	1	Body-Valve, Hydraulic
8:2	237-30	1	O-Ring	19:2	T56054036	1	Valve-HYD, Solenoid (W/O Coil)
9	144-9869	1	Hydraulic Hose ASM	19:2:1	110-2633	1	Seal Kit
10	340-2	1	Fitting-Straight	19:2:2	110-2634	1	Nut-Coil
10:1	237-22	1	O-Ring	19:3	119-4619	1	Coil-Solenoid
10:2	237-42	1	O-Ring	20	104-7201	2	Nut-HF, NI
11	340-97	1	Fitting-Elbow, 90 DEG	21	321-11	2	Screw-HH
11:1	237-22	1	O-Ring	22	3234-11	2	Screw-HHF
11:2	237-78	1	O-Ring				
12	115-9036	1	Fitting-Straight Union				



Fuel System Assembly

<i>Ref.</i>	<i>Part Number</i>	<i>Qty.</i>	<i>Description</i>	<i>Ref.</i>	<i>Part Number</i>	<i>Qty.</i>	<i>Description</i>
1	115-5387	1	Tank-Fuel	16	3229-10	2	Screw-CARR
2	240-11	4	Bushing-Flange	17	117-1221	1	Canister-Carbon, 800Cc
3	63-8410	4	Washer	18	99-9415	1	Hose-Fuel
4	2412-41	1	Clamp-R	19	115-7854	1	Filter-Fuel, Inline
5	323-6	4	Screw-HH	20	114-0284	1	Grommet
6	114-3765	2	Hose-Fuel	21	121-0743	1	Adapter-Orifice
7	83-1390	1	Valve-Shut-Off, Fuel	22	115-4736	1	Hose-Fuel
8	108-6818	1	Hose-Fuel, Molded	23	133-8499	1	Valve-Check, Vacuum
9	2412-36	2	Clamp-Hose	24	51-3217	1	Hose-Fuel
10	2412-108	1	Clamp-Worm	25	2412-146	3	Clamp-Hose
11	137-4127	1	Cap-Fuel	26	144-9870	1	Canaster Bracket ASM
12	114-0285	1	Valve-Rollover	27	3234-1	2	Screw-HHF
13	115-4735	1	Hose-Fuel	28	104-8301	2	Nut-HF, NI
14	114-0292	1	Bracket-Canister, Carbon	29	145-4564	1	Clamp-Band, Screw
15	3296-56	2	Nut-Lock, NI				

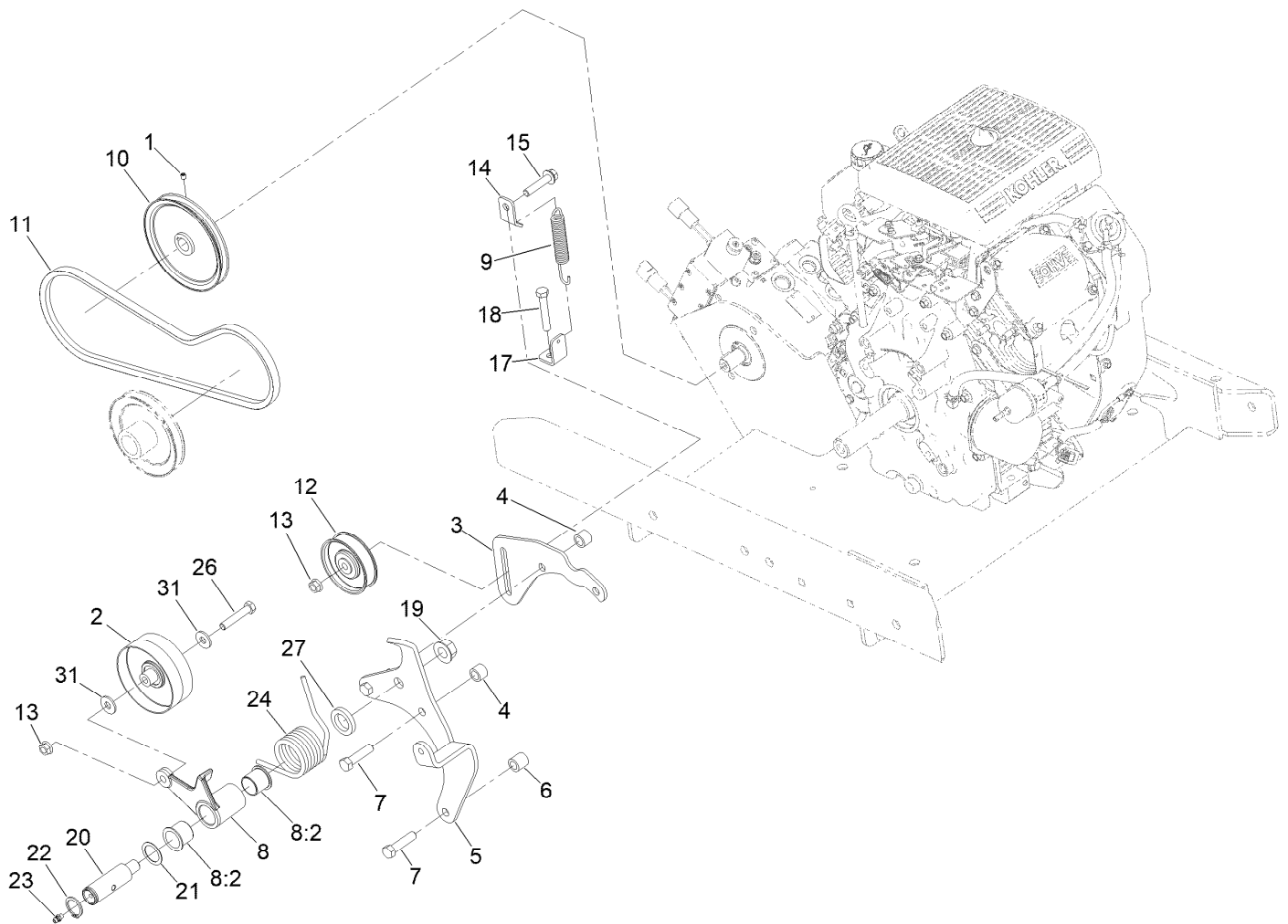


Engine and Muffler Assembly

Ref.	Part Number	Qty.	Description	Ref.	Part Number	Qty.	Description
1	139-8652	1	Engine-Kohler, Ch680-3165	9:1:5	140-8962	1	Artwork-Plate, Warning, Procure
2	323-9	4	Screw-HH	9:1:6	3269-32	2	Rivet-Pop
3	106-8859	1	Muffler-Exhaust	9:1:7	93-8744	7	Rivet-Blind
4	104-8301	6	Nut-HF, NI	9:1:8	32144-4	10	Screw-HWH
5	106-8858	1	Manifold-Exhaust	10	3234-1	1	Screw-HHF
6	106-8857	1	Elbow-Exhaust	11	3231-2	2	Bolt-CARR
7	104-4090	2	Clamp-Muffler	12	3234-18	2	Screw-HHF
8	33014-00	4	Nut-Hex	13	33104-020	1	Screw-HHF
9	107-7546SP	1	Shield ASM	14	33095-00	1	Washer-Flat
9:1		1	Shield ASM ■	15	2412-106	1	Clamp-R
9:1:1	106-8903-01	1	Shield-Muffler	16	3290-381	1	Tie-Cable
9:1:2	106-8904-03	1	Shield-Clutch	99	505-117	2	Oil-Engine ●
9:1:3	106-8848-01	1	Tube-Shield, Muffler				
9:1:4	106-8906-01	1	Bracket-Shield, Muffler				

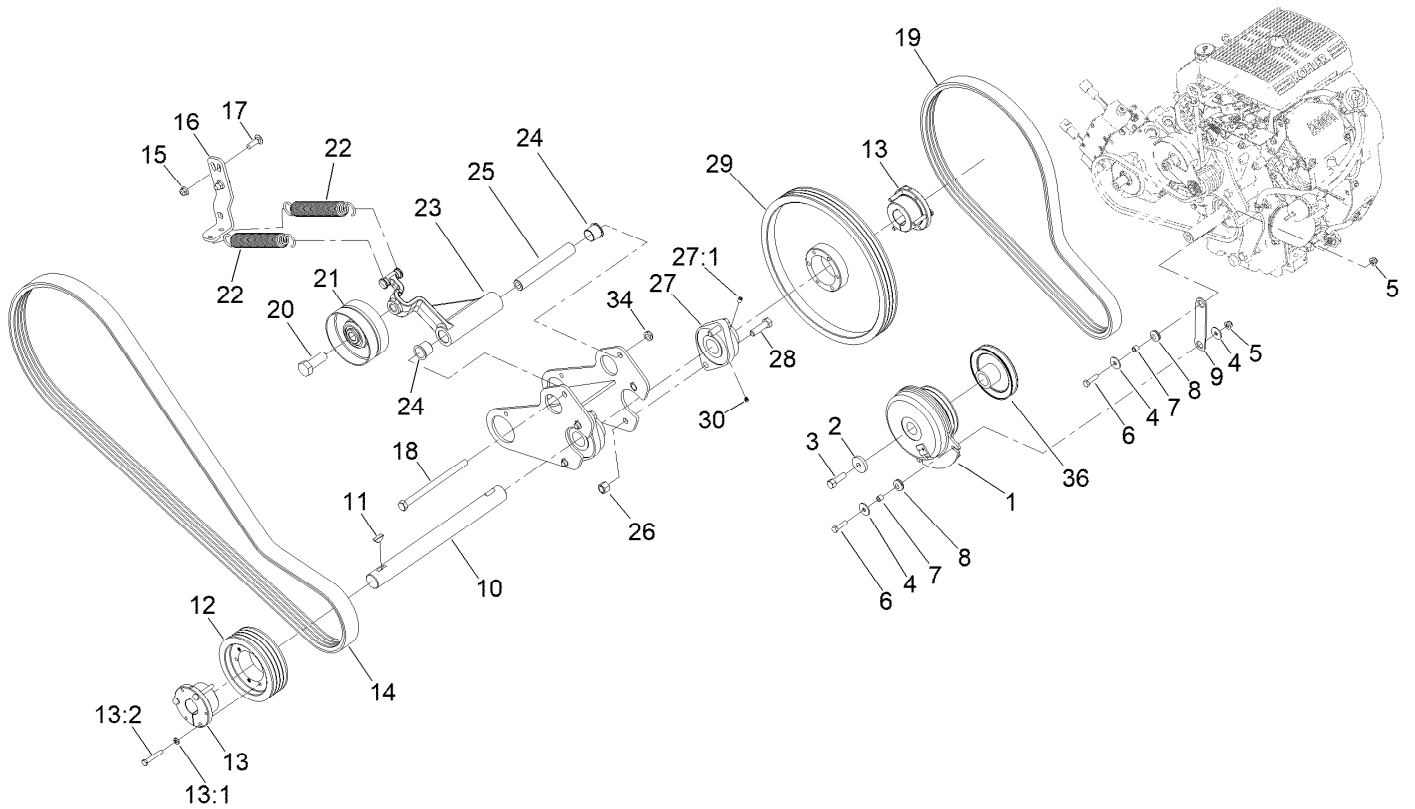
● Not illustrated

■ Not serviced separately



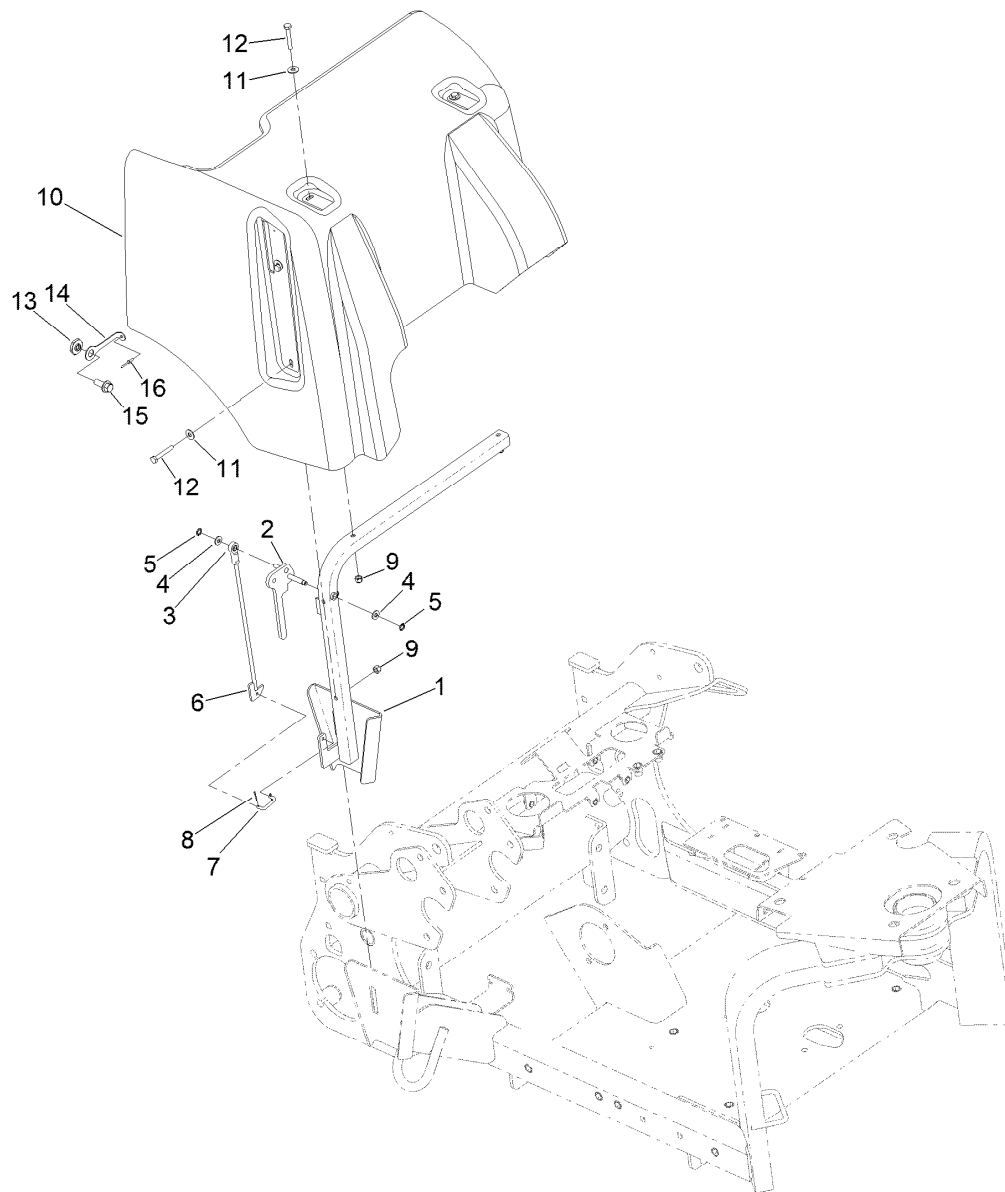
Idler, Pulley and Belt Assembly

<i>Ref.</i>	<i>Part Number</i>	<i>Qty.</i>	<i>Description</i>	<i>Ref.</i>	<i>Part Number</i>	<i>Qty.</i>	<i>Description</i>
1	3245-7	2	Screw-Set	14	107-7588	1	Bracket-Spring
2	139-6031	1	Pulley-Idler	15	3234-19	1	Screw-HHF
3	105-1085-03	1	Support-Idler	17	107-7583	1	Bracket-L
4	68-5440	2	Spacer	18	104-3396	1	Screw-HH
5	115-4724-03	1	Bracket-Mounting, Idler	19	32128-54	1	Nut-HF
6	105-0985	1	Spacer-Support, Idler	20	99-3624	1	Shaft-Pivot, Idler
7	324-7	3	Screw-HH	21	74-1810	1	Washer
8	137-1653	1	Idler Arm ASM	22	32151-36	1	Ring-Retaining
8:2	126-1963	2	Bushing-Pivot	23	302-5	1	Fitting-Grease
9	106-4502	1	Spring-Scraper	24	115-3488	1	Spring-Torsion
10	137-6686	1	Pulley	26	323-10	1	Screw-HH
11	107-7513	1	V-Belt	27	99-3625	1	Spacer-Arm, Idler
12	112426	1	Pulley-Idler	31	80-6990	2	Washer-Hardened
13	32128-21	2	Nut-HF Lock				



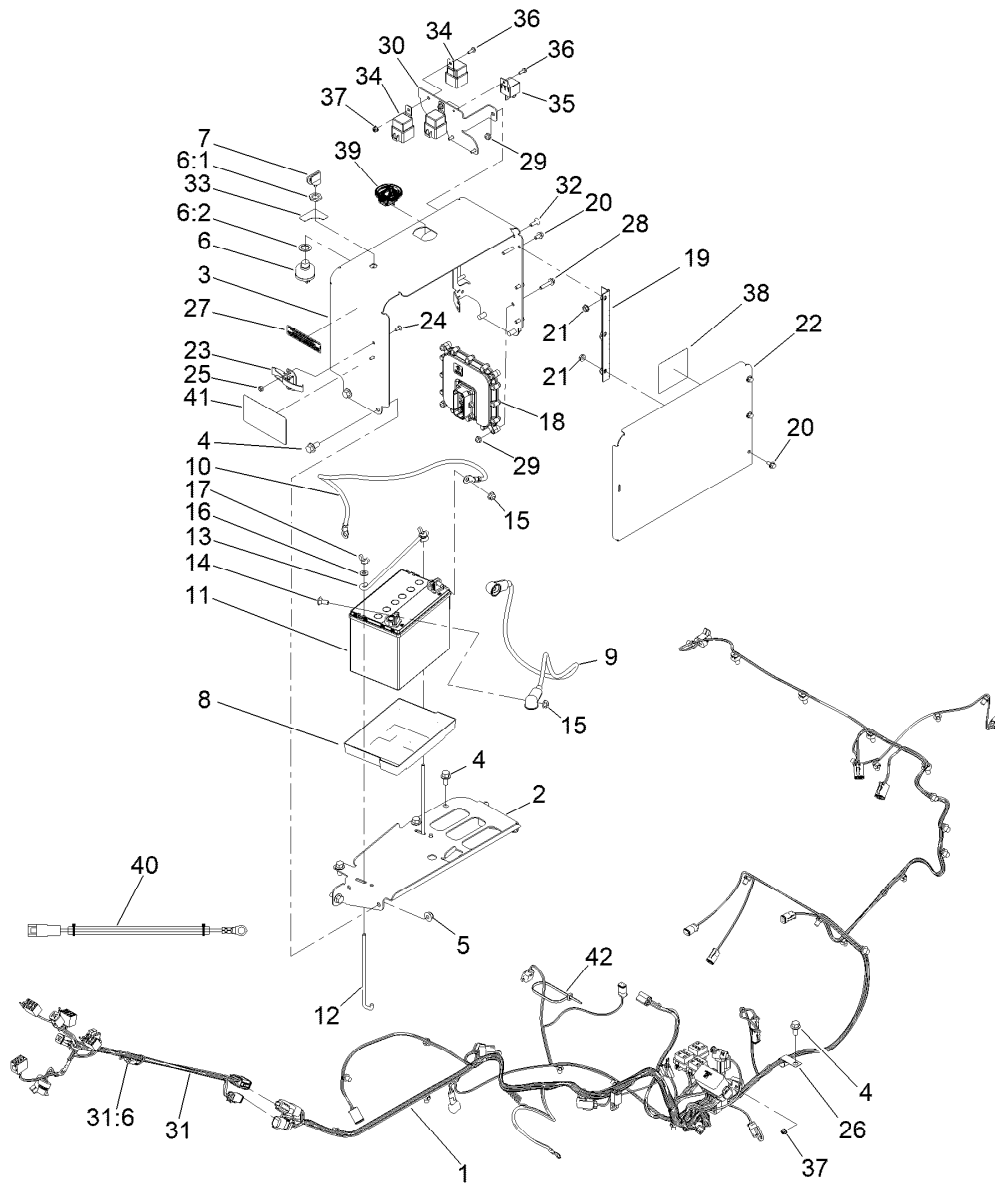
Clutch Assembly

Ref.	Part Number	Qty.	Description	Ref.	Part Number	Qty.	Description
1	138-5986	1	Clutch-Electric	17	3231-25	2	Bolt-CARR
2	1-543610	1	Washer-Clutch	18	325-36	1	Screw-HH
3	26-0671	1	Screw-HH	19	105-0989	1	Belt-3V
4	3256-82	3	Washer-Flat	20	328-24	1	Screw-HH
5	104-8300	2	Nut-HF, NI	21	100-7631	1	Pulley-Idler
6	322-6	2	Screw-HH	22	106-8933	2	Spring-Extension
7	1-633545	2	Spacer	23	105-1132-03	1	Arm-Idler
8	1-633630	2	Grommet	24	126-1963	2	Bushing-Pivot
9	107-3382	1	Strap-Clutch	25	105-1172	1	Tube-Pivot, Idler
10	105-0975	1	Jackshaft	26	3296-23	4	Nut-Lock, NI
11	3257-42	2	Key-Woodruff	27	105-0962	2	Bearing-Mount, Flange
12	140-8880	1	Pulley-3V, 4 Groove	27:1	3246-17	1	Setscrew-HSH
13	59-3790	2	Bushing-Lock, Taper	28	325-7	4	Screw-HH
13:1	3253-4	3	Washer-Lock	29	105-0977	1	Pulley-3V
13:2	120-6000	3	Bolt-TAP, HH	30	302-59	2	Plug-EXT Hex Spl
14	140-8882	1	Belt-V, Banded	34	3296-45	1	Nut-Hex
15	104-8301	2	Nut-HF, NI	36	107-3379	1	Pulley
16	105-1118-03	1	Arm-Spring, Idler				



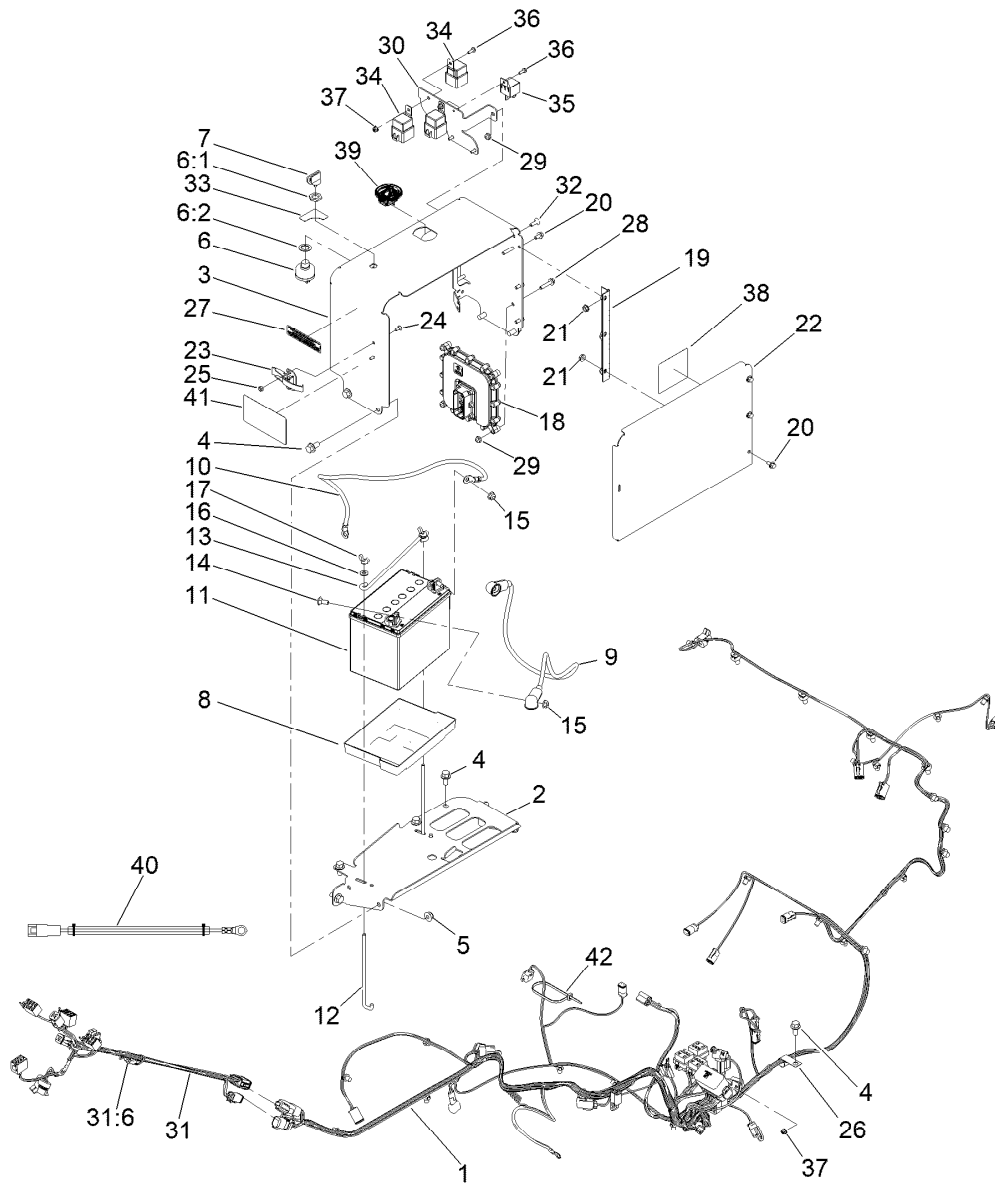
Hood Assembly

<i>Ref.</i>	<i>Part Number</i>	<i>Qty.</i>	<i>Description</i>	<i>Ref.</i>	<i>Part Number</i>	<i>Qty.</i>	<i>Description</i>
1	106-8846-03	1	Frame-Hood	9	3296-42	4	Nut-Lock, NI
2	115-4737-03	1	Lever-Hood	10	140-8780	1	Hood-Front
3	2411-41	1	Rod End-Ball Joint	11	100-2400	4	Washer
4	3256-22	2	Washer-Flat	12	321-10	4	Screw-HH
5	104-8310	2	Ring-Retaining	13	117-8347	1	Nut-Shoulder
6	106-8928	1	Hook ASM	14	117-8339	1	Lanyard-3 Inch
7	69-9140	1	Link-Lever, Valve	15	3234-42	1	Screw-HHF
8	3272-1	2	Pin-Cotter	16	3290-55	1	Rivet-Pop



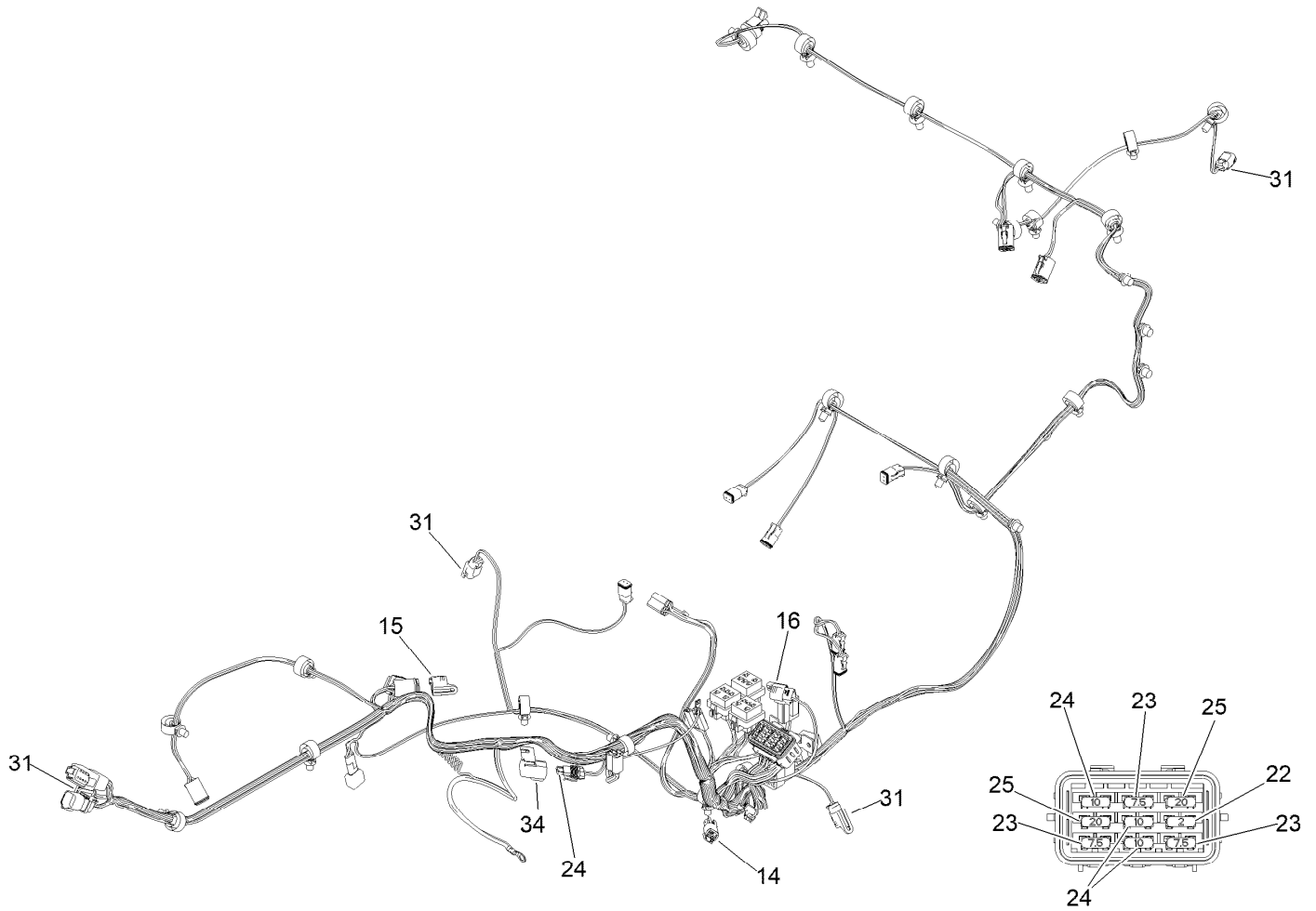
Electrical Assembly

<i>Ref.</i>	<i>Part Number</i>	<i>Qty.</i>	<i>Description</i>	<i>Ref.</i>	<i>Part Number</i>	<i>Qty.</i>	<i>Description</i>
1	122-1868	1	Harness-Wire, Pc648 Whm	20	3234-13	6	Screw-HHF
2	140-8845-01	1	Base-Battery	21	32128-33	6	Nut-HF
3	140-8621-01	1	Console	22	140-8701-01	1	Cover-Console
4	3234-1	10	Screw-HHF	23	249-21	1	Clamp-Slotted
5	104-8301	4	Nut-HF, NI	24	104-1450	2	Bolt-CARR
6	83-0020	1	Switch-Ignition	25	3296-2	2	Nut-Lock, NI
6:1	218-461	1	Nut-HH	26	2412-150	1	Clip-J
6:2	3254-5	1	Washer-Lock	27	133-8062	1	Decal-Arrestor, Spark
7	63-8360	1	Key-Ignition	28	127-8639	4	Screw-HHF
8	106948	1	Tray-Battery	29	104-7201	5	Nut-HF, NI
9	106-8945	1	Cable-Battery, Positive	30	140-8754	1	Brkt-Controls
10	106-8946	1	Cable-Battery, Negative	31	122-2170	1	Harness-Wire, Pc648, Console
11	99-7421	1	Battery	31:6	32180-282	1	Resistor-120 Ohm
12	100-6435	2	Post-Battery	32	1-807512	1	Bolt-CARR
13	100-6434	1	Rod-Hold Down, Battery	33	130-7360	1	Decal-Ignition
14	3230-1	2	Bolt-CARR	34	99-7430	4	Relay-Mini
15	104-8300	2	Nut-HF, NI	35	99-7435	1	Relay
16	3256-23	2	Washer-Plain	36	32105-23	5	Screw
17	32103-22	2	Nut-Wing	37	120-4578	5	Nut-HF
18	127-2770	1	Controller	38	139-8691	1	Decal-Fuse
19	106-8908	1	Hinge-Console				



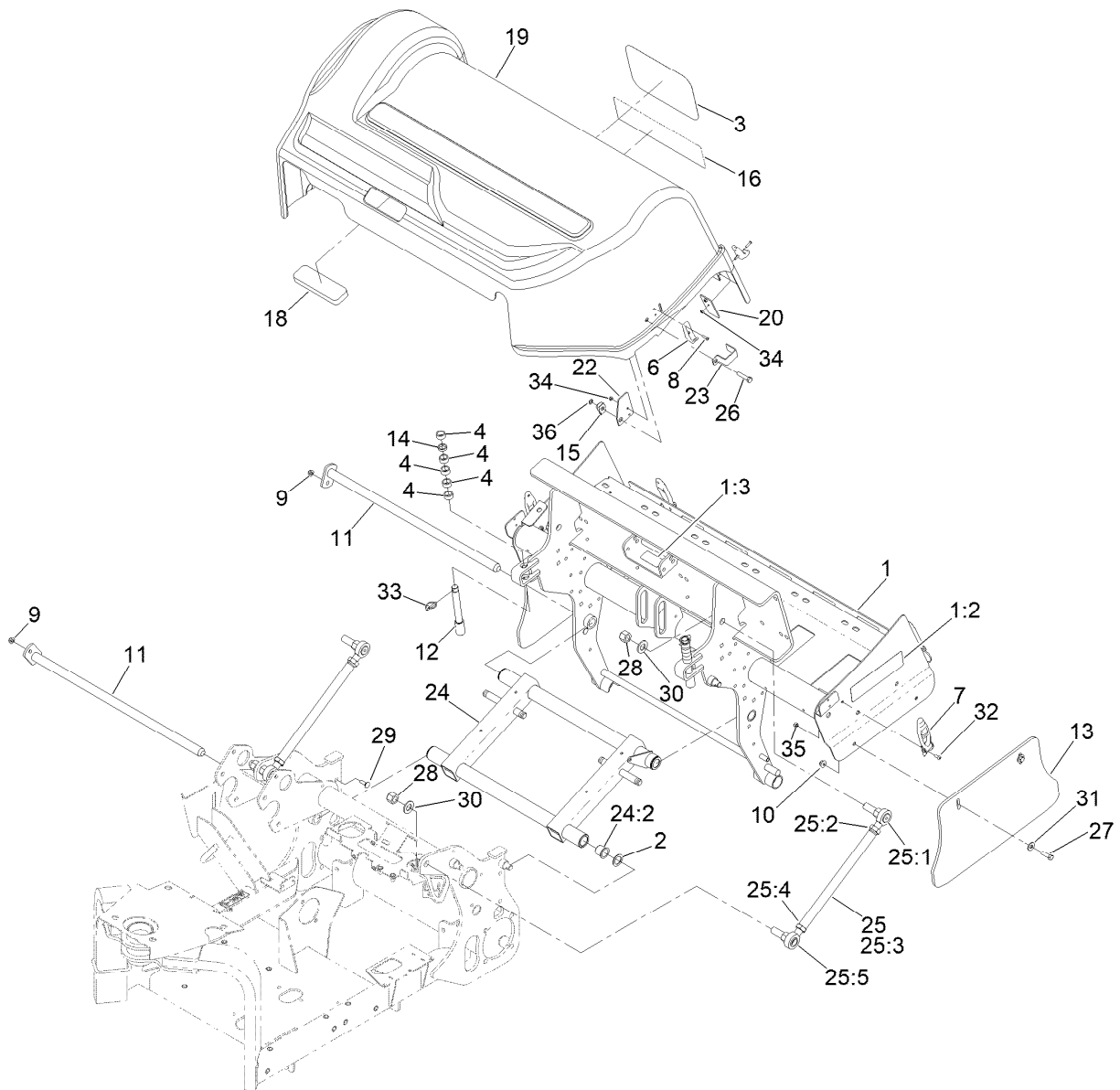
Electrical Assembly (continued)

<i>Ref.</i>	<i>Part Number</i>	<i>Qty.</i>	<i>Description</i>	<i>Ref.</i>	<i>Part Number</i>	<i>Qty.</i>	<i>Description</i>
39	144-9891	1	Tachometer-Inductive, Round	41	139-8653	1	Decal -Service Instructions
40	108-9455	1	Harness-Wire, Fusible Link	42	3290-379	7	Tie-Cable



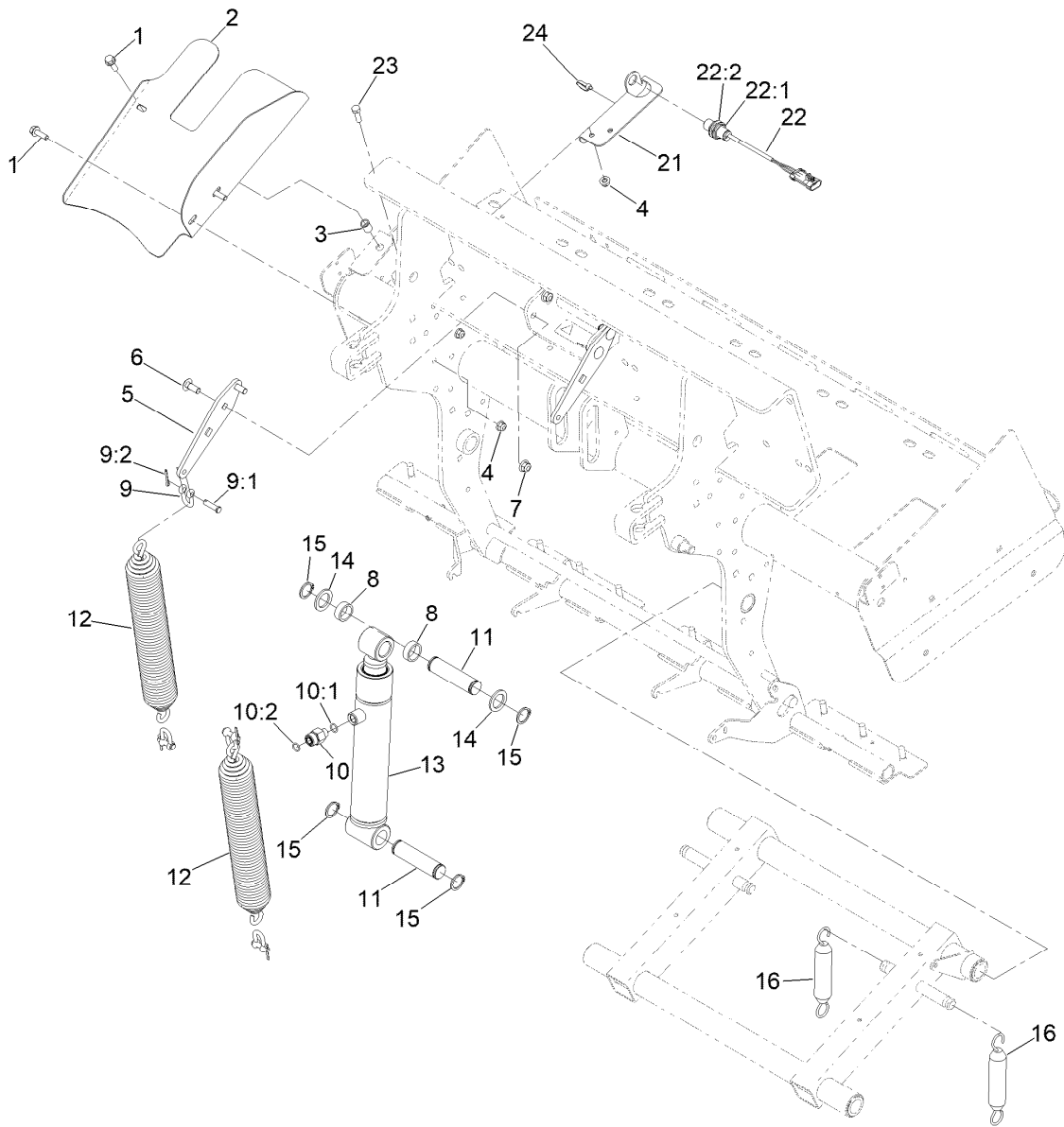
Wire Harness Assembly No. 122-1868

<i>Ref.</i>	<i>Part Number</i>	<i>Qty.</i>	<i>Description</i>
14	32180-282	1	Resistor-120 Ohm
15	32180-156	1	Cap-Plug, 6 Way
16	32180-089	1	Cap-Plug, 3 Way
22	121-8861	1	Fuse-Mini Blade, 2 Amp
23	121-8865	3	Fuse-Mini Blade, 7.5 Amp
24	121-8866	4	Fuse-Mini Blade, 10 Amp
25	121-8868	2	Fuse-Mini Blade, 20 Amp
31	32180-091	4	Cap-Dust, 2 Way
34	32180-101	1	Cover-Fuse, Single



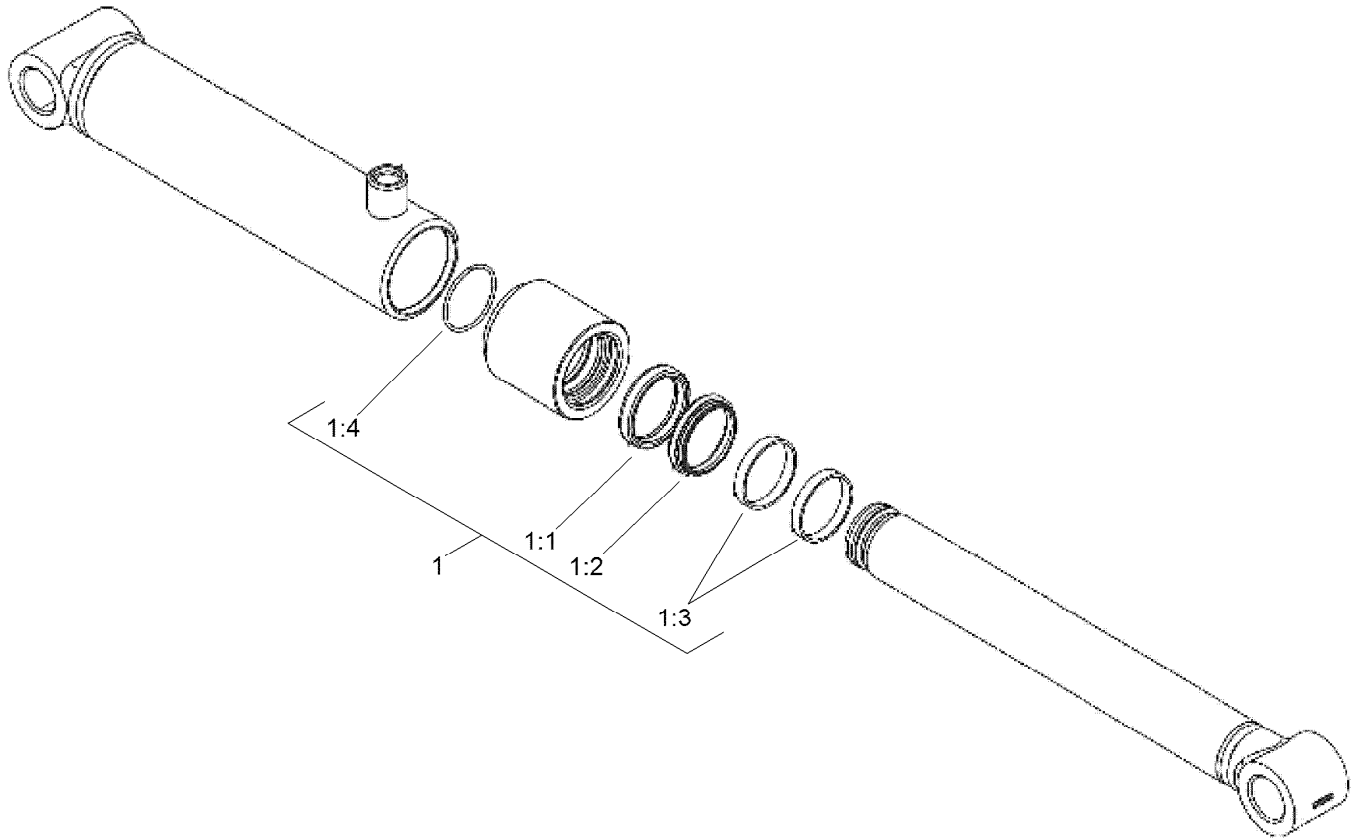
Rear Frame and Hood Assembly

Ref.	Part Number	Qty.	Description	Ref.	Part Number	Qty.	Description
1	140-8571	1	Rear Frame ASM	23	110-4673	2	Lock-Latch, CE
1:2	140-8960	3	Decal-Warning, Procure	24	139-7991	1	H-Frame ASM
1:3	93-6696	1	Decal-Warning	24:2	126-1963	4	Bushing-Pivot
2	10-8110	4	Washer-Thrust	25	114-2702	2	Link ASM
3	67-7310	1	Decal	25:1	105-1025	1	End-Rod
4	74-3730	10	Spacer-Spindle, Rear	25:2	3220-17	1	Nut-Jam, LH
6	103-2897	4	Latch-Catch	25:3	105-1007	1	Link-Upper
7	103-2898	4	Latch-Rubber	25:4	3220-7	1	Nut-Jam
8	104-2408	8	Screw-HSBH	25:5	2411-40	1	End-Rod
9	104-8300	2	Nut-HF, NI	26	323-53	2	Screw-HH
10	104-8301	4	Nut-HF, NI	27	323-7	4	Screw-HH
11	105-0950	2	Pivot Shaft ASM	28	3296-50	4	Nut-Lock, NI
12	105-1004	2	Pin-Stop, Depth	29	3230-2	2	Bolt-CARR
13	105-1069	2	Shield-Side	30	92-5836	4	Washer
14	105-3828	2	Spacer	31	3256-4	4	Washer-Flat
15	105-4886	2	Nut-Tinnerman	32	3274-31	4	Screw-HSBH
16	140-8964	1	Decal-Procure 648S	33	3290-495	2	Pin-Klik
18	107-7507	3	Pad-Foam	34	3296-2	8	Nut-Lock, NI
19	144-9858	1	Hood - Rear	35	3296-42	4	Nut-Lock, NI
20	110-1499	2	Plate-Reinforcement	36	32151-72	2	Ring-Retaining
22	110-4672	2	Plate-Reinforcement				



Belt Shield Assembly

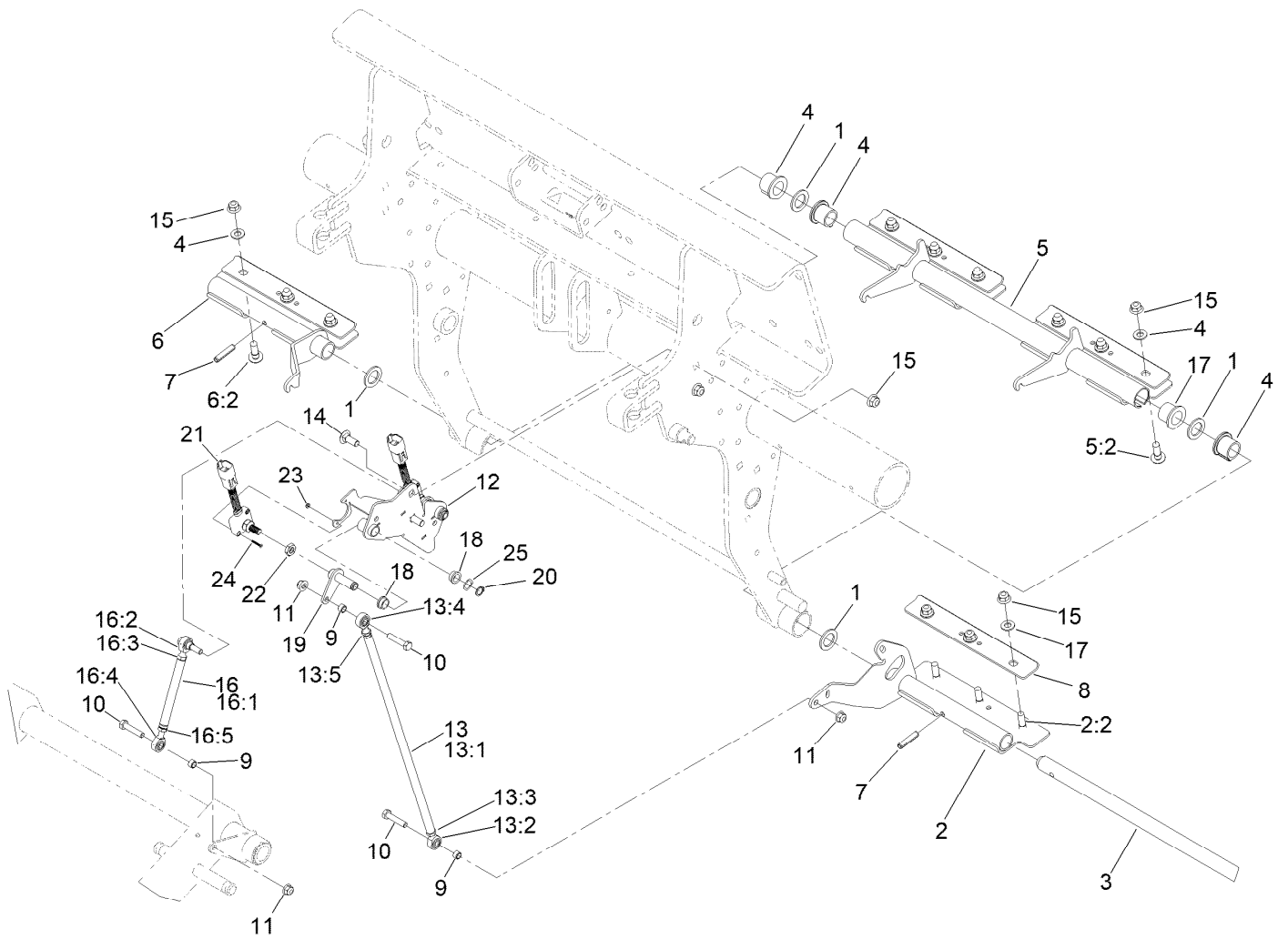
Ref.	Part Number	Qty.	Description	Ref.	Part Number	Qty.	Description
1	3234-17	3	Screw-HHF	10:2	237-30	1	O-Ring
2	105-1092-01	1	Shield-Top, Belt	11	105-1031	2	Pin-Cylinder
3	32148-7	1	Nut-Clinch	12	105-1156-03	2	Spring-Extension
4	104-8300	4	Nut-HF, NI	13	140-2205	1	Cylinder-Hydraulic
5	105-1190-01	2	Plate-Tension, Spring	14	256-115	2	Washer-Thrust
6	3231-2	4	Bolt-CARR	15	32151-36	4	Ring-Retaining
7	104-8301	16	Nut-HF, NI	16	66-4270	2	Spring-Extension
8	88-7530	2	Spacer	21	140-2277	1	Bracket-Sensor
9	282-4	4	Shackle	22	115-0282	1	Proximity Sensor ASM
9:1	283-6	1	Pin-Clevis	22:1	117-3207	2	Nut-Hex
9:2	3272-11	1	Pin-Cotter	22:2	117-3208	2	Washer-Lock, Internal Tooth
10	340-5	1	Fitting-Straight	23	322-5	2	Screw-HH
10:1	237-42	1	O-Ring	24	3290-378	1	Tie-Cable



Hydraulic Cylinder Assembly No. 140-2205

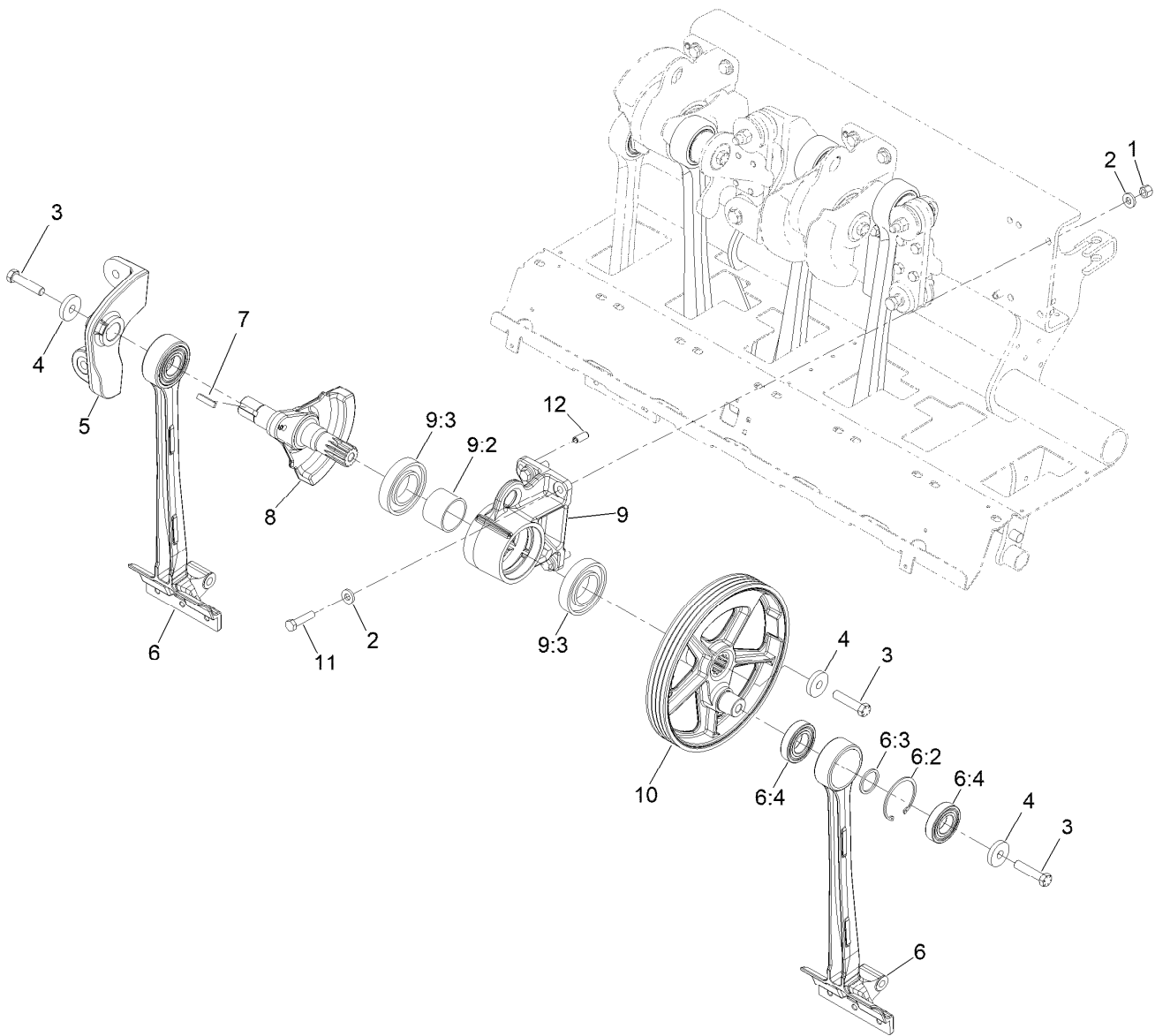
<i>Ref.</i>	<i>Part Number</i>	<i>Qty.</i>	<i>Description</i>
1	140-2207	1	Seal Kit
1:1		1	Rod Seal ●
1:2		1	Rod Wiper ●
1:3		2	Wear Ring ●
1:4		1	Wire Ring ●

● Not serviced separately



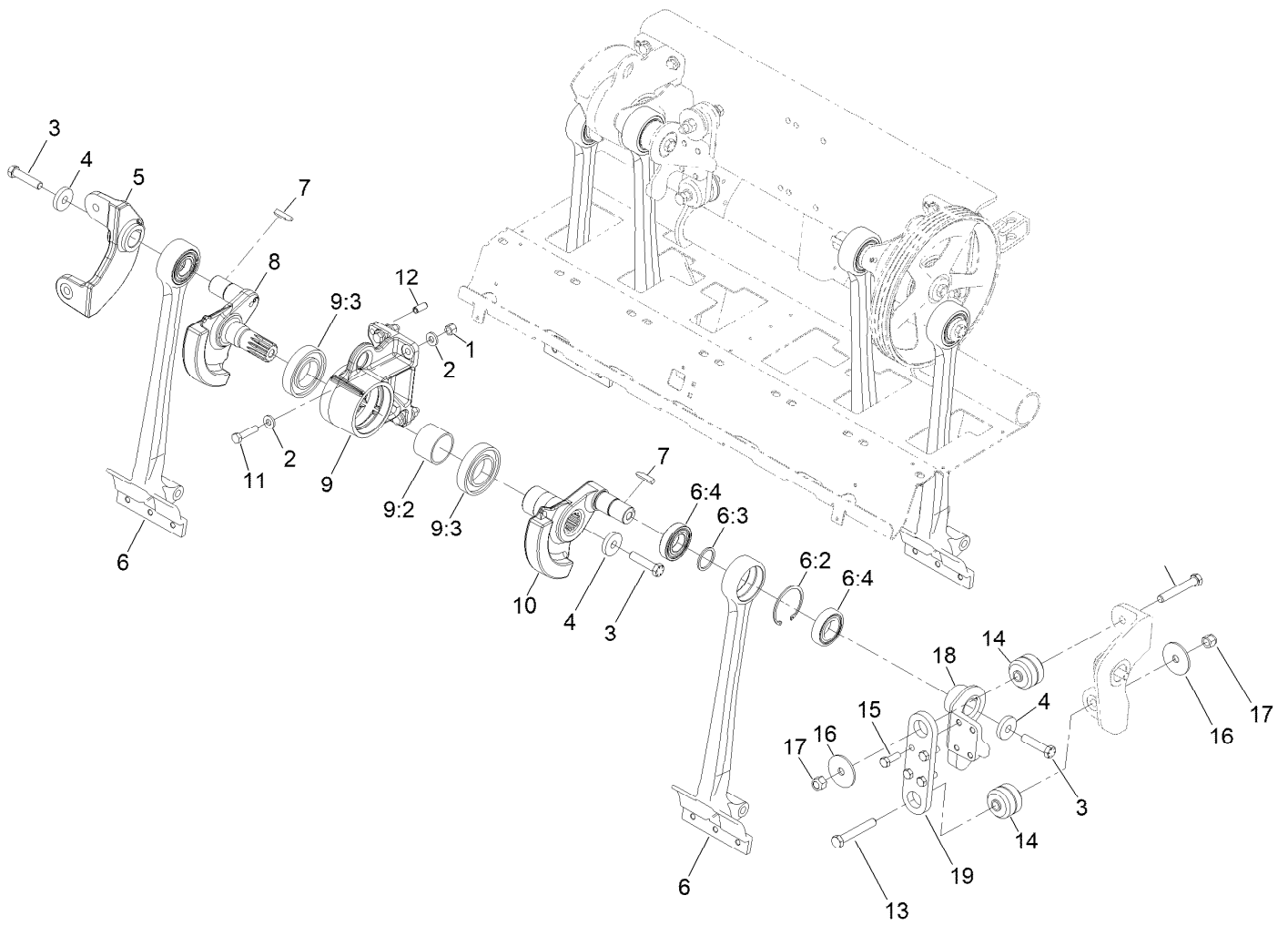
Turf Guard Mount Assembly

Ref.	Part Number	Qty.	Description	Ref.	Part Number	Qty.	Description
1	3-7898	4	Washer-Thrust	13:5	3220-20	1	Nut-Jam
2	110-4395	1	LH Turf Guard Bracket ASM	14	3231-2	2	Bolt-CARR
2:2	125-3318	3	Screw-Neck, Rib	15	104-8301	2	Nut-HF, NI
3	105-1024	1	Shaft-Guard, Turf	16	140-8619	1	Control Rod ASM
4	107-7581	4	Bushing-Flange, Keyed	16:1	140-8618	1	Rod-Control, Sensor
5	110-4393	1	Center Turf Guard Bracket ASM	16:2	2411-52	1	Bearing-Rod End, RH
5:2	125-3318	6	Screw-Neck, Rib	16:3	3220-2	1	Nut-Jam
6	110-4394	1	RH Turf Guard Bracket ASM	16:4	2411-53	1	Bearing-Rod End, LH
6:2	125-3318	3	Screw-Neck, Rib	16:5	3220-20	1	Nut-Jam
7	32121-25	2	Pin-Roll	17	3256-24	12	Washer-Flat
8	110-4274-03	4	Clamp-Guard, Turf	18	256-156	4	Bushing-Flange
9	92-3133	4	Spacer-Lever, Traction	19	139-7999	2	Lever ASM
10	322-7	4	Screw-HH	20	32151-61	2	Ring-Retaining
11	104-8300	4	Nut-HF, NI	21	122-0914	2	Sensor-Rotary, Body/Magnet Matched Set
12	140-8661-01	1	Sensor Bracket ASM	22	112-8617	2	Nut-Hex
13	140-2252	1	Control Rod ASM	23	3296-52	4	Nut-Lock, NI
13:1	139-7994	1	Rod-Control, Depth	24	140-8959	4	Screw-Fht
13:2	2411-52	1	Bearing-Rod End, RH	25	108473	2	Washer-Wave
13:3	3220-2	1	Nut-Jam				
13:4	2411-53	1	Bearing-Rod End, LH				



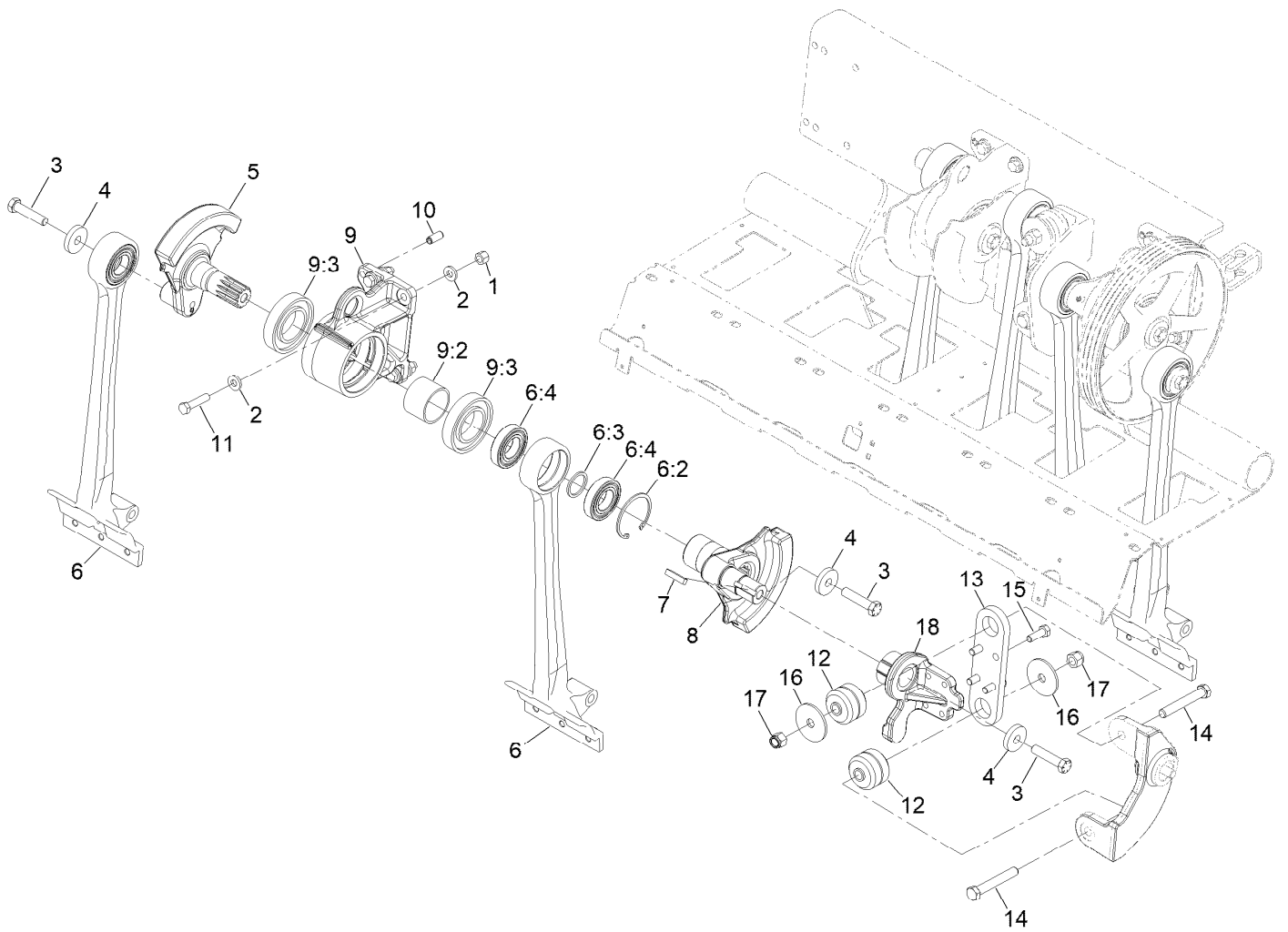
RH Crankarm Assembly

<i>Ref.</i>	<i>Part Number</i>	<i>Qty.</i>	<i>Description</i>	<i>Ref.</i>	<i>Part Number</i>	<i>Qty.</i>	<i>Description</i>
1	3296-23	4	Nut-Lock, NI	7	110-4546	1	Key-Square
2	107-3395	8	Washer-Hardened	8	110-4571	1	Crankarm-No. 2, 4, 6
3	110-4614	3	Screw-HH	9	115-4703	1	Housing ASM
4	105-1016	3	Washer-Hardened	9:2	105-1017	1	Spacer
5	110-4567	1	Coupling-No. 2	9:3	105-0965	2	Bearing-Ball
6	140-8809	2	Stomper Arm ASM	10	114-1458	1	Pulley-Crankshaft
6:2	32151-76	1	Ring-Retaining, Internal	11	325-9	4	Screw-HH
6:3	110-4557	1	Spacer-Bearing	12	105-1041	2	Pin-Spring
6:4	140-8808	2	Bearing				



Center Crankarm Assembly

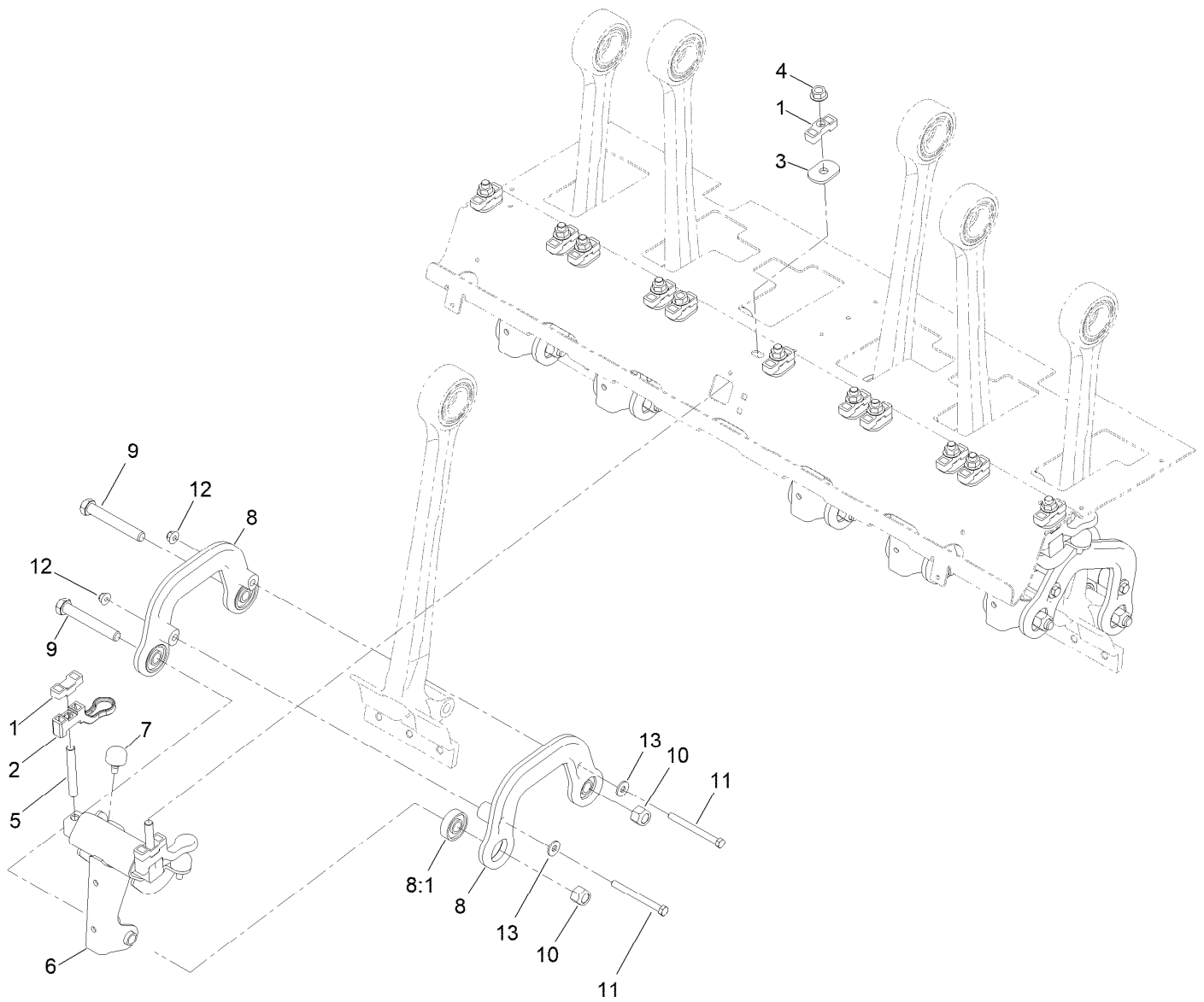
<i>Ref.</i>	<i>Part Number</i>	<i>Qty.</i>	<i>Description</i>	<i>Ref.</i>	<i>Part Number</i>	<i>Qty.</i>	<i>Description</i>
1	3296-23	4	Nut-Lock, NI	9:2	105-1017	1	Spacer
2	107-3395	8	Washer-Hardened	9:3	105-0965	2	Bearing-Ball
3	110-4614	3	Screw-HH	10	110-4572	1	Crankarm-No. 3, 5, 7
4	105-1016	3	Washer-Hardened	11	325-9	4	Screw-HH
5	110-4569	1	Coupling-No.4	12	105-1041	2	Pin-Spring
6	140-8809	2	Stomper Arm ASM	13	327-29	2	Screw-HH
6:2	32151-76	1	Ring-Retaining, Internal	14	105-0963	2	Mount-ISO, Crank
6:3	110-4557	1	Spacer-Bearing	15	325-6	4	Screw-HH
6:4	140-8808	2	Bearing	16	110-4549	2	Washer-Snubbing
7	110-4546	2	Key-Square	17	3296-53	2	Nut-Lock, NI
8	110-4571	1	Crankarm-No. 2, 4, 6	18	110-4568	1	Coupling-No. 3
9	115-4703	1	Housing ASM	19	105-0974-03	1	Plate-Coupling



LH Crankarm Assembly

Ref.	Part Number	Qty.	Description
1	3296-23	4	Nut-Lock, NI
2	107-3395	8	Washer-Hardened
3	110-4614	3	Screw-HH
4	105-1016	3	Washer-Hardened
5	110-4576	1	Crankarm-No.6
6	140-8809	2	Stomper Arm ASM
6:2	32151-76	1	Ring-Retaining, Internal
6:3	110-4557	1	Spacer-Bearing
6:4	140-8808	2	Bearing
7	110-4546	1	Key-Square
8	110-4572	1	Crankarm-No. 3, 5, 7
9	115-4703	1	Housing ASM

Ref.	Part Number	Qty.	Description
9:2	105-1017	1	Spacer
9:3	105-0965	2	Bearing-Ball
10	105-1041	2	Pin-Spring
11	325-9	4	Screw-HH
12	105-0963	2	Mount-ISO, Crank
13	105-0974-03	1	Plate-Coupling
14	327-29	2	Screw-HH
15	325-6	4	Screw-HH
16	110-4549	2	Washer-Snubbing
17	3296-53	2	Nut-Lock, NI
18	110-4570	1	Coupling-N0.5



Damper Link Assembly

Ref.	Part Number	Qty.	Description
1	110-4507	24	Standoff-Rotolink
2	110-4506	12	Bumper-Rotolink
3	107-7543	12	Washer-Hardened
4	32128-23	12	Nut-HF
5	110-4504	12	Stud
6	106-8922	6	Damper
7	87-2440	12	Bumper-Rubber
8	140-6194	12	Link ASM-Damper
8:1	251-311	2	Bearing-Ball
9	327-29	12	Screw-HH
10	3296-53	12	Nut-Lock, NI
11	323-16	12	Screw-HH
12	104-8301	12	Nut-HF, NI
13	80-6990	12	Washer-Hardened

Attachments and Accessories

For 09960 ProCore 648s Aerator

Product Name	Model/Part
Windrower Kit	09220
Tire Scraper Kit.....	09225
Rear Roller Kit	09234
2 x 5 Mini Tine Head	09736
1 x 6 Mini Tine Head	09737
Needle Tine Head	09739
3/4in Three-Tine Head	09794
3/4in Four-Tine Head	09796
7/8in Three-Tine Head	09797
Light Kit-Procore 648s (09960)	09962
Yellow Hydraulic Fluid Cap (Tethered)	107-2174
Premium All Purpose Grease (Tube)	108-1190
Inline Fuel Filter	115-7854
Turf Guard 3 Tine (Short)	120-1044
Turf Guard 4 Tine (Short)	120-1045
4-Tine Turf Guard (long)	120-1046
Turf Guard 5 Tine (Short)	120-1047
Turf Guard 6 Tine (Short)	120-1050
3-Tine Turf Guard (long)	120-1051
5-Tine Turf Guard (long)	120-1052
6-Tine Turf Guard (long)	120-1053
Premium Engine Oil 10w30 (55 Gallon Drum)	121-6392
Premium Engine Oil 10w30 (5 Gallon Pail)	121-6393
Head Bearing Kit.....	131-4876
PX Hydraulic Fluid (5 Gal)	133-8086
PX Hydraulic Fluid (55 Gal).....	133-8087
Screen-Silencer, Exhaust	93-9911

Notes:



Count on it.