



Count on it.

Parts Catalog

TimeCutter® 6000

Riding Mower

Model No. 75760—Serial No. 409290000 and Up



Ordering Replacement Parts

To order replacement parts, please supply the part number, the quantity, and the description of each part desired.

Understanding Reference Numbers

Each identified part in an illustration has a reference number. The reference number for a part also appears in the parts list, along with other information about the part.

This catalog uses two special reference number formats, one to indicate parts in a service assembly and another to indicate the quantity of a given part in an illustration.

Service Assembly Reference Numbers

Parts in service assemblies have reference numbers in the form a:b. The a represents the reference number of the entire service assembly and the b represents a sequential number unique to each part within the service assembly.

For example, a wheel assembly might be identified by reference number 6, the tire by 6:1, the valve by 6:2, and the wheel by 6:3. When you order the assembly identified by reference number 6, you receive all parts identified by reference numbers 6:1, 6:2, and 6:3. However, you may also order any part individually. Reference numbers of this type appear in illustration and in parts lists.

Reference Numbers Indicating Quantity

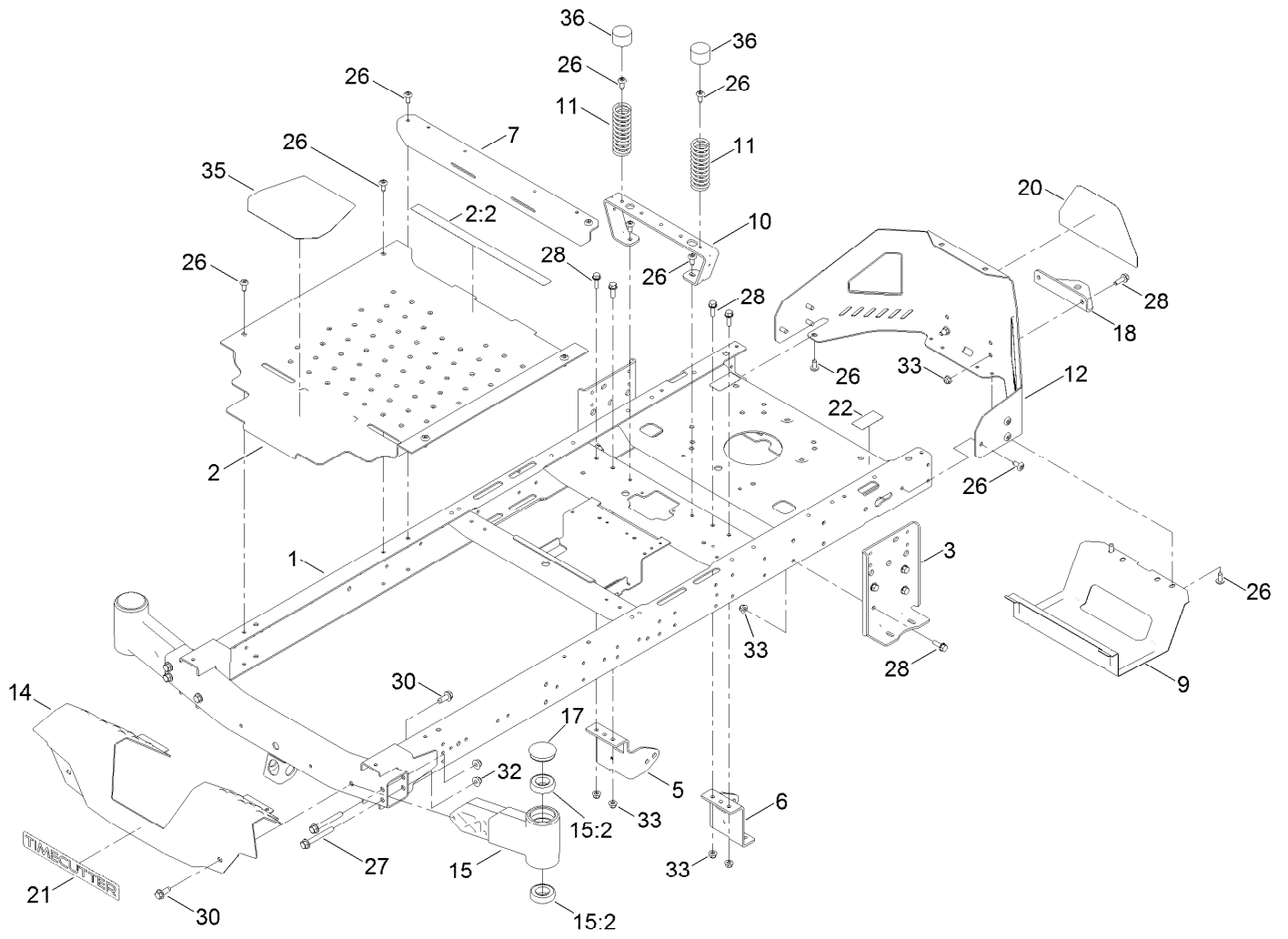
In an illustration, if a reference number indicates more than one part, the reference number has the form nX y. The n represents the quantity of the part, the X is the multiplication symbol, and the y represents the reference number.

For example, in an illustration, the reference number 2X 37 means that two of the parts identified by reference number 37 are indicated.

Contents

| | |
|---------------------------------------------|----|
| Frame Assembly | 4 |
| Deck Lift Assembly | 6 |
| Tire and Caster Assembly | 8 |
| Traction Drive Assembly | 10 |
| RH Hydro Transmission Assembly No. 140-8300 | 12 |
| LH Hydro Transmission Assembly No. 140-8301 | 14 |
| Parking Brake Assembly | 16 |
| Rear Tire Assembly | 18 |
| Seat Pan Assembly | 20 |
| Seat Assembly No. 140-5043 | 22 |
| Motion Control Assembly | 24 |
| Engine and Muffler Assembly | 26 |
| Fuel System Assembly | 28 |
| Carburetor Assembly | 30 |
| Air Intake and Filtration Assembly | 32 |
| Ignition and Cooling Fan Assembly | 34 |
| Crankcase and Crankshaft Assembly | 36 |
| Governor Control Assembly | 38 |
| Piston and Cylinder Head Assembly | 40 |
| Blower Housing Assembly | 42 |
| Gasket and Seal Kit | 44 |
| Body Styling and Fuel Pod Assembly | 46 |
| Electrical Assembly | 48 |
| 60 Inch Deck and Decal Assembly | 50 |
| Frame Decal Assembly | 52 |
| Clutch Assembly | 54 |
| Attachments and Accessories | 56 |

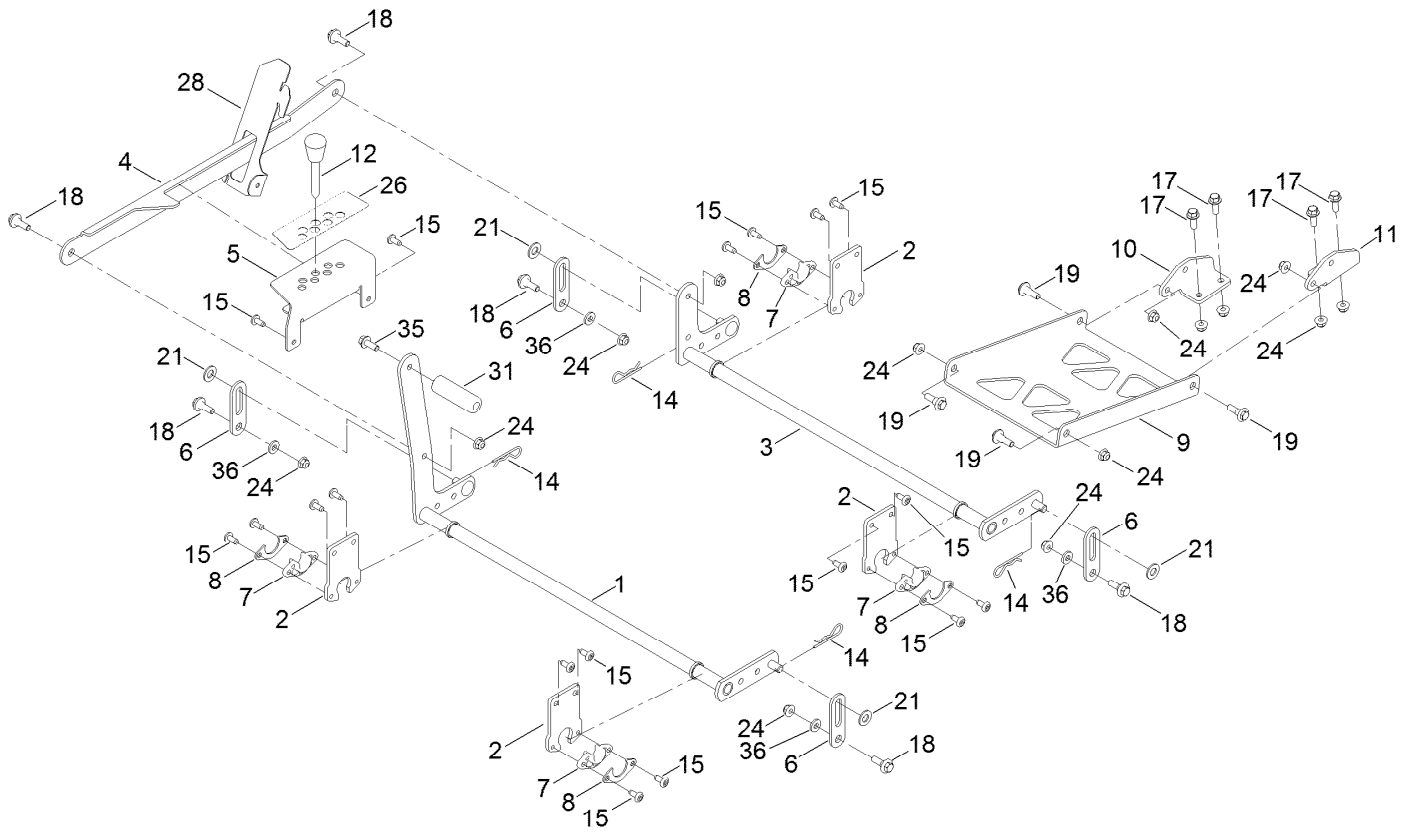
Frame Assembly



Frame Assembly (continued)

| <i>Ref.</i> | <i>Part Number</i> | <i>Qty.</i> | <i>Description</i> | <i>Ref.</i> | <i>Part Number</i> | <i>Qty.</i> | <i>Description</i> |
|-------------|--------------------|-------------|----------------------------|-------------|--------------------|-------------|--------------------|
| 1 | 137-9820-01 | 1 | Frame Assembly | 17 | 138-7200 | 2 | Cap-Grease |
| 2 | 140-5045 | 1 | Pan-Floor ASM | 18 | 117-1232-03 | 1 | Bracket-Hitch |
| 2:2 | 144-5288 | 1 | Decal-Warning | 20 | 139-5890 | 1 | Decal-Timecutter |
| 3 | 138-7520-01 | 2 | Plate-Mount, Hydro | 21 | 139-2387 | 1 | Decal-Timecutter |
| 5 | 137-7020-01 | 1 | Mount-Hydro, Front (Right) | 22 | 121-2989 | 2 | Decal-Bypass |
| 6 | 139-3211-01 | 1 | Mount-Hydro, Front (Left) | 26 | 138-9753 | 20 | Screw |
| 7 | 138-9791-01 | 1 | Brace-Cross | 27 | 139-2429 | 4 | Screw-HHF |
| 9 | 138-0867-03 | 1 | Guard-Muffler | 28 | 3234-29 | 14 | Screw-HHF |
| 10 | 138-6036-03 | 1 | Support-Seat | 30 | 139-2428 | 4 | Screw-HWH |
| 11 | 138-2548 | 2 | Spring-Compression | 32 | 139-2430 | 4 | Nut-HF, NI |
| 12 | 138-9820-03 | 1 | Guard-Engine | 33 | 104-8300 | 14 | Nut-HF, NI |
| 14 | 138-9827-01 | 1 | Footrest | 35 | 139-3220 | 1 | Tread-Step |
| 15 | 140-2097 | 2 | Axle Stub ASM | 36 | 701178 | 2 | Cap-Protector |
| 15:2 | 109-3678 | 2 | Bearing-Ball | | | | |

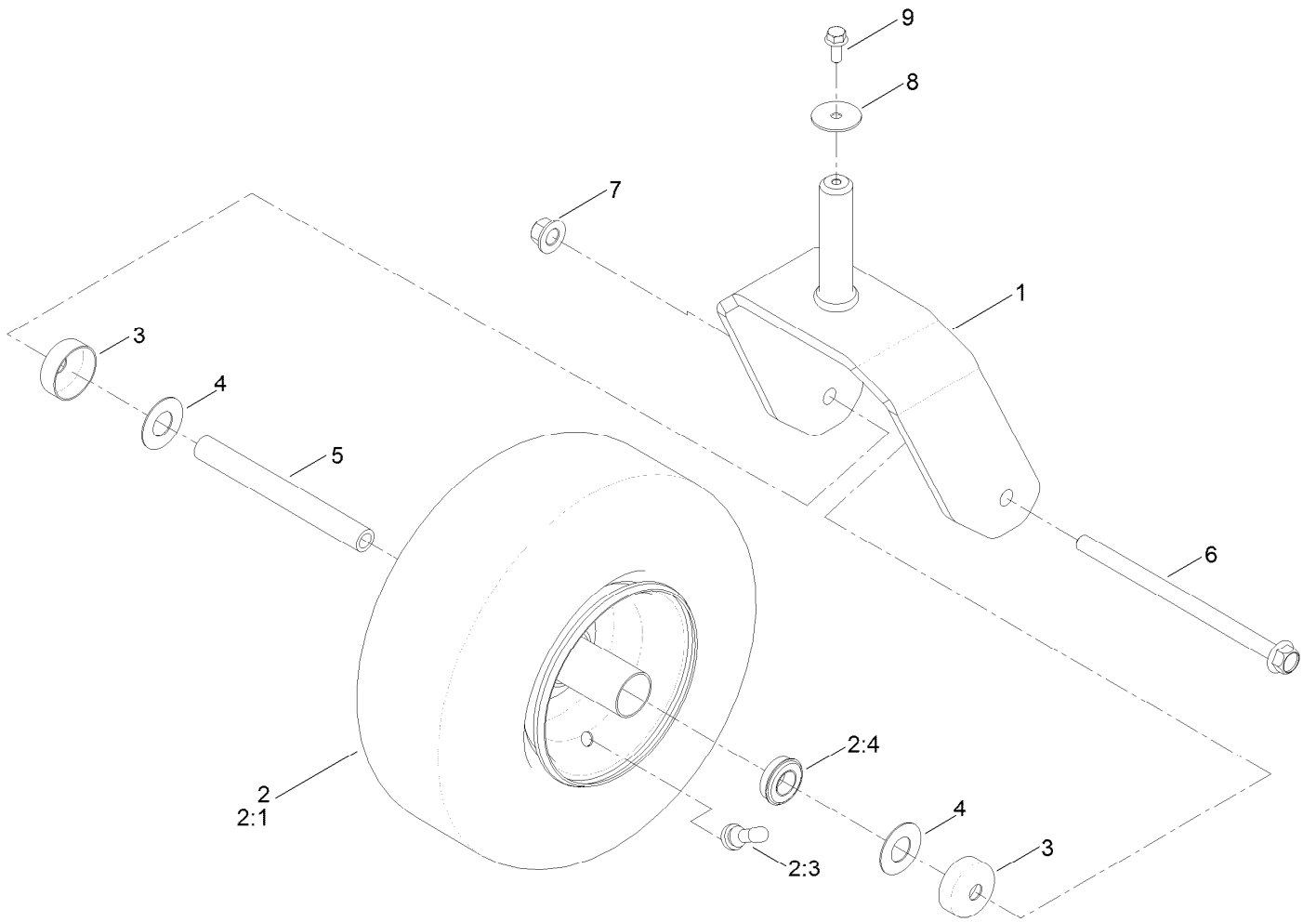
Deck Lift Assembly



Deck Lift Assembly (continued)

| <i>Ref.</i> | <i>Part Number</i> | <i>Qty.</i> | <i>Description</i> | <i>Ref.</i> | <i>Part Number</i> | <i>Qty.</i> | <i>Description</i> |
|-------------|--------------------|-------------|----------------------|-------------|--------------------|-------------|---------------------|
| 1 | 138-2503-03 | 1 | Pivot Front ASM | 14 | 1-806005 | 4 | Pin-Cotter |
| 2 | 138-9804-03 | 4 | Support-Cross, Shaft | 15 | 138-9753 | 18 | Screw |
| 3 | 138-2504-03 | 1 | Rear Pivot ASM | 17 | 3234-42 | 4 | Screw-HHF |
| 4 | 137-5091-03 | 1 | Link-HOC | 18 | 137-9847 | 6 | Screw-Shoulder |
| 5 | 137-5092-03 | 1 | Bracket-HOC | 19 | 109-9840 | 4 | Screw-Shoulder, HHF |
| 6 | 137-7001-03 | 4 | Link-Decklift | 21 | 3256-26 | 4 | Washer-Flat |
| 7 | 139-5872 | 4 | Bearing-Flange | 24 | 104-8301 | 14 | Nut-HF, NI |
| 8 | 138-7204 | 4 | Gusset-Deck Lift | 26 | 139-5892 | 1 | Decal-HOC |
| 9 | 139-2435-03 | 1 | Pan-Deck Pivot | 28 | 139-5804-03 | 1 | Bracket-HOC |
| 10 | 139-3200-01 | 1 | Mount-Pan, LH | 31 | 139-7452 | 1 | Pedal-Foot Lift |
| 11 | 139-3201-01 | 1 | Mount-Pan, RH | 35 | 139-2597 | 1 | Screw-HHF |
| 12 | 140-2146 | 1 | HOC Pin ASM | 36 | 43-0940 | 4 | Spacer |

Tire and Caster Assembly

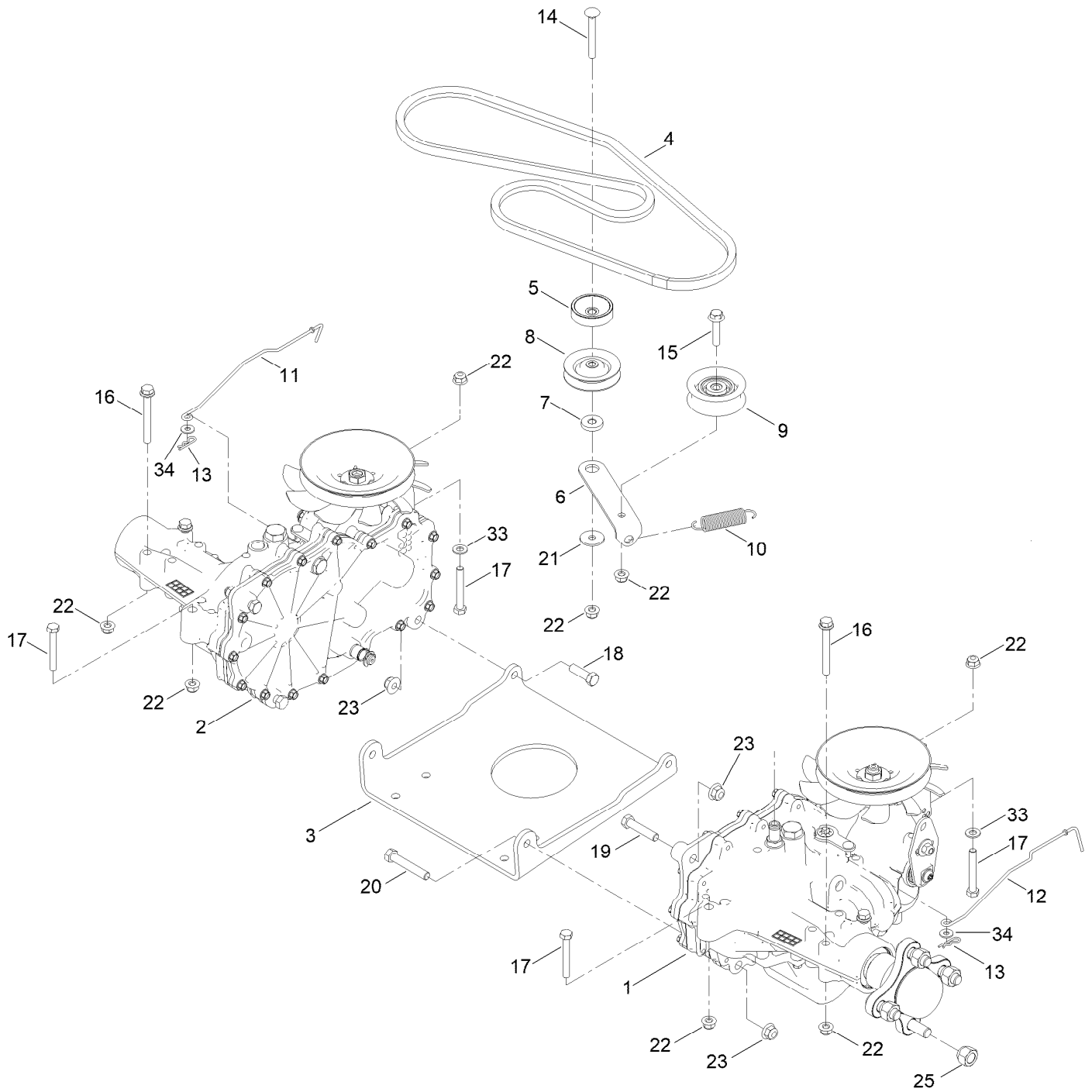


Tire and Caster Assembly (continued)

| <i>Ref.</i> | <i>Part Number</i> | <i>Qty.</i> | <i>Description</i> | <i>Ref.</i> | <i>Part Number</i> | <i>Qty.</i> | <i>Description</i> |
|-------------|--------------------|-------------|--------------------|-------------|--------------------|-------------|--------------------|
| 1 | 133-4375-01 | 2 | Fork ASM | 4 | 136-5590 | 4 | Washer |
| 2 | 139-5844 | 2 | Tire ASM | 5 | 133-4487 | 2 | Spanner-Wheel |
| 2:1 | 125-5581 | 1 | Tire | 6 | 126-5389 | 2 | Screw-HHF |
| 2:3 | 232-27 | 1 | Stem-Valve | 7 | 99-5107 | 2 | Nut-Lock |
| 2:4 | 136-4190 | 2 | Bearing | 8 | 3256-68 | 2 | Washer-Flat |
| 2:99 | 232-46 | 1 | Tube-Inner ● | 9 | 3234-47 | 2 | Screw-HHF |
| 3 | 138-7208 | 4 | Guard-Seal | | | | |

● Not illustrated

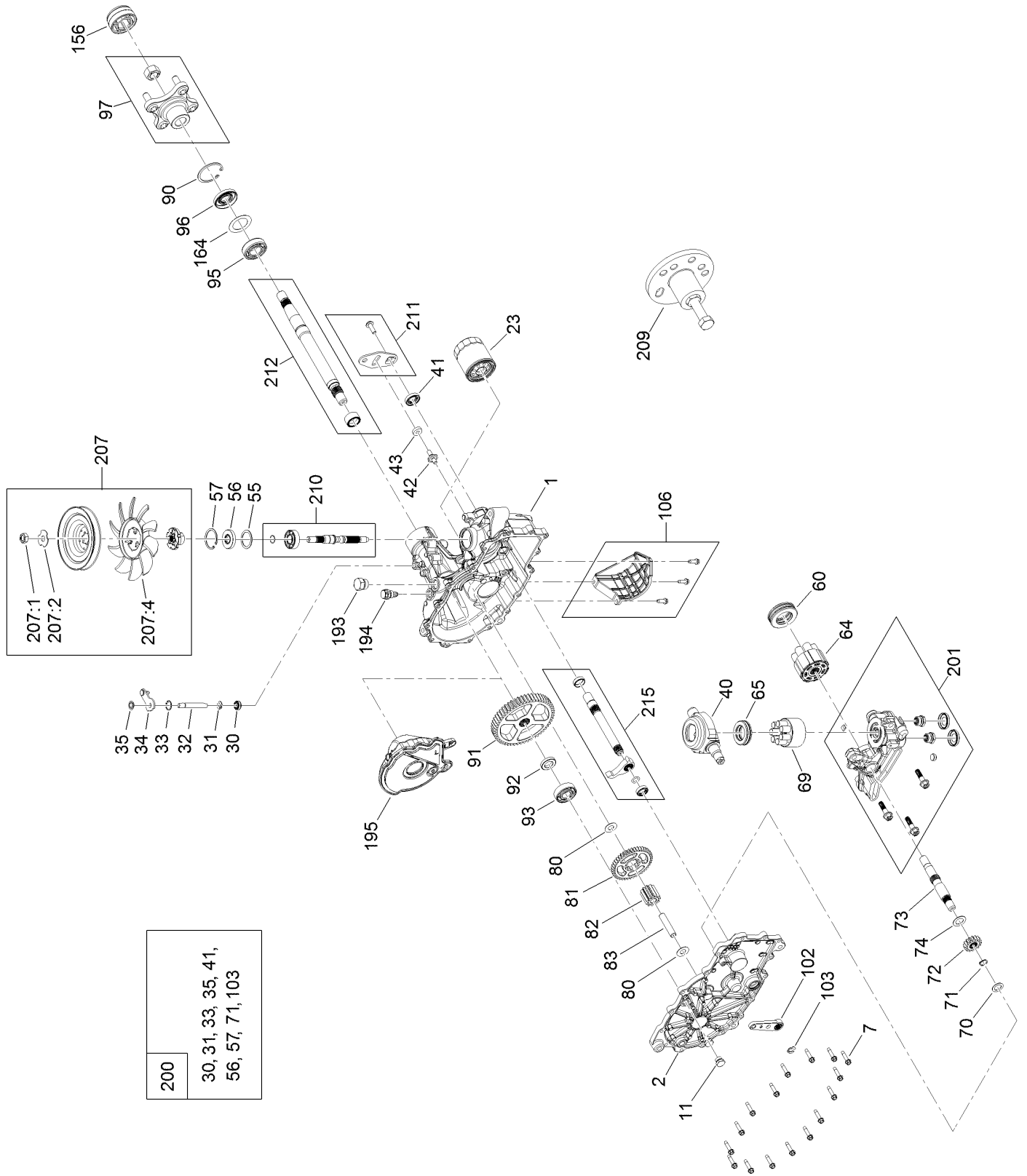
Traction Drive Assembly



Traction Drive Assembly (continued)

| <i>Ref.</i> | <i>Part Number</i> | <i>Qty.</i> | <i>Description</i> | <i>Ref.</i> | <i>Part Number</i> | <i>Qty.</i> | <i>Description</i> |
|-------------|--------------------|-------------|------------------------------|-------------|--------------------|-------------|--------------------|
| 1 | 140-8300 | 1 | RH Hydro Transmission ASM | 13 | 3290-307 | 2 | Pin-Cotter |
| 2 | 140-8301 | 1 | LH Hydro Transmission ASM | 14 | 3230-8 | 1 | Screw-CARR |
| 3 | 137-7014-01 | 1 | Plate- Hydro | 15 | 115-1794 | 1 | Screw-HHF |
| 4 | 140-2700 | 1 | V-Belt | 16 | 138-7590 | 4 | Screw-HHF |
| 5 | 138-9809 | 1 | Spacer | 17 | 322-11 | 4 | Screw-HH |
| 6 | 138-7276 | 1 | Arm-Idler | 18 | 323-7 | 2 | Screw-HH |
| 7 | 138-7277 | 1 | Spacer-Arm, Idler | 19 | 323-9 | 2 | Screw-HH |
| 8 | 68-0030 | 1 | Idler | 20 | 323-11 | 2 | Screw-HH |
| 9 | 138-7597 | 1 | Pulley-Idler, Flat | 21 | 5-4460 | 1 | Washer-Pivot |
| 10 | 137-7040 | 1 | Spring-Return, Pedal | 22 | 104-8300 | 10 | Nut-HF, NI |
| 11 | 130-7047 | 1 | Rod-Bypass, RH | 23 | 104-8301 | 6 | Nut-HF, NI |
| 12 | 130-7048 | 1 | Rod-Bypass, LH | 25 | 242-50 | 8 | Nut-Lug |
| | | | | 33 | 3256-23 | 2 | Washer-Plain |
| | | | | 34 | 119-8952 | 2 | Washer |

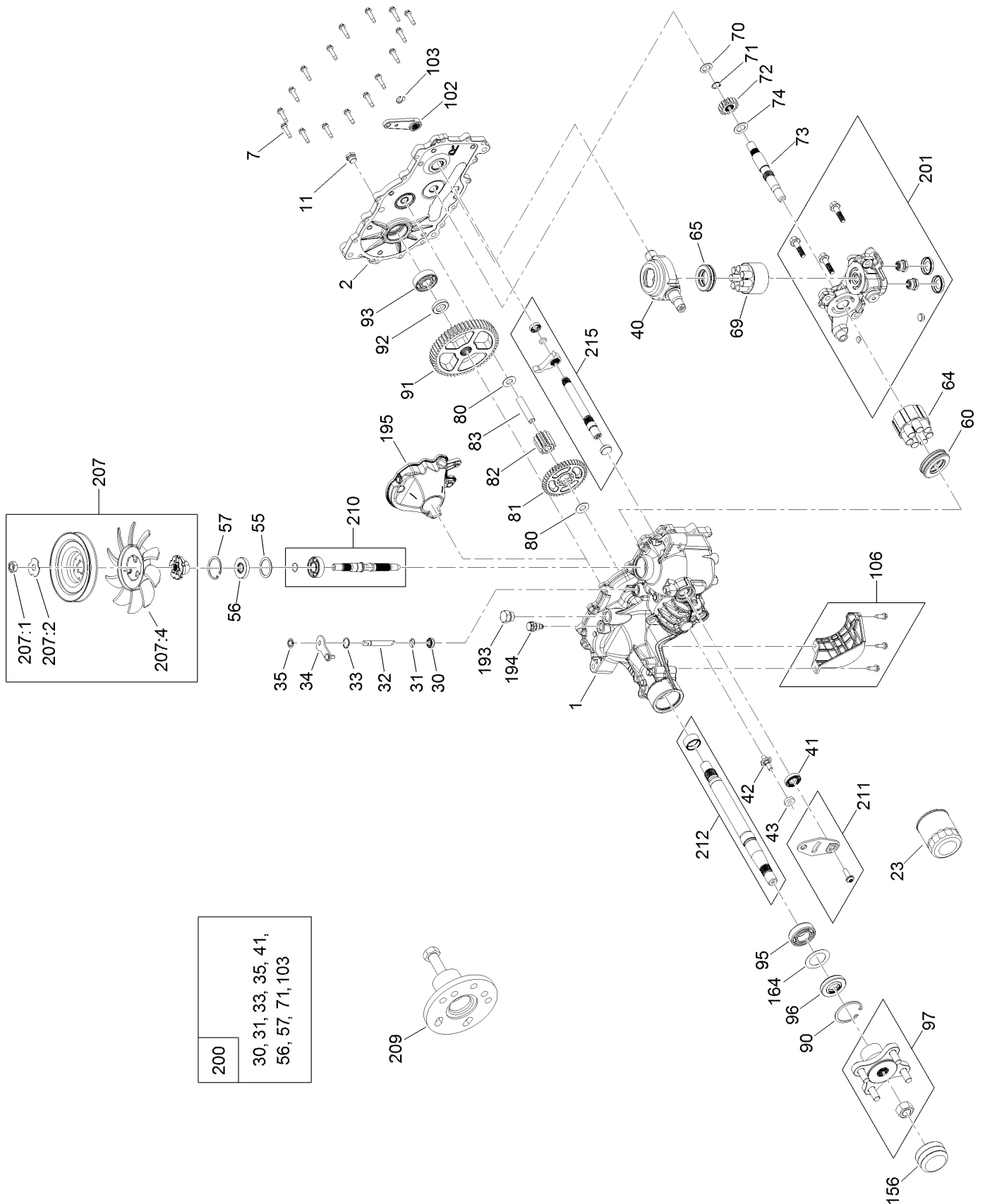
RH Hydro Transmission Assembly No. 140-8300



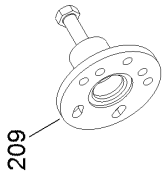
RH Hydro Transmission Assembly No. 140-8300 (continued)

| <i>Ref.</i> | <i>Part Number</i> | <i>Qty.</i> | <i>Description</i> | <i>Ref.</i> | <i>Part Number</i> | <i>Qty.</i> | <i>Description</i> |
|-------------|--------------------|-------------|-----------------------------|-------------|--------------------|-------------|-----------------------------------|
| 1 | 140-8348 | 1 | LH Control Main Housing Kit | 82 | 114-1693 | 1 | Gear-11T |
| 2 | 140-8350 | 1 | LH Side Cover Kit | 83 | 104-5329 | 1 | Pin-Jackshaft |
| 7 | 117-5359 | 16 | Screw-HHF | 90 | 104-2169 | 1 | Ring-Retaining |
| 11 | 135-1140 | 1 | Plug-Straight | 91 | 114-1694 | 1 | Gear-54T |
| 23 | 109-3321 | 1 | Element-Oil Filter, HYD | 92 | 120-7975 | 1 | Spacer |
| 30 | 139-7497 | 1 | Seal-Lip | 93 | 137-2004 | 1 | Bearing Kit |
| 31 | 106-8677 | 1 | Ring-Retaining, External | 95 | 120-7976 | 1 | Bearing-Ball |
| 32 | 114-1685 | 1 | Rod-Bypass | 96 | 104-2144 | 1 | Seal |
| 33 | 106-8679 | 1 | Ring-Retaining, Internal | 97 | 109-5939 | 1 | Hub Kit |
| 34 | 107-2490 | 1 | Arm-Bypass | 102 | 125-0021 | 1 | Handle-Brake |
| 35 | 106-8681 | 1 | Ring-Retaining, External | 103 | 131-0906 | 1 | Ring-Retaining, EXT |
| 40 | 104-5304 | 1 | Swashplate-Trunnion | 106 | 139-7498 | 1 | Filter Guard Kit |
| 41 | 104-5313 | 1 | Seal-Lip | 156 | 115-5057 | 1 | Cover-Nut, Axle |
| 42 | 104-2116 | 1 | Stud | 164 | 121-5745 | 1 | Spacer |
| 43 | 112-9853 | 1 | Puck-Friction | 193 | 140-8343 | 1 | Plug |
| 55 | 104-5308 | 1 | Spacer | 194 | 140-8356 | 1 | Breather Fitting ASM |
| 56 | 104-5310 | 1 | Seal-Lip | 195 | 140-8358 | 1 | LH Internal Expansion Tank ASM |
| 57 | 104-5309 | 1 | Ring-Retaining | 200 | 140-8351 | 1 | Seal Kit |
| 60 | 112-4154 | 1 | Bearing-Thrust | 201 | 125-0036 | 1 | Center Section Kit |
| 64 | 139-4074 | 1 | Cylinder Block ASM Kit | 207 | 135-7343 | 1 | Fan And Pulley Kit |
| 65 | 94-6922 | 1 | Bearing-Thrust | 207:1 | 116-9714 | 1 | Nut-HJ |
| 69 | 110-8561 | 1 | Pump Block ASM | 207:2 | 116-9708 | 1 | Washer-Slotted |
| 70 | 104-5339 | 1 | Washer-Flat | 207:4 | 135-7364 | 1 | Fan 7.0 X 10 Blade |
| 71 | 104-5340 | 1 | Ring-Retaining | 209 | 114-8467 | 1 | Puller-Hub, 4 Bolt |
| 72 | 121-5749 | 1 | Gear-16T | 210 | 140-8344 | 1 | Input Shaft Kit |
| 73 | 114-1691 | 1 | Shaft-Motor | 211 | 117-5362 | 1 | Control Arm Kit |
| 74 | 104-5360 | 1 | Washer | 212 | 114-8470 | 1 | Axle Shaft Kit |
| 80 | 94-1933 | 2 | Washer | 215 | 140-8353 | 1 | Inboard Kit |
| 81 | 125-0000 | 1 | Gear-43T | | | | |

LH Hydro Transmission Assembly No. 140-8301



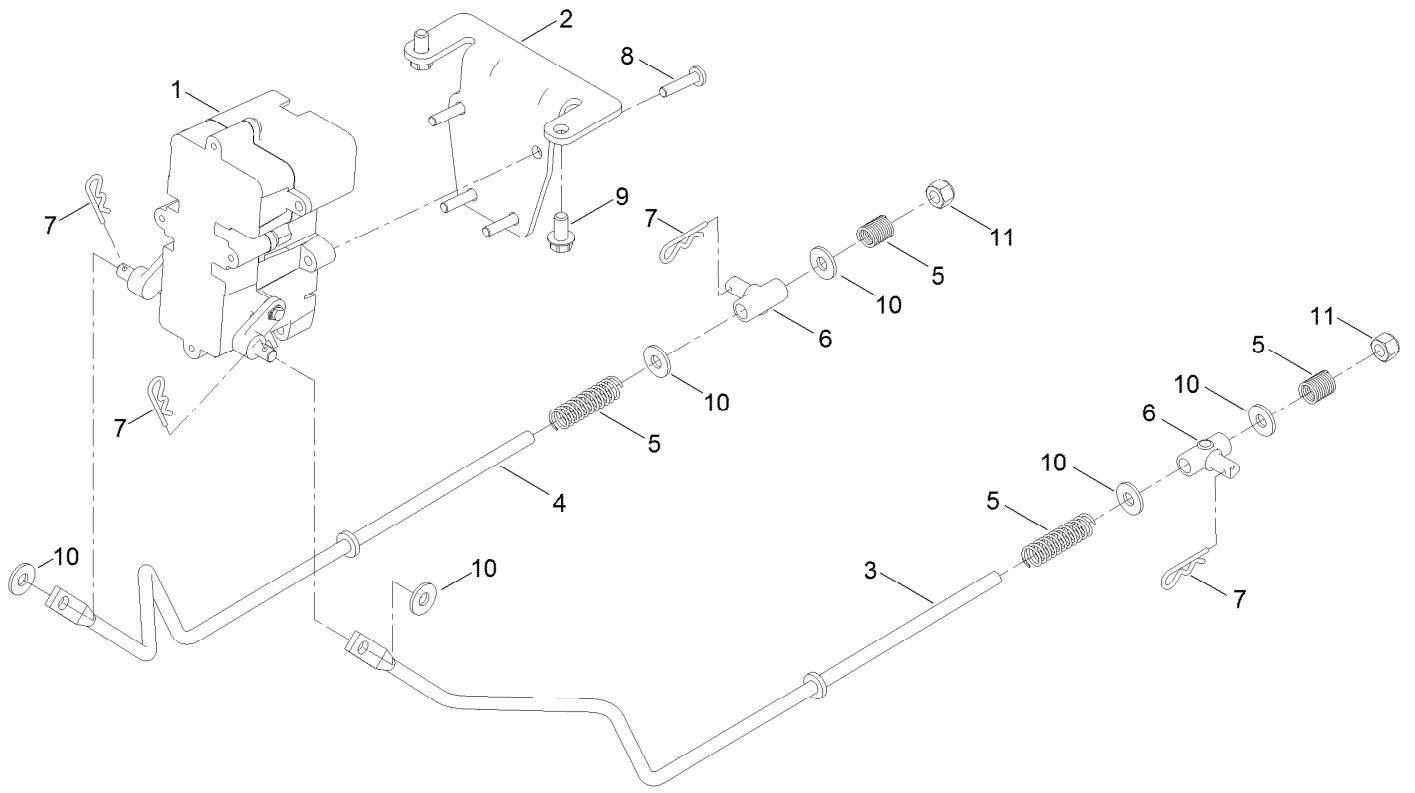
- | |
|----------------------------------------|
| 200 |
| 30, 31, 33, 35, 41, 56, 57, 71, 103 |



LH Hydro Transmission Assembly No. 140-8301 (continued)

| <i>Ref.</i> | <i>Part Number</i> | <i>Qty.</i> | <i>Description</i> | <i>Ref.</i> | <i>Part Number</i> | <i>Qty.</i> | <i>Description</i> |
|-------------|--------------------|-------------|-----------------------------|-------------|--------------------|-------------|--------------------------------|
| 1 | 140-8346 | 1 | RH Control Main Housing Kit | 82 | 114-1693 | 1 | Gear-11T |
| 2 | 140-8349 | 1 | RH Side Cover Kit | 83 | 104-5329 | 1 | Pin-Jackshaft |
| 7 | 117-5359 | 16 | Screw-HHF | 90 | 104-2169 | 1 | Ring-Retaining |
| 11 | 135-1140 | 1 | Plug-Straight | 91 | 114-1694 | 1 | Gear-54T |
| 23 | 109-3321 | 1 | Element-Oil Filter, HYD | 92 | 120-7975 | 1 | Spacer |
| 30 | 139-7497 | 1 | Seal-Lip | 93 | 137-2004 | 1 | Bearing Kit |
| 31 | 106-8677 | 1 | Ring-Retaining, External | 95 | 120-7976 | 1 | Bearing-Ball |
| 32 | 114-1685 | 1 | Rod-Bypass | 96 | 104-2144 | 1 | Seal |
| 33 | 106-8679 | 1 | Ring-Retaining, Internal | 97 | 109-5939 | 1 | Hub Kit |
| 34 | 112-9852 | 1 | Arm-Bypass | 102 | 125-0021 | 1 | Handle-Brake |
| 35 | 106-8681 | 1 | Ring-Retaining, External | 103 | 131-0906 | 1 | Ring-Retaining, EXT |
| 40 | 104-5304 | 1 | Swashplate-Trunnion | 106 | 139-7499 | 1 | Filter Guard Kit |
| 41 | 104-5313 | 1 | Seal-Lip | 156 | 115-5057 | 1 | Cover-Nut, Axle |
| 42 | 104-2116 | 1 | Stud | 164 | 121-5745 | 1 | Spacer |
| 43 | 112-9853 | 1 | Puck-Friction | 193 | 140-8343 | 1 | Plug |
| 55 | 104-5308 | 1 | Spacer | 194 | 140-8356 | 1 | Breather Fitting ASM |
| 56 | 104-5310 | 1 | Seal-Lip | 195 | 140-8357 | 1 | RH Internal Expansion Tank ASM |
| 57 | 104-5309 | 1 | Ring-Retaining | 200 | 140-8351 | 1 | Seal Kit |
| 60 | 112-4154 | 1 | Bearing-Thrust | 201 | 132-0940 | 1 | RH Center Section Kit |
| 64 | 139-4074 | 1 | Cylinder Block ASM Kit | 207 | 135-7343 | 1 | Fan And Pulley Kit |
| 65 | 94-6922 | 1 | Bearing-Thrust | 207:1 | 116-9714 | 1 | Nut-HJ |
| 69 | 110-8561 | 1 | Pump Block ASM | 207:2 | 116-9708 | 1 | Washer-Slotted |
| 70 | 104-5339 | 1 | Washer-Flat | 207:4 | 135-7364 | 1 | Fan 7.0 X 10 Blade |
| 71 | 104-5340 | 1 | Ring-Retaining | 209 | 114-8467 | 1 | Puller-Hub, 4 Bolt |
| 72 | 121-5749 | 1 | Gear-16T | 210 | 140-8344 | 1 | Input Shaft Kit |
| 73 | 114-1691 | 1 | Shaft-Motor | 211 | 117-5362 | 1 | Control Arm Kit |
| 74 | 104-5360 | 1 | Washer | 212 | 114-8470 | 1 | Axle Shaft Kit |
| 80 | 94-1933 | 2 | Washer | 215 | 140-8352 | 1 | Inboard Kit |
| 81 | 125-0000 | 1 | Gear-43T | | | | |

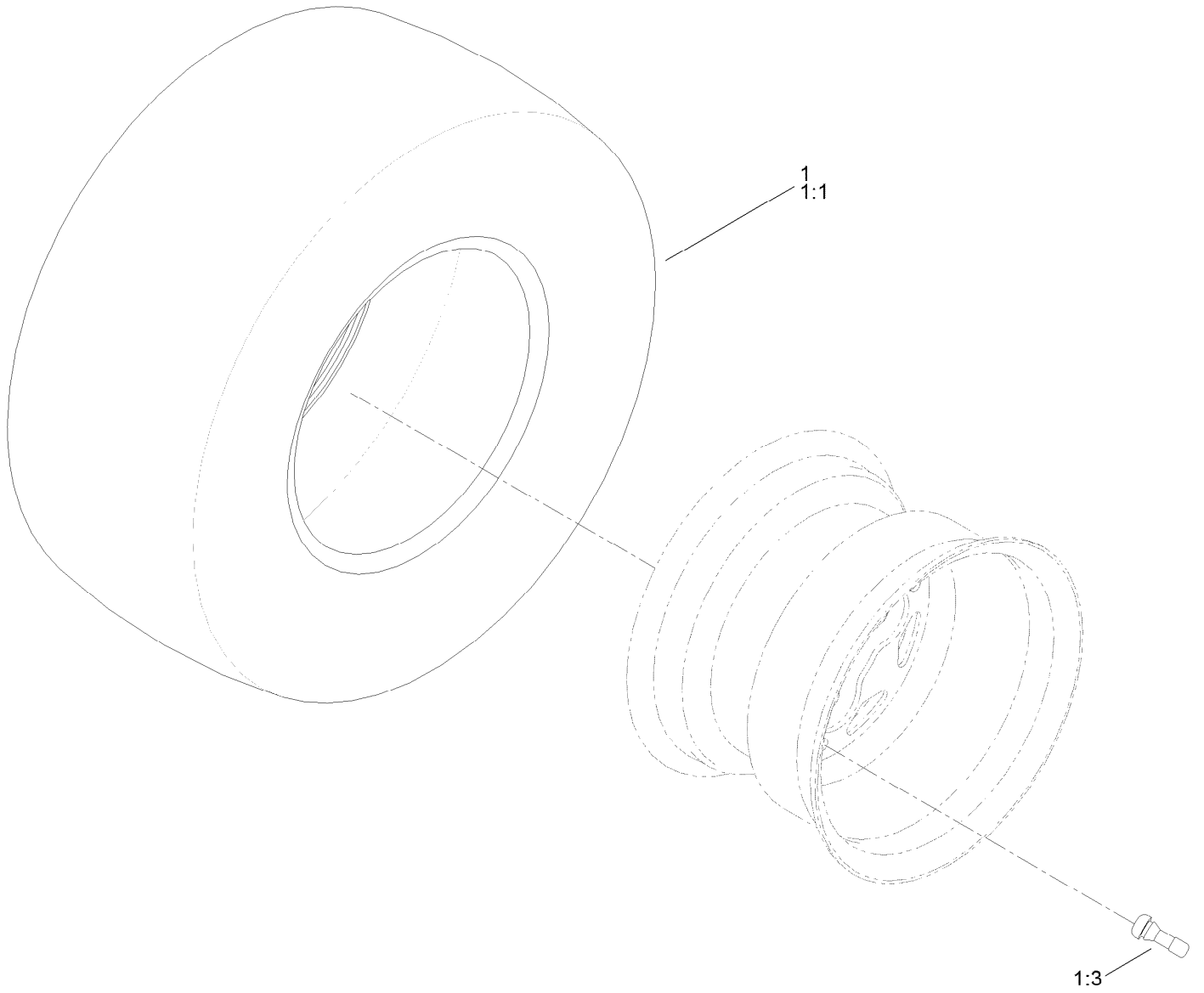
Parking Brake Assembly



Parking Brake Assembly (continued)

| <i>Ref.</i> | <i>Part Number</i> | <i>Qty.</i> | <i>Description</i> | <i>Ref.</i> | <i>Part Number</i> | <i>Qty.</i> | <i>Description</i> |
|-------------|--------------------|-------------|----------------------|-------------|--------------------|-------------|--------------------|
| 1 | 138-2514 | 1 | Brake Box ASM | 7 | 3290-307 | 4 | Pin-Cotter |
| 2 | 133-9284-03 | 1 | Bracket-Mount, Brake | 8 | 32144-36 | 4 | Screw-PPH |
| 3 | 138-7524 | 1 | Rod-Brake,LH | 9 | 32144-4 | 2 | Screw-HWH |
| 4 | 138-7523 | 1 | Rod-Brake,RH | 10 | 119-8952 | 6 | Washer |
| 5 | 121-5654 | 4 | Spring-Compression | 11 | 3296-42 | 2 | Nut-Lock, NI |
| 6 | 119-8857 | 2 | Mount-Pivot | | | | |

Rear Tire Assembly



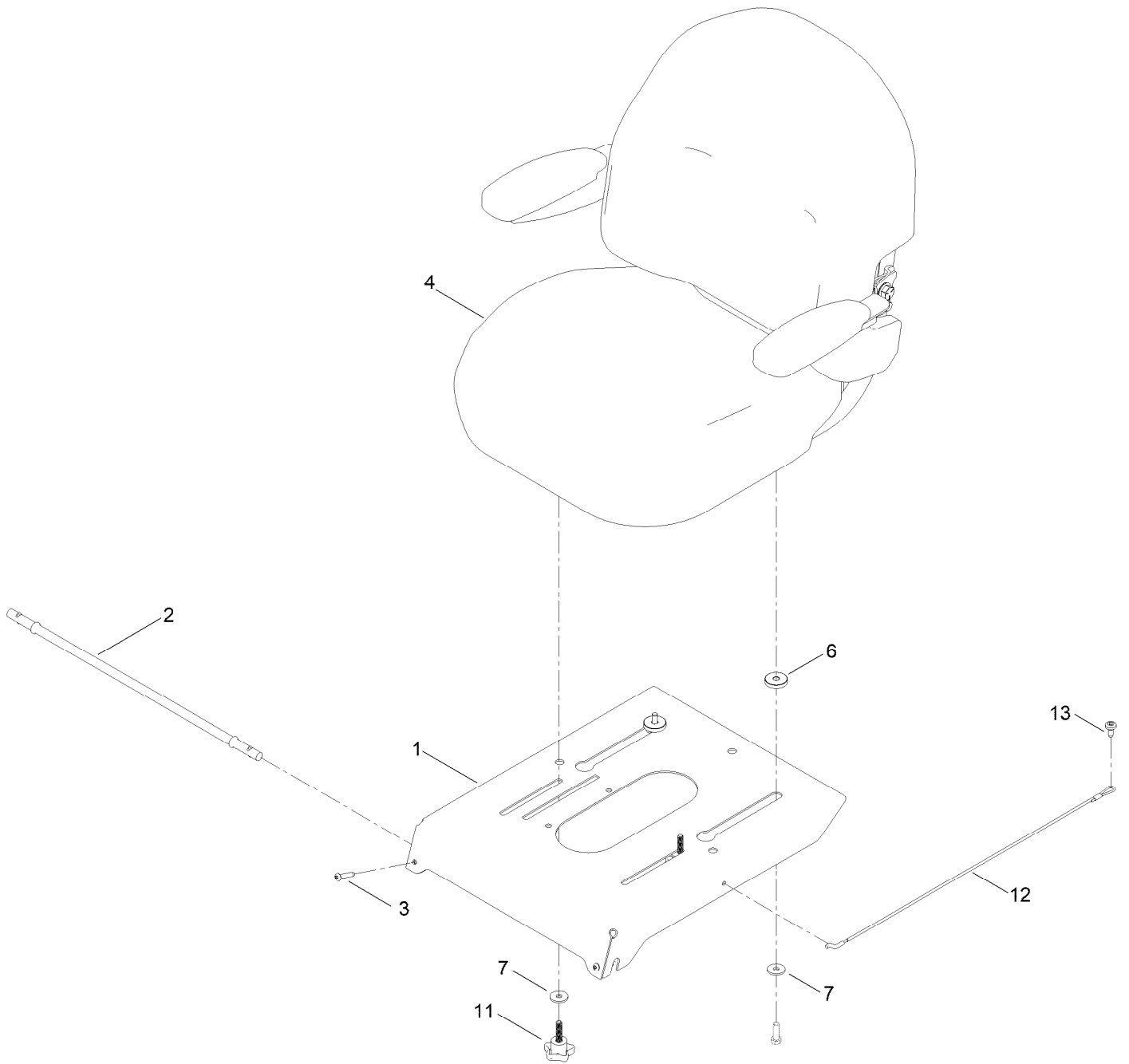
Rear Tire Assembly (continued)

| <i>Ref.</i> | <i>Part Number</i> | <i>Qty.</i> | <i>Description</i> |
|-------------|--------------------|-------------|--------------------|
| 1 | 139-5849 | 2 | Tire ASM |
| 1:1 | 133-9293 | 1 | Tire |

| <i>Ref.</i> | <i>Part Number</i> | <i>Qty.</i> | <i>Description</i> |
|-------------|--------------------|-------------|--------------------|
| 1:3 | 232-27 | 1 | Stem-Valve |
| 1:99 | 105-4070 | 1 | Tube-Inner ● |

● Not illustrated

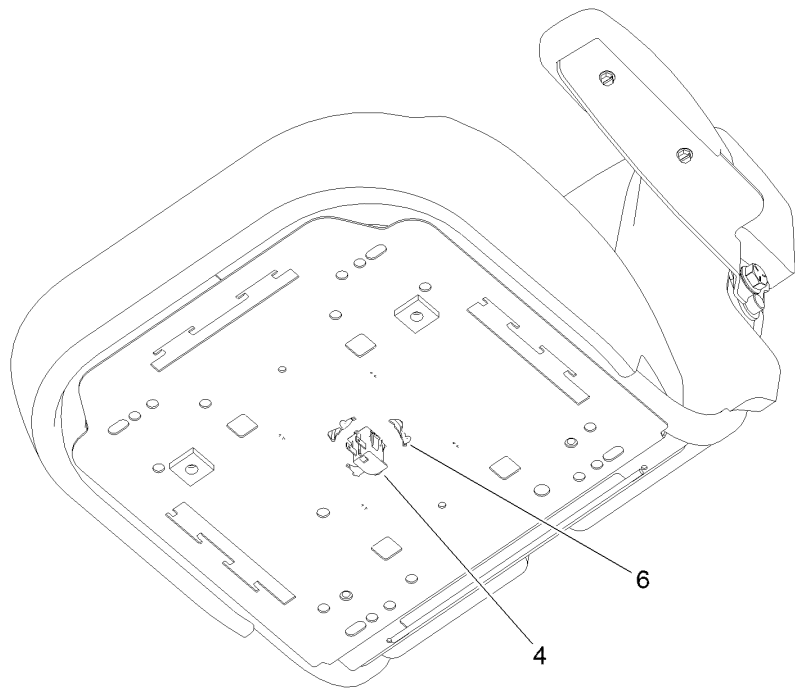
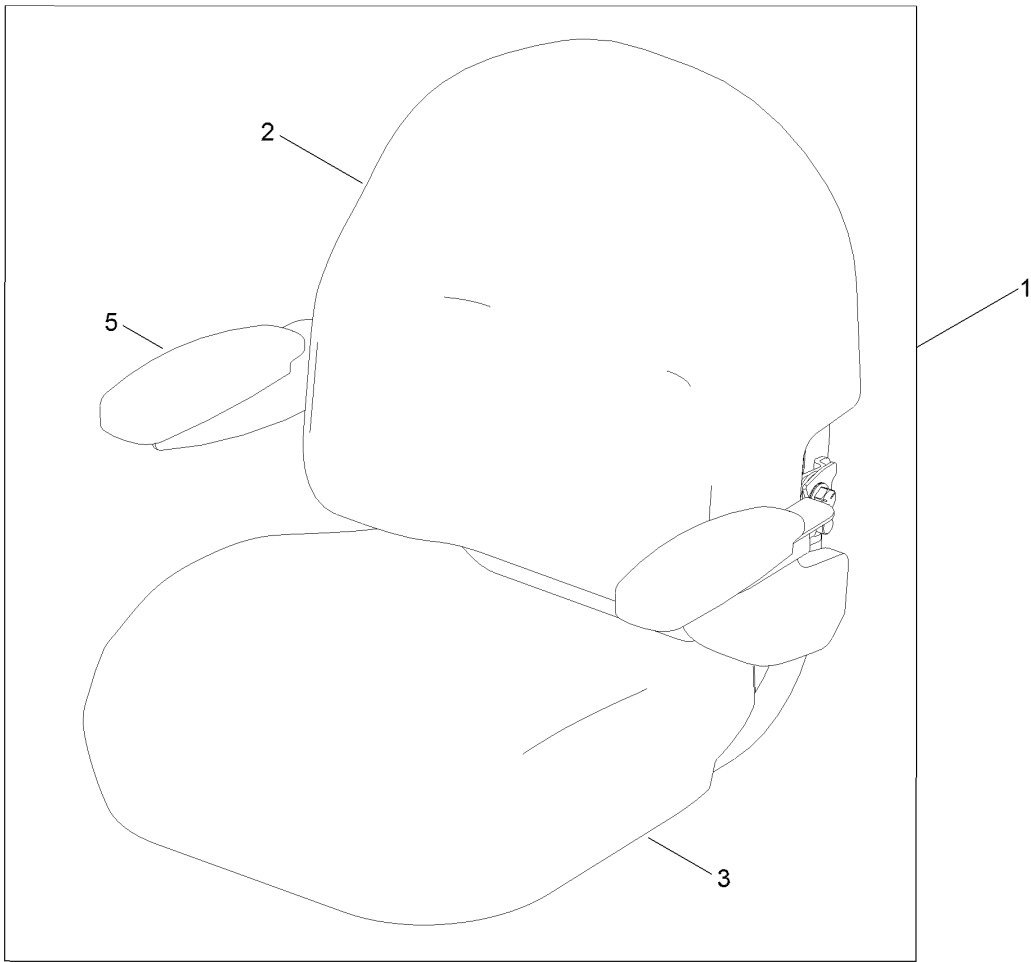
Seat Pan Assembly



Seat Pan Assembly (continued)

| <i>Ref.</i> | <i>Part Number</i> | <i>Qty.</i> | <i>Description</i> | <i>Ref.</i> | <i>Part Number</i> | <i>Qty.</i> | <i>Description</i> |
|-------------|--------------------|-------------|--------------------|-------------|--------------------|-------------|--------------------|
| 1 | 138-9775-03 | 1 | Pan-Seat, Deluxe | 7 | 1-603716 | 4 | Washer-Friction |
| 2 | 138-7555 | 1 | Rod-Pivot | 11 | 139-2401 | 2 | Knob |
| 3 | 108-0035 | 2 | Screw | 12 | 139-2398 | 1 | Cable-Lanyard |
| 4 | 140-5043 | 1 | Seat ASM | 13 | 120-7950 | 1 | Screw-Torx |
| 6 | 139-2377 | 2 | Spacer-Stepped | | | | |

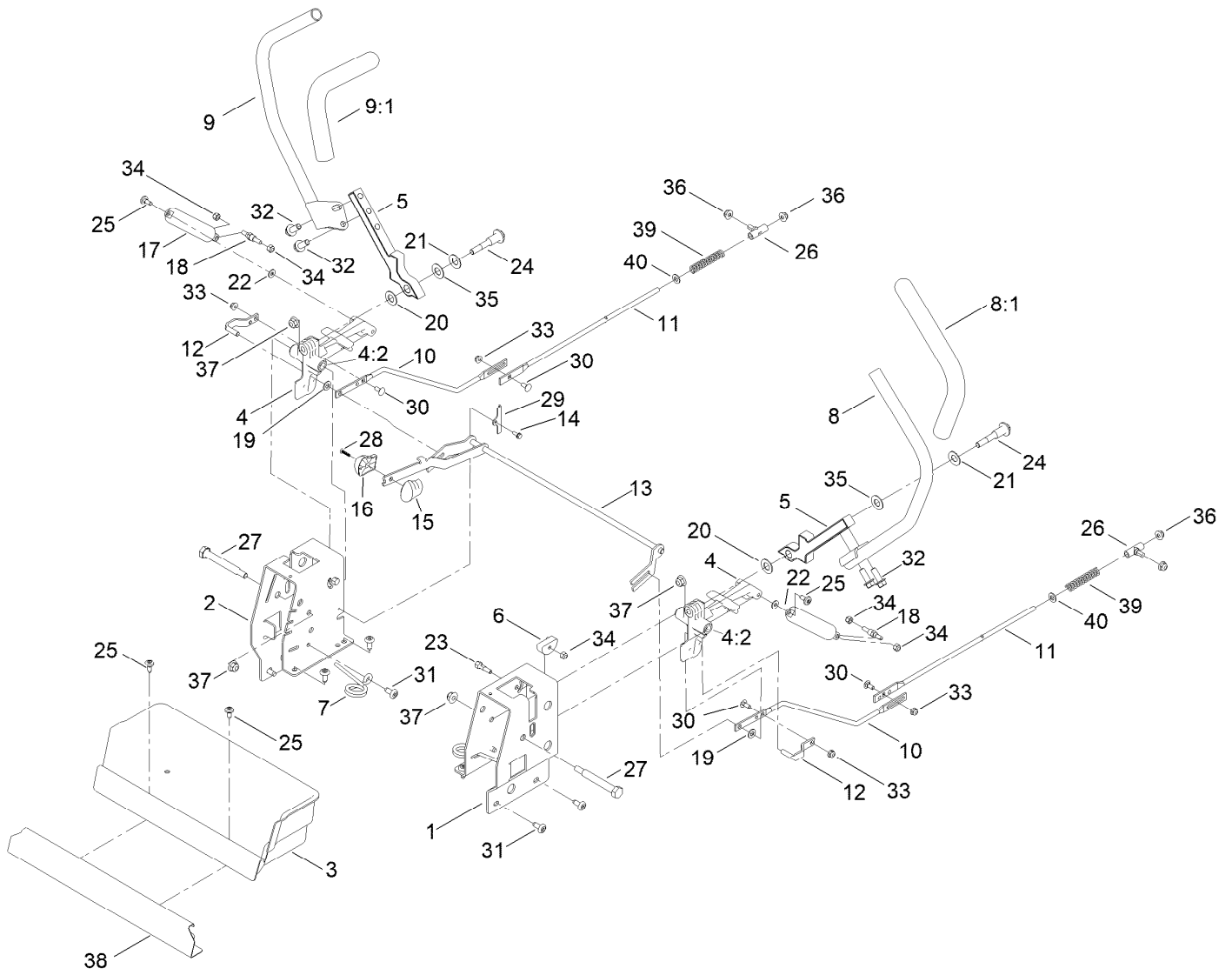
Seat Assembly No. 140-5043



Seat Assembly No. 140-5043 (continued)

| <i>Ref.</i> | <i>Part Number</i> | <i>Qty.</i> | <i>Description</i> | <i>Ref.</i> | <i>Part Number</i> | <i>Qty.</i> | <i>Description</i> |
|-------------|--------------------|-------------|--------------------|-------------|--------------------|-------------|----------------------|
| 1 | 139-7546 | 1 | Seat ASM | 4 | 82-2190 | 1 | Switch-Bail |
| 2 | 140-5041 | 1 | Cover-Seat Back | 5 | 139-5823 | 1 | Arm Rest Kit |
| 3 | 140-5042 | 1 | Cover-Seat Base | 6 | 140-3468 | 1 | Cap-Switch, Actuator |

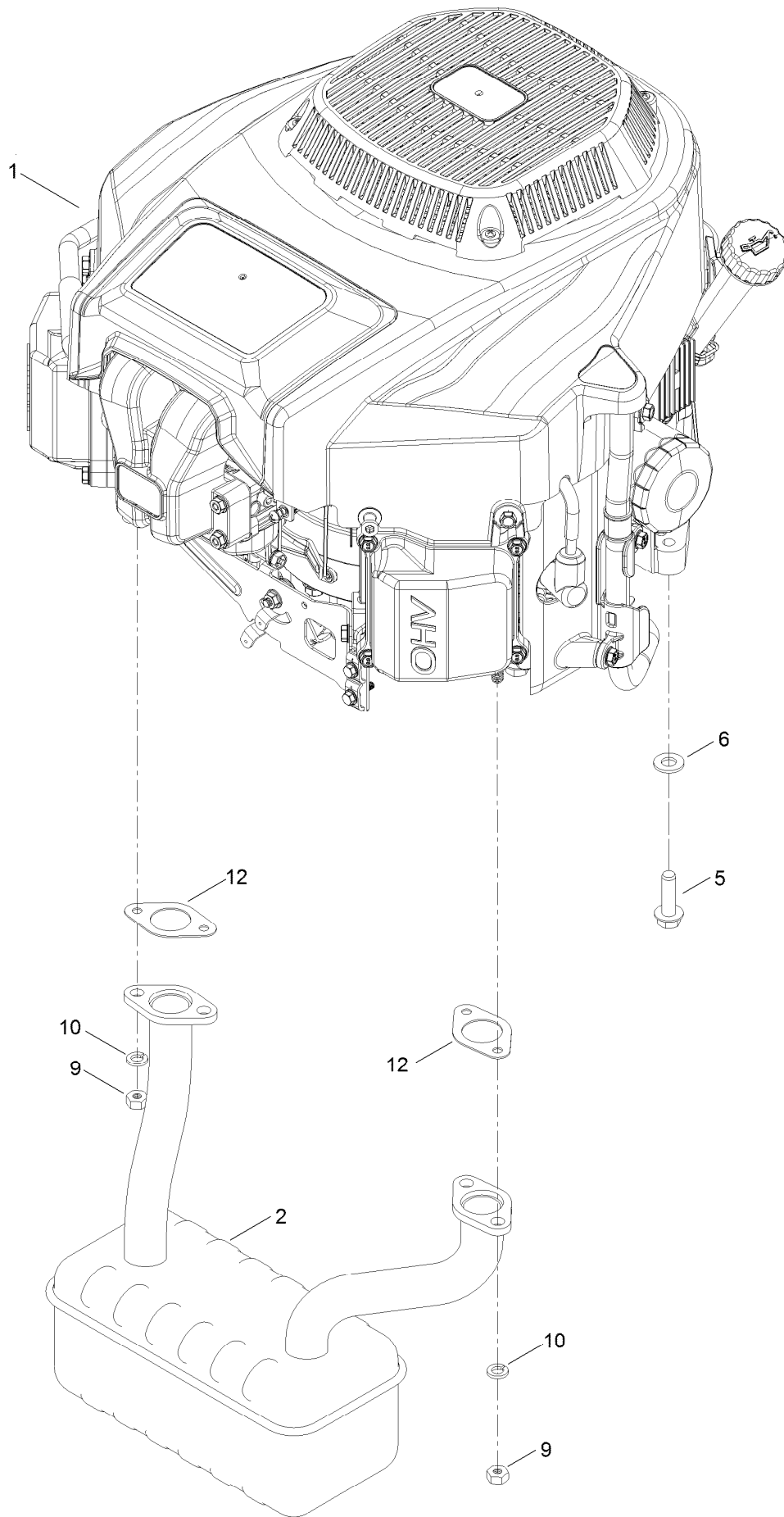
Motion Control Assembly



Motion Control Assembly (continued)

| <i>Ref.</i> | <i>Part Number</i> | <i>Qty.</i> | <i>Description</i> | <i>Ref.</i> | <i>Part Number</i> | <i>Qty.</i> | <i>Description</i> |
|-------------|--------------------|-------------|-----------------------|-------------|--------------------|-------------|-----------------------|
| 1 | 138-7598-03 | 1 | Plate-Control Box, LH | 20 | 120-2273 | 2 | Washer-Nylon |
| 2 | 138-7599-03 | 1 | Plate-Control Box, RH | 21 | 119-8925 | 2 | Washer-Belleville |
| 3 | 139-3279 | 1 | Box-Storage | 22 | 119-8952 | 2 | Washer |
| 4 | 119-3470 | 2 | Actuator Arm ASM | 23 | 139-5811 | 2 | Bolt-Pivot, Eccentric |
| 4:2 | 256-156 | 2 | Bushing-Flange | 24 | 117-1198 | 2 | Bolt-Pivot |
| 5 | 133-9299-05 | 2 | Arm-Control | 25 | 120-7950 | 4 | Screw-Torx |
| 6 | 139-5803 | 2 | Eccentric | 26 | 138-7218 | 2 | Mount-Rod, Hydro |
| 7 | 138-7539 | 2 | Spring-Torsion | 27 | 115-5099 | 2 | Bolt-Pivot |
| 8 | 133-7055 | 1 | Handle-Control, LH | 28 | 94-4496 | 1 | Screw-PPH |
| 8:1 | 121-0726 | 1 | Grip | 29 | 32144-1 | 2 | Screw-Taptite |
| 9 | 133-7057 | 1 | Handle-Control, RH | 30 | 3229-11 | 4 | Screw-CARR |
| 9:1 | 121-0726 | 1 | Grip | 31 | 138-9753 | 10 | Screw |
| 10 | 138-2580 | 2 | Rod-Hydro, Front | 32 | 3234-42 | 4 | Screw-HHF |
| 11 | 144-1818 | 2 | Rod-Hydro, Rear | 33 | 104-7201 | 4 | Nut-HF, NI |
| 12 | 121-1753 | 2 | Pin-Rod, Hydro | 34 | 3296-42 | 6 | Nut-Lock, NI |
| 13 | 138-9750 | 1 | Speed Control ASM | 35 | 117-1240 | 2 | Washer |
| 14 | 138-7541 | 2 | Plate-Retainer | 36 | 119-4041 | 2 | Nut-HF |
| 15 | 132-9368 | 1 | Knob-RH | 37 | 104-8301 | 4 | Nut-HF, NI |
| 16 | 132-9369 | 1 | Knob-LH | 38 | 139-3280-01 | 1 | Plate-Kick |
| 17 | 132-6853 | 2 | Damper-Non Cavitating | 39 | 138-7252 | 2 | Spring-Compression |
| 18 | 138-7215 | 2 | Stud-Damper | 40 | 120-9683 | 2 | Washer-Plain |
| 19 | 93-6079 | 2 | Spacer-Nylon | | | | |

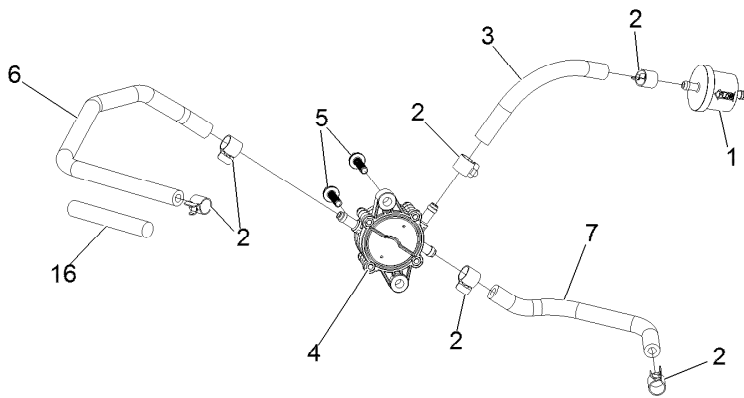
Engine and Muffler Assembly



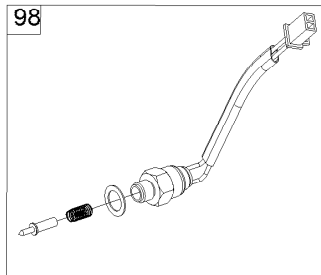
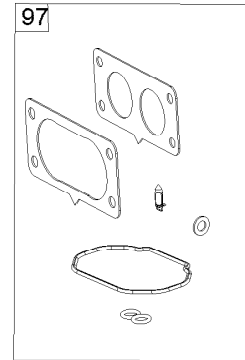
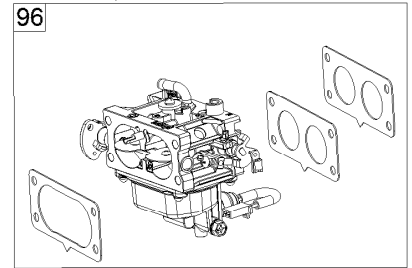
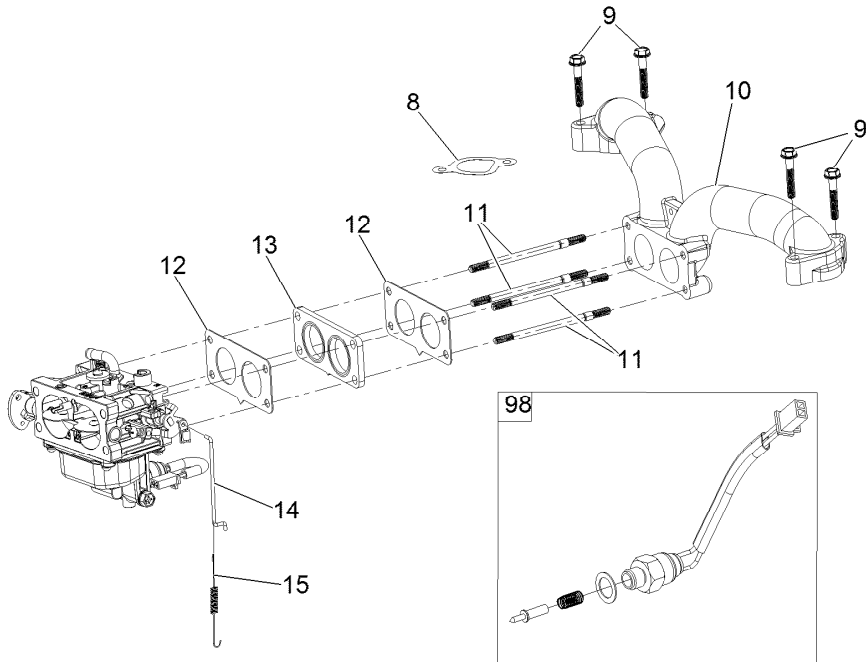
Engine and Muffler Assembly (continued)

| <i>Ref.</i> | <i>Part Number</i> | <i>Qty.</i> | <i>Description</i> | <i>Ref.</i> | <i>Part Number</i> | <i>Qty.</i> | <i>Description</i> |
|-------------|--------------------|-------------|--------------------|-------------|--------------------|-------------|--------------------|
| 1 | 136-7818 | 1 | Engine-2P77F | 9 | 121-0199 | 4 | Nut-HH |
| 2 | 139-5865 | 1 | Muffler | 10 | 127-9279 | 4 | Washer-Lock, Split |
| 5 | 32144-109 | 4 | Screw-Thd | 12 | 120-4317 | 2 | Gasket-Exhaust |
| 6 | 3256-24 | 3 | Washer-Flat | | | | |

Fuel System Assembly



IF EQUIPPED WITH CANISTER TYPE AIR FILTER REFER TO KIT MODEL 136-7860 FOR CARBURETOR ASSEMBLY AND INTERNAL CARBURETOR PARTS

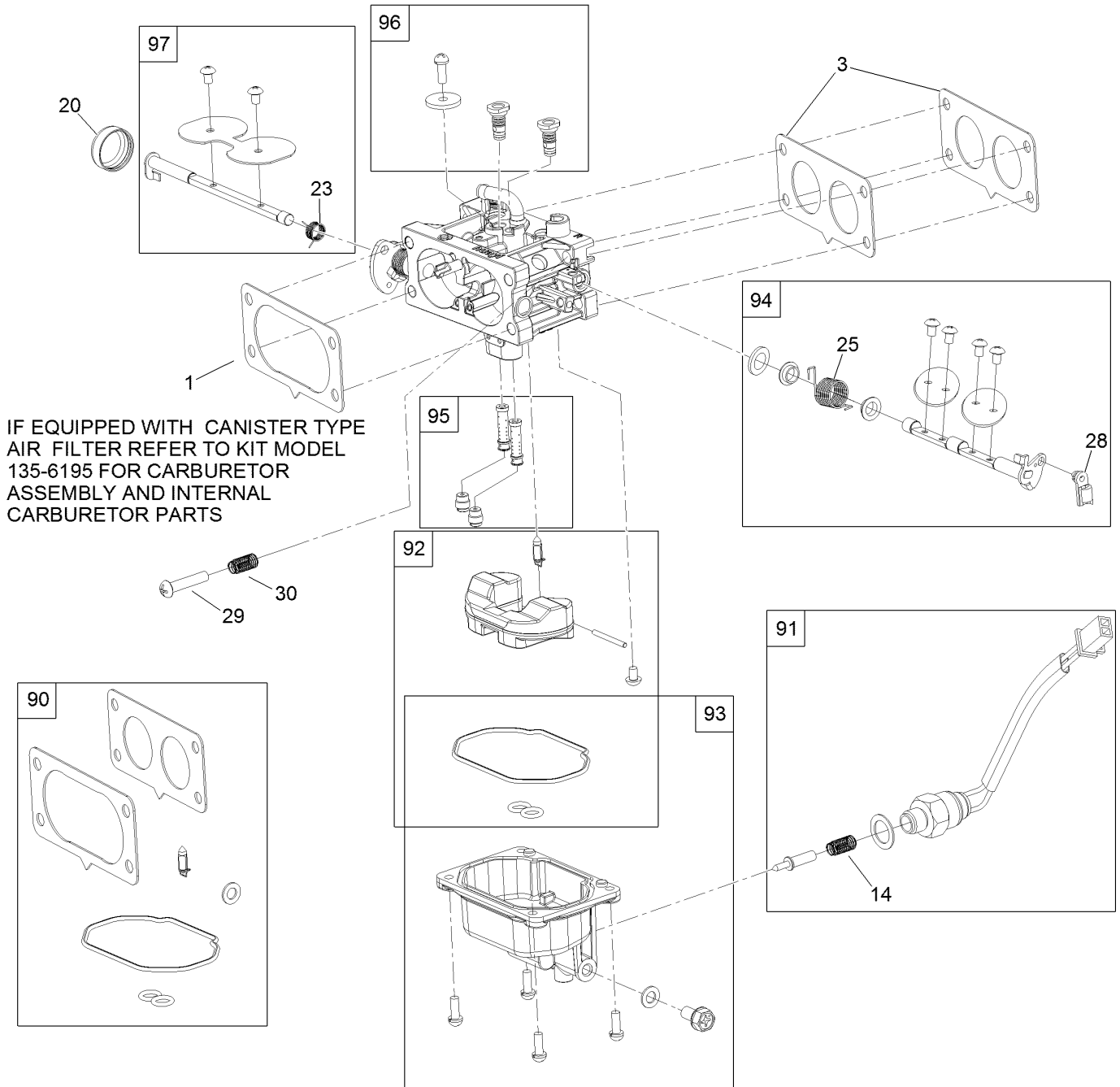


Fuel System Assembly (continued)

| <i>Ref.</i> | <i>Part Number</i> | <i>Qty.</i> | <i>Description</i> | <i>Ref.</i> | <i>Part Number</i> | <i>Qty.</i> | <i>Description</i> |
|-------------|--------------------|-------------|--------------------|-------------|--------------------|-------------|----------------------------|
| 1 | 139-0717 | 1 | Filter-Fuel | 11 | 127-9245 | 4 | Stud |
| 2 | 139-0719 | 6 | Clamp-Fuel Hose | 12 | 127-9246 | 2 | Gasket-Carburetor |
| 3 | 120-4371 | 1 | Line-Fuel | 13 | 127-9247 | 1 | Insulator-Carburetor |
| 4 | 139-0684 | 1 | Pump-Fuel | 14 | 133-9963 | 1 | Linkage-Throttle |
| 5 | 120-4225 | 2 | Screw-HHF | 15 | 133-9964 | 1 | Spring-Return, Throttle |
| 6 | 127-9205 | 1 | Hose-Fuel | 16 | 127-9355 | 1 | Sleeve-Fuel Line Protector |
| 7 | 127-9207 | 1 | Hose-Fuel | 96 | 136-7840 | 1 | Carburetor Replacement Kit |
| 8 | 127-9230 | 2 | Gasket-Intake | 97 | 127-9290 | 1 | Carburetor Repair Kit |
| 9 | 120-4284 | 4 | Screw-HHF | 98 | 127-9292 | 1 | Solenoid Kit |
| 10 | 127-9244 | 1 | Manifold-Intake | 99 | 136-7837 | 1 | High Altitude Kit ● |

● Not illustrated

Carburetor Assembly

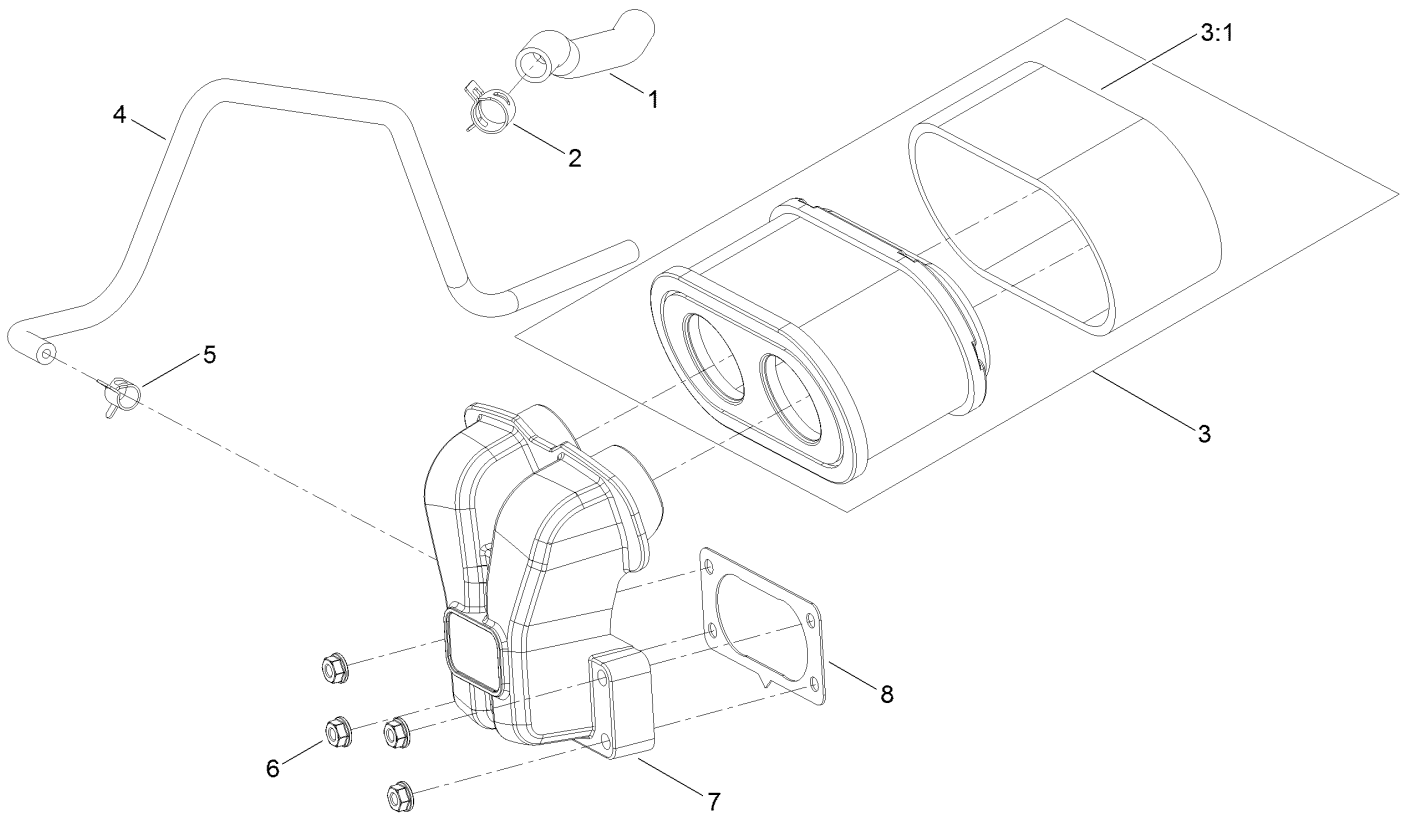


Carburetor Assembly (continued)

| <i>Ref.</i> | <i>Part Number</i> | <i>Qty.</i> | <i>Description</i> | <i>Ref.</i> | <i>Part Number</i> | <i>Qty.</i> | <i>Description</i> |
|-------------|--------------------|-------------|--------------------|-------------|--------------------|-------------|-----------------------|
| 1 | 127-9251 | 1 | Gasket-Carburetor | 90 | 127-9290 | 1 | Carburetor Repair Kit |
| 3 | 127-9246 | 2 | Gasket-Carburetor | 91 | 127-9292 | 1 | Solenoid Kit |
| 14 | 127-9319 | 1 | Spring | 92 | 127-9340 | 1 | Float Kit |
| 20 | 127-9325 | 1 | Cover-Shaft, Choke | 93 | 127-9341 | 1 | Bowl Kit |
| 23 | 127-9328 | 1 | Spring | 94 | 133-9817 | 1 | Throttle Shaft Kit |
| 25 | 127-9330 | 1 | Spring | 95 | 136-7844 | 1 | Nozzle And Jet Kit |
| 28 | 127-9333 | 1 | Clamp-Lock | 96 | 136-7899 | 1 | Idle Jet Kit |
| 29 | 127-9334 | 1 | Screw-PPH | 97 | 127-9345 | 1 | Choke Shaft Kit |
| 30 | 127-9335 | 1 | Spring | | | | |

Air Intake and Filtration Assembly

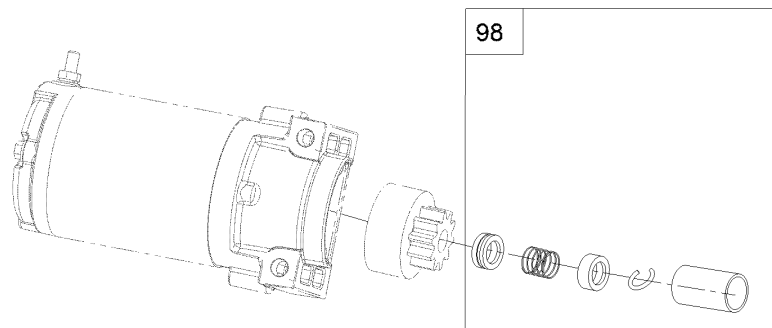
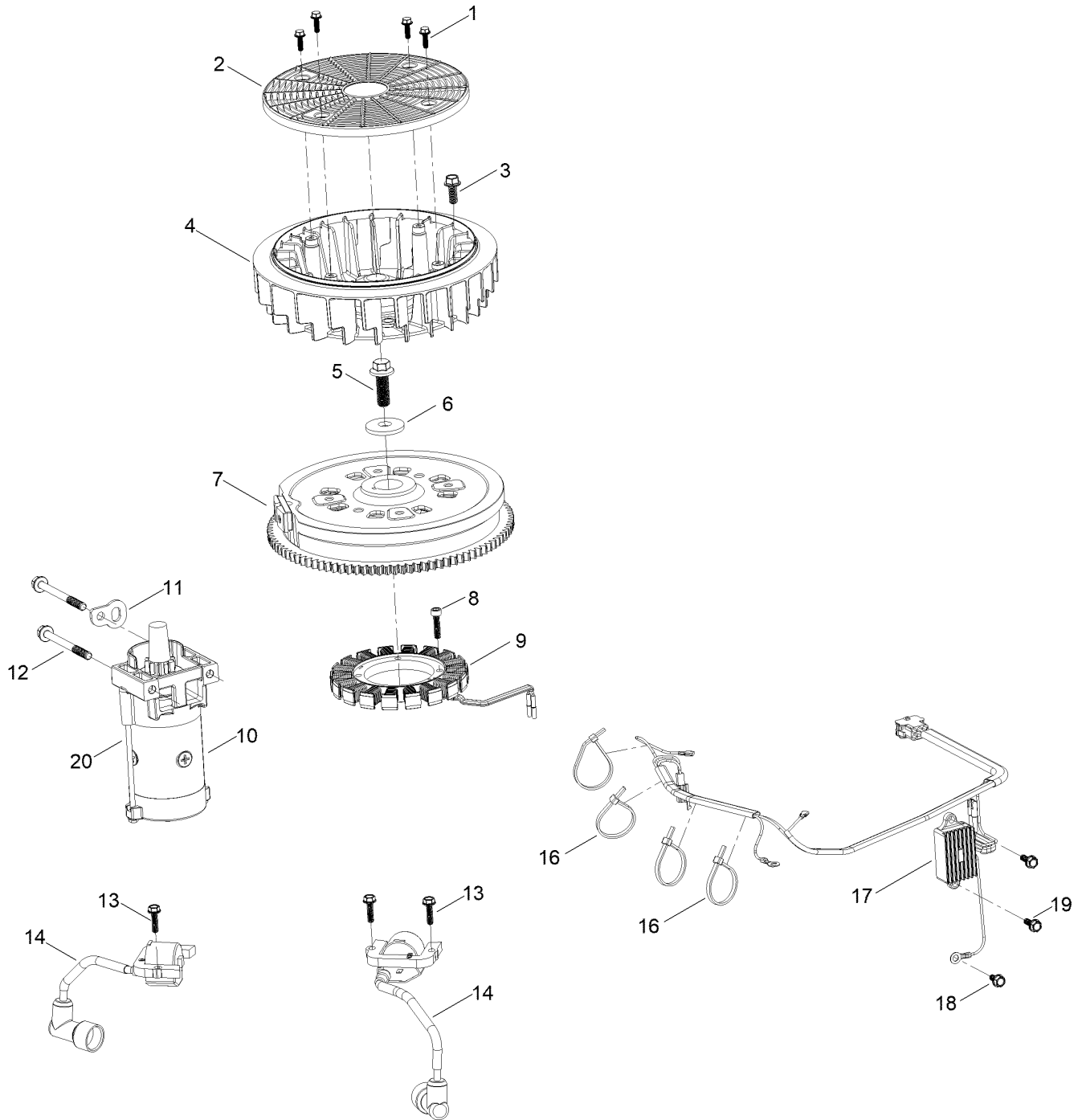
IF EQUIPPED WITH CANISTER TYPE AIR FILTER
REFER TO KIT MODEL 135-6195 TO LOOK UP PARTS



Air Intake and Filtration Assembly (continued)

| <i>Ref.</i> | <i>Part Number</i> | <i>Qty.</i> | <i>Description</i> | <i>Ref.</i> | <i>Part Number</i> | <i>Qty.</i> | <i>Description</i> |
|-------------|--------------------|-------------|--------------------|-------------|--------------------|-------------|----------------------|
| 1 | 127-9235 | 1 | Tube-Breather | 5 | 127-9187 | 1 | Clamp-Hose |
| 2 | 127-9234 | 2 | Clamp-Hose | 6 | 120-4236 | 4 | Nut-Flange |
| 3 | 136-7806 | 1 | Air Filter Kit | 7 | 127-9047 | 1 | Manifold-Filter, Air |
| 3:1 | 136-7804 | 1 | Prefilter | 8 | 127-9251 | 1 | Gasket-Carburetor |
| 4 | 127-9253 | 1 | Hose-Fuel | | | | |

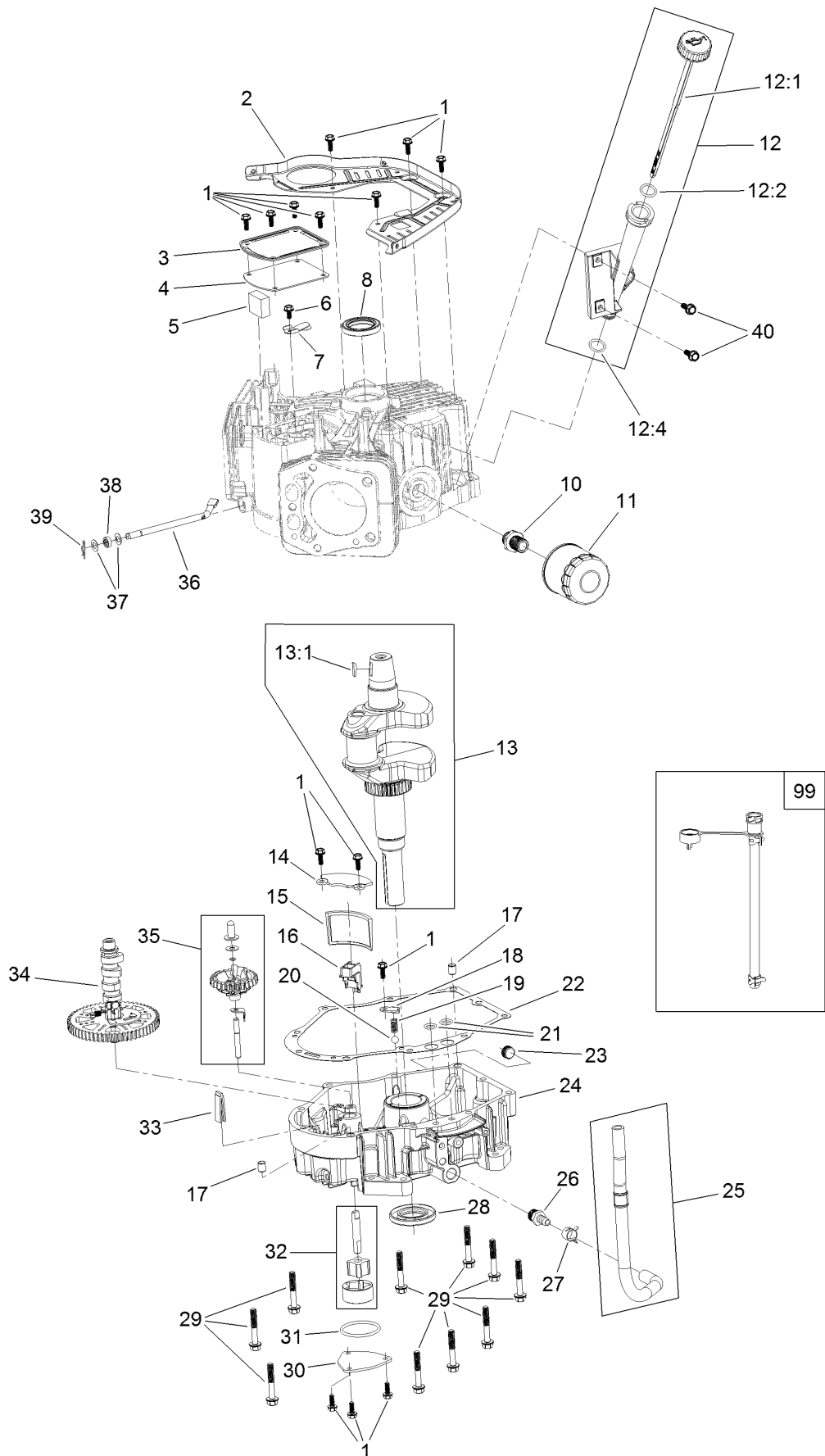
Ignition and Cooling Fan Assembly



Ignition and Cooling Fan Assembly (continued)

| <i>Ref.</i> | <i>Part Number</i> | <i>Qty.</i> | <i>Description</i> | <i>Ref.</i> | <i>Part Number</i> | <i>Qty.</i> | <i>Description</i> |
|-------------|--------------------|-------------|--------------------|-------------|--------------------|-------------|---------------------------------|
| 1 | 127-9197 | 4 | Screw-HWH | 12 | 120-4231 | 2 | Screw-HHF |
| 2 | 127-9198 | 1 | Screen-Rotating | 13 | 121-0007 | 4 | Bolt-Flange |
| 3 | 127-9199 | 4 | Screw-HWH | 14 | 139-0720 | 2 | Ignition Coil ASM |
| 4 | 127-9200 | 1 | Fan-Cooling | 16 | 127-9220 | 4 | Tie-Zip |
| 5 | 127-9201 | 1 | Screw-HWH | 17 | 136-7879 | 1 | Regulator-Voltage, W/Harness |
| 6 | 127-9202 | 1 | Washer-Spring | 18 | 120-4216 | 1 | Screw-HHF |
| 7 | 127-9306 | 1 | Flywheel | 19 | 120-4232 | 2 | Screw-HHF |
| 8 | 127-9210 | 4 | Screw-HSH | 20 | 133-1562 | 1 | Pinion-Starter |
| 9 | 136-7876 | 1 | Alternator | 98 | 133-1566 | 1 | Starter Repair Kit |
| 10 | 136-7880 | 1 | Motor-Starter | | | | |
| 11 | 127-9208 | 1 | Bracket-Lift | | | | |

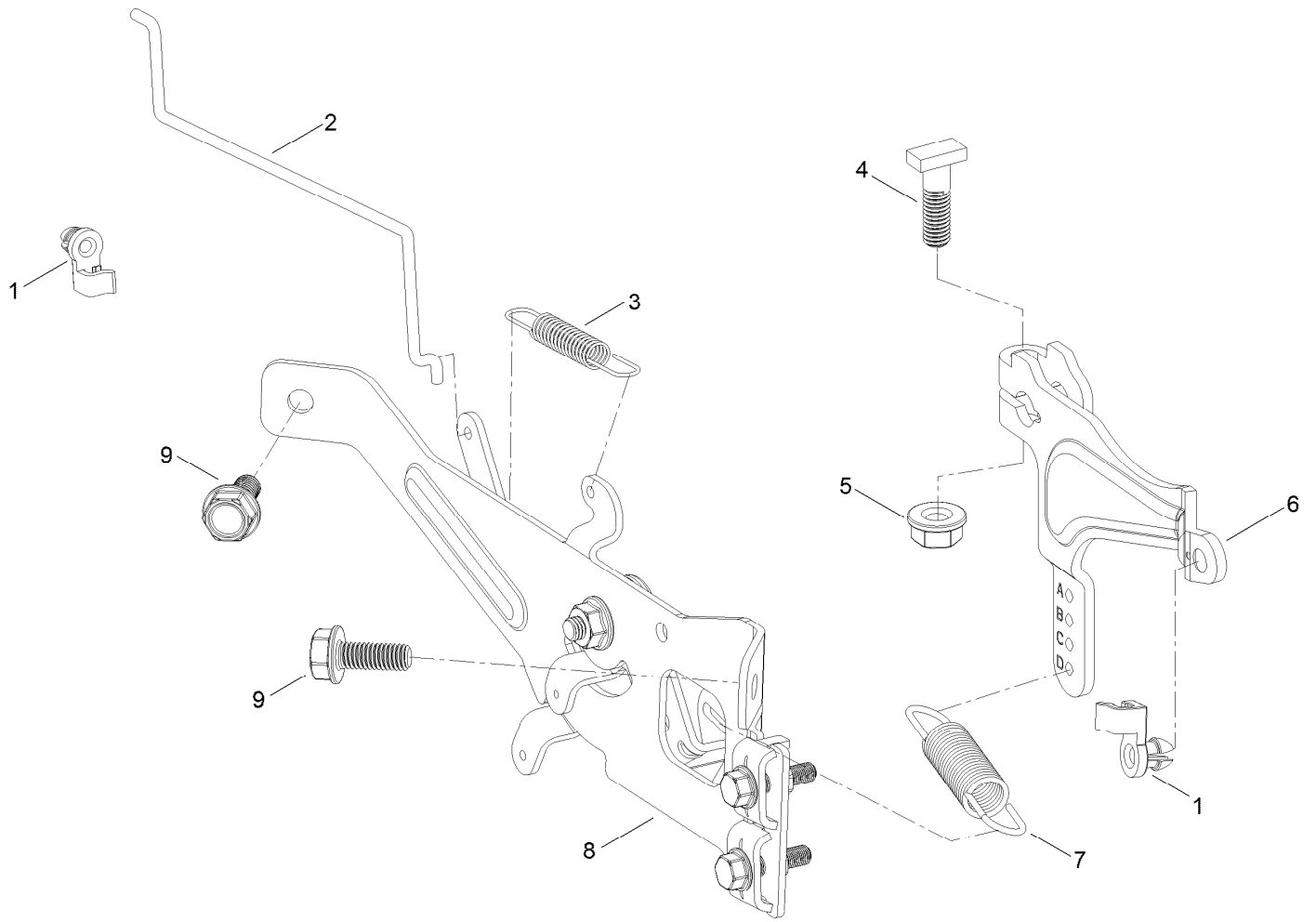
Crankcase and Crankshaft Assembly



Crankcase and Crankshaft Assembly (continued)

| <i>Ref.</i> | <i>Part Number</i> | <i>Qty.</i> | <i>Description</i> | <i>Ref.</i> | <i>Part Number</i> | <i>Qty.</i> | <i>Description</i> |
|-------------|--------------------|-------------|---------------------|-------------|--------------------|-------------|-------------------------|
| 1 | 120-4232 | 14 | Screw-HHF | 20 | 127-9266 | 1 | Valve-Ball |
| 2 | 127-9212 | 1 | Baffle | 21 | 120-4262 | 2 | O-Ring |
| 3 | 127-9213 | 1 | Cover-Breather | 22 | 127-9267 | 1 | Gasket-Cover, Crankcase |
| 4 | 127-9214 | 1 | Gasket-Breather | 23 | 133-9805 | 1 | Plug-Drain |
| 5 | 127-9215 | 1 | Filter-Breather | 24 | 133-9806 | 1 | Cover-Crankcase |
| 6 | 120-4216 | 1 | Screw-HHF | 25 | 127-9293 | 1 | Oil Drain Hose ASM |
| 7 | 127-9217 | 1 | Valve-Breather | 26 | 127-9275 | 1 | Fitting-Hose |
| 8 | 120-4267 | 1 | Seal-Oil | 27 | 127-9276 | 1 | Clamp-Hose |
| 10 | 136-7884 | 1 | Adaptor-Filter, Oil | 28 | 127-9271 | 1 | Seal |
| 11 | 136-7848 | 1 | Filter-Oil | 29 | 121-0473 | 10 | Screw-HHF |
| 12 | 127-9218 | 1 | Oil Tube ASM | 30 | 127-9274 | 1 | Cover-Oil Pump |
| 12:1 | 127-9283 | 1 | Dipstick | 31 | 127-9273 | 1 | O-Ring |
| 12:2 | 127-9284 | 1 | O-Ring | 32 | 127-9272 | 1 | Oil Pump ASM |
| 12:4 | 127-9286 | 1 | O-Ring | 33 | 120-4275 | 1 | Deflector-Oil, Rubber |
| 13 | 127-9255 | 1 | Crankshaft | 34 | 133-1568 | 1 | Camshaft |
| 13:1 | 120-4320 | 1 | Key-Woodruff | 35 | 136-7882 | 1 | Governor ASM |
| 14 | 127-9261 | 1 | Cover-Screen, Oil | 36 | 127-9238 | 1 | Shaft-Governor |
| 15 | 127-9262 | 1 | Screen-Oil | 37 | 120-4258 | 2 | Washer-Plain |
| 16 | 127-9263 | 1 | Retainer-Screen | 38 | 120-4257 | 1 | Seal-Oil |
| 17 | 120-4274 | 2 | Pin-Dowel | 39 | 120-4256 | 1 | Pin-Hair |
| 18 | 127-9264 | 1 | Plate-Retainer | 40 | 120-4232 | 2 | Screw-HHF |
| 19 | 127-9265 | 1 | Spring | 99 | 144-0976 | 1 | Oil Drain Service Kit |

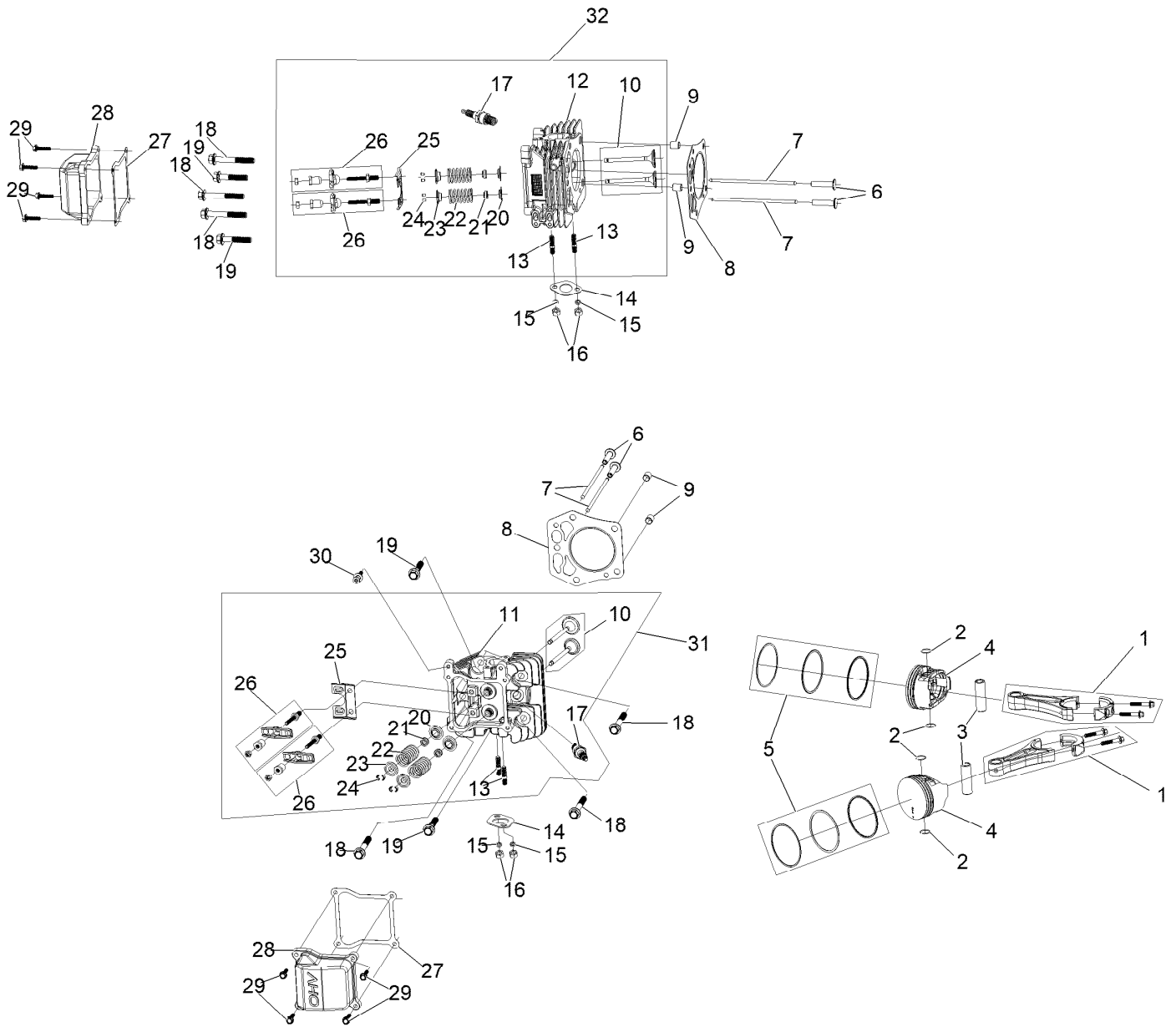
Governor Control Assembly



Governor Control Assembly (continued)

| <i>Ref.</i> | <i>Part Number</i> | <i>Qty.</i> | <i>Description</i> | <i>Ref.</i> | <i>Part Number</i> | <i>Qty.</i> | <i>Description</i> |
|-------------|--------------------|-------------|--------------------|-------------|--------------------|-------------|--------------------|
| 1 | 127-9250 | 2 | Clip-Linkage | 6 | 133-9961 | 1 | Arm-Governor |
| 2 | 127-9242 | 1 | Linkage-Choke | 7 | 133-9962 | 1 | Spring-Governor |
| 3 | 127-9241 | 1 | Spring-Governor | 8 | 133-1570 | 1 | Control Plate ASM |
| 4 | 120-4238 | 1 | Bolt-Arm, Governor | 9 | 120-4232 | 2 | Screw-HHF |
| 5 | 120-4236 | 1 | Nut-Flange | | | | |

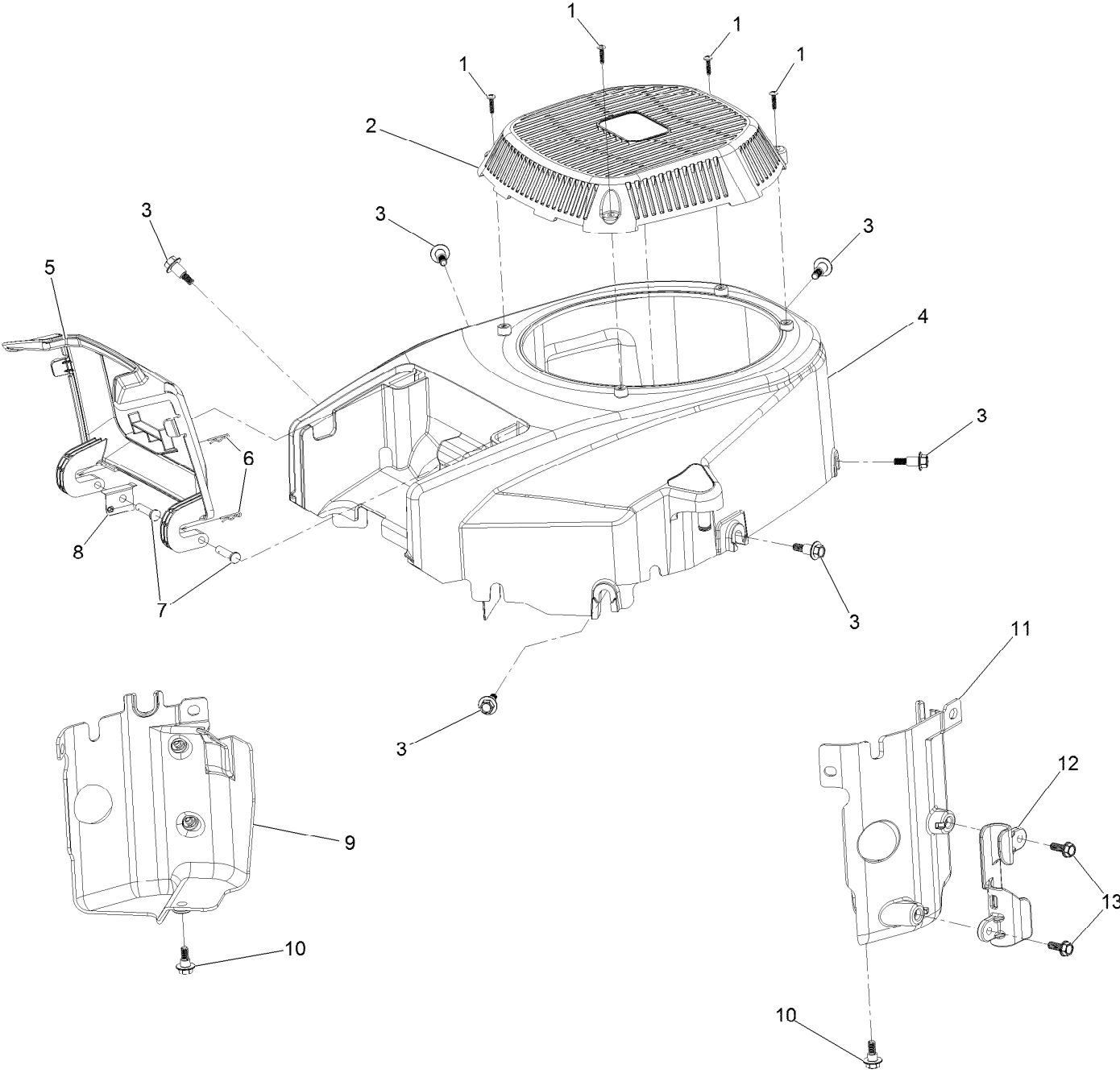
Piston and Cylinder Head Assembly



Piston and Cylinder Head Assembly (continued)

| <i>Ref.</i> | <i>Part Number</i> | <i>Qty.</i> | <i>Description</i> | <i>Ref.</i> | <i>Part Number</i> | <i>Qty.</i> | <i>Description</i> |
|-------------|--------------------|-------------|-----------------------|-------------|--------------------|-------------|-------------------------|
| 1 | 127-9256 | 2 | Connecting Rod ASM | 17 | 81-3250 | 2 | Spark Plug |
| 2 | 127-9258 | 4 | Clip-Pin, Piston | 18 | 127-9231 | 6 | Screw-HWH |
| 3 | 127-9257 | 2 | Pin-Piston | 19 | 127-9232 | 4 | Screw-HWH |
| 4 | 127-9259 | 2 | Piston | 20 | 120-4303 | 4 | Seat-Spring, Valve |
| 5 | 127-9260 | 2 | Piston Ring Set | 21 | 120-4304 | 4 | Seal-Stem, Valve |
| 6 | 127-9224 | 4 | Lifter-Valve | 22 | 120-4305 | 4 | Spring-Valve |
| 7 | 127-9225 | 4 | Rod-Push | 23 | 120-4306 | 4 | Retainer-Spring, Valve |
| 8 | 127-9226 | 2 | Gasket-Head, Cylinder | 24 | 120-4307 | 8 | Keeper-Valve |
| 9 | 127-9227 | 4 | Pin-Dowel | 25 | 127-9233 | 2 | Plate-Guide, Push Rod |
| 10 | 127-9228 | 2 | Valve Set | 26 | 136-7881 | 4 | Rocker Arm ASM |
| 11 | 133-9802 | 1 | Head-Cylinder, Right | 27 | 127-9295 | 2 | Gasket-Valve Cover |
| 12 | 133-9804 | 1 | Head-Cylinder, Left | 28 | 127-9050 | 2 | Cover-Valve |
| 13 | 121-0464 | 4 | Stud-Exhaust | 29 | 120-4225 | 8 | Screw-HHF |
| 14 | 120-4317 | 2 | Gasket-Exhaust | 30 | 120-4214 | 1 | Screw-Shoulder, HH |
| 15 | 127-9279 | 4 | Washer-Lock, Split | 31 | 136-7891 | 1 | Complete Right Head ASM |
| 16 | 121-0199 | 4 | Nut-HH | 32 | 136-7892 | 1 | Complete Left Head ASM |

Blower Housing Assembly

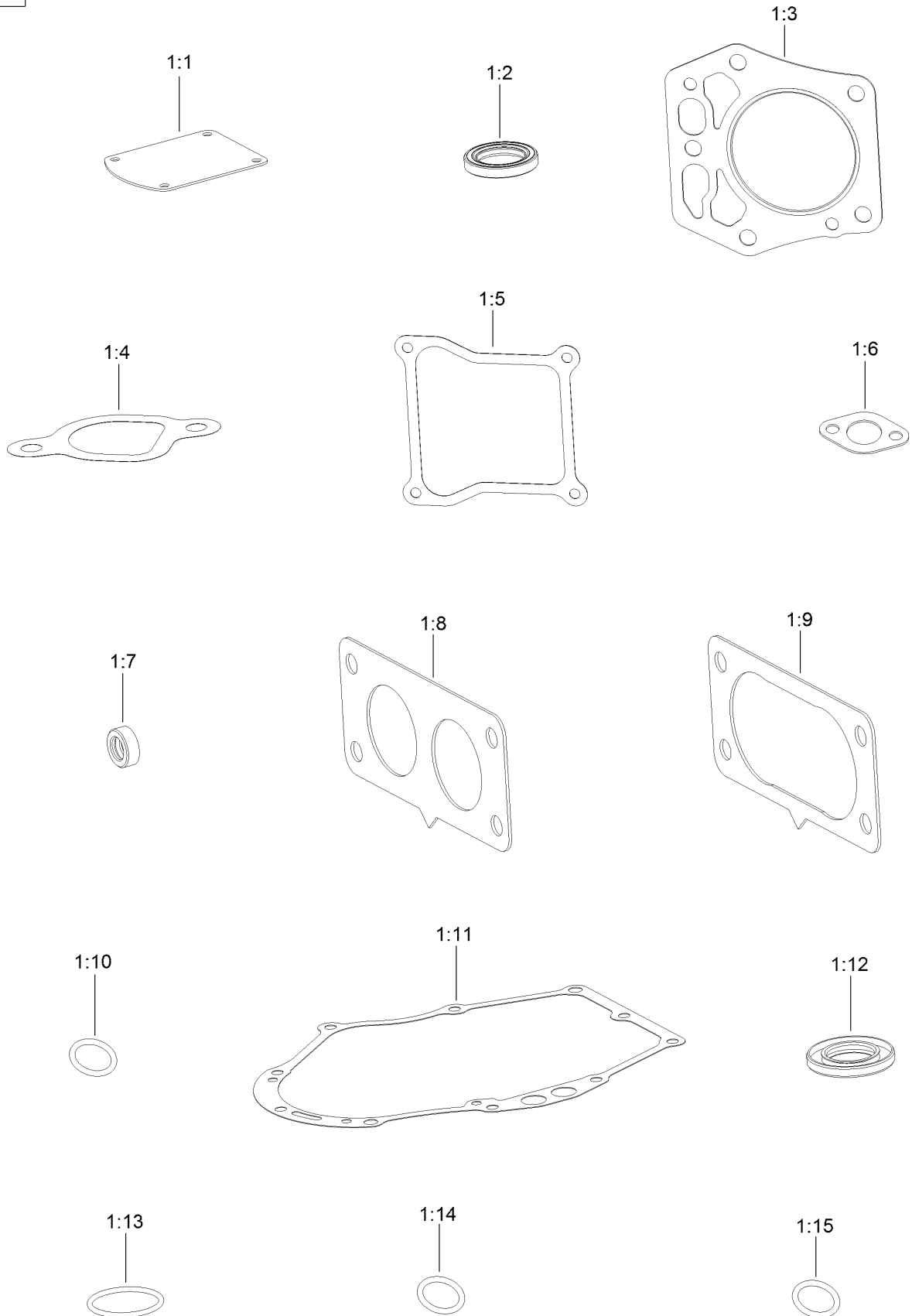


Blower Housing Assembly (continued)

| <i>Ref.</i> | <i>Part Number</i> | <i>Qty.</i> | <i>Description</i> | <i>Ref.</i> | <i>Part Number</i> | <i>Qty.</i> | <i>Description</i> |
|-------------|--------------------|-------------|---------------------|-------------|--------------------|-------------|---------------------|
| 1 | 133-1571 | 4 | Screw-PPH, Plastic | 8 | 127-9281 | 1 | Plate-Spring |
| 2 | 127-9045 | 1 | Cover-Fan | 9 | 136-7877 | 1 | Baffle-Air, Left |
| 3 | 127-9196 | 6 | Screw-Shoulder, HWH | 10 | 120-4210 | 2 | Screw-Shoulder, HHF |
| 4 | 133-1572 | 1 | Shroud-Engine | 11 | 136-7878 | 1 | Baffle-Air, Right |
| 5 | 127-9046 | 1 | Door-Filter, Air | 12 | 127-9287 | 1 | Cleat-Hose |
| 6 | 127-9280 | 2 | Pin-Hair | 13 | 120-4232 | 2 | Screw-HHF |
| 7 | 127-9282 | 2 | Pin | | | | |

Gasket and Seal Kit

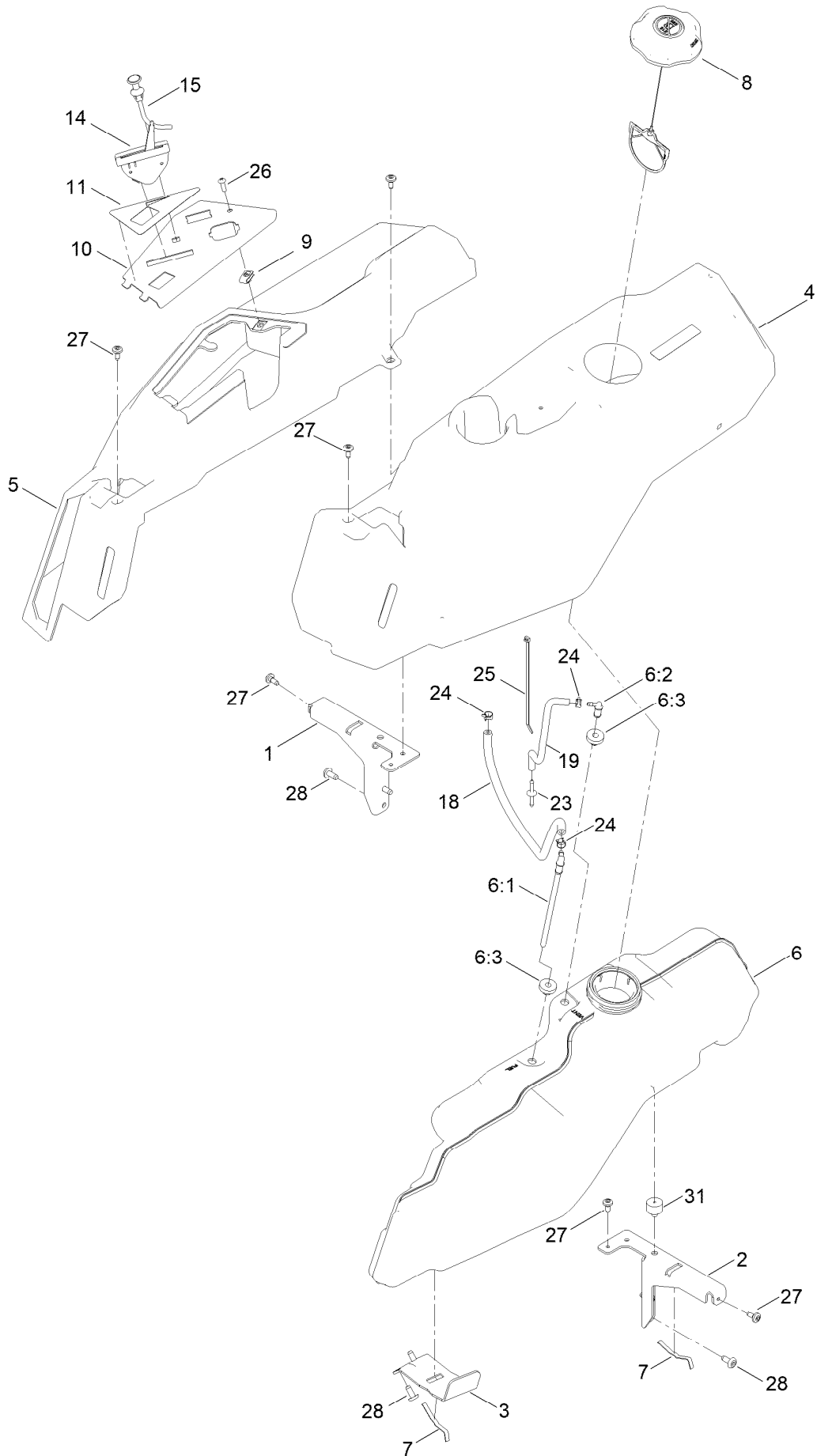
1



Gasket and Seal Kit (continued)

| <i>Ref.</i> | <i>Part Number</i> | <i>Qty.</i> | <i>Description</i> | <i>Ref.</i> | <i>Part Number</i> | <i>Qty.</i> | <i>Description</i> |
|-------------|--------------------|-------------|-----------------------|-------------|--------------------|-------------|-------------------------|
| 1 | 127-9296 | 1 | Gasket And Seal Kit | 1:8 | 127-9246 | 2 | Gasket-Carburetor |
| 1:1 | 127-9214 | 1 | Gasket-Breather | 1:9 | 127-9251 | 1 | Gasket-Carburetor |
| 1:2 | 120-4267 | 1 | Seal-Oil | 1:10 | 120-4262 | 2 | O-Ring |
| 1:3 | 127-9226 | 2 | Gasket-Head, Cylinder | 1:11 | 127-9267 | 1 | Gasket-Cover, Crankcase |
| 1:4 | 127-9230 | 2 | Gasket-Intake | 1:12 | 127-9271 | 1 | Seal |
| 1:5 | 127-9295 | 2 | Gasket-Valve Cover | 1:13 | 127-9273 | 1 | O-Ring |
| 1:6 | 120-4317 | 2 | Gasket-Exhaust | 1:14 | 127-9284 | 1 | O-Ring |
| 1:7 | 120-4257 | 1 | Seal-Oil | 1:15 | 127-9286 | 1 | O-Ring |

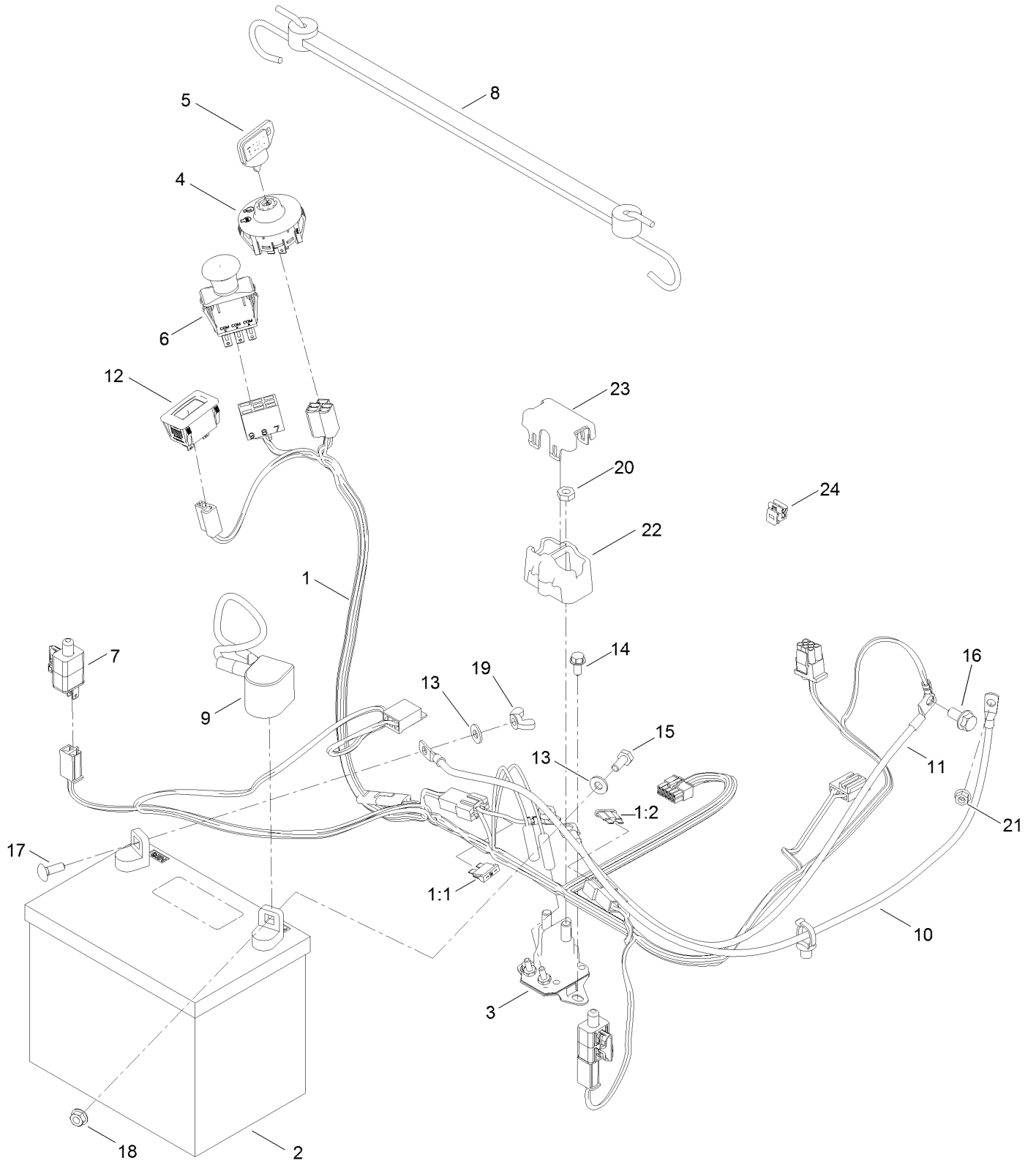
Body Styling and Fuel Pod Assembly



Body Styling and Fuel Pod Assembly (continued)

| <i>Ref.</i> | <i>Part Number</i> | <i>Qty.</i> | <i>Description</i> | <i>Ref.</i> | <i>Part Number</i> | <i>Qty.</i> | <i>Description</i> |
|-------------|--------------------|-------------|-------------------------|-------------|--------------------|-------------|---------------------|
| 1 | 138-6070-03 | 1 | Support-Pod, RH | 11 | 140-2717 | 1 | Decal-Panel Control |
| 2 | 138-6071-03 | 1 | Support-Pod, LH | 14 | 139-2403 | 1 | Cable-Throttle |
| 3 | 139-3271-03 | 1 | Support-Tank, Fuel | 15 | 139-2402 | 1 | Cable-Choke |
| 4 | 138-6074 | 1 | Pod-LH | 18 | 108-4582 | 1 | Hose-Fuel |
| 5 | 138-6075 | 1 | Pod-RH | 19 | 136-6345 | 1 | Hose-Fuel |
| 6 | 144-5304 | 1 | Tank-Fuel ASM | 23 | 144-1983 | 1 | Adapter Orifice |
| 6:1 | 139-1091 | 1 | Connector-Elbow, 90 DEG | 24 | 2412-98 | 3 | Clamp-Hose |
| 6:2 | 144-5302 | 1 | Fitting-Elbow 90 | 25 | 614249 | 1 | Tie-Cable |
| 6:3 | 46-6560 | 2 | Bushing | 26 | 3258-166 | 1 | Screw-PRH |
| 7 | 609830 | 2 | Spring | 27 | 120-7950 | 6 | Screw-Torx |
| 8 | 137-4119 | 1 | Cap-Fuel, Ratcheting | 28 | 138-9753 | 6 | Screw |
| 9 | 107069 | 1 | Clip | 31 | 120-7893 | 1 | Bumper-Grommet |
| 10 | 139-2380-03 | 1 | Panel - Control | | | | |

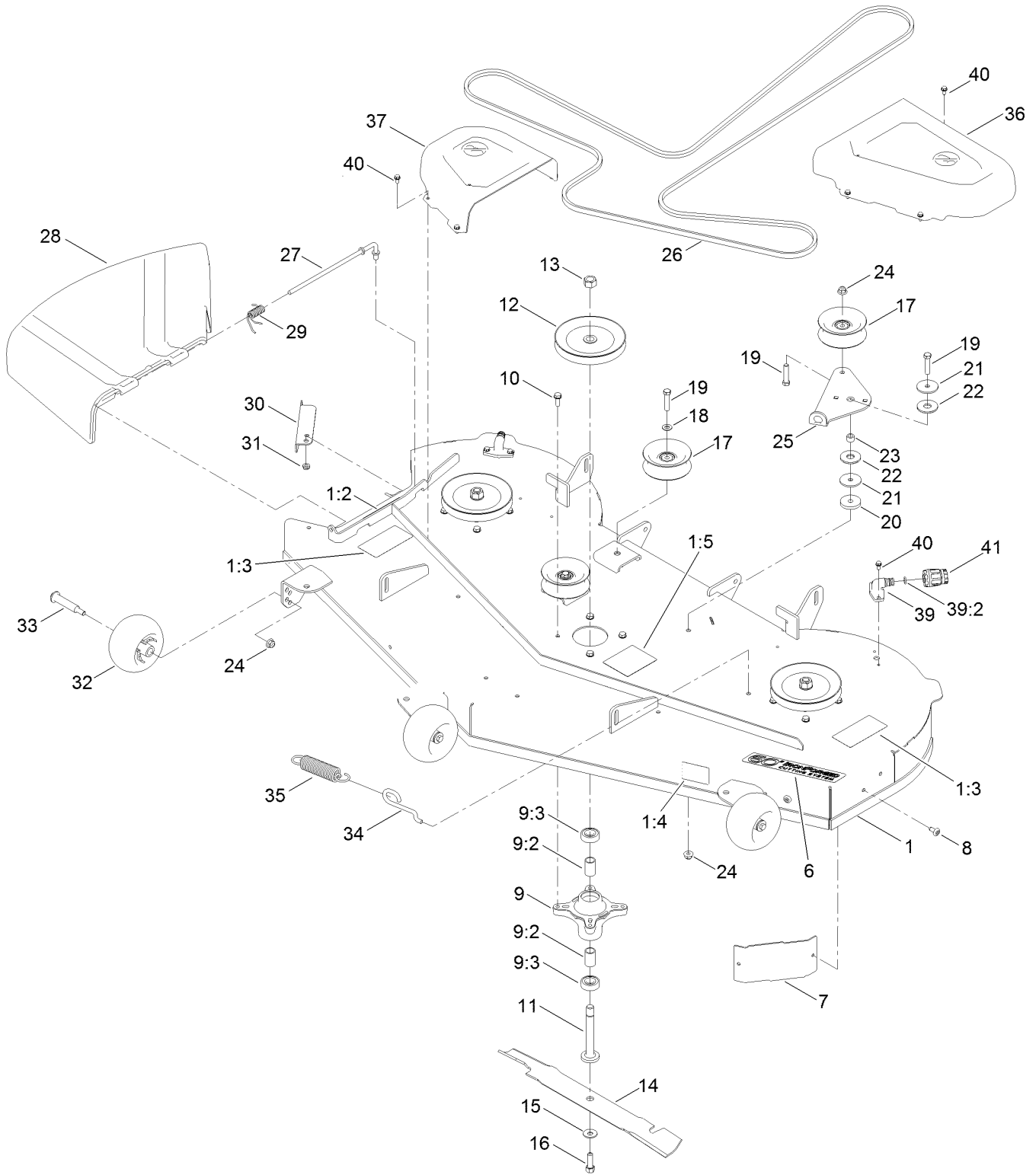
Electrical Assembly



Electrical Assembly (continued)

| <i>Ref.</i> | <i>Part Number</i> | <i>Qty.</i> | <i>Description</i> | <i>Ref.</i> | <i>Part Number</i> | <i>Qty.</i> | <i>Description</i> |
|-------------|--------------------|-------------|------------------------------------|-------------|--------------------|-------------|----------------------|
| 1 | 138-2521 | 1 | Harness-Wire | 11 | 110-6793 | 1 | Cable-Battery, Black |
| 1:1 | 109355 | 1 | Fuse-Blade, 15 Amp | 12 | 120-2244 | 1 | Hourmeter |
| 1:2 | 109102 | 1 | Fuse-Blade, 25 Amp | 13 | 3256-22 | 2 | Washer-Flat |
| 2 | 105-1692 | 1 | Battery, 230CCA W/O Electrolyte | 14 | 32144-4 | 2 | Screw-HWH |
| 3 | 117-1197 | 1 | Solenoid | 15 | 321-3 | 1 | Screw-HH |
| 4 | 137-4100 | 1 | Switch-Ignition | 16 | 3234-14 | 1 | Screw-HHF |
| 5 | 63-8360 | 1 | Key-Ignition | 17 | 3229-1 | 1 | Screw-CARR |
| 6 | 103-5221 | 1 | Switch-PTO | 18 | 32128-33 | 1 | Nut-HF |
| 7 | 110-6765 | 2 | Switch | 19 | 32103-22 | 1 | Nut-Wing |
| 8 | 139-2381 | 1 | Strap-Rubber | 20 | 3220-2 | 2 | Nut-Jam |
| 9 | 140-2713 | 1 | Cable-Battery, Pos | 21 | 33003-00 | 1 | Nut-HF |
| 10 | 139-2431 | 1 | Cable-Battery, Red (8 Gauge) | 22 | 140-2080 | 1 | Cover-Solenoid |
| | | | | 23 | 140-2081 | 1 | Cap-Solenoid |
| | | | | 24 | 32180-418 | 1 | Clip-Harness |

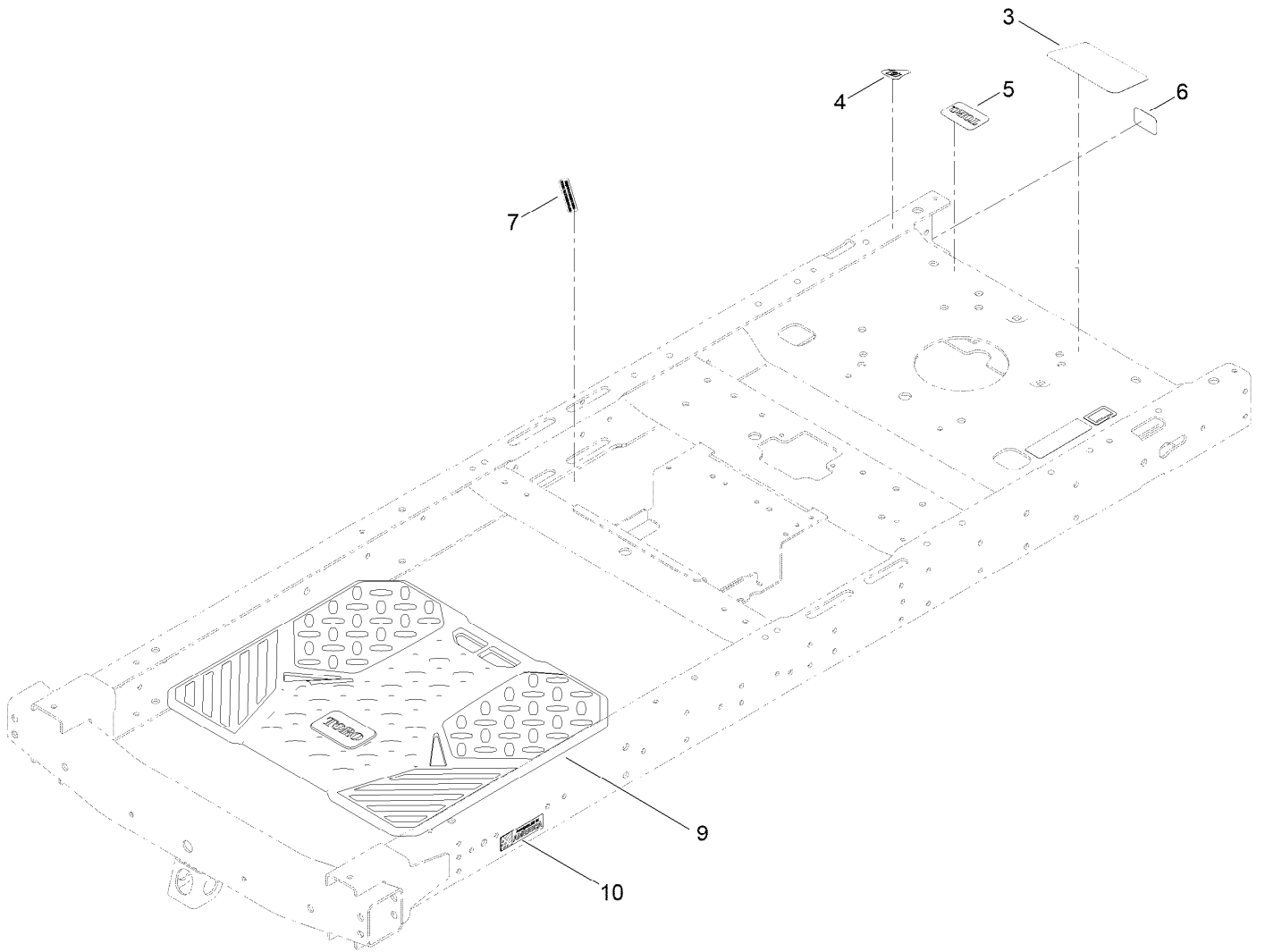
60 Inch Deck and Decal Assembly



60 Inch Deck and Decal Assembly (continued)

| <i>Ref.</i> | <i>Part Number</i> | <i>Qty.</i> | <i>Description</i> | <i>Ref.</i> | <i>Part Number</i> | <i>Qty.</i> | <i>Description</i> |
|-------------|--------------------|-------------|-------------------------|-------------|--------------------|-------------|----------------------------|
| 1 | 138-9768 | 1 | 60In Deck And Decal ASM | 21 | 63-7400 | 2 | Washer-Rebound |
| 1:2 | 93-7009 | 1 | Decal-Danger | 22 | 114-0463 | 2 | Washer-Friction, Composite |
| 1:3 | 132-0872 | 2 | Decal-Danger, Deck | 23 | 115-4986 | 1 | Spacer |
| 1:4 | 112-9840 | 1 | Decal-Scalp, Anti | 24 | 104-8301 | 5 | Nut-HF, NI |
| 1:5 | 99-3943 | 1 | Decal-Routing, Belt | 25 | 138-7262 | 1 | Arm-Idler |
| 6 | 139-3209 | 1 | Decal - Deck | 26 | 109-3661 | 1 | Belt |
| 7 | 139-2448-03 | 1 | Baffle-Corner | 27 | 137-2019 | 1 | Rod-Pivot |
| 8 | 138-9753 | 2 | Screw | 28 | 138-7502 | 1 | Deflector-Discharge |
| 9 | 139-3214 | 3 | Spindle ASM | 29 | 138-7268 | 1 | Spring-Torsion |
| 9:2 | 120-7935 | 2 | Spacer | 30 | 138-9800-03 | 1 | Baffle-Cutoff |
| 9:3 | 138-9770 | 2 | Bearing-Ball | 31 | 3296-59 | 1 | Nut-Lock, NI |
| 10 | 32144-41 | 12 | Screw-Taptite | 32 | 1-603299 | 3 | Roller-Scalp, Anti |
| 11 | 117-7268 | 3 | Shaft-Spindle | 33 | 112-3977 | 3 | Bolt-Shoulder |
| 12 | 133-1199 | 3 | Pulley | 34 | 138-7266 | 1 | Spring-Return, Hook |
| 13 | 3219-6 | 3 | Nut-Hex | 35 | 138-7264 | 1 | Spring-Extension |
| 14 | 115-9649-03 | 3 | Blade-Hi Flow | 36 | 133-9282 | 1 | Cover-Belt, LH |
| 15 | 3290-465 | 3 | Washer-Belleville | 37 | 133-9283 | 1 | Cover-Belt, RH |
| 16 | 26-0671 | 3 | Screw-HH | 39 | 133-9289 | 2 | Fitting-Washout |
| 17 | 132-9420 | 3 | Pulley-Idler, Flat | 39:2 | 133-9290 | 1 | O-Ring |
| 18 | 3256-24 | 2 | Washer-Flat | 40 | 32144-4 | 12 | Screw-HWH |
| 19 | 323-9 | 4 | Screw-HH | 41 | 95-3270 | 1 | Connector-Hose |
| 20 | 110-9981 | 1 | Washer-Plain | | | | |

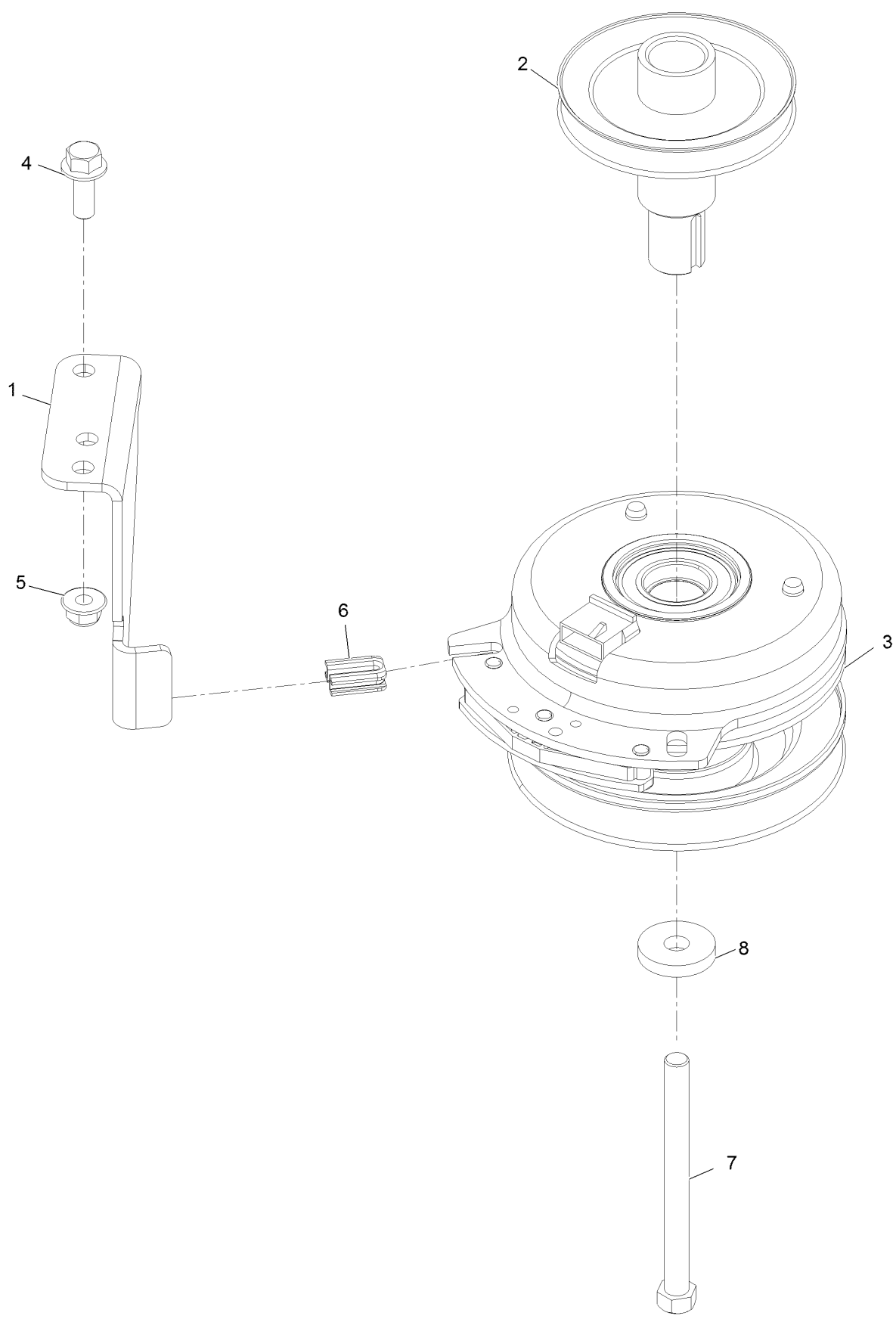
Frame Decal Assembly



Frame Decal Assembly (continued)

| <i>Ref.</i> | <i>Part Number</i> | <i>Qty.</i> | <i>Description</i> | <i>Ref.</i> | <i>Part Number</i> | <i>Qty.</i> | <i>Description</i> |
|-------------|--------------------|-------------|--------------------|-------------|--------------------|-------------|--------------------|
| 3 | 140-5132 | 1 | Decal-Engine | 7 | 132-0904 | 1 | Decal-Shutdown |
| 4 | 131-1097 | 1 | Decal-Drain, Oil | 9 | 139-5899 | 1 | Floor Mat |
| 5 | 131-4157 | 1 | Decal | 10 | 140-2099 | 1 | Decal |
| 6 | 127-9076 | 1 | Placard-Intake | | | | |

Clutch Assembly



Clutch Assembly (continued)

| <i>Ref.</i> | <i>Part Number</i> | <i>Qty.</i> | <i>Description</i> | <i>Ref.</i> | <i>Part Number</i> | <i>Qty.</i> | <i>Description</i> |
|-------------|--------------------|-------------|--------------------|-------------|--------------------|-------------|--------------------|
| 1 | 137-7000 | 1 | Stop-Clutch (Wide) | 5 | 104-8301 | 1 | Nut-HF, NI |
| 2 | 138-9792 | 1 | Pulley-Engine | 6 | 120-2217 | 1 | Isolator-Clutch |
| 3 | 127-3410 | 1 | Clutch-PTO | 7 | 3212-19 | 1 | Screw-HH |
| 4 | 3234-42 | 1 | Screw-HHF | 8 | 112843 | 1 | Washer |

Attachments and Accessories

For 75760 TimeCutter 6000 Riding Mower

| Product Name | Model/Part |
|------------------------------------------------|-------------------|
| Hypr-Oil 500 (quart) | 114-4713 |
| Blade-Hi Flow, 20.5in | 115-9649-03P |
| Hourmeter Kit | 116-5461 |
| Seat Cover w/Arm Rest | 117-0097 |
| Jack Kit | 127-6666 |
| Fuel Stabilizer .05 oz | 130-2393 |
| 4-Cycle Fuel, Snow And Lawn 32oz Can | 131-3823 |
| Toro Premium Fuel Treatment 12 Oz Bottle | 131-6572 |
| Heavy Duty Air Cleaner Kit | 135-6195 |
| Maintenance Kit Toro V-twin Engine | 139-0646 |
| Maintenance Kit Toro | 139-0649 |
| 60 Inch Recycler Kit..... | 139-3290 |
| Front Weight Kit..... | 140-2050 |
| Assist Bar Kit | 140-2052 |
| Sunshade Kit | 140-2054 |
| LED Light Kit..... | 140-2056 |
| Floormat Kit | 140-2060 |
| Jack Mount Kit | 140-2711 |
| 60 Inch Bagging Enhancement Kit..... | 140-3508 |
| 54/60 Inch Striping Kit..... | 140-5161 |
| 10w30 4-Cycle Engine Oil (32oz Bottle)..... | 38280 |
| Toro 4-Cycle SAE 30 Oil (32oz Bottle) | 38903 |
| Storage Cover | 490-7516 |
| Twin Bagger, Timecutter 60 Inch | 79413 |
| ROPS Kit | 79485 |
| Slope Sensor Kit..... | 79486 |

Notes:

Notes:

Notes:



Count on it.