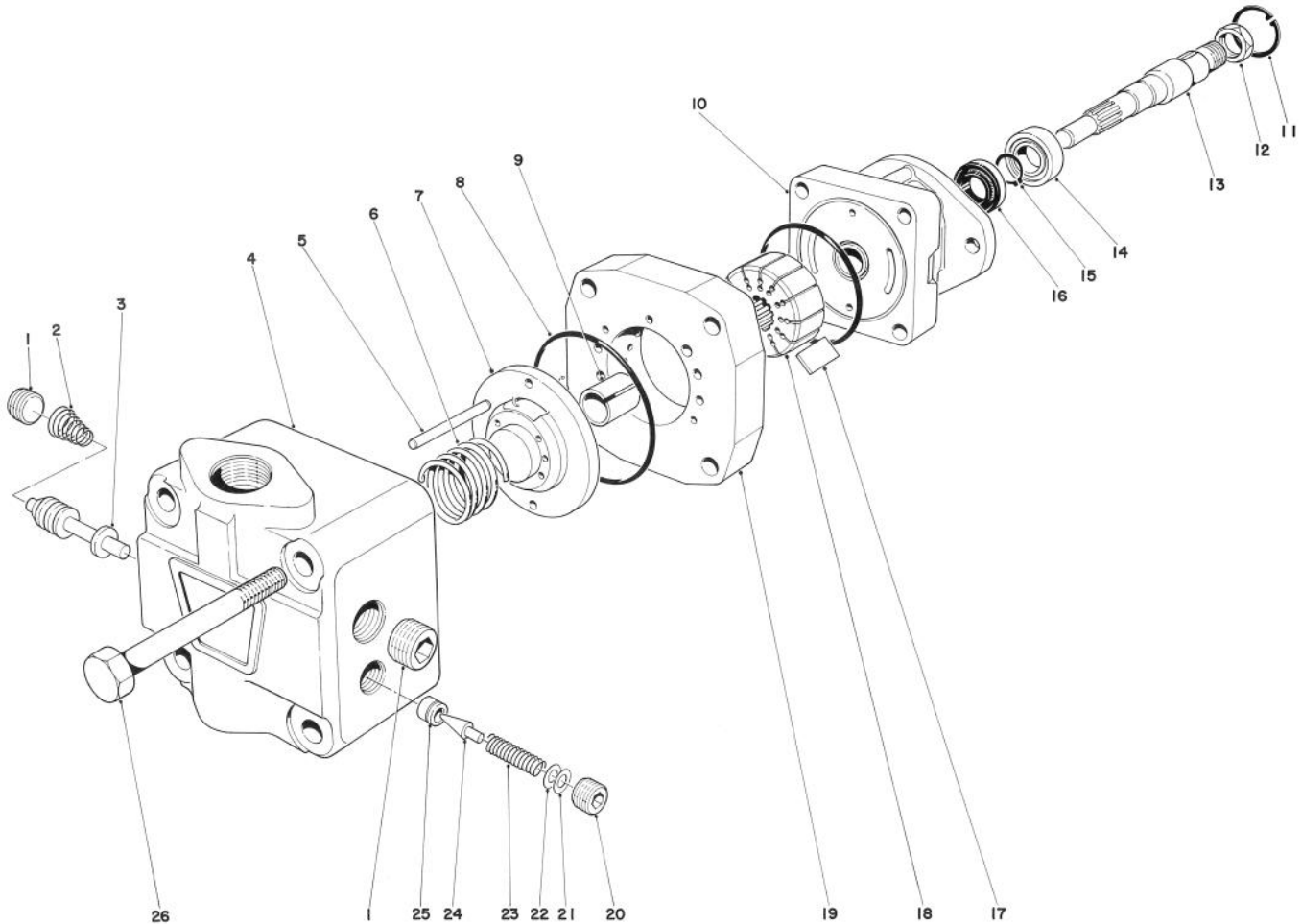




MODEL NO. 38-9630

PARTS CATALOG

HYDRAULIC PUMP ASSEMBLY – REPLACES NO. 19-3900.
 USED ON SER. 6 DIESEL TRACTOR MODELS 33677 – 30001 THRU 40001
 33699 – 30001 THRU 40001



| Ref. No. | Part No. | Description | No. Used |
|----------|----------|---------------------------------|----------|
| 1 | 38-9640 | Plug | 2 |
| 2 | 38-9650 | Spring | 1 |
| 3 | 38-9660 | Piston | 1 |
| 4 | 38-9670 | Cover | 1 |
| 5 | 19-4510 | Pin | 2 |
| 6 | 19-4460 | Spring | 1 |
| 7 | 19-4470 | Pressure Plate (Incl. Ref. #14) | 1 |
| 8 | 19-4480 | "O" Ring | 2 |
| 9 | | Bushing | 1 |
| 10 | 19-4520 | Body | 1 |
| 11 | 32120-11 | Snap Ring | 1 |
| 12 | 19-4580 | Nut | 1 |
| 13 | 19-4560 | Shaft | 1 |
| 14 | 19-4550 | Bearing | 1 |
| 15 | 19-4540 | Snap Ring | 1 |

| Ref. No. | Part No. | Description | No. Used |
|----------|----------|--|----------|
| 16 | 19-4530 | Seal | 1 |
| 17 | | Vane Kit (12 Vanes) | 1 |
| 18 | | Rotor | 1 |
| 19 | | Ring | 1 |
| 20 | 19-4450 | Plug | 1 |
| 21 | 19-4420 | Shim | A/R |
| 22 | 19-4410 | Shim | A/R |
| 23 | 19-4400 | Spring 1250 P.S.I. | 1 |
| 24 | 38-9680 | Poppet | 1 |
| 25 | 19-4440 | Seat | 1 |
| 26 | 19-4380 | Screw | 4 |
| * | 38-9630 | Hydraulic Pump Complete | 1 |
| * | 19-4610 | Cartridge Kit (Incl. Ref. # 8 & 17-19) | 1 |
| * | 19-4620 | Seal Kit (Incl. Ref. # 8 & 16) | 1 |

*Not Illustrated

The Toro Promise

A One Year Limited Warranty on Turf Products Other Than Walk Rotary Mowers

The Toro Company promises to repair any TORO Product if defective in materials or workmanship. The following time periods from the date of purchase apply:

| | |
|--|---------|
| Turf Products | 1 Year |
| Hevi-Duty Walk Rotary Mowers | 90 Days |

The costs of parts and labor are included, but the customer pays the transportation costs on walk rotary mowers.

Should you feel your TORO is defective and wish to rely on The Toro Promise, the following procedure is recommended:

1. Contact your Authorized TORO Distributor (the Yellow Pages of your telephone directory is a good reference source).
2. The TORO Distributor will advise you on the arrangements that can be made to inspect and repair your product.
3. The TORO Distributor will inspect the product and advise you whether the product is defective and, if so, make all repairs necessary to correct the defect without extra charge to you.

If for any reason you are dissatisfied with the distributor's analysis of the defect or the service performed, you may contact us.

Write:

TORO Turf Products Service Department
8111 Lyndale Avenue South
Minneapolis, Minnesota 55420

The above remedy of product defects through repair by an Authorized TORO Distributor is the purchaser's sole remedy for any defect.

THERE IS NO OTHER EXPRESS WARRANTY. ALL IMPLIED WARRANTIES OF MERCHANTABILITY AND FITNESS FOR USE ARE LIMITED TO THE DURATION OF THE EXPRESS WARRANTY.

Some states do not allow limitation on how long implied warranty lasts, so the above limitation may not apply to you.

This Warranty applies only to parts or components which are defective and does not cover repairs necessary due to normal wear, misuse, accidents, or lack of proper maintenance. Regular, routine maintenance of the unit to keep it in proper operating condition is the responsibility of the owner.

All warranty repairs reimbursable under The Toro Promise must be performed by an Authorized TORO Distributor using Toro approved replacement parts.

Repairs or attempted repairs by anyone other than an Authorized TORO Distributor are not reimbursable under The Toro Promise. In addition, these unauthorized repair attempts may result in additional malfunctions, the correction of which is not covered by warranty.

The Toro Company is not liable for indirect, incidental or consequential damages in connection with the use of the product including any cost or expense of providing substitute equipment or service during periods of malfunction or non-use.

Some states do not allow the exclusion of incidental or consequential damages, so the above exclusion may not apply to you.

This warranty gives you specific legal rights, and you may also have other rights which vary from state to state.