



Count on it.

Parts Catalog

Sand Pro® 2040Z

Traction Unit

Model No. 08706—Serial No. 404475001 and Up



Ordering Replacement Parts

To order replacement parts, please supply the part number, the quantity, and the description of each part desired.

Understanding Reference Numbers

Each identified part in an illustration has a reference number. The reference number for a part also appears in the parts list, along with other information about the part.

This catalog uses two special reference number formats, one to indicate parts in a service assembly and another to indicate the quantity of a given part in an illustration.

Service Assembly Reference Numbers

Parts in service assemblies have reference numbers in the form a:b. The a represents the reference number of the entire service assembly and the b represents a sequential number unique to each part within the service assembly.

For example, a wheel assembly might be identified by reference number 6, the tire by 6:1, the valve by 6:2, and the wheel by 6:3. When you order the assembly identified by reference number 6, you receive all parts identified by reference numbers 6:1, 6:2, and 6:3. However, you may also order any part individually. Reference numbers of this type appear in illustration and in parts lists.

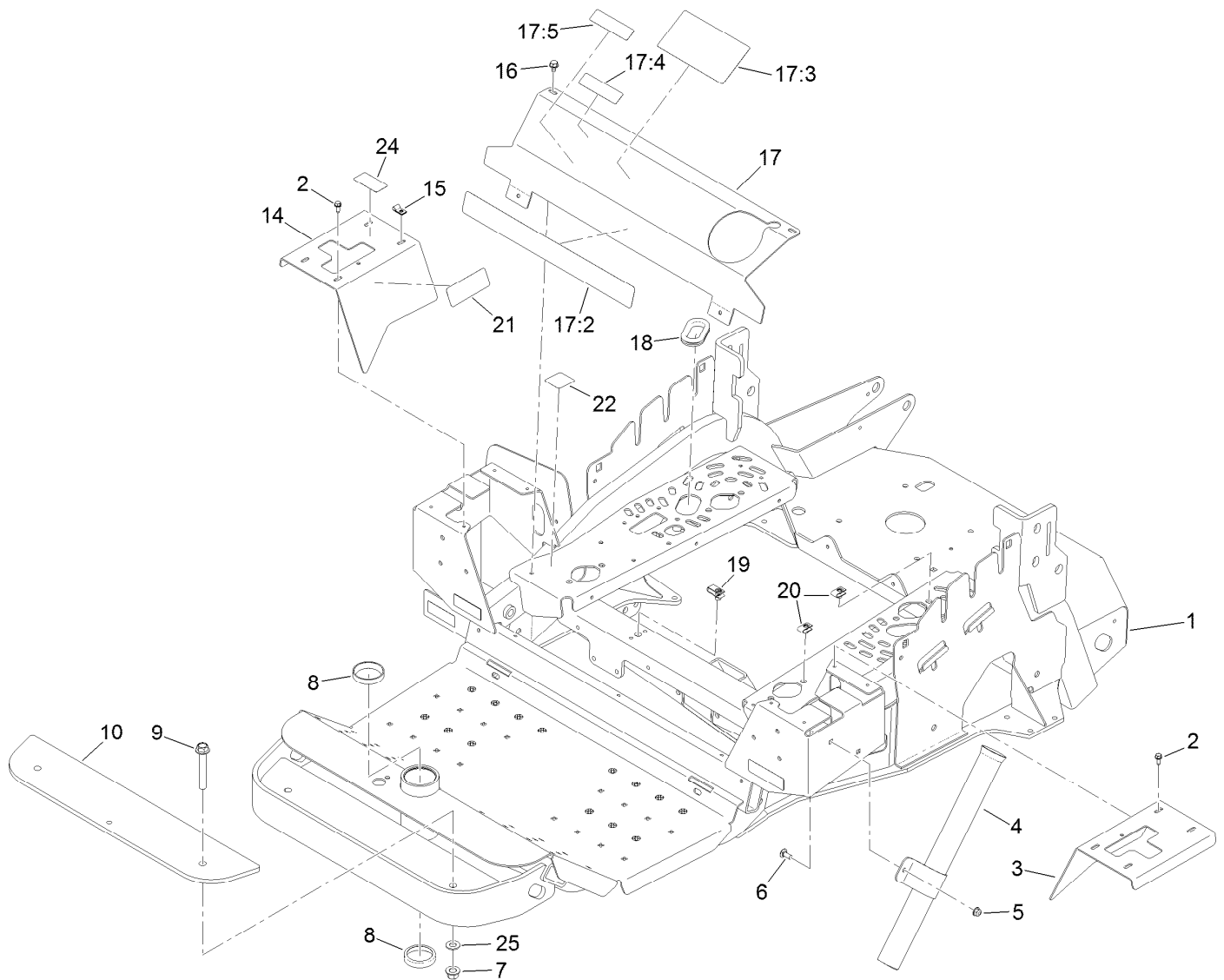
Reference Numbers Indicating Quantity

In an illustration, if a reference number indicates more than one part, the reference number has the form nX y. The n represents the quantity of the part, the X is the multiplication symbol, and the y represents the reference number.

For example, in an illustration, the reference number 2X 37 means that two of the parts identified by reference number 37 are indicated.

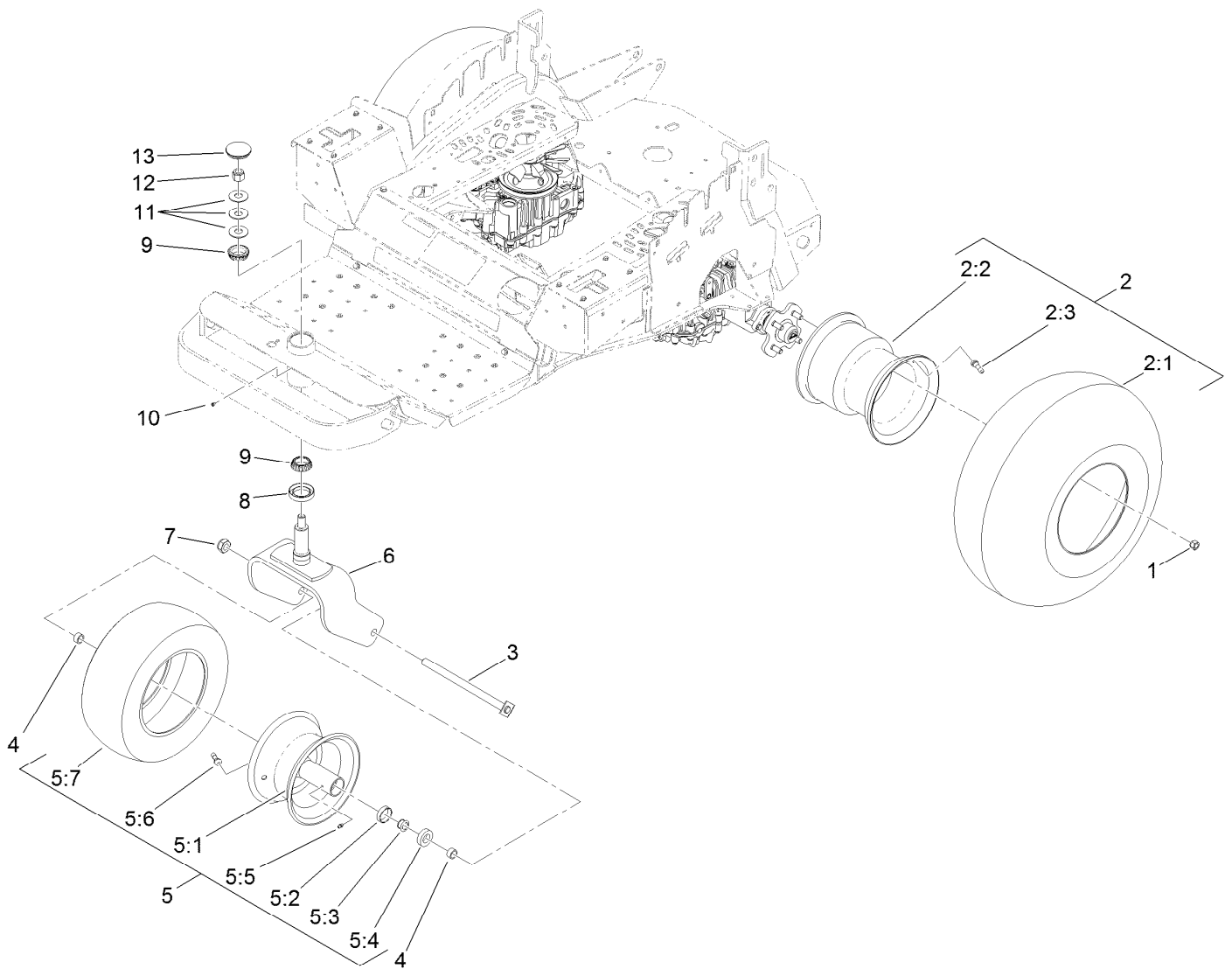
Contents

| | |
|---|----|
| Main Frame Assembly | 4 |
| Tire and Caster Assembly | 5 |
| Engine and Transmission Assembly | 6 |
| Pump Idler Assembly No. 116-1255 | 8 |
| LH Transmission Assembly No. 138-9088 | 10 |
| RH Transmission Assembly No. 138-9090 | 12 |
| Hydraulic Tank Assembly | 14 |
| Hydraulic Manifold Assembly No. 127-7858 | 16 |
| Exhaust Assembly | 17 |
| Fuel Tank and Emissions Recovery Assembly | 18 |
| Engine Controls and Console Assembly | 19 |
| Seat Assembly | 20 |
| Seat Assembly No. 120-7886 | 21 |
| Motion Control Assembly | 22 |
| Brake Installation Assembly | 24 |
| Lift Valve Installation Assembly | 25 |
| Hydraulic Cylinder Assembly No. 125-6466 | 26 |
| Roll-Over Protection System Assembly | 27 |
| Battery and Electrical System Assembly | 28 |
| Attachments and Accessories | 30 |



Main Frame Assembly

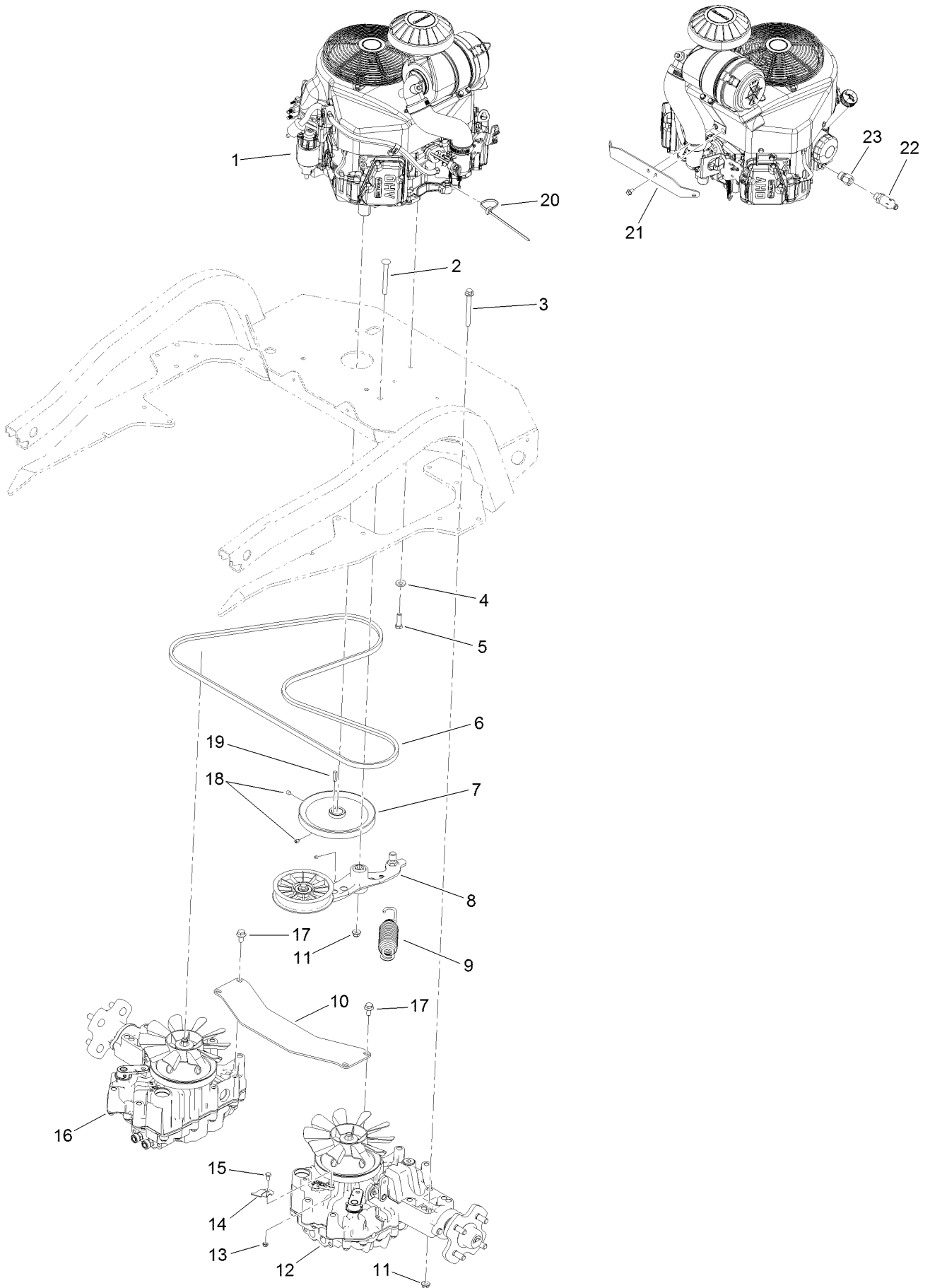
| <i>Ref.</i> | <i>Part Number</i> | <i>Qty.</i> | <i>Description</i> | <i>Ref.</i> | <i>Part Number</i> | <i>Qty.</i> | <i>Description</i> |
|-------------|--------------------|-------------|------------------------|-------------|--------------------|-------------|--------------------------|
| 1 | 138-2217 | 1 | Frame | 17 | 127-7888 | 1 | Front Cover ASM |
| 2 | 32144-10 | 8 | Screw-HWH | 17:2 | 127-4149 | 1 | Decal-Sand Pro 2040Z |
| 3 | 125-2409-03 | 1 | Cover-Control, LH | 17:3 | 132-4412 | 1 | Decal-Danger |
| 4 | 127-0353-03 | 1 | Holder-Rake | 17:4 | 133-8062 | 1 | Decal-Arrestor, Spark |
| 5 | 104-8300 | 2 | Nut-HF, NI | 17:5 | 127-7868 | 1 | Decal-Attachment Warning |
| 6 | 3230-23 | 2 | Bolt-CARR | 18 | 240-12 | 2 | Grommet-Rubber |
| 7 | 99-5107 | 2 | Nut-Lock | 19 | 127-8408 | 2 | Nut-U |
| 8 | 254-107 | 2 | Cup-Bearing, Tapered | 20 | 115-7721 | 4 | Nut-Clip, U |
| 9 | 114-8419 | 2 | Screw-HHF | 21 | 109-7232 | 2 | Decal-Motion Control |
| 10 | 125-5133-03 | 4 | Bumper-Weight | 22 | 116-5944 | 1 | Decal-Park Brake |
| 14 | 125-2410-03 | 1 | Cover-Control, RH | 24 | 127-0365 | 1 | Decal-Attachment Control |
| 15 | 2412-72 | 1 | Clip-Closed, Insulated | 25 | 3256-26 | 2 | Washer-Flat |
| 16 | 9266934 | 4 | Screw | | | | |



Tire and Caster Assembly

| <i>Ref.</i> | <i>Part Number</i> | <i>Qty.</i> | <i>Description</i> | <i>Ref.</i> | <i>Part Number</i> | <i>Qty.</i> | <i>Description</i> |
|-------------|--------------------|-------------|----------------------|-------------|--------------------|-------------|-----------------------|
| 1 | 242-50 | 8 | Nut-Lug | 5:5 | 302-5 | 1 | Fitting-Grease |
| 2 | 121-8069 | 2 | Tire ASM | 5:6 | 232-27 | 1 | Stem-Valve |
| 2:1 | 125-6465 | 1 | Tire | 5:7 | 125-6406 | 1 | Tire |
| 2:2 | 125-6464 | 1 | Rim | 6 | 125-2382-01 | 1 | Caster |
| 2:3 | 232-27 | 1 | Stem-Valve | 7 | 3296-67 | 1 | Nut-Lock, NI |
| 3 | 5-3934 | 1 | Bolt-Caster | 8 | 69-2980 | 1 | Seal |
| 4 | 74-3730 | 2 | Spacer-Spindle, Rear | 9 | 254-106 | 2 | Cone-Bearing, Tapered |
| 5 | 125-2406 | 1 | Tire ASM | 10 | 1-811010 | 1 | Plug |
| 5:1 | 125-6405 | 1 | Rim ASM | 11 | 108-9957 | 3 | Washer-Belleville |
| 5:2 | 254-79 | 2 | Bearing-Roller, Cup | 12 | 3296-51 | 1 | Nut-Lock, NI |
| 5:3 | 254-78 | 2 | Bearing-Cone | 13 | 108-9950 | 1 | Cap-Grease |
| 5:4 | 253-111 | 2 | Seal-Oil | | | | |

Engine and Transmission Assembly



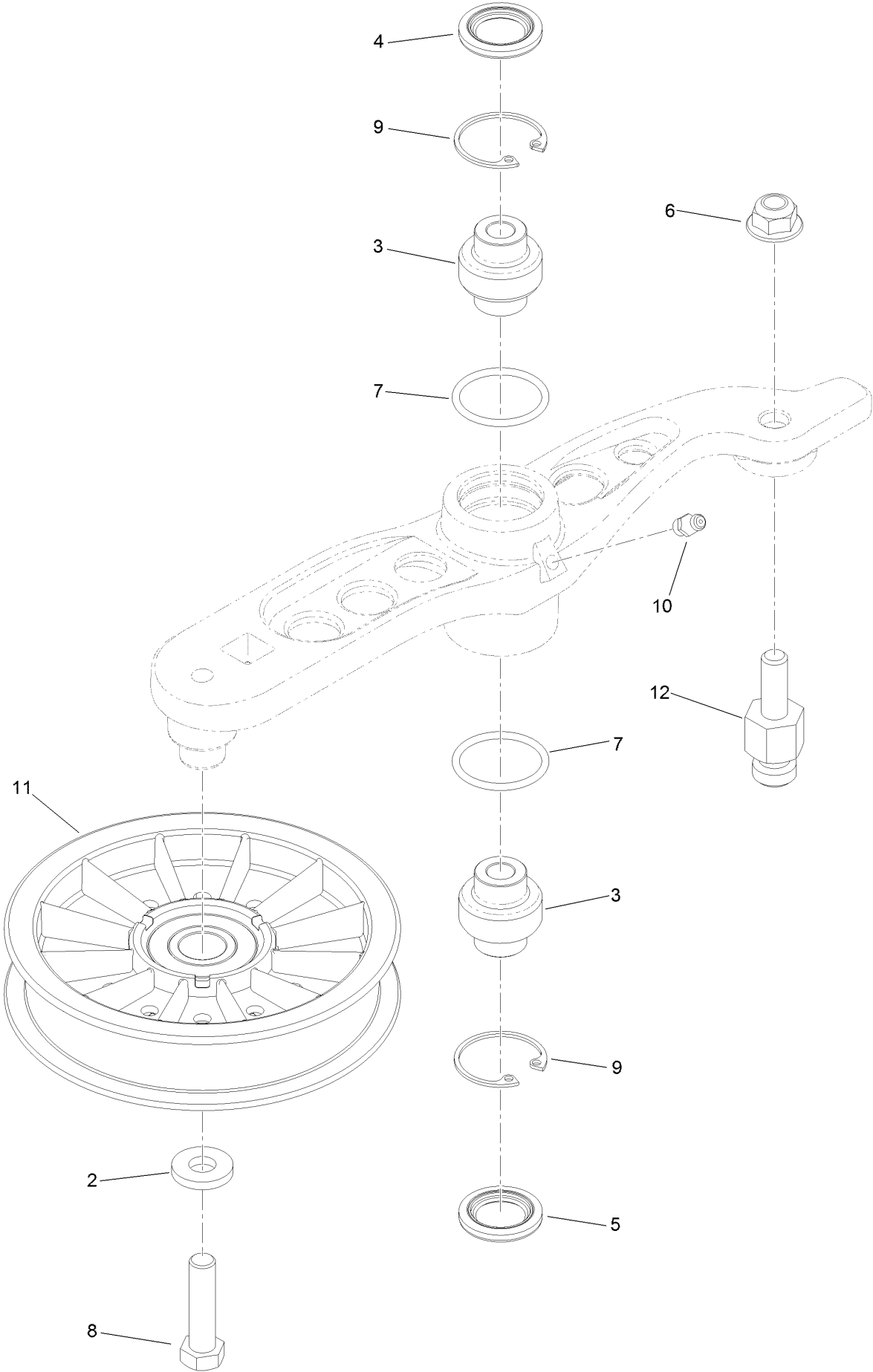
Engine and Transmission Assembly (continued)

| <i>Ref.</i> | <i>Part Number</i> | <i>Qty.</i> | <i>Description</i> | <i>Ref.</i> | <i>Part Number</i> | <i>Qty.</i> | <i>Description</i> |
|-------------|--------------------|-------------|---------------------------|-------------|--------------------|-------------|---------------------|
| 1 | | 1 | Engine-Kawasaki, Fx481 ●■ | 13 | 3296-56 | 2 | Nut-Lock, NI |
| 2 | 3231-41 | 1 | Bolt-Carriage | 14 | 127-0390 | 2 | Lever-Valve, Tow |
| 3 | 116-4701 | 16 | Screw-HHF | 15 | 321-2 | 2 | Screw-HH |
| 4 | 98-5975 | 4 | Washer-Belleville | 16 | 138-9090 | 1 | RH Transmission ASM |
| 5 | 323-7 | 4 | Screw-HH | 17 | 33105-020 | 4 | Screw-HHF |
| 6 | 120-5772 | 1 | Belt-V | 18 | 3246-3 | 2 | Screw-HSH |
| 7 | 120-5779 | 1 | Pulley | 19 | 1-807259 | 1 | Key |
| 8 | 116-1255 | 1 | Pump Idler ASM | 20 | 3290-378 | 1 | Tie-Cable |
| 9 | 127-0351 | 1 | Spring-Extension | 21 | 130-2635-03 | 1 | Bracket-Shroud |
| 10 | 125-2435-03 | 1 | Crossmember-Hydro | 22 | 92-6877 | 1 | Valve-Drain, Oil |
| 11 | 104-8301 | 17 | Nut-HF, NI | 23 | 103-1966 | 1 | Adapter-STR |
| 12 | 138-9088 | 1 | LH Transmission ASM | | | | |

● Not serviced separately

■ Obtain parts from www.kawpower.com

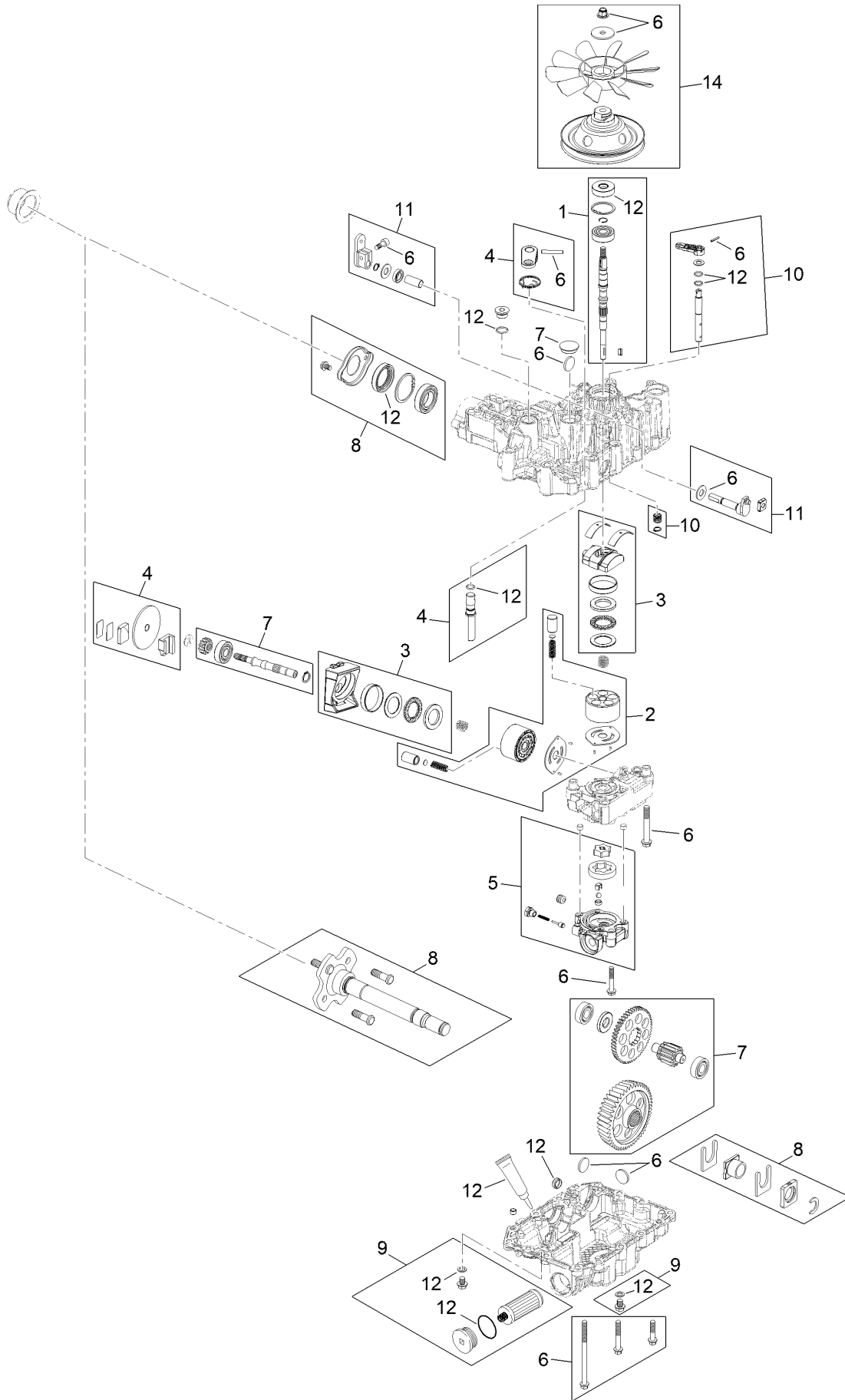
Pump Idler Assembly No. 116-1255



Pump Idler Assembly No. 116-1255 (continued)

| <i>Ref.</i> | <i>Part Number</i> | <i>Qty.</i> | <i>Description</i> | <i>Ref.</i> | <i>Part Number</i> | <i>Qty.</i> | <i>Description</i> |
|-------------|--------------------|-------------|--------------------|-------------|--------------------|-------------|--------------------|
| 2 | 43-0940 | 1 | Spacer | 8 | 323-8 | 1 | Screw-HH |
| 3 | 103-3504 | 2 | Bearing-Spherical | 9 | 32120-10 | 2 | Ring-Snap |
| 4 | 103-3505 | 1 | Seal-Lip, Double | 10 | 302-19 | 1 | Fitting-Grease |
| 5 | 103-3506 | 1 | Seal-Lip, Single | 11 | 109-8076 | 1 | Pulley-Idler |
| 6 | 109-6658 | 1 | Nut-Flange, NI | 12 | 132-4724 | 1 | Pin-Anchor, Spring |
| 7 | 106-7159 | 2 | O-Ring | | | | |

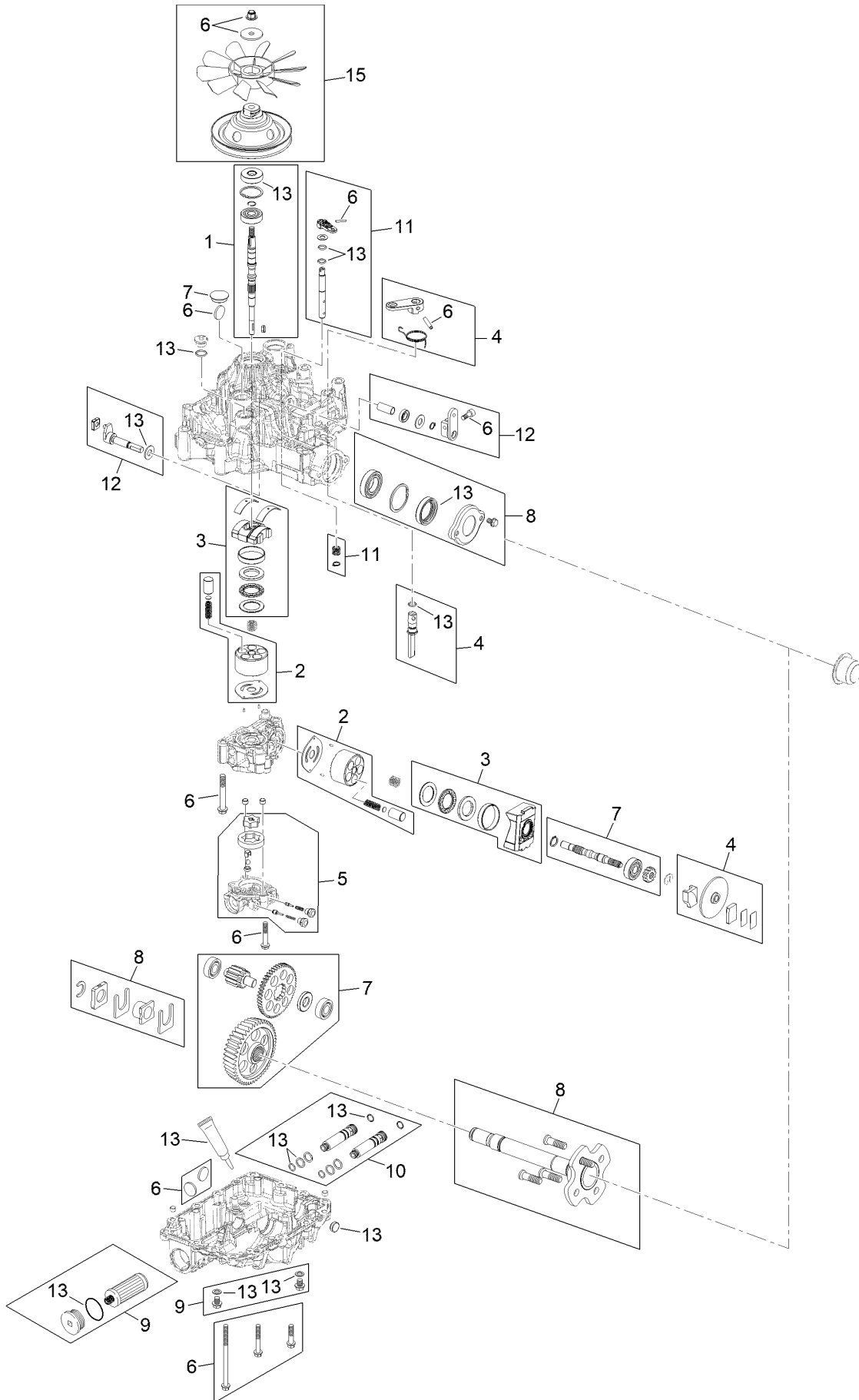
LH Transmission Assembly No. 138-9088



LH Transmission Assembly No. 138-9088 (continued)

| <i>Ref.</i> | <i>Part Number</i> | <i>Qty.</i> | <i>Description</i> | <i>Ref.</i> | <i>Part Number</i> | <i>Qty.</i> | <i>Description</i> |
|-------------|--------------------|-------------|--------------------|-------------|--------------------|-------------|--------------------|
| 1 | 127-0372 | 1 | Input Shaft Kit | 8 | 138-9110 | 1 | Axle Shaft Kit |
| 2 | 127-0373 | 1 | Pump/Motor Kit | 9 | 127-0381 | 1 | Inner Filter Kit |
| 3 | 127-0374 | 1 | Thrust Bearing Kit | 10 | 127-0383 | 1 | Bypass Valve Kit |
| 4 | 130-2607 | 1 | Left Brake Kit | 11 | 127-0384 | 1 | LH Trunion Kit |
| 5 | 127-0376 | 1 | LH Charge Pump Kit | 12 | 130-7888 | 1 | Seal Kit |
| 6 | 127-0378 | 1 | Fastener Kit | 14 | 127-0388 | 1 | Pulley/Fan Kit |
| 7 | 127-0379 | 1 | Drive Gear Kit | | | | |

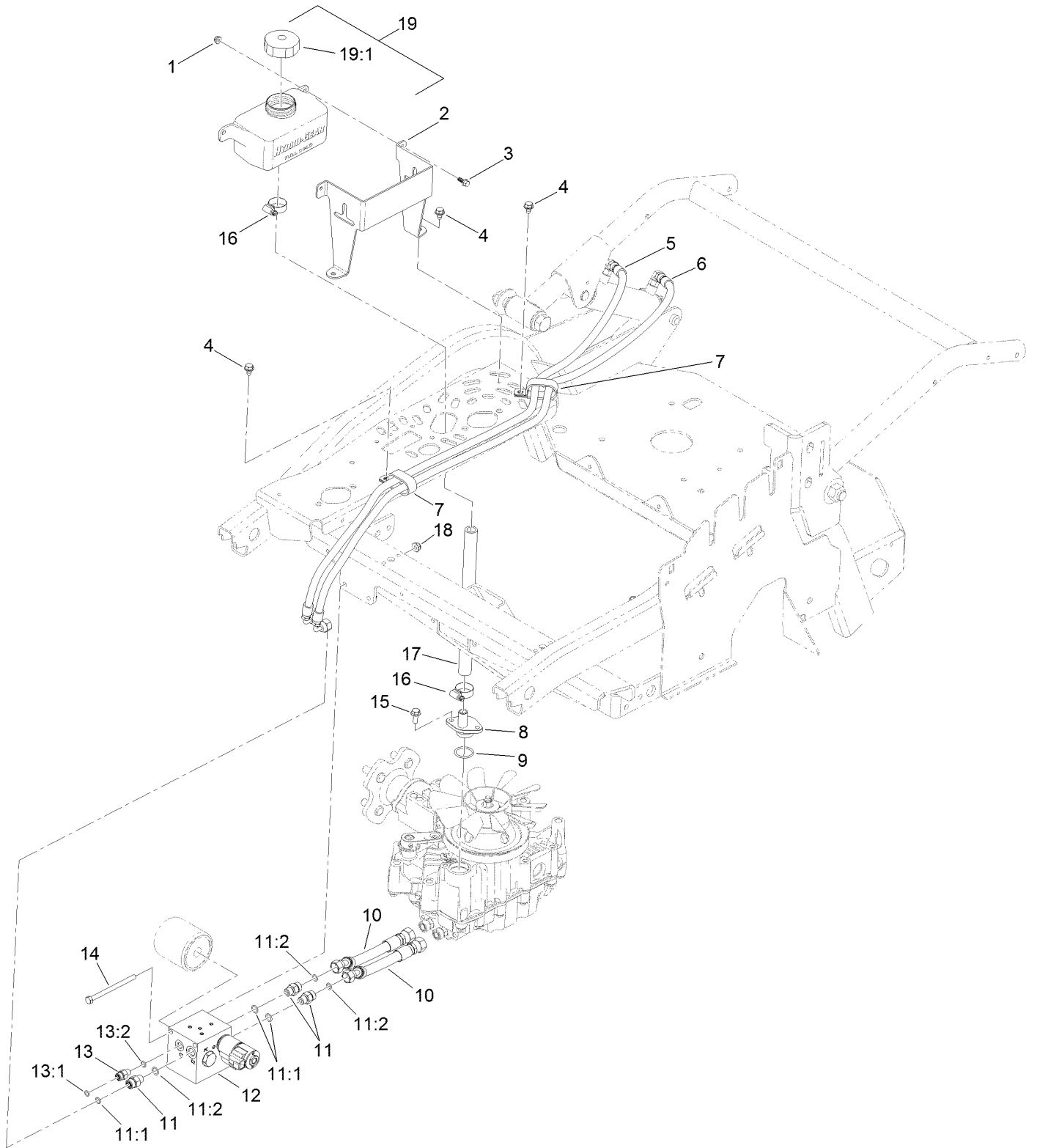
RH Transmission Assembly No. 138-9090



RH Transmission Assembly No. 138-9090 (continued)

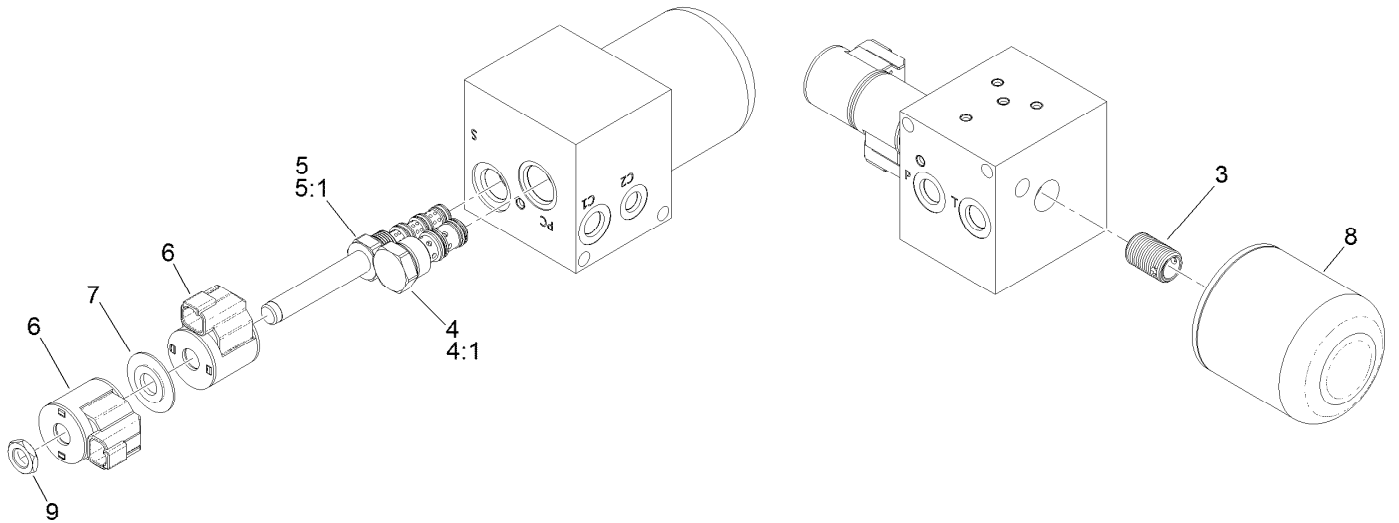
| <i>Ref.</i> | <i>Part Number</i> | <i>Qty.</i> | <i>Description</i> | <i>Ref.</i> | <i>Part Number</i> | <i>Qty.</i> | <i>Description</i> |
|-------------|--------------------|-------------|--------------------|-------------|--------------------|-------------|--------------------|
| 1 | 127-0372 | 1 | Input Shaft Kit | 8 | 138-9110 | 1 | Axle Shaft Kit |
| 2 | 127-0373 | 1 | Pump/Motor Kit | 9 | 127-0381 | 1 | Inner Filter Kit |
| 3 | 127-0374 | 1 | Thrust Bearing Kit | 10 | 127-0382 | 1 | Auxiliary Port Kit |
| 4 | 127-0375 | 1 | Right Brake Kit | 11 | 127-0383 | 1 | Bypass Valve Kit |
| 5 | 127-0377 | 1 | RH Charge Pump Kit | 12 | 127-0385 | 1 | RH Trunion Kit |
| 6 | 127-0378 | 1 | Fastener Kit | 13 | 130-7888 | 1 | Seal Kit |
| 7 | 127-0379 | 1 | Drive Gear Kit | 15 | 127-0388 | 1 | Pulley/Fan Kit |

Hydraulic Tank Assembly



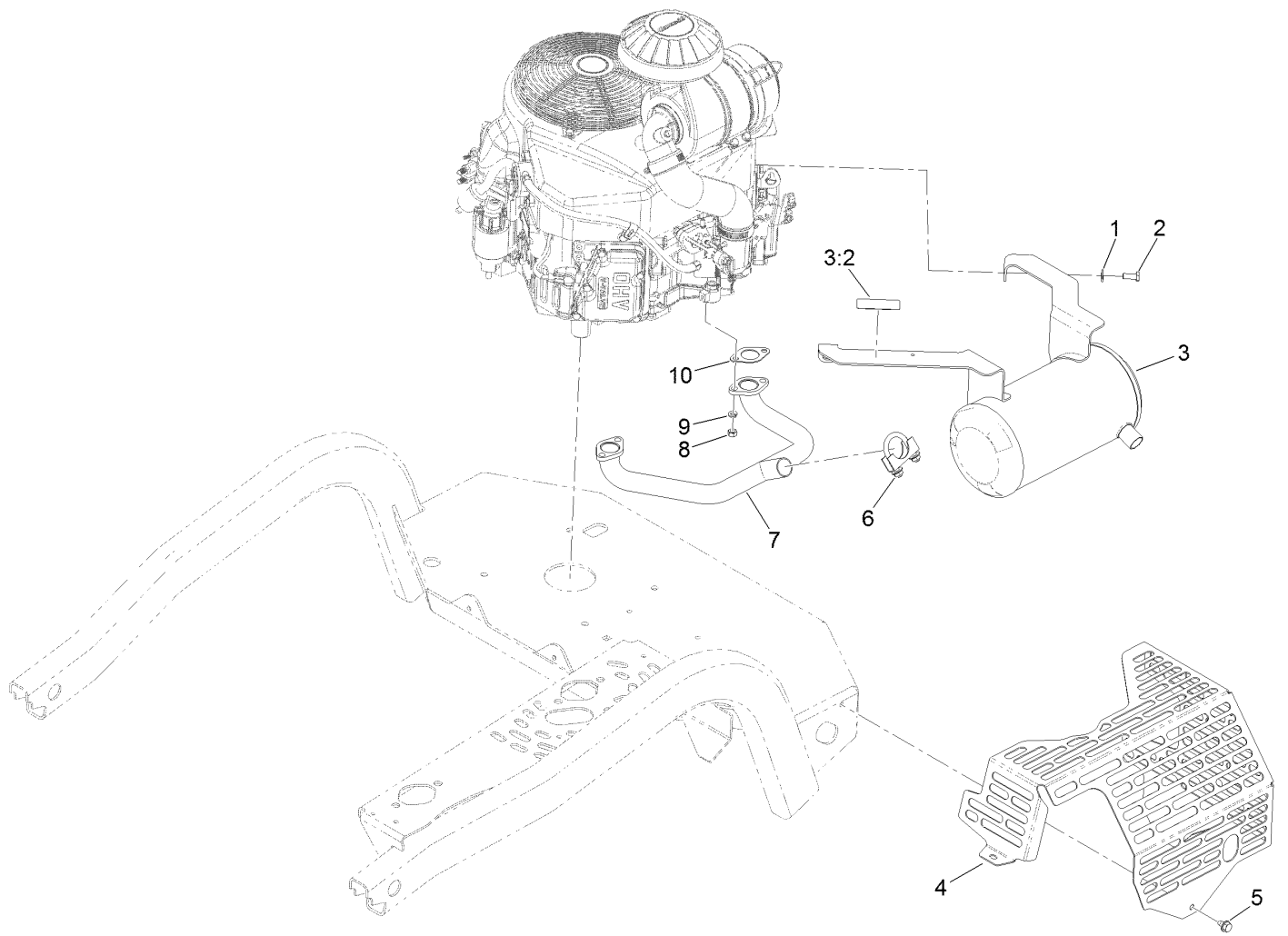
Hydraulic Tank Assembly (continued)

| <i>Ref.</i> | <i>Part Number</i> | <i>Qty.</i> | <i>Description</i> | <i>Ref.</i> | <i>Part Number</i> | <i>Qty.</i> | <i>Description</i> |
|-------------|--------------------|-------------|--------------------|-------------|--------------------|-------------|---|
| 1 | 104-7201 | 4 | Nut-HF, NI | 12 | 127-7858 | 1 | Hydraulic Manifold ASM (With Filter) |
| 2 | 125-2438-03 | 2 | Bracket-Tank | 13 | 340-92 | 1 | Fitting-Straight |
| 3 | 99-6810 | 4 | Screw-HHF | 13:1 | 237-78 | 1 | O-Ring |
| 4 | 9266934 | 6 | Screw | 13:2 | 237-21 | 1 | O-Ring |
| 5 | 125-5124 | 1 | HYD Hose ASM | 14 | 322-38 | 2 | Screw-HH |
| 6 | 125-5125 | 1 | HYD Hose ASM | 15 | 98-7977 | 2 | Screw-HHF |
| 7 | 2412-137 | 2 | Clamp-R, Double | 16 | 2412-129 | 4 | Clamp-Hose |
| 8 | 125-2449 | 2 | Fitting-Hydro | 17 | 127-0368 | 2 | Hose-Push Lok |
| 9 | 130-2615 | 2 | O-Ring | 18 | 104-8300 | 2 | Nut-HF, NI |
| 10 | 127-7877 | 2 | HYD Hose ASM | 19 | 119-9908 | 2 | Hydraulic Reservoir ASM |
| 11 | 340-2 | 3 | Fitting-Straight | 19:1 | 109-3320 | 1 | Cap-Reservoir, HYD |
| 11:1 | 237-22 | 1 | O-Ring | | | | |
| 11:2 | 237-42 | 1 | O-Ring | | | | |



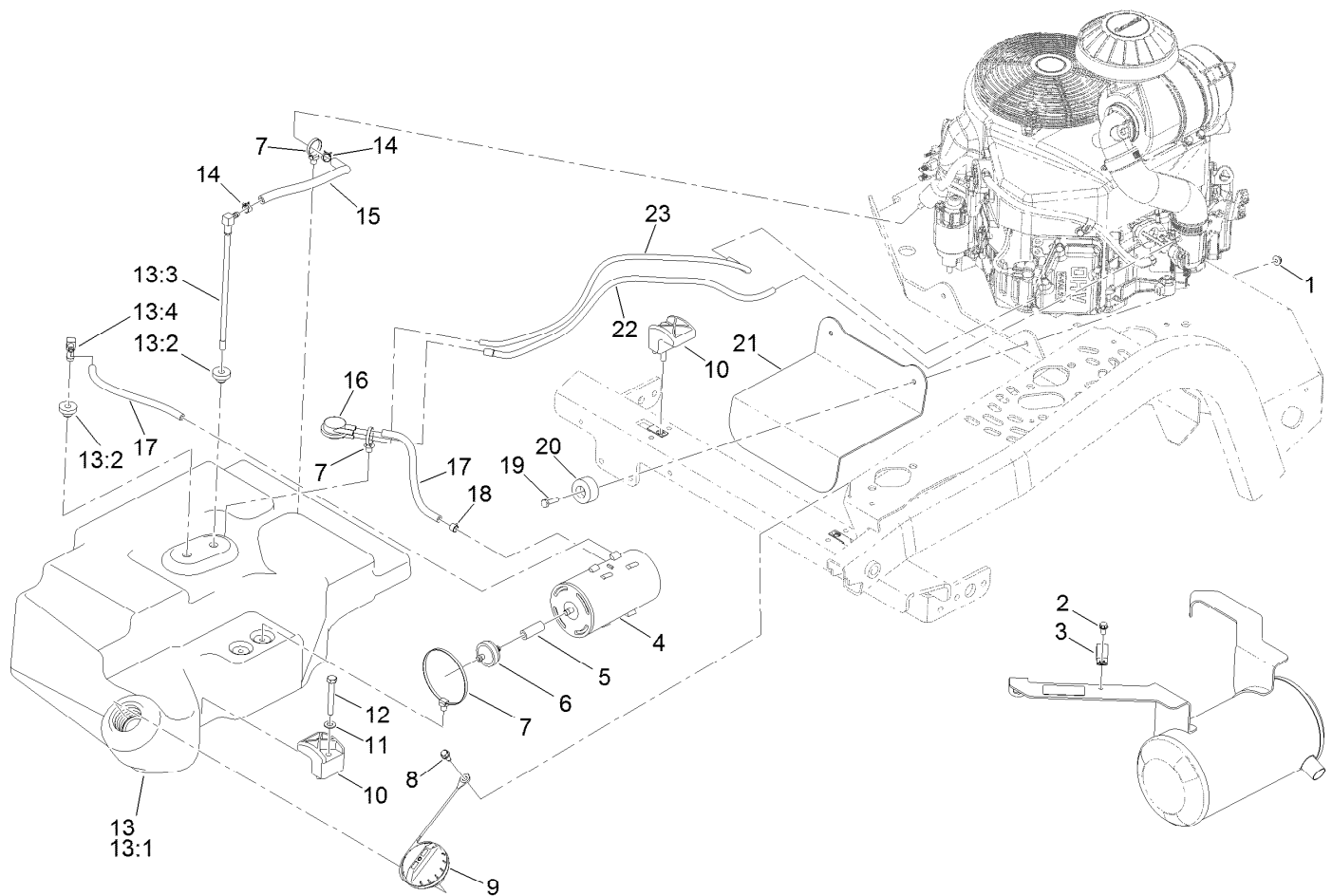
Hydraulic Manifold Assembly No. 127-7858

| <i>Ref.</i> | <i>Part Number</i> | <i>Qty.</i> | <i>Description</i> |
|-------------|--------------------|-------------|---------------------------|
| 3 | 127-3885 | 1 | Nipple-Filter |
| 4 | 127-3884 | 1 | Valve-Check |
| 4:1 | 105-9154 | 1 | Seal Kit |
| 5 | 127-3883 | 1 | Valve-Solenoid |
| 5:1 | 112-6520 | 1 | Seal Kit |
| 6 | 119-8036 | 2 | Coil |
| 7 | 120-2586 | 1 | Spacer-Coil |
| 8 | 114-3494 | 1 | Element-Filter, 25 Micron |
| 9 | 110-2634 | 1 | Nut-Coil |



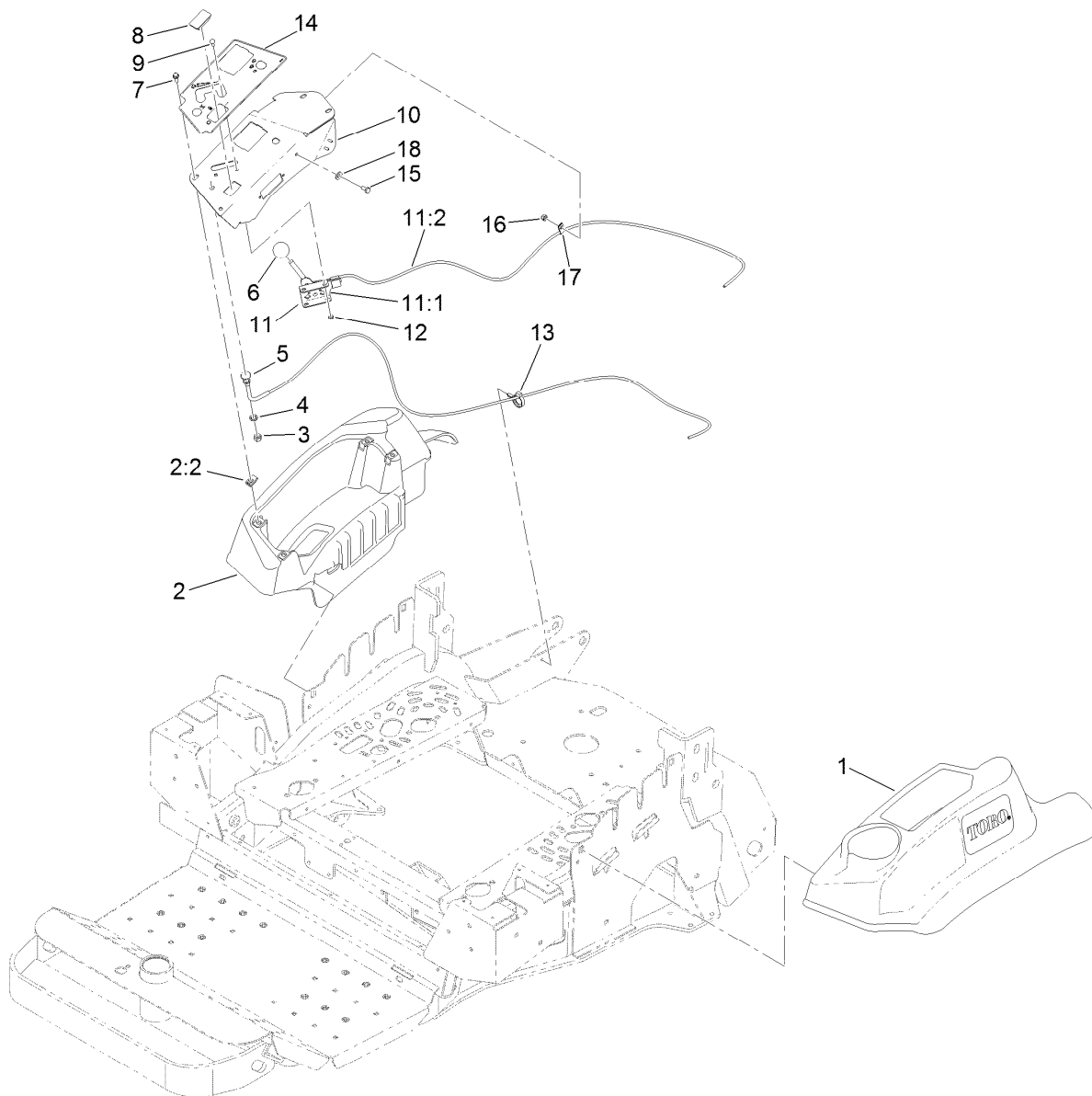
Exhaust Assembly

| Ref. | Part Number | Qty. | Description |
|------|-------------|------|-------------------|
| 1 | 1-303334 | 2 | Washer-Spring |
| 2 | 33114-020 | 2 | Screw-HH |
| 3 | 127-7889 | 1 | Muffler ASM |
| 3:2 | 127-0392 | 1 | Decal-Hot Surface |
| 4 | 127-0367-03 | 1 | Shield-Muffler |
| 5 | 9266934 | 2 | Screw |
| 6 | 104-4090 | 1 | Clamp-Muffler |
| 7 | 125-2401 | 1 | Manifold-Exhaust |
| 8 | 114-3549 | 4 | Nut |
| 9 | 114-3550 | 4 | Washer-Lock |
| 10 | 1-653313 | 2 | Gasket-Exhaust |



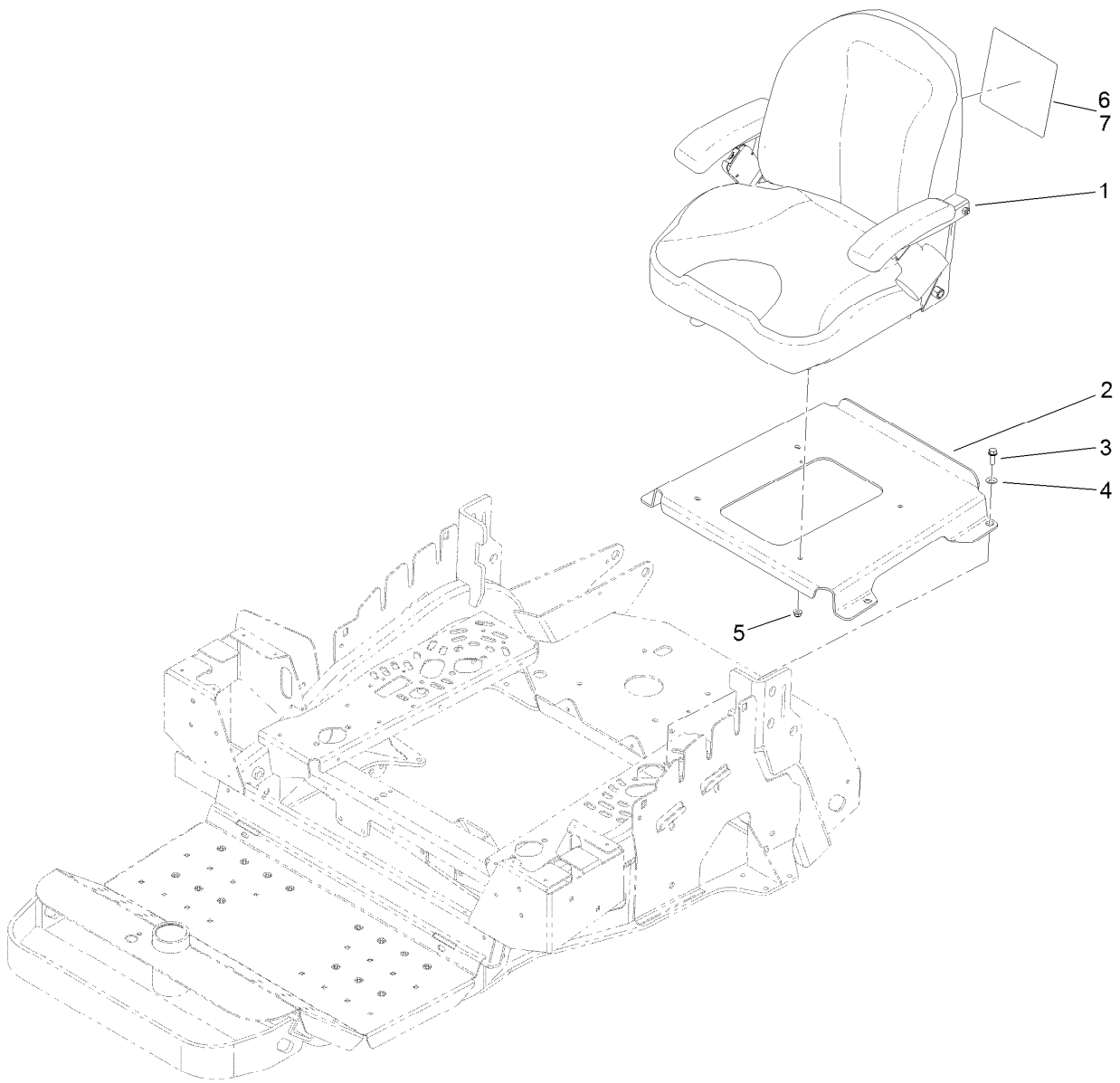
Fuel Tank and Emissions Recovery Assembly

| Ref. | Part Number | Qty. | Description | Ref. | Part Number | Qty. | Description |
|------|-------------|------|---------------------|------|-------------|------|----------------------------------|
| 1 | 104-7201 | 2 | Nut-HF, NI | 13:2 | 46-6560 | 2 | Bushing |
| 2 | 32144-4 | 1 | Screw-HWH | 13:3 | 119-8584 | 1 | Fitting-Fuel (W/Line And Screen) |
| 3 | 2412-105 | 1 | Clamp-Tube, Double | 13:4 | 116-2288 | 1 | Fitting-Elbow, 90 DEG |
| 4 | 127-8685 | 1 | Canister-Carbon | 14 | 2412-98 | 2 | Clamp-Hose |
| 5 | 106-5317 | 1 | Hose-Fuel | 15 | 110-3447 | 1 | Hose-Fuel |
| 6 | 115-7854 | 1 | Filter-Fuel, Inline | 16 | 116-2232 | 1 | Valve-Control, Vacuum |
| 7 | 32180-118 | 4 | Clip-Tie | 17 | 68-3633 | 2 | Hose-Fuel |
| 8 | 32144-10 | 1 | Screw-HWH | 18 | 2412-80 | 1 | Clamp-Hose |
| 9 | 117-1722 | 1 | Cap-Fuel | 19 | 321-6 | 2 | Screw-HH |
| 10 | 107-4543 | 2 | Clamp | 20 | 94-4548 | 2 | Bumper-Recessed |
| 11 | 3256-23 | 2 | Washer-Plain | 21 | 125-6426-01 | 1 | Bracket-Mount, Tank |
| 12 | 33114-060 | 2 | Screw-HH | 22 | 125-6485 | 1 | Hose-Vent, Formed |
| 13 | 127-0397 | 1 | Fuel Tank ASM | 23 | 125-6484 | 1 | Hose-Vent, Formed |
| 13:1 | 125-0236 | 1 | Tank-Fuel | | | | |



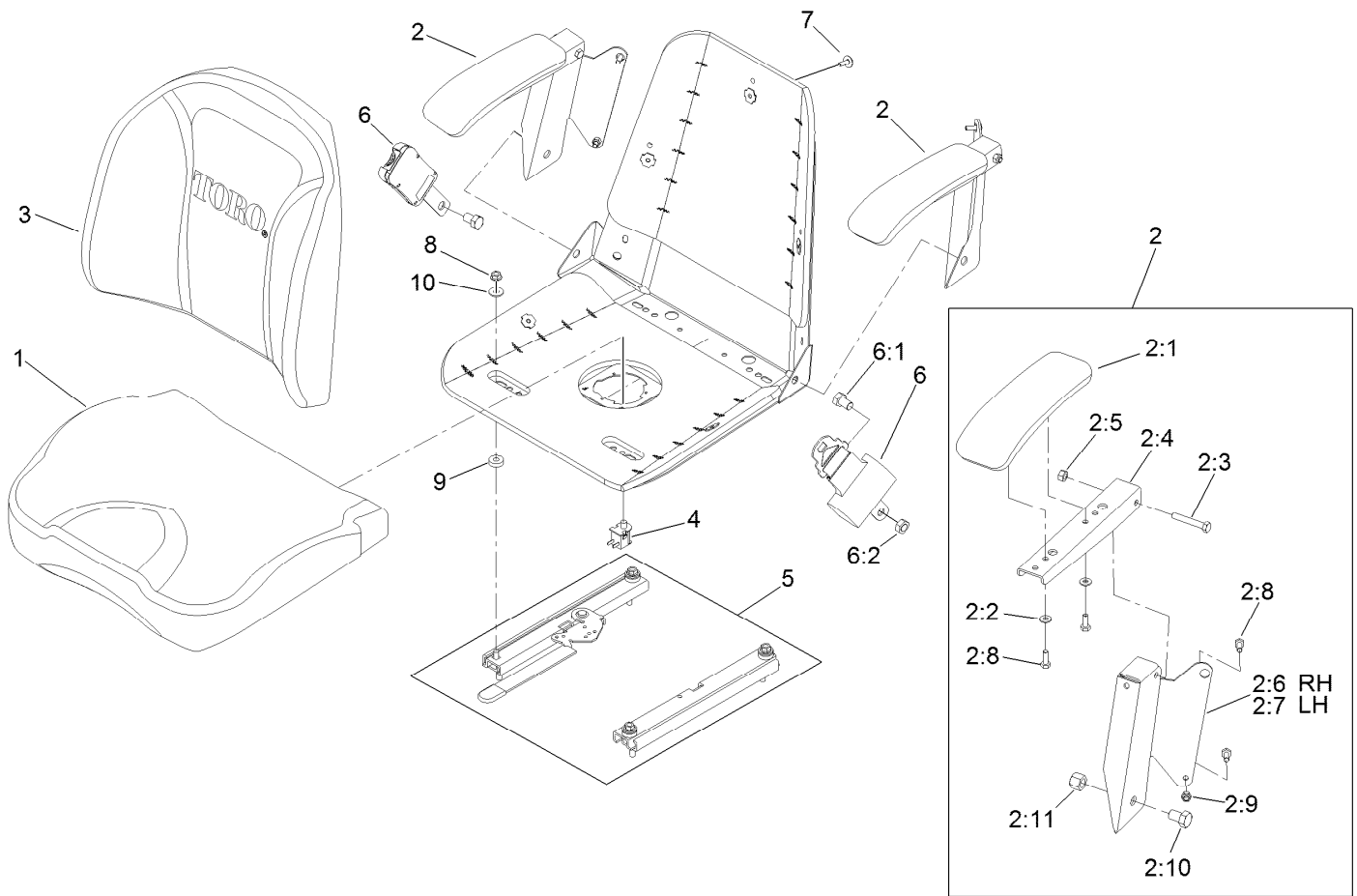
Engine Controls and Console Assembly

| <i>Ref.</i> | <i>Part Number</i> | <i>Qty.</i> | <i>Description</i> | <i>Ref.</i> | <i>Part Number</i> | <i>Qty.</i> | <i>Description</i> |
|-------------|--------------------|-------------|-----------------------|-------------|--------------------|-------------|------------------------|
| 1 | 119-2602 | 1 | Console-LH | 11 | 110-5727 | 1 | Throttle Control ASM |
| 2 | 119-2603 | 1 | RH Console ASM | 11:1 | 112-2334 | 1 | Lever-Throttle |
| 2:2 | 107069 | 4 | Clip | 11:2 | 110-5728 | 1 | Cable-Throttle |
| 3 | 3219-3 | 1 | Nut-Hex | 12 | 3296-2 | 2 | Nut-Lock, NI |
| 4 | 3254-6 | 1 | Washer-Lock, Internal | 13 | 105-1853 | 1 | Clamp-Hose |
| 5 | 115-2753 | 1 | Control-Choke | 14 | 125-0214 | 1 | Decal-Panel, Control |
| 6 | 1-603175 | 1 | Knob-Ball | 15 | 321-3 | 1 | Screw-HH |
| 7 | 32105-15 | 4 | Screw-HWH | 16 | 3296-42 | 1 | Nut-Lock, NI |
| 8 | 99-7420 | 1 | Plug-Hole | 17 | 2412-72 | 1 | Clip-Closed, Insulated |
| 9 | 3229-34 | 2 | Screw-CARR | 18 | 3256-22 | 1 | Washer-Flat |
| 10 | 125-0213-03 | 1 | Panel-Control | | | | |



Seat Assembly

| <i>Ref.</i> | <i>Part Number</i> | <i>Qty.</i> | <i>Description</i> |
|-------------|--------------------|-------------|---------------------|
| 1 | 120-7886 | 1 | Seat |
| 2 | 127-4118-03 | 1 | Plate-Support, Seat |
| 3 | 3234-29 | 4 | Screw-HHF |
| 4 | 3256-3 | 4 | Washer-Flat |
| 5 | 104-8300 | 4 | Nut-HF, NI |
| 6 | 127-0371 | 1 | Decal-Service |
| 7 | 130-2620 | 1 | Decal-Service, CE |

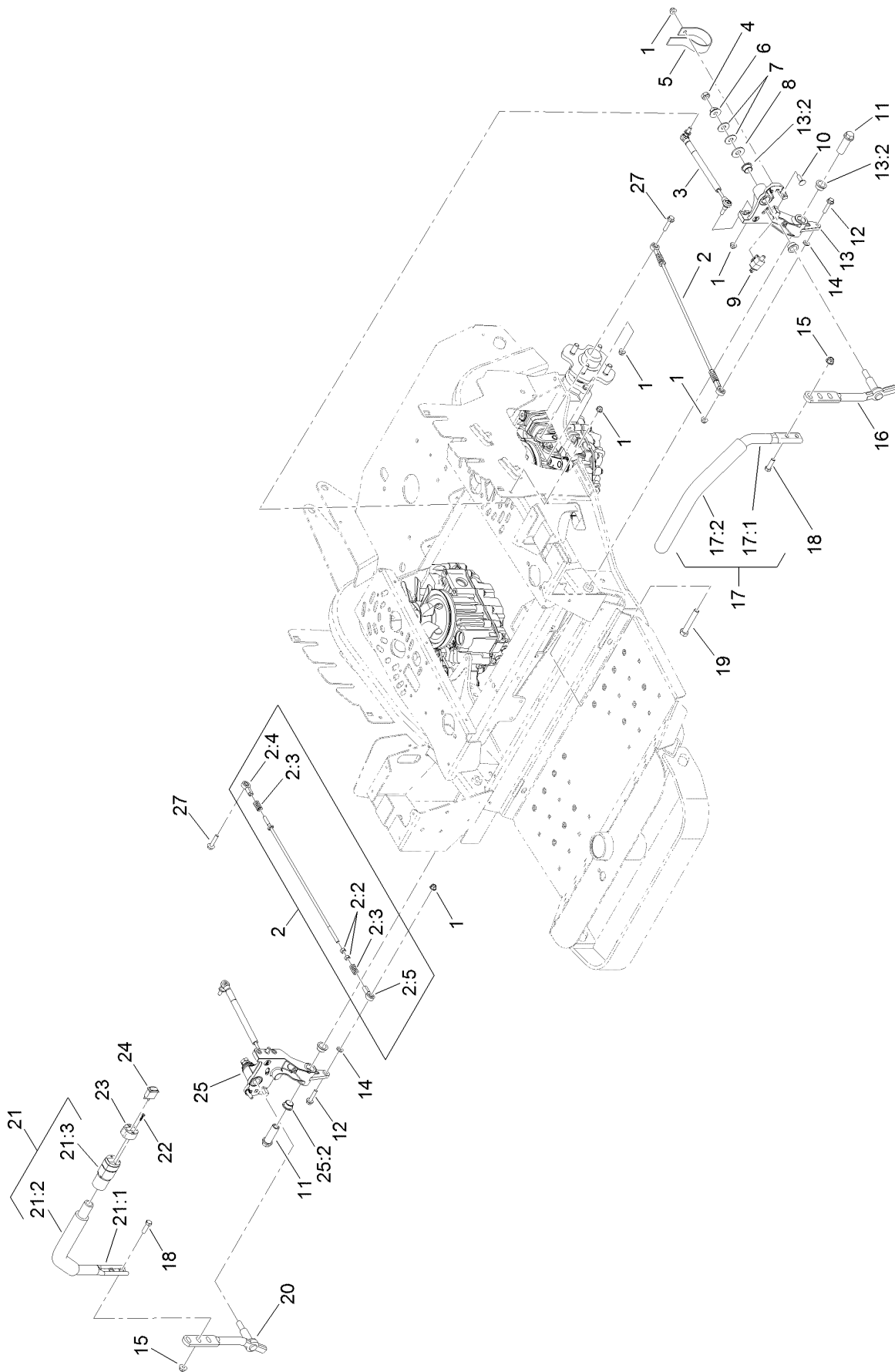


Seat Assembly No. 120-7886

| Ref. | Part Number | Qty. | Description |
|------|-------------|------|----------------------|
| 1 | 121-4751 | 1 | Cushion-Seat, Bottom |
| 2 | 110-5719 | 1 | Armrest Kit |
| 2:1 | 110-4163 | 2 | Cushion-Rest, Arm |
| 2:2 | 3256-22 | 4 | Washer-Flat |
| 2:3 | 322-10 | 2 | Screw-HH |
| 2:4 | 105-3623 | 2 | Channel-Armrest |
| 2:5 | 32153-3 | 2 | Nut-Hex, Side Deform |
| 2:6 | 105-3621 | 1 | Bracket-Armrest, RH |
| 2:7 | 105-3622 | 1 | Bracket-Armrest, LH |
| 2:8 | 321-30 | 8 | Screw-HH |
| 2:9 | 3296-42 | 4 | Nut-Lock, NI |
| 2:10 | 325-2 | 2 | Screw-HH |

| Ref. | Part Number | Qty. | Description |
|------|-------------|------|----------------------|
| 2:11 | 3296-23 | 2 | Nut-Lock, NI |
| 3 | 121-4752 | 1 | Cushion-Seat, Back |
| 4 | 82-2190 | 1 | Switch-Bail |
| 5 | 121-4754 | 1 | Track-Seat |
| 6 | 116-2981 | 1 | Seat Belt Kit |
| 6:1 | 325-2 | 2 | Screw-HH |
| 6:2 | 3296-23 | 2 | Nut-Lock, NI |
| 7 | 103-8383 | 7 | Bolt-Seat |
| 8 | 32128-20 | 4 | Nut-HF |
| 9 | 26-4840 | 8 | Spacer-Pin, Mounting |
| 10 | 3256-3 | 6 | Washer-Flat |

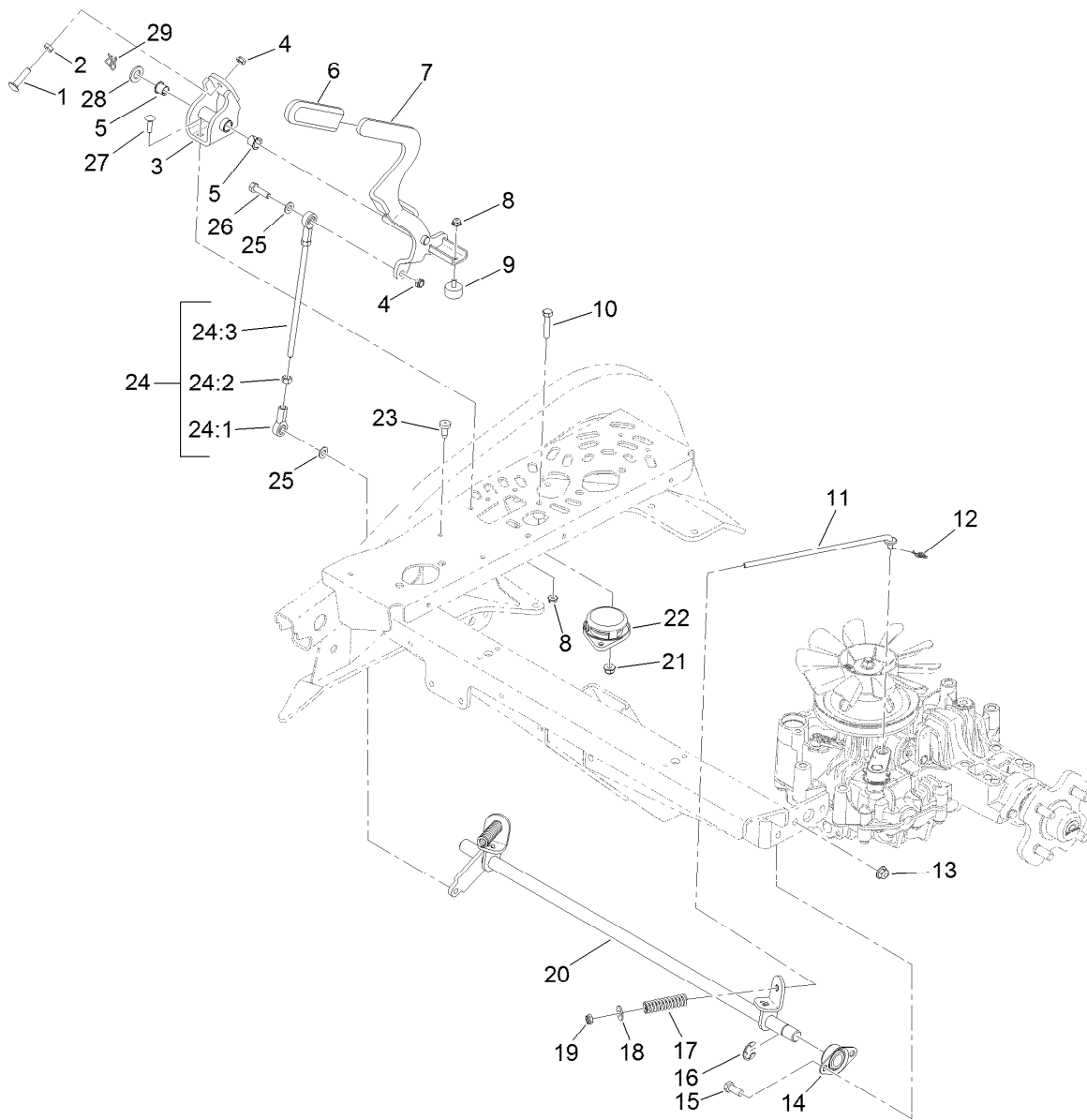
Motion Control Assembly



Motion Control Assembly (continued)

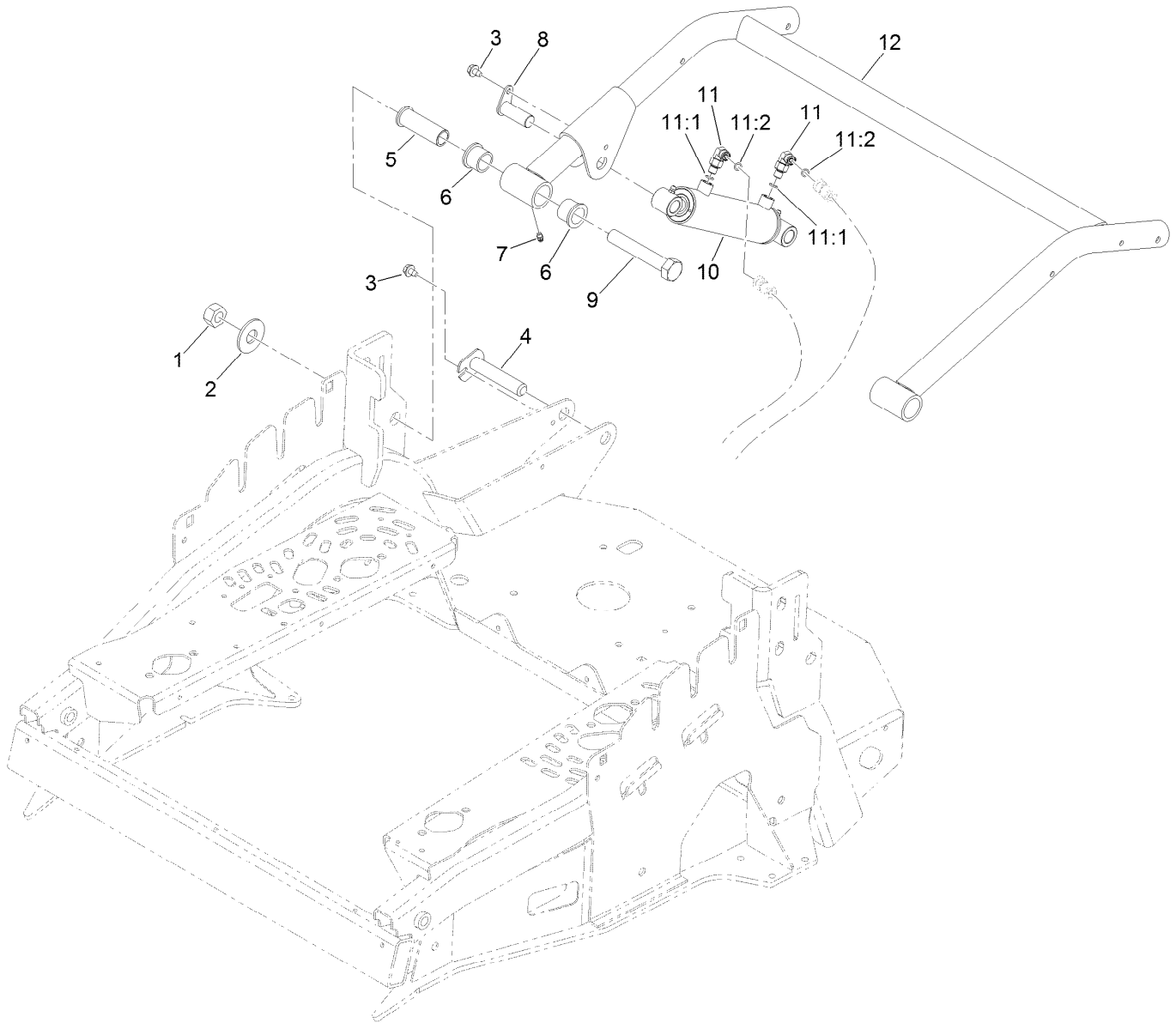
| <i>Ref.</i> | <i>Part Number</i> | <i>Qty.</i> | <i>Description</i> | <i>Ref.</i> | <i>Part Number</i> | <i>Qty.</i> | <i>Description</i> |
|-------------|--------------------|-------------|-----------------------------------|-------------|--------------------|-------------|-----------------------------------|
| 1 | 104-8300 | 10 | Nut-HF, NI | 15 | 104-8301 | 4 | Nut-HF, NI |
| 2 | 109-8107 | 2 | Pump Linkage Rear ASM | 16 | 116-0040 | 1 | Lever-Control Motion, LH |
| 2:2 | 3219-2 | 2 | Nut-Hex | 17 | 135-4373 | 1 | LH Handle ASM |
| 2:3 | 1-323245 | 2 | Spring-Compression | 17:1 | | 1 | Handle-LH ● |
| 2:4 | 1-633152 | 1 | Balljoint-LH | 17:2 | 109-5668 | 1 | Grip-Lever, Control |
| 2:5 | 1-543017 | 1 | Balljoint-RH | 18 | 323-7 | 4 | Screw-HH |
| 3 | 116-0027 | 2 | Damper-Control, Motion | 19 | 325-12 | 2 | Screw-HH |
| 4 | 3218-5 | 2 | Nut-Jam | 20 | 116-0039 | 1 | Lever-Control Motion, RH |
| 5 | 109-5575 | 2 | Spring-Leaf | 21 | 135-4807 | 1 | RH Handle W/Grip ASM |
| 6 | 32128-56 | 2 | Nut-HF | 21:1 | | 1 | Handle-RH ● |
| 7 | 109-9505 | 4 | Washer-Spring | 21:2 | | 1 | Grip-Lever, Control ● |
| 8 | 3256-6 | 2 | Washer-Flat | 21:3 | 125-2662 | 1 | Case ASM |
| 9 | 110-6765 | 2 | Switch | 22 | 94-4496 | 2 | Screw-PPH |
| 10 | 3230-2 | 2 | Bolt-CARR | 23 | 121-3399 | 1 | Cap-Switch |
| 11 | 109-5891 | 2 | Hub-Threaded | 24 | 121-6574 | 1 | Switch, Spst (On)-Off-(On) |
| 12 | 115-1794 | 2 | Screw-HHF | 25 | 116-0880 | 1 | RH Motion Control And Bushing ASM |
| 13 | 116-0881 | 1 | LH Motion Control And Bushing ASM | 25:2 | 109-8054 | 4 | Bushing-Flange |
| 13:2 | 109-8054 | 4 | Bushing-Flange | 27 | 119-4036 | 2 | Screw-HHF |
| 14 | 3256-23 | 2 | Washer-Plain | | | | |

● Not serviced separately



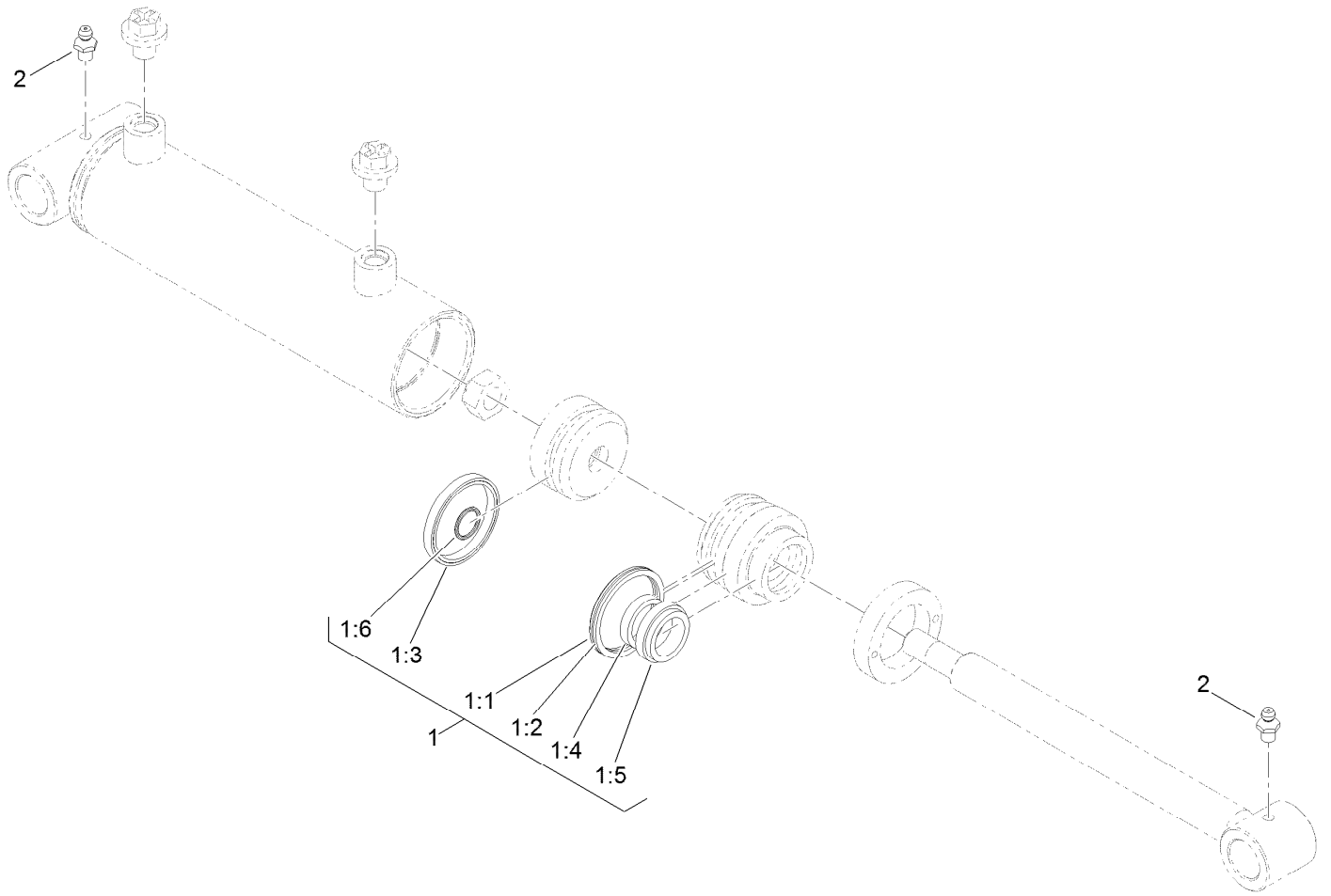
Brake Installation Assembly

| Ref. | Part Number | Qty. | Description | Ref. | Part Number | Qty. | Description |
|------|-------------|------|-----------------------|------|-------------|------|--------------------|
| 1 | 112-6950 | 1 | Screw-CARR | 17 | 130-7874 | 2 | Spring-Compression |
| 2 | 3218-2 | 1 | Nut-Hex Jam | 18 | 3256-3 | 2 | Washer-Flat |
| 3 | 121-8148-03 | 1 | Bracket-Handle, Brake | 19 | 3296-20 | 2 | Nut-Lock, NI |
| 4 | 3296-47 | 3 | Nut-Lock,NI | 20 | 125-0209-03 | 1 | Shaft-Brake |
| 5 | 256-257 | 2 | Bushing-Nyliner | 21 | 104-8300 | 2 | Nut-HF, NI |
| 6 | 1-633268 | 1 | Grip-Lever | 22 | 92-6282 | 1 | Switch-Seat |
| 7 | 125-0201-03 | 1 | Handle-Brake | 23 | 87-8460 | 1 | Bumper-Rubber |
| 8 | 104-7201 | 3 | Nut-HF, NI | 24 | 125-0202 | 1 | Rod-Adjustment |
| 9 | 240-14 | 1 | Bumper-Rubber | 24:1 | 1-543017 | 2 | Balljoint-RH |
| 10 | 322-8 | 2 | Screw-HH | 24:2 | 3219-2 | 2 | Nut-Hex |
| 11 | 125-2351 | 2 | Rod | 24:3 | 127-7857 | 1 | Rod-Brake |
| 12 | 116-6639 | 2 | Pin-Cotter, Locking | 25 | 3256-23 | 3 | Washer-Plain |
| 13 | 104-8301 | 4 | Nut-HF, NI | 26 | 322-16 | 2 | Screw-HH |
| 14 | 1-633102 | 2 | Bearing-Flange, Side | 27 | 3229-2 | 2 | Screw-CARR |
| 15 | 323-5 | 4 | Screw-HH | 28 | 106-9888 | 1 | Washer-Flat |
| 16 | 32151-48 | 1 | E-Ring | 29 | 112-1491 | 1 | Pin-Cotter |



Lift Valve Installation Assembly

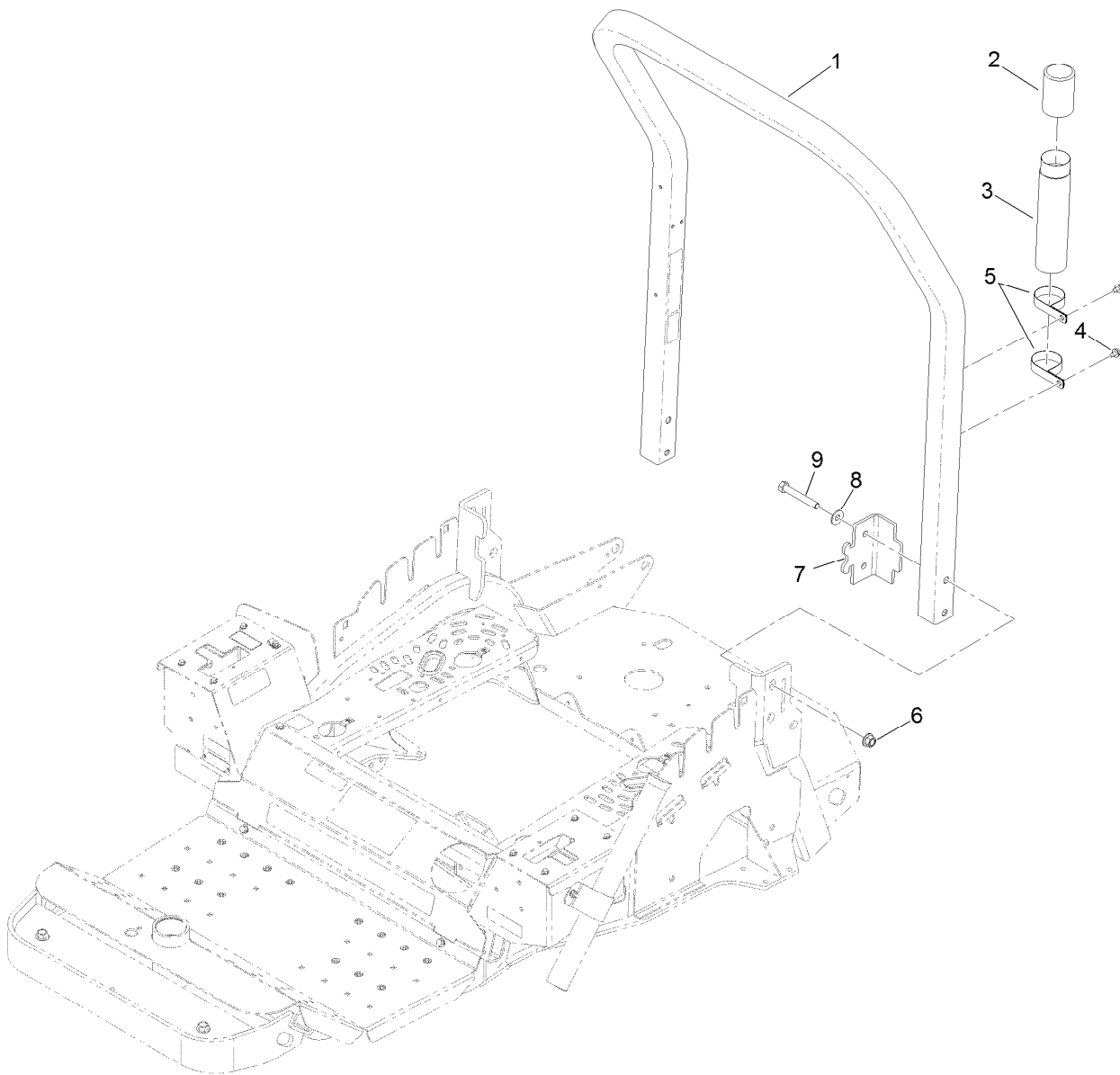
| Ref. | Part Number | Qty. | Description |
|------|-------------|------|-----------------------|
| 1 | 120-7252 | 2 | Nut-Lock |
| 2 | 3256-8 | 2 | Washer-Flat |
| 3 | 9266934 | 2 | Screw |
| 4 | 120-3199 | 1 | Pin-Pivot |
| 5 | 125-2445 | 2 | Sleeve-Pivot |
| 6 | 94-8949 | 4 | Bushing-Flange |
| 7 | 302-5 | 2 | Fitting-Grease |
| 8 | 108-2905 | 1 | Pin ASM |
| 9 | 328-8 | 2 | Screw-HH |
| 10 | 125-6466 | 1 | HYD Cylinder ASM |
| 11 | 340-132 | 2 | Fitting-Elbow, 90 DEG |
| 11:1 | 237-78 | 1 | O-Ring |
| 11:2 | 237-21 | 1 | O-Ring |
| 12 | 125-2441-03 | 1 | Lift-Groomer |



Hydraulic Cylinder Assembly No. 125-6466

| <i>Ref.</i> | <i>Part Number</i> | <i>Qty.</i> | <i>Description</i> |
|-------------|--------------------|-------------|--------------------|
| 1 | 127-3880 | 1 | Seal Kit |
| 1:1 | | 1 | O-Ring ● |
| 1:2 | | 1 | Seal-Back Up ● |
| 1:3 | | 1 | Psp Seal ● |
| 1:4 | | 1 | Bt Seal ● |
| 1:5 | | 1 | Dust Seal ● |
| 1:6 | | 1 | O-Ring ● |
| 2 | 302-5 | 2 | Fitting-Grease |

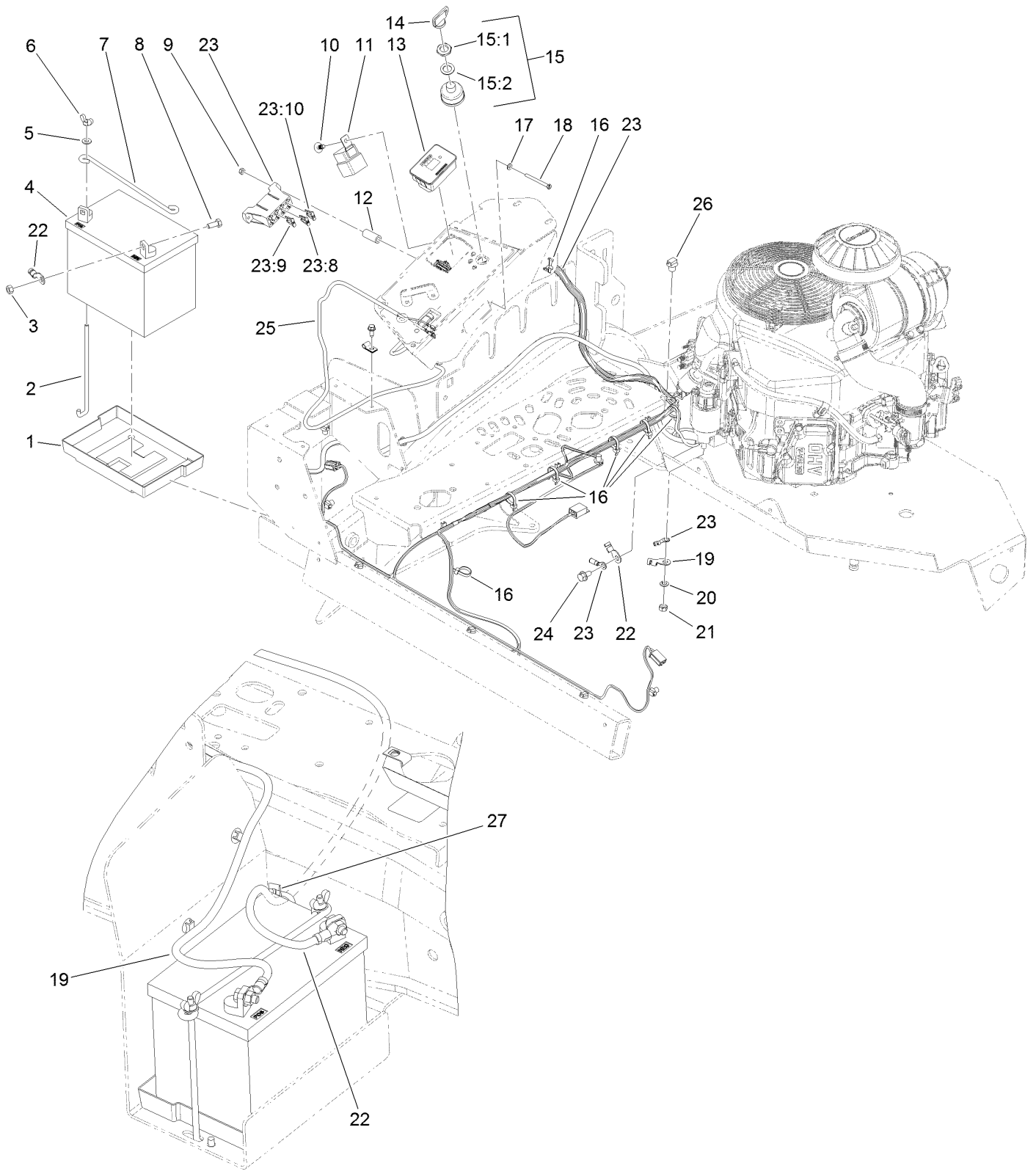
● Not serviced separately



Roll-Over Protection System Assembly

| <i>Ref.</i> | <i>Part Number</i> | <i>Qty.</i> | <i>Description</i> |
|-------------|--------------------|-------------|--------------------|
| 1 | 127-0398 | 1 | ROPS ASM |
| 2 | 104-7048 | 1 | Cap-Housing |
| 3 | 104-7050 | 1 | Tube-Manual |
| 4 | 9266934 | 2 | Screw |
| 5 | 2412-133 | 2 | Clamp-R |
| 6 | 99-5107 | 4 | Nut-Lock |
| 7 | 125-2398-01 | 2 | Bracket-ROPS |
| 8 | 109-9505 | 4 | Washer-Spring |
| 9 | 325-14 | 4 | Screw-HH |

Battery and Electrical System Assembly



Battery Cables

Battery and Electrical System Assembly (continued)

| <i>Ref.</i> | <i>Part Number</i> | <i>Qty.</i> | <i>Description</i> | <i>Ref.</i> | <i>Part Number</i> | <i>Qty.</i> | <i>Description</i> |
|-------------|--------------------|-------------|------------------------|-------------|--------------------|-------------|-------------------------|
| 1 | 106948 | 1 | Tray-Battery | 15:2 | 3254-5 | 1 | Washer-Lock |
| 2 | 100-6435 | 2 | Post-Battery | 16 | 3290-379 | 7 | Tie-Cable |
| 3 | 3217-6 | 2 | Nut-Hex | 17 | 120-9680 | 2 | Washer-Flat |
| 4 | 99-7421 | 1 | Battery | 18 | 32105-14 | 2 | Screw-SHH |
| 5 | 3256-22 | 2 | Washer-Flat | 19 | 122-0143 | 1 | Cable-Battery, Positive |
| 6 | 32103-22 | 2 | Nut-Wing | 20 | 3253-4 | 1 | Washer-Lock |
| 7 | 100-6434 | 1 | Rod-Hold Down, Battery | 21 | 3218-13 | 1 | Nut-Jam, Brass |
| 8 | 322-3 | 2 | Screw-HH | 22 | 122-0085 | 1 | Cable-Battery, Negative |
| 9 | 3296-2 | 2 | Nut-Lock, NI | 23 | 122-1380 | 1 | Harness-Wire |
| 10 | 104-0395 | 2 | Plug-Plastic | 23:8 | 109102 | 1 | Fuse-Blade, 25 Amp |
| 11 | 99-7430 | 2 | Relay-Mini | 23:9 | 218-578 | 1 | Fuse-Blade, 10 Amp |
| 12 | 103-0384 | 2 | Spacer | 23:10 | 109101 | 1 | Fuse-Blade, 20 Amp |
| 13 | 116-5609 | 1 | Module ASM | 24 | 33104-016 | 1 | Screw-HHF |
| 14 | 63-8360 | 2 | Key-Ignition | 25 | 121-8893 | 1 | Harness-Handle, Control |
| 15 | 83-0020 | 1 | Switch-Ignition | 26 | 32180-030 | 1 | Clip-Tie |
| 15:1 | 218-461 | 1 | Nut-HH | 27 | 32180-078 | 1 | Clip-Edge |

Attachments and Accessories

For 08706 Sand Pro 2040Z Traction Unit

| Product Name | Model/Part |
|--|-------------------|
| Flex Tooth Rake..... | 08716 |
| Nail Drag..... | 08717 |
| Finish Drag | 08718 |
| Broom Finishing Kit..... | 08719 |
| Speed Limiter Kit | 08720 |
| Light Kit..... | 08721 |
| 400 Hour Maintenance Kit | 08725 |
| Spark Arrestor Screen | 104-6540 |
| Premium Transmission/Hydraulic Tractor Fluid (55 Gallon Drum)..... | 108-1183 |
| Premium Transmission/Hydraulic Tractor Fluid (5 Gallon Pail) | 108-1184 |
| Premium All Purpose Grease (Tube) | 108-1190 |
| Filter-Air | 108-3811 |
| Bimini Folding Shade Assembly | 115-4510 |
| Fuel Stabilizer (4oz)..... | 117-0089 |
| Fuel Stabilizer (16oz)..... | 117-0090 |
| Oil Filter | 119-5852 |
| Fuel Filter..... | 121-4570 |
| Premium Engine Oil 10w30 (5 Gallon Pail) | 121-6393 |
| Tire Assembly | 125-6462 |
| Seat Isolation Kit..... | 125-6469 |
| Bag Kit | 127-0359 |
| Rubber Trowel Kit | 130-2629 |
| Rake Holder Kit..... | 130-7876 |
| Speed Plate Kit | 130-7877 |
| Spark Plug | 92-2153 |
| Filter Minder Gauge | 99-4664 |

Notes:



Count on it.