



**Count on it.**

**Parts Catalog**

**Sand Pro® 2040Z**

**Traction Unit**

Model No. 08706—Serial No. 403300001 and Up



# Ordering Replacement Parts

To order replacement parts, please supply the part number, the quantity, and the description of each part desired.

## Understanding Reference Numbers

Each identified part in an illustration has a reference number. The reference number for a part also appears in the parts list, along with other information about the part.

This catalog uses two special reference number formats, one to indicate parts in a service assembly and another to indicate the quantity of a given part in an illustration.

## Service Assembly Reference Numbers

Parts in service assemblies have reference numbers in the form a:b. The a represents the reference number of the entire service assembly and the b represents a sequential number unique to each part within the service assembly.

For example, a wheel assembly might be identified by reference number 6, the tire by 6:1, the valve by 6:2, and the wheel by 6:3. When you order the assembly identified by reference number 6, you receive all parts identified by reference numbers 6:1, 6:2, and 6:3. However, you may also order any part individually. Reference numbers of this type appear in illustration and in parts lists.

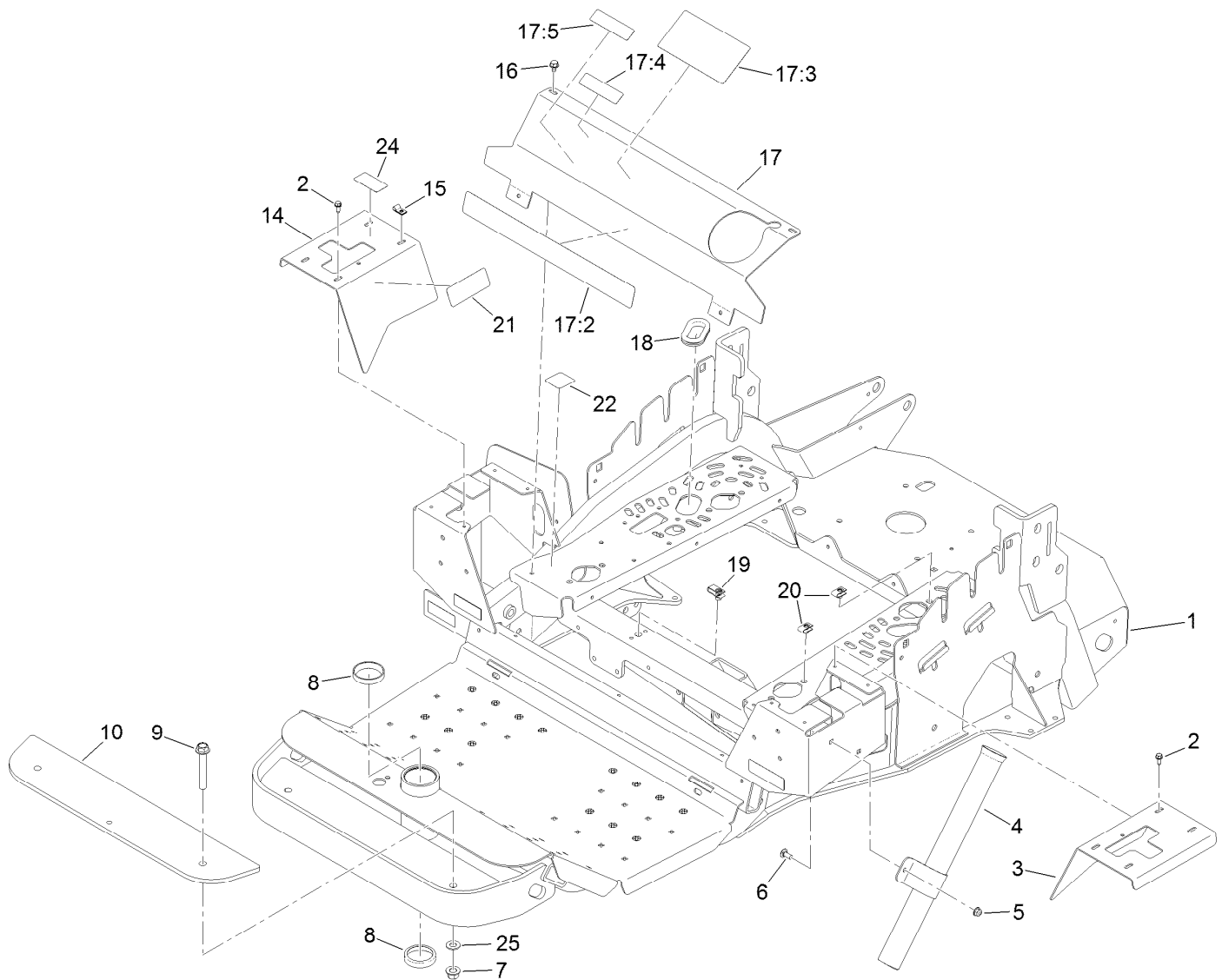
## Reference Numbers Indicating Quantity

In an illustration, if a reference number indicates more than one part, the reference number has the form nX y. The n represents the quantity of the part, the X is the multiplication symbol, and the y represents the reference number.

For example, in an illustration, the reference number 2X 37 means that two of the parts identified by reference number 37 are indicated.

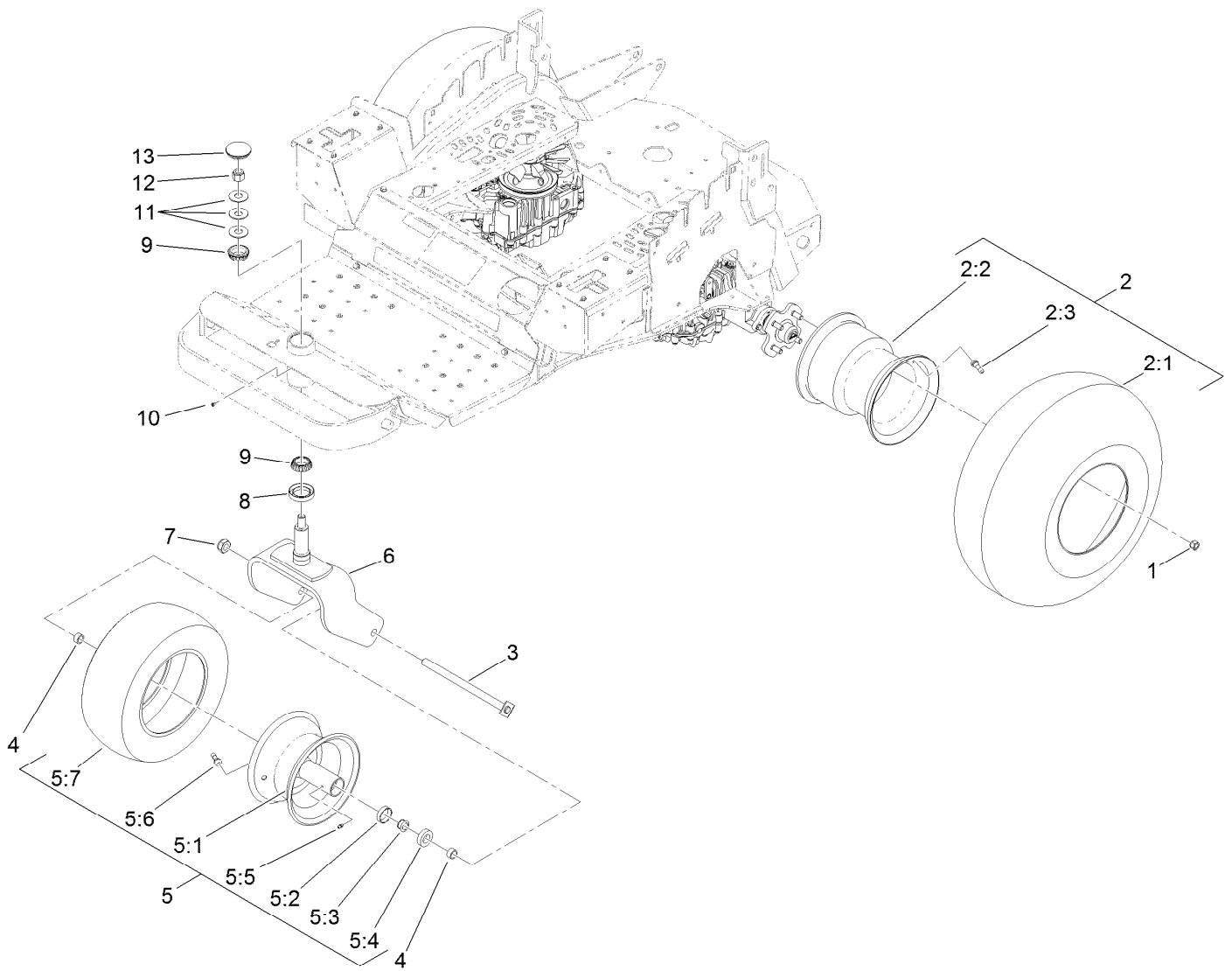
# Contents

Main Frame Assembly . . . . .	4
Tire and Caster Assembly . . . . .	5
Engine and Transmission Assembly . . . . .	6
Pump Idler Assembly No. 116-1255 . . . . .	8
LH Transmission Assembly No. 130-7890 . . . . .	10
RH Transmission Assembly No. 130-7892 . . . . .	12
Hydraulic Tank Assembly . . . . .	14
Hydraulic Manifold Assembly No. 127-7858 . . . . .	16
Exhaust Assembly . . . . .	17
Fuel Tank and Emissions Recovery Assembly . . . . .	18
Engine Controls and Console Assembly . . . . .	19
Seat Assembly . . . . .	20
Seat Assembly No. 120-7886 . . . . .	21
Motion Control Assembly . . . . .	22
Brake Installation Assembly . . . . .	24
Lift Valve Installation Assembly . . . . .	25
Hydraulic Cylinder Assembly No. 125-6466 . . . . .	26
Roll-Over Protection System Assembly . . . . .	27
Battery and Electrical System Assembly . . . . .	28
Attachments and Accessories . . . . .	30



## Main Frame Assembly

<i>Ref.</i>	<i>Part Number</i>	<i>Qty.</i>	<i>Description</i>	<i>Ref.</i>	<i>Part Number</i>	<i>Qty.</i>	<i>Description</i>
1	138-2217	1	Frame	17	127-7888	1	Front Cover ASM
2	32144-10	8	Screw-HWH	17:2	127-4149	1	Decal-Sand Pro 2040Z
3	125-2409-03	1	Cover-Control, LH	17:3	132-4412	1	Decal-Danger
4	127-0353-03	1	Holder-Rake	17:4	133-8062	1	Decal-Arrestor, Spark
5	104-8300	2	Nut-HF, NI	17:5	127-7868	1	Decal-Attachment Warning
6	3230-23	2	Bolt-CARR	18	240-12	2	Grommet-Rubber
7	99-5107	2	Nut-Lock	19	127-8408	2	Nut-U
8	254-107	2	Cup-Bearing, Tapered	20	115-7721	4	Nut-Clip, U
9	114-8419	2	Screw-HHF	21	109-7232	2	Decal-Motion Control
10	125-5133-03	4	Bumper-Weight	22	116-5944	1	Decal-Park Brake
14	125-2410-03	1	Cover-Control, RH	24	127-0365	1	Decal-Attachment Control
15	2412-72	1	Clip-Closed, Insulated	25	3256-26	2	Washer-Flat
16	9266934	4	Screw				

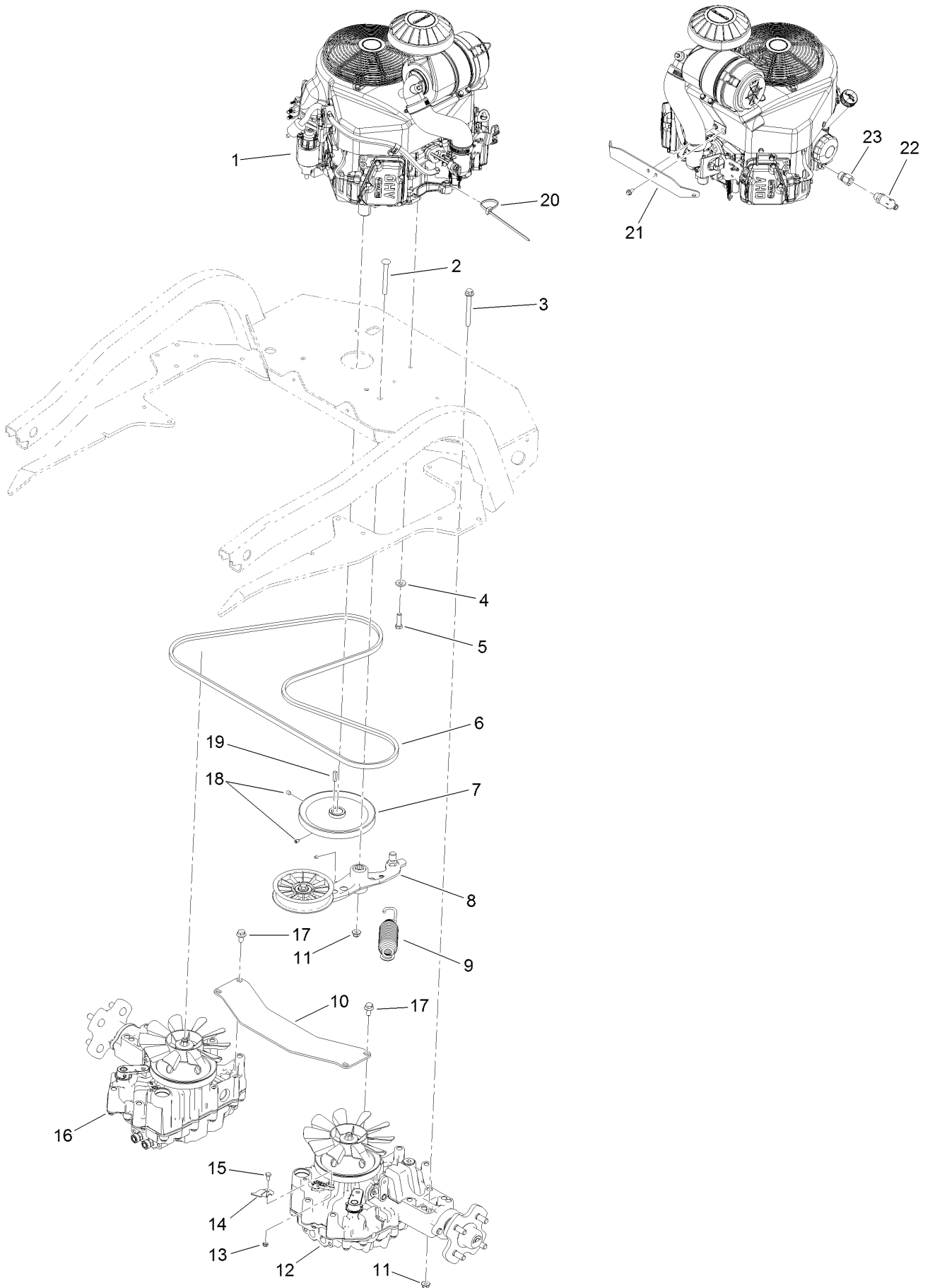


## Tire and Caster Assembly

Ref.	Part Number	Qty.	Description
1	242-50	8	Nut-Lug
2	121-8069	2	Tire ASM
2:1	125-6465	1	Tire
2:2	125-6464	1	Rim
2:3	232-27	1	Stem-Valve
3	5-3934	1	Bolt-Caster
4	74-3730	2	Spacer-Spindle, Rear
5	125-2406	1	Tire ASM
5:1	125-6405	1	Rim ASM
5:2	254-79	2	Bearing-Roller, Cup
5:3	254-78	2	Bearing-Cone
5:4	253-111	2	Seal-Oil

Ref.	Part Number	Qty.	Description
5:5	302-5	1	Fitting-Grease
5:6	232-27	1	Stem-Valve
5:7	125-6406	1	Tire
6	125-2382-01	1	Caster
7	3296-67	1	Nut-Lock, NI
8	69-2980	1	Seal
9	254-106	2	Cone-Bearing, Tapered
10	1-811010	1	Plug
11	108-9957	3	Washer-Belleville
12	3296-51	1	Nut-Lock, NI
13	108-9950	1	Cap-Grease

# Engine and Transmission Assembly



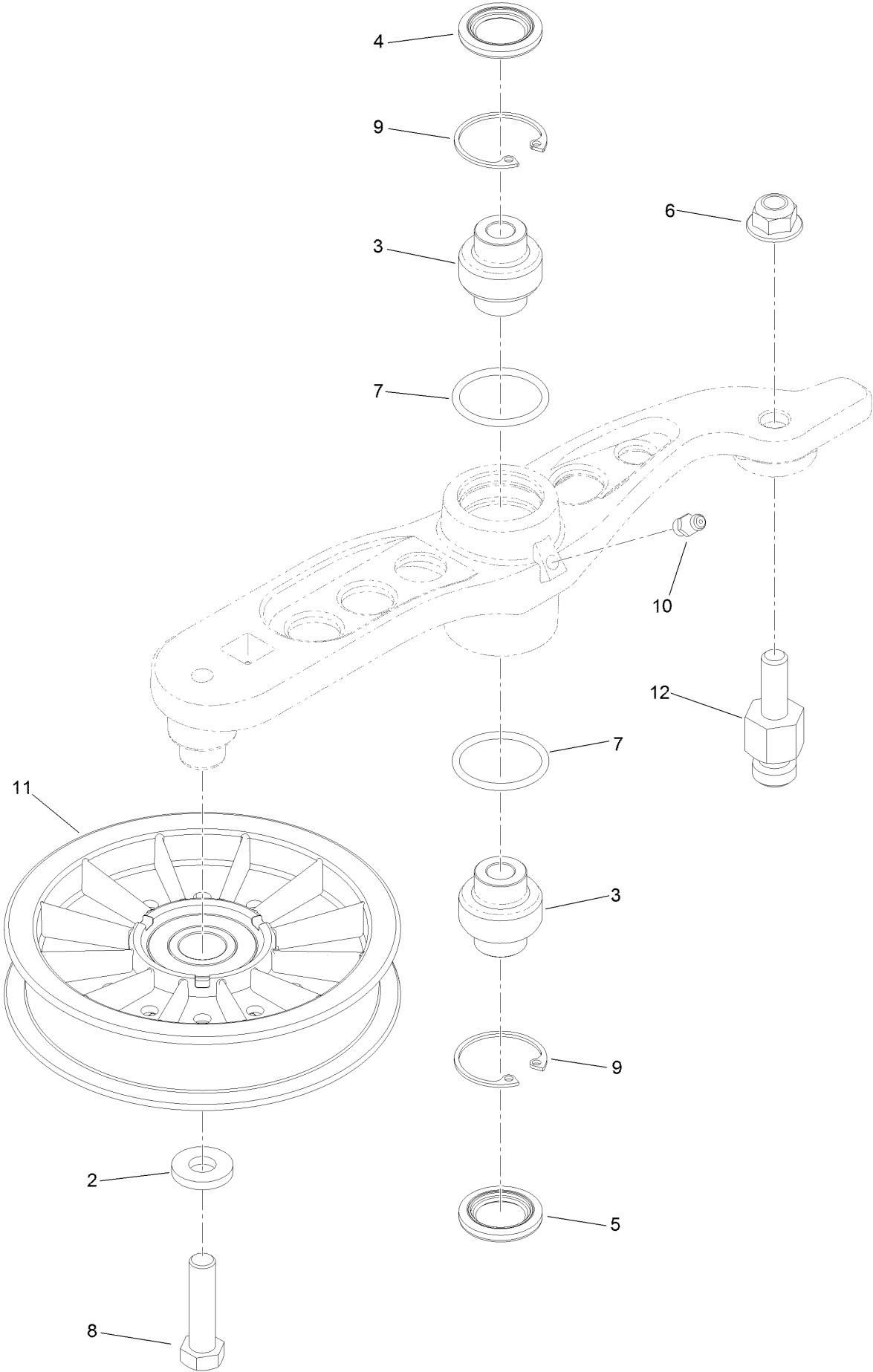
## Engine and Transmission Assembly (continued)

<i>Ref.</i>	<i>Part Number</i>	<i>Qty.</i>	<i>Description</i>	<i>Ref.</i>	<i>Part Number</i>	<i>Qty.</i>	<i>Description</i>
1		1	Engine-Kawasaki, Fx481 ■●	13	3296-56	2	Nut-Lock, NI
2	3231-41	1	Bolt-Carriage	14	127-0390	2	Lever-Valve, Tow
3	116-4701	16	Screw-HHF	15	321-2	2	Screw-HH
4	98-5975	4	Washer-Belleville	16	130-7892	1	RH Transmission ASM
5	323-7	4	Screw-HH	17	33105-020	4	Screw-HHF
6	120-5772	1	Belt-V	18	3246-3	2	Screw-HSH
7	120-5779	1	Pulley	19	1-807259	1	Key
8	116-1255	1	Pump Idler ASM	20	3290-378	1	Tie-Cable
9	127-0351	1	Spring-Extension	21	130-2635-03	1	Bracket-Shroud
10	125-2435-03	1	Crossmember-Hydro	22	92-6877	1	Valve-Drain, Oil
11	104-8301	17	Nut-HF, NI	23	103-1966	1	Adapter-STR
12	130-7890	1	LH Transmission ASM				

● Not serviced separately

■ Obtain parts from [www.kawpower.com](http://www.kawpower.com)

# Pump Idler Assembly No. 116-1255

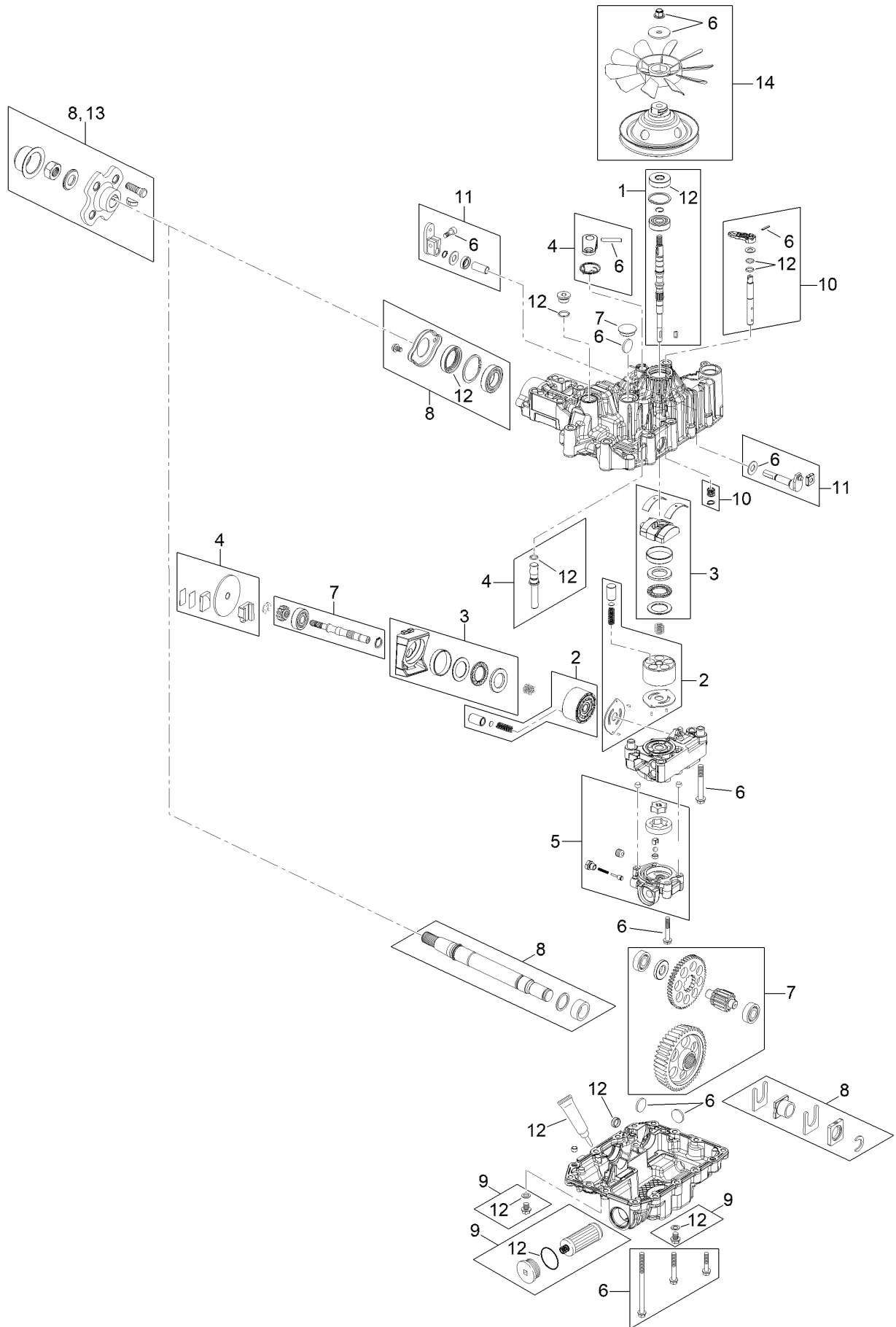




## Pump Idler Assembly No. 116-1255 (continued)

<i>Ref.</i>	<i>Part Number</i>	<i>Qty.</i>	<i>Description</i>	<i>Ref.</i>	<i>Part Number</i>	<i>Qty.</i>	<i>Description</i>
2	43-0940	1	Spacer	8	323-8	1	Screw-HH
3	103-3504	2	Bearing-Spherical	9	32120-10	2	Ring-Snap
4	103-3505	1	Seal-Lip, Double	10	302-19	1	Fitting-Grease
5	103-3506	1	Seal-Lip, Single	11	109-8076	1	Pulley-Idler
6	109-6658	1	Nut-Flange, NI	12	132-4724	1	Pin-Anchor, Spring
7	106-7159	2	O-Ring				

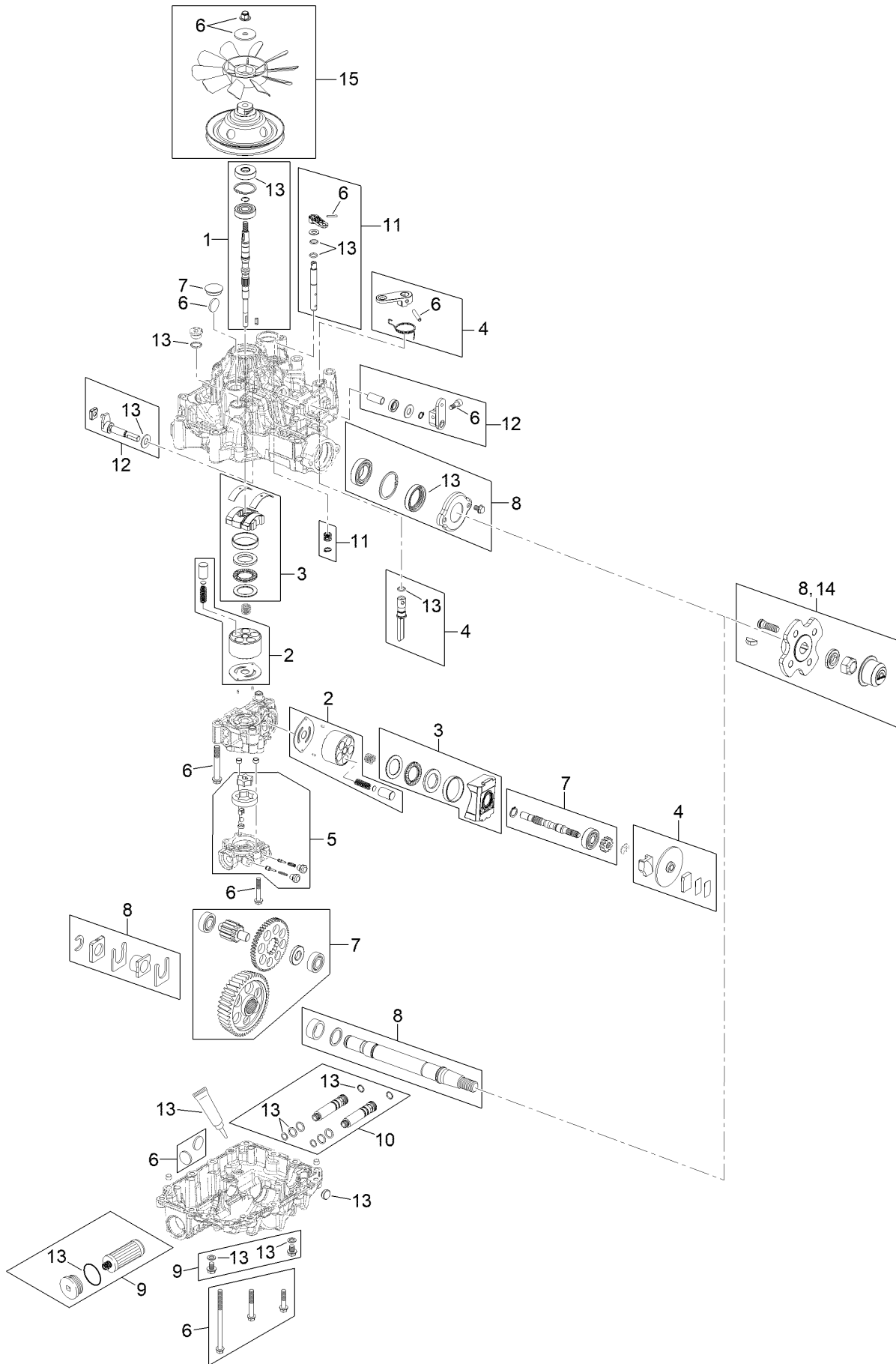
# LH Transmission Assembly No. 130-7890



# LH Transmission Assembly No. 130-7890 (continued)

<i>Ref.</i>	<i>Part Number</i>	<i>Qty.</i>	<i>Description</i>	<i>Ref.</i>	<i>Part Number</i>	<i>Qty.</i>	<i>Description</i>
1	127-0372	1	Input Shaft Kit	8	127-0380	1	Axle Kit
2	127-0373	1	Pump/Motor Kit	9	127-0381	1	Inner Filter Kit
3	127-0374	1	Thrust Bearing Kit	10	127-0383	1	Bypass Valve Kit
4	130-2607	1	Left Brake Kit	11	127-0384	1	LH Trunion Kit
5	127-0376	1	LH Charge Pump Kit	12	130-7888	1	Seal Kit
6	127-0378	1	Fastener Kit	13	127-0387	1	Axle Hub Kit
7	127-0379	1	Drive Gear Kit	14	127-0388	1	Pulley/Fan Kit

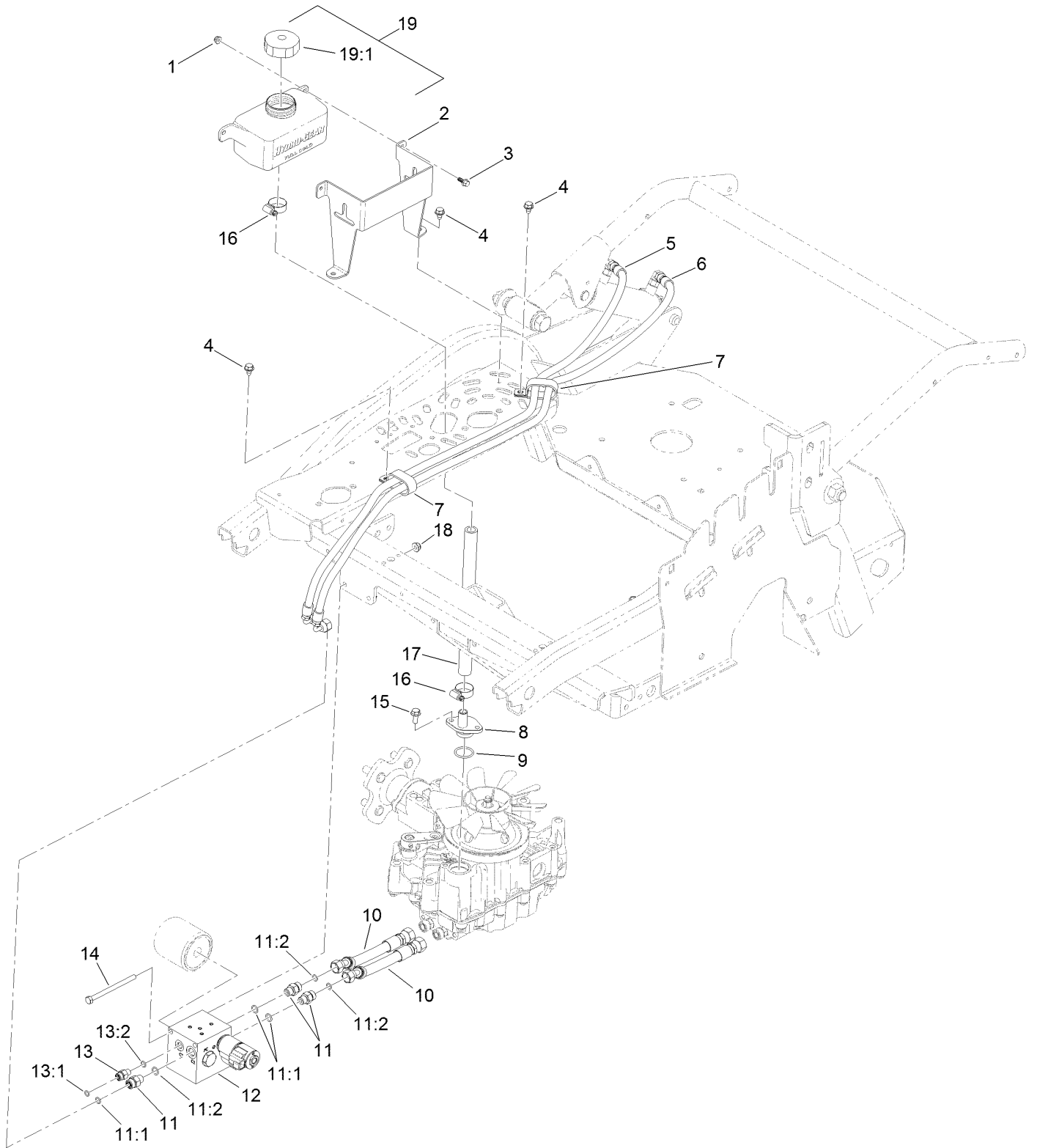
# RH Transmission Assembly No. 130-7892



# RH Transmission Assembly No. 130-7892 (continued)

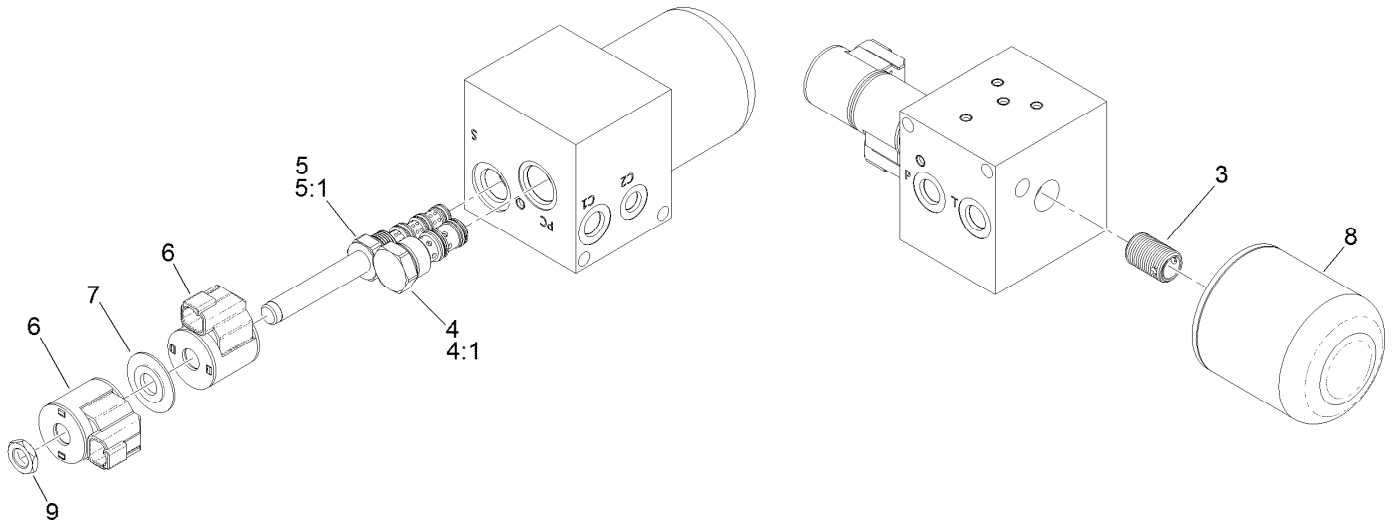
<i>Ref.</i>	<i>Part Number</i>	<i>Qty.</i>	<i>Description</i>	<i>Ref.</i>	<i>Part Number</i>	<i>Qty.</i>	<i>Description</i>
1	127-0372	1	Input Shaft Kit	9	127-0381	1	Inner Filter Kit
2	127-0373	1	Pump/Motor Kit	10	127-0382	1	Auxiliary Port Kit
3	127-0374	1	Thrust Bearing Kit	11	127-0383	1	Bypass Valve Kit
4	127-0375	1	Right Brake Kit	12	127-0385	1	RH Trunion Kit
5	127-0377	1	RH Charge Pump Kit	13	130-7888	1	Seal Kit
6	127-0378	1	Fastener Kit	14	127-0387	1	Axle Hub Kit
7	127-0379	1	Drive Gear Kit	15	127-0388	1	Pulley/Fan Kit
8	127-0380	1	Axle Kit				

# Hydraulic Tank Assembly



## Hydraulic Tank Assembly (continued)

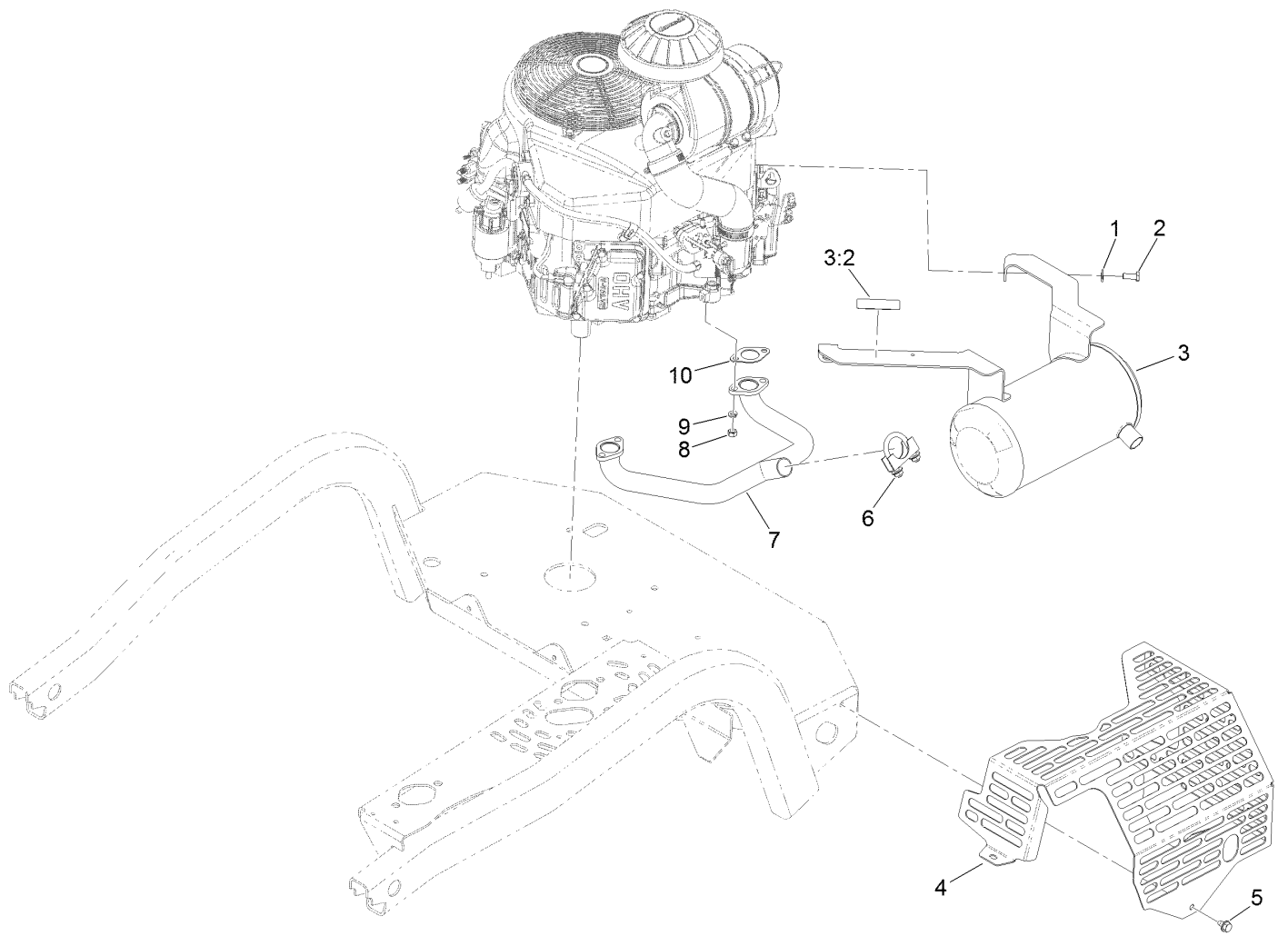
<i>Ref.</i>	<i>Part Number</i>	<i>Qty.</i>	<i>Description</i>	<i>Ref.</i>	<i>Part Number</i>	<i>Qty.</i>	<i>Description</i>
1	104-7201	4	Nut-HF, NI	12	127-7858	1	Hydraulic Manifold ASM (With Filter)
2	125-2438-03	2	Bracket-Tank	13	340-92	1	Fitting-Straight
3	99-6810	4	Screw-HHF	13:1	237-78	1	O-Ring
4	9266934	6	Screw	13:2	237-21	1	O-Ring
5	125-5124	1	HYD Hose ASM	14	322-38	2	Screw-HH
6	125-5125	1	HYD Hose ASM	15	98-7977	2	Screw-HHF
7	2412-137	2	Clamp-R, Double	16	2412-129	4	Clamp-Hose
8	125-2449	2	Fitting-Hydro	17	127-0368	2	Hose-Push Lok
9	130-2615	2	O-Ring	18	104-8300	2	Nut-HF, NI
10	127-7877	2	HYD Hose ASM	19	119-9908	2	Hydraulic Reservoir ASM
11	340-2	3	Fitting-Straight	19:1	109-3320	1	Cap-Reservoir, HYD
11:1	237-22	1	O-Ring				
11:2	237-42	1	O-Ring				



## Hydraulic Manifold Assembly No. 127-7858

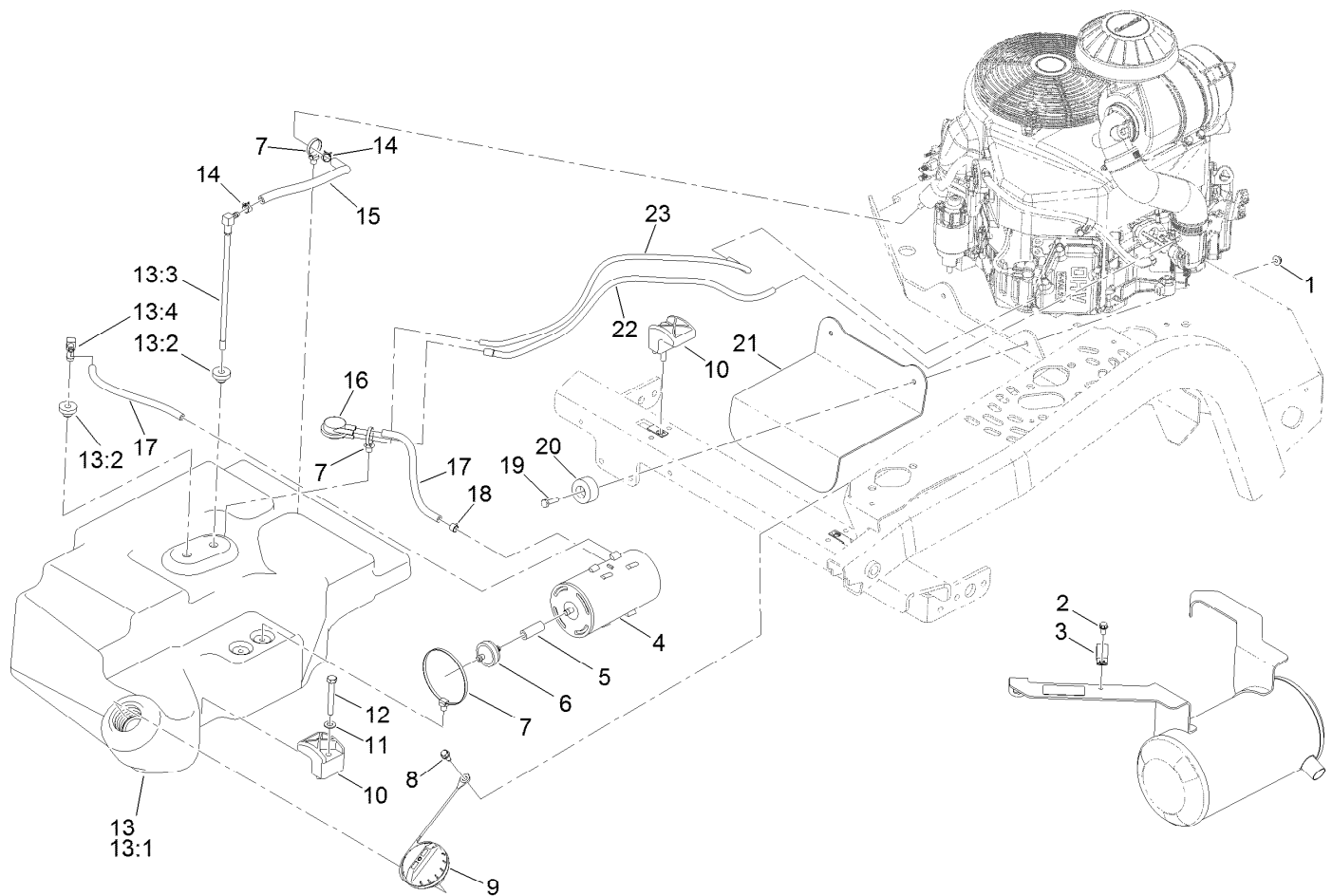
<i>Ref.</i>	<i>Part Number</i>	<i>Qty.</i>	<i>Description</i>
3	127-3885	1	Nipple-Filter
4	127-3884	1	Valve-Check
4:1	105-9154	1	Seal Kit
5	127-3883	1	Valve-Solenoid
5:1	112-6520	1	Seal Kit
6	119-8036	2	Coil
7	120-2586	1	Spacer-Coil
8	114-3494	1	Element-Filter, 25 Micron
9	110-2634	1	Nut-Coil





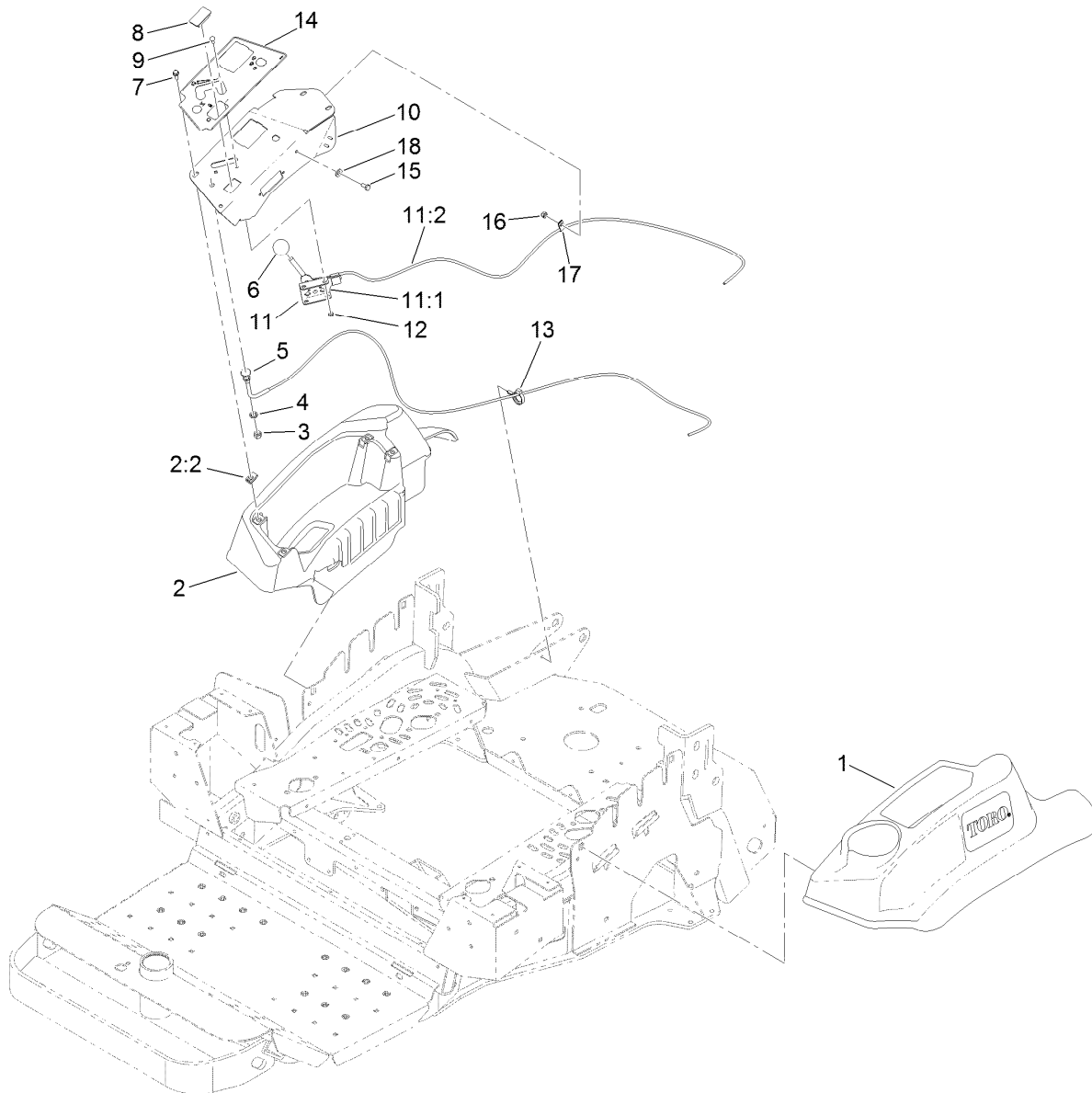
## Exhaust Assembly

Ref.	Part Number	Qty.	Description
1	1-303334	2	Washer-Spring
2	33114-020	2	Screw-HH
3	127-7889	1	Muffler ASM
3:2	127-0392	1	Decal-Hot Surface
4	127-0367-03	1	Shield-Muffler
5	9266934	2	Screw
6	104-4090	1	Clamp-Muffler
7	125-2401	1	Manifold-Exhaust
8	114-3549	4	Nut
9	114-3550	4	Washer-Lock
10	1-653313	2	Gasket-Exhaust



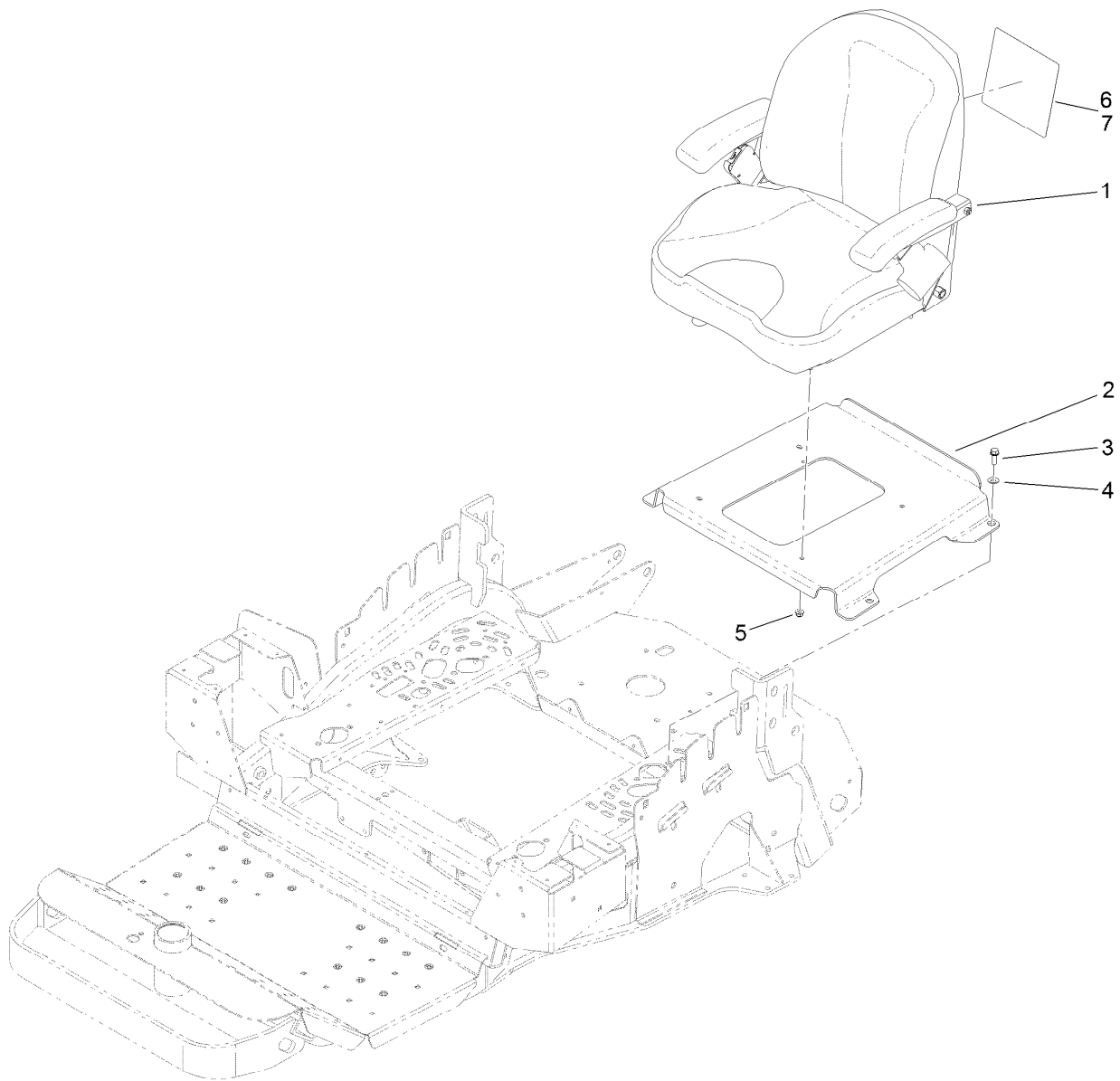
## Fuel Tank and Emissions Recovery Assembly

Ref.	Part Number	Qty.	Description	Ref.	Part Number	Qty.	Description
1	104-7201	2	Nut-HF, NI	13:2	46-6560	2	Bushing
2	32144-4	1	Screw-HWH	13:3	119-8584	1	Fitting-Fuel (W/Line And Screen)
3	2412-105	1	Clamp-Tube, Double	13:4	116-2288	1	Fitting-Elbow, 90 DEG
4	127-8685	1	Canister-Carbon	14	2412-98	2	Clamp-Hose
5	106-5317	1	Hose-Fuel	15	110-3447	1	Hose-Fuel
6	115-7854	1	Filter-Fuel, Inline	16	116-2232	1	Valve-Control, Vacuum
7	32180-118	4	Clip-Tie	17	68-3633	2	Hose-Fuel
8	32144-10	1	Screw-HWH	18	2412-80	1	Clamp-Hose
9	117-1722	1	Cap-Fuel	19	321-6	2	Screw-HH
10	107-4543	2	Clamp	20	94-4548	2	Bumper-Recessed
11	3256-23	2	Washer-Plain	21	125-6426-01	1	Bracket-Mount, Tank
12	33114-060	2	Screw-HH	22	125-6485	1	Hose-Vent, Formed
13	127-0397	1	Fuel Tank ASM	23	125-6484	1	Hose-Vent, Formed
13:1	125-0236	1	Tank-Fuel				



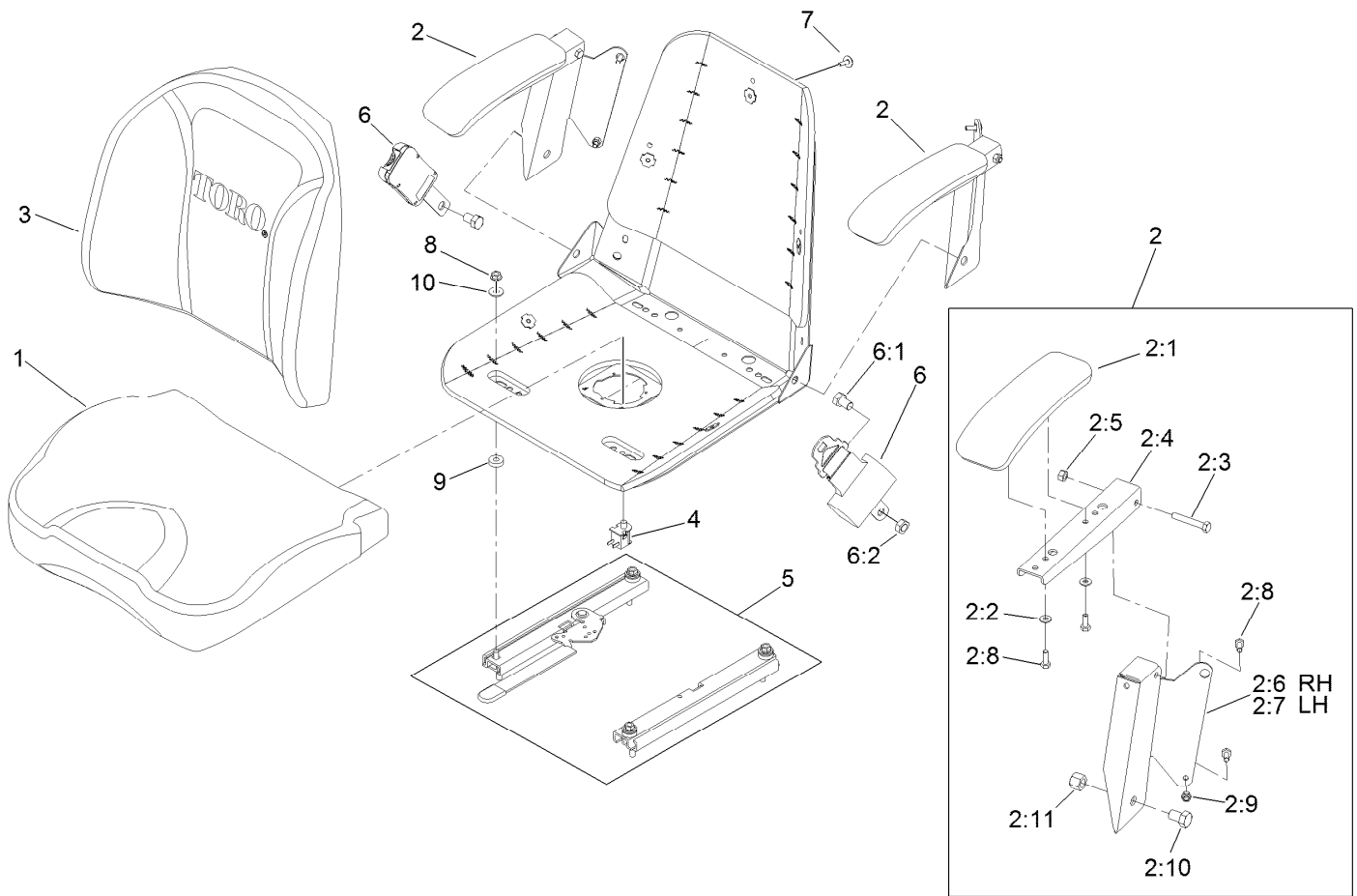
## Engine Controls and Console Assembly

<i>Ref.</i>	<i>Part Number</i>	<i>Qty.</i>	<i>Description</i>	<i>Ref.</i>	<i>Part Number</i>	<i>Qty.</i>	<i>Description</i>
1	119-2602	1	Console-LH	11	110-5727	1	Throttle Control ASM
2	119-2603	1	RH Console ASM	11:1	112-2334	1	Lever-Throttle
2:2	107069	4	Clip	11:2	110-5728	1	Cable-Throttle
3	3219-3	1	Nut-Hex	12	3296-2	2	Nut-Lock, NI
4	3254-6	1	Washer-Lock, Internal	13	105-1853	1	Clamp-Hose
5	115-2753	1	Control-Choke	14	125-0214	1	Decal-Panel, Control
6	1-603175	1	Knob-Ball	15	321-3	1	Screw-HH
7	32105-15	4	Screw-HWH	16	3296-42	1	Nut-Lock, NI
8	99-7420	1	Plug-Hole	17	2412-72	1	Clip-Closed, Insulated
9	3229-34	2	Screw-CARR	18	3256-22	1	Washer-Flat
10	125-0213-03	1	Panel-Control				



## Seat Assembly

<i>Ref.</i>	<i>Part Number</i>	<i>Qty.</i>	<i>Description</i>
1	120-7886	1	Seat
2	127-4118-03	1	Plate-Support, Seat
3	3234-29	4	Screw-HHF
4	3256-3	4	Washer-Flat
5	104-8300	4	Nut-HF, NI
6	127-0371	1	Decal-Service
7	130-2620	1	Decal-Service, CE

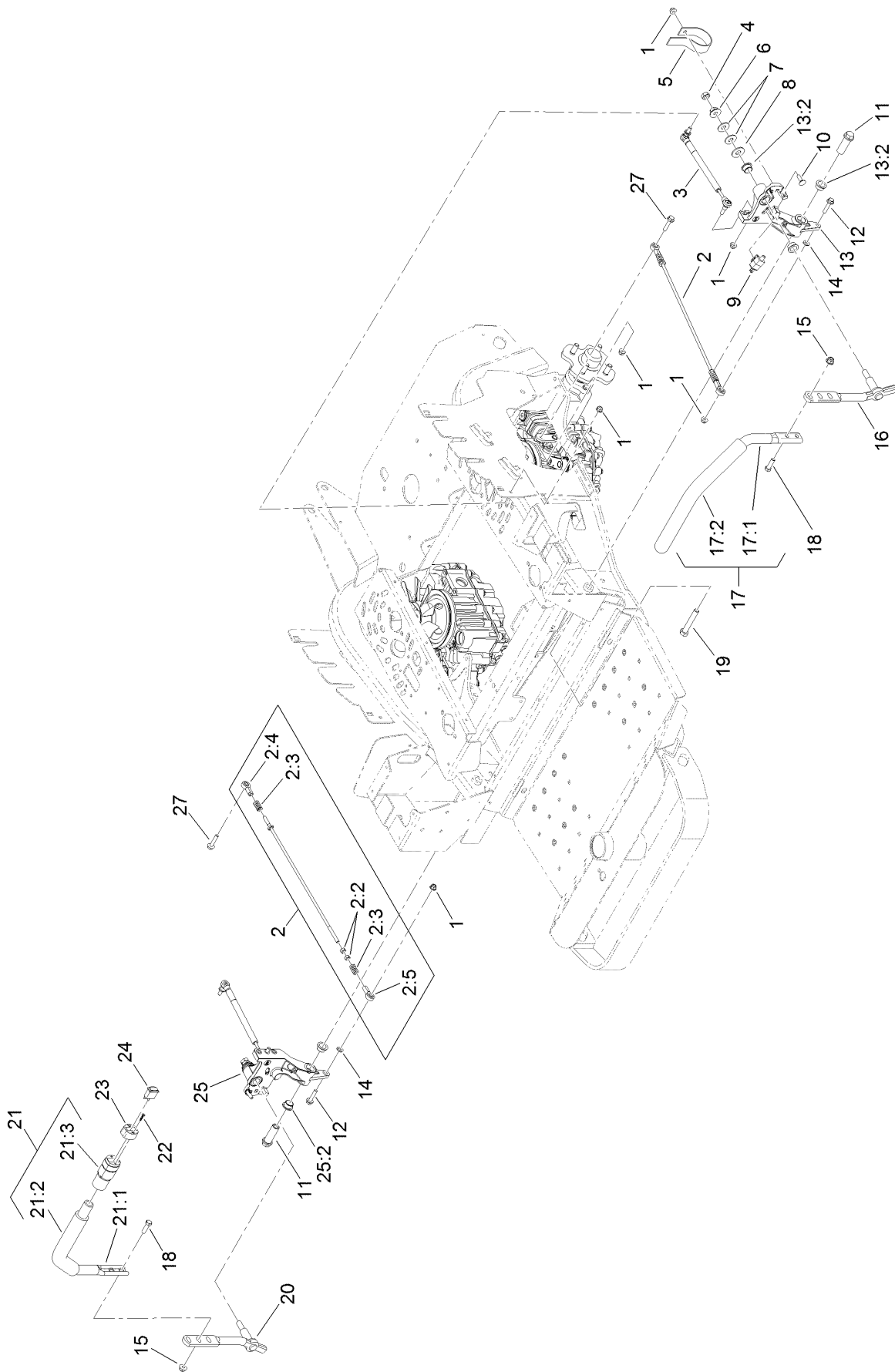


## Seat Assembly No. 120-7886

Ref.	Part Number	Qty.	Description
1	121-4751	1	Cushion-Seat, Bottom
2	110-5719	1	Armrest Kit
2:1	110-4163	2	Cushion-Rest, Arm
2:2	3256-22	4	Washer-Flat
2:3	322-10	2	Screw-HH
2:4	105-3623	2	Channel-Armrest
2:5	32153-3	2	Nut-Hex, Side Deform
2:6	105-3621	1	Bracket-Armrest, RH
2:7	105-3622	1	Bracket-Armrest, LH
2:8	321-30	8	Screw-HH
2:9	3296-42	4	Nut-Lock, NI
2:10	325-2	2	Screw-HH

Ref.	Part Number	Qty.	Description
2:11	3296-23	2	Nut-Lock, NI
3	121-4752	1	Cushion-Seat, Back
4	82-2190	1	Switch-Bail
5	121-4754	1	Track-Seat
6	116-2981	1	Seat Belt Kit
6:1	325-2	2	Screw-HH
6:2	3296-23	2	Nut-Lock, NI
7	103-8383	7	Bolt-Seat
8	32128-20	4	Nut-HF
9	26-4840	8	Spacer-Pin, Mounting
10	3256-3	6	Washer-Flat

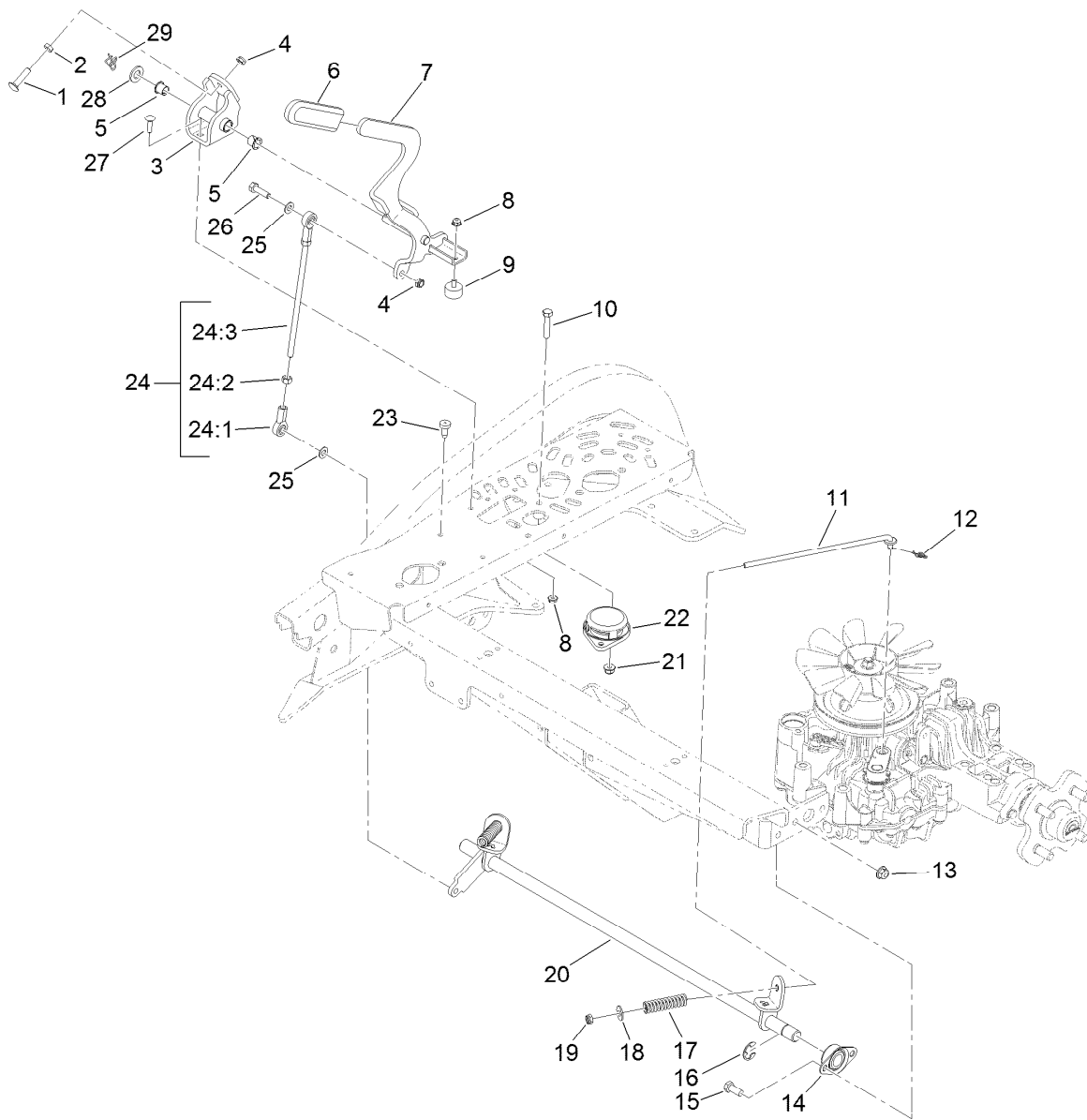
# Motion Control Assembly



## Motion Control Assembly (continued)

<i>Ref.</i>	<i>Part Number</i>	<i>Qty.</i>	<i>Description</i>	<i>Ref.</i>	<i>Part Number</i>	<i>Qty.</i>	<i>Description</i>
1	104-8300	10	Nut-HF, NI	15	104-8301	4	Nut-HF, NI
2	109-8107	2	Pump Linkage Rear ASM	16	116-0040	1	Lever-Control Motion, LH
2:2	3219-2	2	Nut-Hex	17	135-4373	1	LH Handle ASM
2:3	1-323245	2	Spring-Compression	17:1		1	Handle-LH ●
2:4	1-633152	1	Balljoint-LH	17:2	109-5668	1	Grip-Lever, Control
2:5	1-543017	1	Balljoint-RH	18	323-7	4	Screw-HH
3	116-0027	2	Damper-Control, Motion	19	325-12	2	Screw-HH
4	3218-5	2	Nut-Jam	20	116-0039	1	Lever-Control Motion, RH
5	109-5575	2	Spring-Leaf	21	135-4807	1	RH Handle W/Grip ASM
6	32128-56	2	Nut-HF	21:1		1	Handle-RH ●
7	109-9505	4	Washer-Spring	21:2		1	Grip-Control, Lever ●
8	3256-6	2	Washer-Flat	21:3	125-2662	1	Case ASM
9	110-6765	2	Switch	22	94-4496	2	Screw-PPH
10	3230-2	2	Bolt-CARR	23	121-3399	1	Cap-Switch
11	109-5891	2	Hub-Threaded	24	121-6574	1	Switch, Spst (On)-Off-(On)
12	115-1794	2	Screw-HHF	25	116-0880	1	RH Motion Control And Bushing ASM
13	116-0881	1	LH Motion Control And Bushing ASM	25:2	109-8054	4	Bushing-Flange
13:2	109-8054	4	Bushing-Flange	27	119-4036	2	Screw-HHF
14	3256-23	2	Washer-Plain				

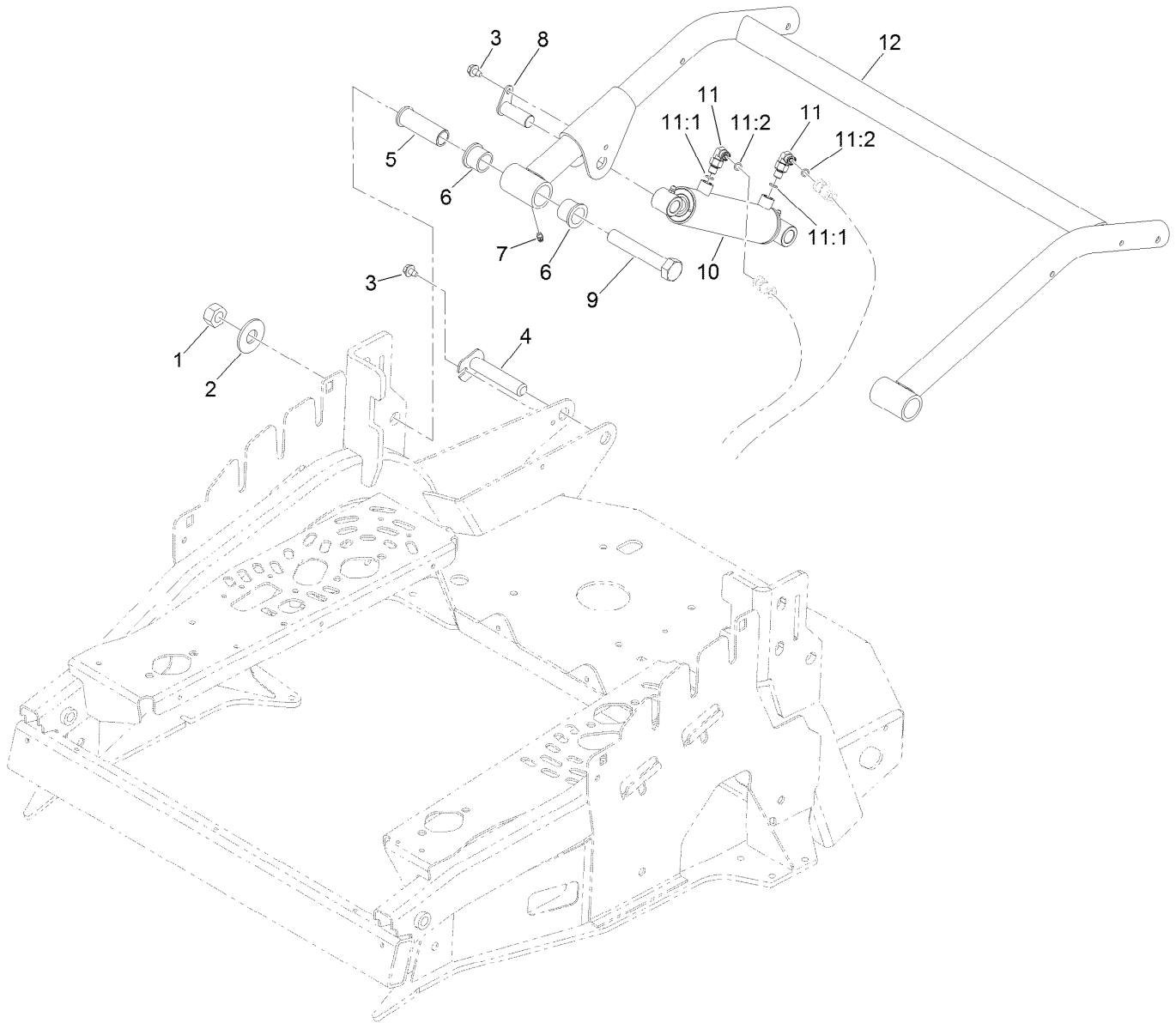
● Not serviced separately



## Brake Installation Assembly

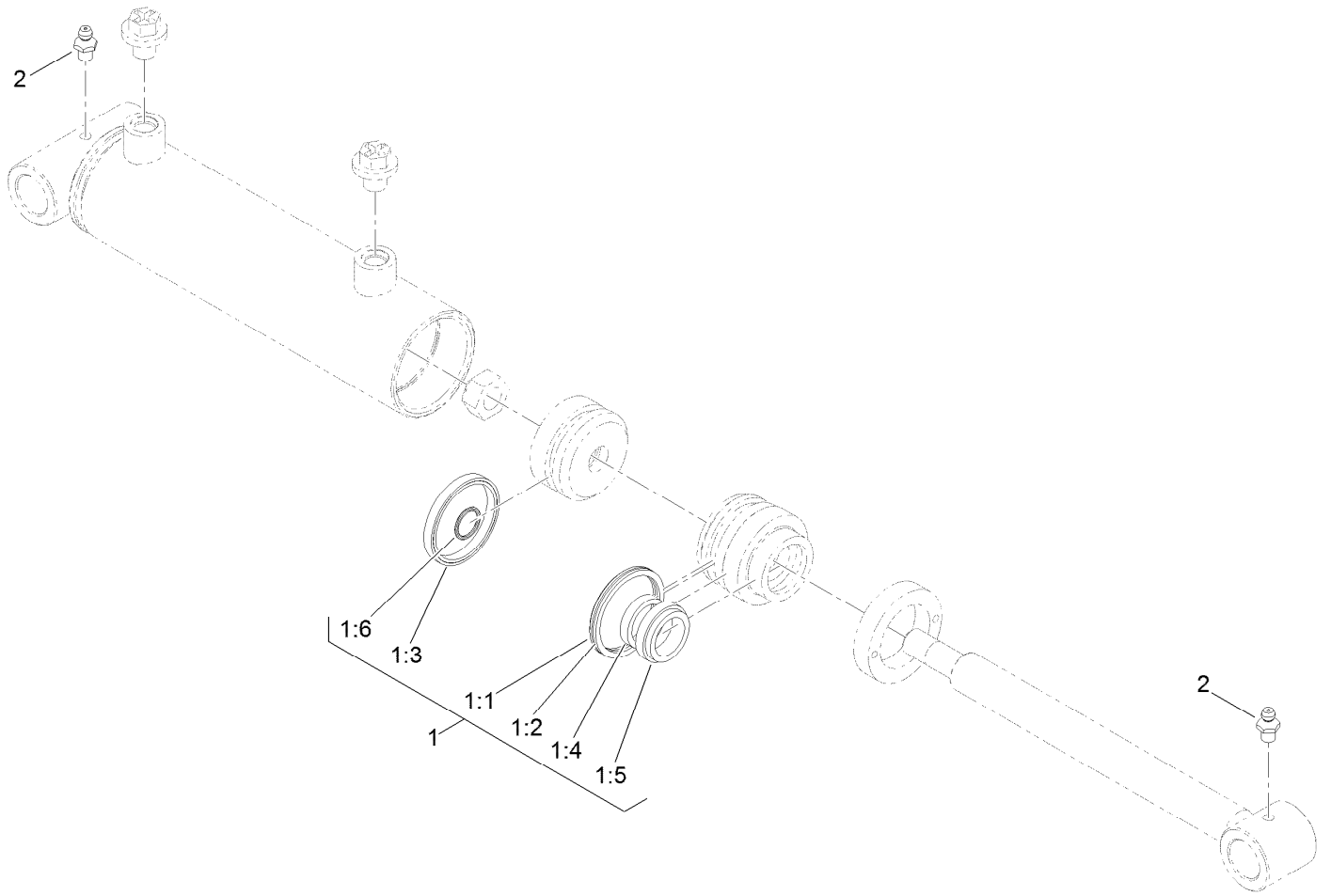
Ref.	Part Number	Qty.	Description	Ref.	Part Number	Qty.	Description
1	112-6950	1	Screw-CARR	17	130-7874	2	Spring-Compression
2	3218-2	1	Nut-Hex Jam	18	3256-3	2	Washer-Flat
3	121-8148-03	1	Bracket-Handle, Brake	19	3296-20	2	Nut-Lock, NI
4	3296-47	3	Nut-Lock,NI	20	125-0209-03	1	Shaft-Brake
5	256-257	2	Bushing-Nyliner	21	104-8300	2	Nut-HF, NI
6	1-633268	1	Grip-Lever	22	92-6282	1	Switch-Seat
7	125-0201-03	1	Handle-Brake	23	87-8460	1	Bumper-Rubber
8	104-7201	3	Nut-HF, NI	24	125-0202	1	Rod-Adjustment
9	240-14	1	Bumper-Rubber	24:1	1-543017	2	Balljoint-RH
10	322-8	2	Screw-HH	24:2	3219-2	2	Nut-Hex
11	125-2351	2	Rod	24:3	127-7857	1	Rod-Brake
12	116-6639	2	Pin-Cotter, Locking	25	3256-23	3	Washer-Plain
13	104-8301	4	Nut-HF, NI	26	322-16	2	Screw-HH
14	1-633102	2	Bearing-Flange, Side	27	3229-2	2	Screw-CARR
15	323-5	4	Screw-HH	28	106-9888	1	Washer-Flat
16	32151-48	1	E-Ring	29	112-1491	1	Pin-Cotter





## Lift Valve Installation Assembly

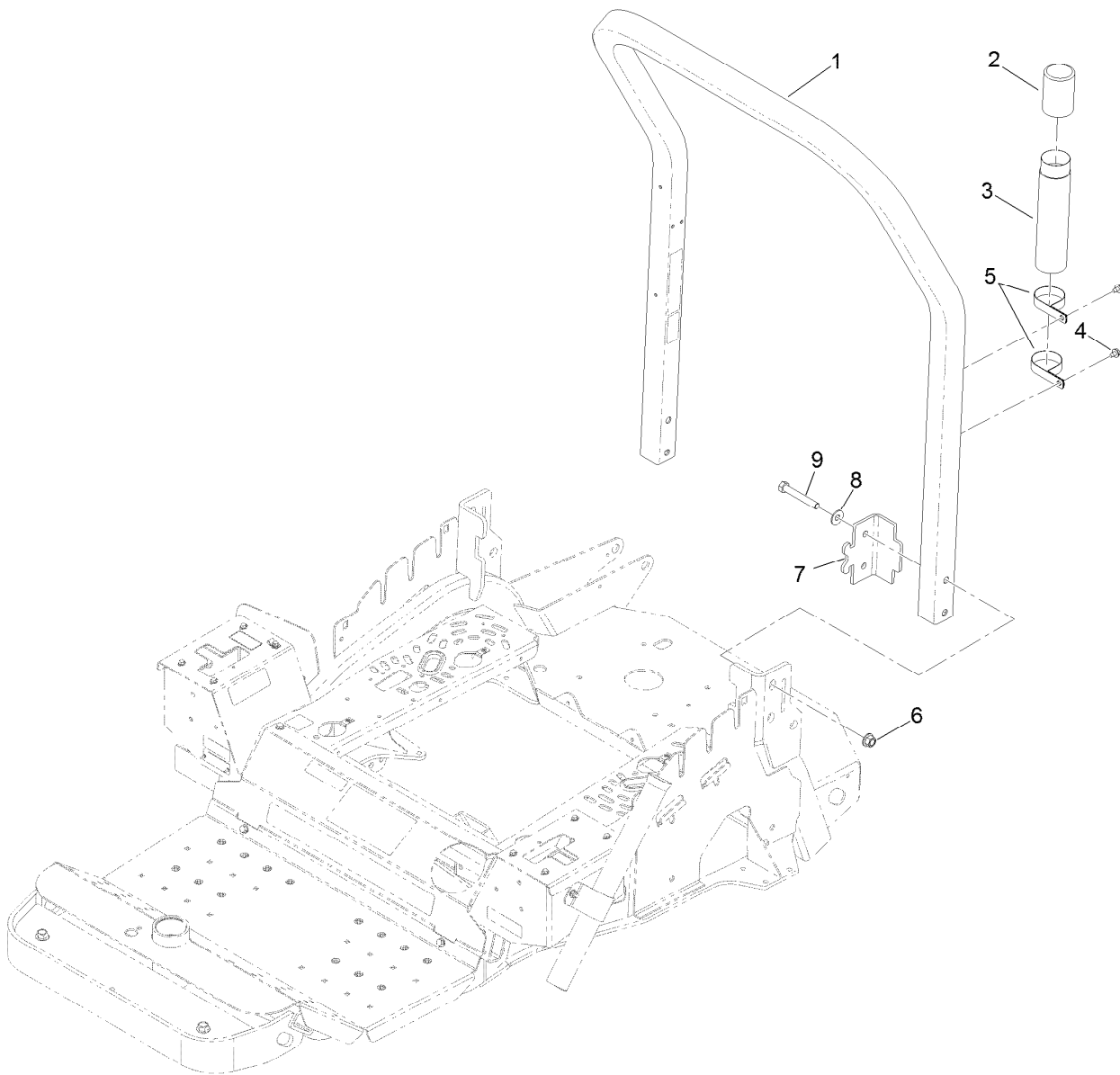
Ref.	Part Number	Qty.	Description
1	120-7252	2	Nut-Lock
2	3256-8	2	Washer-Flat
3	9266934	2	Screw
4	120-3199	1	Pin-Pivot
5	125-2445	2	Sleeve-Pivot
6	94-8949	4	Bushing-Flange
7	302-5	2	Fitting-Grease
8	108-2905	1	Pin ASM
9	328-8	2	Screw-HH
10	125-6466	1	HYD Cylinder ASM
11	340-132	2	Fitting-Elbow, 90 DEG
11:1	237-78	1	O-Ring
11:2	237-21	1	O-Ring
12	125-2441-03	1	Lift-Groomer



## Hydraulic Cylinder Assembly No. 125-6466

<i>Ref.</i>	<i>Part Number</i>	<i>Qty.</i>	<i>Description</i>
1	127-3880	1	Seal Kit
1:1		1	O-Ring ●
1:2		1	Seal-Back Up ●
1:3		1	Psp Seal ●
1:4		1	Bt Seal ●
1:5		1	Dust Seal ●
1:6		1	O-Ring ●
2	302-5	2	Fitting-Grease

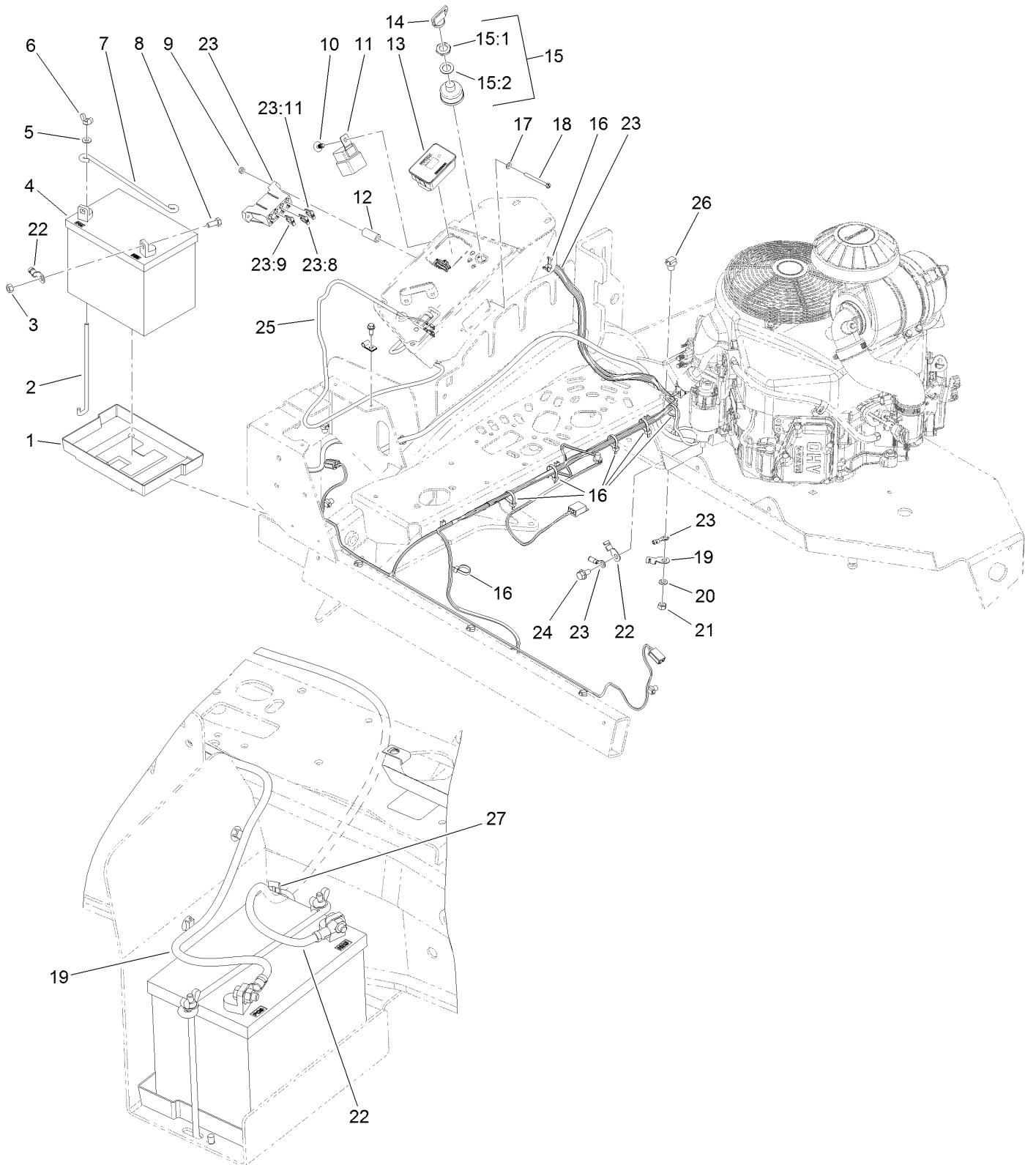
● Not serviced separately



## Roll-Over Protection System Assembly

<i>Ref.</i>	<i>Part Number</i>	<i>Qty.</i>	<i>Description</i>
1	127-0398	1	ROPS ASM
2	104-7048	1	Cap-Housing
3	104-7050	1	Tube-Manual
4	9266934	2	Screw
5	2412-133	2	Clamp-R
6	99-5107	4	Nut-Lock
7	125-2398-01	2	Bracket-ROPS
8	109-9505	4	Washer-Spring
9	325-14	4	Screw-HH

# Battery and Electrical System Assembly



Battery Cables

## Battery and Electrical System Assembly (continued)

<i>Ref.</i>	<i>Part Number</i>	<i>Qty.</i>	<i>Description</i>	<i>Ref.</i>	<i>Part Number</i>	<i>Qty.</i>	<i>Description</i>
1	106948	1	Tray-Battery	15:2	3254-5	1	Washer-Lock
2	100-6435	2	Post-Battery	16	3290-379	7	Tie-Cable
3	3217-6	2	Nut-Hex	17	120-9680	2	Washer-Flat
4	99-7421	1	Battery	18	32105-14	2	Screw-SHH
5	3256-22	2	Washer-Flat	19	122-0143	1	Cable-Battery, Positive
6	32103-22	2	Nut-Wing	20	3253-4	1	Washer-Lock
7	100-6434	1	Rod-Hold Down, Battery	21	3218-13	1	Nut-Jam, Brass
8	322-3	2	Screw-HH	22	122-0085	1	Cable-Battery, Negative
9	3296-2	2	Nut-Lock, NI	23	122-1380	1	Harness-Wire
10	104-0395	2	Plug-Plastic	23:8	109102	1	Fuse-Blade, 25 Amp
11	99-7430	2	Relay-Mini	23:9	218-578	1	Fuse-Blade, 10 Amp
12	103-0384	2	Spacer	23:11	109101	1	Fuse-Blade, 20 Amp
13	116-5609	1	Module ASM	24	33104-016	1	Screw-HHF
14	63-8360	2	Key-Ignition	25	121-8893	1	Harness-Handle, Control
15	83-0020	1	Switch-Ignition	26	32180-030	1	Clip-Tie
15:1	218-461	1	Nut-HH	27	32180-078	1	Clip-Edge

# Attachments and Accessories

## For 08706 Sand Pro 2040Z Traction Unit

<b>Product Name</b>	<b>Model/Part</b>
Flex Tooth Rake.....	08716
Nail Drag.....	08717
Finish Drag .....	08718
Broom Finishing Kit.....	08719
Speed Limiter Kit .....	08720
Light Kit.....	08721
400 Hour Maintenance Kit .....	08725
Spark Arrestor Screen .....	104-6540
Premium Transmission/Hydraulic Tractor Fluid (55 Gallon Drum).....	108-1183
Premium Transmission/Hydraulic Tractor Fluid (5 Gallon Pail) .....	108-1184
Premium All Purpose Grease (Tube) .....	108-1190
Filter-Air .....	108-3811
Bimini Folding Shade Assembly .....	115-4510
Fuel Stabilizer (4oz).....	117-0089
Fuel Stabilizer (16oz).....	117-0090
Oil Filter .....	119-5852
Fuel Filter.....	121-4570
Premium Engine Oil 10w30 (5 Gallon Pail) .....	121-6393
Tire Assembly .....	125-6462
Seat Isolation Kit.....	125-6469
Bag Kit .....	127-0359
Rubber Trowel Kit .....	130-2629
Rake Holder Kit.....	130-7876
Speed Plate Kit .....	130-7877
Spark Plug .....	92-2153
Filter Minder Gauge .....	99-4664

**Notes:**



**Count on it.**