



**Count on it.**

**Parts Catalog**

**Roller Kit**

**Greensmaster® DPA Cutting Units**

Model No. 04255

Model No. 04256

Model No. 04257

Model No. 04258



# Ordering Replacement Parts

To order replacement parts, please supply the part number, the quantity, and the description of each part desired.

## Understanding Reference Numbers

Each identified part in an illustration has a reference number. The reference number for a part also appears in the parts list, along with other information about the part.

This catalog uses two special reference number formats, one to indicate parts in a service assembly and another to indicate the quantity of a given part in an illustration.

## Service Assembly Reference Numbers

Parts in service assemblies have reference numbers in the form a:b. The a represents the reference number of the entire service assembly and the b represents a sequential number unique to each part within the service assembly.

For example, a wheel assembly might be identified by reference number 6, the tire by 6:1, the valve by 6:2, and the wheel by 6:3. When you order the assembly identified by reference number 6, you receive all parts identified by reference numbers 6:1, 6:2, and 6:3. However, you may also order any part individually. Reference numbers of this type appear in illustration and in parts lists.

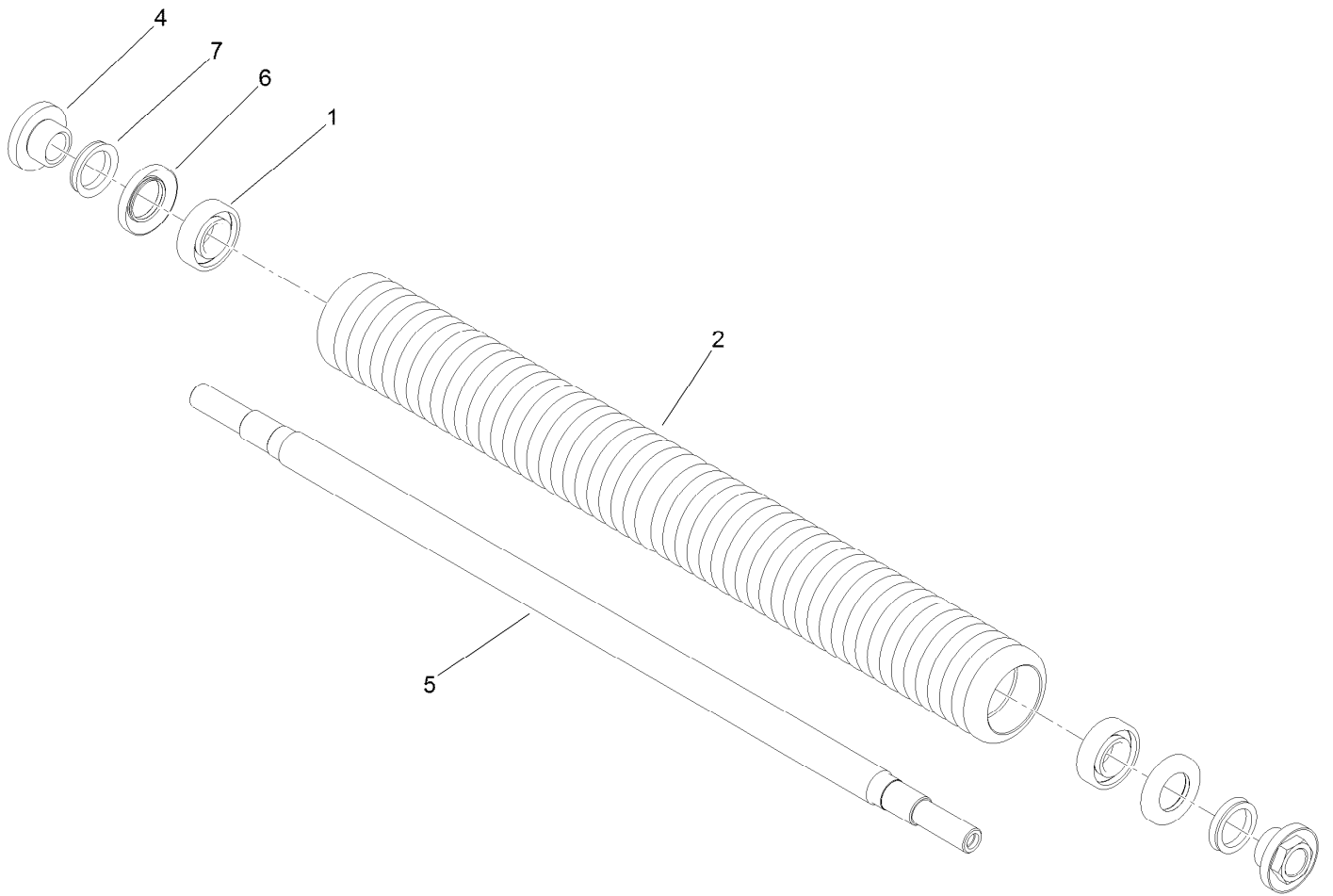
## Reference Numbers Indicating Quantity

In an illustration, if a reference number indicates more than one part, the reference number has the form nX y. The n represents the quantity of the part, the X is the multiplication symbol, and the y represents the reference number.

For example, in an illustration, the reference number 2X 37 means that two of the parts identified by reference number 37 are indicated.

# Contents

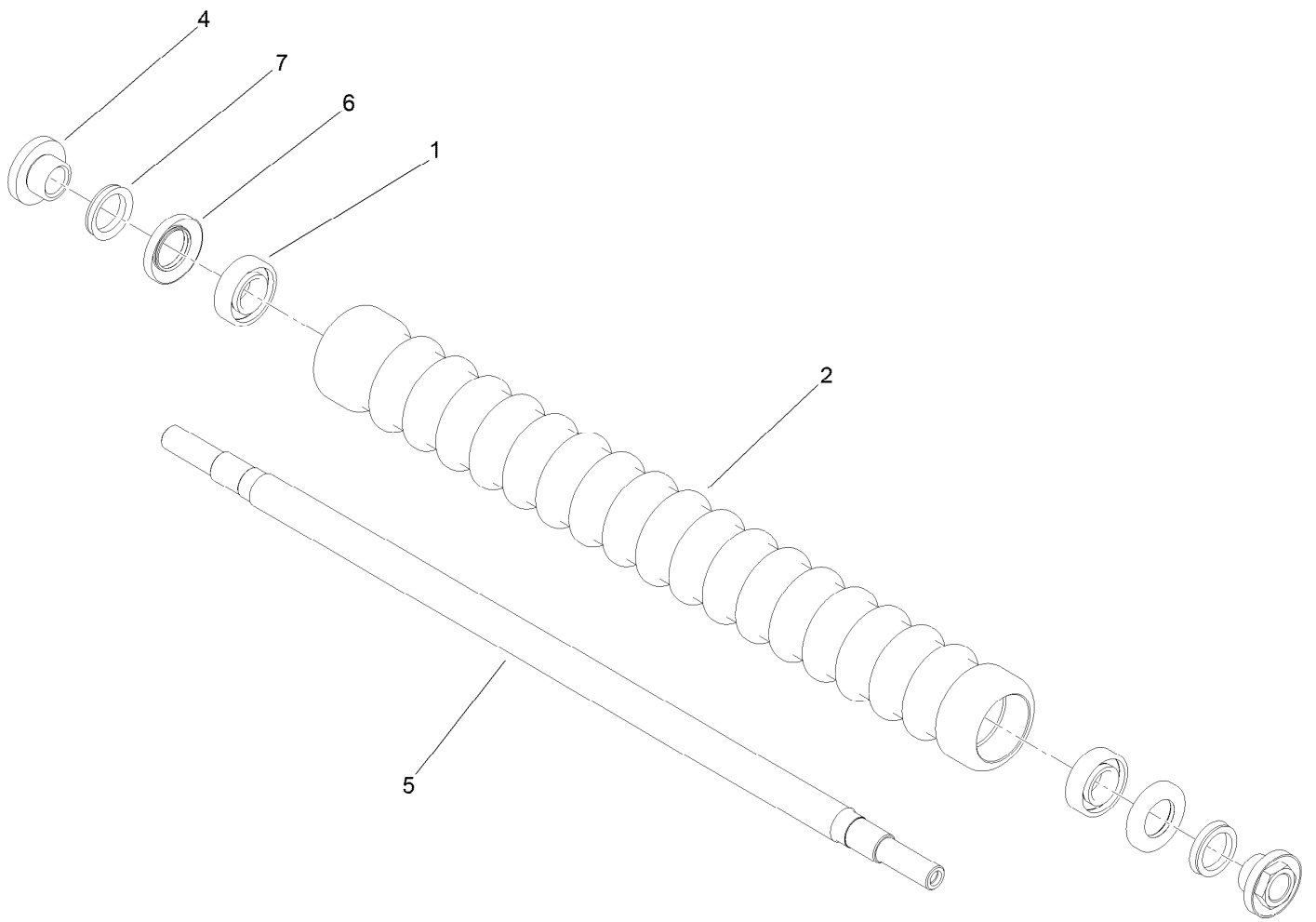
Narrow Wiehle Roller Assembly No. 115-7360 .....	4
Wide Wiehle Roller Assembly No. 115-7386 .....	5
Smooth Roller Assembly No. 140-5681 .....	6
Extended Narrow Wiehle Roller Assembly No. 121-4675 .....	7



## Narrow Wiehle Roller Assembly No. 115-7360

<i>Ref.</i>	<i>Part Number</i>	<i>Qty.</i>	<i>Description</i>
1	251-347	2	Bearing-Ball
2	104-0540	1	Roller-Wiehle ●
4	108-3151	2	Nut-Lock, Bearing (Service)
5	119-4090	1	Shaft-Roller
6	106-6941	2	Seal
7	106-6942	2	V-Ring

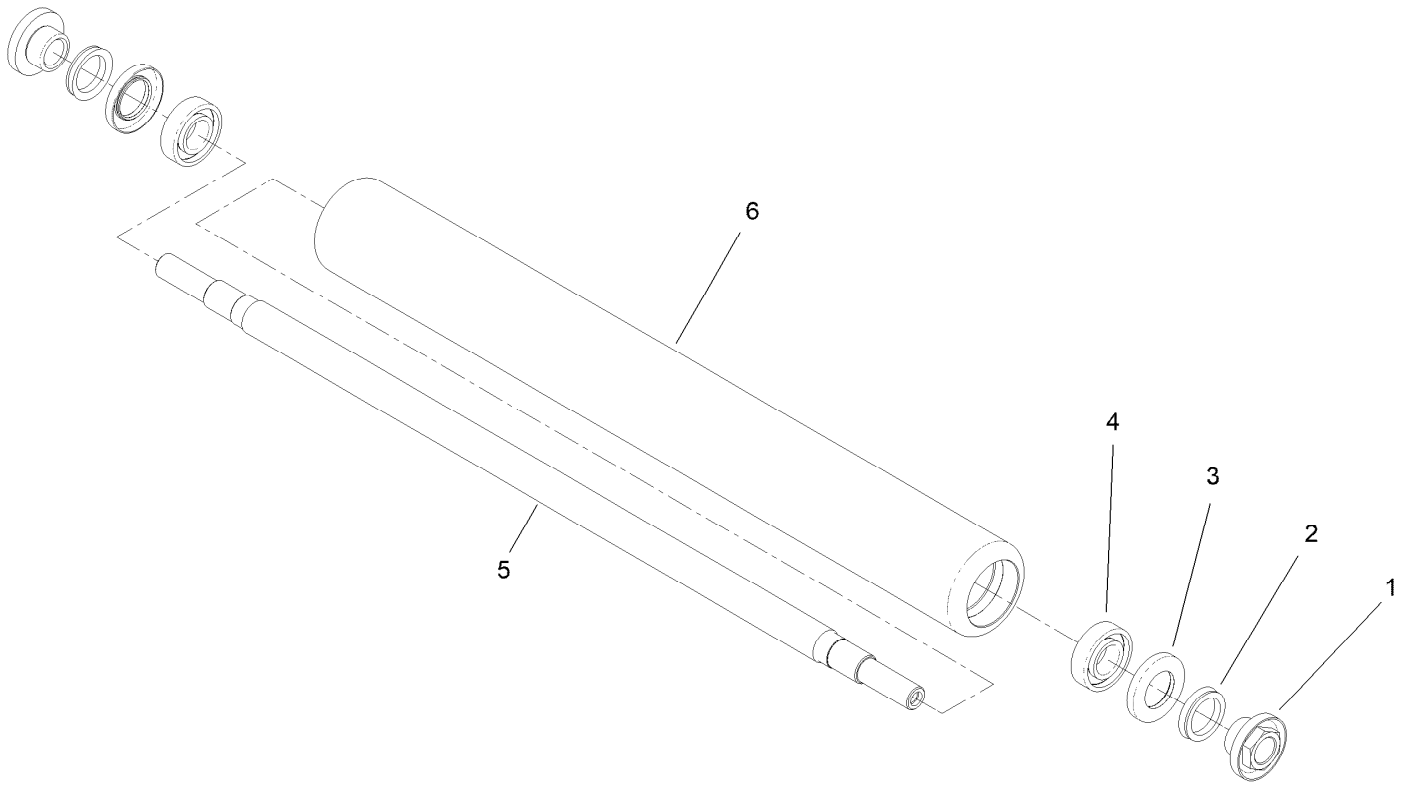
● Roller Rebuild Kit 107-1594 available for this roller.



## Wide Wiehle Roller Assembly No. 115-7386

<i>Ref.</i>	<i>Part Number</i>	<i>Qty.</i>	<i>Description</i>
1	251-347	2	Bearing-Ball
2	99-6216	1	Roller-Wiehle ●
4	108-3151	2	Nut-Lock, Bearing (Service)
5	119-4090	1	Shaft-Roller
6	106-6941	2	Seal
7	106-6942	2	V-Ring

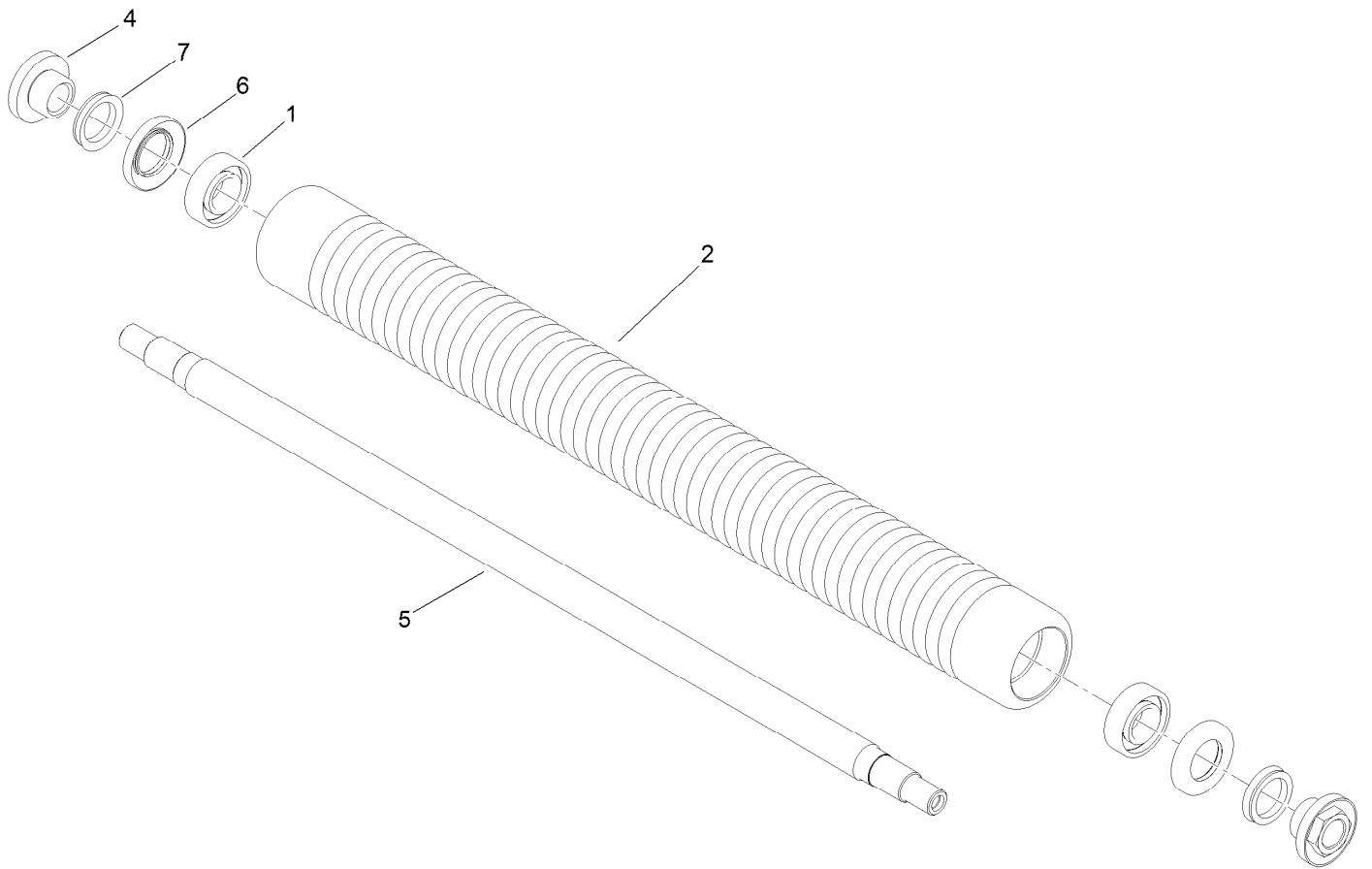
● Roller Rebuild Kit 107-1594 available for this roller.



## Smooth Roller Assembly No. 140-5681

<i>Ref.</i>	<i>Part Number</i>	<i>Qty.</i>	<i>Description</i>
1	108-3151	2	Nut-Lock, Bearing (Service)
2	106-6942	2	V-Ring
3	106-6941	2	Seal
4	251-347	2	Bearing-Ball
5	119-4090	1	Shaft-Roller
6	140-5682	1	Tube Roller 2.5In DIA X 22.15In ●

● Roller Rebuild Kit 140-5552 available for this roller.



## Extended Narrow Wiehle Roller Assembly No. 121-4675

<i>Ref.</i>	<i>Part Number</i>	<i>Qty.</i>	<i>Description</i>
1	251-347	2	Bearing-Ball
2	120-5405	1	Roller-Wiehle, Extended ●
4	108-3151	2	Nut-Lock, Bearing (Service)
5	120-5404	1	Shaft-Roller
6	106-6941	2	Seal
7	106-6942	2	V-Ring

● Roller Rebuild Kit 107-1594 available for this roller.



**Count on it.**