



Count on it.

Parts Catalog

Multi Pro[®] 5800-G

Turf Sprayer with ExcelaRate[®] Spray System

Model No. 41394—Serial No. 411834921 and Up



Ordering Replacement Parts

To order replacement parts, please supply the part number, the quantity, and the description of each part desired.

Understanding Reference Numbers

Each identified part in an illustration has a reference number. The reference number for a part also appears in the parts list, along with other information about the part.

This catalog uses two special reference number formats, one to indicate parts in a service assembly and another to indicate the quantity of a given part in an illustration.

Service Assembly Reference Numbers

Parts in service assemblies have reference numbers in the form a:b. The a represents the reference number of the entire service assembly and the b represents a sequential number unique to each part within the service assembly.

For example, a wheel assembly might be identified by reference number 6, the tire by 6:1, the valve by 6:2, and the wheel by 6:3. When you order the assembly identified by reference number 6, you receive all parts identified by reference numbers 6:1, 6:2, and 6:3. However, you may also order any part individually. Reference numbers of this type appear in illustration and in parts lists.

Reference Numbers Indicating Quantity

In an illustration, if a reference number indicates more than one part, the reference number has the form nX y. The n represents the quantity of the part, the X is the multiplication symbol, and the y represents the reference number.

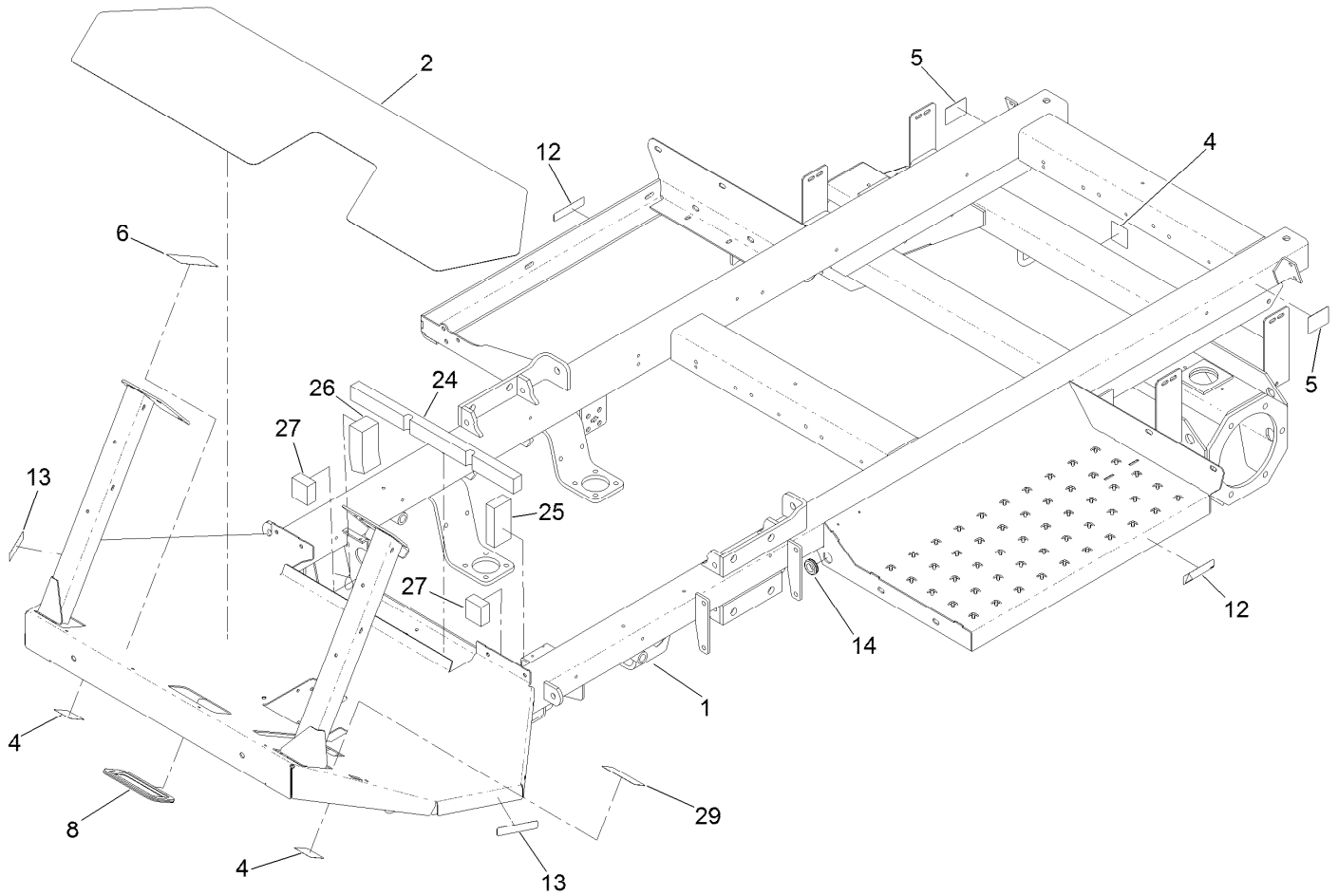
For example, in an illustration, the reference number 2X 37 means that two of the parts identified by reference number 37 are indicated.

Contents

Frame and Step Assembly	5
Front Axle Assembly	6
Cylinder Assembly No. 138-6102	8
Hub Assembly No. 119-6003	9
Front Suspension Assembly	10
Seat Base Assembly	11
Seat, Fresh Water Tank and Roll-Over Protection System Assembly.	12
Control Console Assembly	14
Brake Pedal Assembly	15
Traction Pedal Assembly.	16
Throttle Assembly.	17
Dash Panel Assembly	18
Hood and Fender Assembly	19
Engine Mounting and Bell Housing	20
Muffler and Air Cleaner Assembly	21
Air Cleaner Assembly No. 106-5277.	23
Engine and Shroud Assembly	24
Fuel Tank Assembly.	25
Radiator Assembly.	27
Hydraulic Pump and Filter Assembly.	28
Piston Pump Assembly No. 117-0685	30
Control Assembly No. 115-4446	32
Tandem Pump Assembly No. 138-6193.	33
Hydraulic Tank Assembly	34
Hydraulic Tube and Hose Assembly	35
Pump Control Valve Assembly No. 117-0708	37
Steering Hydraulic Assembly	38
Steering Valve Assembly No. 137-7509.	39
Boom Lift Assembly	40
Hydraulic Cylinder Assembly No. 117-0701.	41
On-Off Boom Lift Valve Assembly No. 136-2400	42
Rear Drive Assembly	43
Planetary Assembly No. 136-2913	45
RH Brake Assembly No. 100-3069	46
LH Brake Assembly No. 100-3070	47
Hydraulic Motor Assembly No. 132-5631.	48
Hydraulic Motor Assembly No. 136-2373.	49
Electrical Assembly	50
Tank and Saddle Assembly.	51
Tank Assembly No. 117-8005	52
Spray Tank Lid Assembly No. 138-6283	53
Bypass Hose Assembly No. 132-4297	54
Tank Mounting and Filter Assembly.	55
Filter Assembly No. 130-7096	56
Spray System Hose Assembly	57
Spray Pump and Valve Assembly	59
Spray Manifold Assembly	61
Manifold Valve Kit No. 131-7256	62
Manifold Valve Kit No. 131-0253	63
Pressure Filter Assembly No. 131-3791.	64
On/Off Manifold Valve Kit No. 127-9803.	65
Actuator On/Off Assembly No. 140-7377	66
Bypass Valve Assembly No. 127-9805.	67
On/Off 2-Way Valve Kit No. 131-0249	68

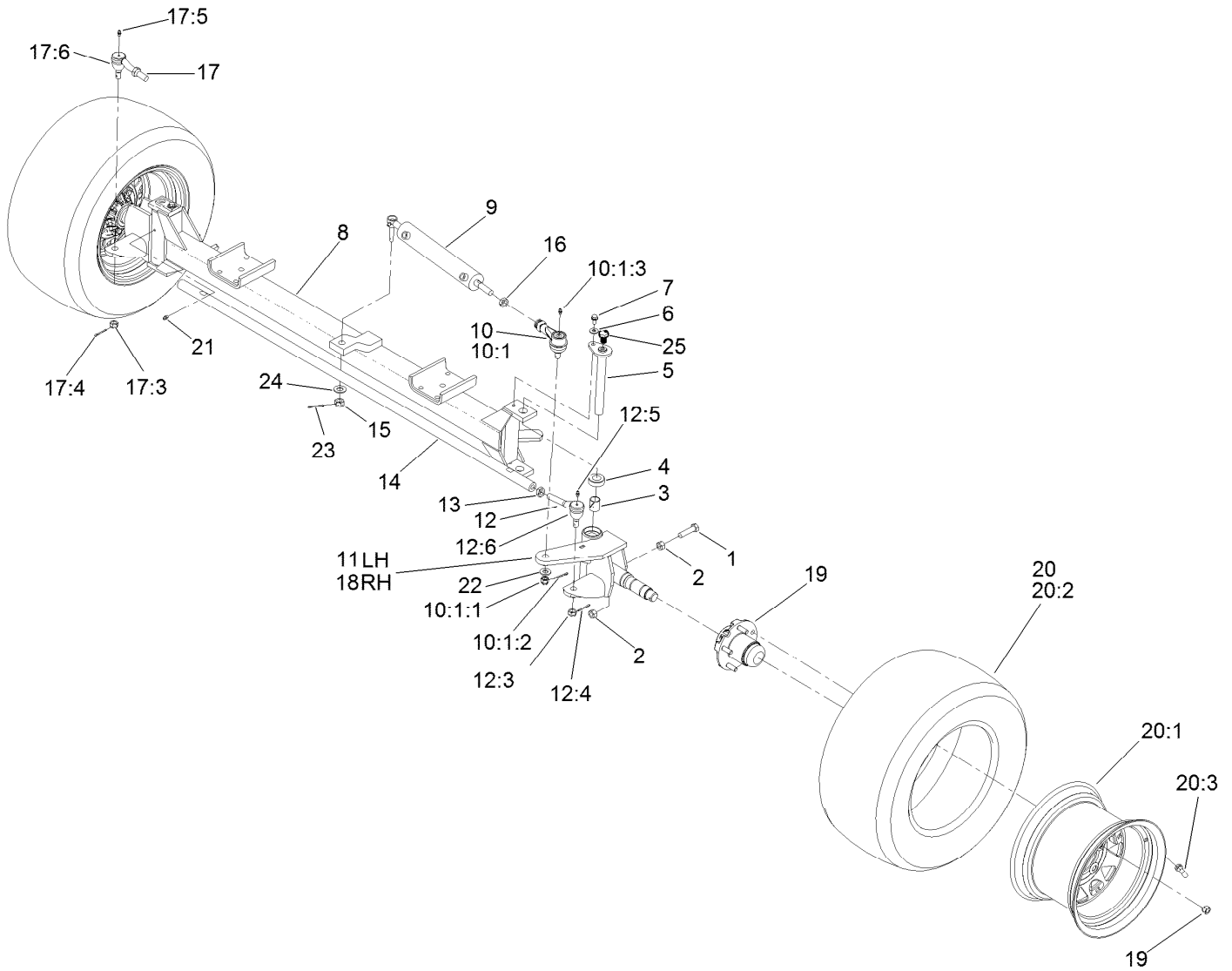
Contents (continued)

Pump Assembly No. 145-3382	69
Agitation Hose Assembly No. 139-3093	71
Hydraulic Motor Assembly No. 117-0706	72
Flow Meter Assembly No. 138-6128	73
Center Boom Assembly	74
RH Single Body Turret Assembly No. 108-3726	76
Double Turret Body Assembly No. 108-3727	77
LH Single Turret Body Assembly No. 108-3725	78
Boom Pivot Assembly	79
Left and Right Hand Boom Assembly	80
Crankcase Assembly	81
Oil Pan Assembly	82
Cylinder Head Assembly	83
Gear Case and Oil Filter Cartridge Assembly	84
Cylinder Head Cover Assembly	85
Oil Dipstick and Guide Assembly	86
Main Bearing Case Assembly	87
Cam Shaft and Idle Gear Assembly	88
Piston and Crankshaft Assembly	89
Flywheel and Sensor Switch Assembly	90
Ignition Coil and Delivery Pipe Assembly	91
Engine Covers Assembly	92
Solenoid Cover and Hydraulic Pump Cover	93
Alternator, Pulley and Fan Assembly	94
Alternator Assembly No. 131-9567	95
Starter Installation Assembly	96
Starter Components Assembly	97
Water Flange and Thermostat Assembly	98
Water Pump Assembly	99
Valve and Rocker Arm Assembly	100
Inlet Manifold Assembly	101
Exhaust Manifold Assembly	102
Wire Harness Assembly	103
Electronic Control Unit Assembly	104
Miscellaneous Engine Parts	105
Attachments and Accessories	106



Frame and Step Assembly

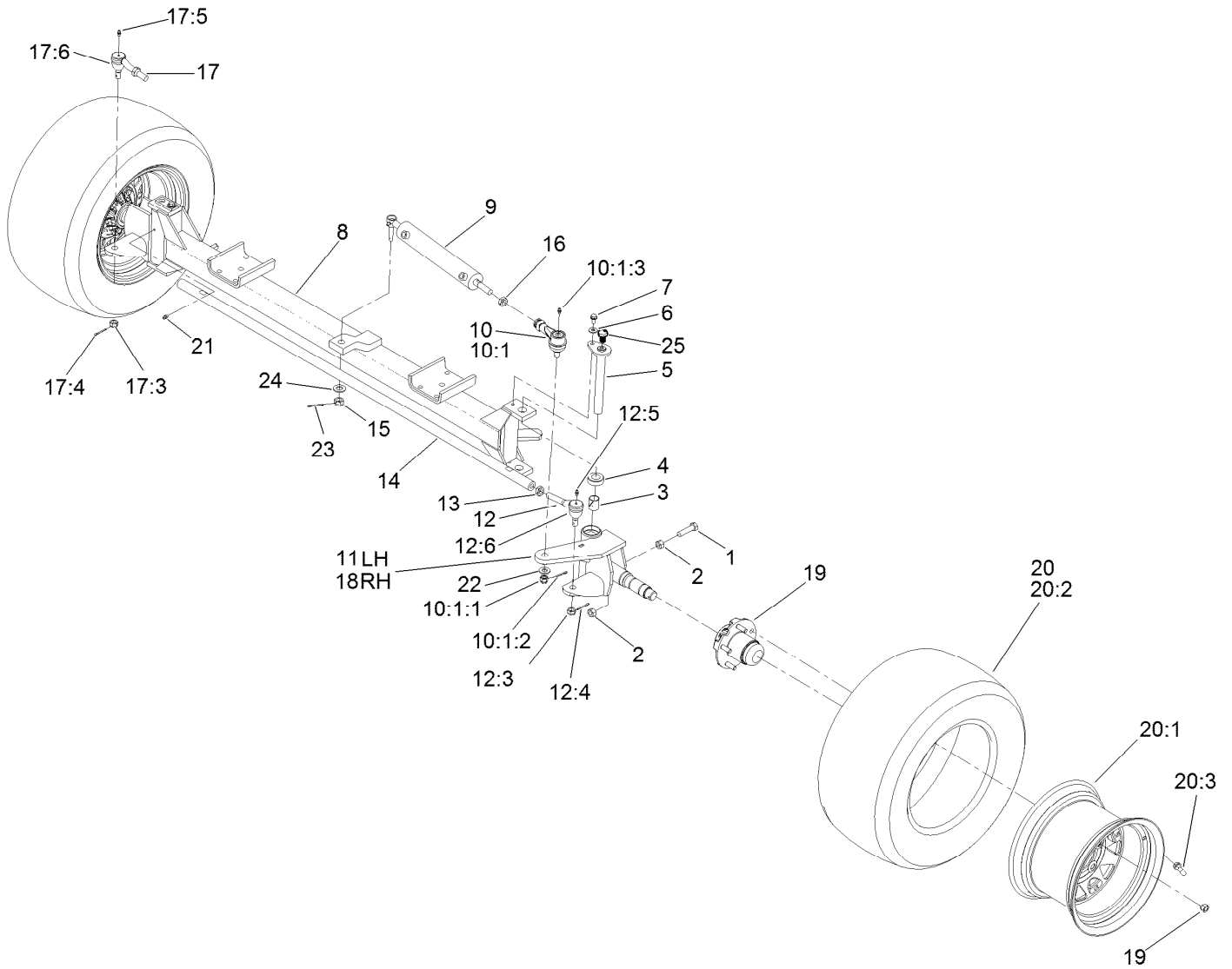
<i>Ref.</i>	<i>Part Number</i>	<i>Qty.</i>	<i>Description</i>
1	130-7070-03	1	Frame
2	104-8863	1	Tread-Floor
4	120-0623	3	Decal-Tie Down, Towing
5	107-8667	2	Decal-Jacking
6	107-8724	1	Decal-Traction
8	119-0599	1	Trim-Seal
12	107-8732	2	Decal-Torque (CE)
13	107-8731	2	Decal-Torque (CE)
14	240-6	1	Grommet-Rubber
24	131-5751	1	Foam-Seal
25	131-5752	1	Foam-Seal
26	131-5753	1	Foam-Seal
27	131-5754	2	Foam-Seal
29	136-2351	1	Decal-Brake, Parking



Front Axle Assembly

Ref.	Part Number	Qty.	Description	Ref.	Part Number	Qty.	Description
1	01-182-0816	2	Bolt-HH	12:5	302-5	1	Fitting-Grease
2	3217-9	4	Nut-HH	12:6	107-1587	1	Seal
3	93-6586	4	Bushing	13	3218-21	1	Nut-Jam LH
4	93-6587	2	Bearing	14	93-6588-03	1	Rod-Steering
5	138-6177	2	Pin-King	15	32136-13	1	Nut-SHH
6	3256-3	2	Washer-Flat	16	3220-11	2	Nut-Jam
7	32144-14	2	Screw-HWHTF	17	87-1480-03	1	End-Tie Rod, RH
8	138-9615-03	1	Front Axle ASM	17:3	32136-3	1	Nut-SHH
9	138-6102	1	Cylinder ASM	17:4	3272-12	1	Pin-Cotter
10	93-6509-03	1	Tie Rod End ASM	17:5	302-5	1	Fitting-Grease
10:1		1	End-Tie Rod ●	17:6	107-1587	1	Seal
10:1:1	137-4176	1	Nut-Hex, Slotted	18	117-5897-03	1	Spindle-RH
10:1:2	3272-12	1	Pin-Cotter	19	119-6003	2	Hub ASM
10:1:3	302-5	1	Fitting-Grease	20	127-1100	2	Wheel And Tire ASM
11	138-6244-03	1	Spindle-LH	20:1	125-5899	1	Wheel
12	87-1470-03	1	End-Tie Rod, LH	20:2	120-2114	1	Tire-Smooth
12:3	32136-3	1	Nut-SHH	20:3	232-27	1	Stem-Valve
12:4	3272-12	1	Pin-Cotter	21	302-5	2	Fitting-Grease

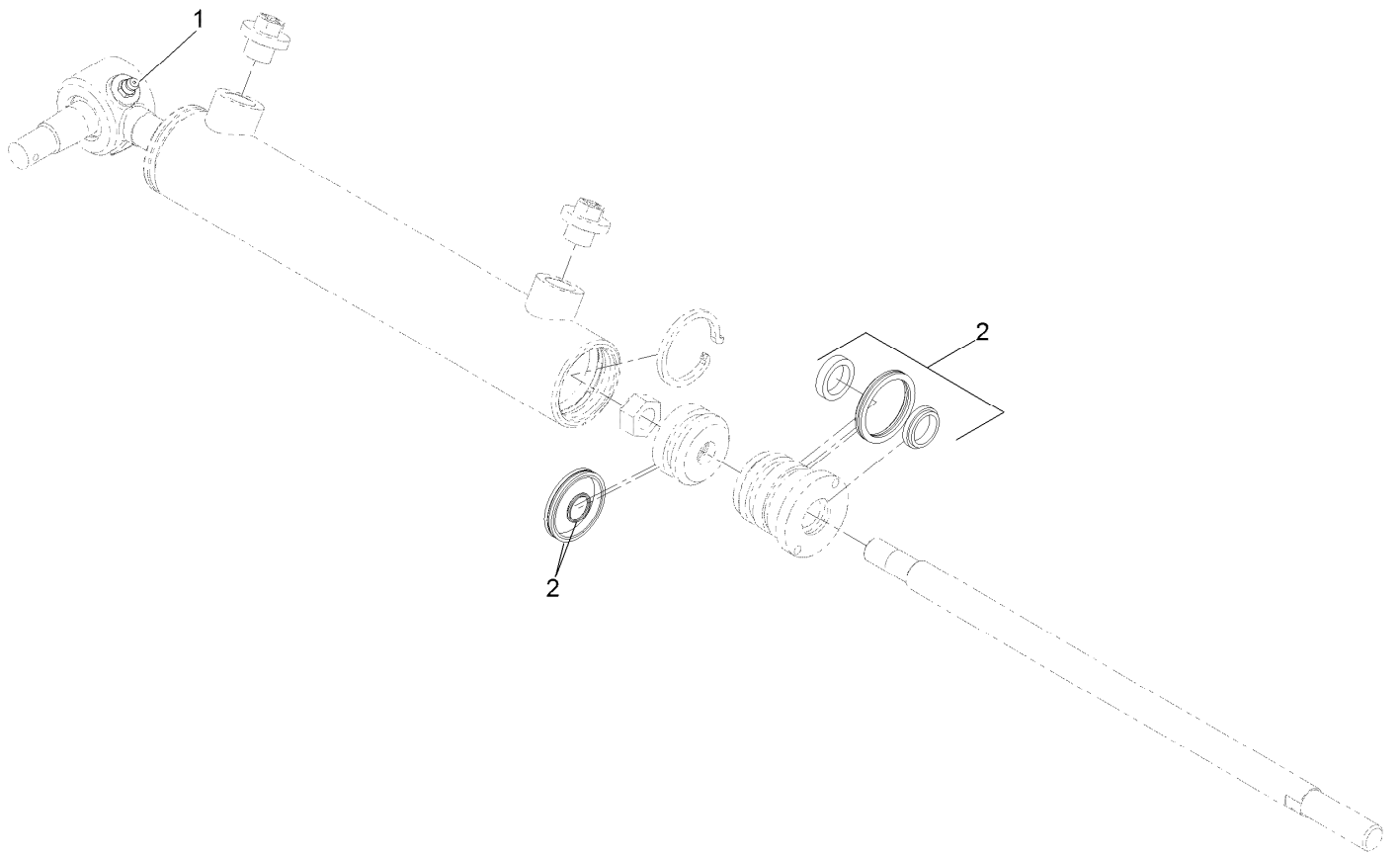
● Not serviced separately



Front Axle Assembly (continued)

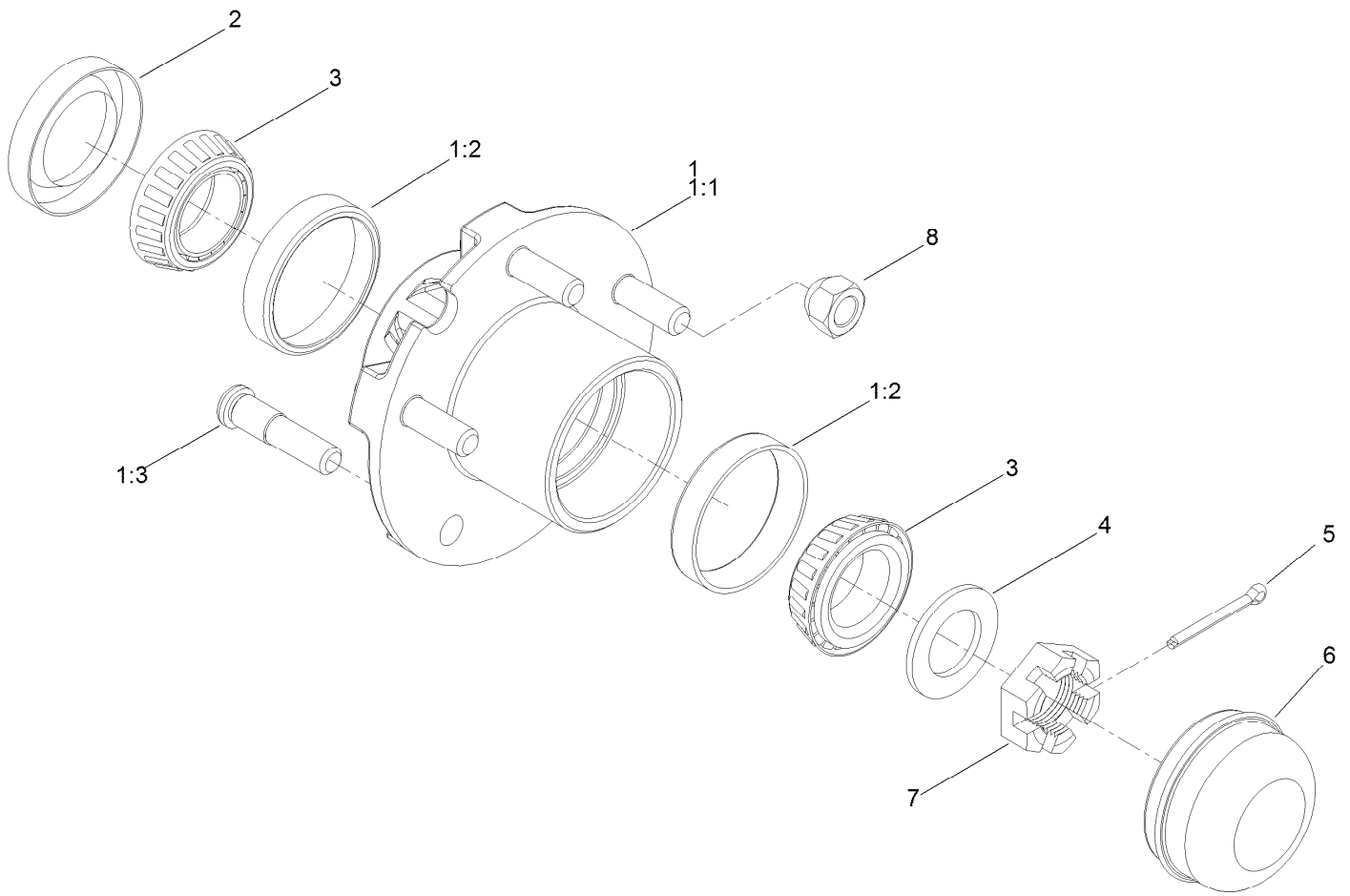
<i>Ref.</i>	<i>Part Number</i>	<i>Qty.</i>	<i>Description</i>	<i>Ref.</i>	<i>Part Number</i>	<i>Qty.</i>	<i>Description</i>
22	87-7270	1	Washer-Thrust	24	119-1868	1	Washer
23	3272-12	2	Pin-Cotter	25	138-6279	2	Screw-Cap, HH

● Not serviced separately



Cylinder Assembly No. 138-6102

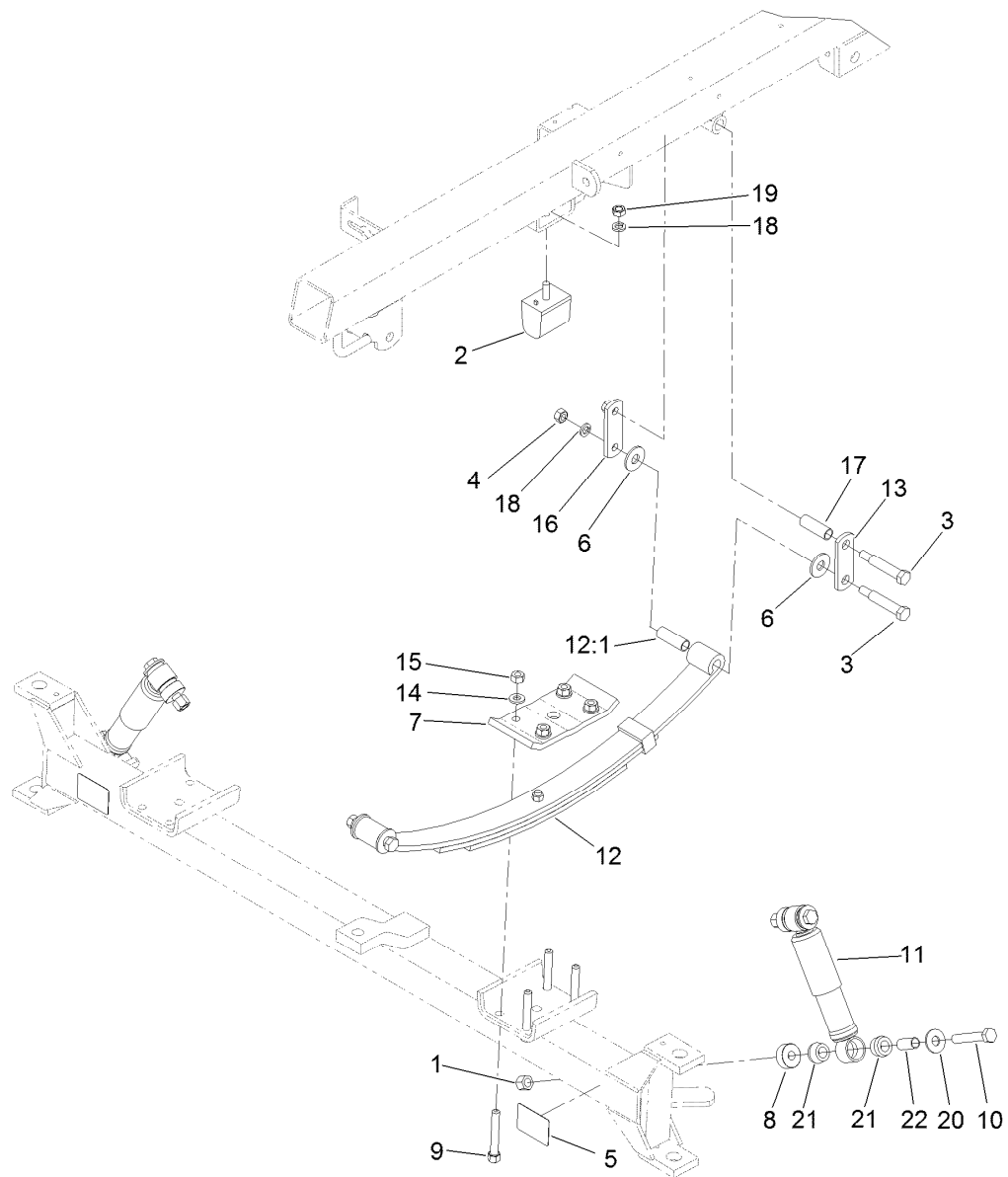
<i>Ref.</i>	<i>Part Number</i>	<i>Qty.</i>	<i>Description</i>
1	302-5	1	Fitting-Grease
2	139-3099	1	Repair Kit, Cylinder



Hub Assembly No. 119-6003

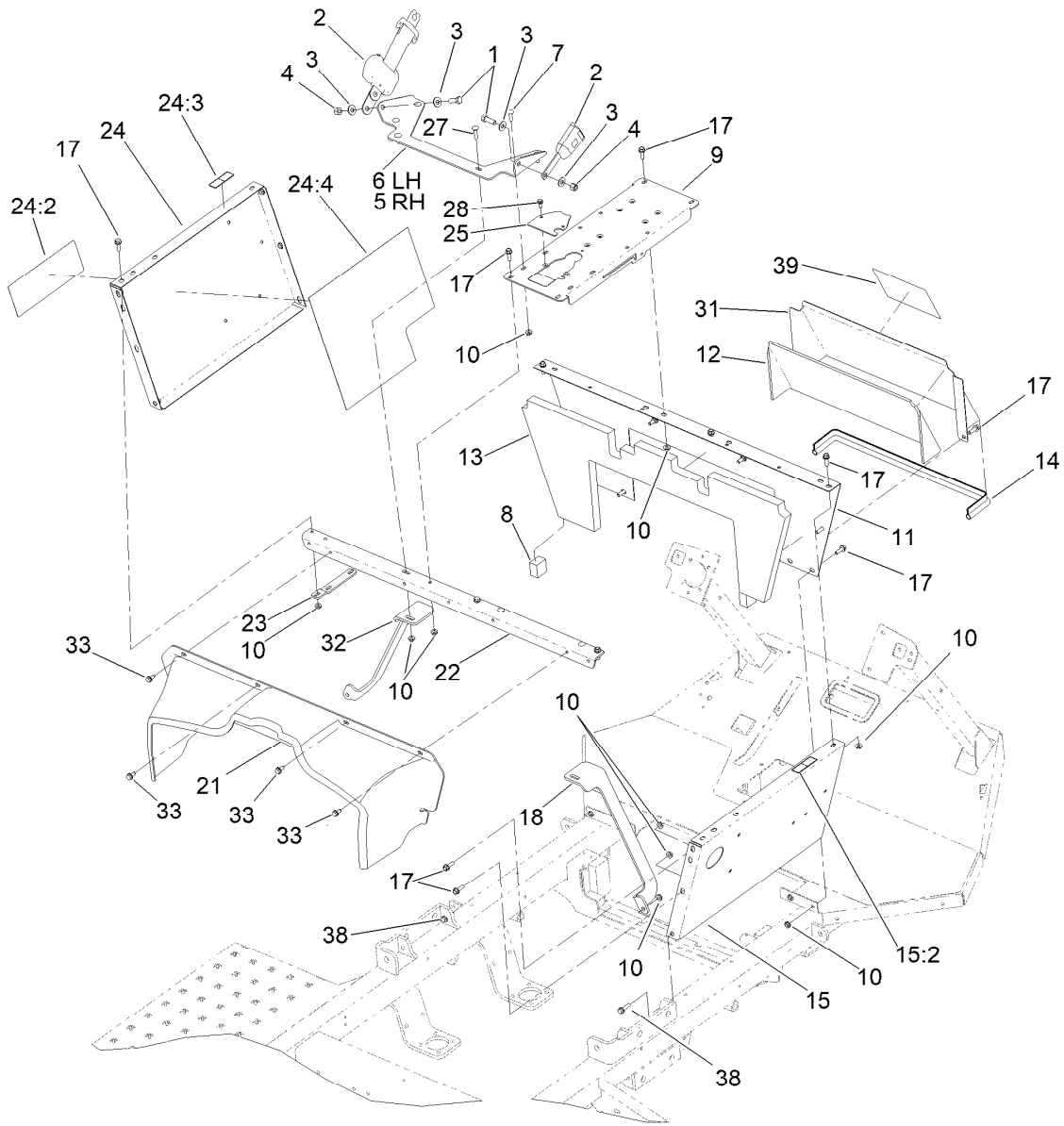
<i>Ref.</i>	<i>Part Number</i>	<i>Qty.</i>	<i>Description</i>
1	119-6001	1	Hub ASM
1:1		1	Hub ●
1:2	115-9471	2	Bearing-Cup
1:3	69-2990	5	Stud-Wheel
2	94-7285	1	Seal
3	254-62	2	Bearing-Roller, Cone
4	85-5770	1	Washer-Thrust
5	3272-18	1	Pin-Cotter
6	119-6004	1	Cap-Dust
7	119-6005	1	Nut-Slotted, Hex
8	242-35	5	Nut-Wheel

● Not serviced separately



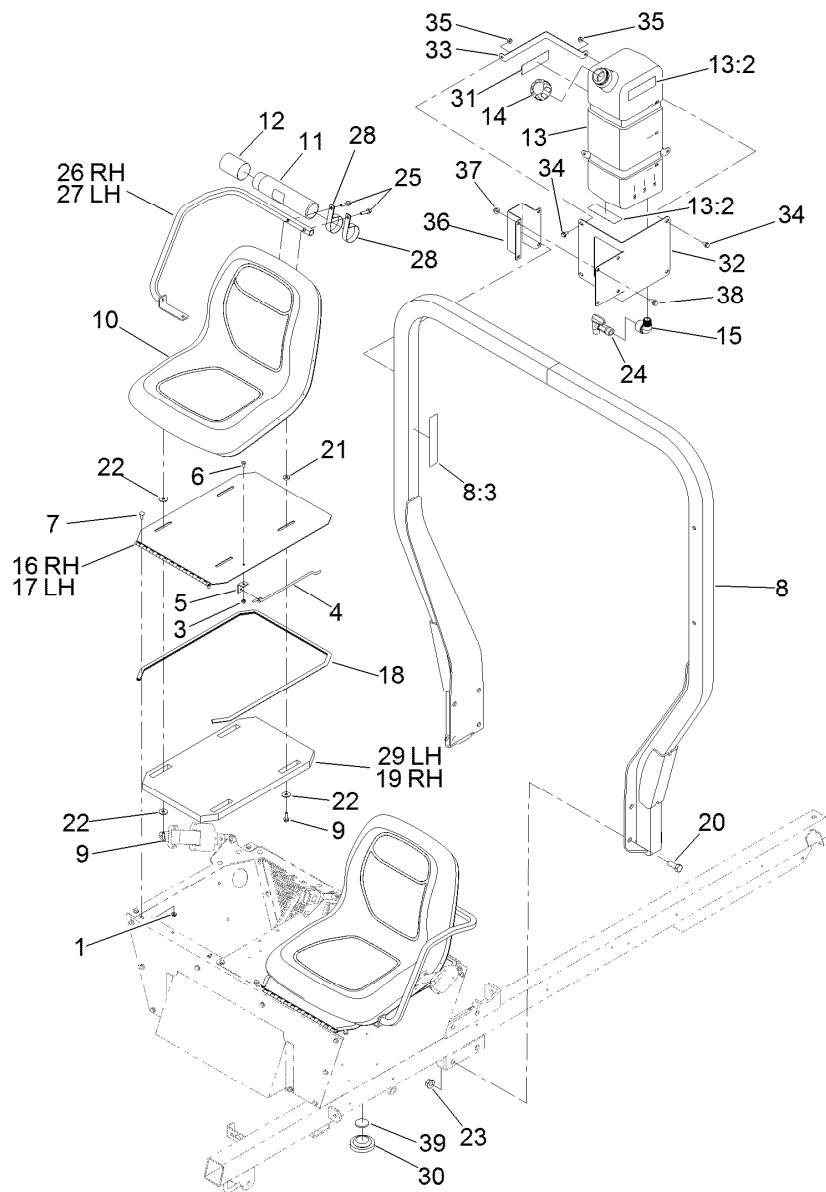
Front Suspension Assembly

<i>Ref.</i>	<i>Part Number</i>	<i>Qty.</i>	<i>Description</i>	<i>Ref.</i>	<i>Part Number</i>	<i>Qty.</i>	<i>Description</i>
1	3296-23	4	Nut-Lock, NI	12:1	119-9437	2	Bushing-Spring, Leaf
2	87-3470	2	Bumper	13	42574	2	Shackel-Outside
3	110-5072	6	Bolt-Shoulder	14	87-7480	8	Washer
4	3217-8	6	Nut-Hex	15	106-0327	8	Nut-Hex
5	107-8667	2	Decal-Jacking	16	42576	2	Shackel-Inside
6	93-6161	8	Washer	17	42592	2	Bushing-Shackle
7	121-5089-03	2	Plate-Top, Spring	18	3253-6	8	Washer-Lock
8	127-2913	4	Spacer	19	93-6166	2	Nut-Hex
9	26-0672	8	Bolt-Blade	20	3256-6	4	Washer-Flat
10	325-12	4	Screw-HH	21	87-3920	8	Bushing
11	121-9774	2	Absorber-Shock	22	127-2925	4	Sleeve
12	99-0569	2	Spring Leaf				



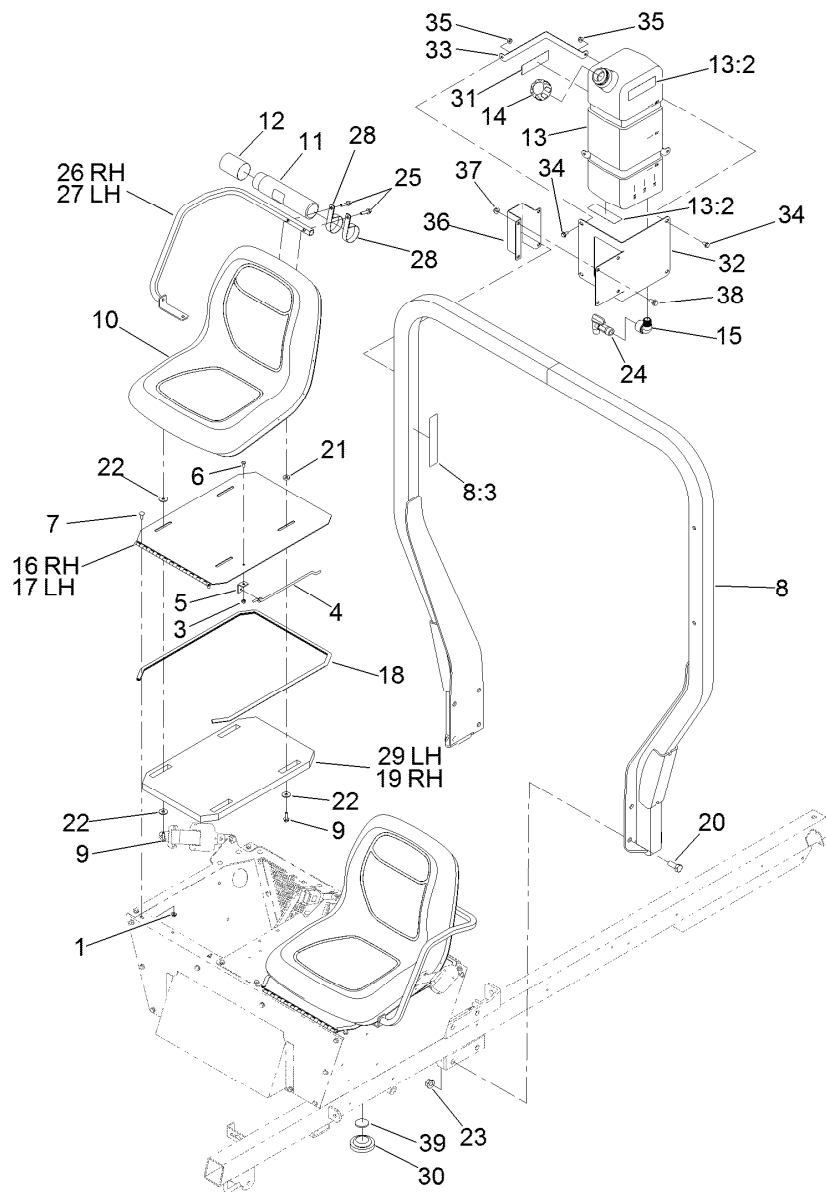
Seat Base Assembly

<i>Ref.</i>	<i>Part Number</i>	<i>Qty.</i>	<i>Description</i>	<i>Ref.</i>	<i>Part Number</i>	<i>Qty.</i>	<i>Description</i>
1	324-5	4	Screw-HH	18	107-8729-0P	1	Support-RH
2	110-0413	2	Seatbelt-Retractable	21	132-7660	1	Cover-Engine
3	3256-4	8	Washer-Flat	22	119-5025-0P	1	Angle-Seat Box
4	3296-48	4	Nut-Hex	23	95-2264	2	Strap
5	121-5071-03	1	Bracket-Seat Belt, RH	24	131-5788	1	LH Seat Box Panel ASM
6	121-5072-03	1	Bracket-Seat Belt, LH	24:2	120-0619	1	Decal-Warning
7	3230-22	10	Screw-CARR	24:3	120-0625	1	Decal-Warning
8	144-6168	2	Strip-Foam, Noise Barrier	24:4	131-5806	1	Shield-Heat Tape, Seatbase (LH)
9	132-7667-03	1	Base-Console	25	132-7705-03	1	Retainer-Harness, Base
10	32128-20	38	Nut-HF	27	3230-3	2	Screw-CARR
11	130-7107-01	1	Panel-Front, Seatbase	28	119-4012	2	Screw-HWHTF
12	130-7132	1	Barrier-Noise, Access Panel	31	130-7119-01	1	Panel-Access, Seatbase
13	144-6240	1	Barrier - Noise, Front Panel	32	107-8730-0P	1	Support-LH
14	131-3282	1	Trim	33	32144-70	4	Screw-HWHTF
15	130-7104	1	Panel-Seatbase, RH	38	3234-36	2	Screw-HHF
15:2	120-0625	1	Decal-Warning	39	139-3065	1	Decal-Service
17	3234-17	20	Screw-HHF				



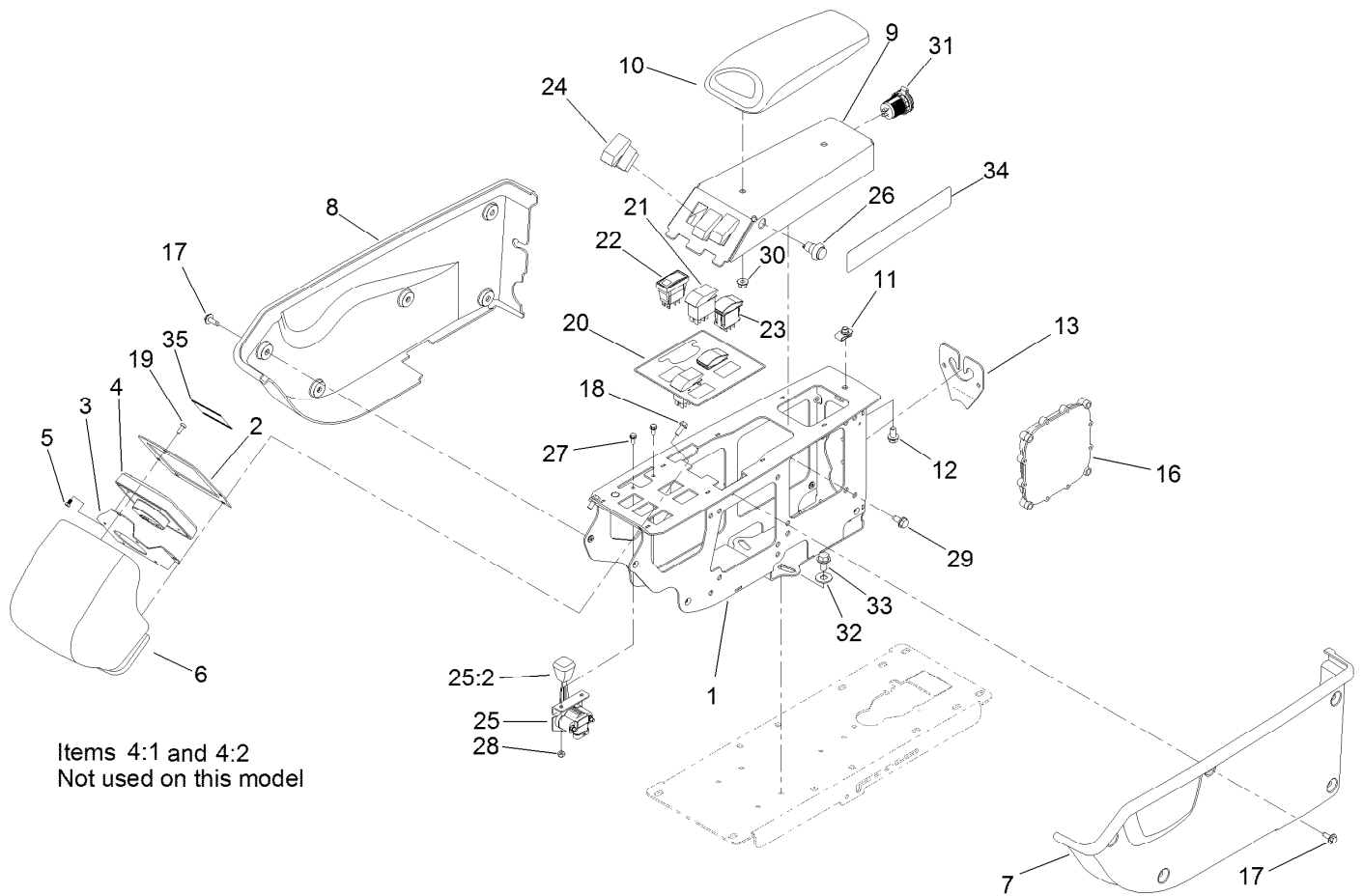
Seat, Fresh Water Tank and Roll-Over Protection System Assembly

<i>Ref.</i>	<i>Part Number</i>	<i>Qty.</i>	<i>Description</i>	<i>Ref.</i>	<i>Part Number</i>	<i>Qty.</i>	<i>Description</i>
1	32128-20	4	Nut-HF	19	108-3290	1	Barrier-Noise, Seat
3	3296-42	2	Nut-Lock, NI	20	327-4	8	Screw-HH
4	94-7204	2	Rod-Prop, Seat	21	7-0081	6	Washer-Flat
5	94-7203	2	Bracket	22	52-2861	10	Washer
6	321-3	2	Screw-HH	23	32128-50	8	Nut-Flange
7	3230-23	4	Bolt-CARR	24	100-7011	1	Spigot-90 DEG
8	119-0589	1	ROPS ASM	25	33104-035	4	Screw-HHF
8:3	117-4955	1	Decal-Danger, ROPS (CE)	26	140-6360	1	Armrest-RH
9	33104-025	8	Screw-HHF	27	140-6359	1	Armrest LH
10	112-2923	2	Seat ASM	28	2412-133	2	Clamp-R
11	104-7050	1	Tube-Manual	29	132-7666	1	Barrier-Noise, Seat
12	104-7048	1	Cap-Housing	30	100-3524	1	Switch-Seat
13	132-7745	1	Fresh Water Tank ASM	31	120-0616	1	Decal-Water, Fresh
13:2	120-0616	3	Decal-Water, Fresh	32	132-5619-03	1	Mount-Tank, Eye Wash
14	106-5052	1	Cap-Water, Fresh	33	132-7628-03	2	Band-Tank, Eye Wash
15	132-7706	1	Elbow-90 DEG	34	3234-7	4	Screw-HHF
16	108-3289-03	1	Panel-Seat, RH	35	104-8300	4	Nut-HF, NI
17	132-7664-03	1	Panel-Seat, LH	36	132-7627-03	1	Clamp-Bracket, Fresh Water Tank
18	94-7085	2	Trim				



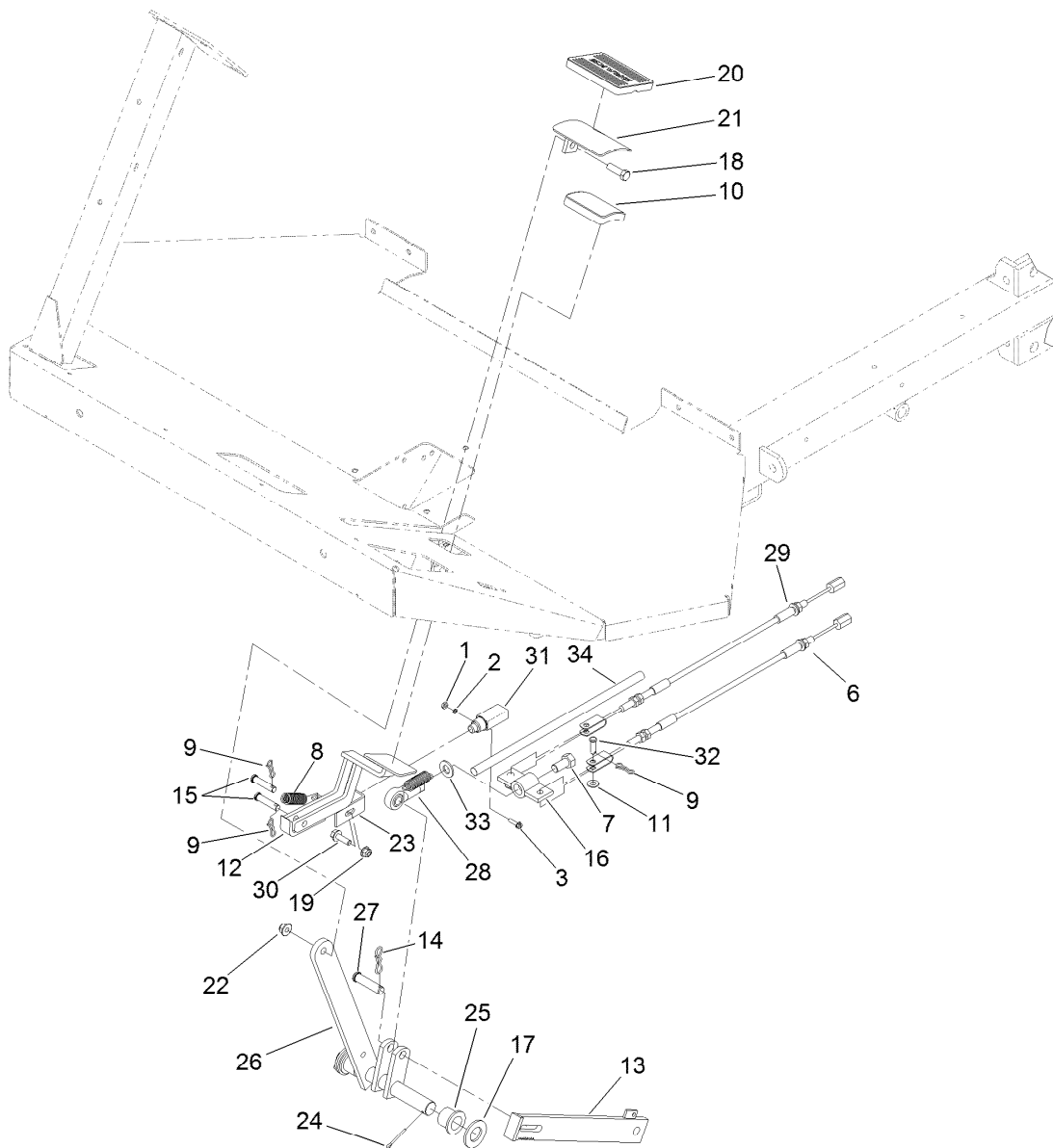
Seat, Fresh Water Tank and Roll-Over Protection System Assembly (continued)

<i>Ref.</i>	<i>Part Number</i>	<i>Qty.</i>	<i>Description</i>	<i>Ref.</i>	<i>Part Number</i>	<i>Qty.</i>	<i>Description</i>
37	104-8301	4	Nut-HF, NI	38	3234-1	4	Screw-HHF
				39	133-2797	1	Disc-Plunger



Control Console Assembly

Ref.	Part Number	Qty.	Description	Ref.	Part Number	Qty.	Description
1	132-5640-03	1	Frame-Console	20	132-7695	1	Decal-Console
2	132-7615-03	1	Plate-Monitor	21	100-8490	2	Switch-Rocker, On-None-On
3	132-7610-0P	1	Retainer - Monitor	22	104-9007	1	Switch-Rocker
4	125-5320	1	Infocenter	23	100-1535	2	Switch-Rocker, (On)-Off-(On)
4:1	115-8884	4	Nut-Thumb	24	95-8999	3	Switch
4:2	115-8885	4	Stud	25	122-0111	1	Throttle-Electronic
5	132-7668	4	Screw-PPH	25:2	66-0120	1	Knob
6	132-7617	1	Hood-Console	26	125-7996	1	Switch-Pb, Momentary
7	132-7611	1	Cover-LH	27	3290-321	2	Screw-HWH
8	132-7612	1	Cover-RH	28	3296-2	2	Nut-Lock, NI
9	132-5645-03	1	Panel-Arm	29	32144-70	4	Screw-HWHTF
10	131-9637	1	Armrest-Quick Find	30	104-8300	2	Nut-HF, NI
11	112-3306	1	Nut	31	131-8388	1	Socket-USB
12	3234-14	1	Screw-HHF	32	3256-4	3	Washer-Flat
13	132-7704-03	1	Retainer-Harness, Console	33	110-9380	3	Screw-HWH
16	114-3321	1	Controller-Tec	34	132-7786	1	Decal-Quickfind
17	119-4012	12	Screw-HWHTF	35	114-5554	1	Decal-Center, Info
18	32144-85	2	Screw-HWH				
19	3250-12	3	Screw-PPH				



Brake Pedal Assembly

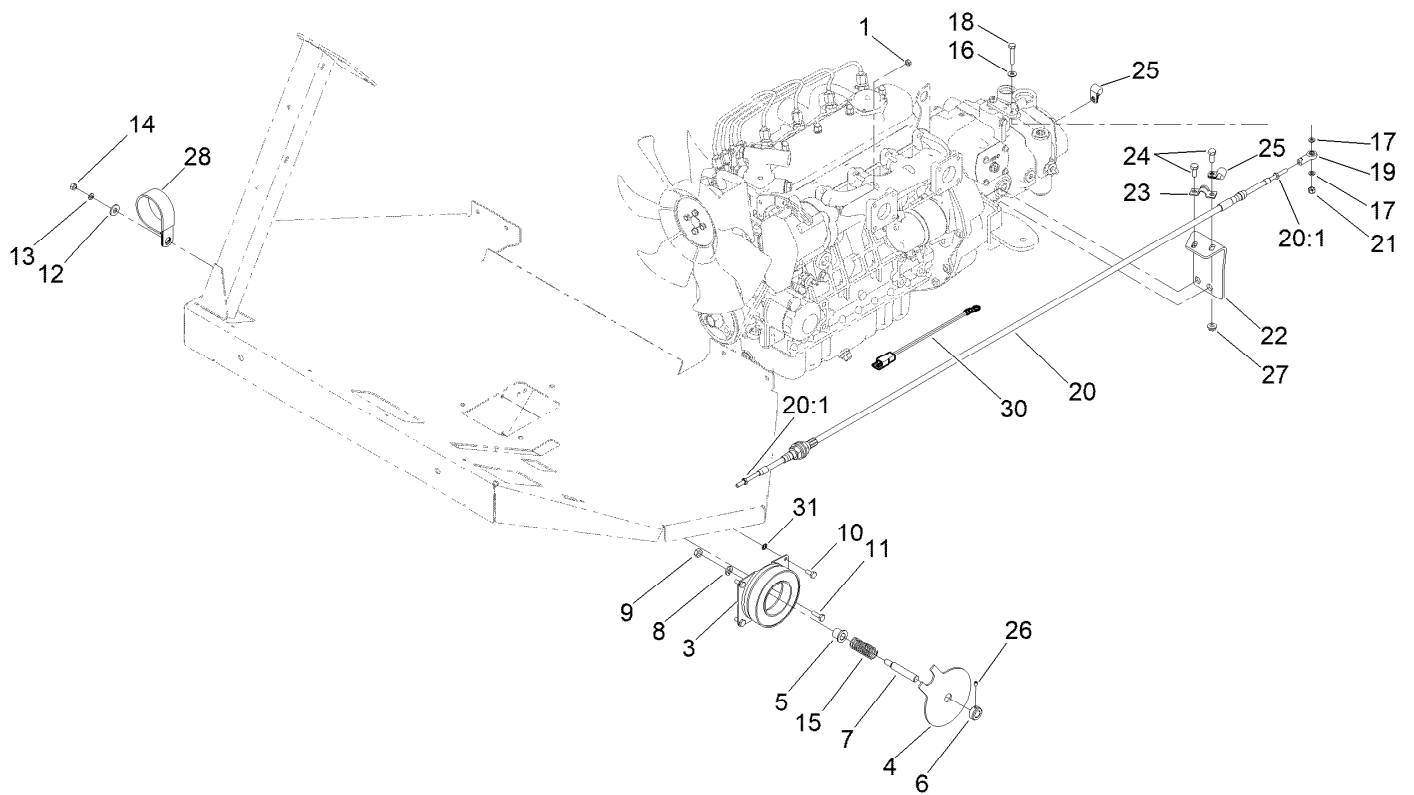
Ref.	Part Number	Qty.	Description	Ref.	Part Number	Qty.	Description
1	3217-26	2	Nut-Hex	19	104-8300	1	Nut-HF, NI
2	3253-17	2	Washer-Lock	20	7-3900	1	Pad-Brake
3	32105-13	2	Screw-HWH	21	100-8422-0P	1	Bracket-Pedal, Welded
6	119-9364	1	Cable-Brake, LH	22	104-8301	1	Nut-HF, NI
7	3213-1	1	Screw-HH	23	93-6592	1	Bracket
8	92-0417	2	Spring-EXT	24	3272-12	2	Pin-Cotter
9	119-1415	4	Pin-Cotter, Locking	25	94-7164	2	Bearing
10	42719	1	Pad-Pedal	26	93-6589	1	Shaft-Brake
11	3256-23	2	Washer-Plain	27	42195	1	Pin-Clevis
12	93-6599-03	1	Catch	28	522087	1	Rod-End
13	93-6598-0P	1	Brake Strap ASM. - Emergency, Welded	29	119-9365	1	Cable-Brake, RH
14	119-1416	1	Pin-Cotter, Locking	30	3234-17	1	Screw-HHF
15	283-15	2	Pin-Clevis	31	99-7407	1	Switch
16	93-6595	1	Equalizer-Brake	32	283-58	2	Pin-Clevis
17	3256-29	3	Washer-Flat	33	3256-26	1	Washer-Flat
18	323-7	1	Screw-HH	34	130-7176	1	Sleeve-Thermal, Wrap



Traction Pedal Assembly

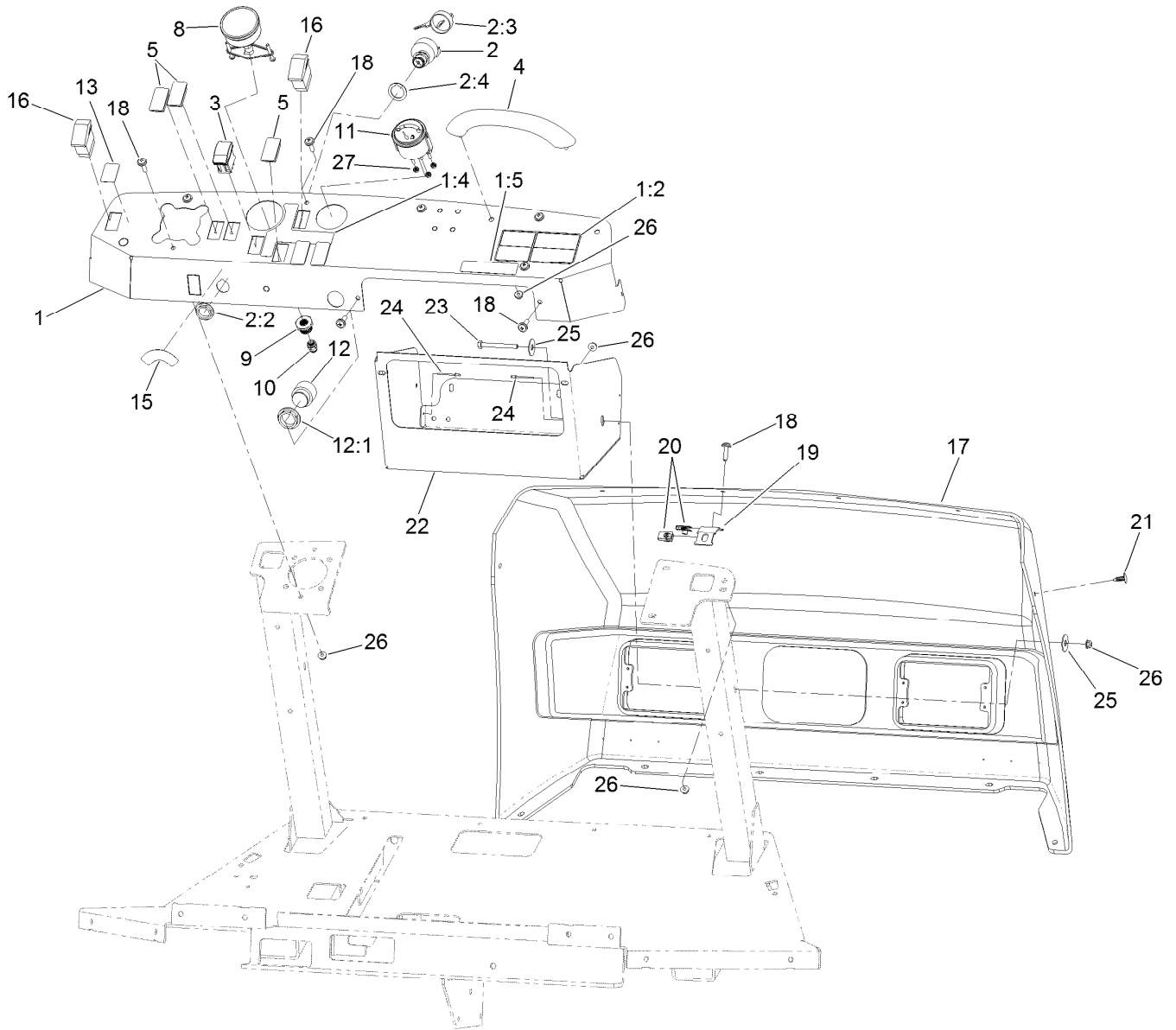
Ref.	Part Number	Qty.	Description	Ref.	Part Number	Qty.	Description
1	92-0450	1	Bracket Pin	13	32121-11	1	Pin-Roll
2	92-0448	1	Pin-Pivot	14	3234-4	2	Screw-HHF
3	106-5247-03	1	Traction Pedal ASM	15	104-7201	2	Nut-HF, NI
3:1		1	Pedal-Traction ●	16	321-9	1	Screw-HH
3:1:6	106-5248	1	Spacer	17	33093-00	2	Washer-Flat
4	71-0440	1	Abrasive-Pedal	18	2411-41	1	Rod End-Ball Joint
5	95-3857	1	Screw-HSBH	19	3296-42	1	Nut-Lock, NI
6	80-7730	1	Spacer	20	3272-7	2	Pin-Cotter
7	2411-36	1	Bearing-End, Rod	21	104-8301	1	Nut-HF, NI
8	92-7609	1	Shaft-Spring	22	71-0450	1	Abrasive-Pedal, Rear
9	3220-3	1	Nut-HJ	23	3234-14	2	Screw-HHF
10	92-7608-03	1	Bracket-Spring	24	256-156	2	Bushing-Flange
11	3256-5	1	Washer-Flat	25	84-9100	1	Spring
12	92-7610	1	Retainer-Spring				

● Not serviced separately



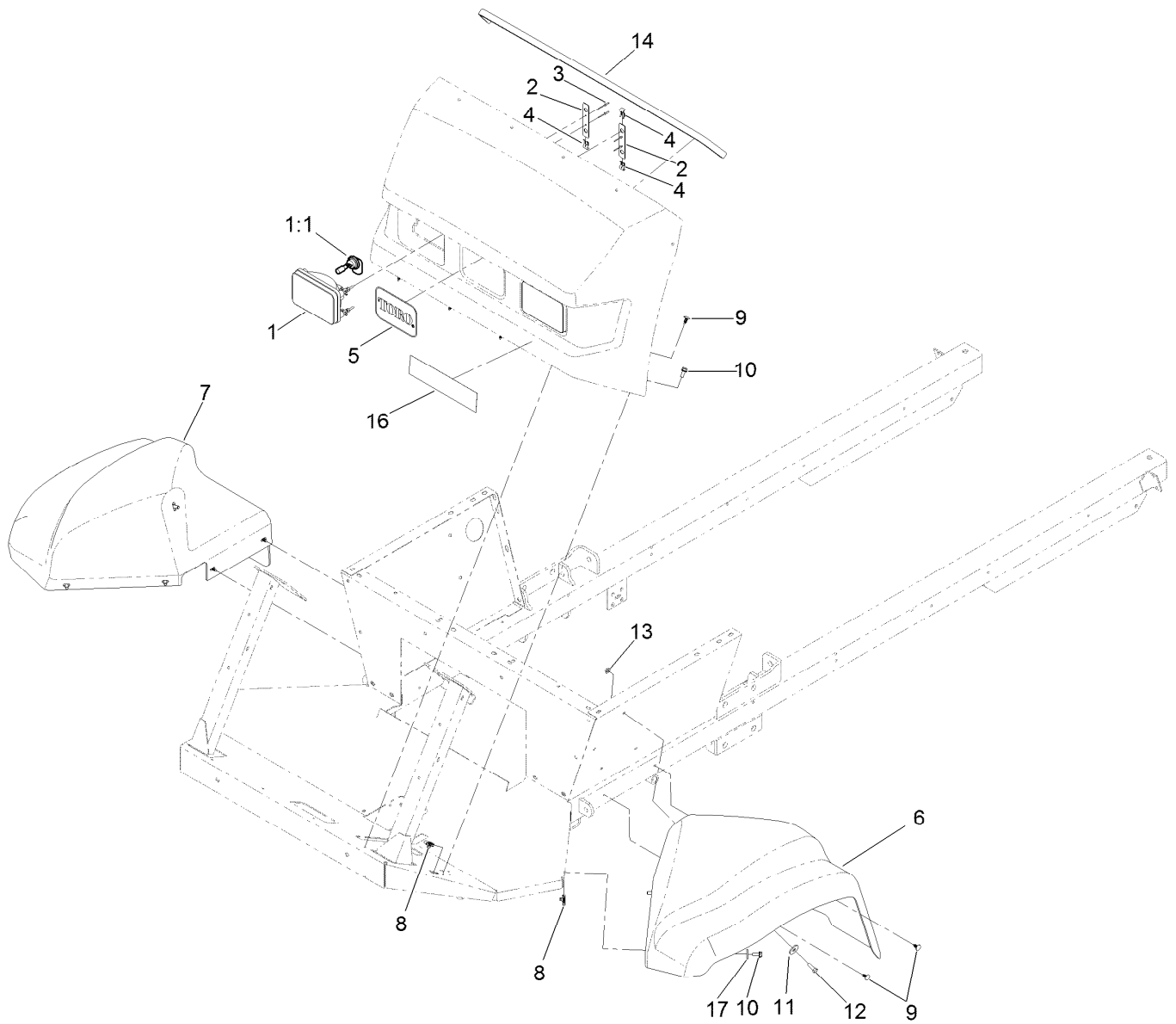
Throttle Assembly

<i>Ref.</i>	<i>Part Number</i>	<i>Qty.</i>	<i>Description</i>	<i>Ref.</i>	<i>Part Number</i>	<i>Qty.</i>	<i>Description</i>
1	33013-00	1	Nut-Hex	17	33093-00	2	Washer-Flat
3	42-1720	1	Core-Field, Coil	18	321-9	1	Screw-HH
4	144-6182	1	Plate-Clutch	19	2411-41	1	Rod End-Ball Joint
5	256-273	1	Bushing-Flange	20	106-5233	1	Cable-Traction
6	43-6320	1	Collar	20:1	3220-1	2	Nut-Jam
7	69-9170	1	Shaft-Cruise	21	3296-42	1	Nut-Lock, NI
8	3253-5	1	Washer-Lock	22	119-9359	1	Bracket-Cable, Rear
9	3217-7	1	Nut-Hex	23	93-2092	1	Clamp-Cable
10	321-3	3	Screw-HH	24	322-3	2	Screw-HH
11	321-5	1	Screw-HH	25	2412-93	2	Clamp-R
12	3256-3	1	Washer-Flat	26	3245-32	1	Screw-HSH
13	3253-3	4	Washer-Lock	27	32128-20	2	Nut-HF
14	3217-5	4	Nut-Hex	28	2412-102	1	Clamp-R
15	43-6200	1	Spring-Compression	30	108-9455	1	Harness-Wire, Fusible Link
16	3256-22	1	Washer-Flat	31	3255-7	4	Washer-Lock/EXT



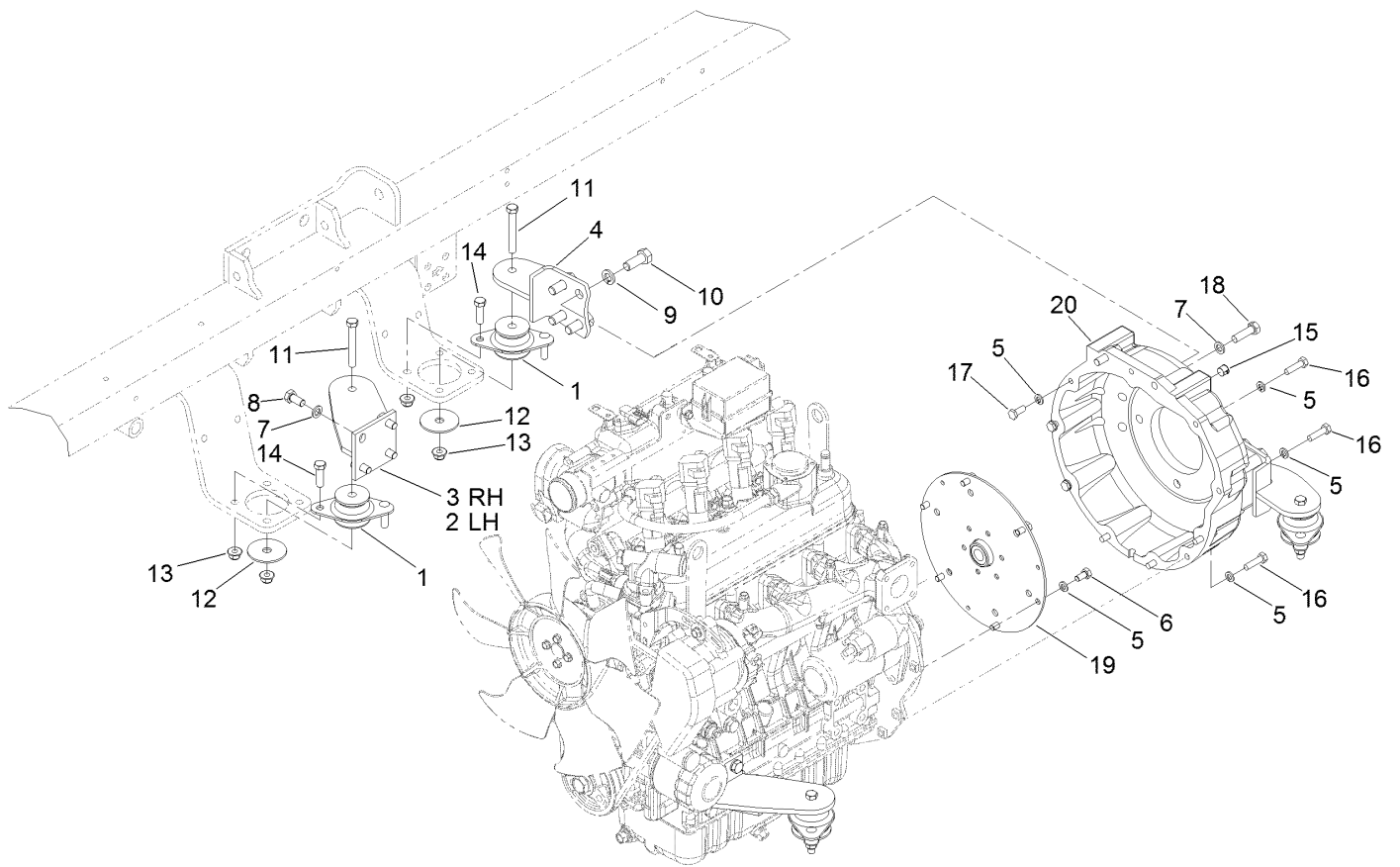
Dash Panel Assembly

Ref.	Part Number	Qty.	Description	Ref.	Part Number	Qty.	Description
1	132-7690	1	Dash Panel ASM	12	80-9330	1	Audio Alarm ASM
1:2	120-0624	1	Decal-Warning, Passenger	12:1	104-5107	1	Nut-Plastic, Knurled
1:4	132-7689	1	Decal-Switch	13	132-7708	1	Decal-Lights, Horn
1:5	133-8062	1	Decal-Arrestor, Spark	15	132-7783	1	Decal-Ignition Switch, Gas
2	106-5269	1	Ignition Switch ASM	16	95-8999	2	Switch
2:2	108-8660	1	Nut-Mounting	17	117-0793	1	Hood
2:3	106-5270	1	Ignition Key Set	18	110-9361	12	Screw-PPH
2:4	108-8659	1	Washer-Backup	19	117-0735	4	Bracket-Hood
3	100-1535	1	Switch-Rocker, (On)-Off-(On)	20	107069	8	Clip
4	117-4948	1	Handle-Grab	21	117-2382	2	Plug-Plastic
5	99-7420	5	Plug-Hole	22	136-0426-03	1	Compartment-Storage
8	120-8546	1	Gauge-Pressure	23	321-15	1	Screw-HH
9	100-8665	1	Reducer-Gauge, Pressure	24	3269-32	3	Rivet-Pop
10	100-8667	1	Coupler-Reducer	25	52-2860	2	Washer
11	132-7614	1	Gauge-Fuel	26	104-7201	7	Nut-HF, NI
				27	363-1483	3	Nut-Hex, K Lock



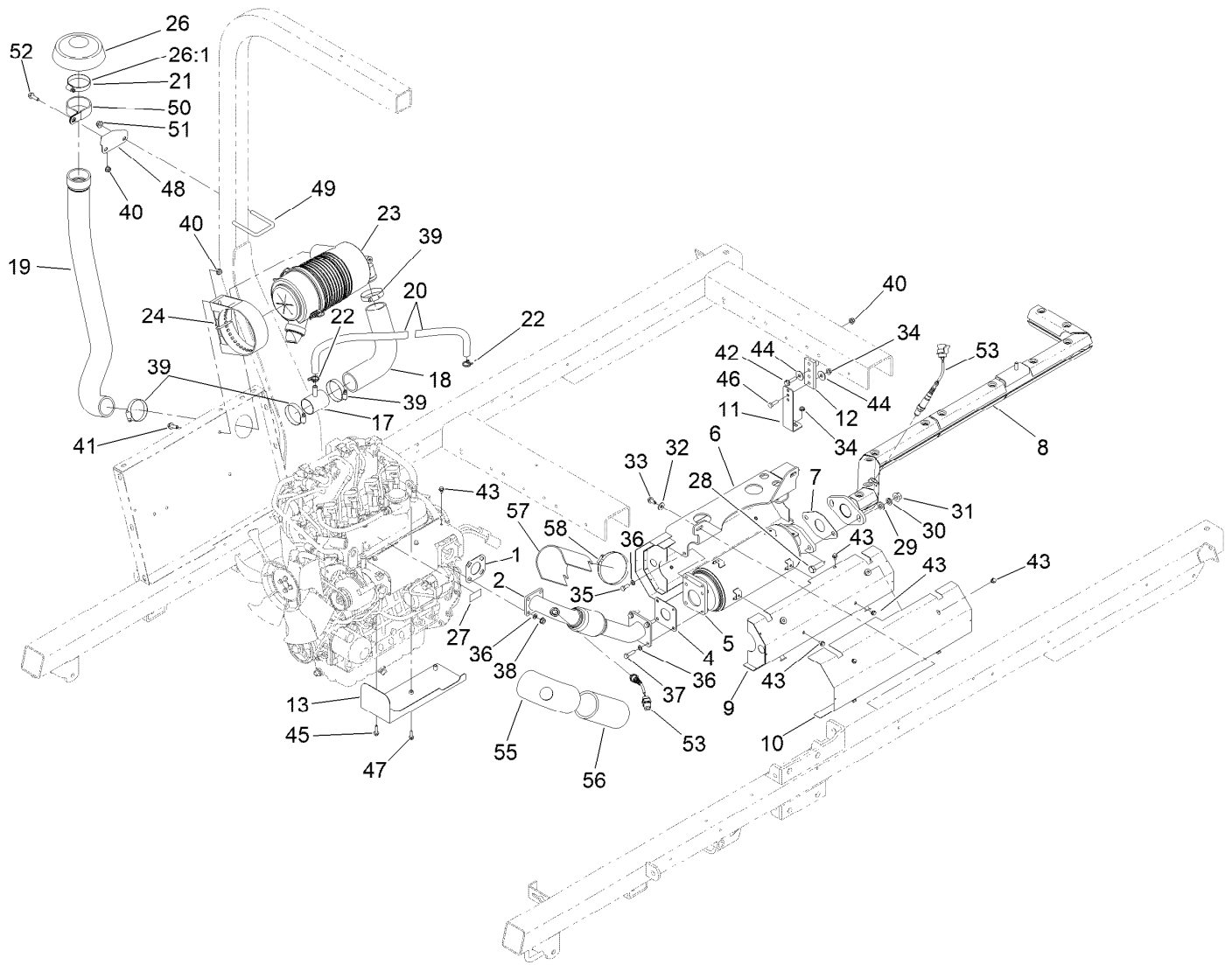
Hood and Fender Assembly

<i>Ref.</i>	<i>Part Number</i>	<i>Qty.</i>	<i>Description</i>	<i>Ref.</i>	<i>Part Number</i>	<i>Qty.</i>	<i>Description</i>
1	132-6703	2	Headlight ASM	9	117-2382	8	Plug-Plastic
1:1	115-2395	1	Bulb-Light	10	3234-47	6	Screw-HHF
2	117-5832	4	Bracket-Headlight	11	63-8410	2	Washer
3	3290-274	8	Rivet-Pop	12	322-5	2	Screw-HH
4	115-2408	6	Clip-Speed	13	32128-20	2	Nut-HF
5	62-5550	1	Decal	14	119-0504	1	Trim-Hood
6	119-0417	1	Fender	16	131-3309	1	Decal
7	119-0418	1	Fender	17	3256-82	4	Washer-Flat
8	94-2413	6	Nut-U				



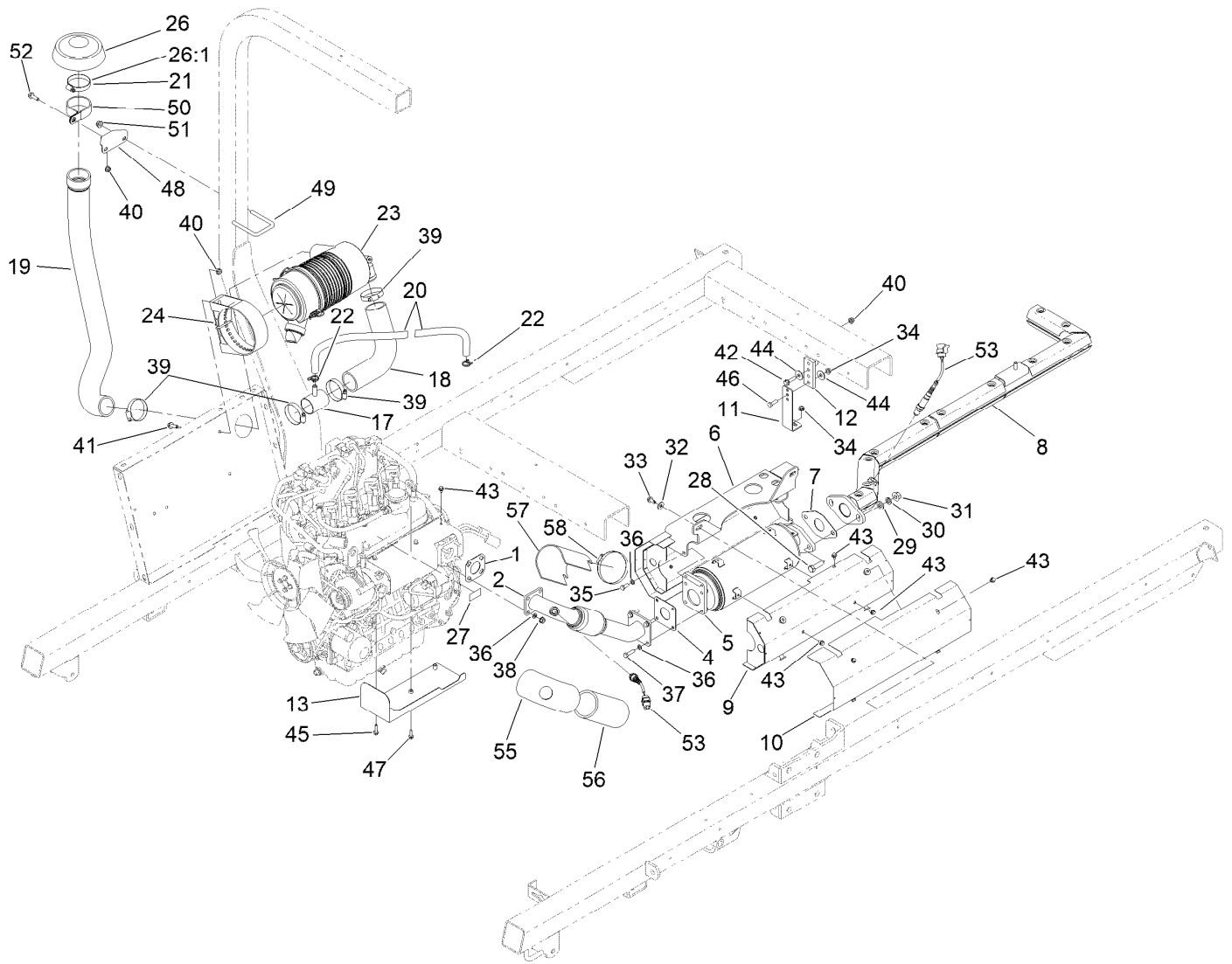
Engine Mounting and Bell Housing

<i>Ref.</i>	<i>Part Number</i>	<i>Qty.</i>	<i>Description</i>	<i>Ref.</i>	<i>Part Number</i>	<i>Qty.</i>	<i>Description</i>
1	131-1821	4	Mount-Engine	11	323-13	4	Screw-HH
2	117-0667-0P	1	Bracket ASM-LH [primed]	12	87-5100	4	Washer-Snubbing
3	117-0666-0P	1	Bracket ASM-RH [primed]	13	104-8301	12	Nut-HF, NI
4	117-0669-0P	2	Bracket ASM-Rear Mount [primed]	14	323-7	8	Screw-HH
5	3253-4	15	Washer-Lock	15	119-6039	2	Plug-Plastic
6	99-5132	6	Bolt	16	33114-030	6	Screw-HH
7	48-9590	10	Washer-Lock	17	33114-020	3	Screw-HH
8	63-7790	8	Screw-Cap	18	56-2140	2	Screw-HH
9	3253-7	8	Washer-Lock	19	92-0285	1	Coupling ASM
10	325-5	8	Screw-HH	20	105-0100	1	Housing-Flywheel



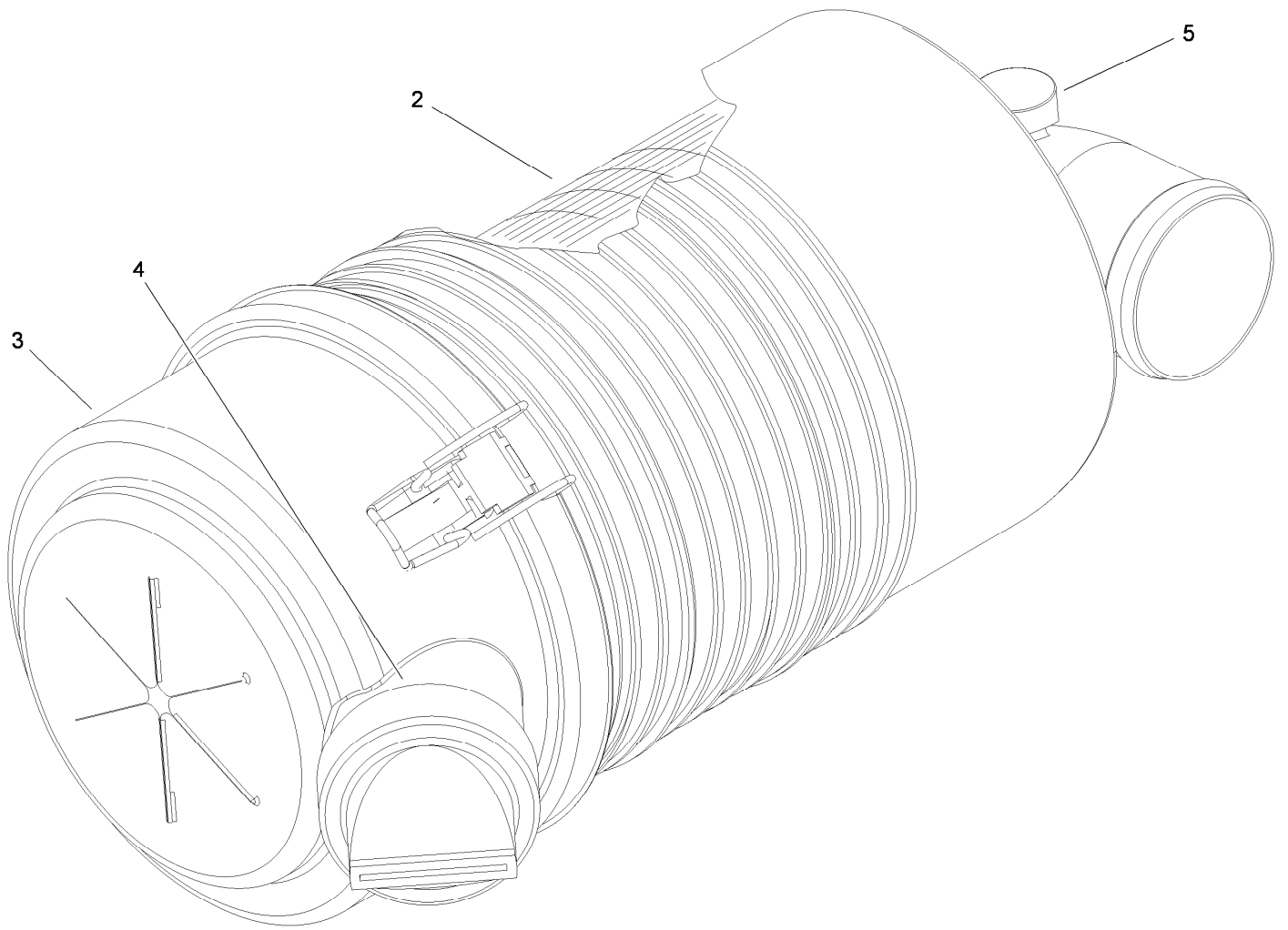
Muffler and Air Cleaner Assembly

Ref.	Part Number	Qty.	Description	Ref.	Part Number	Qty.	Description
1	121-5589	1	Gasket-Manifold, Exhaust	26:1	2412-130	1	Clamp-Hose
2	131-5773	1	Pipe-Header	27	106-5517	1	Decal-Warning
4	121-5590	1	Gasket-Manifold, Outlet	28	33116-040	2	Screw-HH
5	133-2788	1	Catalyst	29	33096-00	2	Washer-Flat
6	127-8935	1	Bracket-Mount, Exhaust	30	48-8070	2	Washer-Lock
7	121-5591	1	Gasket-Outlet, Catalyst	31	33006-00	2	Nut-HF
8	130-7333	1	Pipe-Tail	32	3256-3	2	Washer-Flat
9	130-7228	2	Shield-Muffler, Inner	33	32104-32	2	Screw-HWH
10	130-7208	2	Shield-Muffler, Outer	34	32128-25	2	Nut-HF
11	120-8557	1	Bracket-Hanger	35	33114-020	4	Screw-HH
12	117-0744	1	Hanger-Muffler	36	3253-4	12	Washer-Lock
13	130-7206	1	Shield-Manifold, Bottom	37	33114-030	4	Screw-HH
17	120-5552	1	Vent	38	33004-00	8	Nut-HF
18	130-7098	1	Hose-Intake	39	2412-130	4	Clamp-Hose
19	136-2267	1	Hose-Air Cleaner	40	104-8300	5	Nut-HF, NI
20	138-6269	2	Hose-Overflow	41	3234-17	2	Screw-HHF
21	2412-42	1	Clamp-Hose	42	119-4036	1	Screw-HHF
22	117-1193	4	Clamp-Hose	43	81-1280	16	Screw-HHF
23	106-5277	1	Air Cleaner ASM	44	52-2860	2	Washer
24	98-4525	1	Bracket-Cleaner, Air	45	33103-025	2	Screw-HHF
26	139-0686	1	Rain Cap ASM	46	322-5	1	Screw-HH



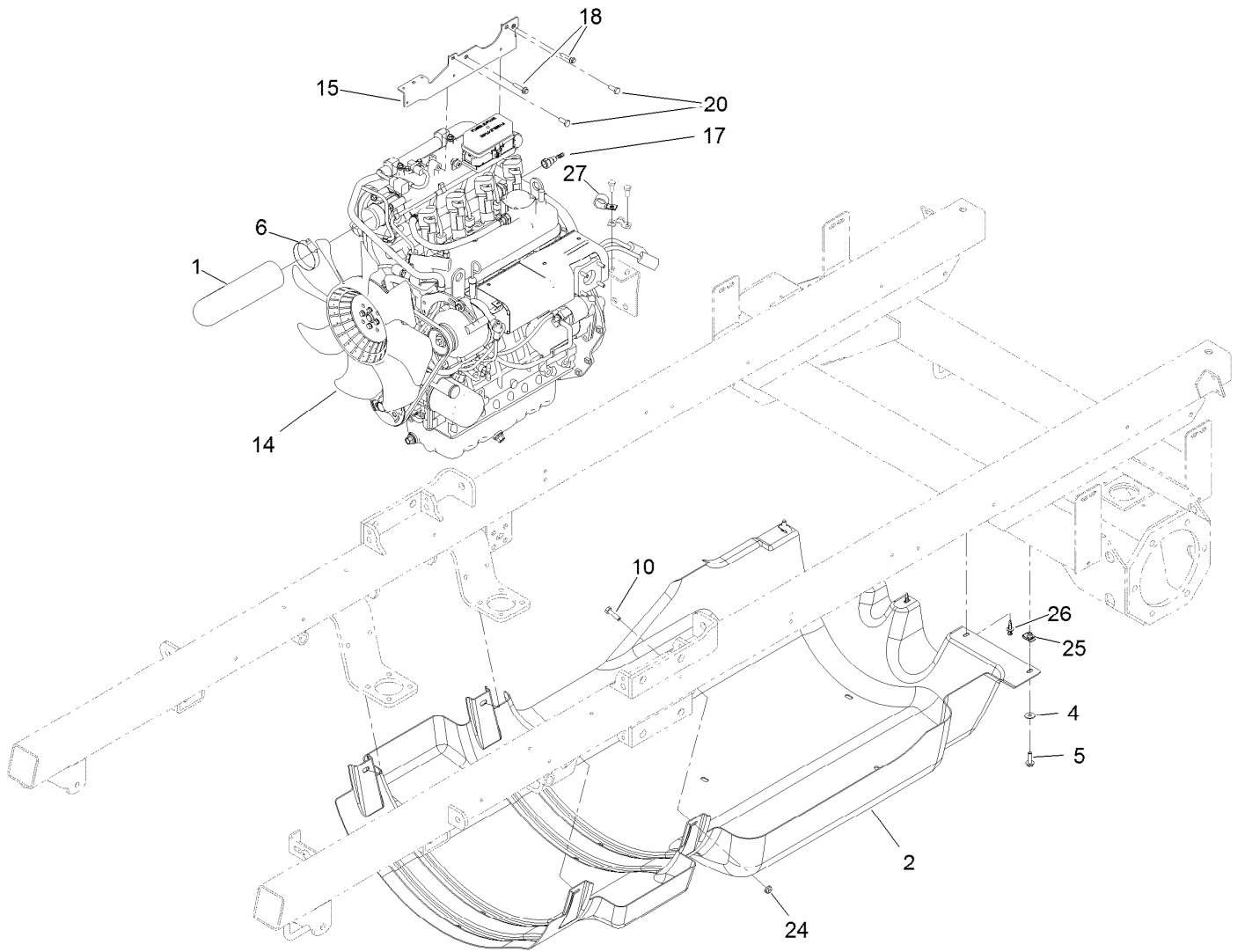
Muffler and Air Cleaner Assembly (continued)

<i>Ref.</i>	<i>Part Number</i>	<i>Qty.</i>	<i>Description</i>	<i>Ref.</i>	<i>Part Number</i>	<i>Qty.</i>	<i>Description</i>
47	110-3986	1	Screw	53	120-3832	2	Sensor-Oxygen
48	131-3319-03	1	Bracket-Mount, Air Intake	55	131-9600	1	Jacket-Upper, Header
49	47-3460	1	U-Bolt	56	131-9601	1	Jacket-Lower, Header
50	2412-102	1	Clamp-R	57	131-9598	1	Shield-Composite
51	104-8301	2	Nut-HF, NI	58	2412-110	1	Clamp-Band/Screw
52	3234-29	1	Screw-HHF				



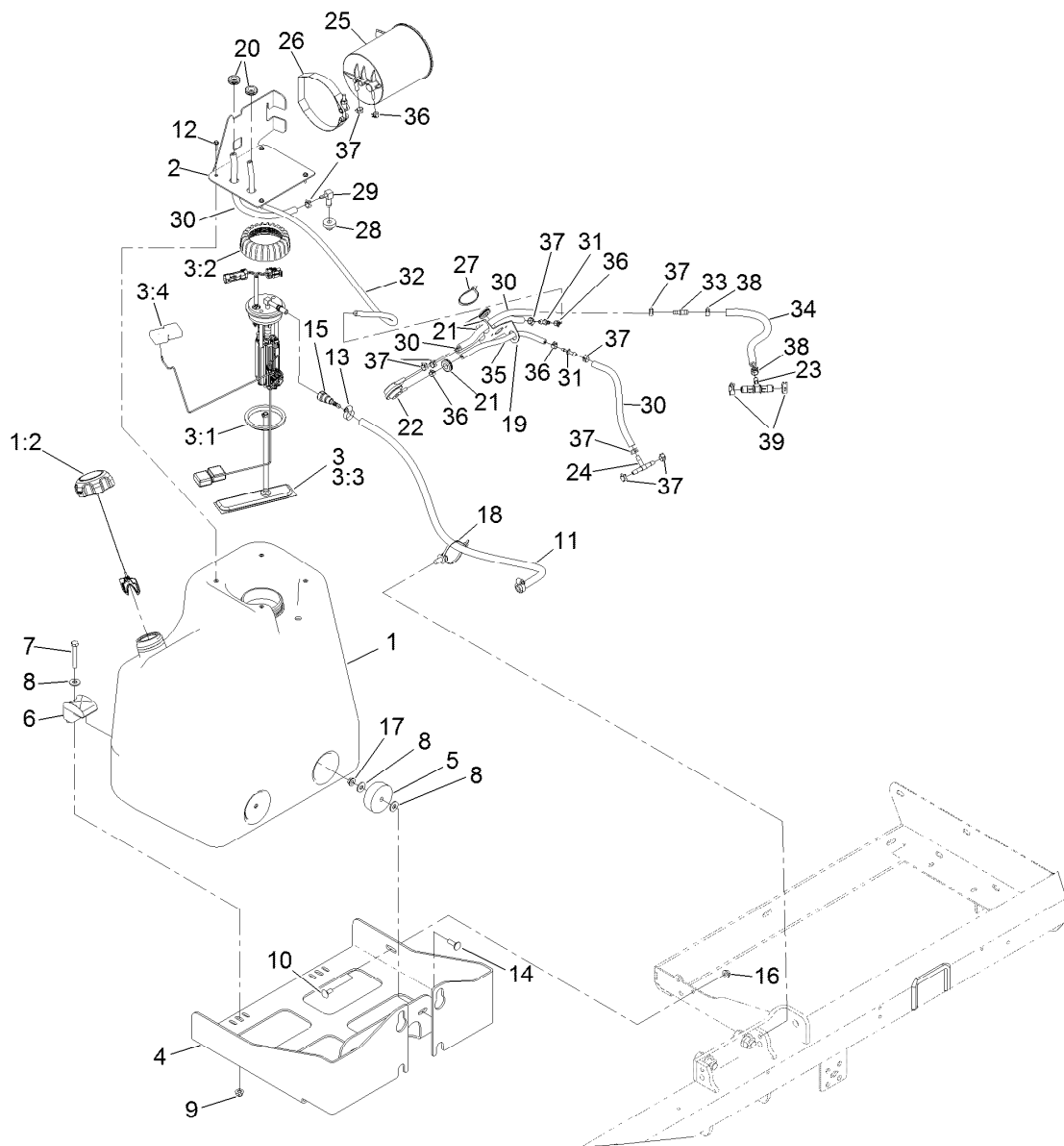
Air Cleaner Assembly No. 106-5277

<i>Ref.</i>	<i>Part Number</i>	<i>Qty.</i>	<i>Description</i>
2	108-3810	1	Filter-Air
3	98-9771	1	Cover ASM
4	87-9400	1	Valve-Vacuator
5	285-17	1	Plug-Pipe



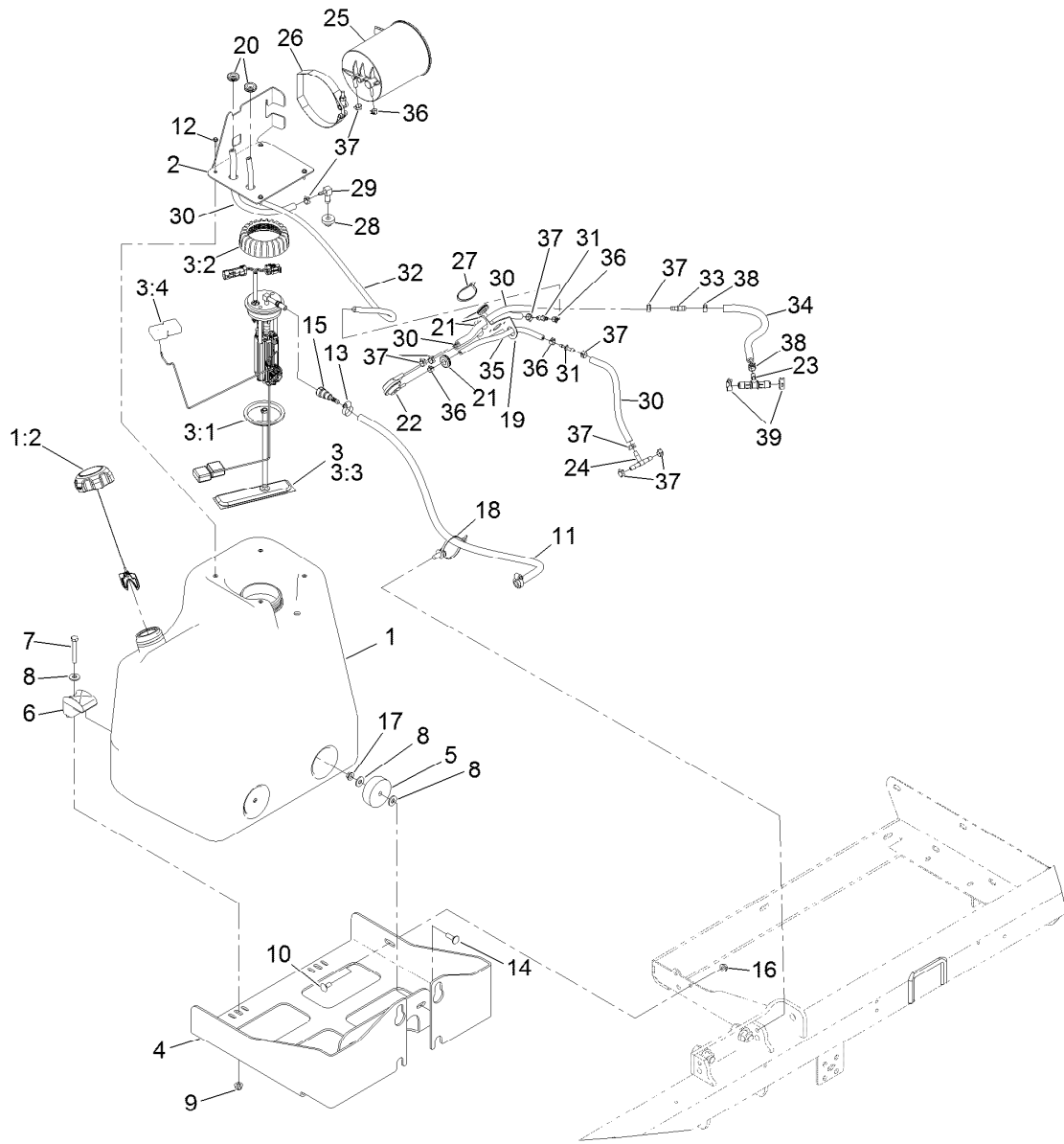
Engine and Shroud Assembly

Ref.	Part Number	Qty.	Description
1	120-3841	1	Hose-Cleaner, Air
2	130-7177	1	Shroud-Undercarriage
4	3256-3	2	Washer-Flat
5	3234-29	2	Screw-HHF
6	2412-130	1	Clamp-Hose
10	322-6	1	Screw-HH
14	138-9622	1	Engine-Kubota, Wg1605
15	137-4222-0P	1	Engine Bracket ASM - [primed]
17	125-2921	1	Fitting-Fuel
18	3234-21	2	Screw-HHF
20	33114-020	2	Screw-HH
24	32128-20	1	Nut-HF
25	94-2413	2	Nut-U
26	125-9622	3	Rivet-Blind
27	110-0824	1	R-Clamp



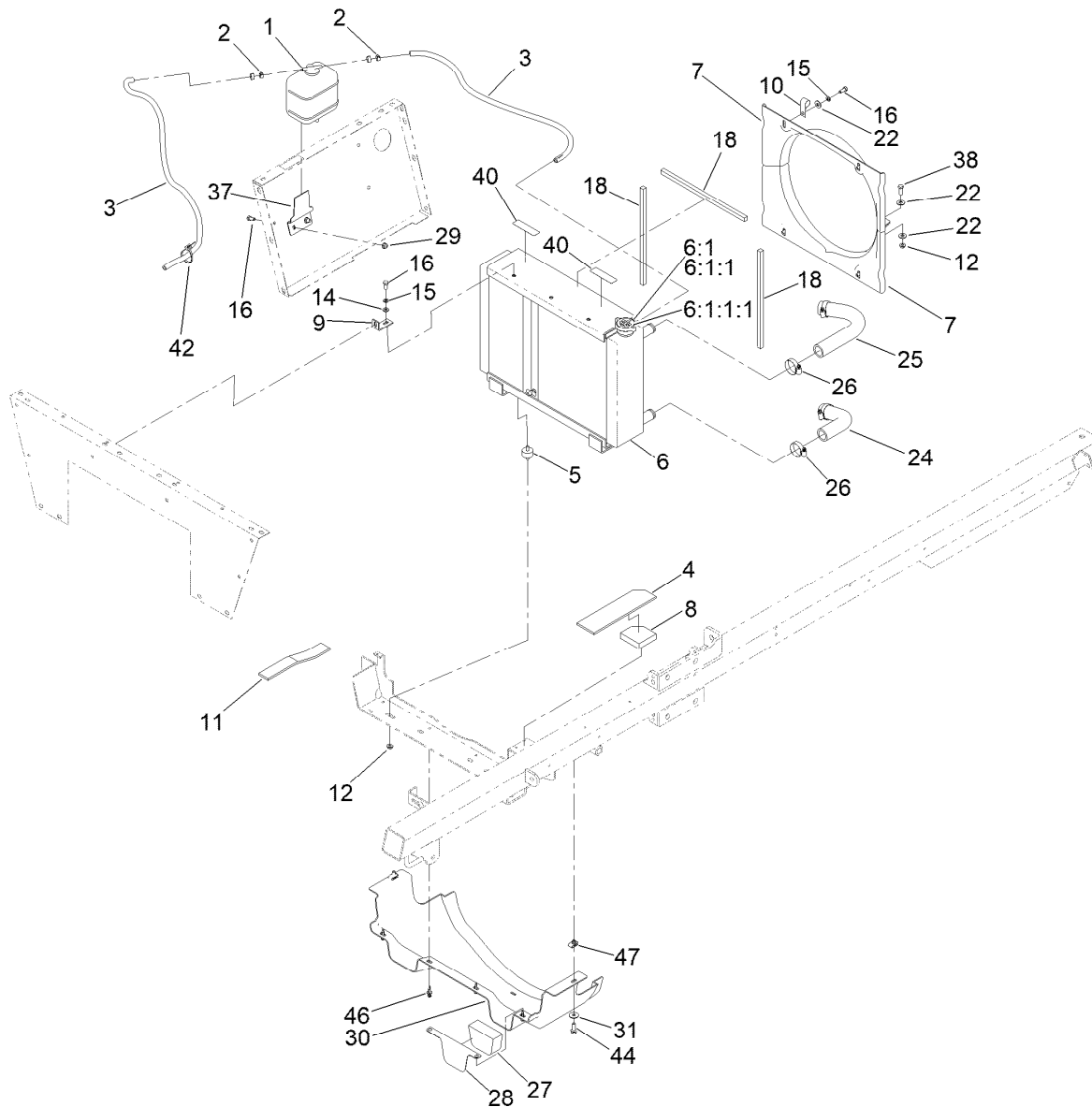
Fuel Tank Assembly

Ref.	Part Number	Qty.	Description	Ref.	Part Number	Qty.	Description
1	138-6267	1	Fuel Tank ASM	17	32128-25	2	Nut-HF
1:2	137-4127	1	Cap-Fuel	18	32180-031	1	Clip-Tree (W/Tie)
2	138-8268-03	1	Bracket-Canister	19	138-8269	1	Bracket-Valve
3	121-5641	1	Pump-Fuel	20	MSC14544	2	Grommet
3:1	115-2163	1	Gasket-Pump, Fuel	21	112-9559	4	Grommet
3:2	115-2162	1	Cap-Pump, Fuel	22	116-2232	1	Valve-Control, Vacuum
3:3	125-2902	1	Filter-Fuel	23	138-6282	1	Fitting-Tee
3:4	120-4812	1	Float	24	99-5005	1	Fitting-Tee, Barbed
4	131-9550-03	1	Bracket-Tank, Fuel Tank	25	116-1442	1	Canister-Carbon, 1200Cc
5	108-1605	2	Bumper-Recess	26	116-2228	1	Clamp, T-Bolt
6	107-4543	2	Clamp	27	3290-378	1	Tie-Cable
7	322-11	2	Screw-HH	28	46-6560	1	Bushing
8	3256-3	6	Washer-Flat	29	104-5228	1	Fitting-Elbow, 90 DEG
9	104-8300	2	Nut-HF, NI	30	109-0294	4	Hose-Fuel
10	3230-1	1	Bolt-CARR	31	106-8150	2	Fitting-Straight
11	121-6321	1	Hose-Fuel	32	119-6074	1	Hose-Fuel
12	98-1375	4	Screw-HWH	33	103-2595	1	Connector
13	2412-36	2	Clamp-Hose	34	130-9191	1	Hose-Fuel
14	3230-2	2	Bolt-CARR	35	121-3003	1	Hose-Fuel
15	125-2921	1	Fitting-Fuel	36	2412-80	4	Clamp-Hose
16	32128-20	1	Nut-HF	37	2412-98	10	Clamp-Hose



Fuel Tank Assembly (continued)

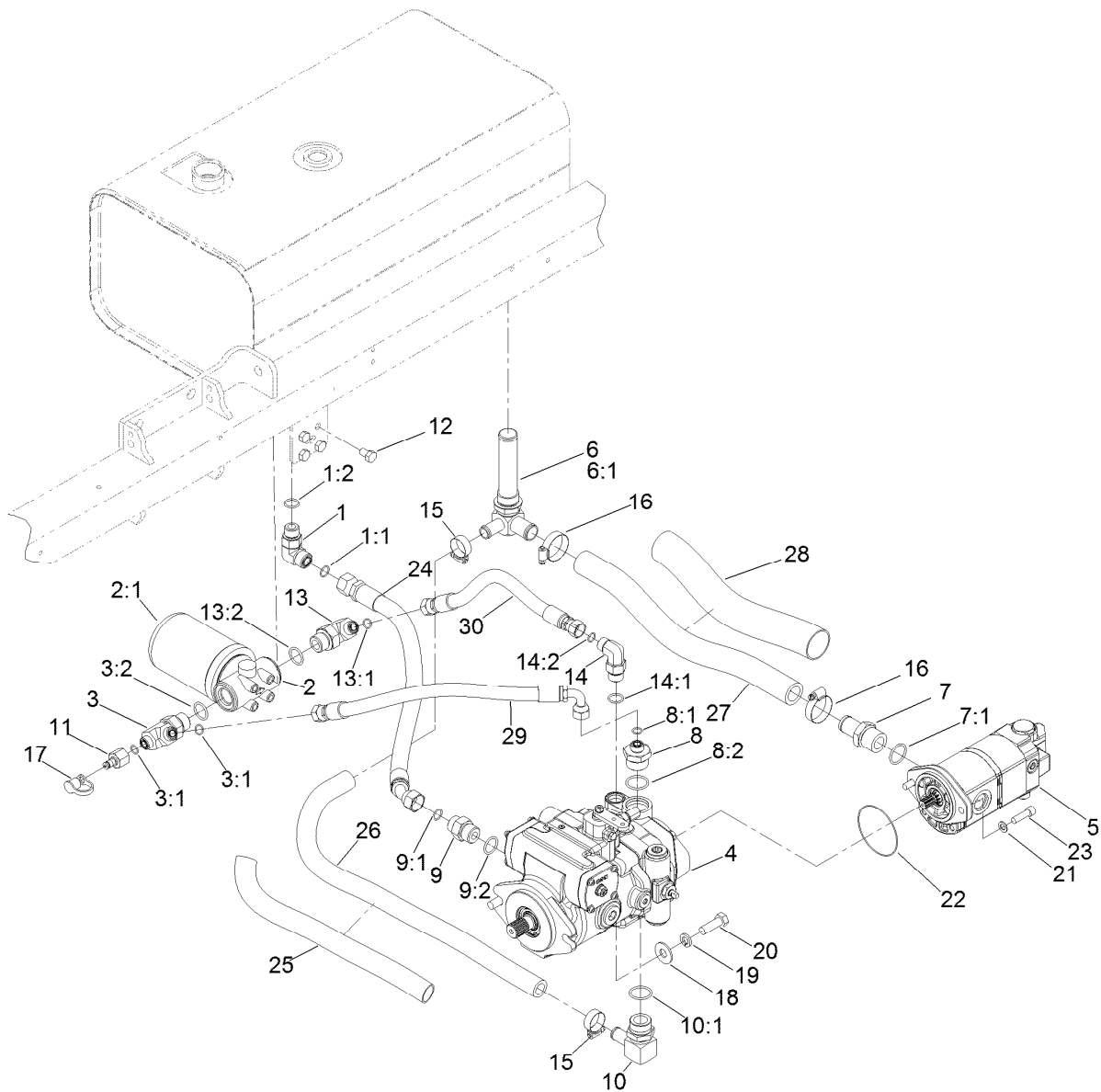
<i>Ref.</i>	<i>Part Number</i>	<i>Qty.</i>	<i>Description</i>
38	92-2379	2	Clamp-Hose
39	2412-143	2	Clamp-Hose



Radiator Assembly

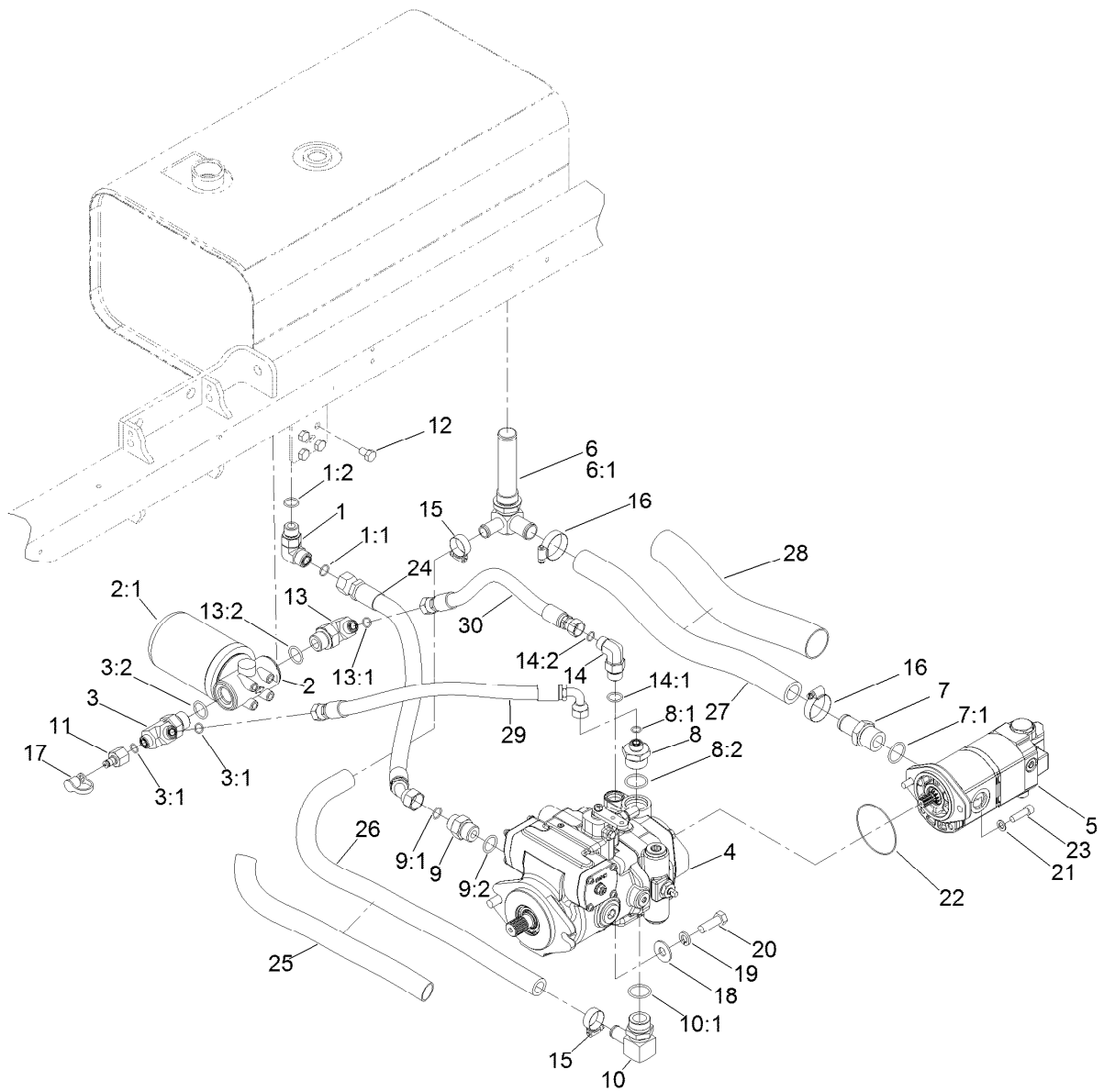
Ref.	Part Number	Qty.	Description	Ref.	Part Number	Qty.	Description
1	108-0638	1	Bottle-Overflow	15	3253-4	6	Washer-Lock
2	92-2379	3	Clamp-Hose	16	322-3	4	Screw-HH
3	109-0309	2	Hose-Fuel	18	144-6189	2	Strip-Foam, Radiator Side
4	144-6167	1	Baffle-Foam, Radiator Upper	22	3256-56	8	Washer-Flat
5	62-5480	2	Isolator-Seat	24	119-4992	1	Hose-Radiator
6	140-7344	1	Radiator/Oil Cooler ASM	25	106-5239	1	Hose-Radiator, Upper
6:1	119-1430	1	Radiator Cap ASM	26	2412-111	4	Clamp-Hose, W/Liner
6:1:1		1	Cap-Radiator ●	27	144-6165	1	Baffle-Foam, Heat Shield
6:1:1:1	117-3276	1	Decal-Danger	28	144-6164-0P	1	Plate-Baffle
7	131-5779	2	Shroud-Fan	29	104-8300	2	Nut-HF, NI
8	144-6166	1	Baffle-Foam, Radiator Lower	30	119-9393	1	Shield-Front Heat, Engine
9	140-7352	2	Bracket-Radiator	31	3256-82	2	Washer-Flat
10	2412-150	1	Clip-J	37	130-7102-0P	1	Bracket-Reservoir
11	144-6169	1	Baffle-Foam, Radiator Upper LH	38	322-5	2	Screw-HH
12	32128-20	4	Nut-HF	40	120-0627	2	Decal-Warning
14	3256-23	2	Washer-Plain	42	3290-378	1	Tie-Cable
				46	125-9622	4	Rivet-Blind
				47	115-7721	2	Nut-Clip, U

● Not serviced separately



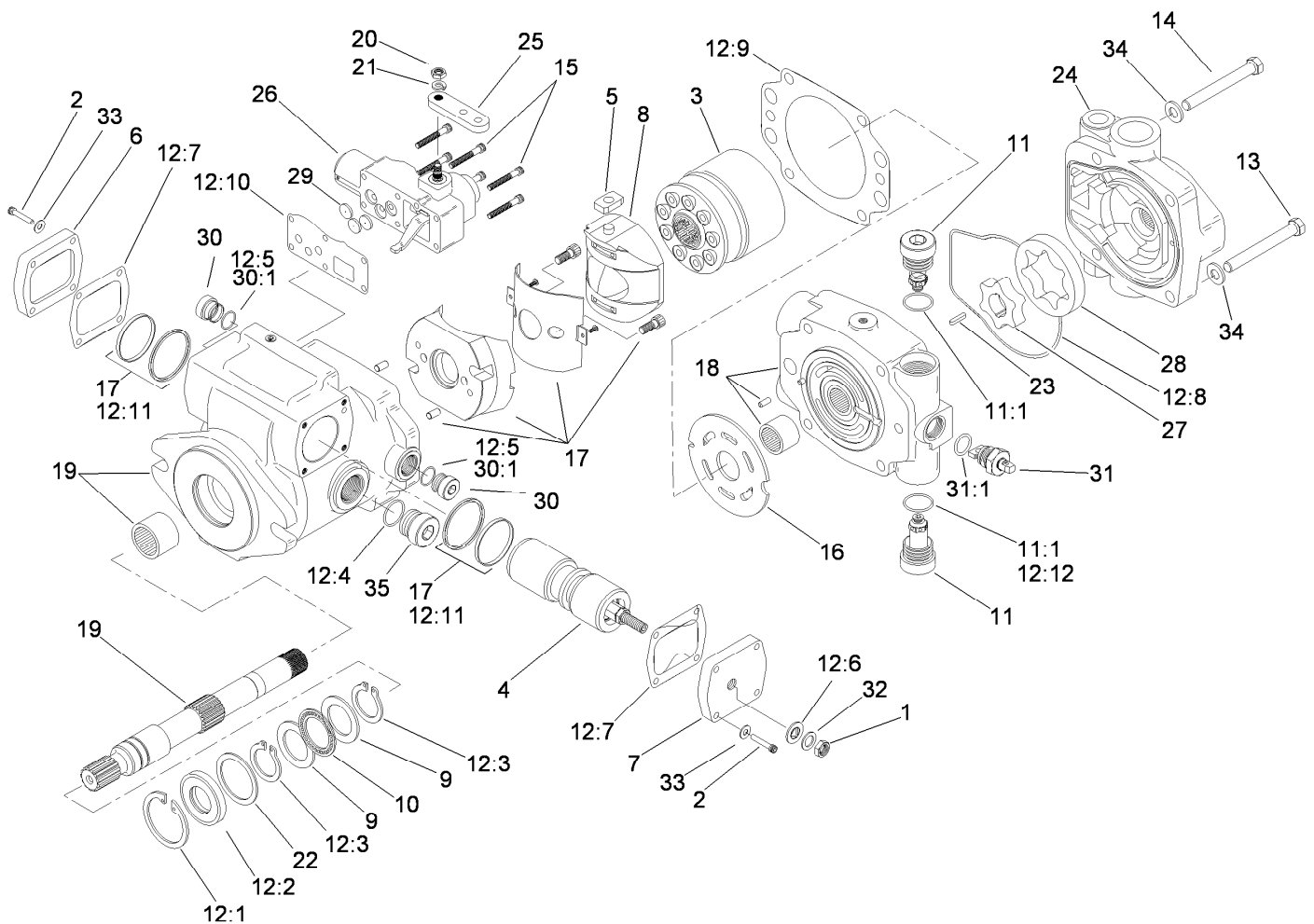
Hydraulic Pump and Filter Assembly

Ref.	Part Number	Qty.	Description	Ref.	Part Number	Qty.	Description
1	340-17	1	Fitting-Elbow, 90 DEG	10:1	237-117	1	O-Ring
1:1	237-65	1	O-Ring	11	100-5616	1	Fitting
1:2	237-80	1	O-Ring	12	33115-016	4	Screw-HH
2	93-2242	1	Oil Filter ASM	13	340-131	1	Fitting-HYD, 90 DEG
2:1	75-1310	1	Filter-HYD	13:1	237-30	1	O-Ring
3	117-0676	1	Fitting-Tee	13:2	237-81	1	O-Ring
3:1	237-30	2	O-Ring	14	340-105	1	Fitting-Elbow, 90 DEG
3:2	237-81	1	O-Ring	14:1	237-80	1	O-Ring
4	117-0685	1	Piston Pump ASM	14:2	237-30	1	O-Ring
5	138-6193	1	Pump-Tandem	15	2412-129	2	Clamp-Hose
6	117-0684	1	Strainer-Tee	16	2412-111	2	Clamp-Hose, W/Liner
6:1	237-146	1	O-Ring	17	354-79	1	Cap-Dust
7	354-78	1	Fitting-STR	18	3256-6	2	Washer-Flat
7:1	237-146	1	O-Ring	19	3253-7	2	Washer-Lock
8	104-9178	1	Fitting-STR	20	325-6	2	Screw-HH
8:1	237-30	1	O-Ring	21	60-3540	2	Washer
8:2	237-146	1	O-Ring	22	60-3520	1	O-Ring
9	340-8	1	Fitting-Straight	23	3274-1	2	Screw-HSH
9:1	237-65	1	O-Ring	24	112-2561	1	Hose-HYD
9:2	237-81	1	O-Ring	25	94-3688	1	Sleeve-Protective
10	98-0971	1	Fitting-Elbow, 90	26	119-5045	1	Hose-Suction



Hydraulic Pump and Filter Assembly (continued)

<i>Ref.</i>	<i>Part Number</i>	<i>Qty.</i>	<i>Description</i>	<i>Ref.</i>	<i>Part Number</i>	<i>Qty.</i>	<i>Description</i>
27	117-0681	1	Hose ASM	29	117-0686	1	Hose-HYD
28	107-3589	1	Sleeve-Hose	30	117-0729	1	Hose ASM

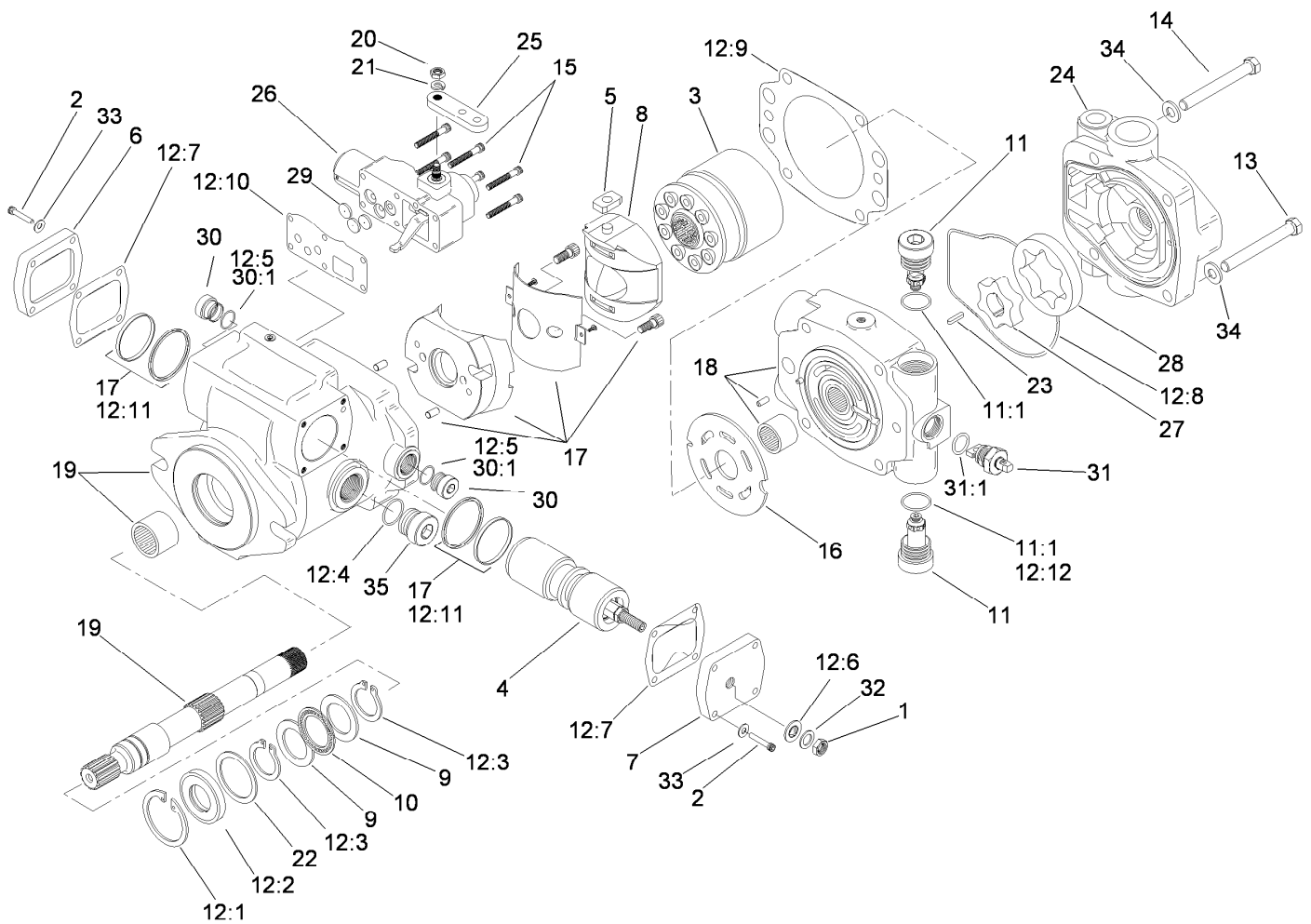


Piston Pump Assembly No. 117-0685

Ref.	Part Number	Qty.	Description	Ref.	Part Number	Qty.	Description
1	3220-3	1	Nut-HJ	12:6	94-3027	1	Washer-Seal
2	93-6337	8	Screw	12:7	93-6339	2	Gasket
3	99-8701	1	Rotating Kit	12:8	105-2905	1	O-Ring ●
4	105-2856	1	Piston-Servo	12:9	105-2900	1	Gasket-Housing
5	94-3032	1	Follower-Piston	12:10	105-2901	1	Gasket-Housing, Control
6	94-3033	1	Plate-Cover	12:11		2	Seal ASM ■
7	105-9853	1	Plate-Cover	12:12	74-9380	1	O-Ring ●
8	94-3026	1	Camplate ASM	13	323-15	2	Screw-HH
9	76-6950	2	Race-Thrust	14	323-16	2	Screw-HH
10	76-6960	1	Bearing-Thrust	15	93-6324	6	Screw
11	105-2858	2	Valve-Relief	16	99-8704	1	Plate-Valve
11:1		1	O-Ring ■	17		1	Housing ■
12	107-1561	1	Seal Kit ●	18	105-2904	1	Backplate
12:1	60-6260	1	Ring	19	93-6344	1	Driveshaft
12:2	105-3331	1	Seal-Shaft	20	3217-5	1	Nut-Hex
12:3	76-7000	2	Ring-Retaining	21	3253-3	1	Washer-Lock
12:4		2	O-Ring ■	22	60-6240	1	Washer
12:5	93-6314	2	O-Ring ●	23	93-6375	1	Key

● Not illustrated

■ Not serviced separately

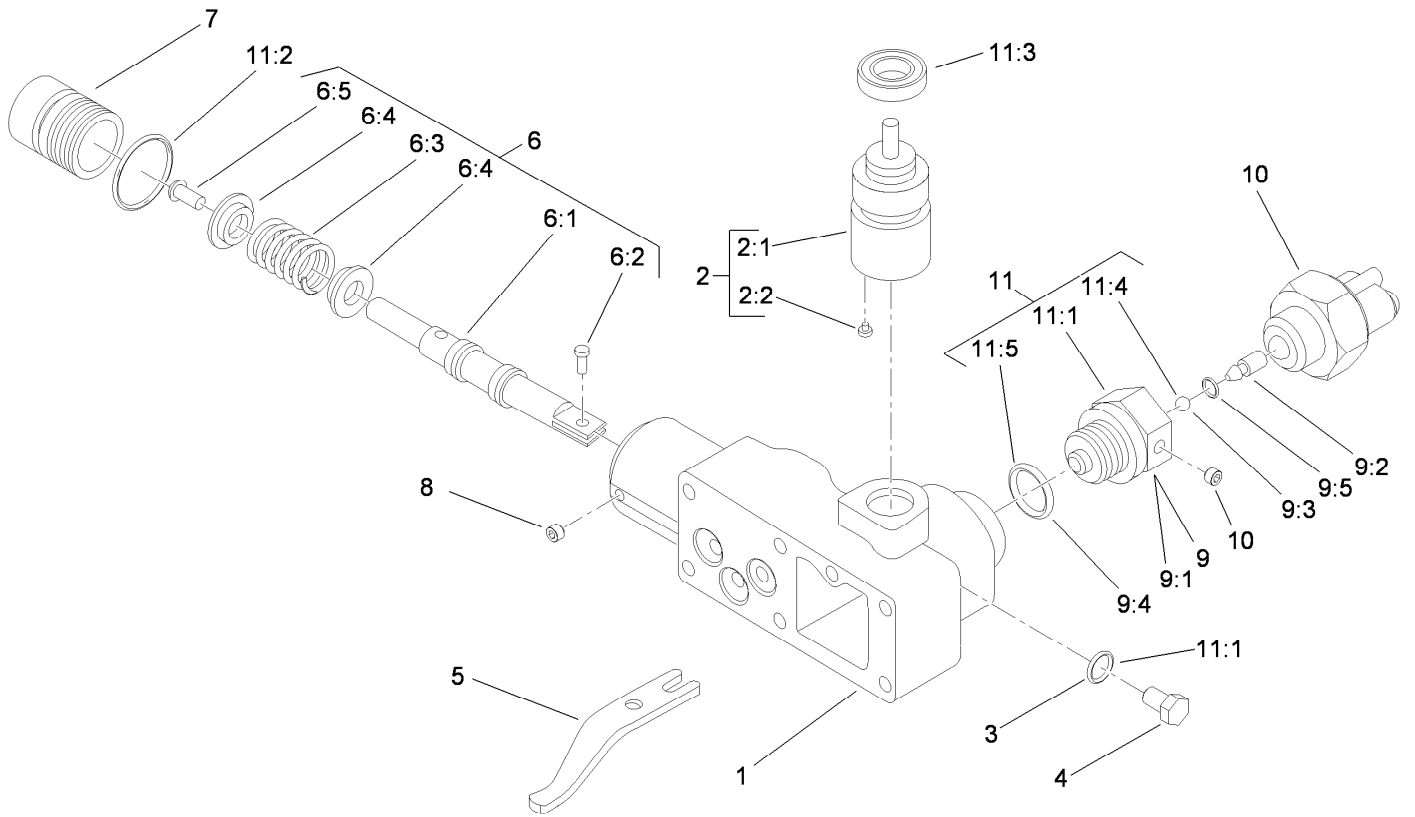


Piston Pump Assembly No. 117-0685 (continued)

Ref.	Part Number	Qty.	Description	Ref.	Part Number	Qty.	Description
24	95-2110	1	Adaptor	30:1		1	O-Ring ■
25	105-2862	1	Arm-Control	31	105-2913	1	Valve-Bypass
26	115-4446	1	Control-Servo, Manual	31:1		1	O-Ring ■
27	93-6365	1	Geroter-Inner	32	94-3030	1	Washer
28	93-6364	1	Geroter-Outer	33	93-6336	8	Washer
29	94-3041	3	Orifice-Control (.028 DIA)	34	3256-24	4	Washer-Flat
30	74-9280	2	Plug ASM	35		1	Plug ASM ■

● Not illustrated

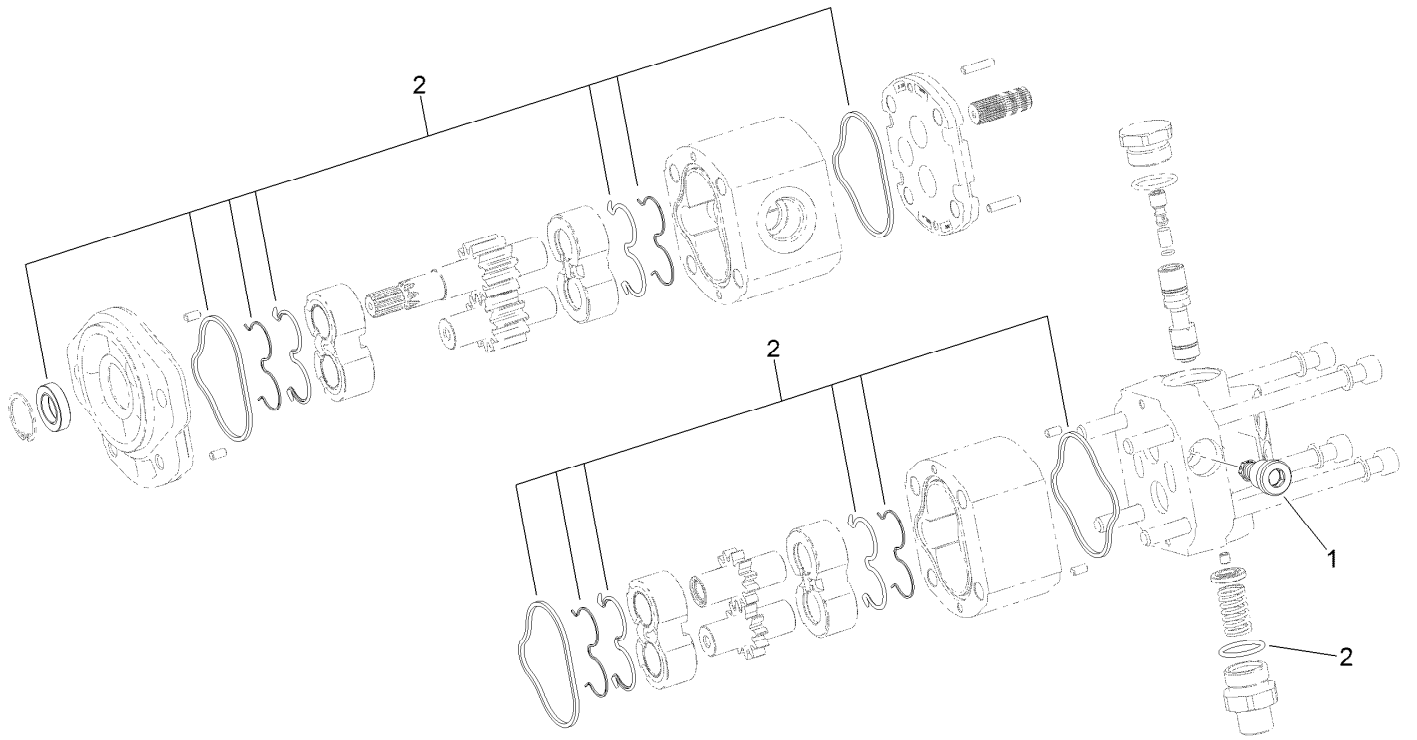
■ Not serviced separately



Control Assembly No. 115-4446

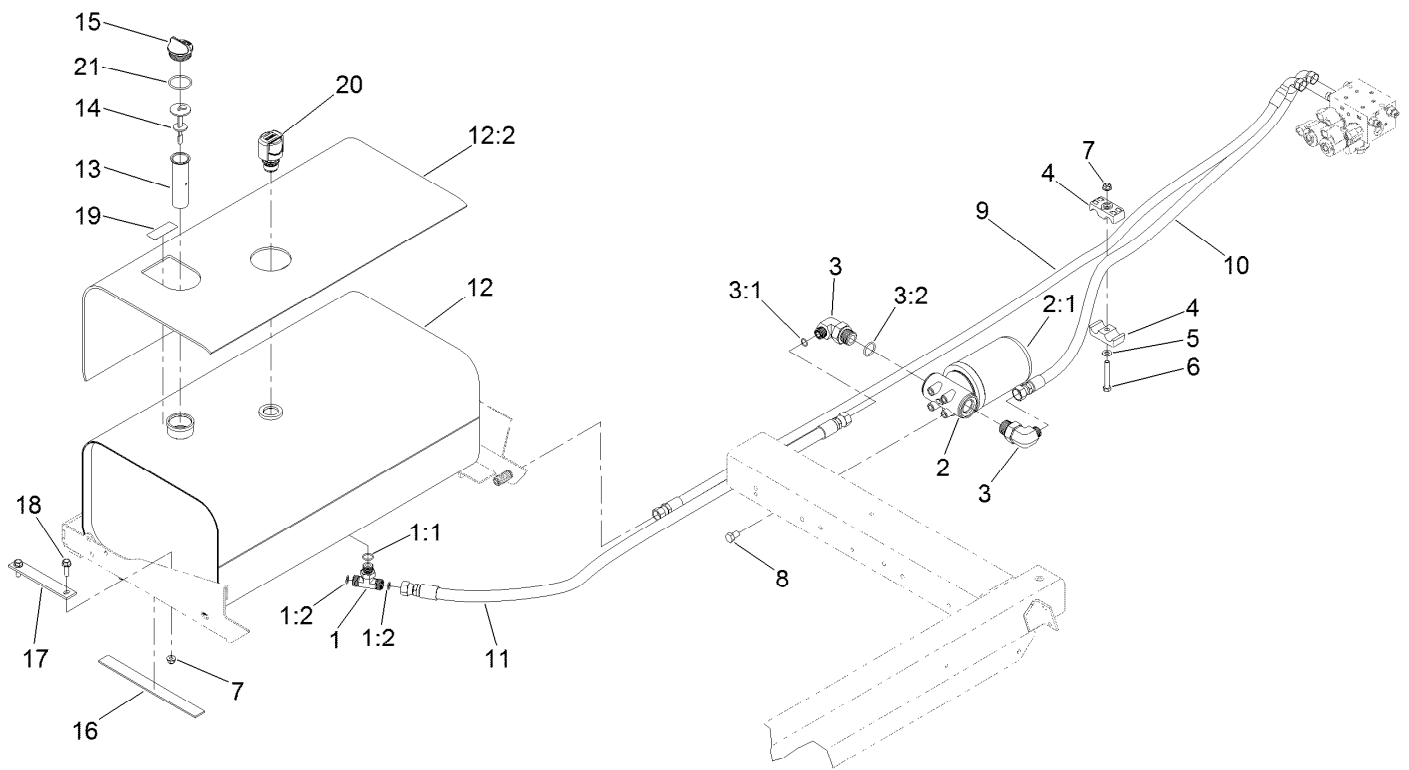
Ref.	Part Number	Qty.	Description	Ref.	Part Number	Qty.	Description
1		1	Housing-Control ●	8		2	Screw-Set ●
2	108-7099	1	Input Control Shaft ASM	9	108-8003	1	Adaptor ASM
2:1		1	Shaft ●	9:1		1	Adaptor-Lockout, Neutral ●
2:2		1	Pin ●	9:2		1	Pin ●
3		1	O-Ring ●	9:3		1	Ball ●
4		1	Plug ●	9:4		1	O-Ring ●
5		1	Link-Feedback ●	9:5		1	O-Ring ●
6	108-7098	1	Valve Spool ASM	10	115-3795	1	Switch-Neutral
6:1		1	Valve-Spool ●	11	94-3044	1	Seal Kit
6:2		1	Pin-Dowel ●	11:1	117-8979	1	Seal-Shaft
6:3		1	Spring ●	11:2	105-2901	1	Gasket-Housing, Control
6:4		2	Retainer ●	11:3		1	O-Ring ●
6:5		1	Screw ●	11:4		1	O-Ring ●
7		1	Plug ●	11:5		1	Seal-Wiper ●

● Not serviced separately



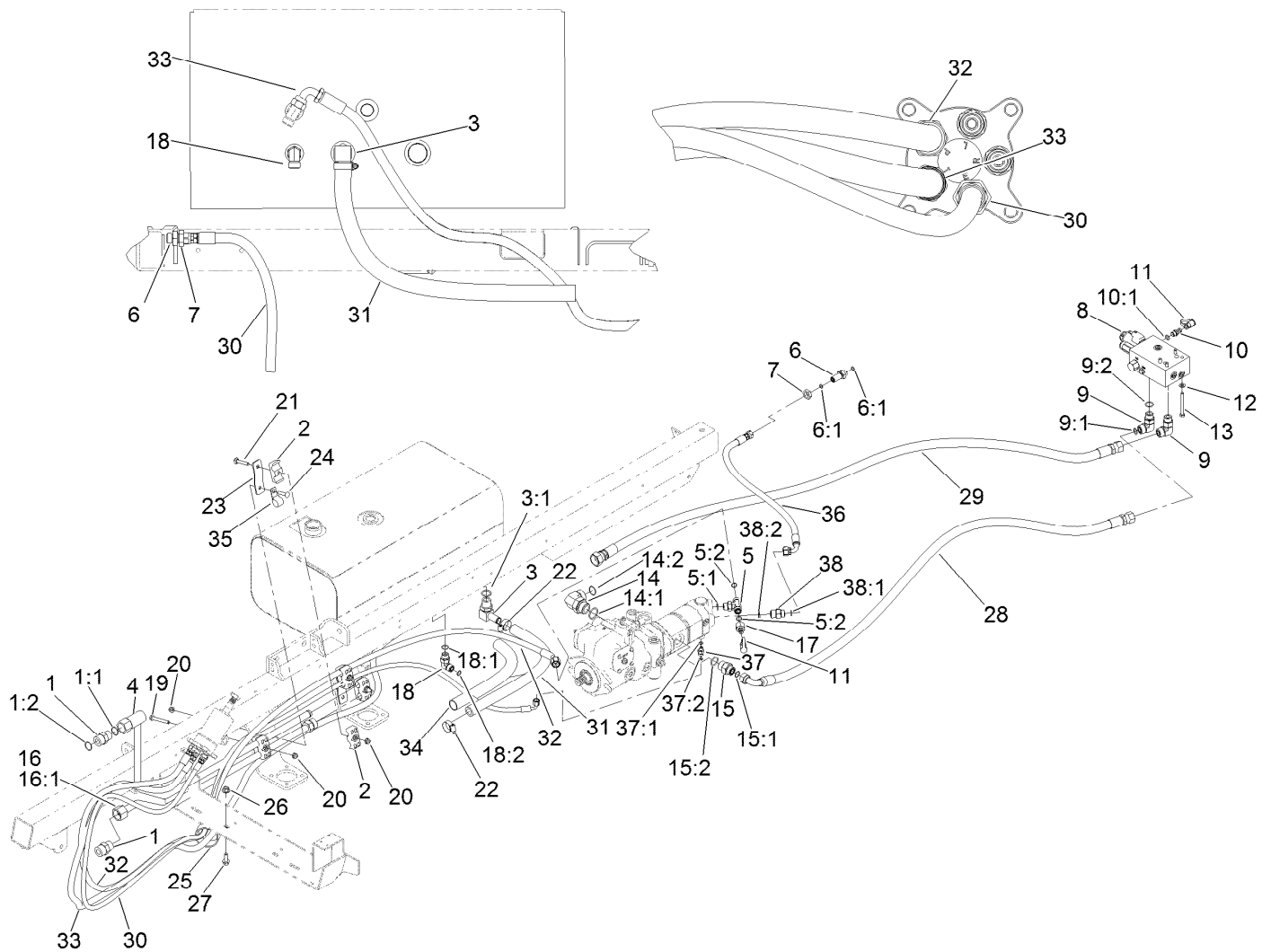
Tandem Pump Assembly No. 138-6193

<i>Ref.</i>	<i>Part Number</i>	<i>Qty.</i>	<i>Description</i>
1	138-6257	1	Valve-Relief
2	138-6258	1	Seal Kit



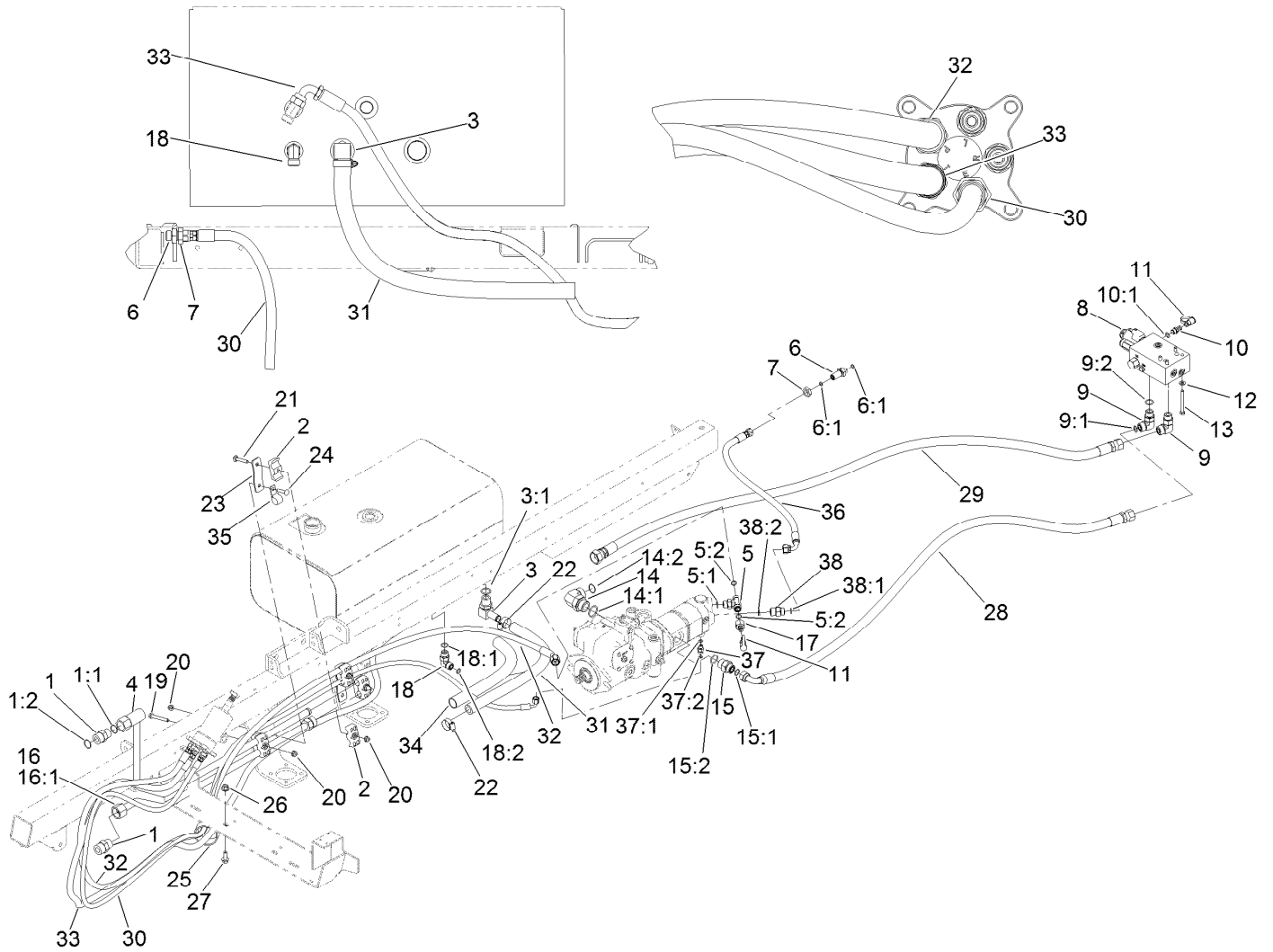
Hydraulic Tank Assembly

<i>Ref.</i>	<i>Part Number</i>	<i>Qty.</i>	<i>Description</i>	<i>Ref.</i>	<i>Part Number</i>	<i>Qty.</i>	<i>Description</i>
1	340-157	1	Fitting-HYD, Tee	10	119-0587	1	HYD Hose ASM
1:1	237-79	1	O-Ring	11	106-3672	1	HYD Hose ASM
1:2	237-30	2	O-Ring	12	131-5799	1	Hydraulic Tank ASM
2	93-2242	1	Oil Filter ASM	12:2	131-5787	1	Cover-Tank, Hydraulic
2:1	75-1310	1	Filter-HYD	13	92-1705	1	Filter-Screen
3	340-131	2	Fitting-HYD, 90 DEG	14	105-2812	1	Dipstick
3:1	237-30	1	O-Ring	15	93-7498	1	Plug-Plastic
3:2	237-81	1	O-Ring	16	41995	2	Strip-Armflex
4	94-8105	2	Clamp-Tube	17	94-7068	2	Strap
5	3256-23	1	Washer-Plain	18	3234-17	4	Screw-HHF
6	322-11	1	Screw-HH	19	93-6686	1	Decal-Oil, HYD
7	104-8300	5	Nut-HF, NI	20	115-9793	1	Breather
8	33115-016	4	Screw-HH	21	237-101	1	O-Ring
9	119-0588	1	HYD Hose ASM				



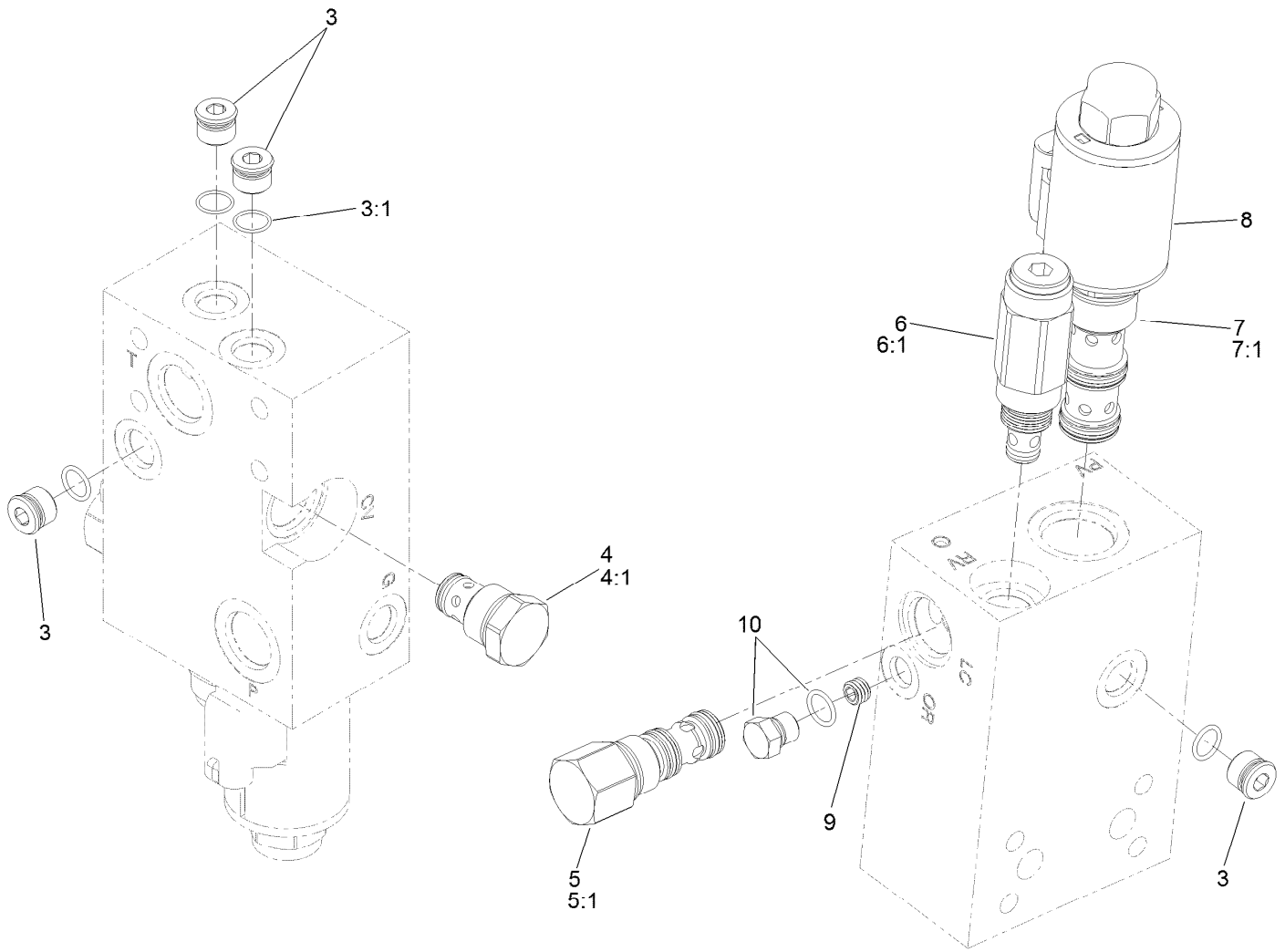
Hydraulic Tube and Hose Assembly

Ref.	Part Number	Qty.	Description	Ref.	Part Number	Qty.	Description
1	340-9	2	Fitting-STR	13	322-14	4	Screw-HH
1:1	237-58	1	O-Ring	14	340-129	2	Fitting-Elbow, 90 DEG
1:2	237-81	1	O-Ring	14:1	237-146	1	O-Ring
2	94-8105	8	Clamp-Tube	14:2	340-65	1	O-Ring
3	353-987	1	Fitting-Elbow, 90	15	340-8	1	Fitting-Straight
3:1	237-81	1	O-Ring	15:1	237-65	1	O-Ring
4	140-7356	1	HYD Tube ASM	15:2	237-81	1	O-Ring
5	340-157	1	Fitting-HYD, Tee	16	140-7345	1	HYD Tube, ASM
5:1	237-79	1	O-Ring	16:1	237-58	1	O-Ring
5:2	237-30	2	O-Ring	17	100-5616	1	Fitting
6	340-71	1	Fitting-Straight, Bulkhead	18	340-98	1	Fitting-Elbow, 90 DEG
6:1	237-22	2	O-Ring	18:1	237-79	1	O-Ring
7	340-70	1	Nut-Lock	18:2	237-30	1	O-Ring
8	117-0708	1	Pump Control Valve ASM	19	322-13	2	Screw-HH
9	340-17	2	Fitting-Elbow, 90 DEG	20	104-8300	5	Nut-HF, NI
9:1	237-65	1	O-Ring	21	3230-6	2	Bolt-CARR
9:2	237-80	1	O-Ring	22	2412-129	2	Clamp-Hose
10	59-7410	1	Fitting-Diagnostic	23	117-0689	2	Plate-Mount, Tube Clamps
10:1	237-42	1	O-Ring	24	33-5790	1	Bolt-CARR
11	354-79	2	Cap-Dust	25	2412-102	1	Clamp-R
12	3256-23	4	Washer-Plain	26	32128-43	1	Nut-Flange



Hydraulic Tube and Hose Assembly (continued)

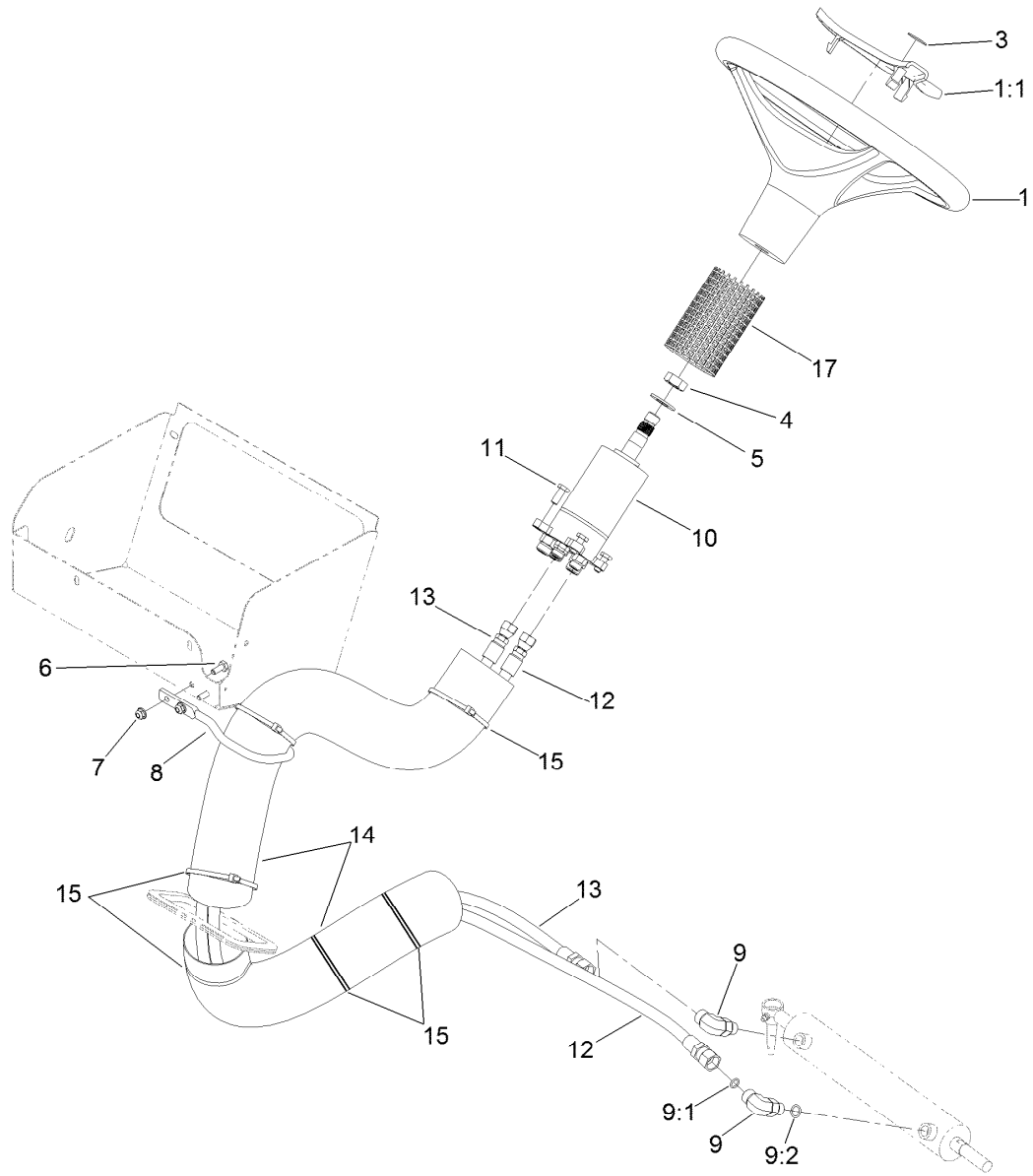
<i>Ref.</i>	<i>Part Number</i>	<i>Qty.</i>	<i>Description</i>	<i>Ref.</i>	<i>Part Number</i>	<i>Qty.</i>	<i>Description</i>
27	3234-11	1	Screw-HHF	35	94-9580	1	Clamp-J
28	117-0680	1	Hose ASM	36	138-6196	1	Hose ASM
29	117-0682	1	Hose ASM	37	340-92	1	Fitting-Straight
30	138-6265	1	Hose ASM	37:1	237-78	1	O-Ring
31	119-5045	1	Hose-Suction	37:2	237-21	1	O-Ring
32	138-6266	1	Hose-ASM	38	340-6	1	Fitting-Straight
33	125-5853	1	HYD-Hose	38:1	237-30	1	O-Ring
34	94-3688	1	Sleeve-Protective	38:2	237-80	1	O-Ring



Pump Control Valve Assembly No. 117-0708

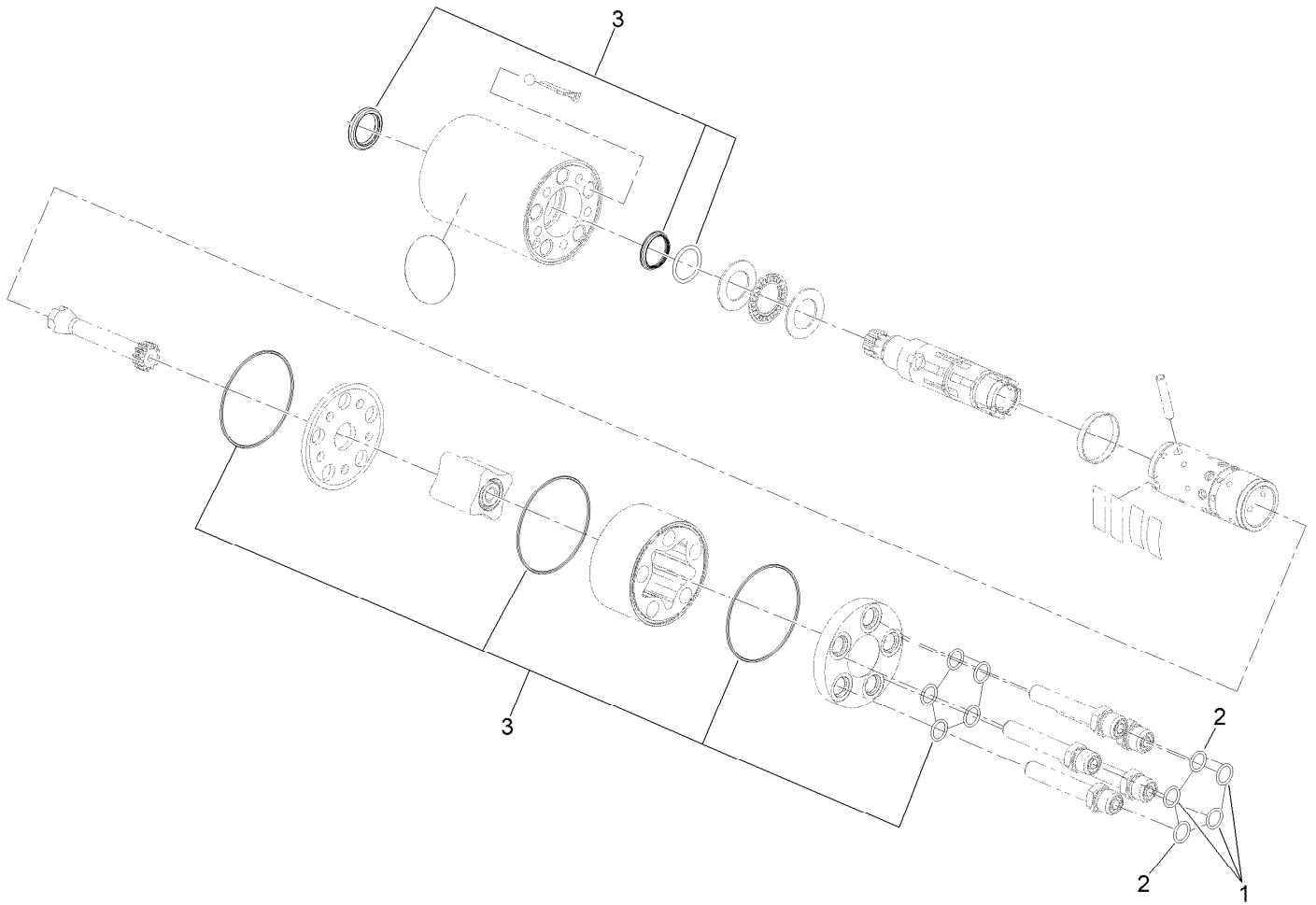
Ref.	Part Number	Qty.	Description
3	353-512	4	Plug
3:1	237-78	1	O-Ring
4	110-8881	1	Valve-Check
4:1	105-9159	1	Seal Kit ●
5	120-1660	1	Compensator-Pressure
5:1	107-7813	1	Seal Kit ●
6	117-8312	1	Valve-Relief
6:1	105-9156	1	Seal Kit
7	120-2590	1	Valve-Flow Control
7:1	114-5515	1	Seal Kit
8	120-2589	1	Coil-12Vdc
9	107-1987	1	Orifice-0.040
10	117-0115	1	Plug

● Not illustrated



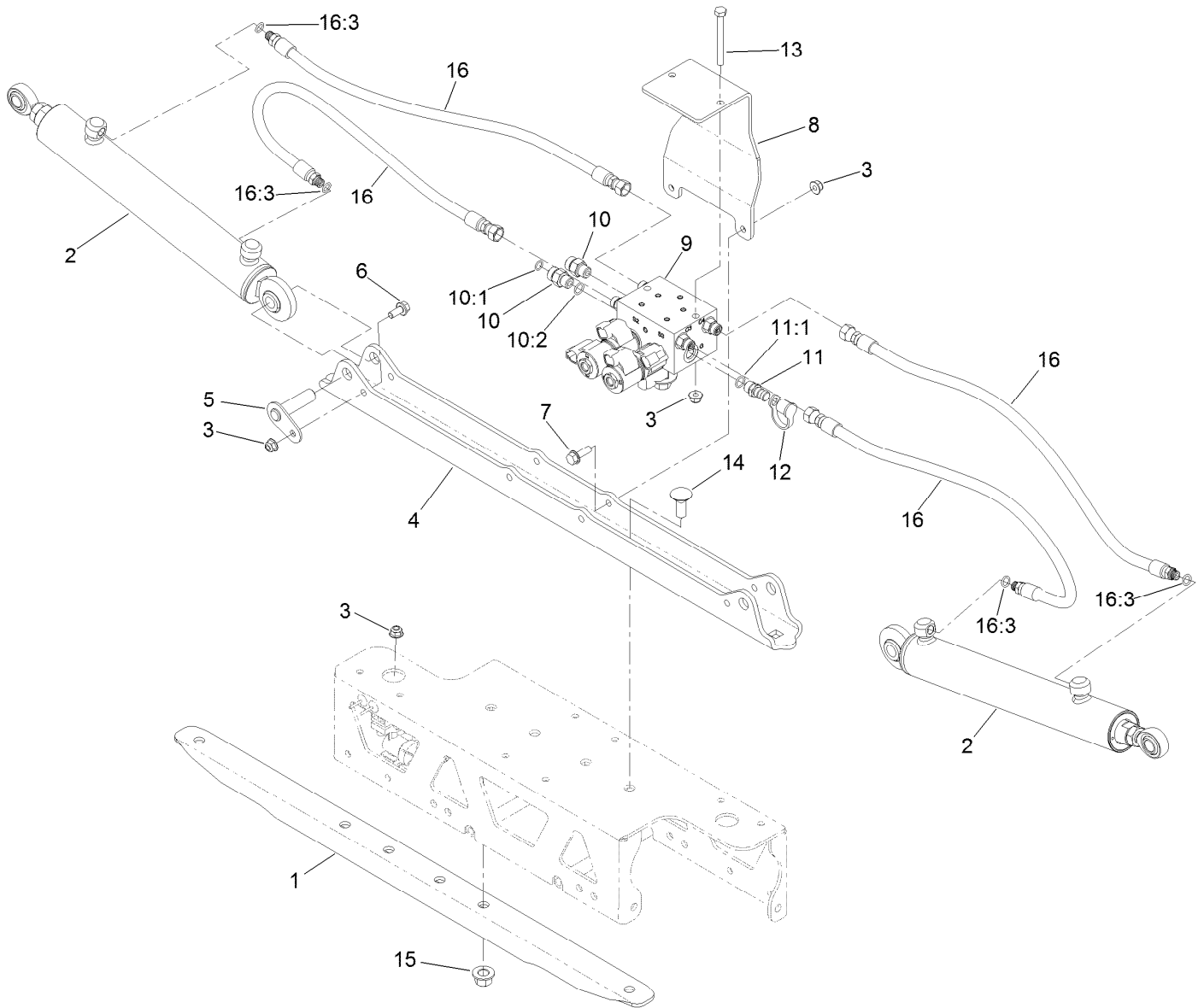
Steering Hydraulic Assembly

<i>Ref.</i>	<i>Part Number</i>	<i>Qty.</i>	<i>Description</i>	<i>Ref.</i>	<i>Part Number</i>	<i>Qty.</i>	<i>Description</i>
1	98-1471	1	Wheel-Steering	9:1	237-22	1	O-Ring
1:1	98-1468	1	Cover-Wheel, Steering	9:2	237-42	1	O-Ring
3	98-1459	1	Decal	10	137-7509	1	Valve-Steering
4	3296-33	1	Nut-Lock, NI	11	33114-020	4	Screw-HH
5	3256-27	1	Washer-Flat	12	117-0717	1	Hose ASM
6	321-3	2	Screw-HH	13	117-0688	1	Hose ASM
7	104-7201	2	Nut-HF, NI	14	106-6713	2	Cover-Lines, Steering
8	119-4853	1	Guide-Hose	15	3290-379	7	Tie-Cable
9	340-77	2	Fitting-Elbow, 90 DEG	17	130-8296	1	Sleeve-Steering Cover



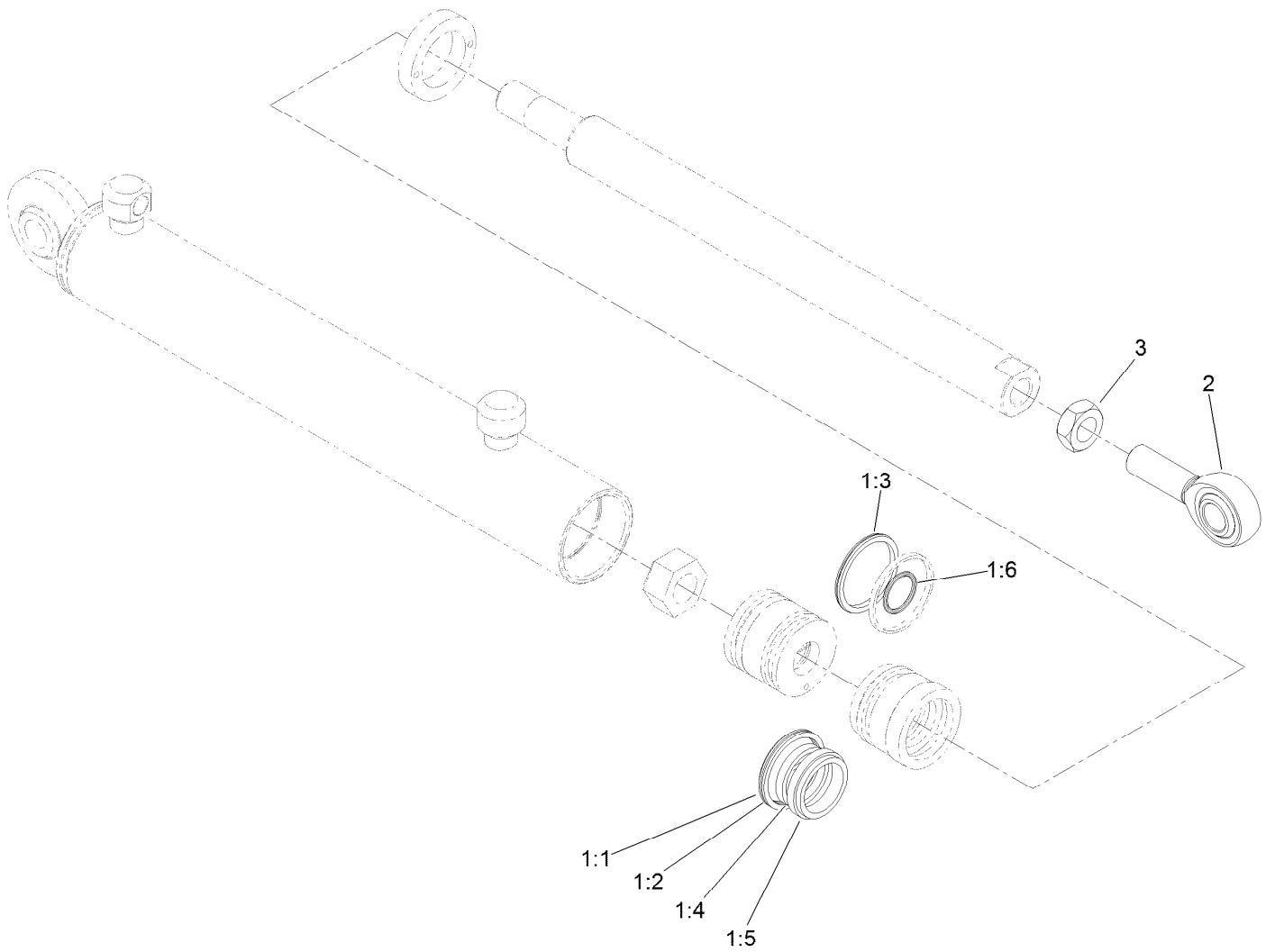
Steering Valve Assembly No. 137-7509

<i>Ref.</i>	<i>Part Number</i>	<i>Qty.</i>	<i>Description</i>
1	237-21	3	O-Ring
2	237-22	2	O-Ring
3	106-6716	1	Seal Kit



Boom Lift Assembly

<i>Ref.</i>	<i>Part Number</i>	<i>Qty.</i>	<i>Description</i>	<i>Ref.</i>	<i>Part Number</i>	<i>Qty.</i>	<i>Description</i>
1	131-0285-03	1	Stiffener-Channel	10:1	237-22	1	O-Ring
2	117-0701	2	Hydraulic Cylinder ASM	10:2	237-42	1	O-Ring
3	104-8300	7	Nut-HF, NI	11	59-7410	1	Fitting-Diagnostic
4	131-0275-03	1	Plate-Mount	11:1	237-42	1	O-Ring
5	112-7884	2	Pin-Pivot	12	354-79	1	Cap-Dust
6	110-5053	2	Screw-HHF	13	322-14	2	Screw-HH
7	3234-29	2	Screw-HHF	14	110-5067	4	Screw-CARR
8	130-8201-03	1	Mount-Valve	15	99-5107	4	Nut-Lock
9	136-2400	1	On-Off Boom Lift Valve ASM	16	131-0276	4	Hose ASM
10	340-2	2	Fitting-Straight	16:3	237-78	1	O-Ring

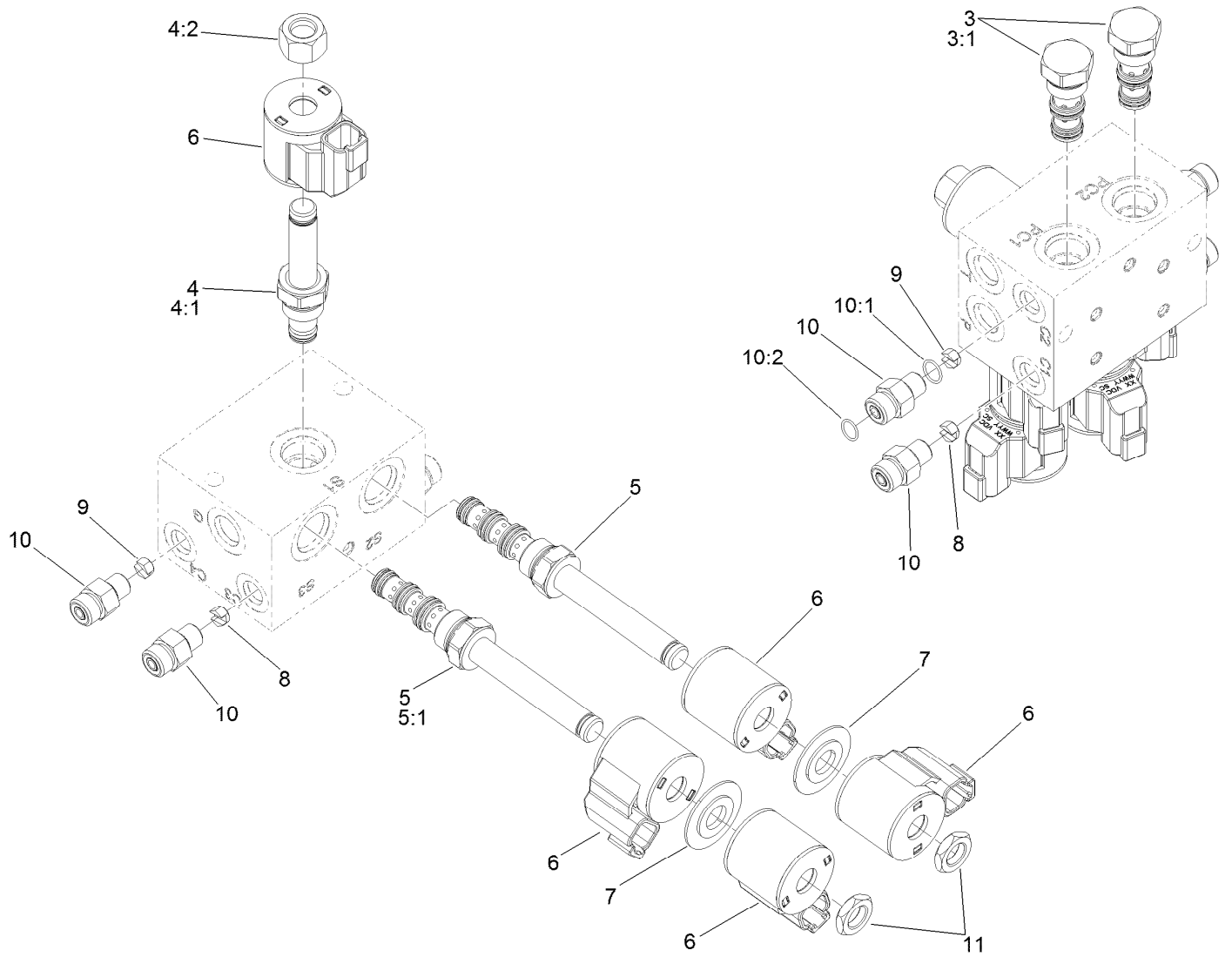


Hydraulic Cylinder Assembly No. 117-0701

Ref.	Part Number	Qty.	Description
1	119-8026	1	Seal Kit ●
1:1		1	O-Ring ■
1:2		1	Ring-Backup ■
1:3		1	Bp Seal ■
1:4		1	Bs Seal ■
1:5		1	Dust Seal ■
1:6		1	O-Ring ■
2	119-8027	1	Rod End
3	3220-6	1	Nut-Jam

● Not illustrated

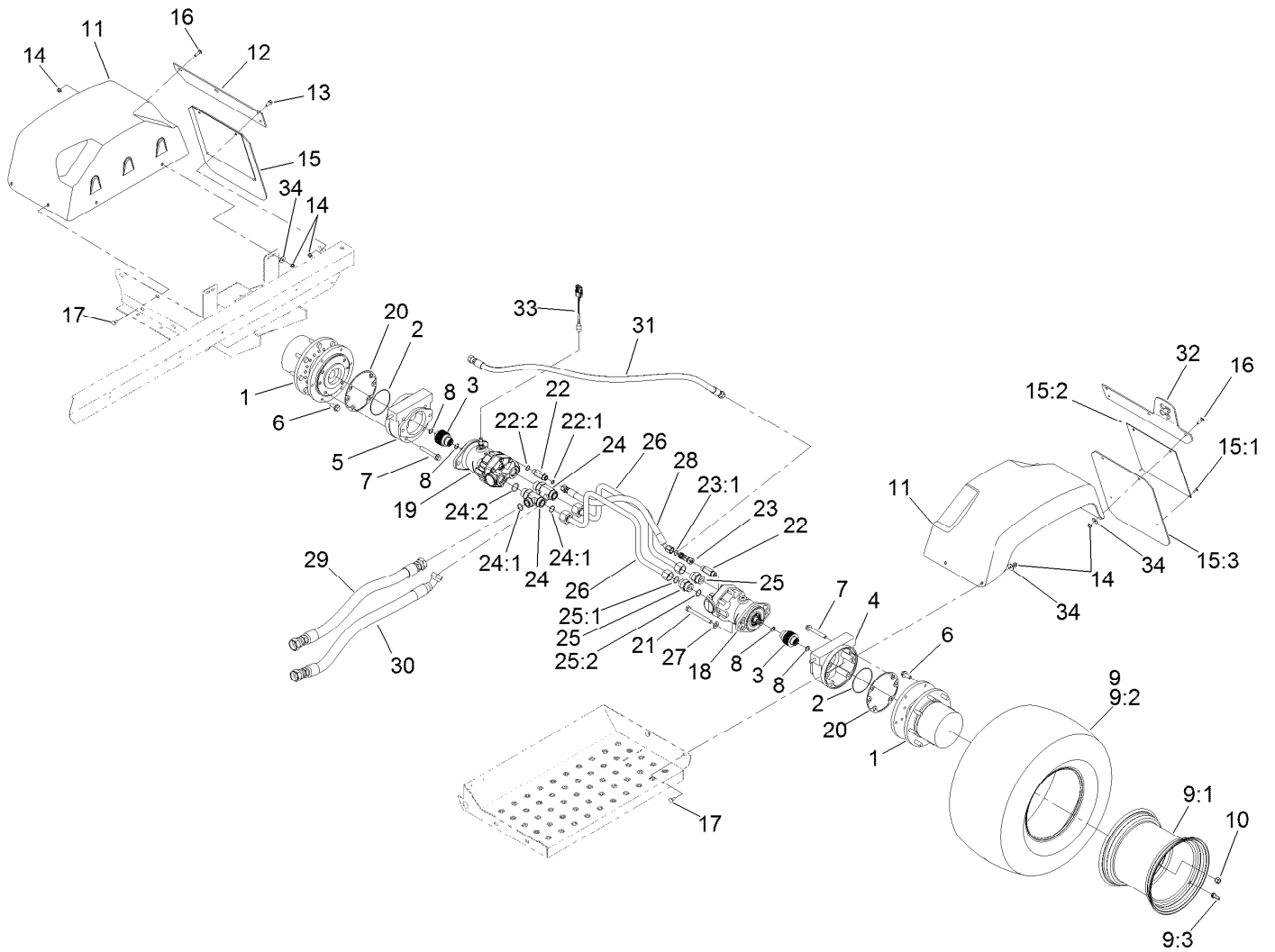
■ Not serviced separately



On-Off Boom Lift Valve Assembly No. 136-2400

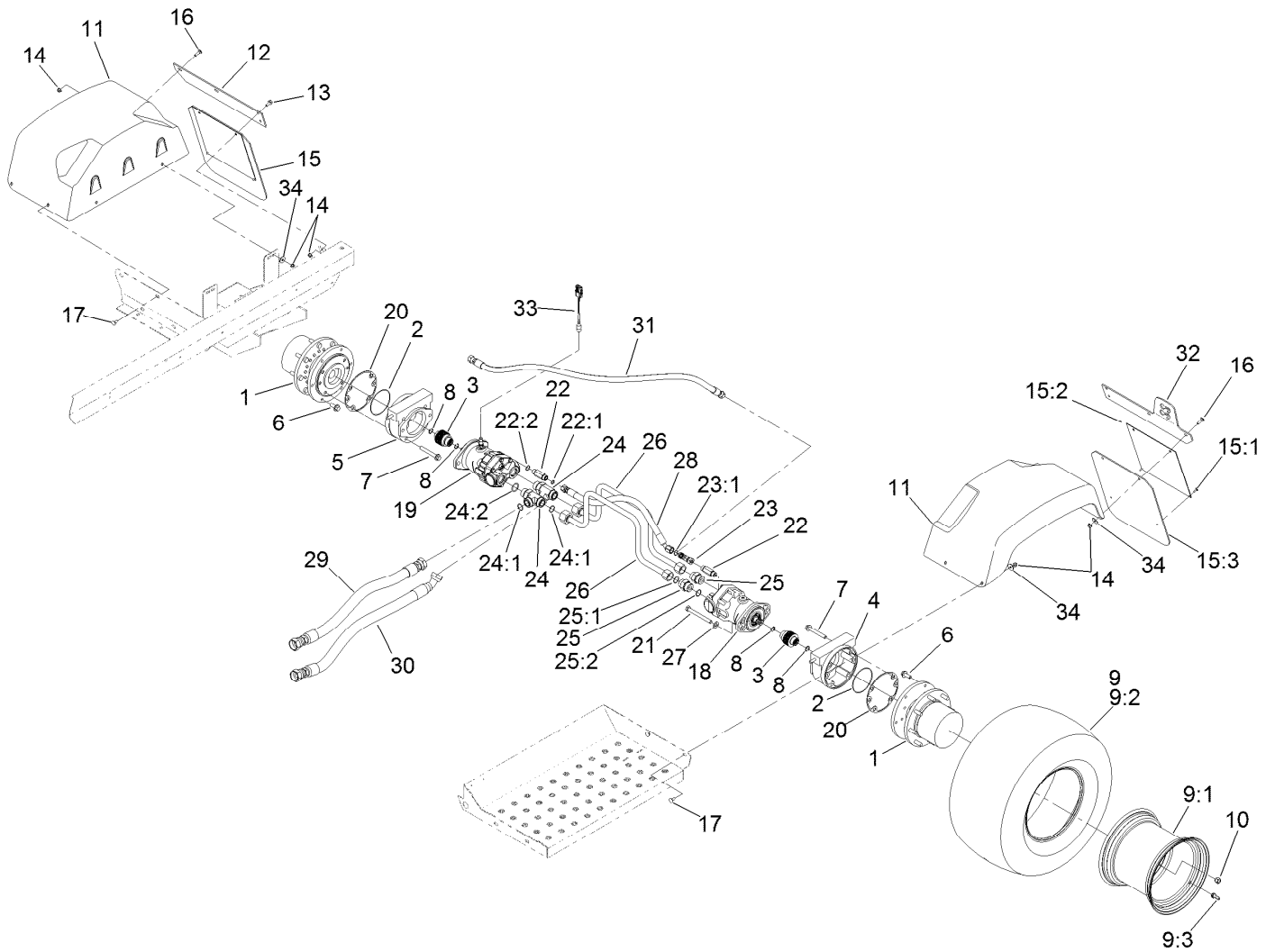
Ref.	Part Number	Qty.	Description
3	136-2430	2	Valve-Check, Po
3:1	120-0886	1	Seal Kit
4	107-7517	1	Valve-Solenoid
4:1	105-9156	1	Seal Kit
4:2	107-7812	1	Nut-Solenoid
5	120-2587	2	Valve-Solenoid
5:1	112-6520	1	Seal Kit ●
6	119-8036	5	Coil
7	120-2586	2	Spacer-Coil
8	110-8903	2	Orifice-Control, Flow (0.055)
9	125-8849	2	Orifice-Flow Control
10	340-92	4	Fitting-Straight
10:1	237-78	1	O-Ring
10:2	237-21	1	O-Ring
11	110-2634	2	Nut-Coil

● Not illustrated



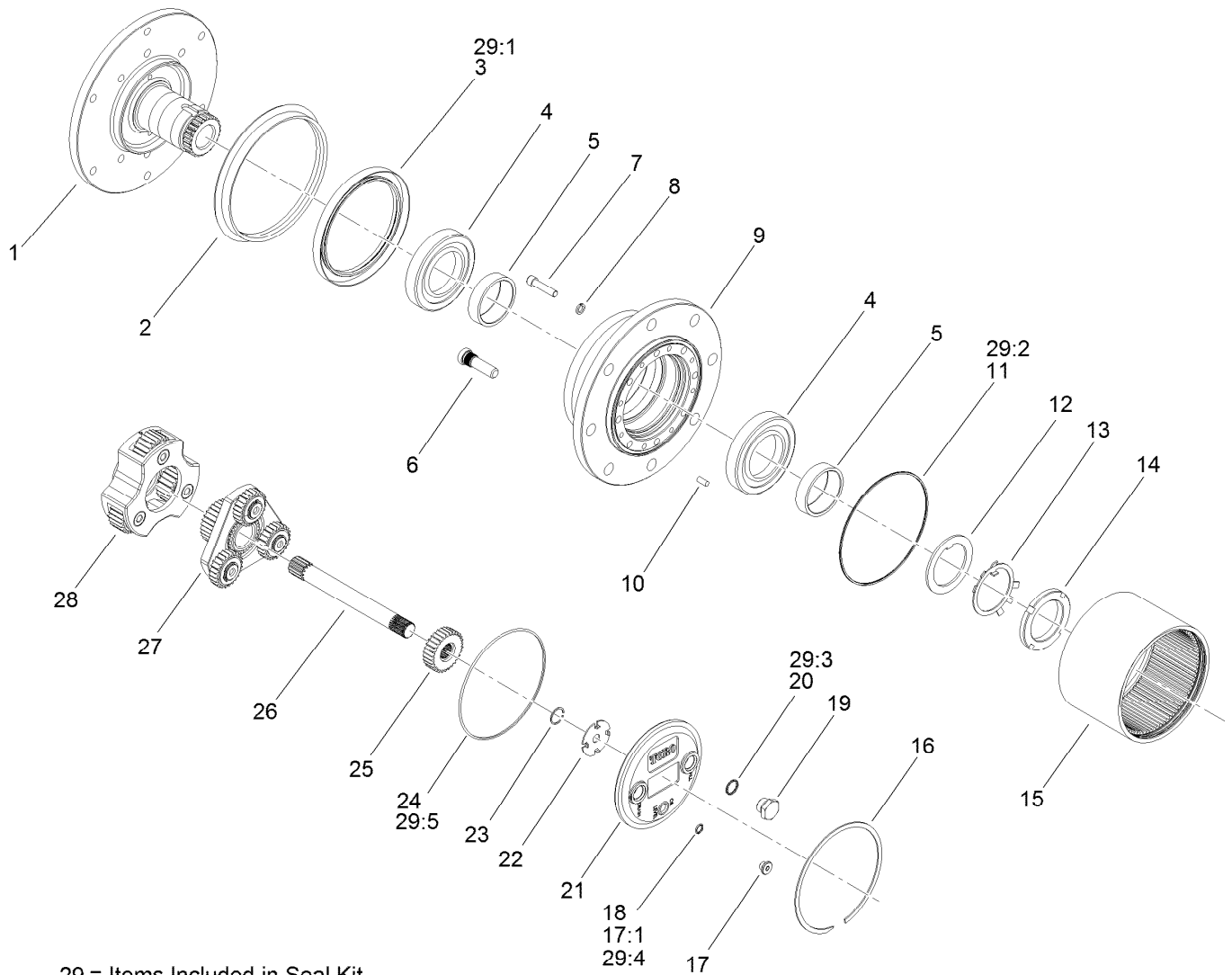
Rear Drive Assembly

Ref.	Part Number	Qty.	Description	Ref.	Part Number	Qty.	Description
1	136-2913	2	Planetary ASM	16	3230-2	4	Bolt-CARR
2	237-166	2	O-Ring	17	3230-1	8	Bolt-CARR
3	100-3046	2	Shaft-Brake, Splined	18	132-5631	1	HYD Motor ASM
4	100-3069	1	RH Brake ASM	19	136-2373	1	Motor-Hydraulic (W/Speed Sensor)
5	100-3070	1	LH Brake ASM	20	93-7984	2	Gasket
6	33106-030	12	Screw-HHF	21	33116-110	4	Screw-HH
7	33106-080	8	Screw-HHF	22	119-4854	2	Fitting-STR
8	93-7972	4	Ring-Retaining, Internal	22:1	237-30	1	O-Ring
9	145-3376	2	Tire/Wheel ASM	22:2	237-79	1	O-Ring
9:1	133-2723	1	Wheel	23	340-104	1	Fitting-Tee
9:2	145-3377	1	Tire 26.5/14-12, 6 Ply	23:1	237-30	2	O-Ring
9:3	232-27	1	Stem-Valve	24	104-3795	2	Fitting-Tee
10	242-50	16	Nut-Lug	24:1	340-65	2	O-Ring
11	93-6498	2	Fender-Rear	24:2	237-146	1	O-Ring
12	93-6528-03	1	Strap-Mount, Fender	25	340-91	2	Fitting-STR
13	3234-5	4	Screw-HHF	25:1	237-58	1	O-Ring
14	104-8300	16	Nut-HF, NI	25:2	237-146	1	O-Ring
15	94-7127	2	Splash Guard ASM	26	117-0674	2	Tube-Traction
15:1	114439	2	Rivet-Blind	27	33096-00	4	Washer-Flat
15:2	94-7128-03	1	Plate-Guard, Splash	28	131-9634	1	Hydraulic Hose ASM
15:3	94-7129	1	Guard-Splash				



Rear Drive Assembly (continued)

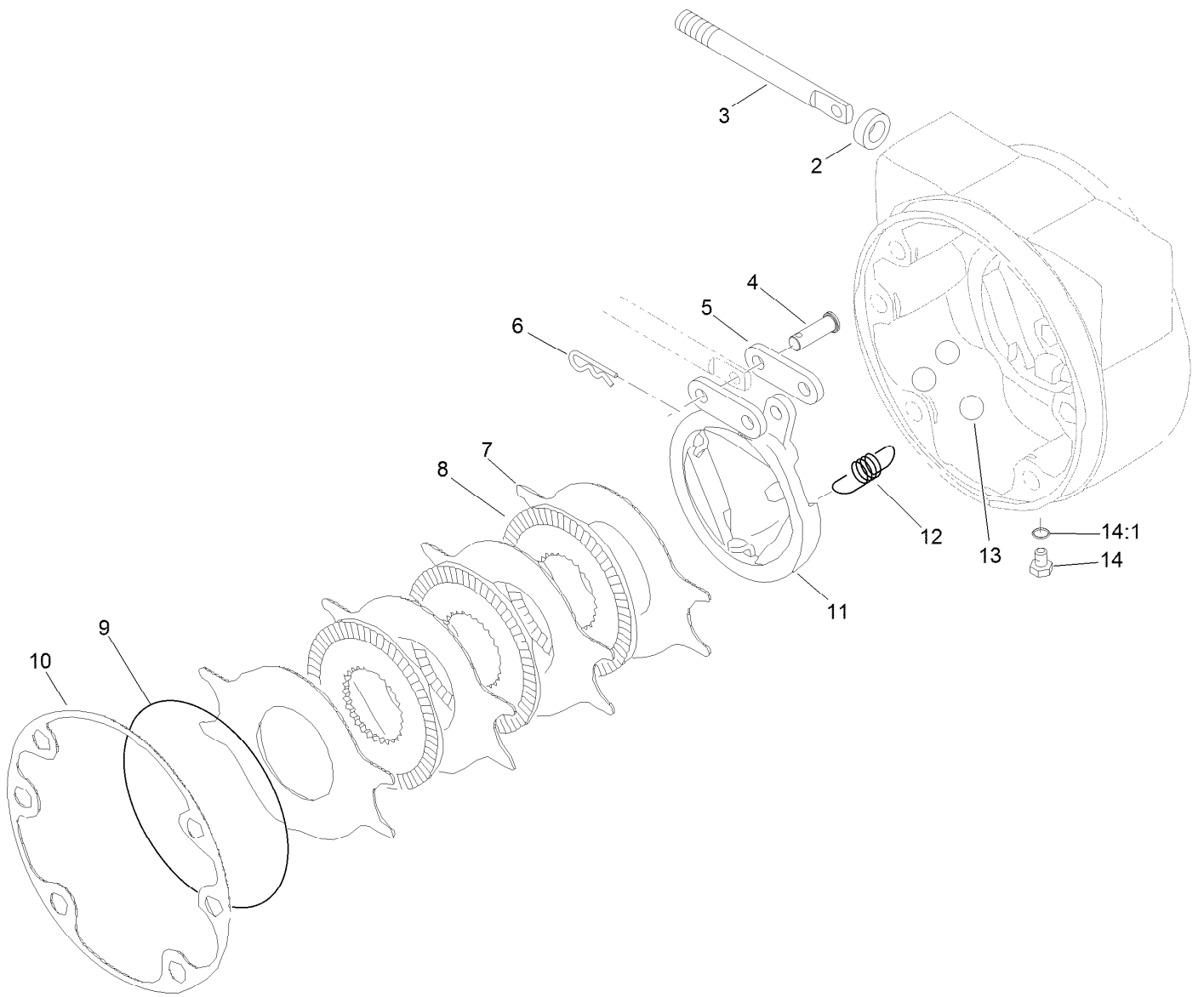
<i>Ref.</i>	<i>Part Number</i>	<i>Qty.</i>	<i>Description</i>	<i>Ref.</i>	<i>Part Number</i>	<i>Qty.</i>	<i>Description</i>
29	120-8563	1	Hose ASM	32	136-2308-03	1	Support-Mount, Drain
30	120-8564	1	Hose ASM	33	136-2339	1	Harness-Wire, Adaptor
31	119-0582	1	Hose ASM	34	3256-82	12	Washer-Flat



Planetary Assembly No. 136-2913

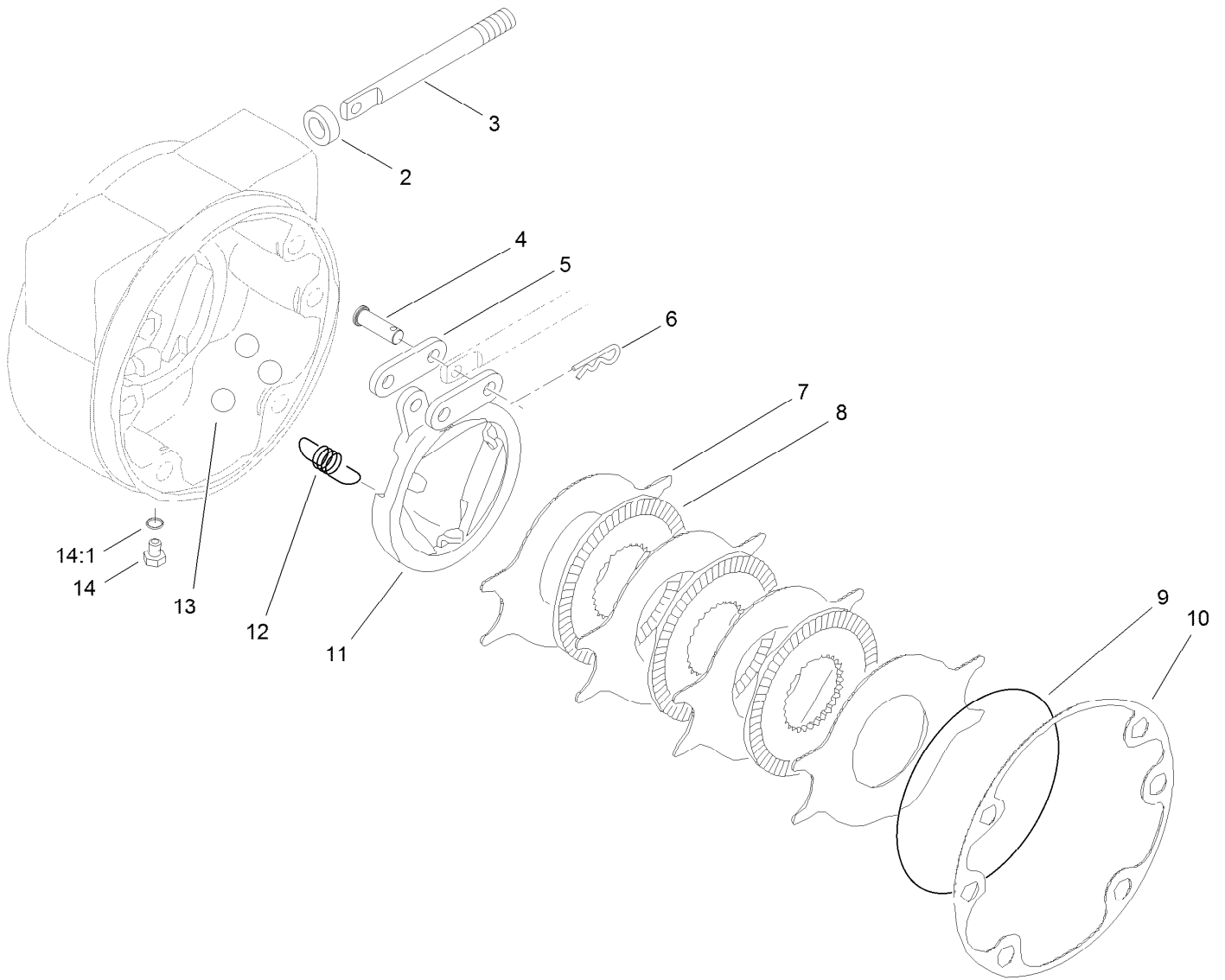
Ref.	Part Number	Qty.	Description	Ref.	Part Number	Qty.	Description
1		1	Spindle ●	18	237-78	1	O-Ring
2	138-1204	1	Seal-Boot	19	138-1211	2	Plug-Flange, Magnetic
3		1	Seal-Lip ●	20	138-1212	2	O-Ring
4	138-1205	2	Bearing-Cup	21	138-1213	1	Cap-End
5	138-1206	2	Bearing-Cone	22	138-1214	1	Washer-Thrust, Sun
6	105-8124	8	Stud-Wheel	23	105-8131	2	Ring-Retaining
7	138-1207	8	Screw-Socket Head	24		1	O-Ring ●
8	138-1208	8	Washer-Lock	25	138-1215	1	Gear-Primary, Sun
9		1	Housing ●	26	138-1216	1	Shaft-Drive
10	105-8121	4	Pin-Dowel	27	138-1217	1	Primary Carrier ASM
11		1	O-Ring ●	28	138-1218	1	Secondary Carrier ASM
12	138-6928	1	Spacer	29	138-1219	1	Seal Kit
13	138-6929	1	Washer	29:1		1	Seal-Lip ●
14	138-6930	1	Nut-Lock	29:2		1	O-Ring ●
15	138-1209	1	Gear-Ring	29:3		1	O-Ring ●
16	138-1210	1	Ring-Snap	29:4		1	O-Ring ●
17	353-990	1	Plug ASM	29:5		1	O-Ring ●
17:1	237-78	1	O-Ring				

● Not serviced separately



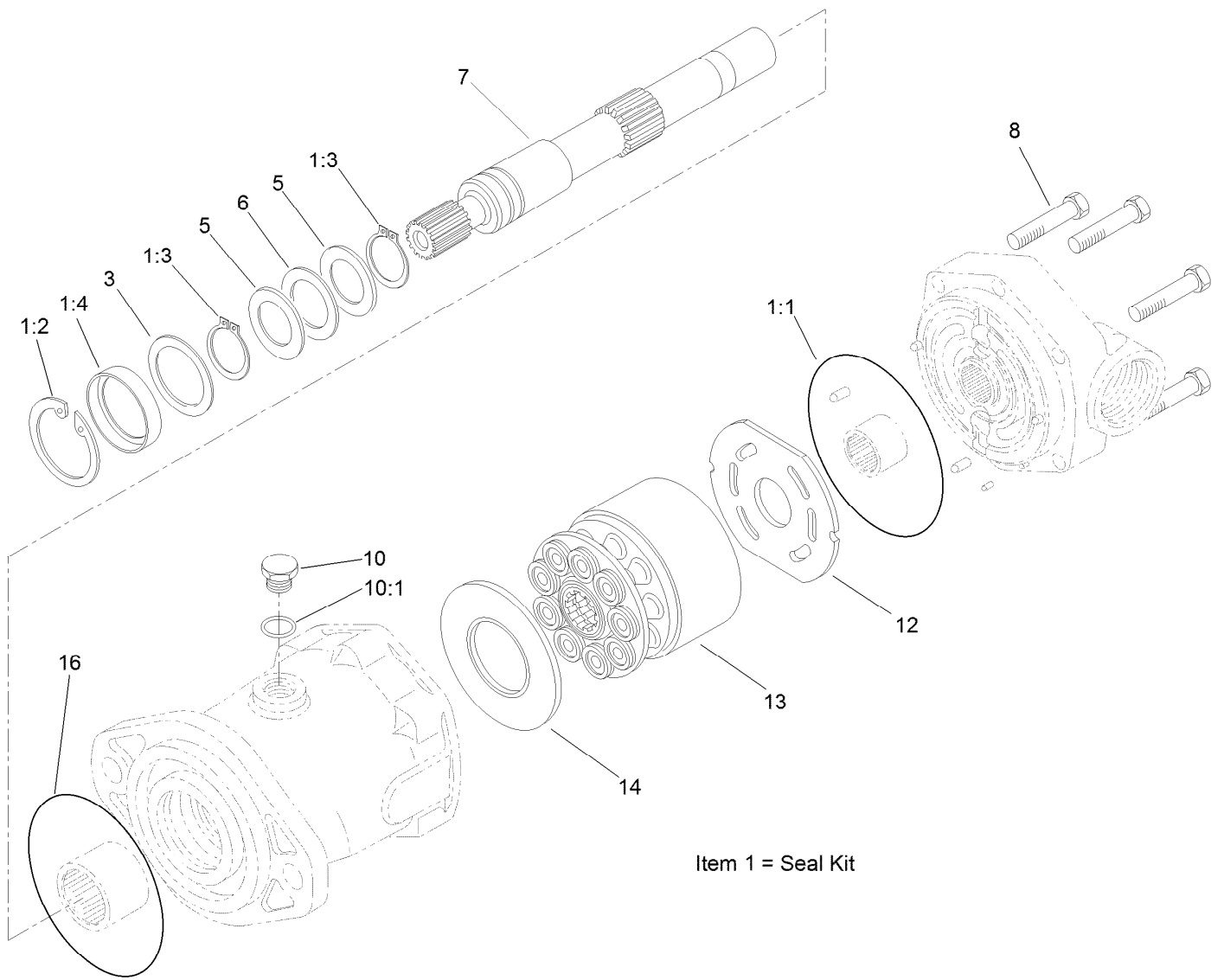
RH Brake Assembly No. 100-3069

<i>Ref.</i>	<i>Part Number</i>	<i>Qty.</i>	<i>Description</i>
2	93-7977	1	Seal
3	93-7978	1	Rod-Pull
4	93-7983	2	Pin-Clevis
5	93-7980	2	Link
6	93-7979	2	Pin-Hitch
7	93-7986	4	Disc-Stationary
8	104-4278	3	Disc-Rotating
9	93-7976	1	Ring-Retaining
10	93-7984	1	Gasket
11	104-4280	1	Actuator-Rotating
12	93-7987	3	Spring-Extension
13	93-7985	3	Ball
14	353-990	2	Plug ASM
14:1	237-78	1	O-Ring



LH Brake Assembly No. 100-3070

<i>Ref.</i>	<i>Part Number</i>	<i>Qty.</i>	<i>Description</i>
2	93-7977	1	Seal
3	93-7978	1	Rod-Pull
4	93-7983	2	Pin-Clevis
5	93-7980	2	Link
6	93-7979	2	Pin-Hitch
7	93-7986	4	Disc-Stationary
8	104-4278	3	Disc-Rotating
9	93-7976	1	Ring-Retaining
10	93-7984	1	Gasket
11	104-4279	1	Actuator-Rotating
12	93-7987	3	Spring-Extension
13	93-7985	3	Ball
14	353-990	2	Plug ASM
14:1	237-78	1	O-Ring

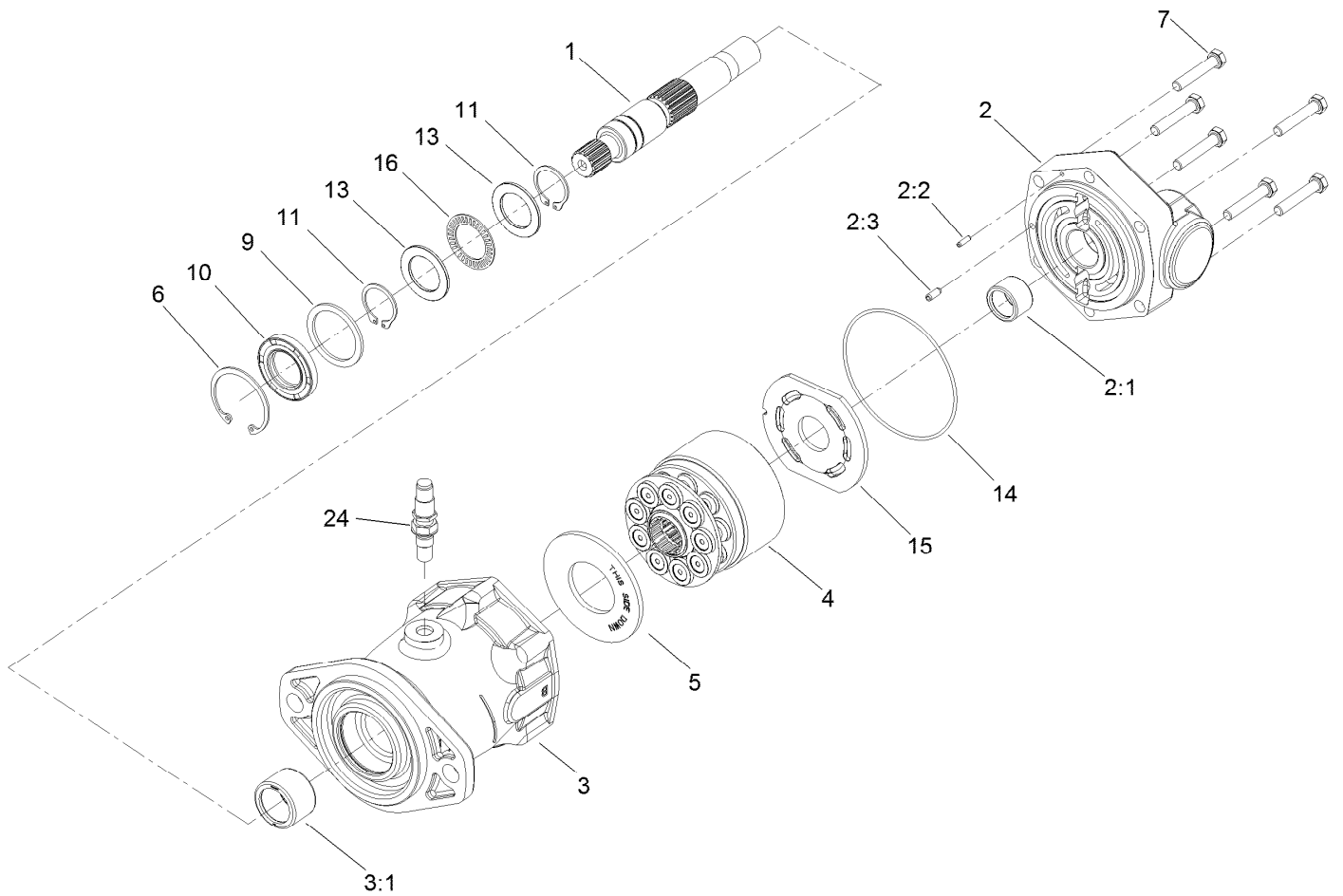


Hydraulic Motor Assembly No. 132-5631

Ref.	Part Number	Qty.	Description	Ref.	Part Number	Qty.	Description
1	106-6876	1	Seal Kit	7	94-3004	1	Shaft-Drive, Splined
1:1		1	O-Ring ●■	8	94-3002	6	Screw-Cap
1:2	76-7010	1	Ring-Retaining ●	10	94-3009	1	Plug
1:3	76-7000	2	Ring-Retaining ●	10:1		1	O-Ring ■
1:4		1	Seal-Shaft ●■	12	94-3003	1	Plate-Valve
3	60-6240	1	Washer	13	76-6910	1	Rotating Kit
5	76-6950	2	Race-Thrust	14	76-6970	1	Insert-Plate, Cam
6	76-6960	1	Bearing-Thrust	16	237-166	1	O-Ring

● Not illustrated

■ Not serviced separately

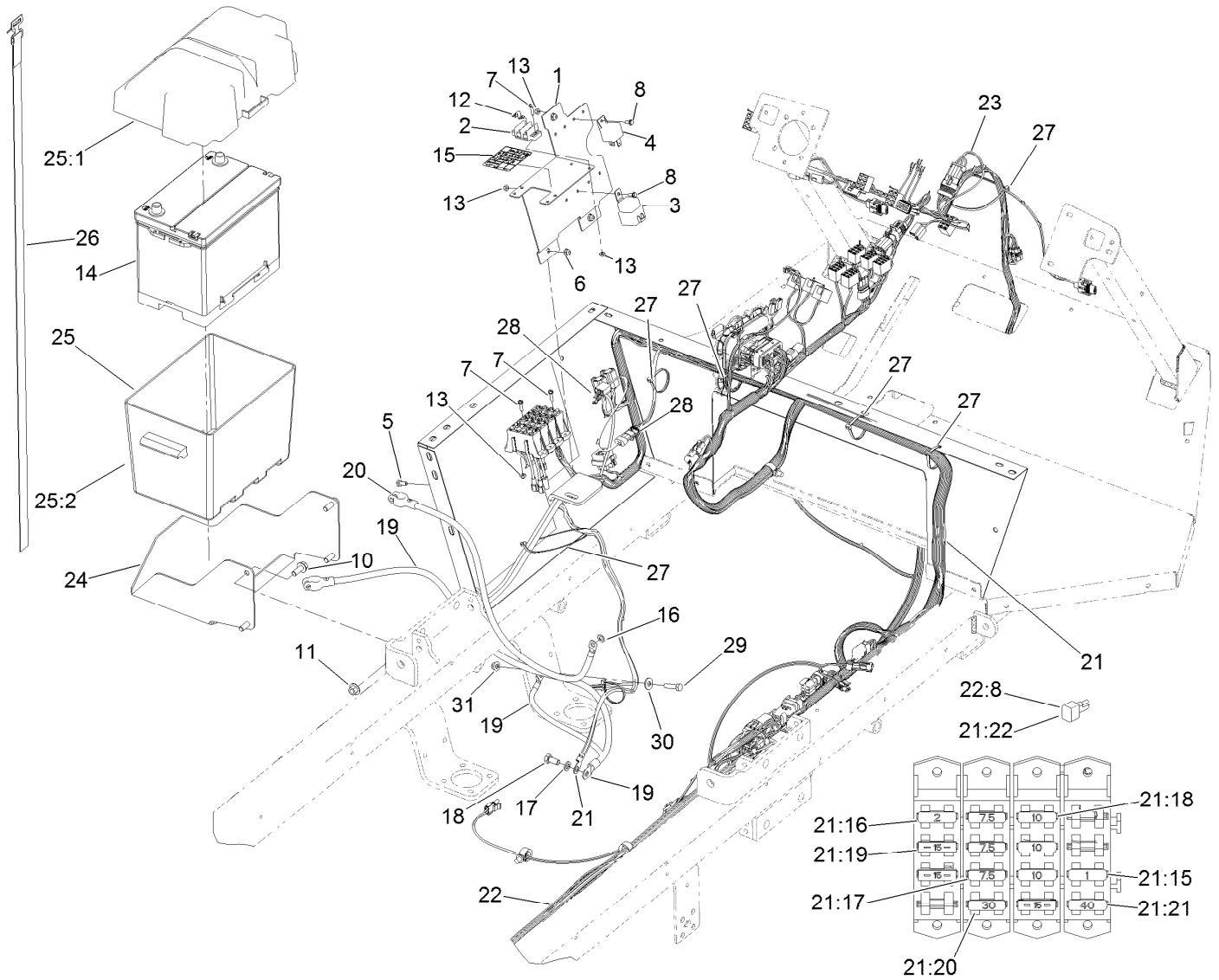


Hydraulic Motor Assembly No. 136-2373

Ref.	Part Number	Qty.	Description	Ref.	Part Number	Qty.	Description
1	94-3004	1	Shaft-Drive, Splined	10	106-6876	1	Seal Kit
2	136-2366	1	Backplate ASM	10:1		1	O-Ring ■●
2:1	136-2367	1	Bearing	10:2	76-7010	1	Ring-Retaining ●
2:2	136-2369	1	Pin-Roll	10:3	76-7000	2	Ring-Retaining ●
2:3	136-2370	1	Pin-Roll	10:4		1	Seal-Shaft ■●
3	136-2365	1	Housing ASM	11	76-7000	2	Ring-Retaining
3:1	136-2368	1	Bearing	13	76-6950	2	Race-Thrust
4	76-6910	1	Rotating Kit	14	76-6980	1	O-Ring
5	76-6970	1	Insert-Plate, Cam	15	94-3003	1	Plate-Valve
6	76-7010	1	Ring-Retaining	16	76-6960	1	Bearing-Thrust
7	94-3002	6	Screw-Cap	24	136-2270	1	Sensor-Speed, Wheel
9	60-6240	1	Washer				

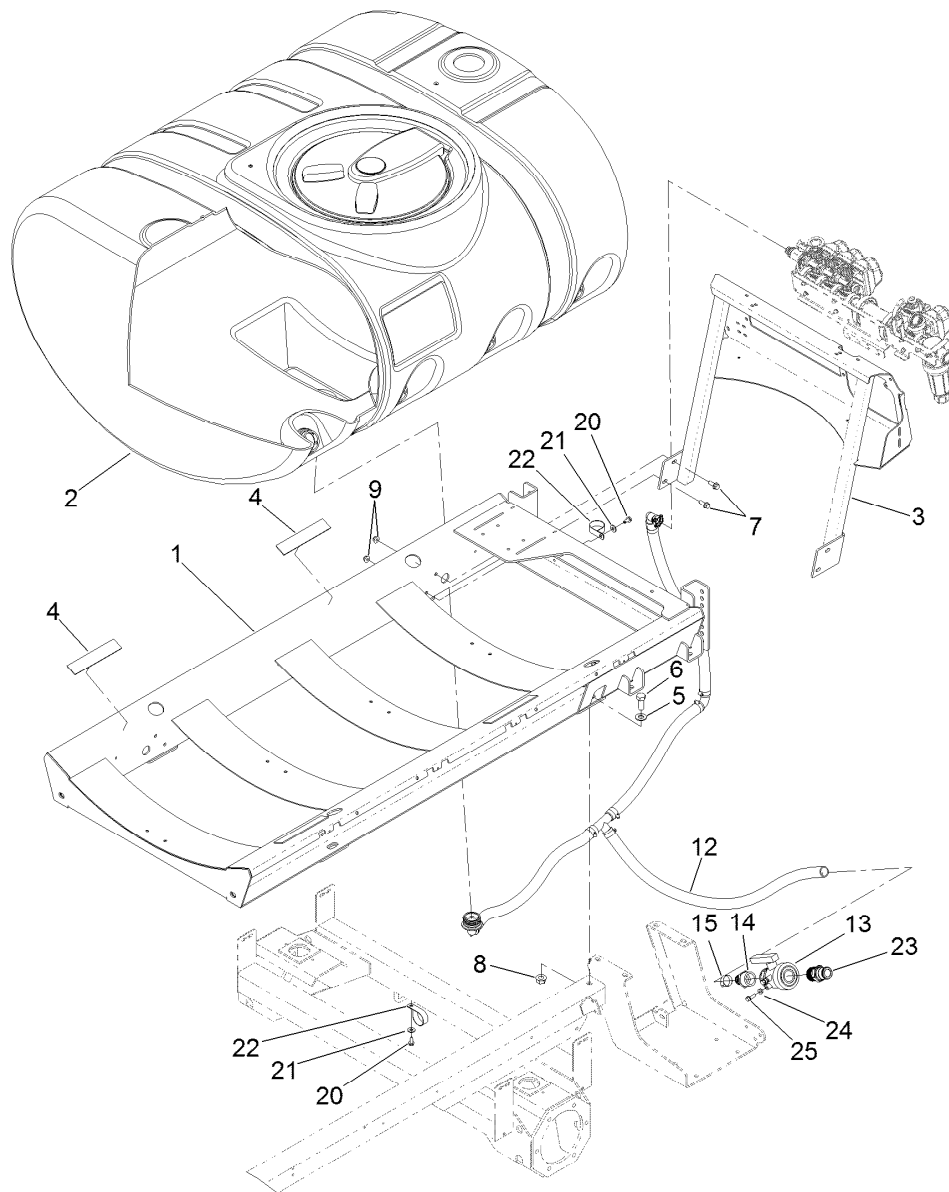
● Not illustrated

■ Not serviced separately



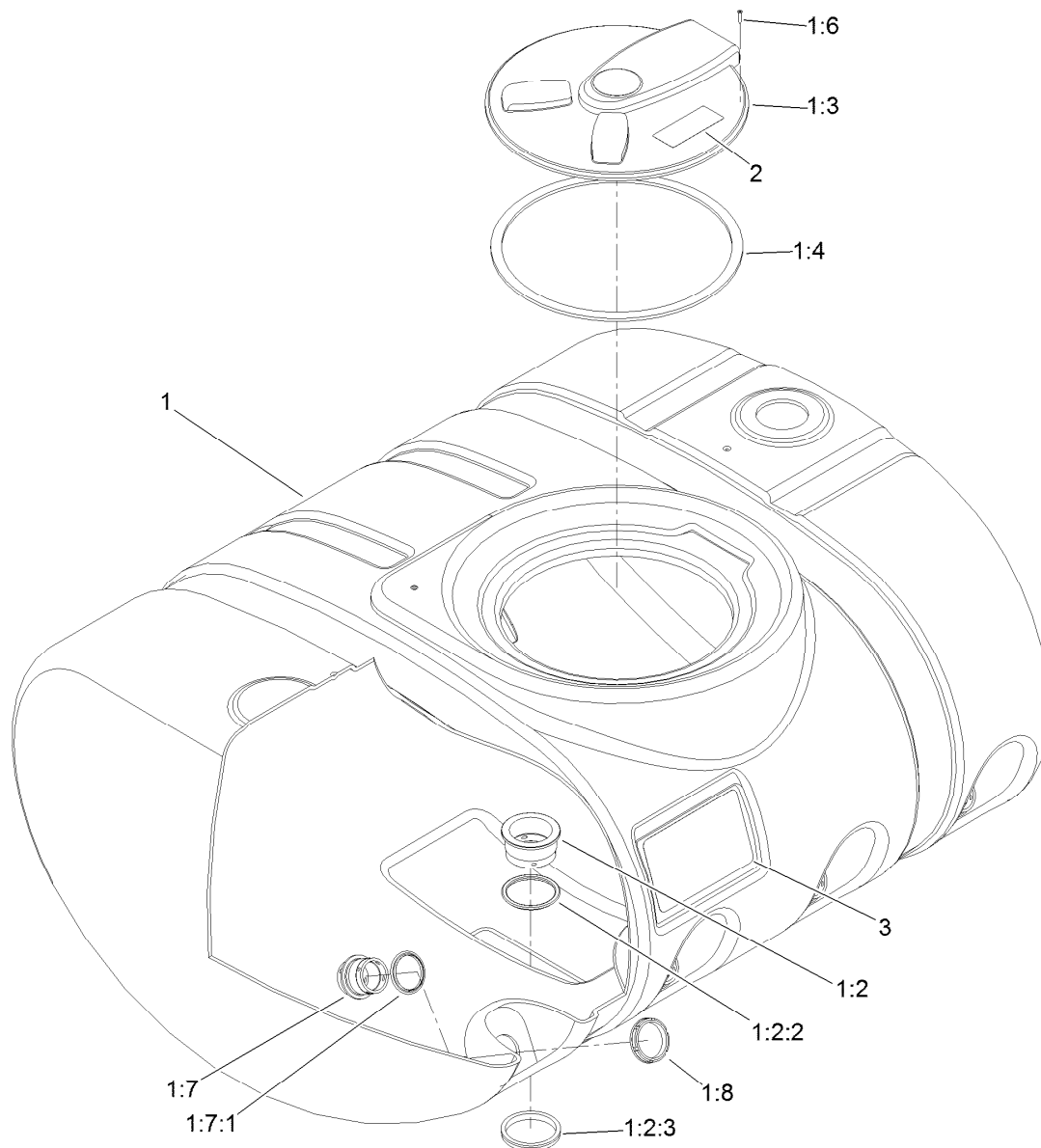
Electrical Assembly

Ref.	Part Number	Qty.	Description	Ref.	Part Number	Qty.	Description
1	133-2757-0P	1	Panel-Electrical	21:15	104-9055	1	Fuse-Blade, 1 Amp
2	42862	1	Block-Terminal, Ground	21:16	94-6710	1	Fuse-2 Amp
3	99-7430	1	Relay-Mini	21:17	114241	3	Fuse-Blade, 7.5 Amp
4	99-7435	1	Relay	21:18	218-578	3	Fuse-Blade, 10 Amp
5	321-3	3	Screw-HH	21:19	109355	3	Fuse-Blade, 15 Amp
6	104-7201	3	Nut-HF, NI	21:20	109103	1	Fuse-Blade, 30 Amp
7	32105-13	4	Screw-HWH	21:21	99-6124	1	Fuse-40 Amp
8	3290-321	2	Screw-HWH	21:22	100-4918	2	Diode
10	3234-11	4	Screw-HHF	22	122-0694	1	Harness-Wire, Rear
11	32128-43	4	Nut-Flange	22:8	100-4918	4	Diode
12	42863	1	Strip-Jumper	23	122-0695	1	Harness-Wire, Auto/MAN
13	3296-2	6	Nut-Lock, NI	24	119-5049-03	1	Bracket-Battery
14	106-5190	1	Battery, 660 CCA W/O Electrolyte	25	93-7595	1	Battery Box ASM
15	133-2758	1	Decal-Fuse	25:1	105-2914	1	Top-Battery Box
16	3255-8	1	Washer-Lock	25:2	105-2915	1	Bottom-Battery Box
17	48-9590	1	Washer-Lock	26	3339-175	1	Strapping-Web
18	63-7790	1	Screw-Cap	27	3290-379	6	Tie-Cable
19	105-0115	1	Cable-Battery, Negative	28	108-8657	1	Harness-Wire, Seat
20	105-0114	1	Cable-Battery, Positive	29	322-6	1	Screw-HH
21	122-1442	1	Harness-Wire	30	3256-3	1	Washer-Flat
				31	104-8300	1	Nut-HF, NI



Tank and Saddle Assembly

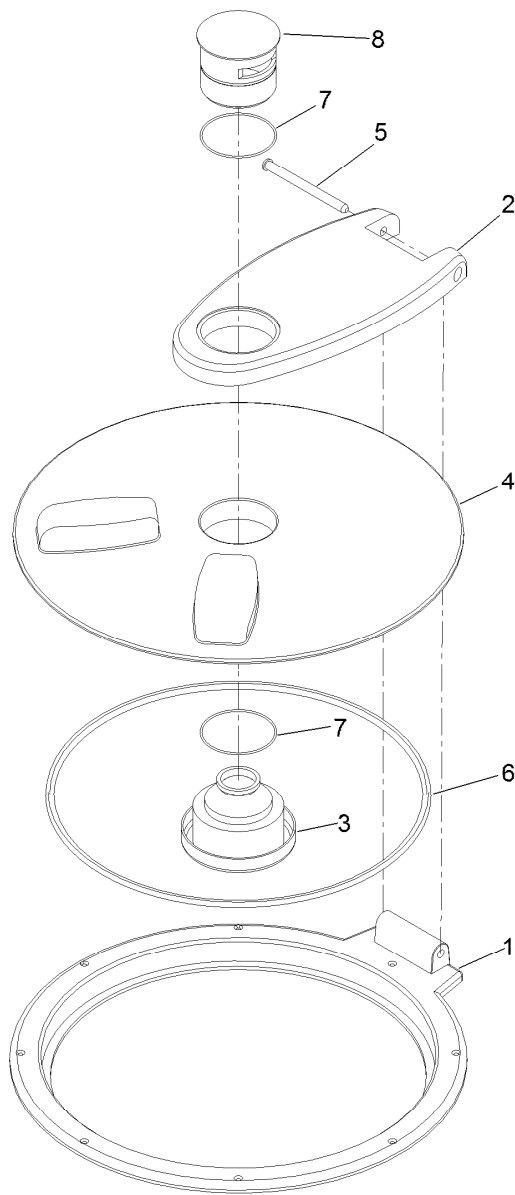
<i>Ref.</i>	<i>Part Number</i>	<i>Qty.</i>	<i>Description</i>	<i>Ref.</i>	<i>Part Number</i>	<i>Qty.</i>	<i>Description</i>
1	130-7092-03	1	Tank Saddle ASM	13	108-0069	1	Valve-Ball
2	117-8005	1	Tank ASM	14	110-5224	1	Fitting-Barbed, Straight
3	136-2289-03	1	Support-Valve	15	2412-34	1	Clamp-Hose
4	104-7102	4	Pad-Battery	20	32104-32	2	Screw-HWH
5	3256-27	4	Washer-Flat	21	3256-3	2	Washer-Flat
6	327-4	4	Screw-HH	22	2412-147	2	Clamp-R
7	3234-11	4	Screw-HHF	23	132-7787	1	Coupler-Quick
8	32128-50	4	Nut-Flange	24	32128-26	2	Nut-HF
9	104-8301	4	Nut-HF, NI	25	3234-29	2	Screw-HHF
12	132-4297	1	Bypass Hose ASM				



Tank Assembly No. 117-8005

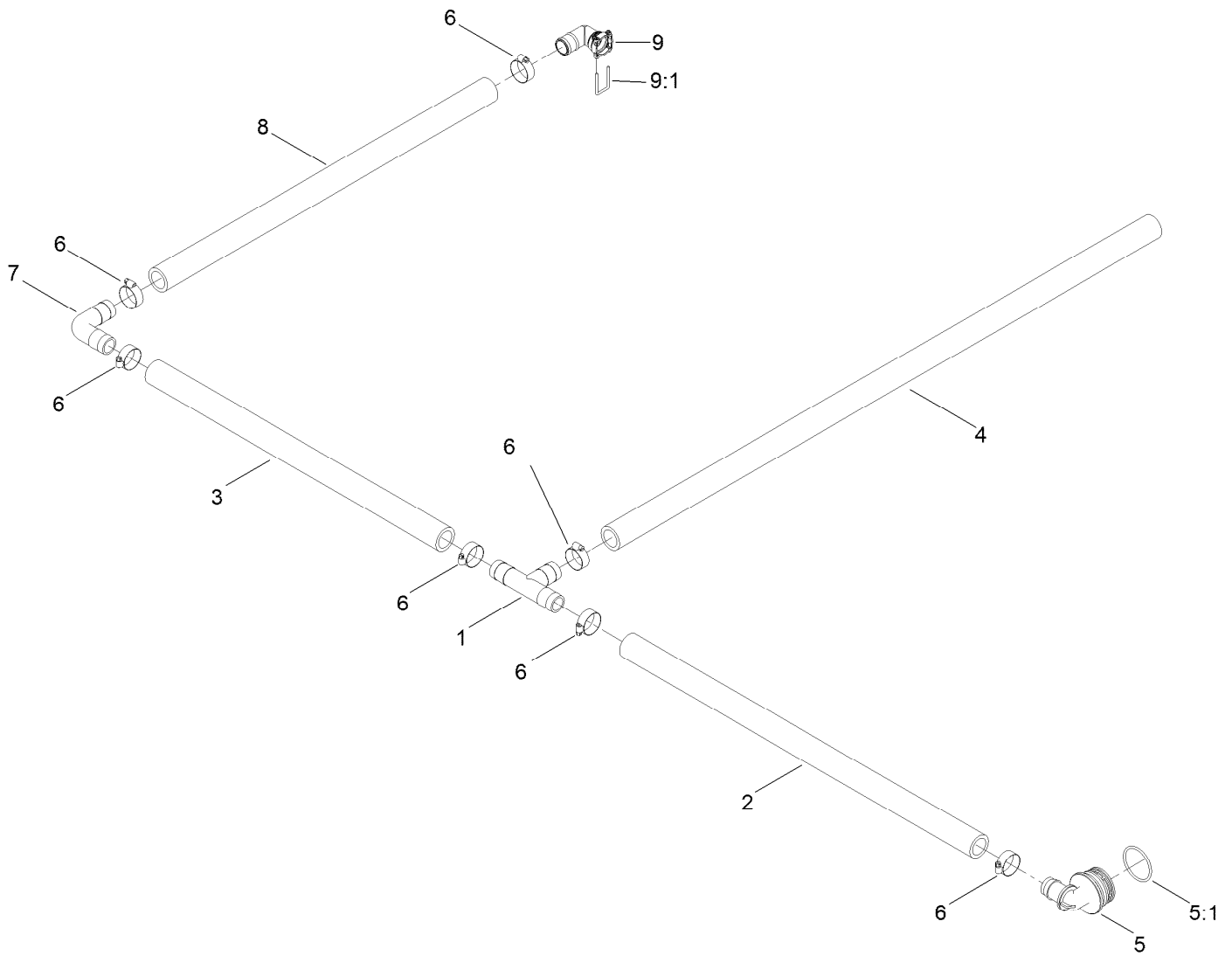
<i>Ref.</i>	<i>Part Number</i>	<i>Qty.</i>	<i>Description</i>
1		1	Tank ASM ●
1:2	117-7851	1	Bulkhead ASM
1:2:2	100-8646	1	Gasket-Bulkhead
1:2:3	100-8647	1	Nut-Bulkhead
1:3	138-6283	1	Lid ASM - Sprayer Tank
1:4	119-9378	1	Gasket-Lid, Tank
1:6	107-8635	8	Screw-PFH
1:7	108-3358	4	Fitting-Bulkhead
1:7:1	107-2864	1	Gasket-Bulkhead
1:8	100-7051	4	Nut-Bulkhead
2	120-0622	1	Decal-Warning
3	119-5042	2	Decal-Tank

● Not serviced separately



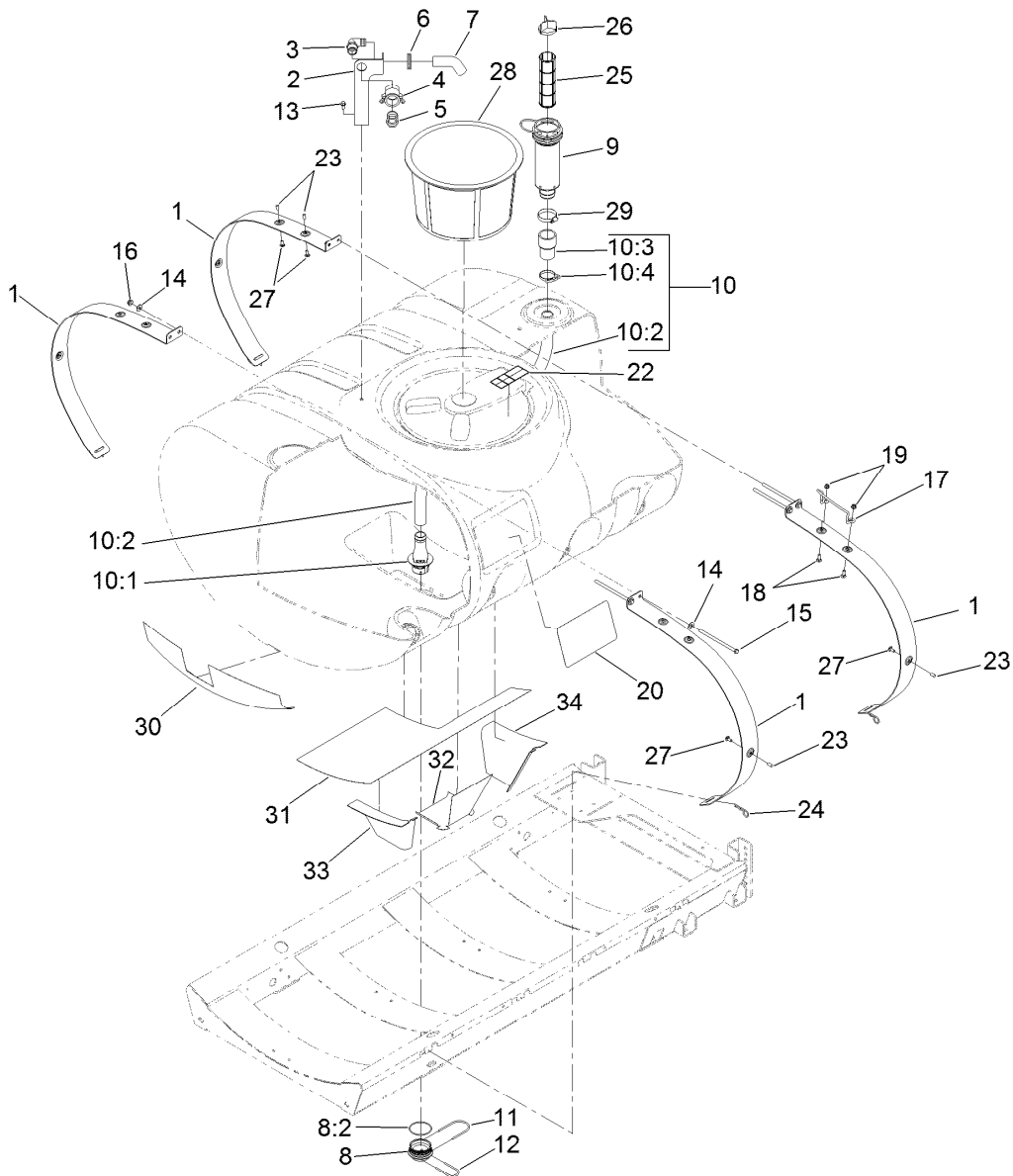
Spray Tank Lid Assembly No. 138-6283

<i>Ref.</i>	<i>Part Number</i>	<i>Qty.</i>	<i>Description</i>
1	119-9381	1	Ring-Lid
2	119-9382	1	Arm-Lid
3	119-9383	1	Vent-Lid
4	119-9384	1	Cover-Lid
5	119-9385	1	Pin-Pivot
6	138-6281	1	Seal - Tank Lid
7	119-9386	2	O-Ring
8	119-9387	1	Cap-Lid



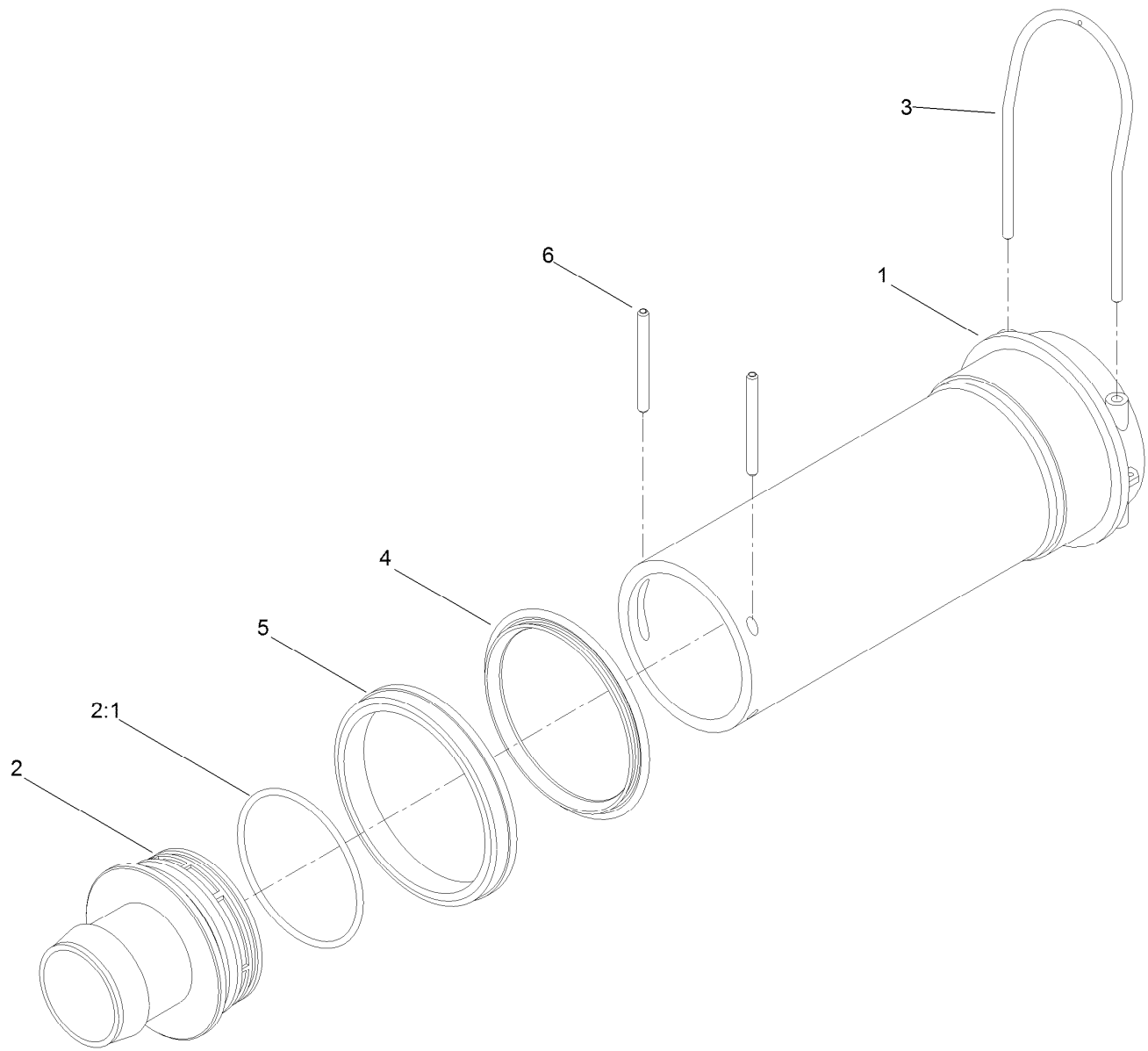
Bypass Hose Assembly No. 132-4297

Ref.	Part Number	Qty.	Description
1	117-7866	1	Tee-Hosebarb
2	131-5775	1	Hose-Drain
3	131-5825	1	Hose-Drain
4	131-5777	1	Hose-Drain
5	106-4933	1	Hosebarb ASM
5:1	100-8637	1	O-Ring
6	2412-34	7	Clamp-Hose
7	117-7867	1	Elbow-Hosebarb
8	131-5824	1	Hose-Drain
9	131-0213	1	90 DEG Barb Fitting Kit
9:1	133-0398	1	Pin-Fork



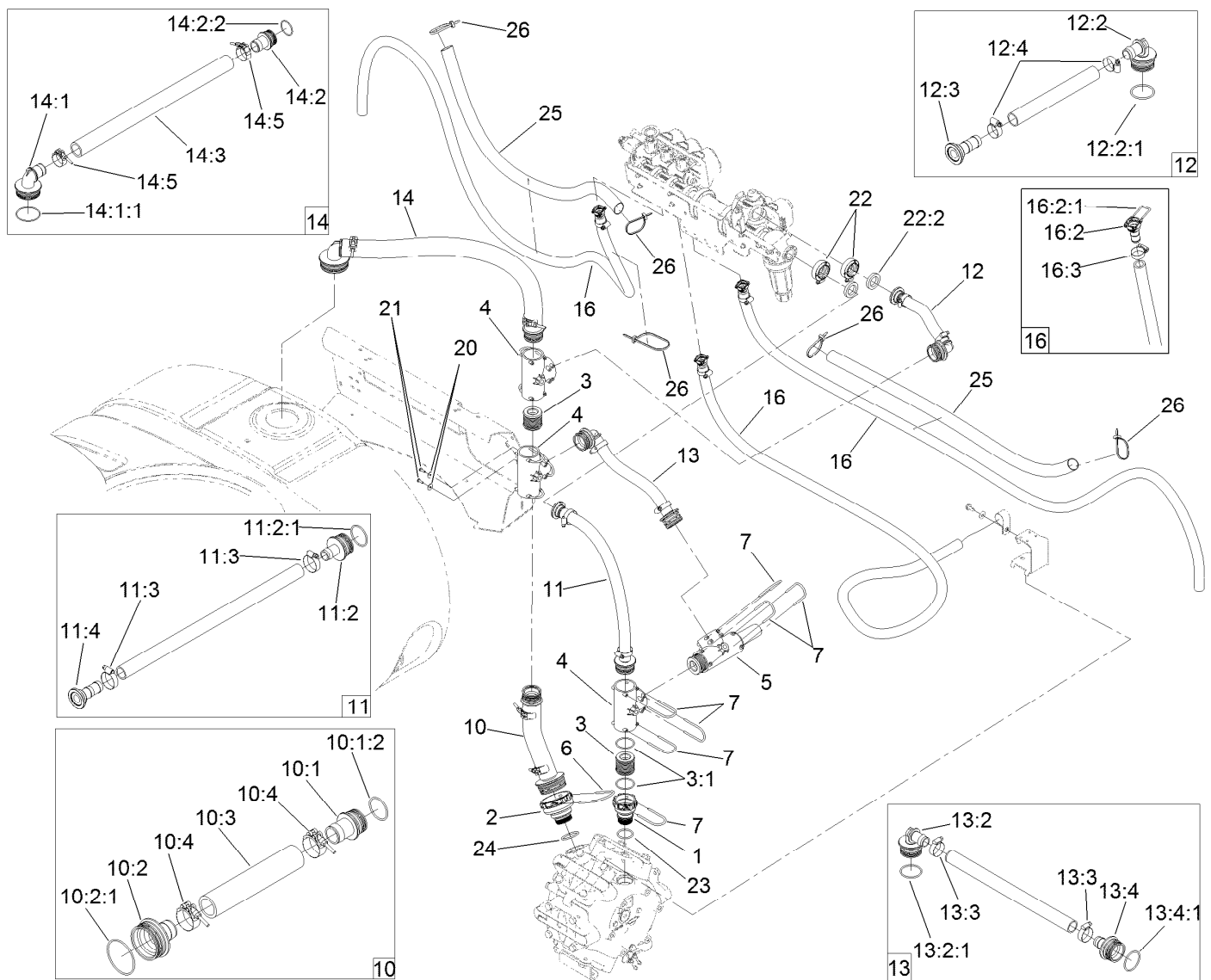
Tank Mounting and Filter Assembly

Ref.	Part Number	Qty.	Description	Ref.	Part Number	Qty.	Description
1	117-8029-03	4	Band-Tank	17	119-5019	1	Stop-Lid
2	110-5082-03	1	Bracket-Anti Siphon	18	3230-2	2	Bolt-CARR
3	41140	1	Elbow	19	104-8300	2	Nut-HF, NI
4	100-6779	1	Coupling-Female	20	131-3316	2	Decal-Tank
5	41316	1	Adapter-Quick	22	120-0622	1	Decal-Warning
6	110-5090	1	Grommet	23	42452	5	Cap-Protective
7	110-5088	1	Hose-Fill	24	3290-343	4	Pin-Hair
8	117-7928	1	Adapter ASM	25	100-6991	1	Element-Filter, Green
8:2	100-6989	1	O-Ring	25	100-6992	1	Element-Filter, Red
9	130-7096	1	Filter ASM	25	100-8642	1	Screen-Suction
10	121-5003	1	Suction Tube ASM	26	100-8641	1	Vane-Screen
10:1	121-5008	1	Foot-Suction	27	3230-1	5	Bolt-CARR
10:2	121-5030	1	Tube-Suction	28	119-9419	1	Basket-Filter
10:3	121-5031	1	Connector-Suction	29	2412-130	1	Clamp-Hose
10:4	121-5047	1	Clamp-Nylon	30	130-7139	1	Shield-Heat Tape, Front
11	117-7996	1	Fork	31	130-7140	1	Shield-Heat Tape, Bottom
12	100-8635	1	Fork	32	130-7141	1	Shield-Heat Tape, Sump
13	3234-5	1	Screw-HHF	33	131-3298	1	Shield-Heat Tape, Sump, Front
14	3256-4	8	Washer-Flat	34	131-3299	1	Shield-Heat Tape, Sump, Rear
15	120-0649	4	Bolt-TAP HH				
16	104-8301	4	Nut-HF, NI				



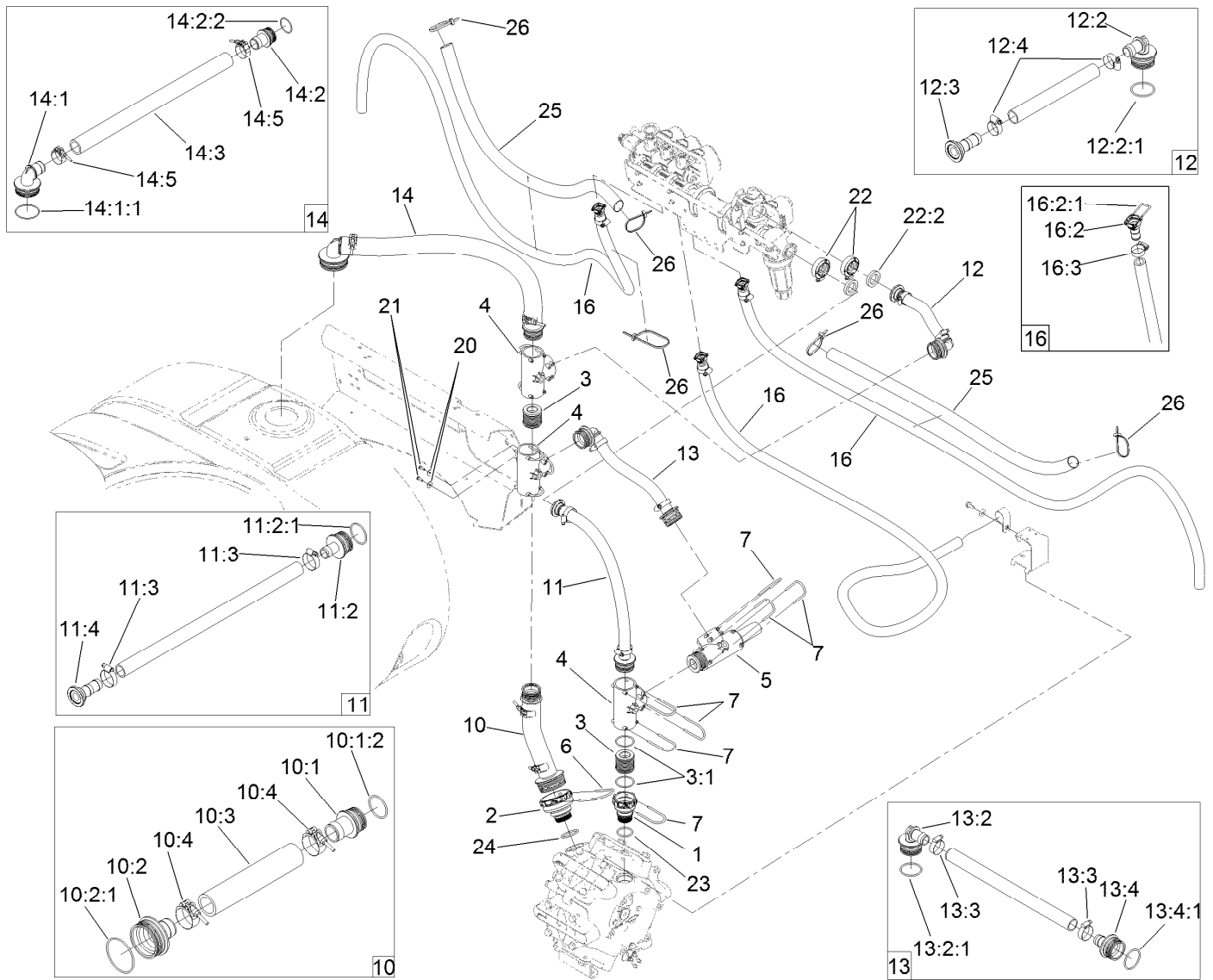
Filter Assembly No. 130-7096

<i>Ref.</i>	<i>Part Number</i>	<i>Qty.</i>	<i>Description</i>
1	100-8643	1	Housing-Filter
2	106-4942	1	Hosebarb-Straight
2:1	100-6989	1	O-Ring
3	100-8636	1	Fork-Special
4	100-8646	1	Gasket-Bulkhead
5	100-8647	1	Nut-Bulkhead
6	100-8644	2	Pin-Expansion



Spray System Hose Assembly

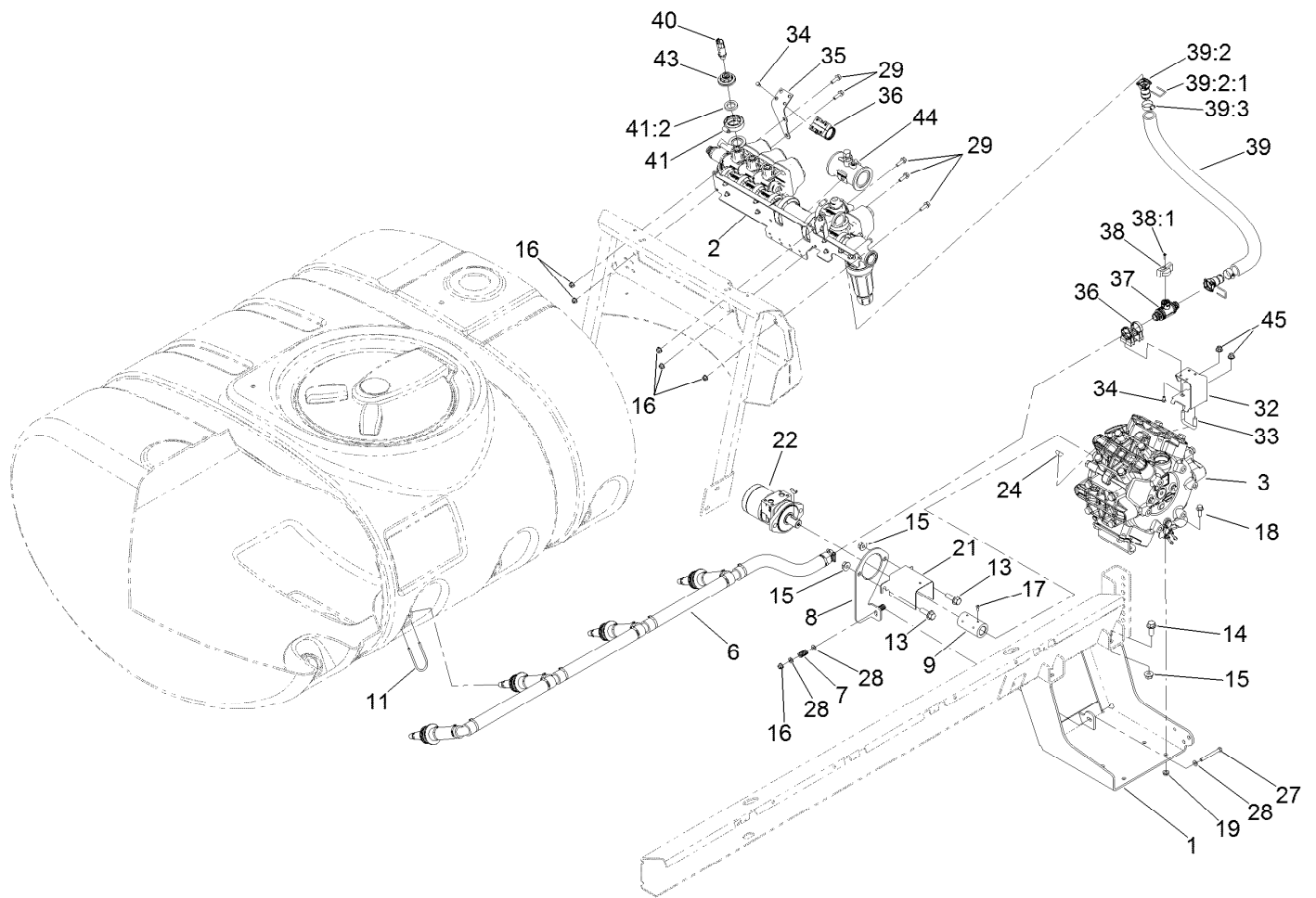
Ref.	Part Number	Qty.	Description	Ref.	Part Number	Qty.	Description
1	133-2881	1	Fitting	12:2	106-4933	1	Hosebarb ASM
2	133-2883	1	Fitting	12:2:1	100-8637	1	O-Ring
3	106-4947	2	Connector	12:3	127-1142	1	Fitting-Barb
3:1	100-8637	2	O-Ring	12:4	2412-129	2	Clamp-Hose
4	100-6704	3	Tee	13	117-7963	1	Pressure Relief Hose ASM
5	117-7874	1	Relief Valve ASM	13:2	106-4933	2	Hosebarb ASM
6	117-7996	1	Fork	13:2:1	100-8637	1	O-Ring
7	100-8635	11	Fork	13:3	2412-3	2	Clamp-Hose
10	130-7128	1	Lower Suction Hose ASM	13:4	106-4932	1	Hosebarb-Straight
10:1	117-7982	1	Hosebarb ASM	13:4:1	100-8637	1	O-Ring
10:1:2	100-8637	1	O-Ring	14	130-7127	1	Upper Suction Hose ASM
10:2	117-7965	1	Hosebarb ASM	14:1	106-4952	1	Hosebarb-90 DEG
10:2:1	100-6989	1	O-Ring	14:1:1	100-6989	1	O-Ring
10:3	127-8982	1	Hose-Suction, Lower	14:2	117-7982	1	Hosebarb ASM
10:4	130-7125	2	Clamp, T-Bolt	14:2:2	100-8637	1	O-Ring
11	132-4295	1	Supply Hose ASM	14:3	127-8981	1	Hose-Suction, Upper
11:2	106-4932	1	Hosebarb-Straight	14:5	130-7125	2	Clamp, T-Bolt
11:2:1	100-8637	1	O-Ring	16	132-4298	3	Left Boom Hose ASM
11:3	2412-3	2	Clamp-Hose	16:2	127-9807	1	Straight Fitting Kit
11:4	127-1142	1	Fitting-Barb	16:2:1	133-0398	1	Pin-Fork
12	132-4296	1	Agitation Bypass Hose ASM	16:3	2412-129	1	Clamp-Hose



Spray System Hose Assembly (continued)

Ref.	Part Number	Qty.	Description
20	3256-61	2	Washer-Flat
21	32144-32	2	Screw
22	127-9829	2	Clamp/Gasket Kit
22:2	127-1145	1	Gasket-Flange

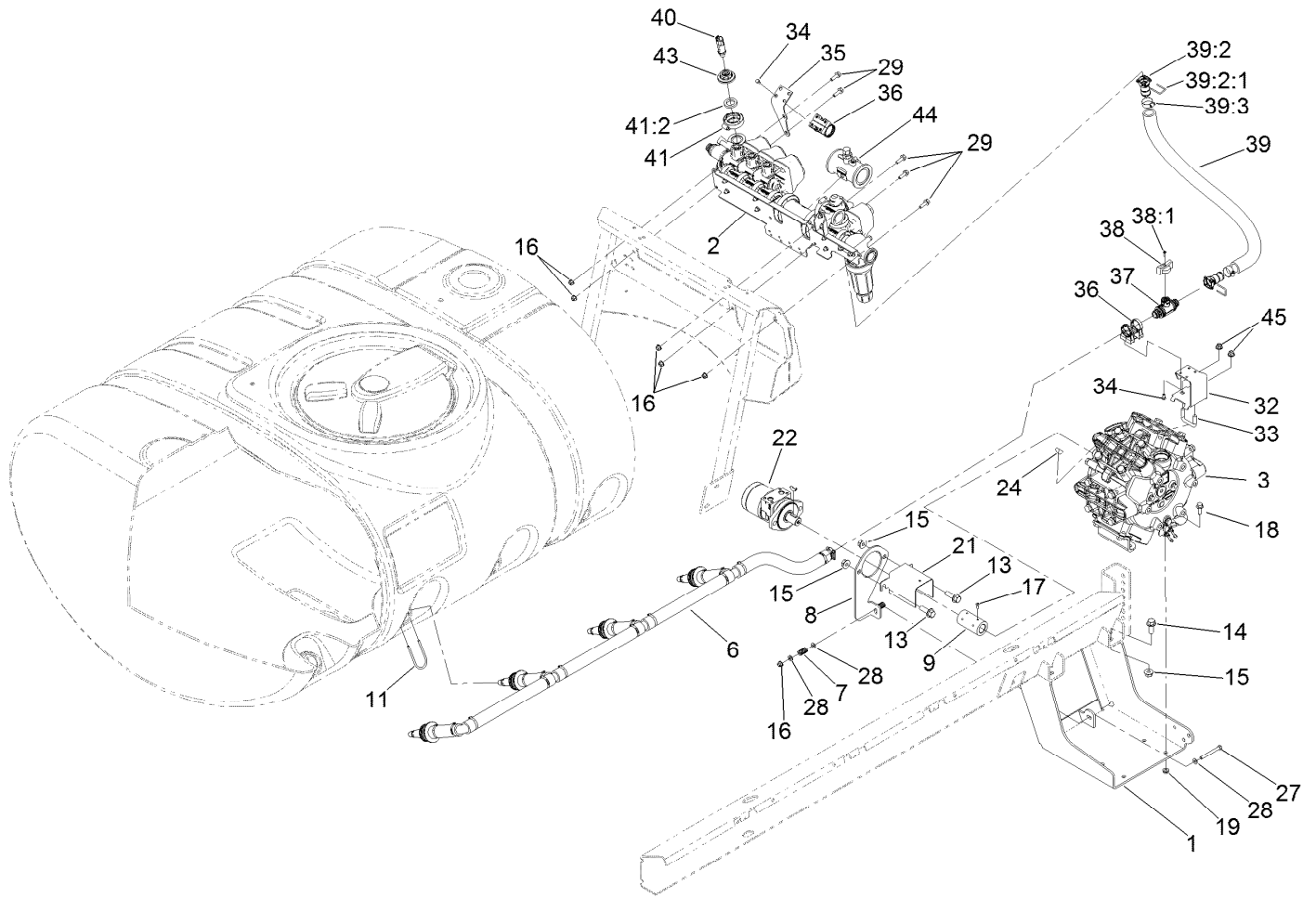
Ref.	Part Number	Qty.	Description
23	133-2882	1	O-Ring
24	133-2884	1	O-Ring
25	107-8650	2	Conduit-Convolutd
26	3290-378	5	Tie-Cable



Spray Pump and Valve Assembly

Ref.	Part Number	Qty.	Description	Ref.	Part Number	Qty.	Description
1	117-0655-03	1	Bracket-Pump	24	106-1990	1	Key-Woodruff
2		1	Spray Manifold ASM - Mp5800 ●	27	322-14	1	Screw-HH
3	145-3382	1	Pump ASM	28	3256-23	5	Washer-Plain
6	139-3093	1	Agitation Hose ASM	29	3234-29	5	Screw-HHF
7	110-5331	2	Spring-Compression	32	136-0376-03	1	Bracket-Valve, Agitation
8	117-8040-03	1	Plate-Mount, Motor	33	107-3073	1	U-Bolt
9	117-8045	1	Coupler	34	33113-012	8	Screw-HH
11	100-8635	4	Fork	35	136-2286-03	1	Mount-Plate, Support
13	100-6116	2	Screw-HHF	36	132-4302	2	Mount-Valve
14	110-5057	4	Capscrew-HHF	37	131-0249	1	On/Off 2-Way Valve Kit
15	108-3745	6	Nut-HHF, Whiz	38	131-0264	1	Agitation Throttling Handle Kit
16	104-8300	6	Nut-HF, NI	38:1	131-0263	1	Screw-Handle
17	3241-7	4	Screw-SQH	39	132-4310	1	Agitation Supply Hose ASM
18	3234-11	4	Screw-HHF	39:2	127-9806	2	Fitting Kit
19	3290-357	4	Nut-HSF	39:2:1	133-0398	1	Pin-Fork
21	120-0628-03	1	Guard-Shaft, Pump	39:3	2412-34	2	Clamp-Hose
22	117-0706	1	HYD Motor ASM	40	130-8202	1	Transducer-Pressure

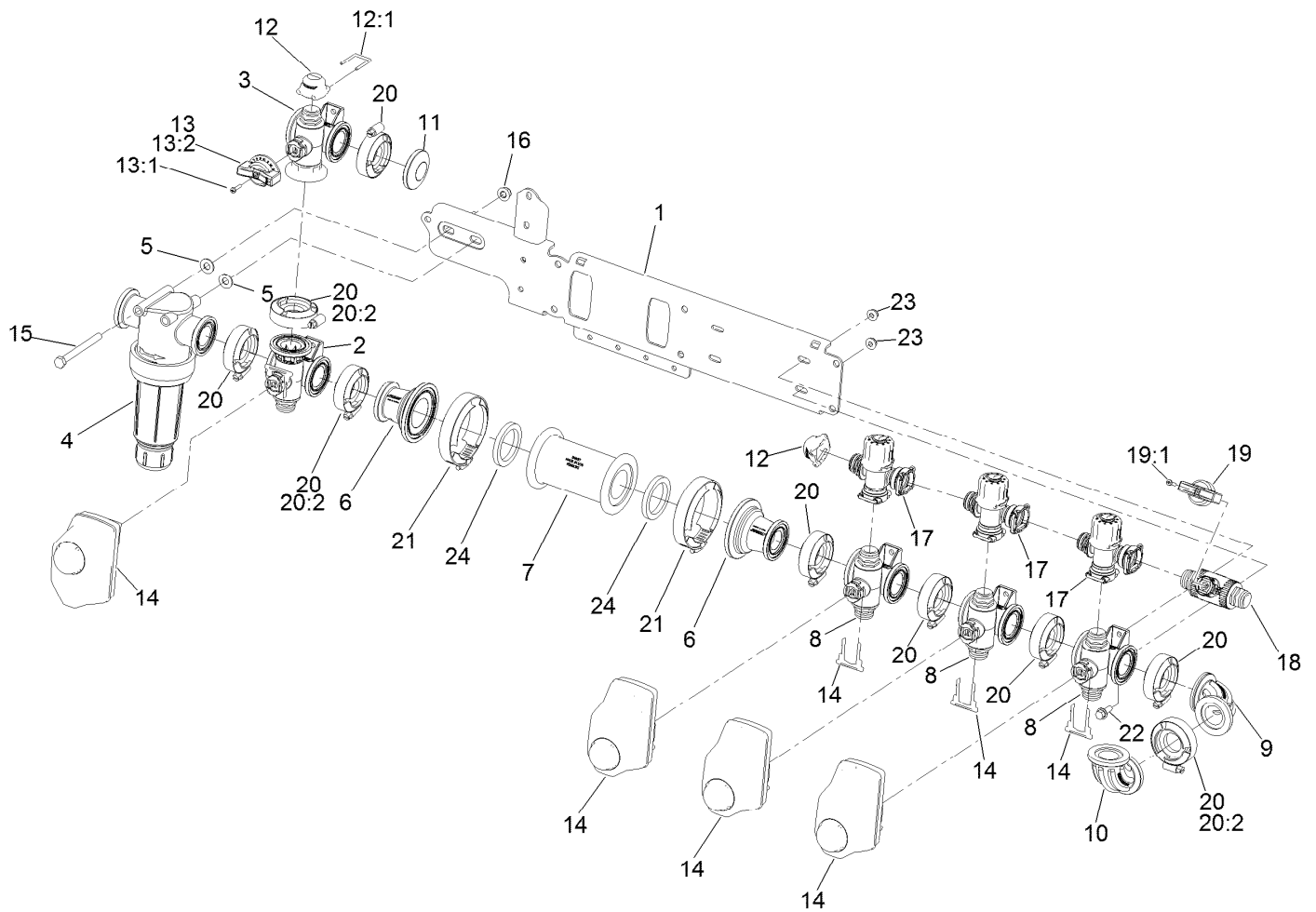
● Not serviced separately



Spray Pump and Valve Assembly (continued)

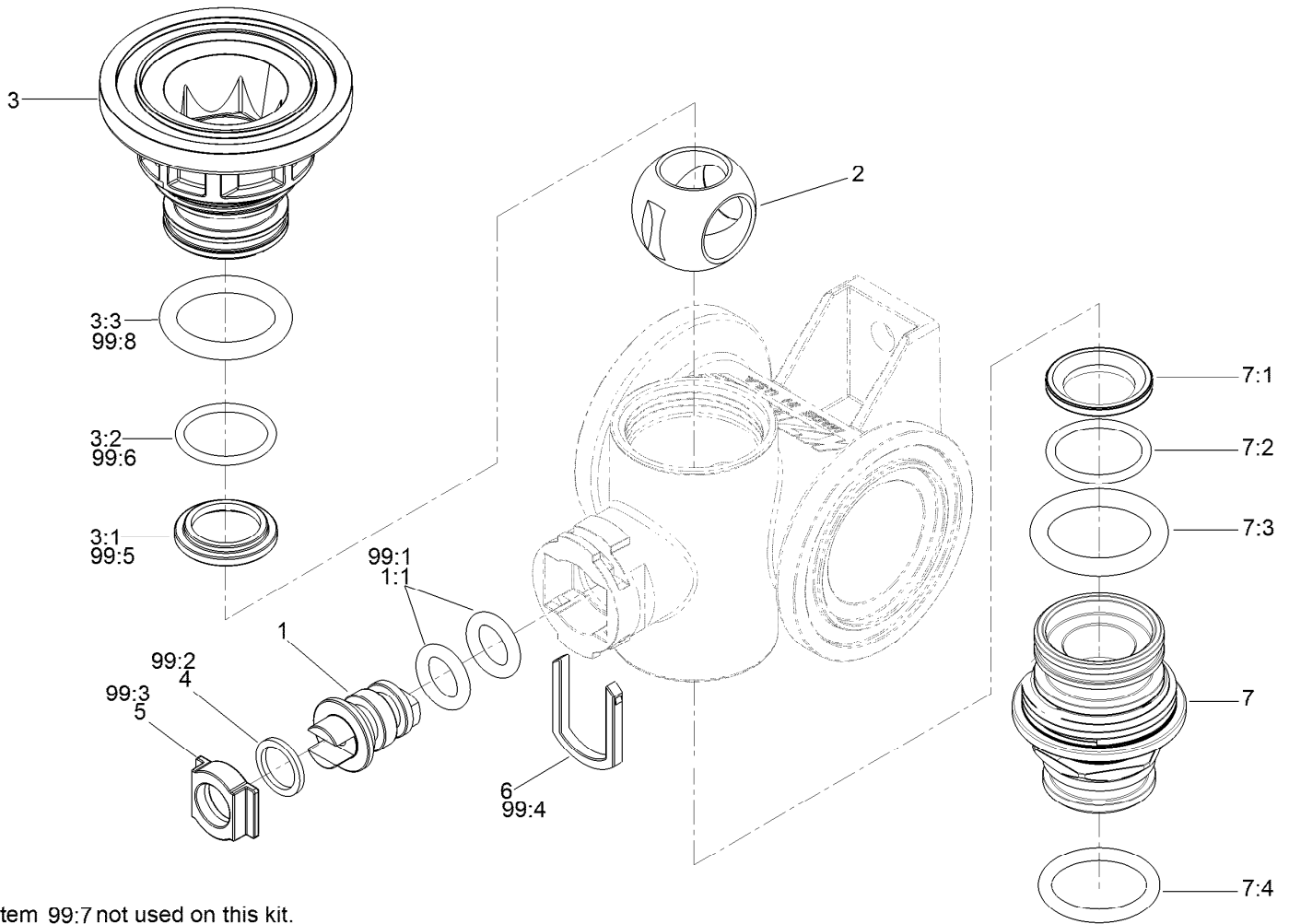
<i>Ref.</i>	<i>Part Number</i>	<i>Qty.</i>	<i>Description</i>	<i>Ref.</i>	<i>Part Number</i>	<i>Qty.</i>	<i>Description</i>
41	127-9829	1	Clamp/Gasket Kit	44	138-6128	1	Flow Meter ASM
41:2	127-1145	1	Gasket-Flange	45	104-8301	2	Nut-HF, NI
43	127-1185	1	Fitting-Cap, Port				

● Not serviced separately



Spray Manifold Assembly

<i>Ref.</i>	<i>Part Number</i>	<i>Qty.</i>	<i>Description</i>	<i>Ref.</i>	<i>Part Number</i>	<i>Qty.</i>	<i>Description</i>
1	133-2852	1	Mount-Valve	13:1	131-0263	1	Screw-Handle
2	131-7256	1	Manifold Valve Kit	13:2	127-1197	1	O-Ring-Stem
3	131-0253	1	Manifold Valve Kit	14	140-7377	4	Kit-Actuator Pi, On/Off
4	131-3791	1	Filter-Pressure	15	322-22	2	Screw-HH
5	107-0279	1	Washer	16	104-8300	2	Nut-HF, NI
6	127-1144	1	Fitting-Adapter	17	127-9805	3	Bypass Valve ASM
7	131-3739	1	Adapter	18	131-0249	1	On/Off 2-Way Valve Kit
8	127-9803	3	On/Off Manifold Valve Kit	19	131-0267	1	Bypass Handle Kit
9	131-3726	1	Fitting-Elbow, 90 DEG	19:1	131-0263	1	Screw-Handle
10	130-8297	1	Fitting-Elbow, Sweep	20	127-9829	9	Clamp/Gasket Kit
11	127-9815	1	Fitting-Cap	20:2	127-1145	1	Gasket-Flange
12	127-9811	2	Fitting-Cap, Female	21	104-9089	2	Clamp-Screw, Worm
12:1	133-0398	1	Pin-Fork	22	3234-4	8	Screw-HHF
13	131-0265	1	Agitation Regulating Handle Kit	23	104-7201	8	Nut-HF, NI
				24	104-9090	2	Gasket

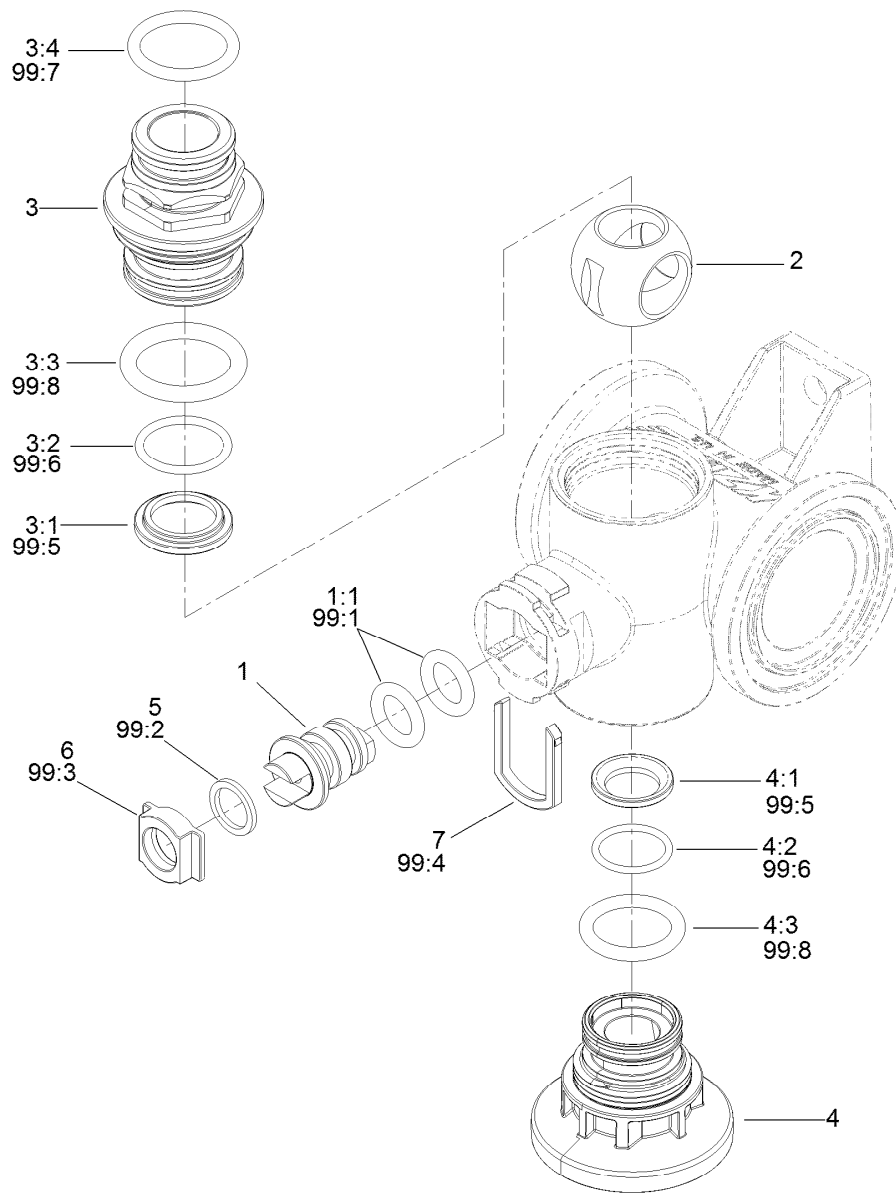


Item 99:7 not used on this kit.

Manifold Valve Kit No. 131-7256

Ref.	Part Number	Qty.	Description	Ref.	Part Number	Qty.	Description
1	130-8248	1	Valve Stem Kit	7:2	127-1188	1	O-Ring, Seat (Ball)
1:1	127-1197	2	O-Ring-Stem	7:3	127-1189	1	O-Ring, Endcap
2	127-1194	1	Ball-Valve, 3Way	7:4	127-1187	1	O-Ring, Endcap
3	130-8249	1	Endcap Kit	99	130-7304	1	Valve Repair Kit ●
3:1	127-1192	1	Seat-Ball	99:1	127-1197	2	O-Ring-Stem
3:2	127-1188	1	O-Ring, Seat (Ball)	99:2	127-1196	2	Washer-Stem, Valve
3:3	127-1189	1	O-Ring, Endcap	99:3	127-1195	1	Seat-Stem, Valve
4	127-1196	1	Washer-Stem, Valve	99:4	127-1190	1	Fork-Stem, Valve
5	127-1195	1	Seat-Stem, Valve	99:5	127-1192	2	Seat-Ball
6	127-1190	1	Fork-Stem, Valve	99:6	127-1188	2	O-Ring, Seat (Ball)
7	130-7317	1	Endcap Kit	99:7	127-1187	2	O-Ring, Endcap
7:1	127-1192	1	Seat-Ball	99:8	127-1189	2	O-Ring, Endcap

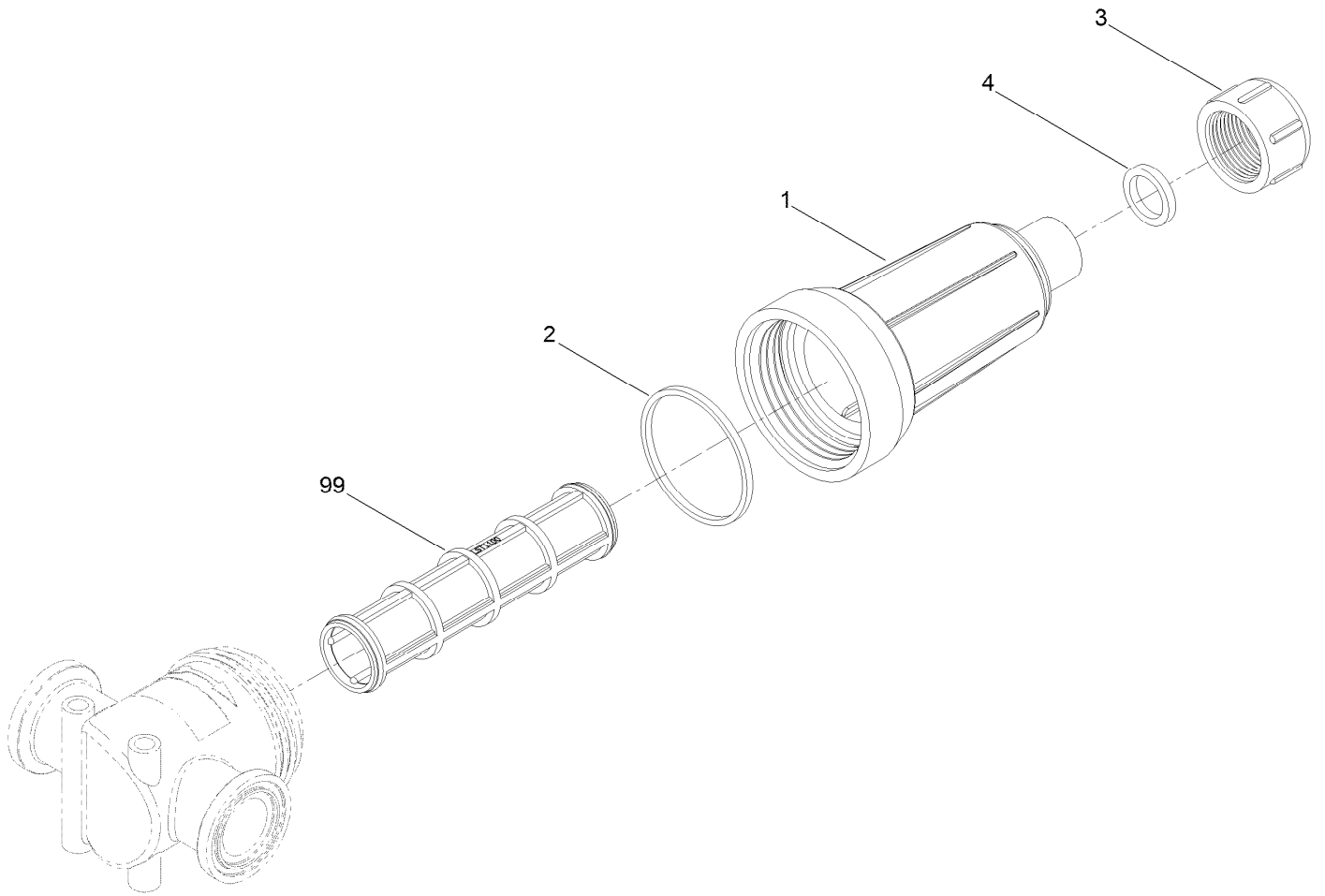
● Not illustrated



Manifold Valve Kit No. 131-0253

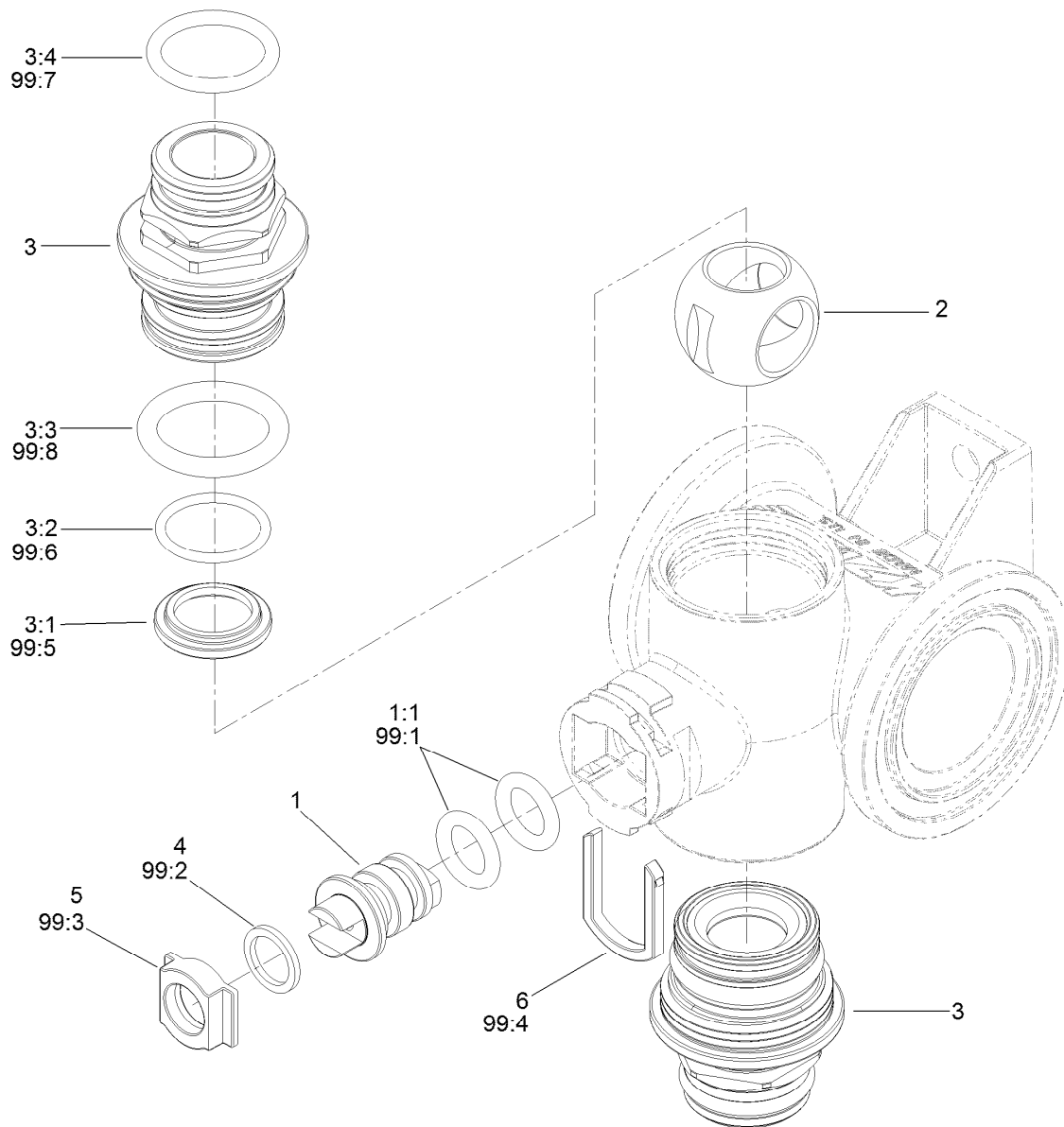
<i>Ref.</i>	<i>Part Number</i>	<i>Qty.</i>	<i>Description</i>	<i>Ref.</i>	<i>Part Number</i>	<i>Qty.</i>	<i>Description</i>
1	130-8248	1	Valve Stem Kit	5	127-1196	1	Washer-Stem, Valve
1:1	127-1197	2	O-Ring-Stem	6	127-1195	1	Seat-Stem, Valve
2	127-1113	1	Ball-V	7	127-1190	1	Fork-Stem, Valve
3	130-7317	1	Endcap Kit	99	130-7304	1	Valve Repair Kit ●
3:1	127-1192	1	Seat-Ball	99:1	127-1197	2	O-Ring-Stem
3:2	127-1188	1	O-Ring, Seat (Ball)	99:2	127-1196	2	Washer-Stem, Valve
3:3	127-1189	1	O-Ring, Endcap	99:3	127-1195	1	Seat-Stem, Valve
3:4	127-1187	1	O-Ring, Endcap	99:4	127-1190	1	Fork-Stem, Valve
4	130-8249	1	Endcap Kit	99:5	127-1192	2	Seat-Ball
4:1	127-1192	1	Seat-Ball	99:6	127-1188	2	O-Ring, Seat (Ball)
4:2	127-1188	1	O-Ring, Seat (Ball)	99:7	127-1187	2	O-Ring, Endcap
4:3	127-1189	1	O-Ring, Endcap	99:8	127-1189	2	O-Ring, Endcap

● Not illustrated



Pressure Filter Assembly No. 131-3791

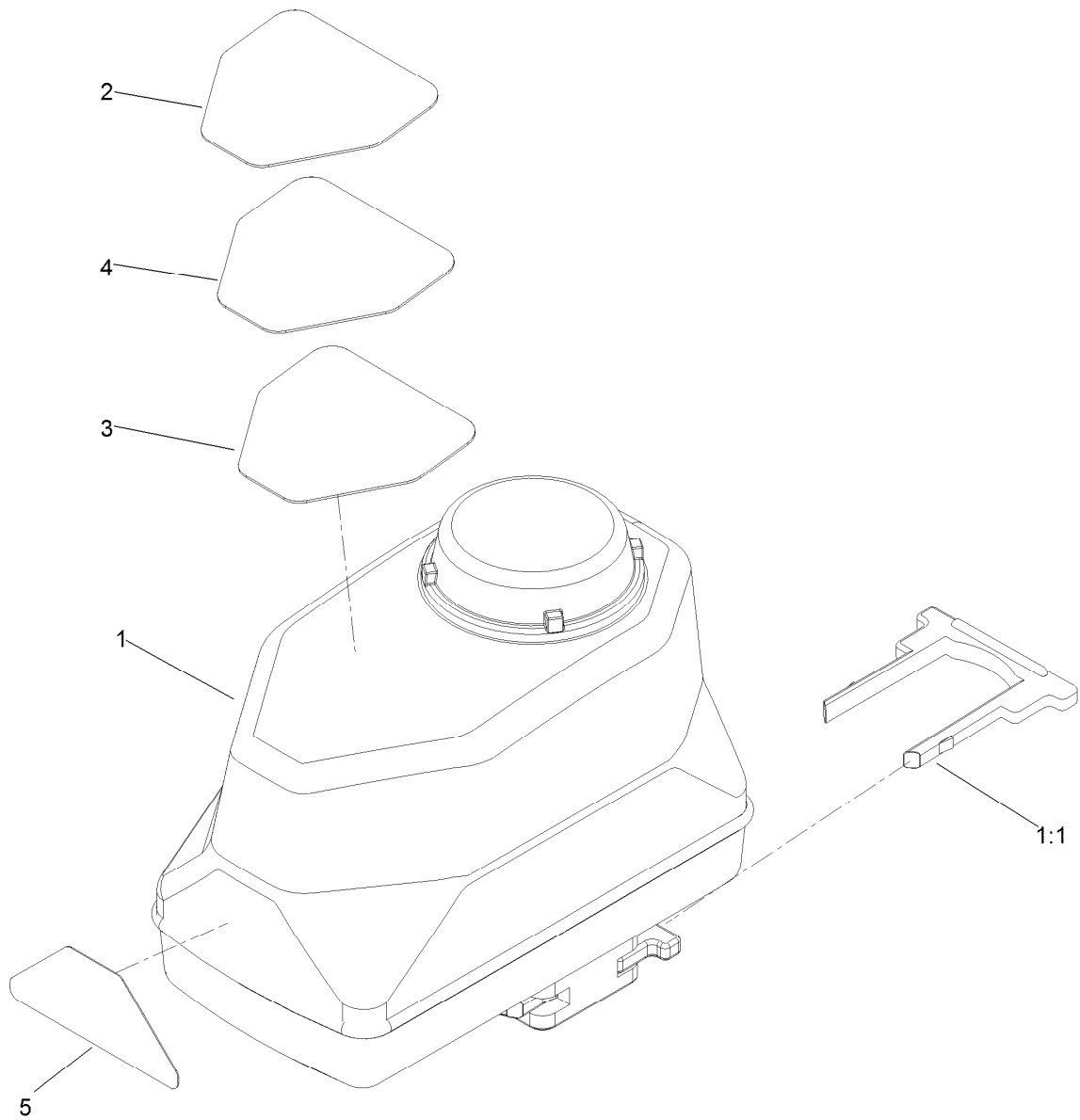
<i>Ref.</i>	<i>Part Number</i>	<i>Qty.</i>	<i>Description</i>
1	136-0397	1	Bowl-Strainer
2	136-0398	1	Rubber-Gasket
3	136-0410	1	Strainer Cap
4	136-0399	1	Rubber-Gasket
99	133-0384	1	Screen-Teejet, 30 Mesh
99	133-0385	1	Screen-Teejet, 50 Mesh
99	133-0386	1	Screen-Teejet, 80 Mesh
99	133-0387	1	Screen-Teejet, 100 Mesh



On/Off Manifold Valve Kit No. 127-9803

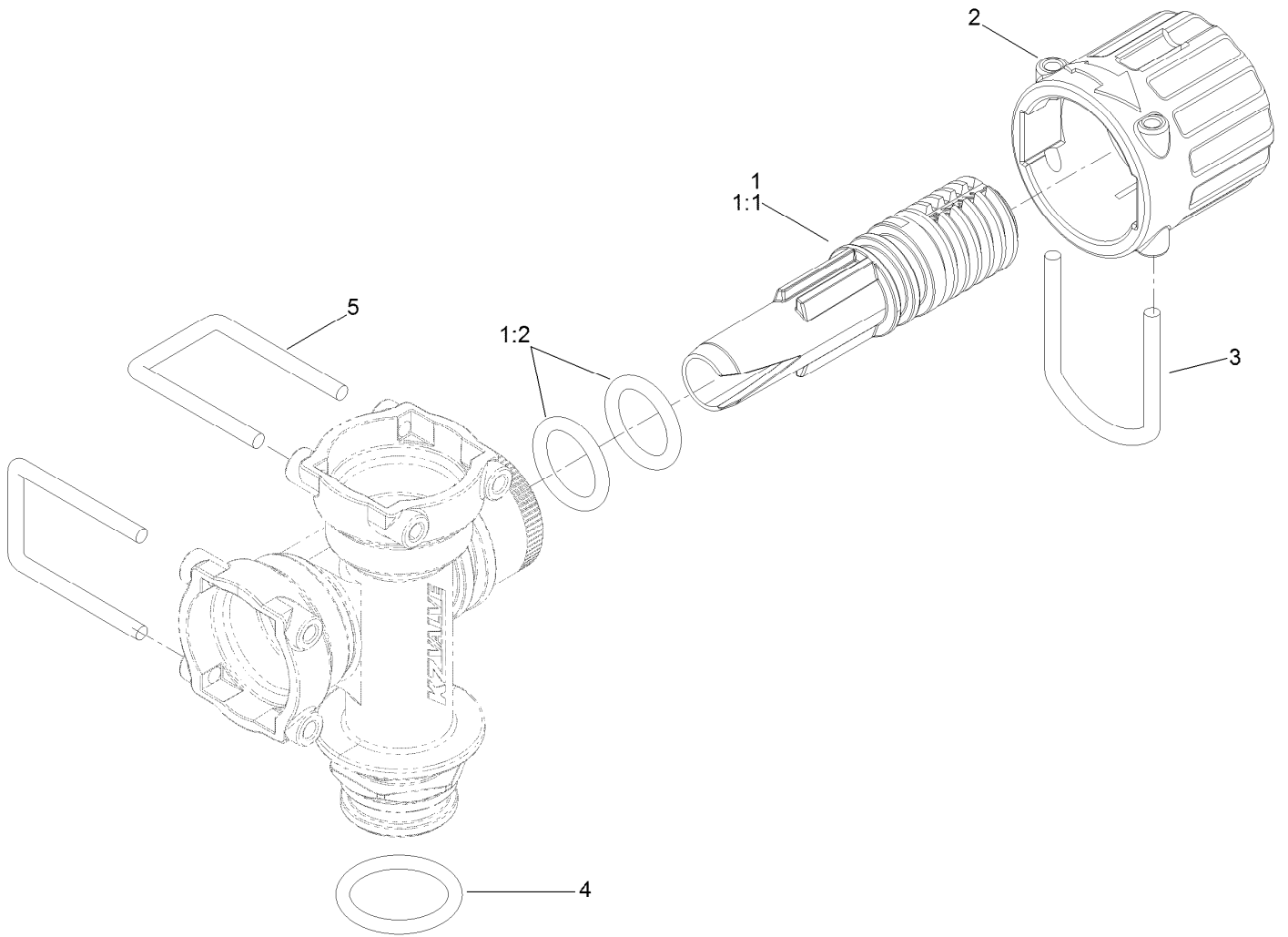
<i>Ref.</i>	<i>Part Number</i>	<i>Qty.</i>	<i>Description</i>	<i>Ref.</i>	<i>Part Number</i>	<i>Qty.</i>	<i>Description</i>
1	130-8248	1	Vavle Stem Kit	6	127-1190	1	Fork-Stem, Valve
1:1	127-1197	2	O-Ring-Stem	99	130-7304	1	Valve Repair Kit ●
2	127-1194	1	Ball-Valve, 3Way	99:1	127-1197	2	O-Ring-Stem
3	130-7317	2	Endcap Kit	99:2	127-1196	2	Washer-Stem, Valve
3:1	127-1192	1	Seat-Ball	99:3	127-1195	1	Seat-Stem, Valve
3:2	127-1188	1	O-Ring, Seat (Ball)	99:4	127-1190	1	Fork-Stem, Valve
3:3	127-1189	1	O-Ring, Endcap	99:5	127-1192	2	Seat-Ball
3:4	127-1187	1	O-Ring, Endcap	99:6	127-1188	2	O-Ring, Seat (Ball)
4	127-1196	1	Washer-Stem, Valve	99:7	127-1187	2	O-Ring, Endcap
5	127-1195	1	Seat-Stem, Valve	99:8	127-1189	2	O-Ring, Endcap

● Not illustrated



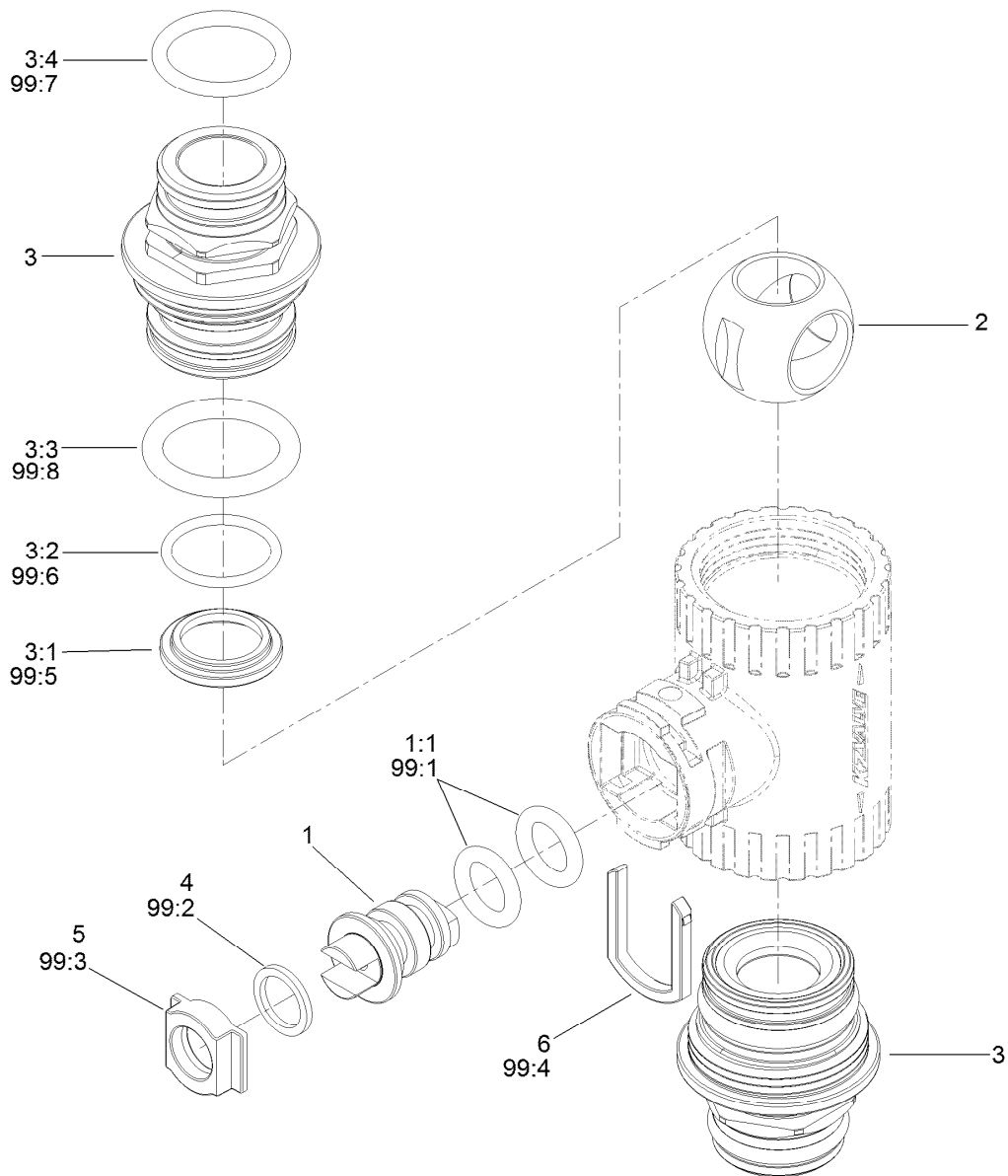
Actuator On/Off Assembly No. 140-7377

<i>Ref.</i>	<i>Part Number</i>	<i>Qty.</i>	<i>Description</i>
1	140-7315	1	Actuator - On/Off
1:1	130-7301	1	Hairpin-Actuator
2	127-6979	1	Decal-Valve, Agitation
3	127-6981	1	Decal-Valve, On/Off
4	127-6982	1	Decal-Valve, Master Boom
5	127-6976	1	Decal-Valve, Bypass Adjust



Bypass Valve Assembly No. 127-9805

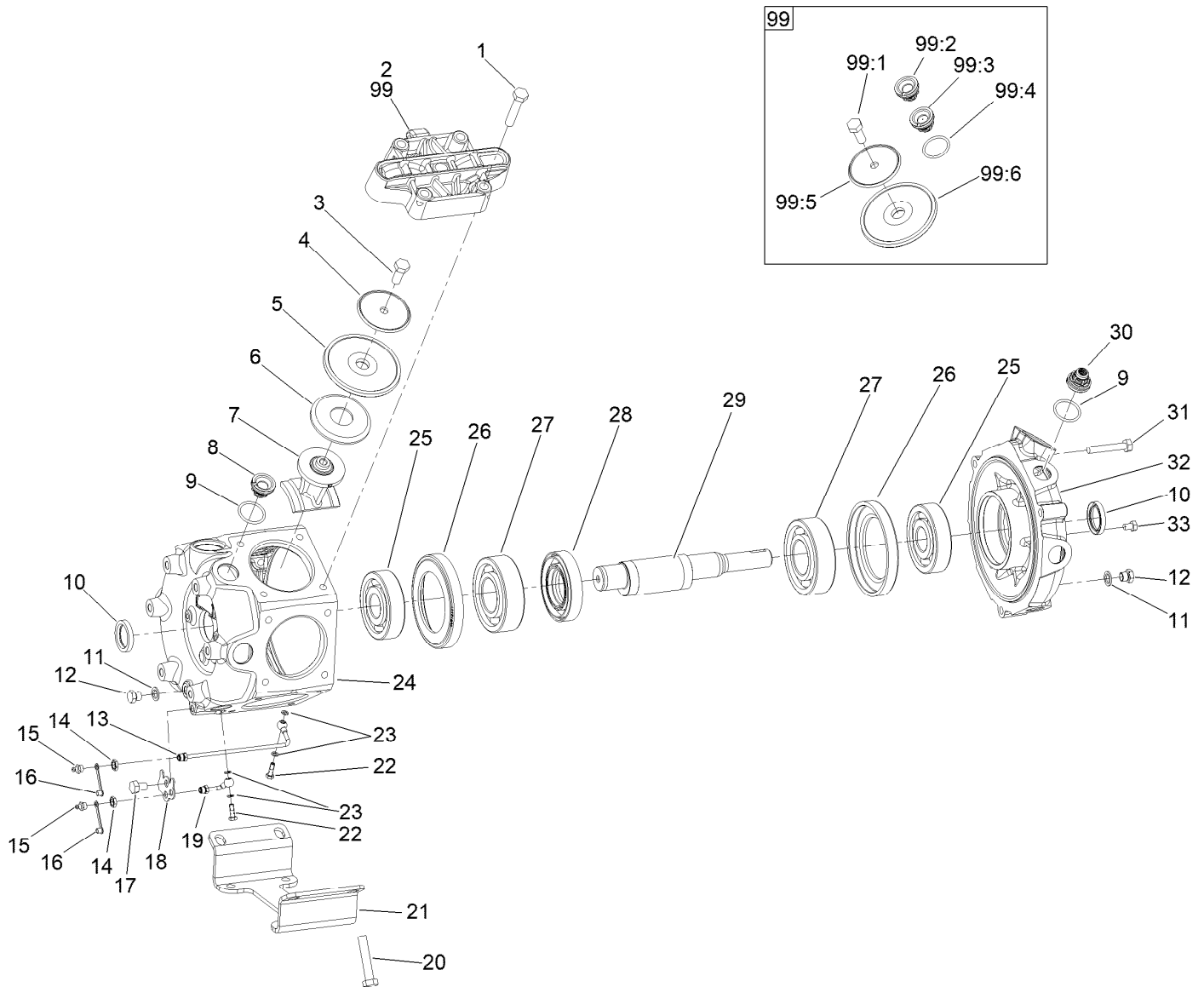
<i>Ref.</i>	<i>Part Number</i>	<i>Qty.</i>	<i>Description</i>
1	131-0298	1	Bypass Needle Kit
1:1	127-1182	1	Needle-Bypass
1:2	127-1181	2	Oring-Bypass Needle
2	127-1180	1	Knob-Bypass
3	127-1179	1	Fork-Bypass Knob
4	127-1187	1	O-Ring, Endcap
5	133-0398	2	Pin-Fork



On/Off 2-Way Valve Kit No. 131-0249

<i>Ref.</i>	<i>Part Number</i>	<i>Qty.</i>	<i>Description</i>	<i>Ref.</i>	<i>Part Number</i>	<i>Qty.</i>	<i>Description</i>
1	130-8248	1	Valve Stem Kit	6	127-1190	1	Fork-Stem, Valve
1:1	127-1197	2	O-Ring-Stem	99	130-7304	1	Valve Repair Kit ●
2	131-0252	1	Ball-2-Way	99:1	127-1197	2	O-Ring-Stem
3	130-7317	2	Endcap Kit	99:2	127-1196	2	Washer-Stem, Valve
3:1	127-1192	1	Seat-Ball	99:3	127-1195	1	Seat-Stem, Valve
3:2	127-1188	1	O-Ring, Seat (Ball)	99:4	127-1190	1	Fork-Stem, Valve
3:3	127-1189	1	O-Ring, Endcap	99:5	127-1192	2	Seat-Ball
3:4	127-1187	1	O-Ring, Endcap	99:6	127-1188	2	O-Ring, Seat (Ball)
4	127-1196	1	Washer-Stem, Valve	99:7	127-1187	2	O-Ring, Endcap
5	127-1195	1	Seat-Stem, Valve	99:8	127-1189	2	O-Ring, Endcap

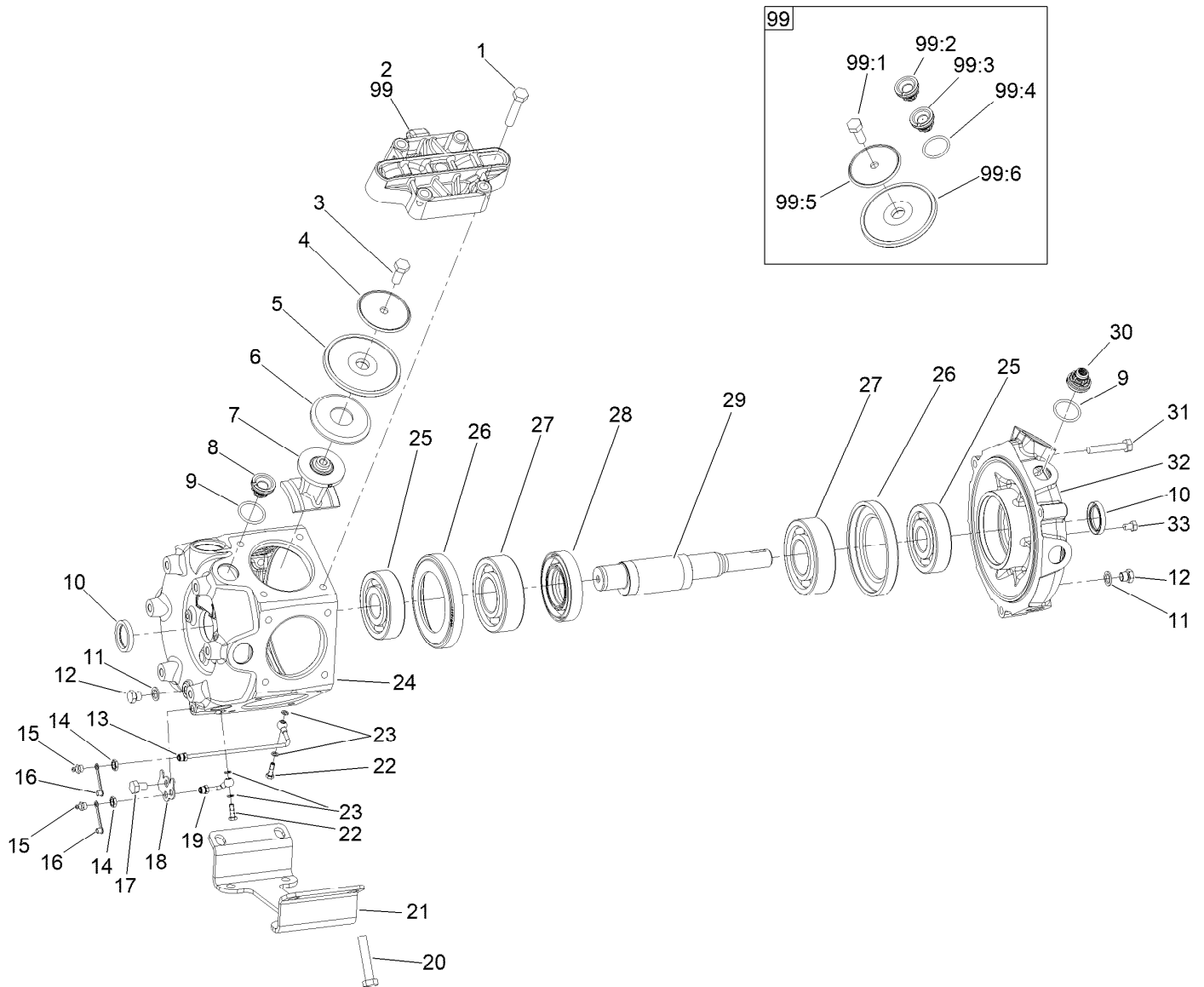
● Not illustrated



Pump Assembly No. 145-3382

Ref.	Part Number	Qty.	Description	Ref.	Part Number	Qty.	Description
1	120-0773	20	Bolt-Hex	19	133-2876	1	Tube-Banjo, Short
2		6	Cover-Pump, S/S ●	20	120-0774	4	Bolt-Hex
3	120-0777	6	Bolt-Hex	21	120-0787	1	Foot-Pump
4	120-0778	6	Disc-Diaphragm	22	133-2830	2	Bolt-Banjo
5	120-0779	6	Diaphragm	23	136-2251	4	Gasket
6	120-0780	6	Disc-Backing, Diaphragm	24	133-2821	1	Housing-Pump, Main
7	120-0781	6	Rod-Connecting	25	120-0788	2	Bearing-Ball
8	99-0861	10	Valve-Pump	26	133-2820	2	Spacer-Metal
9	100-6651	12	O-Ring	27	120-0791	2	Bearing-Ball
10	120-0783	2	Seal-Oil	28	133-2827	1	Distance Ring
11	120-0786	2	Seal	29	133-2825	1	Shaft-Crank
12	120-0785	2	Plug	30	120-0793	2	Valve W/Hole
13	133-2877	1	Tube-Banjo, Long	31	120-0794	3	Bolt-Hex
14	133-2878	2	Nut	32	133-2822	1	Housing-Pump, Front
15	133-2879	2	Nipple-Grease	33	120-0784	4	Bolt-Hex
16	133-2880	2	Cap-Grease Nipple, Yellow	99	145-3399	1	Pump Head Kit
17	136-2252	1	Bolt-Hex	99	120-0796	1	Pump Kit
18	133-2875	1	Plate-Nipple, Grease	99:1	120-0777	6	Bolt-Hex

● Not serviced separately

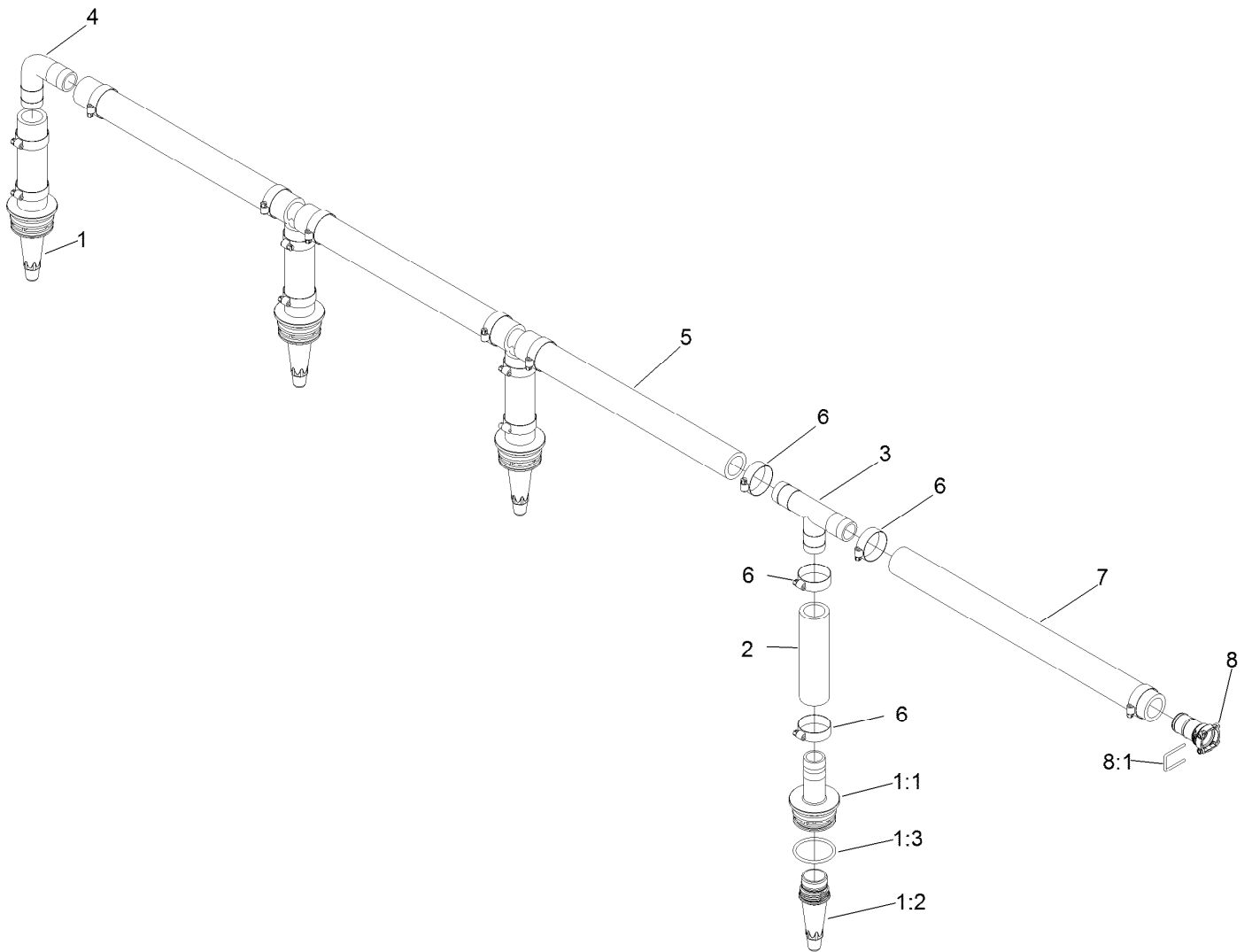


Pump Assembly No. 145-3382 (continued)

Ref.	Part Number	Qty.	Description
99:2	99-0861	10	Valve-Pump
99:3	120-0793	2	Valve W/Hole
99:4	100-6651	12	O-Ring

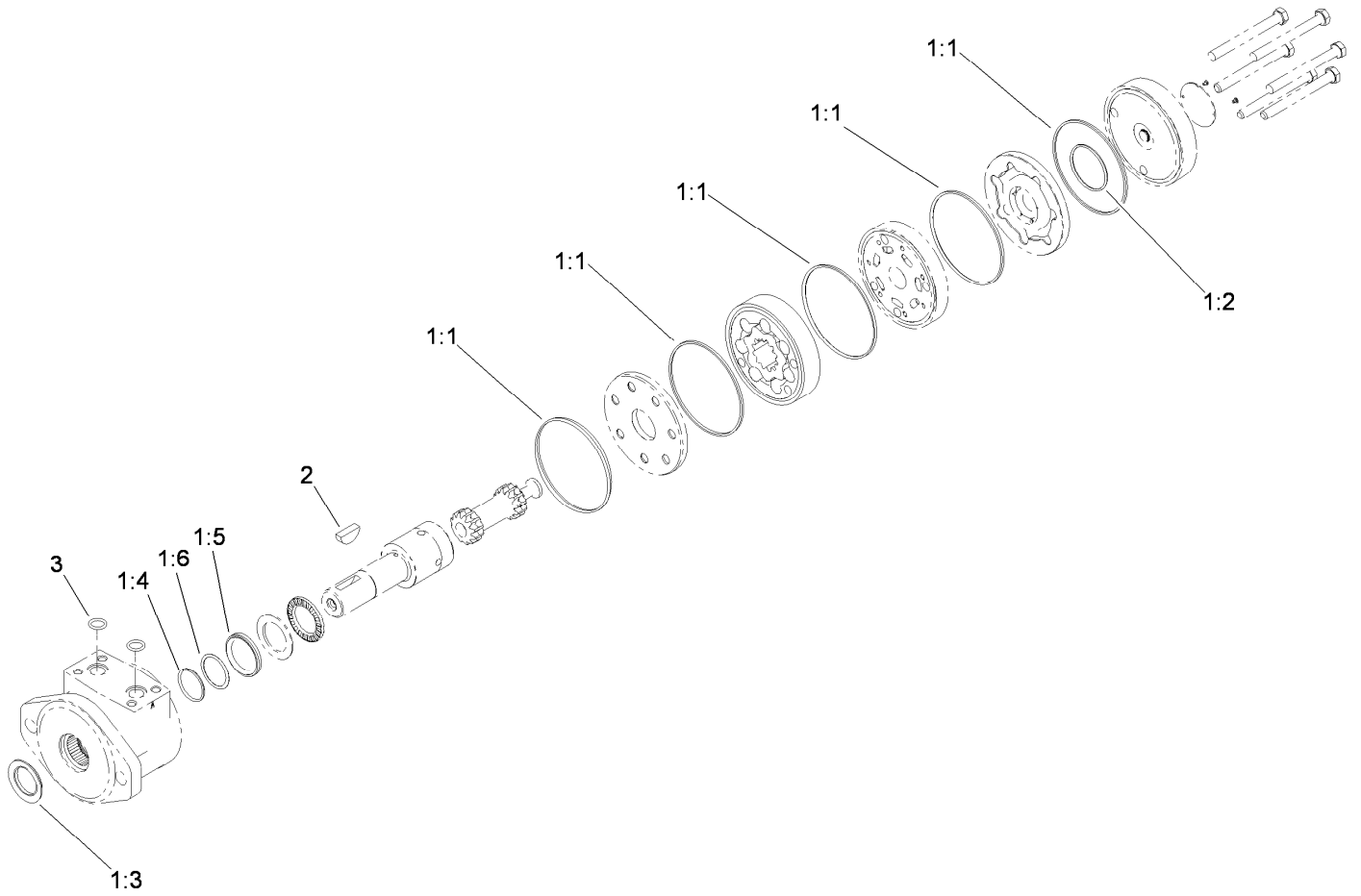
Ref.	Part Number	Qty.	Description
99:5	120-0778	6	Disc-Diaphragm
99:6	120-0779	6	Diaphragm

● Not serviced separately



Agitation Hose Assembly No. 139-3093

Ref.	Part Number	Qty.	Description
1	131-3731	4	Agitation Nozzle ASM
1:1	131-3732	1	Fitting-Barb
1:2	120-8579	1	Nozzle-Agitation
1:3	121-4996	1	O-Ring
2	119-0441	4	Hose-Agitaiton
3	117-7866	3	Tee-Hosebarb
4	117-7867	1	Elbow-Hosebarb
5	117-7862	3	Hose-Main Agitation
6	2412-34	16	Clamp-Hose
7	137-4181	1	Hose-Agitation
8	127-9806	1	Fitting Kit
8:1	133-0398	1	Pin-Fork

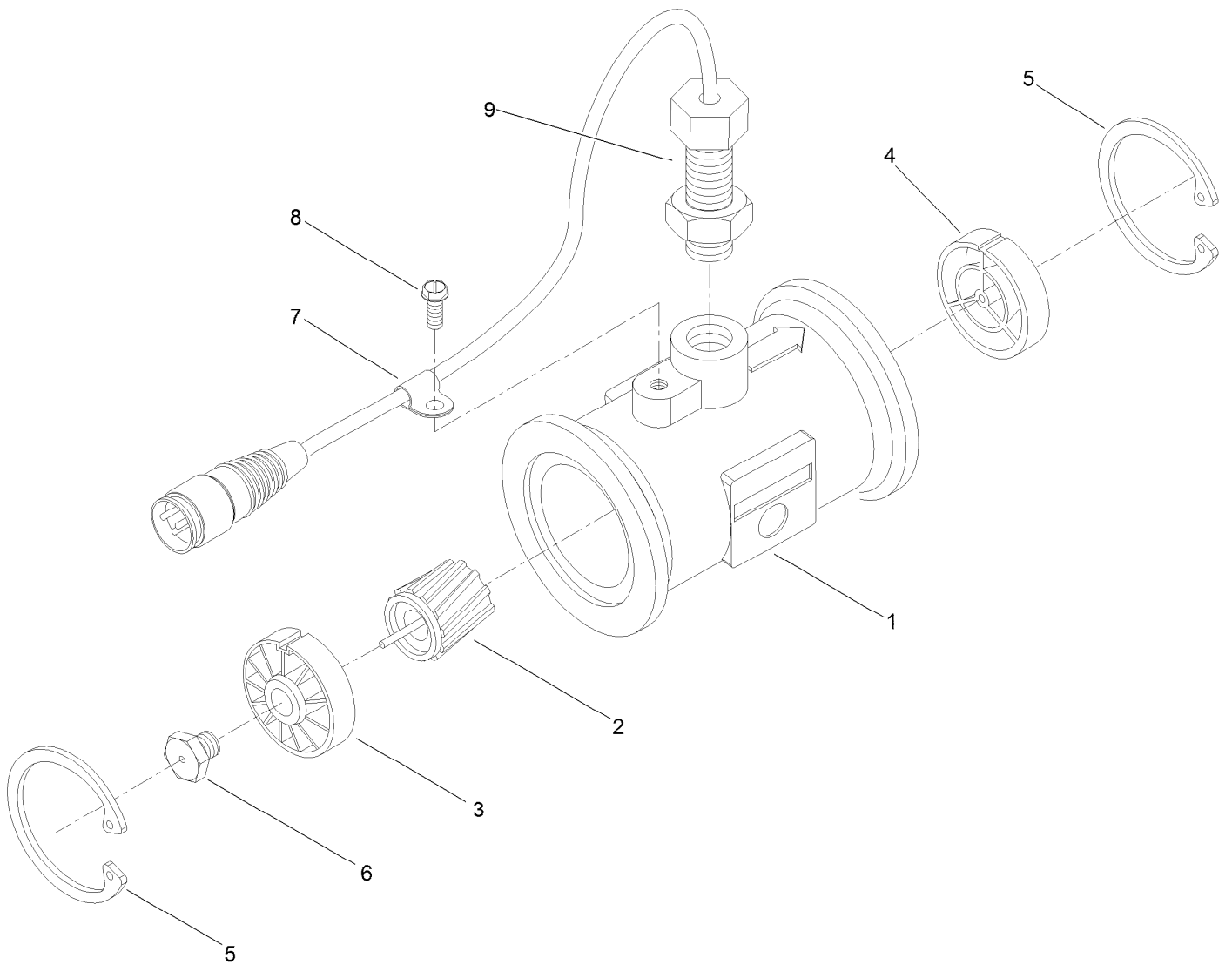


Hydraulic Motor Assembly No. 117-0706

Ref.	Part Number	Qty.	Description
1	119-0433	1	Wheel Motor Seal Kit ●
1:1		5	Seal-Ring ■
1:2		1	Seal-Commutator ■
1:3		1	Seal-Dirt And Water ■
1:4		1	Ring-Backing ■
1:5		1	Seal-Shaft ■
1:6		1	Washer-Backup ■
2	3257-8	1	Key-Woodruff
3	120-0691	2	O-Ring

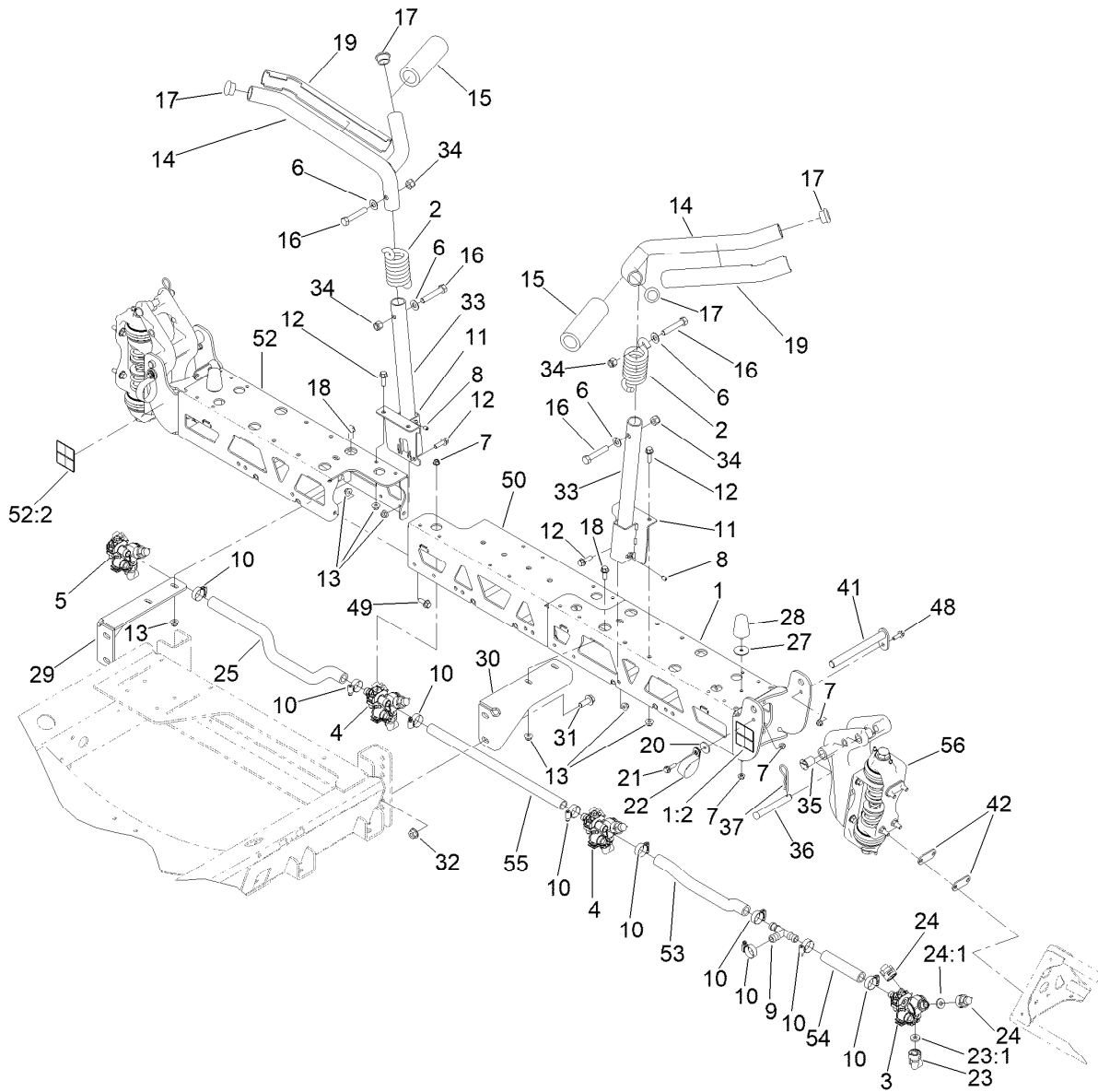
● Not illustrated

■ Not serviced separately



Flow Meter Assembly No. 138-6128

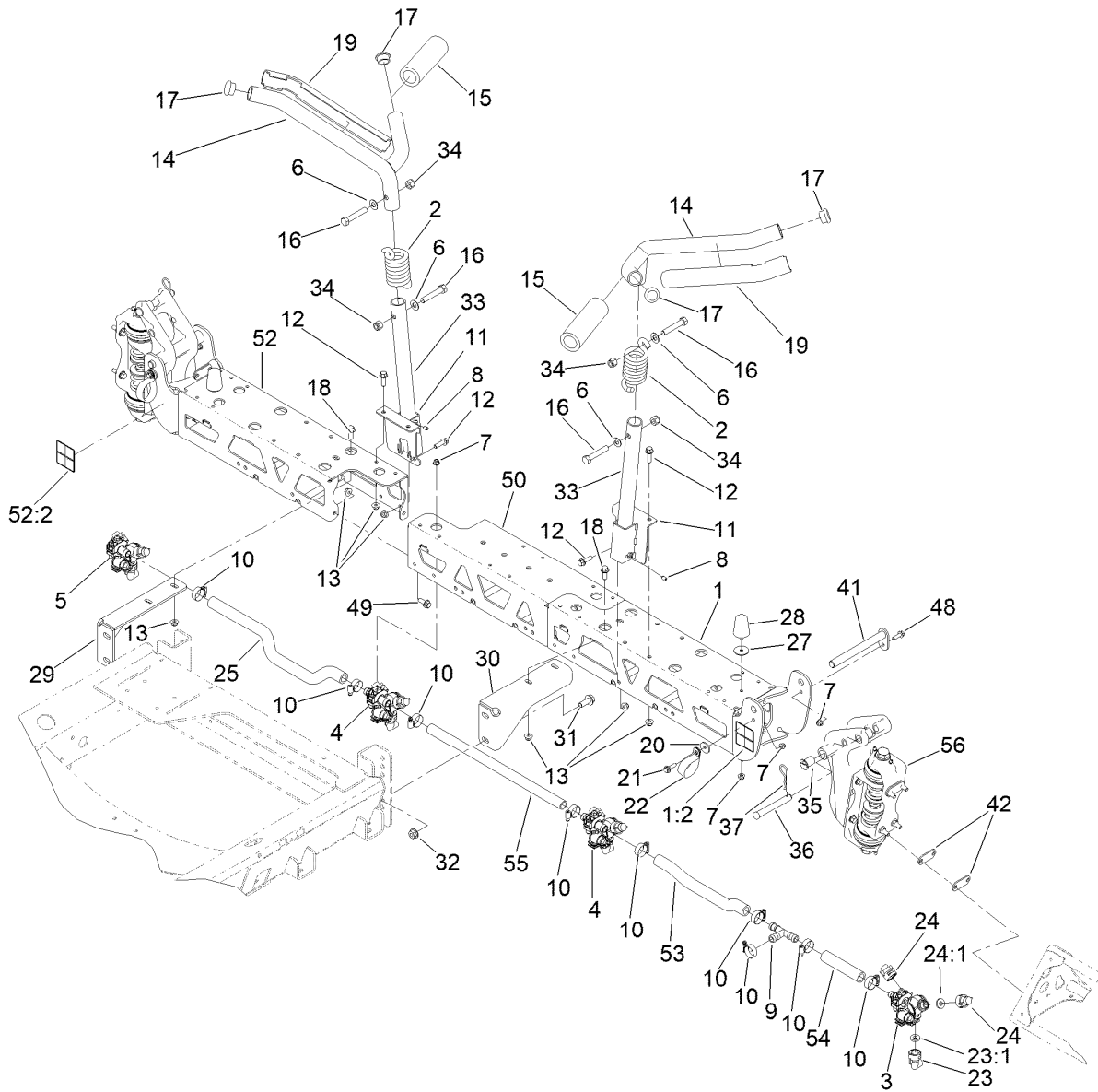
<i>Ref.</i>	<i>Part Number</i>	<i>Qty.</i>	<i>Description</i>
1	106-1042	1	Body-Meter, Flow
2	104-9059	1	Rotor / Magnet ASM
3	104-9060	1	Upstream Hub And Bearing ASM
4	104-9061	1	Downstream Hub ASM
5	104-9062	2	Ring-Retaining, Internal
6	42480	1	Stud-Turbine (W / Bearing)
7	104-9063	1	Clamp-Cable
8	104-9064	1	Screw-HWHTF
9	138-6129	1	Sensor-Meter, Flow



Center Boom Assembly

Ref.	Part Number	Qty.	Description	Ref.	Part Number	Qty.	Description
1	136-0381	1	Boom-LH	17	108-3489	4	Cap-Tube
1:2	120-0617	2	Decal-Warning, Pinch, Crush	18	110-5052	4	Screw-HHF
2	144-6199	2	Spring-Extension	19	108-3495	2	Cover-Slide
3	108-3725	1	LH Single Body Turret ASM	20	108-3743	2	Washer
4	108-3727	2	Double Turret Body ASM	21	108-3744	2	Screw-Shoulder
5	108-3726	1	RH Single Body Turret ASM	22	114-9566	2	Clamp-R
6	110-6894	4	Washer-Pivot	23	95-9186	4	Cap
7	104-8300	10	Nut-HF, NI	23:1	40998	1	Seat-Gasket
8	3246-4	4	Screw-Set	24	95-9187	8	Cap-Blank
9	108-3439	1	Tee	24:1	40998	1	Seat-Gasket
10	2412-129	9	Clamp-Hose	25	108-3735	1	Hose-Boom, Center (LH)
11	144-6198-03	2	Cradle-ASM, Lower [black]	27	3256-68	2	Washer-Flat
12	110-5050	6	Screw-HHF	28	110-5070	2	Bumper
13	104-8301	30	Nut-HF, NI	29	127-8955-03	1	Mount-Boom
14	140-7337-03	2	Craddle ASM-Upper	30	127-8956-03	1	Mount-Boom
15	108-3457	2	Spacer	31	110-5057	4	Capscrew-HHF
16	3213-8	4	Screw-HH	32	108-3745	4	Nut-HHF, Whiz
				33	144-6201-03	2	Tube-Lower Cradle

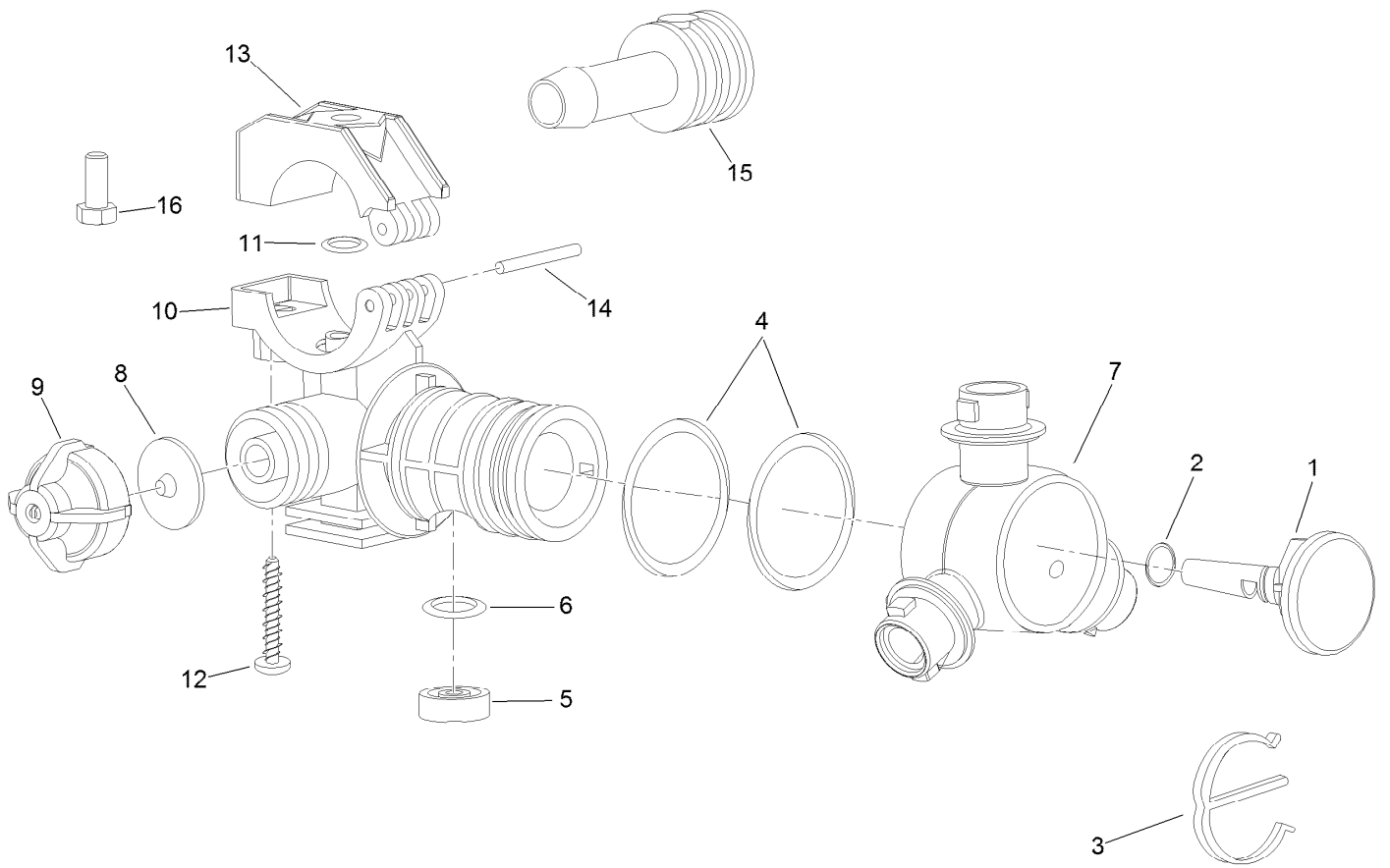
● Not serviced separately



Center Boom Assembly (continued)

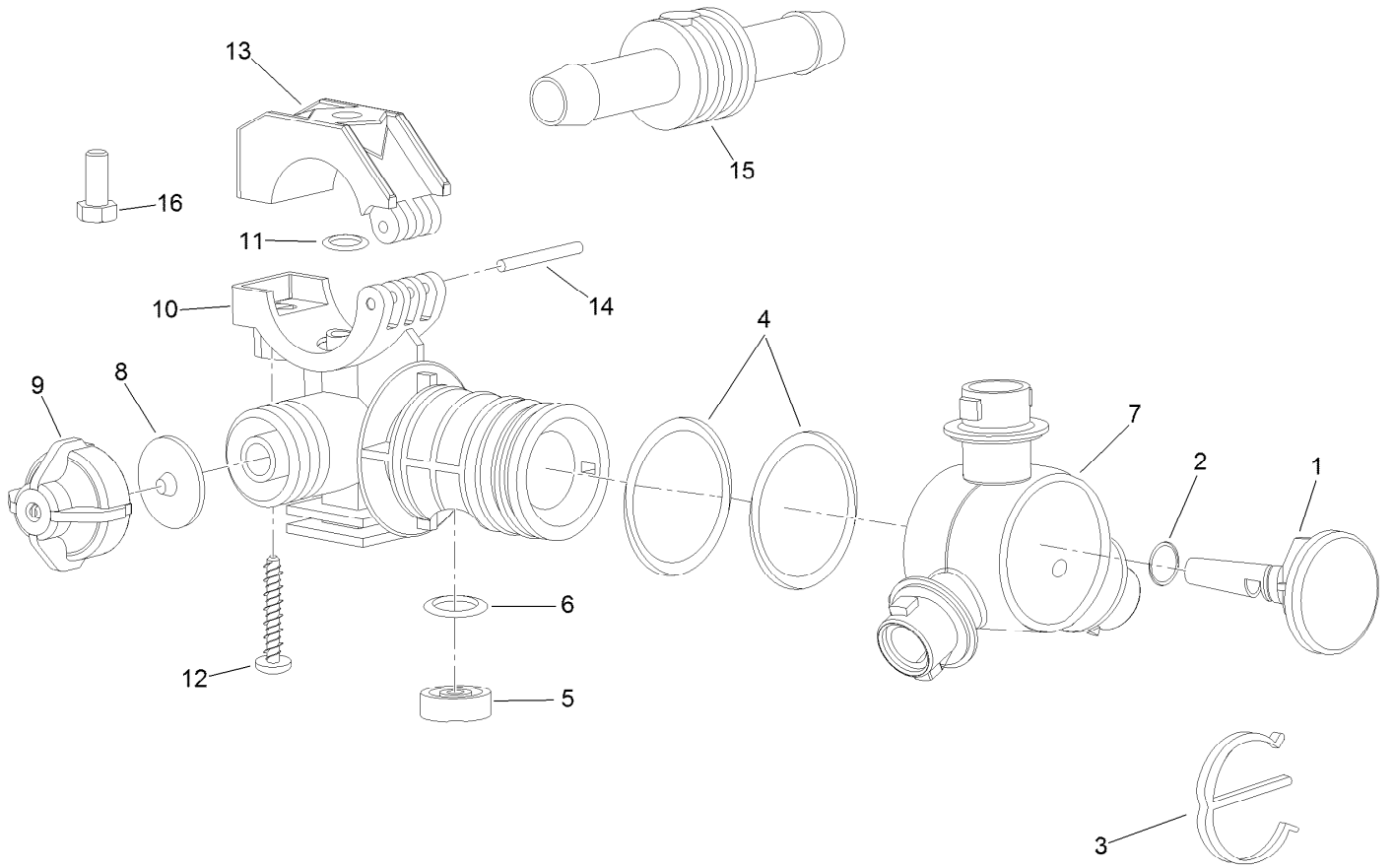
Ref.	Part Number	Qty.	Description	Ref.	Part Number	Qty.	Description
34	3296-19	4	Nut-Hex	50	133-0412-03	1	Center-Center, Boom
35	100-8541	4	Bushing-A Arm	52	136-0382	1	Boom-RH
36	108-3436	2	Pin-Clevis	52:2	120-0617	2	Decal-Warning, Pinch, Crush
37	3290-468	2	Pin-Cotter	53	136-0438	1	Hose-Formed
41	108-3419	2	Pivot Pin ASM	54	108-3728	1	Hose-Boom
42	108-3605	8	Plate-Backing	55	40506	1	Hose-Jumper
48	108-3748	2	Screw-HHF	56		2	Pivot Bracket Assembly ●
49	3234-42	4	Screw-HHF				

● Not serviced separately



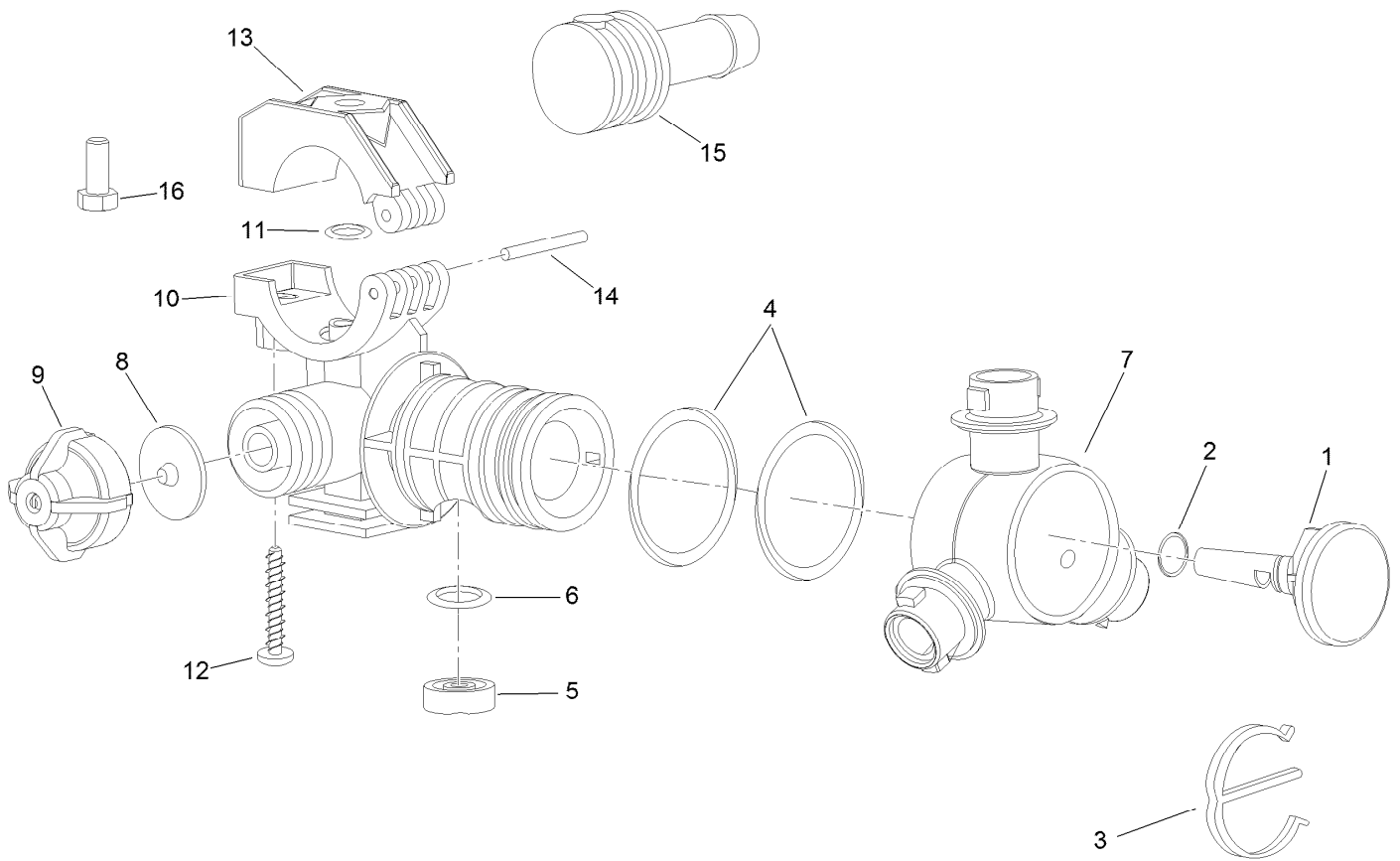
RH Single Body Turret Assembly No. 108-3726

<i>Ref.</i>	<i>Part Number</i>	<i>Qty.</i>	<i>Description</i>	<i>Ref.</i>	<i>Part Number</i>	<i>Qty.</i>	<i>Description</i>
1	95-9200	1	Plug	9	95-9193	1	Cap-Diaphragm
2	95-9198	1	O-Ring	10	95-9192	1	Body-Split Eyelet
3	95-9197	1	E-Clip	11	95-9191	1	O-Ring
4	95-9199	2	O-Ring	12	99-0811	1	Screw-Clamp
5	108-3264	1	Seal-Viton	13	99-0812	1	Clamp-Upper
6	108-3265	1	O-Ring-Viton	14	99-0814	1	Pin-Pivot
7	95-9196	1	Turret	15	95-9201	1	Shank-Hose
8	41003	1	Diaphragm	16	322-3	1	Screw-HH



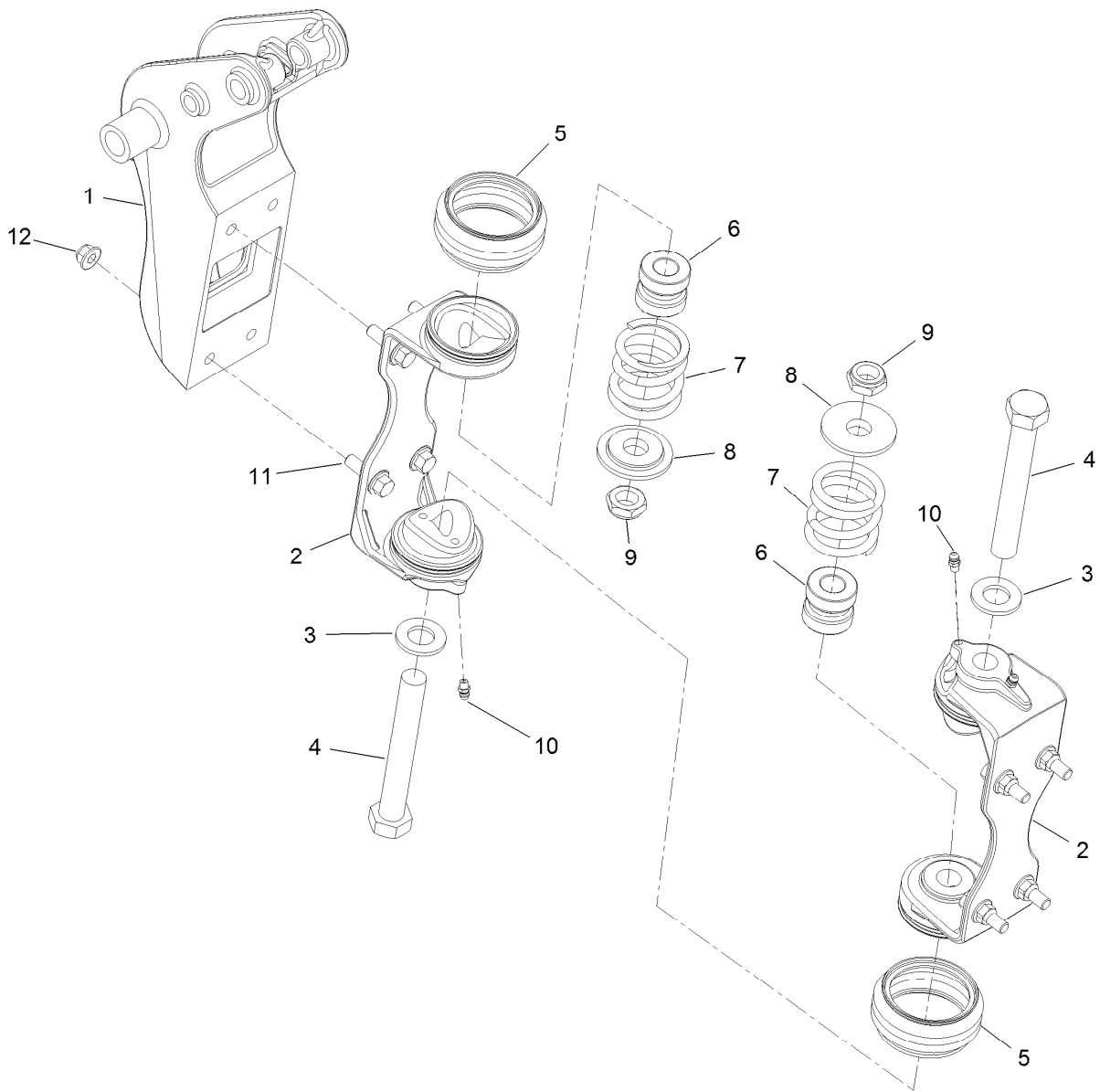
Double Turret Body Assembly No. 108-3727

<i>Ref.</i>	<i>Part Number</i>	<i>Qty.</i>	<i>Description</i>	<i>Ref.</i>	<i>Part Number</i>	<i>Qty.</i>	<i>Description</i>
1	95-9200	1	Plug	9	95-9193	1	Cap-Diaphragm
2	95-9198	1	O-Ring	10	95-9192	1	Body-Split Eyelet
3	95-9197	1	E-Clip	11	95-9191	1	O-Ring
4	95-9199	2	O-Ring	12	99-0811	1	Screw-Clamp
5	108-3264	1	Seal-Viton	13	99-0812	1	Clamp-Upper
6	108-3265	1	O-Ring-Viton	14	99-0814	1	Pin-Pivot
7	95-9196	1	Turret	15	95-9202	1	Shank-Hose
8	41003	1	Diaphragm	16	322-3	1	Screw-HH



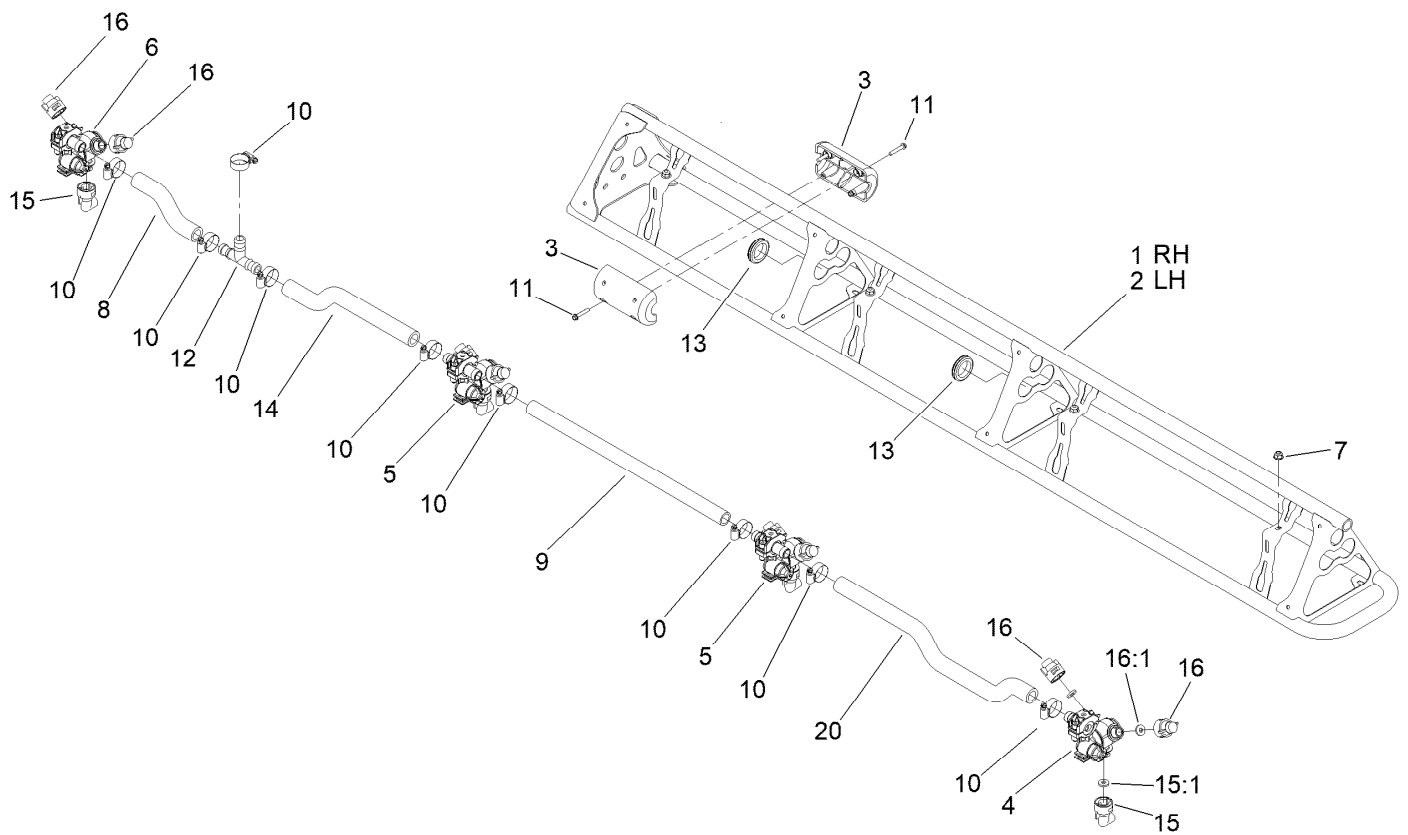
LH Single Turret Body Assembly No. 108-3725

<i>Ref.</i>	<i>Part Number</i>	<i>Qty.</i>	<i>Description</i>	<i>Ref.</i>	<i>Part Number</i>	<i>Qty.</i>	<i>Description</i>
1	95-9200	1	Plug	9	95-9193	1	Cap-Diaphragm
2	95-9198	1	O-Ring	10	95-9192	1	Body-Split Eyelet
3	95-9197	1	E-Clip	11	95-9191	1	O-Ring
4	95-9199	2	O-Ring	12	99-0811	1	Screw-Clamp
5	108-3264	1	Seal-Viton	13	99-0812	1	Clamp-Upper
6	108-3265	1	O-Ring-Viton	14	99-0814	1	Pin-Pivot
7	95-9196	1	Turret	15	95-9201	1	Shank-Hose
8	41003	1	Diaphragm	16	322-3	1	Screw-HH



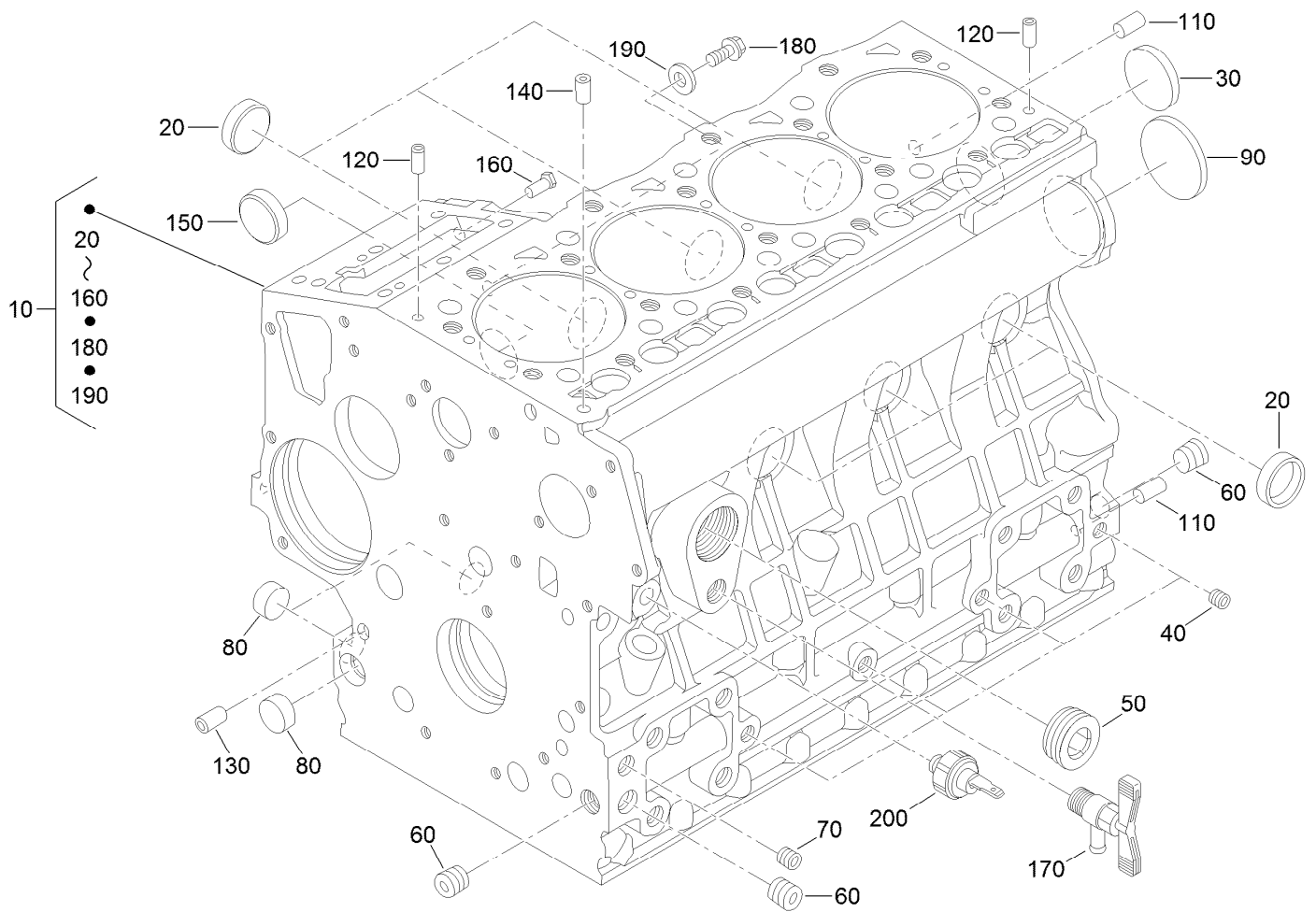
Boom Pivot Assembly

<i>Ref.</i>	<i>Part Number</i>	<i>Qty.</i>	<i>Description</i>
1	137-1673	1	Bracket-Pivot
2	137-1674	2	Hinge
3	110-5054	2	Washer-Flat
4	108-3738	2	Screw-HH
5	108-3459	2	Boot-Hinge
6	120-8541	2	Dampener-Hinge
7	108-3440	2	Spring-Breakaway, Boom
8	108-3444	2	Retainer-Spring
9	3296-15	2	Nut-Lock, NI
10	302-5	4	Fitting-Grease
11	110-5050	8	Screw-HHF
12	104-8301	8	Nut-HF, NI



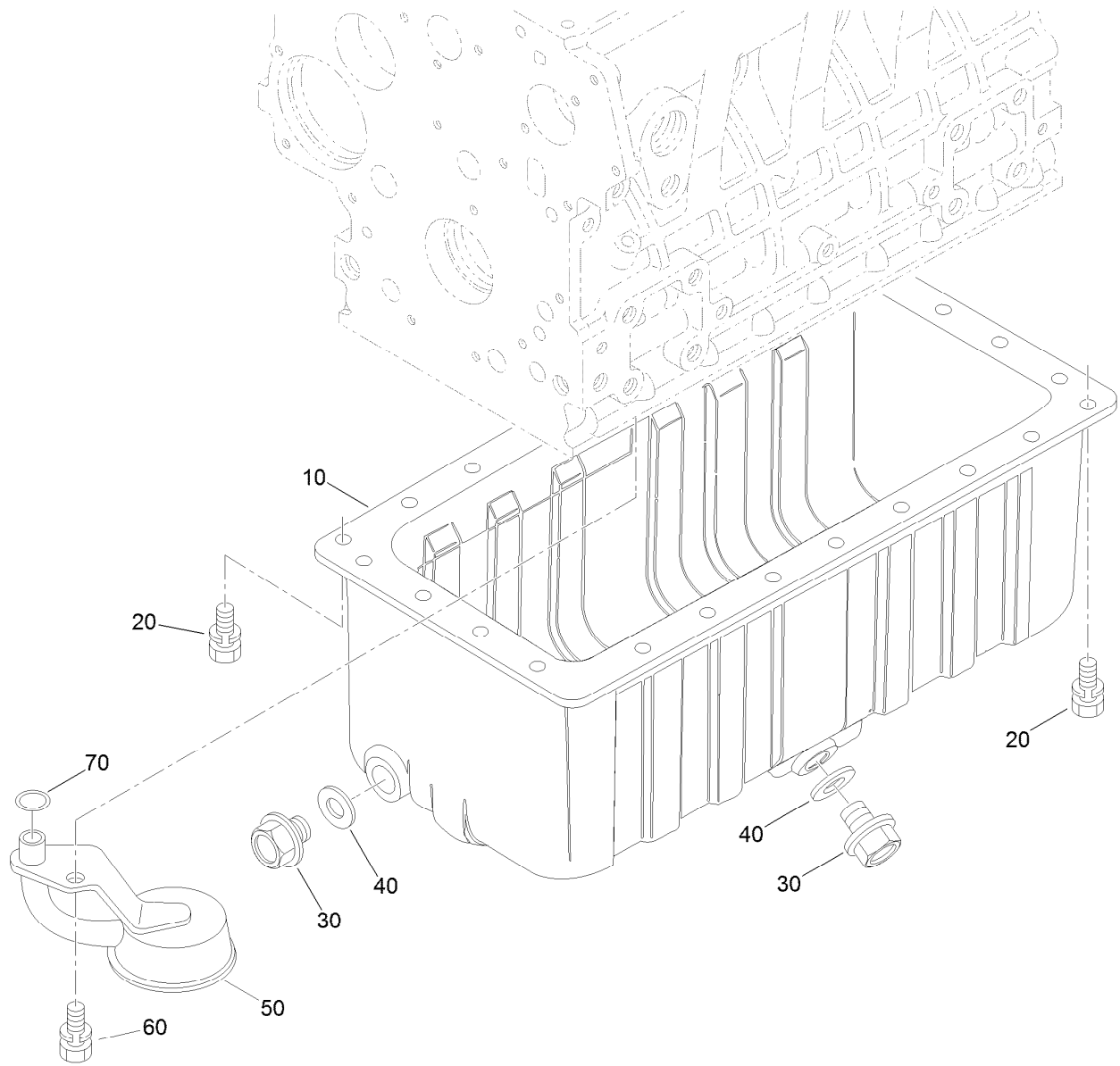
Left and Right Hand Boom Assembly

<i>Ref.</i>	<i>Part Number</i>	<i>Qty.</i>	<i>Description</i>	<i>Ref.</i>	<i>Part Number</i>	<i>Qty.</i>	<i>Description</i>
1	108-3524-03	1	Boom-RH	11	119-9369	8	Screw-HHF
2	108-3525-03	1	Boom-LH	12	108-3439	2	Tee
3	119-9368	4	Block Slide	13	240-3	4	Grommet-Rubber
4	108-3725	2	LH Single Body Turret ASM	14	136-0436	2	Hose-Formed
5	108-3727	4	Double Turret Body ASM	15	95-9186	8	Cap
6	108-3726	2	RH Single Body Turret ASM	15:1	40998	1	Seat-Gasket
7	104-8300	8	Nut-HF, NI	16	95-9187	16	Cap-Blank
8	136-0437	2	Hose-Formed	16:1	40998	1	Seat-Gasket
9	40506	2	Hose-Jumper	20	108-3735	2	Hose-Boom, Center (LH)
10	2412-129	18	Clamp-Hose				



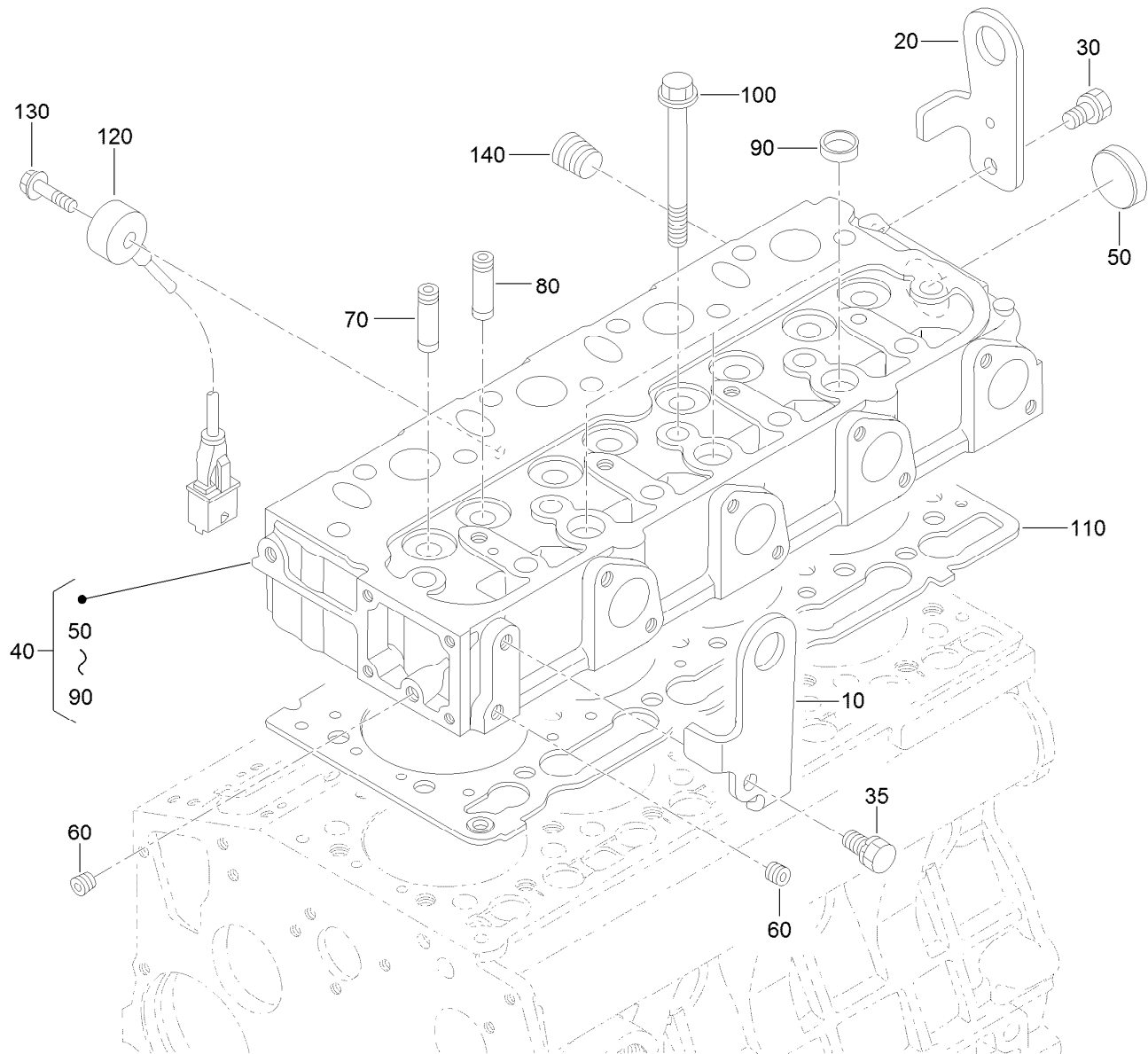
Crankcase Assembly

<i>Ref.</i>	<i>Part Number</i>	<i>Qty.</i>	<i>Description</i>	<i>Ref.</i>	<i>Part Number</i>	<i>Qty.</i>	<i>Description</i>
10	127-0451	1	Crankcase ASM	120	98-9376	2	Pin-Straight
20	98-9398	6	Cap-Sealing	130	98-9387	2	Pin-Pipe
30	98-7539	1	Cap-Sealing	140	98-9539	1	Pin-Pipe
40	98-9687	4	Plug	150	98-9599	1	Plug
50	105-3779	1	Plug	160	105-3796	1	Pin-Spring, Start
60	98-9597	3	Plug	170	120-3121	1	Draincock ASM
70	98-7487	2	Plug	180	99-8363	1	Bolt-Flange
80	98-9379	3	Plug-Expansion	190	98-7654	1	Gasket
90	98-9668	1	Plug-Expansion	200	98-9416	1	Switch-Oil
110	98-9377	2	Pin-Straight				



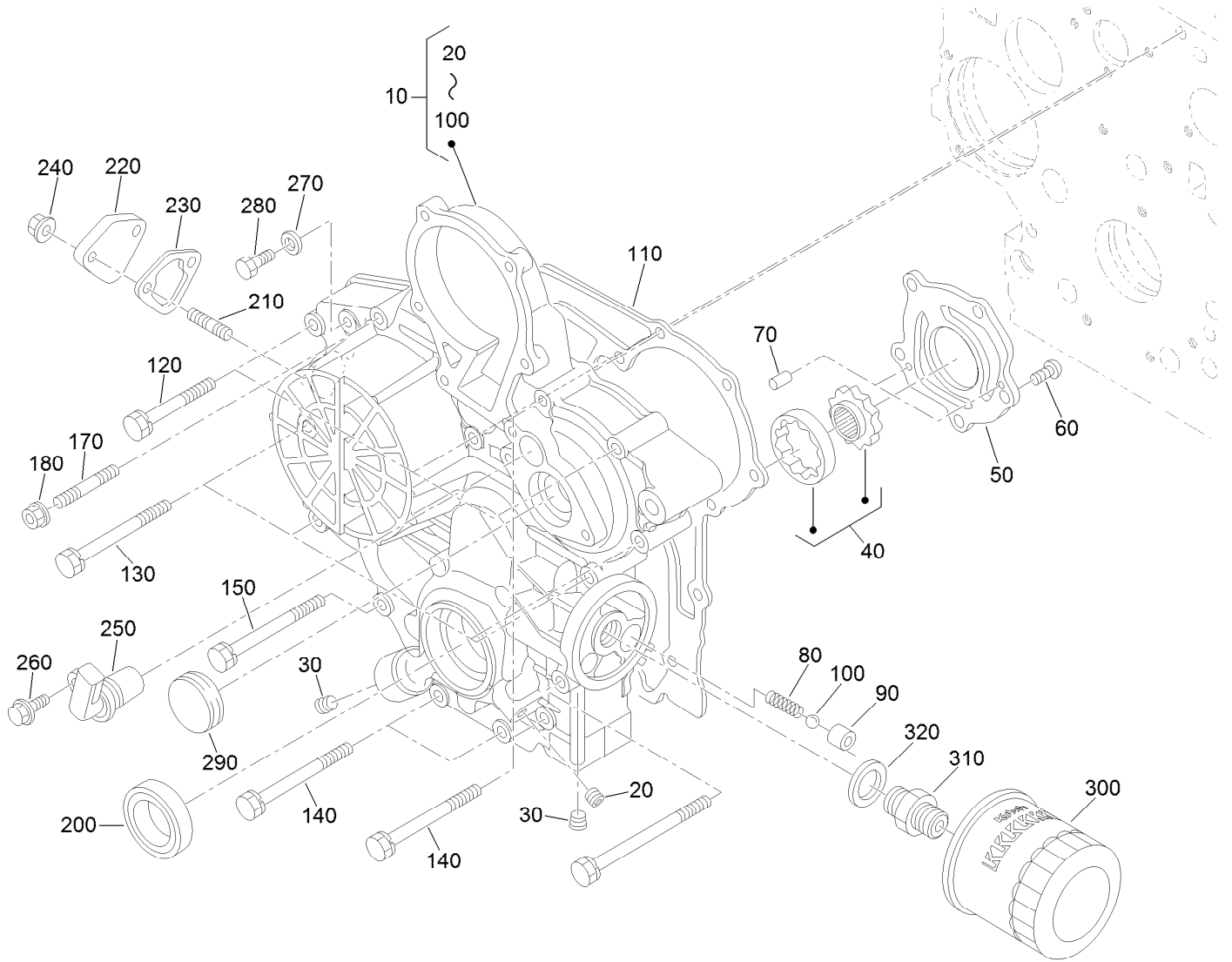
Oil Pan Assembly

<i>Ref.</i>	<i>Part Number</i>	<i>Qty.</i>	<i>Description</i>
10	108-2852	1	Oil Pan ASM
20	98-9351	26	Bolt
30	114-8151	2	Plug-Drain
40	98-7524	2	Gasket
50	112-7003	1	Head-Filter, Oil
60	98-7526	1	Bolt
70	105-3776	1	O-Ring



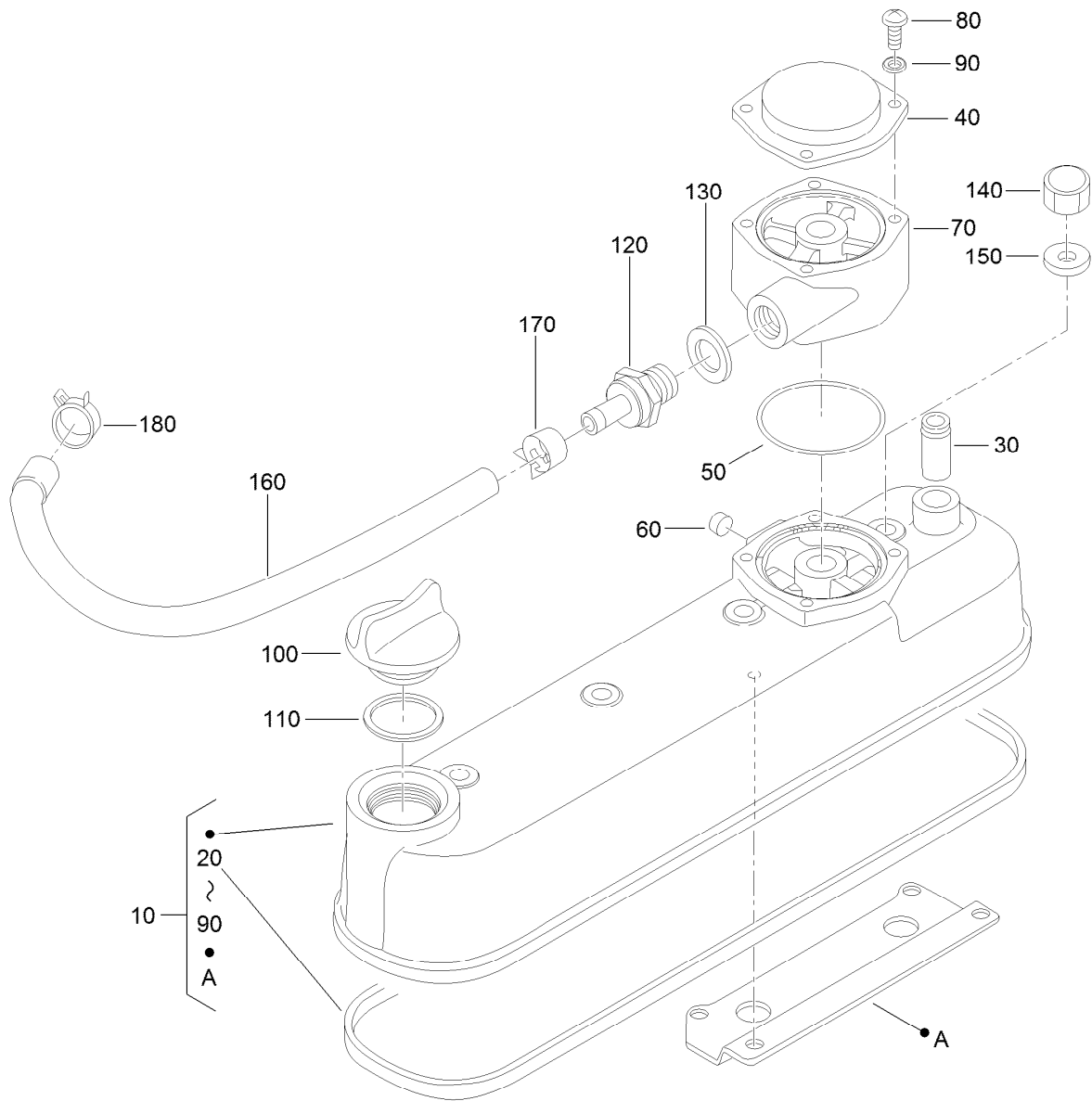
Cylinder Head Assembly

<i>Ref.</i>	<i>Part Number</i>	<i>Qty.</i>	<i>Description</i>
10	127-0463	1	Hook-Engine
20	127-0464	1	Hook-Engine
30	100-9195	1	Bolt
35	98-7526	1	Bolt
40	127-0452	1	Cylinder Head ASM
50	105-3705	1	Cap-Sealing
60	98-9687	2	Plug
70	107-9066	4	Guide-Valve, Inlet
80	127-0478	4	Guide-Valve, Exhaust
90	98-9389	3	Cap-Sealing
100	98-9479	9	Bolt-Head, Cylinder
110	127-0434	1	Gasket-Head, Cylinder
120	127-0467	1	Sensor-Knock
130	127-0506	1	Bolt-Sensor, Knock
140	98-9444	1	Plug



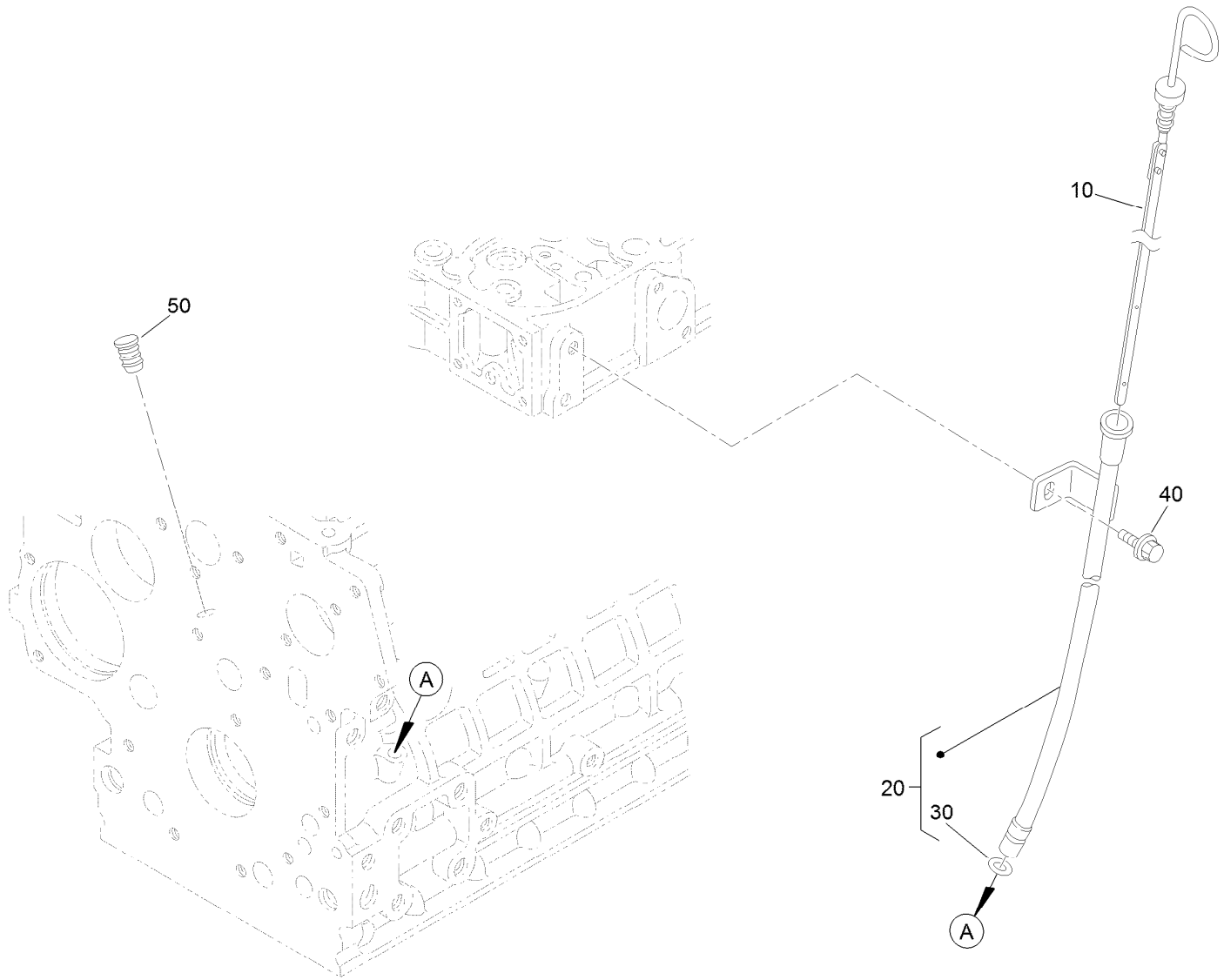
Gear Case and Oil Filter Cartridge Assembly

Ref.	Part Number	Qty.	Description	Ref.	Part Number	Qty.	Description
10	127-0453	1	Gear Case ASM	170	105-3709	1	Stud
20	98-7487	1	Plug	180	100-2203	1	Nut-Flange
30	127-0425	2	Plug	200	119-8038	1	Seal-Oil
40	98-9540	1	Oil Pump Rotor ASM	210	105-3710	2	Stud
50	107-9069	1	Cover-Pump, Oil	220	99-3514	1	Cover
60	107-9071	5	Screw	230	117-7562	1	Gasket-Pump, Fuel
70	107-9072	2	Pin-Straight	240	100-2203	2	Nut-Flange
80	98-9544	1	Spring	250	127-0504	1	Sensor-Revolution
90	98-9543	1	Seat-Valve	260	99-8363	1	Bolt-Flange
100	98-9380	1	Ball	270	98-7654	1	Gasket
110	98-9633	1	Gasket-Case, Gear	280	127-0400	1	Bolt-Hex
120	100-1765	3	Bolt	290	99-3515	1	Plug-Gearcase
130	105-3797	4	Bolt	300	108-3841	1	Filter-Oil
140	98-9356	4	Bolt	310	98-9388	1	Joint-Pipe
150	107-9074	1	Bolt	320	98-7562	1	Washer-Plain



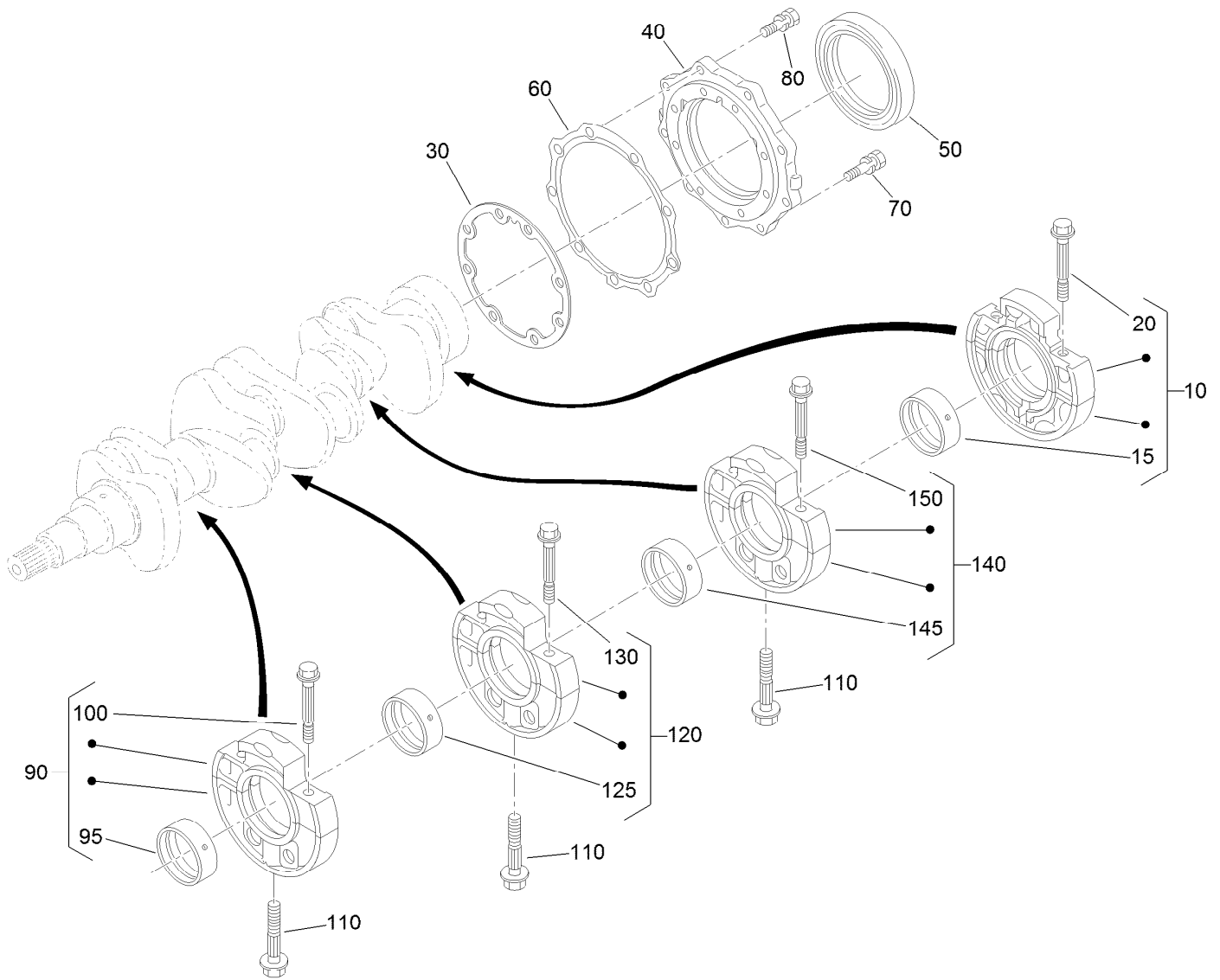
Cylinder Head Cover Assembly

Ref.	Part Number	Qty.	Description	Ref.	Part Number	Qty.	Description
10	127-0479	1	Cylinder Head Cover ASM	100	107-9075	1	Plug-Filler, Oil
20	105-3712	1	Gasket-Cover, Head	110	99-3446	1	O-Ring
30	98-7766	1	Pipe-Return, Water	120	127-0468	1	Valve-Pcv
40	108-7060	1	Cover-Breather	130	98-7528	1	O Ring-Copper
50	110-3846	2	O Ring-Breather	140	98-9455	4	Nut-Cap
60	115-3042	1	Cap-Sealing	150	98-9454	4	Gasket
70	127-0480	1	Spacer-Breather	160	127-0469	1	Tube-Breather
80	115-3044	4	Screw-Pan Head	170	127-0491	1	Clamp-Hose
90	127-0408	4	Washer-Lock, Spring	180	98-9579	1	Band-Pipe



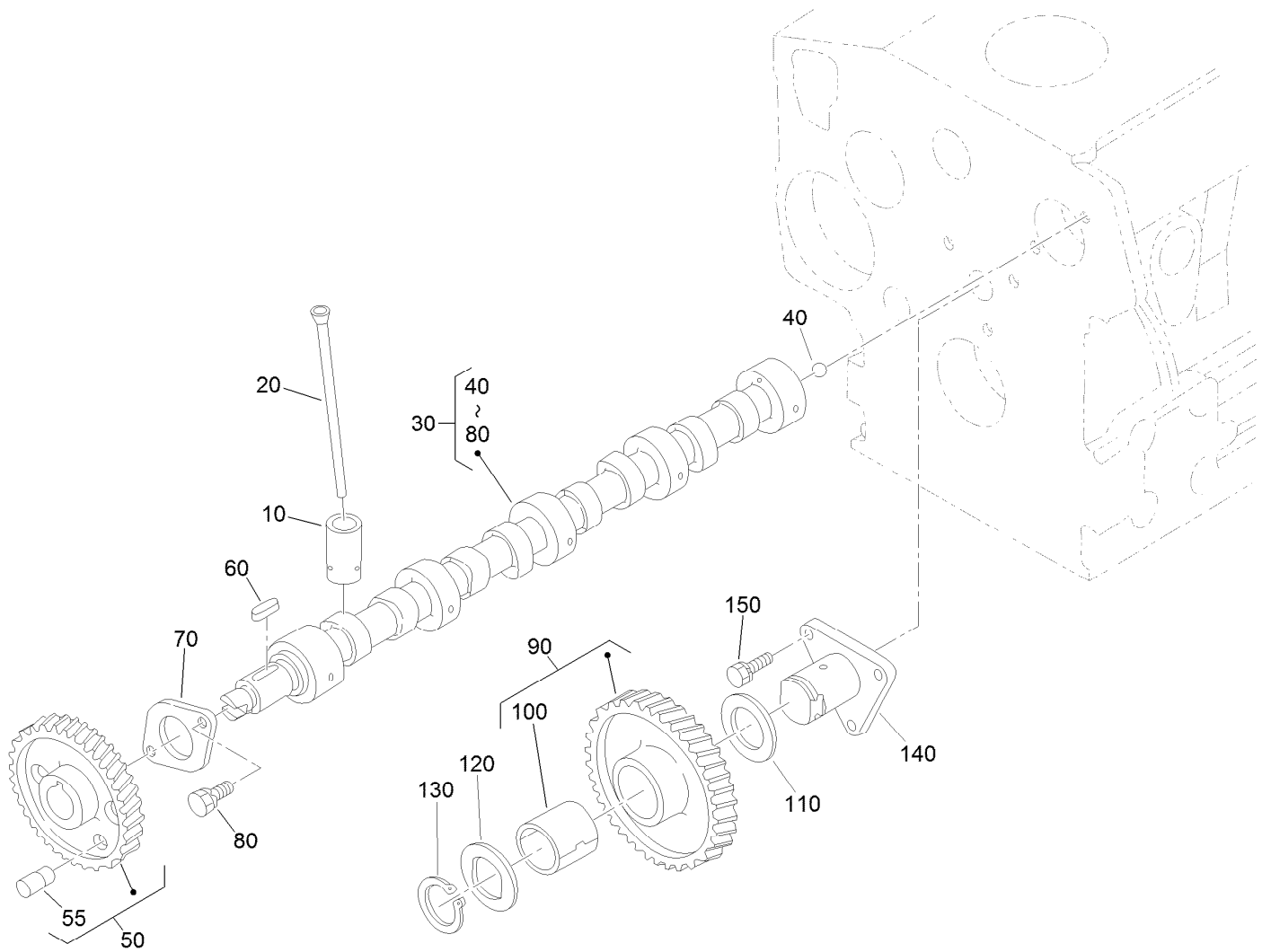
Oil Dipstick and Guide Assembly

<i>Ref.</i>	<i>Part Number</i>	<i>Qty.</i>	<i>Description</i>
10	98-9670	1	Gauge-Oil
20	98-9672	1	Oil Gauge Guide ASM
30	98-9722	1	O-Ring
40	115-8504	1	Bolt-Flange
50	110-3720	1	Plug-Gauge, Oil



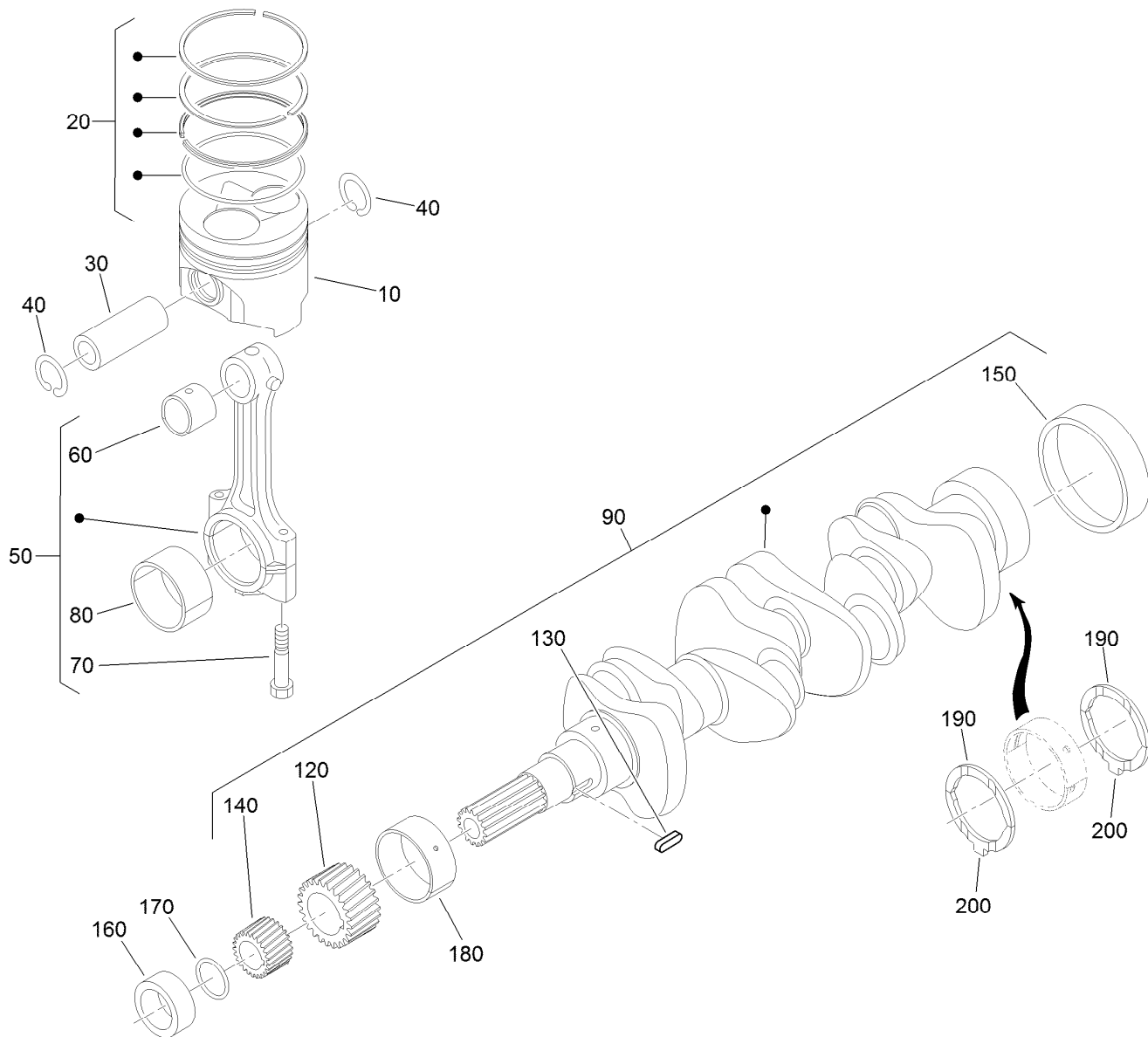
Main Bearing Case Assembly

<i>Ref.</i>	<i>Part Number</i>	<i>Qty.</i>	<i>Description</i>	<i>Ref.</i>	<i>Part Number</i>	<i>Qty.</i>	<i>Description</i>
10	112-7026	1	Wheel Bearing Case ASM	95	98-9524	2	Metal-Crankshaft (STD Set)
15	98-9525	1	Metal-Crankshaft (STD Set)	100	98-9484	2	Bolt-Case, Bearing
20	98-9484	2	Bolt-Case, Bearing	110	98-9485	3	Bolt-Case, Bearing
30	131-6554	1	Gasket-Case, Bearing	120	127-0428	1	Main Bearing Case ASM
40	112-7046	1	Cover-Case, Bearing	125	98-9524	1	Metal-Crankshaft (STD Set)
50	112-0180	1	Seal-Oil	130	98-9484	2	Bolt-Case, Bearing
60	112-7037	1	Gasket-Cover, Case	140	127-0429	1	Bearing Case ASM
70	127-0441	8	Bolt	145	98-9524	1	Metal-Crankshaft (STD Set)
80	127-0442	9	Bolt	150	98-9484	2	Bolt-Case, Bearing
90	127-0427	1	Main Bearing Case ASM				



Cam Shaft and Idle Gear Assembly

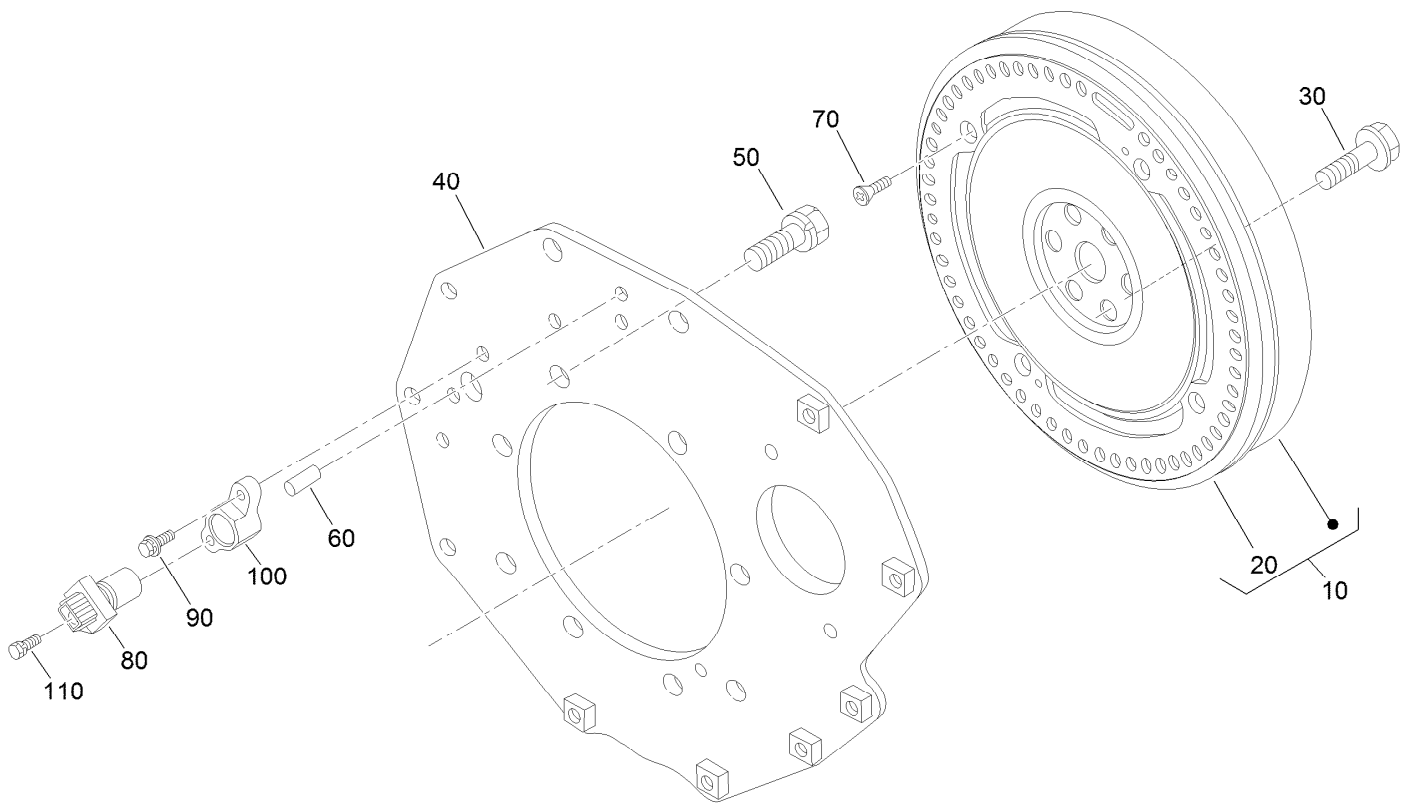
<i>Ref.</i>	<i>Part Number</i>	<i>Qty.</i>	<i>Description</i>	<i>Ref.</i>	<i>Part Number</i>	<i>Qty.</i>	<i>Description</i>
10	112-0185	8	Tappet	80	98-7692	2	Bolt
20	127-0421	8	Rod-Push	90	117-7584	1	Idler Gear ASM
30	127-0481	1	Camshaft ASM	100	117-7585	1	Bushing-Gear, Idle
40	110-3729	1	Ball	110	98-9535	1	Collar-Gear, Idle
50	127-0482	1	Cam Gear ASM	120	98-9536	1	Collar-Gear, Idle
55	127-0483	1	Pin-Gear, Cam	130	98-9534	1	Circlip-Gear, Idle
60	98-9378	1	Key-Feather	140	98-9533	1	Shaft-Gear, Idle
70	98-9510	1	Stopper-Camshaft	150	98-7692	3	Bolt



Piston and Crankshaft Assembly

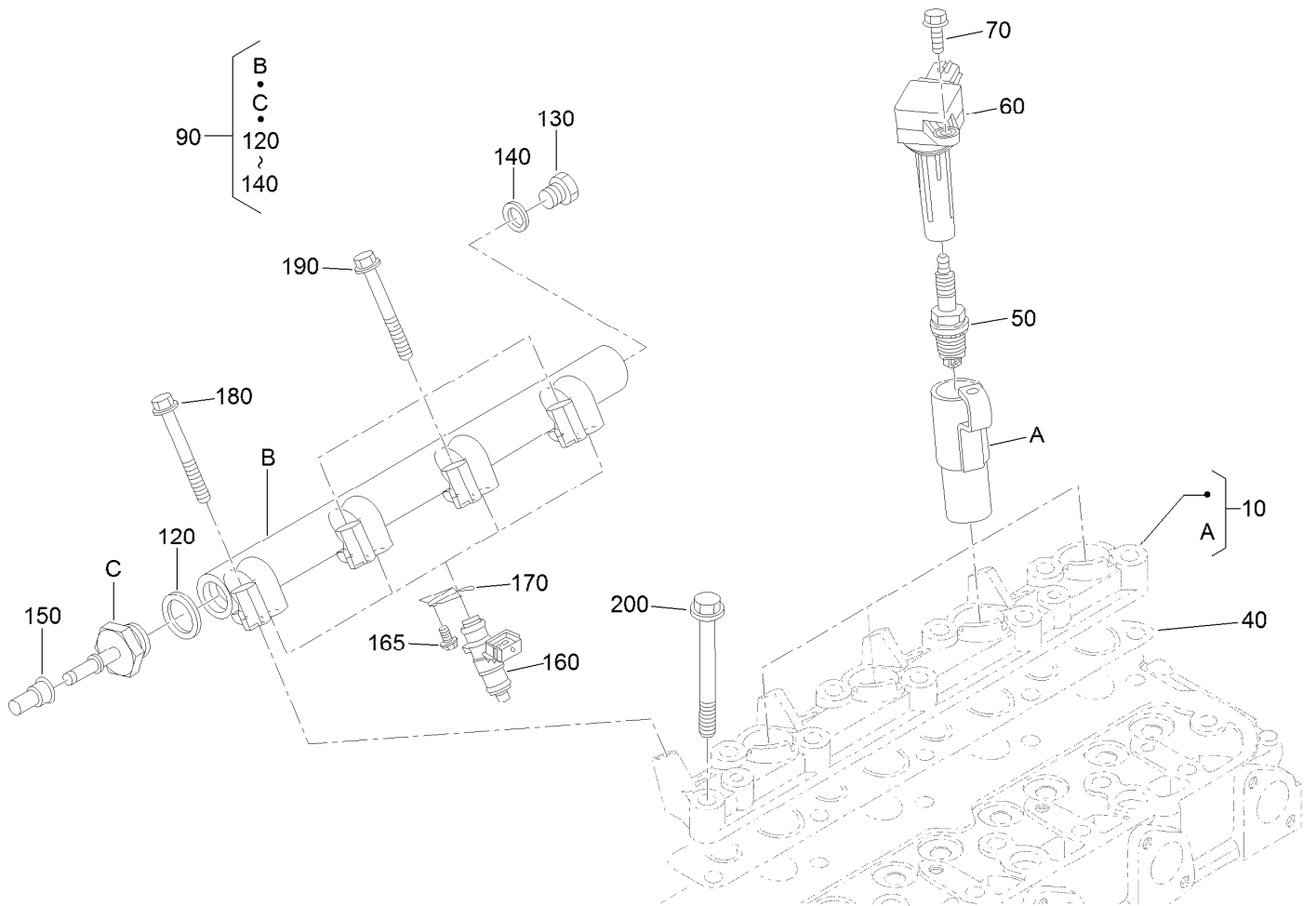
Ref.	Part Number	Qty.	Description
10	127-0487	4	Piston (STD)
10	127-0488	4	Piston (+0.50MM)
20	127-0485	4	Piston Ring ASM (STD)
20	127-0486	4	Piston Ring ASM (+0.50MM)
30	98-9513	4	Pin-Piston
40	98-9514	8	Circlip-Pin, Piston
50	117-7586	4	Connecting Rod ASM
60	115-3014	4	Bushing-Pin, Piston
70	98-9517	8	Bolt-Rod, Connecting
80	98-9553	4	Bearing-Rod (STD)
80	98-9519	4	Bearing-Rod (-0.2MM)
80	117-7588	4	Metal-Crankpin (-0.4MM)
90	127-0433	1	Metal-Crankshaft (-0.2MM)
120	117-7561	1	Gear-Crankshaft

Ref.	Part Number	Qty.	Description
130	98-9666	1	Key
140	127-0445	1	Gear-Drive, Oil Pump
150	98-9522	1	Sleeve-Crankshaft
160	127-0444	1	Collar-Crankshaft
170	105-3783	1	O-Ring
180	98-9524	3	Metal-Crankshaft (STD Set)
180	127-0433	3	Metal-Crankshaft (-0.2MM)
180	127-0432	1	Metal-Crankshaft (-0.4MM)
190	98-9413	2	Bearing-Thrust (STD)
190	127-0416	2	Metal-Side (+0.2Mm)
190	127-0417	2	Metal-Side (+0.40Mm)
200	98-9688	2	Bearing-Thrust (STD)
200	127-0437	2	Metal-Side (+0.2MM)
200	127-0438	2	Metal-Side (+0.40MM)



Flywheel and Sensor Switch Assembly

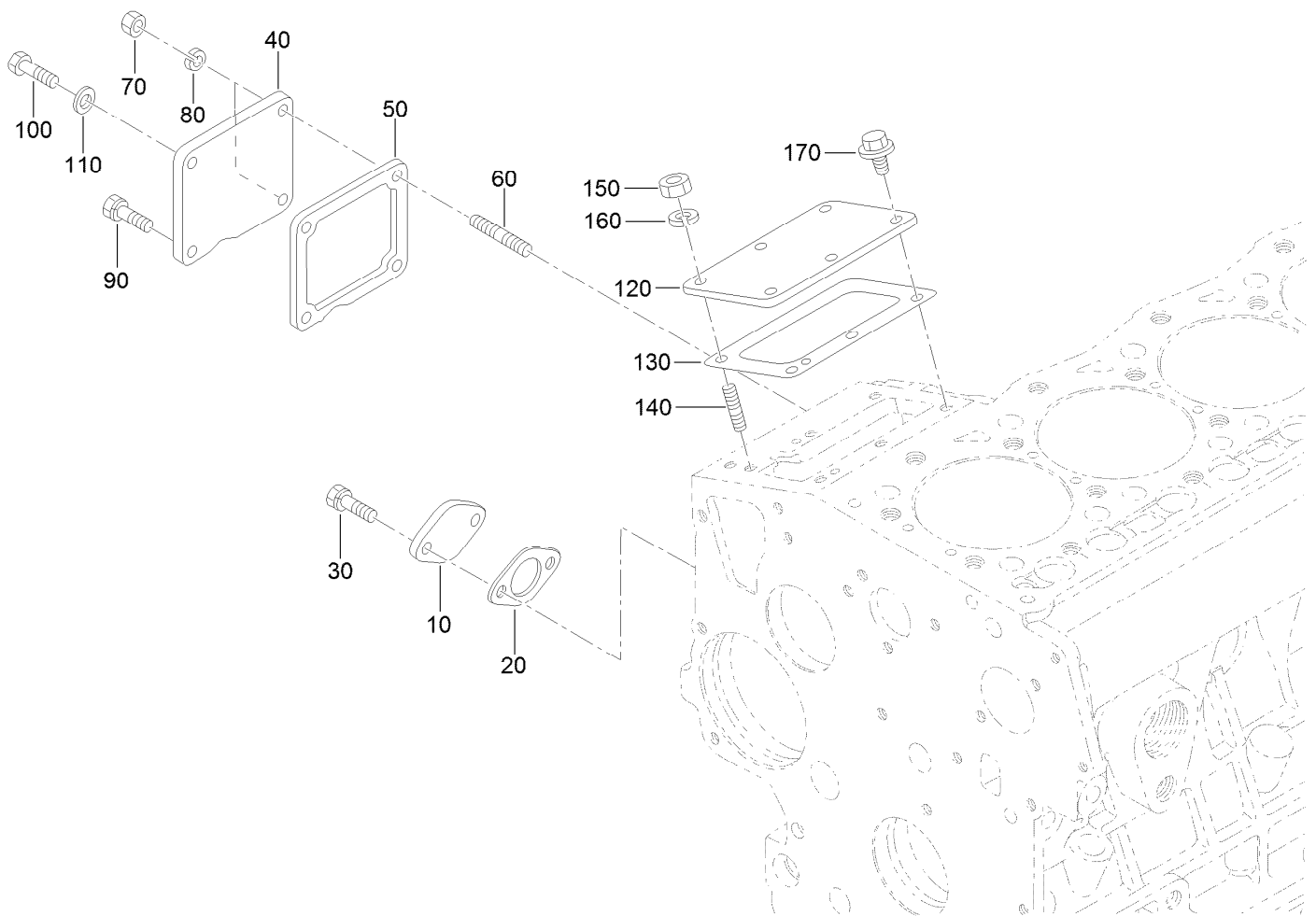
<i>Ref.</i>	<i>Part Number</i>	<i>Qty.</i>	<i>Description</i>
10	127-0489	1	Flywheel ASM
20	115-3015	1	Gear-Ring
30	98-9537	6	Bolt-Flywheel
40	127-0454	1	Plate-End, Rear
50	98-9392	8	Bolt
60	127-0412	2	Pin-Straight
70	127-0407	4	Screw-Head, Flat
80	125-9103	1	Sensor Stick ASM
90	127-0403	1	Bolt-Flange
100	127-0494	1	Holder-Sensor
110	127-0404	1	Bolt-Flange



Ignition Coil and Delivery Pipe Assembly

Ref.	Part Number	Qty.	Description
10	127-0459	1	Flange-Injector
40	127-0460	1	Gasket-Flange
50	127-0499	4	Spark Plug
60	127-0498	4	Coil-Ignition
70	99-8363	4	Bolt-Flange
90	127-0509	1	Delivery Pipe ASM
120	127-0411	1	Packing
130	127-0413	1	Plug

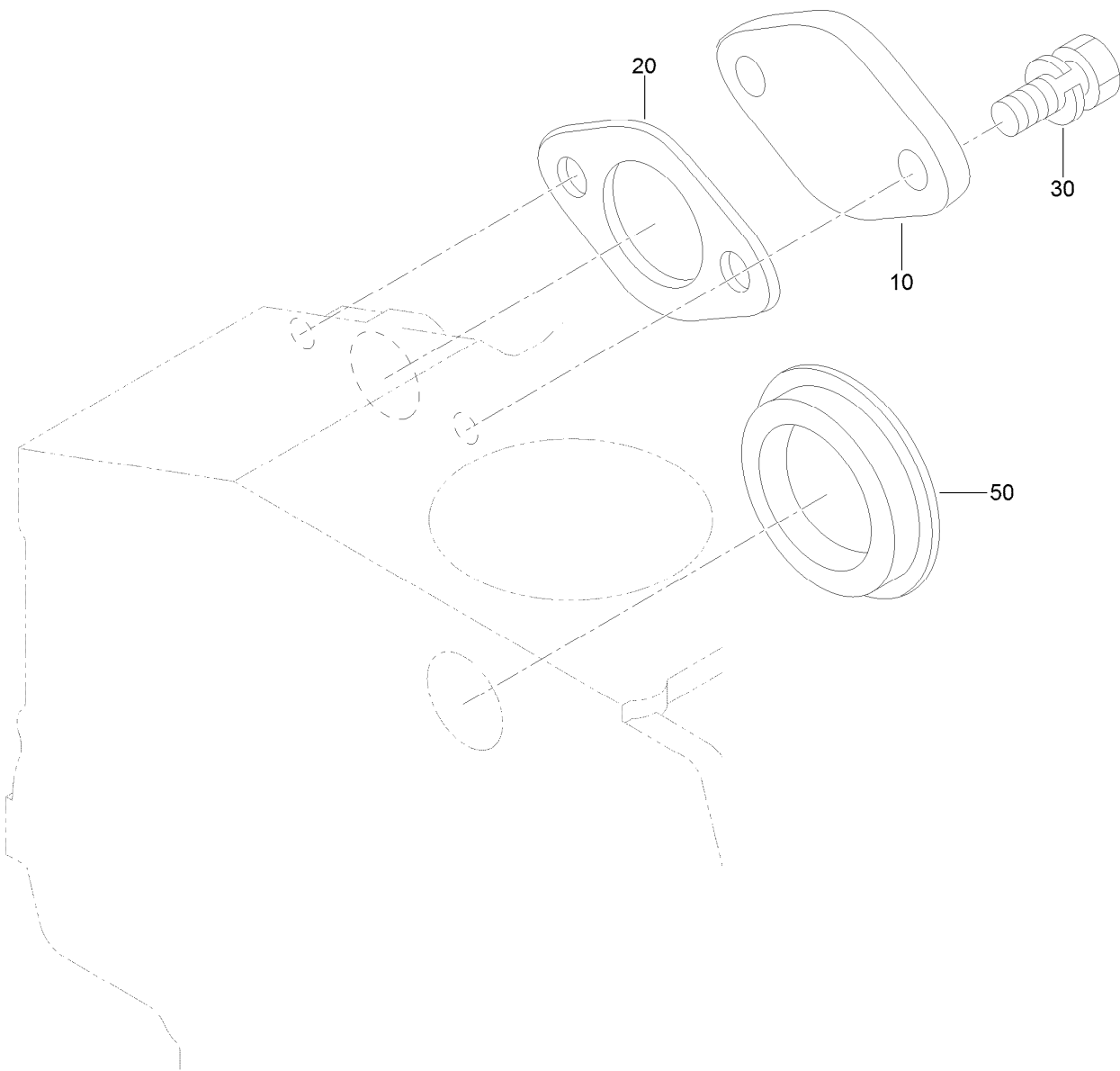
Ref.	Part Number	Qty.	Description
140	125-9096	1	Gasket
150	127-0456	1	Cap-Fuel
160	125-9107	4	Injector
165	100-1774	4	Bolt-Flange
170	127-0458	4	Stopper-Injector
180	127-0404	1	Bolt-Flange
190	127-0405	3	Bolt-Flange
200	127-0466	9	Bolt-Head, Cylinder



Engine Covers Assembly

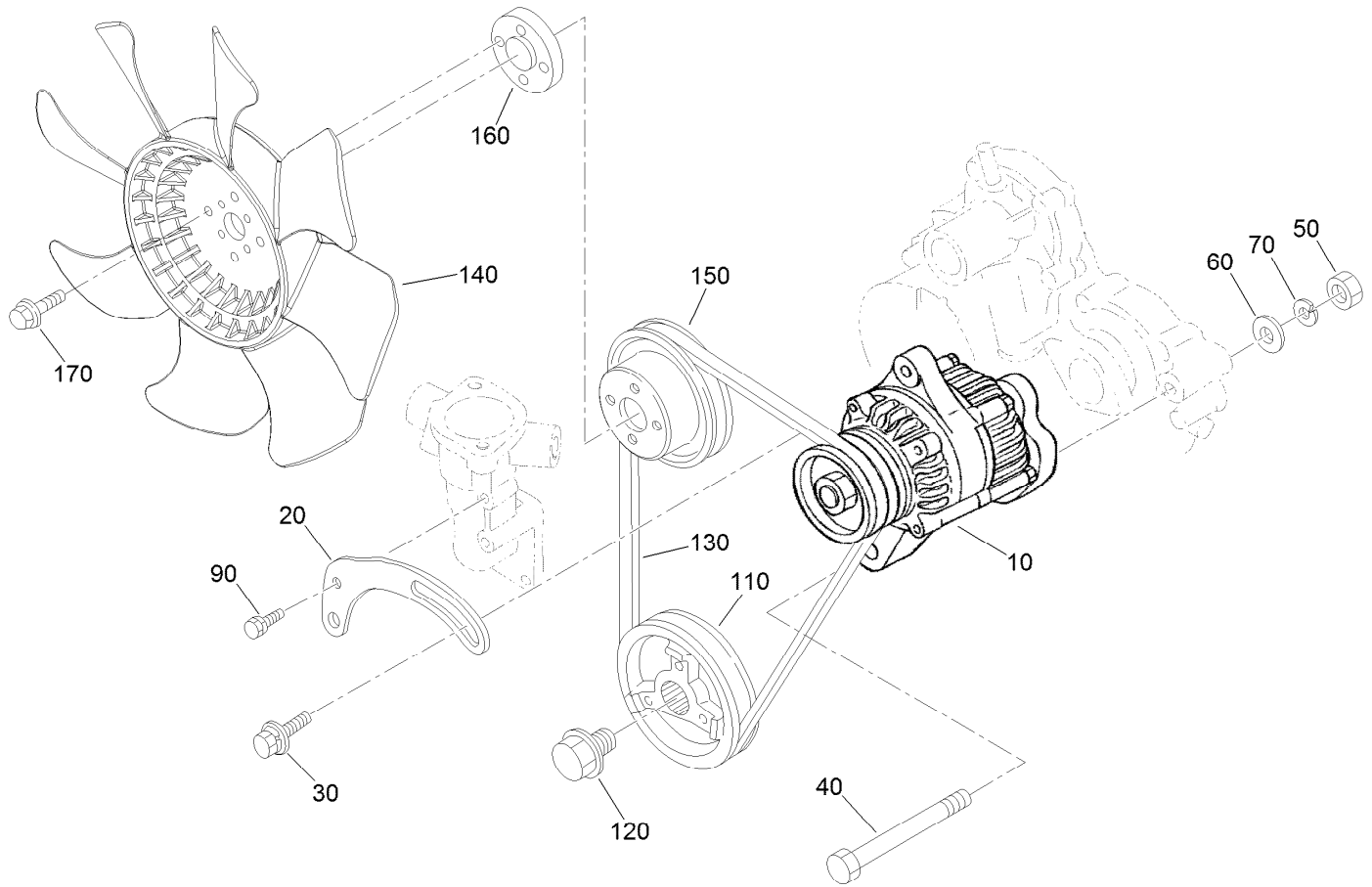
Ref.	Part Number	Qty.	Description
10	115-4122	1	Cover-Shaft, Fork Lever
20	98-9682	1	Gasket
30	98-9350	2	Bolt
40	127-0418	1	Cover
50	98-9637	1	Gasket
60	105-3710	2	Stud
70	98-7572	2	Nut
80	98-7699	2	Washer-Spring
90	98-9350	1	Bolt

Ref.	Part Number	Qty.	Description
100	127-0401	1	Bolt-Hex
110	98-7654	1	Gasket
120	127-0465	1	Cover-Pump, Injection
130	105-3728	1	Shim-Pump, Injection (.20MM)
140	98-9438	3	Stud
150	100-1776	3	Nut
160	98-7699	3	Washer-Spring
170	100-1774	3	Bolt-Flange



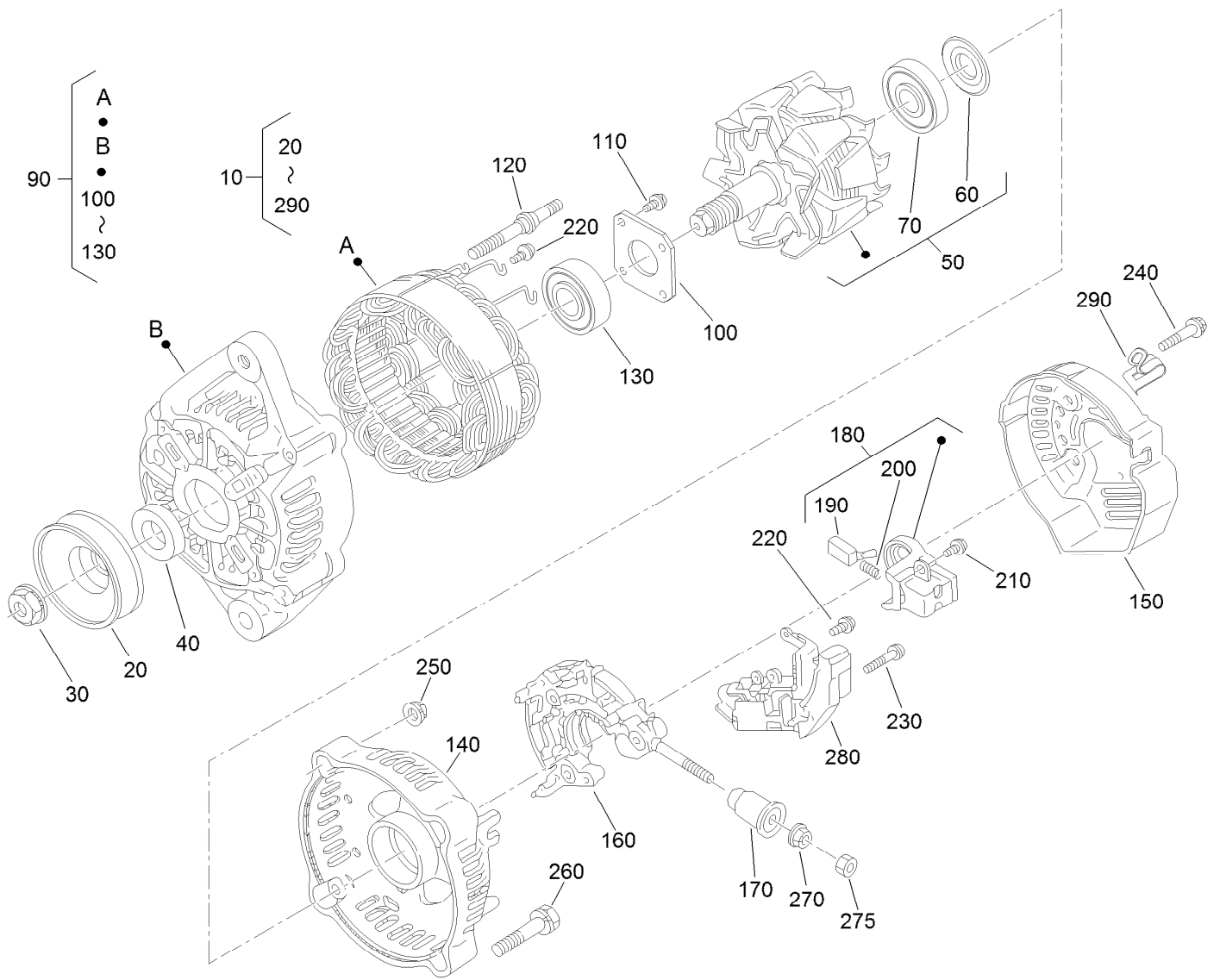
Solenoid Cover and Hydraulic Pump Cover

<i>Ref.</i>	<i>Part Number</i>	<i>Qty.</i>	<i>Description</i>
10	127-0419	1	Cover-Solenoid
20	98-9683	1	Gasket-Cover, Solenoid
30	98-7692	2	Bolt
50	112-7016	1	Cover-Pump



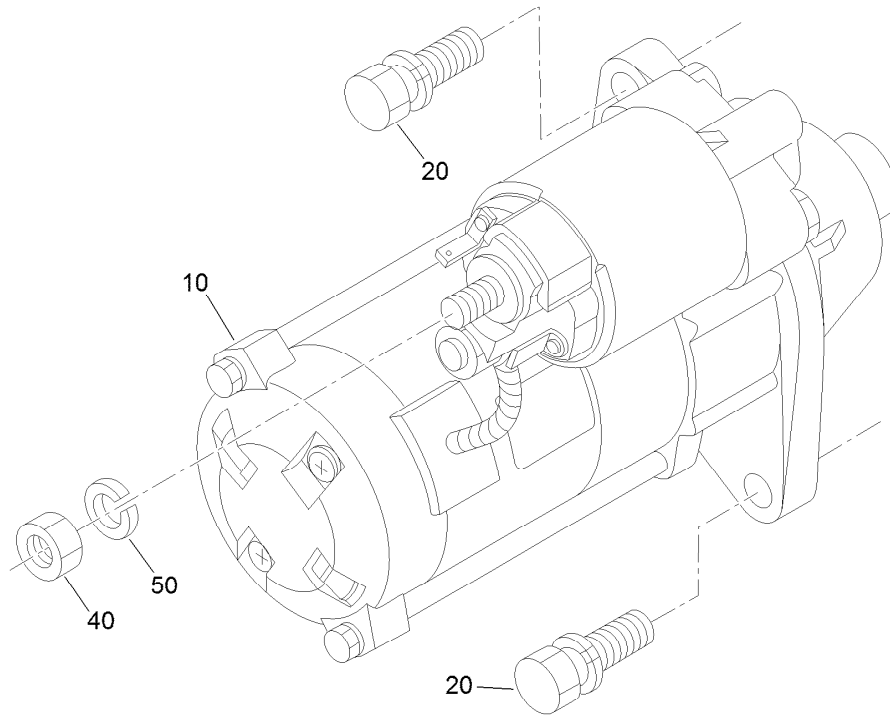
Alternator, Pulley and Fan Assembly

Ref.	Part Number	Qty.	Description
10	131-9567	1	60 Amp Alternator ASM
20	117-5542	1	Bracket
30	108-7088	1	Bolt
40	98-9360	1	Bolt
50	98-7737	1	Nut
60	98-9366	1	Washer-Plain
70	98-7738	1	Washer-Spring
90	98-7692	1	Bolt
110	105-3745	1	Pulley-Drive, Fan
120	98-9585	1	Bolt
130	104-3494	1	Belt-V
140	131-5803	1	Fan
150	98-9584	1	Pulley-Fan
160	108-2872	1	Collar-Fan
170	114-8414	4	Screw-HHF



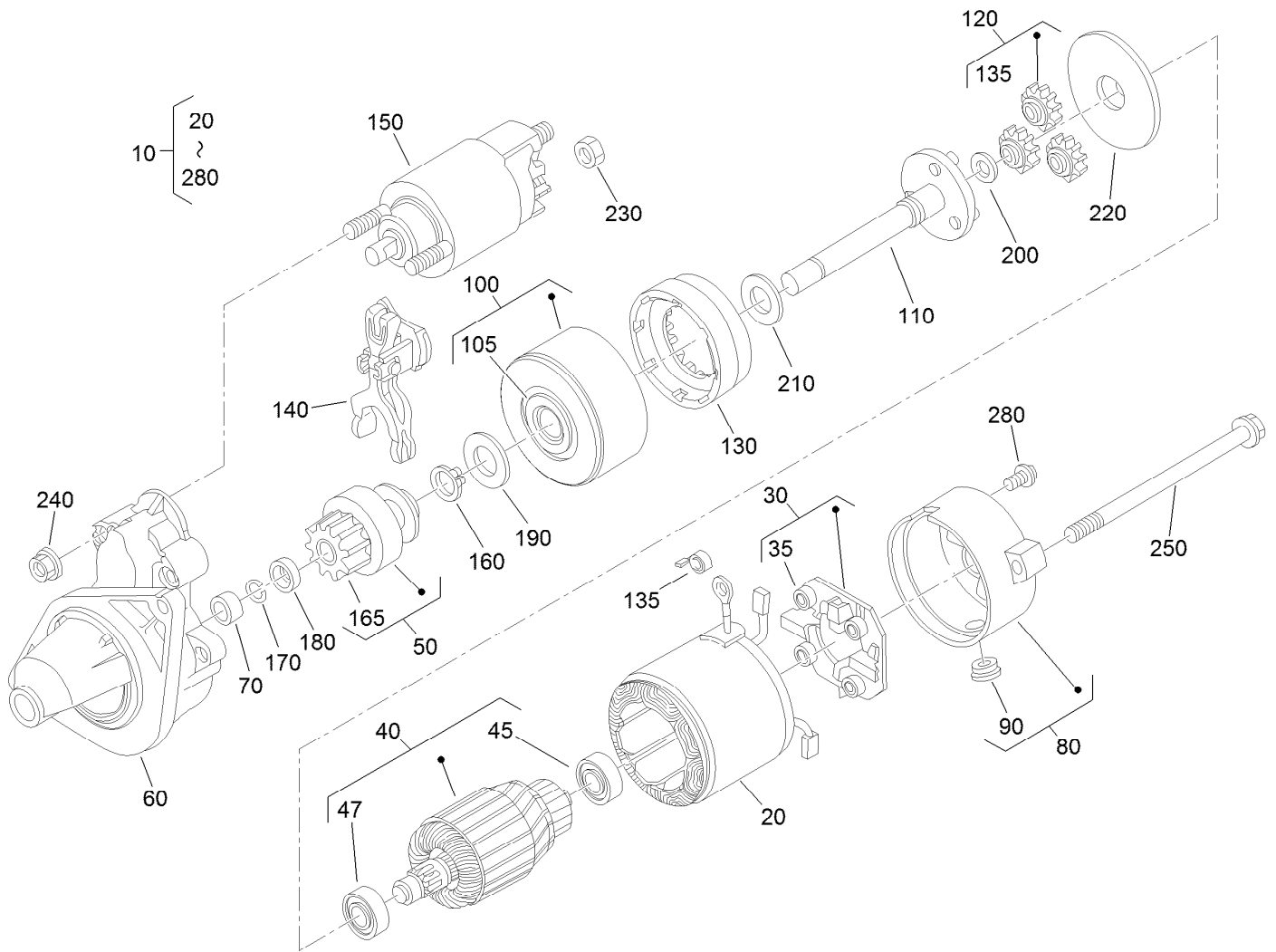
Alternator Assembly No. 131-9567

Ref.	Part Number	Qty.	Description	Ref.	Part Number	Qty.	Description
10	131-9567	1	60 Amp Alternator ASM	170	117-0321	1	Insulation-Brush
20	98-9453	1	Pulley-Dynamo	180	107-0141	1	Brush Holder ASM
30	98-7708	1	Nut	190	98-7724	2	Brush
40	98-7709	1	Collar	200	98-7725	2	Spring-Brush
50	107-0136	1	Rotor ASM	210	98-7726	2	Screw-Head, Round
60	98-7711	1	Cover-Bearing	220	98-7727	6	Screw-Head, Round
70	107-0138	1	Bearing-Ball	230	98-7728	1	Screw-Head, Round
90	131-9573	1	Frame-End, Drive	240	98-7729	3	Bolt
100	98-7715	1	Plate-Retainer	250	98-7730	2	Nut
110	98-7716	4	Screw-Head, Round	260	98-7731	2	Bolt
120	98-7717	2	Bolt-Through	270	98-7732	1	Nut
130	133-2811	1	Bearing	275	100-1776	1	Nut
140	121-3812	1	Frame-End	280	121-3809	1	Regulator ASM
150	121-3813	1	Cover-End	290	120-5841	1	Clamp-Cord
160	121-3805	1	Rectifier ASM				



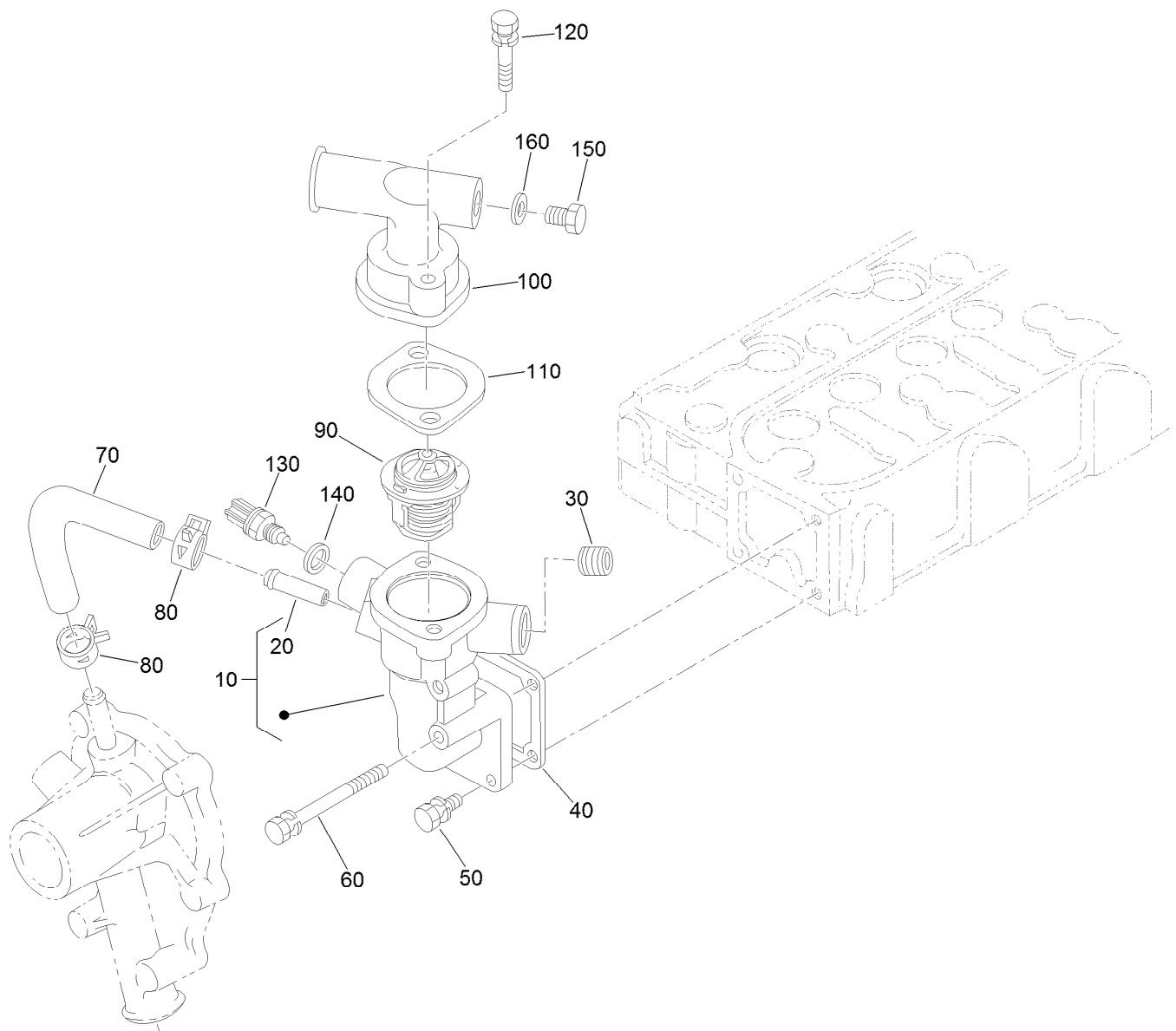
Starter Installation Assembly

<i>Ref.</i>	<i>Part Number</i>	<i>Qty.</i>	<i>Description</i>
10	127-0495	1	Starter ASM
20	98-7697	2	Bolt
40	98-7739	1	Nut
50	3253-4	1	Washer-Lock



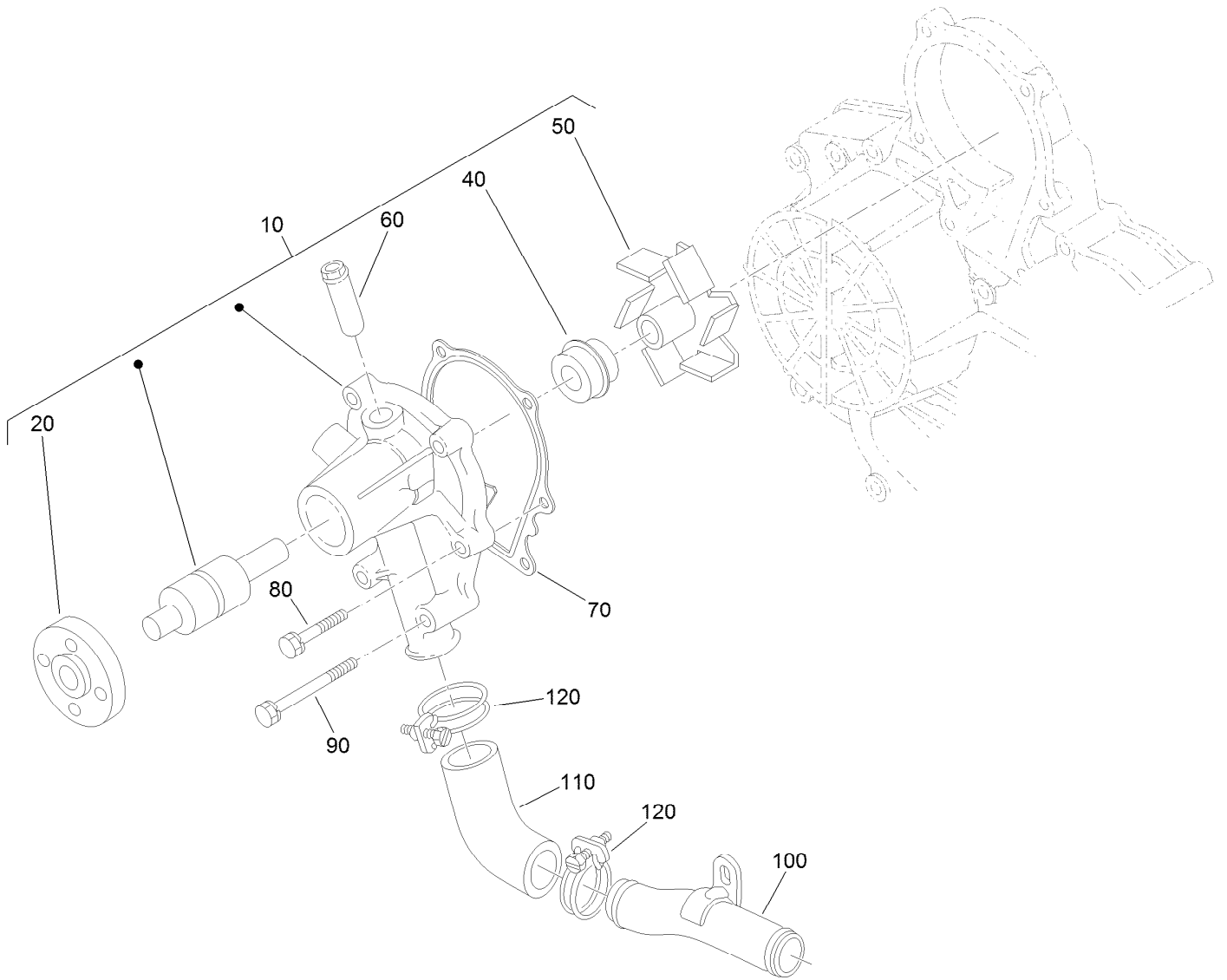
Starter Components Assembly

Ref.	Part Number	Qty.	Description	Ref.	Part Number	Qty.	Description
10	127-0495	1	Starter ASM	130	100-2221	1	Gear
20	100-2181	1	Starter Yoke ASM	135	98-7750	4	Spring-Brush
30	100-2222	1	Holder ASM	140	100-2218	1	Lever
35	127-0415	4	Spring-Brush	150	127-0448	1	Switch-Magnetic
40	100-2182	1	Armature ASM	160	100-2219	1	Ring-Snap
45	98-9412	1	Bearing-Ball	165	112-2833	1	Gear-Pinion
47	98-9411	1	Bearing-Ball	170	100-2212	1	Ring-Snap
50	100-2185	1	Starter Clutch ASM	180	100-2216	1	Collar
60	127-0490	1	Starter Housing ASM	190	100-2224	1	Washer-Plain
70	100-2183	1	Bearing	200	100-2225	1	Washer-Plain
80	127-0449	1	Frame ASM	210	100-2226	1	Washer-Plain
90	100-2213	1	Cover	220	100-2227	1	Plate
100	100-2223	1	Bearing ASM	230	99-8371	1	Nut-Hex
105	127-0414	1	Bearing	240	100-1813	2	Nut
110	100-2187	1	Starter Shaft ASM	250	100-2210	2	Bolt-Through
120	100-2220	3	Gear	280	100-2188	2	Screw



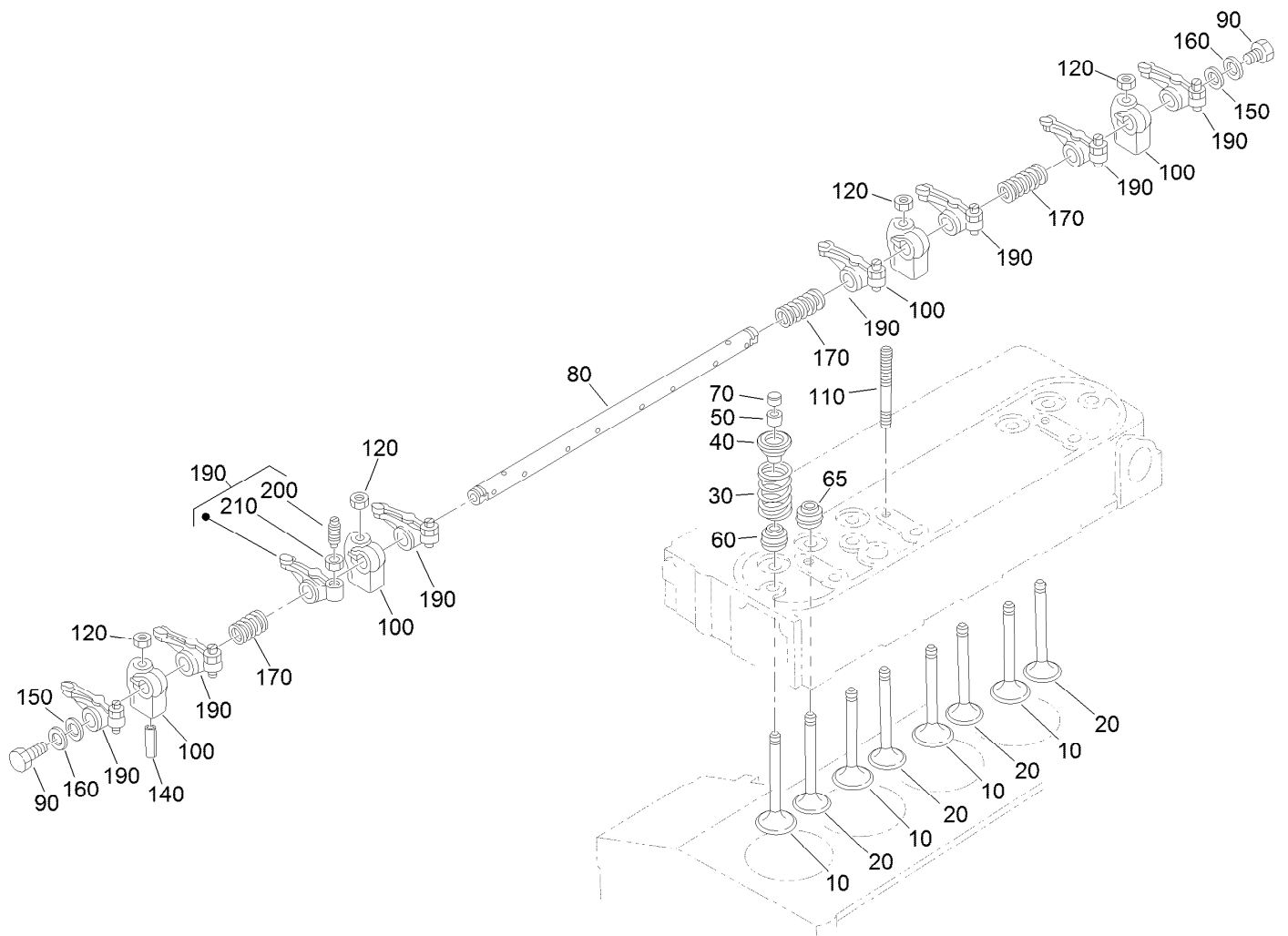
Water Flange and Thermostat Assembly

<i>Ref.</i>	<i>Part Number</i>	<i>Qty.</i>	<i>Description</i>	<i>Ref.</i>	<i>Part Number</i>	<i>Qty.</i>	<i>Description</i>
10	127-0435	1	Water Flange ASM	90	98-7778	1	Thermostat ASM
20	98-9580	1	Pipe-Return, Water	100	108-2869	1	Cover-Thermostat
30	105-2874	1	Plug	110	105-3748	1	Gasket-Thermostat
40	98-9638	1	Gasket-Flange, Water	120	98-7777	2	Bolt
50	98-7692	3	Bolt	130	125-9102	1	Sensor-Temperature, Water
60	98-9356	1	Bolt	140	127-0410	1	Washer-Seal
70	98-9578	1	Pipe-Return, Water	150	108-2870	1	Plug-Drain
80	125-9078	2	Clamp-Hose	160	100-9155	1	Gasket



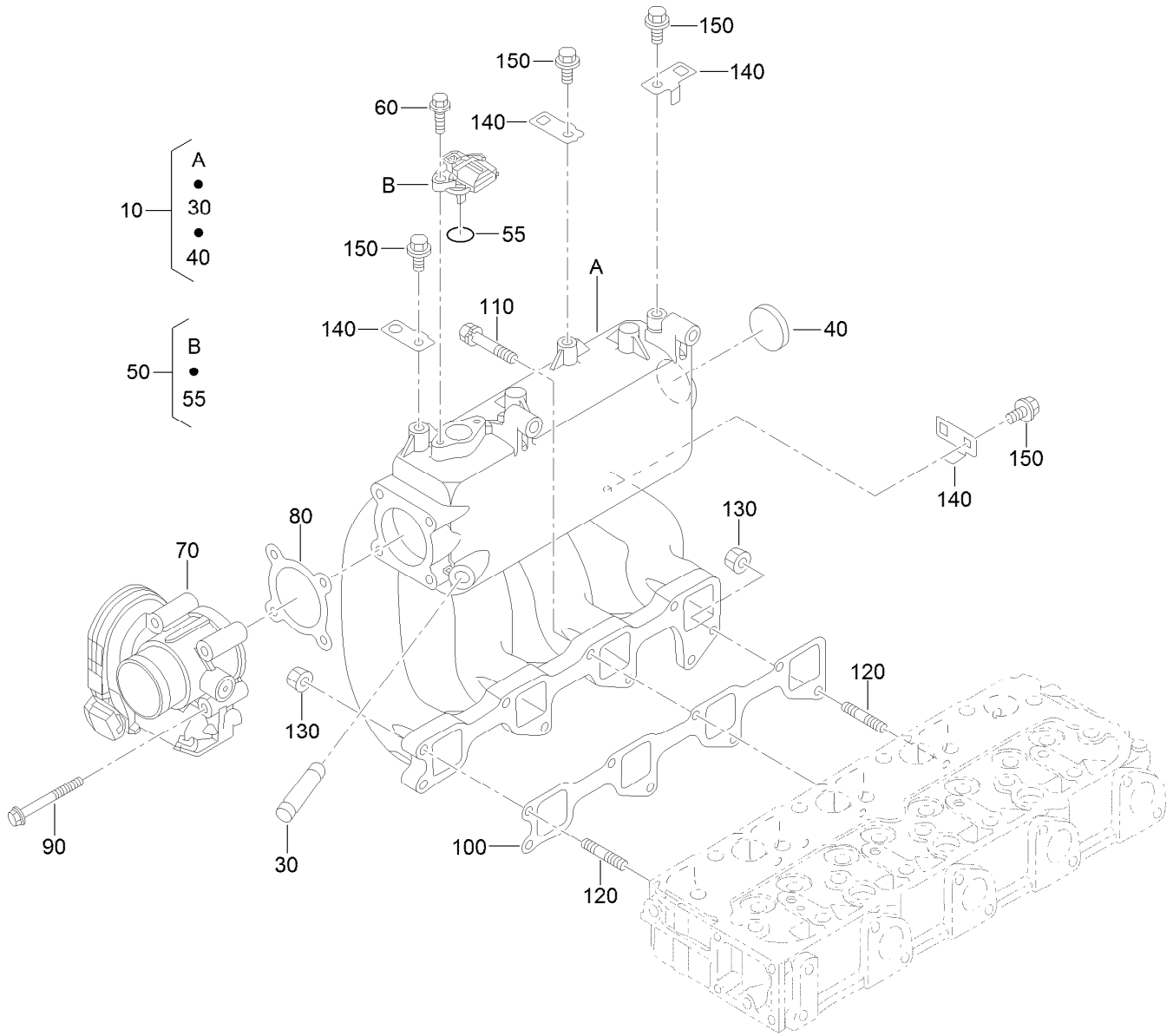
Water Pump Assembly

Ref.	Part Number	Qty.	Description
10	107-9089	1	Water Pump ASM
20	99-3516	1	Flange-Pump, Water
40	105-3750	1	Mechanical Seal ASM
50	112-7017	1	Impeller-Pump, Water
60	100-1932	1	Pipe-Return, Water
70	99-3454	1	Gasket-Pump, Water
80	98-9353	4	Bolt
90	107-9090	2	Bolt
100	98-9716	1	Pipe-Water
110	107-9091	1	Pipe-Water
120	127-0439	2	Clamp-Hose



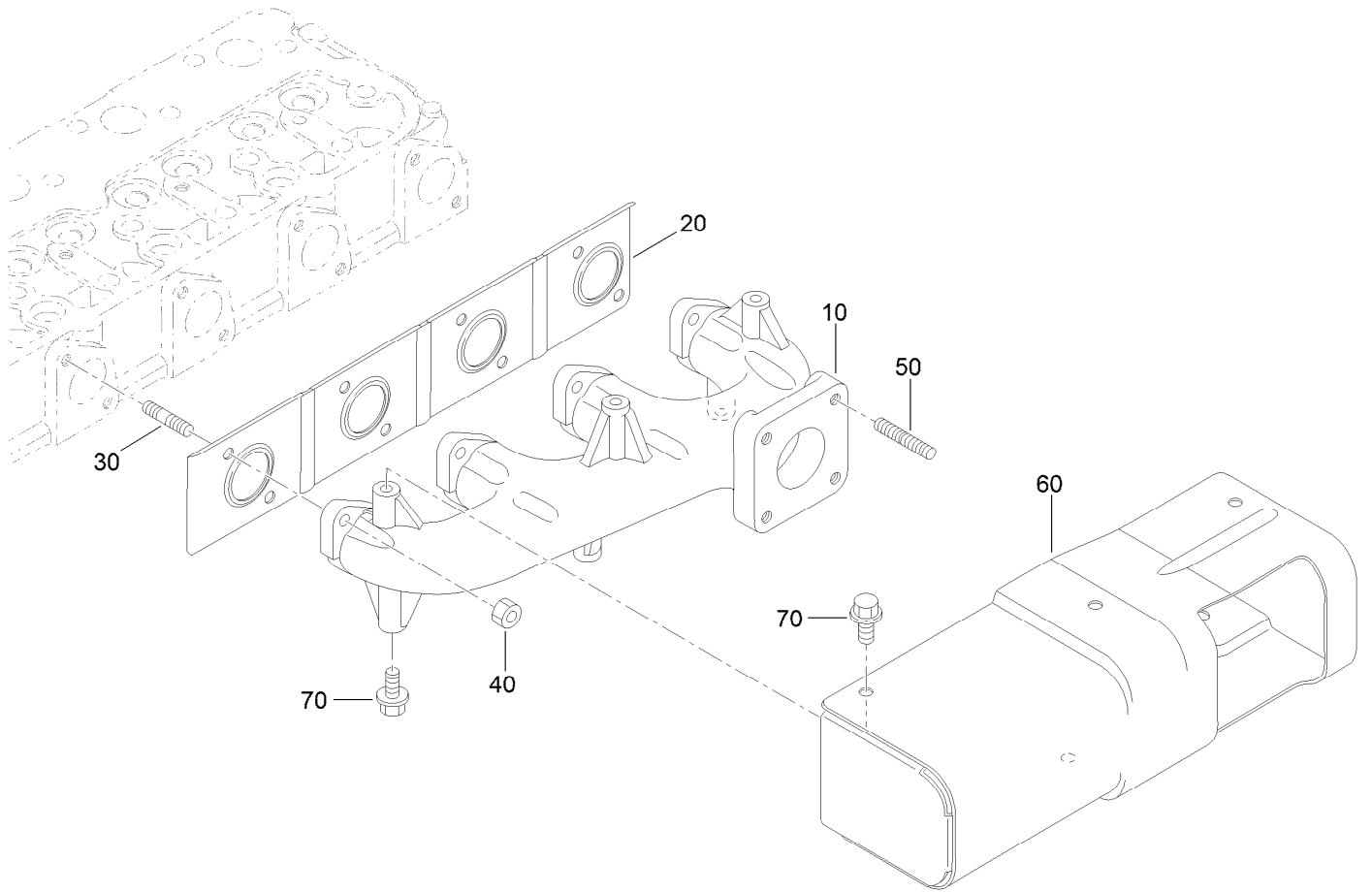
Valve and Rocker Arm Assembly

<i>Ref.</i>	<i>Part Number</i>	<i>Qty.</i>	<i>Description</i>	<i>Ref.</i>	<i>Part Number</i>	<i>Qty.</i>	<i>Description</i>
10	127-0475	4	Valve-Intake	100	98-9505	4	Bracket-Arm, Rocker
20	127-0476	4	Valve-Exhaust	110	98-9506	4	Stud
30	98-9626	8	Spring-Valve	120	131-6563	4	Nut-Flange
40	107-9092	8	Retainer-Spring	140	105-3758	1	Pin-Spring
50	117-7572	8	Collet-Spring, Valve	150	98-9507	2	Washer-Shaft, Rocker Arm
60	99-8385	4	Seal-Stem, Valve	160	110-3832	2	Washer-Plain
65	127-0477	4	Seal-Stem, Valve	170	98-9504	3	Spring-Arm, Rocker
70	98-9497	8	Cap-Valve	190	112-7020	8	Rocker Arm ASM
80	127-0420	1	Shaft-Arm, Rocker	200	98-9502	8	Screw-Adjusting
90	99-8363	2	Bolt-Flange	210	98-9503	8	Nut



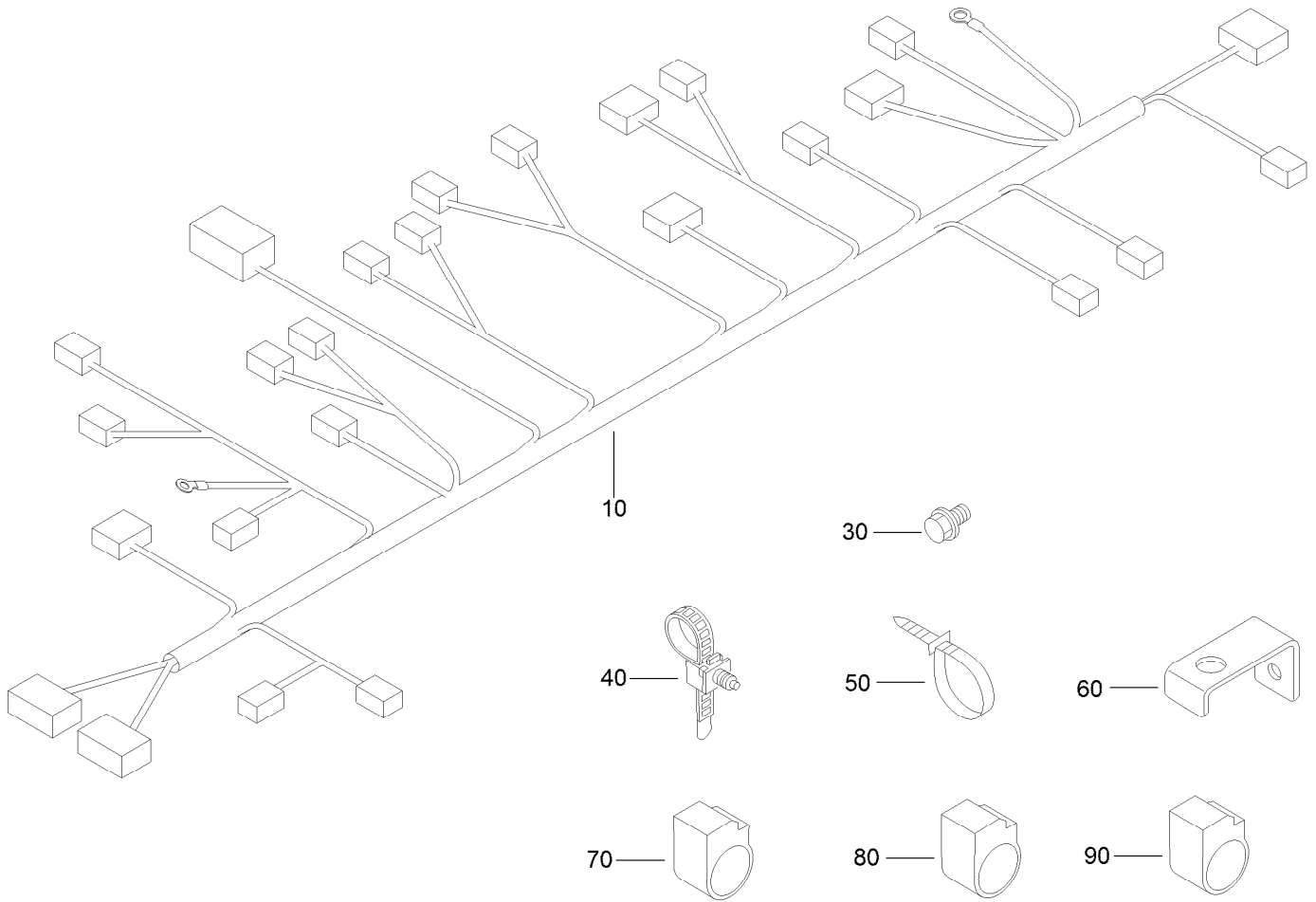
Inlet Manifold Assembly

<i>Ref.</i>	<i>Part Number</i>	<i>Qty.</i>	<i>Description</i>
10	127-0471	1	Manifold-Intake
30	127-0470	1	Joint-Tube, Breather
40	98-7539	1	Cap-Sealing
50	125-9110	1	Sensor (Tmap)
55	125-9112	1	O Ring
60	125-9111	2	Bolt-Flange
70	127-0492	1	Throttle Body ASM
80	127-0493	1	Gasket-Throttle
90	127-0405	1	Bolt-Flange
100	127-0472	1	Gasket-Intake
110	98-9352	6	Bolt
120	125-9092	2	Stud
130	100-2203	2	Nut-Flange
140	127-0496	4	Bracket-Harness
150	100-1774	4	Bolt-Flange



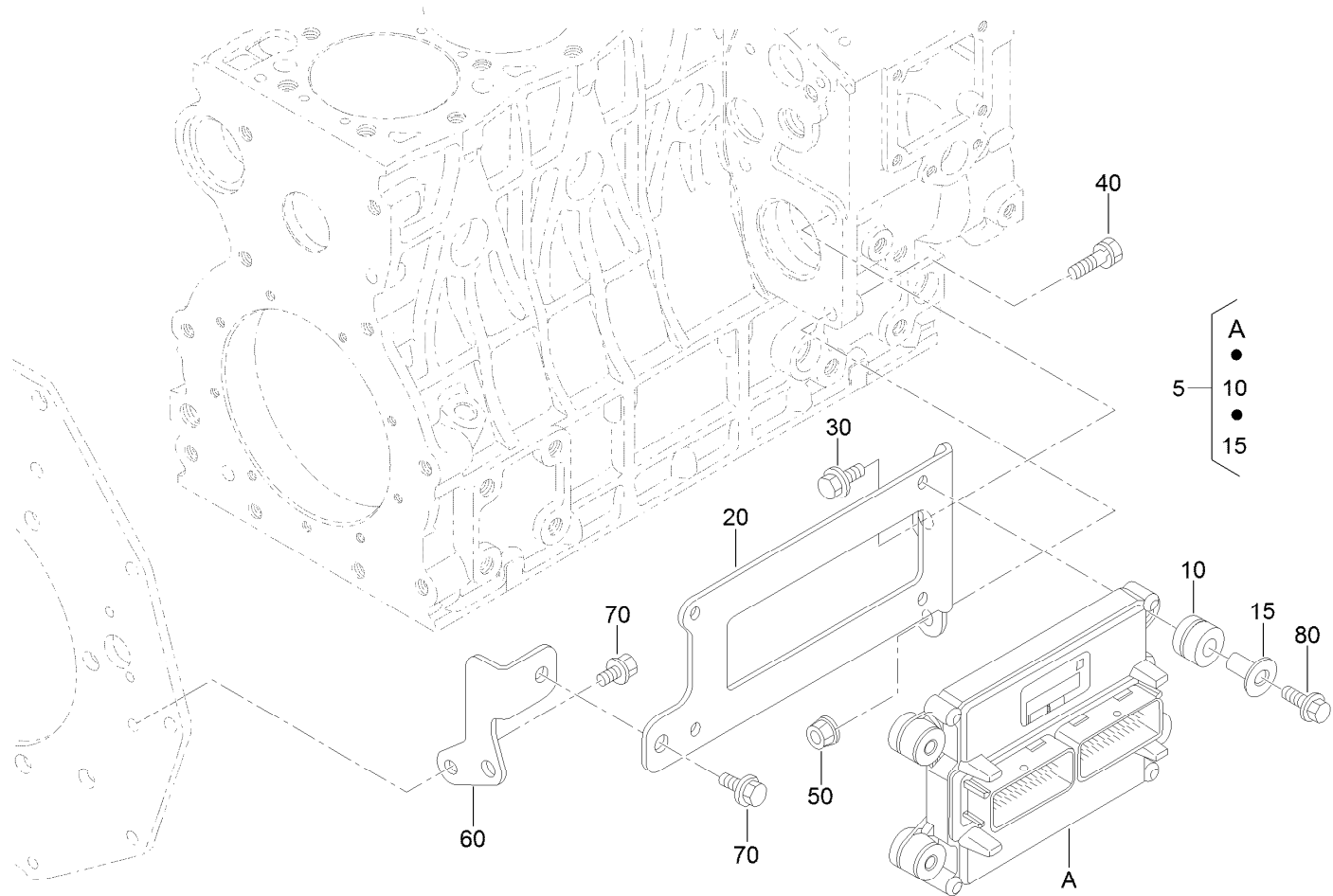
Exhaust Manifold Assembly

<i>Ref.</i>	<i>Part Number</i>	<i>Qty.</i>	<i>Description</i>
10	131-9592	1	Manifold-Exhaust
20	127-0474	1	Gasket-Manifold, Exhaust
30	127-0507	8	Stud
40	98-9665	8	Nut
50	127-0446	4	Stud
60	131-9593	1	Cover-Exhaust
70	99-8363	6	Bolt-Flange



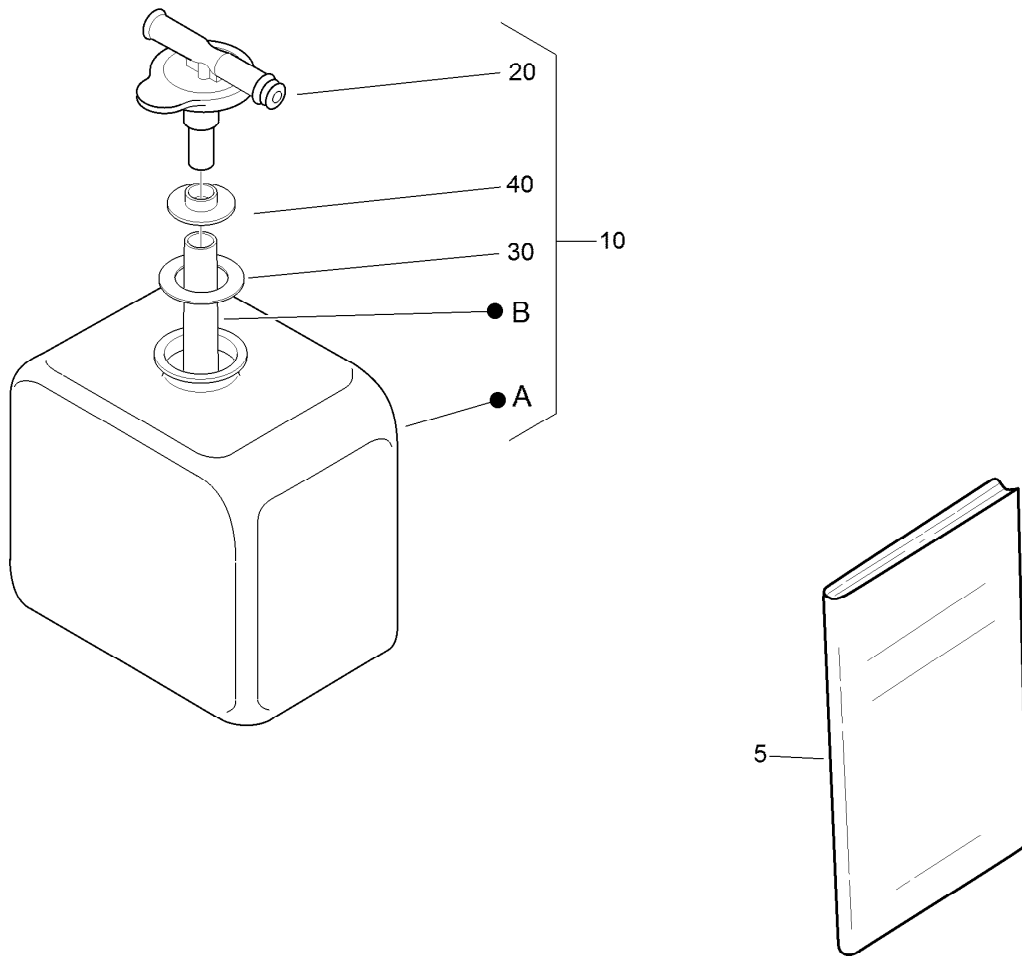
Wire Harness Assembly

<i>Ref.</i>	<i>Part Number</i>	<i>Qty.</i>	<i>Description</i>
10	139-6131	1	Wire Harness ASM
30	115-8504	1	Bolt-Flange
40	127-0515	1	Clamp
50	127-0447	4	Band-Cord
60	127-0497	1	Bracket-Harness
70	127-0514	1	Clamp
80	127-0513	2	Clamp
90	127-0512	1	Clamp



Electronic Control Unit Assembly

Ref.	Part Number	Qty.	Description
5	133-2789	1	Electronic Control Unit ASM
10	127-0501	4	Rubber-Cushion
15	127-0500	4	Spacer (E C U)
20	127-0502	1	Stay-E C M
30	127-0406	1	Bolt-Flange
40	98-7697	1	Bolt
50	112-2492	1	Nut-Flange
60	127-0503	1	Stay-E C M
70	115-8504	2	Bolt-Flange
80	125-9094	4	Bolt-Flange



Miscellaneous Engine Parts

<i>Ref.</i>	<i>Part Number</i>	<i>Qty.</i>	<i>Description</i>
5	136-2287	1	Manual-Owners
10	108-0638	1	Bottle-Overflow
20	105-3754	1	Cap
30	105-3755	1	Gasket
40	105-3756	1	Plate

Attachments and Accessories

For 41394 Multi Pro 5800-G Turf Sprayer with ExcelaRate Spray System

Product Name	Model/Part
Premium All Season Hydraulic Fluid (55 Gallon Drum)	108-1177
Premium All Season Hydraulic Fluid (5 Gallon Pail).....	108-1178
Premium Heavy Duty All Season Gear Lube (Pail)	108-1188
Premium All Purpose Grease (Tube)	108-1190
Premium Heavy Duty All Season Gear Lube (Quart)	108-1591
Spark Arrestor	115-2919
Tire	119-6021
Beacon Kit	120-8505
License Plate Kit.....	120-8506
Covered Boom Spring Upgrade Kit.....	120-8508
Premium Engine Oil 10w30 (55 Gallon Drum)	121-6392
Premium Engine Oil 10w30 (5 Gallon Pail)	121-6393
Wheel And Tire Asm	127-1100
Lance Suction Assembly	127-9826
Low Flow Kit	130-7258
Ultra Sonic Boom Finishing Kit.....	130-8229
Right Hand Step Kit	130-8230
Left Hand Step Kit.....	130-8231
Pivoting Hose Reel Finishing Kit, 2014 and Before Multi-Pro 5800 Turf Sprayer	131-3291
Pump Head Kit.....	133-2898
Finishing Kit, Foam Marker for Serial Number 315000001 and After Multi Pro 5800 Turf Sprayer.....	136-0458
AutoSteer Finish Kit, Serial Number 316000001 and After Multi Pro 5800 Turf Sprayer with GeoLink	138-6246
Rear Work Light Kit.....	41010
Single Nozzle Kit.....	41023
Hand Spray Wand Kit	41118
Pro Foam Concentrate (4 x 1 Gallon)	41157
Nozzalert - Mp Nozzle Flow System	41166
Ultra Sonic Boom Leveling Kit	41219
Foam Marker Kit	41249
Drift Reduction Boom Shroud Kit	41602
Pro-Foam.....	41607
Tank Rinse Kit.....	41614
Pivoting Hose Reel Kit	41621
Eductor Kit	41622
GSM RTK Correction Modem Kit, GeoLink Precision Spray System.....	41625
Road Light / Homologation Kit	41628
X25 GeoLink Precision Spray System Kit, Serial Number 315000001 and After Multi Pro 1750 or 5800 Turf Sprayer	41630
Geolink Lte Precision Spray System.....	41633
Geolink - GSM	41634
TNL Reference Antenna Kit, MR-2	41635
Autoguidance Kit - Multi Pro 5800.....	41636
X25 Monitor Kit	41637
CL-55 CDMA Modem Kit	41638
Clutch Assembly, Right.....	41639

Attachments and Accessories (continued)

Geolink Finish Kit, Mp 5800 41675



Count on it.