



Choke Cable Kit

Greensmaster® eTriFlex 3360 Traction Unit

Model No. 147-3066

Installation Instructions

Installation

1

Preparing the Machine

No Parts Required

Procedure

1. Park the machine on a level surface.
2. Engage the parking brake.
3. Lower the cutting units.
4. Shut off the machine and remove the key.
5. Disconnect the main-power connectors; refer to your machine *Operator's Manual*.

2

Removing the Existing Choke Cable

No Parts Required

Removing the Choke Cable from the Engine

Take note of the cable routing from the engine to the console. The new cable follows the same routing direction as the old cable.

1. Raise the hood.
2. Remove the hardware that secures the choke cable to the engine ([Figure 1](#)).

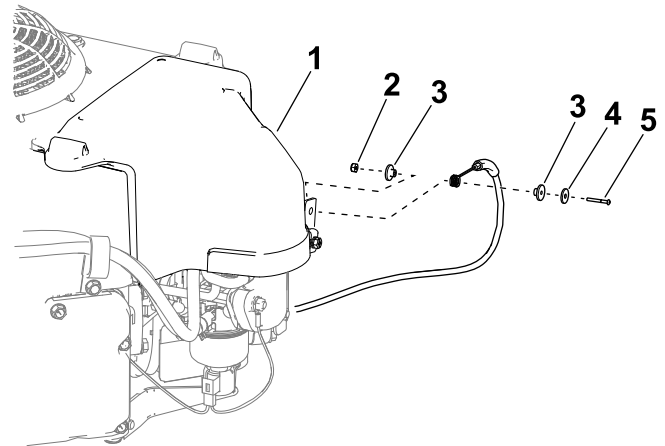


Figure 1

- | | |
|-----------|-----------|
| 1. Engine | 4. Spacer |
| 2. Nut | 5. Bolt |
| 3. Spacer | |

g399376

3. Remove the choke cable from the engine.



Removing the Choke Cable from the Console

1. Remove the 10 button-head screws from the console and remove the console plate (Figure 2). Retain the screws.

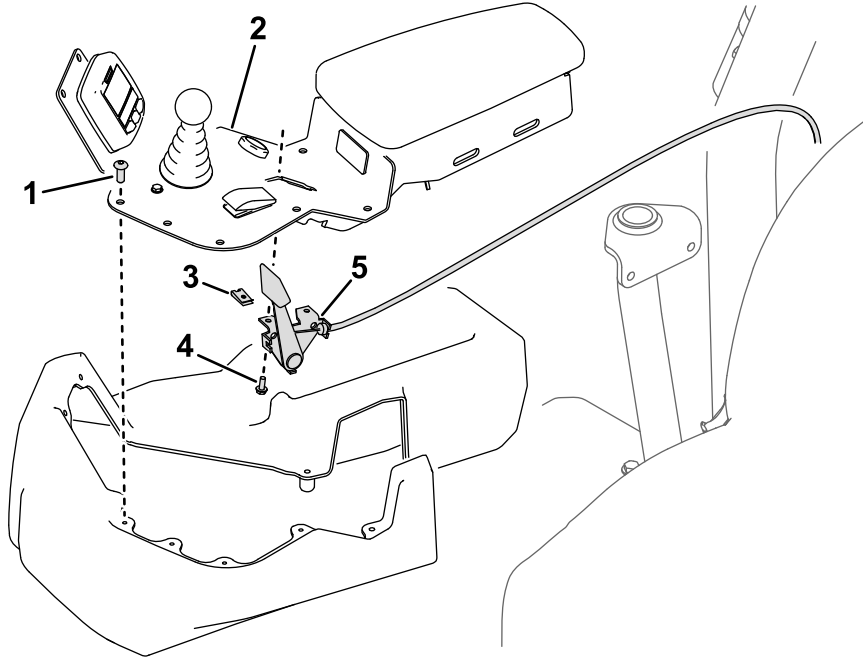


Figure 2

g398898

1. Button-head screw
2. Console plate
3. Speed nut
4. Bolt
5. Choke cable

2. Remove the bolts and speed nuts that secure the choke cable to the console plate (Figure 2).
3. Remove the choke cable from the machine.

3

Installing the Choke Cable

Parts needed for this procedure:

1	Choke cable
3	Cable tie
2	Spacer
1	Washer
1	Bolt
1	Nut

Installing the Choke Cable to the Console

Refer to Figure 2 for this procedure.

1. Use the previously removed bolts and speed nuts to secure the choke cable to the console plate.
2. Use the previously removed 10 button-head screws to secure the console plate to the console.

Routing the Choke Cable

Route the choke cable as shown in [Figure 3](#).

Note: The new cable follows the same routing direction as the old cable.

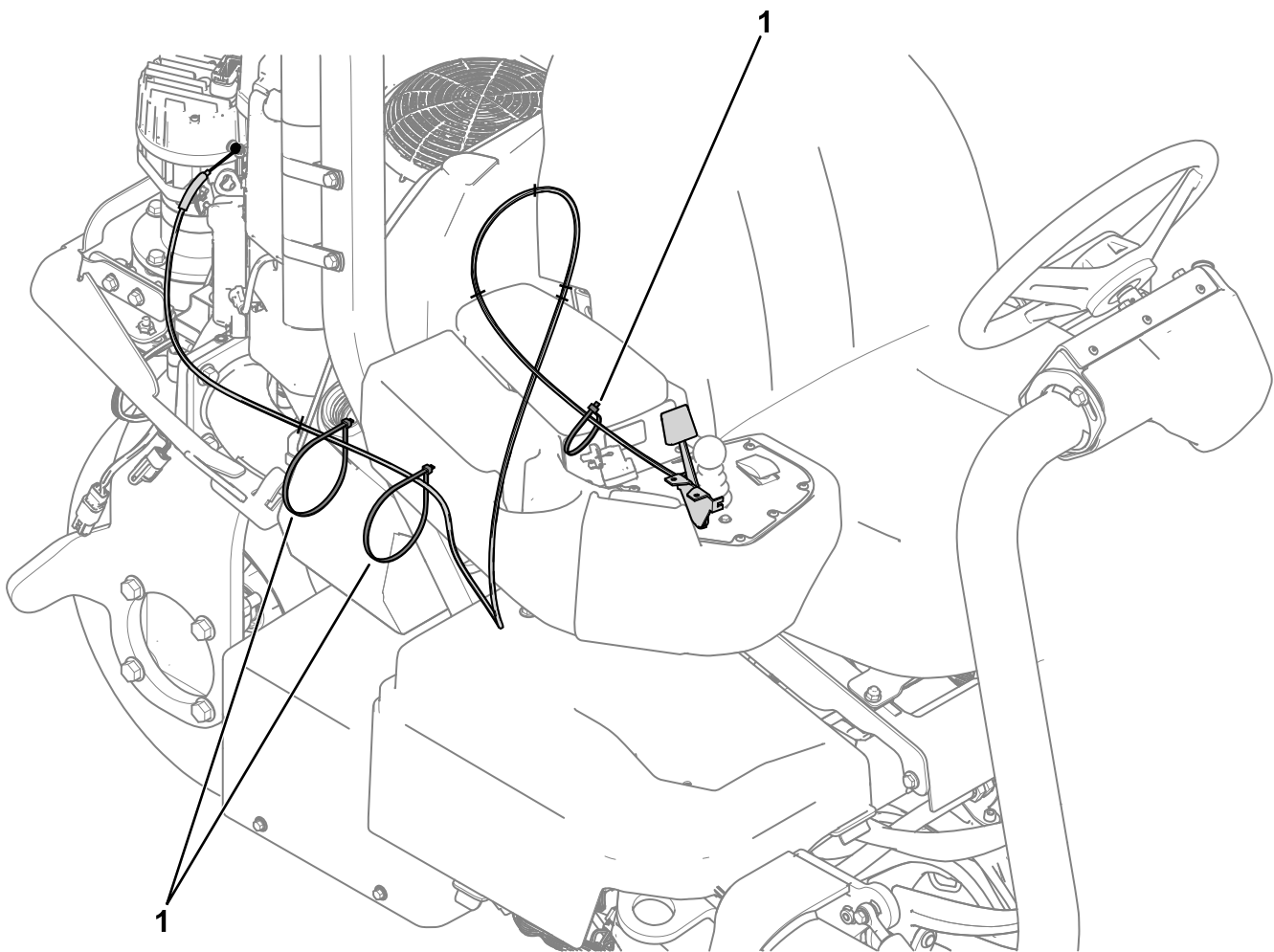


Figure 3

g399377

1. Cable ties

Installing the Choke Cable to the Engine

1. Set the choke lever to the full OPEN position.
2. Use the bolt, spacers, washer, and nut to secure the choke cable to the choke lever at the carburetor ([Figure 1](#)).
3. Set the choke lever at the carburetor to the full CLOSED position.

Completing the Installation

Install cable ties to secure the choke cable in-place as shown in [Figure 3](#).



Count on it.