



Count on it.

Parts Catalog

TimeCutter® 42in Riding Mower

Model No. 75742—Serial No. 411000000 and Up



Ordering Replacement Parts

To order replacement parts, please supply the part number, the quantity, and the description of each part desired.

Understanding Reference Numbers

Each identified part in an illustration has a reference number. The reference number for a part also appears in the parts list, along with other information about the part.

This catalog uses two special reference number formats, one to indicate parts in a service assembly and another to indicate the quantity of a given part in an illustration.

Service Assembly Reference Numbers

Parts in service assemblies have reference numbers in the form a:b. The a represents the reference number of the entire service assembly and the b represents a sequential number unique to each part within the service assembly.

For example, a wheel assembly might be identified by reference number 6, the tire by 6:1, the valve by 6:2, and the wheel by 6:3. When you order the assembly identified by reference number 6, you receive all parts identified by reference numbers 6:1, 6:2, and 6:3. However, you may also order any part individually. Reference numbers of this type appear in illustration and in parts lists.

Reference Numbers Indicating Quantity

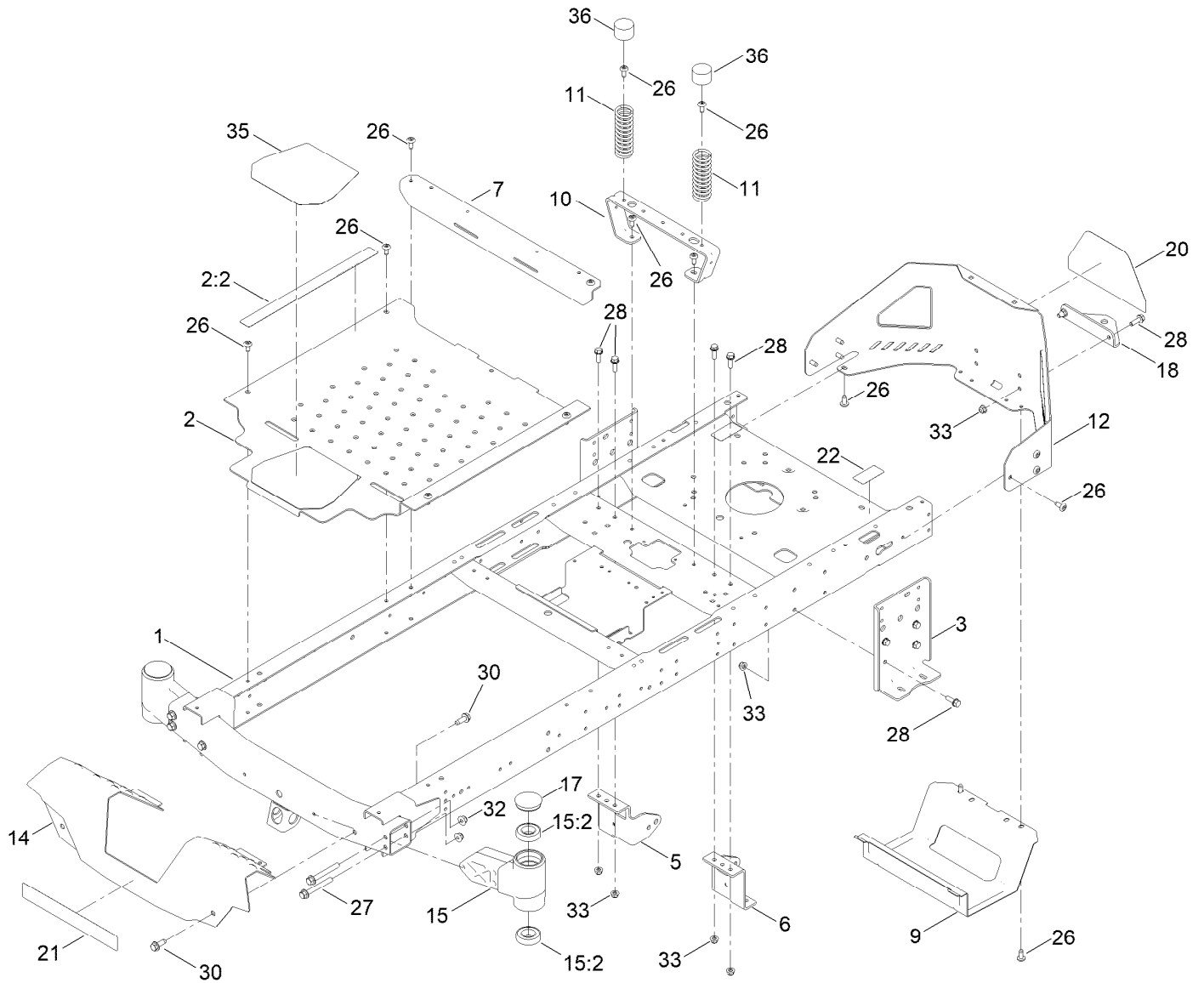
In an illustration, if a reference number indicates more than one part, the reference number has the form nX y. The n represents the quantity of the part, the X is the multiplication symbol, and the y represents the reference number.

For example, in an illustration, the reference number 2X 37 means that two of the parts identified by reference number 37 are indicated.

Contents

Frame Assembly	4
Deck Lift Assembly	6
Caster, Wheel and Tire Assembly	8
Traction Drive Assembly	10
LH Hydro Transmission Assembly No. 139-7450	12
RH Hydro Transmission Assembly No. 139-7451	14
Brake Assembly	16
Rear Tire Assembly	18
Seat Pan Assembly	20
Seat Assembly No. 147-5157	22
Motion Control Assembly	24
Engine and Muffler Assembly	26
Fuel System Assembly	28
Carburetor Assembly	30
Air Intake and Filtration Assembly	32
Ignition and Cooling Fan Assembly	34
Crankcase and Crankshaft Assembly	36
Governor Control Assembly	38
Piston and Cylinder Head Assembly	40
Blower Housing Assembly	42
Gasket and Seal Kit	44
Fuel Pod Assembly	46
Electrical Assembly	48
42 Inch Deck Assembly	50
Frame Decal Assembly	52
Clutch Assembly	54
Attachments and Accessories	56

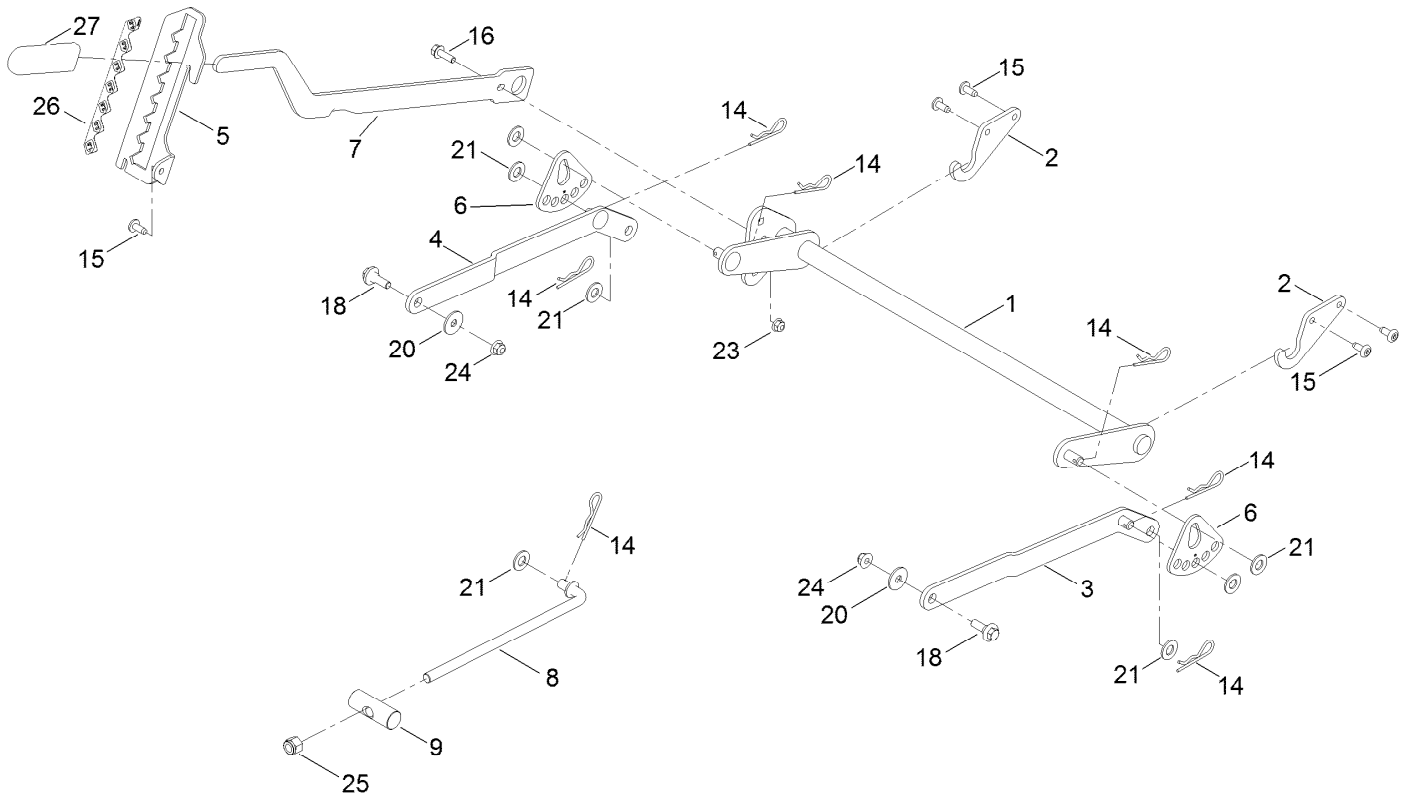
Frame Assembly



Frame Assembly (continued)

<i>Ref.</i>	<i>Part Number</i>	<i>Qty.</i>	<i>Description</i>	<i>Ref.</i>	<i>Part Number</i>	<i>Qty.</i>	<i>Description</i>
1	137-9820-01	1	Frame Assembly	17	138-7200	2	Cap-Grease
2	140-5045	1	Pan-Floor ASM	18	117-1232-03	1	Bracket-Hitch
2:2	144-5288	1	Decal-Warning	20	139-5890	1	Decal-Timecutter
3	138-7520-01	2	Plate-Mount, Hydro	21	139-2387	1	Decal-Timecutter
5	137-7020-01	1	Mount-Hydro, Front (Right)	22	121-2989	2	Decal-Bypass
6	139-3211-01	1	Mount-Hydro, Front (Left)	26	138-9753	20	Screw
7	138-9791-01	1	Brace-Cross	27	139-2429	4	Screw-HHF
9	138-0867-03	1	Guard-Muffler	28	3234-29	14	Screw-HHF
10	138-6036-03	1	Support-Seat	30	139-2428	4	Screw-HWH
11	138-2548	2	Spring-Compression	32	139-2430	4	Nut-HF, NI
12	138-9820-03	1	Guard-Engine	33	104-8300	14	Nut-HF, NI
14	138-9827-01	1	Footrest	35	139-3220	1	Tread-Step
15	140-2098	2	Axle Stub ASM	36	701178	2	Cap-Protector
15:2	109-3678	2	Bearing-Ball				

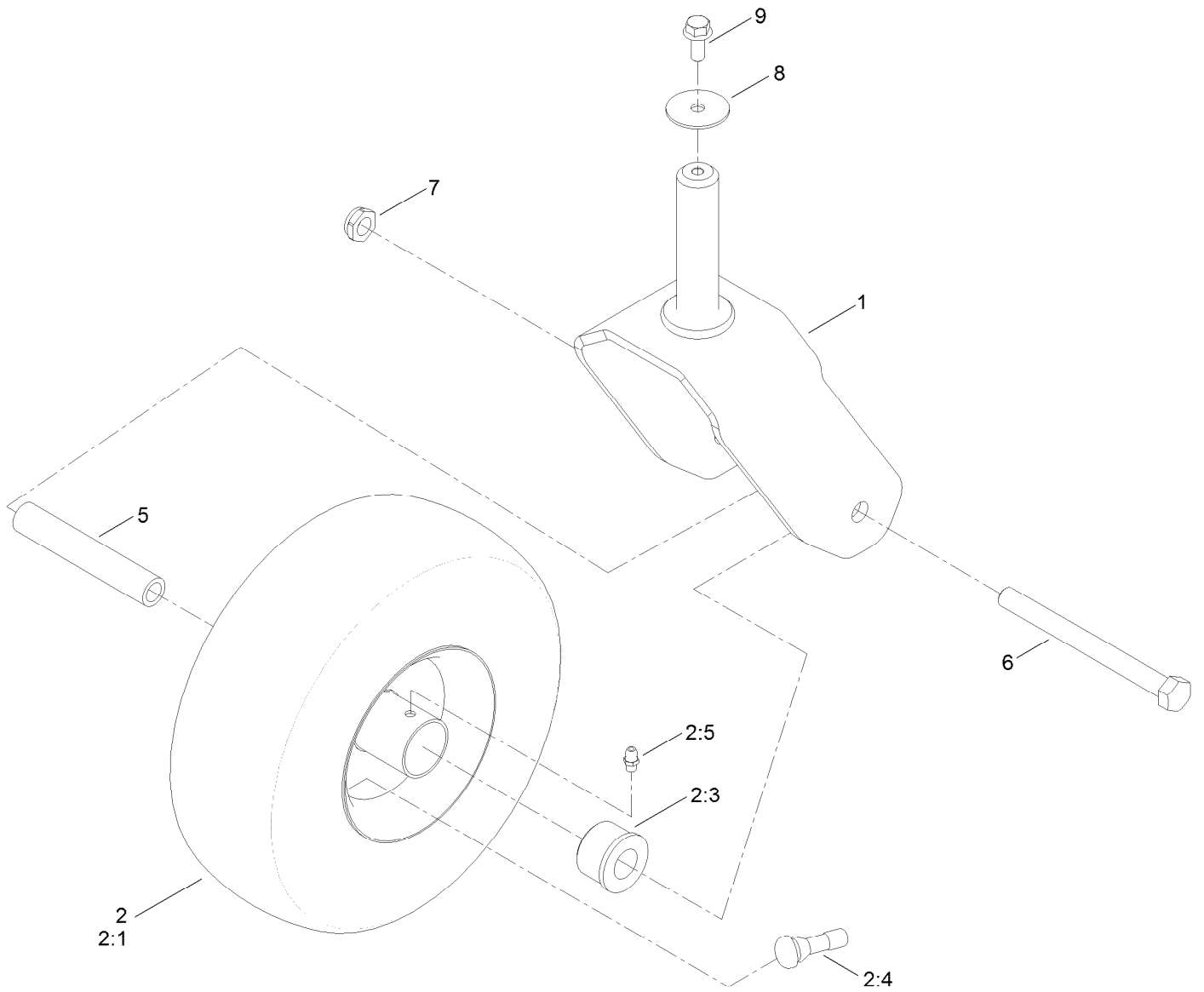
Deck Lift Assembly



Deck Lift Assembly (continued)

<i>Ref.</i>	<i>Part Number</i>	<i>Qty.</i>	<i>Description</i>	<i>Ref.</i>	<i>Part Number</i>	<i>Qty.</i>	<i>Description</i>
1	137-7093-03	1	Deck Lift ASM	15	138-9753	5	Screw
2	138-6021	2	Bracket-Pivot, Decklift	16	3234-29	1	Screw-HHF
3	137-9844	1	LH Arm ASM	18	137-9847	2	Screw-Shoulder
4	137-9846	1	RH Arm ASM	20	93-8806	2	Washer-Hardened
5	139-2350-01	1	Bracket-HOC	21	3256-26	7	Washer-Flat
6	138-2564	2	Plate-Adjustment, HOC	23	104-8300	1	Nut-HF, NI
7	137-7087-03	1	Lever-Lift	24	104-8301	2	Nut-HF, NI
8	138-6050	1	Rod-Mount, Deck	25	3296-19	1	Nut-Hex
9	119-8810	1	Pin-Pivot	26	139-2392	1	Decal-HOC
14	1-806005	7	Pin-Cotter	27	1-633268	1	Grip-Lever

Caster, Wheel and Tire Assembly



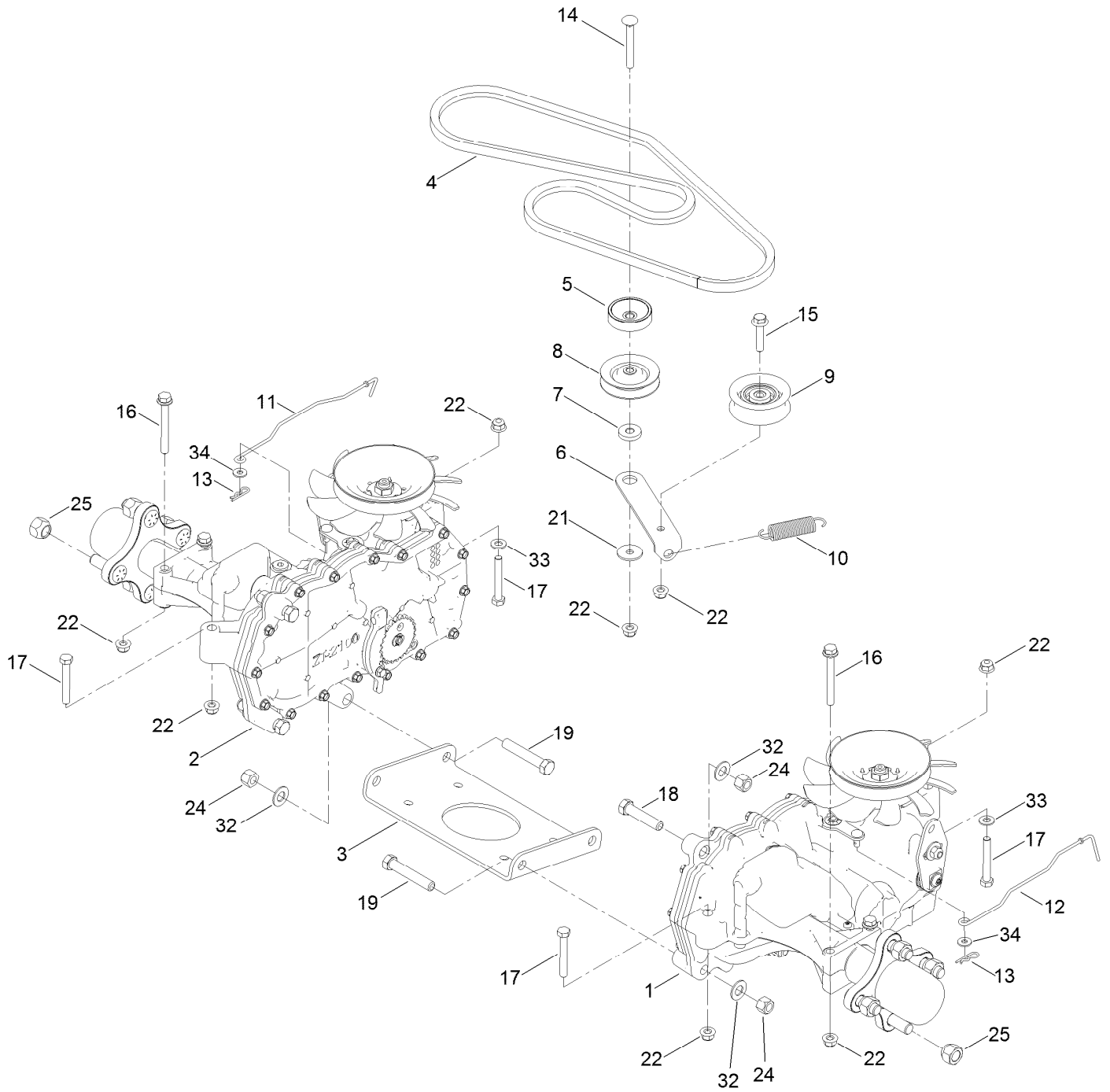
Caster, Wheel and Tire Assembly (continued)

<i>Ref.</i>	<i>Part Number</i>	<i>Qty.</i>	<i>Description</i>	<i>Ref.</i>	<i>Part Number</i>	<i>Qty.</i>	<i>Description</i>
1	139-3274-01	2	Fork ASM	2:99	105-0844	1	Tube-Inner●■
2	139-5842	2	Tire ASM	5	138-7240	2	Bushing-Spanner
2:1	140-2736	1	Tire	6	325-22	2	Screw-HH
2:3	114-1640	2	Bushing-Flange	7	3296-45	2	Nut-Hex
2:4	232-27	1	Stem-Valve	8	3256-68	2	Washer-Flat
2:5	302-5	1	Fitting-Grease	9	3234-47	2	Screw-HHF

● Not illustrated

■ Optional Equipment

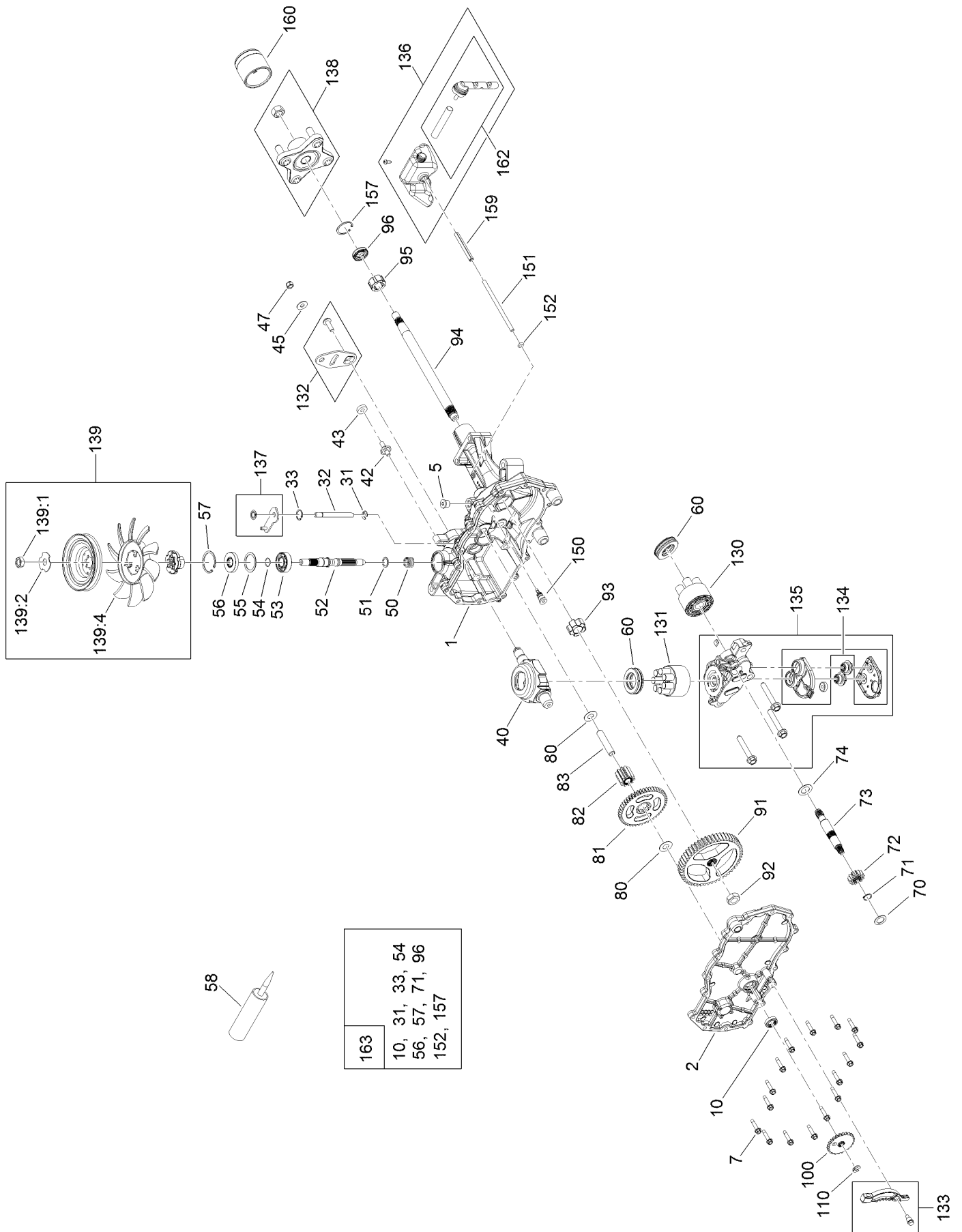
Traction Drive Assembly



Traction Drive Assembly (continued)

<i>Ref.</i>	<i>Part Number</i>	<i>Qty.</i>	<i>Description</i>	<i>Ref.</i>	<i>Part Number</i>	<i>Qty.</i>	<i>Description</i>
1	139-7450	1	LH Hydro Transaxle ASM	14	3230-8	1	Screw-CARR
2	139-7451	1	RH Hydro Transaxle ASM	15	115-1794	1	Screw-HHF
3	138-2571-03	1	Crossplate-Hydro	16	138-7590	4	Screw-HHF
4	139-2399	1	V-Belt	17	322-11	4	Screw-HH
5	138-9809	1	Spacer	18	324-8	2	Screw-HH
6	138-7276	1	Arm-Idler	19	324-10	4	Screw-HH
7	138-7277	1	Spacer-Arm, Idler	21	5-4460	1	Washer-Pivot
8	68-0030	1	Idler	22	104-8300	10	Nut-HF, NI
9	138-7597	1	Pulley-Idler, Flat	24	3296-48	6	Nut-Hex
10	137-7040	1	Spring-Return, Pedal	25	242-50	8	Nut-Lug
11	138-7245	1	Rod-Bypass, RH	32	3256-25	6	Washer-Flat
12	138-7243	1	Rod-Bypass, LH	33	3256-23	2	Washer-Plain
13	3290-307	2	Pin-Cotter	34	119-8952	2	Washer

LH Hydro Transmission Assembly No. 139-7450



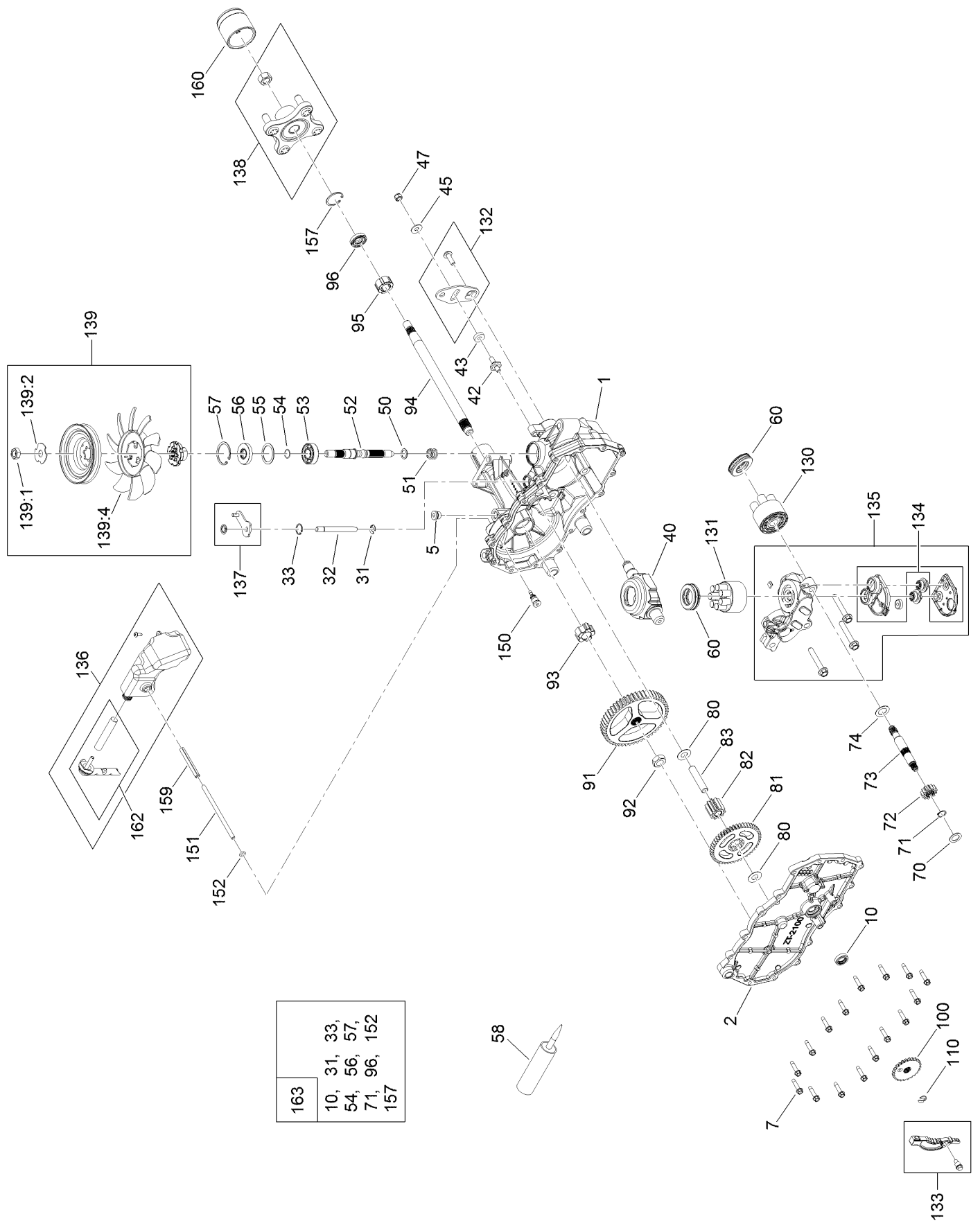
- | |
|----------------|
| 163 |
| 10, 31, 33, 54 |
| 56, 57, 71, 96 |
| 152, 157 |

LH Hydro Transmission Assembly No. 139-7450 (continued)

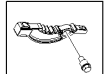
<i>Ref.</i>	<i>Part Number</i>	<i>Qty.</i>	<i>Description</i>	<i>Ref.</i>	<i>Part Number</i>	<i>Qty.</i>	<i>Description</i>
1	120-5532	1	Main Housing ASM	83	104-5329	1	Pin-Jackshaft
2	120-5534	1	Housing Side Kit	91	120-5539	1	Gear-Bull
5	104-2189	1	Plug-Thread, Straight	92	104-2142	1	Nut-HJ
7	117-5359	16	Screw-HHF	93	115-8314	1	Bushing-Inboard
10		1	Seal-Lip ●	94	120-5540	1	Shaft-Axle
31	106-8677	1	Ring-Retaining, External	95	120-5541	1	Bearing-Sleeve
32	106-8678	1	Rod-Bypass	96	120-5542	1	Seal-Lip
33	106-8679	1	Ring-Retaining, Internal	100	106-8694	1	Disc-Brake, Cog
40	104-5304	1	Swashplate-Trunnion	110	106-8677	1	Ring-Retaining, External
42	104-2116	1	Stud	130	103-2666	1	Cylinder Block Kit
43	112-9853	1	Puck-Friction	131	110-8561	1	Pump Block ASM
45	114-8491	1	Washer	132	117-5362	1	Control Arm Kit
47	105-1872	1	Nut	133	106-8688	1	Brake Arm Kit
50	133-1793	1	Spring-Block	134	112-9861	1	Center Section Filter Kit
51	120-5538	1	Washer	135	114-1634	1	Filter Kit
52	104-5306	1	Shaft-Input	136	121-5730	1	RH Expansion Tank Kit
53	104-5311	1	Bearing-Ball	137	120-5549	1	Bypass Kit
54	104-5307	1	Ring-Retaining	138	121-5731	1	Hub Kit
55	104-5308	1	Spacer	139	135-7349	1	Fan And Pulley Kit
56	104-5310	1	Seal-Lip	139:1	116-9714	1	Nut-HJ
57	104-5309	1	Ring-Retaining	139:2	116-9708	1	Washer-Slotted
58	104-2147	1	Sealant	139:4	135-7364	1	Fan 7.0 X 10 Blade
60	94-6922	2	Bearing-Thrust	150	104-5349	1	Fitting-SAE
70	104-5339	1	Washer-Flat	151	115-8302	1	Hose
71	104-5340	1	Ring-Retaining	152	104-5361	1	O-Ring
72	104-5316	1	Gear-Pinnion, 13T	157	120-7102	1	Ring-Retaining
73	106-8683	1	Shaft-Motor	159	121-5728	1	Case-Tube
74	104-5360	1	Washer	160	125-0041	1	Cap-Axle
80	119-5541	1	Washer	162	139-3278	1	Breather ASM Kit
81	104-5317	1	Gear-10T/48T	163	120-7103	1	Seal And Ring Kit
82	104-5318	1	Gear-Jackshaft, 10T				

● Not serviced separately

RH Hydro Transmission Assembly No. 139-7451



- | | |
|------------|--|
| 163 | 10, 31, 33,
54, 56, 57,
71, 96, 152
157 |
|------------|--|



RH Hydro Transmission Assembly No. 139-7451 (continued)

<i>Ref.</i>	<i>Part Number</i>	<i>Qty.</i>	<i>Description</i>	<i>Ref.</i>	<i>Part Number</i>	<i>Qty.</i>	<i>Description</i>
1	120-5531	1	Main Housing ASM	83	104-5329	1	Pin-Jackshaft
2	120-5533	1	Housing Side Kit	91	120-5539	1	Gear-Bull
5	104-2189	1	Plug-Thread, Straight	92	104-2142	1	Nut-HJ
7	117-5359	16	Screw-HHF	93	115-8314	1	Bushing-Inboard
10		1	Seal-Lip ●	94	120-5540	1	Shaft-Axle
31	106-8677	2	Ring-Retaining, External	95	120-5541	1	Bearing-Sleeve
32	106-8678	1	Rod-Bypass	96	120-5542	1	Seal-Lip
33	106-8679	1	Ring-Retaining, Internal	100	106-8694	1	Disc-Brake, Cog
40	104-5304	1	Swashplate-Trunnion	110	106-8677	1	Ring-Retaining, External
42	104-2116	1	Stud	130	103-2666	1	Cylinder Block Kit
43	112-9853	1	Puck-Friction	131	110-8561	1	Pump Block ASM
45	114-8491	1	Washer	132	117-5362	1	Control Arm Kit
47	105-1872	1	Nut	133	106-8688	1	Brake Arm Kit
50	120-5538	1	Washer	134	112-9862	1	Center Section Filter Kit
51	133-1793	1	Spring-Block	135	114-1634	1	Filter Kit
52	104-5306	1	Shaft-Input	136	121-5735	1	LH Expansion Tank Kit
53	104-5311	1	Bearing-Ball	137	107-2489	1	Bypass Arm Kit
54	104-5307	1	Ring-Retaining	138	121-5731	1	Hub Kit
55	104-5308	1	Spacer	139	135-7349	1	Fan And Pulley Kit
56	104-5310	1	Seal-Lip	139:1	116-9714	1	Nut-HJ
57	104-5309	1	Ring-Retaining	139:2	116-9708	1	Washer-Slotted
58	104-2147	1	Sealant	139:4	135-7364	1	Fan 7.0 X 10 Blade
60	94-6922	2	Bearing-Thrust	150	104-5349	1	Fitting-SAE
70	104-5339	1	Washer-Flat	151	115-8302	1	Hose
71	104-5340	1	Ring-Retaining	152	104-5361	1	O-Ring
72	104-5316	1	Gear-Pinion, 13T	157	120-7102	1	Ring-Retaining
73	106-8683	1	Shaft-Motor	159	121-5728	1	Case-Tube
74	104-5360	1	Washer	160	125-0041	1	Cap-Axle
80	119-5541	1	Washer	162	139-3278	1	Breather ASM Kit
81	104-5317	1	Gear-10T/48T	163	120-7103	1	Seal And Ring Kit
82	104-5318	1	Gear-Jackshaft, 10T				

● Not serviced separately

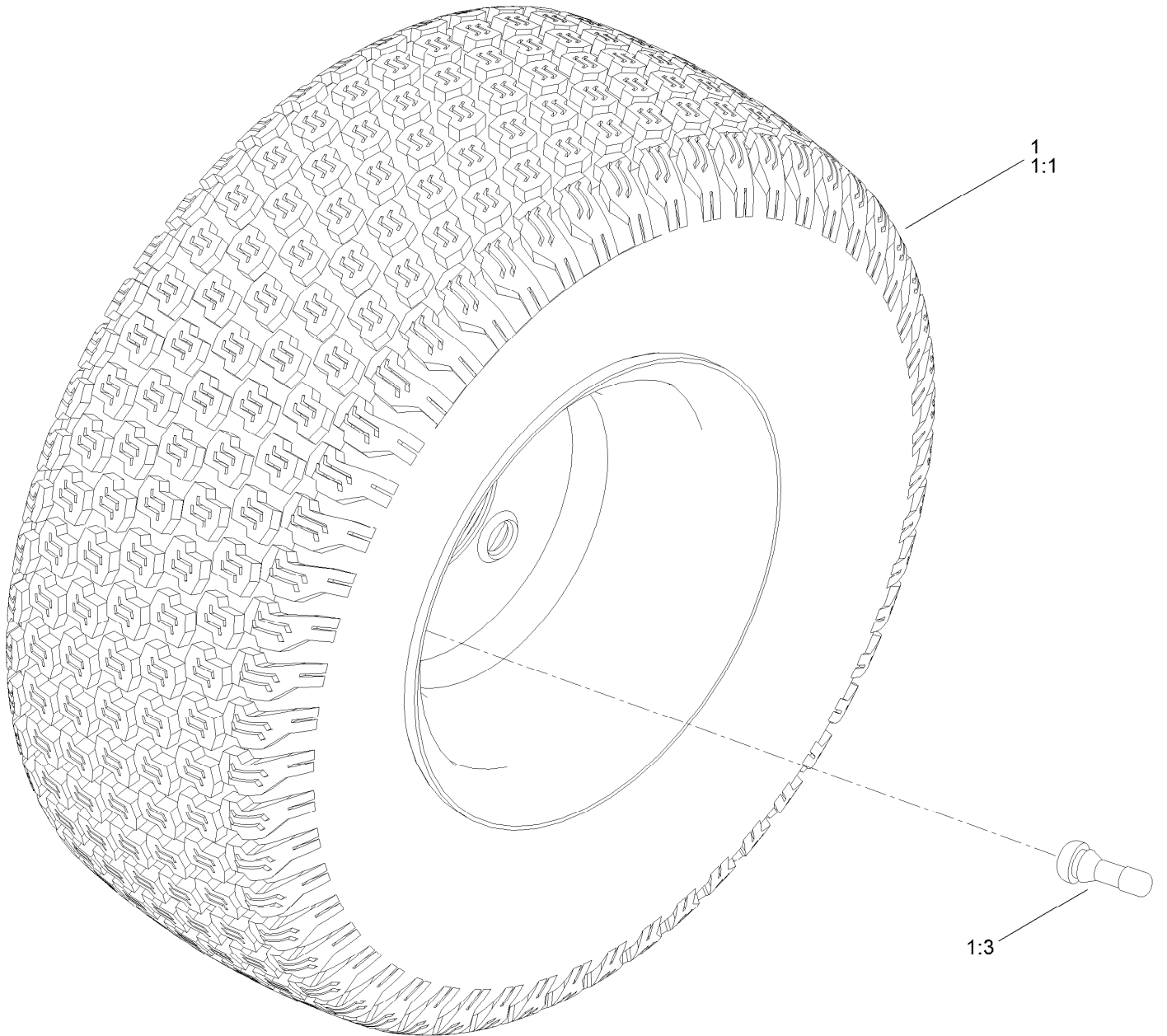
Brake Assembly



Brake Assembly (continued)

<i>Ref.</i>	<i>Part Number</i>	<i>Qty.</i>	<i>Description</i>	<i>Ref.</i>	<i>Part Number</i>	<i>Qty.</i>	<i>Description</i>
1	138-2514	1	Brake Box ASM	7	3290-307	2	Pin-Cotter
2	133-9284-03	1	Bracket-Mount, Brake	8	32144-36	4	Screw-PPH
3	138-2591	1	Rod-Brake, LH	9	32144-4	2	Screw-HWH
4	138-2592	1	Rod-Brake, RH	10	119-8952	6	Washer
5	117-1169	4	Spring-Compression	11	3296-42	2	Nut-Lock, NI

Rear Tire Assembly

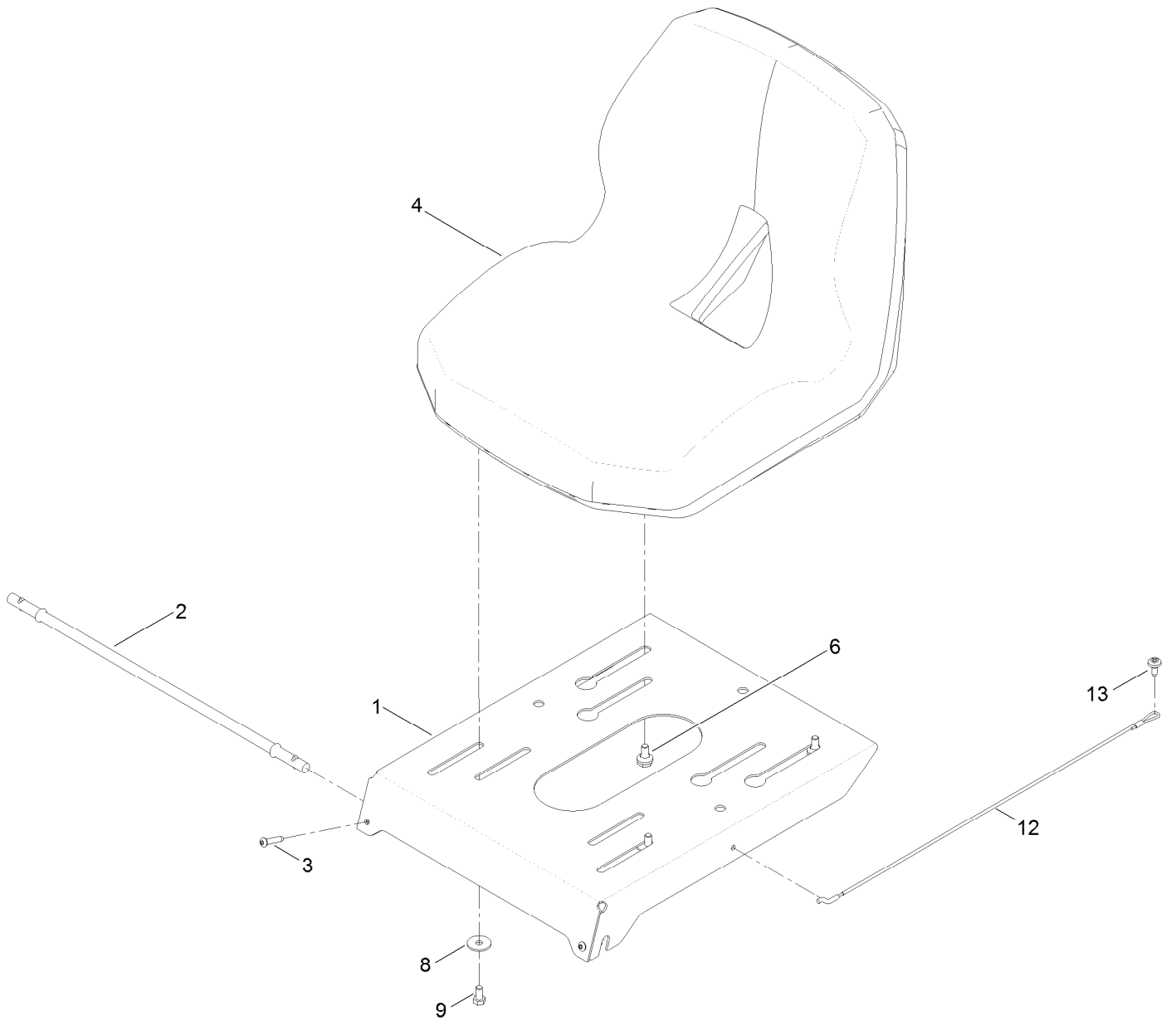


Rear Tire Assembly (continued)

<i>Ref.</i>	<i>Part Number</i>	<i>Qty.</i>	<i>Description</i>	<i>Ref.</i>	<i>Part Number</i>	<i>Qty.</i>	<i>Description</i>
1	139-5846	2	Tire ASM	1:3	232-27	1	Stem-Valve
1:1	140-2729	1	Tire	1:99	107-2491	1	Tube-Tire ●

● Not illustrated

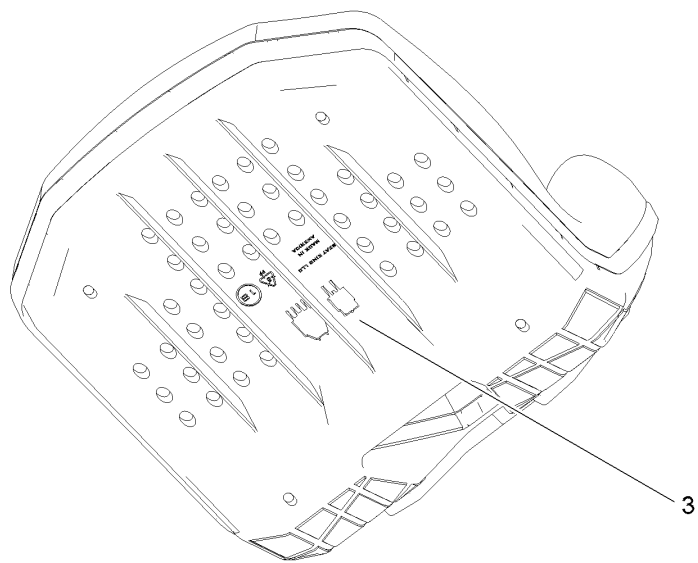
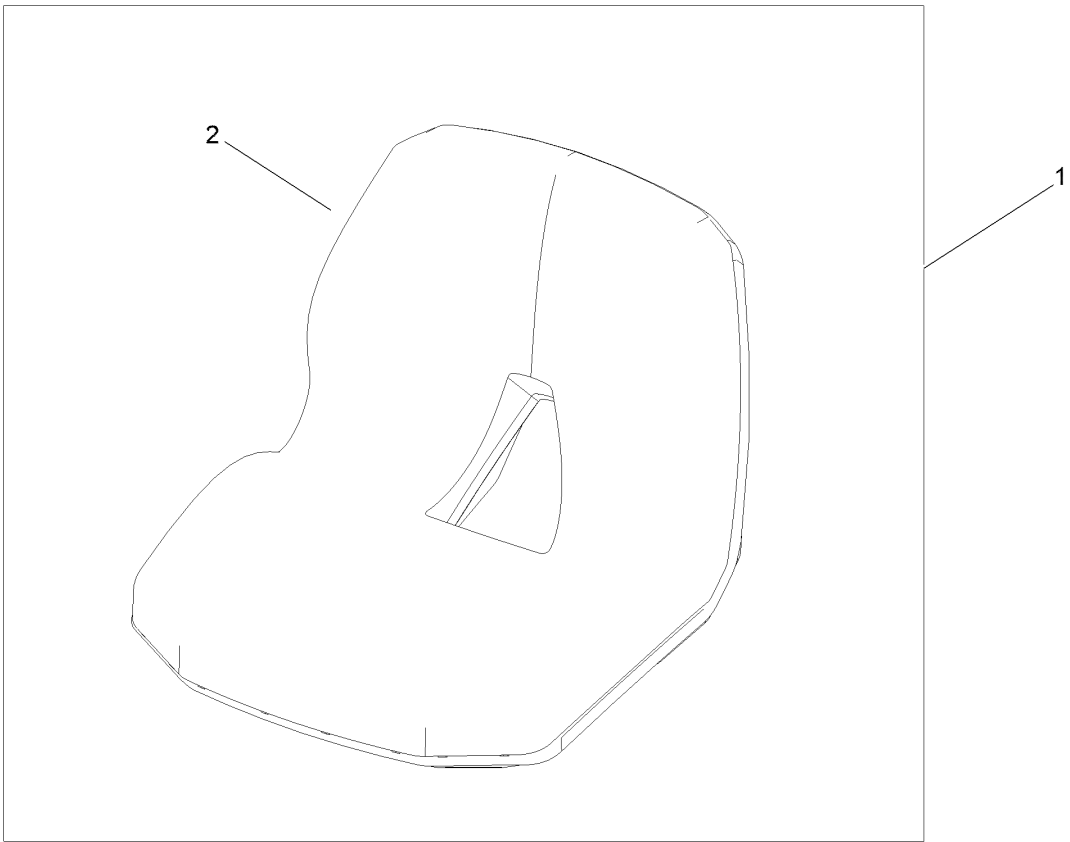
Seat Pan Assembly



Seat Pan Assembly (continued)

<i>Ref.</i>	<i>Part Number</i>	<i>Qty.</i>	<i>Description</i>	<i>Ref.</i>	<i>Part Number</i>	<i>Qty.</i>	<i>Description</i>
1	138-9781-03	1	Pan-Seat	8	5-4460	2	Washer-Pivot
2	138-7555	1	Rod-Pivot	9	322-2	2	Screw-HH
3	108-0035	2	Screw	12	139-2398	1	Cable-Lanyard
4	147-5157	1	Seat-16 In	13	120-7950	1	Screw-Torx
6	37-8771	2	Bolt-Shoulder, HF				

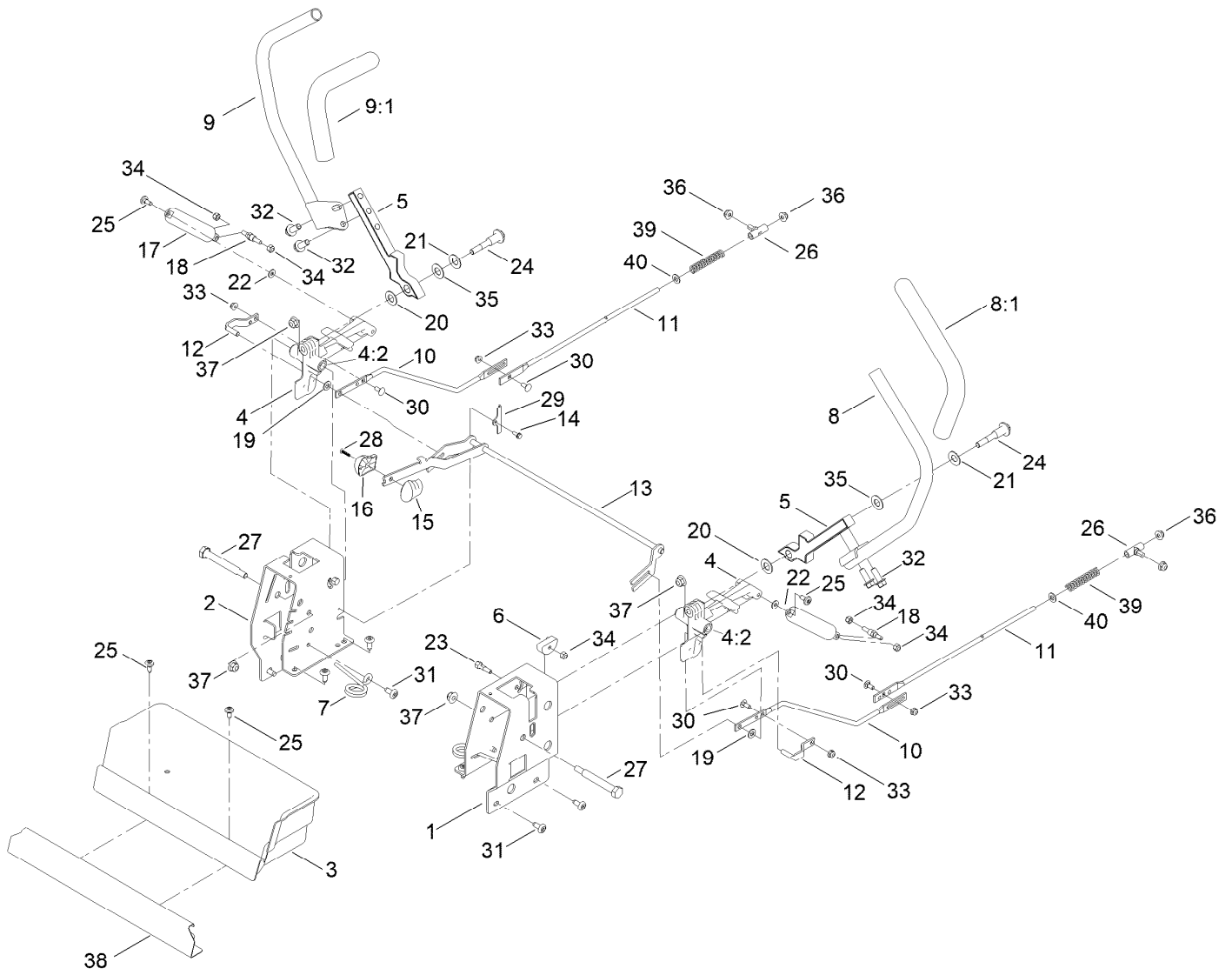
Seat Assembly No. 147-5157



Seat Assembly No. 147-5157 (continued)

<i>Ref.</i>	<i>Part Number</i>	<i>Qty.</i>	<i>Description</i>
1	139-5891	1	Seat-16 In
2	147-2983	1	Cover-Seat
3	82-2190	1	Switch-Bail

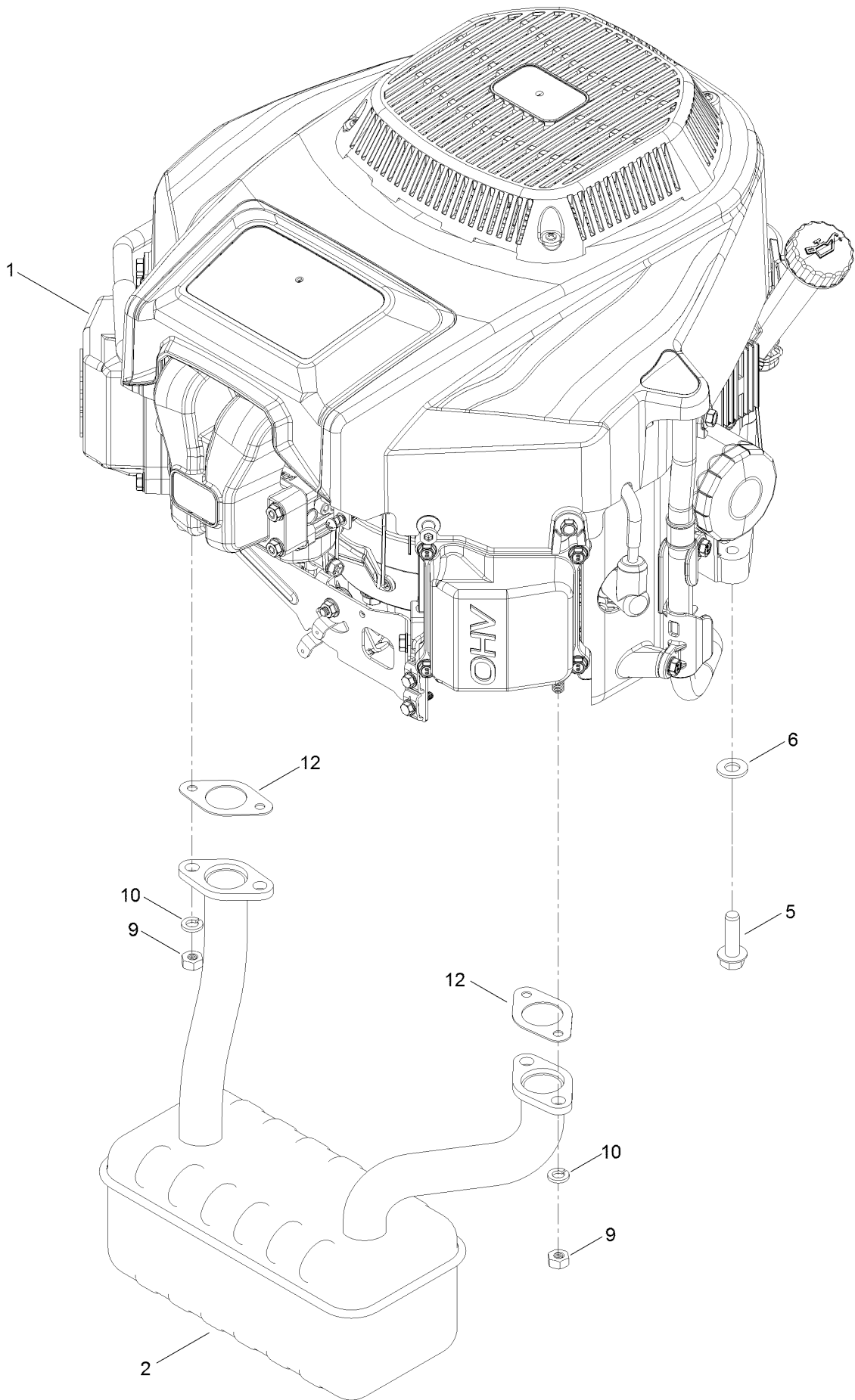
Motion Control Assembly



Motion Control Assembly (continued)

<i>Ref.</i>	<i>Part Number</i>	<i>Qty.</i>	<i>Description</i>	<i>Ref.</i>	<i>Part Number</i>	<i>Qty.</i>	<i>Description</i>
1	138-7598-03	1	Plate-Control Box, LH	20	120-2273	2	Washer-Nylon
2	138-7599-03	1	Plate-Control Box, RH	21	119-8925	2	Washer-Belleville
3	139-3279	1	Box-Storage	22	119-8952	2	Washer
4	119-3470	2	Actuator Arm ASM	23	139-5811	2	Bolt-Pivot, Eccentric
4:2	256-156	2	Bushing-Flange	24	117-1198	2	Bolt-Pivot
5	133-9299-05	2	Arm-Control	25	120-7950	4	Screw-Torx
6	139-5803	2	Eccentric	26	138-7218	2	Mount-Rod, Hydro
7	138-7539	2	Spring-Torsion	27	115-5099	2	Bolt-Pivot
8	133-7055	1	Handle-Control, LH	28	94-4496	1	Screw-PPH
8:1	121-0726	1	Grip	29	32144-1	2	Screw-Taptite
9	133-7057	1	Handle-Control, RH	30	3229-11	4	Screw-CARR
9:1	121-0726	1	Grip	31	138-9753	10	Screw
10	138-2580	2	Rod-Hydro, Front	32	3234-42	4	Screw-HHF
11	144-1818	2	Rod-Hydro, Rear	33	104-7201	4	Nut-HF, NI
12	121-1753	2	Pin-Rod, Hydro	34	3296-42	6	Nut-Lock, NI
13	138-9750	1	Speed Control ASM	35	117-1240	2	Washer
14	138-7541	2	Plate-Retainer	36	119-4041	2	Nut-HF
15	132-9368	1	Knob-RH	37	104-8301	4	Nut-HF, NI
16	132-9369	1	Knob-LH	38	139-3280-01	1	Plate-Kick
17	132-6853	2	Damper-Non Cavitating	39	138-7252	2	Spring-Compression
18	138-7215	2	Stud-Damper	40	120-9683	2	Washer-Plain
19	93-6079	2	Spacer-Nylon				

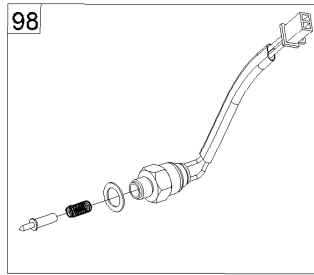
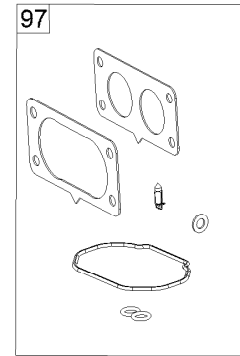
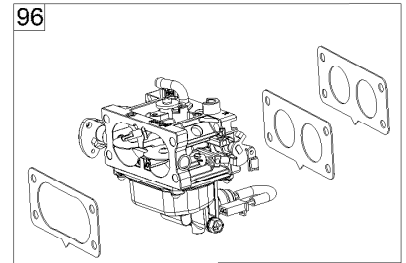
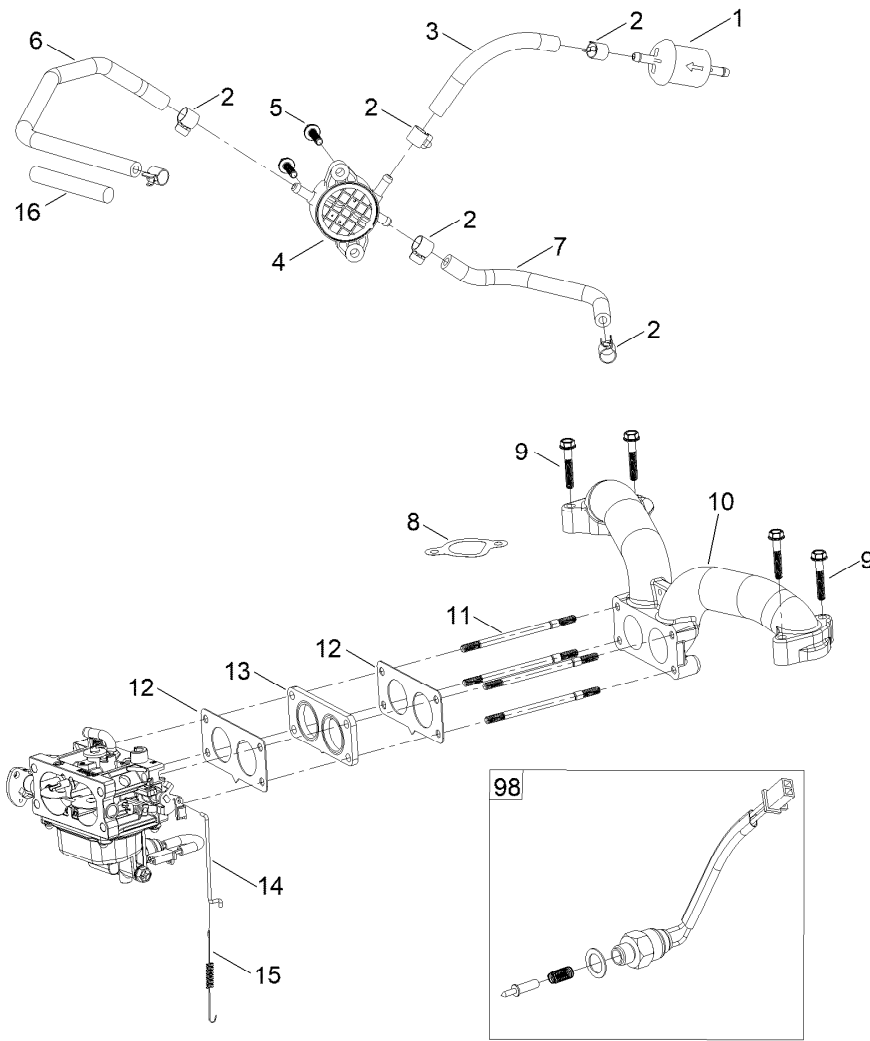
Engine and Muffler Assembly



Engine and Muffler Assembly (continued)

<i>Ref.</i>	<i>Part Number</i>	<i>Qty.</i>	<i>Description</i>	<i>Ref.</i>	<i>Part Number</i>	<i>Qty.</i>	<i>Description</i>
1	139-0601	1	Engine-2P77F	9	121-0199	4	Nut-HH
2	139-5865	1	Muffler	10	127-9279	4	Washer-Lock, Split
5	32144-109	4	Screw-Thd	12	120-4317	2	Gasket-Exhaust
6	3256-24	3	Washer-Flat				

Fuel System Assembly

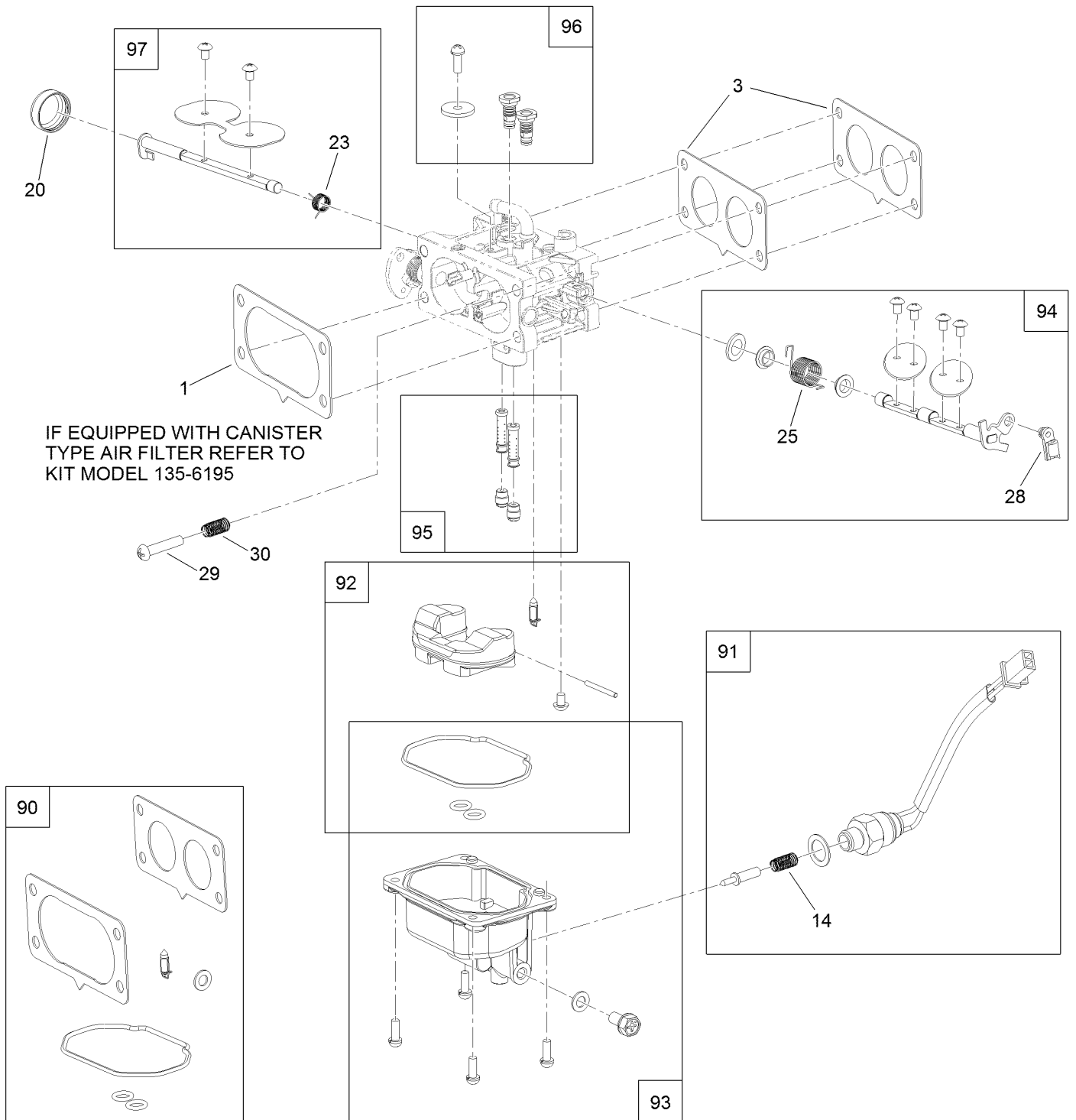


Fuel System Assembly (continued)

<i>Ref.</i>	<i>Part Number</i>	<i>Qty.</i>	<i>Description</i>	<i>Ref.</i>	<i>Part Number</i>	<i>Qty.</i>	<i>Description</i>
1	139-0717	1	Filter-Fuel	11	127-9245	4	Stud
2	139-0719	6	Clamp-Fuel Hose	12	127-9246	2	Gasket-Carburetor
3	120-4371	1	Line-Fuel	13	127-9247	1	Insulator-Carburetor
4	139-0684	1	Pump-Fuel	14	133-9963	1	Linkage-Throttle
5	120-4225	2	Screw-HHF	15	133-9964	1	Spring-Return, Throttle
6	127-9205	1	Hose-Fuel	16	127-9355	1	Sleeve-Fuel Line Protector
7	127-9207	1	Hose-Fuel	96	133-9966	1	Carburetor Replacement Kit
8	127-9230	2	Gasket-Intake	97	127-9290	1	Carburetor Repair Kit
9	120-4284	4	Screw-HHF	98	127-9292	1	Solenoid Kit
10	127-9244	1	Manifold-Intake	99	133-9968	1	High Altitude Kit ●

● Not illustrated

Carburetor Assembly

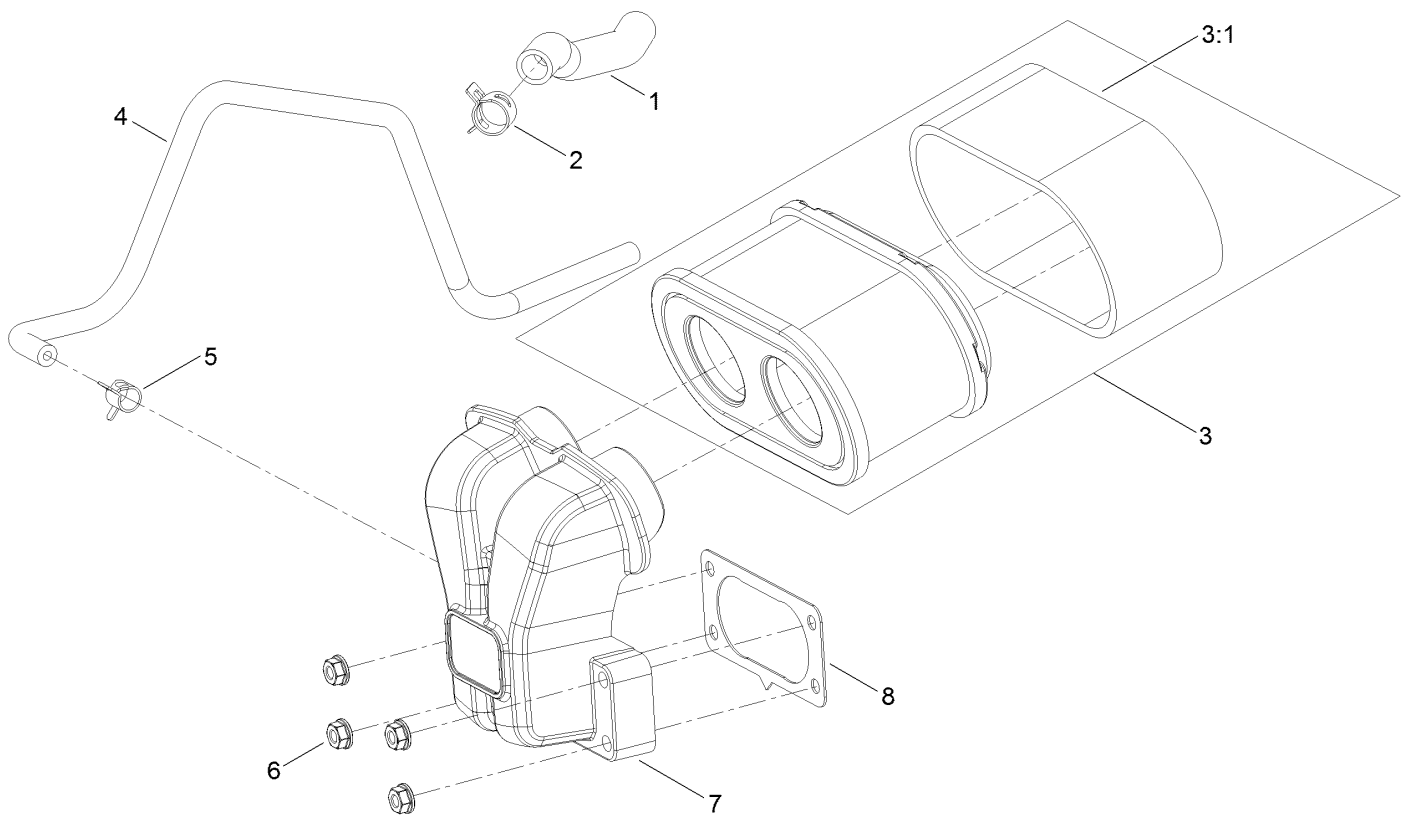


Carburetor Assembly (continued)

<i>Ref.</i>	<i>Part Number</i>	<i>Qty.</i>	<i>Description</i>	<i>Ref.</i>	<i>Part Number</i>	<i>Qty.</i>	<i>Description</i>
1	127-9251	1	Gasket-Carburetor	90	127-9290	1	Carburetor Repair Kit
3	127-9246	2	Gasket-Carburetor	91	127-9292	1	Solenoid Kit
14	127-9319	1	Spring	92	127-9340	1	Float Kit
20	127-9325	1	Cover-Shaft, Choke	93	127-9341	1	Bowl Kit
23	127-9328	1	Spring	94	133-9960	1	Throttle Shaft Kit
25	133-9957	1	Spring	95	133-9959	1	Nozzle And Jet Kit
28	127-9333	1	Clamp-Lock	96	133-9958	1	Air Jet Kit
29	127-9334	1	Screw-PPH	97	127-9345	1	Choke Shaft Kit
30	127-9335	1	Spring				

Air Intake and Filtration Assembly

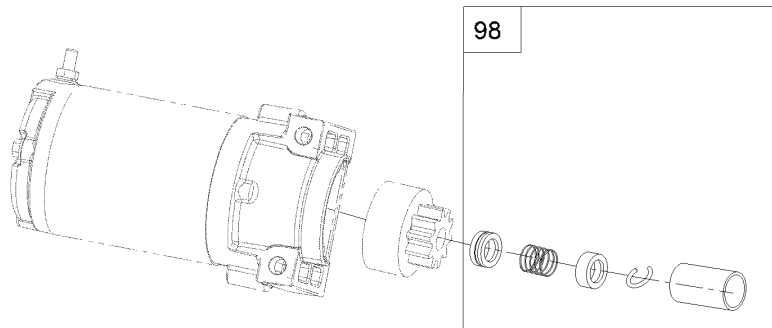
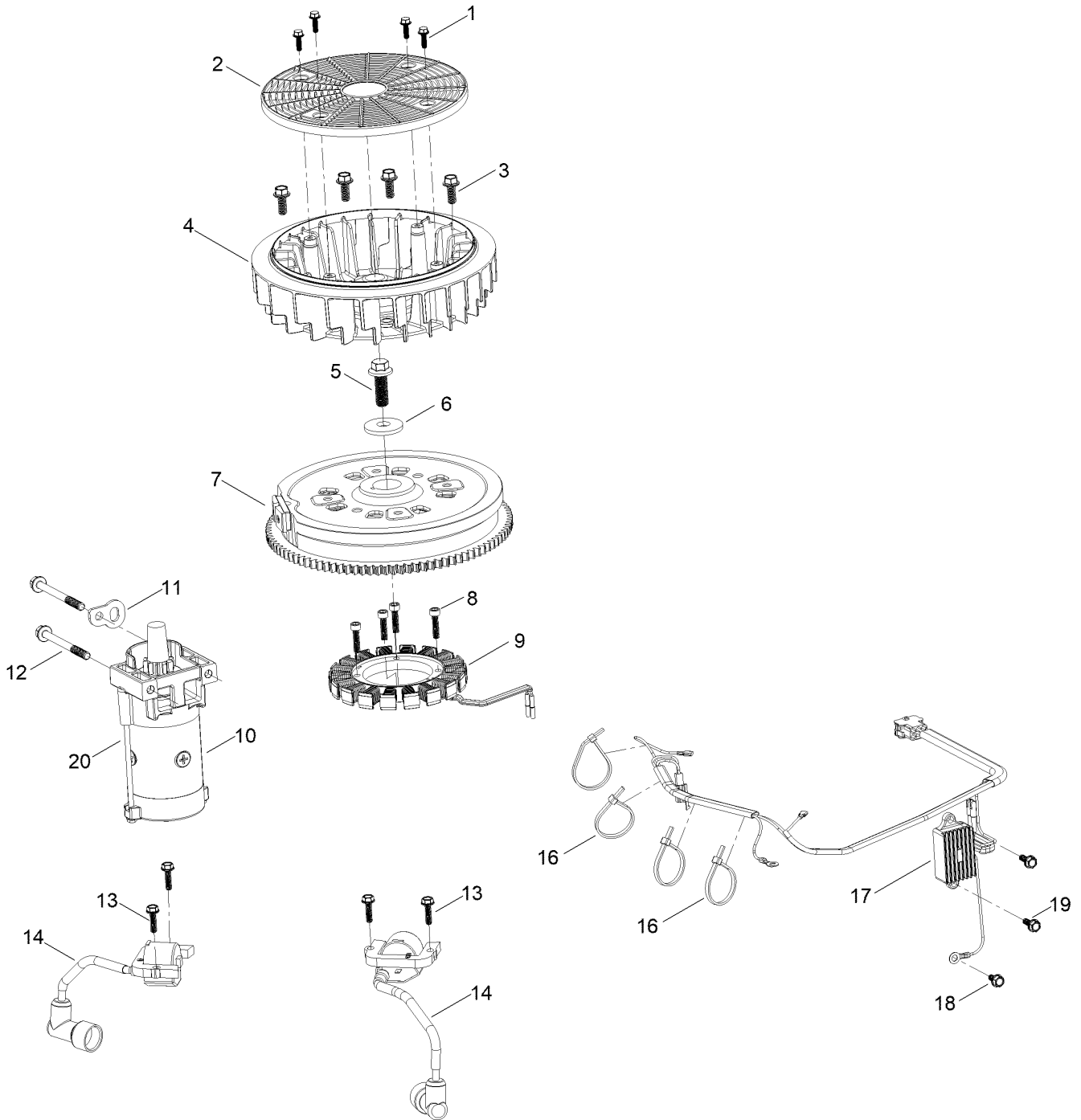
IF EQUIPPED WITH CANISTER TYPE AIR FILTER
REFER TO KIT MODEL 135-6195 TO LOOK UP PARTS



Air Intake and Filtration Assembly (continued)

<i>Ref.</i>	<i>Part Number</i>	<i>Qty.</i>	<i>Description</i>	<i>Ref.</i>	<i>Part Number</i>	<i>Qty.</i>	<i>Description</i>
1	127-9235	1	Tube-Breather	5	127-9187	1	Clamp-Hose
2	127-9234	2	Clamp-Hose	6	120-4236	4	Nut-Flange
3	136-7806	1	Air Filter Kit	7	127-9047	1	Manifold-Filter, Air
3:1	136-7804	1	Prefilter	8	127-9251	1	Gasket-Carburetor
4	127-9253	1	Hose-Fuel				

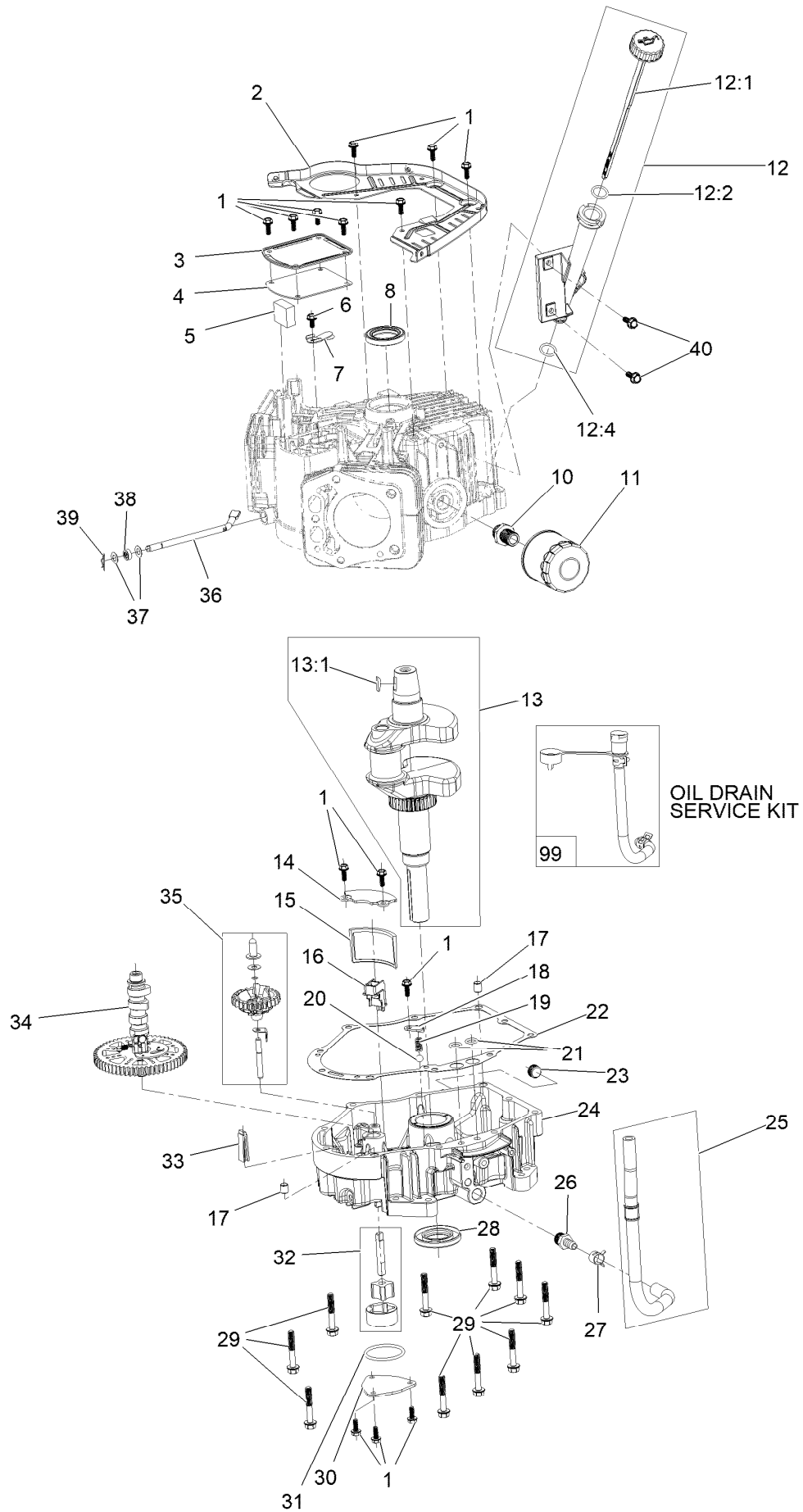
Ignition and Cooling Fan Assembly



Ignition and Cooling Fan Assembly (continued)

<i>Ref.</i>	<i>Part Number</i>	<i>Qty.</i>	<i>Description</i>	<i>Ref.</i>	<i>Part Number</i>	<i>Qty.</i>	<i>Description</i>
1	127-9197	4	Screw-HWH	12	120-4231	2	Screw-HHF
2	127-9198	1	Screen-Rotating	13	121-0007	4	Bolt-Flange
3	127-9199	4	Screw-HWH	14	139-0720	2	Ignition Coil ASM
4	127-9200	1	Fan-Cooling	16	127-9220	4	Tie-Zip
5	127-9201	1	Screw-HWH	17	136-7879	1	Regulator-Voltage, W/Harness
6	127-9202	1	Washer-Spring	18	120-4216	1	Screw-HHF
7	127-9306	1	Flywheel	19	120-4232	2	Screw-HHF
8	127-9210	4	Screw-HSH	20	133-1562	1	Pinion-Starter
9	136-7876	1	Alternator	98	133-1566	1	Starter Repair Kit
10	136-7880	1	Motor-Starter				
11	127-9208	1	Bracket-Lift				

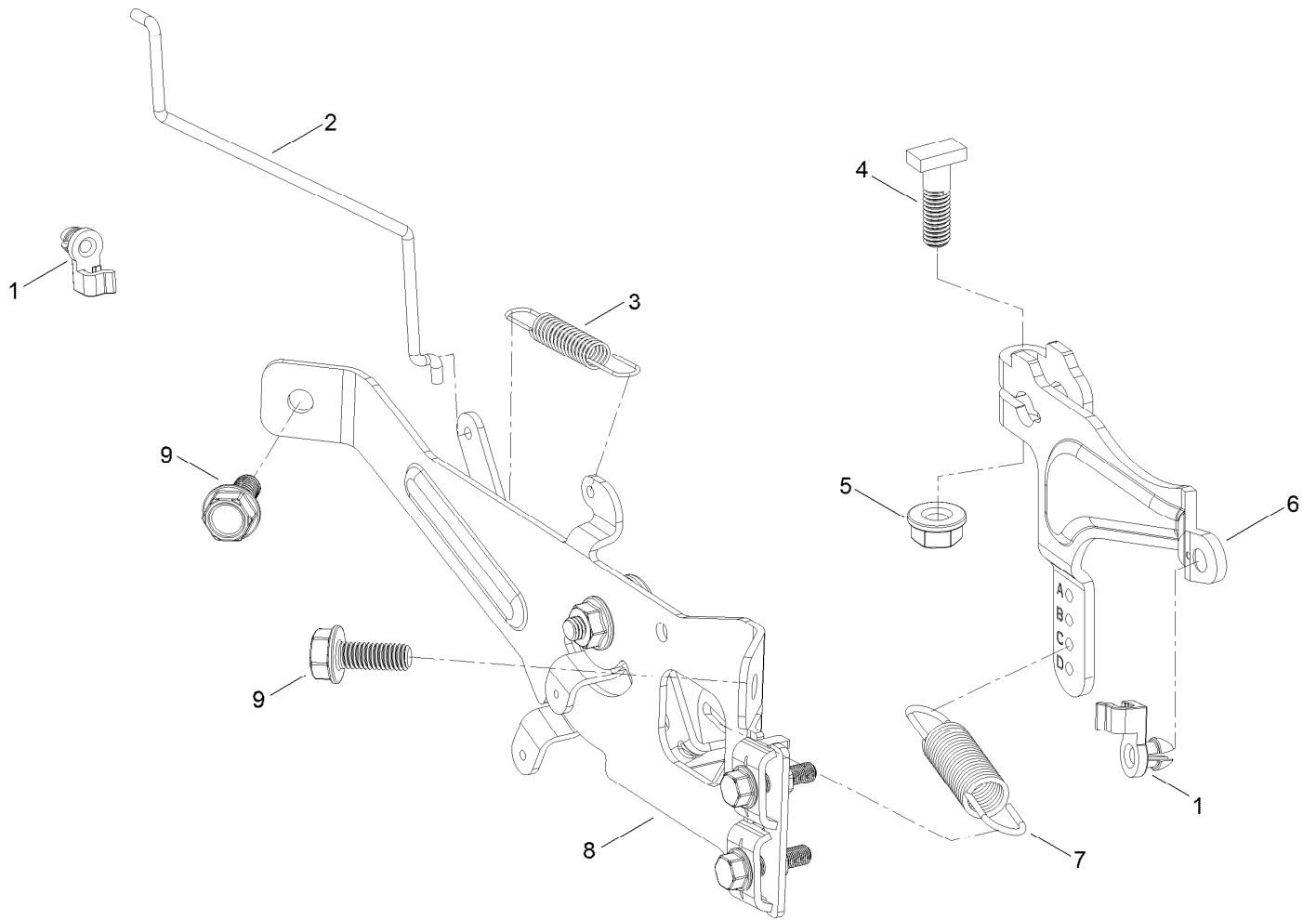
Crankcase and Crankshaft Assembly



Crankcase and Crankshaft Assembly (continued)

<i>Ref.</i>	<i>Part Number</i>	<i>Qty.</i>	<i>Description</i>	<i>Ref.</i>	<i>Part Number</i>	<i>Qty.</i>	<i>Description</i>
1	120-4232	14	Screw-HHF	20	127-9266	1	Valve-Ball
2	127-9212	1	Baffle	21	120-4262	2	O-Ring
3	127-9213	1	Cover-Breather	22	127-9267	1	Gasket-Cover, Crankcase
4	127-9214	1	Gasket-Breather	23	133-9805	1	Plug-Drain
5	127-9215	1	Filter-Breather	24	133-9806	1	Cover-Crankcase
6	120-4216	1	Screw-HHF	25	127-9293	1	Oil Drain Hose ASM
7	127-9217	1	Valve-Breather	26	127-9275	1	Fitting-Hose
8	120-4267	1	Seal-Oil	27	127-9276	1	Clamp-Hose
10	136-7884	1	Adaptor-Filter, Oil	28	127-9271	1	Seal
11	136-7848	1	Filter-Oil	29	121-0473	10	Screw-HHF
12	127-9218	1	Oil Tube ASM	30	127-9274	1	Cover-Oil Pump
12:1	127-9283	1	Dipstick	31	127-9273	1	O-Ring
12:2	127-9284	1	O-Ring	32	127-9272	1	Oil Pump ASM
12:4	127-9286	1	O-Ring	33	120-4275	1	Deflector-Oil, Rubber
13	127-9255	1	Crankshaft	34	133-1568	1	Camshaft
13:1	120-4320	1	Key-Woodruff	35	136-7882	1	Governor ASM
14	127-9261	1	Cover-Screen, Oil	36	127-9238	1	Shaft-Governor
15	127-9262	1	Screen-Oil	37	120-4258	2	Washer-Plain
16	127-9263	1	Retainer-Screen	38	120-4257	1	Seal-Oil
17	120-4274	2	Pin-Dowel	39	120-4256	1	Pin-Hair
18	127-9264	1	Plate-Retainer	40	120-4232	2	Screw-HHF
19	127-9265	1	Spring	99	144-0976	1	Oil Drain Service Kit

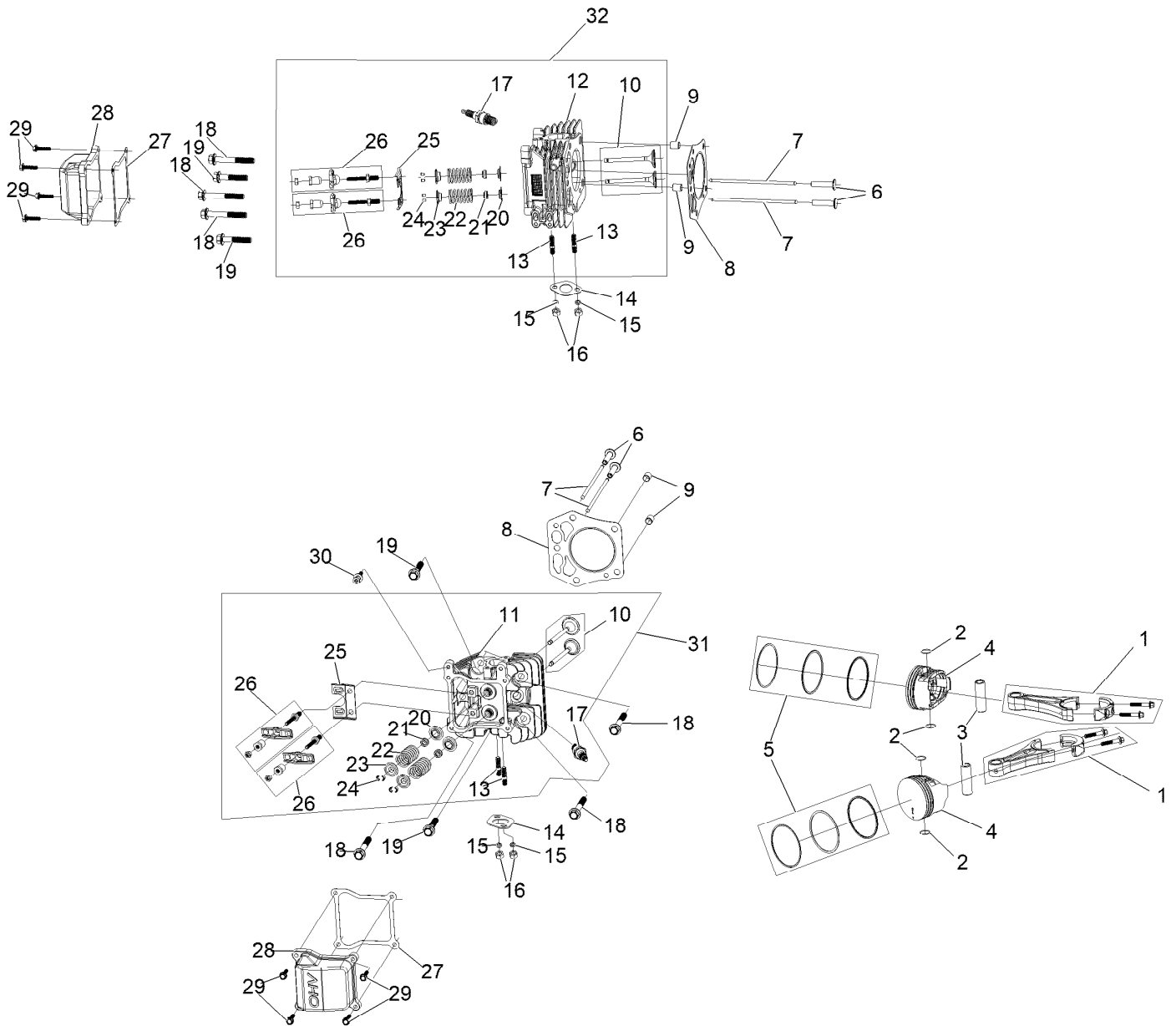
Governor Control Assembly



Governor Control Assembly (continued)

<i>Ref.</i>	<i>Part Number</i>	<i>Qty.</i>	<i>Description</i>	<i>Ref.</i>	<i>Part Number</i>	<i>Qty.</i>	<i>Description</i>
1	127-9250	2	Clip-Linkage	6	133-9961	1	Arm-Governor
2	127-9242	1	Linkage-Choke	7	133-9962	1	Spring-Governor
3	127-9241	1	Spring-Governor	8	133-1570	1	Control Plate ASM
4	120-4238	1	Bolt-Arm, Governor	9	120-4232	2	Screw-HHF
5	120-4236	1	Nut-Flange				

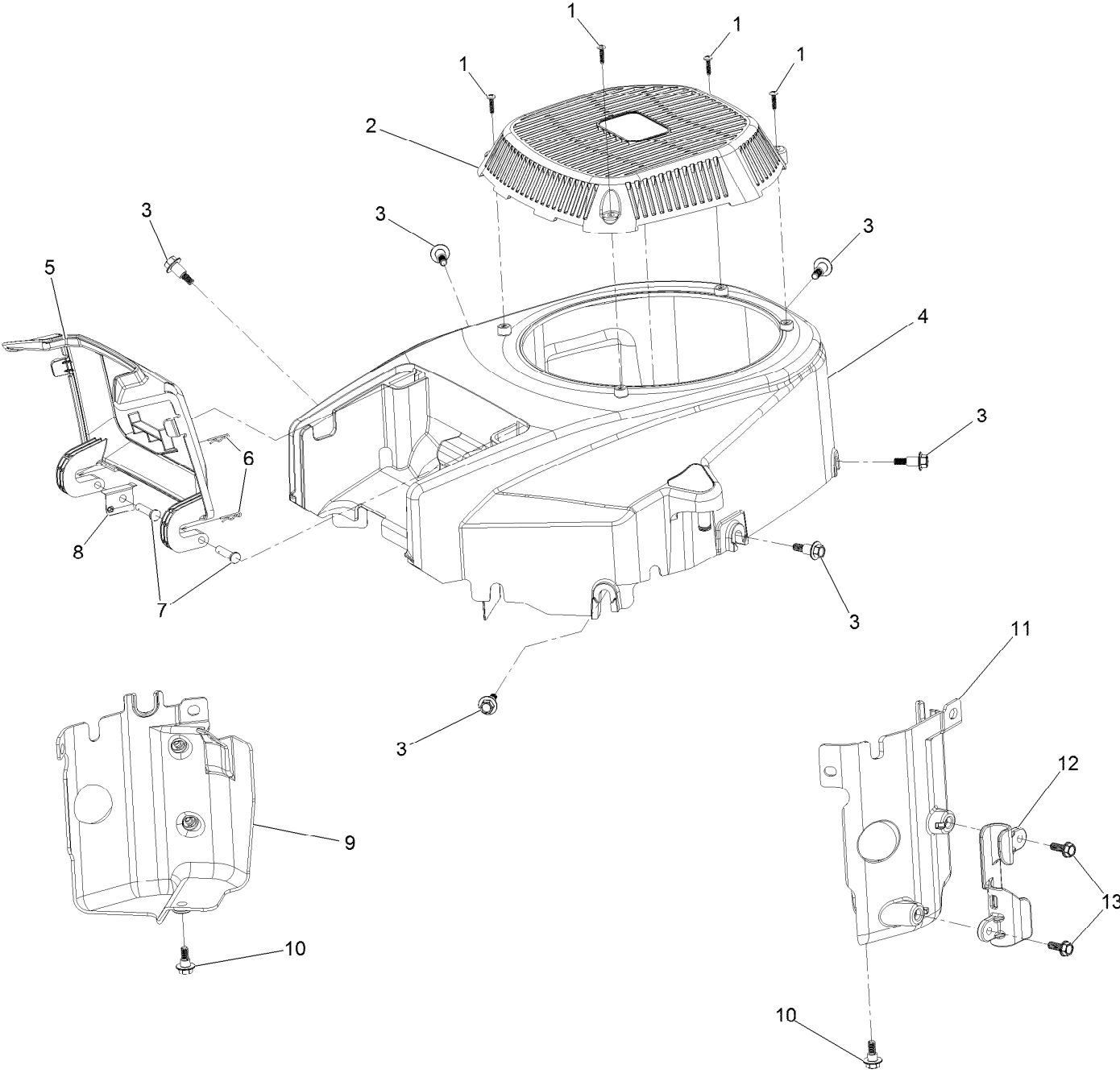
Piston and Cylinder Head Assembly



Piston and Cylinder Head Assembly (continued)

<i>Ref.</i>	<i>Part Number</i>	<i>Qty.</i>	<i>Description</i>	<i>Ref.</i>	<i>Part Number</i>	<i>Qty.</i>	<i>Description</i>
1	127-9256	2	Connecting Rod ASM	17	81-3250	2	Spark Plug
2	127-9258	4	Clip-Pin, Piston	18	127-9231	6	Screw-HWH
3	127-9257	2	Pin-Piston	19	127-9232	4	Screw-HWH
4	127-9259	2	Piston	20	120-4303	4	Seat-Spring, Valve
5	127-9260	2	Piston Ring Set	21	120-4304	4	Seal-Stem, Valve
6	127-9224	4	Lifter-Valve	22	120-4305	4	Spring-Valve
7	127-9225	4	Rod-Push	23	120-4306	4	Retainer-Spring, Valve
8	127-9226	2	Gasket-Head, Cylinder	24	120-4307	8	Keeper-Valve
9	127-9227	4	Pin-Dowel	25	127-9233	2	Plate-Guide, Push Rod
10	127-9228	2	Valve Set	26	136-7881	4	Rocker Arm ASM
11	133-9802	1	Head-Cylinder, Right	27	127-9295	2	Gasket-Valve Cover
12	133-9804	1	Head-Cylinder, Left	28	127-9050	2	Cover-Valve
13	121-0464	4	Stud-Exhaust	29	120-4225	8	Screw-HHF
14	120-4317	2	Gasket-Exhaust	30	120-4214	1	Screw-Shoulder, HH
15	127-9279	4	Washer-Lock, Split	31	136-7891	1	Complete Right Head ASM
16	121-0199	4	Nut-HH	32	136-7892	1	Complete Left Head ASM

Blower Housing Assembly

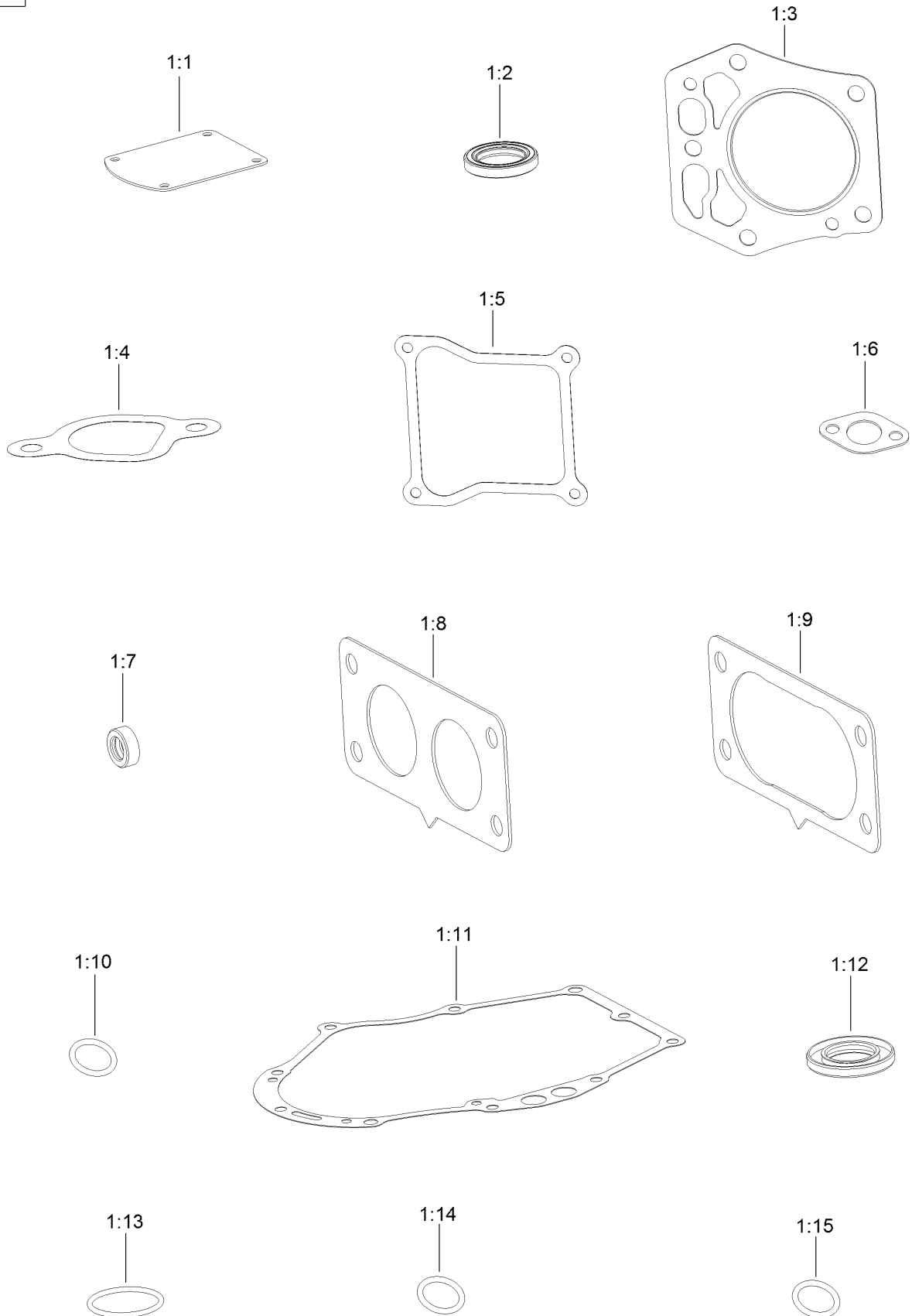


Blower Housing Assembly (continued)

<i>Ref.</i>	<i>Part Number</i>	<i>Qty.</i>	<i>Description</i>	<i>Ref.</i>	<i>Part Number</i>	<i>Qty.</i>	<i>Description</i>
1	133-1571	4	Screw-PPH, Plastic	8	127-9281	1	Plate-Spring
2	127-9045	1	Cover-Fan	9	136-7877	1	Baffle-Air, Left
3	127-9196	6	Screw-Shoulder, HWH	10	120-4210	2	Screw-Shoulder, HHF
4	133-1572	1	Shroud-Engine	11	136-7878	1	Baffle-Air, Right
5	127-9046	1	Door-Filter, Air	12	127-9287	1	Cleat-Hose
6	127-9280	2	Pin-Hair	13	120-4232	2	Screw-HHF
7	127-9282	2	Pin				

Gasket and Seal Kit

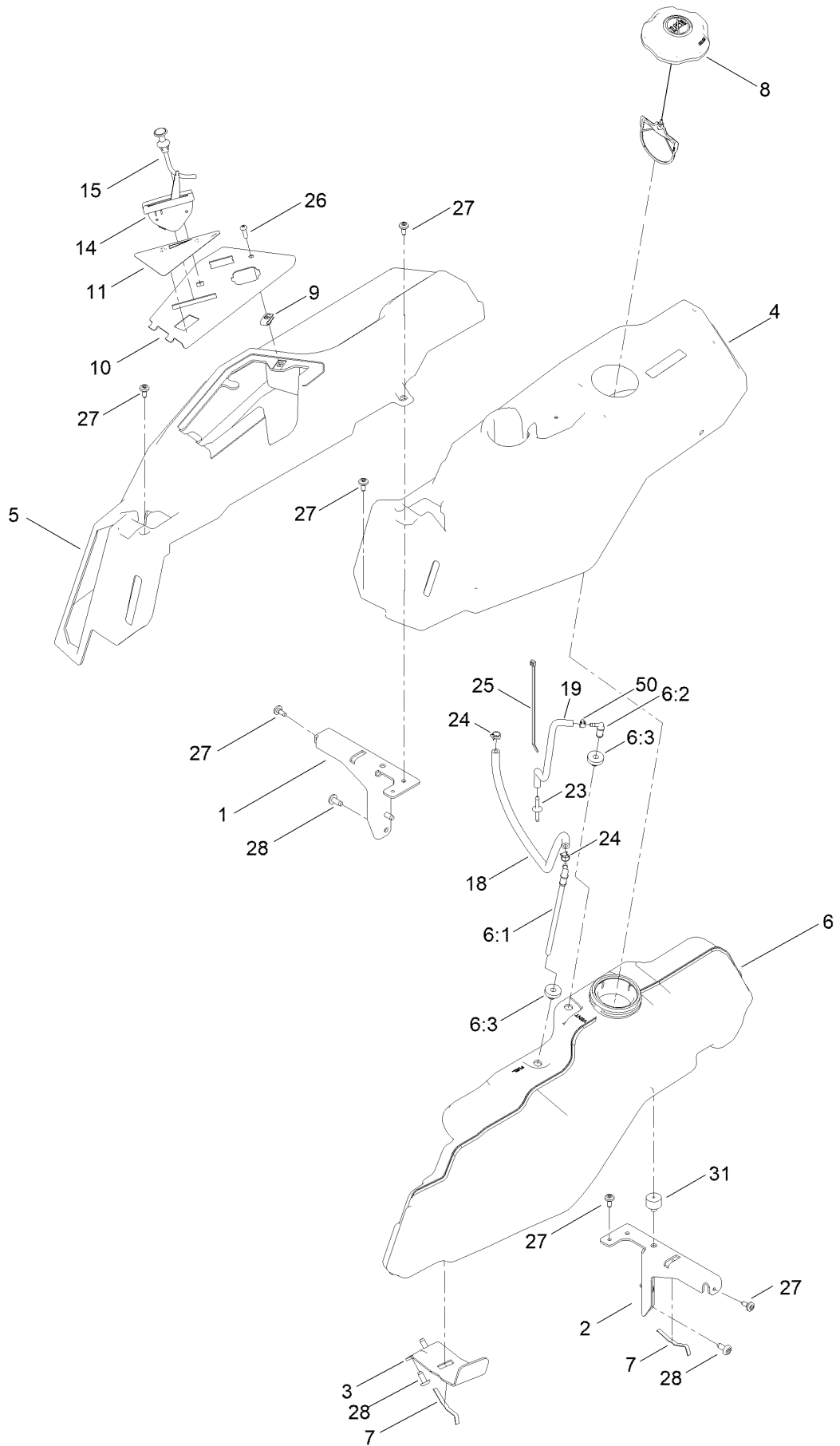
1



Gasket and Seal Kit (continued)

<i>Ref.</i>	<i>Part Number</i>	<i>Qty.</i>	<i>Description</i>	<i>Ref.</i>	<i>Part Number</i>	<i>Qty.</i>	<i>Description</i>
1	127-9296	1	Gasket And Seal Kit	1:8	127-9246	2	Gasket-Carburetor
1:1	127-9214	1	Gasket-Breather	1:9	127-9251	1	Gasket-Carburetor
1:2	120-4267	1	Seal-Oil	1:10	120-4262	2	O-Ring
1:3	127-9226	2	Gasket-Head, Cylinder	1:11	127-9267	1	Gasket-Cover, Crankcase
1:4	127-9230	2	Gasket-Intake	1:12	127-9271	1	Seal
1:5	127-9295	2	Gasket-Valve Cover	1:13	127-9273	1	O-Ring
1:6	120-4317	2	Gasket-Exhaust	1:14	127-9284	1	O-Ring
1:7	120-4257	1	Seal-Oil	1:15	127-9286	1	O-Ring

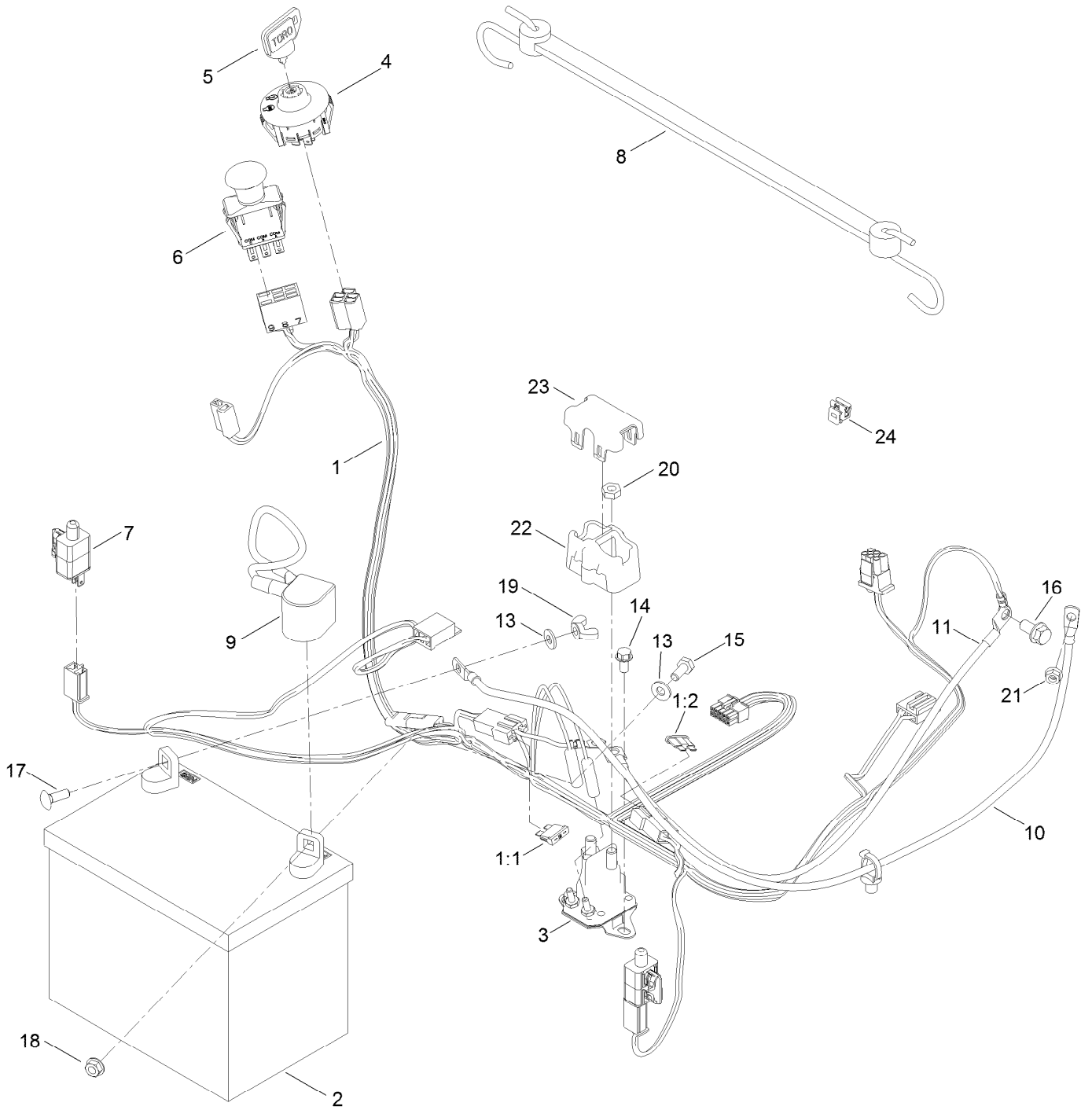
Fuel Pod Assembly



Fuel Pod Assembly (continued)

<i>Ref.</i>	<i>Part Number</i>	<i>Qty.</i>	<i>Description</i>	<i>Ref.</i>	<i>Part Number</i>	<i>Qty.</i>	<i>Description</i>
1	138-6070-03	1	Support-Pod, RH	11	139-2391	1	Decal-Panel, Control
2	138-6071-03	1	Support-Pod, LH	14	139-2403	1	Cable-Throttle
3	139-3271-03	1	Support-Tank, Fuel	15	139-2402	1	Cable-Choke
4	138-6074	1	Pod-LH	18	108-4582	1	Hose-Fuel
5	138-6075	1	Pod-RH	19	136-6345	1	Hose-Fuel
6	144-5304	1	Tank-Fuel ASM	23	144-1983	1	Adapter Orifice
6:1	139-1091	1	Connector-Elbow, 90 DEG	24	2412-98	2	Clamp-Hose
6:2	144-5302	1	Fitting-Elbow 90	25	614249	1	Tie-Cable
6:3	46-6560	2	Bushing	26	3258-166	1	Screw-PRH
7	609830	2	Spring	27	120-7950	6	Screw-Torx
8	137-4119	1	Cap-Fuel, Ratcheting	28	138-9753	6	Screw
9	107069	1	Clip	31	120-7893	1	Bumper-Grommet
10	139-2380-03	1	Panel - Control	50	2412-80	1	Clamp-Hose

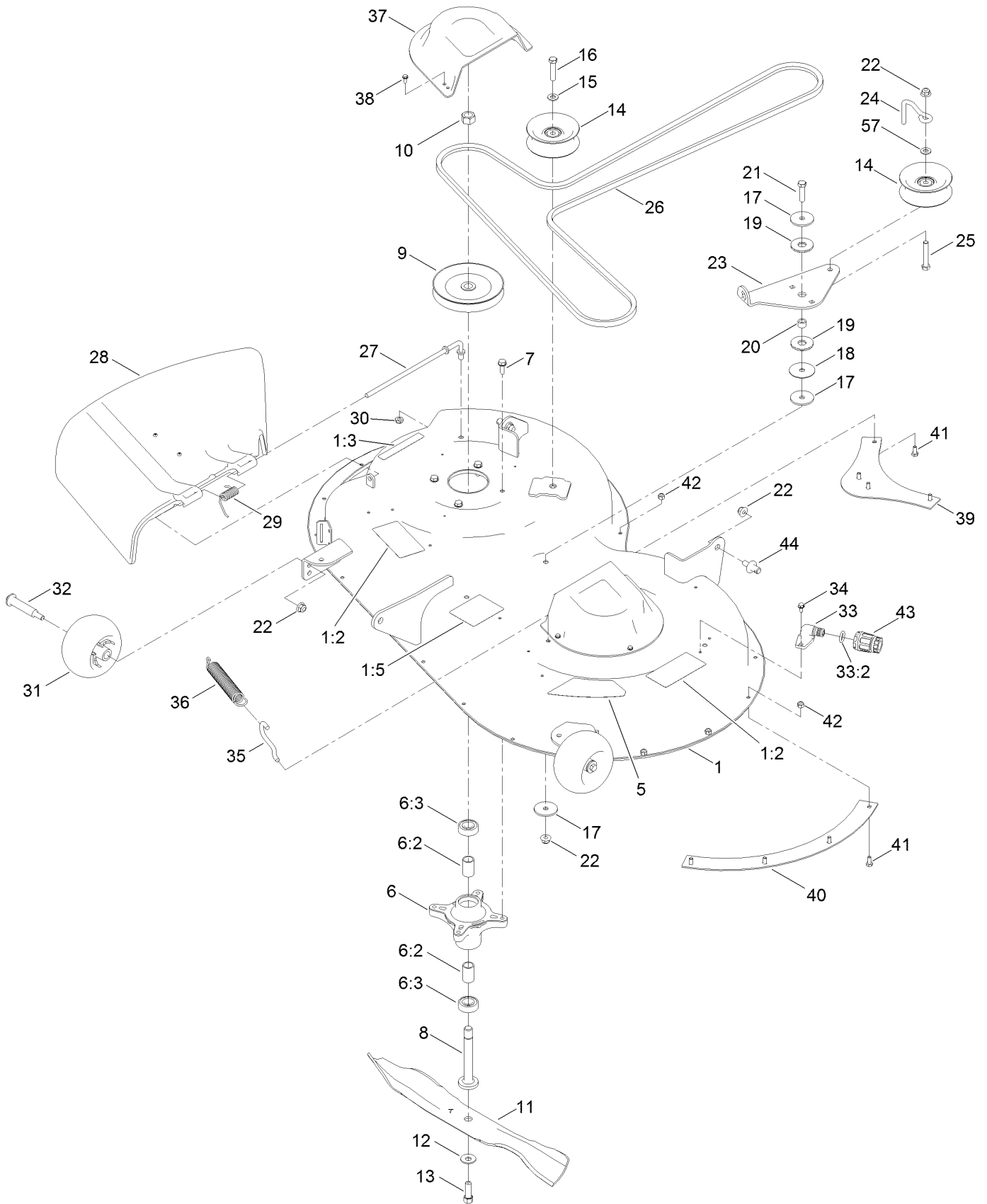
Electrical Assembly



Electrical Assembly (continued)

<i>Ref.</i>	<i>Part Number</i>	<i>Qty.</i>	<i>Description</i>	<i>Ref.</i>	<i>Part Number</i>	<i>Qty.</i>	<i>Description</i>
1	138-2521	1	Harness-Wire	11	110-6793	1	Cable-Battery, Black
1:1	109355	1	Fuse-Blade, 15 Amp	13	3256-22	2	Washer-Flat
1:2	109102	1	Fuse-Blade, 25 Amp	14	32144-4	2	Screw-HWH
2	105-1692	1	Battery, 230CCA W/O Electrolyte	15	321-3	1	Screw-HH
3	117-1197	1	Solenoid	16	3234-14	1	Screw-HHF
4	137-4100	1	Switch-Ignition	17	3229-1	1	Screw-CARR
5	63-8360	1	Key-Ignition	18	32128-33	1	Nut-HF
6	103-5221	1	Switch-PTO	19	32103-22	1	Nut-Wing
7	110-6765	2	Switch	20	3220-2	2	Nut-Jam
8	139-2381	1	Strap-Rubber	21	33003-00	1	Nut-HF
9	140-2713	1	Cable-Battery, Pos	22	140-2080	1	Cover-Solenoid
10	139-2431	1	Cable-Battery, Red (8 Gauge)	23	140-2081	1	Cap-Solenoid
				24	32180-418	1	Clip-Harness

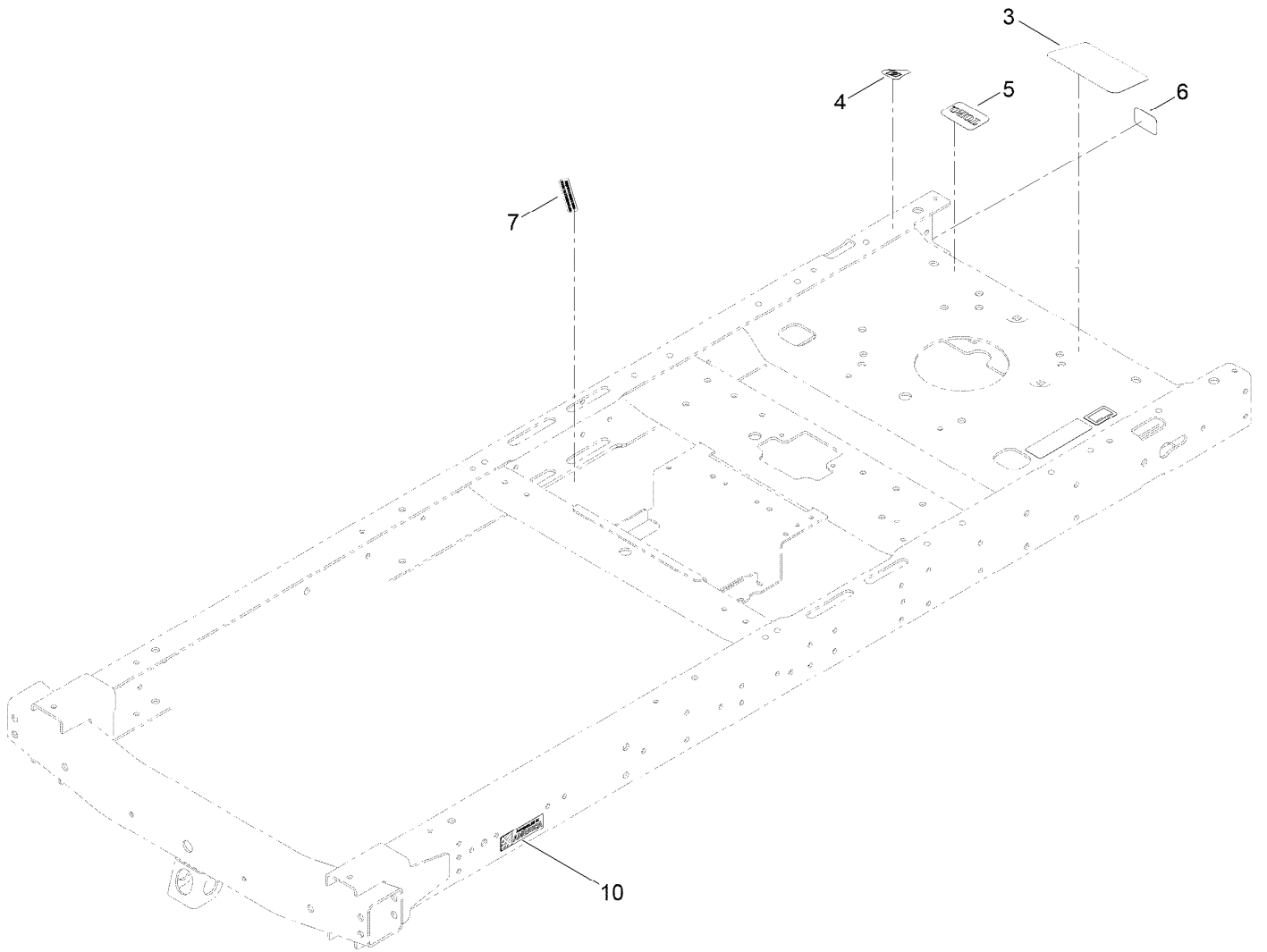
42 Inch Deck Assembly



42 Inch Deck Assembly (continued)

<i>Ref.</i>	<i>Part Number</i>	<i>Qty.</i>	<i>Description</i>	<i>Ref.</i>	<i>Part Number</i>	<i>Qty.</i>	<i>Description</i>
1	138-9761	1	42 Inch Deck And Decal ASM	23	138-7262	1	Arm-Idler
1:2	132-0872	2	Decal-Danger, Deck	24	138-7270	1	Guide-Belt, Idler
1:3	93-7009	1	Decal-Danger	25	323-11	1	Screw-HH
1:5	105-7015	1	Decal-Routing, Belt	26	119-8819	1	V-Belt
5	117-1222	1	Decal	27	137-2019	1	Rod-Pivot
6	139-3214	2	Spindle ASM	28	137-7046	1	Deflector
6:2	120-7935	2	Spacer	29	138-7268	1	Spring-Torsion
6:3	138-9770	2	Bearing-Ball	30	3296-59	1	Nut-Lock, NI
7	32144-41	8	Screw-Taptite	31	1-603299	2	Roller-Scalp, Anti
8	117-7268	2	Shaft-Spindle	32	112-3977	2	Bolt-Shoulder
9	139-2433	2	Pulley	33	133-9289	1	Fitting-Washout
10	3219-6	2	Nut-Hex	33:2	133-9290	1	O-Ring
11	137-1999-03	2	Blade	34	32144-4	2	Screw-HWH
12	3290-465	2	Washer-Belleville	35	138-7267	1	Hook-Spring, Return
13	26-0671	2	Screw-HH	36	138-7265	1	Spring Extension
14	132-9420	2	Pulley-Idler, Flat	37	108-7889	2	Cover-Belt
15	3256-24	1	Washer-Flat	38	32144-1	6	Screw-Taptite
16	323-9	1	Screw-HH	39	137-2036-03	1	Baffle-Blowout, Rear
17	63-7400	3	Washer-Rebound	40	137-2037-03	1	Baffle-Blowout, Side
18	120-2229	1	Washer	41	321-3	8	Screw-HH
19	114-0463	2	Washer-Friction, Composite	42	3296-42	8	Nut-Lock, NI
20	115-4986	1	Spacer	43	95-3270	1	Connector-Hose
21	323-8	1	Screw-HH	44	139-5871	2	Pin-Deck
22	104-8301	6	Nut-HF, NI	57	138-7207	1	Spacer-Hub, Blower

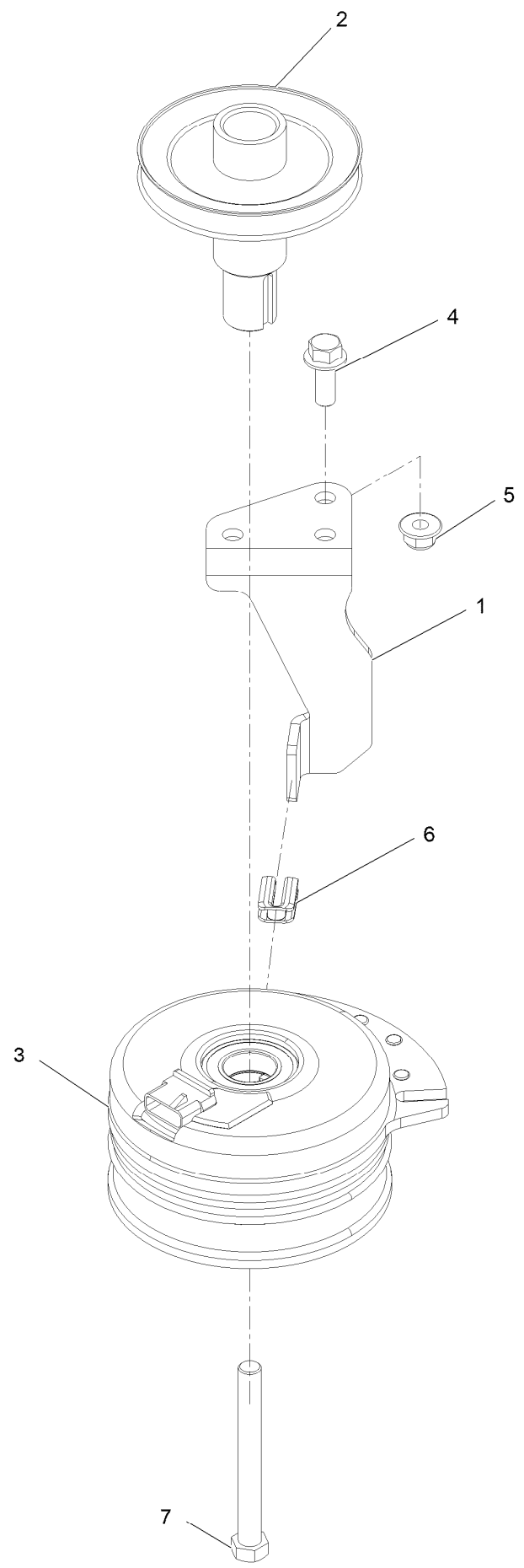
Frame Decal Assembly



Frame Decal Assembly (continued)

<i>Ref.</i>	<i>Part Number</i>	<i>Qty.</i>	<i>Description</i>	<i>Ref.</i>	<i>Part Number</i>	<i>Qty.</i>	<i>Description</i>
3	140-5130	1	Decal-Engine	6	127-9076	1	Placard-Intake
4	131-1097	1	Decal-Drain, Oil	7	132-0904	1	Decal-Shutdown
5	131-4157	1	Decal	10	140-2099	1	Decal

Clutch Assembly



Clutch Assembly (continued)

<i>Ref.</i>	<i>Part Number</i>	<i>Qty.</i>	<i>Description</i>	<i>Ref.</i>	<i>Part Number</i>	<i>Qty.</i>	<i>Description</i>
1	138-7275	1	Stop-Clutch (Narrow)	5	104-8301	1	Nut-HF, NI
2	138-9792	1	Pulley-Engine	6	120-2217	1	Isolator-Clutch
3	117-7468	1	Clutch-Electric	7	3212-16	1	Screw-HH
4	3234-42	1	Screw-HHF				

Attachments and Accessories

For 75742 TimeCutter 42in Riding Mower

Product Name	Model/Part
Hourmeter Kit	116-5461
Seat Cover W/O Arm Rest - TC 18in.....	117-0096
Jack Kit.....	127-6666
Fuel Stabilizer .05 oz	130-2393
4-Cycle Fuel, Snow And Lawn 32oz Can	131-3823
Toro Premium Fuel Treatment 12 Oz Bottle	131-6572
Heavy Duty Air Cleaner Kit	135-6195
Replacement Blade Kit	137-1999-03P
42in Recycler Kit.....	137-7042
Bagging Enhancement Kit	137-7048
Maintenance Kit Toro V-twin Engine	139-0646
Maintenance Kit Toro	139-0649
Front Weight Kit.....	140-2050
Assist Bar Kit	140-2052
LED Light Kit.....	140-2056
Deluxe Seat Kit.....	140-2057
Armrest Kit.....	140-2058
Deck Footlift Assist Kit	140-2059
Floormat Kit	140-2060
Jack Mount Kit	140-2711
Striping Kit, 42in and Riding Mowers	140-5198
10w30 4-Cycle Engine Oil (32oz Bottle).....	38280
Toro 4-Cycle SAE 30 Oil (32oz Bottle)	38903
Storage Cover	490-7516
Mower Deck Drive Belt, TimeCutter SS Riding Mower with 42-inch Mowing Deck.....	79004
Twin Bagger, Timecutter 42in Stamped	79410
ROPS Kit	79485
Slope Sensor Kit.....	79486

Notes:

Notes:

Notes:



Count on it.