



Count on it.

Parts Catalog

TimeCutter® 4200

Riding Mower

Model No. 75740—Serial No. 409431744 and Up



Ordering Replacement Parts

To order replacement parts, please supply the part number, the quantity, and the description of each part desired.

Understanding Reference Numbers

Each identified part in an illustration has a reference number. The reference number for a part also appears in the parts list, along with other information about the part.

This catalog uses two special reference number formats, one to indicate parts in a service assembly and another to indicate the quantity of a given part in an illustration.

Service Assembly Reference Numbers

Parts in service assemblies have reference numbers in the form a:b. The a represents the reference number of the entire service assembly and the b represents a sequential number unique to each part within the service assembly.

For example, a wheel assembly might be identified by reference number 6, the tire by 6:1, the valve by 6:2, and the wheel by 6:3. When you order the assembly identified by reference number 6, you receive all parts identified by reference numbers 6:1, 6:2, and 6:3. However, you may also order any part individually. Reference numbers of this type appear in illustration and in parts lists.

Reference Numbers Indicating Quantity

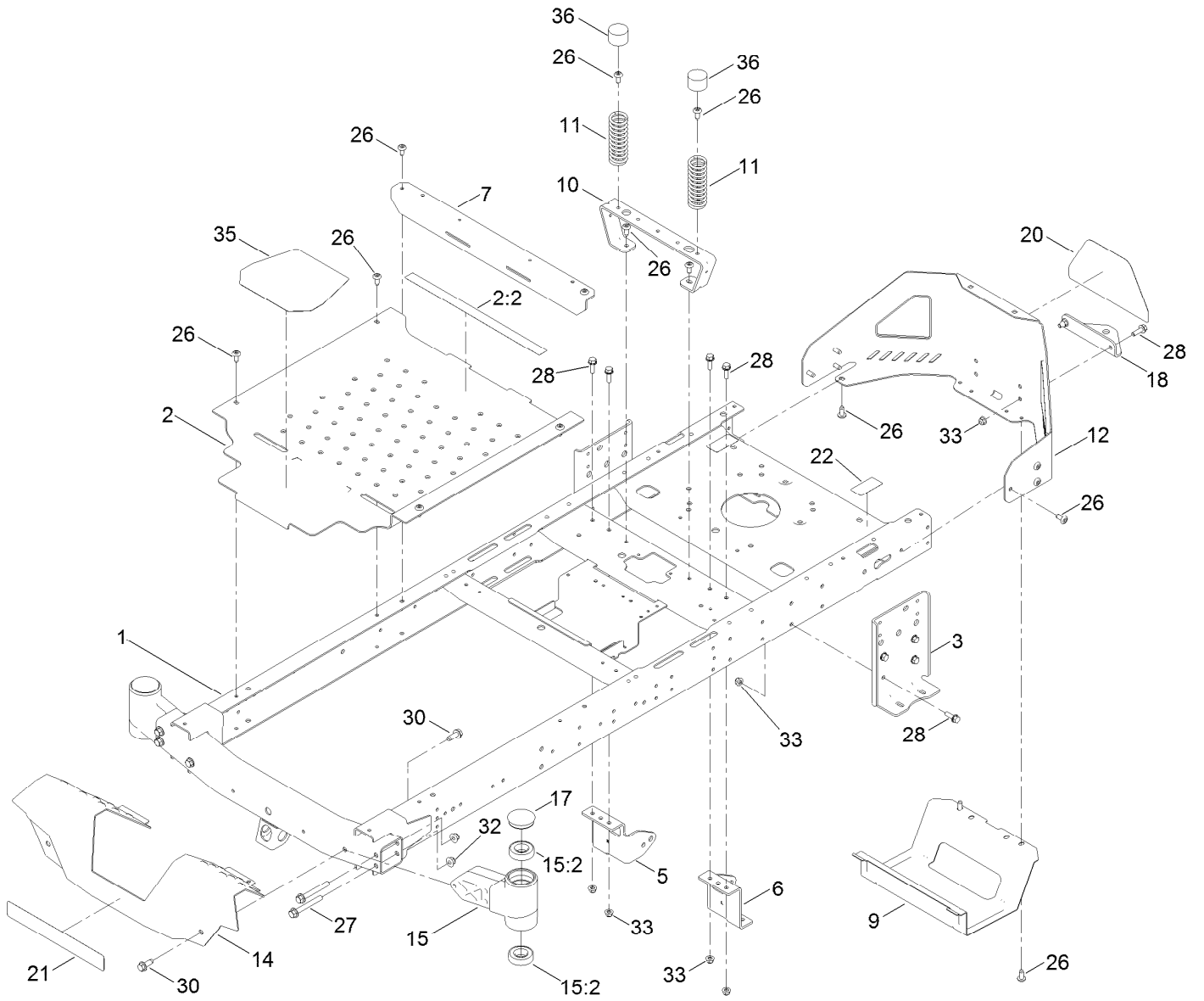
In an illustration, if a reference number indicates more than one part, the reference number has the form nX y. The n represents the quantity of the part, the X is the multiplication symbol, and the y represents the reference number.

For example, in an illustration, the reference number 2X 37 means that two of the parts identified by reference number 37 are indicated.

Contents

Frame Assembly	4
Deck Lift Assembly	6
Tire and Caster Assembly	8
Traction Drive Assembly	10
LH Hydro Transmission Assembly No. 139-7450	12
RH Hydro Transmission Assembly No. 139-7451	14
Brake Assembly	16
Rear Tire Assembly	18
Seat Pan Assembly	20
Seat Assembly No. 147-5157	22
Motion Control Assembly	24
Engine and Muffler Assembly	26
Fuel System Assembly	28
Air Intake and Filtration Assembly	30
Ignition and Electrical Assembly	32
Crankcase Assembly	34
Governor Control Assembly	36
Piston and Cylinder Head Assembly	38
Blower Housing Assembly	40
Gasket and Seal Kit	42
Body Styling and Fuel Pod Assembly	44
Electical Assembly	46
42 Inch Deck Assembly	48
Decal Assembly	50
Clutch Assembly	52
Attachments and Accessories	54

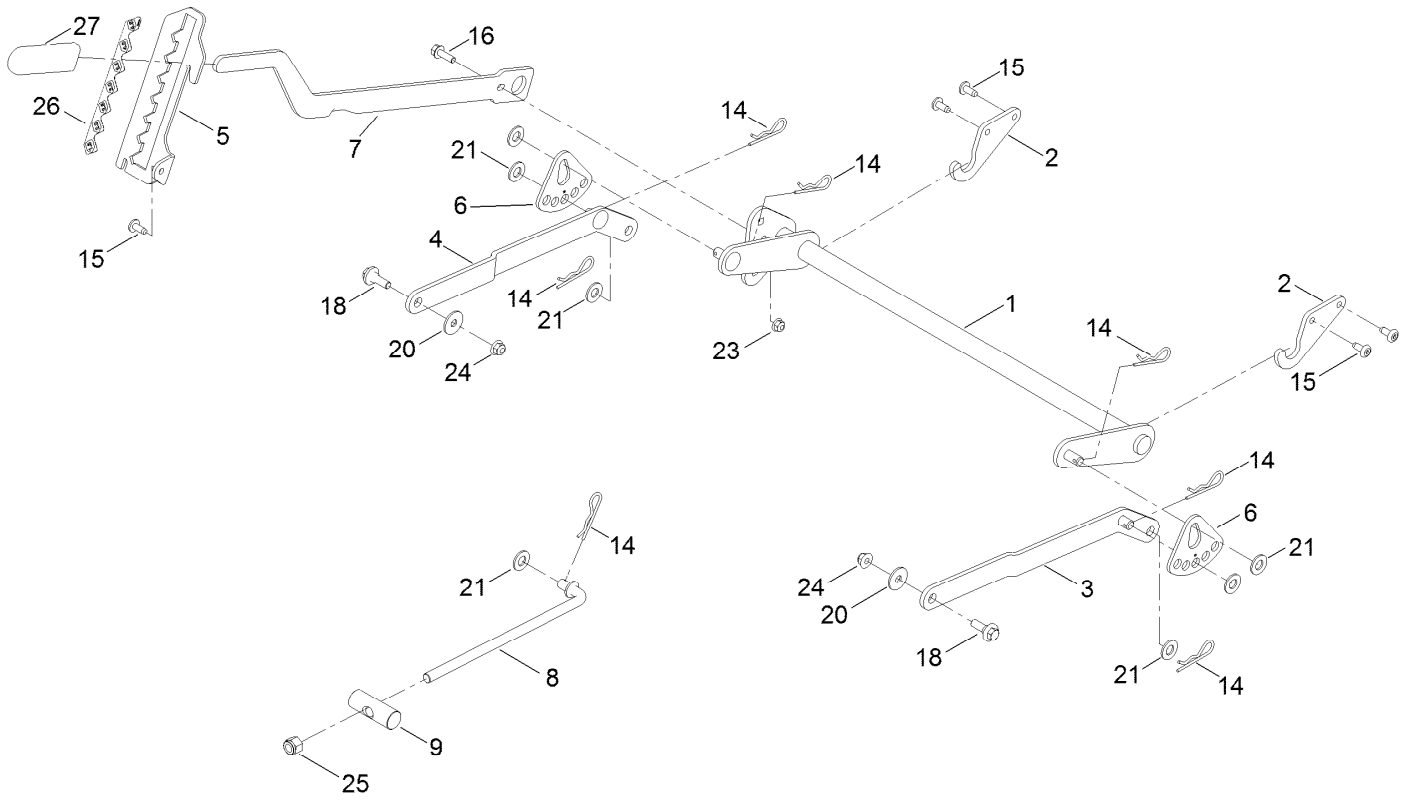
Frame Assembly



Frame Assembly (continued)

<i>Ref.</i>	<i>Part Number</i>	<i>Qty.</i>	<i>Description</i>	<i>Ref.</i>	<i>Part Number</i>	<i>Qty.</i>	<i>Description</i>
1	137-9820-01	1	Frame Assembly	17	138-7200	2	Cap-Grease
2	140-5045	1	Pan-Floor ASM	18	117-1232-03	1	Bracket-Hitch
2:2	135-3295	1	Decal-Warning	20	139-5890	1	Decal-Timecutter
3	138-7520-01	2	Plate-Mount, Hydro	21	139-2387	1	Decal-Timecutter
5	137-7020-01	1	Mount-Hydro, Front (Right)	22	121-2989	2	Decal-Bypass
6	139-3211-01	1	Mount-Hydro, Front (Left)	26	138-9753	20	Screw
7	138-9791-01	1	Brace-Cross	27	139-2429	4	Screw-HHF
9	138-0867-03	1	Guard-Muffler	28	3234-29	14	Screw-HHF
10	138-6036-03	1	Support-Seat	30	139-2428	4	Screw-HWH
11	138-2548	2	Spring-Compression	32	139-2430	4	Nut-HF, NI
12	138-9820-03	1	Guard-Engine	33	104-8300	14	Nut-HF, NI
14	138-9827-01	1	Footrest	35	139-3220	1	Tread-Step
15	140-2098	2	Axle Stub ASM	36	701178	2	Cap-Protector
15:2	109-3678	2	Bearing-Ball				

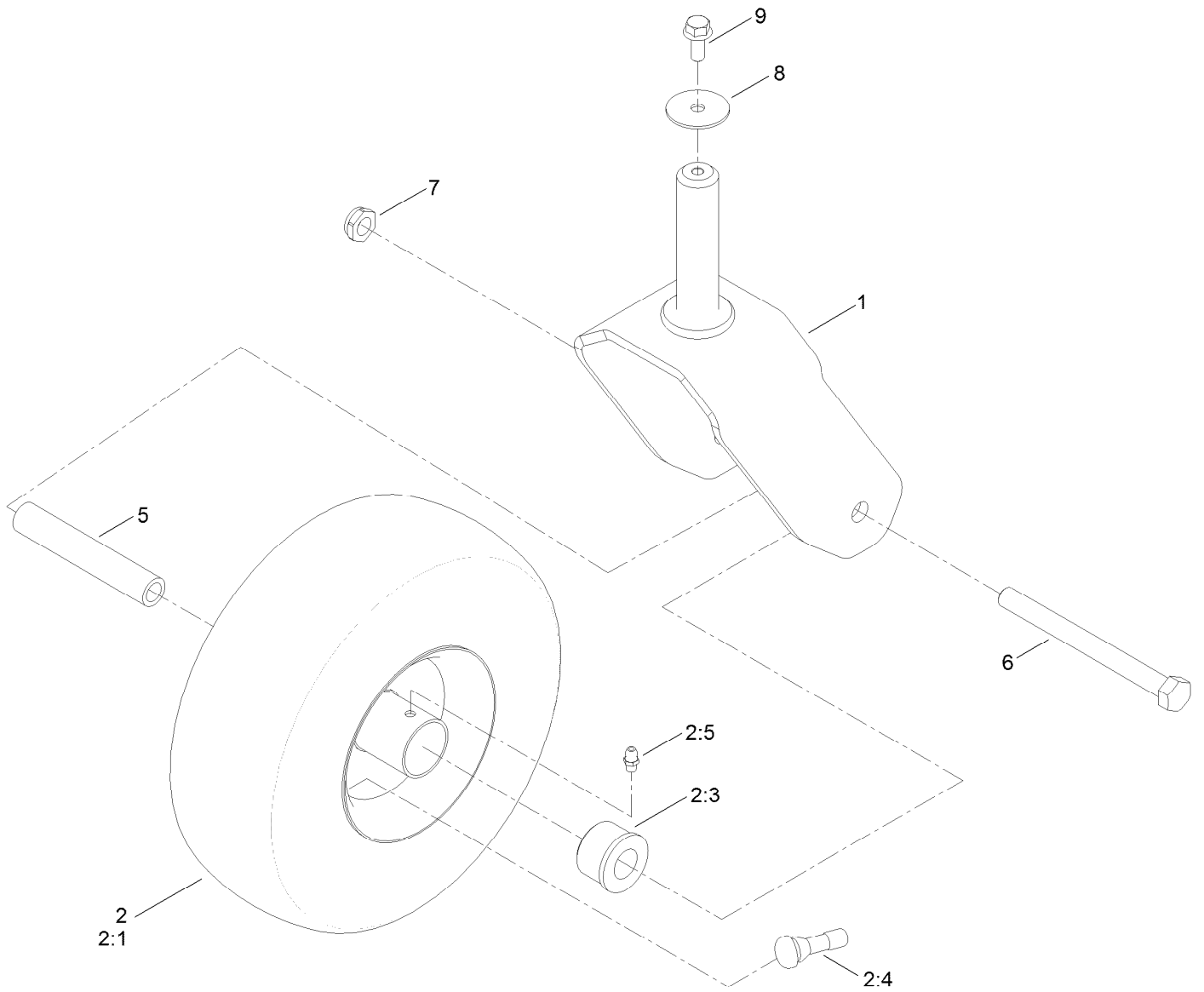
Deck Lift Assembly



Deck Lift Assembly (continued)

<i>Ref.</i>	<i>Part Number</i>	<i>Qty.</i>	<i>Description</i>	<i>Ref.</i>	<i>Part Number</i>	<i>Qty.</i>	<i>Description</i>
1	137-7093-03	1	Deck Lift ASM	15	138-9753	5	Screw
2	138-6021	2	Bracket-Pivot, Decklift	16	3234-29	1	Screw-HHF
3	137-9844	1	LH Arm ASM	18	137-9847	2	Screw-Shoulder
4	137-9846	1	RH Arm ASM	20	93-8806	2	Washer-Hardened
5	139-2350-01	1	Bracket-HOC	21	3256-26	7	Washer-Flat
6	138-2564	2	Plate-Adjustment, HOC	23	104-8300	1	Nut-HF, NI
7	137-7087-03	1	Lever-Lift	24	104-8301	2	Nut-HF, NI
8	138-6050	1	Rod-Mount, Deck	25	3296-19	1	Nut-Hex
9	119-8810	1	Pin-Pivot	26	139-2392	1	Decal-HOC
14	1-806005	7	Pin-Cotter	27	1-633268	1	Grip-Lever

Tire and Caster Assembly



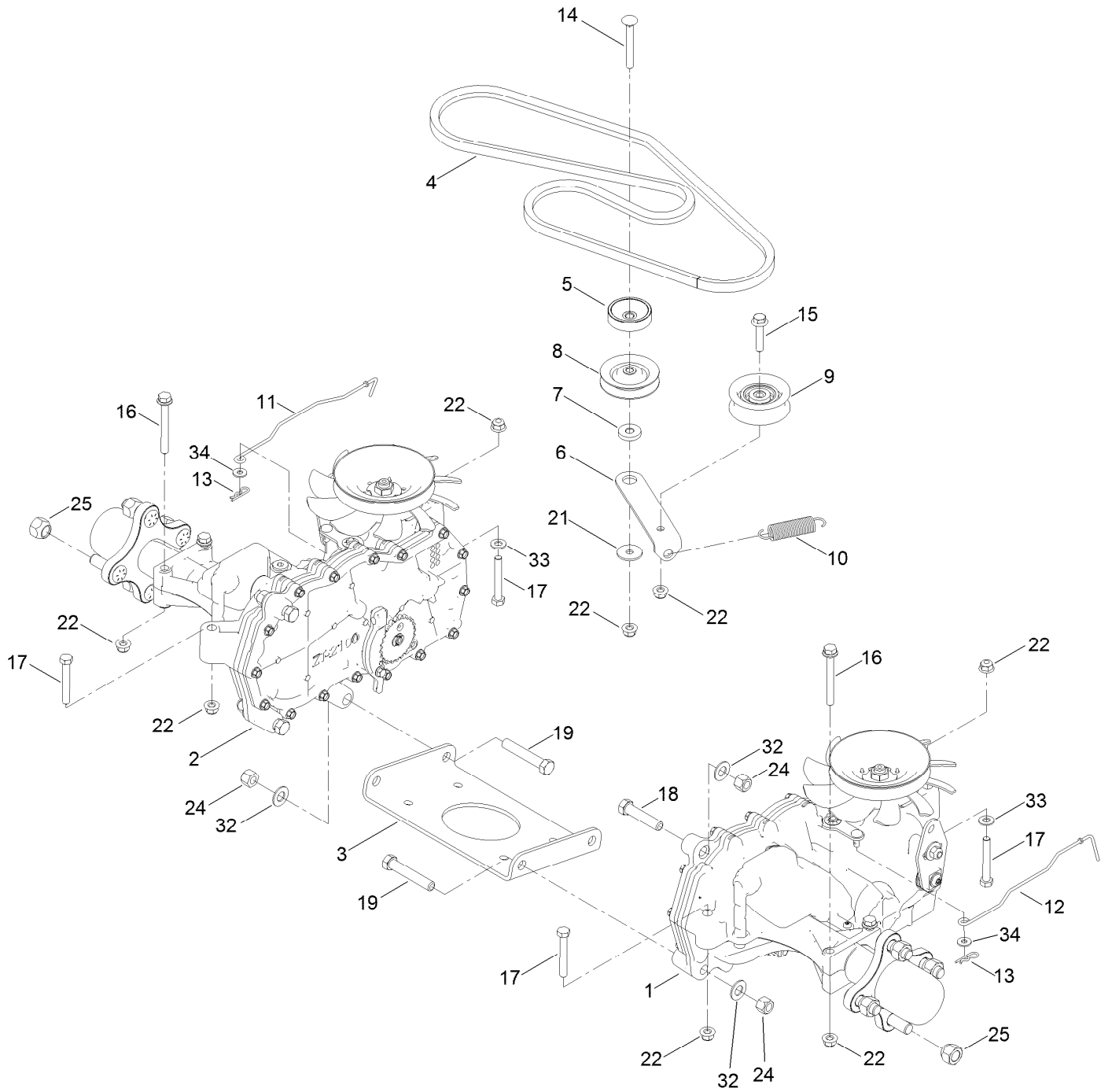
Tire and Caster Assembly (continued)

<i>Ref.</i>	<i>Part Number</i>	<i>Qty.</i>	<i>Description</i>	<i>Ref.</i>	<i>Part Number</i>	<i>Qty.</i>	<i>Description</i>
1	139-3274-01	2	Fork ASM	2:99	105-0844	1	Tube-Inner●■
2	139-5842	2	Tire ASM	5	138-7240	2	Bushing-Spanner
2:1	140-2736	1	Tire	6	325-22	2	Screw-HH
2:3	114-1640	2	Bushing-Flange	7	3296-45	2	Nut-Hex
2:4	232-27	1	Stem-Valve	8	3256-68	2	Washer-Flat
2:5	302-5	1	Fitting-Grease	9	3234-47	2	Screw-HHF

● Not illustrated

■ Optional Equipment

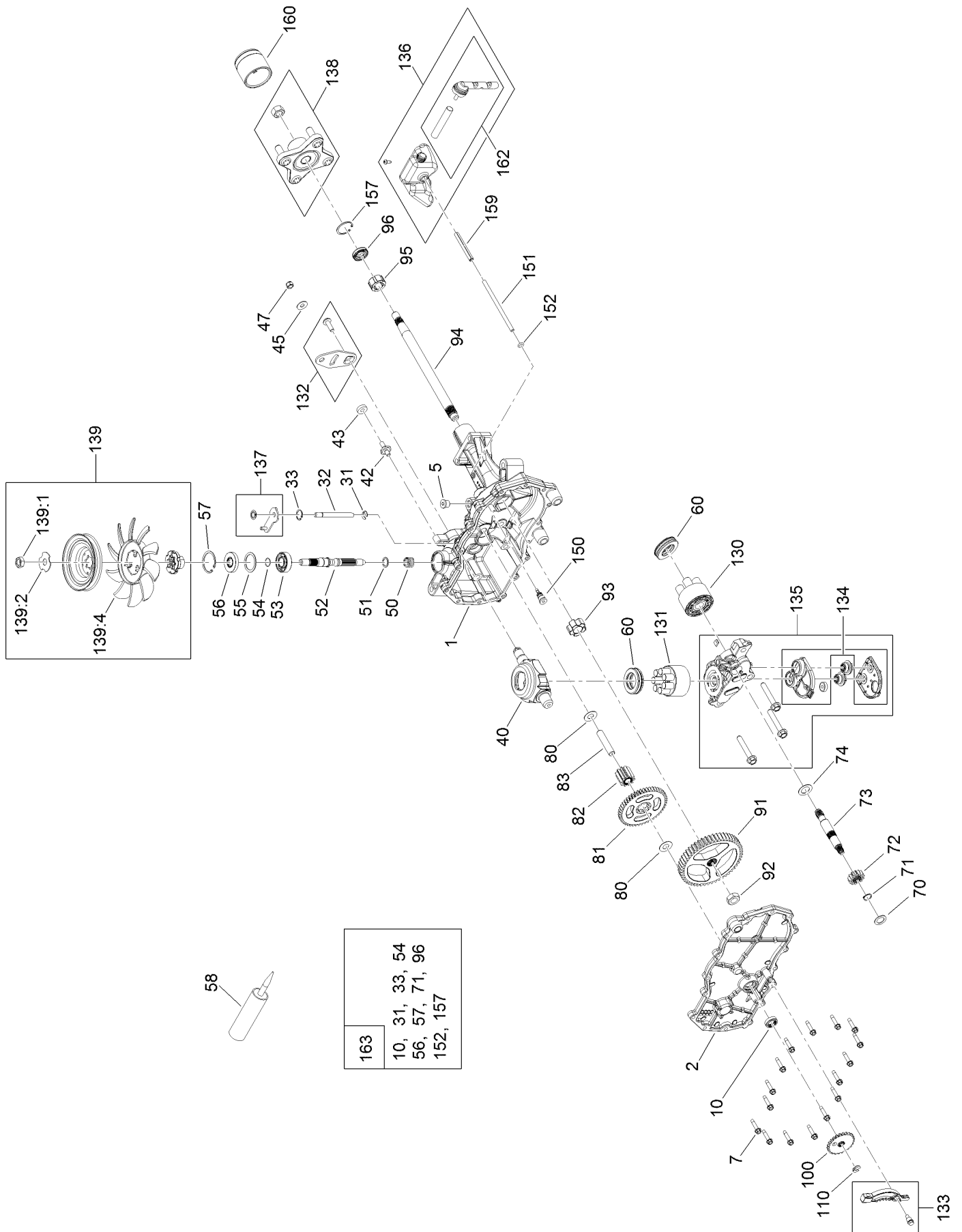
Traction Drive Assembly



Traction Drive Assembly (continued)

<i>Ref.</i>	<i>Part Number</i>	<i>Qty.</i>	<i>Description</i>	<i>Ref.</i>	<i>Part Number</i>	<i>Qty.</i>	<i>Description</i>
1	139-7450	1	LH Hydro Transaxle ASM	14	3230-8	1	Screw-CARR
2	139-7451	1	RH Hydro Transaxle ASM	15	115-1794	1	Screw-HHF
3	138-2571-03	1	Crossplate-Hydro	16	138-7590	4	Screw-HHF
4	139-2399	1	V-Belt	17	322-11	4	Screw-HH
5	138-9809	1	Spacer	18	324-8	2	Screw-HH
6	138-7276	1	Arm-Idler	19	324-10	4	Screw-HH
7	138-7277	1	Spacer-Arm, Idler	21	5-4460	1	Washer-Pivot
8	68-0030	1	Idler	22	104-8300	10	Nut-HF, NI
9	138-7597	1	Pulley-Idler, Flat	24	3296-48	6	Nut-Hex
10	137-7040	1	Spring-Return, Pedal	25	242-50	8	Nut-Lug
11	138-7245	1	Rod-Bypass, RH	32	3256-25	6	Washer-Flat
12	138-7243	1	Rod-Bypass, LH	33	3256-23	2	Washer-Plain
13	3290-307	2	Pin-Cotter	34	119-8952	2	Washer

LH Hydro Transmission Assembly No. 139-7450

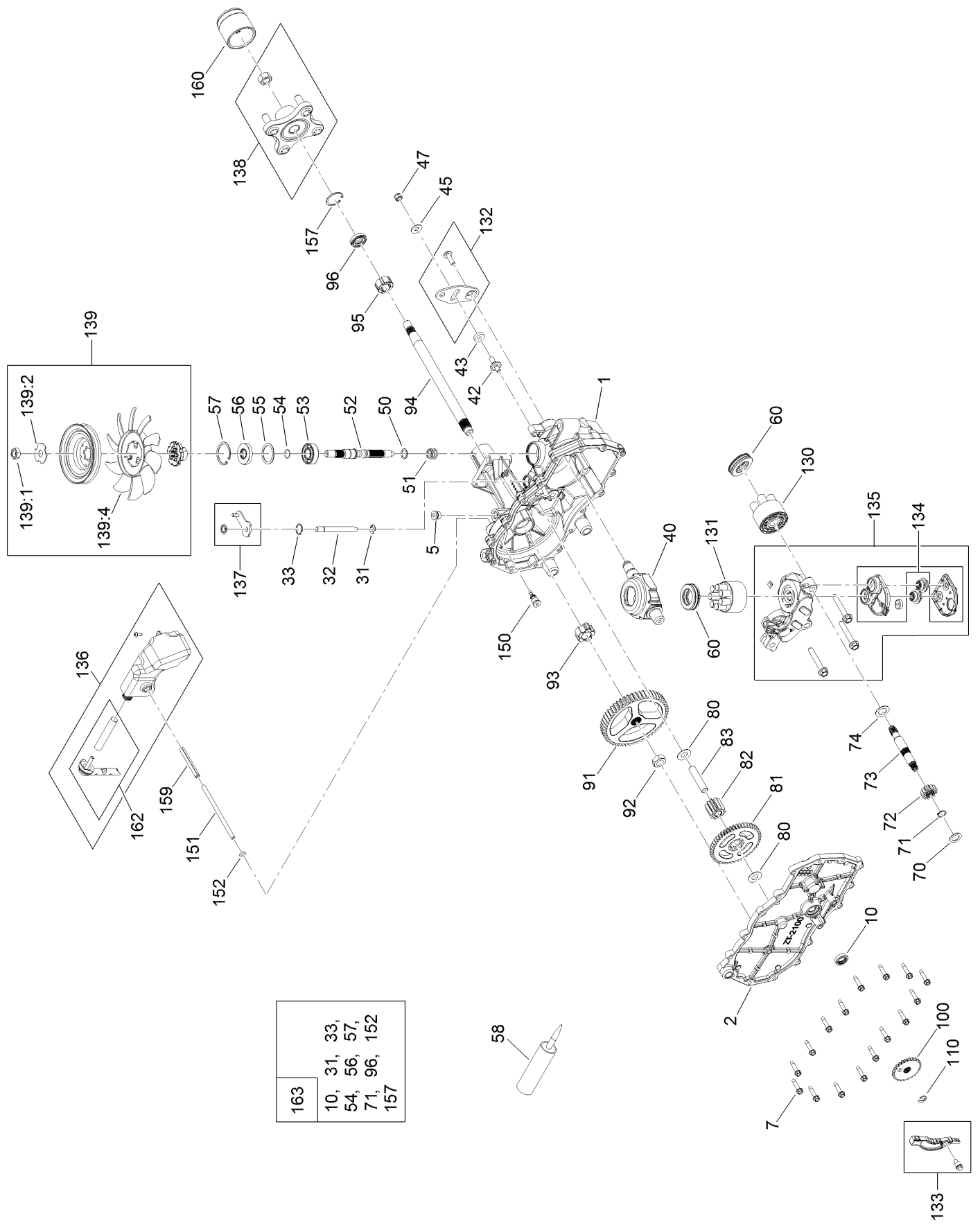


LH Hydro Transmission Assembly No. 139-7450 (continued)

<i>Ref.</i>	<i>Part Number</i>	<i>Qty.</i>	<i>Description</i>	<i>Ref.</i>	<i>Part Number</i>	<i>Qty.</i>	<i>Description</i>
1	120-5532	1	Main Housing ASM	83	104-5329	1	Pin-Jackshaft
2	120-5534	1	Housing Side Kit	91	120-5539	1	Gear-Bull
5	104-2189	1	Plug-Thread, Straight	92	104-2142	1	Nut-HJ
7	117-5359	16	Screw-HHF	93	115-8314	1	Bushing-Inboard
10		1	Seal-Lip ●	94	120-5540	1	Shaft-Axle
31	106-8677	1	Ring-Retaining, External	95	120-5541	1	Bearing-Sleeve
32	106-8678	1	Rod-Bypass	96	120-5542	1	Seal-Lip
33	106-8679	1	Ring-Retaining, Internal	100	106-8694	1	Disc-Brake, Cog
40	104-5304	1	Swashplate-Trunnion	110	106-8677	1	Ring-Retaining, External
42	104-2116	1	Stud	130	103-2666	1	Cylinder Block Kit
43	112-9853	1	Puck-Friction	131	110-8561	1	Pump Block ASM
45	114-8491	1	Washer	132	117-5362	1	Control Arm Kit
47	105-1872	1	Nut	133	106-8688	1	Brake Arm Kit
50	133-1793	1	Spring-Block	134	112-9861	1	Center Section Filter Kit
51	120-5538	1	Washer	135	114-1634	1	Filter Kit
52	104-5306	1	Shaft-Input	136	121-5730	1	RH Expansion Tank Kit
53	104-5311	1	Bearing-Ball	137	120-5549	1	Bypass Kit
54	104-5307	1	Ring-Retaining	138	121-5731	1	Hub Kit
55	104-5308	1	Spacer	139	135-7349	1	Fan And Pulley Kit
56	104-5310	1	Seal-Lip	139:1	116-9714	1	Nut-HJ
57	104-5309	1	Ring-Retaining	139:2	116-9708	1	Washer-Slotted
58	104-2147	1	Sealant	139:4	135-7364	1	Fan 7.0 X 10 Blade
60	94-6922	2	Bearing-Thrust	150	104-5349	1	Fitting-SAE
70	104-5339	1	Washer-Flat	151	115-8302	1	Hose
71	104-5340	1	Ring-Retaining	152	104-5361	1	O-Ring
72	104-5316	1	Gear-Pinnion, 13T	157	120-7102	1	Ring-Retaining
73	106-8683	1	Shaft-Motor	159	121-5728	1	Case-Tube
74	104-5360	1	Washer	160	125-0041	1	Cap-Axle
80	119-5541	1	Washer	162	139-3278	1	Breather ASM Kit
81	104-5317	1	Gear-10T/48T	163	120-7103	1	Seal And Ring Kit
82	104-5318	1	Gear-Jackshaft, 10T				

● Not serviced separately

RH Hydro Transmission Assembly No. 139-7451



163	10, 31, 33, 54, 56, 57, 71, 96, 152 157
-----	--

RH Hydro Transmission Assembly No. 139-7451 (continued)

<i>Ref.</i>	<i>Part Number</i>	<i>Qty.</i>	<i>Description</i>	<i>Ref.</i>	<i>Part Number</i>	<i>Qty.</i>	<i>Description</i>
1	120-5531	1	Main Housing ASM	83	104-5329	1	Pin-Jackshaft
2	120-5533	1	Housing Side Kit	91	120-5539	1	Gear-Bull
5	104-2189	1	Plug-Thread, Straight	92	104-2142	1	Nut-HJ
7	117-5359	16	Screw-HHF	93	115-8314	1	Bushing-Inboard
10		1	Seal-Lip ●	94	120-5540	1	Shaft-Axle
31	106-8677	2	Ring-Retaining, External	95	120-5541	1	Bearing-Sleeve
32	106-8678	1	Rod-Bypass	96	120-5542	1	Seal-Lip
33	106-8679	1	Ring-Retaining, Internal	100	106-8694	1	Disc-Brake, Cog
40	104-5304	1	Swashplate-Trunnion	110	106-8677	1	Ring-Retaining, External
42	104-2116	1	Stud	130	103-2666	1	Cylinder Block Kit
43	112-9853	1	Puck-Friction	131	110-8561	1	Pump Block ASM
45	114-8491	1	Washer	132	117-5362	1	Control Arm Kit
47	105-1872	1	Nut	133	106-8688	1	Brake Arm Kit
50	120-5538	1	Washer	134	112-9862	1	Center Section Filter Kit
51	133-1793	1	Spring-Block	135	114-1634	1	Filter Kit
52	104-5306	1	Shaft-Input	136	121-5735	1	LH Expansion Tank Kit
53	104-5311	1	Bearing-Ball	137	107-2489	1	Bypass Arm Kit
54	104-5307	1	Ring-Retaining	138	121-5731	1	Hub Kit
55	104-5308	1	Spacer	139	135-7349	1	Fan And Pulley Kit
56	104-5310	1	Seal-Lip	139:1	116-9714	1	Nut-HJ
57	104-5309	1	Ring-Retaining	139:2	116-9708	1	Washer-Slotted
58	104-2147	1	Sealant	139:4	135-7364	1	Fan 7.0 X 10 Blade
60	94-6922	2	Bearing-Thrust	150	104-5349	1	Fitting-SAE
70	104-5339	1	Washer-Flat	151	115-8302	1	Hose
71	104-5340	1	Ring-Retaining	152	104-5361	1	O-Ring
72	104-5316	1	Gear-Pinnion, 13T	157	120-7102	1	Ring-Retaining
73	106-8683	1	Shaft-Motor	159	121-5728	1	Case-Tube
74	104-5360	1	Washer	160	125-0041	1	Cap-Axle
80	119-5541	1	Washer	162	139-3278	1	Breather ASM Kit
81	104-5317	1	Gear-10T/48T	163	120-7103	1	Seal And Ring Kit
82	104-5318	1	Gear-Jackshaft, 10T				

● Not serviced separately

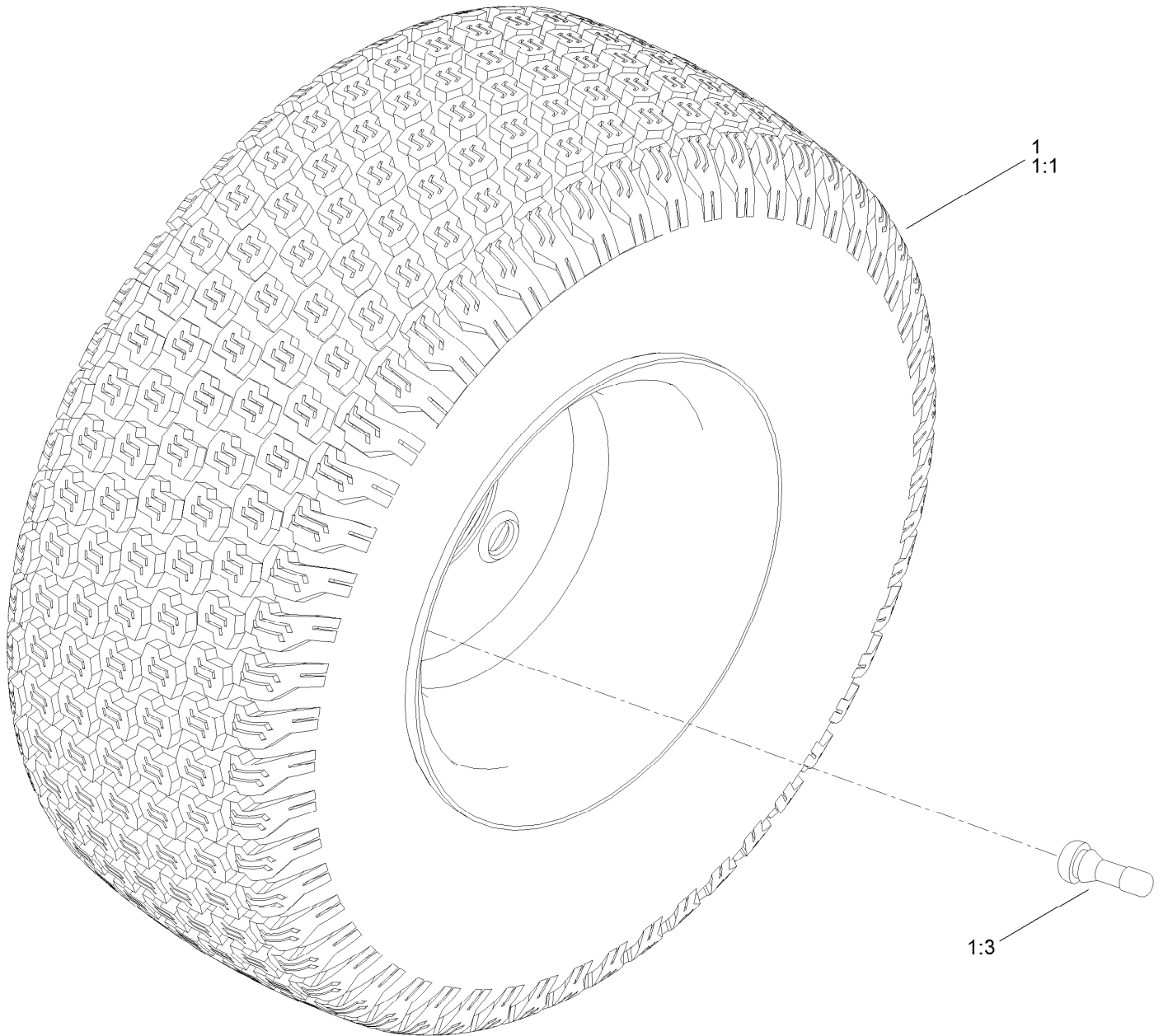
Brake Assembly



Brake Assembly (continued)

<i>Ref.</i>	<i>Part Number</i>	<i>Qty.</i>	<i>Description</i>	<i>Ref.</i>	<i>Part Number</i>	<i>Qty.</i>	<i>Description</i>
1	138-2514	1	Brake Box ASM	7	3290-307	2	Pin-Cotter
2	133-9284-03	1	Bracket-Mount, Brake	8	32144-36	4	Screw-PPH
3	138-2591	1	Rod-Brake, LH	9	32144-4	2	Screw-HWH
4	138-2592	1	Rod-Brake, RH	10	119-8952	6	Washer
5	117-1169	4	Spring-Compression	11	3296-42	2	Nut-Lock, NI

Rear Tire Assembly

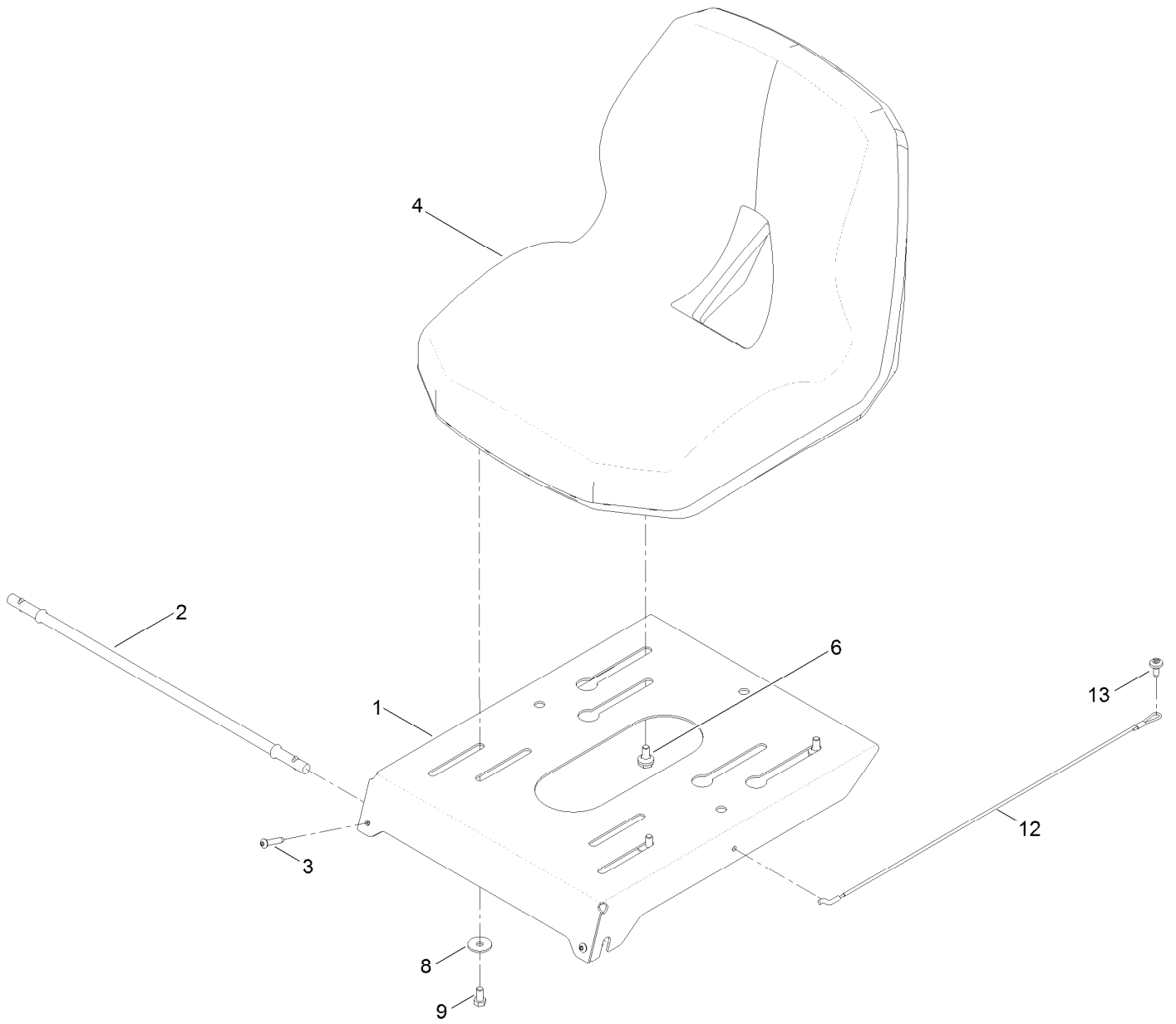


Rear Tire Assembly (continued)

<i>Ref.</i>	<i>Part Number</i>	<i>Qty.</i>	<i>Description</i>	<i>Ref.</i>	<i>Part Number</i>	<i>Qty.</i>	<i>Description</i>
1	139-5846	2	Tire ASM	1:3	232-27	1	Stem-Valve
1:1	140-2729	1	Tire	1:99	107-2491	1	Tube-Tire ●

● Not illustrated

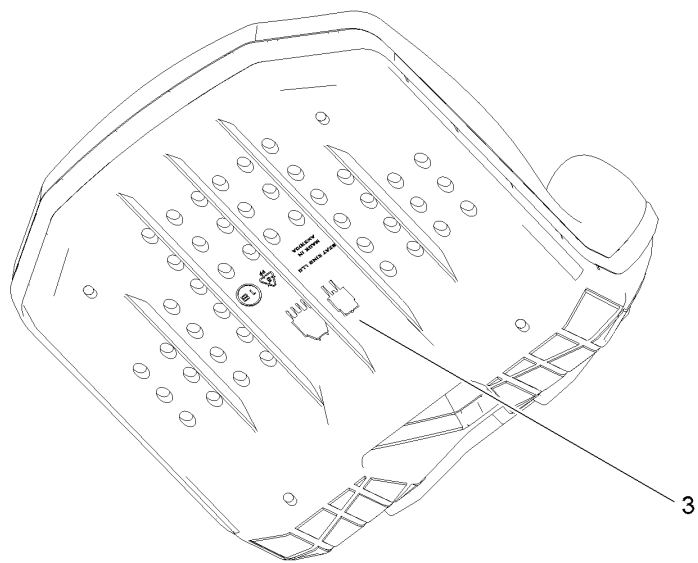
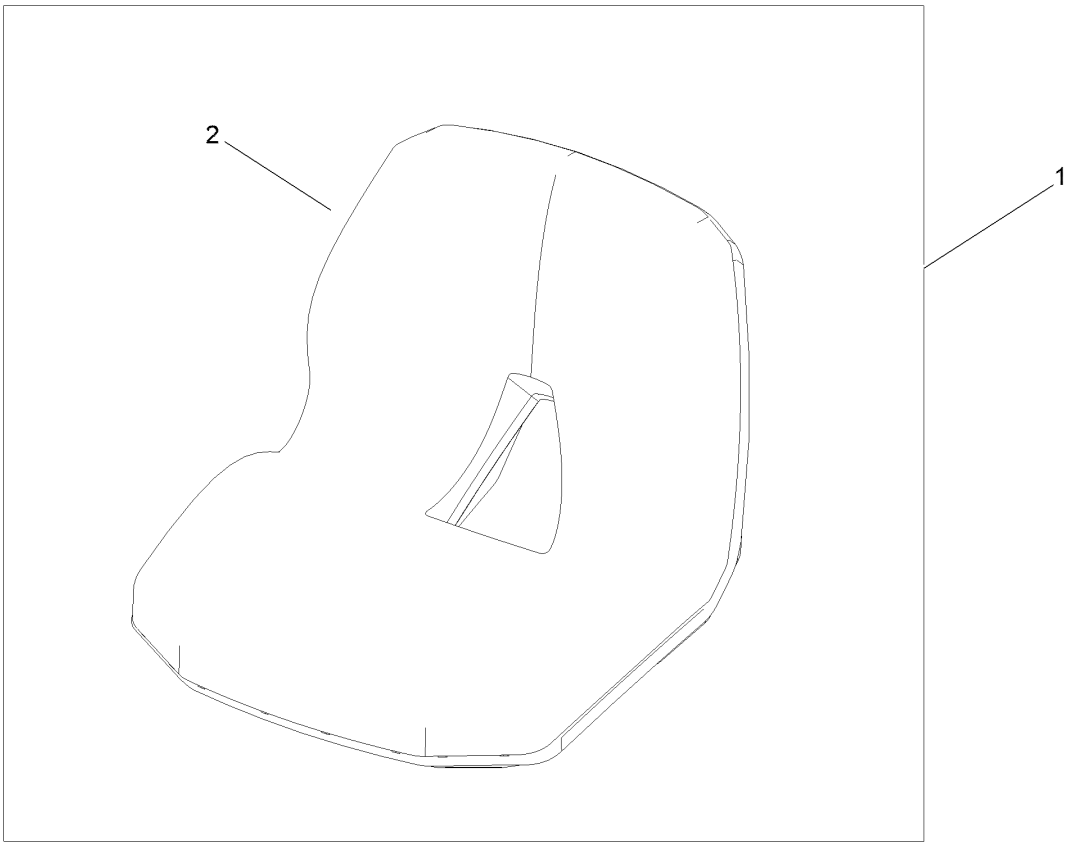
Seat Pan Assembly



Seat Pan Assembly (continued)

<i>Ref.</i>	<i>Part Number</i>	<i>Qty.</i>	<i>Description</i>	<i>Ref.</i>	<i>Part Number</i>	<i>Qty.</i>	<i>Description</i>
1	138-9781-03	1	Pan-Seat	8	5-4460	2	Washer-Pivot
2	138-7555	1	Rod-Pivot	9	322-2	2	Screw-HH
3	108-0035	2	Screw	12	139-2398	1	Cable-Lanyard
4	147-5157	1	Seat-16 In	13	120-7950	1	Screw-Torx
6	37-8771	2	Bolt-Shoulder, HF				

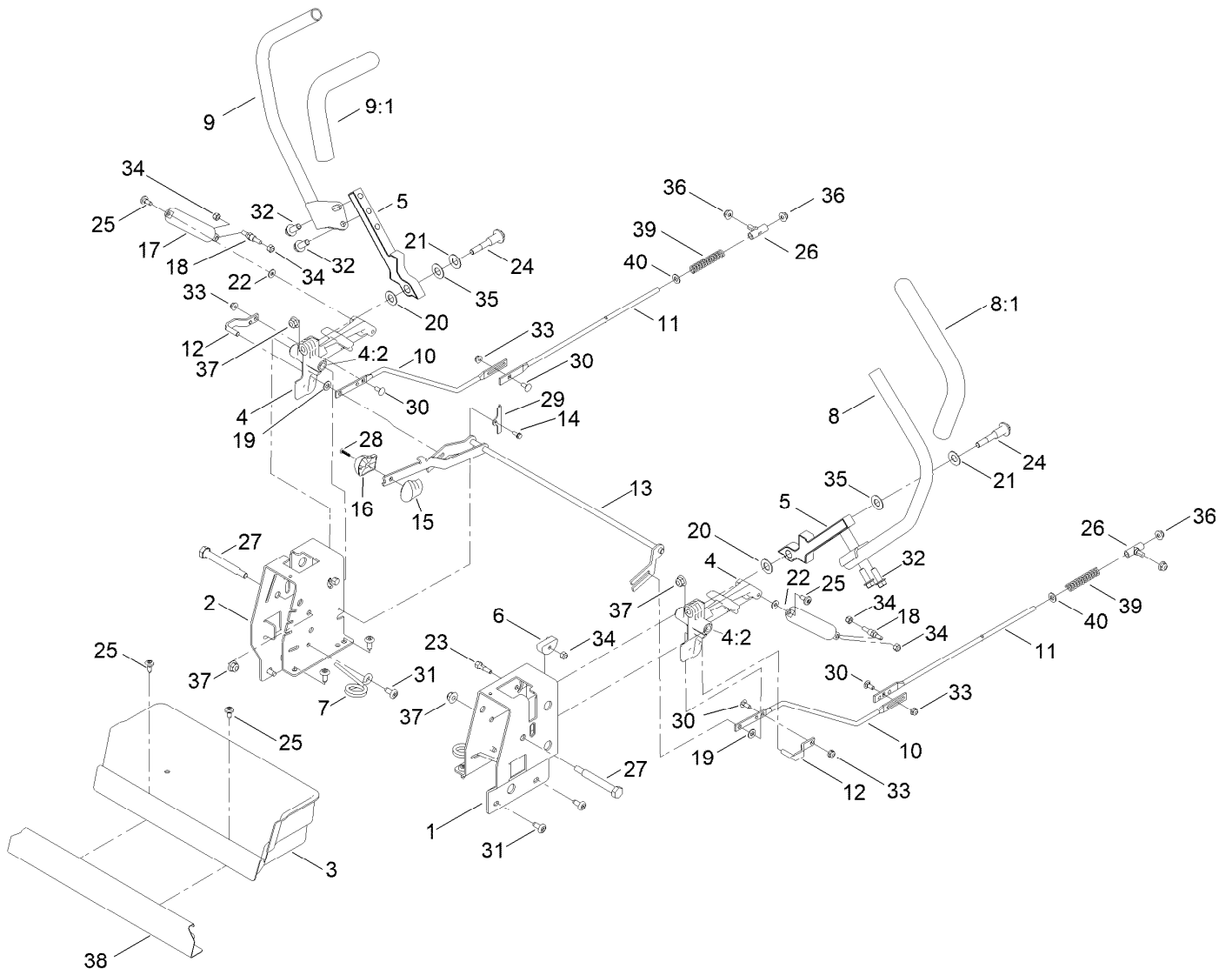
Seat Assembly No. 147-5157



Seat Assembly No. 147-5157 (continued)

<i>Ref.</i>	<i>Part Number</i>	<i>Qty.</i>	<i>Description</i>
1	139-5891	1	Seat-16 In
2	147-2983	1	Cover-Seat
3	82-2190	1	Switch-Bail

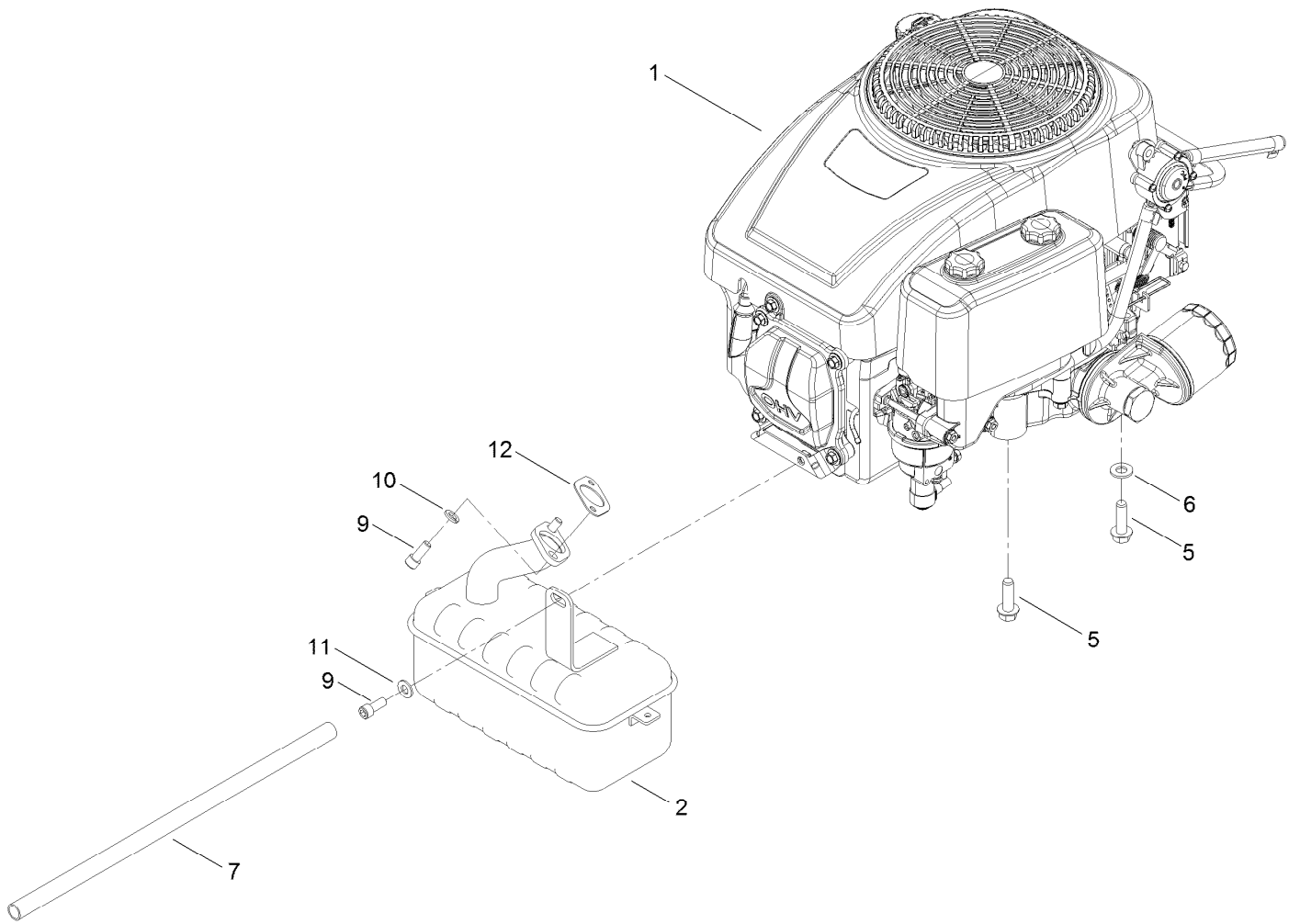
Motion Control Assembly



Motion Control Assembly (continued)

<i>Ref.</i>	<i>Part Number</i>	<i>Qty.</i>	<i>Description</i>	<i>Ref.</i>	<i>Part Number</i>	<i>Qty.</i>	<i>Description</i>
1	138-7598-03	1	Plate-Control Box, LH	20	120-2273	2	Washer-Nylon
2	138-7599-03	1	Plate-Control Box, RH	21	119-8925	2	Washer-Belleville
3	139-3279	1	Box-Storage	22	119-8952	2	Washer
4	119-3470	2	Actuator Arm ASM	23	139-5811	2	Bolt-Pivot, Eccentric
4:2	256-156	2	Bushing-Flange	24	117-1198	2	Bolt-Pivot
5	133-9299-05	2	Arm-Control	25	120-7950	4	Screw-Torx
6	139-5803	2	Eccentric	26	138-7218	2	Mount-Rod, Hydro
7	138-7539	2	Spring-Torsion	27	115-5099	2	Bolt-Pivot
8	133-7055	1	Handle-Control, LH	28	94-4496	1	Screw-PPH
8:1	121-0726	1	Grip	29	32144-1	2	Screw-Taptite
9	133-7057	1	Handle-Control, RH	30	3229-11	4	Screw-CARR
9:1	121-0726	1	Grip	31	138-9753	10	Screw
10	138-2580	2	Rod-Hydro, Front	32	3234-42	4	Screw-HHF
11	144-1818	2	Rod-Hydro, Rear	33	104-7201	4	Nut-HF, NI
12	121-1753	2	Pin-Rod, Hydro	34	3296-42	6	Nut-Lock, NI
13	138-9750	1	Speed Control ASM	35	117-1240	2	Washer
14	138-7541	2	Plate-Retainer	36	119-4041	2	Nut-HF
15	132-9368	1	Knob-RH	37	104-8301	4	Nut-HF, NI
16	132-9369	1	Knob-LH	38	139-3280-01	1	Plate-Kick
17	132-6853	2	Damper-Non Cavitating	39	138-7252	2	Spring-Compression
18	138-7215	2	Stud-Damper	40	120-9683	2	Washer-Plain
19	93-6079	2	Spacer-Nylon				

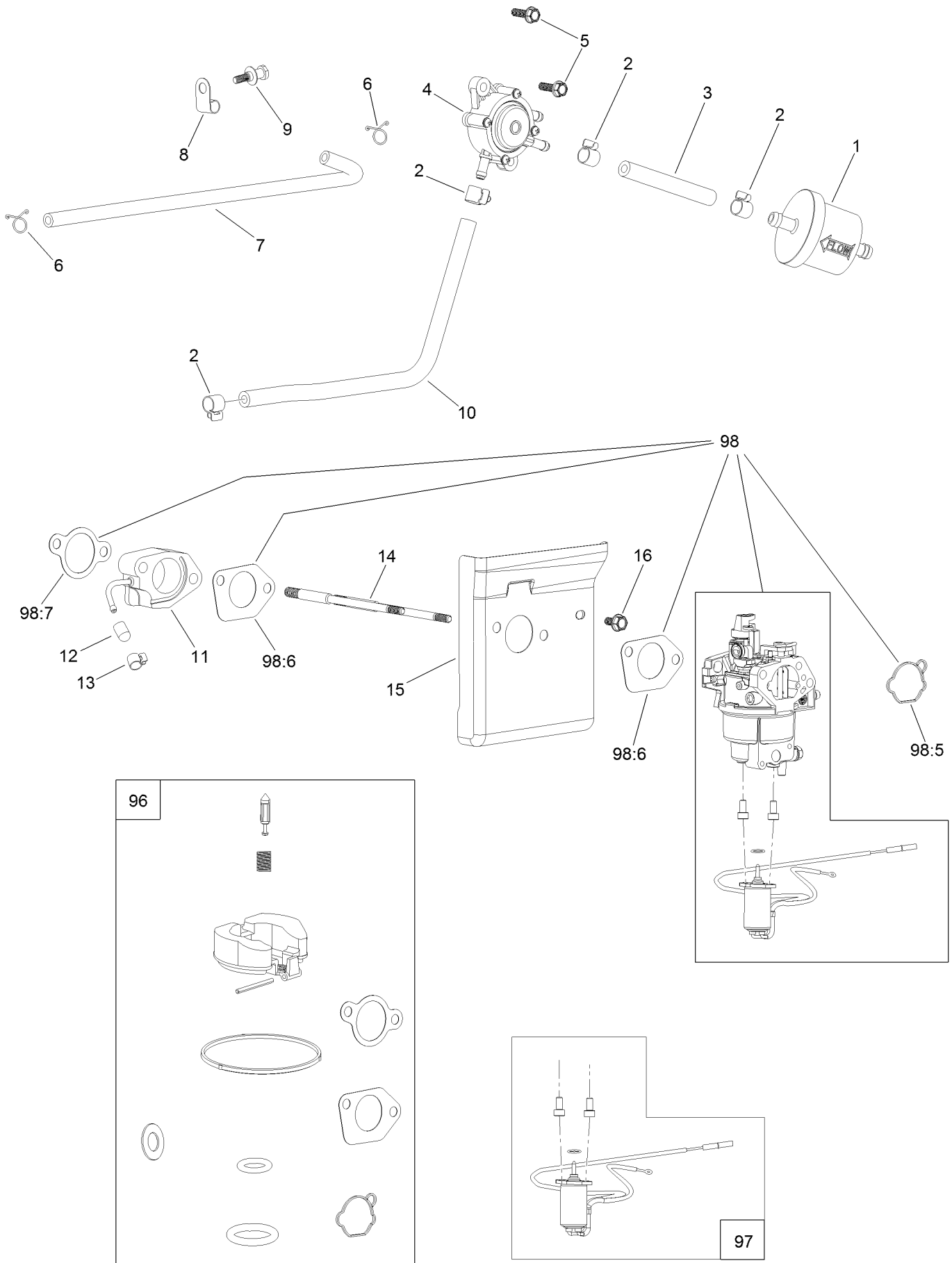
Engine and Muffler Assembly



Engine and Muffler Assembly (continued)

<i>Ref.</i>	<i>Part Number</i>	<i>Qty.</i>	<i>Description</i>	<i>Ref.</i>	<i>Part Number</i>	<i>Qty.</i>	<i>Description</i>
1	133-9971	1	Engine-1P92F-1	9	3274-10	3	Screw-HSH
2	130-0691	1	Muffler	10	3253-4	2	Washer-Lock
5	32144-109	4	Screw-Thd	11	3256-23	1	Washer-Plain
6	3256-24	3	Washer-Flat	12	120-4317	1	Gasket-Exhaust
7	106-7022	1	Tube-Drain, Oil				

Fuel System Assembly

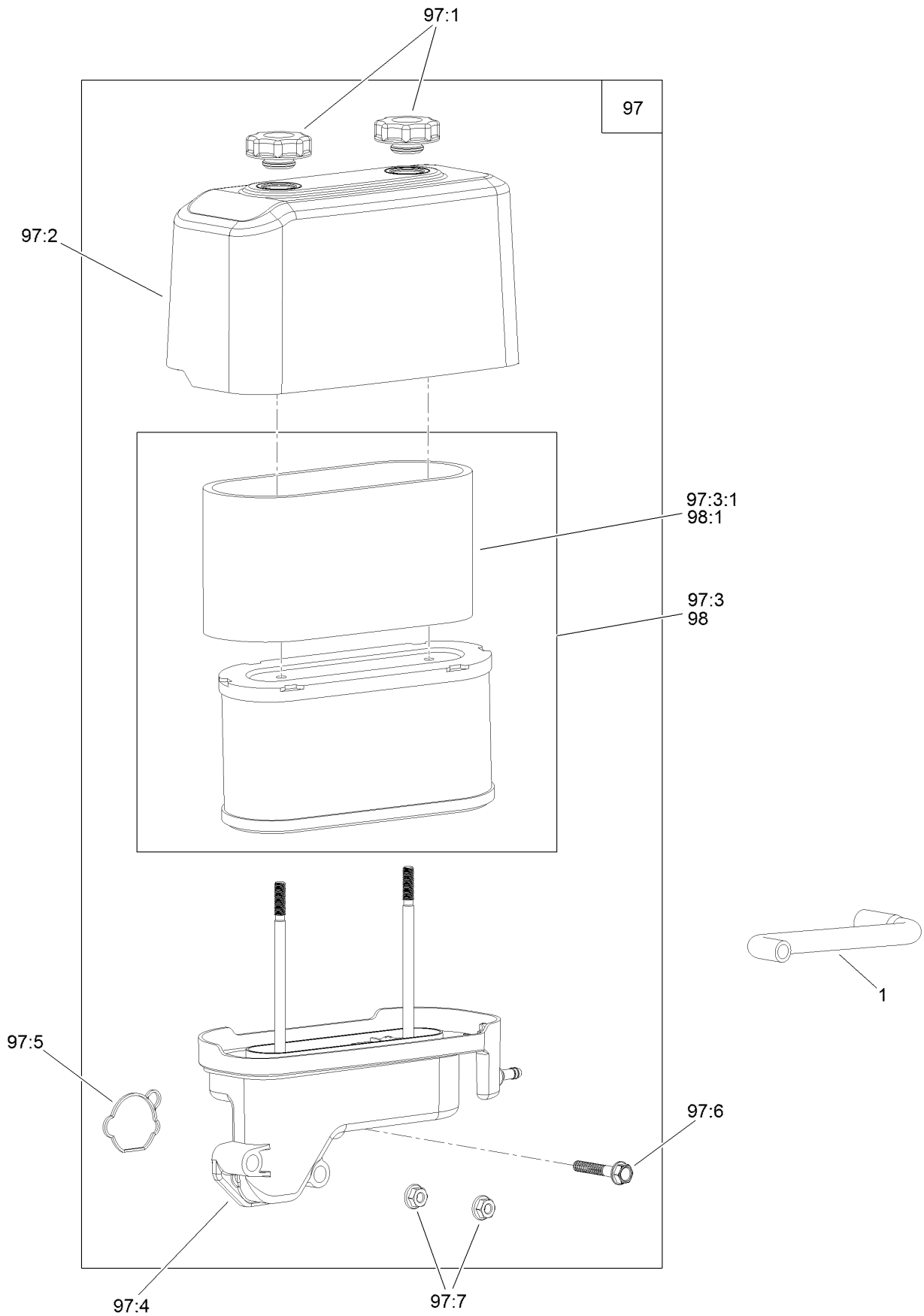


Fuel System Assembly (continued)

<i>Ref.</i>	<i>Part Number</i>	<i>Qty.</i>	<i>Description</i>	<i>Ref.</i>	<i>Part Number</i>	<i>Qty.</i>	<i>Description</i>
1	139-0717	1	Filter-Fuel	13	127-9187	1	Clamp-Hose
2	139-0719	4	Clamp-Fuel Hose	14	120-4202	2	Stud-Mount, Carburetor
3	120-4371	1	Line-Fuel	15	127-9182	1	Shroud
4	139-0685	1	Pump-Fuel	16	120-4216	1	Screw-HHF
5	120-4232	2	Screw-HHF	96	127-9194	1	Carb Repair Kit With Gaskets
6	121-0114	2	Clamp-Hose	97	127-9190	1	Solenoid Kit
7	136-7830	1	Line-Pulse	98	136-7826	1	Carburetor Kit
8	120-4287	1	Clamp-J	98:5	127-9185	1	Gasket-Carburetor
9	120-4217	1	Screw-Shoulder, HH	98:6	120-4247	2	Gasket-Carburetor
10	120-4370	1	Line-Fuel	98:7	120-4250	1	Gasket-Carburetor
11	136-7835	1	Insulator-Carburetor	99	133-9929	1	High Altitude Kit ●
12	127-9189	1	Cap-Seal				

● Not illustrated

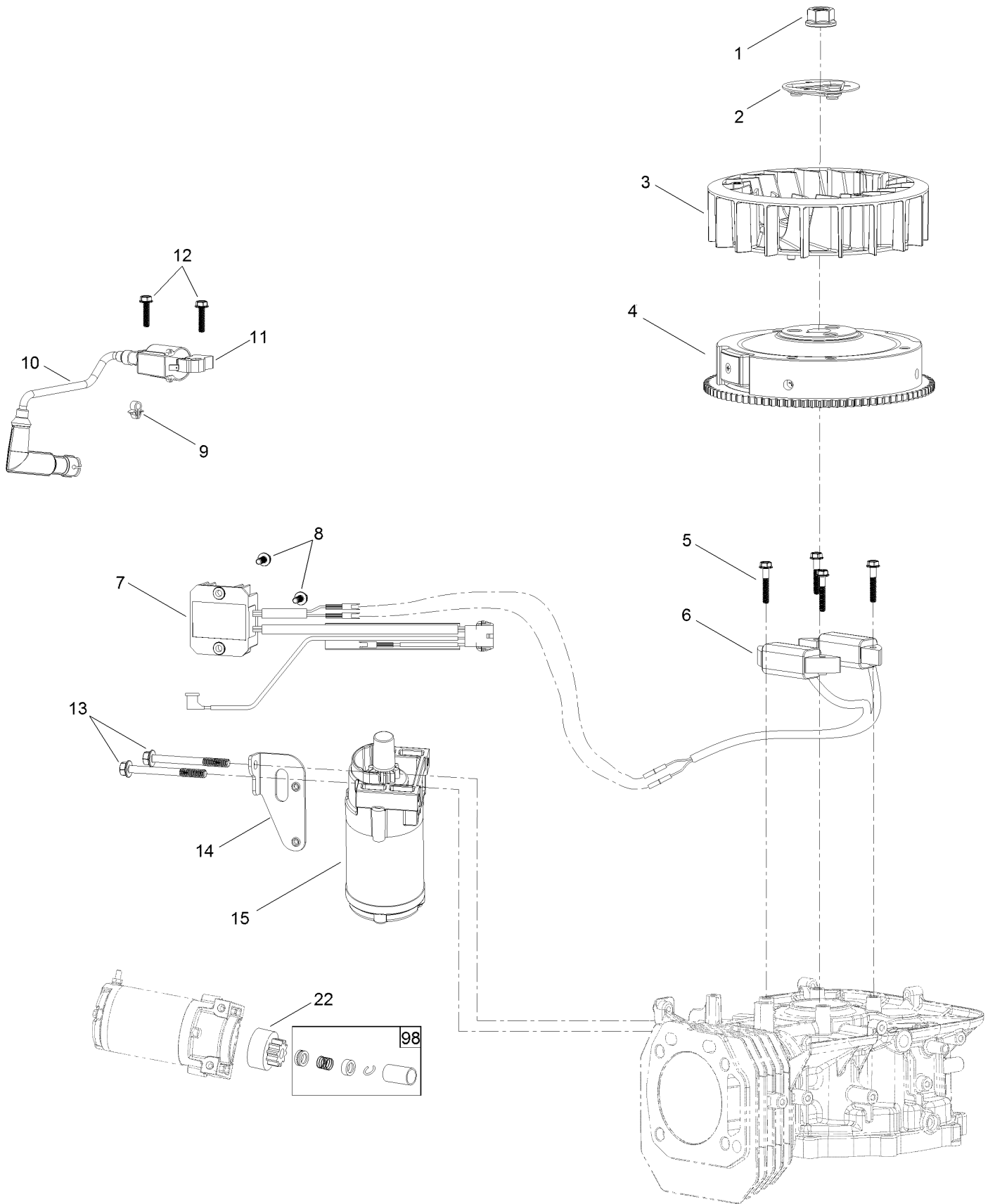
Air Intake and Filtration Assembly



Air Intake and Filtration Assembly (continued)

<i>Ref.</i>	<i>Part Number</i>	<i>Qty.</i>	<i>Description</i>	<i>Ref.</i>	<i>Part Number</i>	<i>Qty.</i>	<i>Description</i>
1	136-7829	1	Tube-Breather	97:4	127-9191	1	Base-Filter, Air
97	136-7814	1	Air Filter ASM	97:5	127-9185	1	Gasket-Carburetor
97:1	120-4312	2	Nut-Speed	97:6	120-4284	1	Screw-HHF
97:2	120-4311	1	Cover-Filter, Air	97:7	120-4236	2	Nut-Flange
97:3	136-7809	1	Air Filter Kit	98	136-7809	1	Air Filter Kit
97:3:1	136-7807	1	Prefilter	98:1	136-7807	1	Prefilter

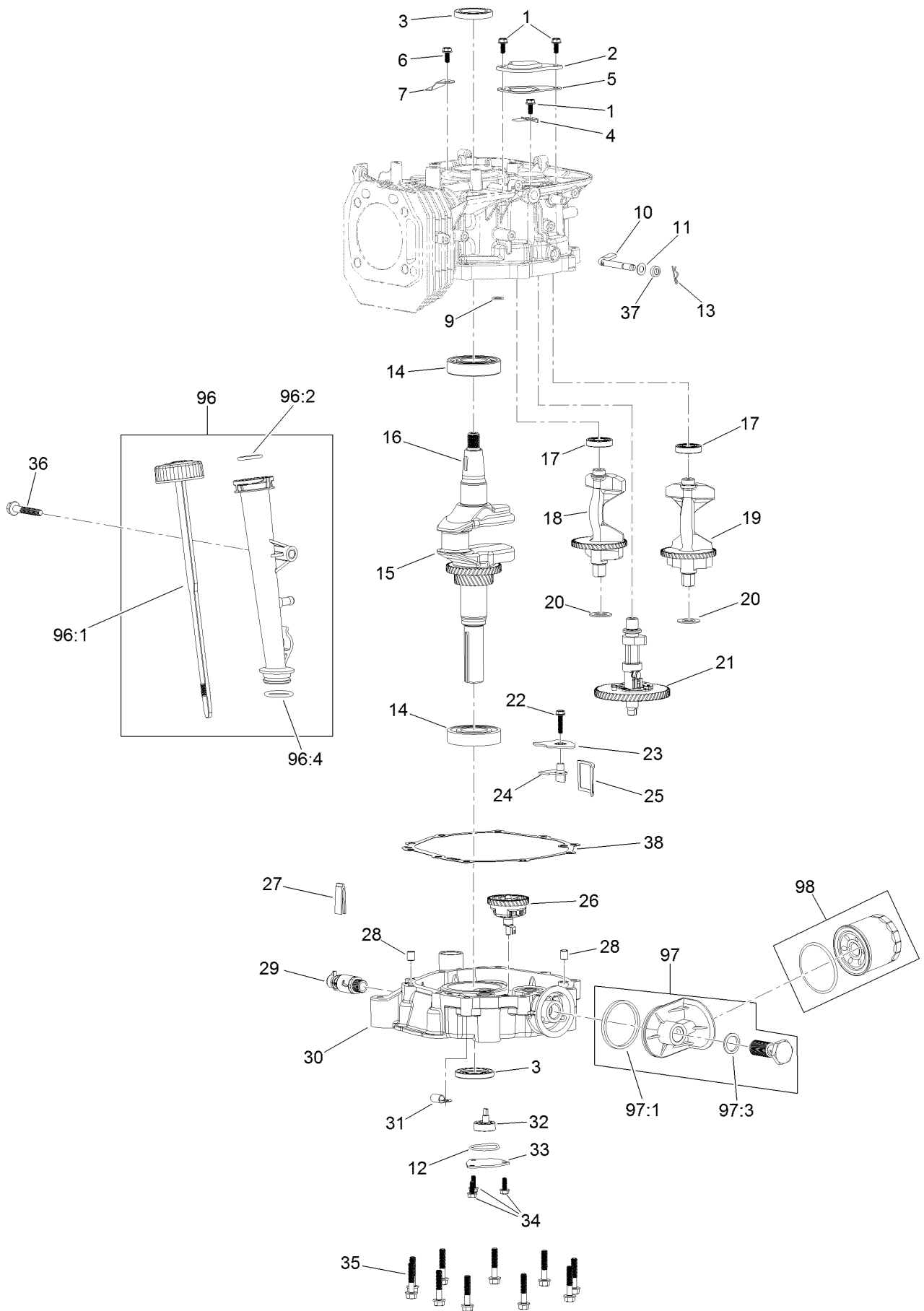
Ignition and Electrical Assembly



Ignition and Electrical Assembly (continued)

<i>Ref.</i>	<i>Part Number</i>	<i>Qty.</i>	<i>Description</i>	<i>Ref.</i>	<i>Part Number</i>	<i>Qty.</i>	<i>Description</i>
1	120-4213	1	Nut-Flange	10	120-4226	1	Boot-Plug, Spark
2	120-4212	1	Pulley-Starter	11	136-7831	1	Ignition Coil ASM
3	120-4211	1	Fan-Cooling	12	120-4225	2	Screw-HHF
4	120-4399	1	Flywheel	13	120-4231	2	Screw-HHF
5	120-4223	4	Screw-HHF	14	120-4230	1	Bracket-Starter
6	136-7833	1	Alternator	15	136-7832	1	Motor-Starter
7	136-7836	1	Voltage Regulator	22	133-1562	1	Pinion-Starter
8	120-4216	3	Screw-HHF	98	120-4392	1	Starter Repair Kit
9	120-4316	1	Clamp-Wire				

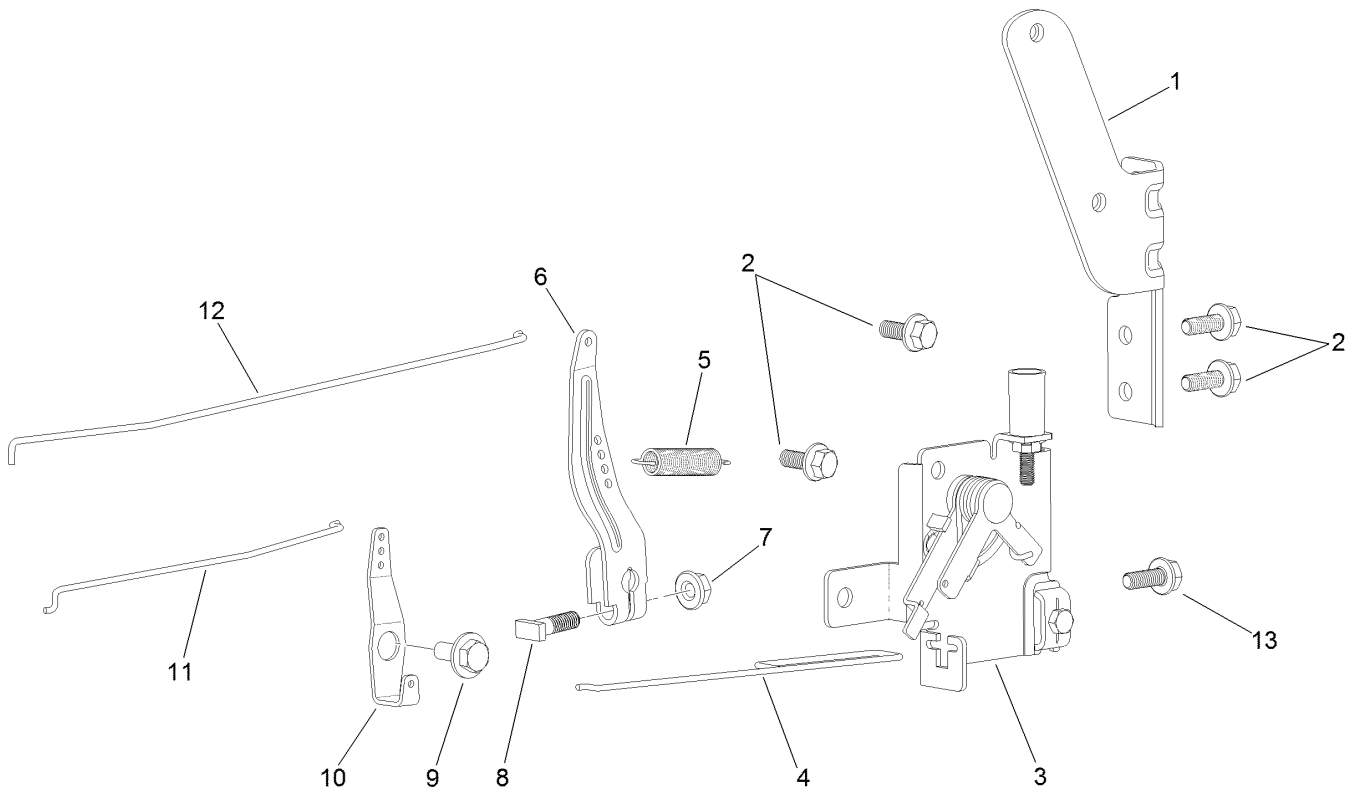
Crankcase Assembly



Crankcase Assembly (continued)

<i>Ref.</i>	<i>Part Number</i>	<i>Qty.</i>	<i>Description</i>	<i>Ref.</i>	<i>Part Number</i>	<i>Qty.</i>	<i>Description</i>
1	120-4216	3	Screw-HHF	25	120-4341	1	Strainer-Oil
2	120-4265	1	Plate-Breather	26	136-7834	1	Gear-Governor
3	120-4267	2	Seal-Oil	27	120-4275	1	Deflector-Oil, Rubber
4	120-4263	1	Valve-Reed	28	120-4274	2	Pin-Dowel
5	120-4264	1	Gasket-Breather	29	120-4321	1	Valve-Drain, Oil
6	120-4234	1	Screw-HHF	30	136-7828	1	Cover-Crankcase
7	120-4268	1	Retainer	31	127-9188	1	Clamp-Hose
9	120-4262	1	O-Ring	32	120-4344	1	Oil Pump ASM
10	136-7887	1	Shaft-Governor	33	120-4270	1	Cover-Pump, Oil
11	120-4258	1	Washer-Plain	34	120-4232	3	Screw-HHF
12	120-4343	1	Seal-Pump, Oil	35	120-4273	10	Screw-HHF
13	120-4256	1	Pin-Hair	36	120-4284	1	Screw-HHF
14	120-4261	2	Bearing-Ball	37	120-4257	1	Seal-Oil
15	120-4293	1	Crankshaft	38	120-4260	1	Gasket-Crankcase
16	120-4320	1	Key-Woodruff	96	120-4355	1	Dipstick And Tube Kit
17	120-4266	2	Bearing-Ball	96:1	120-4350	1	Dipstick ASM
18	127-9179	1	Shaft-Balance, R	96:2	120-4348	1	O-Ring
19	127-9180	1	Shaft-Balance, L	96:4	120-4282	1	O-Ring
20	136-7886	2	Washer	97	120-4363	1	Oil Adaptor Kit
21	120-4297	1	Camshaft	97:1	120-4362	1	Seal-Adaptor, Oil
22	120-4225	1	Screw-HHF	97:3	120-4360	1	Washer-Filter, Oil
23	120-4342	1	Cover-Strainer, Oil	98	136-7848	1	Filter-Oil
24	120-4279	1	Plate-Baffle, Oil				

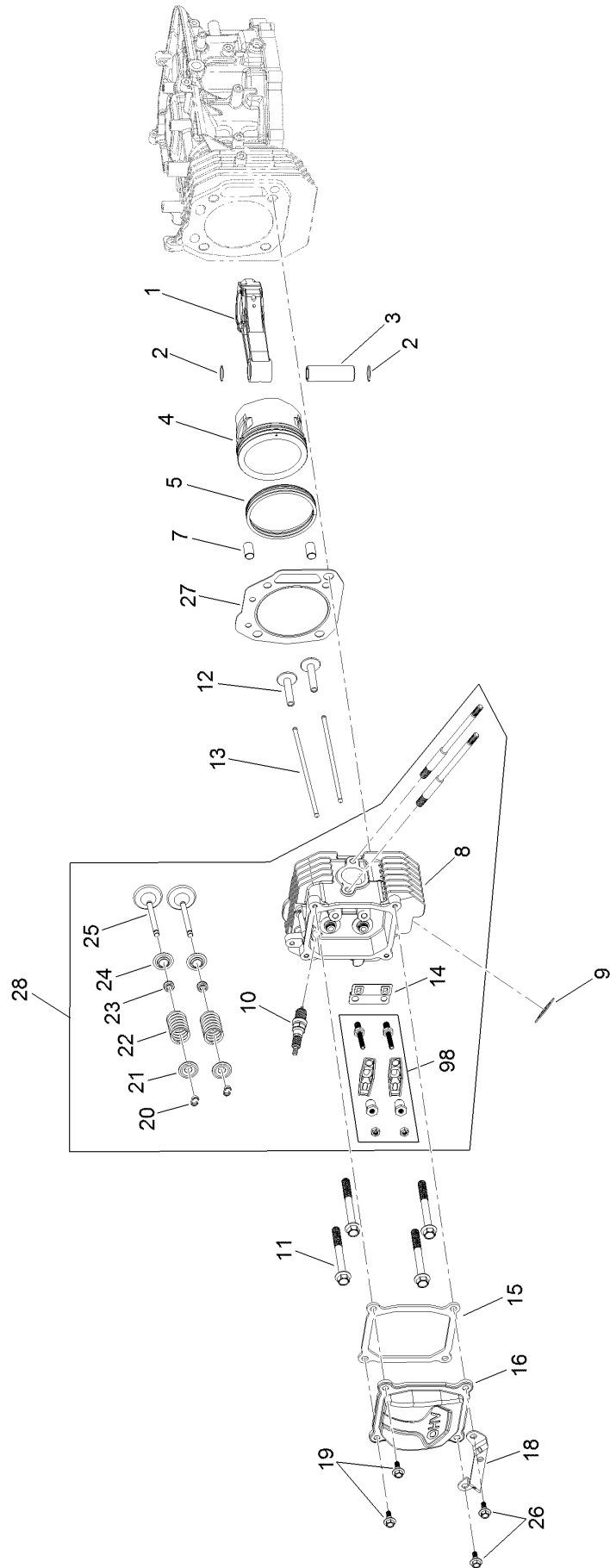
Governor Control Assembly



Governor Control Assembly (continued)

<i>Ref.</i>	<i>Part Number</i>	<i>Qty.</i>	<i>Description</i>	<i>Ref.</i>	<i>Part Number</i>	<i>Qty.</i>	<i>Description</i>
1	120-4357	1	Bracket-Pump, Fuel	8	120-4238	1	Bolt-Arm, Governor
2	120-4234	4	Screw-HHF	9	120-4241	1	Screw-Shoulder, HHF
3	120-4358	1	Control-Throttle	10	120-4242	1	Bellcrank-Choke
4	120-4243	1	Rod-Throttle	11	120-4240	1	Rod-Choke
5	120-4337	1	Spring-Governor	12	120-4239	1	Rod-Governor
6	120-4352	1	Arm-Governor	13	120-4232	1	Screw-HHF
7	120-4236	1	Nut-Flange				

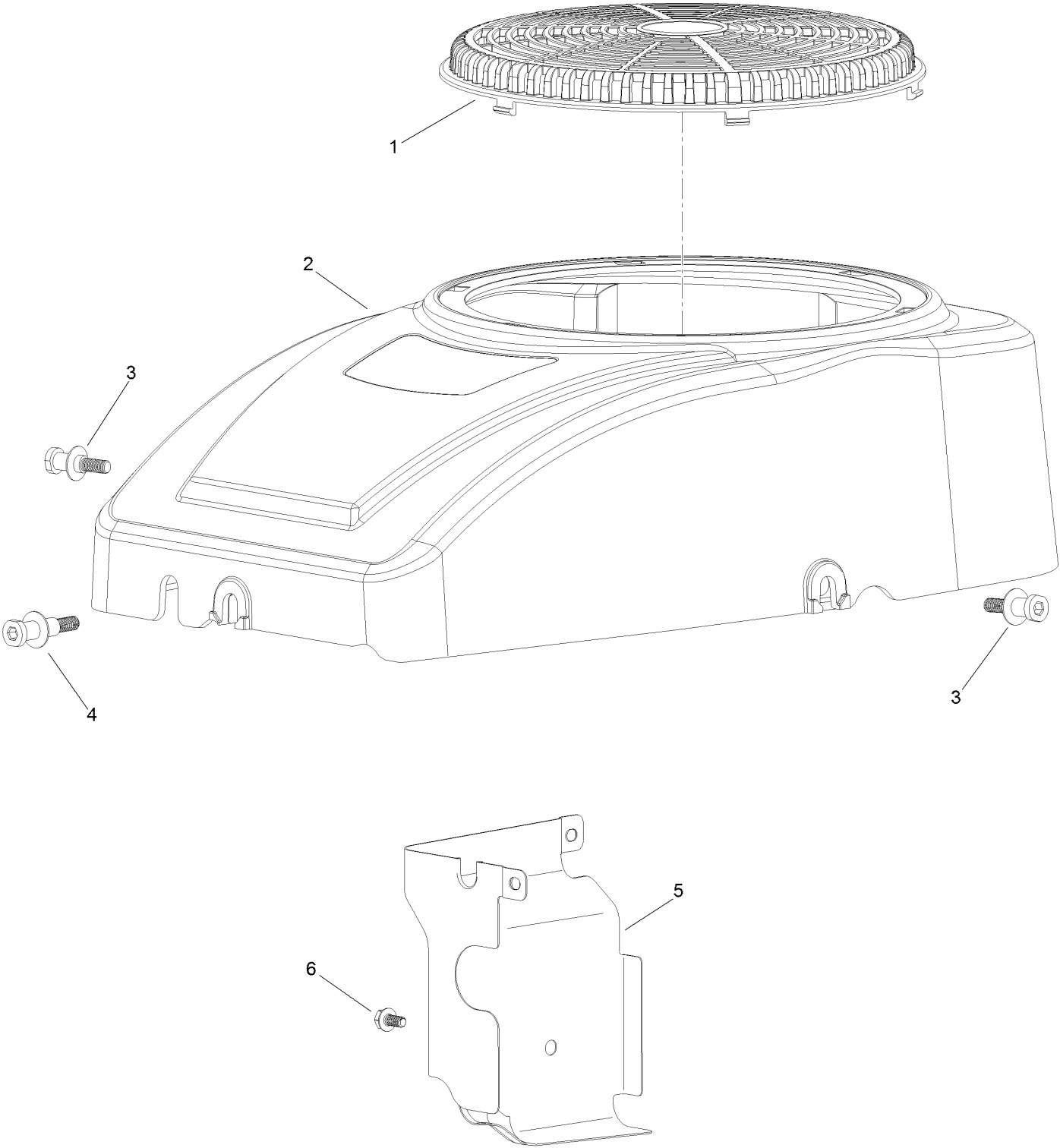
Piston and Cylinder Head Assembly



Piston and Cylinder Head Assembly (continued)

<i>Ref.</i>	<i>Part Number</i>	<i>Qty.</i>	<i>Description</i>	<i>Ref.</i>	<i>Part Number</i>	<i>Qty.</i>	<i>Description</i>
1	120-4292	1	Connecting Rod ASM	16	120-4207	1	Cover-Valve
2	120-4288	2	Ring-Retaining, Piston Pin	18	120-4345	1	Bracket-Muffler
3	120-4291	1	Pin-Piston	19	120-4209	2	Screw-Shoulder, HHF
4	120-4290	1	Piston	20	120-4307	4	Keeper-Valve
5	120-4289	1	Ring Set	21	120-4306	2	Retainer-Spring, Valve
7	120-4200	2	Pin-Dowel	22	120-4305	2	Spring-Valve
8	120-4203	1	Head-Cylinder	23	120-4304	2	Seal-Stem, Valve
9	120-4317	1	Gasket-Exhaust	24	120-4303	2	Seat-Spring, Valve
10	77-7330	1	Plug-Spark	25	120-4302	2	Valve Set
11	120-4205	4	Screw-HHF	26	120-4210	2	Screw-Shoulder, HHF
12	120-4298	2	Lifter-Valve	27	120-4201	1	Gasket-Cylinder
13	120-4340	2	Rod-Push	28	136-7888	1	Complete Head ASM
14	120-4300	1	Plate-Guide, Push Rod	98	136-7885	1	Rocker Arm Kit
15	120-4206	1	Gasket-Cover, Valve				

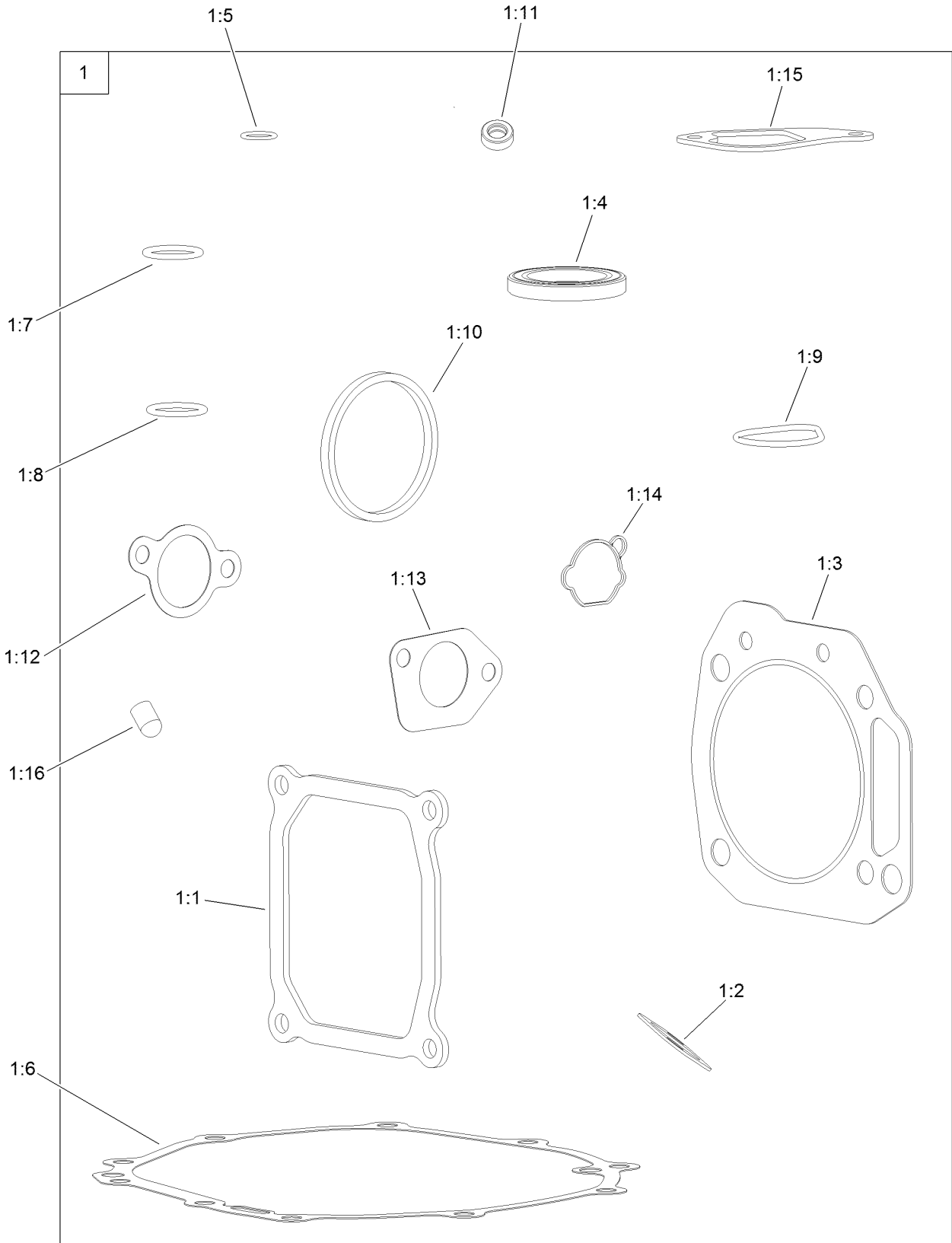
Blower Housing Assembly



Blower Housing Assembly (continued)

<i>Ref.</i>	<i>Part Number</i>	<i>Qty.</i>	<i>Description</i>	<i>Ref.</i>	<i>Part Number</i>	<i>Qty.</i>	<i>Description</i>
1	120-4219	1	Screen-Stationary	4	120-4214	1	Screw-Shoulder, HH
2	120-4218	1	Shroud-Fan	5	120-4215	1	Shield
3	120-4217	2	Screw-Shoulder, HH	6	120-4216	1	Screw-HHF

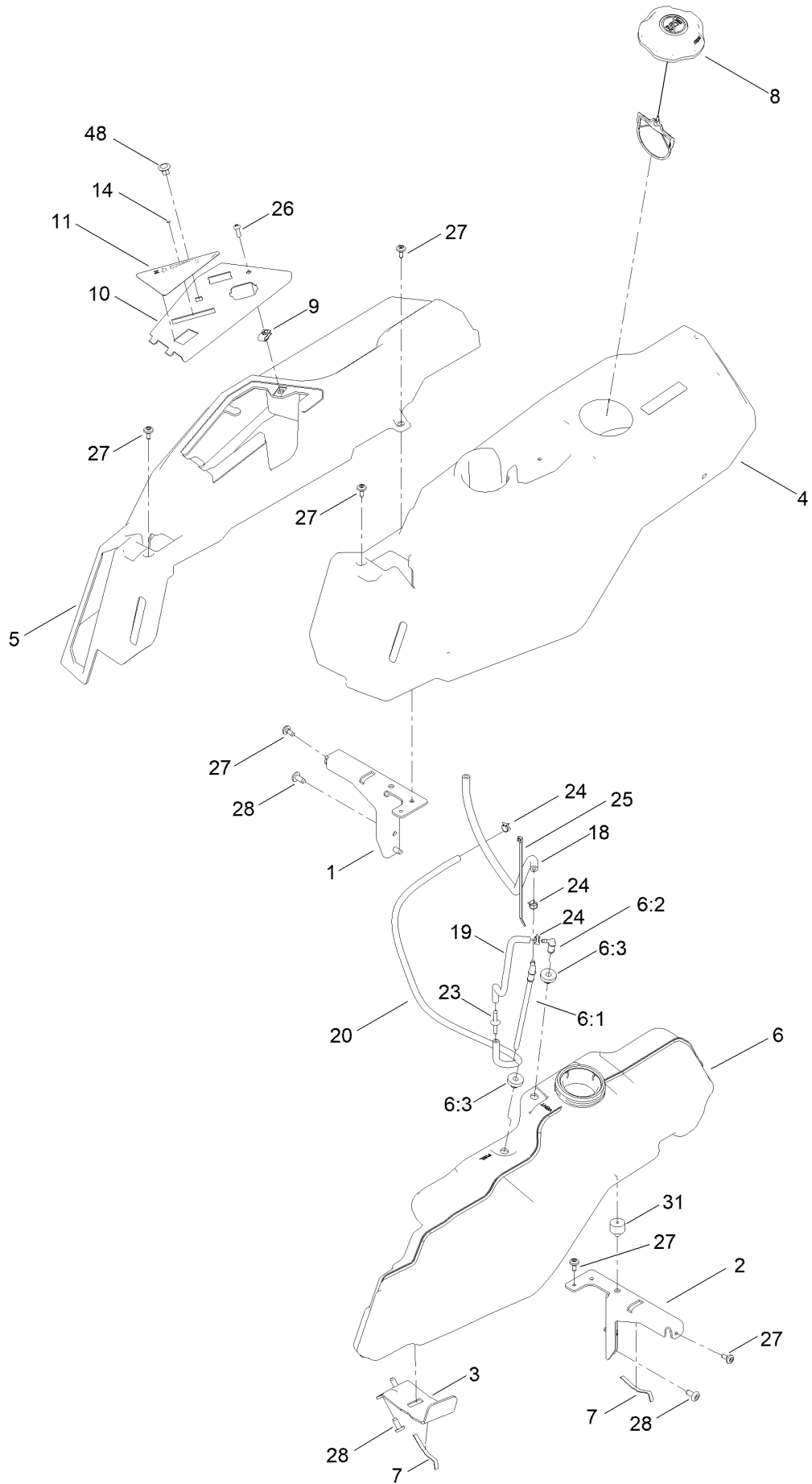
Gasket and Seal Kit



Gasket and Seal Kit (continued)

<i>Ref.</i>	<i>Part Number</i>	<i>Qty.</i>	<i>Description</i>	<i>Ref.</i>	<i>Part Number</i>	<i>Qty.</i>	<i>Description</i>
1	127-9192	1	Gasket And Seal Kit	1:9	120-4343	1	Seal-Pump, Oil
1:1	120-4206	1	Gasket-Cover, Valve	1:10	120-4362	1	Seal-Adaptor, Oil
1:2	120-4317	1	Gasket-Exhaust	1:11	120-4257	1	Seal-Oil
1:3	120-4201	1	Gasket-Cylinder	1:12	120-4250	1	Gasket-Carburetor
1:4	120-4267	2	Seal-Oil	1:13	120-4247	2	Gasket-Carburetor
1:5	120-4262	1	O-Ring	1:14	127-9185	1	Gasket-Carburetor
1:6	120-4260	1	Gasket-Crankcase	1:15	120-4264	1	Gasket-Breather
1:7	120-4348	1	O-Ring	1:16	127-9189	1	Cap-Seal
1:8	120-4282	1	O-Ring				

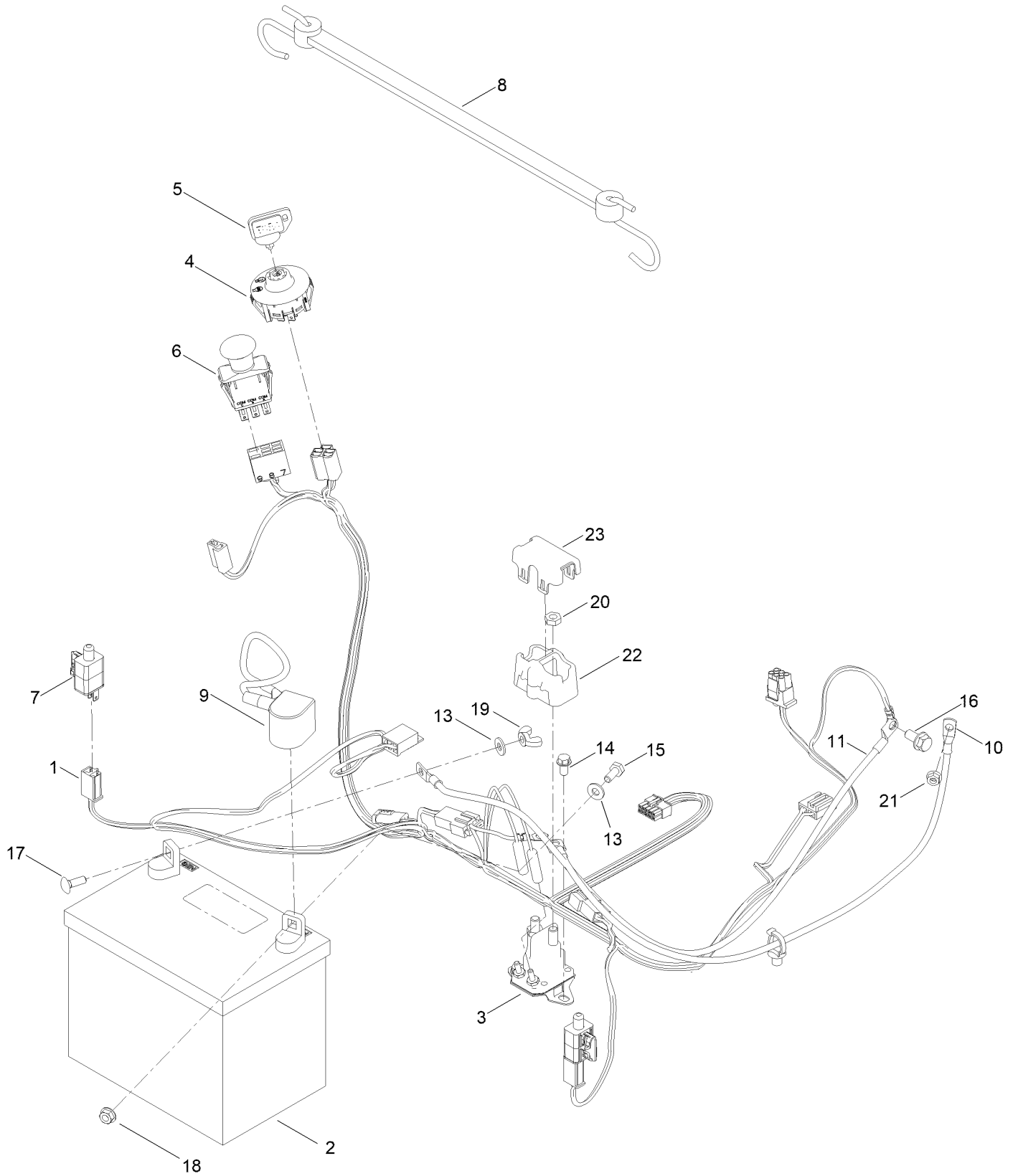
Body Styling and Fuel Pod Assembly



Body Styling and Fuel Pod Assembly (continued)

<i>Ref.</i>	<i>Part Number</i>	<i>Qty.</i>	<i>Description</i>	<i>Ref.</i>	<i>Part Number</i>	<i>Qty.</i>	<i>Description</i>
1	138-6070-03	1	Support-Pod, RH	11	140-2716	1	Decal-Panel Control
2	138-6071-03	1	Support-Pod, LH	14	139-3266	1	Cable-Throttle And Choke
3	139-3271-03	1	Support-Tank, Fuel	18	108-4582	1	Hose-Fuel
4	138-6074	1	Pod-LH	19	136-6345	1	Hose-Fuel
5	138-6075	1	Pod-RH	20	110-3254	1	Hose-Fuel
6	144-5304	1	Tank-Fuel ASM	23	144-1983	1	Adapter Orifice
6:1	139-1091	1	Connector-Elbow, 90 DEG	24	2412-98	3	Clamp-Hose
6:2	144-5302	1	Fitting-Elbow 90	25	614249	1	Tie-Cable
6:3	46-6560	2	Bushing	26	3258-166	1	Screw-PRH
7	609830	2	Spring	27	120-7950	6	Screw-Torx
8	137-4119	1	Cap-Fuel, Ratcheting	28	138-9753	6	Screw
9	107069	1	Clip	31	120-7893	1	Bumper-Grommet
10	139-2380-03	1	Panel - Control	48	140-2750	1	Plug-Dash

Electrical Assembly

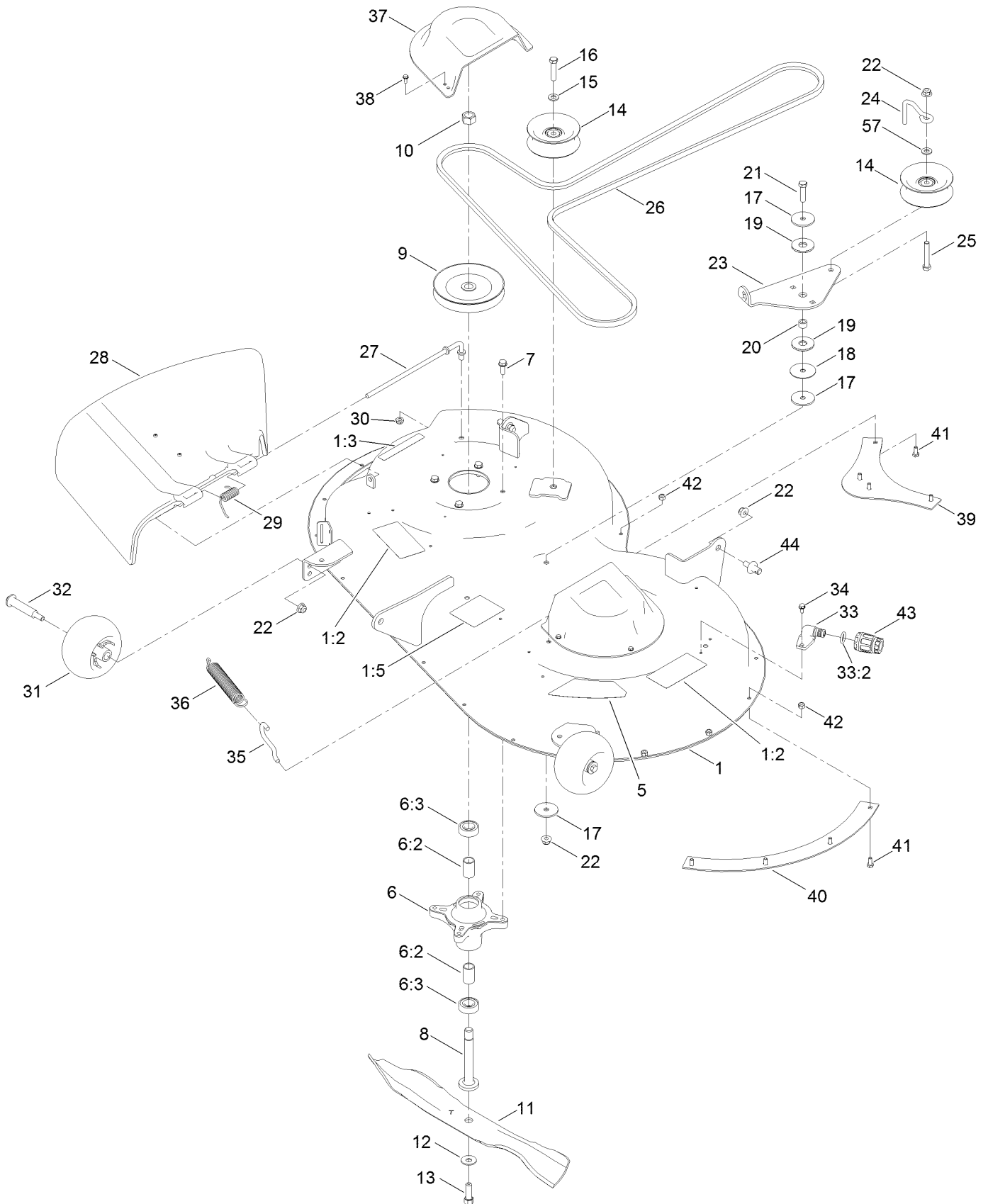


Electical Assembly (continued)

<i>Ref.</i>	<i>Part Number</i>	<i>Qty.</i>	<i>Description</i>	<i>Ref.</i>	<i>Part Number</i>	<i>Qty.</i>	<i>Description</i>
1	138-2521	1	Harness-Wire	11	110-6793	1	Cable-Battery, Black
1:1	109355	1	Fuse-Blade, 15 Amp ●	13	3256-22	2	Washer-Flat
1:2	109102	1	Fuse-Blade, 25 Amp ●	14	32144-4	2	Screw-HWH
2	105-1692	1	Battery, 230CCA W/O Electrolyte	15	321-3	1	Screw-HH
3	117-1197	1	Solenoid	16	3234-14	1	Screw-HHF
4	137-4100	1	Switch-Ignition	17	3229-1	1	Screw-CARR
5	63-8360	1	Key-Ignition	18	32128-33	1	Nut-HF
6	103-5221	1	Switch-PTO	19	32103-22	1	Nut-Wing
7	110-6765	2	Switch	20	3220-2	2	Nut-Jam
8	139-2381	1	Strap-Rubber	21	33003-00	1	Nut-HF
9	140-2713	1	Cable-Battery, Pos	22	140-2080	1	Cover-Solenoid
10	139-2431	1	Cable-Battery, Red (8 Gauge)	23	140-2081	1	Cap-Solenoid

● Not illustrated

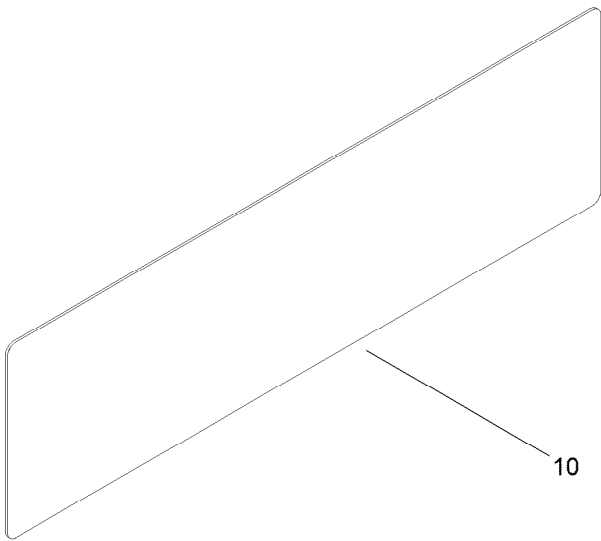
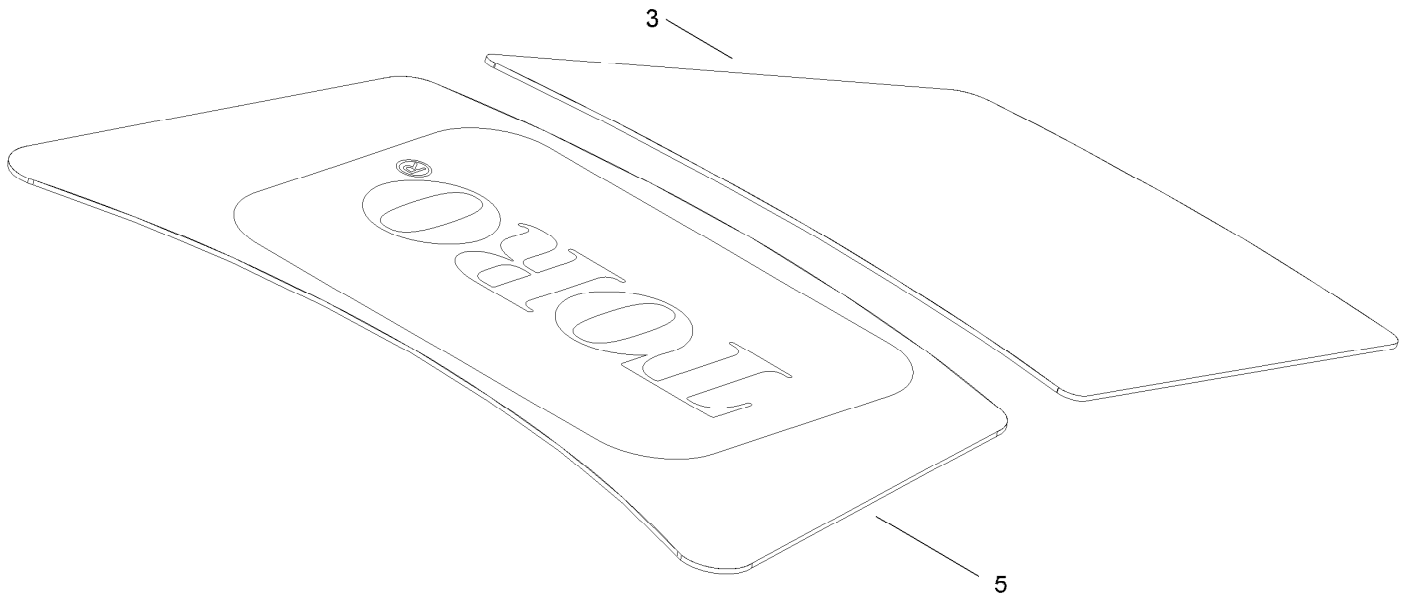
42 Inch Deck Assembly



42 Inch Deck Assembly (continued)

<i>Ref.</i>	<i>Part Number</i>	<i>Qty.</i>	<i>Description</i>	<i>Ref.</i>	<i>Part Number</i>	<i>Qty.</i>	<i>Description</i>
1	138-9761	1	42 Inch Deck And Decal ASM	23	138-7262	1	Arm-Idler
1:2	132-0872	2	Decal-Danger, Deck	24	138-7270	1	Guide-Belt, Idler
1:3	93-7009	1	Decal-Danger	25	323-11	1	Screw-HH
1:5	105-7015	1	Decal-Routing, Belt	26	119-8819	1	V-Belt
5	117-1222	1	Decal	27	137-2019	1	Rod-Pivot
6	139-3214	2	Spindle ASM	28	137-7046	1	Deflector
6:2	120-7935	2	Spacer	29	138-7268	1	Spring-Torsion
6:3	138-9770	2	Bearing-Ball	30	3296-59	1	Nut-Lock, NI
7	32144-41	8	Screw-Taptite	31	1-603299	2	Roller-Scalp, Anti
8	117-7268	2	Shaft-Spindle	32	112-3977	2	Bolt-Shoulder
9	139-2433	2	Pulley	33	133-9289	1	Fitting-Washout
10	3219-6	2	Nut-Hex	33:2	133-9290	1	O-Ring
11	137-1999-03	2	Blade	34	32144-4	2	Screw-HWH
12	3290-465	2	Washer-Belleville	35	138-7267	1	Hook-Spring, Return
13	26-0671	2	Screw-HH	36	138-7265	1	Spring Extension
14	132-9420	2	Pulley-Idler, Flat	37	108-7889	2	Cover-Belt
15	3256-24	1	Washer-Flat	38	32144-1	6	Screw-Taptite
16	323-9	1	Screw-HH	39	137-2036-03	1	Baffle-Blowout, Rear
17	63-7400	3	Washer-Rebound	40	137-2037-03	1	Baffle-Blowout, Side
18	120-2229	1	Washer	41	321-3	8	Screw-HH
19	114-0463	2	Washer-Friction, Composite	42	3296-42	8	Nut-Lock, NI
20	115-4986	1	Spacer	43	95-3270	1	Connector-Hose
21	323-8	1	Screw-HH	44	139-5871	2	Pin-Deck
22	104-8301	6	Nut-HF, NI	57	138-7207	1	Spacer-Hub, Blower

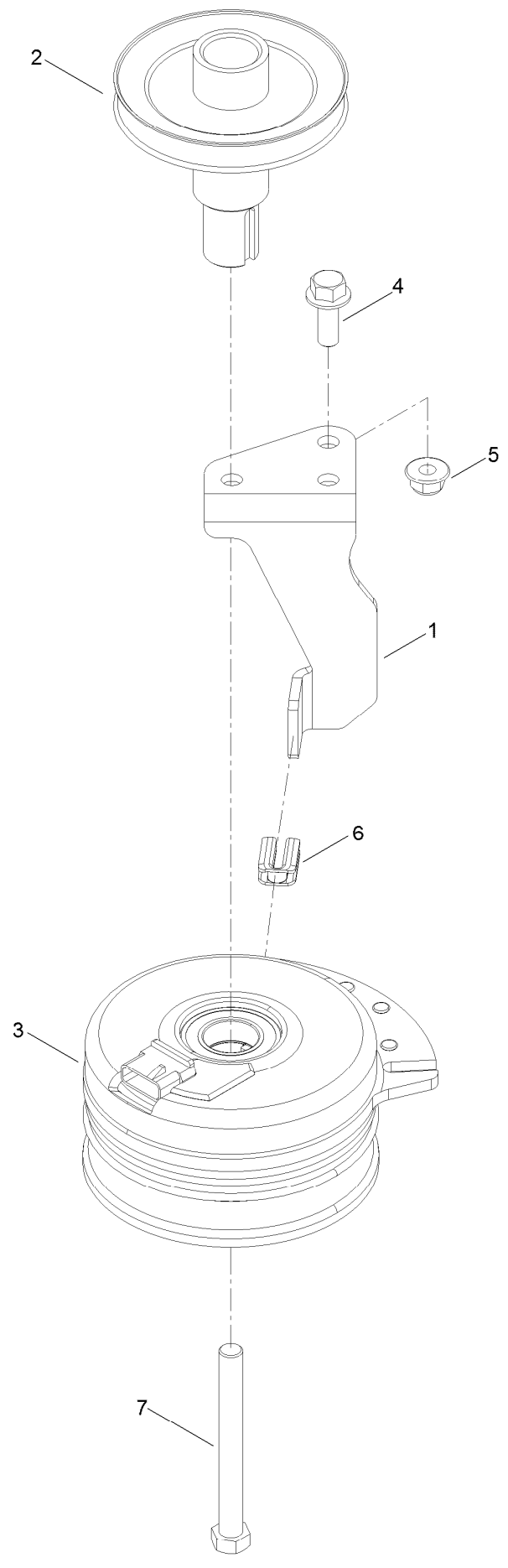
Decal Assembly



Decal Assembly (continued)

<i>Ref.</i>	<i>Part Number</i>	<i>Qty.</i>	<i>Description</i>
3	130-0682	1	Decal-Displacement, Engine
5	125-1700	1	Decal-Engine
10	140-2099	1	Decal

Clutch Assembly



Clutch Assembly (continued)

<i>Ref.</i>	<i>Part Number</i>	<i>Qty.</i>	<i>Description</i>	<i>Ref.</i>	<i>Part Number</i>	<i>Qty.</i>	<i>Description</i>
1	138-7275	1	Stop-Clutch (Narrow)	5	104-8301	1	Nut-HF, NI
2	138-9792	1	Pulley-Engine	6	120-2217	1	Isolator-Clutch
3	117-7468	1	Clutch-Electric	7	3212-16	1	Screw-HH
4	3234-42	1	Screw-HHF				

Attachments and Accessories

For 75740 TimeCutter 4200 Riding Mower

Product Name	Model/Part
Hourmeter Kit	116-5461
Seat Cover W/O Arm Rest - TC 18in.....	117-0096
Jack Kit.....	127-6666
Fuel Stabilizer .05 oz	130-2393
4-Cycle Fuel, Snow And Lawn 32oz Can	131-3823
Toro Premium Fuel Treatment 12 Oz Bottle	131-6572
Replacement Blade Kit	137-1999-03P
42in Recycler Kit.....	137-7042
Bagging Enhancement Kit	137-7048
Maintenance Kit.....	139-0650
Front Weight Kit.....	140-2050
Assist Bar Kit	140-2052
LED Light Kit.....	140-2056
Deluxe Seat Kit.....	140-2057
Armrest Kit.....	140-2058
Deck Footlift Assist Kit	140-2059
Floormat Kit	140-2060
Jack Mount Kit	140-2711
Striping Kit, 42in and Riding Mowers	140-5198
10w30 4-Cycle Engine Oil (32oz Bottle).....	38280
Toro 4-Cycle SAE 30 Oil (32oz Bottle)	38903
Storage Cover	490-7516
Mower Deck Drive Belt, TimeCutter SS Riding Mower with 42-inch Mowing Deck.....	79004
Twin Bagger, Timecutter 42in Stamped	79410
ROPS Kit	79485
Slope Sensor Kit.....	79486

Notes:



Count on it.