



Count on it.

Parts Catalog

**Three-Wheel Drive Kit without
ROPS**

**Greensmaster® 3150 2-Wheel Drive Traction
Unit**

Model No. 04476



Ordering Replacement Parts

To order replacement parts, please supply the part number, the quantity, and the description of each part desired.

Understanding Reference Numbers

Each identified part in an illustration has a reference number. The reference number for a part also appears in the parts list, along with other information about the part.

This catalog uses two special reference number formats, one to indicate parts in a service assembly and another to indicate the quantity of a given part in an illustration.

Service Assembly Reference Numbers

Parts in service assemblies have reference numbers in the form a:b. The a represents the reference number of the entire service assembly and the b represents a sequential number unique to each part within the service assembly.

For example, a wheel assembly might be identified by reference number 6, the tire by 6:1, the valve by 6:2, and the wheel by 6:3. When you order the assembly identified by reference number 6, you receive all parts identified by reference numbers 6:1, 6:2, and 6:3. However, you may also order any part individually. Reference numbers of this type appear in illustration and in parts lists.

Reference Numbers Indicating Quantity

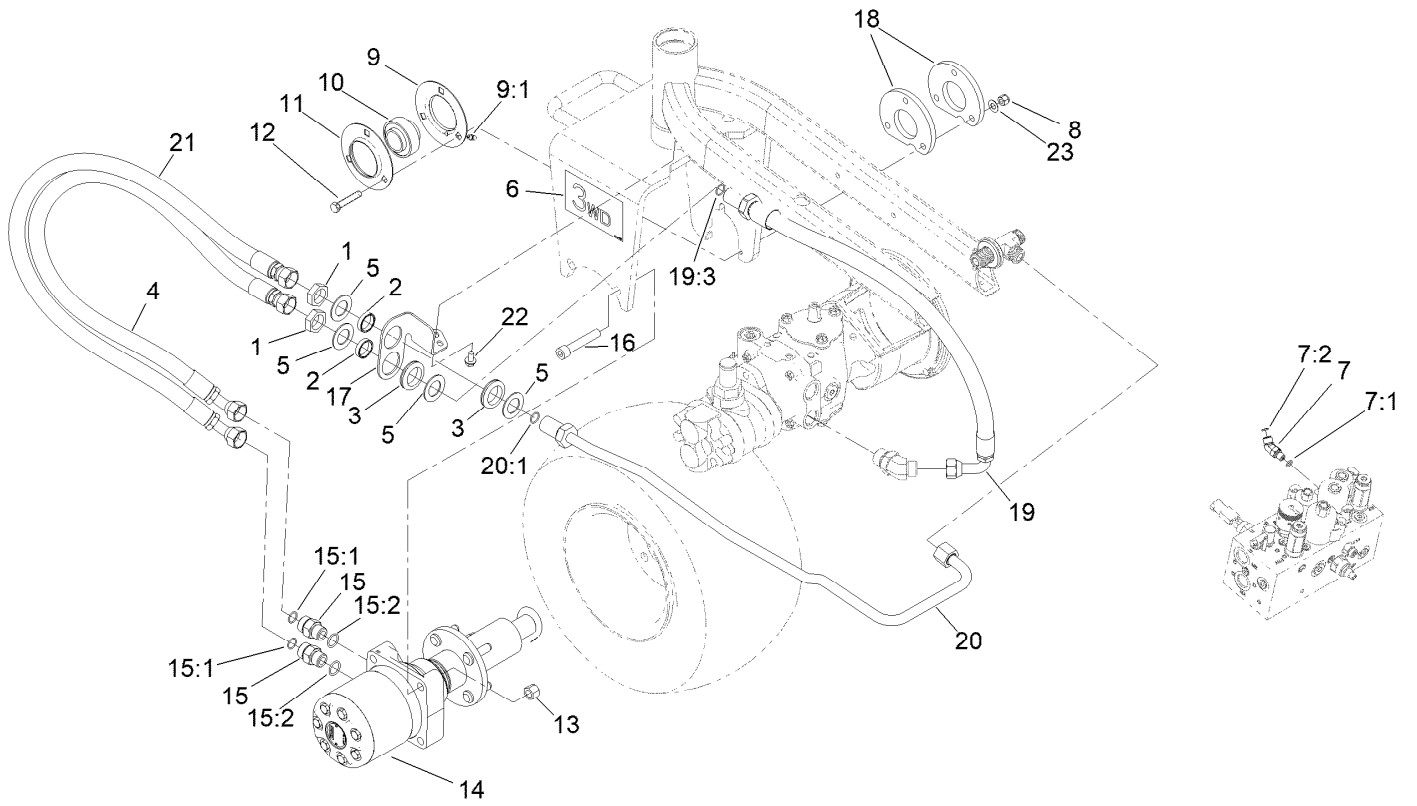
In an illustration, if a reference number indicates more than one part, the reference number has the form nX y. The n represents the quantity of the part, the X is the multiplication symbol, and the y represents the reference number.

For example, in an illustration, the reference number 2X 37 means that two of the parts identified by reference number 37 are indicated.

Contents

Wheel Motor Assembly 4
Motor and Hub Assembly 6
Hydraulic Motor Assembly No. 112-0226 8

Wheel Motor Assembly

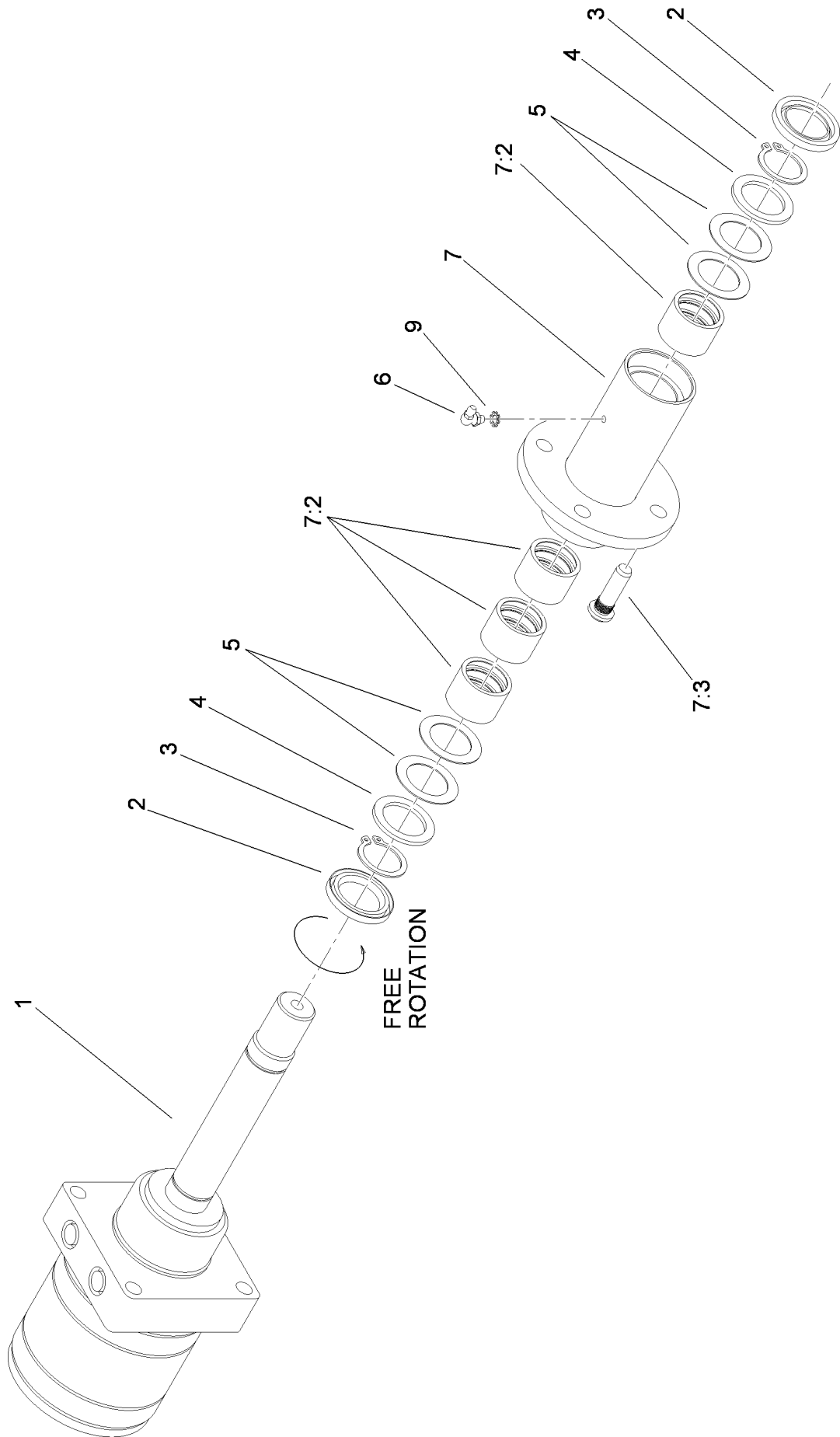


Wheel Motor Assembly (continued)

<i>Ref.</i>	<i>Part Number</i>	<i>Qty.</i>	<i>Description</i>	<i>Ref.</i>	<i>Part Number</i>	<i>Qty.</i>	<i>Description</i>
1	340-74	2	Nut-Lock, Bulkhead	13	3296-23	2	Nut-Lock, NI
2	125-1984	2	Spacer	14		1	Motor And Hub ASM ●
3	240-3	2	Grommet-Rubber	15	340-7	2	Fitting-Straight
4	119-3557	1	HYD Hose ASM	15:1	237-65	1	O-Ring
5	69-9010	4	Washer	15:2	237-80	1	O-Ring
6	92-9752	2	Decal	16	3274-93	2	Screw-HSH
7	340-103	1	Fitting-HYD, 45 DEG	17	105-8325-01	1	Bracket-Bulkhead, 3Wd
7:1	237-78	1	O-Ring	18	112-0219-01	2	Spacer-Mount, 3Wd
7:2	237-21	1	O-Ring	19	127-2226	1	Hose ASM
8	112-0236	3	Nut-Lock	19:3	237-65	1	O-Ring
9	85-8940	1	Flangette-Relube	20	105-8319	1	Tube-HYD
9:1	302-5	1	Fitting-Grease	20:1	237-65	1	O-Ring
10	251-352	1	Bearing	21	119-3558	1	HYD Hose ASM
11	85-8950	1	Flangette-Standard	22	32144-14	2	Screw-HWHTF
12	323-32	3	Screw-HH	23	108-1438	3	Washer-Hardened

● Not serviced separately

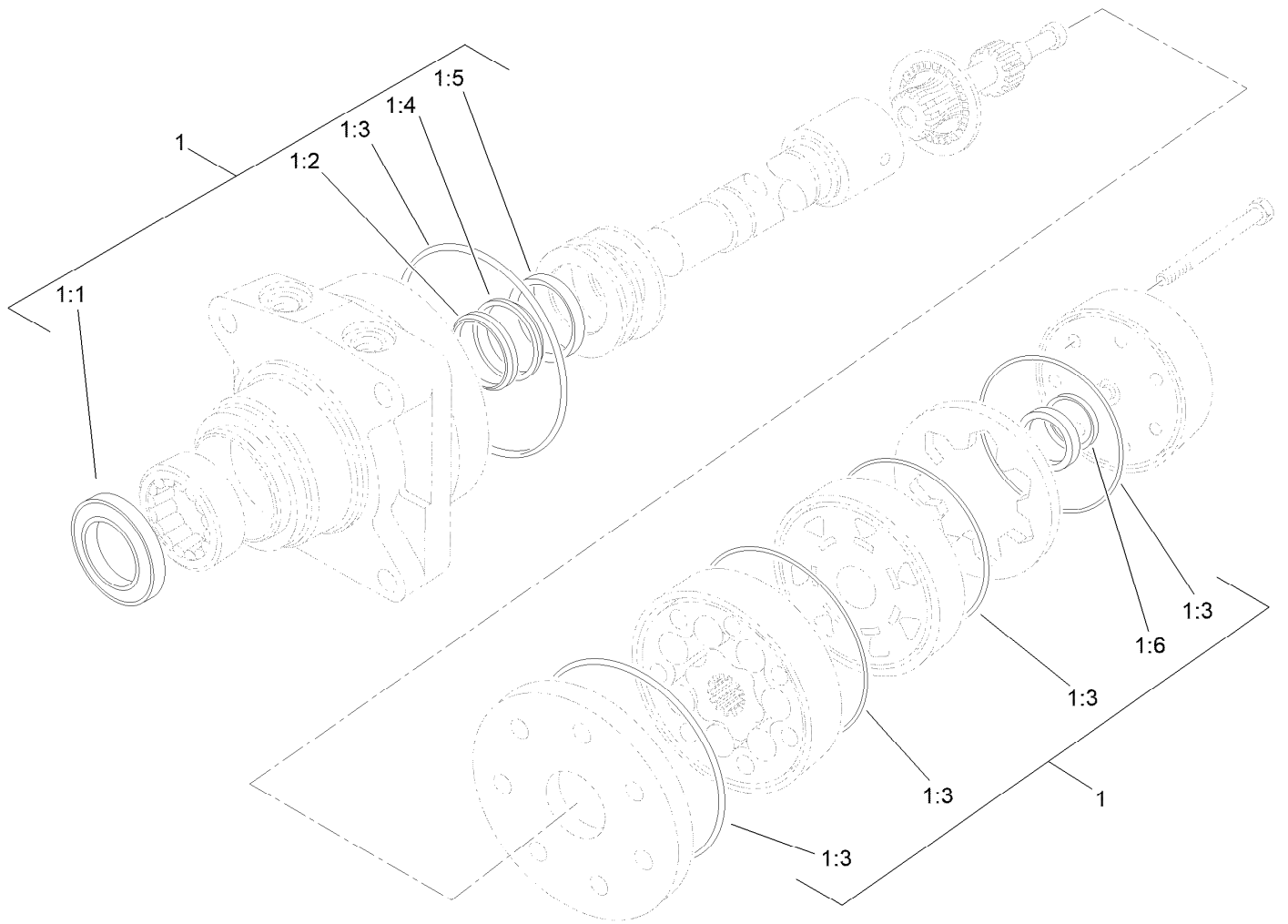
Motor and Hub Assembly



Motor and Hub Assembly (continued)

<i>Ref.</i>	<i>Part Number</i>	<i>Qty.</i>	<i>Description</i>	<i>Ref.</i>	<i>Part Number</i>	<i>Qty.</i>	<i>Description</i>
1	112-0226	1	Motor-Hydraulic	6	302-40	1	Fitting-Grease, 90 DEG
2	92-9165	2	Seal	7	104-2075	1	3 Wheel Drive Hub ASM
3	32151-10	2	Ring-Retaining	7:2	92-9167	4	Clutch-Roller
4	92-9159	2	Washer	7:3	10-6830	4	Stud-Type, Drive
5	92-9166	4	Washer-Thrust	9	3255-7	1	Washer-Lock/EXT

Hydraulic Motor Assembly No. 112-0226



Hydraulic Motor Assembly No. 112-0226 (continued)

<i>Ref.</i>	<i>Part Number</i>	<i>Qty.</i>	<i>Description</i>	<i>Ref.</i>	<i>Part Number</i>	<i>Qty.</i>	<i>Description</i>
1	76-0800	1	Seal Kit	1:4		1	Washer-Back Up ●
1:1		1	Seal-Dirt And Water ●	1:5		5	Seal-Square, Ring (Inner) ●
1:2		1	Backup-Ring ●	1:6		1	Seal-Commutator ●
1:3		1	Seal-Shaft ●				

● Not serviced separately

Notes:

Notes:



Count on it.