



Count on it.

Parts Catalog

**Pro Sneak 365
Vibratory Plow**

Model No. 25403—Serial No. 408000000 and Up



Ordering Replacement Parts

To order replacement parts, please supply the part number, the quantity, and the description of each part desired.

Understanding Reference Numbers

Each identified part in an illustration has a reference number. The reference number for a part also appears in the parts list, along with other information about the part.

This catalog uses two special reference number formats, one to indicate parts in a service assembly and another to indicate the quantity of a given part in an illustration.

Service Assembly Reference Numbers

Parts in service assemblies have reference numbers in the form a:b. The a represents the reference number of the entire service assembly and the b represents a sequential number unique to each part within the service assembly.

For example, a wheel assembly might be identified by reference number 6, the tire by 6:1, the valve by 6:2, and the wheel by 6:3. When you order the assembly identified by reference number 6, you receive all parts identified by reference numbers 6:1, 6:2, and 6:3. However, you may also order any part individually. Reference numbers of this type appear in illustration and in parts lists.

Reference Numbers Indicating Quantity

In an illustration, if a reference number indicates more than one part, the reference number has the form nX y. The n represents the quantity of the part, the X is the multiplication symbol, and the y represents the reference number.

For example, in an illustration, the reference number 2X 37 means that two of the parts identified by reference number 37 are indicated.

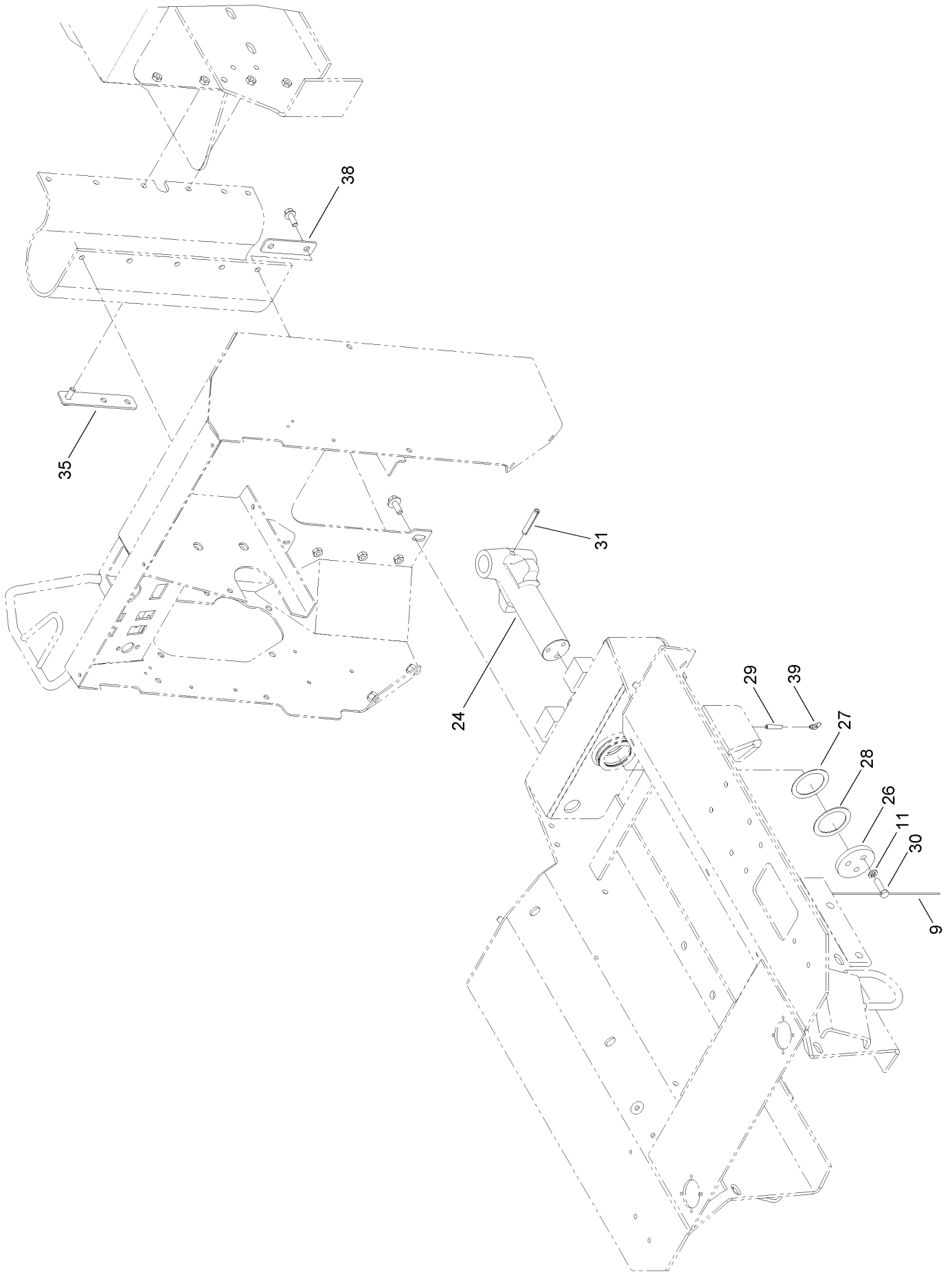
Contents

Pivot Assembly	6
Support and Floorboard Assembly	8
Front Frame and Panel Assembly	10
Console Assembly	12
Seat and Rear Frame Assembly	14
Drive Assembly	16
Drive Axle Assembly No. AU110858A1-03	18
Transmission Assembly No. AU104951	20
Drive Shaft Assembly No. AU111086A1	22
Ground Drive Control Assembly	24
Neutral Switch Mounting Assembly No. 130-7376	26
Ground Drive Spring Assembly	28
Seat Belt Assembly	30
Roll-Over Protection System Assembly	32
Brake Assembly	34
Shroud Assembly	36
Engine Assembly	38
Air Cleaner and Radiator Hose Assembly	40
Air Filter Assembly No. 127-6617	42
Electrical Assembly	44
Battery Assembly	46
Electrical Relay, Lamp and Switch Assembly	48
Fuel Tank Assembly	50
Fuel Pump and Oil Filter Assembly	52
Hydraulic Tank Assembly	54
Steering Assembly	56
Hydraulic Steering Valve Assembly No. AU407213A1	58
Hydraulic Cylinder Assembly No. AU125471	60
Pump Assembly	62
Hydraulic Gear Pump Assembly No. 127-6550	64
Hydraulic Variable Pump Assembly No. AU239918A1	66
Hydraulic Plumbing Assembly	68
Hydraulic Piston Motor Assembly No. AU239920A2	70
Hydraulic Plumbing Assembly No. 2	72
Control Valve Assembly No. 127-6591	74
23 Inch Wheel and Tire Assembly	76
Plow Pivot and Quick Attach Slide Assembly	78
Plow Frame and Plow Cylinder Assembly	80
Hydraulic Cylinder Assembly No. AU129434	82
Blade Mounting and Transmission Assembly	84
Gear Case Assembly No. AUH530204	86
Hydraulic Gear Motor Assembly No. AU109170A1	88
Cylinder Block Assembly	90
Gear Housing Assembly	92
Flywheel Housing and Oil Sump Assembly	94
Cylinder Head and Cover Assembly	96
Suction Manifold Assembly	98
Exhaust Manifold Assembly	100
Diesel Particulate Filter Assembly	102
Camshaft and Driving Gear Assembly	104
Crankshaft and Piston Assembly	106
Lubrication and Oil System Assembly	108
Cooling Water System Assembly	110
Fuel System Assembly	112

Contents (continued)

Fuel Injection Valve Assembly	114
Fuel Line Assembly	116
Starting Motor Assembly	118
Generator Assembly	120
Electronic Control Unit Assembly	122
Electric Parts Assembly	124
Gasket Set	126
Attachments and Accessories	128

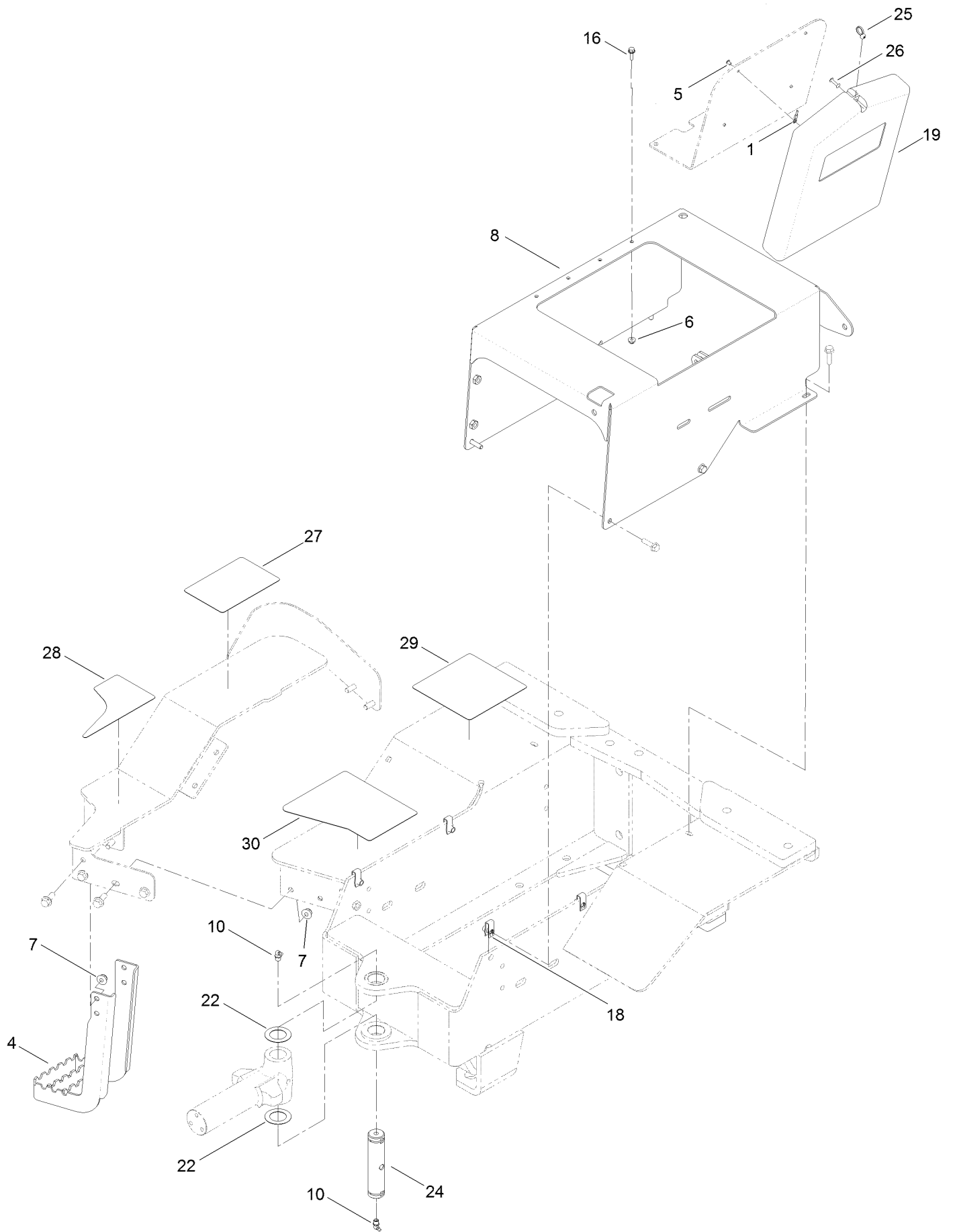
Pivot Assembly



Pivot Assembly (continued)

<i>Ref.</i>	<i>Part Number</i>	<i>Qty.</i>	<i>Description</i>	<i>Ref.</i>	<i>Part Number</i>	<i>Qty.</i>	<i>Description</i>
9	AU391-620	1	Wire-Steel	29	AU219-417	1	Fitting-Lube
11	3253-21	3	Washer-Lock	30	AUH95877	3	Screw-HH
24	AU127310A1-01	1	Pivot-Articulation	31	AU38-12436	1	Pin-Slotted, Spring
26	AUH182543	1	Cap	35	125-6648-03	1	Plate
27	AUH191148	2	Shim-Thin	38	127-1092-03	1	Plate
28	AUH191155	2	Shim	39	1481	1	Fitting-Grease

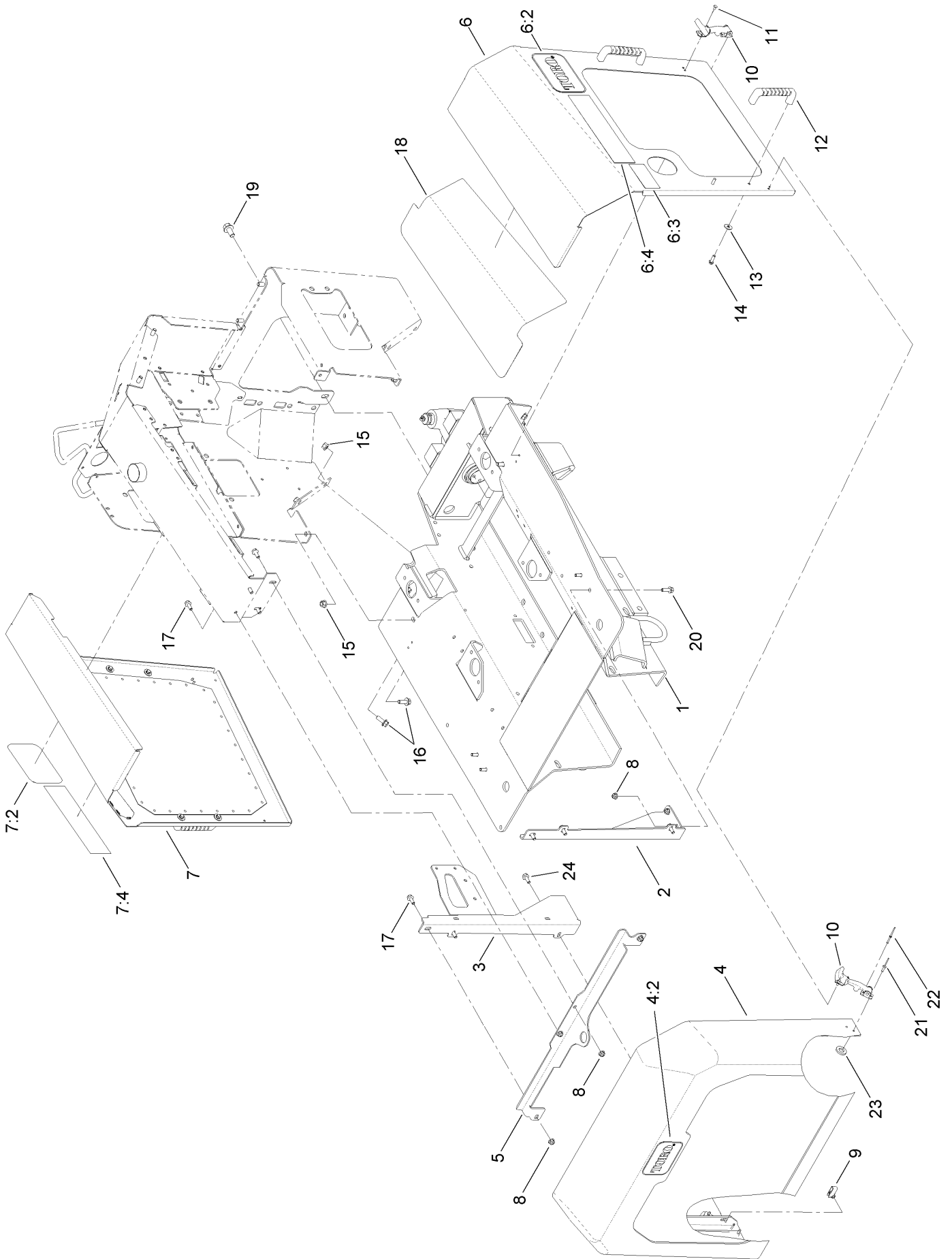
Support and Floorboard Assembly



Support and Floorboard Assembly (continued)

<i>Ref.</i>	<i>Part Number</i>	<i>Qty.</i>	<i>Description</i>	<i>Ref.</i>	<i>Part Number</i>	<i>Qty.</i>	<i>Description</i>
1	AUR46465	1	Lanyard	19	AU103216	1	Holder-Manual, Operator
4	125-6656-01	1	Step-Platform	22	AUH257915	2	Shim
5	1-803035	4	Rivet-Pop	24	AUH371054	1	Pin-Pivot
6	104-7201	4	Nut-HF, NI	25	AUR40745	1	Strap-Tie, Nylon
7	104-8301	8	Nut-HF, NI	26	AUR46463	1	Post-Manual
8	127-1098-01	1	Support-Seat	27	127-1078	1	Tread-Floorboard
10	302-33	2	Fitting-Grease	28	127-1077	1	Tread-Floorboard
16	115-5103	4	Screw-HHF	29	127-1080	1	Tread-Floorboard
18	AU100862	4	Nut-U	30	127-1079	1	Tread-Floorboard

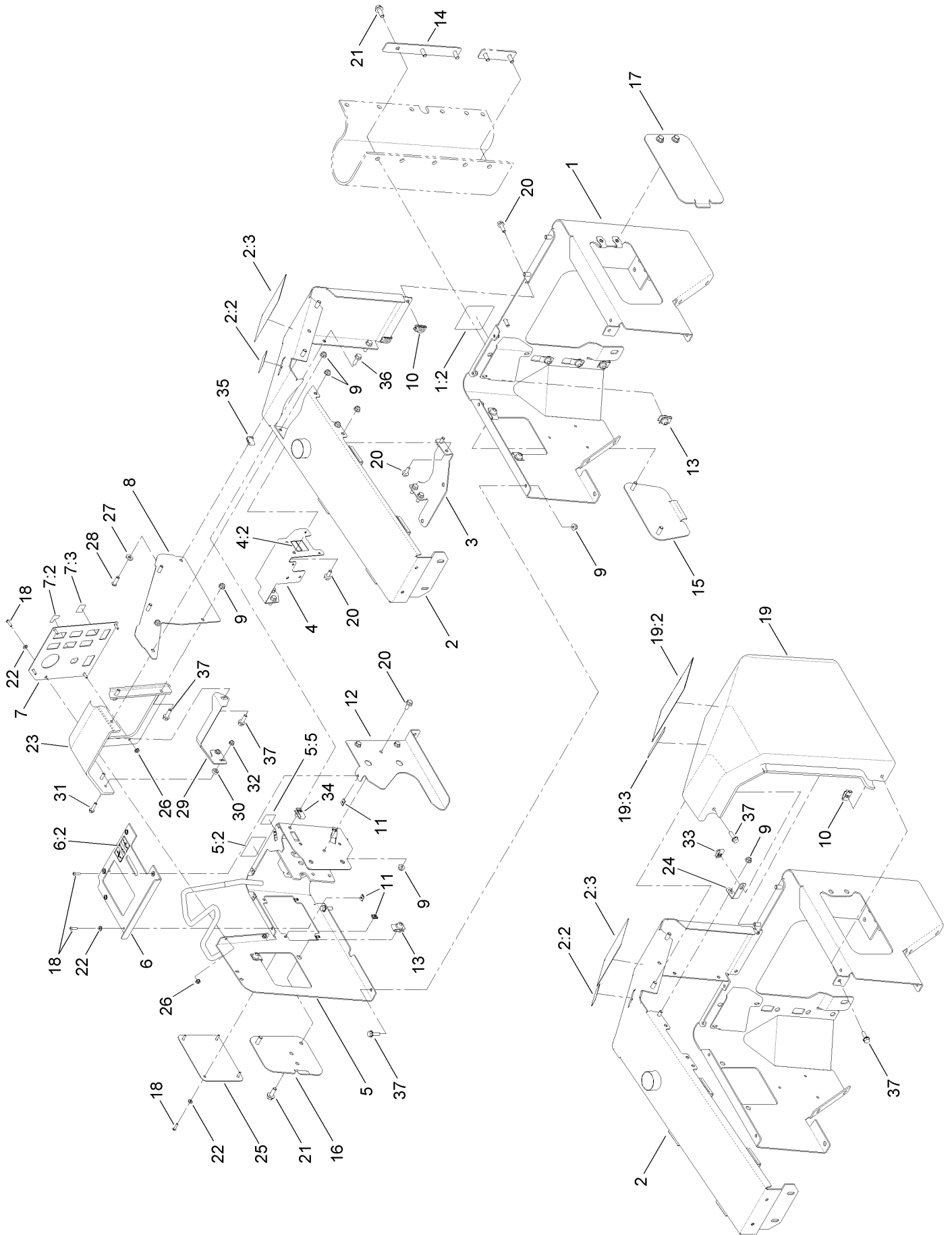
Front Frame and Panel Assembly



Front Frame and Panel Assembly (continued)

<i>Ref.</i>	<i>Part Number</i>	<i>Qty.</i>	<i>Description</i>	<i>Ref.</i>	<i>Part Number</i>	<i>Qty.</i>	<i>Description</i>
1	127-6569	1	Front Frame And Decal ASM	10	ST35289	4	Latch-Flex, Draw
2	127-6586-03	1	Bracket-Cooler, LH	11	3290-409	12	Rivet
3	127-6585-03	1	Bracket-Cooler, RH	12	65-5100	4	Handle-Door
4	130-4265	1	Front Cover ASM	13	87-6630	8	Washer-Plain
4:2	67-1300	1	Decal	14	46-8091	8	Screw-HWH
5	127-6582-03	1	Bracket-Cooling, Top	15	32128-36	6	Nut-HF
6	130-4275	1	LH Hood Panel ASM	16	3234-42	6	Screw-HHF
6:2	62-5550	1	Decal	17	3234-47	6	Screw-HHF
6:3	125-4963	1	Decal-Surface, Hot	18	130-7380	1	Tape-Heat Shield
6:4	130-4339	1	Decal-Pro Sneak 365	19	3234-6	2	Screw-HHF
7	130-4274	1	RH Hood Panel ASM	20	3234-29	4	Screw-HHF
7:2	62-5550	1	Decal	21	3269-4	2	Rivet-Pop
7:4	130-4339	1	Decal-Pro Sneak 365	22	99-7122	2	Rivet-Annodized
8	104-8300	10	Nut-HF, NI	23	120-9680	4	Washer-Flat
9	AU100862	4	Nut-U	24	33104-020	4	Screw-HHF

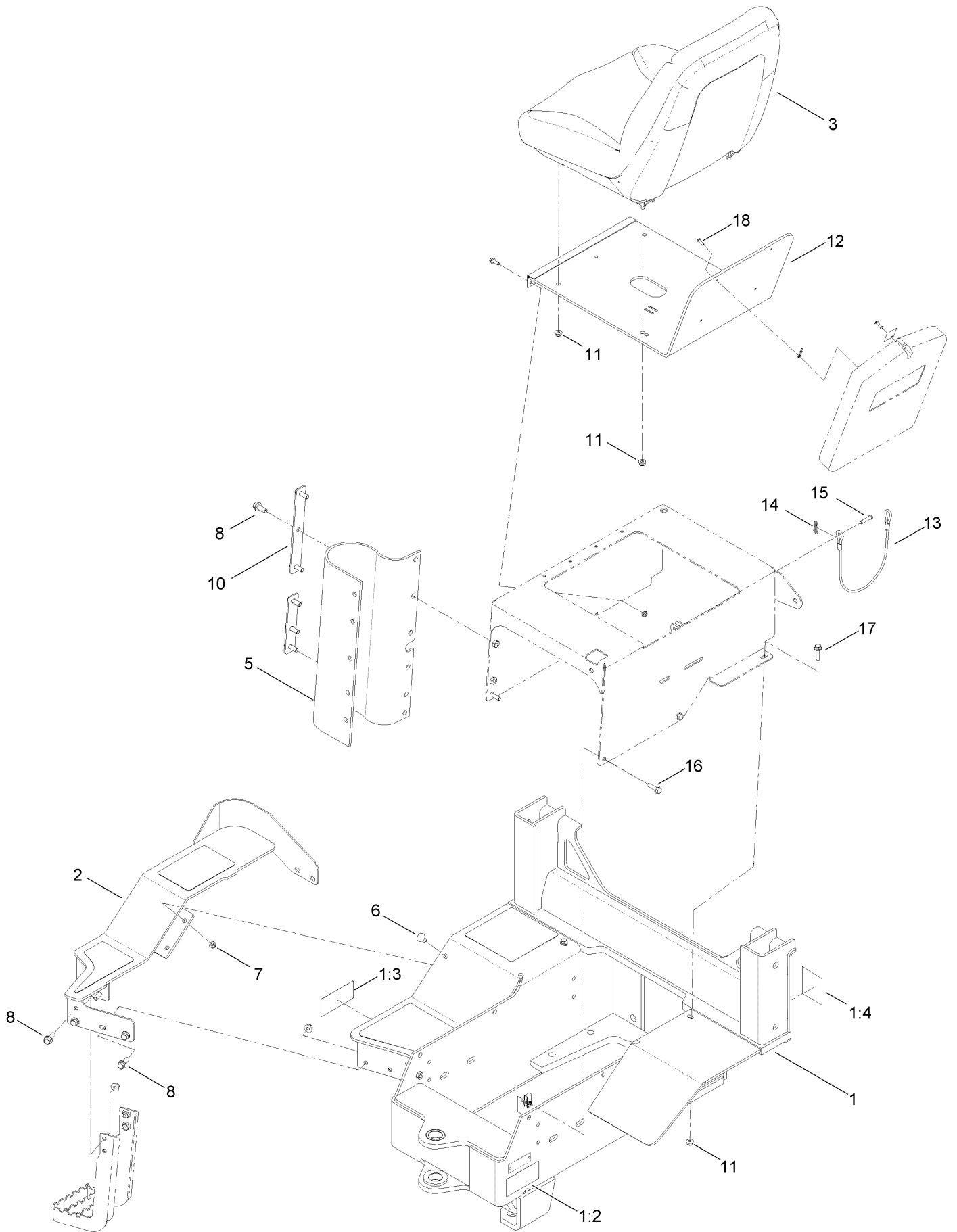
Console Assembly



Console Assembly (continued)

<i>Ref.</i>	<i>Part Number</i>	<i>Qty.</i>	<i>Description</i>	<i>Ref.</i>	<i>Part Number</i>	<i>Qty.</i>	<i>Description</i>
1	130-4262	1	Lower Console ASM	16	130-4295-01	1	Cover-Selector
1:2	125-8491	1	Decal-Warning, Shield	17	130-4293-01	1	Cover-Hydraborer
2	130-4276	1	Center Console ASM	18	104-2408	14	Screw-HSBH
2:2	130-4340	1	Decal-Throttle	19	130-4342	1	Cover ASM
2:3	127-1824	1	Decal-Start Up, Shut Down	19:2	130-4343	1	Decal-Safety
3	130-4261-03	1	Bracket-Air Cleaner	19:3	133-8062	1	Decal-Arrestor, Spark
4	130-4280	1	Relay Bracket ASM	20	3234-47	13	Screw-HHF
4:2	130-4291	1	Decal-Regen Inhibit	21	3234-42	11	Screw-HHF
5	130-4263	1	Upper Console ASM	22	3256-77	14	Washer-Flat
5:2	125-6674	1	Decal-Parking Brake	23	130-4259	1	Panel-Instrument, Plastic
5:5	125-6680	1	Decal-Ground Drive Control	24	130-7410	1	Bracket-Cover
6	130-4266	1	Top Control Plate ASM	25	130-7386-01	1	Cover-Trencher
6:2	130-7361	1	Decal-Attachment Lift	26	32128-17	5	Nut-Lock, Flange
7	130-4264	1	Instrument Panel ASM	27	105-5769	3	Washer
7:2	130-4341	1	Decal-Ack	28	109-4872	3	Screw-HSH
7:3	130-7360	1	Decal-Ignition	29	130-7408-03	1	Bracket-Support, Instrument
8	127-6647-01	1	Plate-Controls, Side	30	115-7073	2	Spacer
9	104-8300	18	Nut-HF, NI	31	120-4654	2	Screw-HHF
10	CSP11800	3	Nut-Thick, Tinnerman	32	104-7201	2	Nut-HF, NI
11	701493	9	Nut-Speed	33	94-2413	1	Nut-U
12	130-4284-03	1	Plate-Tank, HYD	34	AU100862	2	Nut-U
13	105-4886	11	Nut-Tinnerman	35	94-2413	3	Nut-U
14	130-4286-03	1	Plate	36	33104-025	2	Screw-HHF
15	130-4294-01	1	Cover-Trencher	37	3234-29	9	Screw-HHF

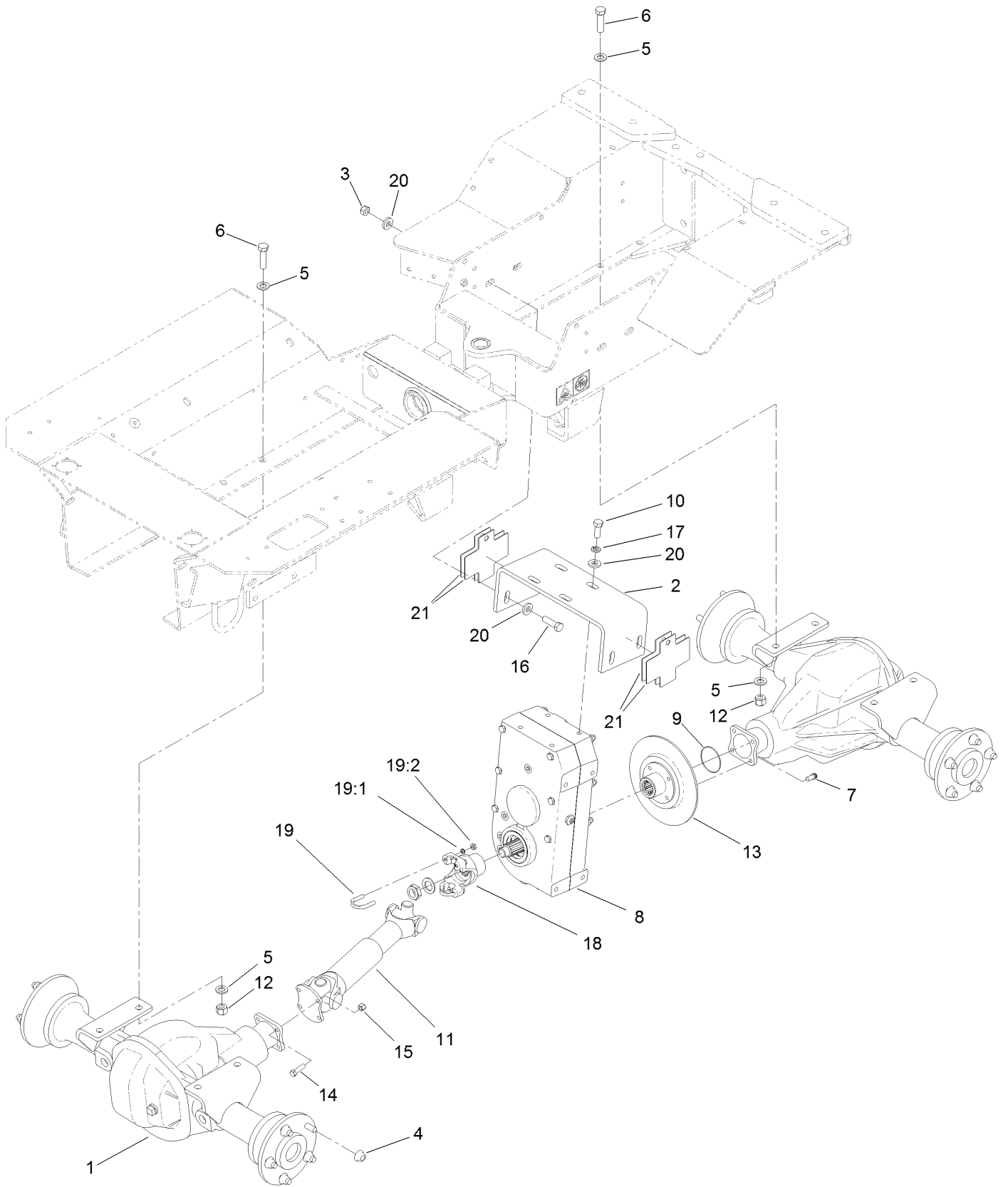
Seat and Rear Frame Assembly



Seat and Rear Frame Assembly (continued)

<i>Ref.</i>	<i>Part Number</i>	<i>Qty.</i>	<i>Description</i>	<i>Ref.</i>	<i>Part Number</i>	<i>Qty.</i>	<i>Description</i>
1	127-6649	1	Rear Frame ASM	8	3234-42	14	Screw-HHF
1:2	125-6672	1	Decal-Danger, Articulated Joint	10	125-6649-03	1	Plate
1:3	125-8487	1	Decal-Warning, Step Extension	11	104-8300	6	Nut-HF, NI
1:4	125-4967	2	Decal-Lift Here	12	131-2114-01	1	Plate-Seat
2	130-4281-01	1	Platform-Extension	13	98-4371	1	Cable-Seat
3	130-4292	1	Seat ASM	14	119-1415	2	Pin-Cotter, Locking
5	130-4285	1	Shield-Rubber	15	283-6	2	Pin-Clevis
6	3231-21	1	Screw-CARR	16	33104-030	4	Screw-HHF
7	3296-59	1	Nut-Lock, NI	17	3234-36	2	Screw-HHF
				18	3269-11	4	Rivet-Pop

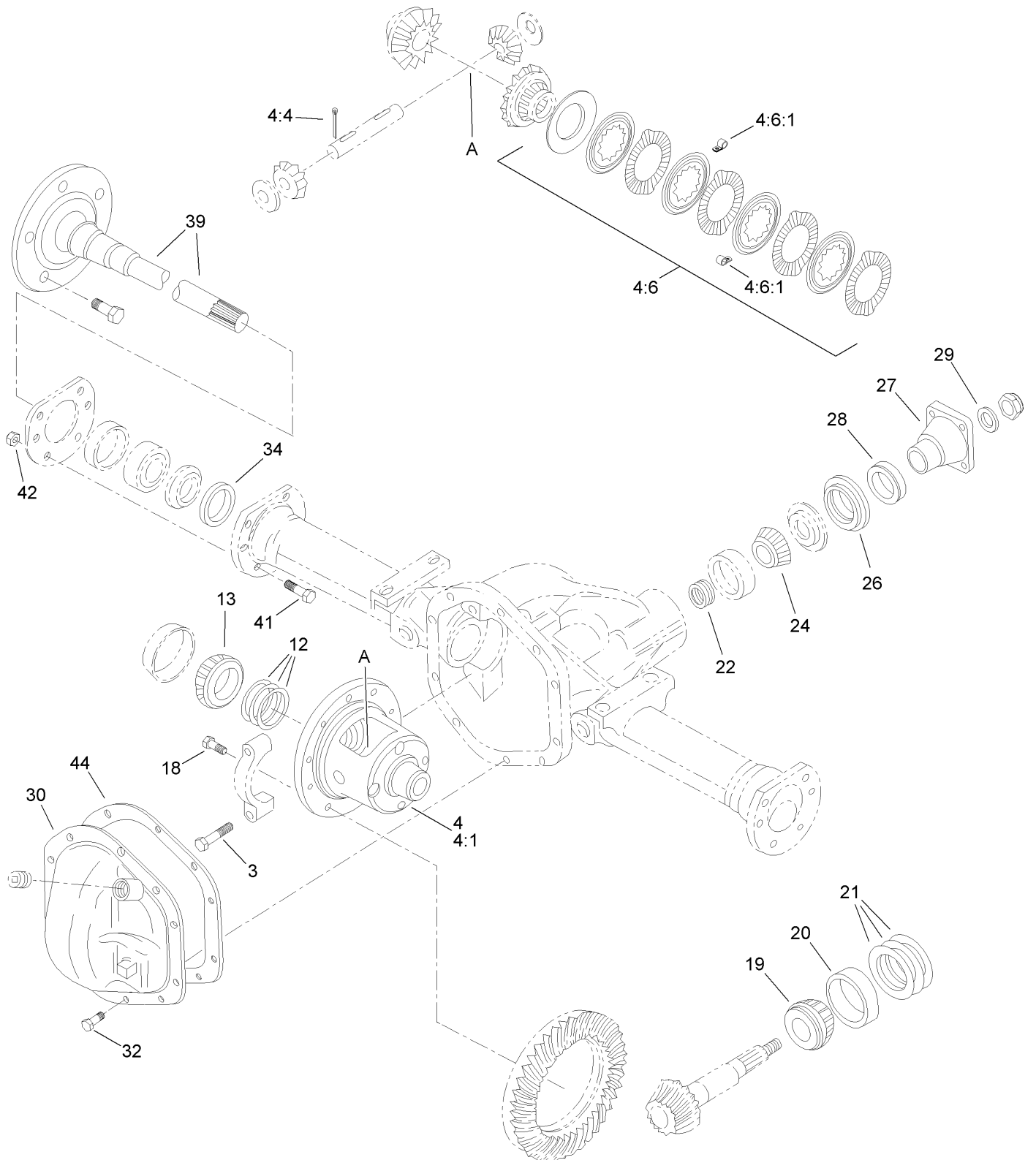
Drive Assembly



Drive Assembly (continued)

<i>Ref.</i>	<i>Part Number</i>	<i>Qty.</i>	<i>Description</i>	<i>Ref.</i>	<i>Part Number</i>	<i>Qty.</i>	<i>Description</i>
1	AU110858A1-03	2	Axle-Drive	13	AU87403381	1	Flange-Companion
2	127-1093-03	1	Bracket-Mounting	14	3211-5	4	Screw-HH
3	97-1206	4	Locknut	15	AU232-4616	4	Nut-Hex Lock
4	131-0703	20	Nut-HHF	16	325-7	4	Screw-HH
5	AU896-11014	16	Washer-Flat	17	3253-7	4	Washer-Lock
6	AU426-932	8	Bolt	18	136-0234	1	Yoke-Transmission
7	AU79-1612	4	Screw-12 Pt Flange	19	AUH183566	1	Bolt-U (2 Per Pack)
8	AU104951	1	Transmission ASM	19:1	3219-2	2	Nut-Hex
9	AU238-5036	1	O-Ring, SAE	19:2	3253-4	2	Washer-Lock
10	325-5	4	Screw-HH	20	107-3395	12	Washer-Hardened
11	AU111086A1	1	Drive Shaft ASM	21	127-1094-03	7	Shim-Bracket
12	AU232-4119	8	Nut-Hex				

Drive Axle Assembly No. AU110858A1-03

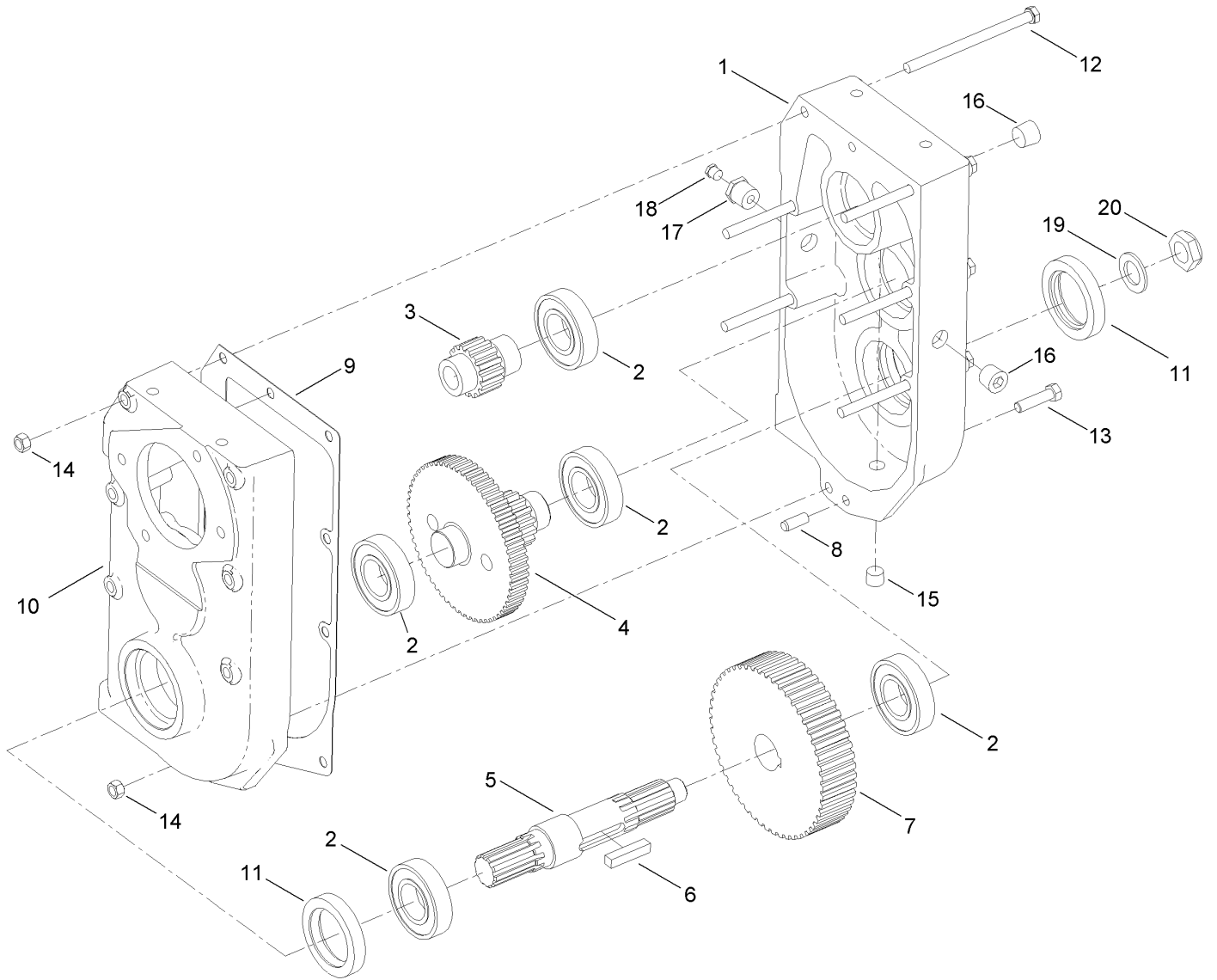


Drive Axle Assembly No. AU110858A1-03 (continued)

<i>Ref.</i>	<i>Part Number</i>	<i>Qty.</i>	<i>Description</i>	<i>Ref.</i>	<i>Part Number</i>	<i>Qty.</i>	<i>Description</i>
3	AU413-836	4	Bolt	21	AUH198176	1	Shim
4	AU100862A1	1	Case ASM	22	AUH198044	1	Shim
4:1	AU100863A1	1	Case	22	AUH198010	1	Shim
4:4	AU38-11624	1	Pin-Spring, Slotted	22	AUH198036	1	Shim
4:5	AUH226746	2	Washer ●	22	AUH198028	1	Shim
4:6	AUH572370	1	Differential Disc Kit (Matched Set)	24	AU128239R91	1	Bearing-Taper
4:6:1	AUH226753	4	Clip	26	AUN8427	1	Seal
12	AUH198283	1	Shim	27	AUH197582	1	End-Yoke
12	AUH198275	1	Shim	28	AUH196998	1	Slinger
12	AUH198267	1	Shim	29	AUH197574	1	Washer
12	AUH198259	1	Shim	30	AUN8428	1	Cover
13	AU300426R91	2	Bearing-Taper	32	AUH226555	10	Bolt
18	AU117383A1	10	Bolt	34	AUH198093	2	Seal
19	AU128241R91	1	Bearing-Taper	39	AU252266A1	2	Shaft
20	AU128242R1	1	Cup-Bearing	41	AUH263103	8	Bolt
21	AUH198150	1	Shim	42	AU232-4616	8	Nut-Hex Lock
21	AUH198168	1	Shim	43	AUH384453	1	Baffle-Oil ●
				44	AUM20704	1	Maker-Gasket

● Not illustrated

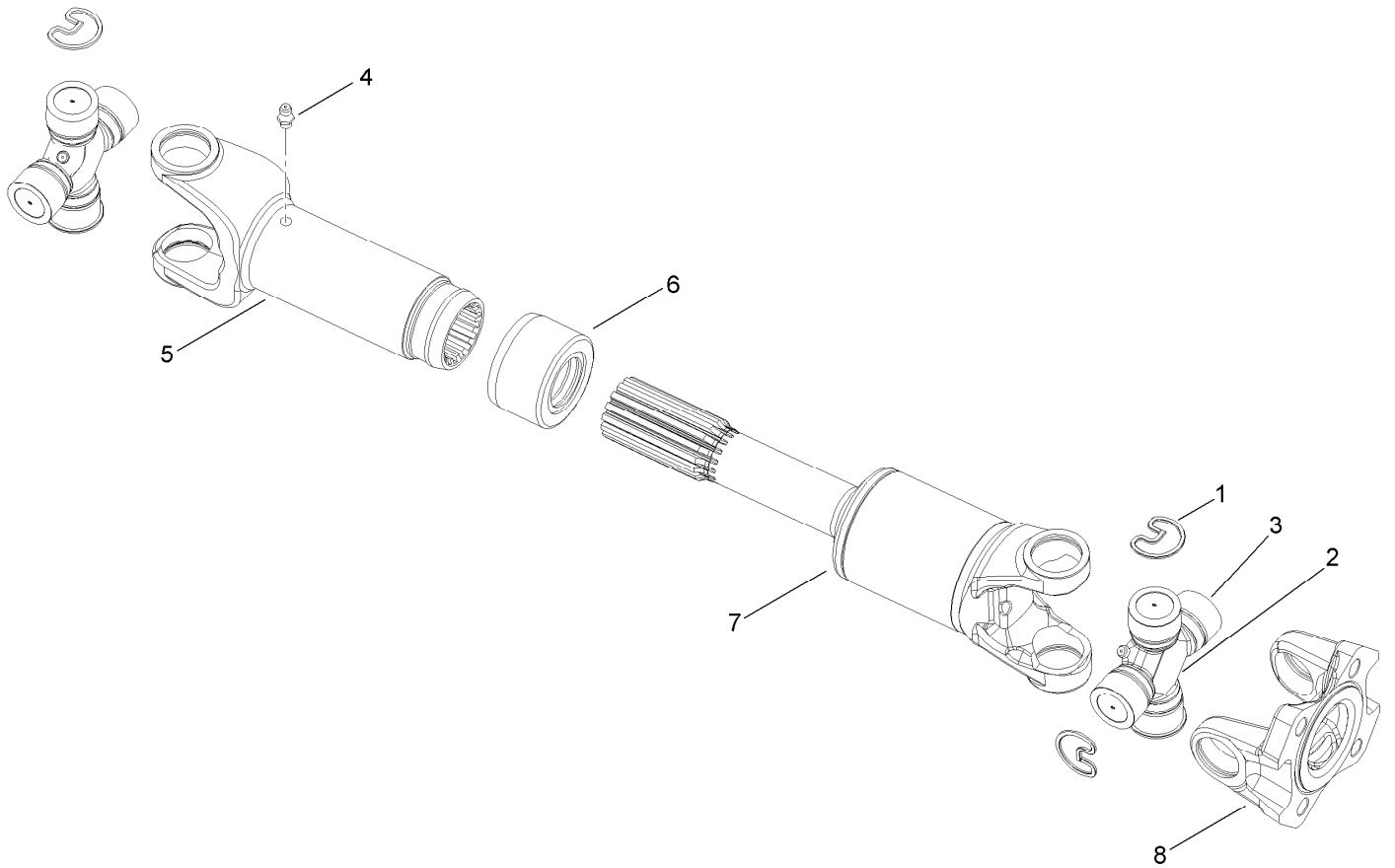
Transmission Assembly No. AU104951



Transmission Assembly No. AU104951 (continued)

<i>Ref.</i>	<i>Part Number</i>	<i>Qty.</i>	<i>Description</i>	<i>Ref.</i>	<i>Part Number</i>	<i>Qty.</i>	<i>Description</i>
1	AU104545	1	Case-Gear	11	AUH754226	2	Seal-Oil
2	AUA26581	5	Bearing	12	AU426-688	6	Screw-HH
3	AUH253112	1	Gear-Motor, 18 Teeth	13	323-43	1	Screw-HH
4	AUH253153	1	Gear-Cluster, 59/15 Teeth	14	603773	7	Locknut
5	AUH253138	1	Shaft-Output	15	97-2206	1	Fitting-HYD
6	AUH70045	1	Key-Square	16	AU217-439	5	Plug-Pipe, Hex Socket
7	AUH253146	1	Gear-Reduction, 51 Teeth	17	AU221-87	1	Fitting-Straight
8	AUH755272	2	Pin-Dowel	18	AUR11152	1	Vent
9	AUH413153	1	Gasket	19	AUH224501	1	Washer
10	AU104546	1	Case-Gear	20	3296-60	1	Nut-Lock, NI

Drive Shaft Assembly No. AU111086A1

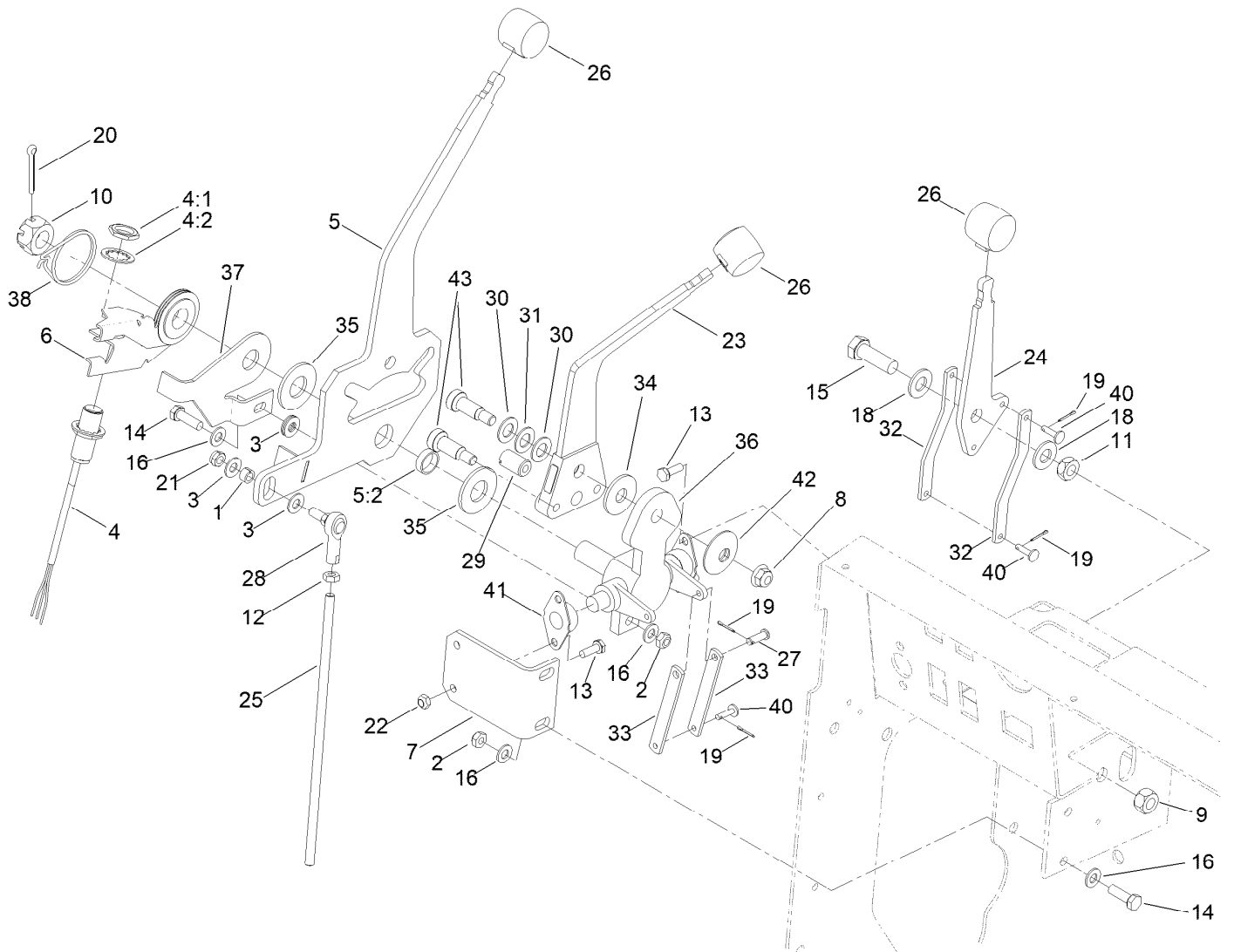


Drive Shaft Assembly No. AU111086A1 (continued)

<i>Ref.</i>	<i>Part Number</i>	<i>Qty.</i>	<i>Description</i>	<i>Ref.</i>	<i>Part Number</i>	<i>Qty.</i>	<i>Description</i>
1	AU11256	6	Ring-Retaining	5	AU102834A1	1	Yoke
2		2	Journal ●	6	AU230556A1	1	Seal
3		8	Cup-Bearing ●	7		1	Shaft ●
4	AU219-10	1	Fitting-Lube	8	AUH251777	1	Flange

● Not serviced separately

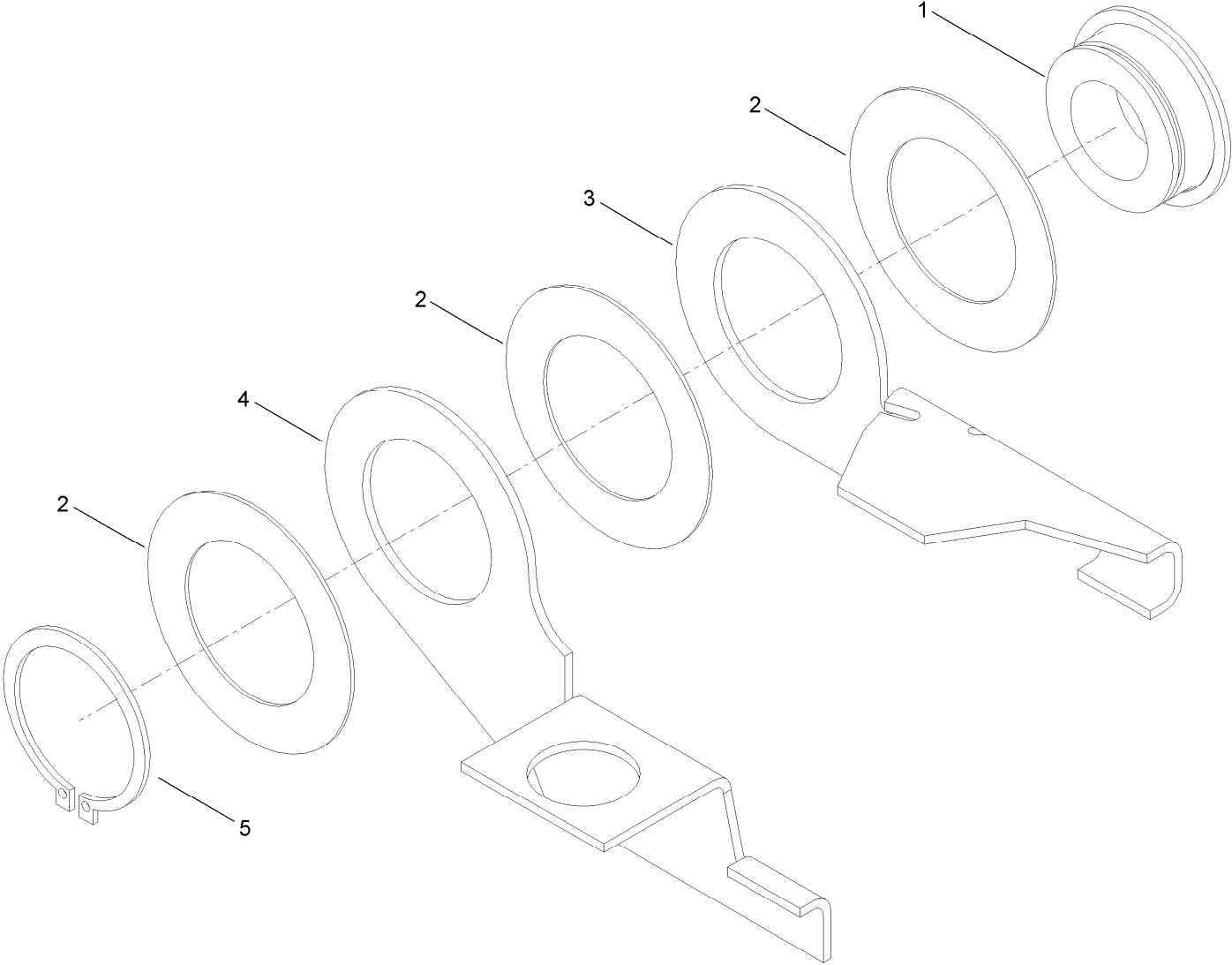
Ground Drive Control Assembly



Ground Drive Control Assembly (continued)

<i>Ref.</i>	<i>Part Number</i>	<i>Qty.</i>	<i>Description</i>	<i>Ref.</i>	<i>Part Number</i>	<i>Qty.</i>	<i>Description</i>
1	1-603500	1	Spacer	21	3296-20	1	Nut-Lock, NI
2	97-1203	3	Nut-Hex	22	146375	4	Nut-Lock, Cone
3	107-0279	5	Washer	23	AU105258-03	1	Handle-Creep
4	115-5300	1	Proximity Switch ASM	24	AU105259-03	1	Handle-Plow
4:1	117-3207	2	Nut-Hex	25	131-2134	1	Rod Control
4:2	117-3208	2	Washer-Lock, Internal Tooth	26	AUA177435	3	Knob
5	125-6643	1	Handle ASM	27	9321204	1	Pin-Clevis
5:2	AUH433184	1	Bearing-Handle	28	AUH289652	1	Joint-Ball (Female)
6	130-7376	1	Mounting ASM	29	AUH404731	1	Ball-Plunger
7	125-8539-03	1	Angle-Mounting	30	AUH405035	2	Race-Thrust
8	32128-19	1	Nut-HF Lock, Large Flg	31	AUH405043	1	Bearing-Thrust (Needle)
9	AU230-4218	1	Nut-Hex	32	AUH423046-03	2	Link-Valve, Control
10	AU425-1212	1	Nut-Slotted, Hex	33	AUH423053-03	2	Link-Valve, Steering
11	AU425-148	1	Nut-Jam	34	AUH429894	1	Washer-Friction
12	3220-2	1	Nut-Jam	35	AUH433170	2	Washer-Spacer
13	AU426-412	4	Bolt	36	AUH435855	1	Pivot-Control, Steering
14	AU426-516	3	Screw-HH	37	AUH436230-03	1	Plate-Centering
15	AU426-824	1	Screw-HH	38	AUH436231	1	Spring-Centering
16	3256-23	6	Washer-Plain	40	AUH44529	3	Pin-Clevis
18	3256-26	2	Washer-Flat	41	AUH755785	2	Bearing
19	3272-1	4	Pin-Cotter	42	AUR14771	1	Washer-Belleville
20	3272-23	1	Pin-Cotter	43	1-603403	3	Bolt-Shoulder

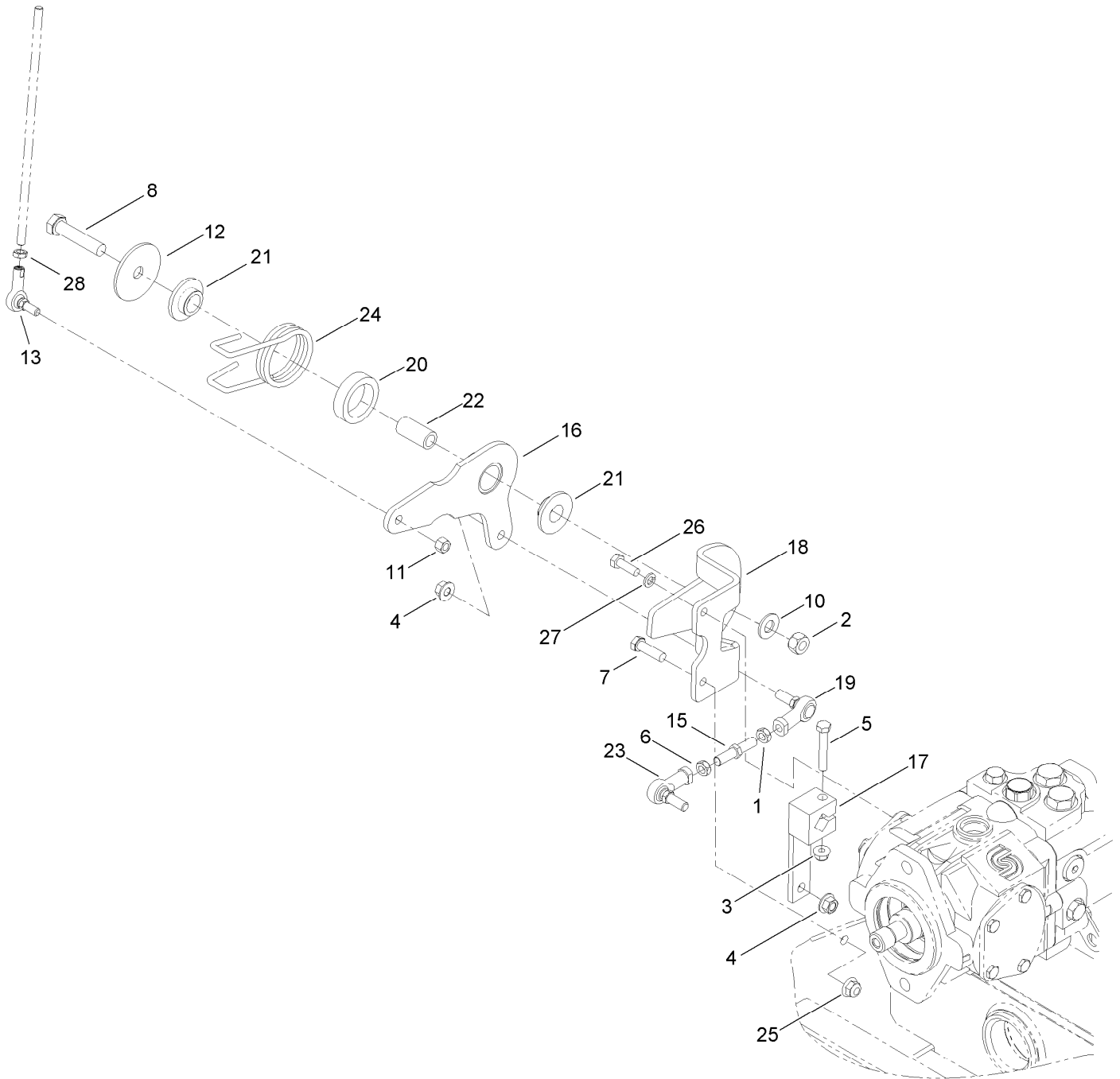
Neutral Switch Mounting Assembly No. 130-7376



Neutral Switch Mounting Assembly No. 130-7376 (continued)

<i>Ref.</i>	<i>Part Number</i>	<i>Qty.</i>	<i>Description</i>	<i>Ref.</i>	<i>Part Number</i>	<i>Qty.</i>	<i>Description</i>
1	AU131050A1	1	Hub	4	125-6645	1	Plate-Mounting, Switch
2	AUH257915	3	Shim	5	AU103-11125	1	Ring-Retaining
3	125-6644	1	Plate-Mounting, Switch				

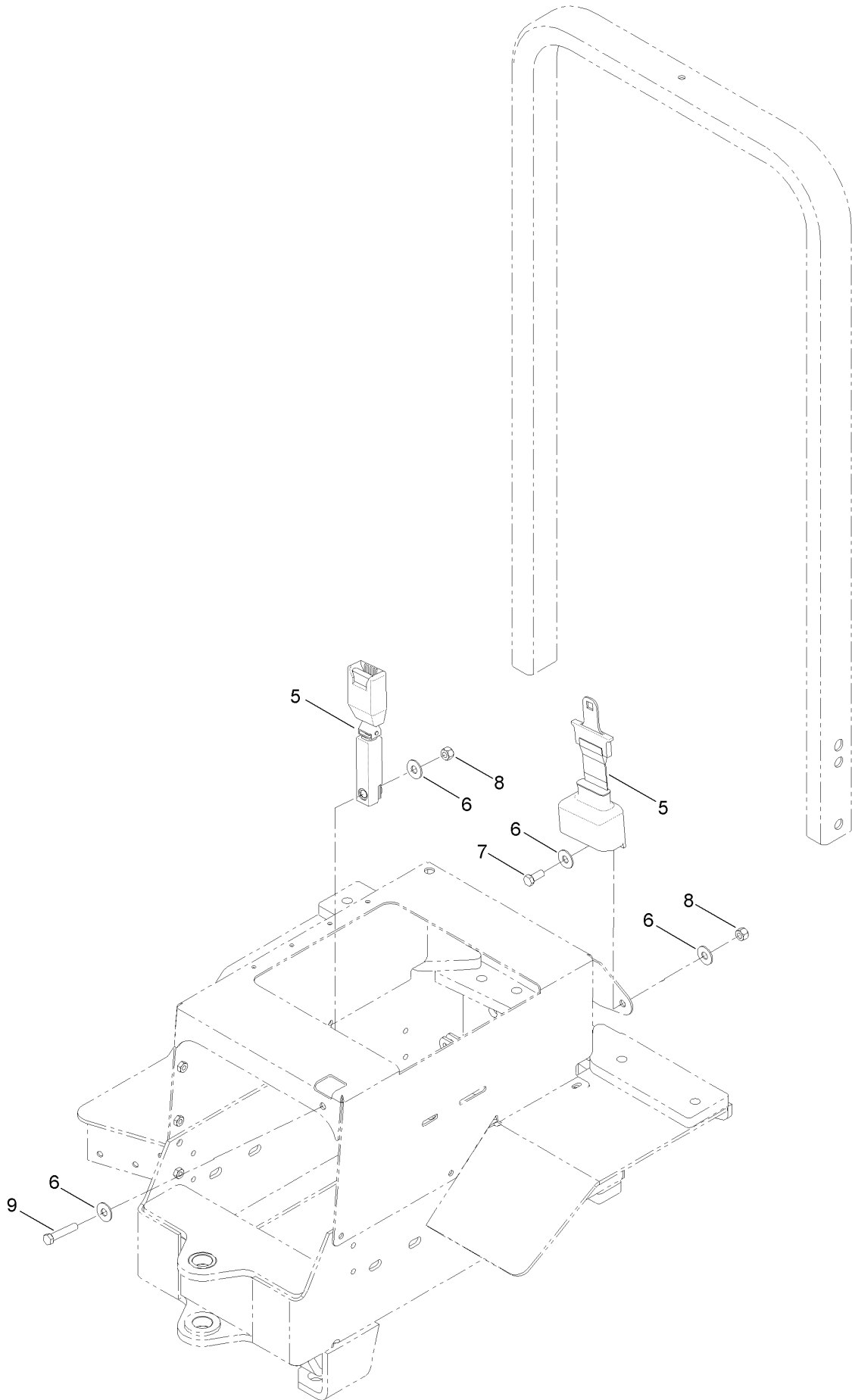
Ground Drive Spring Assembly



Ground Drive Spring Assembly (continued)

<i>Ref.</i>	<i>Part Number</i>	<i>Qty.</i>	<i>Description</i>	<i>Ref.</i>	<i>Part Number</i>	<i>Qty.</i>	<i>Description</i>
1	AU129-289	1	Nut-Jam, LH	16	131-2132-03	1	Plate-Linkage
2	AU230-4218	1	Nut-Hex	17	131-2119-03	1	Lever-Control, Pump
3	104-8300	1	Nut-HF, NI	18	131-2130-03	1	Plate-Pump
4	127-6852	2	Nut-Flange, Lock	19	AU139830A1	1	Joint-Ball, Stud (Rod End)
5	322-10	1	Screw-HH	20	AU175086A1	1	Spacer-Collar
6	AU425-156	1	Nut-Jam, Hex	21	AUD128616	2	Bushing-Insert, Plastic
7	AU426-620	2	Bolt	22	AUH435694	1	Spacer
8	AU426-840	1	Screw-HH	23	AUR47940	1	Joint-Ball
10	3256-26	1	Washer-Flat	24	AUH436303	1	Spring
11	32152-5	1	Nut-Hex	25	104-8301	2	Nut-HF, NI
12	AU131967A1	1	Washer-Flat (Special)	26	AU100873	2	Screw-HH
13	AU103404	1	Joint-Ball, LH (Female)	27	3253-4	2	Washer-Lock
15	AU107344	1	Screw-Jack, Control	28	3220-20	1	Nut-Jam

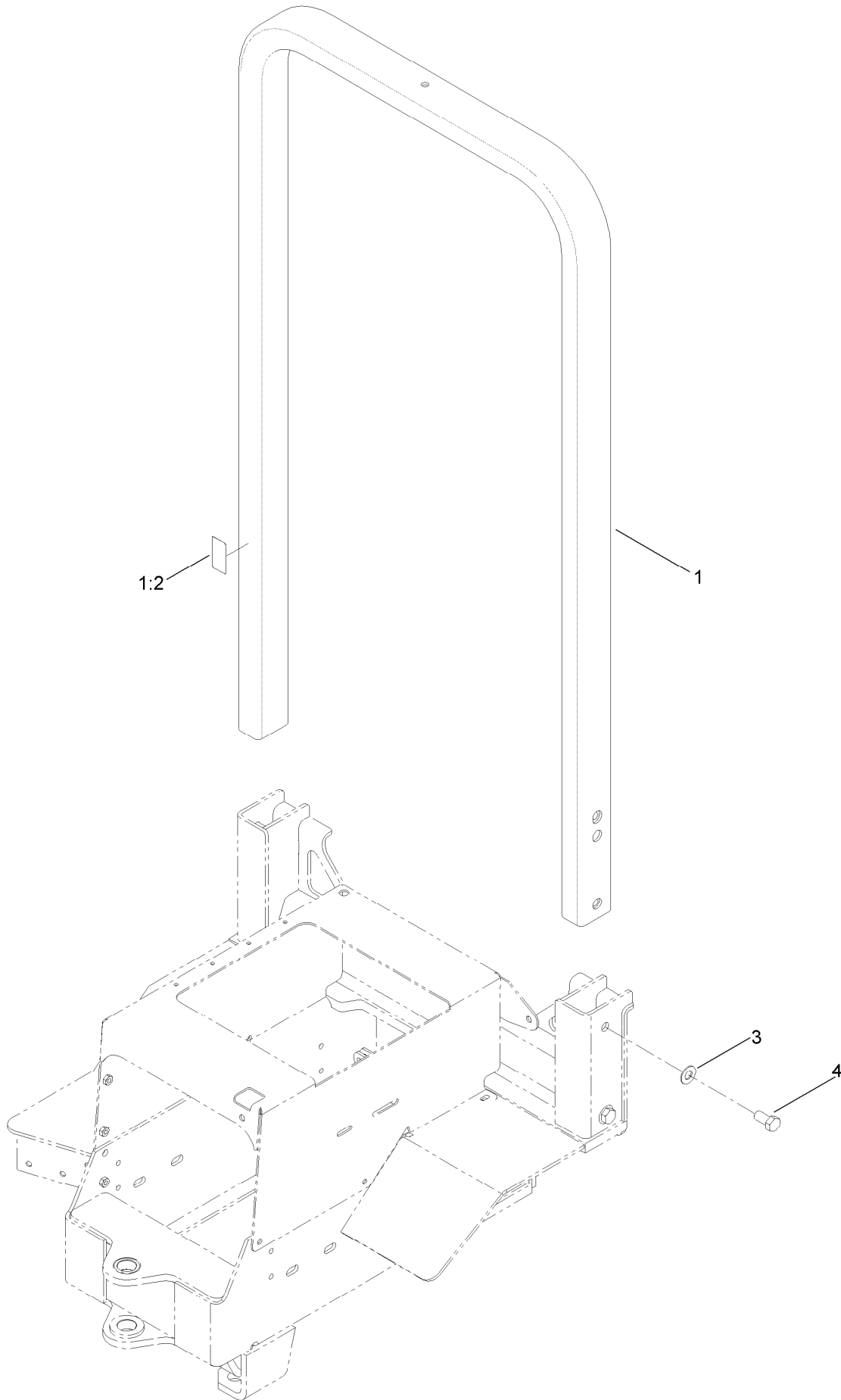
Seat Belt Assembly



Seat Belt Assembly (continued)

<i>Ref.</i>	<i>Part Number</i>	<i>Qty.</i>	<i>Description</i>	<i>Ref.</i>	<i>Part Number</i>	<i>Qty.</i>	<i>Description</i>
5	AU249116A1	1	Seat Belt ASM	8	AU232-4617	2	Nut-Hex
6	3256-5	4	Washer-Flat	9	AU428-736	1	Screw-HH
7	AU428-716	1	Screw-HH				

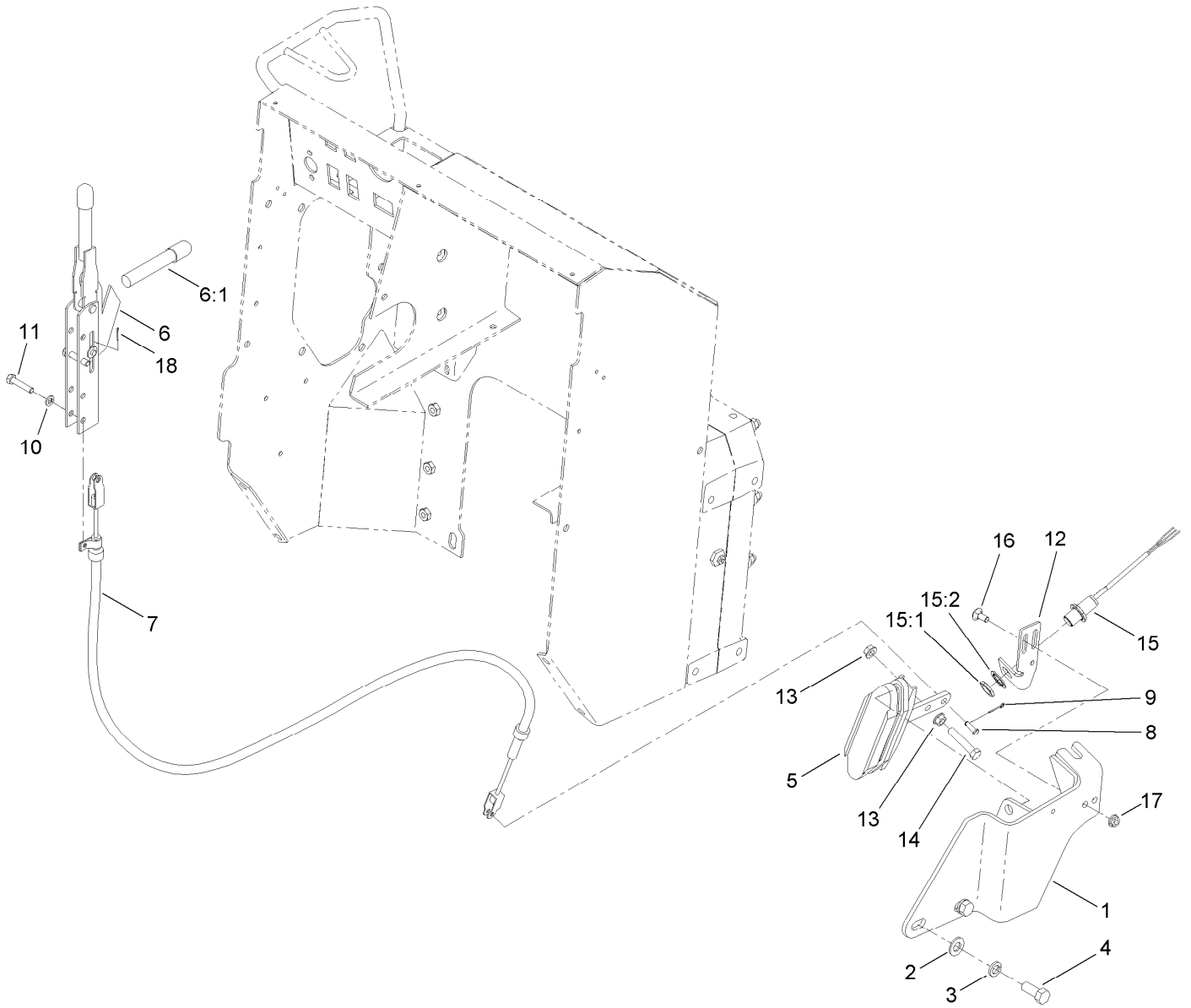
Roll-Over Protection System Assembly



Roll-Over Protection System Assembly (continued)

<i>Ref.</i>	<i>Part Number</i>	<i>Qty.</i>	<i>Description</i>	<i>Ref.</i>	<i>Part Number</i>	<i>Qty.</i>	<i>Description</i>
1	130-4268	1	ROPS ASM	3	3256-27	4	Washer-Flat
1:2	130-4338	1	Decal-ROPS	4	327-3	4	Screw-HH

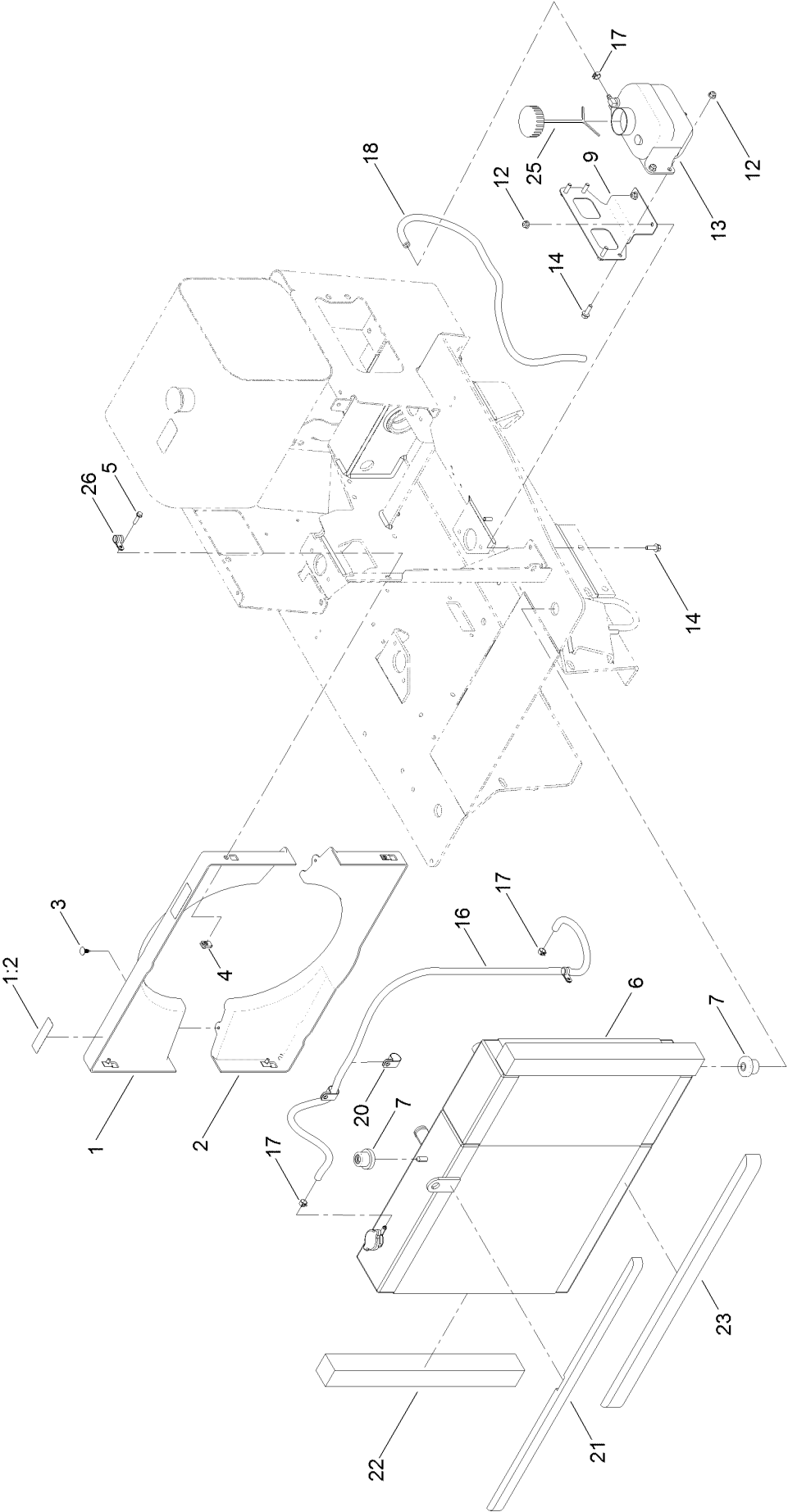
Brake Assembly



Brake Assembly (continued)

<i>Ref.</i>	<i>Part Number</i>	<i>Qty.</i>	<i>Description</i>	<i>Ref.</i>	<i>Part Number</i>	<i>Qty.</i>	<i>Description</i>
1	125-8534-03	1	Bracket-Brake	11	5-1470	2	Screw-HH
2	3256-26	2	Washer-Flat	12	125-8536-03	1	Bracket-Sensor
3	3253-7	2	Washer-Lock	13	3290-357	2	Nut-HSF
4	325-5	2	Screw-HH	14	323-32	1	Screw-HH
5	AUH673926	1	Caliper ASM	15	115-0282	1	Proximity Sensor ASM
6	AUH506881	1	Lever-Brake	15:1	117-3207	2	Nut-Hex
6:1	AUH53942	1	Spacer	15:2	117-3208	2	Washer-Lock, Internal Tooth
7	AU119124A2	1	Cable-Brake	16	3230-1	2	Bolt-CARR
8	9321204	1	Pin-Clevis	17	32128-20	2	Nut-HF
9	3272-2	1	Pin-Cotter	18	3272-1	1	Pin-Cotter
10	3253-4	2	Washer-Lock				

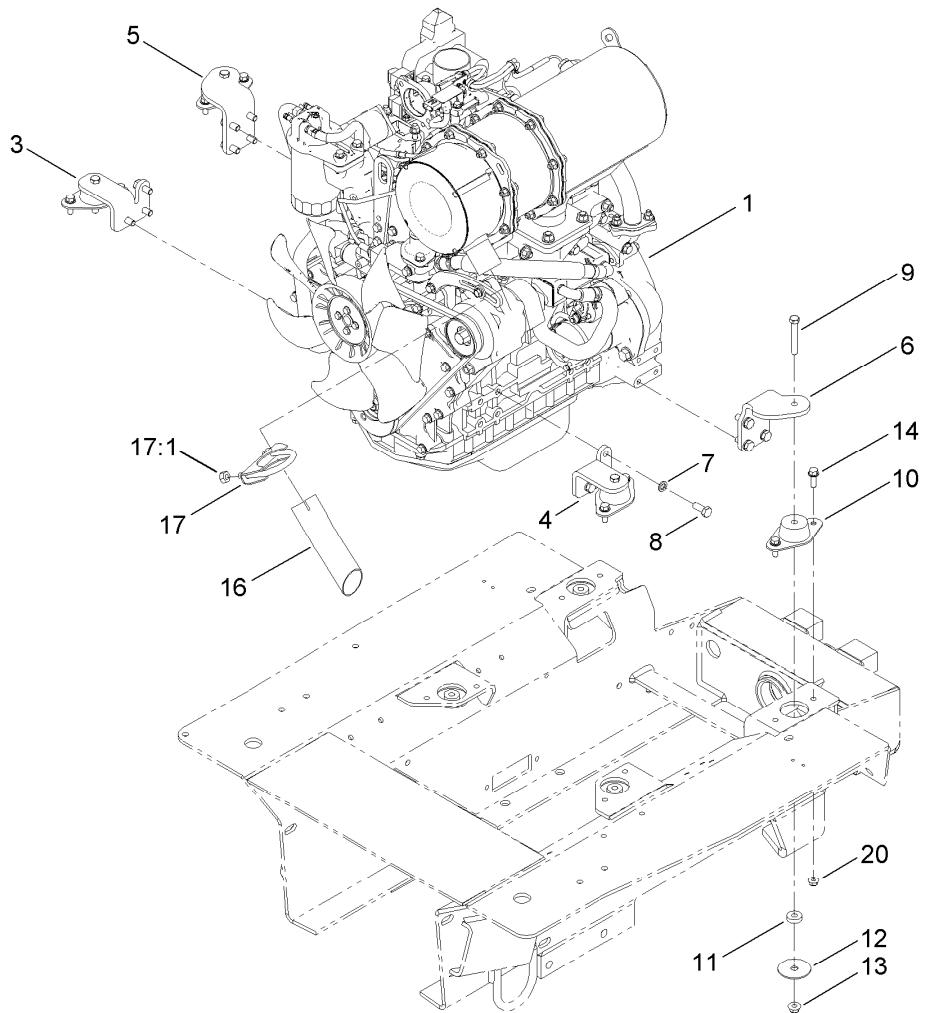
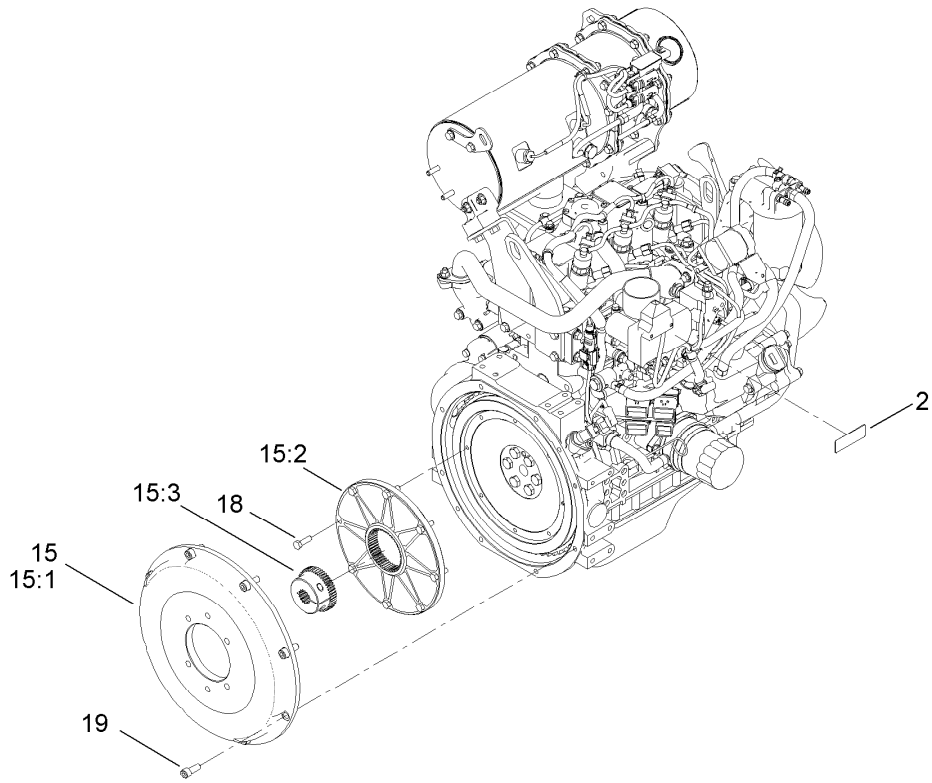
Shroud Assembly



Shroud Assembly (continued)

<i>Ref.</i>	<i>Part Number</i>	<i>Qty.</i>	<i>Description</i>	<i>Ref.</i>	<i>Part Number</i>	<i>Qty.</i>	<i>Description</i>
1	130-7447	1	Fan Shroud ASM	14	3234-29	6	Screw-HHF
1:2	120-0627	2	Decal-Warning	16	110-3259	1	Hose-Fuel
2	121-3311	1	Shroud-Bottom	17	92-2379	3	Clamp-Hose
3	117-2382	2	Plug-Plastic	18	110-6186	1	Hose-Fuel
4	107069	4	Clip	20	2412-41	2	Clamp-R
5	120-4654	4	Screw-HHF	21	130-4334	1	Seal-Foam
6	127-6581	1	Cooling ASM	22	130-4335	2	Seal-Foam
7	119-1422	3	Mount-Isolator	23	130-4336	1	Seal-Foam
9	127-6608-03	1	Bracket-Tank	25	87-7050	1	Cap-Reservoir
12	104-8300	6	Nut-HF, NI	26	2412-134	2	Clamp-R
13	AU138189A1	1	Tank-Recovery, Coolant				

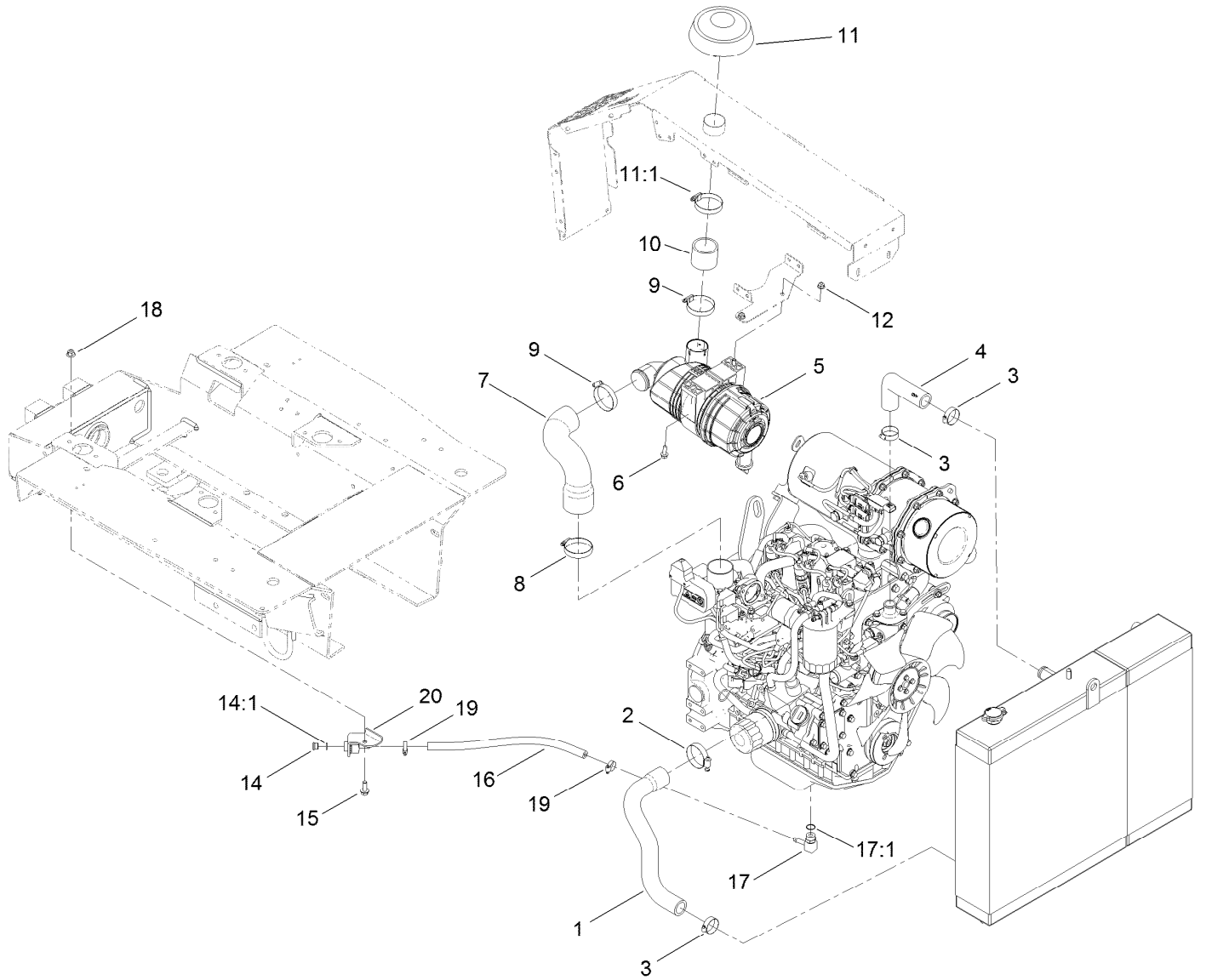
Engine Assembly



Engine Assembly (continued)

<i>Ref.</i>	<i>Part Number</i>	<i>Qty.</i>	<i>Description</i>	<i>Ref.</i>	<i>Part Number</i>	<i>Qty.</i>	<i>Description</i>
1	138-6924	1	Engine-Yanmar,3Tnv88C-Dtr4	13	104-8301	4	Nut-HF, NI
2	125-6688	1	Decal-Danger, Starter Fluid	14	3234-29	8	Screw-HHF
3	120-3780-0P	1	Mount-Engine Lr	15	127-6632	1	Drive Coupler Kit
4	120-3779-0P	1	Mount-Engine Rr	15:1	136-0235	1	Plate- Mounting, Pump
5	127-6583-03	1	Mount-Engine, Right Rear	15:2	127-6607	1	Flange-Flywheel
6	127-6584-03	1	Mount-Engine, Left Rear	15:3	127-6606	1	Hub
7	48-9590	14	Washer-Lock	16	130-4288	1	Tube-Exhaust
8	33115-025	14	Screw-HH	17	2112-6	1	Clamp-Muffler
9	323-12	4	Screw-HH	17:1	3218-2	2	Nut-Hex Jam
10	120-6274	4	Mount-Engine	18	33114-025	8	Screw-HH
11	62-6660	4	Spacer	19	3273-41	8	Screw-HSH
12	87-5100	4	Washer-Snubbing	20	104-8300	8	Nut-HF, NI

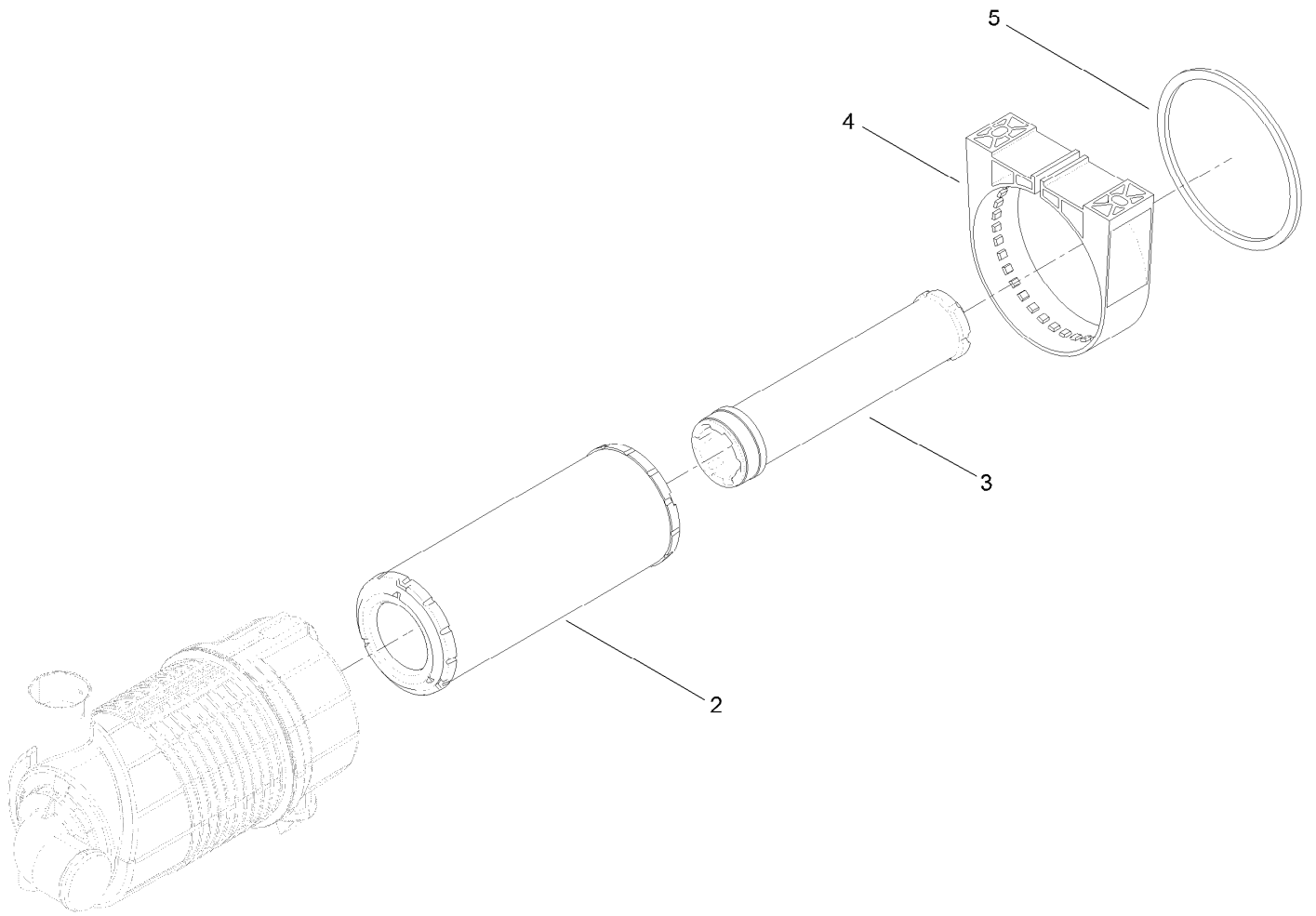
Air Cleaner and Radiator Hose Assembly



Air Cleaner and Radiator Hose Assembly (continued)

<i>Ref.</i>	<i>Part Number</i>	<i>Qty.</i>	<i>Description</i>	<i>Ref.</i>	<i>Part Number</i>	<i>Qty.</i>	<i>Description</i>
1	121-3322	1	Hose-Radiator, Lower	11:1	2412-130	1	Clamp-Hose
2	2412-92	1	Clamp-Hose	12	104-8300	2	Nut-HF, NI
3	2412-34	3	Clamp-Hose	14	353-989	1	Plug-Hex, Hollow
4	121-3321	1	Hose-Radiator, Upper	14:1	237-42	1	O-Ring
5	127-6617	1	Air Cleaner ASM	15	3234-42	1	Screw-HHF
6	3234-29	2	Screw-HHF	16	121-7488	1	Hose-HYD
7	127-6609	1	Hose-Air	17	112-2404	1	Fitting-Barbed-90
8	2412-42	1	Clamp-Hose	17:1	112-2525	1	Washer-Seal, Bonded
9	2412-130	3	Clamp-Hose	18	119-4042	1	Nut-HF, NI
10	130-4329	1	Hose-Air Inlet	19	2412-36	2	Clamp-Hose
11	139-0686	1	Rain Cap ASM	20	131-2101	1	Oil Plug ASM

Air Filter Assembly No. 127-6617

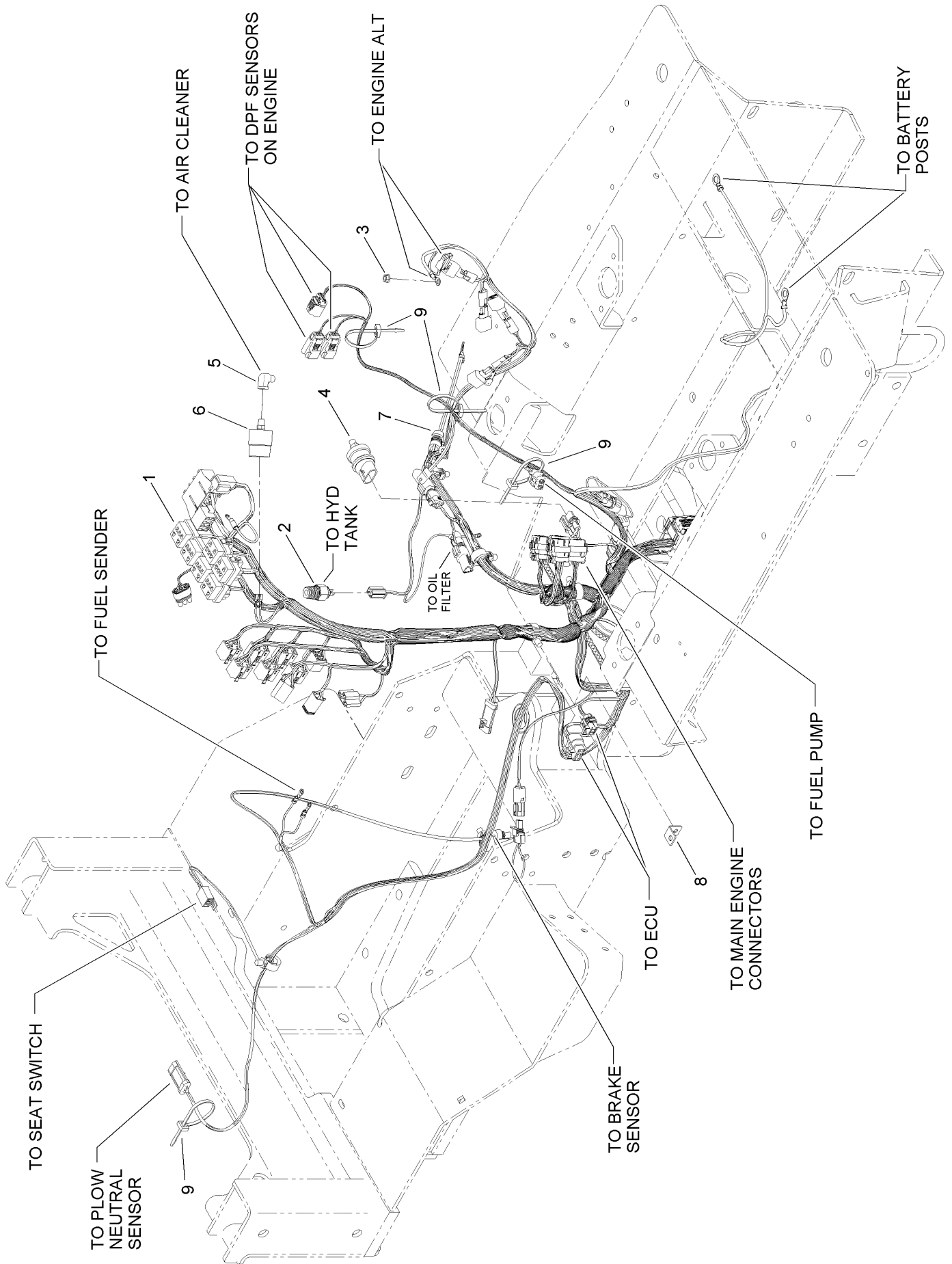


Air Filter Assembly No. 127-6617 (continued)

<i>Ref.</i>	<i>Part Number</i>	<i>Qty.</i>	<i>Description</i>
2	108-3810	1	Filter-Air
3	114-4057	1	Element-Safety

<i>Ref.</i>	<i>Part Number</i>	<i>Qty.</i>	<i>Description</i>
4	98-4525	1	Bracket-Cleaner, Air
5	104-4897	1	Gasket

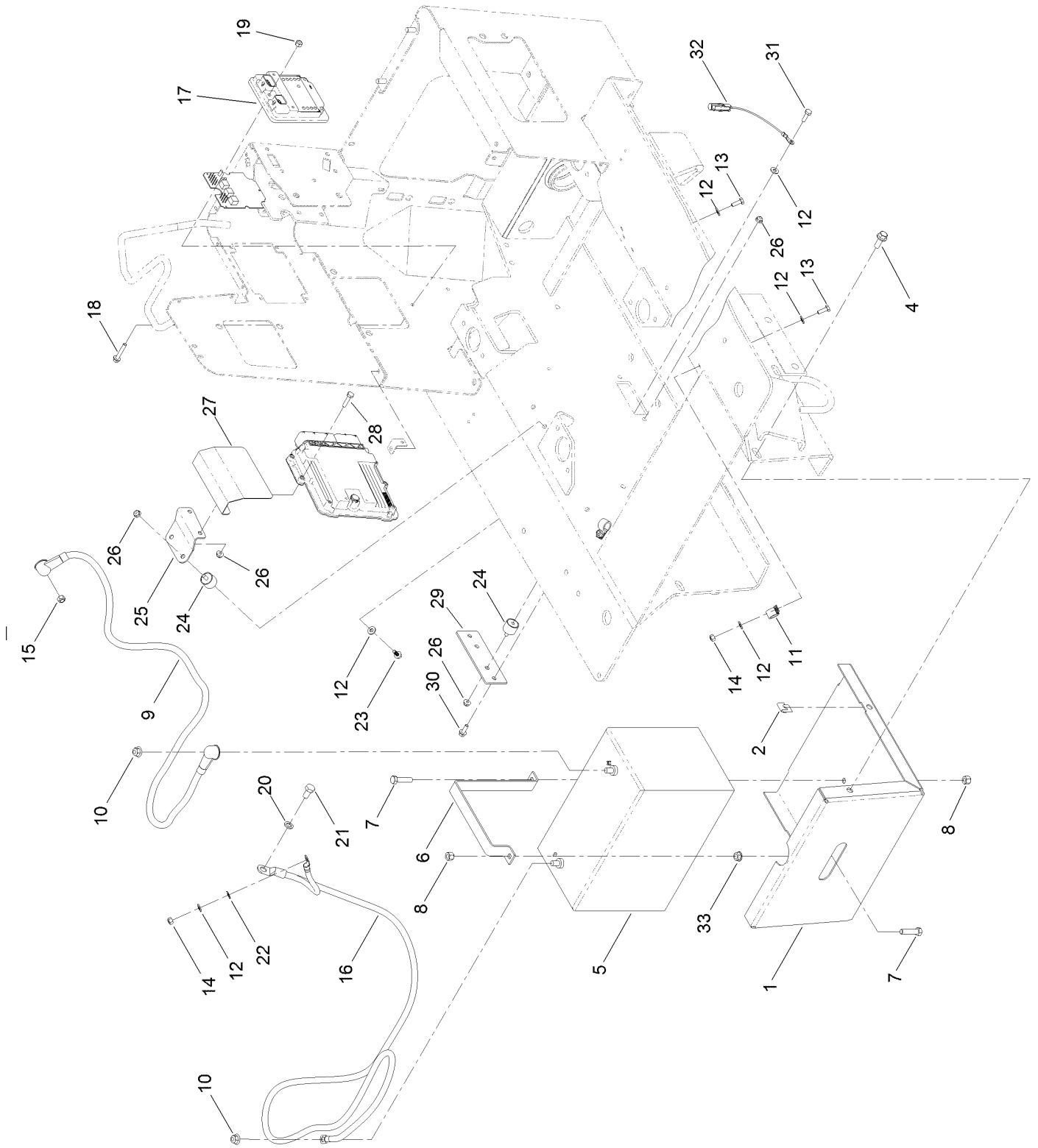
Electrical Assembly



Electrical Assembly (continued)

<i>Ref.</i>	<i>Part Number</i>	<i>Qty.</i>	<i>Description</i>	<i>Ref.</i>	<i>Part Number</i>	<i>Qty.</i>	<i>Description</i>
1	122-0128	1	Harness-Wire	6	AU292950A1	1	Switch-Pressure, Vacuum
2	121-6599	1	Switch-Temp, 200 Degree	7	99-3441	1	Harness-Wire, Fusible Link
3	33003-00	1	Nut-HF	8	130-7414	1	Bracket
4	125-8509	1	Switch-Pressure, Oil	9	3290-378	4	Tie-Cable
5	2811-7	1	Elbow				

Battery Assembly

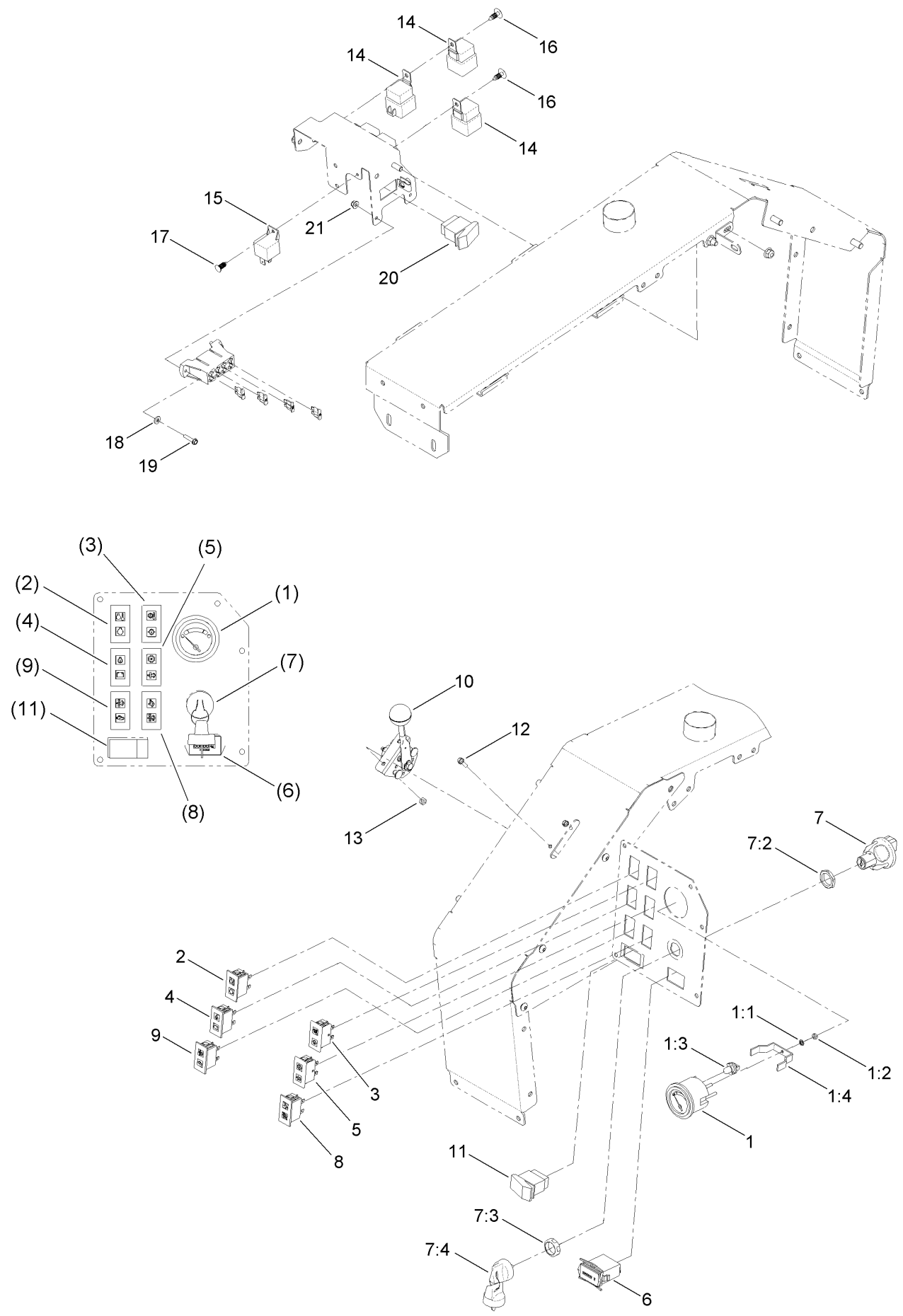


Battery Assembly (continued)

<i>Ref.</i>	<i>Part Number</i>	<i>Qty.</i>	<i>Description</i>	<i>Ref.</i>	<i>Part Number</i>	<i>Qty.</i>	<i>Description</i>
1	AUH673382-01	1	Rack-Battery	18	94-5781	3	Screw-HHF
2	AU131-634	4	Nut-Spring	19	3296-42	3	Nut-Lock, NI
4	3234-42	4	Screw-HHF	20	48-9590	1	Washer-Lock
5		1	Battery (1000CCA, Wet) ●	21	33115-020	1	Screw-HH
6	AUH436777-03	1	Bracket-Battery	22	3255-8	1	Washer-Lock
7	323-8	2	Screw-HH	23	99-6810	2	Screw-HHF
8	AU232-4116	2	Nut-Hex	24	125-2674	4	Mount-Cylindrical
9	122-0113	1	Cable-Battery, Positive	25	130-4299-03	1	Plate-E C U
10	104-8301	2	Nut-HF, NI	26	104-7201	8	Nut-HF, NI
11	2412-87	2	Clamp-Cable	27	130-4300-03	1	Cover-Drip
12	3256-22	10	Washer-Flat	28	321-7	2	Screw-HH
13	321-4	3	Screw-HH	29	130-4301	1	Plate-E C U
14	32152-4	3	Nut-Lock, Cone	30	3234-4	2	Screw-HHF
15	33024-00	1	Nut-Lock, NI	31	321-5	2	Screw-HH
16	122-0257	1	Cable-Battery, Negative	32	122-0340	1	Harness-Wire
17	131-2139	1	Module-Control, Prosneak	33	3290-357	1	Nut-HSF

● Not serviced separately

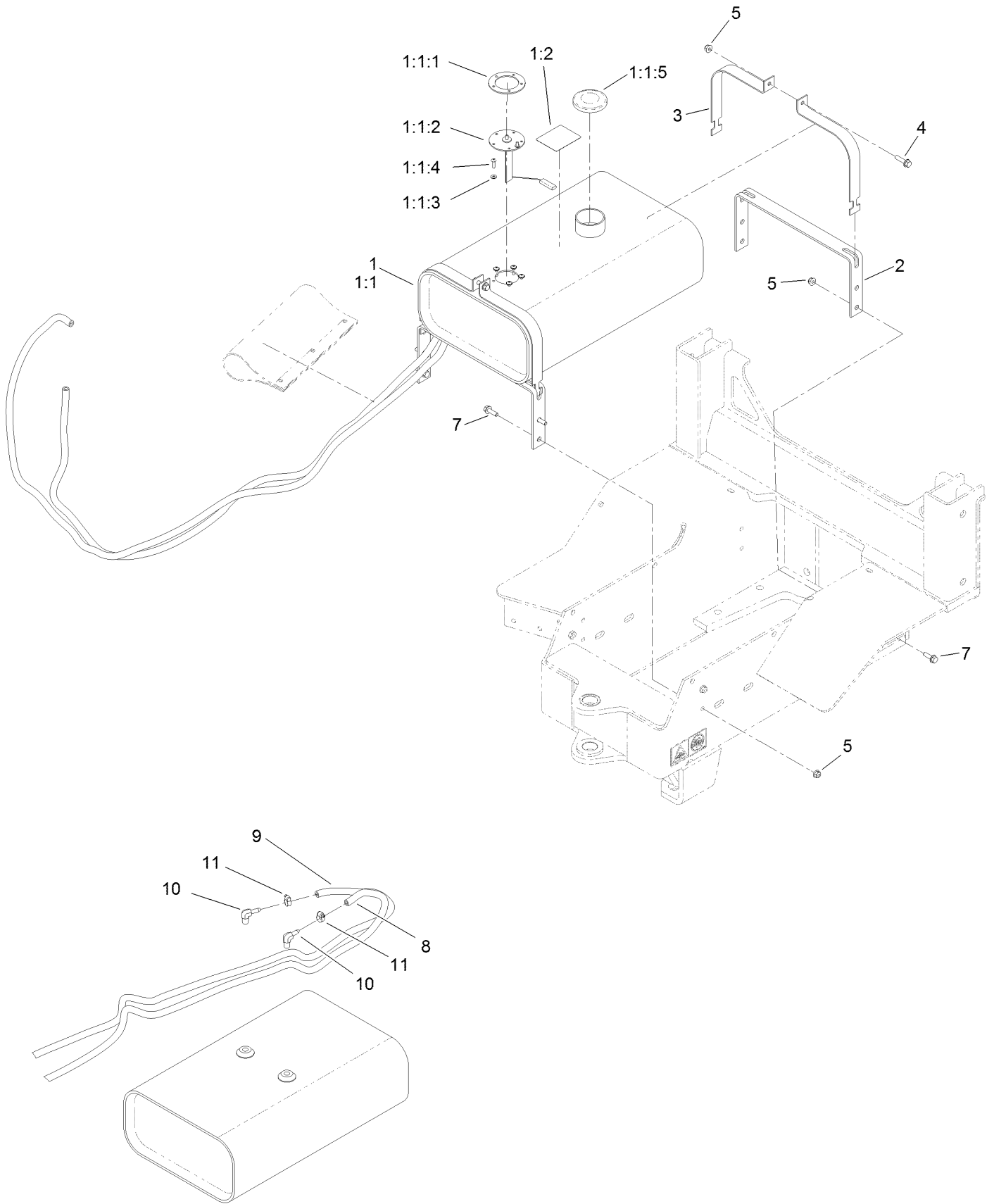
Electrical Relay, Lamp and Switch Assembly



Electrical Relay, Lamp and Switch Assembly (continued)

<i>Ref.</i>	<i>Part Number</i>	<i>Qty.</i>	<i>Description</i>	<i>Ref.</i>	<i>Part Number</i>	<i>Qty.</i>	<i>Description</i>
1	98-9339	1	Gauge-Fuel	8	130-4321	1	Lamp-Warning
1:1	3254-1	3	Washer-Lock, Int	9	130-4322	1	Lamp-Warning
1:2	3217-27	3	Nut-Hex	10	130-4328	1	Throttle-Sensor, Rotary
1:3	105-9265	1	Bulb And Lamp ASM	11	130-4347	1	Switch
1:4	105-0038	1	Bracket-Gauge	12	32105-13	2	Screw-HWH
2	130-7419	1	Light Cluster ASM	13	3296-2	2	Nut-Lock, NI
3	121-6584	1	Lamp-Warning	14	99-7430	6	Relay-Mini
4	130-7418	1	Light Cluster ASM	15	99-7435	1	Relay
5	121-6582	1	Lamp-Warning	16	104-0395	4	Plug-Plastic
6	120-2244	1	Hourmeter	17	125-8067	1	Plug-Plastic
7	121-5159	1	Switch-Ignition	18	3256-14	2	Washer-Flat
7:2	121-5160	1	Nut-Hex	19	106-9169	2	Screw-HWH
7:3	121-5161	1	Nut-Face	20	95-8999	1	Switch
7:4	121-5162	1	Set-Key, Ignition	21	120-4578	2	Nut-HF

Fuel Tank Assembly

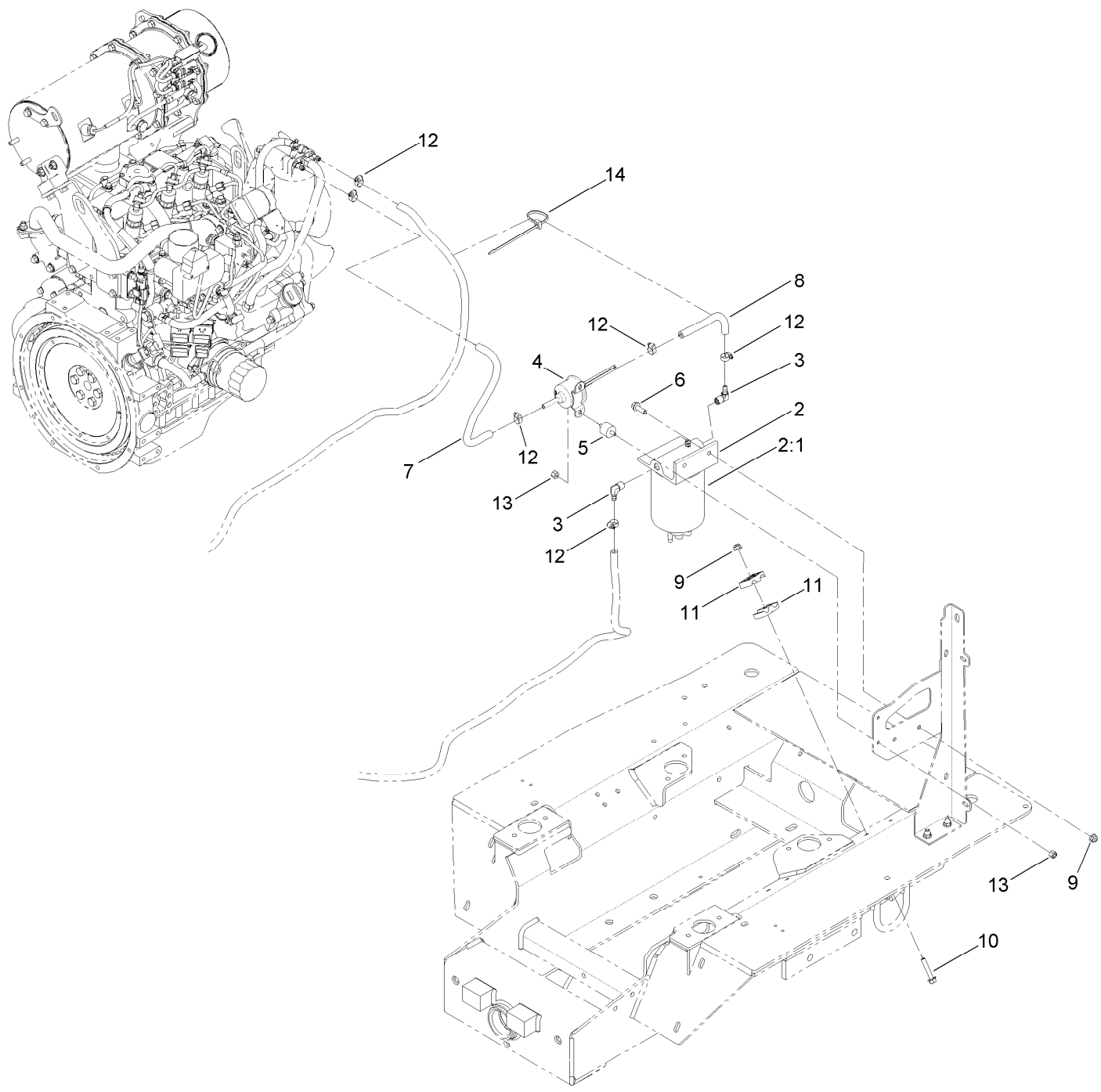


Fuel Tank Assembly (continued)

<i>Ref.</i>	<i>Part Number</i>	<i>Qty.</i>	<i>Description</i>	<i>Ref.</i>	<i>Part Number</i>	<i>Qty.</i>	<i>Description</i>
1	130-7379	1	Fuel Tank ASM	3	AU105630-03	4	Strap-Tank, Fuel
1:1		1	Tank-Fuel ●	4	3234-36	2	Screw-HHF
1:1:1	131-0684	1	Gasket-Fuel	5	104-8300	10	Nut-HF, NI
1:1:2	131-0685	1	Fuel Sender	7	3234-17	8	Screw-HHF
1:1:3	131-0686	5	Washer-Seal	8	130-4330	1	Hose-Fuel
1:1:4	1-803075	5	Screw-Head, Truss	9	130-4331	1	Hose-Fuel
1:1:5	AU105612	1	Cap-Fuel	10	AU217-294	2	Stem-90 (Barb Hose)
1:2	125-6135	1	Decal-Diesel, Ultra-Low	11	2412-108	2	Clamp-Worm
2	AU105629-03	2	Bracket-Tank, Fuel				

● Not serviced separately

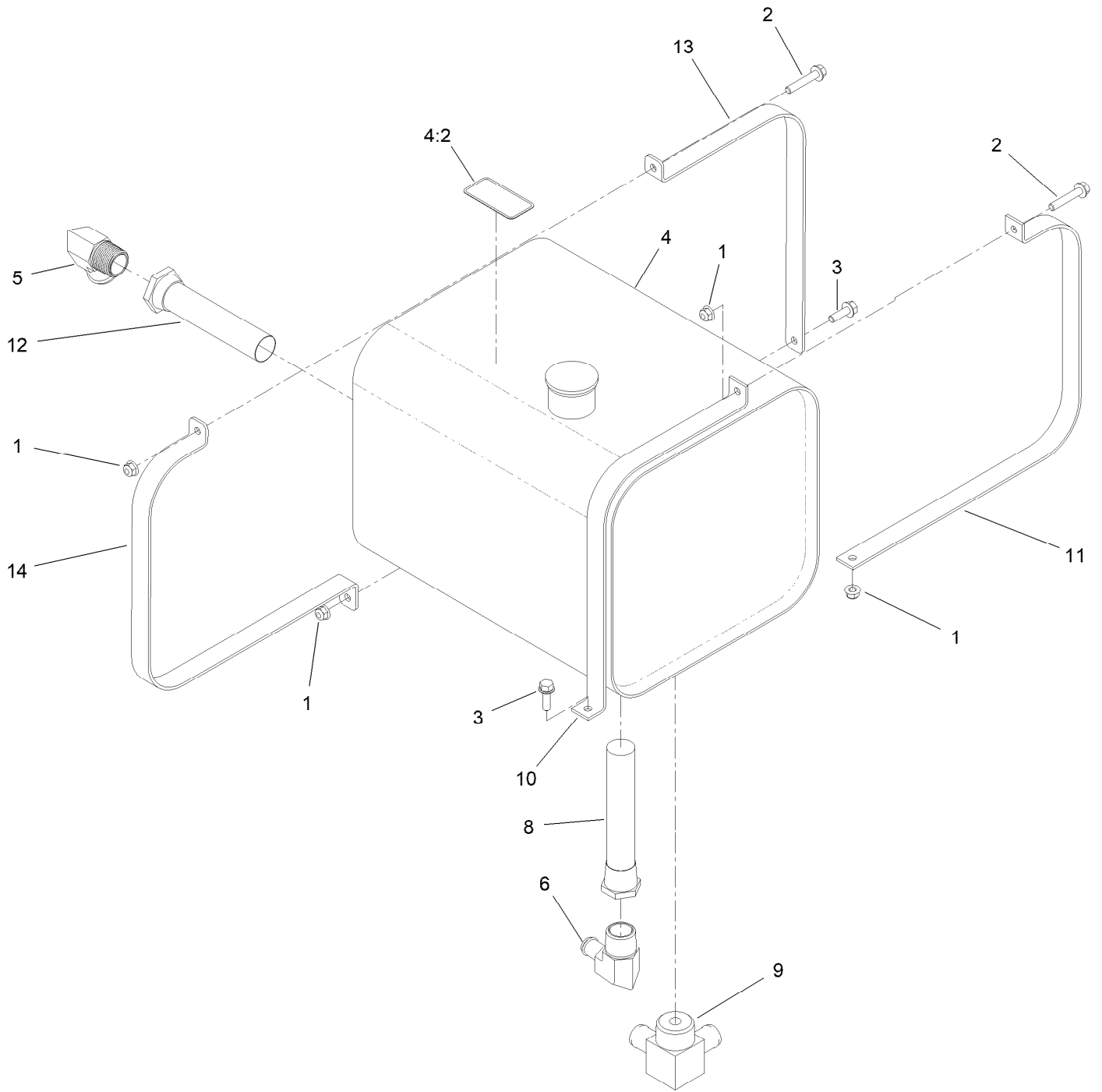
Fuel Pump and Oil Filter Assembly



Fuel Pump and Oil Filter Assembly (continued)

<i>Ref.</i>	<i>Part Number</i>	<i>Qty.</i>	<i>Description</i>	<i>Ref.</i>	<i>Part Number</i>	<i>Qty.</i>	<i>Description</i>
2	125-2914	1	Filter-Separator	8	117-4026	1	Hose-Fuel
2:1	125-2915	1	Filter-Fuel/Water Separator	9	104-8300	3	Nut-HF, NI
3	353-781	2	Fitting-HYD, 90	10	94-5780	1	Screw-HWH
4	121-5613	1	Pump-Fuel, Electric	11	56-7971	2	Clamp-Tube
5	125-8511	2	Mount-Isolater	12	2412-108	6	Clamp-Worm
6	3234-17	2	Screw-HHF	13	3296-29	4	Nut-Lock, NI
7	130-4332	1	Hose-Fuel	14	3290-378	1	Tie-Cable

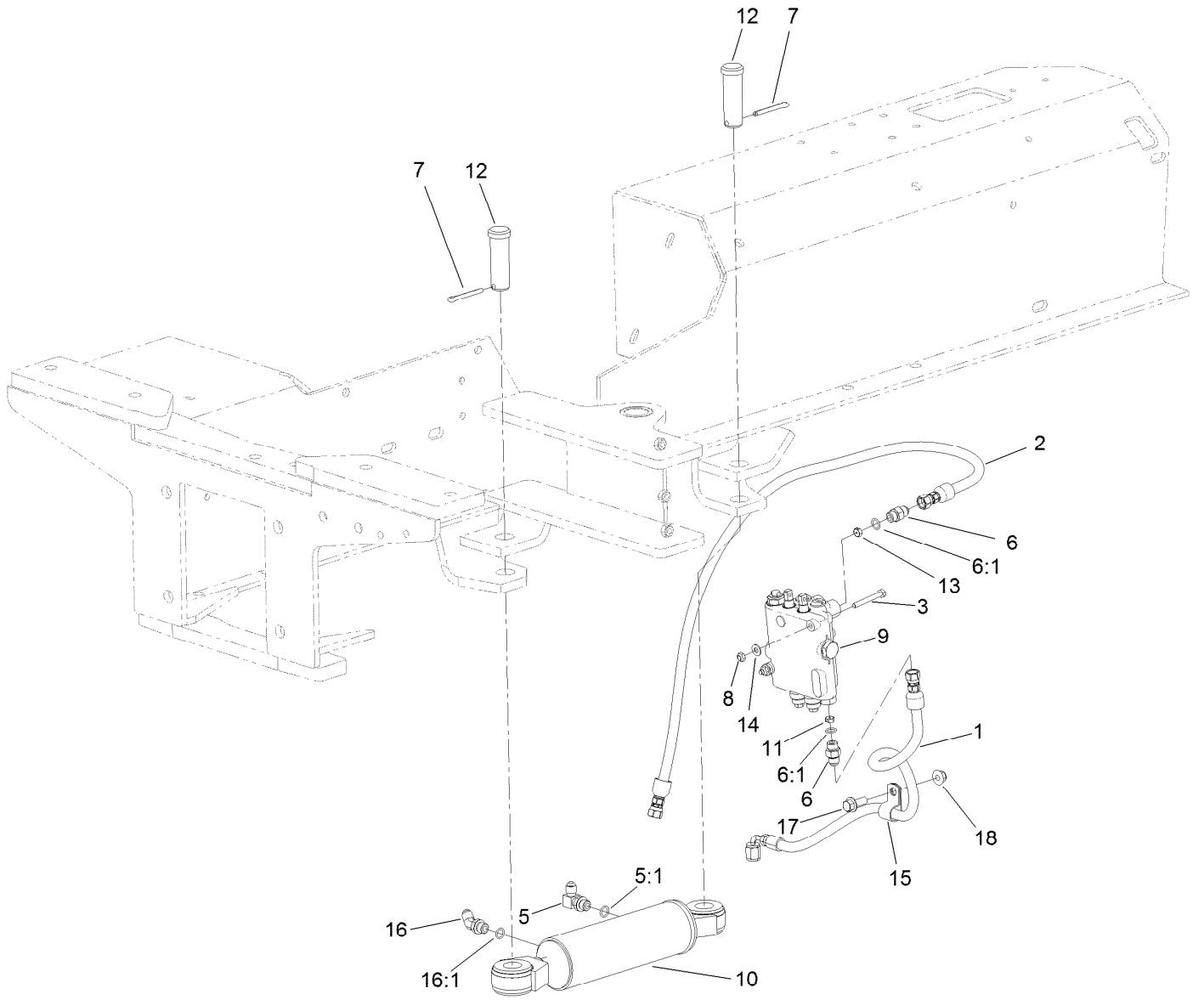
Hydraulic Tank Assembly



Hydraulic Tank Assembly (continued)

<i>Ref.</i>	<i>Part Number</i>	<i>Qty.</i>	<i>Description</i>	<i>Ref.</i>	<i>Part Number</i>	<i>Qty.</i>	<i>Description</i>
1	104-8300	4	Nut-HF, NI	8	AUH151399	1	Filter ASM
2	94-5780	2	Screw-HWH	9	140-7682	1	Inducer-Pressure
3	3234-29	2	Screw-HHF	10	AUH435811-03	1	Strap-Tank
4	127-1097	1	HYD Tank ASM	11	AUH435847-03	1	Strap-Tank
4:2	125-8483	1	Decal-HYD Fluid	12	AUH584631	1	Filter ASM
5	AU217-166	1	Fitting-Elbow, 90	13	130-4316-03	1	Strap-Tank
6	130-4319	1	Fitting-Elbow, 90	14	130-4317-03	1	Strap-Tank

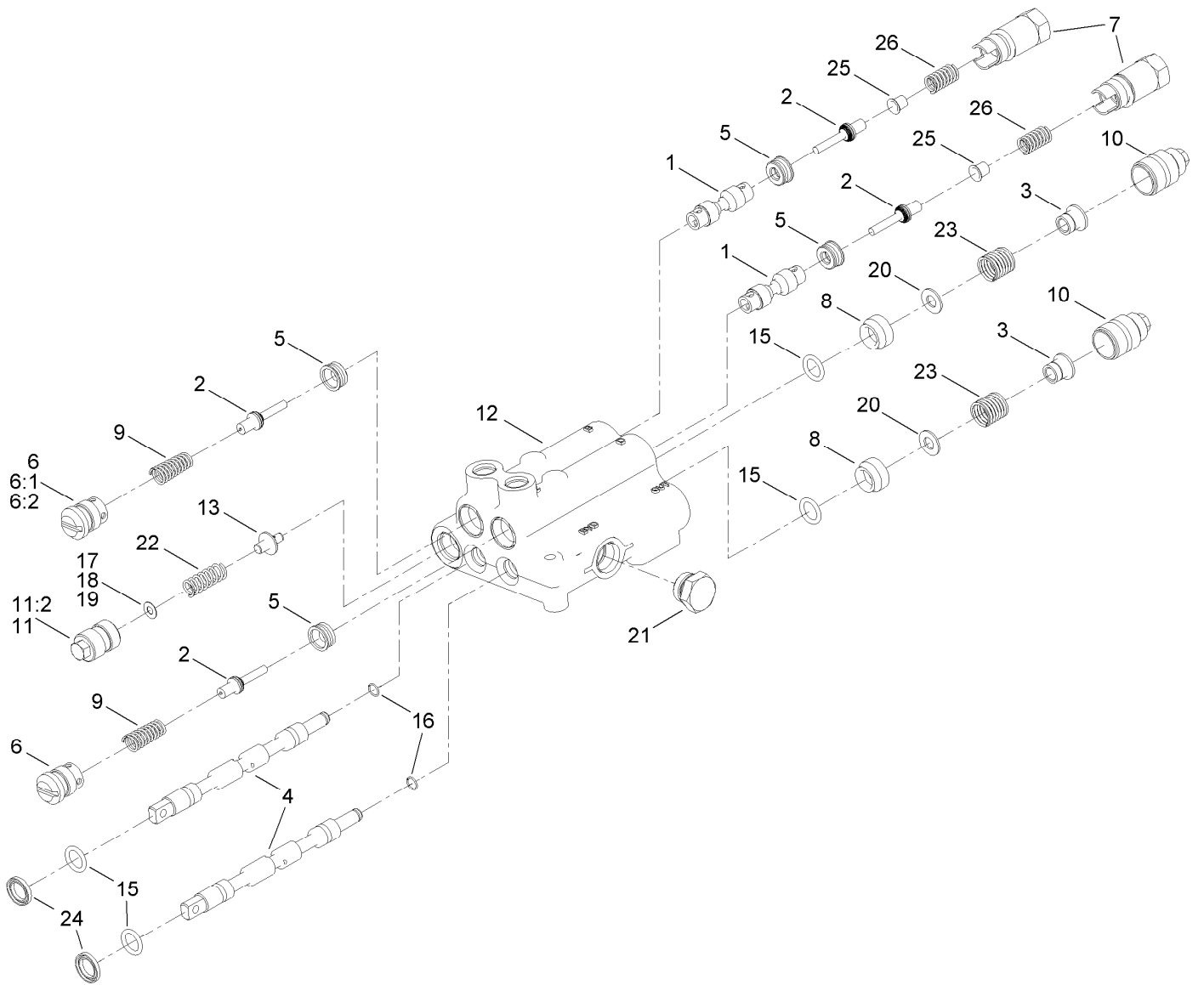
Steering Assembly



Steering Assembly (continued)

<i>Ref.</i>	<i>Part Number</i>	<i>Qty.</i>	<i>Description</i>	<i>Ref.</i>	<i>Part Number</i>	<i>Qty.</i>	<i>Description</i>
1	127-1001	1	Hose ASM	10	AU125471	1	HYD Cylinder ASM
2	127-1002	1	Hose ASM	11	AUH433173	1	Plate-Orifice
3	321-11	2	Screw-HH	12	AUH67272	2	Pin-Clevis
5	103-1802	1	Fitting-Elbow, 90 DEG	13	AUH746875	1	Plate-Orifice
5:1	237-42	1	O-Ring	14	AUH426767	2	Washer-Flat
6	353-384	2	Fitting-Straight	15	2412-81	1	Clamp-R
6:1	237-42	1	O-Ring	16	353-212	1	Fitting-Elbow, 45 DEG
7	AU432-1628	2	Pin-Cotter	16:1	237-42	1	O-Ring
8	146375	2	Nut-Lock, Cone	17	3234-42	1	Screw-HHF
9	AU407213A1	1	HYD Steering Valve ASM	18	104-8301	1	Nut-HF, NI

Hydraulic Steering Valve Assembly No. AU407213A1

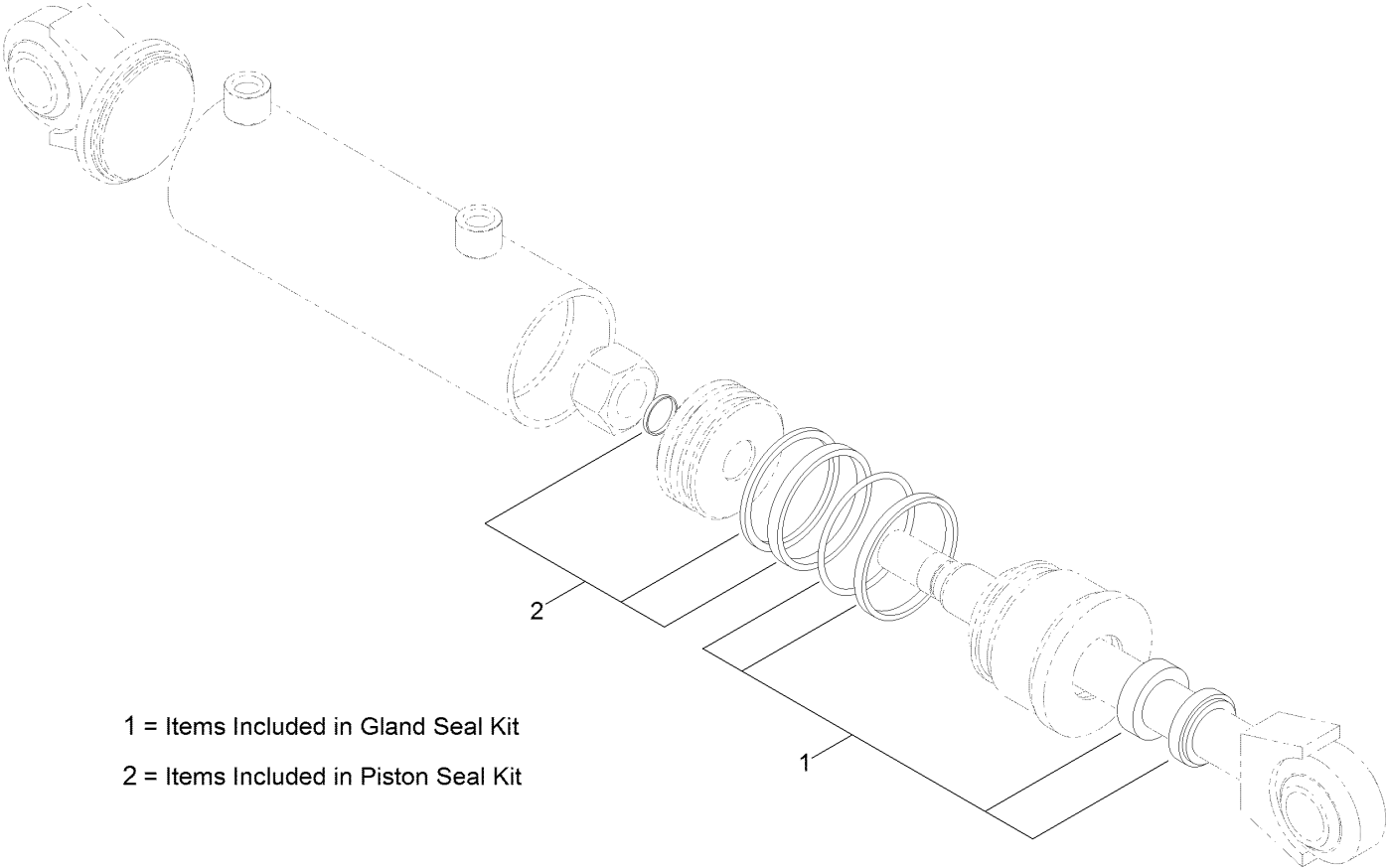


Hydraulic Steering Valve Assembly No. AU407213A1 (continued)

<i>Ref.</i>	<i>Part Number</i>	<i>Qty.</i>	<i>Description</i>	<i>Ref.</i>	<i>Part Number</i>	<i>Qty.</i>	<i>Description</i>
1	127-6238	2	Plunger	12		1	Body ●
2	58-6290	4	Poppet	13	92-2568	1	Poppet
3	127-6237	2	Spacer	15	58-6450	4	O-Ring
4	106-6750	2	Spool	16	AUN9257	2	Ring-Retaining
5	117-9228	4	Seat-Hardened	17	58-6470	1	Washer
6	99-3526	2	Plug ASM	18	58-6480	1	Washer
6:1	60-5720	1	O-Ring	19	58-6490	1	Washer
6:2	59-7730	1	Washer-Backup	20	65-2770	2	Washer
7	58-6380	2	Plug	21	127-6239	1	Plug ASM
8	58-6400	2	Bushing	22	106-0267	1	Spring
9	AUH364182	2	Lock-Spring	23	99-3531	2	Spring
10	58-6420	2	Cap	24	58-6320	2	Wiper
11	69-1830	1	Plug ASM	25	60-6440	2	Eyelet
11:2	58-6750	1	O-Ring	26	58-6410	2	Spring

● Not serviced separately

Hydraulic Cylinder Assembly No. AU125471



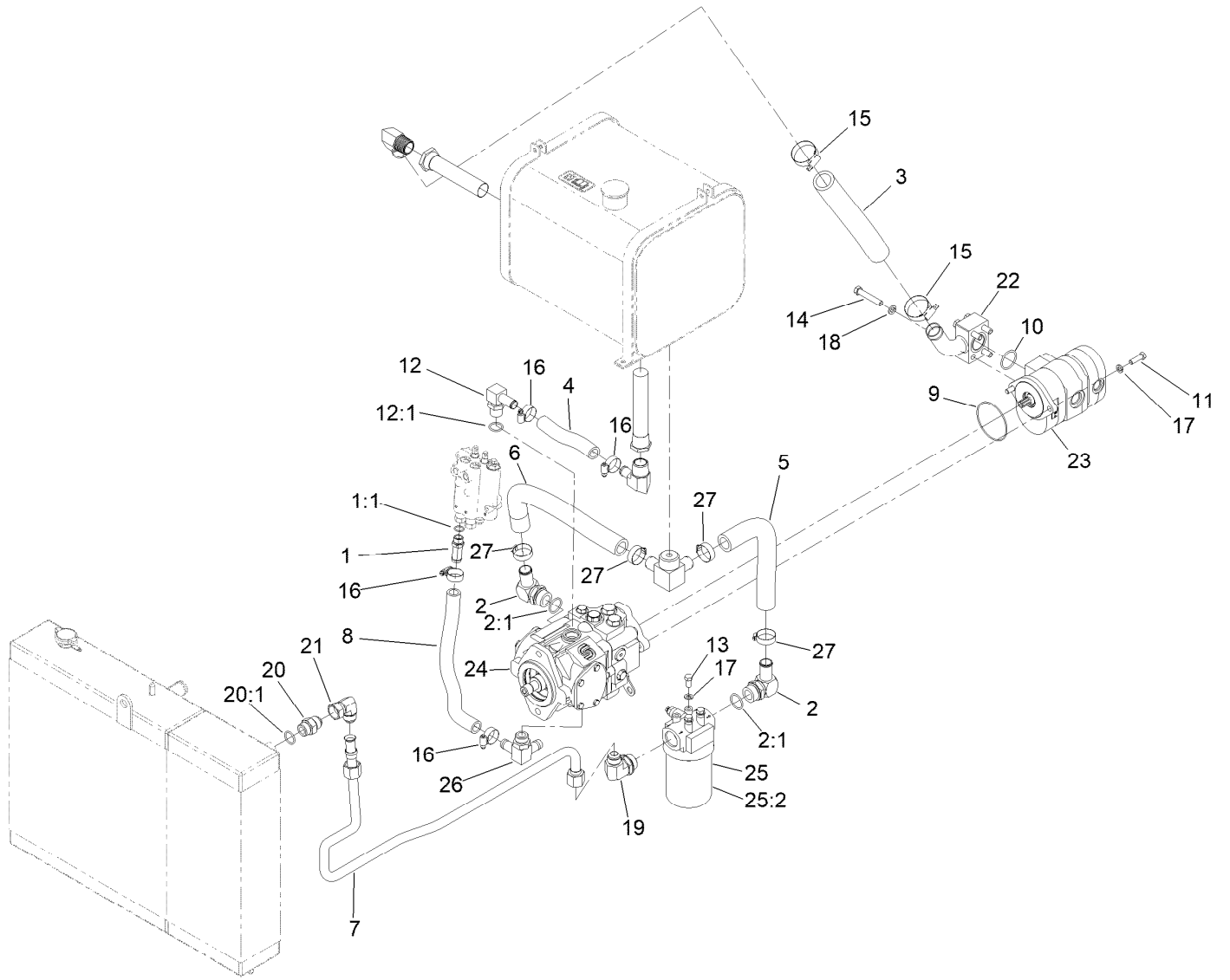
1 = Items Included in Gland Seal Kit

2 = Items Included in Piston Seal Kit

Hydraulic Cylinder Assembly No. AU125471 (continued)

<i>Ref.</i>	<i>Part Number</i>	<i>Qty.</i>	<i>Description</i>
1	131-0169	1	Gland Seal Kit
2	AU124048	1	Piston Seal Kit

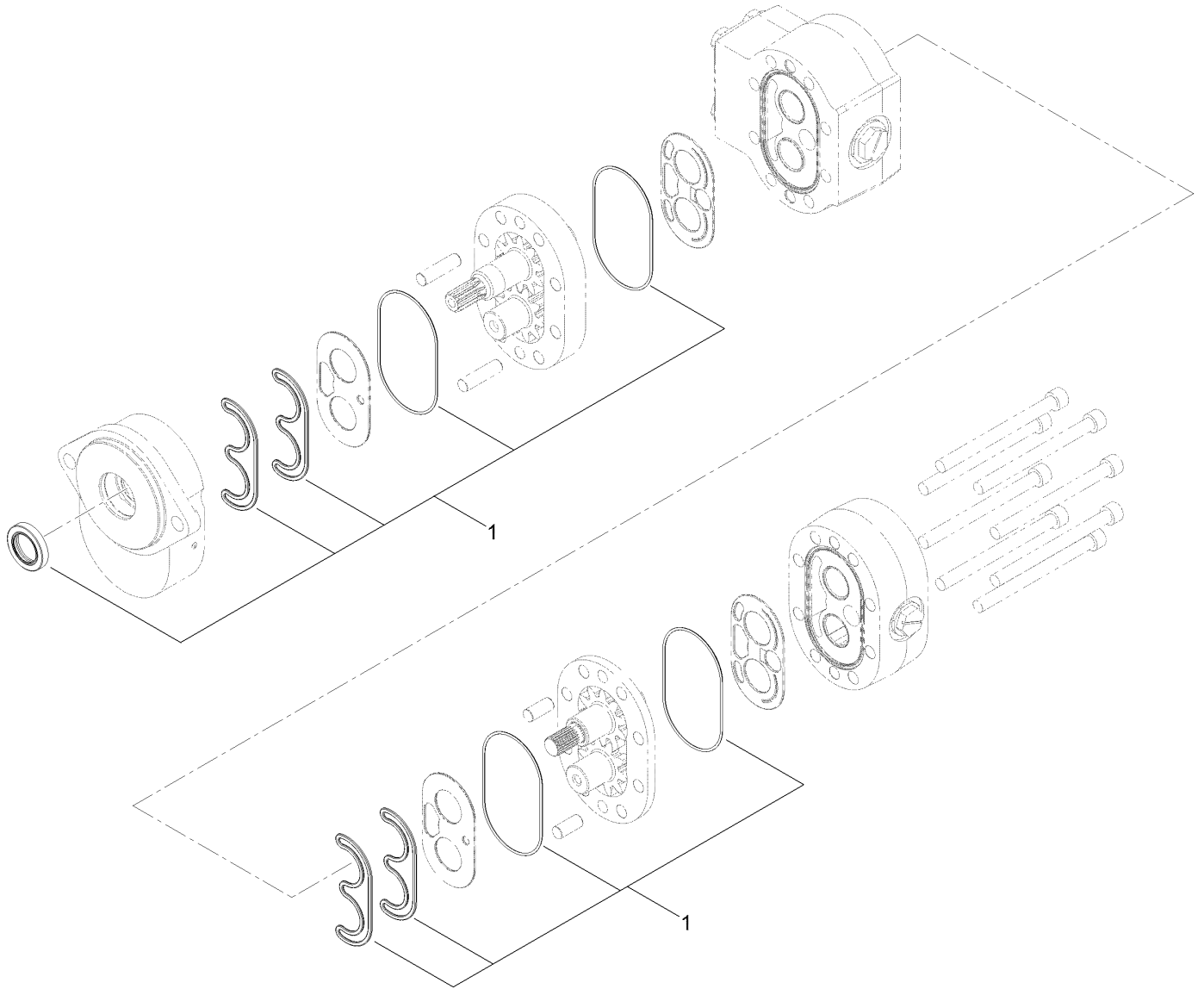
Pump Assembly



Pump Assembly (continued)

<i>Ref.</i>	<i>Part Number</i>	<i>Qty.</i>	<i>Description</i>	<i>Ref.</i>	<i>Part Number</i>	<i>Qty.</i>	<i>Description</i>
1	83-1480	1	Fitting-Straight	14	324-10	4	Screw-HH
1:1	237-79	1	O-Ring	15	2412-75	2	Clamp
2	23-8910	2	Stem-Barb-90	16	2412-129	4	Clamp-Hose
2:1	237-146	1	O-Ring	17	3253-21	5	Washer-Lock
3	125-8543	1	Hose-Suction	18	3253-6	4	Washer-Lock
4	130-7390	1	Hose-Low Pressure	19	AU218-5118	1	Elbow
5	145-6901	1	Hose-HYD, Suction	20	AU218-5064	1	Fitting-Straight
6	145-6900	1	Hose-HYD, Suction	20:1	237-81	1	O-Ring
7	130-7355	1	Hydraulic Tube ASM	21	AU218-5231	1	Fitting-Elbow, 90
8	125-8546	1	Hose-HYD	22	127-6556	1	Flange-Pump
9	AU238-5152	1	O-Ring	23	127-6550	1	HYD Pump ASM (Double)
10	AU238-5222	1	O-Ring	24	AU239918A1	1	HYD Variable Pump ASM
11	323-7	2	Screw-HH	25	127-8423	1	HYD Filter ASM
12	353-987	1	Fitting-Elbow, 90	25:2	110-4146	1	Filter-HYD
12:1	237-81	1	O-Ring	26	AUH339762	1	Tee
13	323-4	3	Screw-HH	27	2412-34	4	Clamp-Hose

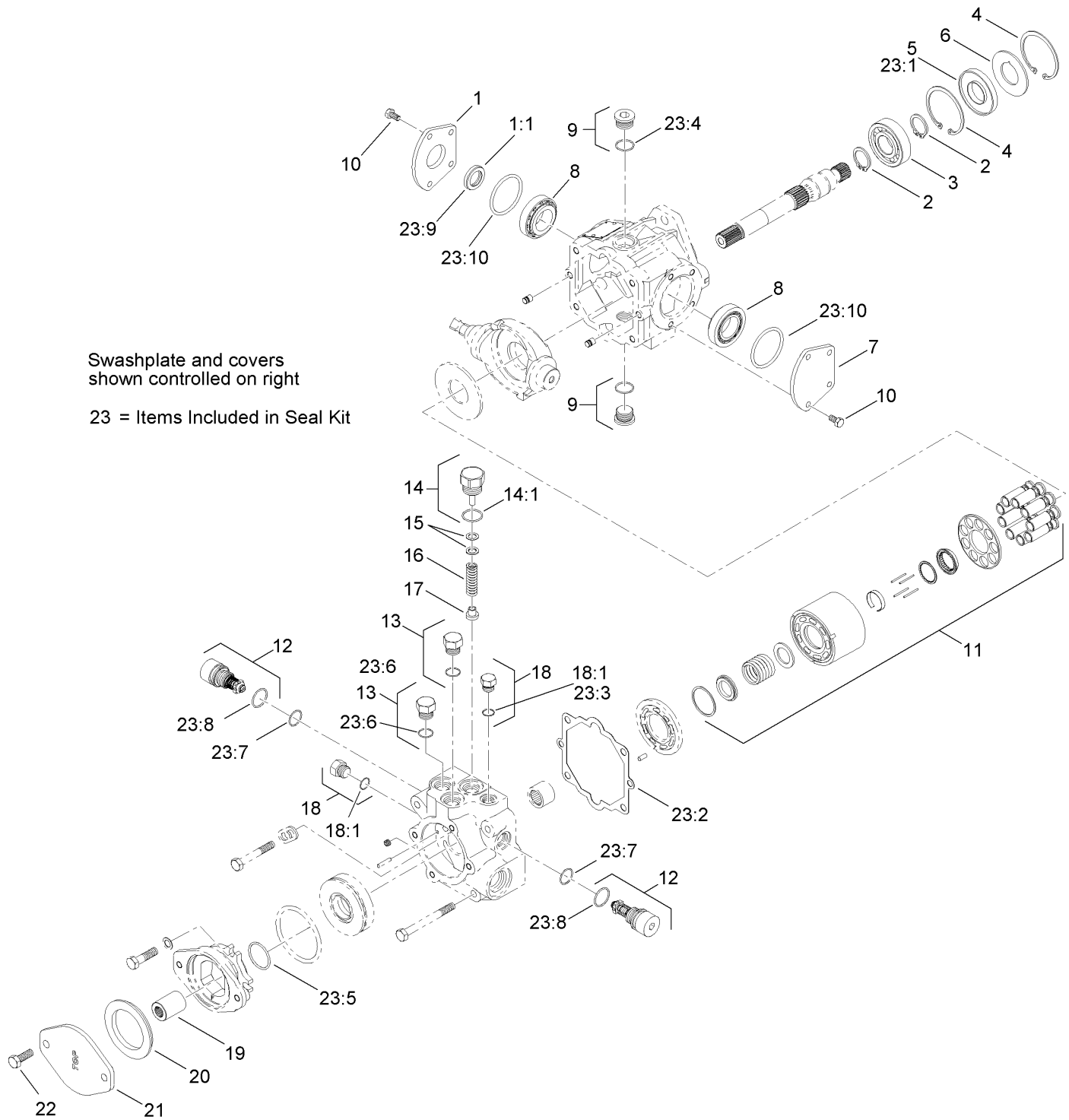
Hydraulic Gear Pump Assembly No. 127-6550



Hydraulic Gear Pump Assembly No. 127-6550 (continued)

<i>Ref.</i>	<i>Part Number</i>	<i>Qty.</i>	<i>Description</i>
1	132-8759	1	Seal Kit

Hydraulic Variable Pump Assembly No. AU239918A1

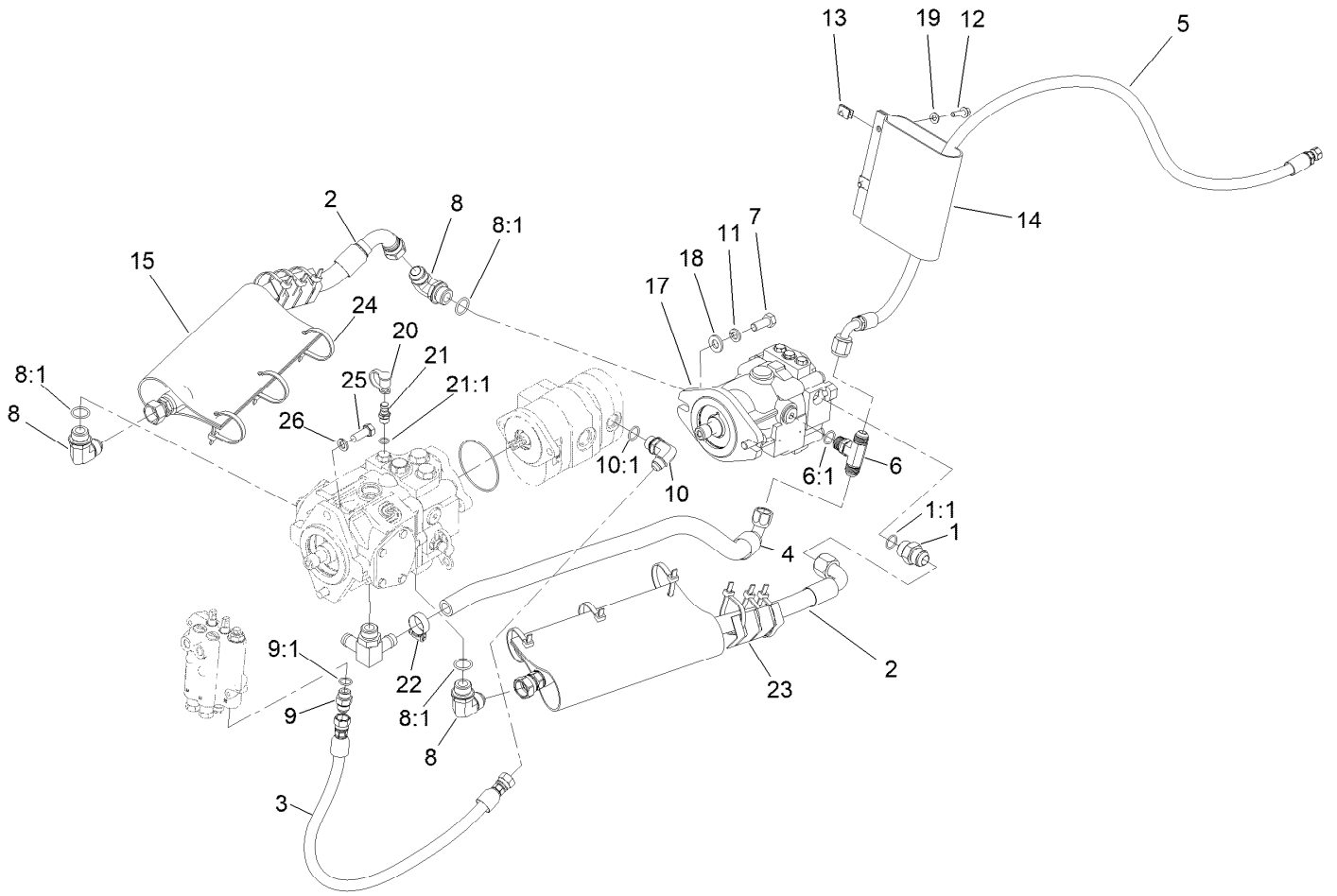


Hydraulic Variable Pump Assembly No. AU239918A1 (continued)

<i>Ref.</i>	<i>Part Number</i>	<i>Qty.</i>	<i>Description</i>	<i>Ref.</i>	<i>Part Number</i>	<i>Qty.</i>	<i>Description</i>
1	110-6499	1	Trunnion Cover ASM	17	84-0480	1	Poppet-Relief, Charge
1:1	110-6478	1	Seal-Lip	18	94-9415	2	Plug ASM
2	69-3170	2	Ring-Retaining	18:1		1	O-Ring ●
3	75-0460	1	Bearing-Ball	19	127-6226	1	Coupling
4	69-3200	2	Ring-Retaining	20	107-4377	1	Seal-A, Pad
5	110-6471	1	Seal-Lip	21	107-4378	1	Cover
6	95-4400	1	Washer-Backup	22	69-3400	2	Screw
7	84-0440	1	Cover-Trunnion	23	910643	1	Seal Kit
8	110-6483	2	Bearing Kit	23:1		1	Seal-Lip ●
9	69-3130	2	Plug	23:2		1	Gasket-End Cap ●
10	112-0151	8	Screw	23:3		2	O-Ring ●
11	127-6247	1	Cylinder Block Kit	23:4		2	O-Ring ●
12	127-6228	2	Valve-Solenoid, Check	23:5		1	O-Ring ●
13	88-8210	2	Plug	23:6		2	O-Ring ●
14	110-6486	1	Plug-Relief, Charge	23:7		1	O-Ring ●
14:1	28-3570	1	O-Ring	23:8		1	R-Ring ●
15	92-1353	1	Shim Kit	23:9		1	Seal-Lip ●
16	110-6474	1	Spring	23:10		2	O-Ring ●

● Not serviced separately

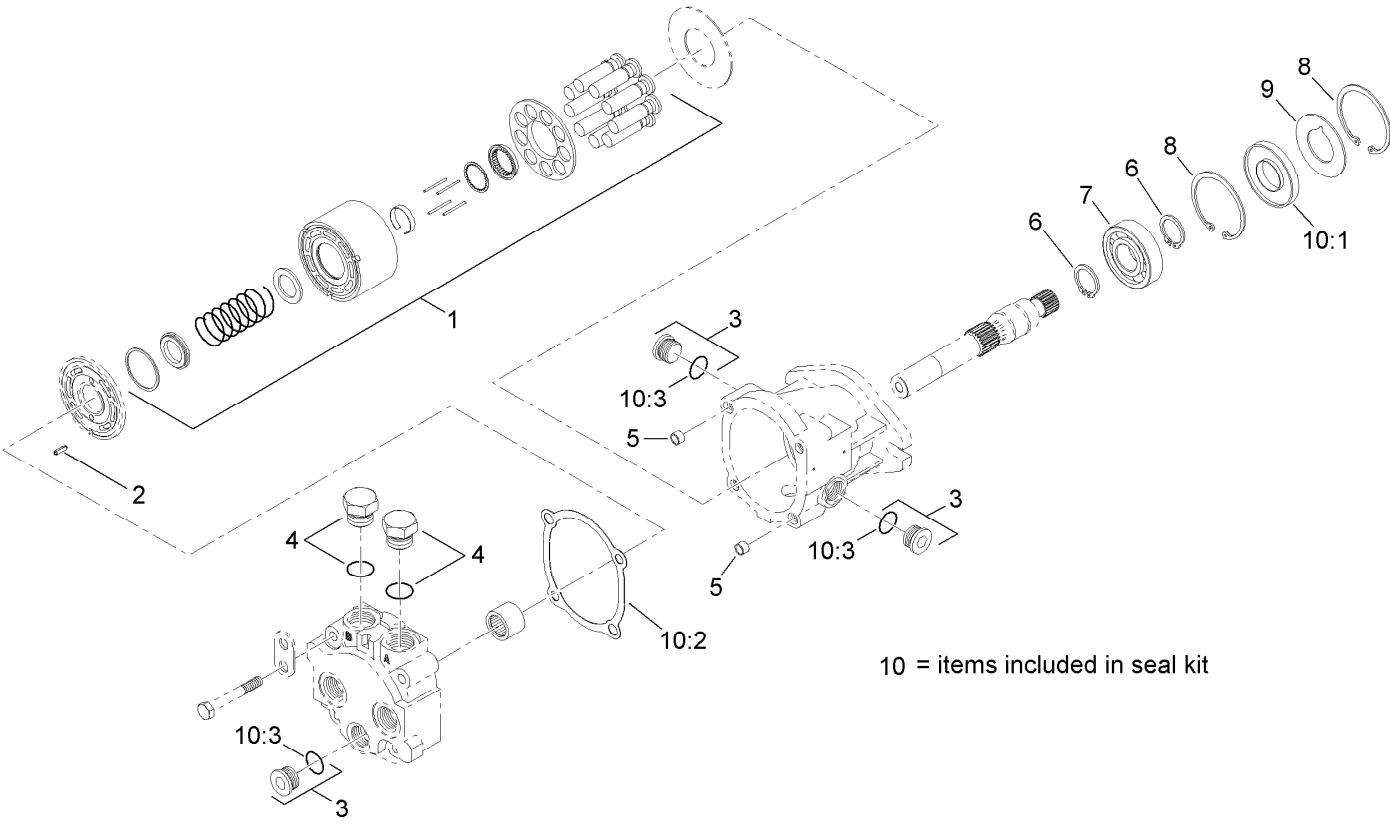
Hydraulic Plumbing Assembly



Hydraulic Plumbing Assembly (continued)

<i>Ref.</i>	<i>Part Number</i>	<i>Qty.</i>	<i>Description</i>	<i>Ref.</i>	<i>Part Number</i>	<i>Qty.</i>	<i>Description</i>
1	AU218-5064	1	Fitting-Straight	12	3234-29	2	Screw-HHF
1:1	237-81	1	O-Ring	13	115-7721	2	Nut-Clip, U
2	125-8549	2	Hose (Pump To Reg Valve)	14	AU107409	1	Boot-Hose
3	127-1003	1	Hose ASM	15	AU123989A1	2	Boot-Hose
4	131-0694	1	Hose-ASM	17	AU239920A2	1	HYD Piston Motor ASM
5	131-0695	1	Hose-ASM	18	AUH274894	2	Washer
6	131-0693	1	Fttg-Tee	19	3256-23	2	Washer-Plain
6:1	237-80	1	O-Ring	20	354-79	2	Cap-Dust
7	325-5	2	Screw-HH	21	59-7410	2	Fitting-Diagnostic
8	353-369	3	Fitting-Elbow, 90 DEG	21:1	237-42	1	O-Ring
8:1	237-81	1	O-Ring	22	2412-129	1	Clamp-Hose
9	353-388	1	Fitting-Straight	23	AU112950	2	Protector-Hose
9:1	237-79	1	O-Ring	24	3334-945	12	Tie-Cable
10	353-426	1	Fitting-90 DEG	25	33116-030	2	Screw-HH
10:1	237-80	1	O-Ring	26	48-8070	2	Washer-Lock
11	3253-7	2	Washer-Lock				

Hydraulic Piston Motor Assembly No. AU239920A2

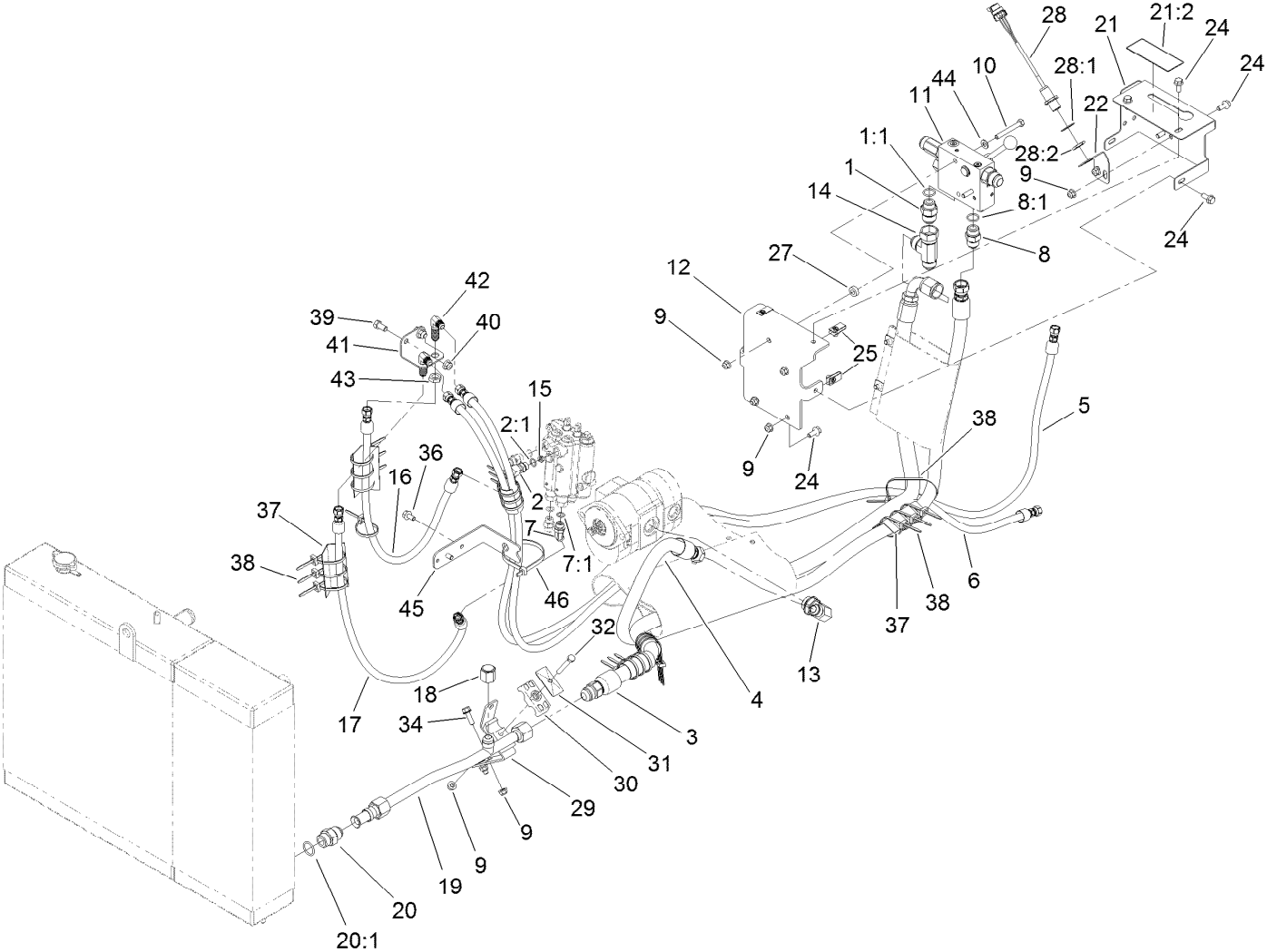


Hydraulic Piston Motor Assembly No. AU239920A2 (continued)

<i>Ref.</i>	<i>Part Number</i>	<i>Qty.</i>	<i>Description</i>	<i>Ref.</i>	<i>Part Number</i>	<i>Qty.</i>	<i>Description</i>
1	127-6247	1	Cylinder Block Kit	8	69-3200	2	Ring-Retaining
2	83-3880	1	Pin-Spring	9	95-4400	1	Washer-Backup
3	125-5303	3	Plug ASM	10	127-6246	1	Seal Kit
4	69-3130	2	Plug	10:1	69-3190	1	Seal-Lip
5	69-3230	1	Pin-Spring	10:2		1	Gasket-Cap, End ●
6	69-3170	2	Ring-Retaining	10:3		3	O-Ring ●
7	75-0460	1	Bearing-Ball				

● Not serviced separately

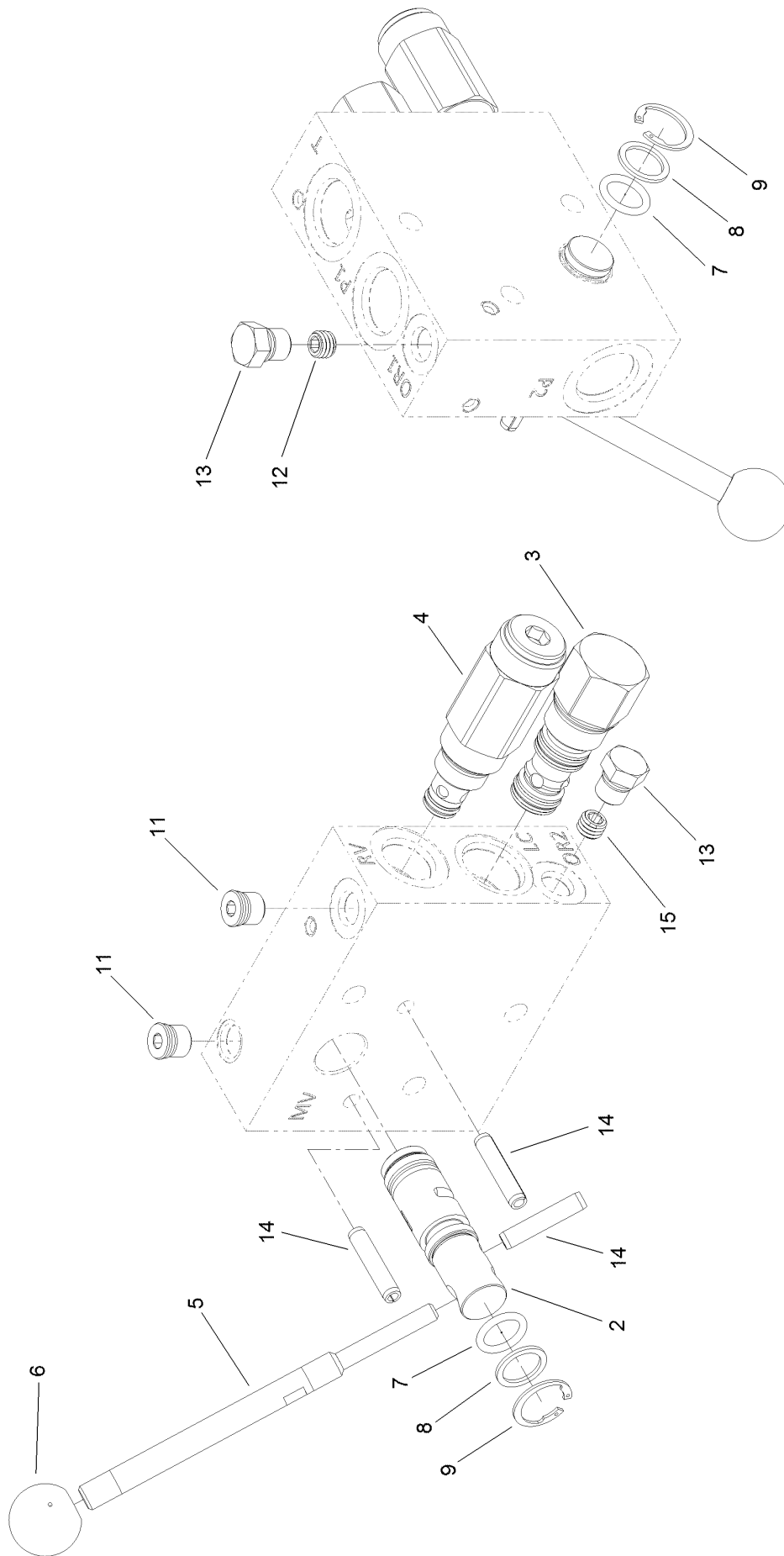
Hydraulic Plumbing Assembly No. 2



Hydraulic Plumbing Assembly No. 2 (continued)

<i>Ref.</i>	<i>Part Number</i>	<i>Qty.</i>	<i>Description</i>	<i>Ref.</i>	<i>Part Number</i>	<i>Qty.</i>	<i>Description</i>
1	01-201-3290	2	Fitting-Straight	21	130-4344	1	Cover Plate ASM
1:1	237-80	1	O-Ring	21:2	127-1822	1	Decal-Vibe Plow Control
2	103-1802	1	Fitting-Elbow, 90 DEG	22	130-4298	1	Plate-Sensor
2:1	237-42	1	O-Ring	24	3234-47	8	Screw-HHF
3	130-4323	1	Hose ASM	25	AUH346650	4	Nut-U Type
4	127-1004	1	Hose ASM	27	104-1156	2	Spacer
5	130-7365	1	Hose ASM	28	115-5300	1	Proximity Switch ASM
6	130-7366	1	Hose ASM	28:1	117-3207	2	Nut-Hex
7	353-212	1	Fitting-Elbow, 45 DEG	28:2	117-3208	2	Washer-Lock, Internal Tooth
7:1	237-42	1	O-Ring	29	130-7364	1	Bracket-Tube
8	353-385	1	Fitting-Straight	30	94-8105	2	Clamp-Tube
8:1	237-80	1	O-Ring	31	69-9761	1	Plate-Cover
9	104-8300	9	Nut-HF, NI	32	322-11	1	Screw-HH
10	120-2812	2	Screw-HH	34	3234-29	2	Screw-HHF
11	127-6591	1	Valve-Control, Vibe Plow	36	33104-016	2	Screw-HHF
12	130-4296-01	1	Plate-Valve, Plow	37	AU112950	6	Protector-Hose
13	AU218-5119	1	Adaptor-Elbow	38	3290-378	22	Tie-Cable
14	AU218-5221	1	Fitting-Tee	39	323-4	2	Screw-HH
15	AUH757815	1	Orifice	40	104-8301	2	Nut-HF, NI
16	127-1015	1	Hose ASM	41	130-7368-03	1	Plate-Bulkhead
17	127-1016	1	Hose ASM	42	130-7370	2	Union-Bulkhead, Elbow 90
18	AU218-756	1	Fitting-Cap	43	AU218-1254	2	Nut-Lock, Bulkhead
19	130-7354	1	HYD Tube ASM	44	3256-23	2	Washer-Plain
20	AU218-5064	1	Fitting-Straight	45	130-7423	1	Bracket-Hose
20:1	237-81	1	O-Ring	46	3334-945	1	Tie-Cable

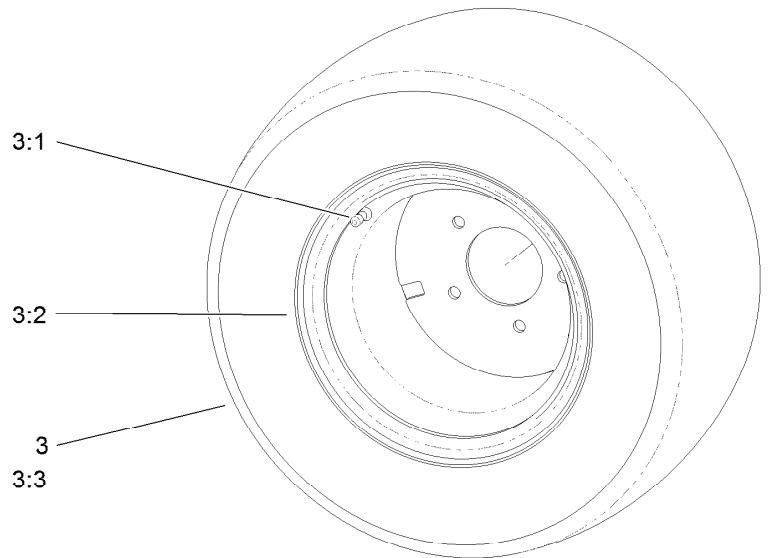
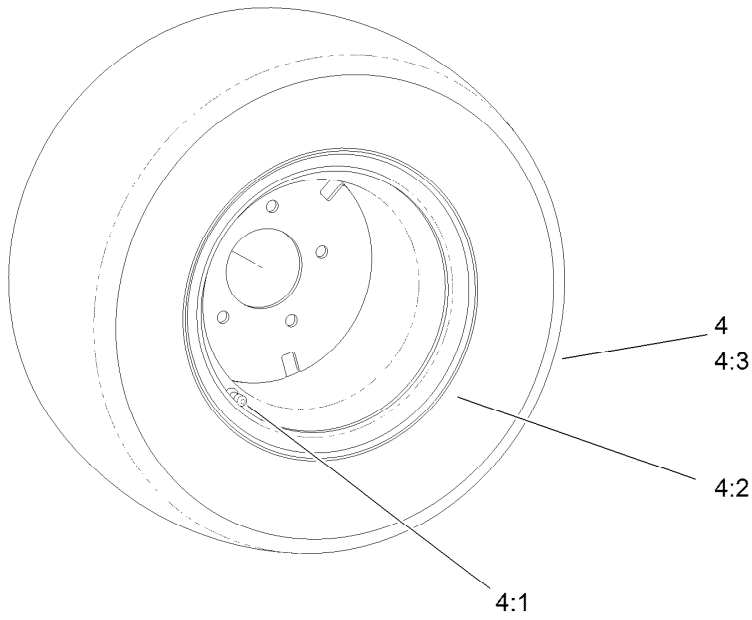
Control Valve Assembly No. 127-6591



Control Valve Assembly No. 127-6591 (continued)

<i>Ref.</i>	<i>Part Number</i>	<i>Qty.</i>	<i>Description</i>	<i>Ref.</i>	<i>Part Number</i>	<i>Qty.</i>	<i>Description</i>
2	132-8755	1	Spool-Rotary	9	112-6532	2	Ring-Retaining
3	132-8754	1	Spool-Logic	11	112-9212	2	Plug
4	132-8753	1	Valve-Relief	12	110-8883	1	Plug-Orifice (0.040)
5	132-8752	1	Handle-Spool	13	117-0115	2	Plug
6	131-2700	1	Knob-Ball, Plastic	14	112-6531	3	Pin-Spring
7	117-4606	2	O-Ring	15	132-8751	1	Plug-Orifice(0.015)
8	112-6534	2	Ring-Back Up				

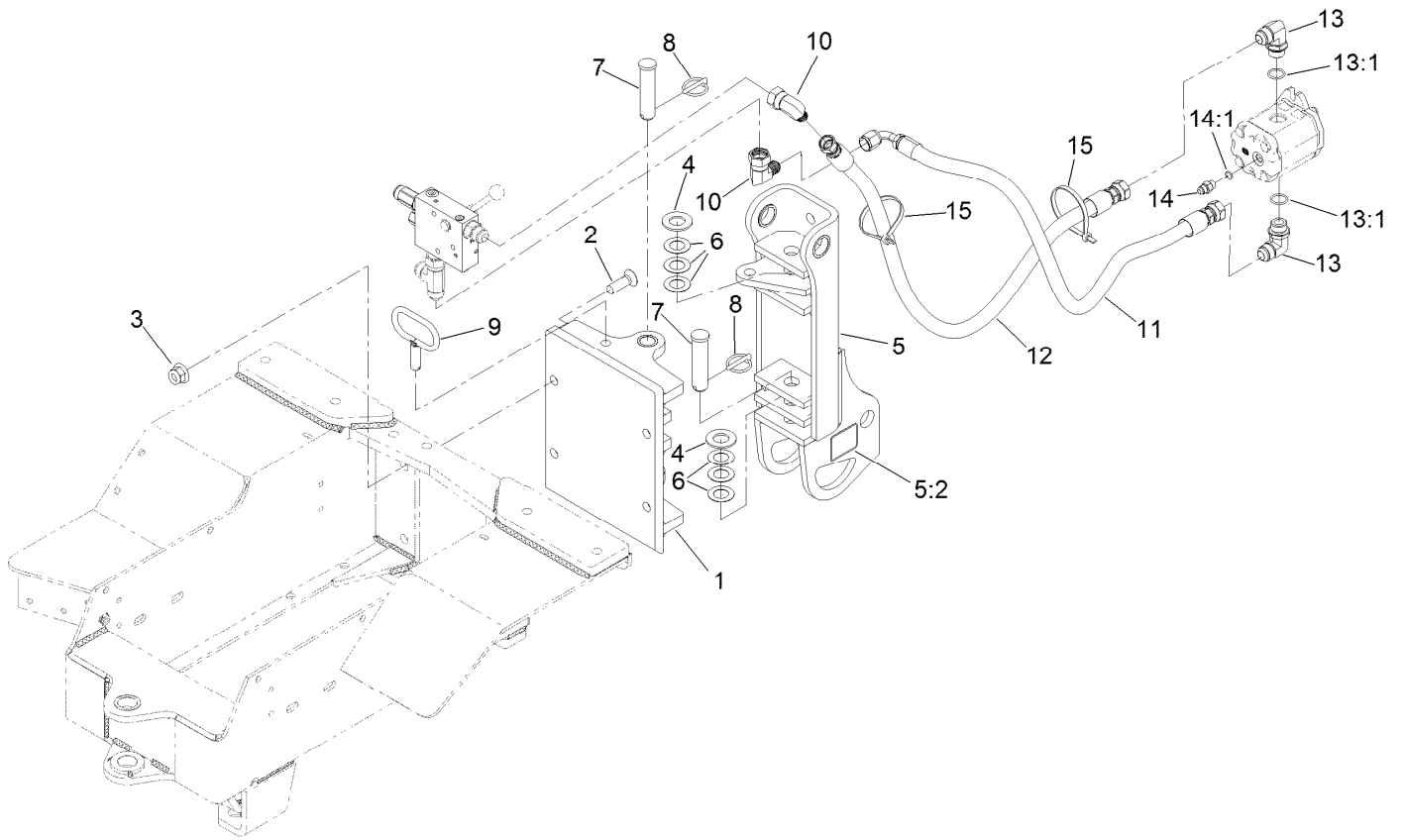
23 Inch Wheel and Tire Assembly



23 Inch Wheel and Tire Assembly (continued)

<i>Ref.</i>	<i>Part Number</i>	<i>Qty.</i>	<i>Description</i>	<i>Ref.</i>	<i>Part Number</i>	<i>Qty.</i>	<i>Description</i>
3	125-8504	2	RH Wheel And Tire ASM	4	125-8505	2	LH Wheel And Tire ASM
3:1	232-27	1	Stem-Valve	4:1	232-27	1	Stem-Valve
3:2	125-8502	1	Wheel	4:2	125-8502	1	Wheel
3:3	125-8503	1	Tire	4:3	125-8503	1	Tire

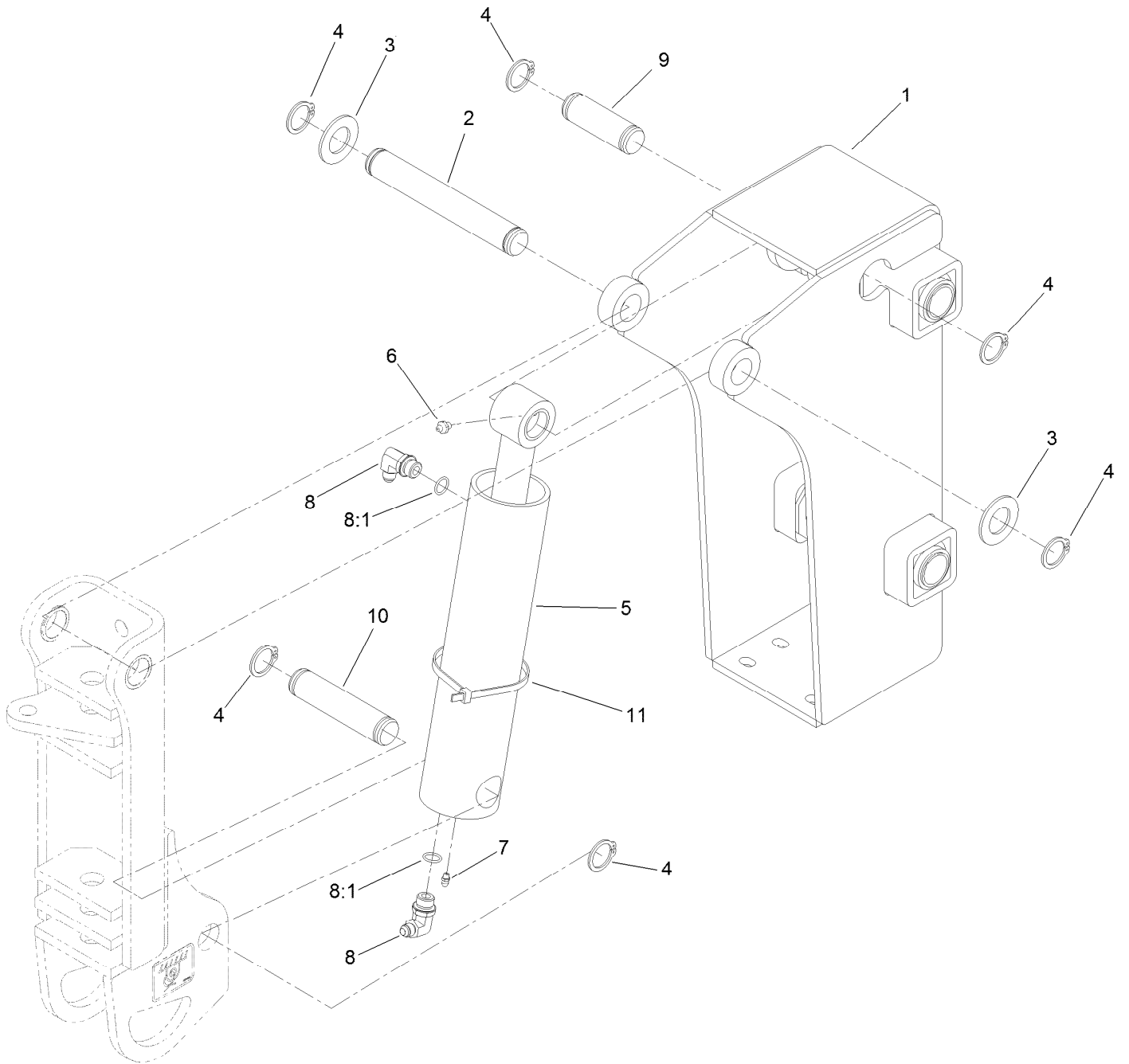
Plow Pivot and Quick Attach Slide Assembly



Plow Pivot and Quick Attach Slide Assembly (continued)

<i>Ref.</i>	<i>Part Number</i>	<i>Qty.</i>	<i>Description</i>	<i>Ref.</i>	<i>Part Number</i>	<i>Qty.</i>	<i>Description</i>
1	AU107916-03	1	Slide-Quick Attach	9	125-8535	1	Lock-Swing
2	AU107931	4	Screw-HSFH	10	AU218-5377	2	Fitting-Elbow, 90
3	AU100529	4	Nut-HHF	11	127-1019	1	Hose ASM
4	AU495-11106	2	Washer-Flat	12	127-1020	1	Hose ASM
5	127-1044	1	Pivot ASM	13	353-369	2	Fitting-Elbow, 90 DEG
5:2	125-6694	2	Decal-Tie Down	13:1	237-81	1	O-Ring
6	AU195-81015	6	Washer-Flat	14	353-384	1	Fitting-Straight
7	AU113192A1	2	Pin-Pivot	14:1	237-42	1	O-Ring
8	107-3039	2	Pin-Lynch	15	3334-945	2	Tie-Cable

Plow Frame and Plow Cylinder Assembly

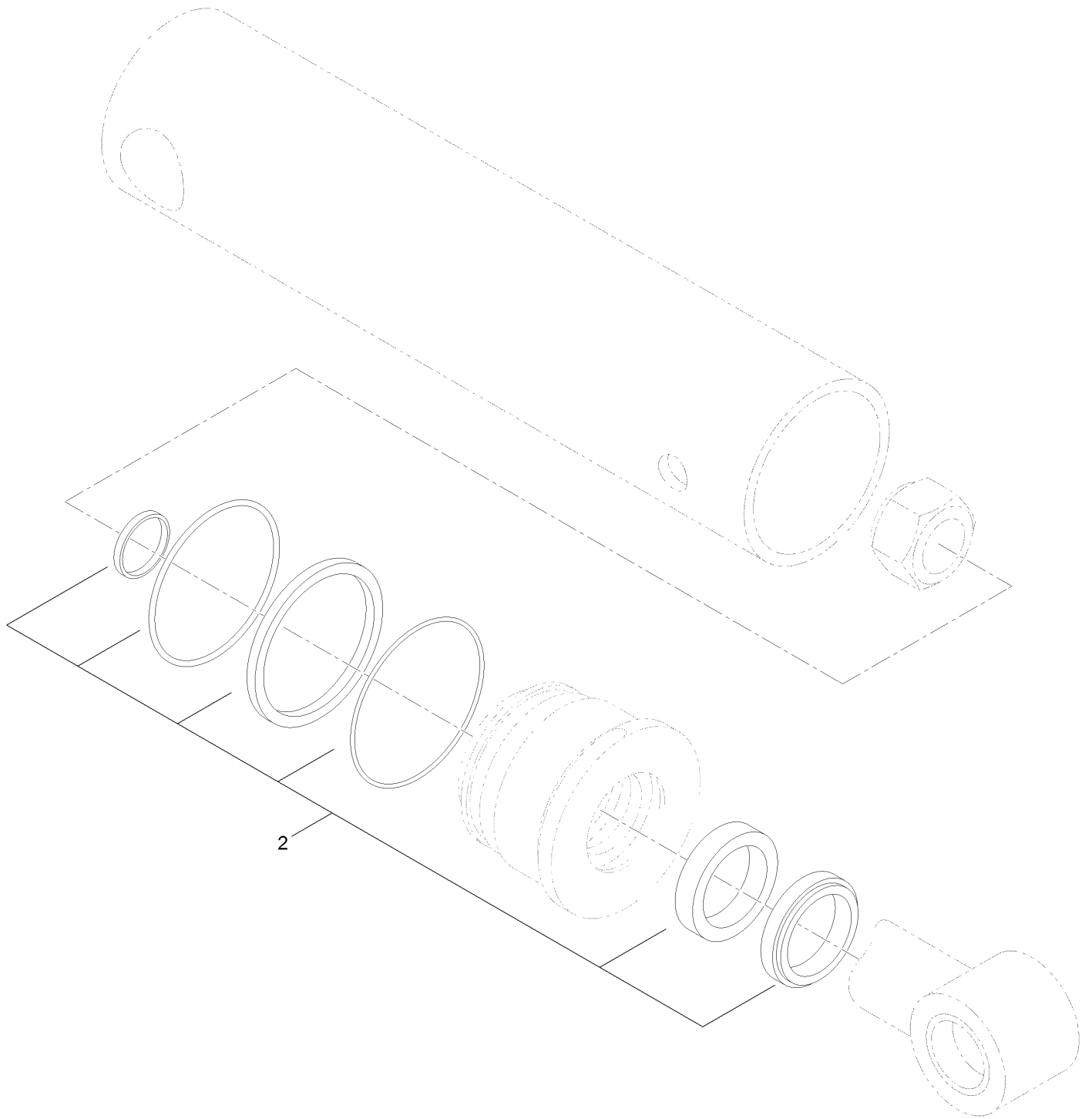


Plow Frame and Plow Cylinder Assembly (continued)

<i>Ref.</i>	<i>Part Number</i>	<i>Qty.</i>	<i>Description</i>	<i>Ref.</i>	<i>Part Number</i>	<i>Qty.</i>	<i>Description</i>
1	136-0227	1	Frame-Lift, Plow ASM	7	302-57	1	Fitting-Grease
2	AUH382457	1	Pin-Lift	8	353-537	2	Fitting-Elbow, 90 DEG
3	AUH113241	2	Washer-10 Gauge	8:1	237-79	1	O-Ring ●
4	32151-77	6	Ring-Retaining, External	9	AUH434556	1	Pin-Clevis
5	AU129434	1	HYD Cylinder ASM	10	AUH434557	1	Pin-Clevis
6	302-2	1	Fitting-Grease	11	3334-945	1	Tie-Cable

● Not illustrated

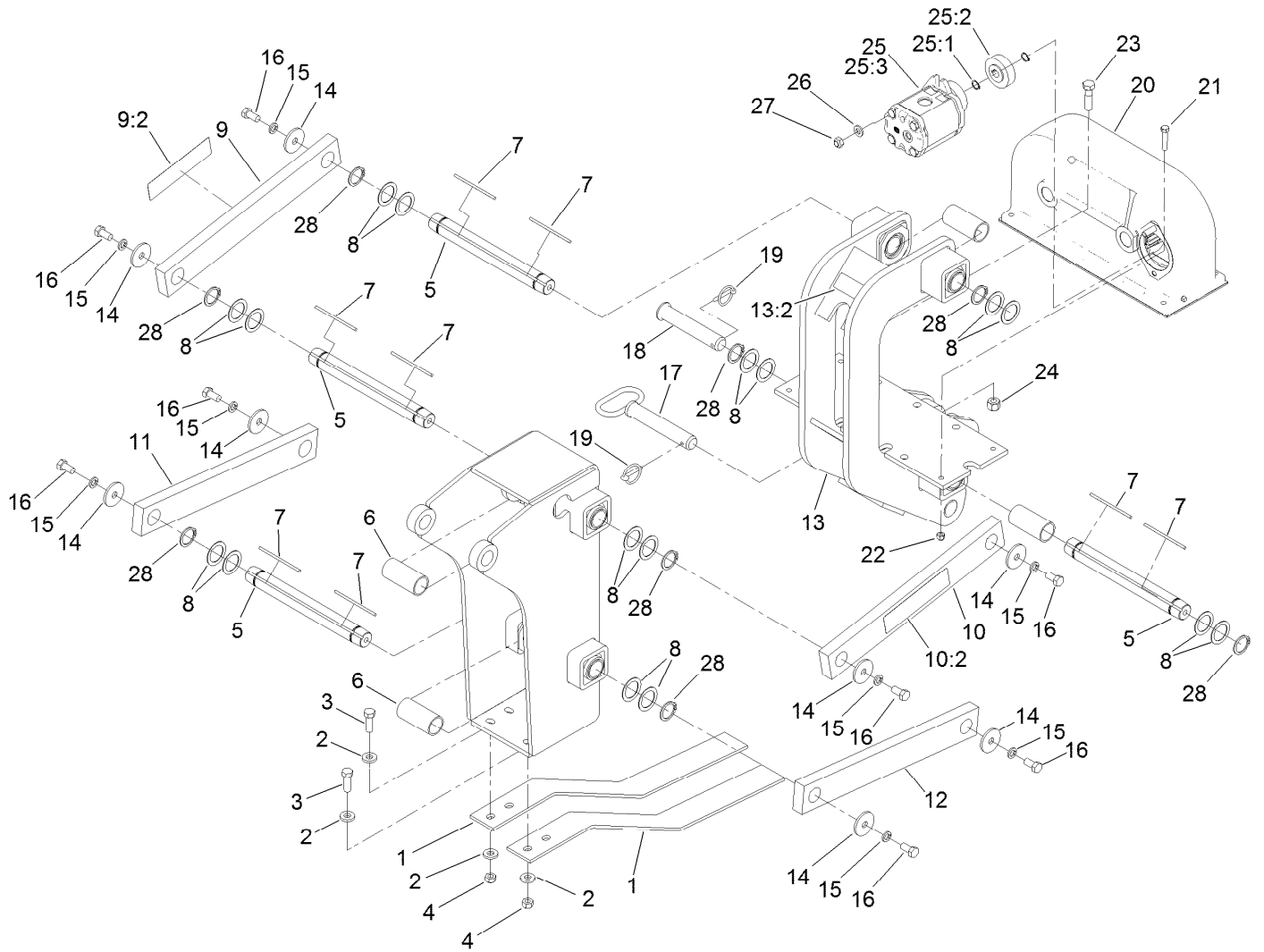
Hydraulic Cylinder Assembly No. AU129434



Hydraulic Cylinder Assembly No. AU129434 (continued)

<i>Ref.</i>	<i>Part Number</i>	<i>Qty.</i>	<i>Description</i>
2	127-1840	1	Seal Kit

Blade Mounting and Transmission Assembly

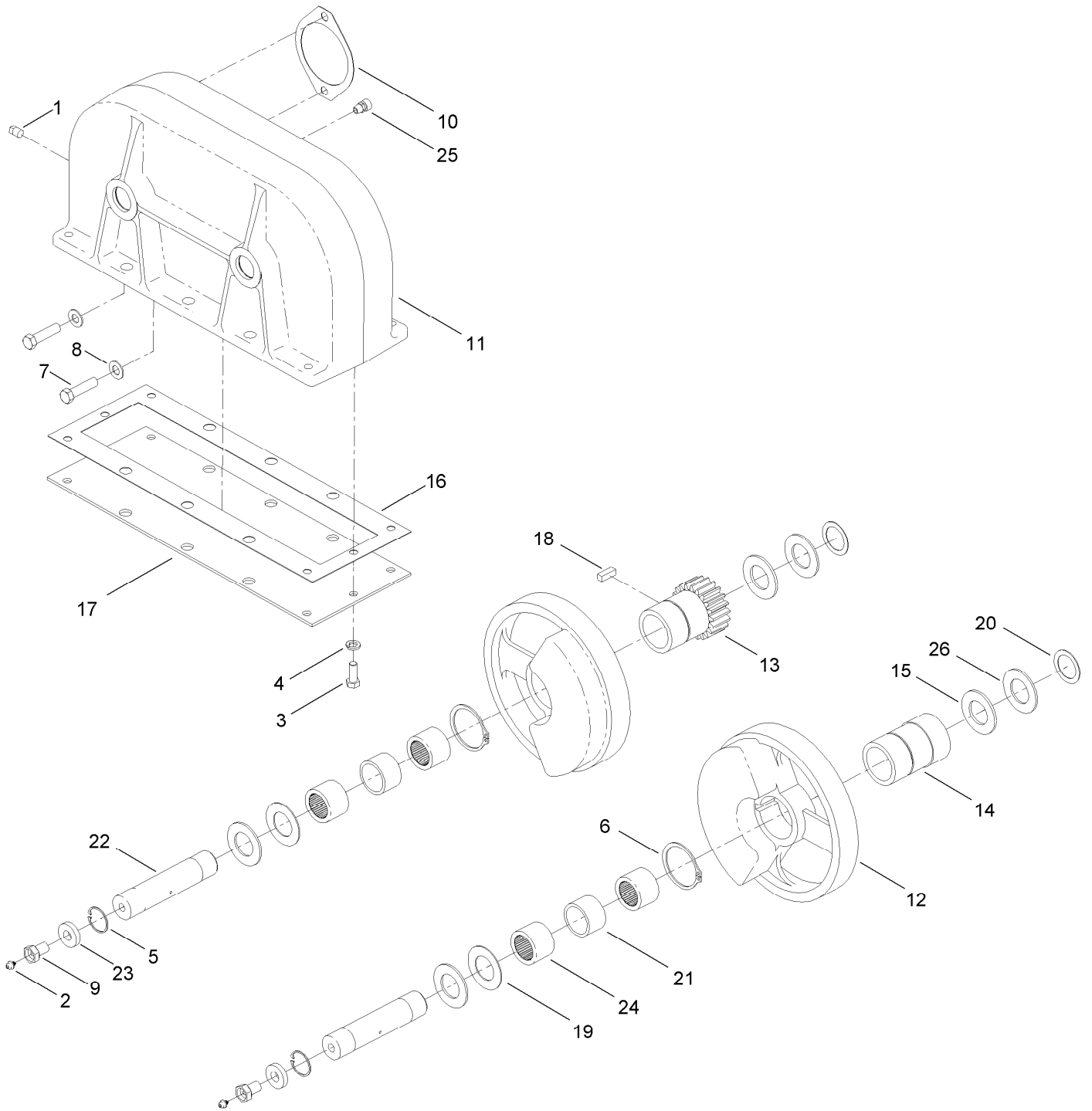


Blade Mounting and Transmission Assembly (continued)

<i>Ref.</i>	<i>Part Number</i>	<i>Qty.</i>	<i>Description</i>	<i>Ref.</i>	<i>Part Number</i>	<i>Qty.</i>	<i>Description</i>
1	AUH436096-03	2	Spring-Shoe	14	75-7730	8	Washer-Thrust
2	107-3395	8	Washer-Hardened	15	3253-7	8	Washer-Lock
3	325-6	4	Screw-HH	16	325-4	8	Screw-HH
4	97-1206	4	Locknut	17	125-8528	1	Pin
5	136-0200	4	Shaft-Arm, Plow	18	AUH393843	1	Pin-Mounting, Blade
6	136-0228-03	4	Tube-Spacer	19	107-3039	2	Pin-Lynch
7	AU116373A1	8	Key-Square	20	AUH530204	1	Gear Case ASM
8	AUH436118	16	Shim-Arm	21	323-52	4	Screw-HH
9	127-1039	1	RH Upper Bar And Decal ASM	22	97-1204	4	Nut-Hex
9:2	125-6684	1	Decal-Danger, Plow	23	AU426-932	6	Bolt
10	127-1040	1	LH Upper Bar And Decal ASM	24	AU232-4119	6	Nut-Hex
10:2	125-6684	1	Decal-Danger, Plow	25		1	HYD Gear Motor ASM ●
11	AUH435952-03	1	Arm-Plow, Lower (RH)	25:1	32151-79	2	Ring-Retaining
12	AUH435953-03	1	Arm-Plow, Lower (LH)	25:2	AUH113282	1	Gear-Mounting, Drive
13	136-0229	1	Blade-Mounting W Decal	25:3	AU109170A1	1	Gear Motor ASM
13:2	125-6671	1	Decal-Danger	26	87-7480	2	Washer
				27	32152-9	2	Nut-Hex
				28	32151-10	8	Ring-Retaining

● Not serviced separately

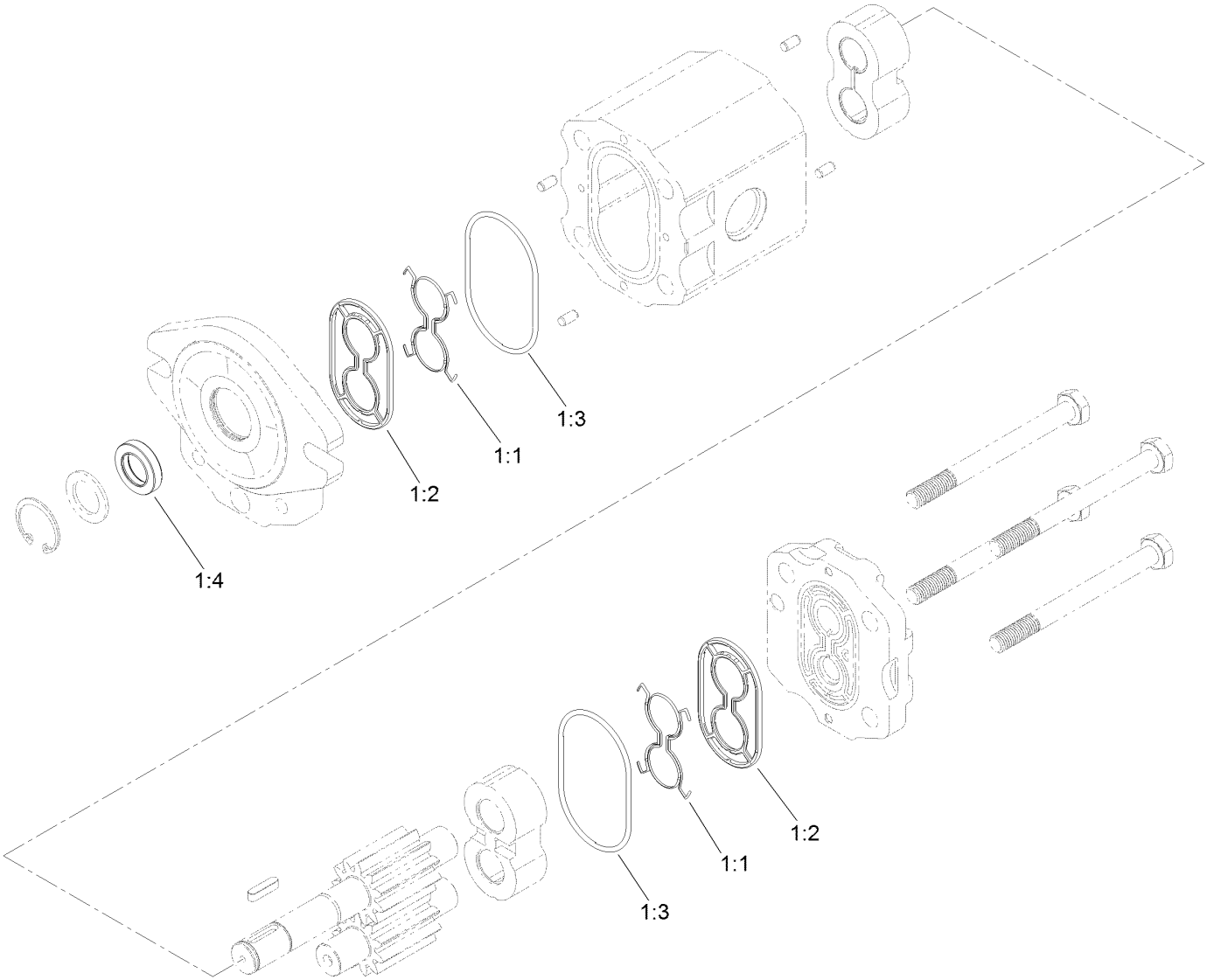
Gear Case Assembly No. AUH530204



Gear Case Assembly No. AUH530204 (continued)

<i>Ref.</i>	<i>Part Number</i>	<i>Qty.</i>	<i>Description</i>	<i>Ref.</i>	<i>Part Number</i>	<i>Qty.</i>	<i>Description</i>
1	281-7	1	Cap-Pipe	14	AUH113233	1	Hub-Bearing
2	302-63	2	Fitting-Grease, Zerk	15	AUH113241	2	Washer-10 Gauge
3	323-6	2	Screw-HH	16	AUH113266	1	Gasket-Gearbox
4	3253-21	2	Washer-Lock	17	AUH113274-03	1	Plate-Cover
5	32151-51	2	Ring-Retaining	18	AUH120550	1	Key-Sq
6	AU103-11225	2	Ring-Retaining	19	AUH159160	2	Washer-Thrust
7	AU113-372	2	Screw-HH	20	AUH357517	2	Washer
8	AU495-11047	2	Washer-Flat	21	AUH369496	2	Spacer
9	AUD136218	2	Adapter-Locating	22	AUH436788	2	Pin-Bearing
10	AUH032375	1	Gasket	23	AUH436789	2	Washer-Flat, Stepped
11	AUH113209-03	1	Case-Gear	24	AUH748210	4	Bearing-Pitch Line
12	AUH113217	2	Gear	25	AUL33264	1	Vent-Air
13	AUH113225	1	Hub-Drive, Bearing	26	AUH126201	4	Washer-Thrust

Hydraulic Gear Motor Assembly No. AU109170A1



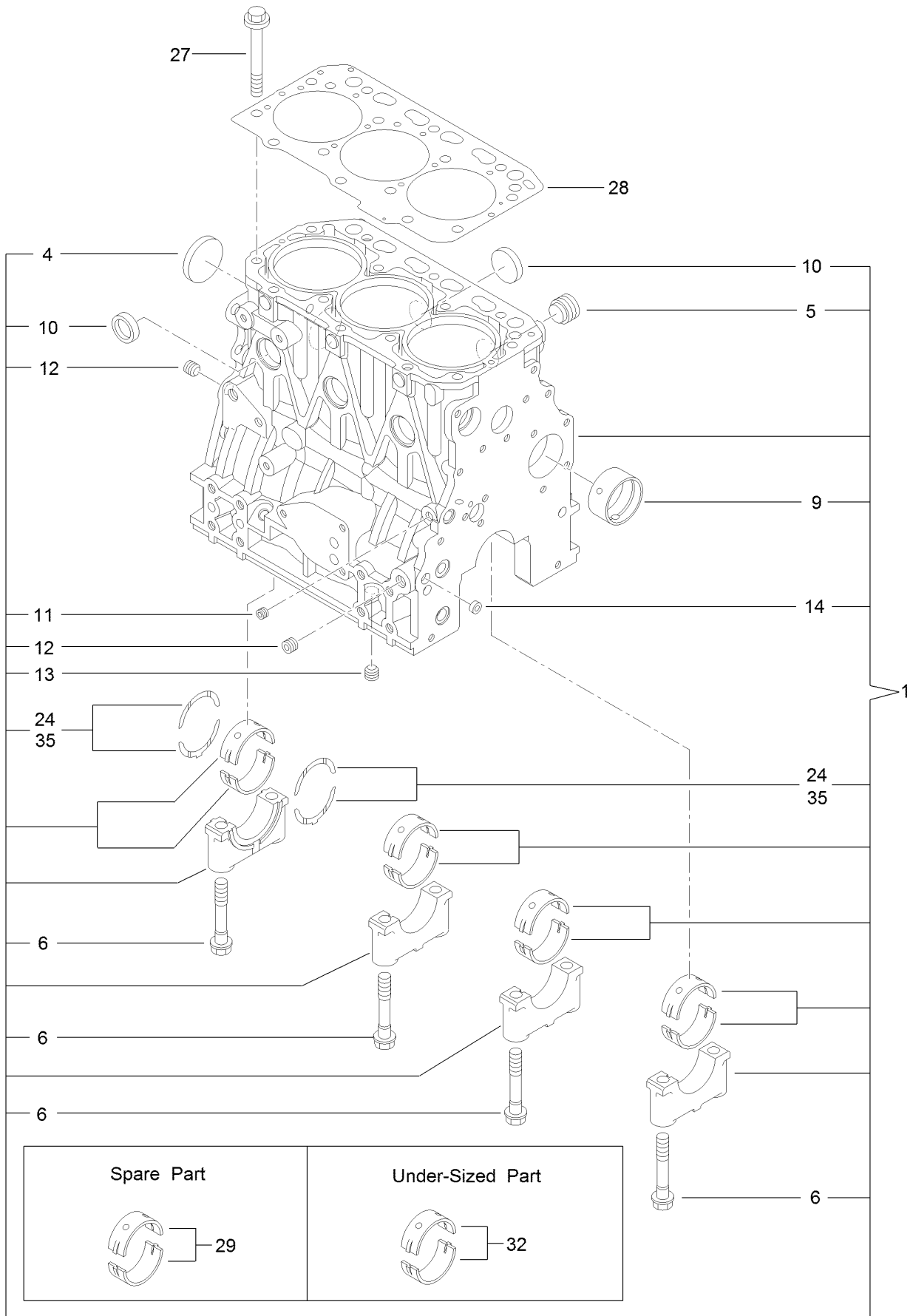
1 = Items Included in Seal Kit

Hydraulic Gear Motor Assembly No. AU109170A1 (continued)

<i>Ref.</i>	<i>Part Number</i>	<i>Qty.</i>	<i>Description</i>	<i>Ref.</i>	<i>Part Number</i>	<i>Qty.</i>	<i>Description</i>
1	104-4284	1	Seal Kit	1:3		2	O-Ring ●
1:1		2	Seal ●	1:4		1	Seal-Lip, Shaft ●
1:2		2	Seal-Pressure ●				

● Not serviced separately

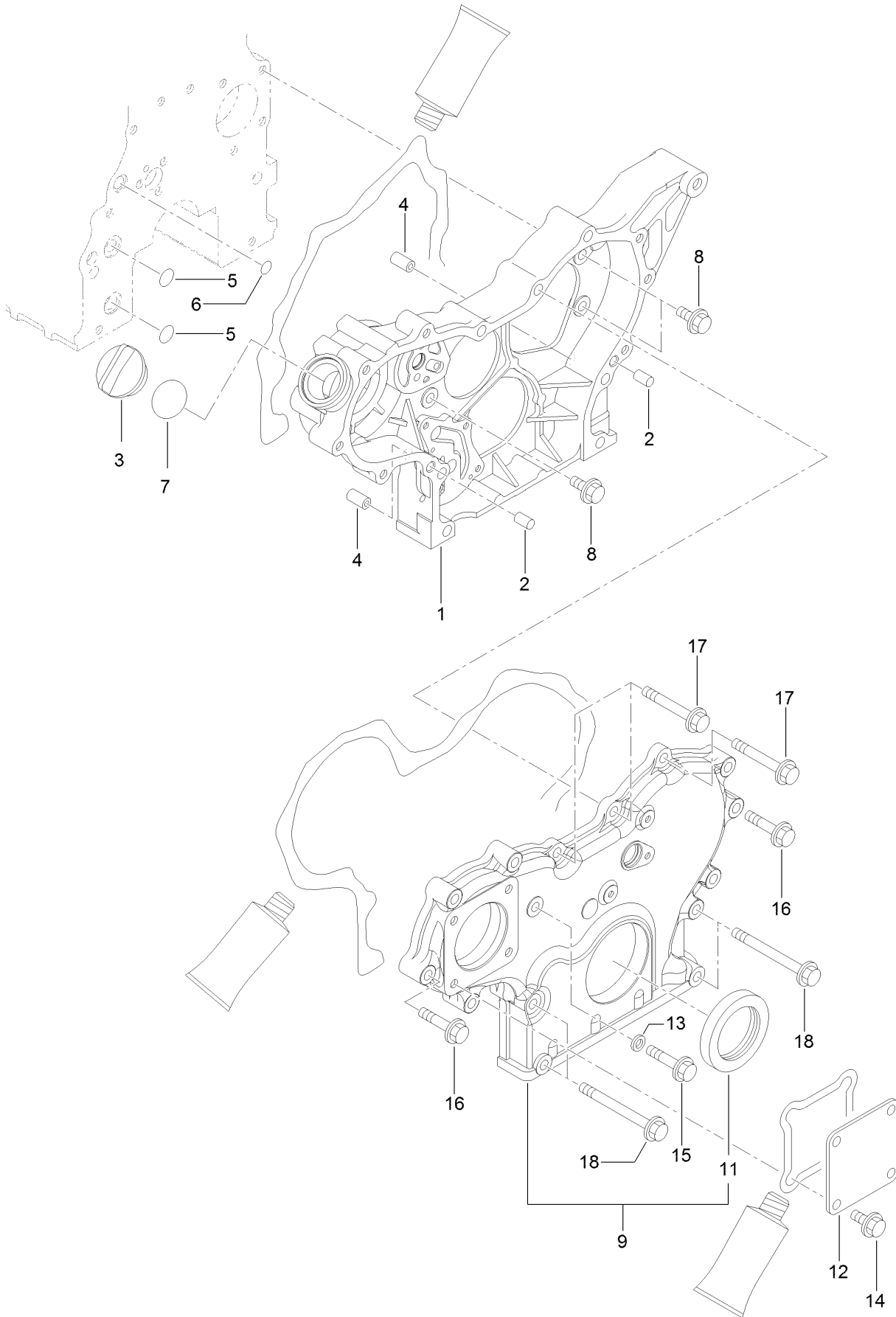
Cylinder Block Assembly



Cylinder Block Assembly (continued)

<i>Ref.</i>	<i>Part Number</i>	<i>Qty.</i>	<i>Description</i>	<i>Ref.</i>	<i>Part Number</i>	<i>Qty.</i>	<i>Description</i>
1	127-4717	1	Cylinder Block ASM	13	125-6973	1	Plug
4	125-6980	1	Plug	14	125-7237	1	Plug
5	125-7170	1	Plug	24	125-7010	2	Metal-Thrust
6	125-7007	8	Bolt	27	125-7006	14	Bolt
9	125-7108	1	Bushing	28	127-4716	1	Head Gasket ASM
10	125-7239	6	Plug	29	125-6981	4	Metal-Main
11	125-6969	1	Plug	32	125-7009	4	Metal-Main (0.25)
12	125-6973	2	Plug	35	125-7011	1	Metal-Thrust (0.25)

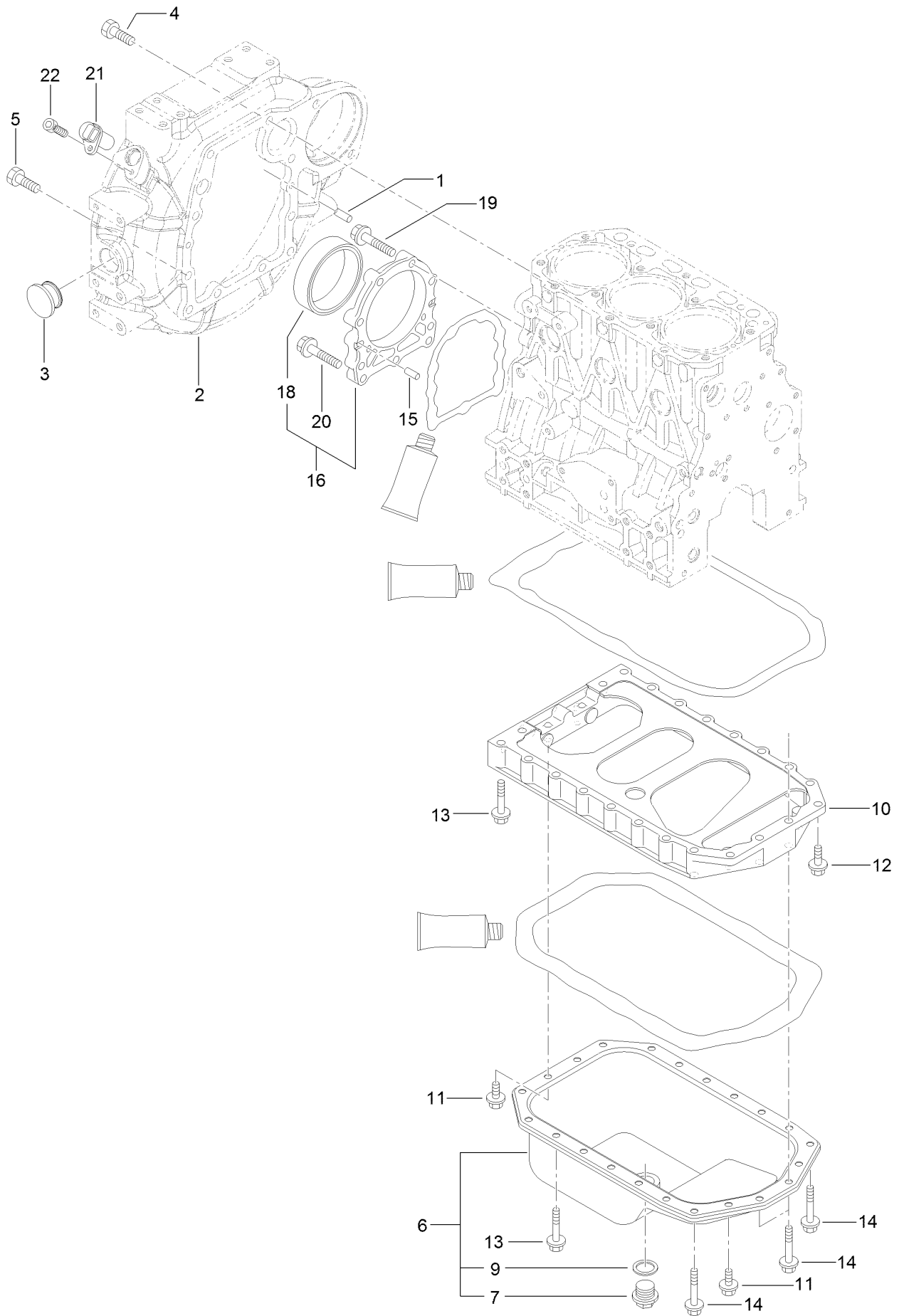
Gear Housing Assembly



Gear Housing Assembly (continued)

<i>Ref.</i>	<i>Part Number</i>	<i>Qty.</i>	<i>Description</i>	<i>Ref.</i>	<i>Part Number</i>	<i>Qty.</i>	<i>Description</i>
1	127-3023	1	Case-Gear	11	125-6944	1	Seal-Oil
2	125-6995	2	Pin	12	125-6977	1	Cover
3	125-6972	1	Cover-Filler	13	125-7174	1	Washer-Seal
4	125-7107	2	Pipe	14	100-6928	4	Bolt
5	125-6909	2	O-Ring	15	125-7217	1	Bolt
6	127-2973	1	O-Ring	16	125-7218	7	Bolt
7	125-7197	1	O-Ring	17	125-7222	3	Bolt
8	100-6928	3	Bolt	18	125-7224	4	Bolt
9	127-3024	1	Gearcase Cover ASM				

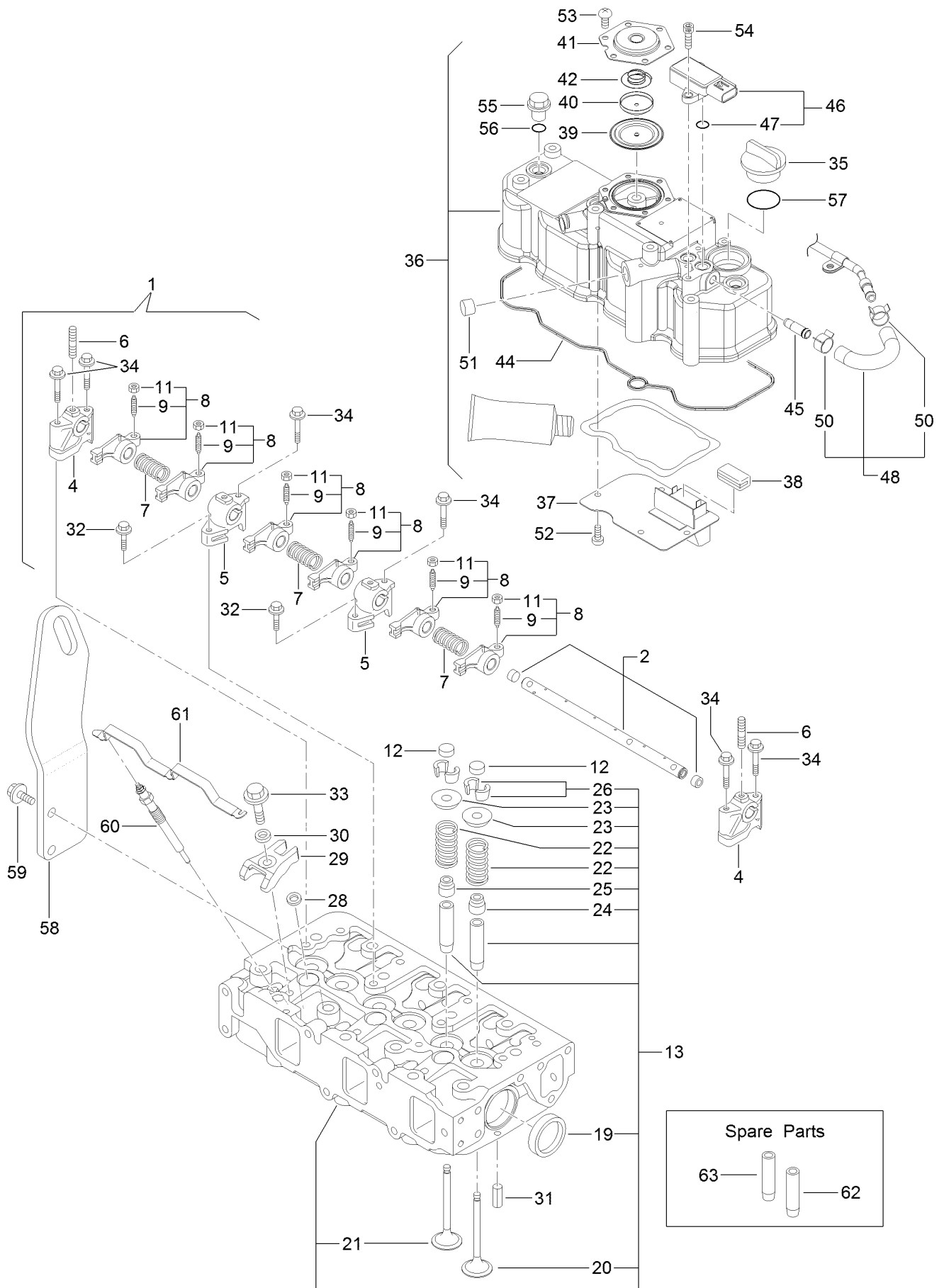
Flywheel Housing and Oil Sump Assembly



Flywheel Housing and Oil Sump Assembly (continued)

<i>Ref.</i>	<i>Part Number</i>	<i>Qty.</i>	<i>Description</i>	<i>Ref.</i>	<i>Part Number</i>	<i>Qty.</i>	<i>Description</i>
1	125-6995	2	Pin	12	125-7215	2	Bolt
2	127-3025	1	Housing-Flywheel	13	125-7219	16	Bolt
3	125-6910	1	Cap	14	125-7220	4	Bolt
4	125-7226	6	Bolt	15	125-6995	2	Pin
5	125-7227	4	Bolt	16	125-6996	1	Case ASM
6	127-4711	1	Oil Pan ASM	18	125-7106	1	Seal-Oil
7	125-6912	1	Plug-Drain	19	125-7045	6	Bolt
9	125-7177	1	Washer-Seal	20	125-7217	3	Bolt
10	127-3756	1	Spacer	21	127-3062	1	Sensor-Rev, Flywheel
11	100-6928	4	Bolt	22	127-3184	1	Bolt

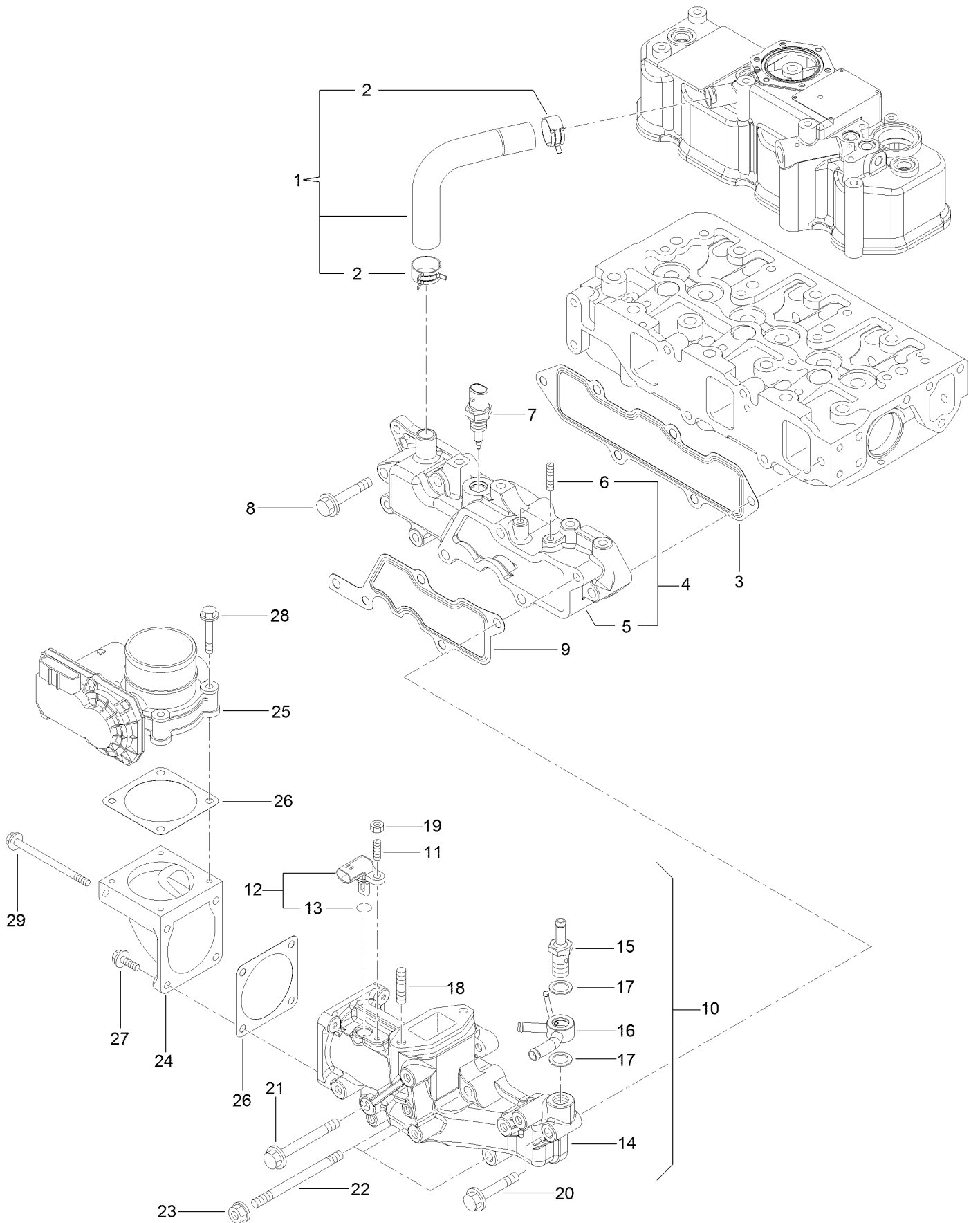
Cylinder Head and Cover Assembly



Cylinder Head and Cover Assembly (continued)

<i>Ref.</i>	<i>Part Number</i>	<i>Qty.</i>	<i>Description</i>	<i>Ref.</i>	<i>Part Number</i>	<i>Qty.</i>	<i>Description</i>
1	127-3757	1	Shaft ASM	36	127-4719	1	Cylinder Head Cover ASM
2	127-3758	1	Shaft	37	127-2988	1	Plate
4	127-2974	2	Support	38	125-7012	1	Baffle
5	127-2975	2	Support	39	125-6959	1	Diaphragm
6	127-3759	3	Stud	40	125-6960	1	Plate
7	127-2995	3	Spring	41	125-6961	1	Plate-Breather
8	127-2989	6	Arm-Rocker	42	125-6962	1	Spring-Diaphragm
9	125-7013	6	Screw-Adjust, Valve	44	127-3856	1	Gasket-Valve Cover
11	125-7014	6	Nut	45	127-3026	1	Joint
12	127-2996	6	Cap-Valve	46	127-3029	1	Sensor-Pressure
13	127-4720	1	Cylinder Head ASM	47	127-3032	2	O Ring-Sensor, Pressure
19	125-7240	2	Plug	48	127-3040	1	Hose ASM
20	127-2990	3	Valve	50	127-3041	2	Clip-Hose
21	127-4710	3	Valve	51	125-6913	1	Plug
22	127-3012	6	Spring	52	125-7186	4	Screw
23	127-3013	6	Retainer-Spring	53	125-7186	6	Screw
24	127-2986	3	Seal-Stem, Valve	54	127-3184	2	Bolt
25	127-3027	3	Seal-Stem, Valve	55	125-6974	3	Knob
26	127-3186	6	Pin-Cotter	56	93-0418	3	O-Ring
28	127-3021	3	Gasket-Injector	57	125-7197	1	O-Ring
29	127-3028	3	Retainer-Injector	58	130-7429	1	Lifter, Engine
30	127-2980	3	Washer-Injector	59	130-7443	2	Bolt, M8 X 20 Plated
31	125-7184	2	Pin-Spring	60	127-2991	3	Plug-Glow
32	125-7215	2	Bolt	61	127-3768	1	Connector-Plug, Glow
33	125-7217	3	Bolt	62	127-2979	3	Guide
34	125-7220	6	Bolt	63	127-2997	3	Guide-Valve
35	125-6972	1	Cover-Filler				

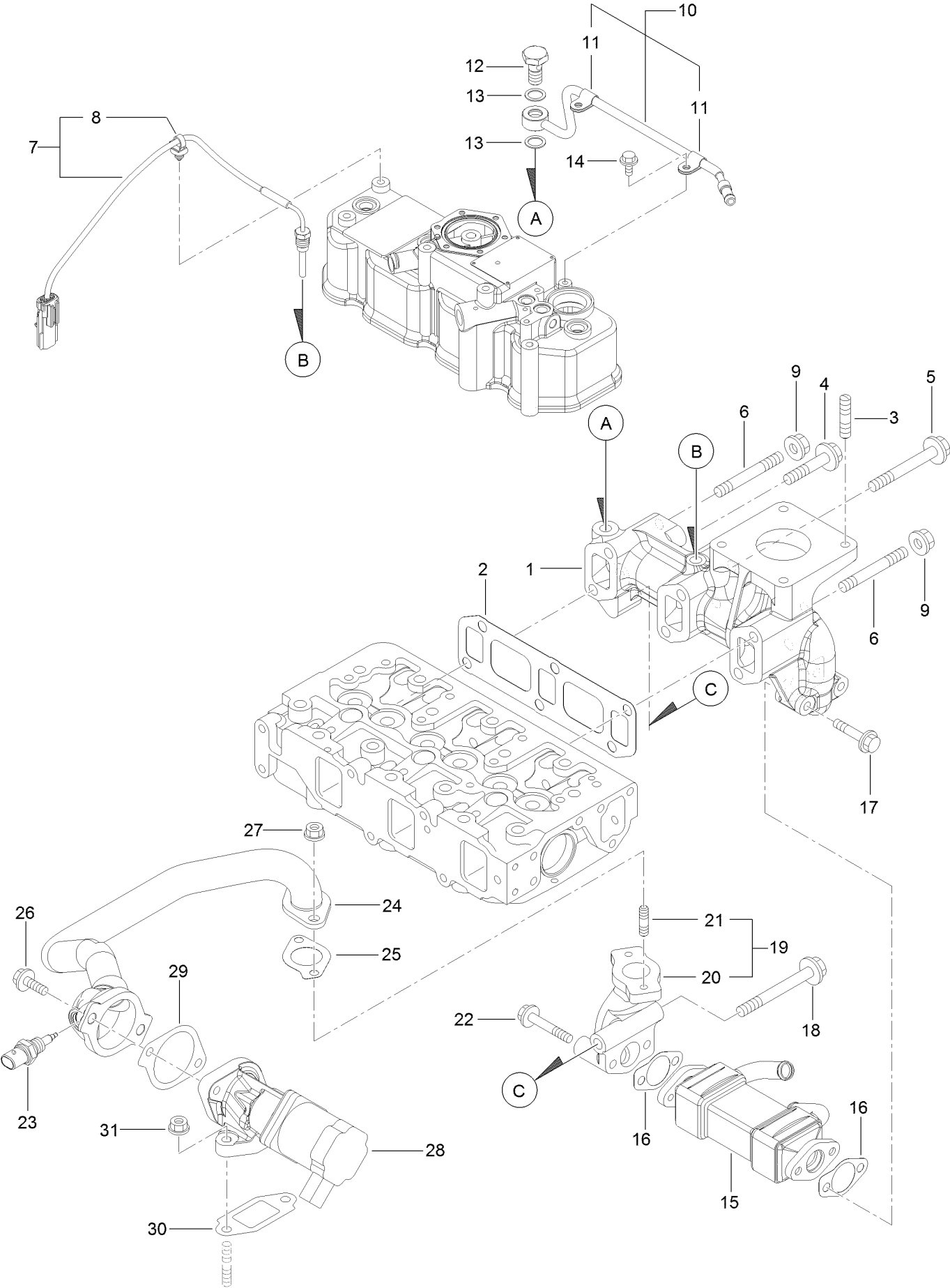
Suction Manifold Assembly



Suction Manifold Assembly (continued)

<i>Ref.</i>	<i>Part Number</i>	<i>Qty.</i>	<i>Description</i>	<i>Ref.</i>	<i>Part Number</i>	<i>Qty.</i>	<i>Description</i>
1	127-4704	1	Pipe	16	127-3081	1	Joint-Hose
2	125-7040	2	Clip-Hose	17	127-3166	2	Washer-Seal
3	127-3857	1	Gasket-Manifold, Intake	18	127-4774	2	Stud
4	127-4722	1	Intake Manifold ASM	19	127-4775	1	Nut
5	127-4721	1	Manifold-Intake	20	125-7220	1	Bolt
6	127-3180	2	Stud	21	127-3178	1	Bolt
7	127-3031	1	Sensor-Temp, Air	22	127-3182	3	Stud
8	125-7220	3	Bolt	23	125-7229	3	Nut
9	127-3034	1	Gasket-Collector	24	127-3035	1	Bend-Inlet
10	127-4725	1	Intake Collector ASM	25	127-3036	1	Body-Throttle
11	127-4701	1	Stud	26	127-3037	2	Gasket-Throttle
12	127-3030	1	Sensor-Temp, Air	27	125-7209	2	Bolt
13	127-3033	1	O-Ring	28	125-7211	4	Bolt
14	127-4724	1	Collector-Intake	29	127-3177	2	Bolt
15	127-3080	1	Joint-Hose				

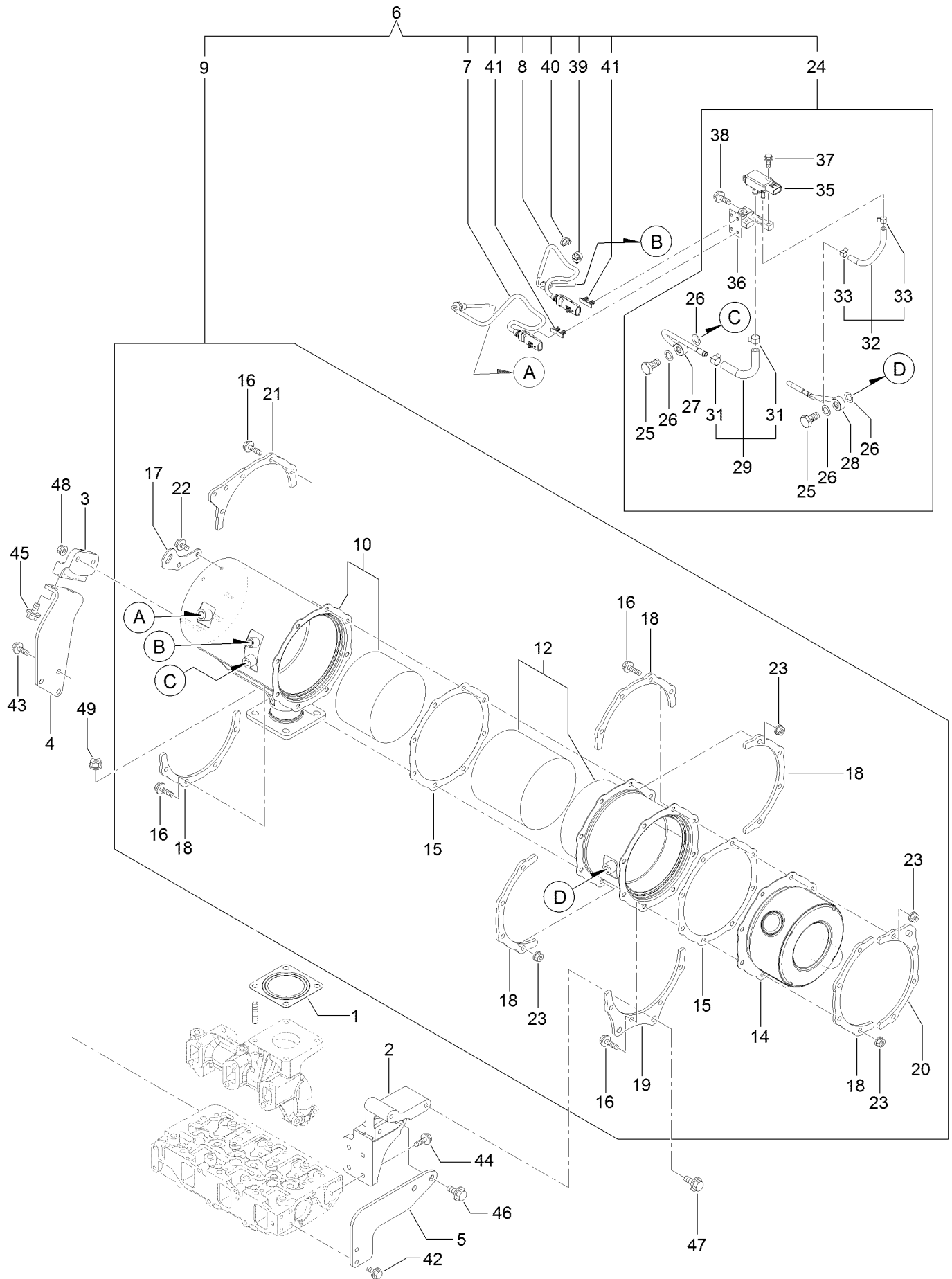
Exhaust Manifold Assembly



Exhaust Manifold Assembly (continued)

<i>Ref.</i>	<i>Part Number</i>	<i>Qty.</i>	<i>Description</i>	<i>Ref.</i>	<i>Part Number</i>	<i>Qty.</i>	<i>Description</i>
1	127-4726	1	Manifold-Exhaust	17	127-2976	2	Bolt
2	127-3775	1	Gasket-Manifold, Exhaust	18	127-3022	1	Bolt-Flange
3	127-2984	4	Stud	19	127-3048	1	E G R Pipe ASM
4	127-3094	1	Bolt	20	127-3049	1	Pipe-Out, E G R
5	127-3044	3	Bolt-M10	21	125-7043	2	Stud
6	127-4756	2	Stud	22	125-7220	2	Bolt
7	127-4729	1	Sensor-Temp, Exhaust	23	127-3047	1	Sensor-Gas Temp, E G R
8	127-3087	1	Band-Clip	24	127-3780	1	E G R Pipe ASM
9	125-7230	2	Nut	25	127-3016	1	Gasket
10	127-3038	1	Exhaust Pipe ASM	26	125-7215	2	Bolt
11	127-3173	2	Clamp	27	125-7229	2	Nut
12	127-3039	1	Bolt-Joint, Pipe	28	127-3781	1	Valve-E G R
13	127-3174	2	Gasket	29	127-3050	1	Gasket-Intake Valve, E G R
14	125-7206	2	Bolt	30	127-3051	1	Gasket-Out Valve, E G R
15	127-3042	1	Cooler-E G R	31	125-7229	2	Nut
16	127-3043	2	Gasket-Cooler, E G R				

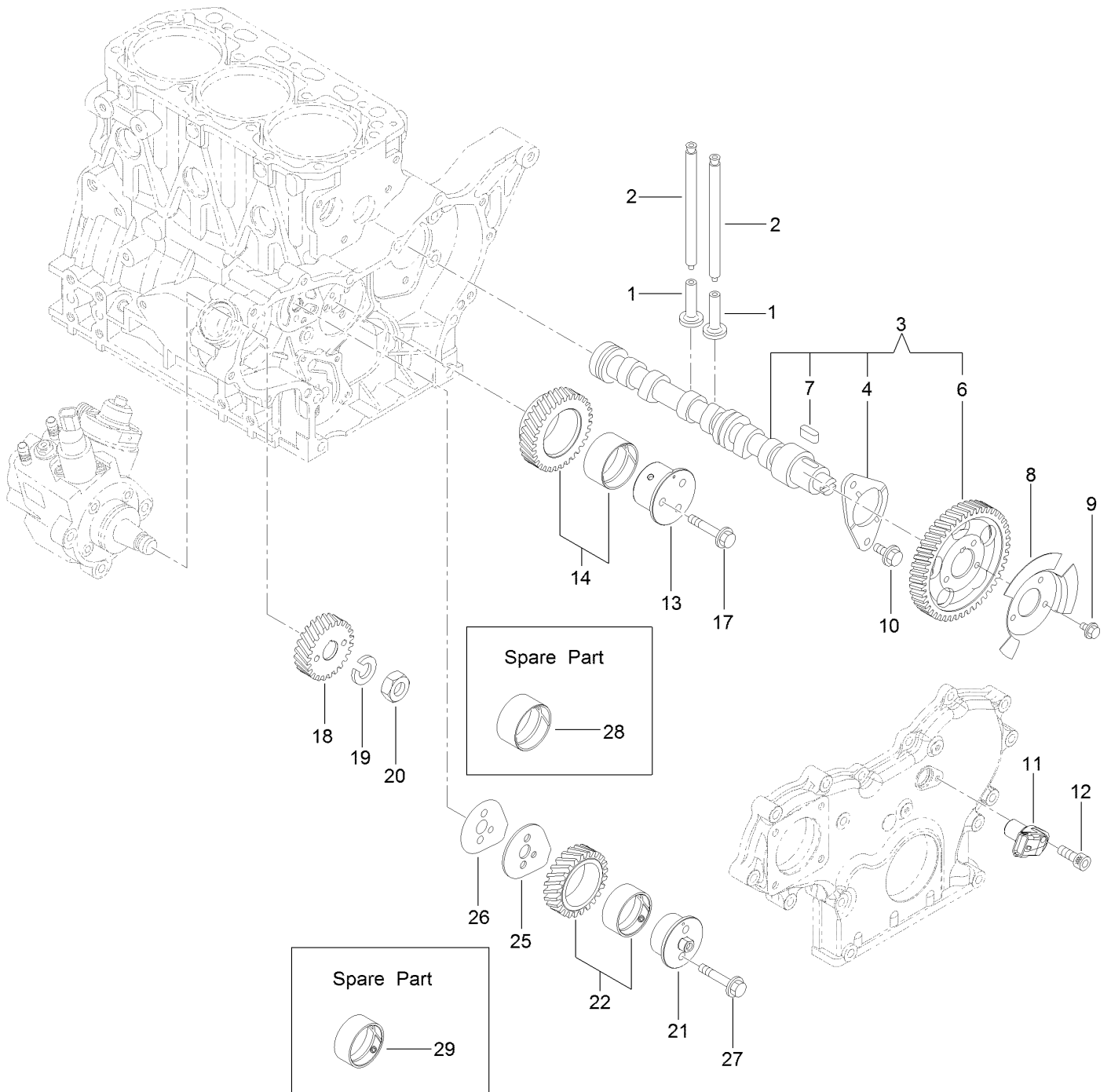
Diesel Particulate Filter Assembly



Diesel Particulate Filter Assembly (continued)

<i>Ref.</i>	<i>Part Number</i>	<i>Qty.</i>	<i>Description</i>	<i>Ref.</i>	<i>Part Number</i>	<i>Qty.</i>	<i>Description</i>
1	127-2987	1	Gasket-Silencer	26	127-3056	4	Gasket-Sensor
2	127-4738	1	Stay-D P F	27	127-4744	1	Sensor Pipe ASM
3	127-4739	1	Stay-D P F	28	127-4745	1	Sensor Pipe ASM
4	127-4740	1	Stay-D P F	29	127-4747	1	Exhaust Hose ASM
5	127-4741	1	Stay-D P F	31	127-3057	2	Clip-Hose
6	127-4760	1	D P F Unit	32	127-4748	1	Exhaust Hose ASM
7	127-4764	1	Sensor-Temp, Exhaust	33	127-3058	2	Clip-Hose
8	127-4765	1	Sensor-Temp, Exhaust	35	127-3060	1	Sensor-Pressure
9	127-4759	1	D P F ASM	36	127-4750	1	Bracket-Sensor
10	127-4732	1	Case-D O C	37	125-7208	2	Bolt
12	127-4734	1	Case-Filter, Soot	38	125-7595	2	Bolt
14	127-3786	1	Silencer-D P F	39	127-3087	1	Band-Clip
15	127-3859	2	Gasket-D P F	40	127-3124	1	Band
16	127-3055	16	Bolt	41	127-3088	2	Clip-Connector
17	127-3788	1	Lifter-D P F	42	100-6928	2	Bolt
18	127-3789	5	Stiffener-D P F, A	43	100-6928	3	Bolt
19	127-4735	1	Stiffener-D P F, B	44	130-7443	4	Bolt, M8 X 20 Plated
20	127-3792	1	Stiffener-D P F, C	45	130-7444	2	Bolt
21	127-4736	1	Stiffener-D P F, C	46	130-7444	2	Bolt
22	125-7213	2	Bolt	47	130-7444	2	Bolt
23	125-7229	16	Nut	48	125-7229	2	Nut
24	127-4743	1	Pressure Sensor Unit	49	125-7230	4	Nut
25	127-3039	2	Bolt-Joint, Pipe				

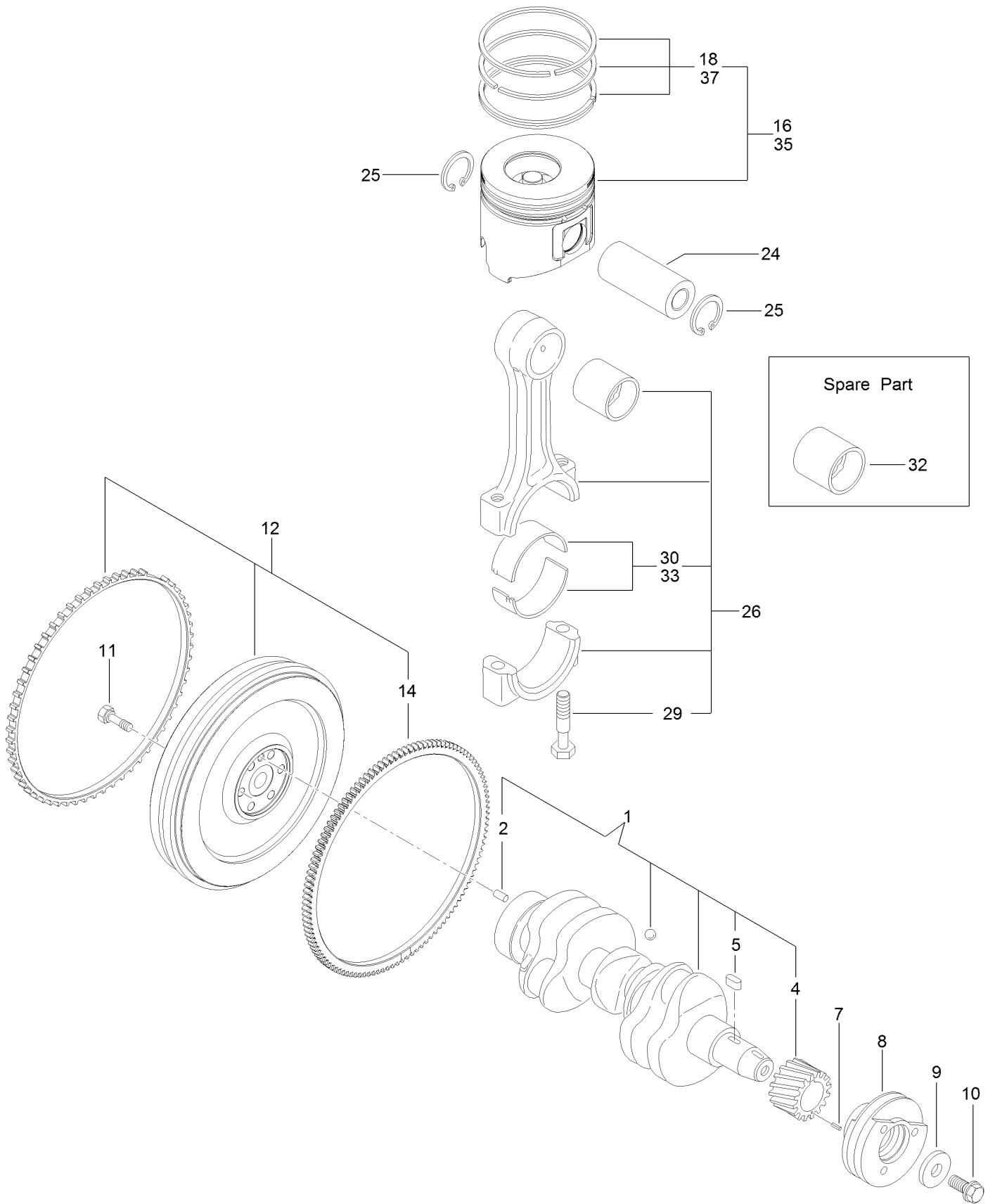
Camshaft and Driving Gear Assembly



Camshaft and Driving Gear Assembly (continued)

<i>Ref.</i>	<i>Part Number</i>	<i>Qty.</i>	<i>Description</i>	<i>Ref.</i>	<i>Part Number</i>	<i>Qty.</i>	<i>Description</i>
1	125-7016	6	Tappet	14	127-3066	1	Idle Gear A ASM
2	125-7017	6	Rod-Push	17	125-7219	3	Bolt
3	127-3797	1	Camshaft ASM	18	127-3070	1	Gear-Pump, Supply
4	125-7008	1	Metal-Thrust	19	127-3167	1	Washer-Spring
6	127-3052	1	Gear-Camshaft	20	127-3185	1	Nut-Lock
7	125-7185	1	Key	21	127-3064	1	Shaft-Idle, Gear B
8	127-3053	1	Pulser-Camshaft	22	127-3067	1	Idle Gear B ASM
9	125-7205	3	Bolt	25	127-3068	1	Plate-Idle, Shaft
10	125-7213	2	Bolt	26	127-3069	1	Gasket-Idle, Shaft B
11	127-3054	1	Sensor-Rev, Gear	27	125-7218	2	Bolt
12	127-3184	1	Bolt	28	125-6927	1	Bushing
13	127-3063	1	Shaft-Idle, Gear A	29	127-3065	1	Bushing

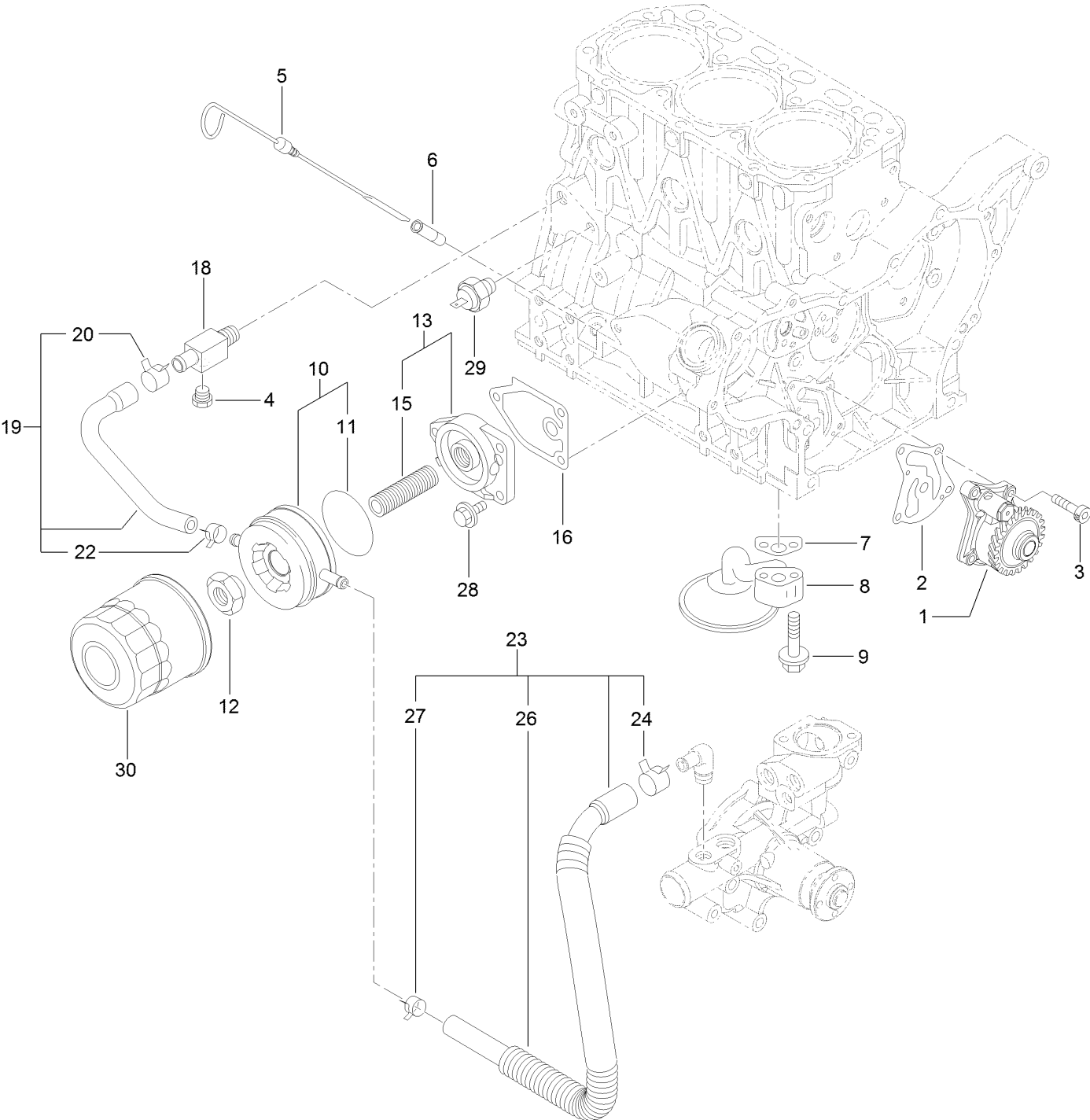
Crankshaft and Piston Assembly



Crankshaft and Piston Assembly (continued)

<i>Ref.</i>	<i>Part Number</i>	<i>Qty.</i>	<i>Description</i>	<i>Ref.</i>	<i>Part Number</i>	<i>Qty.</i>	<i>Description</i>
1	127-3800	1	Crankshaft ASM	16	127-4766	3	Piston ASM
2	125-6995	1	Pin	18	127-4751	3	Piston Ring ASM
4	125-6937	1	Gear	24	125-7030	3	Pin
5	125-7185	1	Key	25	125-7180	6	Ring
7	125-7182	1	Pin-Spring	26	125-7242	3	Connecting Rod ASM
8	127-3801	1	Pulley-V	29	125-6955	6	Bolt
9	125-7109	1	Washer	30	125-7018	3	Pin-Crank
10	125-6956	1	Bolt	32	125-6997	3	Pin-Piston
11	125-6951	6	Bolt	33	125-7019	3	Pin-Crank (.25)
12	127-3802	1	Flywheel ASM	35	127-4767	3	Piston ASM (0.25 O S)
14	125-6943	1	Gear	37	127-4752	3	Ring Set (0.25 O S)

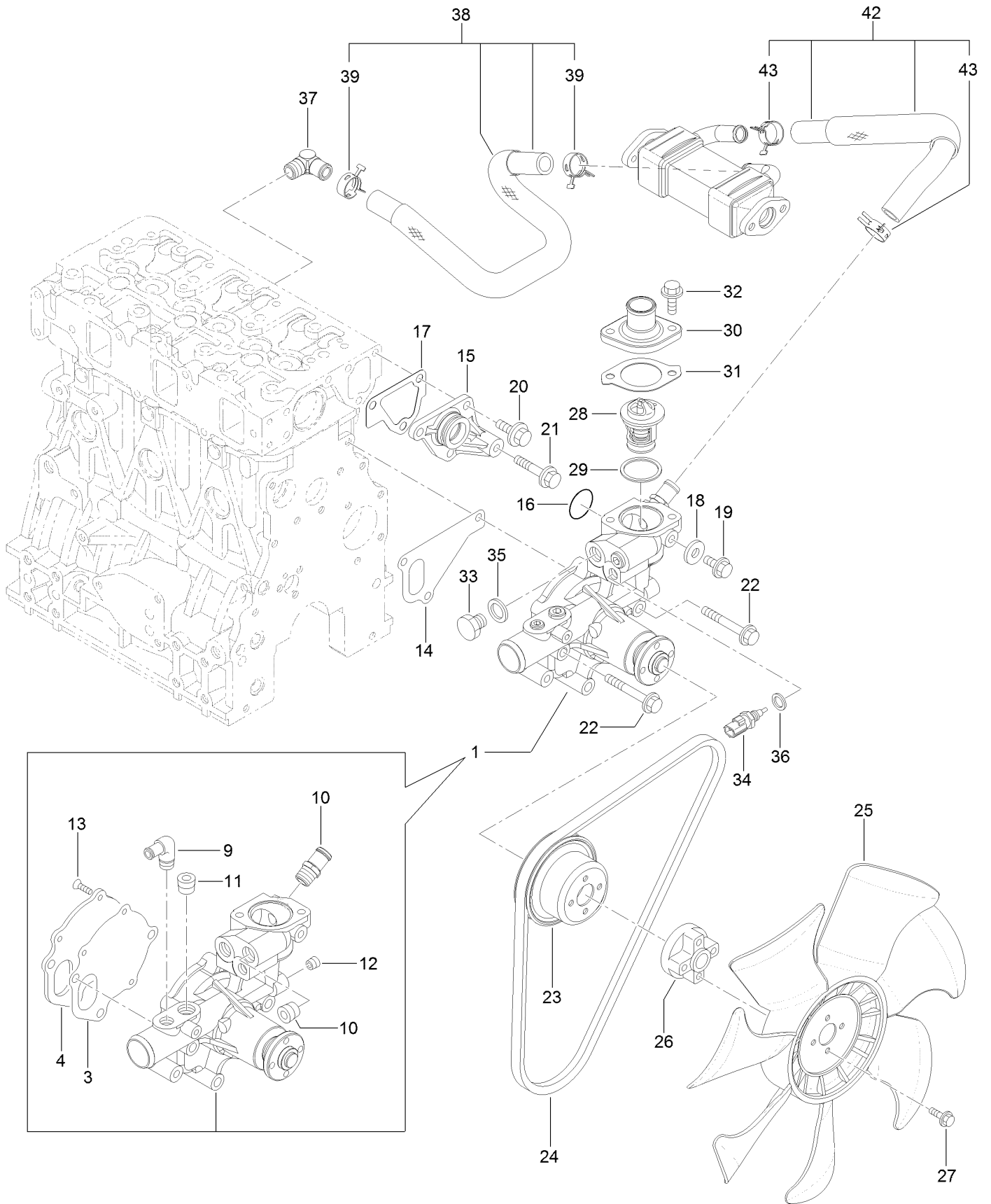
Lubrication and Oil System Assembly



Lubrication and Oil System Assembly (continued)

<i>Ref.</i>	<i>Part Number</i>	<i>Qty.</i>	<i>Description</i>	<i>Ref.</i>	<i>Part Number</i>	<i>Qty.</i>	<i>Description</i>
1	127-4753	1	Oil Pump ASM	15	125-7042	1	Stud
2	127-3004	1	Gasket	16	125-7024	1	Gasket
3	125-7232	4	Bolt	18	125-6990	1	Joint
4	125-7171	1	Plug-Drain	19	125-7078	1	Pipe ASM
5	125-6987	1	Dipstick	20	125-7162	1	Clip
6	125-6954	1	Guide-Dipstick	22	125-7191	1	Clamp-Hose
7	125-7022	1	Gasket	23	127-3804	1	Pipe ASM
8	127-3803	1	Pipe ASM	24	125-7162	1	Clip
9	125-7217	2	Bolt	26	127-3805	1	Tube
10	125-7074	1	Cooler ASM	27	125-7191	1	Clamp-Hose
11	125-7075	1	O-Ring	28	125-7595	3	Bolt
12	125-7041	1	Nut-Cooler, Oil	29	125-6918	1	Switch-Oil
13	125-6989	1	Bracket ASM	30	125-7025	1	Filter-Engine, Oil

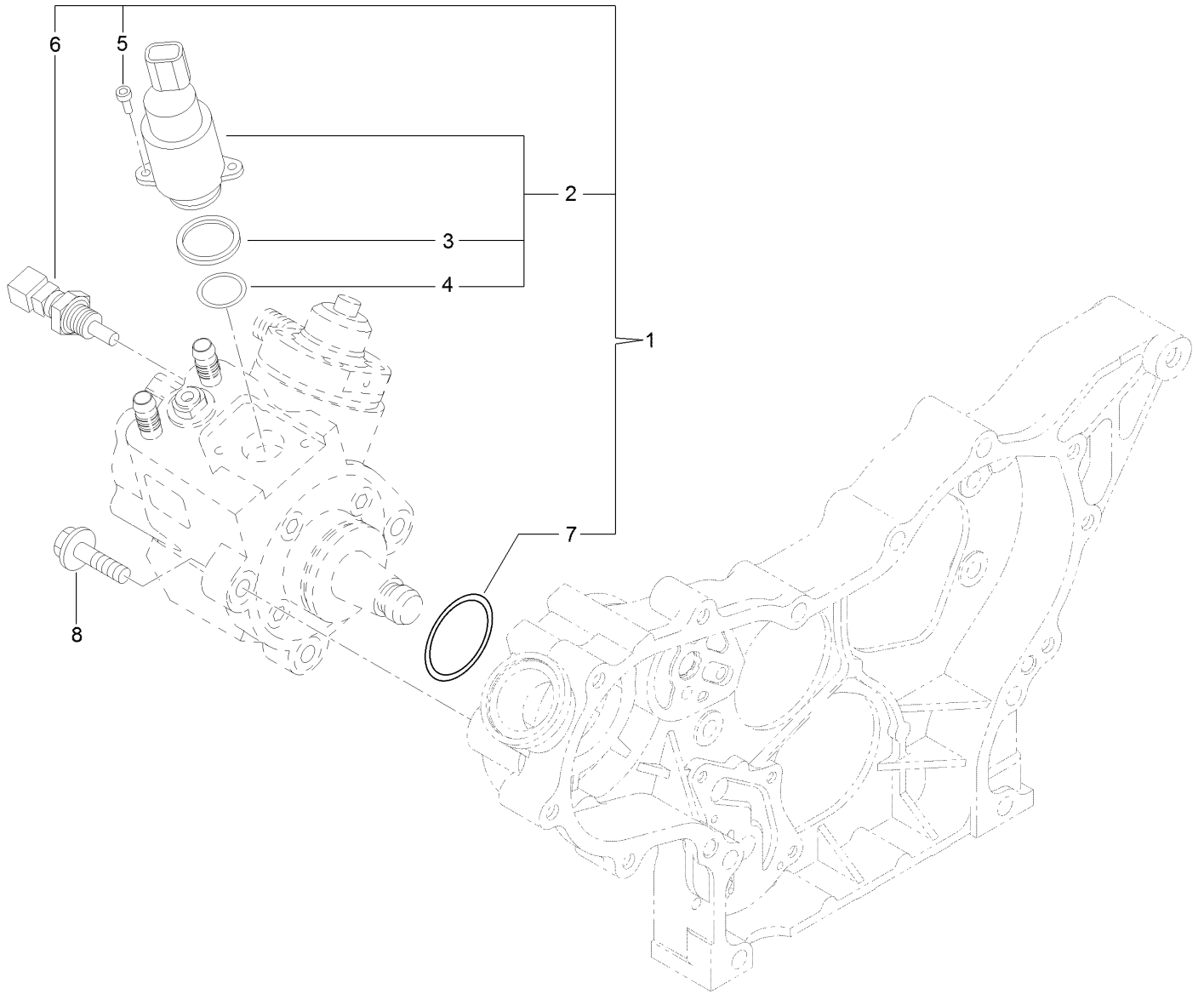
Cooling Water System Assembly



Cooling Water System Assembly (continued)

<i>Ref.</i>	<i>Part Number</i>	<i>Qty.</i>	<i>Description</i>	<i>Ref.</i>	<i>Part Number</i>	<i>Qty.</i>	<i>Description</i>
1	130-7442	1	Water Pump ASM	24	127-4771	1	V-Belt
3	125-6998	1	Gasket	25	127-4702	1	Fan
4	125-6999	1	Plate	26	127-4768	1	Spacer
9	127-3017	1	Joint	27	125-7211	4	Bolt
10	125-7123	2	Plug	28	125-7029	1	Thermostat
11	127-3175	1	Plug	29	125-7026	1	Gasket
12	125-7195	1	Plug	30	125-7034	1	Cover
13	125-7234	3	Screw	31	125-7110	1	Gasket
14	125-7047	1	Gasket	32	125-7594	2	Bolt
15	125-6986	1	Joint	33	125-6953	1	Plug
16	125-7048	1	O-Ring	34	125-7124	1	Sensor-Thermostat, CW
17	125-6978	1	Gasket	35	125-6979	1	Gasket
18	125-7192	1	Gasket	36	125-7176	1	Washer-Seal
19	93-0362	1	Bolt	37	127-4705	1	Elbow
20	100-6928	3	Bolt	38	127-4757	1	E G R-C Pipe ASM
21	125-7219	1	Bolt	39	127-3020	2	Clip-Hose
22	125-7222	3	Bolt	42	127-3811	1	CW Pipe ASM
23	127-4712	1	V-Pulley	43	127-3020	2	Clip-Hose

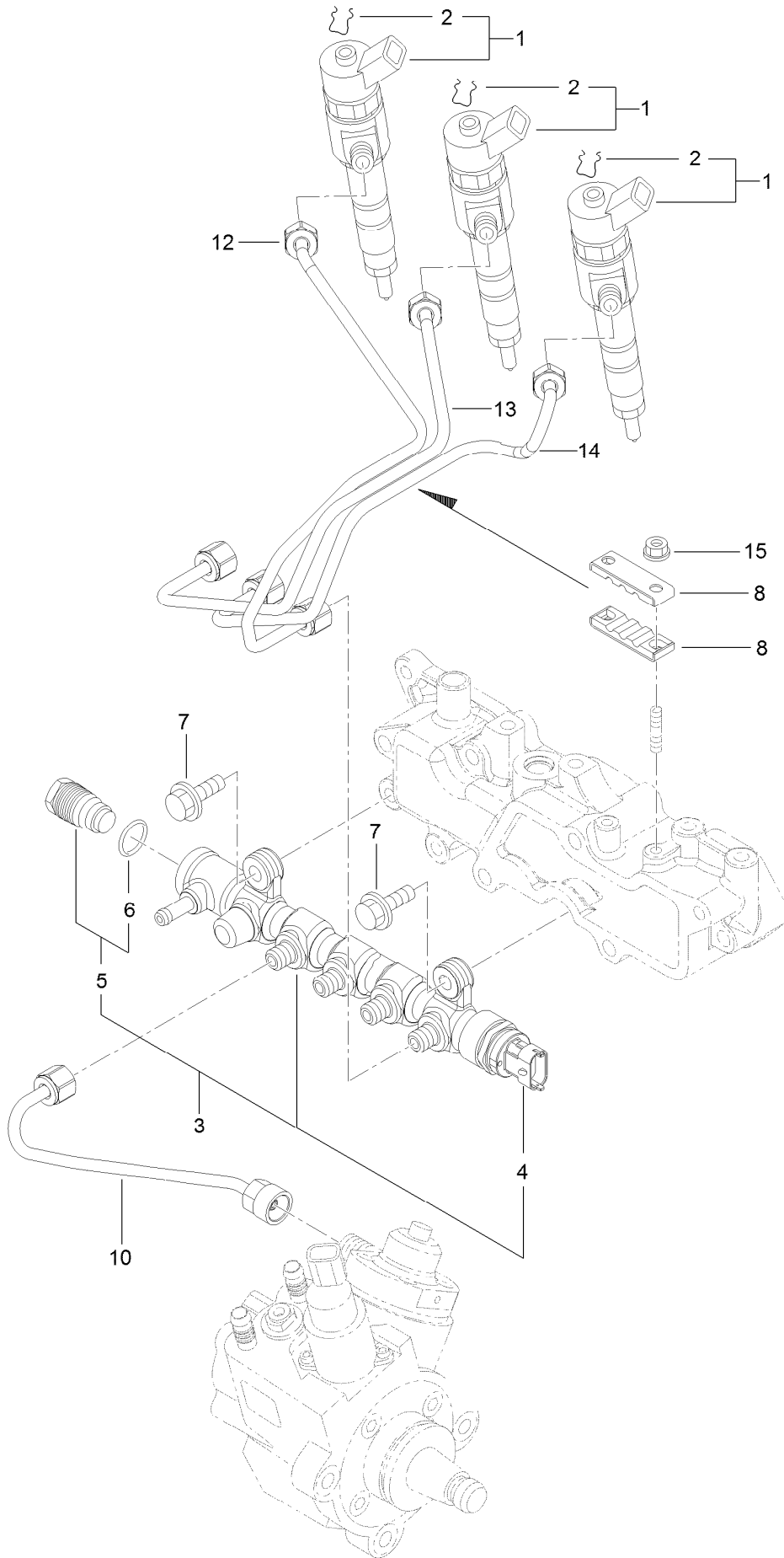
Fuel System Assembly



Fuel System Assembly (continued)

<i>Ref.</i>	<i>Part Number</i>	<i>Qty.</i>	<i>Description</i>	<i>Ref.</i>	<i>Part Number</i>	<i>Qty.</i>	<i>Description</i>
1	127-3073	1	Fuel Pump ASM	5	131-2107	2	Bolt
2	131-2103	1	Valve ASM	6	131-2108	1	Sensor-Temperature
3	131-2105	1	Ring-Sealing	7	127-3074	1	O-Ring
4	131-2106	1	O-Ring	8	125-7216	3	Bolt

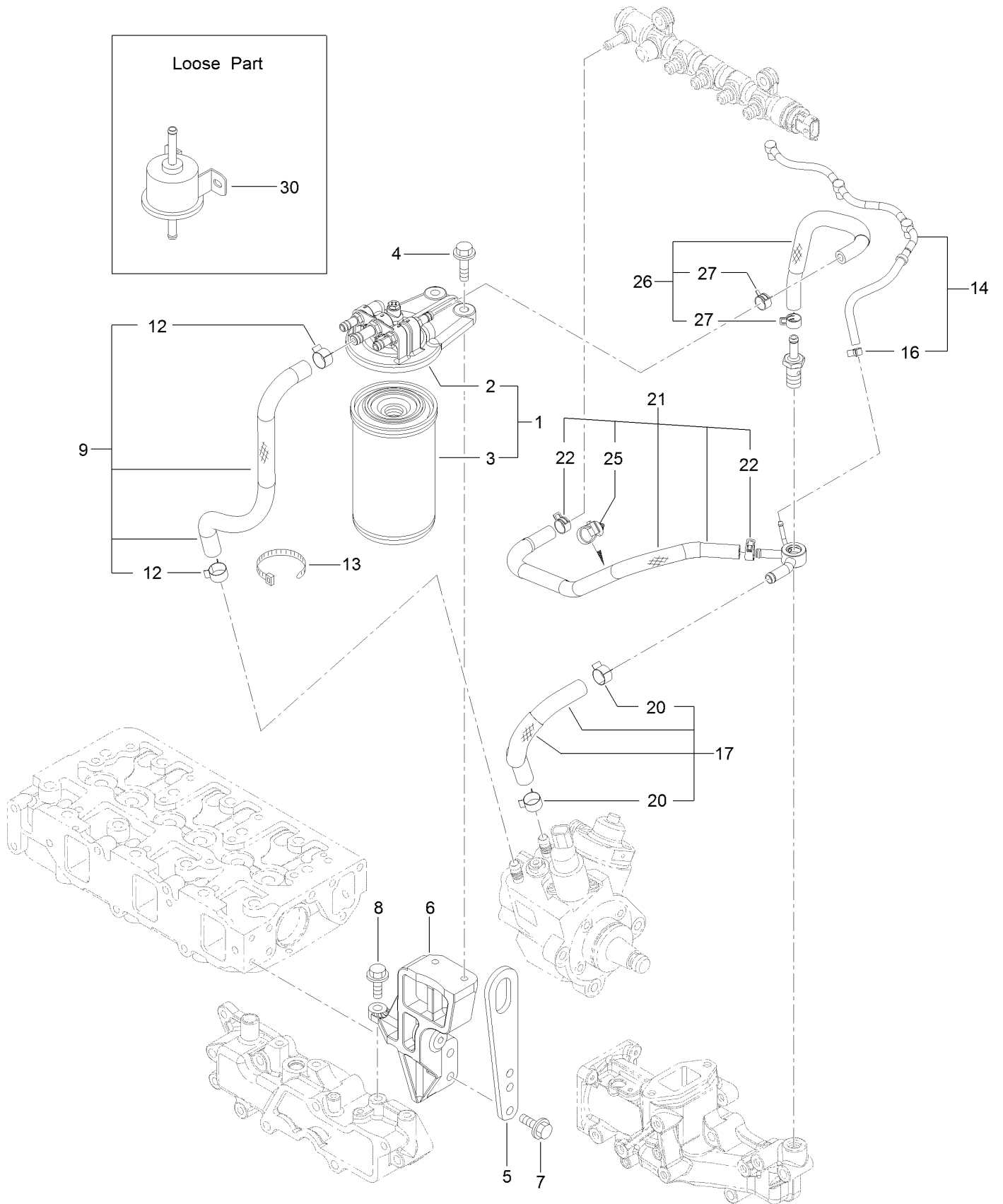
Fuel Injection Valve Assembly



Fuel Injection Valve Assembly (continued)

<i>Ref.</i>	<i>Part Number</i>	<i>Qty.</i>	<i>Description</i>	<i>Ref.</i>	<i>Part Number</i>	<i>Qty.</i>	<i>Description</i>
1	127-4754	3	Injector ASM	8	127-3813	2	Retainer
2	130-7430	3	Ring-Retaining	10	127-3082	1	Rail In Pipe ASM
3	127-3812	1	Rail ASM	12	127-3814	1	Injection Pipe ASM
4	131-2709	1	Sensor-Pressure, Rail	13	127-3083	1	Injection Pipe ASM
5	131-2710	1	Valve ASM	14	127-3084	1	Injection Pipe ASM
6	130-7433	1	O-Ring	15	125-7231	2	Nut
7	125-7215	2	Bolt				

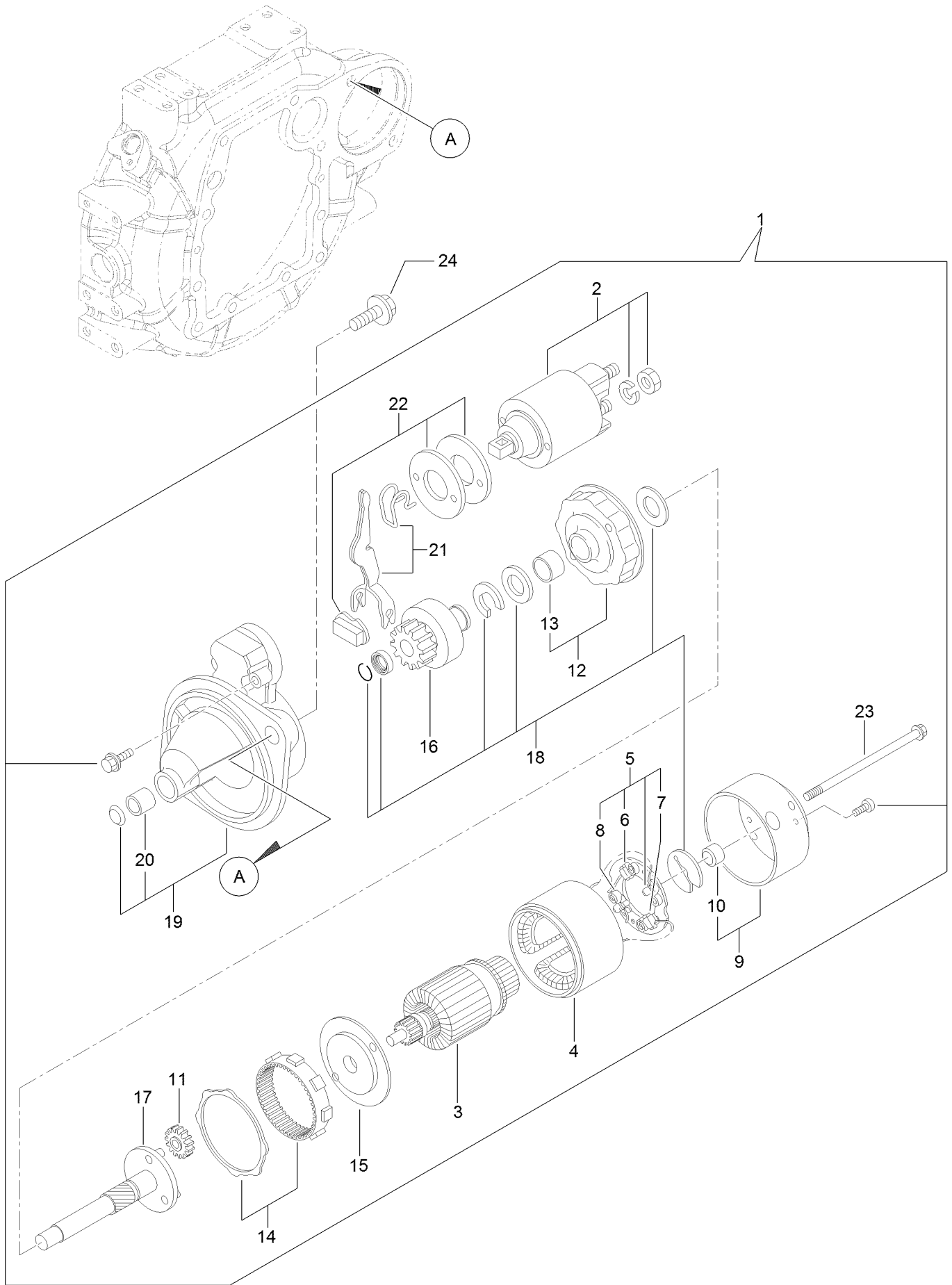
Fuel Line Assembly



Fuel Line Assembly (continued)

<i>Ref.</i>	<i>Part Number</i>	<i>Qty.</i>	<i>Description</i>	<i>Ref.</i>	<i>Part Number</i>	<i>Qty.</i>	<i>Description</i>
1	127-3075	1	Fuel/Oil Filter ASM	14	127-3816	1	Fuel/Oil Return Pipe ASM
2	127-3076	1	Fuel/Oil Filter Bracket ASM	16	127-3172	1	Clamp-Hose
3	125-8752	1	Filter-Fuel/Oil	17	127-3078	1	Fuel Pipe ASM
4	125-7216	2	Bolt	20	125-7191	2	Clamp-Hose
5	125-7111	1	Lifter	21	127-3817	1	Fuel Pipe ASM
6	127-3815	1	Filter Bracket ASM	22	127-2950	2	Clip-Hose
7	125-7215	2	Bolt	25	127-3087	1	Band-Clip
8	125-7215	1	Bolt	26	127-3079	1	Fuel Pipe ASM
9	127-3077	1	Fuel Pipe ASM	27	127-2950	2	Clip-Hose
12	125-7191	2	Clamp-Hose	30	127-3008	1	Fuel Feed Pump ASM
13	127-2981	1	Band				

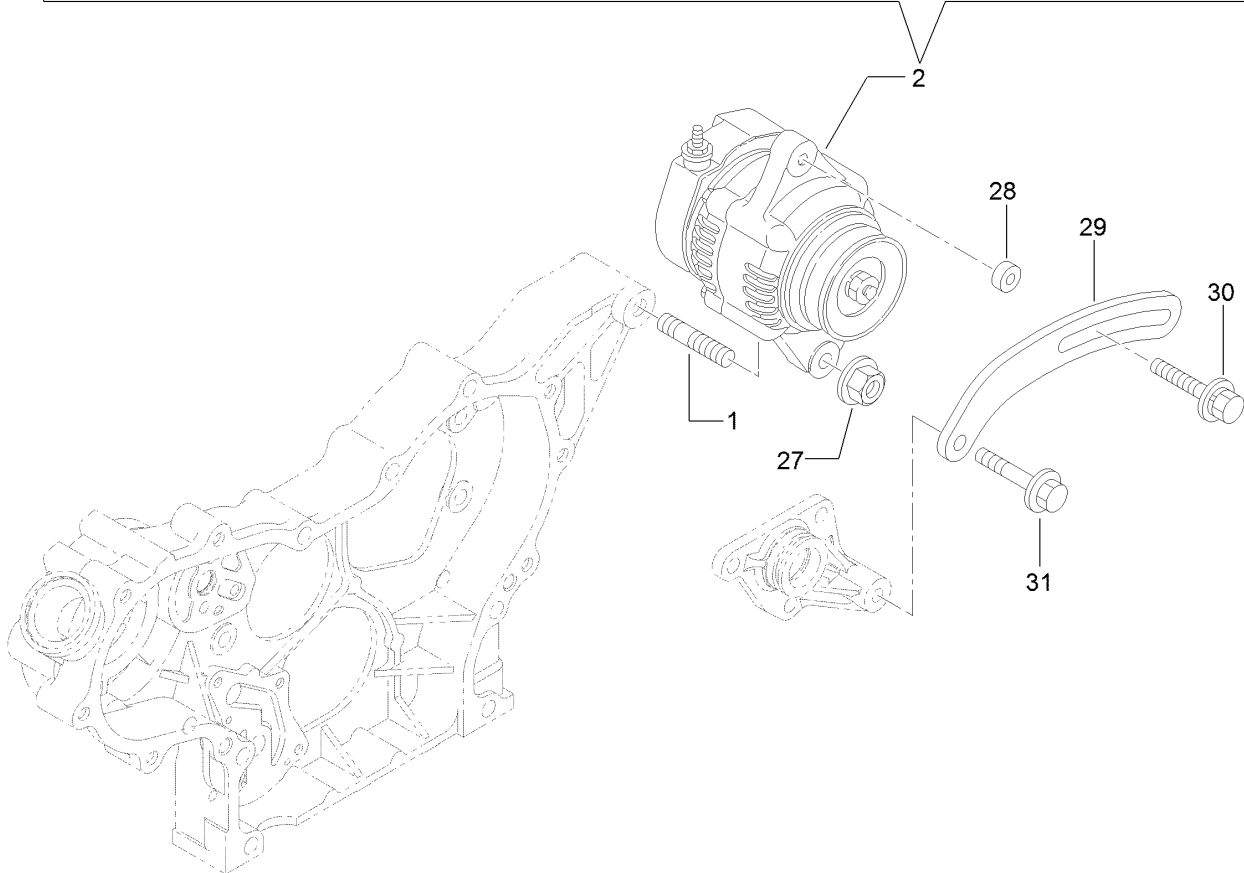
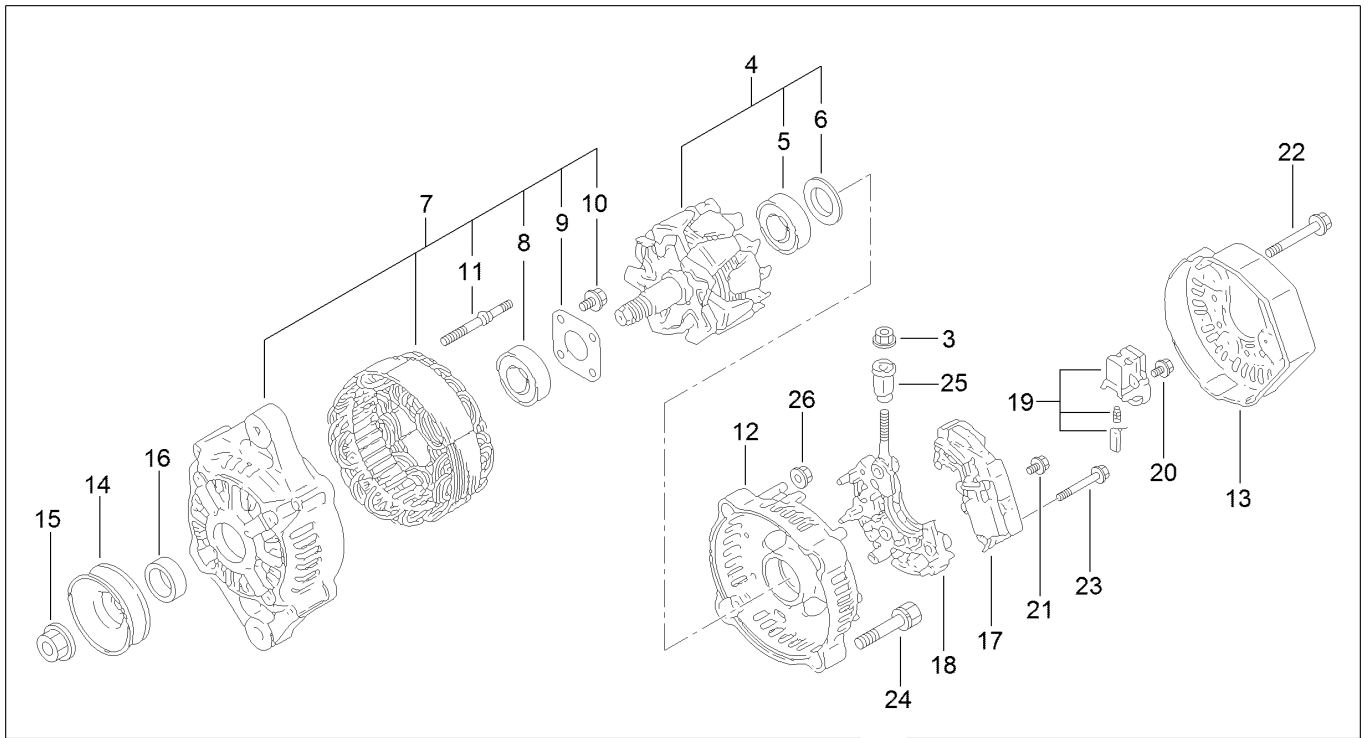
Starting Motor Assembly



Starting Motor Assembly (continued)

<i>Ref.</i>	<i>Part Number</i>	<i>Qty.</i>	<i>Description</i>	<i>Ref.</i>	<i>Part Number</i>	<i>Qty.</i>	<i>Description</i>
1	127-3818	1	Starter ASM	13	127-3830	1	Bracket
2	127-3819	1	Switch ASM	14	127-3831	1	Gear
3	127-3820	1	Armature ASM	15	127-3832	1	Bracket
4	127-3821	1	Yoke ASM	16	127-3833	1	Pinion ASM
5	127-3822	1	Brush Holder ASM	17	127-3834	1	Shaft
6	127-3823	2	Brush	18	127-3835	1	Washer Set
7	127-3824	1	Brush Set	19	127-3836	1	Case ASM
8	127-3825	4	Spring	20	127-3837	1	Metal-Starter
9	127-3826	1	Cover ASM	21	127-3838	1	Lever Set
10	127-3827	1	Metal	22	127-3839	1	Dust Cover ASM
11	127-3828	3	Gear	23	127-3840	2	Bolt-Through
12	127-3829	1	Bracket	24	125-7225	2	Bolt

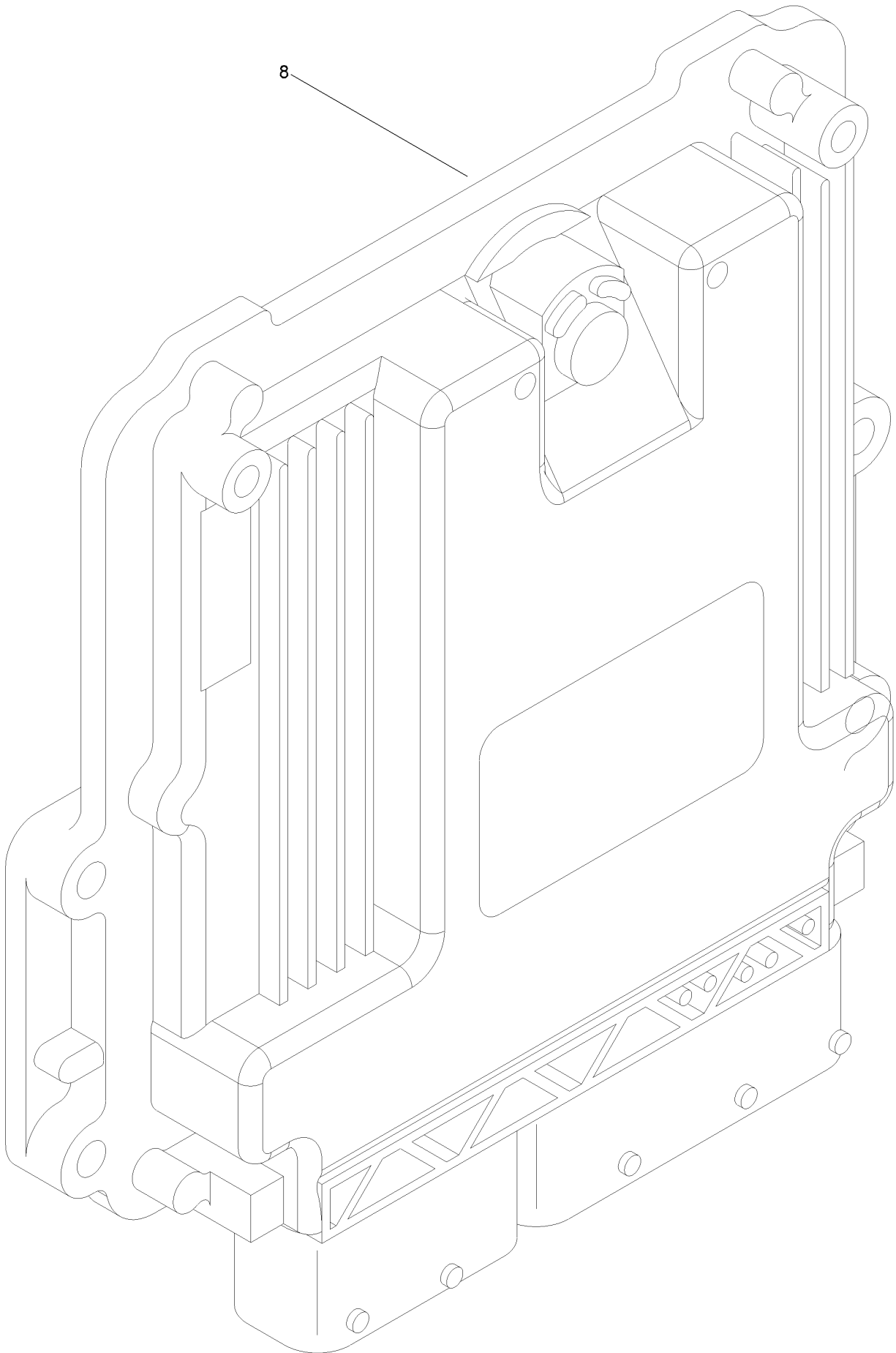
Generator Assembly



Generator Assembly (continued)

<i>Ref.</i>	<i>Part Number</i>	<i>Qty.</i>	<i>Description</i>	<i>Ref.</i>	<i>Part Number</i>	<i>Qty.</i>	<i>Description</i>
1	127-3011	1	Stud	17	127-3847	1	Regulator ASM
2	127-3841	1	Generator	18	127-3848	1	Holder
3	127-3190	1	Nut	19	127-2993	1	Holder
4	127-3843	1	Rotor ASM	20	127-2965	6	Screw
5	127-2983	1	Bearing-Ball	21	127-2966	1	Screw
6	127-2962	1	Cover	22	127-2967	3	Bolt
7	127-3844	1	Frame ASM	23	127-2968	2	Screw
8	127-2958	1	Bearing-Ball	24	127-2969	2	Bolt
9	127-2959	1	Plate-Retainer	25	127-2970	1	Bushing-Insulation
10	127-2960	4	Screw	26	127-2971	2	Nut
11	127-2961	2	Stud	27	125-7230	1	Nut
12	127-3845	1	Frame	28	125-6947	1	Spacer
13	127-3846	1	Cover	29	127-2977	1	Adjuster
14	127-2954	1	Pulley	30	125-7134	1	Bolt
15	127-2955	1	Nut	31	125-7219	1	Bolt
16	127-2957	1	Collar				

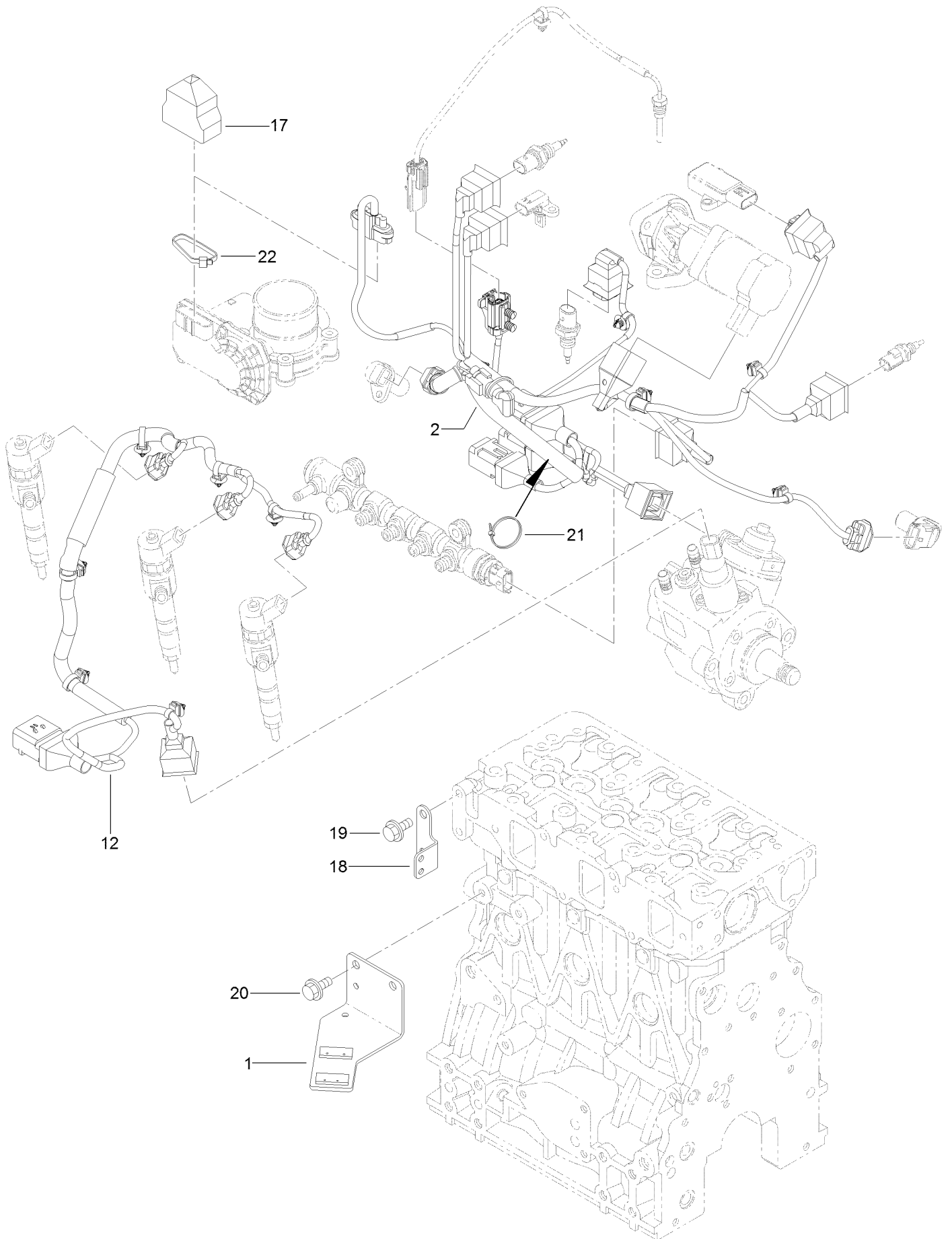
Electronic Control Unit Assembly



Electronic Control Unit Assembly (continued)

<i>Ref.</i>	<i>Part Number</i>	<i>Qty.</i>	<i>Description</i>
8	121-5592	1	Electronic Control Unit

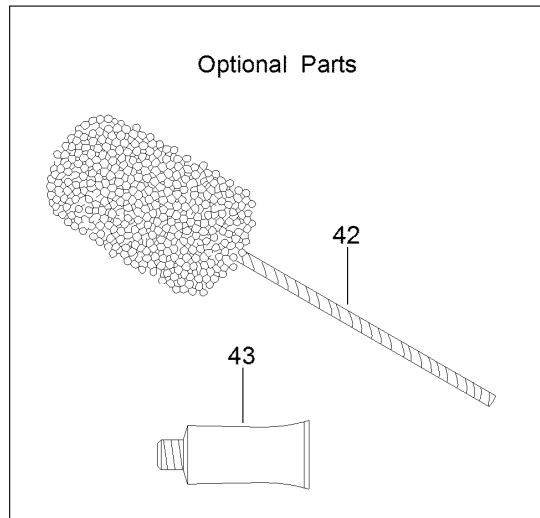
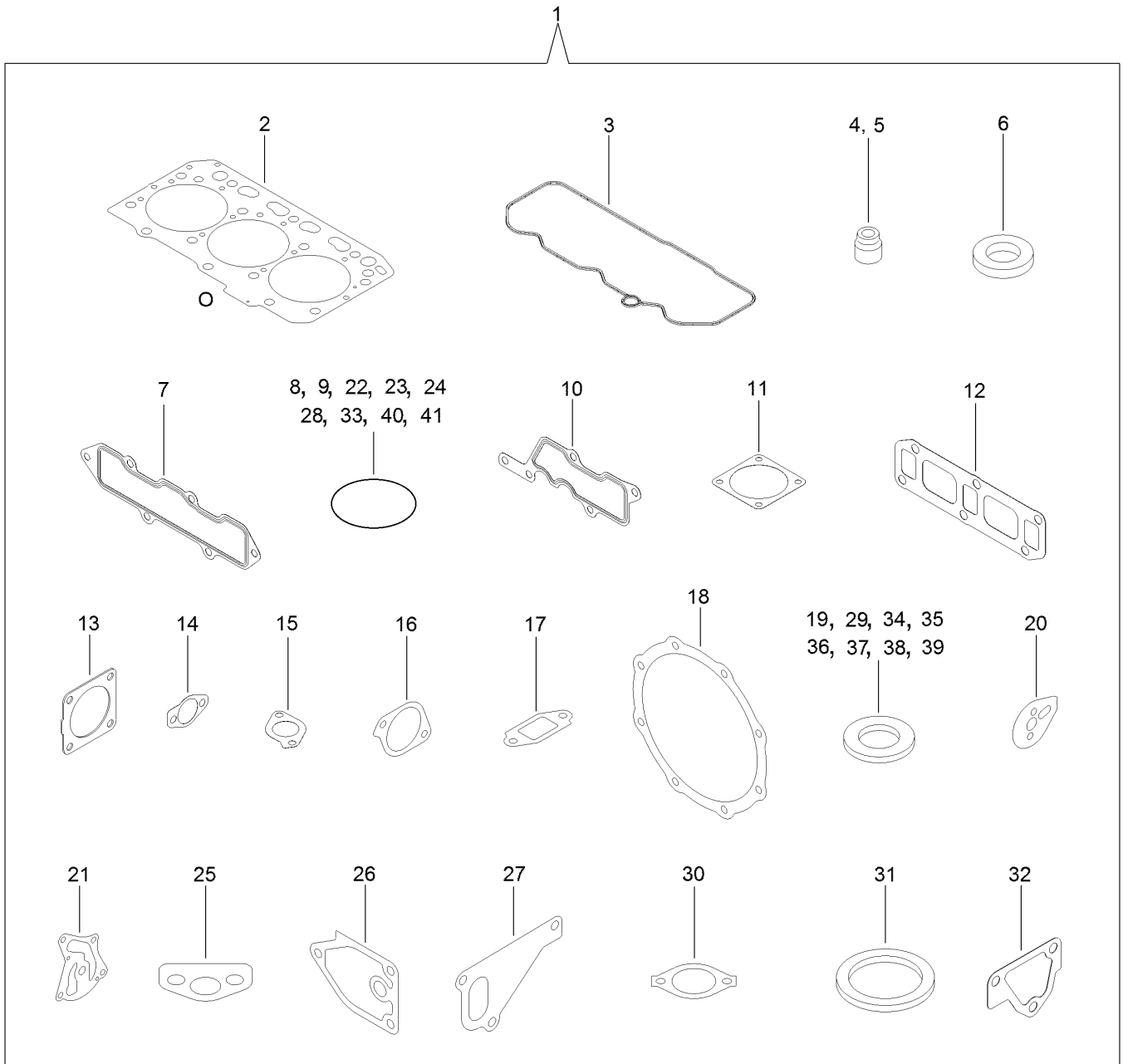
Electric Parts Assembly



Electric Parts Assembly (continued)

<i>Ref.</i>	<i>Part Number</i>	<i>Qty.</i>	<i>Description</i>	<i>Ref.</i>	<i>Part Number</i>	<i>Qty.</i>	<i>Description</i>
1	130-7436	1	Bracket-Connector	19	93-0362	2	Bolt
2	130-7437	1	Harness B-Engine, E C O	20	93-0362	2	Bolt
12	130-7438	1	Harness	21	127-3187	1	Band
17	130-7439	1	Boot-Type, Cap	22	127-3188	1	Band
18	127-3090	1	Bracket-Harness				

Gasket Set



Gasket Set (continued)

<i>Ref.</i>	<i>Part Number</i>	<i>Qty.</i>	<i>Description</i>	<i>Ref.</i>	<i>Part Number</i>	<i>Qty.</i>	<i>Description</i>
1	130-7440	1	Packing (Gasket Set)	23	127-2973	1	O-Ring
2	127-4716	1	Head Gasket ASM	24	125-7075	1	O-Ring
3	127-3856	1	Gasket-Valve Cover	25	125-7022	1	Gasket
4	127-2986	3	Seal-Stem, Valve	26	125-7024	1	Gasket
5	127-3027	3	Seal-Stem, Valve	27	125-7047	1	Gasket
6	127-3021	3	Gasket-Injector	28	125-7048	1	O-Ring
7	127-3857	1	Gasket-Manifold, Intake	29	125-6979	1	Gasket
8	127-3032	2	O Ring-Sensor, Pressure	30	125-7110	1	Gasket
9	127-3033	1	O-Ring	31	125-7026	1	Gasket
10	127-3034	1	Gasket-Collector	32	125-6978	1	Gasket
11	127-3037	2	Gasket-Throttle	33	127-3074	1	O-Ring
12	127-3775	1	Gasket-Manifold, Exhaust	34	125-7174	1	Washer-Seal
13	127-2987	1	Gasket-Silencer	35	125-7176	1	Washer-Seal
14	127-3043	2	Gasket-Cooler, E G R	36	127-3166	2	Washer-Seal
15	127-3016	1	Gasket	37	125-7177	1	Washer-Seal
16	127-3050	1	Gasket-Intake Valve, E G R	38	125-7192	1	Gasket
17	127-3051	1	Gasket-Out Valve, E G R	39	127-3174	2	Gasket
18	127-3859	2	Gasket-D P F	40	93-0418	3	O-Ring
19	127-3056	4	Gasket-Sensor	41	125-7197	2	O-Ring
20	127-3069	1	Gasket-Idle, Shaft B	42	127-3000	1	Hone
21	127-3004	1	Gasket	43	125-7248	1	Gasket-Liquid
22	125-6909	2	O-Ring				

Attachments and Accessories

For 25403 Pro Sneak 365 Vibratory Plow

Product Name	Model/Part
COMPACTION BIT CASE/ASTEC 1.50.....	130-3804
COMPACTION BIT CASE/ASTEC 1.75.....	130-3805
COMPACTION BIT CASE/ASTEC 2.00.....	130-3806
COMPACTION BIT CASE/ASTEC 2.50.....	130-3807
COMPACTION BIT CASE/ASTEC 3.00.....	130-3808
HD ROCK HEAD 1.75 CASE/ASTEC.....	130-3864
HD ROCK HEAD 2.00 CASE/ASTEC.....	130-3865
HD ROCK HEAD 2.50 CASE/ASTEC.....	130-3866
HD ROCK HEAD 3 CASE/ASTEC.....	130-3867
COMPACTION REAMER 2.00 CASE/ASTEC.....	130-3847
COMPACTION REAMER 2.50 CASE/ASTEC.....	130-3848
COMPACTION REAMER 3.00 CASE/ASTEC.....	130-3849
COMPACTION REAMER 3.50 CASE/ASTEC.....	130-3850
COMPACTION REAMER 4.00 CASE/ASTEC.....	130-3851
COMPACTION REAMER 4.50 CASE/ASTEC.....	130-3852
COMPACTION REAMER 6IN.....	127-4437
DRILL ROD GUIDE 48.....	130-3960
P40 Vibratory Plow.....	25402E
26in Tire Kit.....	25416E
23in Tire Kit.....	25414E
24in Boom.....	25406E
36in Boom.....	25408E
24in Crumber Kit.....	25404E
23in Dual Tire Kit.....	25423E
26in Dual Tire Kit.....	25424E
Premium All Purpose Grease (Tube).....	108-1190
22in Reel Carrier.....	25419E
Premium Engine Oil 10w30 (55 Gallon Drum).....	121-6392
Trencher Drive.....	25411E
Premium Engine Oil 10w30 (5 Gallon Pail).....	121-6393
Wheel Weight Assembly.....	25426E
Filter-Air.....	108-3810
5in Air Cleaner Safety Element.....	114-4057
Fuel Filter.....	125-8752
Engine Oil Filter.....	125-7025
Premium Heavy Duty All Season Gear Lube (Quart).....	108-1591
Premium All Season Gear Lube (Quart).....	108-1590
Premium All Season Hydraulic Fluid (5 Gallon Pail).....	108-1178
Hydra Borer.....	25421E
STD PLOW BLADE 10 /13 D - 5/8 W.....	130-3414
STD PLOW BLADE 13 /16 D - 5/8 W.....	130-3415
STD PLOW BLADE 15 /18 D - 5/8 W.....	130-3416
STD PLOW BLADE 18 /24 D - 5/8 W.....	130-3417
HD PLOW BLADE 10 /13 D - 3/4 W.....	130-3418
HD PLOW BLADE 13 /16 D - 3/4 W.....	130-3419
HD PLOW BLADE 15 /18 D - 3/4 W.....	130-3420

Attachments and Accessories (continued)

HD PLOW BLADE 21 /24 D - 3/4 W	130-3421
HD PLOW BLADE 27 /30 D - 3/4 W	130-3422
HD PLOW BLADE 33 /36 D - 3/4 W	130-3423
EHD PLOW BLADE 15 /18 D - 1 W.....	130-3424
EHD PLOW BLADE 21 /24 D - 1 W.....	130-3425
EHD PLOW BLADE 27 /30 D - 1 W.....	130-3426
EHD PLOW BLADE 33 /36 D - 1 W.....	130-3427
MAXI-TRAC PLOW BLADE 10 /13 D.....	130-3428
MAXI-TRAC PLOW BLADE 13 /16 D.....	130-3429
MAXI-TRAC PLOW BLADE 15/18 D	127-4456
THIN-LINE PLOW BLADE 9 /12 - 1/4 W	130-3405
THIN-LINE PLOW BLADE 9 /12 - 3/8 W	130-3406
THIN-LINE PLOW BLADE 9 /12 - 1/2 W	130-3407
THIN-LIN PLOW BLADE 12 /15 - 1/2 W.....	130-3408
THIN-LIN PLOW BLADE 15 /18 - 1/2 W.....	130-3409
CHUTE BLADE 9 /12 D 1/2 W	130-3681
CHUTE BLADE 12 /15 D 1/2 W	130-3682
CHUTE BLADE 15 /18 D 1/2 W	130-3683
CHUTE BLADE 9 /12 D 5/8 W	130-3684
CHUTE BLADE 12 /15 D 5/8 W	130-3685
CHUTE BLADE 15 /18 D 5/8 W	130-3686
CHUTE BLADE 9 /12 D 3/4 W	130-3687
CHUTE BLADE 12 /15 D 3/4 W	130-3688
CHUTE BLADE 15 /18 D 3/4 W	130-3689
BUSHING ADAPTER 3/4 PIN NO P/K.....	130-3631
LOST MOTION ASSEMBLY 3/4 X3/4 PIN NO P/K	130-3628
LOST MOTION ASSEMBLY 3/4 PIN NOP/K	130-3626
LOST MOTION ASSEMBLY 3/4 X5/8 BOX NOP/K.....	130-3627
BLADE POINT 1.5 OD FOR 10211/10212.....	130-3638
10460 W/HARDSURFACE 1.75 OD	130-3639
BLADE POINT 2.0 OD FOR 10211/10212.....	130-3641
SWIVEL EYE MESH GRIP .75-.99 GRIP RNG.....	127-4680
SWIVEL EYE MESH GRIP 1.00-1.24 GRIP R	127-4681
SWIVEL EYE MESH GRIP 1.25-1.49 GRIP R	127-4682
SWIVEL EYE MESH GRIP 1.50-1.99 GRIP R	127-4683
SWIVEL EYE MESH GRIP 2.00-2.49 GRIP R	127-4684
SWIVEL EYE MESH GRIP 2.50-2.99 GRIP R	127-4685
SWIVEL EYE MESH GRIP 3.00-3.49 GRIP R	127-4686
SWIVEL EYE MESH GRIP 3.50-3.99 GRIP R	127-4687
SWIVEL EYE MESH GRIP 4.00-4.49 GRIP R	127-4688
PULLING GRIP .75-1.25 GRIP RNG SW	127-4689
PULLING GRIP .75-1.25 GRIP RNG DW	127-4690
PULLING GRIP 1.25-2.00 GRIP RNG	127-4691
PULLING GRIP 2.00-2.75 GRIP RNG	127-4692
PULLING GRIP 2.75-3.50 GRIP RNG	127-4693
PULLING GRIP 3.50-4.25 GRIP RNG	127-4694
PULLING GRIP 4.25-4.875 GRIP RNG	127-4695
DRILL ROD 60 CASE/ASTEC 7/8 SHAFT.....	130-3908
DRILL ROD 120 CASE/ASTEC 7/8 SHAFT.....	130-3909

Attachments and Accessories (continued)

CASE/ASTECC DRILL RO CLIPS (5PACK)..... 130-3915

Notes:



Count on it.