



**Count on it.**

**Parts Catalog**

**ProCore® 648**

**Aerator**

Model No. 09200—Serial No. 412017311 and Up



# Ordering Replacement Parts

To order replacement parts, please supply the part number, the quantity, and the description of each part desired.

## Understanding Reference Numbers

Each identified part in an illustration has a reference number. The reference number for a part also appears in the parts list, along with other information about the part.

This catalog uses two special reference number formats, one to indicate parts in a service assembly and another to indicate the quantity of a given part in an illustration.

## Service Assembly Reference Numbers

Parts in service assemblies have reference numbers in the form a:b. The a represents the reference number of the entire service assembly and the b represents a sequential number unique to each part within the service assembly.

For example, a wheel assembly might be identified by reference number 6, the tire by 6:1, the valve by 6:2, and the wheel by 6:3. When you order the assembly identified by reference number 6, you receive all parts identified by reference numbers 6:1, 6:2, and 6:3. However, you may also order any part individually. Reference numbers of this type appear in illustration and in parts lists.

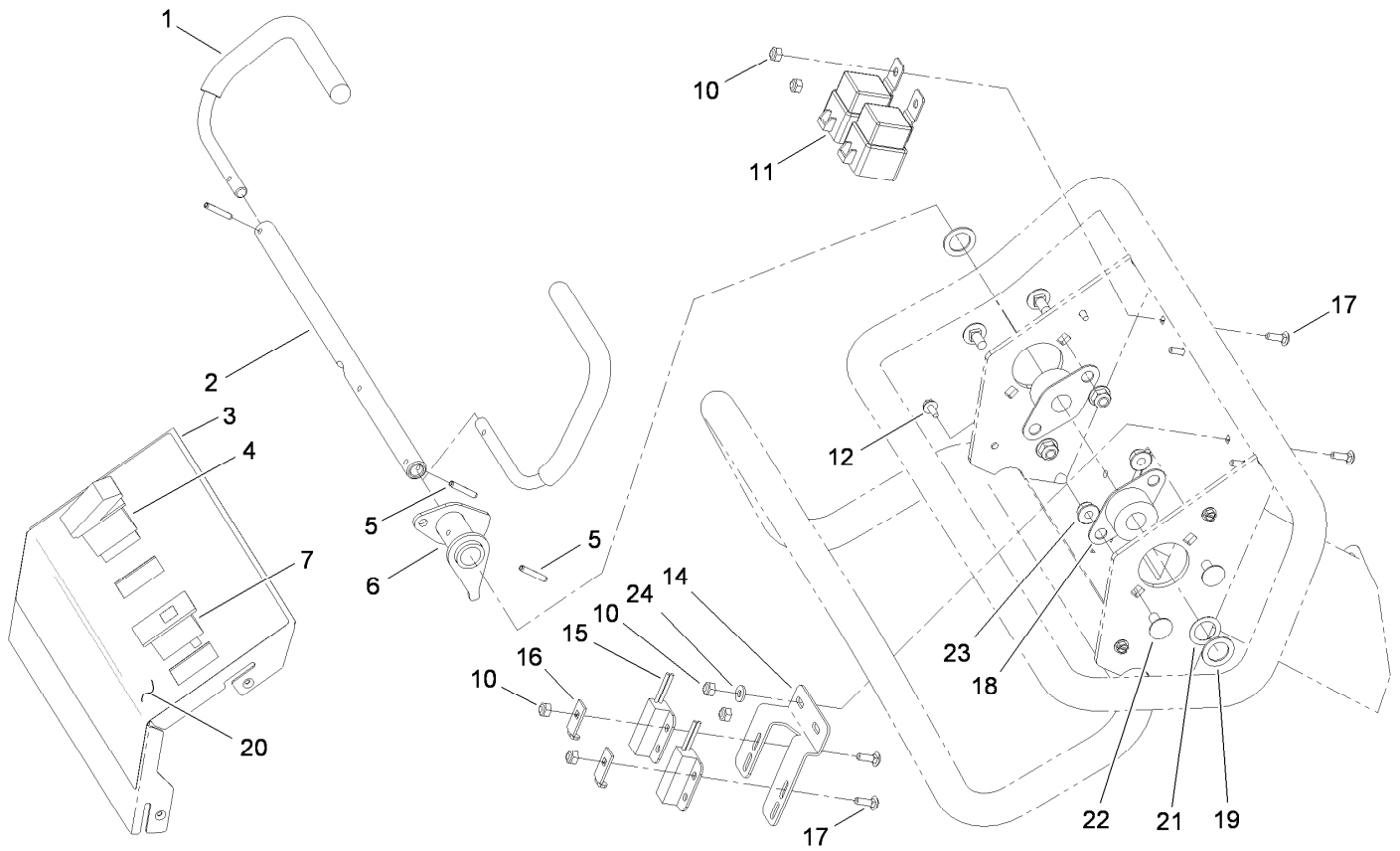
## Reference Numbers Indicating Quantity

In an illustration, if a reference number indicates more than one part, the reference number has the form nX y. The n represents the quantity of the part, the X is the multiplication symbol, and the y represents the reference number.

For example, in an illustration, the reference number 2X 37 means that two of the parts identified by reference number 37 are indicated.

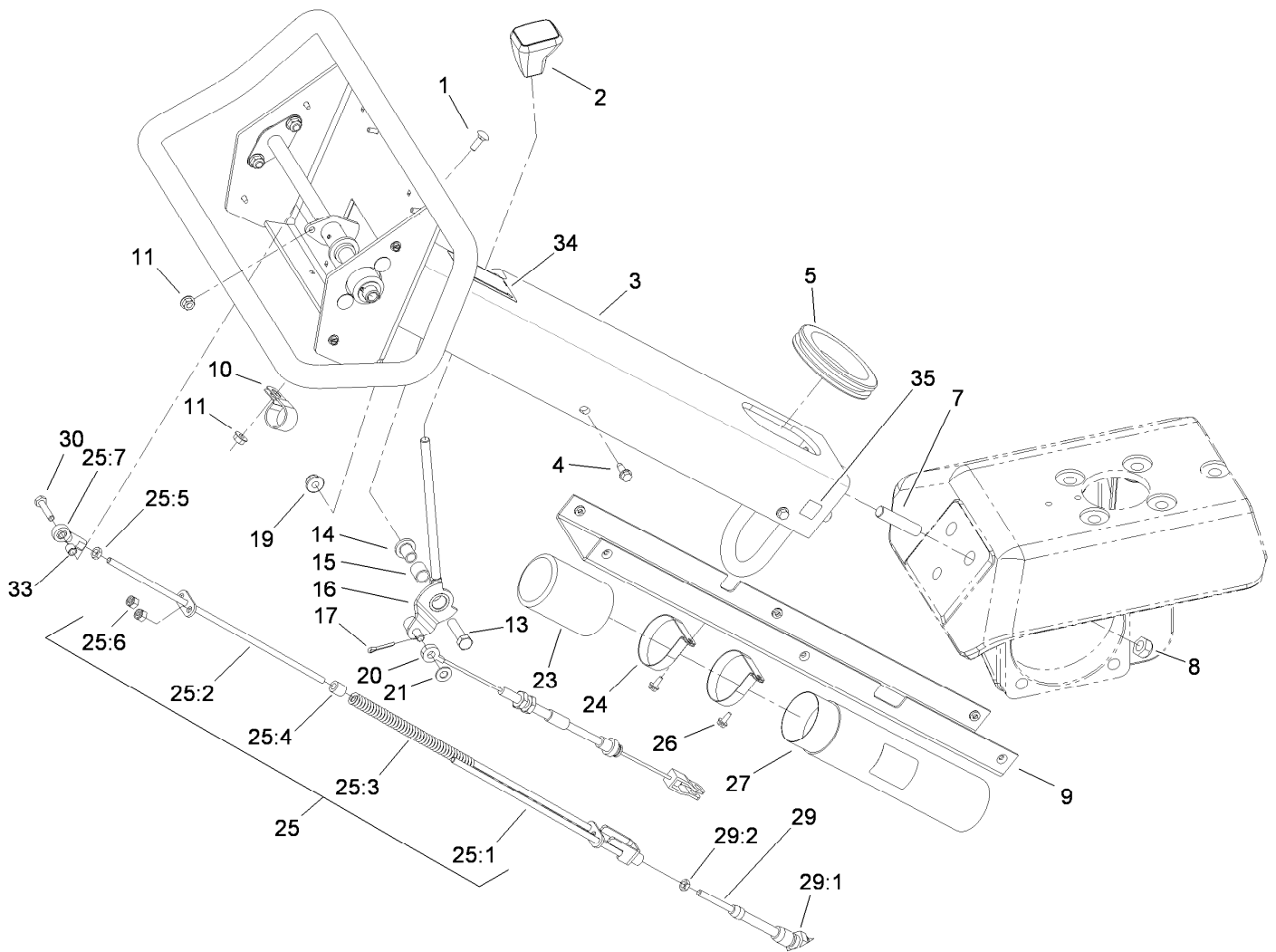
# Contents

Control Bail Assembly .....	4
Front Handle Assembly .....	5
Front Fork Assembly .....	6
Fuel Tank Assembly .....	7
Console Assembly .....	8
Console Electronics Assembly .....	9
Line Marker Assembly .....	10
Engine and Muffler Assembly .....	11
Rear Hood and Muffler Shield Assembly .....	12
Shield Assembly No. 107-7546 .....	13
Jackshaft Hood Assembly .....	14
Primary Belt Drive Assembly .....	15
Secondary Belt Drive Assembly .....	16
Hydro Control Assembly .....	17
Hydrostat Pump Assembly .....	18
Hydrostat and Puimp Assembly No. 140-8824 .....	19
Lift System Assembly .....	20
Hydraulic Cylinder Assembly No. 140-2205 .....	21
Control Manifold Assembly No. 106-8802 .....	22
Wheel and Motor Assembly .....	23
(CW) Hydraulic Motor Assembly No. 106-8807 .....	24
(CCW) Hydraulic Motor Assembly No. 106-8806 .....	25
(CCW) Hydraulic Motor Assembly No. 106-8808 .....	26
Brake Latch Assembly .....	27
Hydraulic Tank Assembly .....	28
Hydraulic Fitting Assembly .....	29
Hardline and Hose Assembly .....	31
H-Frame Assembly .....	32
Coring Head Crank No. 1 and 2 Assembly .....	33
Coring Head Crank No. 3 and 4 Assembly .....	34
Coring Head Crank No. 5 and 6 Assembly .....	35
Coring Head Assembly for Rotolinks .....	36
Coring Head Assembly for Turfguards .....	37
Depth Control Assembly .....	38
Depth Actuator Assembly .....	39
Optional Tire Scraper Assembly (Model 09225) .....	40
Attachments and Accessories .....	41



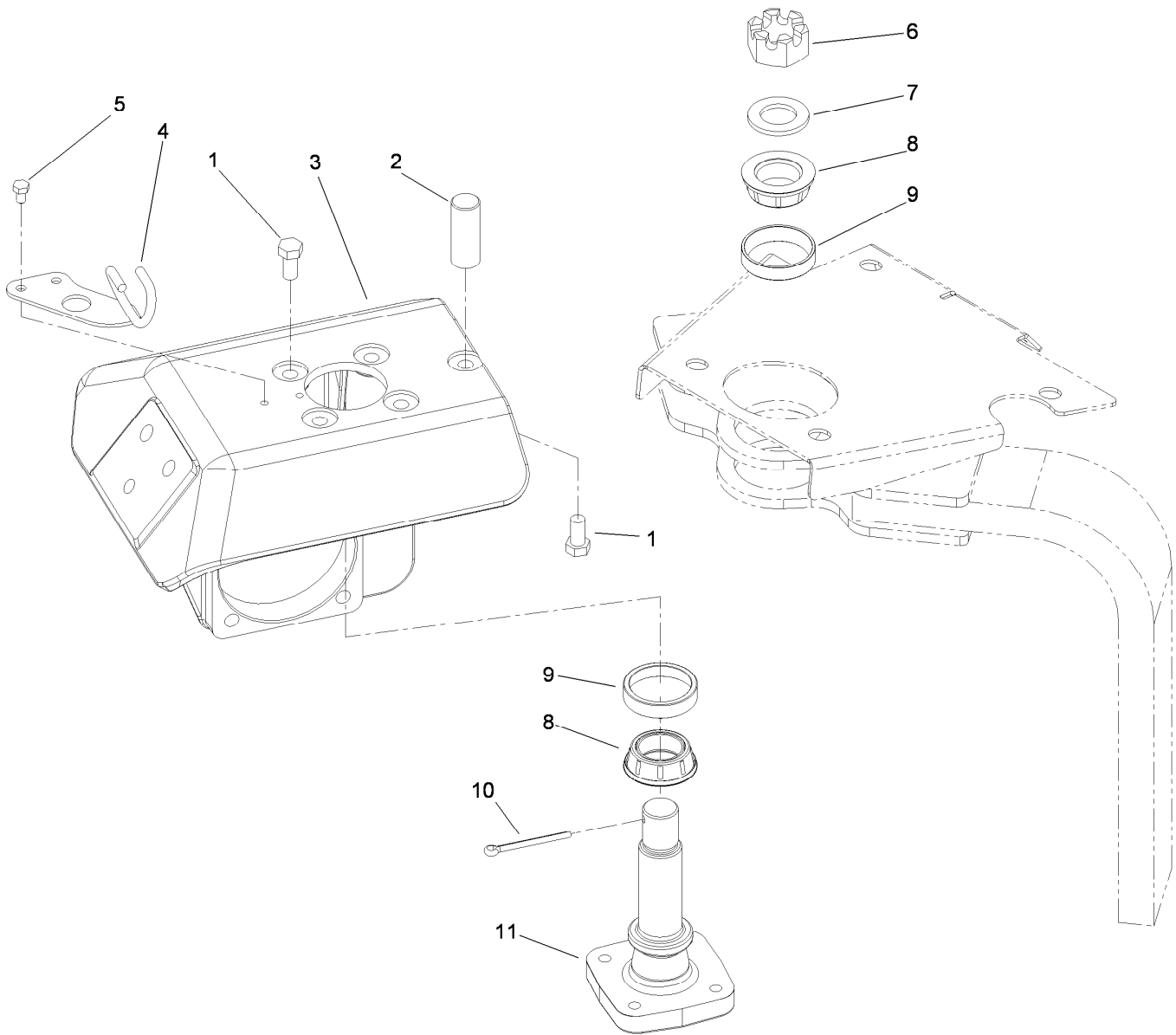
## Control Bail Assembly

<i>Ref.</i>	<i>Part Number</i>	<i>Qty.</i>	<i>Description</i>	<i>Ref.</i>	<i>Part Number</i>	<i>Qty.</i>	<i>Description</i>
1	115-4719	2	Bail-Traction	15	100-1270	2	Switch-Proximity
2	107-3350	1	Shaft-Pivot, Bail V	16	100-4872	2	Plate-Switch, Neutral
3	105-1183-03	1	Cover-Handle, Control	17	3229-34	6	Screw-CARR
4	106-8921	1	Switch-Rocker, Off-On	18	256-236	2	Bearing-Mount, Flange
5	32121-45	3	Pin-Spring	19	3256-69	2	Washer-Flat
6	137-1609	1	Bail Lever (Mach)	20	115-4716	1	Decal-Handle Control Panel, CE
7	99-7410	1	Indicator-Light, Low-Oil Pressure	21	108-2100	1	Washer-Spring, Curved
10	3296-2	6	Nut-Lock, NI	22	3230-18	4	Screw-CARR
11	99-7430	2	Relay-Mini	23	104-8300	4	Nut-HF, NI
12	32104-60	4	Screw-HWH	24	3256-14	2	Washer-Flat
14	107-3361	1	Mount-Switch				



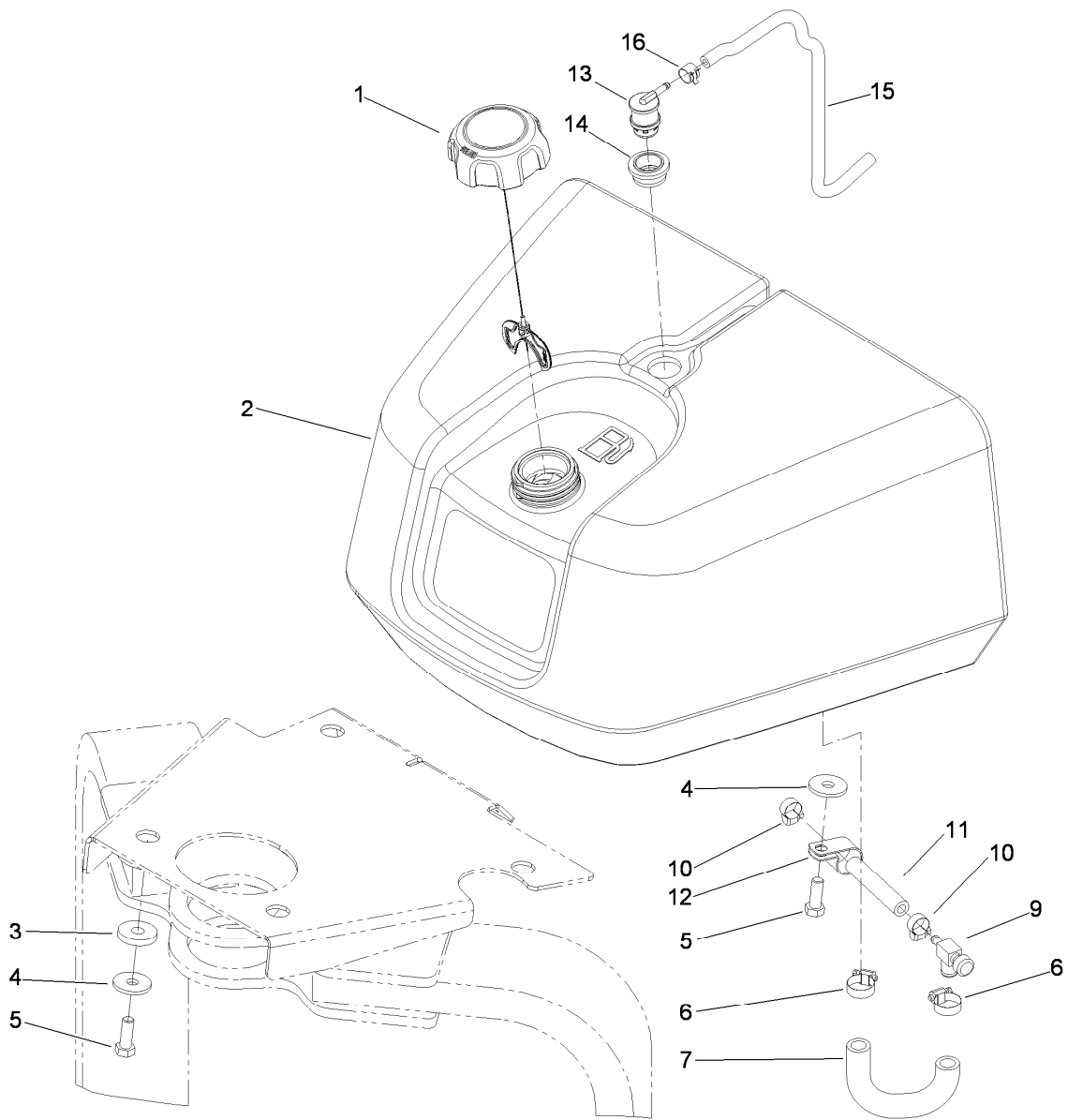
## Front Handle Assembly

Ref.	Part Number	Qty.	Description	Ref.	Part Number	Qty.	Description
1	3229-1	1	Screw-CARR	24	2412-120	2	Clamp-R
2	65-8970	1	Knob-Shift	25	115-6661	1	Rod ASM
3	115-4723SP	1	Control Handle ASM	25:1	107-3360	1	Spring Retainer ASM
4	32144-44	6	Screw-HWH, Thread Roll	25:2	107-3354	1	Override Rod ASM
5	240-8	1	Grommet-Rubber	25:3	107-3373	1	Spring-Compression
7	80-8680	3	Stud	25:4	22-7810	1	Spacer
8	3296-19	3	Nut-Hex	25:5	3220-1	1	Nut-Jam
9	107-3363-03	1	Cover-Lower, Handle	25:6	3296-3	2	Nut-Lock
10	2412-39	1	Clamp-R	25:7	2411-41	1	Rod End-Ball Joint
11	32128-33	2	Nut-HF	26	32104-60	2	Screw-HWH
13	323-8	1	Screw-HH	27	104-7050	1	Tube-Manual
14	80-7200	1	Spacer-Brake	29	80-7220	1	Cable-Control, Stroke
15	256-206	1	Bushing	29:1	3220-6	4	Nut-Jam
16	86-8420	1	Lever-Brake	29:2	3220-1	2	Nut-Jam
17	3272-10	1	Pin-Cotter	30	321-8	1	Screw-HH
19	104-8301	1	Nut-HF, NI	33	99-3545	1	Spacer
20	106-8896	1	Cable-Latch, Parking	34	93-9363	1	Decal-Brake, Parking
21	3256-23	1	Washer-Plain	35	93-9084	3	Decal-Point, Lift
23	104-7048	1	Cap-Housing				



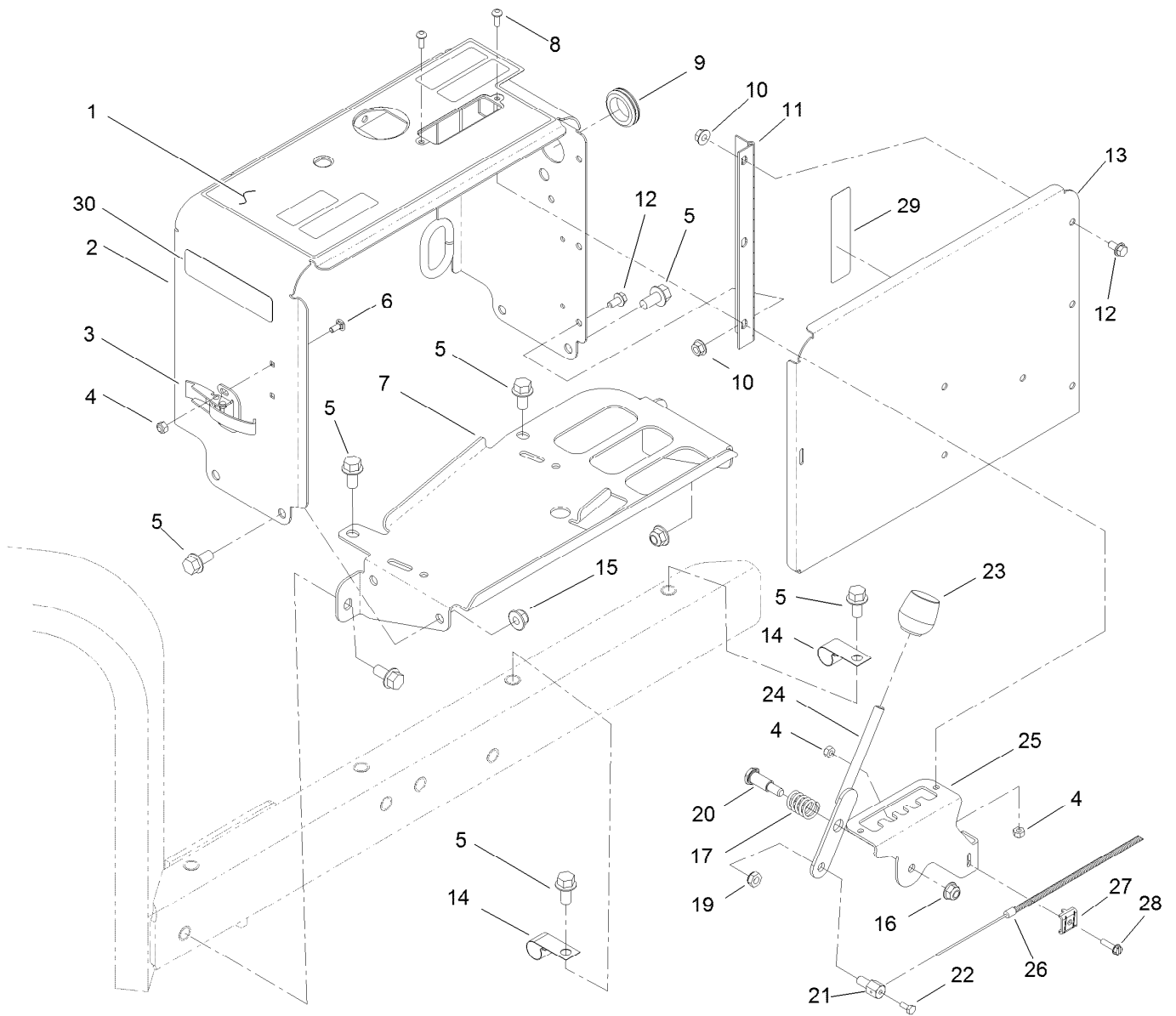
## Front Fork Assembly

Ref.	Part Number	Qty.	Description
1	325-4	5	Screw-HH
2	106-8939	1	Stop-Steering
3	108-1252-01	1	Arm-Steering
4	106-8937	1	Cable Guide ASM
5	322-1	2	Screw-HH
6	32136-9	1	Nut-Hex, Slotted
7	107-7597	1	Washer-Plain
8	107-7589	2	Cone-Bearing (W/ Seal)
9	107-7590	2	Cup-Bearing
10	3272-37	1	Pin-Cotter
11	107-7595-0P	1	Spindle-Steer



## Fuel Tank Assembly

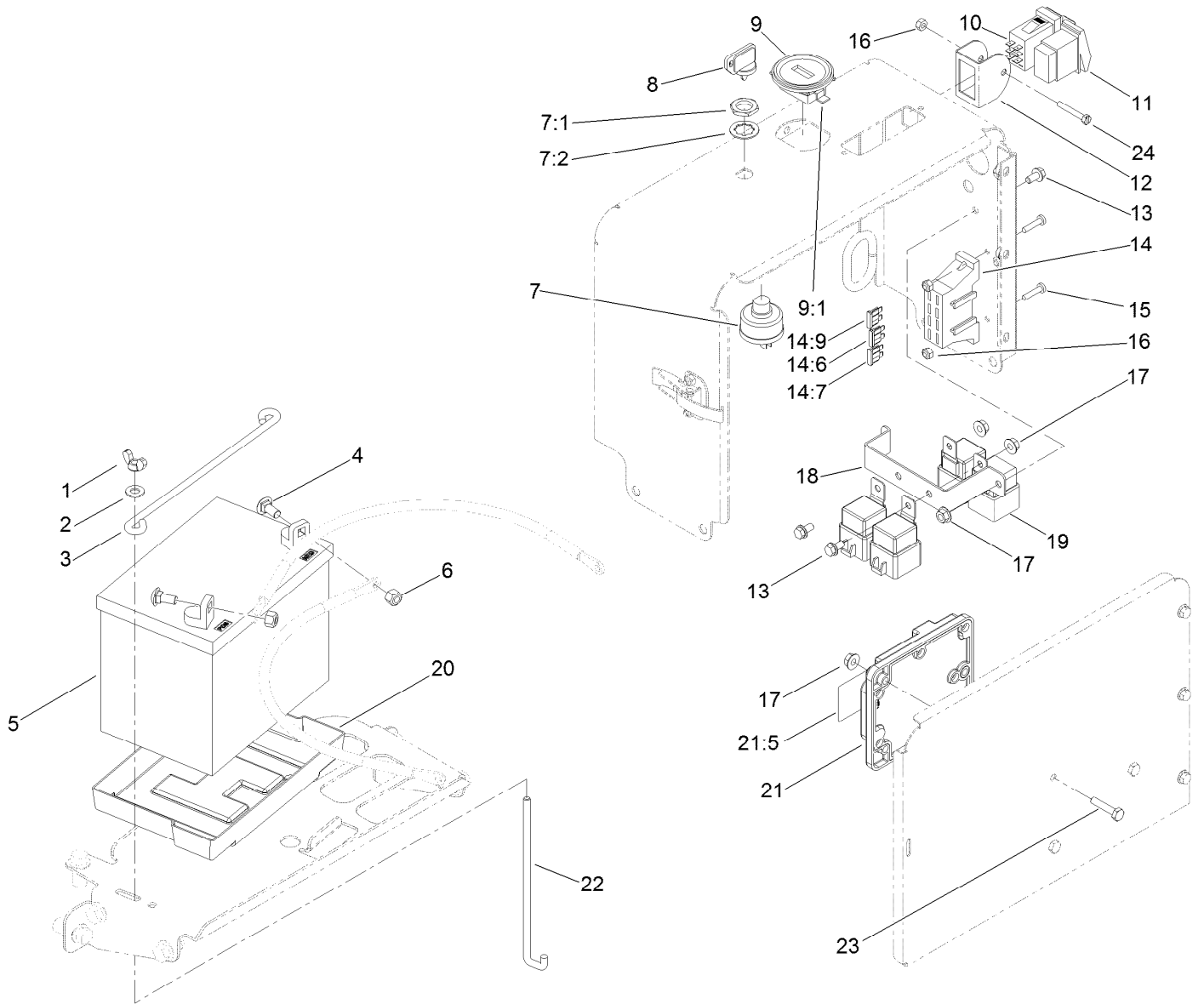
Ref.	Part Number	Qty.	Description
1	137-4127	1	Cap-Fuel
2	115-5387	1	Tank-Fuel
3	240-11	4	Bushing-Flange
4	63-8410	4	Washer
5	323-6	4	Screw-HH
6	2412-36	2	Clamp-Hose
7	108-6818	1	Hose-Fuel, Molded
9	83-1390	1	Valve-Shut-Off, Fuel
10	2412-108	1	Clamp-Worm
11	114-3765	1	Hose-Fuel
12	2412-41	1	Clamp-R
13	114-0285	1	Valve-Rollover
14	114-0284	1	Grommet
15	115-4735	1	Hose-Fuel
16	2412-146	1	Clamp-Hose



## Console Assembly

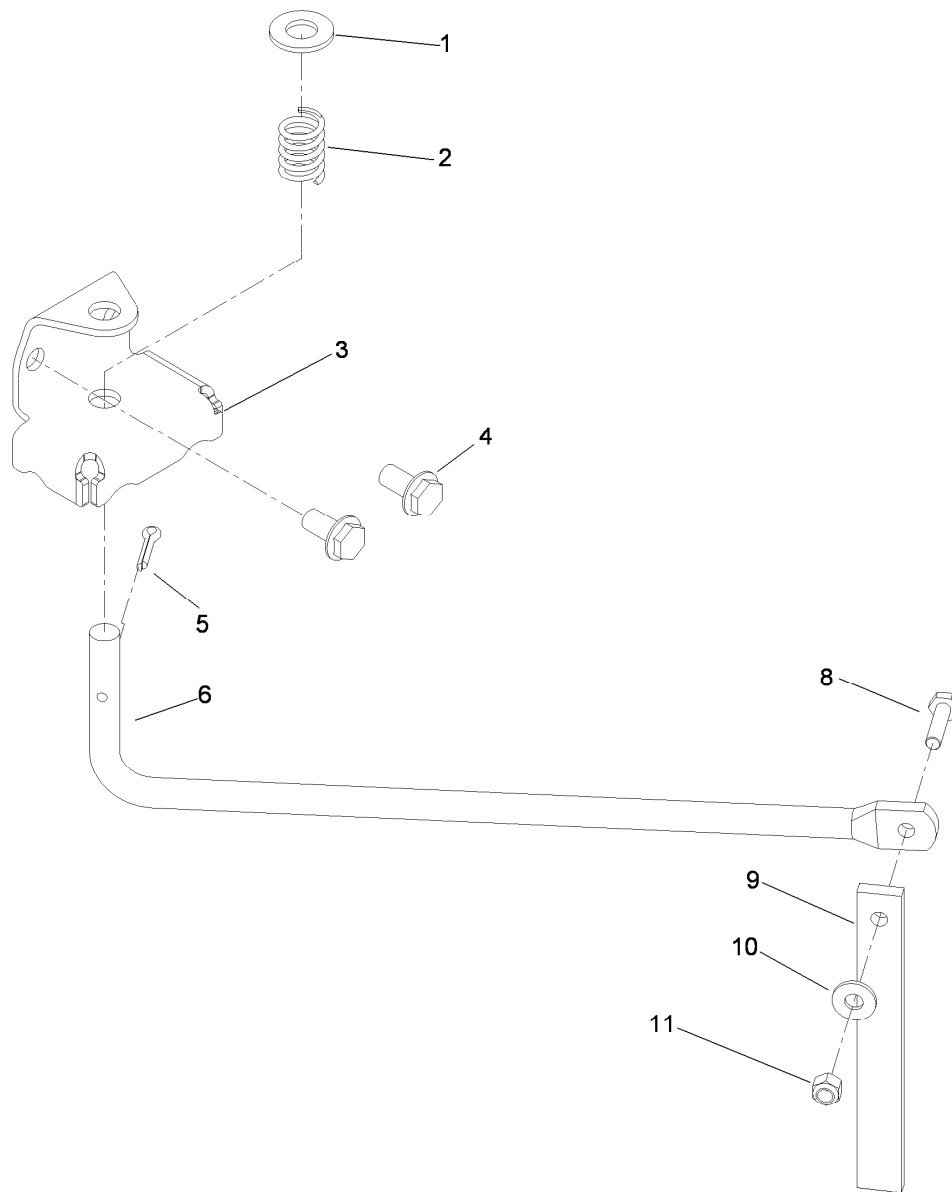
<i>Ref.</i>	<i>Part Number</i>	<i>Qty.</i>	<i>Description</i>	<i>Ref.</i>	<i>Part Number</i>	<i>Qty.</i>	<i>Description</i>
1	106-8854	1	Decal-Console, Main	16	104-8300	1	Nut-HF, NI
2	105-1175-01	1	Console	17	20-6110	1	Spring-Compression
3	249-21	1	Clamp-Slotted	19	3296-20	1	Nut-Lock, NI
4	3296-2	6	Nut-Lock, NI	20	63-2650	1	Screw-Shoulder
5	3234-1	10	Screw-HHF	21	98-9311	1	Swivel-Throttle
6	104-1450	2	Bolt-CARR	22	25-8640	1	Screw-HH
7	105-1182-01	1	Base-Console	23	233-37	1	Knob
8	3250-12	3	Screw-PPH	24	105-1167	1	Spacing Lever ASM
9	240-5	1	Grommet	25	105-1166-03	1	Bracket-Lever, Spacer
10	32128-33	6	Nut-HF	26	105-1062	1	Cable-Control, Spacing
11	106-8908	1	Hinge-Console	27	81-1690	1	Clamp-Cable
12	3234-13	6	Screw-HHF	28	32105-13	1	Screw-HWH
13	105-1171-01	1	Cover-Console	29	107-7555	1	Decal-Block, Fuse
14	2412-150	2	Clip-J	30	133-8062	1	Decal-Arrestor, Spark
15	104-8301	4	Nut-HF, NI				





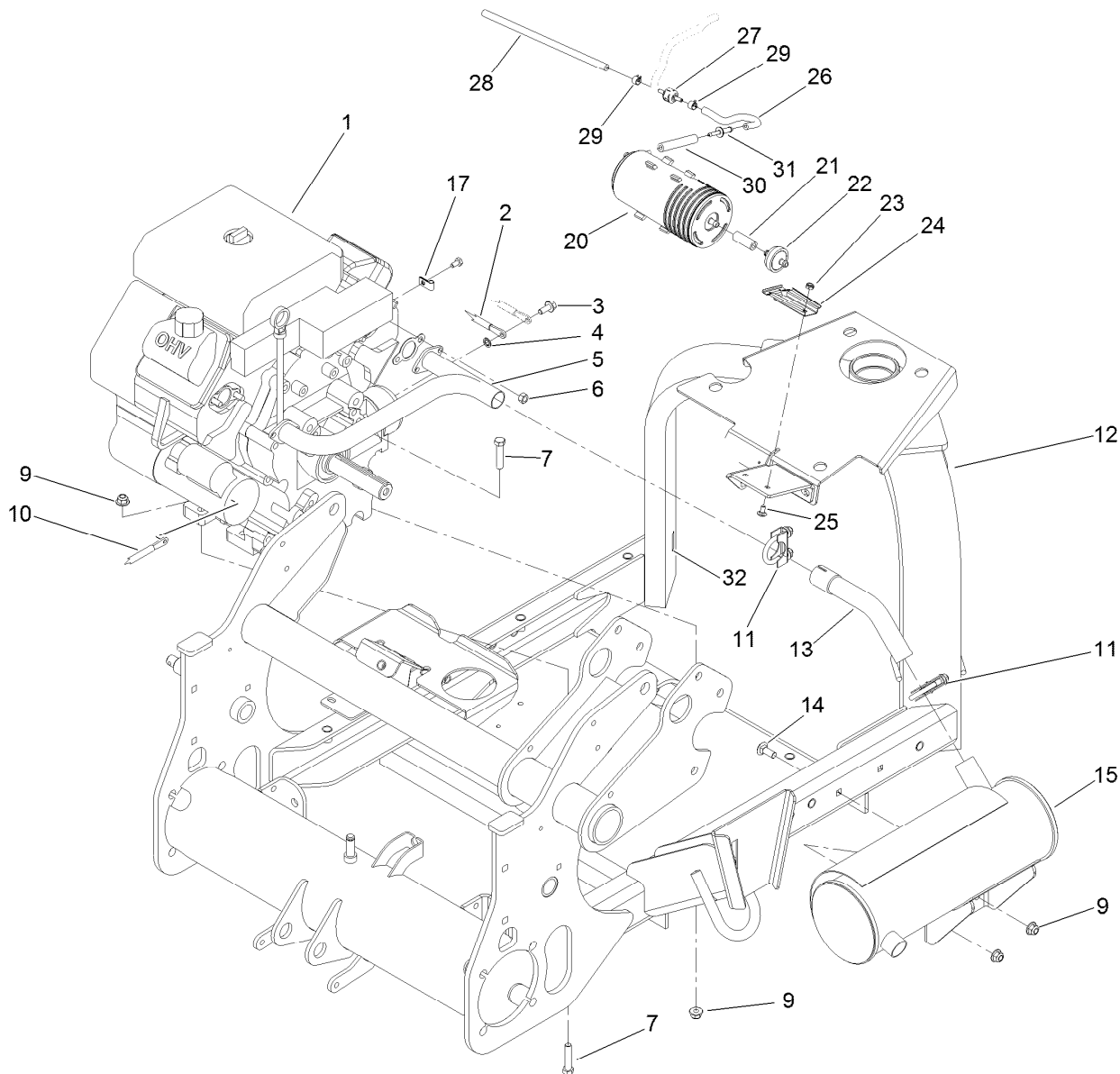
## Console Electronics Assembly

Ref.	Part Number	Qty.	Description	Ref.	Part Number	Qty.	Description
1	32103-22	2	Nut-Wing	13	3234-13	3	Screw-HHF
2	3256-23	2	Washer-Plain	14	122-1507	1	Harness-Wire
3	100-6434	1	Rod-Hold Down, Battery	14:6	218-578	2	Fuse-Blade, 10 Amp
4	3230-1	2	Bolt-CARR	14:7	94-6710	1	Fuse-2 Amp
5	99-7421	1	Battery	14:9	109101	1	Fuse-Blade, 20 Amp
6	104-8300	2	Nut-HF, NI	15	3250-27	2	Screw-PPH
7	83-0020	1	Switch-Ignition	16	3296-2	3	Nut-Lock, NI
7:1	218-461	1	Nut-HH	17	32128-33	6	Nut-HF
7:2	3254-5	1	Washer-Lock	18	107-7530-0P	1	Bracket-Relay
8	63-8360	2	Key-Ignition	19	99-7430	4	Relay-Mini
9	104-7427	1	Inductive Hourmeter ASM	20	106948	1	Tray-Battery
9:1	104-4234	1	Clip-Mounting	21	106-8831	1	Module-Control, Aerator
10	106-8920	1	Switch-Paddle, On-None-On	21:5	106-8835	1	Decal-Module, Aerator
11	106-2027	1	Switch-Intermittent	22	100-6435	2	Post-Battery
12	105-1158	1	Guard-Switch	23	321-8	3	Screw-HH
				24	32105-1	1	Screw-SHH



## Line Marker Assembly

Ref.	Part Number	Qty.	Description
1	3256-26	2	Washer-Flat
2	20-6110	2	Spring-Compression
3	105-1178-01	2	Bracket-Marker
4	3234-1	4	Screw-HHF
5	3272-31	2	Pin-Cotter
6	105-1179	2	Rod-Marker
8	321-6	2	Screw-HH
9	59-9460	2	Guide
10	3256-2	2	Washer-Flat
11	3296-42	2	Nut-Lock, NI

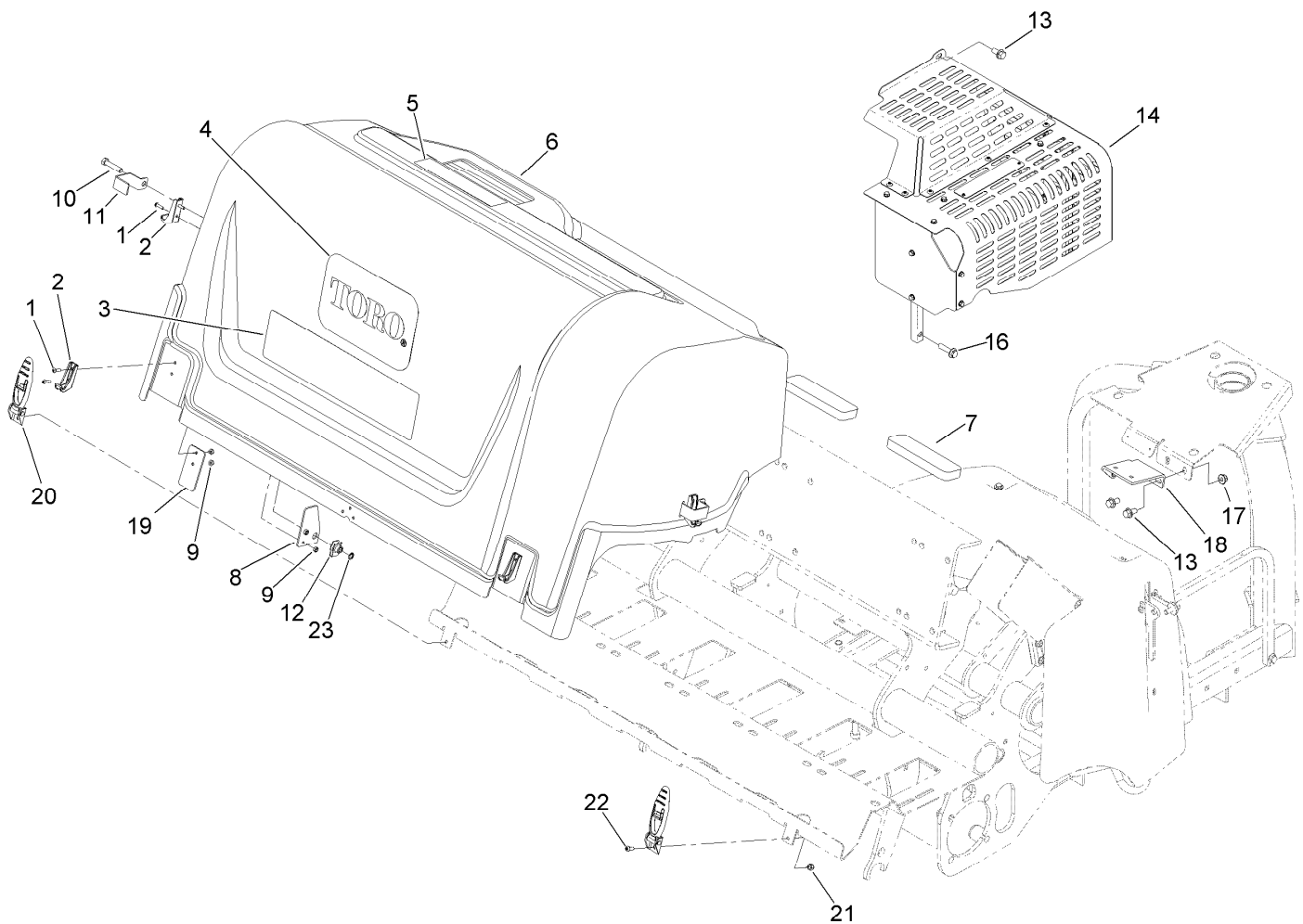


## Engine and Muffler Assembly

Ref.	Part Number	Qty.	Description
1	139-8652	1	Engine-Kohler, Ch680-3165
2	106-8946	1	Cable-Battery, Negative
3	33104-020	1	Screw-HHF
4	3254-2	1	Washer-Lock, Internal
5	106-8858	1	Manifold-Exhaust
6	33014-00	4	Nut-Hex
7	323-9	4	Screw-HH
9	104-8301	6	Nut-HF, NI
10	106-8945	1	Cable-Battery, Positive
11	104-4090	2	Clamp-Muffler
12	106-8910	1	Front Frame ASM
13	106-8857	1	Elbow-Exhaust
14	3231-2	2	Bolt-CARR
15	106-8859	1	Muffler-Exhaust

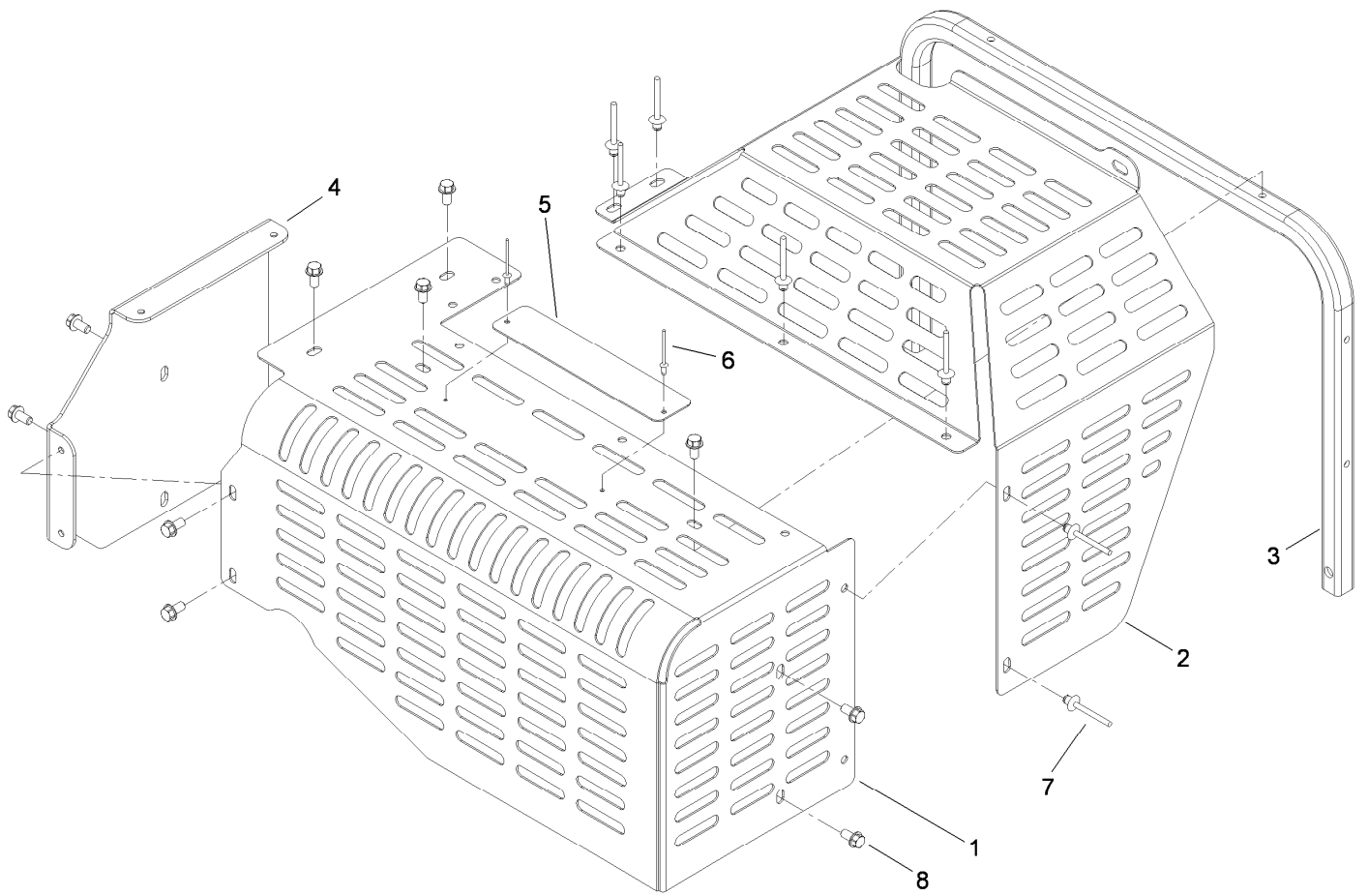
Ref.	Part Number	Qty.	Description
17	2412-72	1	Clip-Closed, Insulated
20	117-1221	1	Canister-Carbon, 800Cc
21	99-9415	1	Hose-Fuel
22	115-7854	1	Filter-Fuel, Inline
23	3296-56	2	Nut-Lock, NI
24	114-0292	1	Bracket-Canister, Carbon
25	3229-10	2	Screw-CARR
26	115-4736	1	Hose-Fuel
27	133-8499	1	Valve-Check, Vacuum
28	51-3217	1	Hose-Fuel
29	2412-146	2	Clamp-Hose
30	114-3765	1	Hose-Fuel
31	121-0743	1	Adapter-Orifice
32	133-8095	1	Decal-CE

● Obtain parts from [www.kohlerplus.com](http://www.kohlerplus.com)



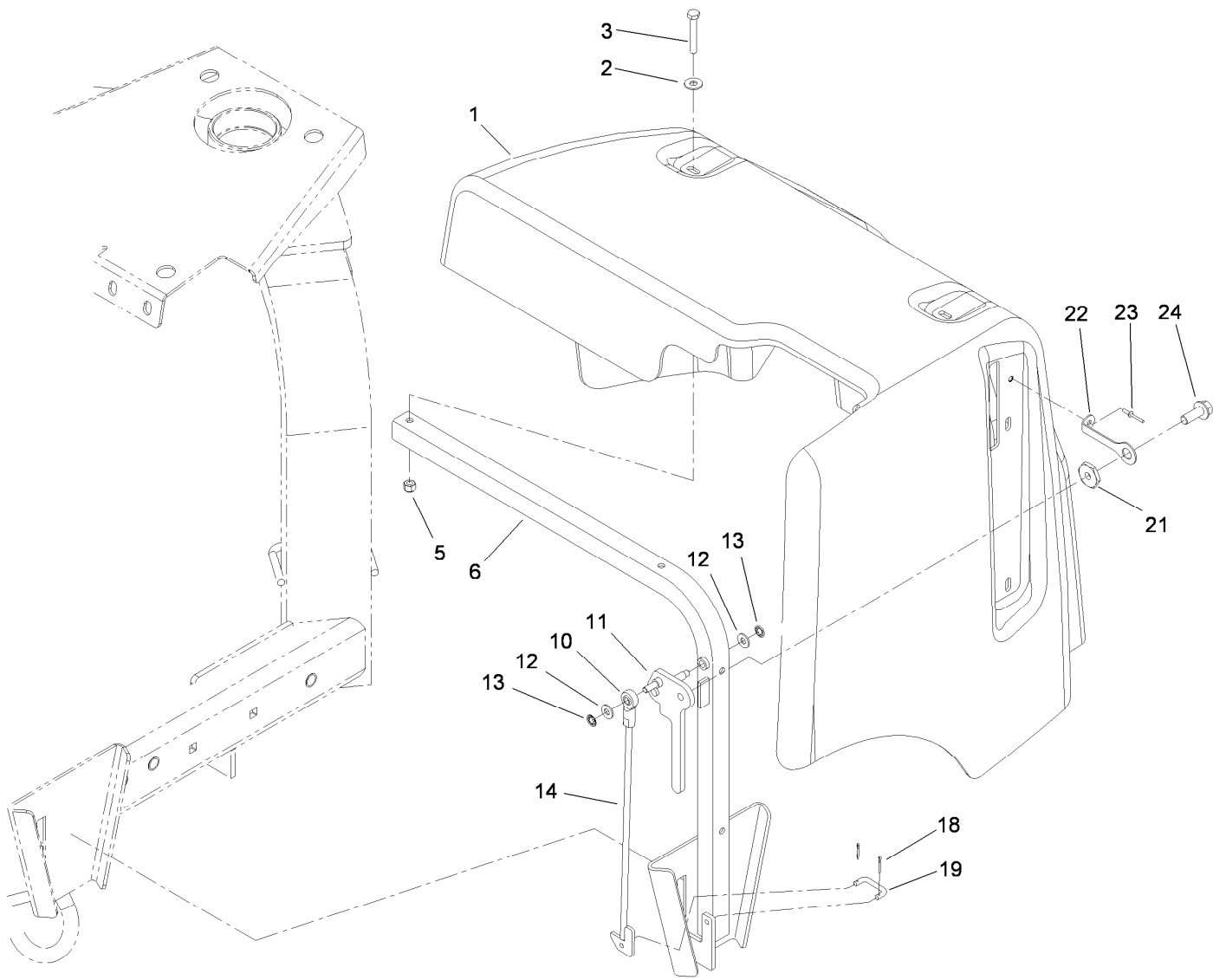
## Rear Hood and Muffler Shield Assembly

<i>Ref.</i>	<i>Part Number</i>	<i>Qty.</i>	<i>Description</i>	<i>Ref.</i>	<i>Part Number</i>	<i>Qty.</i>	<i>Description</i>
1	104-2408	8	Screw-HSBH	12	105-4886	2	Nut-Tinnerman
2	103-2897	4	Latch-Catch	13	3234-1	3	Screw-HHF
3	106-8852	1	Decal	14	107-7546	1	Shield ASM
4	67-7310	1	Decal	16	3234-18	2	Screw-HHF
5	106-8856	1	Decal - Tine Depth, CE	17	104-8301	2	Nut-HF, NI
6	110-1494	1	Hood-Rear	18	115-4734	1	Canister Bracket ASM
7	107-7507	3	Pad-Foam	19	110-1499	2	Plate-Reinforcement
8	110-4672	2	Plate-Reinforcement	20	103-2898	4	Latch-Rubber
9	3296-2	8	Nut-Lock, NI	21	3296-42	4	Nut-Lock, NI
10	323-53	2	Screw-HH	22	3274-31	4	Screw-HSBH
11	110-4673	2	Lock-Latch, CE	23	32151-72	2	Ring-Retaining



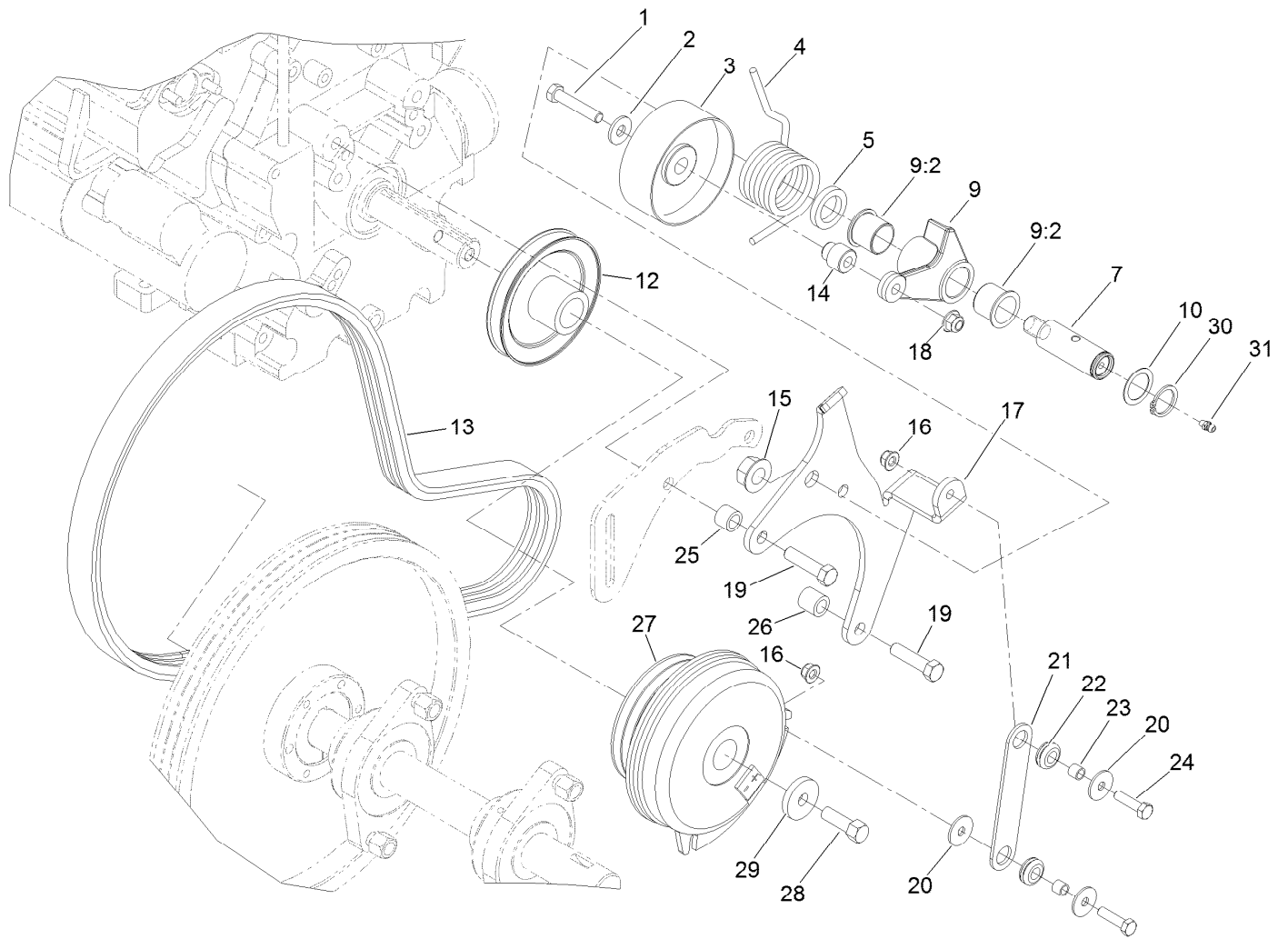
## Shield Assembly No. 107-7546

<i>Ref.</i>	<i>Part Number</i>	<i>Qty.</i>	<i>Description</i>
1	106-8903-01	1	Shield-Muffler
2	106-8904-03	1	Shield-Clutch
3	106-8848-01	1	Tube-Shield, Muffler
4	106-8906-01	1	Bracket-Shield, Muffler
5	140-8962	1	Artwork-Plate, Warning, Procore
6	3269-32	2	Rivet-Pop
7	93-8744	7	Rivet-Blind
8	32144-4	10	Screw-HWH



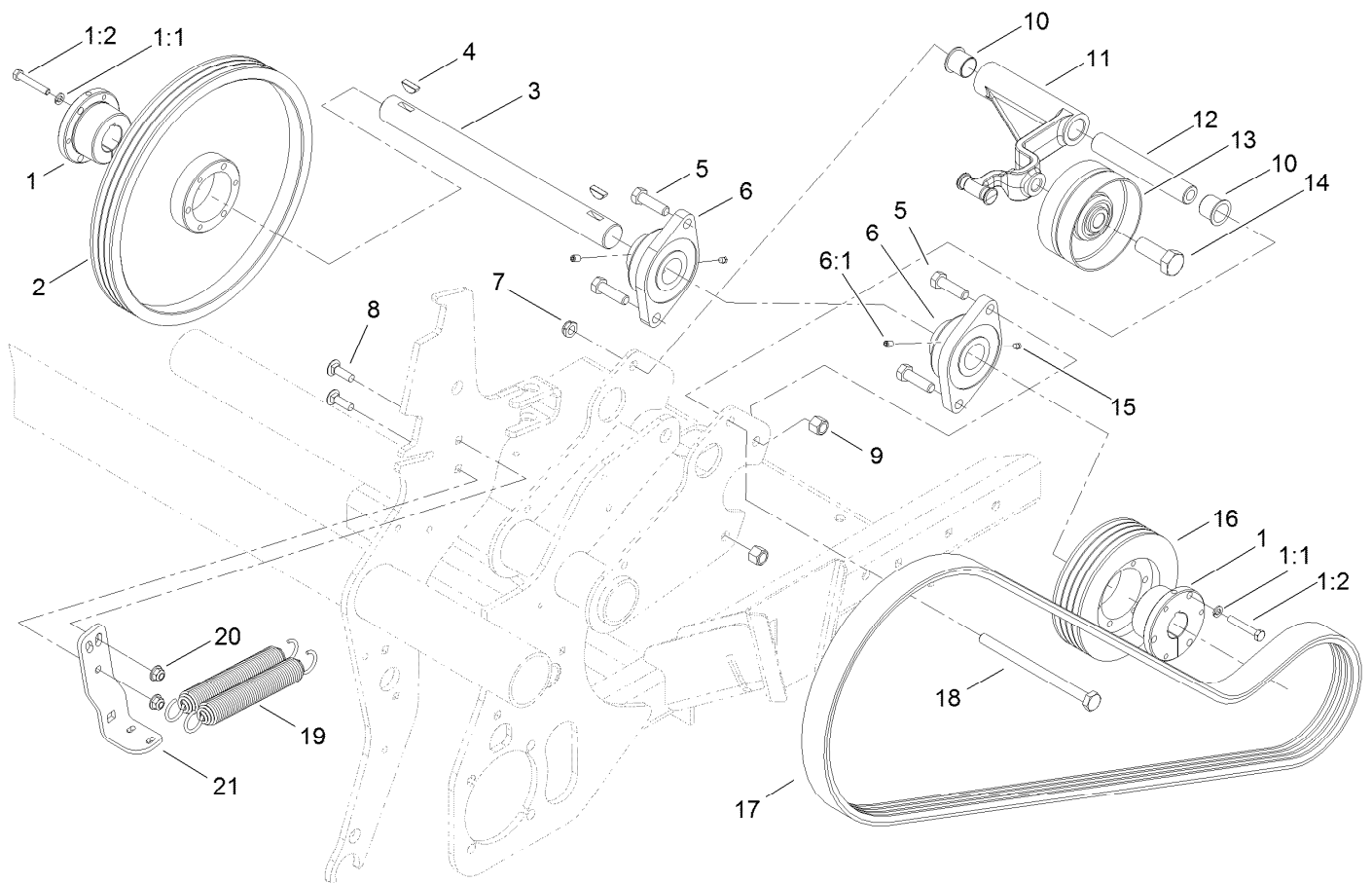
## Jackshaft Hood Assembly

<i>Ref.</i>	<i>Part Number</i>	<i>Qty.</i>	<i>Description</i>	<i>Ref.</i>	<i>Part Number</i>	<i>Qty.</i>	<i>Description</i>
1	106-8901	1	Hood-Front	13	104-8310	2	Ring-Retaining
2	100-2400	4	Washer	14	106-8928	1	Hook ASM
3	321-10	4	Screw-HH	18	3272-1	2	Pin-Cotter
5	3296-42	4	Nut-Lock, NI	19	69-9140	1	Link-Lever, Valve
6	106-8846-03	1	Frame-Hood	21	117-8347	1	Nut-Shoulder
10	2411-41	1	Rod End-Ball Joint	22	117-8339	1	Lanyard-3 Inch
11	115-4737-03	1	Lever-Hood	23	3290-55	1	Rivet-Pop
12	3256-22	2	Washer-Flat	24	3234-42	1	Screw-HHF



## Primary Belt Drive Assembly

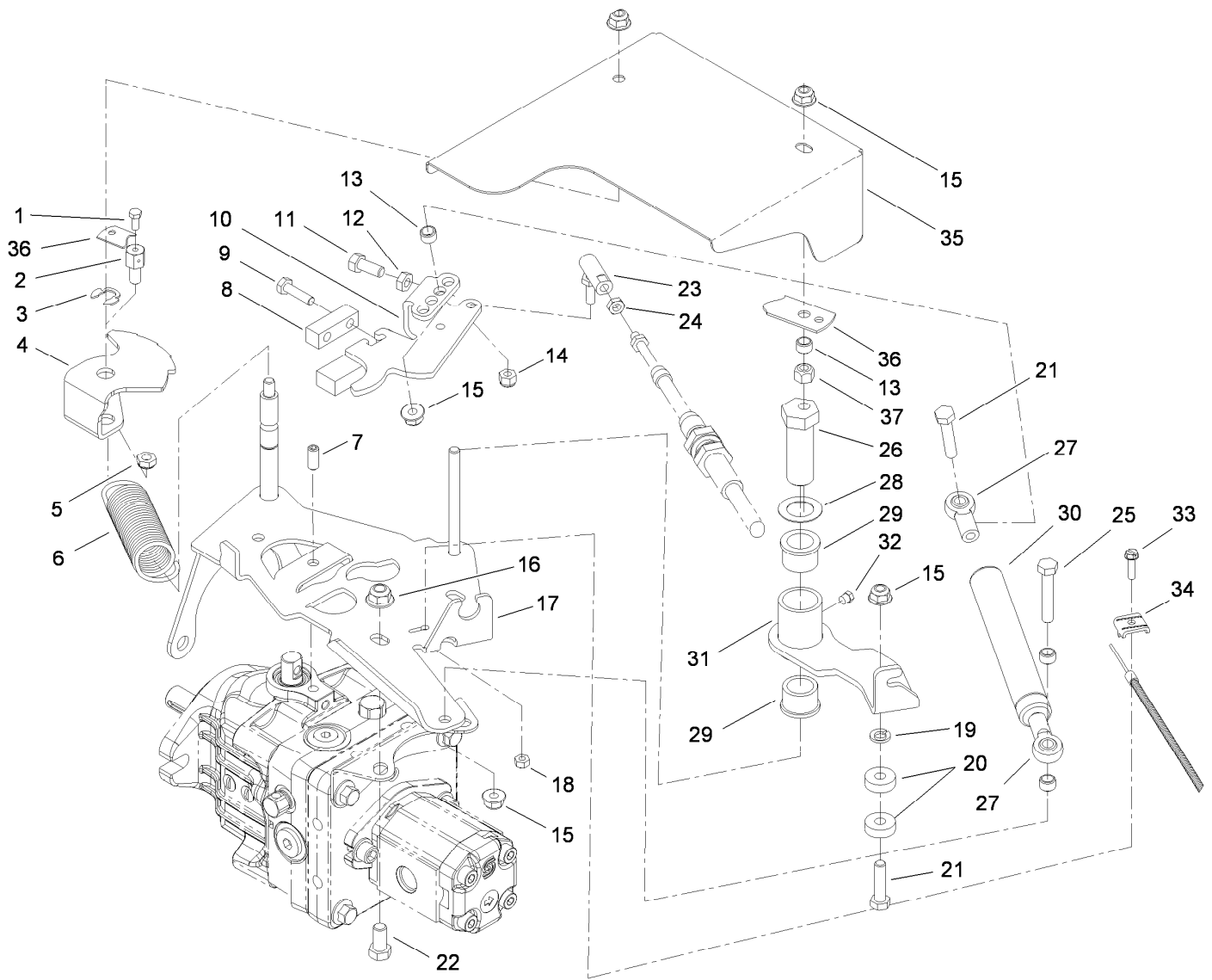
<i>Ref.</i>	<i>Part Number</i>	<i>Qty.</i>	<i>Description</i>	<i>Ref.</i>	<i>Part Number</i>	<i>Qty.</i>	<i>Description</i>
1	323-10	1	Screw-HH	18	104-8301	1	Nut-HF, NI
2	80-6990	1	Washer-Hardened	19	324-7	3	Screw-HH
3	140-8561	1	Pulley-Idler	20	3256-82	3	Washer-Flat
4	115-3488	1	Spring-Torsion	21	107-3382	1	Strap-Clutch
5	99-3625	1	Spacer-Arm, Idler	22	1-633630	2	Grommet
7	99-3624	1	Shaft-Pivot, Idler	23	1-633545	2	Spacer
9	137-1653	1	Idler Arm ASM	24	322-6	2	Screw-HH
9:2	126-1963	2	Bushing-Pivot	25	68-5440	2	Spacer
10	74-1810	1	Washer	26	105-0985	1	Spacer-Support, Idler
12	107-3379	1	Pulley	27	108-2126	1	Clutch-Electric
13	105-0989	1	Belt-3V	28	26-0671	1	Screw-HH
14	99-3622	1	Spacer-Idler	29	1-543610	1	Washer-Clutch
15	32128-54	1	Nut-HF	30	32151-36	1	Ring-Retaining
16	104-8300	2	Nut-HF, NI	31	302-5	1	Fitting-Grease
17	115-4724-03	1	Bracket-Mounting, Idler				



## Secondary Belt Drive Assembly

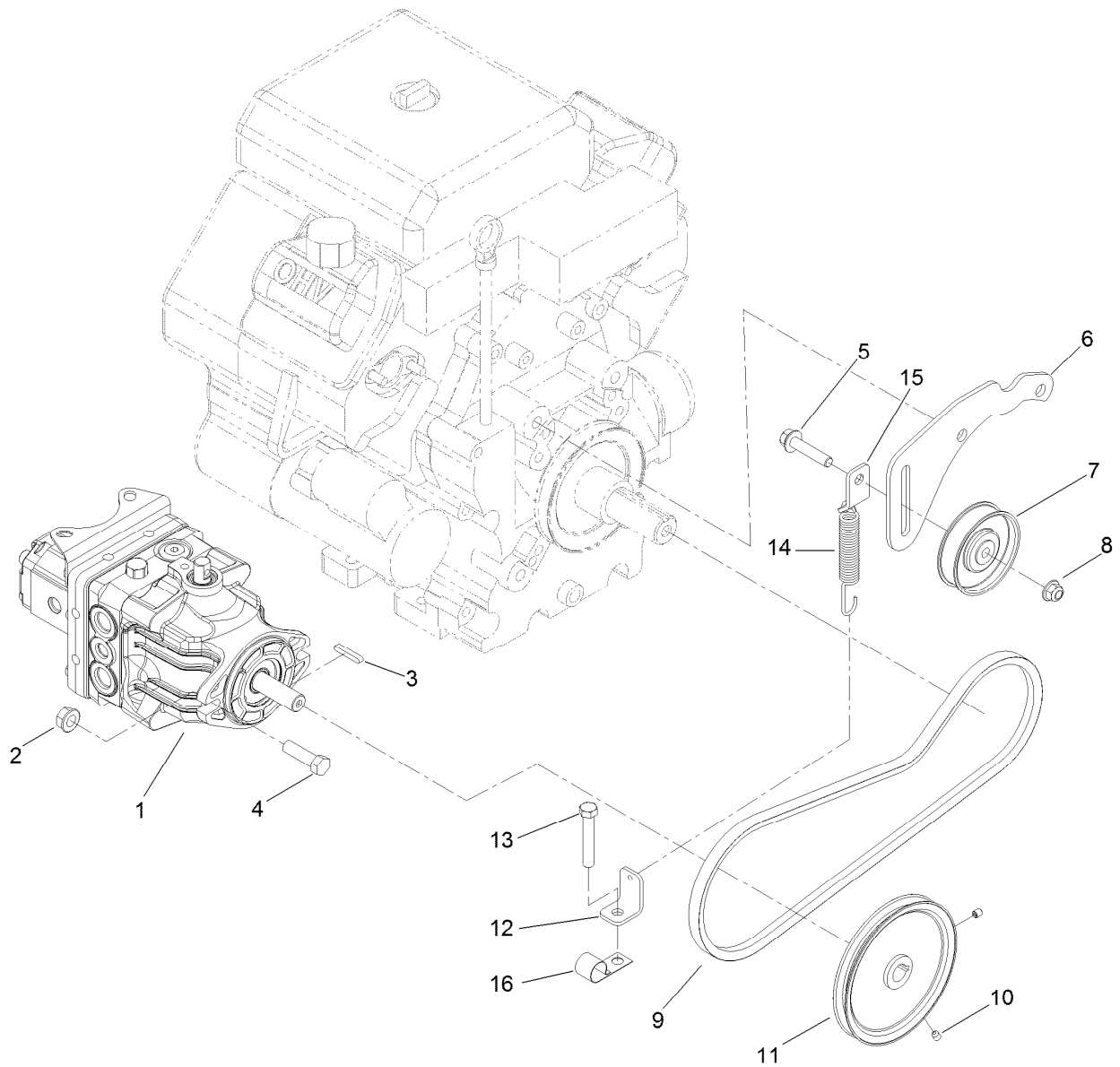
<i>Ref.</i>	<i>Part Number</i>	<i>Qty.</i>	<i>Description</i>	<i>Ref.</i>	<i>Part Number</i>	<i>Qty.</i>	<i>Description</i>
1	59-3790	2	Bushing-Lock, Taper	10	126-1963	2	Bushing-Pivot
1:1	3253-4	3	Washer-Lock	11	105-1132-03	1	Arm-Idler
1:2	120-6000	3	Bolt-TAP, HH	12	105-1172	1	Tube-Pivot, Idler
2	105-0977	1	Pulley-3V	13	100-7631	1	Pulley-Idler
3	105-0975	1	Jackshaft	14	328-24	1	Screw-HH
4	3257-42	2	Key-Woodruff	15	302-59	2	Plug-EXT Hex Spl
5	325-7	4	Screw-HH	16	105-0976	1	Pulley-3V
6	105-0962	2	Bearing-Mount, Flange	17	105-0991	1	Belt-Banded, 4 Groove
6:1	3246-17	1	Setscrew-HSH	18	325-36	1	Screw-HH
7	3296-45	1	Nut-Hex	19	106-8933	2	Spring-Extension
8	3231-25	2	Bolt-CARR	20	104-8301	2	Nut-HF, NI
9	3296-23	4	Nut-Lock, NI	21	105-1118-03	1	Arm-Spring, Idler





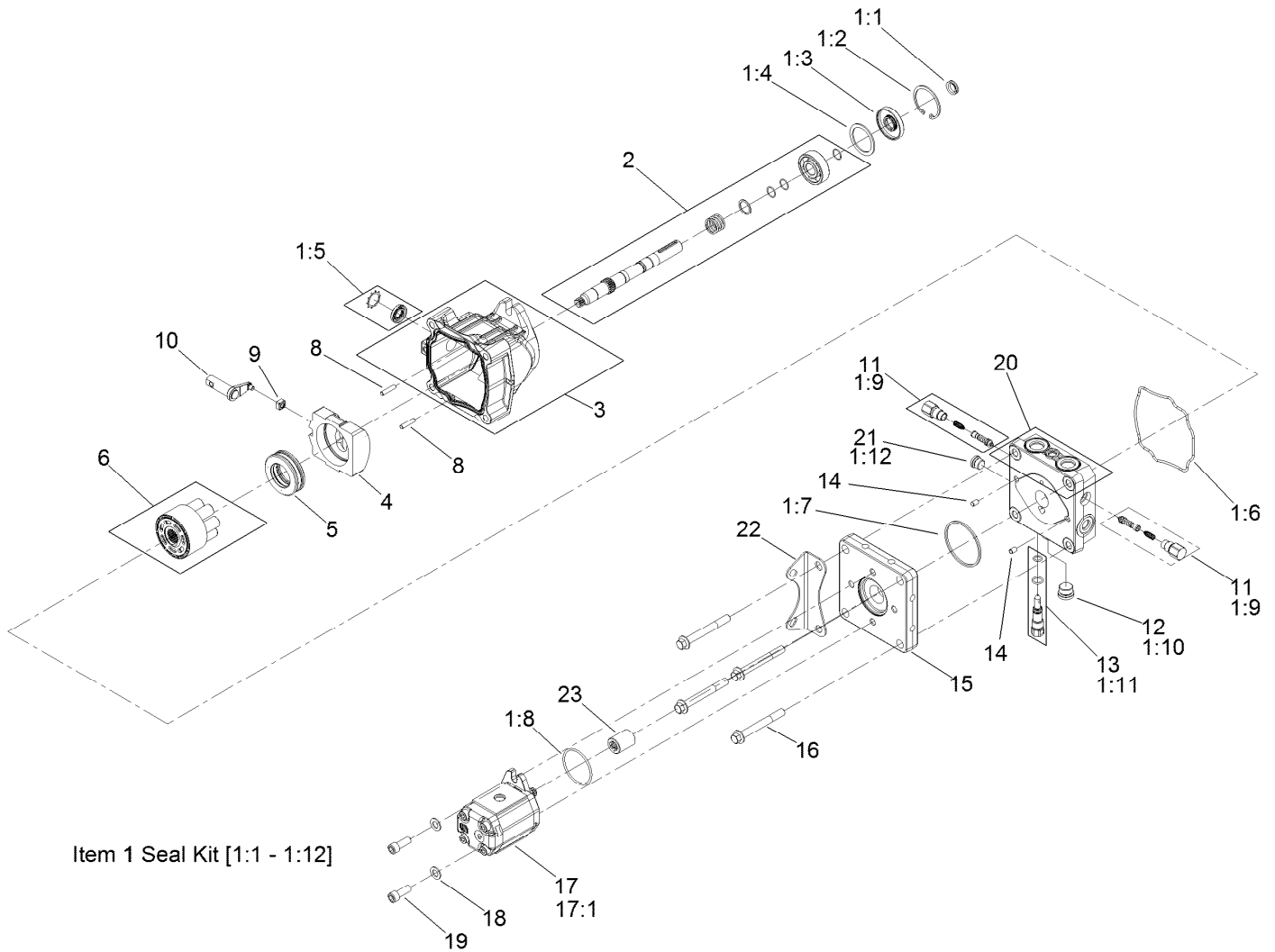
## Hydro Control Assembly

Ref.	Part Number	Qty.	Description	Ref.	Part Number	Qty.	Description
1	25-8640	1	Screw-HH	20	251-259	2	Bearing-Ball
2	98-9311	1	Swivel-Throttle	21	322-7	2	Screw-HH
3	32151-68	1	Ring-Retaining	22	323-4	2	Screw-HH
4	105-1129-01	1	Pivot-Selector, Speed	23	2411-34	1	Joint-Ball
5	3296-20	1	Nut-Lock, NI	24	3220-1	1	Nut-Jam
6	115-4712	1	Spring-Extension	25	322-9	1	Screw-HH
7	115-2819	1	Screw-Set, HSH	26	76-8640	1	Stud-Traction
8	105-1109	1	Clamp-Trunnion	27	104-8331	2	End-Rod, Spherical
9	321-6	2	Screw-HH	28	3-6498	1	Washer-Thrust
10	105-1125-01	1	Lever-Pump	29	256-113	2	Bushing-Flange
11	3210-3	1	Screw-HH	30	105-3249	1	Damper
12	3220-2	1	Nut-Jam	31	105-1060-01	1	Lever-Neutral
13	92-3133	4	Spacer-Lever, Traction	32	302-59	1	Plug-EXT Hex Spl
14	3296-3	1	Nut-Lock	33	32105-13	1	Screw-HWH
15	104-8300	5	Nut-HF, NI	34	81-1690	1	Clamp-Cable
16	104-8301	2	Nut-HF, NI	35	107-7578-01	1	Shield-Hydrostat
17	115-2809-01	1	Bracket-Control	36	108-6836	1	Strap-Traction
18	3296-2	1	Nut-Lock, NI	37	3296-29	1	Nut-Lock, NI
19	3253-4	1	Washer-Lock				



## Hydrostat Pump Assembly

Ref.	Part Number	Qty.	Description	Ref.	Part Number	Qty.	Description
1	140-8824	1	Hydrostat And Pump ASM	9	107-7513	1	V-Belt
2	32128-37	2	Nut-HF	10	3245-7	2	Screw-Set
3	103-2739	1	Key	11	105-0988	1	Pulley-Drive
4	324-6	2	Screw-HH	12	107-7583	1	Bracket-L
5	3234-19	1	Screw-HHF	13	104-3396	1	Screw-HH
6	105-1085-03	1	Support-Idler	14	106-4502	1	Spring-Scraper
7	112426	1	Pulley-Idler	15	107-7588	1	Bracket-Spring
8	104-8301	1	Nut-HF, NI	16	2412-150	1	Clip-J

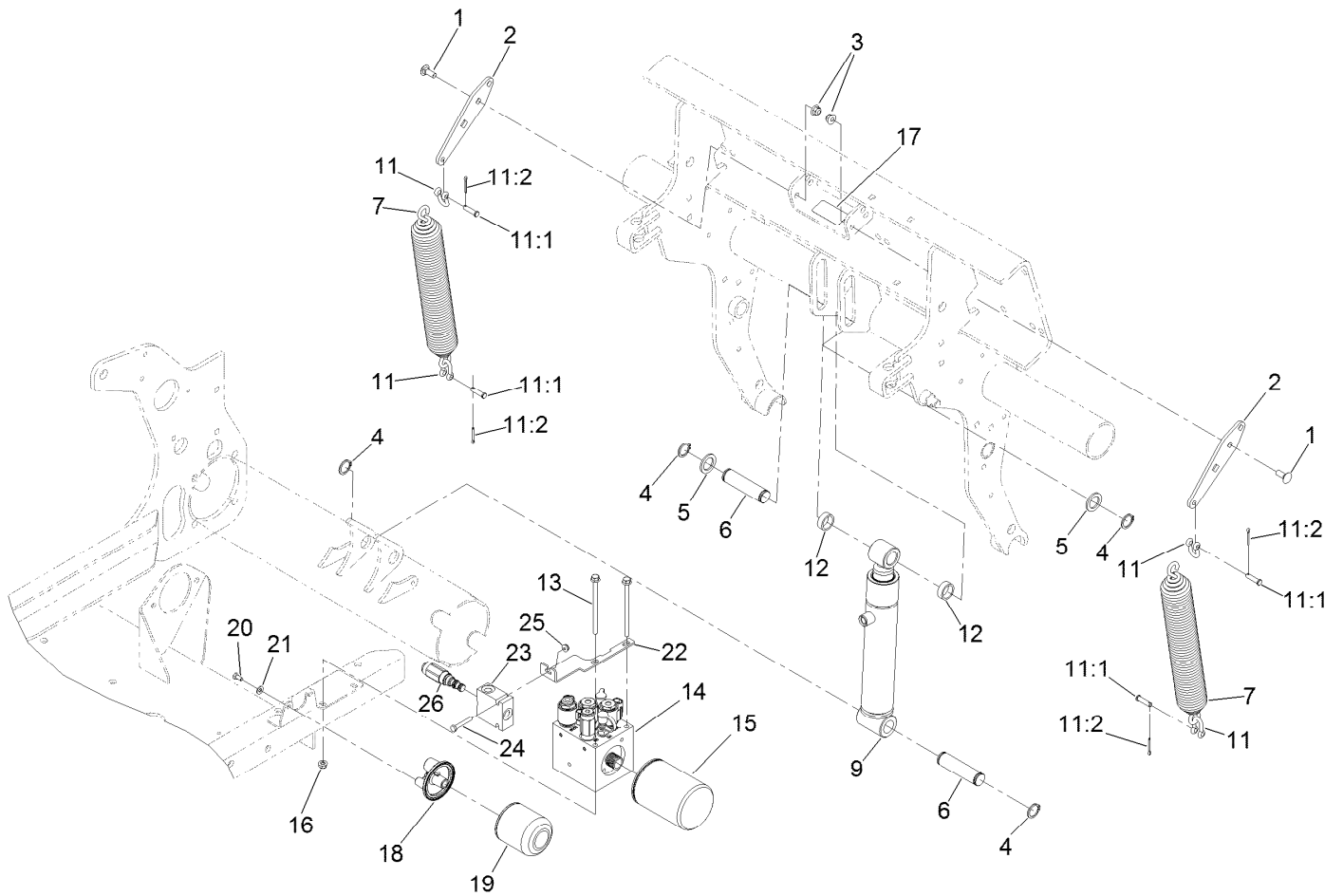


Item 1 Seal Kit [1:1 - 1:12]

## Hydrostat and Puimp Assembly No. 140-8824

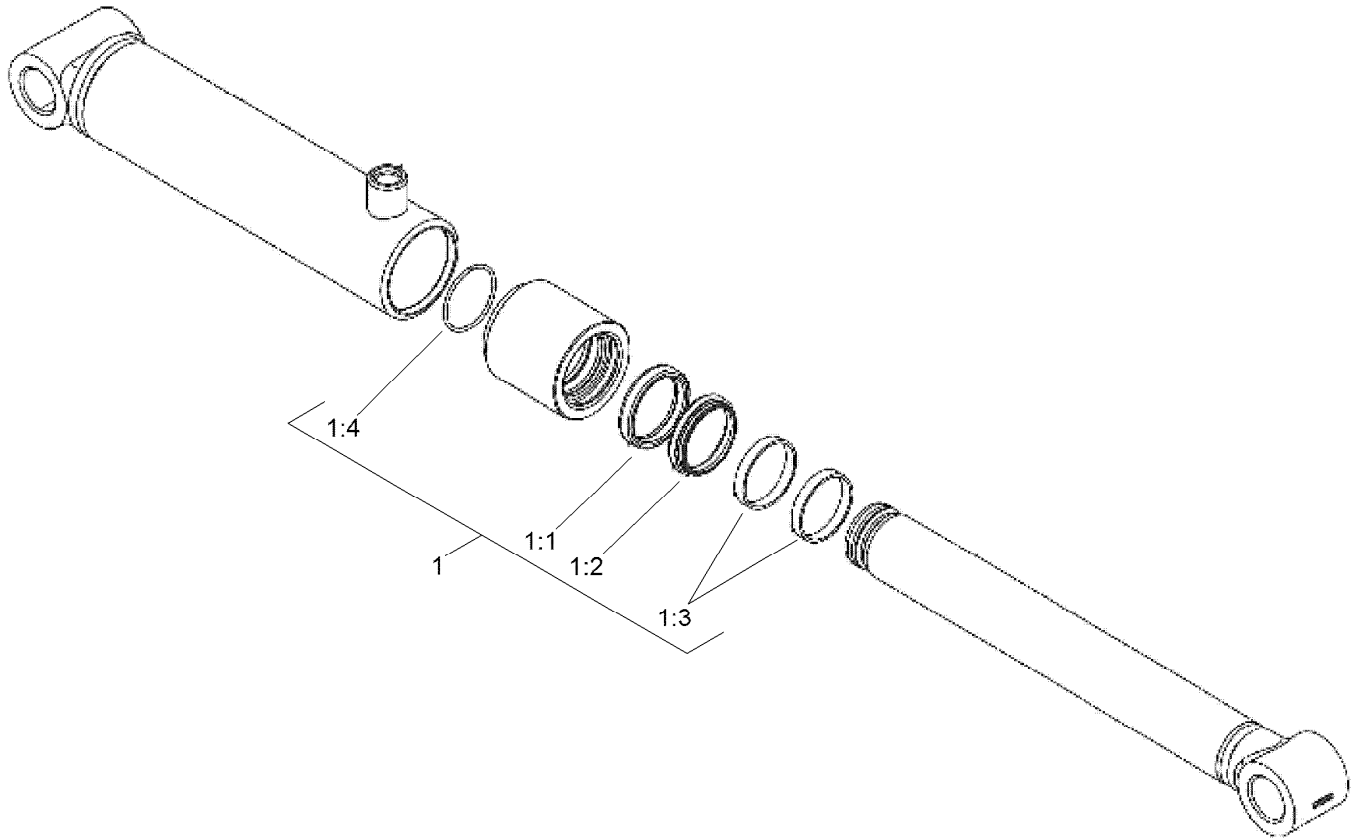
Ref.	Part Number	Qty.	Description	Ref.	Part Number	Qty.	Description
1	108-2110	1	Overhaul Seal Kit	8		2	Pin ●
1:1		1	V-Ring ●	9		1	Slot-Guide ●
1:2		1	Ring-Retaining ●	10		1	Arm-Trunnion ●
1:3		1	Seal-Shaft ●	11	108-2109	2	Shock Valve Kit
1:4		1	Spacer ●	12		1	Plug ●
1:5		1	Seal-Trunnion ●	13	106-8759	1	Bypass Valve Kit
1:6		1	Gasket-Housing ●	14		2	Pin ●
1:7		1	O-Ring, Sq Section ●	15		1	Plate-Adapter ●
1:8		1	O-Ring, Pump ●	16		4	Screw-Hex, Flange Head ●
1:9		2	O-Ring, Shock Valve ●	17	108-2113	1	Pump-HYD
1:10		1	O-Ring, Plug ●	17:1	106-6362	1	Seal Kit
1:11		1	O-Ring, Bypass ●	18		2	Washer ●
1:12		1	O-Ring, Plug ●	19		2	Capscrew-SHH ●
2		1	Pump Shaft Kit ●	20		1	Endcap Kit ●
3		1	Housing ●	21		1	Plug ●
4		1	Swashplate-Variable ●	22		1	Bracket-Mount ●
5		1	Thrust Bearing ASM ●	23	108-6843	1	Coupling
6	120-1092	1	Cylinder Block Kit				

● Not serviced separately



## Lift System Assembly

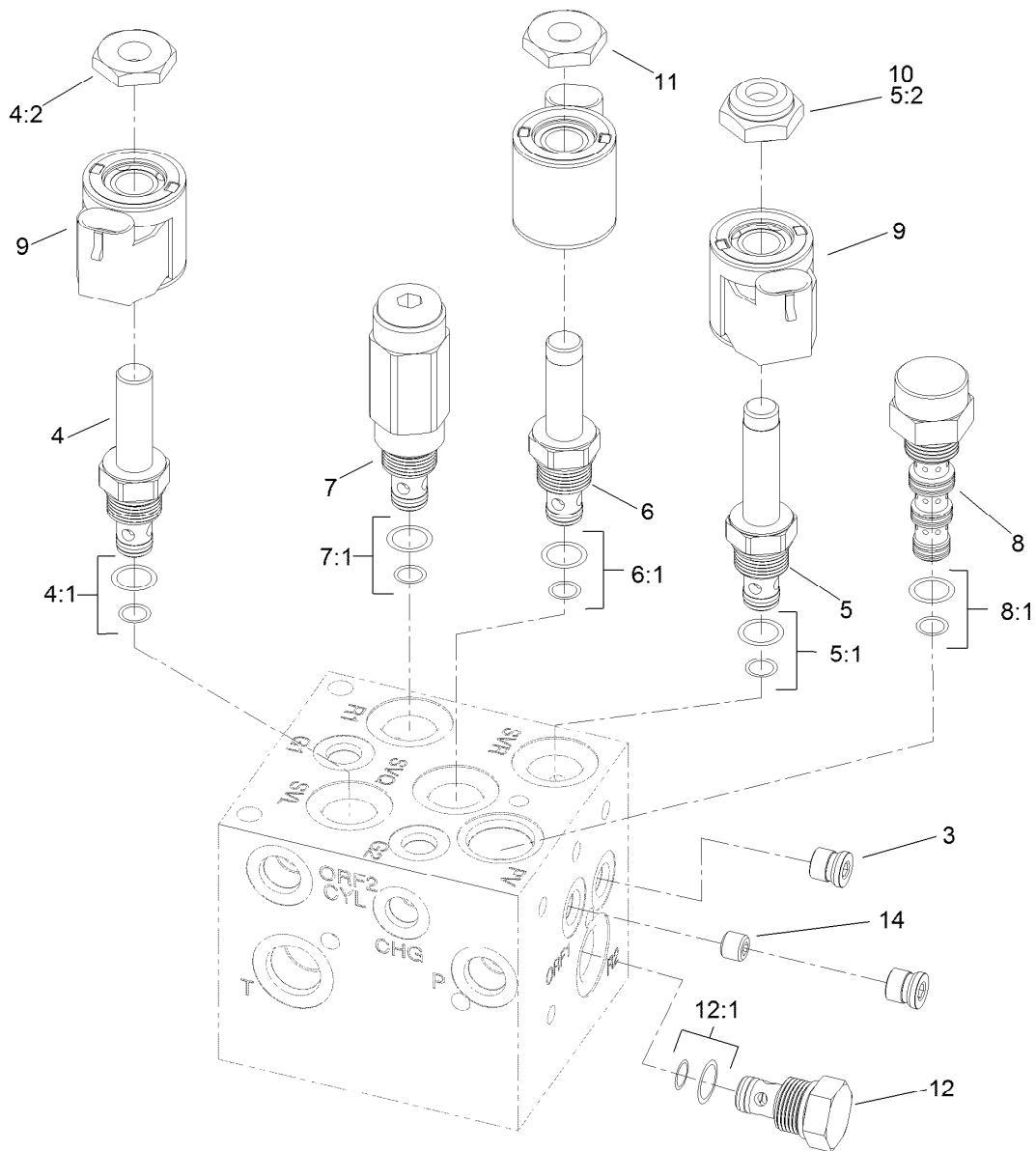
Ref.	Part Number	Qty.	Description	Ref.	Part Number	Qty.	Description
1	3231-2	4	Bolt-CARR	14	106-8802	1	Manifold-Control
2	105-1190-01	2	Plate-Tension, Spring	15	107-9531	1	Filter-Oil, HYD
3	104-8301	4	Nut-HF, NI	16	104-8300	2	Nut-HF, NI
4	32151-36	4	Ring-Retaining	17	93-6696	1	Decal-Warning
5	256-115	2	Washer-Thrust	18	103-2888	1	Head-Filter
6	105-1031	2	Pin-Cylinder	19	1-633750	1	Filter-Oil, HYD
7	105-1156-03	2	Spring-Extention	20	321-2	2	Screw-HH
9	140-2205	1	Cylinder-Hydraulic	21	3256-22	2	Washer-Flat
11	282-4	4	Shackle	22	140-2244-01	1	Bracket-Manifold
11:1	283-6	1	Pin-Clevis	23	131-8638	1	Block-Manifold
11:2	3272-11	1	Pin-Cotter	24	321-10	1	Screw-HH
12	88-7530	2	Spacer	25	104-7201	1	Nut-HF, NI
13	126-5896	2	Screw HHF	26	132-4893	1	Valve-Sequence, 110 PSI



## Hydraulic Cylinder Assembly No. 140-2205

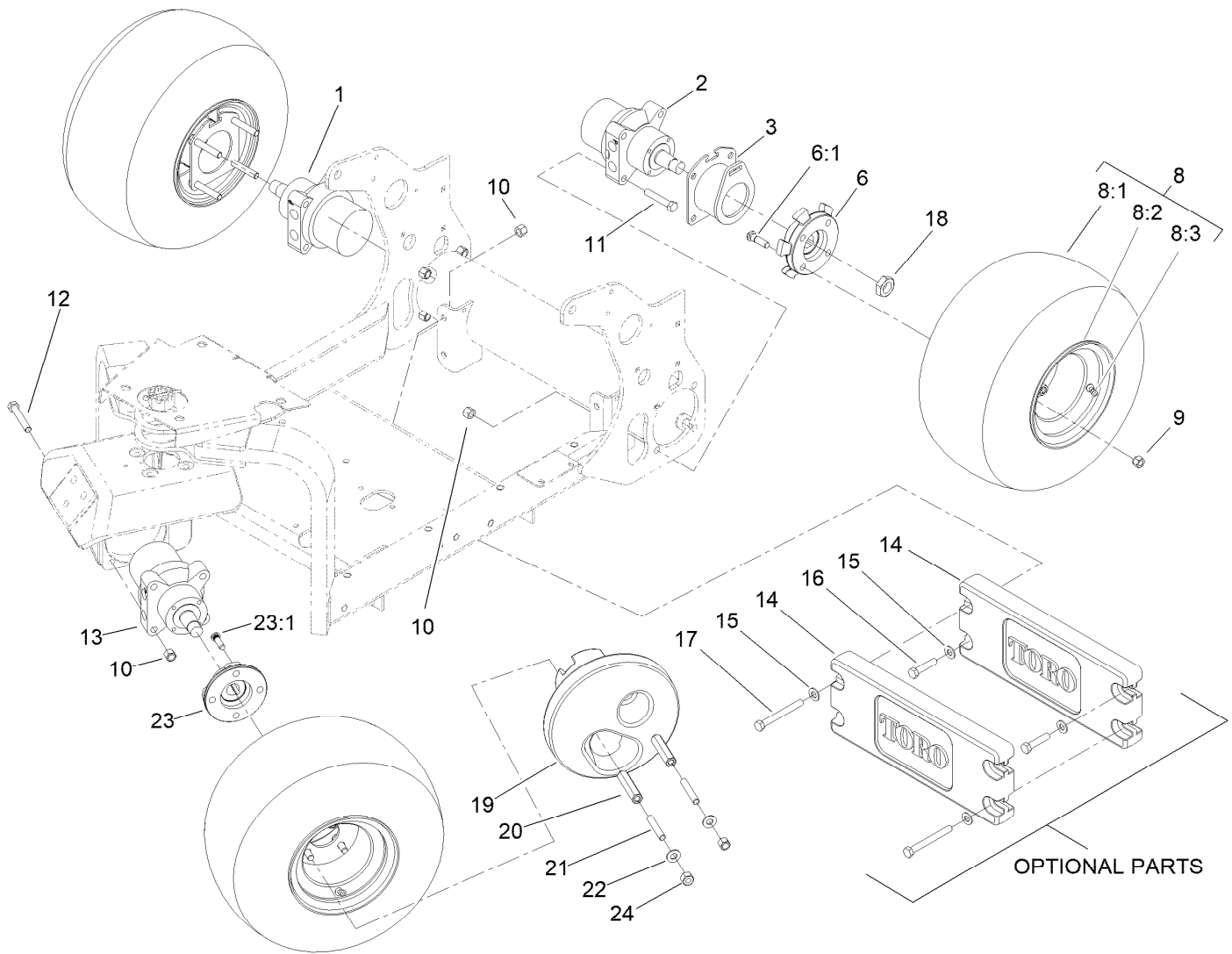
<i>Ref.</i>	<i>Part Number</i>	<i>Qty.</i>	<i>Description</i>
1	140-2207	1	Seal Kit
1:1		1	Rod Seal ●
1:2		1	Rod Wiper ●
1:3		2	Wear Ring ●
1:4		1	Wire Ring ●

● Not serviced separately



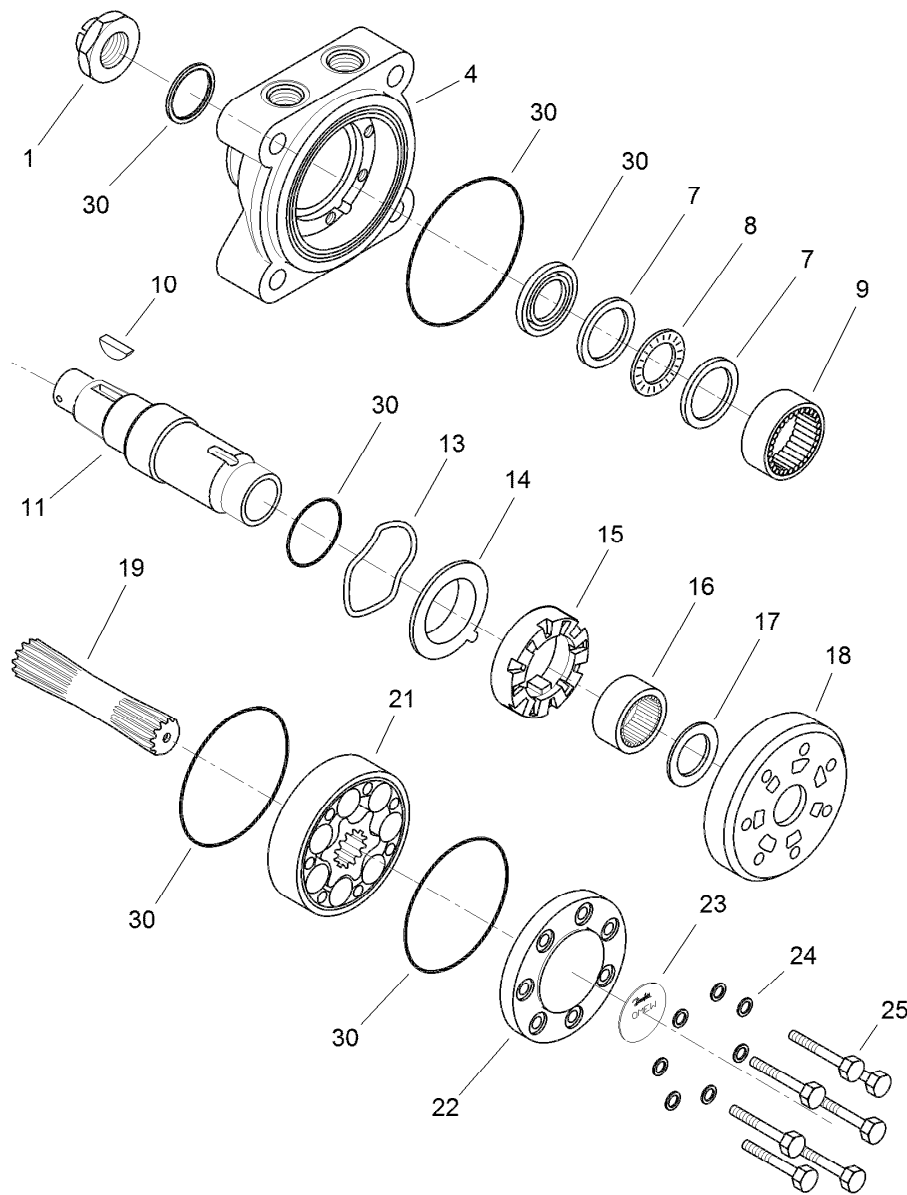
## Control Manifold Assembly No. 106-8802

Ref.	Part Number	Qty.	Description	Ref.	Part Number	Qty.	Description
3	106-1025	2	Plug-HYD	7:1	105-9156	1	Seal Kit
4	112-9206	1	Solenoid Valve ASM	8	107-7520	1	Compensator-Pressure (W/Screen)
4:1	105-9156	1	Seal Kit	8:1	110-8908	1	Spool Valve Seal Kit
4:2	110-2634	1	Nut-Coil	9	110-0497	3	Coil-Solenoid
5	107-7517	1	Valve-Solenoid	10	107-7522	1	Nut-E Coil
5:1	105-9156	1	Seal Kit	11	105-9332	2	Nut-E Coil
5:2	107-7812	1	Nut-Solenoid	12	107-7524	1	Check Valve ASM
6	107-7518	1	Valve-Solenoid	12:1	105-9156	1	Seal Kit
6:1	107-7527	1	Seal Kit	14	110-0495	1	Plug-Orifice (0.050 Inch)
7	107-7519	1	Valve-Relief, 900 PSI				



## Wheel and Motor Assembly

Ref.	Part Number	Qty.	Description	Ref.	Part Number	Qty.	Description
1	106-8807	1	HYD Motor ASM	13	106-8808	1	HYD Motor ASM
2	106-8806	1	HYD Motor ASM	14	99-6166-01	2	Counterweight-Front
3	140-6269	2	Parking Latch Supt	15	3256-26	4	Washer-Flat
6	140-6277	2	Wheel Hub ASM	16	325-9	2	Screw-HH
6:1	10-6830	4	Stud-Type, Drive	17	325-18	2	Screw-HH
8	114-4665	3	Tire ASM	18	26-3790	3	Nut-Lock
8:1	70-8500	1	Tire-Smooth, 4-Ply	19	107-3396-03	1	Weight-Wheel
8:2	114-4643	1	Wheel	20	107-3399	2	Adapter-Weight, Wheel
8:3	232-27	1	Stem-Valve	21	105-1088	2	Stud
9	242-50	10	Nut-Lug	22	87-7270	2	Washer-Thrust
10	3296-23	16	Nut-Lock, NI	23	140-6278	1	Wheel Hub ASM
11	325-11	8	Screw-HH	23:1	10-6830	4	Stud-Type, Drive
12	325-13	4	Screw-HH	24	3296-25	2	Nut-Lock, NI

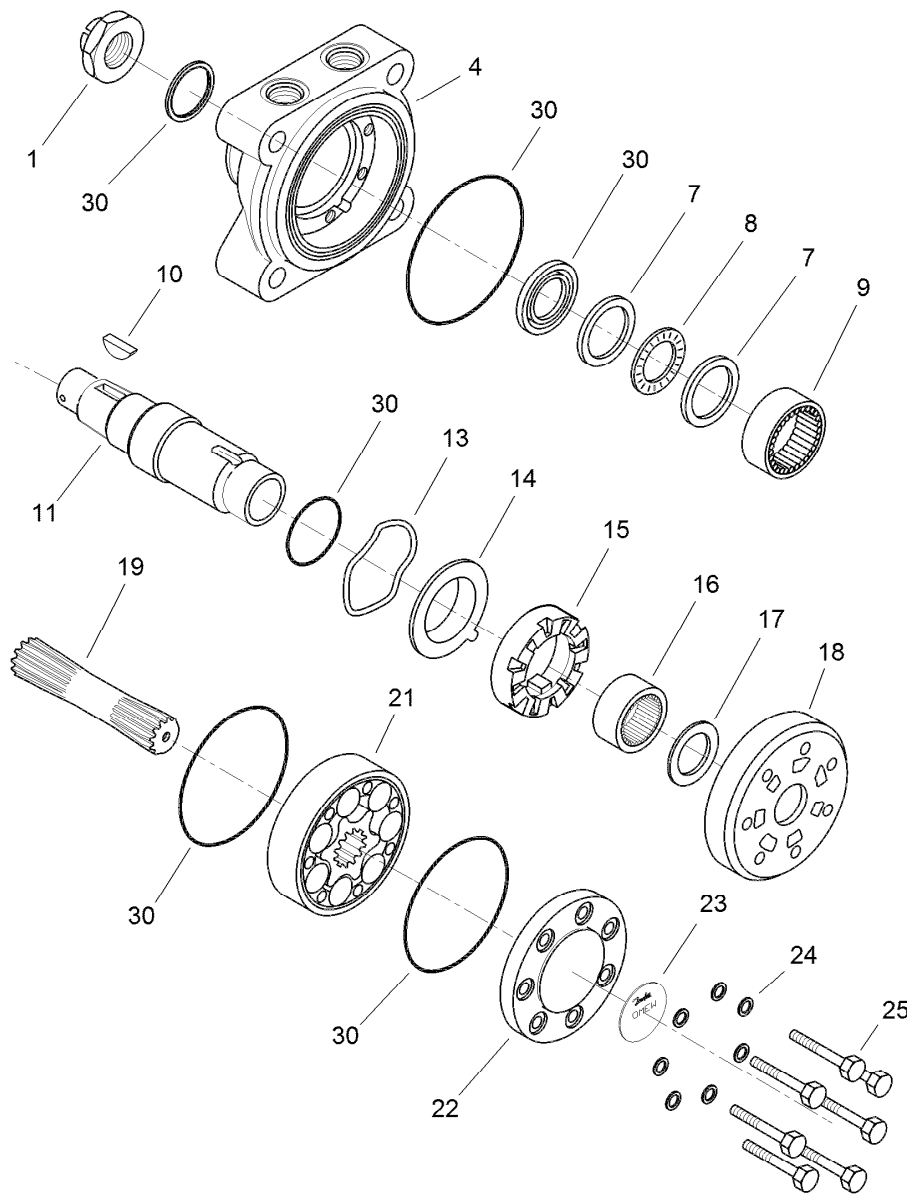


## (CW) Hydraulic Motor Assembly No. 106-8807

Ref.	Part Number	Qty.	Description	Ref.	Part Number	Qty.	Description
1		1	Nut-Castellated ●	16		1	Bearing-Needle, Radial ●
4		1	Housing ●	17		1	Race-Bearing ●
7		2	Race-Bearing ●	18		1	Plate-Distributor ●
8		1	Bearing-Needle, Axial ●	19		1	Shaft-Cardan ●
9		1	Bearing-Needle, Radial ●	21		1	Gearwheel Set ●
10	3257-42	1	Key-Woodruff	22		1	Cover-End ●
11		1	Shaft-Tapered ●	23		1	Plate-Name ●
13		1	Washer-Spring ●	24		7	Washer ●
14		1	Plate-Balance ●	25		7	Screw ●
15		1	Disc-Valve ●	30	109-5966	1	Wheel Motor Seal Kit

● Not serviced separately

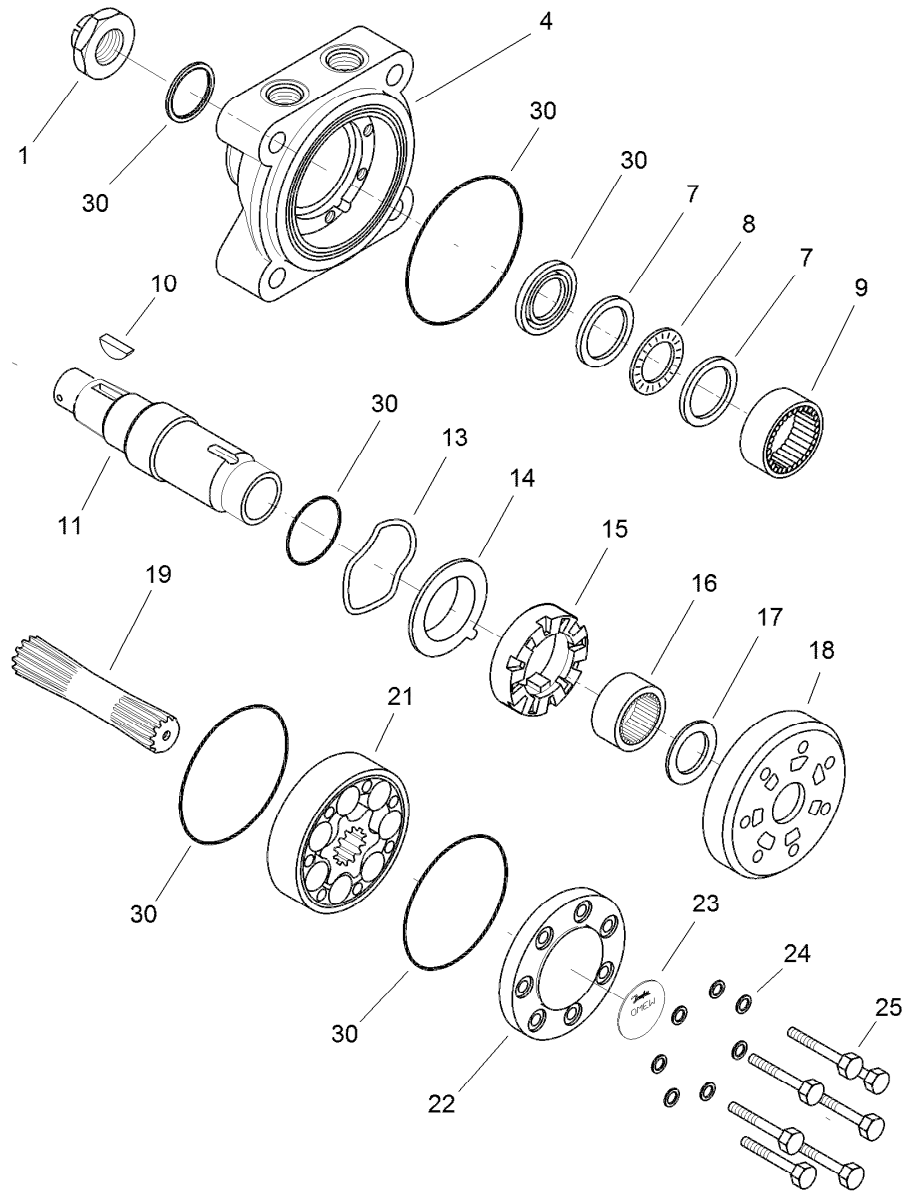




## (CCW) Hydraulic Motor Assembly No. 106-8806

Ref.	Part Number	Qty.	Description	Ref.	Part Number	Qty.	Description
1		1	Nut-Castellated ●	16		1	Bearing-Needle, Radial ●
4		1	Housing ●	17		1	Race-Bearing ●
7		2	Race-Bearing ●	18		1	Plate-Distributor ●
8		1	Bearing-Needle, Axial ●	19		1	Shaft-Cardan ●
9		1	Bearing-Needle, Radial ●	21		1	Gearwheel Set ●
10	3257-42	1	Key-Woodruff	22		1	Cover-End ●
11		1	Shaft-Tapered ●	23		1	Plate-Name ●
13		1	Washer-Spring ●	24		7	Washer ●
14		1	Plate-Balance ●	25		7	Screw ●
15		1	Disc-Valve ●	30	109-5966	1	Wheel Motor Seal Kit

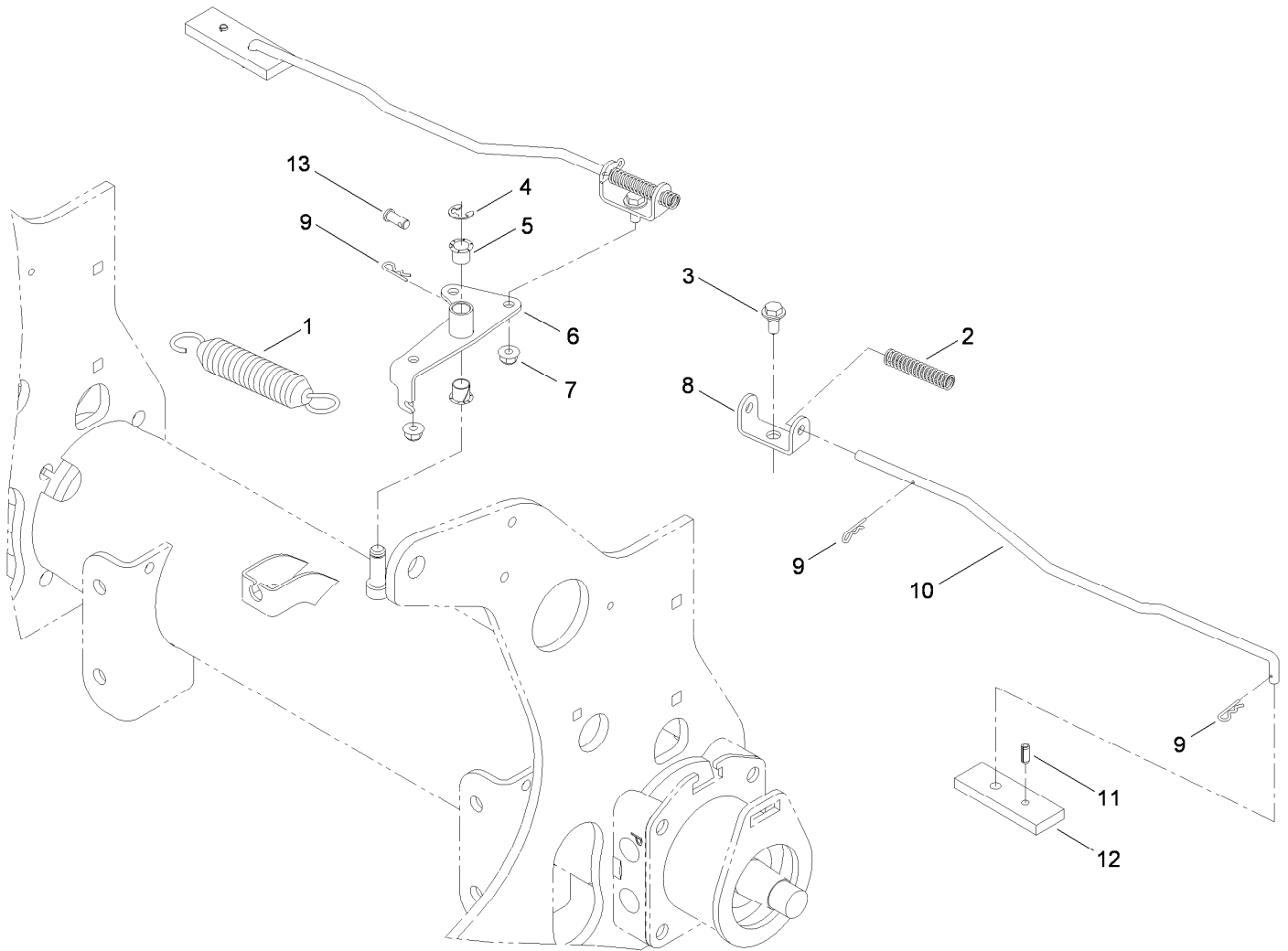
● Not serviced separately



## (CCW) Hydraulic Motor Assembly No. 106-8808

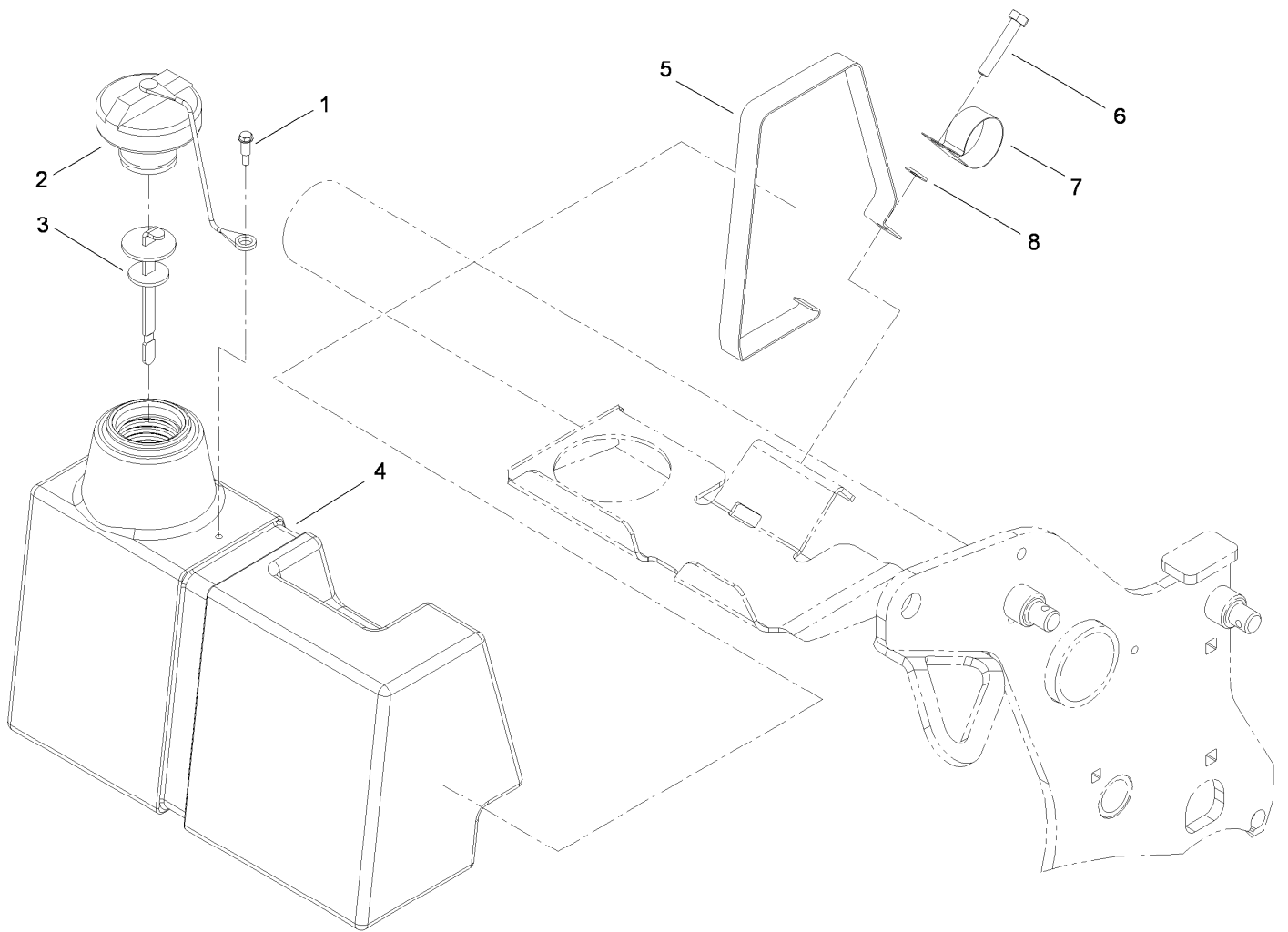
Ref.	Part Number	Qty.	Description	Ref.	Part Number	Qty.	Description
1		1	Nut-Castellated ●	16		1	Bearing-Needle, Radial ●
4		1	Housing ●	17		1	Race-Bearing ●
7		2	Race-Bearing ●	18		1	Plate-Distributor ●
8		1	Bearing-Needle, Axial ●	19		1	Shaft-Cardan ●
9		1	Bearing-Needle, Radial ●	21		1	Gearwheel Set ●
10	3257-42	1	Key-Woodruff	22		1	Cover-End ●
11		1	Shaft-Tapered ●	23		1	Plate-Name ●
13		1	Washer-Spring ●	24		7	Washer ●
14		1	Plate-Balance ●	25		7	Screw ●
15		1	Disc-Valve ●	30	109-5966	1	Wheel Motor Seal Kit

● Not serviced separately



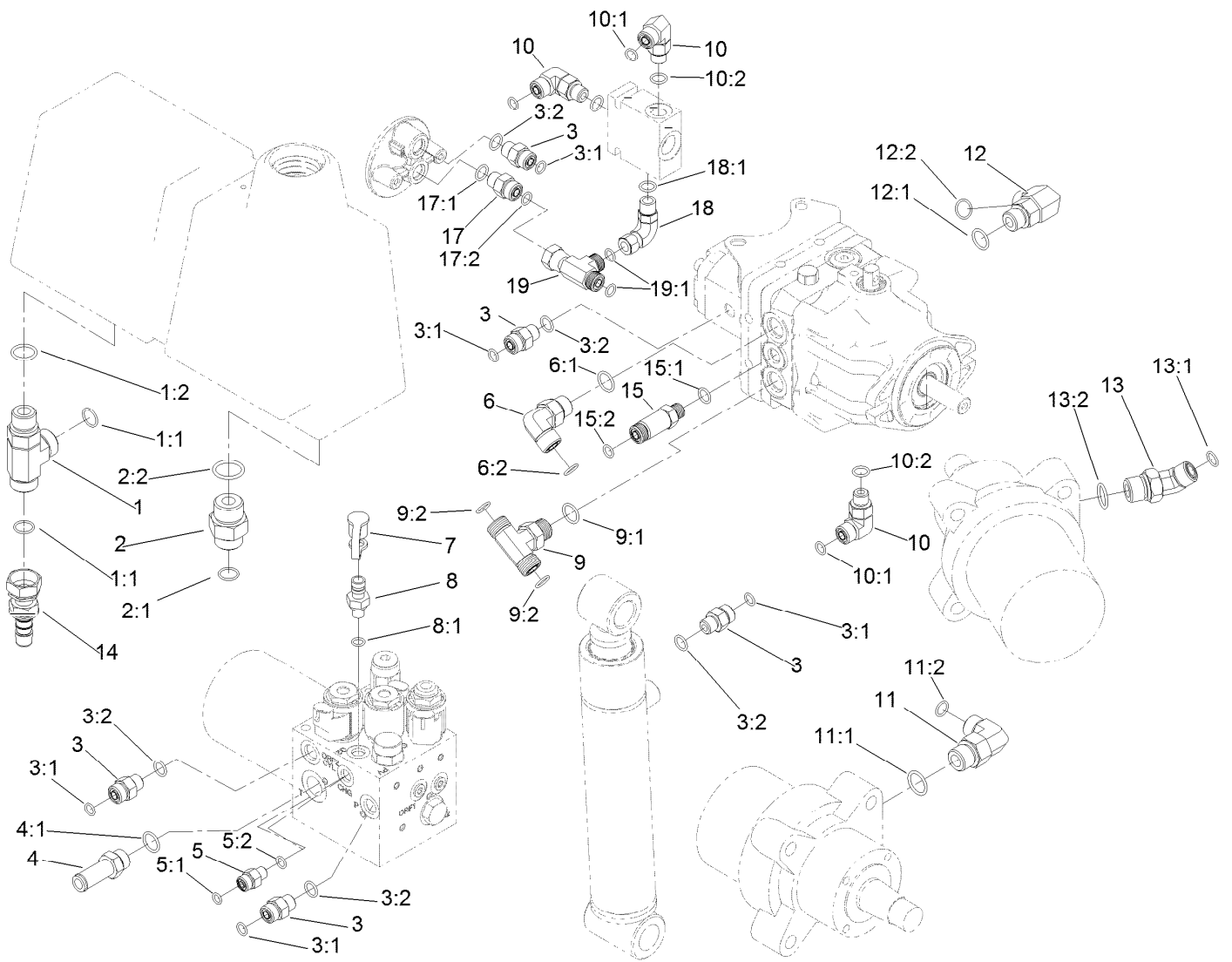
## Brake Latch Assembly

Ref.	Part Number	Qty.	Description
1	66-4270	1	Spring-Extension
2	107-3376	2	Spring-Compression
3	19-1470	2	Screw-Shoulder
4	32120-47	2	Ring-Retaining, External
5	256-257	2	Bushing-Nyliner
6	106-8887-0P	1	Parking Latch Pivot ASM [primed
7	104-8300	2	Nut-HF, NI
8	114-0631	2	Clevis-Latch, Parking
9	3290-307	5	Pin-Cotter
10	106-8886	2	Link-Latch, Parking
11	32121-134	2	Pin-Roll
12	106-8885-03	2	Bar-Latch, Parking
13	283-62	1	Pin-Clevis



## Hydraulic Tank Assembly

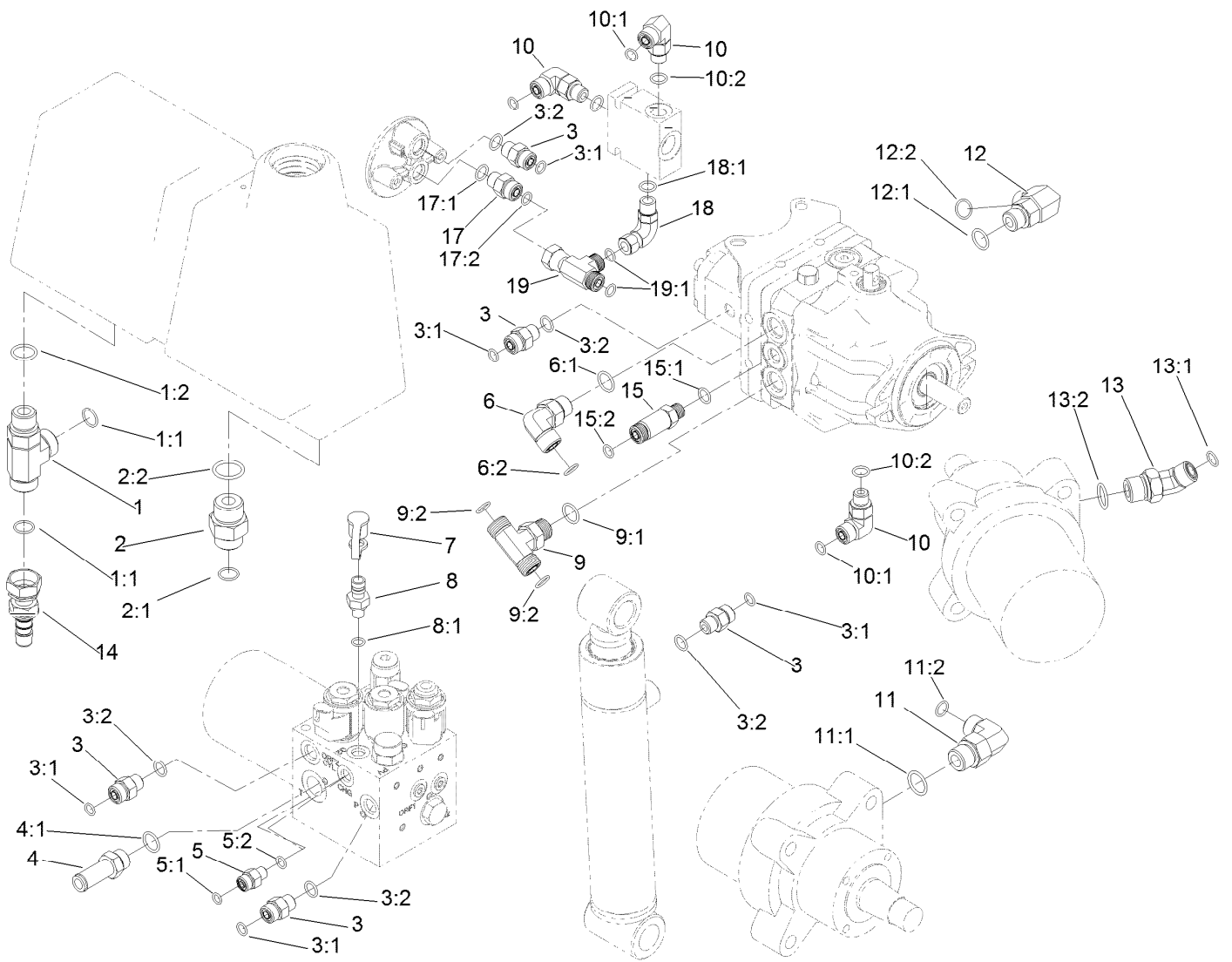
<i>Ref.</i>	<i>Part Number</i>	<i>Qty.</i>	<i>Description</i>
1	57-5420	1	Screw-Shoulder
2	93-7160	1	Cap-Oil, HYD
3	106-8811	1	Dipstick ASM
4	127-4162	1	Reservoir-Oil, HYD
5	94-4642-03	1	Strap-Tank, HYD
6	120-6000	1	Bolt-TAP, HH
7	2412-150	1	Clip-J
8	3256-23	1	Washer-Plain



## Hydraulic Fitting Assembly

Ref.	Part Number	Qty.	Description	Ref.	Part Number	Qty.	Description
1	340-22	1	Fitting-Tee	8	354-77	2	Fitting-Quick
1:1	237-65	2	O-Ring	8:1	237-78	1	O-Ring ●
1:2	237-80	1	O-Ring	9	340-157	1	Fitting-HYD, Tee
2	340-8	1	Fitting-Straight	9:1	237-79	1	O-Ring
2:1	237-65	1	O-Ring	9:2	237-30	2	O-Ring
2:2	237-81	1	O-Ring	10	340-77	3	Fitting-Elbow, 90 DEG
3	340-2	5	Fitting-Straight	10:1	237-22	1	O-Ring
3:1	237-22	1	O-Ring	10:2	237-42	1	O-Ring
3:2	237-42	1	O-Ring	11	340-105	4	Fitting-Elbow, 90 DEG
4	107-7569	1	Fitting-STR	11:1	237-80	1	O-Ring
4:1	237-79	1	O-Ring	11:2	237-30	1	O-Ring
5	340-88	1	Fitting-Straight	12	340-153	1	Fitting-Elbow, 90 DEG
5:1	237-22	1	O-Ring	12:1	237-79	1	O-Ring
5:2	237-78	1	O-Ring	12:2	237-151	1	O-Ring
6	340-98	1	Fitting-Elbow, 90 DEG	13	340-89	2	Fitting-HYD, 45 DEG
6:1	237-79	1	O-Ring	13:1	237-30	1	O-Ring
6:2	237-30	1	O-Ring	13:2	237-80	1	O-Ring
7	354-79	2	Cap-Dust	14	107-7568	1	Fitting-HYD, Barbed

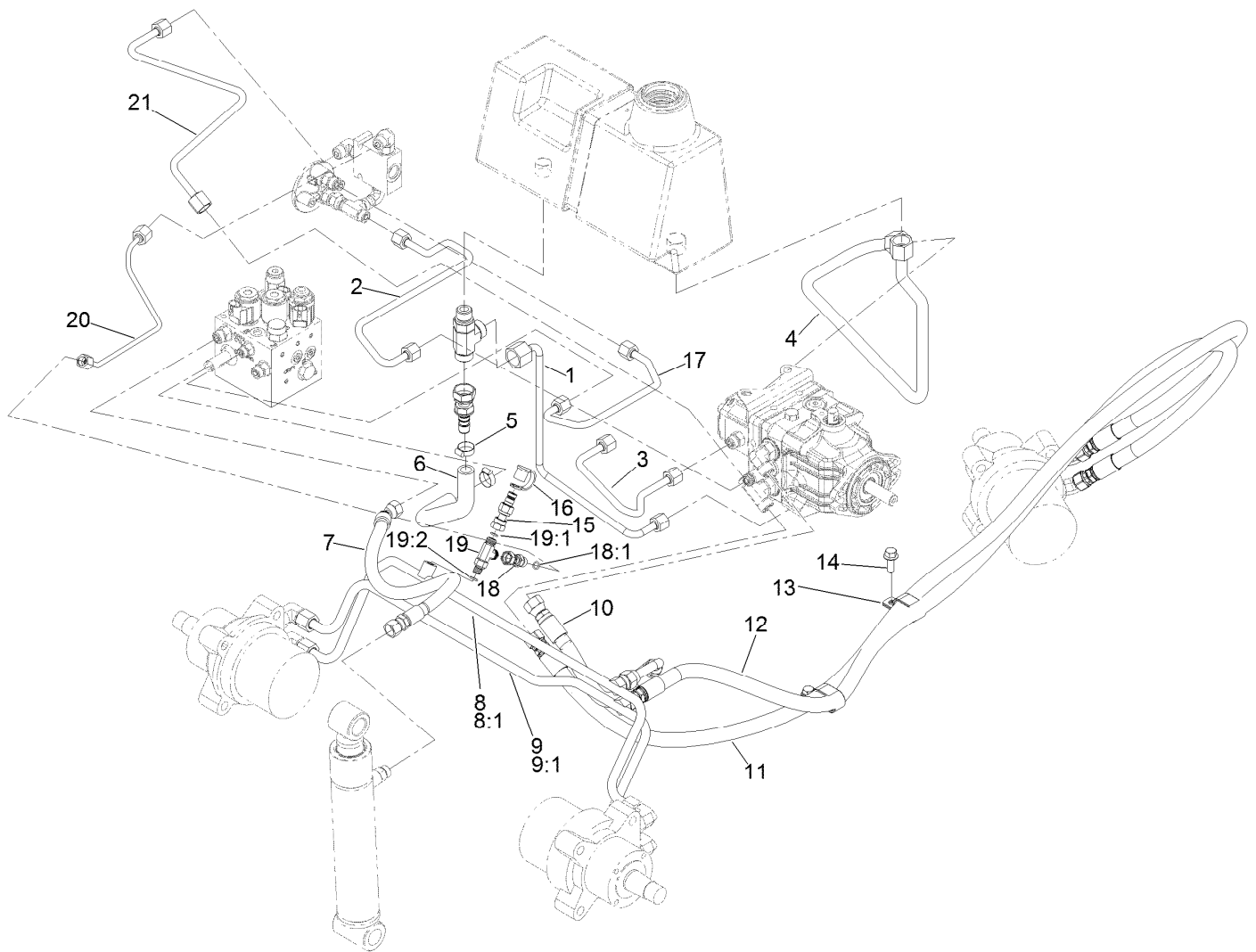
● Not illustrated



## Hydraulic Fitting Assembly (continued)

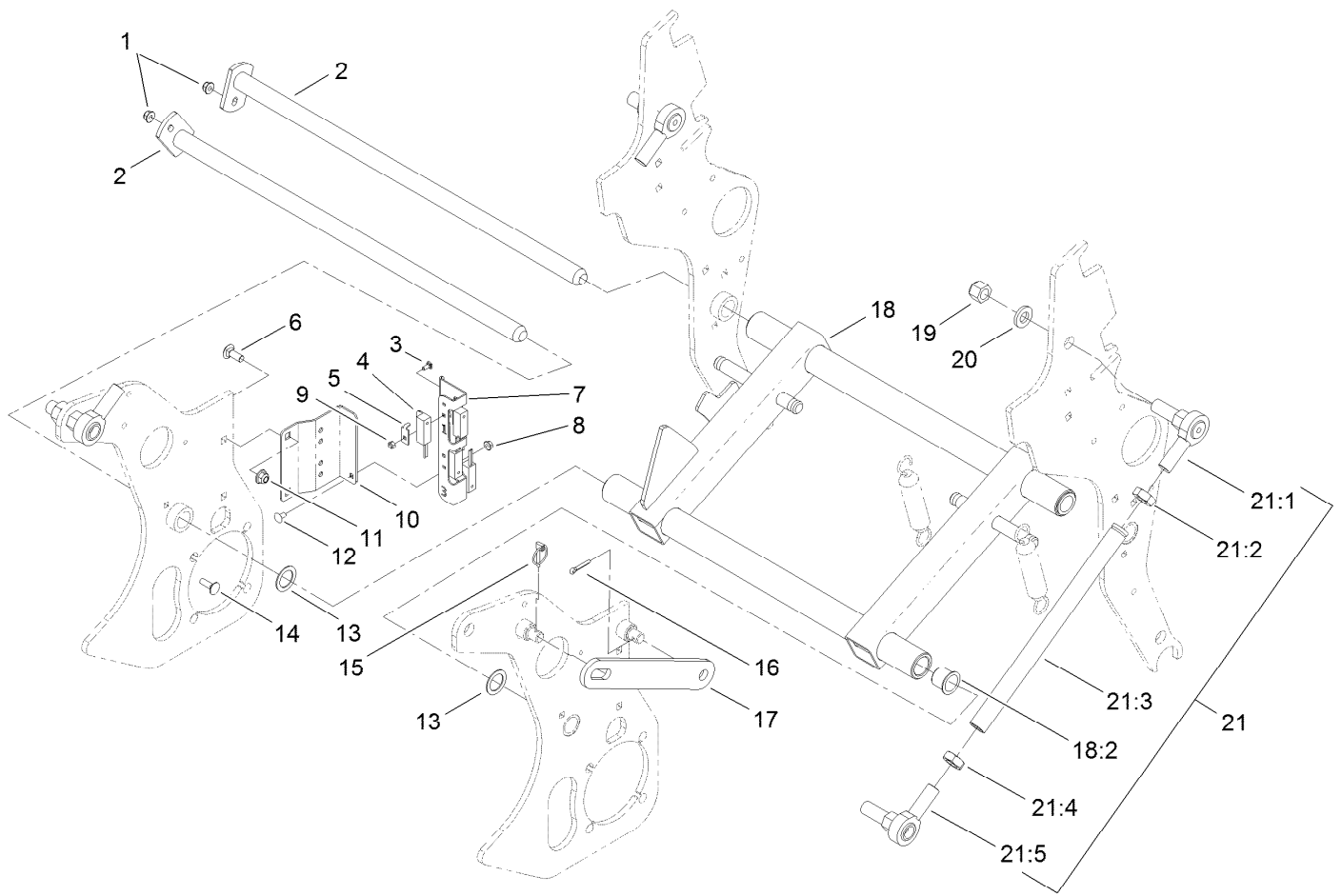
<i>Ref.</i>	<i>Part Number</i>	<i>Qty.</i>	<i>Description</i>	<i>Ref.</i>	<i>Part Number</i>	<i>Qty.</i>	<i>Description</i>
15	95-4137	1	Fitting-STR	17:2	237-22	1	O-Ring
15:1	237-42	1	O-Ring	18	340-110	1	Fitting-Swivel, 90 DEG
15:2	237-22	1	O-Ring	18:1	237-42	1	O-Ring
17	100-7210	1	Check Valve	19	340-115	1	Fitting-Tee
17:1	237-42	1	O-Ring	19:1	237-22	2	O-Ring

● Not illustrated



## Hardline and Hose Assembly

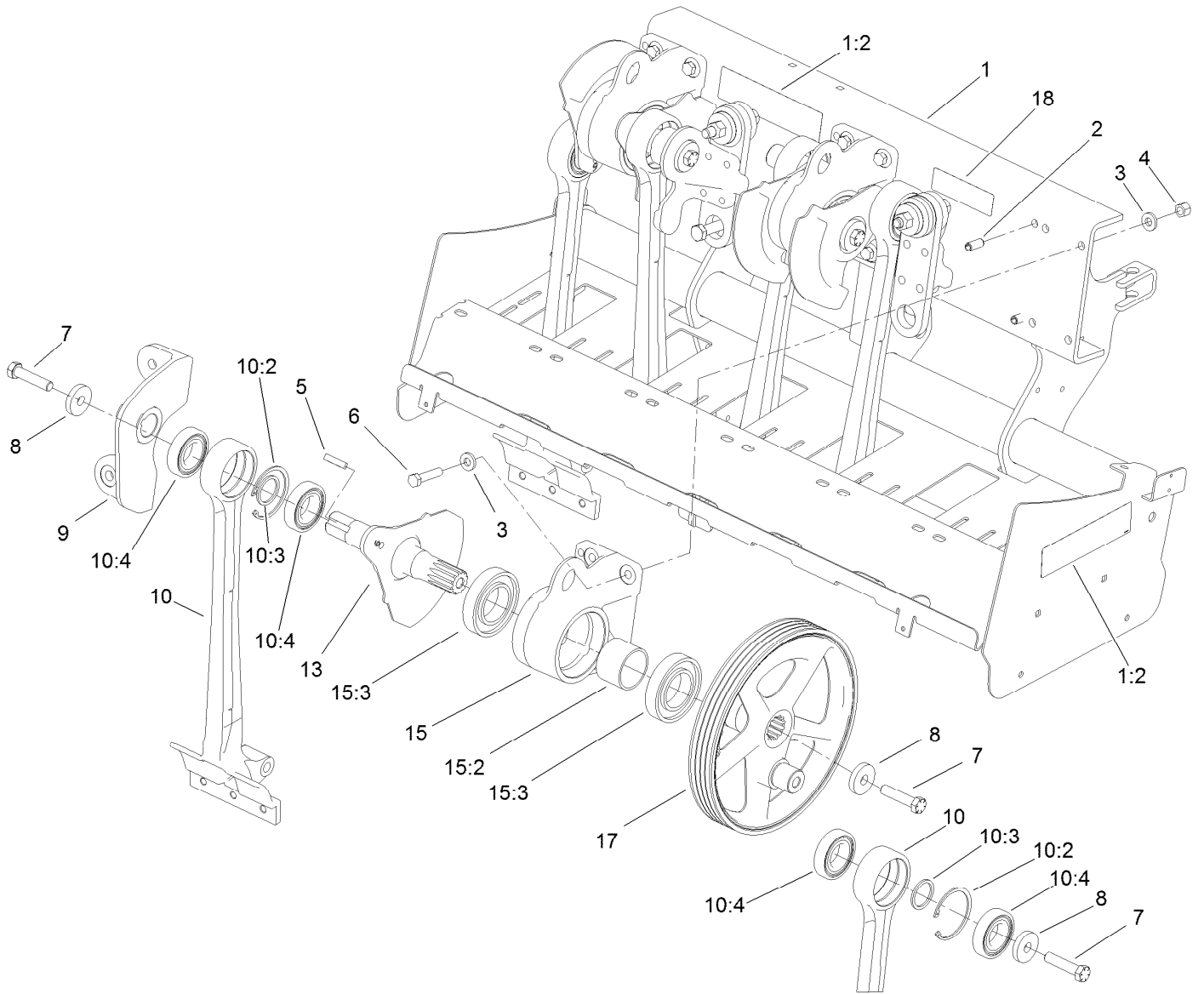
<i>Ref.</i>	<i>Part Number</i>	<i>Qty.</i>	<i>Description</i>	<i>Ref.</i>	<i>Part Number</i>	<i>Qty.</i>	<i>Description</i>
1	107-3388	1	Tube ASM	12	106-8821	1	Hose ASM
2	140-8822	1	Hydraulic Tube ASM	13	106-8829	2	R Clamp-Double
3	112-6539	1	Tube-HYD	14	3234-11	2	Screw-HHF
4	107-3387	1	Tube ASM	15	115-8886	1	Nipple-Test
5	2412-141	2	Clamp-Drive, Worm	16	354-79	1	Cap-Dust
6	107-7565	1	Hose-Formed	17	108-6811	1	Tube ASM
7	137-6626	1	Hose-HYD	18	140-2234	1	Fitting
8	106-8819	1	Tube ASM	18:1	237-21	1	O-Ring
8:1	237-30	1	O-Ring	19	340-140	1	Fitting-Tee
9	106-8818	1	Tube ASM	19:1	237-21	2	O-Ring
9:1	237-30	1	O-Ring	19:2	237-78	1	O-Ring
10	84-0890	1	Hose ASM	20	140-8819	1	Hydraulic Tube ASM
11	106-8822	1	Hose ASM	21	140-8821	1	Hydraulic Tube ASM



## H-Frame Assembly

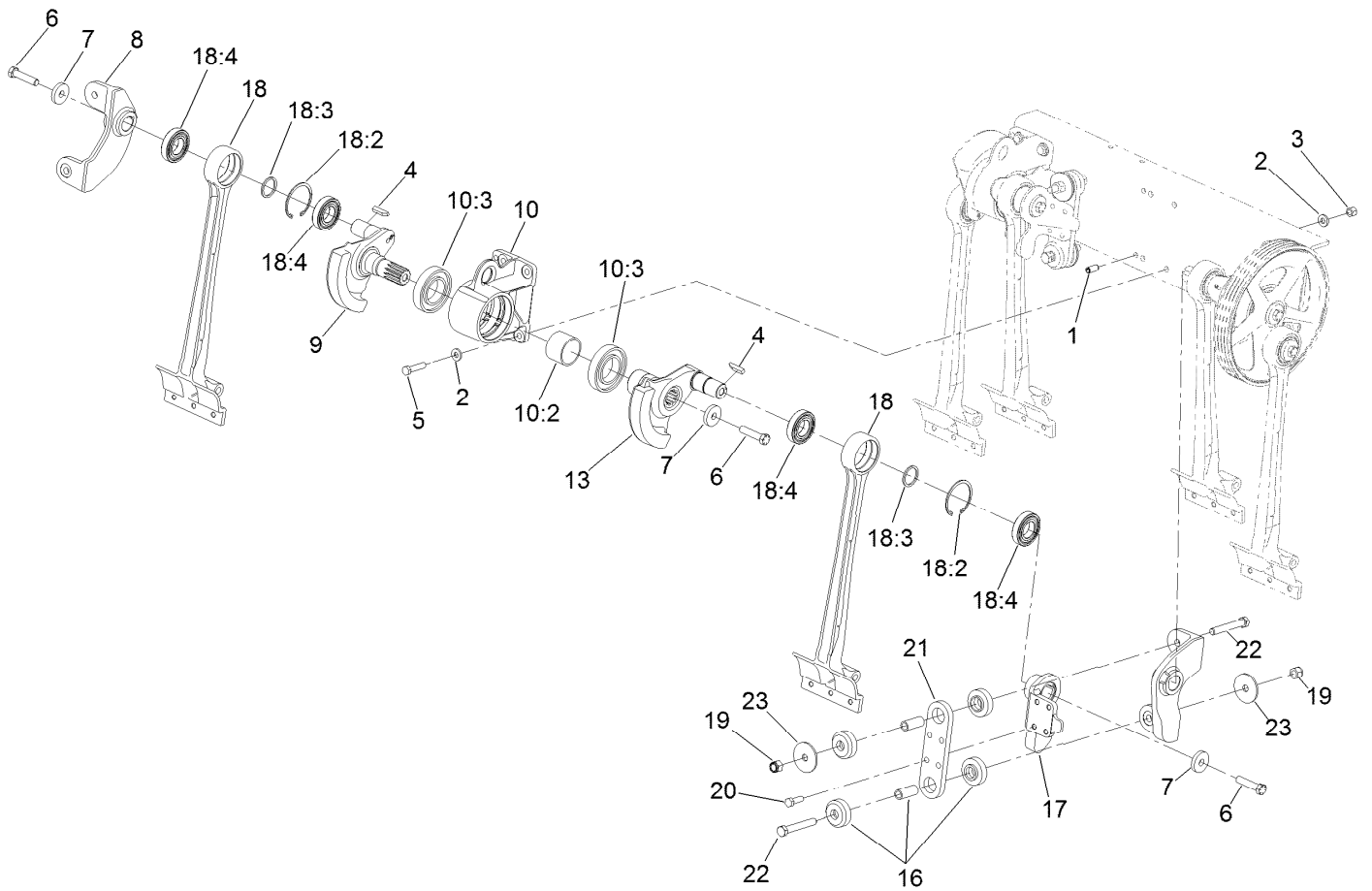
<i>Ref.</i>	<i>Part Number</i>	<i>Qty.</i>	<i>Description</i>	<i>Ref.</i>	<i>Part Number</i>	<i>Qty.</i>	<i>Description</i>
1	104-8300	2	Nut-HF, NI	15	3290-495	1	Pin-Klik
2	105-0950	2	Pivot Shaft ASM	16	3272-21	1	Pin-Cotter
3	104-1450	4	Bolt-CARR	17	105-0983-01	1	Bar-Prop
4	100-1270	4	Switch-Proximity	18	112-6516	1	H Frame ASM
5	100-4872	4	Plate-Switch, Neutral	18:2	126-1963	4	Bushing-Pivot
6	3231-2	2	Bolt-CARR	19	3296-50	4	Nut-Lock, NI
7	140-2266	1	Bracket-Sensor	20	92-5836	4	Washer
8	32128-10	2	Nut-Lock, HHF	21	114-2702	2	Link ASM
9	3296-2	4	Nut-Lock, NI	21:1	105-1025	1	End-Rod
10	105-1006-01	1	Bracket-Switch	21:2	3220-17	1	Nut-Jam, LH
11	104-8301	2	Nut-HF, NI	21:3	105-1007	1	Link-Upper
12	3229-10	2	Screw-CARR	21:4	3220-7	1	Nut-Jam
13	10-8110	3	Washer-Thrust	21:5	2411-40	1	End-Rod
14	3230-2	2	Bolt-CARR				





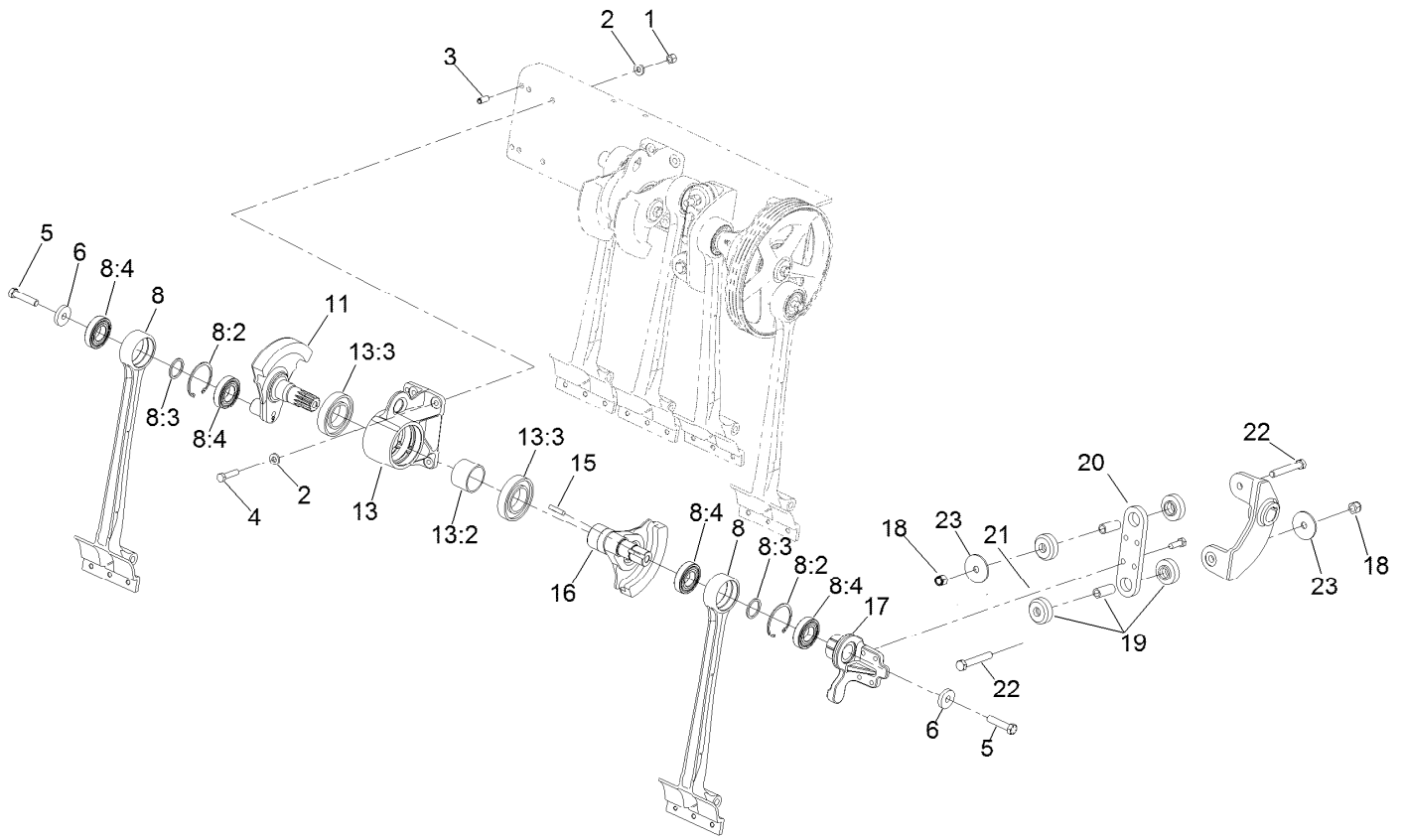
## Coring Head Crank No. 1 and 2 Assembly

<i>Ref.</i>	<i>Part Number</i>	<i>Qty.</i>	<i>Description</i>	<i>Ref.</i>	<i>Part Number</i>	<i>Qty.</i>	<i>Description</i>
1	131-1740	1	Rear Frame Service ASM	10:2	32151-76	1	Ring-Retaining, Internal
1:2	107-7534	3	Decal-Warning	10:3	110-4557	1	Spacer-Bearing
2	105-1041	2	Pin-Spring	10:4	110-4556	2	Bearing-Ball
3	107-3395	8	Washer-Hardened	13	110-4571	1	Crankarm-No. 2, 4, 6
4	3296-23	4	Nut-Lock, NI	15	115-4703	1	Housing ASM
5	110-4546	1	Key-Square	15:2	105-1017	1	Spacer
6	325-9	4	Screw-HH	15:3	105-0965	2	Bearing-Ball
7	110-4614	3	Screw-HH	17	114-1458	1	Pulley-Crankshaft
8	105-1016	3	Washer-Hardened	18	140-2269	1	Decal-Service, CE
9	110-4567	1	Coupling-No. 2				
10	115-2822	2	Stomper Arm & Bearing ASM				



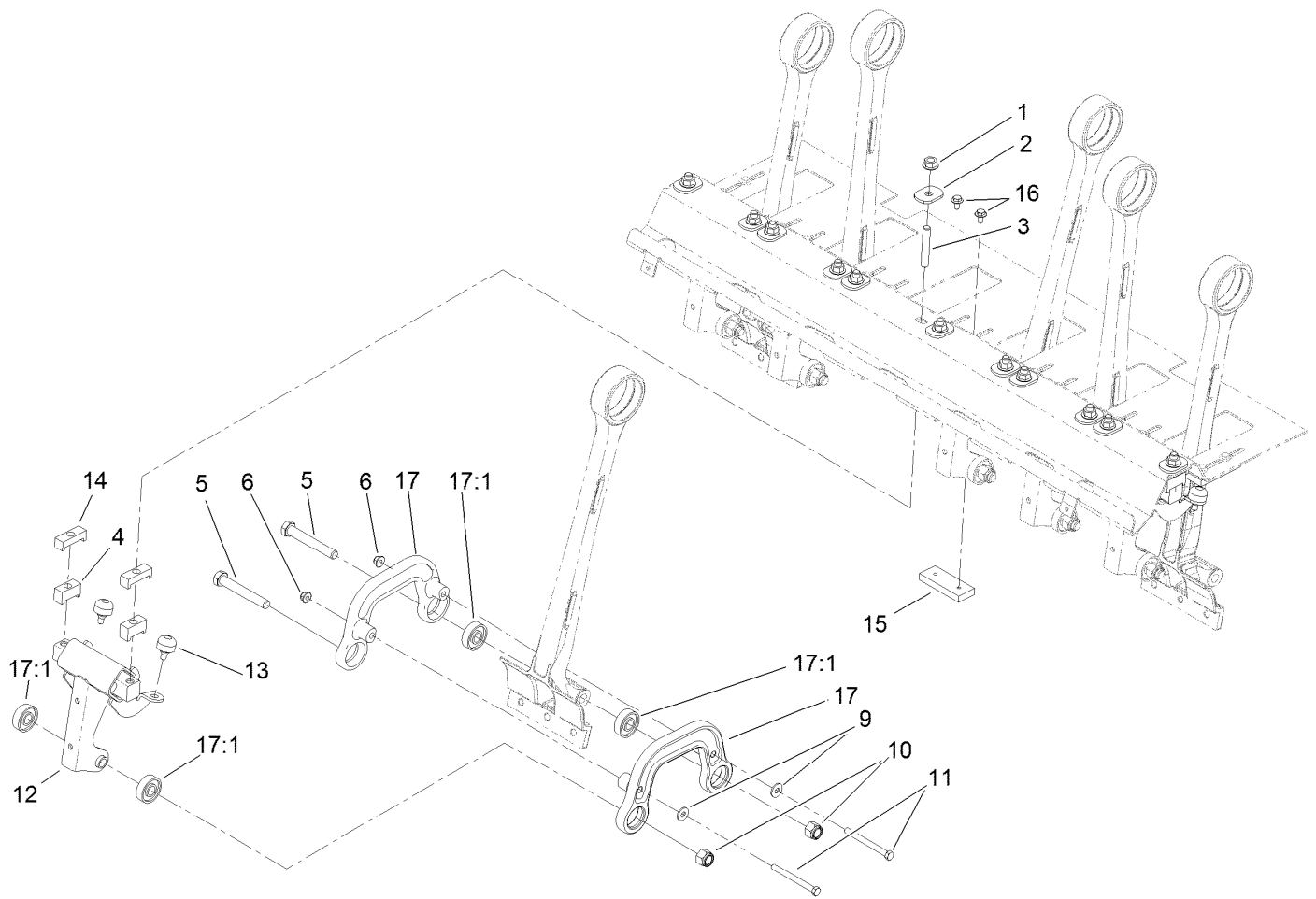
## Coring Head Crank No. 3 and 4 Assembly

<i>Ref.</i>	<i>Part Number</i>	<i>Qty.</i>	<i>Description</i>	<i>Ref.</i>	<i>Part Number</i>	<i>Qty.</i>	<i>Description</i>
1	105-1041	2	Pin-Spring	16	105-0963	2	Mount-ISO, Crank
2	107-3395	8	Washer-Hardened	17	110-4568	1	Coupling-No. 3
3	3296-23	4	Nut-Lock, NI	18	115-2822	2	Stomper Arm & Bearing ASM
4	110-4546	2	Key-Square	18:2	32151-76	1	Ring-Retaining, Internal
5	325-9	4	Screw-HH	18:3	110-4557	1	Spacer-Bearing
6	110-4614	3	Screw-HH	18:4	110-4556	2	Bearing-Ball
7	105-1016	3	Washer-Hardened	19	3296-53	2	Nut-Lock, NI
8	110-4569	1	Coupling-No.4	20	325-6	4	Screw-HH
9	110-4571	1	Crankarm-No. 2, 4, 6	21	105-0974-03	1	Plate-Coupling
10	115-4703	1	Housing ASM	22	327-29	2	Screw-HH
10:2	105-1017	1	Spacer	23	110-4549	2	Washer-Snubbing
10:3	105-0965	2	Bearing-Ball				
13	110-4572	1	Crankarm-No. 3, 5, 7				



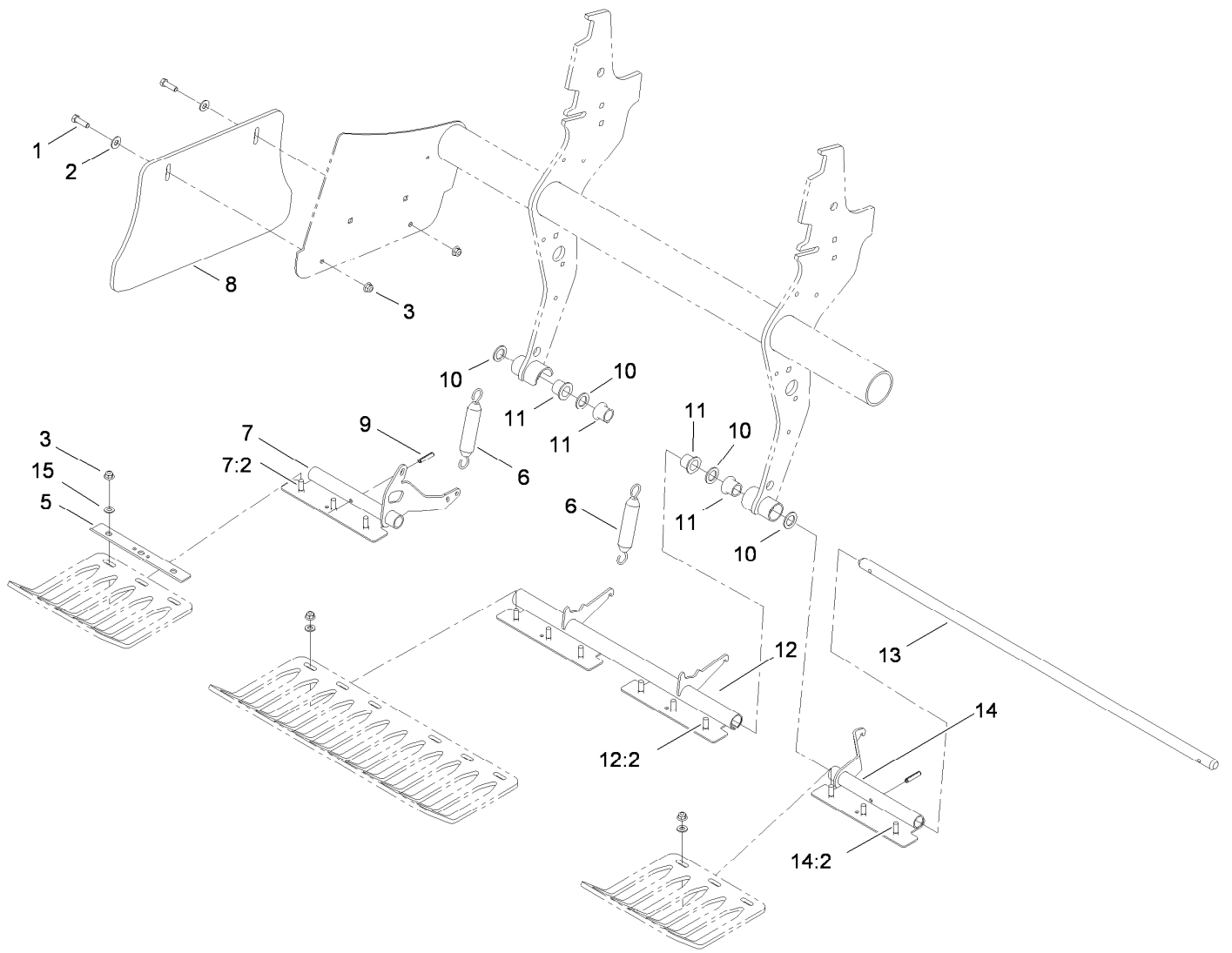
## Coring Head Crank No. 5 and 6 Assembly

<i>Ref.</i>	<i>Part Number</i>	<i>Qty.</i>	<i>Description</i>	<i>Ref.</i>	<i>Part Number</i>	<i>Qty.</i>	<i>Description</i>
1	3296-23	4	Nut-Lock, NI	13	115-4703	1	Housing ASM
2	107-3395	8	Washer-Hardened	13:2	105-1017	1	Spacer
3	105-1041	2	Pin-Spring	13:3	105-0965	2	Bearing-Ball
4	325-9	4	Screw-HH	15	110-4546	1	Key-Square
5	110-4614	3	Screw-HH	16	110-4572	1	Crankarm-No. 3, 5, 7
6	105-1016	3	Washer-Hardened	17	110-4570	1	Coupling-N0.5
8	115-2822	2	Stomper Arm & Bearing ASM	18	3296-53	2	Nut-Lock, NI
8:2	32151-76	1	Ring-Retaining, Internal	19	105-0974-03	1	Plate-Coupling
8:3	110-4557	1	Spacer-Bearing	20	105-0963	2	Mount-ISO, Crank
8:4	110-4556	2	Bearing-Ball	21	325-6	4	Screw-HH
11	110-4576	1	Crankarm-No.6	22	327-29	2	Screw-HH
				23	110-4549	2	Washer-Snubbing



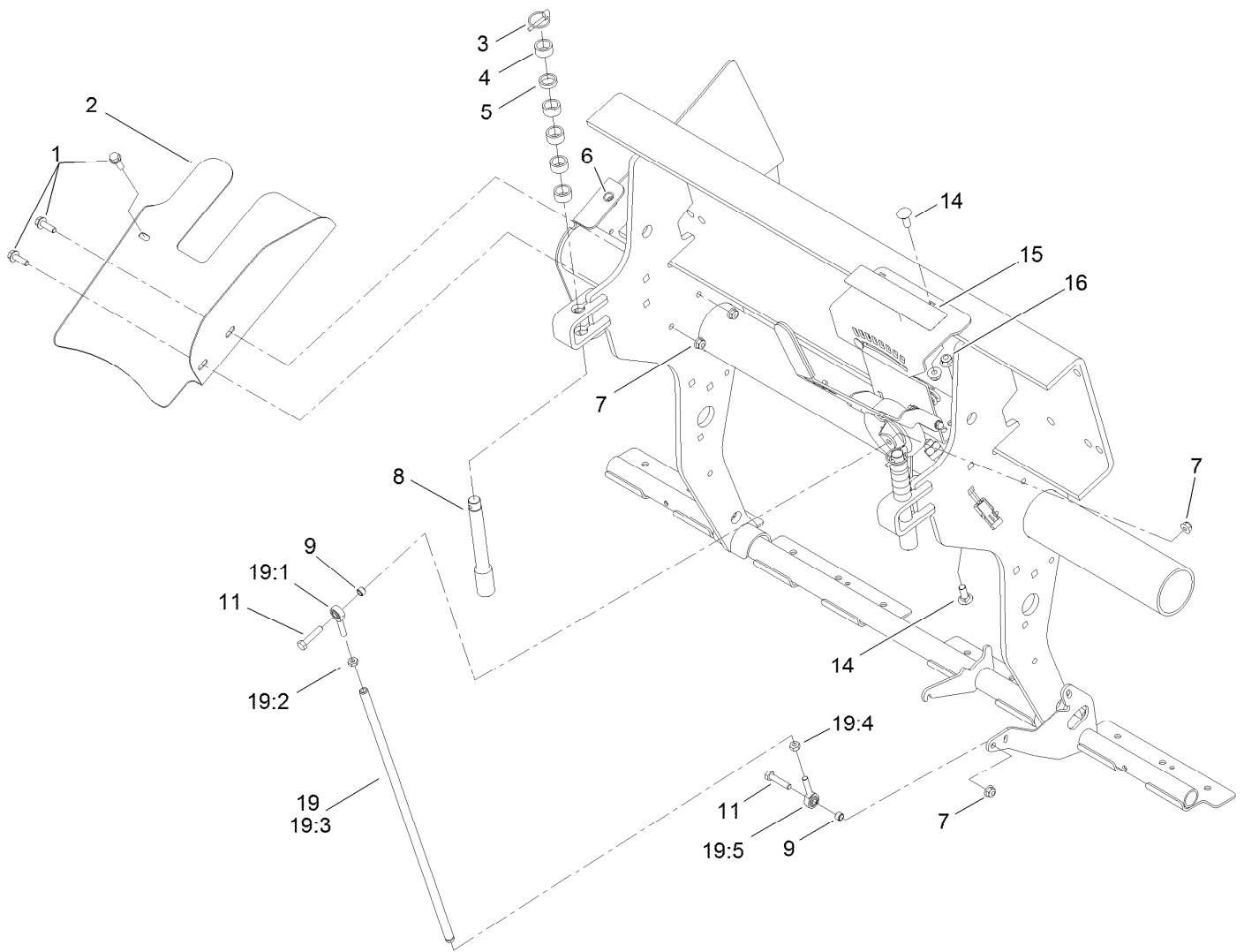
## Coring Head Assembly for Rotolinks

<i>Ref.</i>	<i>Part Number</i>	<i>Qty.</i>	<i>Description</i>	<i>Ref.</i>	<i>Part Number</i>	<i>Qty.</i>	<i>Description</i>
1	32128-23	12	Nut-HF	11	323-16	12	Screw-HH
2	107-7543	12	Washer-Hardened	12	131-4800	6	Damper ASM
3	105-1088	12	Stud	13	87-2440	12	Bumper-Rubber
4	131-4805	12	Standoff-Damper	14	107-7582	12	Spacer-Damper, Top V
5	327-29	12	Screw-HH	15	107-7584	7	Plate-Bumper V
6	104-8301	12	Nut-HF, NI	16	3234-7	14	Screw-HHF
9	80-6990	12	Washer-Hardened	17	140-6194	12	Link ASM-Damper
10	3296-53	12	Nut-Lock, NI	17:1	251-311	2	Bearing-Ball



## Coring Head Assembly for Turfguards

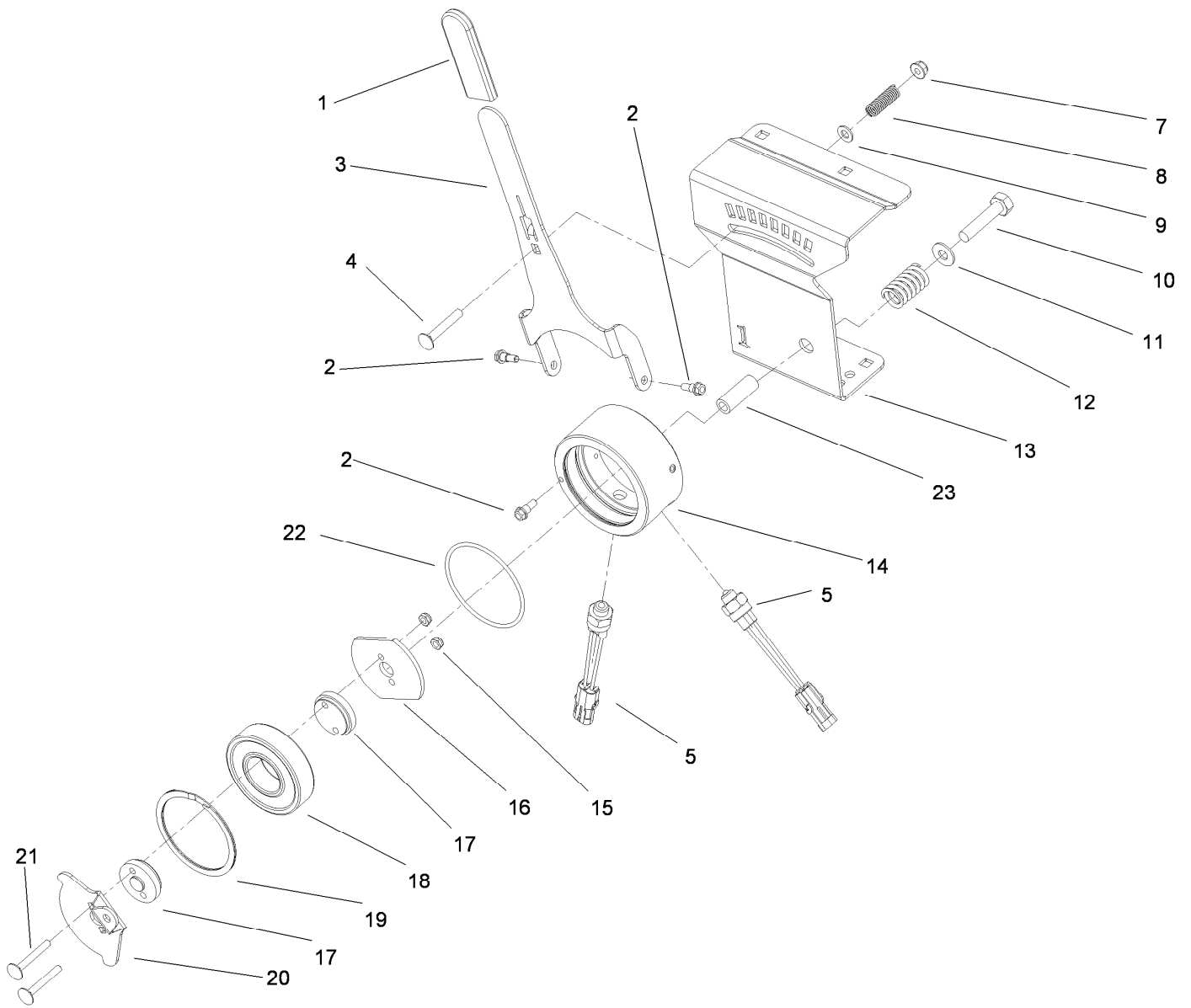
<i>Ref.</i>	<i>Part Number</i>	<i>Qty.</i>	<i>Description</i>	<i>Ref.</i>	<i>Part Number</i>	<i>Qty.</i>	<i>Description</i>
1	323-7	4	Screw-HH	10	3-7898	4	Washer-Thrust
2	3256-4	4	Washer-Flat	11	107-7581	4	Bushing-Flange, Keyed
3	104-8301	16	Nut-HF, NI	12	110-4393	1	Center Turf Guard Bracket ASM
5	110-4274-03	4	Clamp-Guard, Turf	12:2	125-3318	6	Screw-Neck, Rib
6	66-4270	2	Spring-Extension	13	105-1024	1	Shaft-Guard, Turf
7	110-4395	1	LH Turf Guard Bracket ASM	14	110-4394	1	RH Turf Guard Bracket ASM
7:2	125-3318	3	Screw-Neck, Rib	14:2	125-3318	3	Screw-Neck, Rib
8	105-1069	2	Shield-Side	15	3256-24	12	Washer-Flat
9	32121-25	2	Pin-Roll				



## Depth Control Assembly

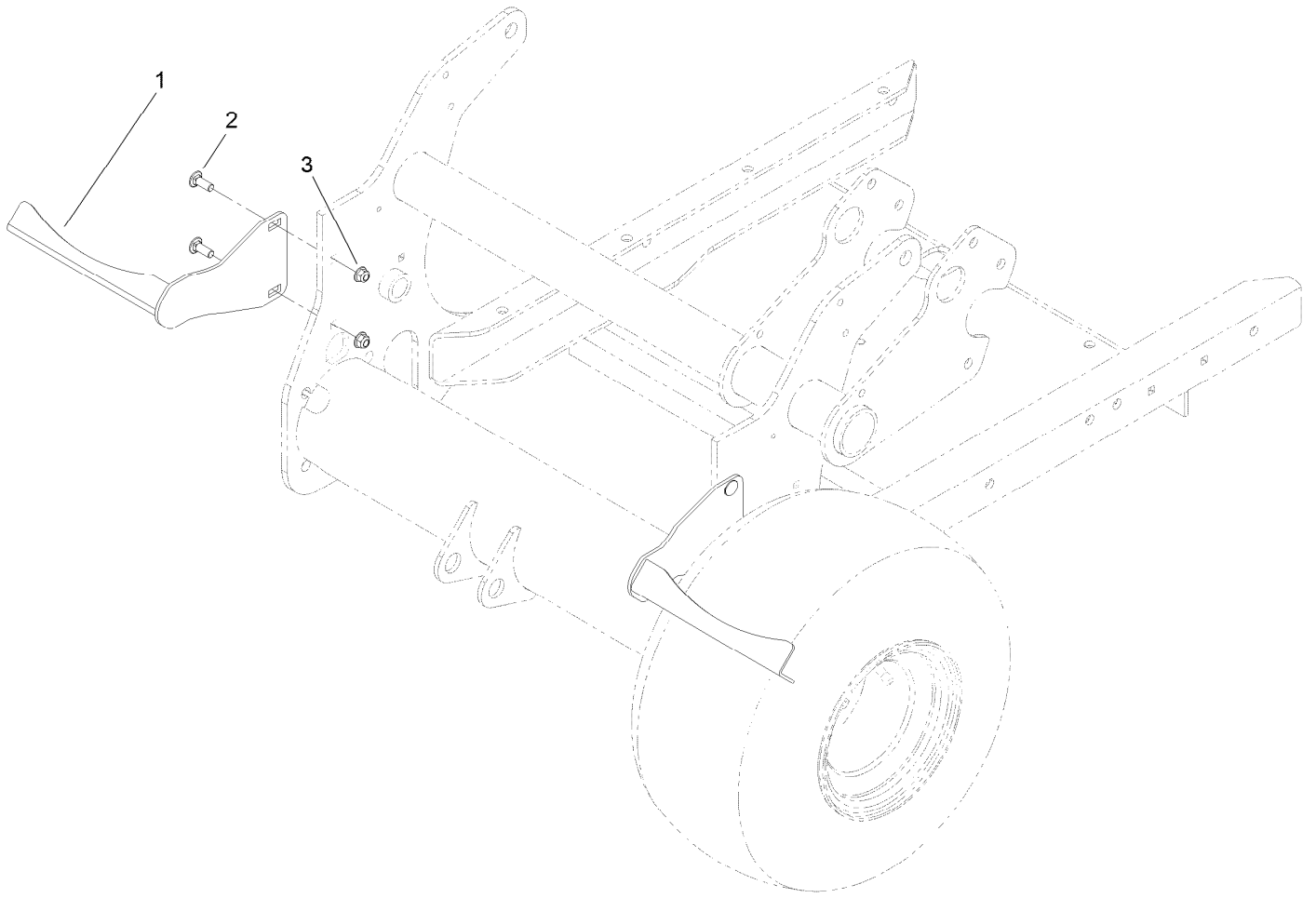
Ref.	Part Number	Qty.	Description	Ref.	Part Number	Qty.	Description
1	3234-17	3	Screw-HHF	14	3231-2	4	Bolt-CARR
2	105-1092-01	1	Shield-Top, Belt	15	106-8853	1	Decal-Control, Depth
3	3290-495	2	Pin-Klik	16	104-8301	4	Nut-HF, NI
4	74-3730	10	Spacer-Spindle, Rear	19		1	Link ASM ●
5	105-3828	2	Spacer	19:1	2411-52	1	Bearing-Rod End, RH
6	32148-7	1	Nut-Clinch	19:2	3220-2	1	Nut-Jam
7	104-8300	4	Nut-HF, NI	19:3	105-1067	1	Tube-Control, Depth
8	105-1004	2	Pin-Stop, Depth	19:4	3220-20	1	Nut-Jam
9	92-3133	2	Spacer-Lever, Traction	19:5	2411-53	1	Bearing-Rod End, LH
11	322-7	2	Screw-HH				

● Not serviced separately



## Depth Actuator Assembly

<i>Ref.</i>	<i>Part Number</i>	<i>Qty.</i>	<i>Description</i>	<i>Ref.</i>	<i>Part Number</i>	<i>Qty.</i>	<i>Description</i>
1	21-1880	1	Grip-Handle	13	106-8865-03	1	Support-Control, Depth
2	42-3560	3	Bolt-Shoulder	14	108-2129	1	Housing-Control, Depth
3	106-8860-03	1	Arm-Control, Depth	15	3296-56	2	Nut-Lock, NI
4	3230-6	1	Bolt-CARR	16	106-8864	1	Actuator-Switch
5	72-4320	2	Switch-Ball	17	106-8863	2	Spacer-Control, Depth
7	104-8300	1	Nut-HF, NI	18	106-8871	1	Bearing-Ball
8	95-1821	1	Spring-Compression	19	106-8872	1	Ring-Retaining
9	3256-23	1	Washer-Plain	20	106-8861-03	1	Arm-Actuator, Switch
10	322-11	1	Screw-HH	21	3230-33	2	Screw-CARR
11	3256-4	1	Washer-Flat	22	237-33	1	O-Ring
12	66-9010	1	Spring-Compression	23	95-6448	1	Spacer



## Optional Tire Scraper Assembly (Model 09225)

<i>Ref.</i>	<i>Part Number</i>	<i>Qty.</i>	<i>Description</i>
1	107-7531-03	2	Scraper-Wheel
2	3231-26	4	Screw-CARR
3	104-8301	4	Nut-HF, NI



# Attachments and Accessories

## For 09200 ProCore 648 Aerator

<b>Product Name</b>	<b>Model/Part</b>
Windrower Kit .....	09220
Needle Tine Head .....	09739
2 x 5 Mini Tine Head .....	09736
1 x 6 Mini Tine Head .....	09737
3/4in Three-Tine Head .....	09794
3/4in Four-Tine Head .....	09796
7/8in Three-Tine Head .....	09797
Four-Tine Head Quick Lock .....	09719
Turf Guard 3 Tine (Short) .....	120-1044
3-Tine Turf Guard (long) .....	120-1051
Turf Guard 4 Tine (Short) .....	120-1045
4-Tine Turf Guard (long) .....	120-1046
Turf Guard 5 Tine (Short) .....	120-1047
5-Tine Turf Guard (long) .....	120-1052
Turf Guard 6 Tine (Short) .....	120-1050
6-Tine Turf Guard (long) .....	120-1053
Tire Scraper Kit .....	09225
Rear Roller Kit .....	09234
Premium Engine Oil 10w30 (55 Gallon Drum) .....	121-6392
Premium Engine Oil 10w30 (5 Gallon Pail) .....	121-6393
Head Bearing Kit .....	131-4876
Sleeve Tool ASM .....	114-0590-01
Yellow Hydraulic Fluid Cap (Tethered) .....	107-2174
Premium Transmission/Hydraulic Tractor Fluid (55 Gallon Drum) .....	108-1183
Premium Transmission/Hydraulic Tractor Fluid (5 Gallon Pail) .....	108-1184
Screen-Silencer, Exhaust .....	93-9911
Inline Fuel Filter .....	115-7854
Myturf Wireless Hour Assembly (pc648) .....	115-2833
Premium All Purpose Grease (Tube) .....	108-1190

**Notes:**

**Notes:**



**Count on it.**