



Count on it.

Parts Catalog

**152cm Z Master® 4000 Series
Riding Mower**

Model No. 74056TE—Serial No. 409854760 and Up



Ordering Replacement Parts

To order replacement parts, please supply the part number, the quantity, and the description of each part desired.

Understanding Reference Numbers

Each identified part in an illustration has a reference number. The reference number for a part also appears in the parts list, along with other information about the part.

This catalog uses two special reference number formats, one to indicate parts in a service assembly and another to indicate the quantity of a given part in an illustration.

Service Assembly Reference Numbers

Parts in service assemblies have reference numbers in the form a:b. The a represents the reference number of the entire service assembly and the b represents a sequential number unique to each part within the service assembly.

For example, a wheel assembly might be identified by reference number 6, the tire by 6:1, the valve by 6:2, and the wheel by 6:3. When you order the assembly identified by reference number 6, you receive all parts identified by reference numbers 6:1, 6:2, and 6:3. However, you may also order any part individually. Reference numbers of this type appear in illustration and in parts lists.

Reference Numbers Indicating Quantity

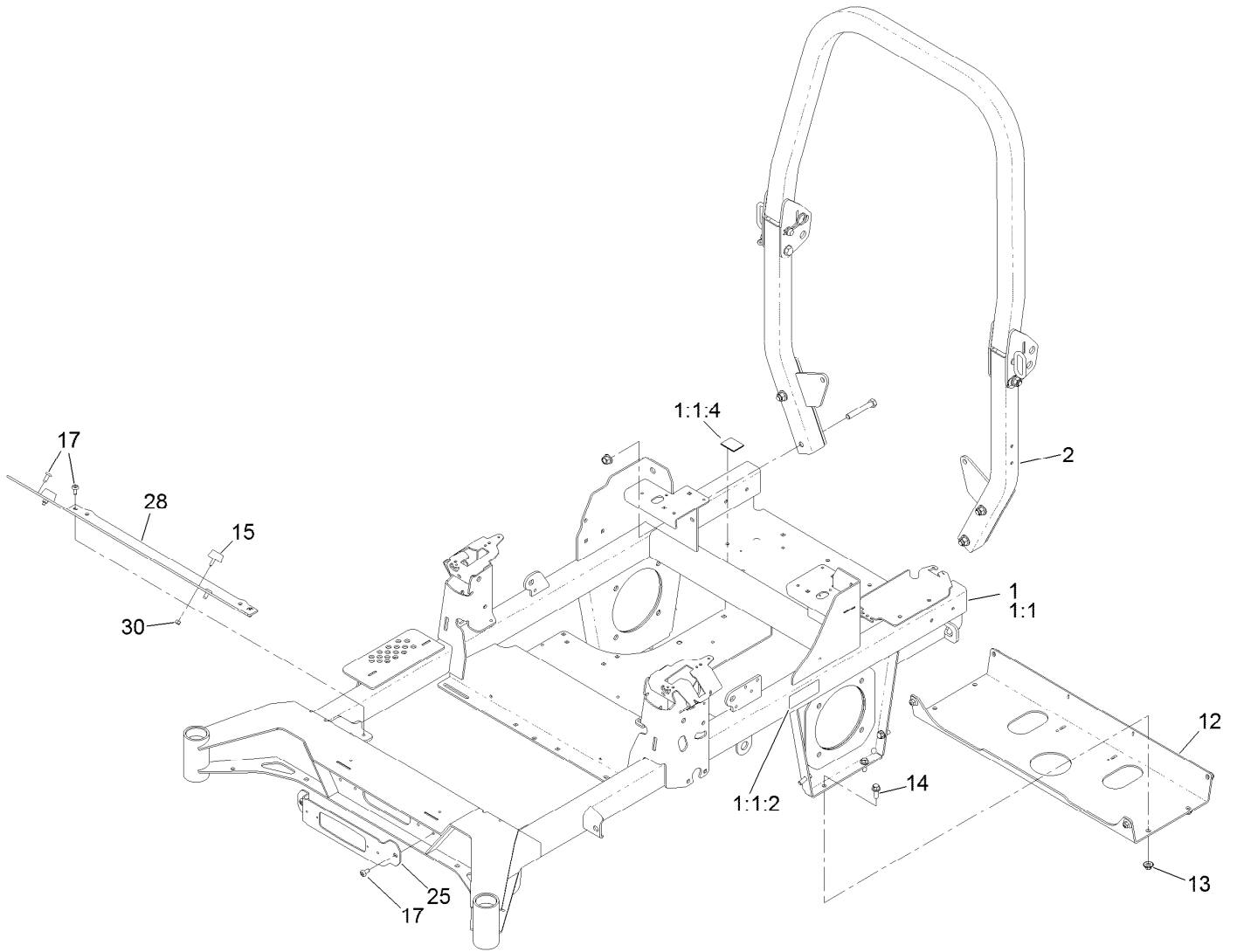
In an illustration, if a reference number indicates more than one part, the reference number has the form nX y. The n represents the quantity of the part, the X is the multiplication symbol, and the y represents the reference number.

For example, in an illustration, the reference number 2X 37 means that two of the parts identified by reference number 37 are indicated.

Contents

Frame Assembly	4
Roll-Over Protection System Assembly No. 139-8063	6
Hydraulic Drive Assembly	8
LH Transaxle Assembly No. 139-1074	10
RH Transaxle Assembly No. 139-1075	12
Throttle, Choke Cables and Guard Assembly	14
Fuel System Assembly	16
Fuel Tank Assembly No. 139-6722	18
Tank Retainer Assembly	20
Motion Control Assembly	22
Left and Right Control Arm Assembly	24
Caster Wheel Assembly	26
Caster Wheel and Fork Assembly	28
Rear Wheel Assembly	30
Electrical Assembly	32
Wire Harness Assembly No. 139-8078	34
Deck Lift Assembly	36
Deck Strut Assembly No. 140-1179	38
Engine, Clutch and Muffler Assembly	40
Seat Suspension Platform Assembly	42
Seat Assembly No. 144-2631	44
Decal Assembly	46
Deck Assembly	48
Deck Decal Assembly No. 144-6588	50
Spindle Assembly No. 137-9780	52
Deflector Assembly No. 144-2635	54
Idler Arm Assembly No. 139-1087	56
Attachments and Accessories	58

Frame Assembly

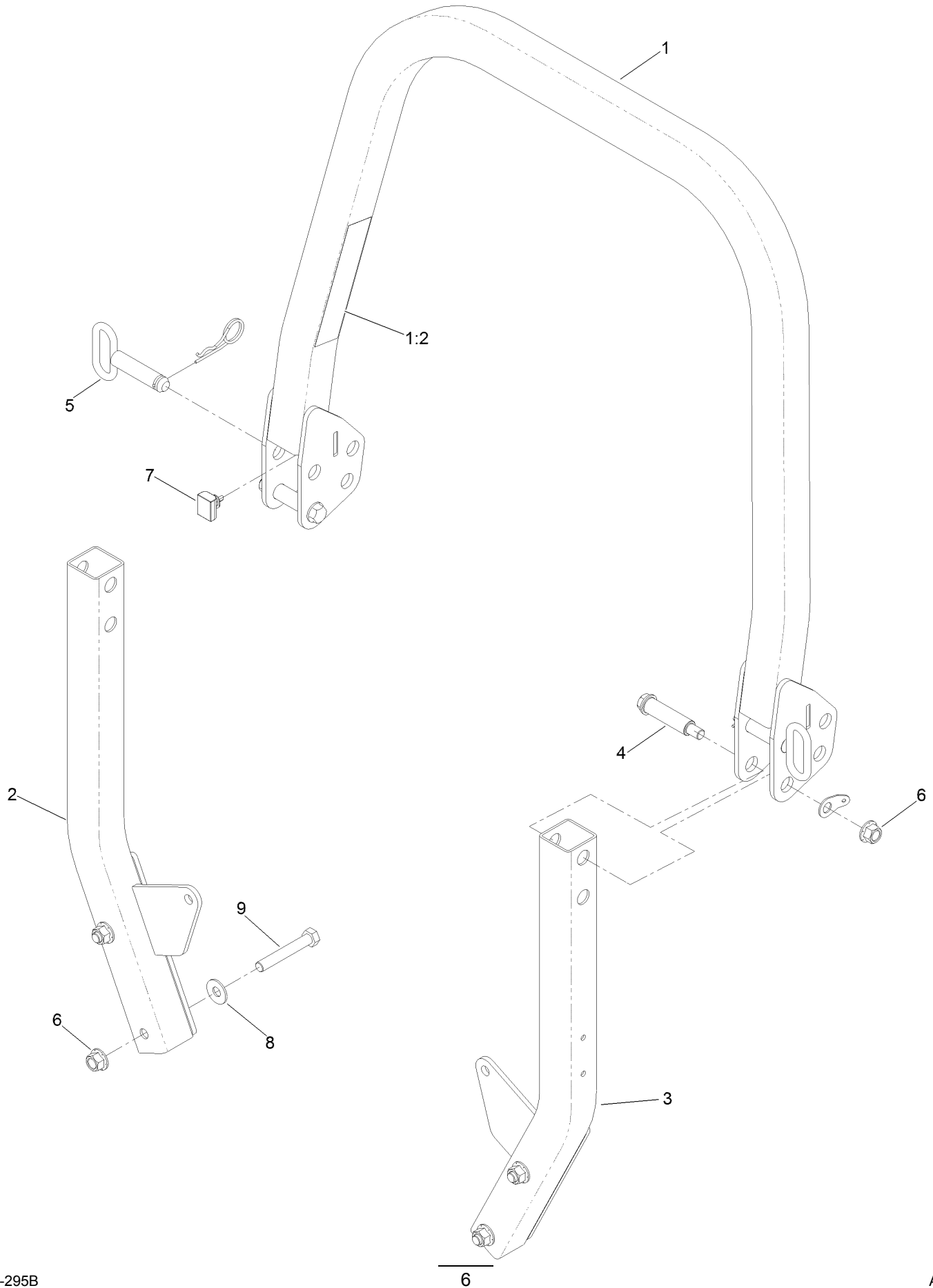


Frame Assembly (continued)

<i>Ref.</i>	<i>Part Number</i>	<i>Qty.</i>	<i>Description</i>	<i>Ref.</i>	<i>Part Number</i>	<i>Qty.</i>	<i>Description</i>
1	144-6590	1	Frame Decal ASM	14	3234-42	8	Screw-HHF
1:1		1	Frame-60 ●	15	131-8834	2	Bumper
1:1:2	126-4363	2	Decal-Warning	17	138-9753	6	Screw
1:1:4	144-2687	1	Decal, Belt Routing	25	140-4994-01	1	Bracket-Light
2	139-8063	1	ASM-ROPS	28	140-4997-01	1	Toeboard [red]
12	139-6717-01	1	Plate-Hydro	30	3296-42	2	Nut-Lock, NI
13	109-6658	8	Nut-Flange, NI				

● Not serviced separately

Roll-Over Protection System Assembly No. 139-8063

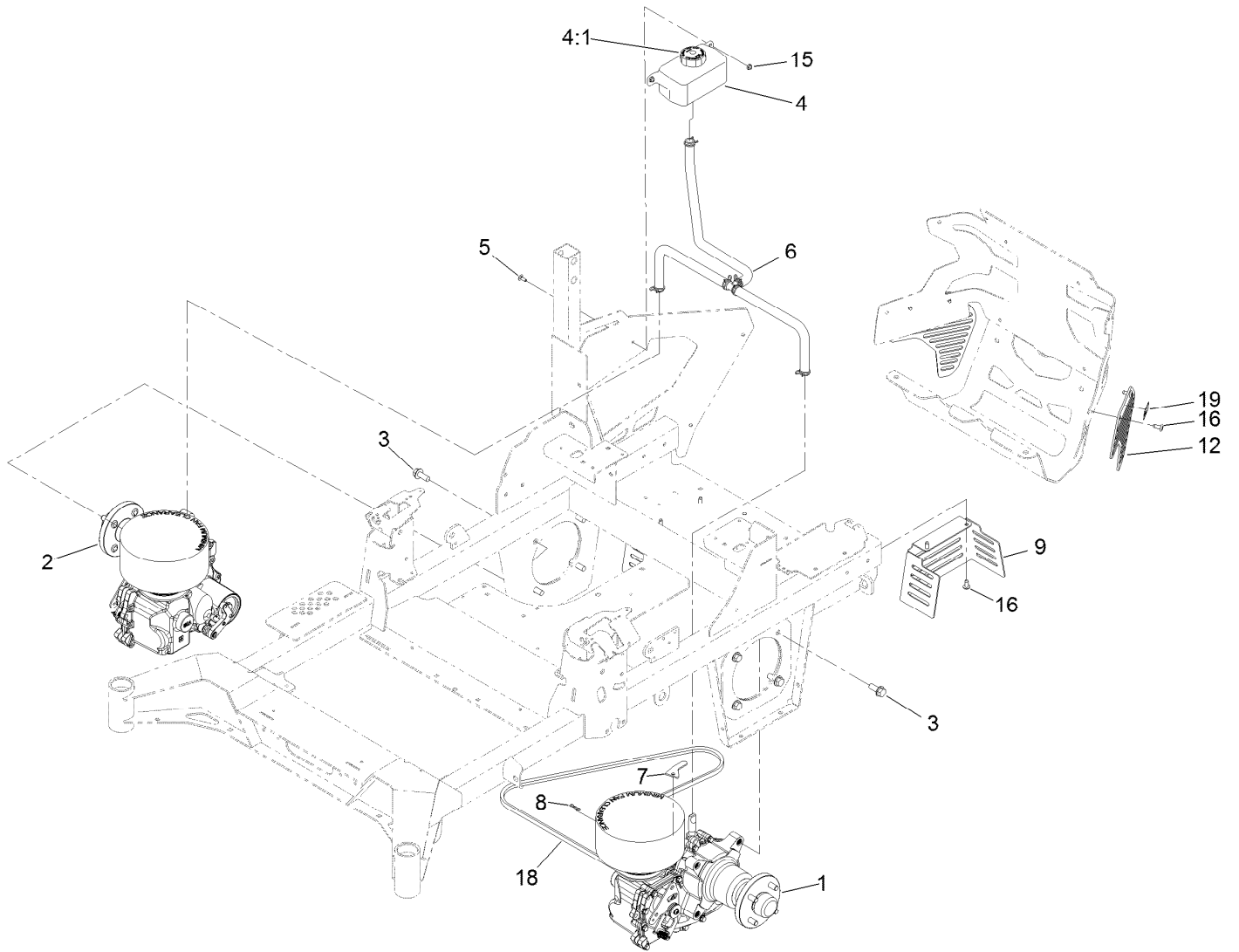


Roll-Over Protection System Assembly No. 139-8063 (continued)

<i>Ref.</i>	<i>Part Number</i>	<i>Qty.</i>	<i>Description</i>	<i>Ref.</i>	<i>Part Number</i>	<i>Qty.</i>	<i>Description</i>
1		1	Upper ROPS ASM ●	4	126-9209	2	Bolt-Shoulder
1:2	107-3069	1	Decal-Warning	5	103-4553	2	Pin-Fold, ROPS
2		1	ASM-ROPS, RH Suspension [black] ●	6	99-5107	6	Nut-Lock
3		1	ASM-ROPS, LH Suspension [black] ●	7	109-5337	2	Bumper-ROPS
				8	109-9505	4	Washer-Spring
				9	325-13	4	Screw-HH

● Not serviced separately

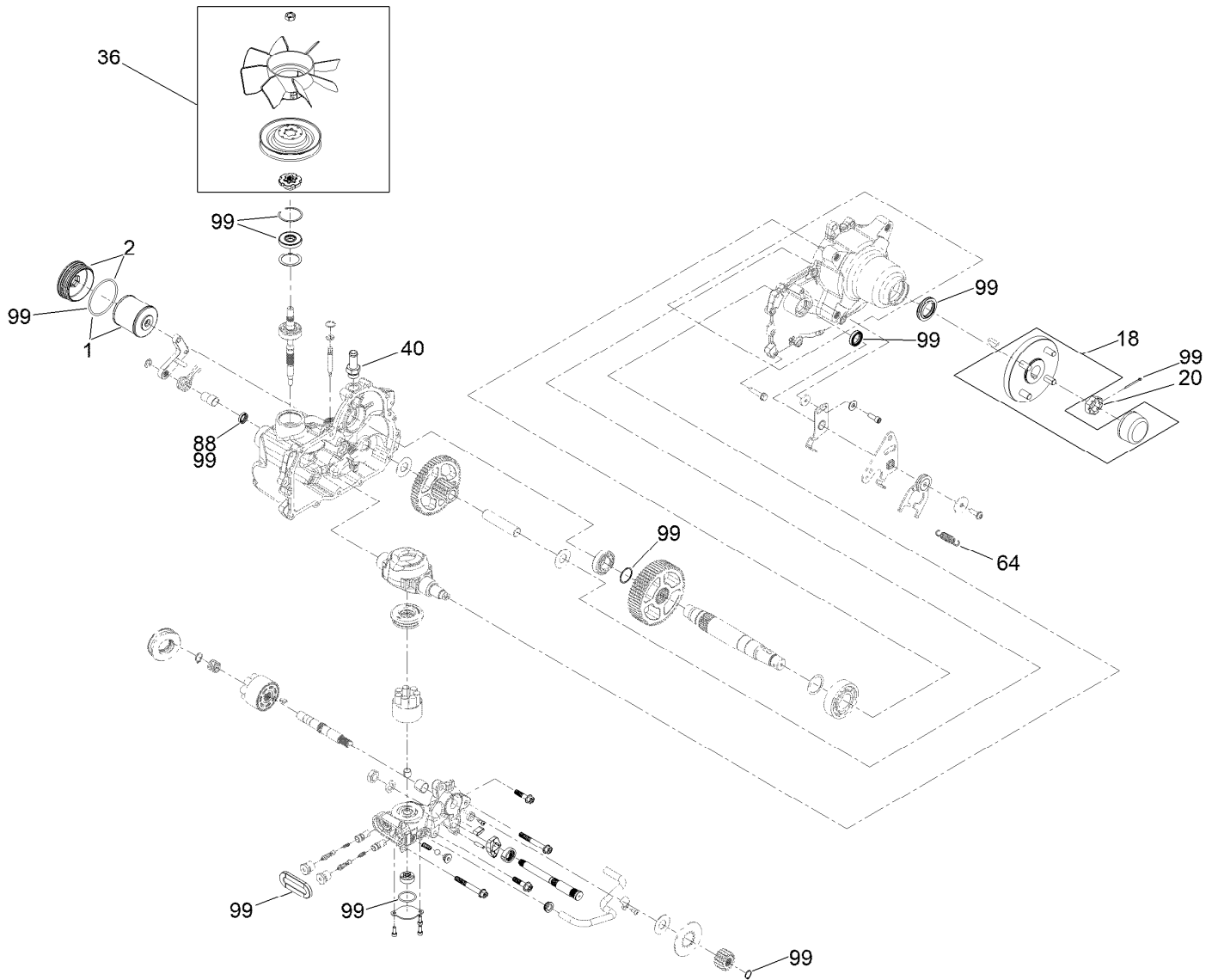
Hydraulic Drive Assembly



Hydraulic Drive Assembly (continued)

<i>Ref.</i>	<i>Part Number</i>	<i>Qty.</i>	<i>Description</i>	<i>Ref.</i>	<i>Part Number</i>	<i>Qty.</i>	<i>Description</i>
1	139-1074	1	LH Transaxle ASM	8	119-1415	2	Pin-Cotter, Locking
2	139-1075	1	RH Transaxle ASM	9	145-1949-03	2	Guard-Clutch [black]
3	3234-38	8	Screw-HHF	12	144-6591-03	2	Guard-Muffler, Te
4	119-9908	1	Hydraulic Reservoir ASM	15	104-7201	2	Nut-HF, NI
4:1	109-3320	1	Cap-Reservoir, HYD	16	138-9753	8	Screw
5	3229-28	2	Screw-CARR	18	140-7994	1	Belt-V
6	140-1225	1	ASM-Hose, Hydraulic	19	106-5517	2	Decal-Warning
7	139-8091	2	Plate-Lever, Bypass				

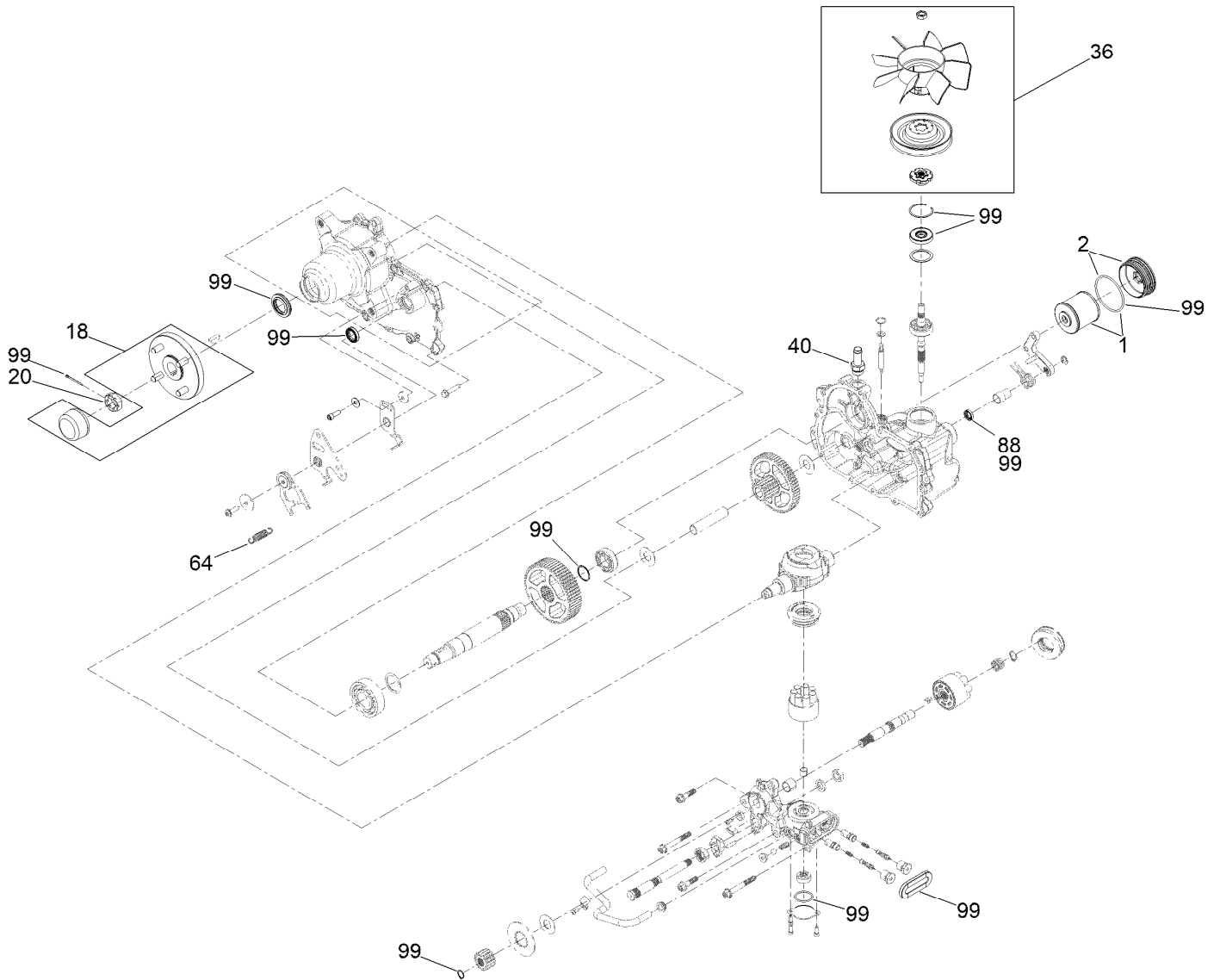
LH Transaxle Assembly No. 139-1074



LH Transaxle Assembly No. 139-1074 (continued)

<i>Ref.</i>	<i>Part Number</i>	<i>Qty.</i>	<i>Description</i>	<i>Ref.</i>	<i>Part Number</i>	<i>Qty.</i>	<i>Description</i>
1	144-6598	1	Kit, Filter	40	144-6601	1	Fitting-5/8 Beaded, 7/8 SAE
2	144-6599	1	Kit, Filler Cap	64	125-4684	1	Spring-Extension
18	144-6594	1	Hub-4 Bolt	88	145-3637	1	Seal, Brake
20	144-6595	1	Nut, Slotted	99	144-6600	1	Kit, Seal
36	144-6597	1	Kit, Fan And Pulley				

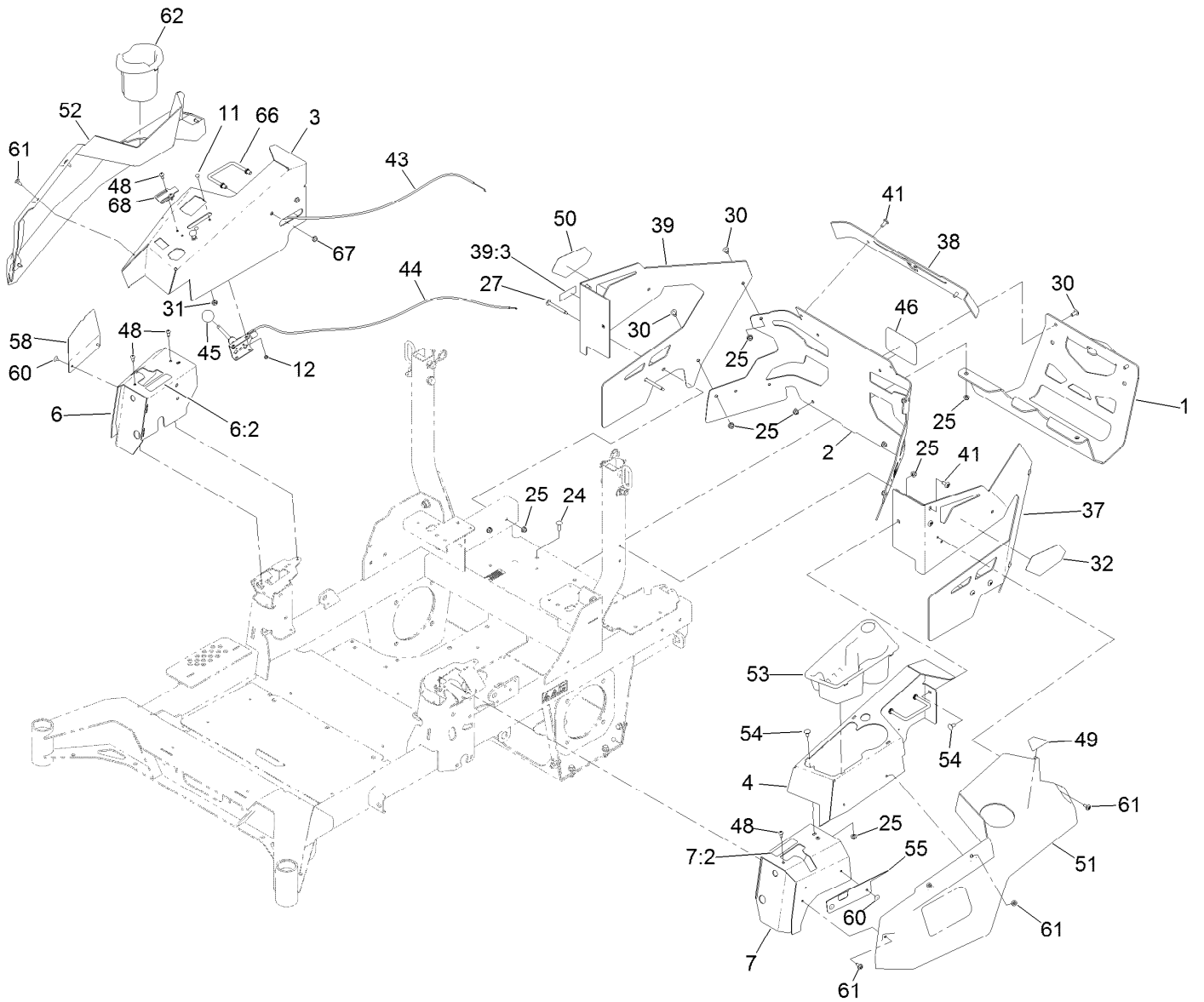
RH Transaxle Assembly No. 139-1075



RH Transaxle Assembly No. 139-1075 (continued)

<i>Ref.</i>	<i>Part Number</i>	<i>Qty.</i>	<i>Description</i>	<i>Ref.</i>	<i>Part Number</i>	<i>Qty.</i>	<i>Description</i>
1	144-6598	1	Kit, Filter	40	144-6601	1	Fitting-5/8 Beaded, 7/8 SAE
2	144-6599	1	Kit, Filler Cap	64	125-4684	1	Spring-Extension
18	144-6594	1	Hub-4 Bolt	88	145-3637	1	Seal, Brake
20	144-6595	1	Nut, Slotted	99	144-6600	1	Kit, Seal
36	144-6597	1	Kit, Fan And Pulley				

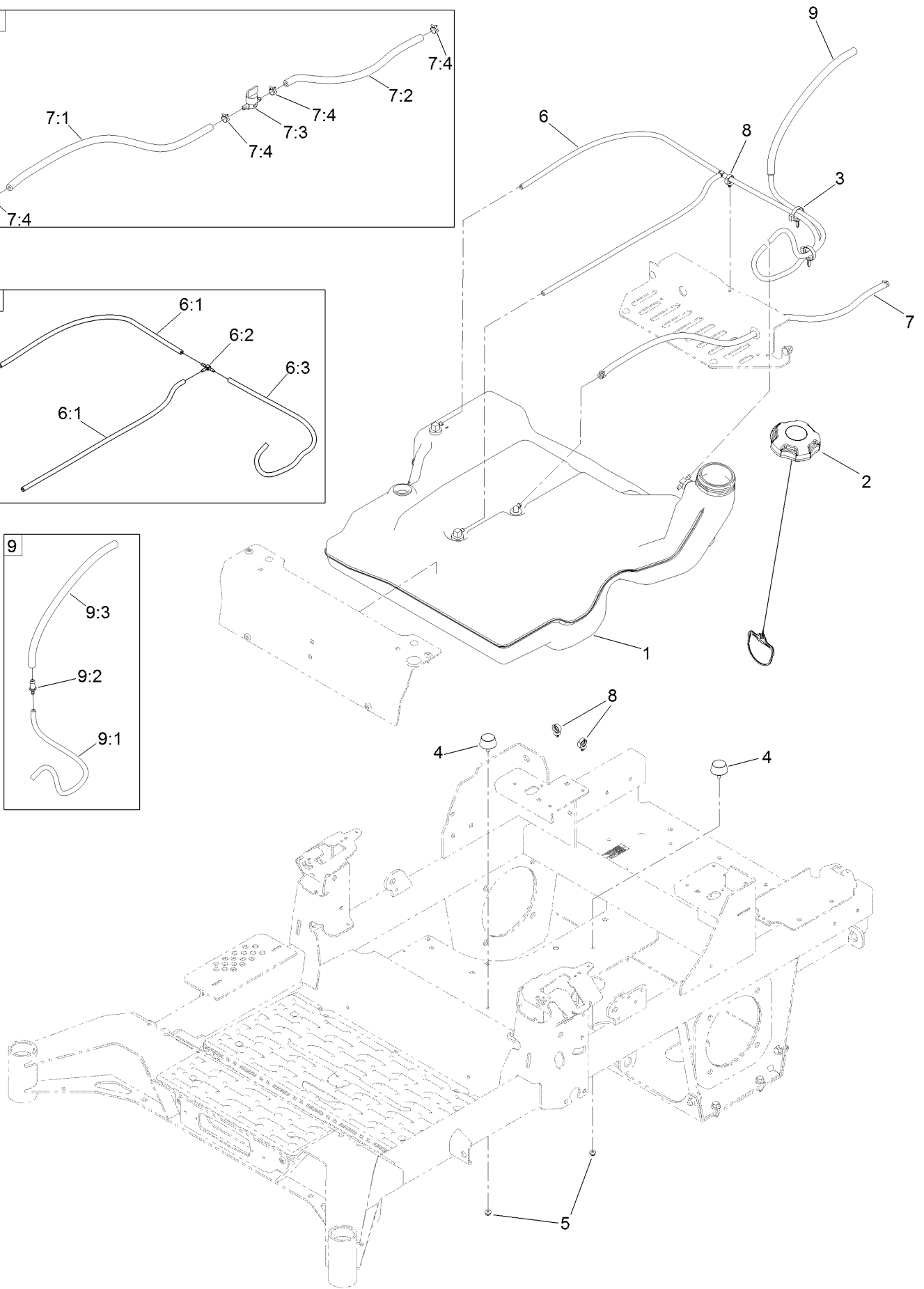
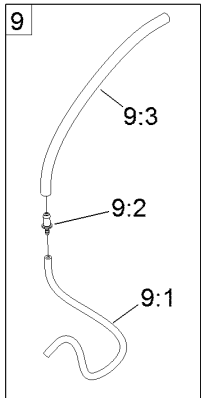
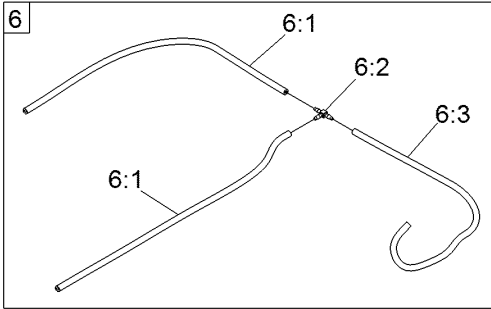
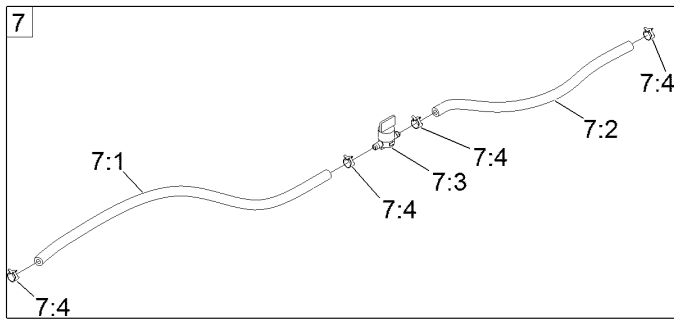
Throttle, Choke Cables and Guard Assembly



Throttle, Choke Cables and Guard Assembly (continued)

<i>Ref.</i>	<i>Part Number</i>	<i>Qty.</i>	<i>Description</i>	<i>Ref.</i>	<i>Part Number</i>	<i>Qty.</i>	<i>Description</i>
1	139-6719-03	1	Guard-Muffler [black]	41	138-9753	6	Screw
2	144-2637	1	Rear Guard ASM	43	139-6735	1	Cable-Control, Choke
3	144-6551-01	1	Console-RH	44	139-6734	1	Cable-Control, Throttle
4	144-2638-01	1	Console-LH	45	1-603175	1	Knob-Ball
6	140-4867	1	RH Cover ASM	46	105-8278	1	Decal
6:2	99-8936	1	Decal-Control, Motion	48	87-6620	6	Screw-Tph Thd Form
7	140-4866	1	LH Cover ASM	49	126-9939	1	Decal-Fill, Fuel
7:2	99-8936	1	Decal-Control, Motion	50	140-7987	1	Decal-4000 Series, RH
11	1-807513	2	Bolt-CARR	51	140-7979	1	Side Pod, LH
12	3296-2	2	Nut-Lock, NI	52	140-7980	1	Side Pod, RH
24	3230-22	2	Screw-CARR	53	140-7968	1	Cup Holder
25	104-8300	16	Nut-HF, NI	54	3230-18	4	Screw-CARR
27	126-6267	4	Screw-Torx	55	140-7996-03	1	Plate-Cover, LH Front
30	126-6268	6	Screw-Torx	58	140-7998-03	1	Plate-Cover, RH Front
31	3220-3	1	Nut-HJ	60	132-5064	4	Rivet-Pop
32	139-1149	1	Decal - 4000 Series, LH	61	120-7950	8	Screw-Torx
37	140-7952-01	1	Guard-Rear, LH	62	140-8019	1	Cupholder-RH
38	140-1221-01	1	Guard-Rear, Top	66	144-2642	2	Rod-Support, Pod
39	140-4865	1	RH Rear Guard ASM	67	3296-59	4	Nut-Lock, NI
39:3	133-8062	1	Decal-Arrestor, Spark	68	144-6550	1	Plate-Throttle Stop

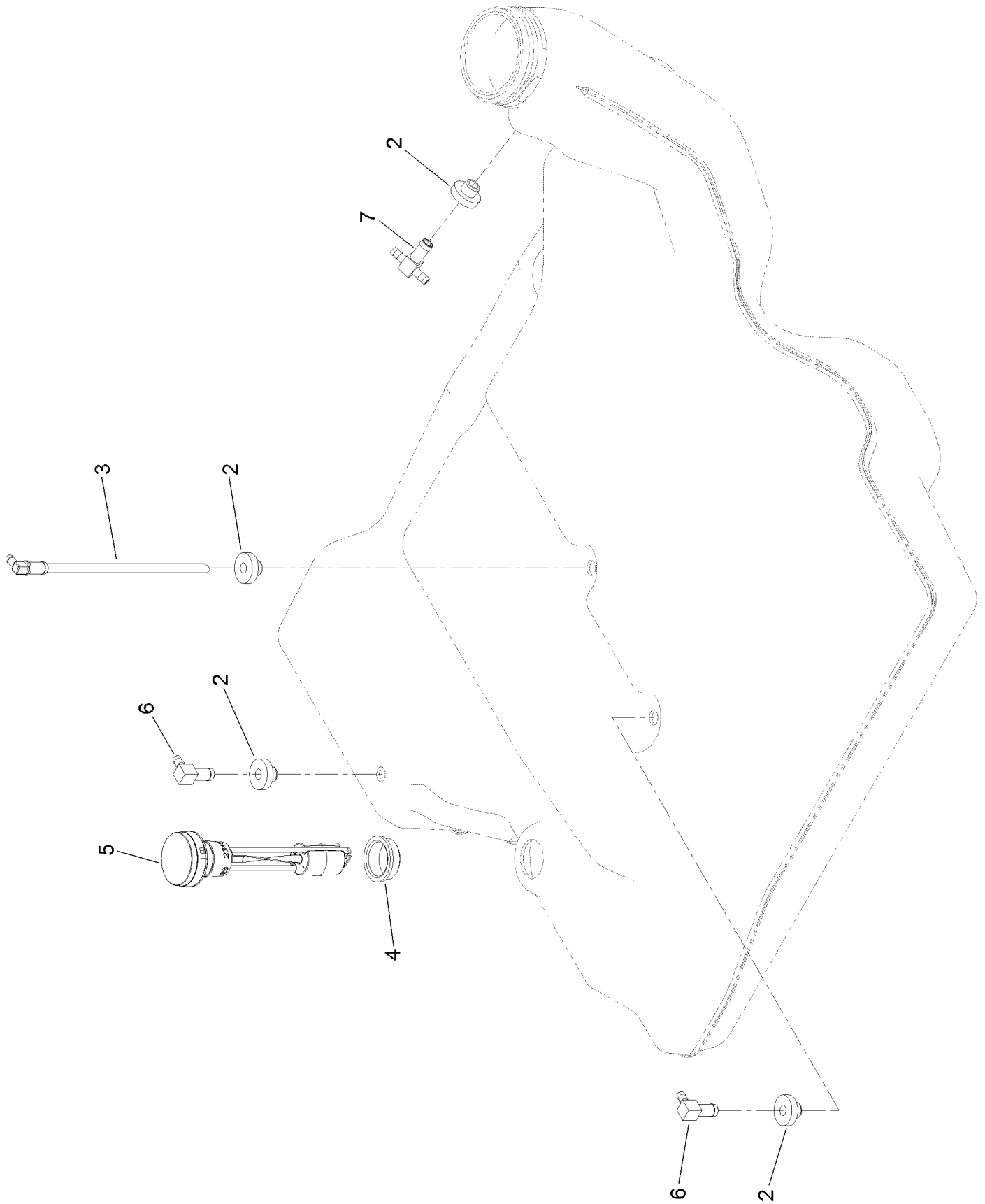
Fuel System Assembly



Fuel System Assembly (continued)

<i>Ref.</i>	<i>Part Number</i>	<i>Qty.</i>	<i>Description</i>	<i>Ref.</i>	<i>Part Number</i>	<i>Qty.</i>	<i>Description</i>
1	139-6722	1	Fuel Tank ASM	7:1	109-0298	1	Line-Fuel
2	135-4801	1	Cap-Fuel, Ratcheting	7:2	114-3766	1	Hose-Fuel
3	104-2490	2	Clamp-Hose	7:3	1-603770	1	Valve-Fuel
4	131-8834	2	Bumper	7:4	2412-98	4	Clamp-Hose
5	104-7201	2	Nut-HF, NI	8	126-5523	3	Clip
6	139-8067	1	Vent Hose ASM	9	140-4957	1	ASM-Fuel Vent
6:1	138-3152	2	Hose-Vent	9:1	138-3152	1	Hose-Vent
6:2	120-2234	1	Fitting-Tee	9:2	116-4630	1	Fitting-Orifice, Straight
6:3	140-4956	1	Hose-Fuel	9:3	116-4344	1	Hose-Fuel
7	139-8068	1	Fuel Hose ASM				

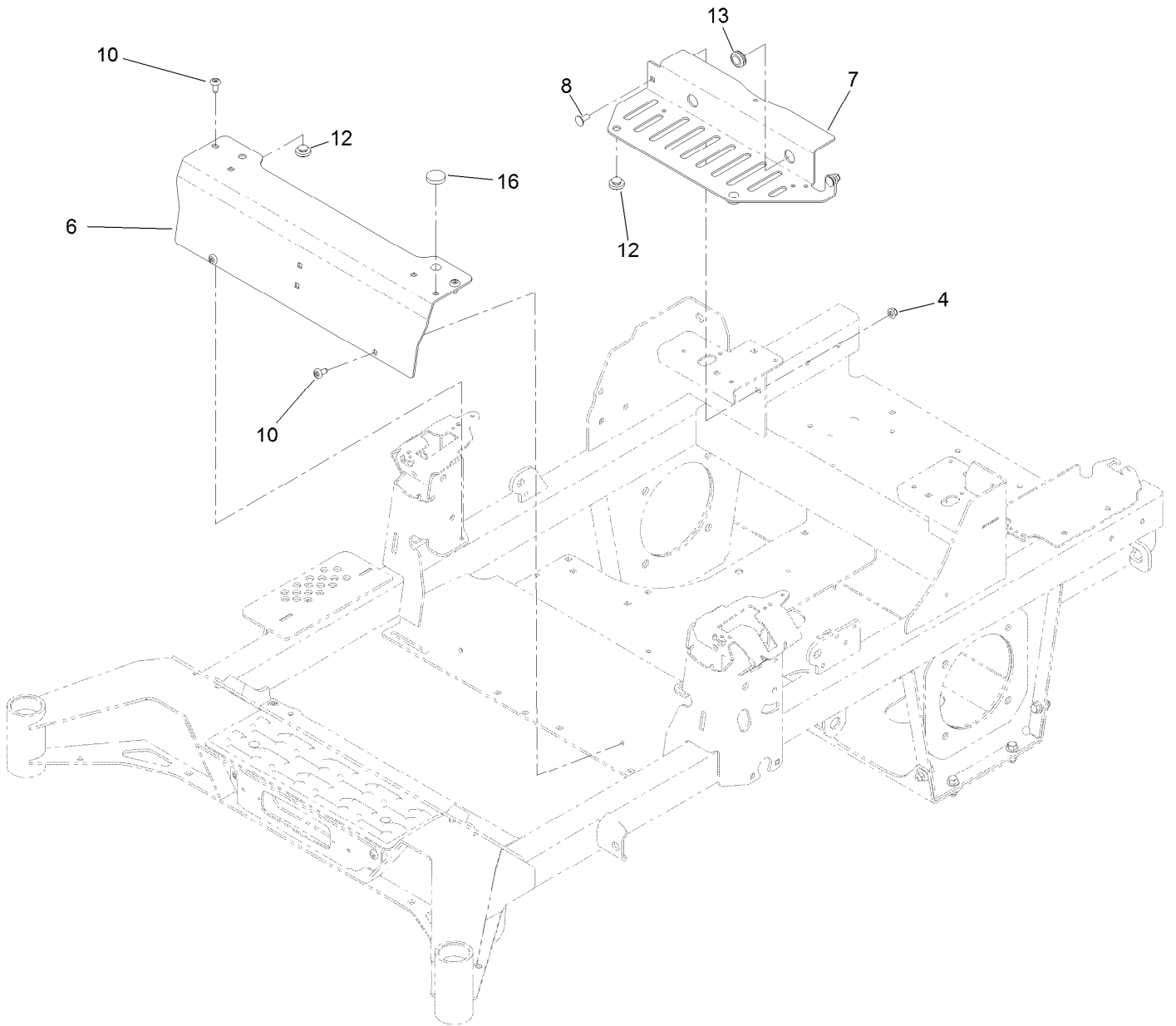
Fuel Tank Assembly No. 139-6722



Fuel Tank Assembly No. 139-6722 (continued)

<i>Ref.</i>	<i>Part Number</i>	<i>Qty.</i>	<i>Description</i>	<i>Ref.</i>	<i>Part Number</i>	<i>Qty.</i>	<i>Description</i>
2	46-6560	4	Bushing	5	139-8058	1	Gauge-Fuel
3	140-4955	1	Connector Elbow-90 DEG	6	126-9057	2	Fitting-90 DEG
4	133-9269	1	Grommet-Fuel	7	140-4954	1	Fitting-Tee

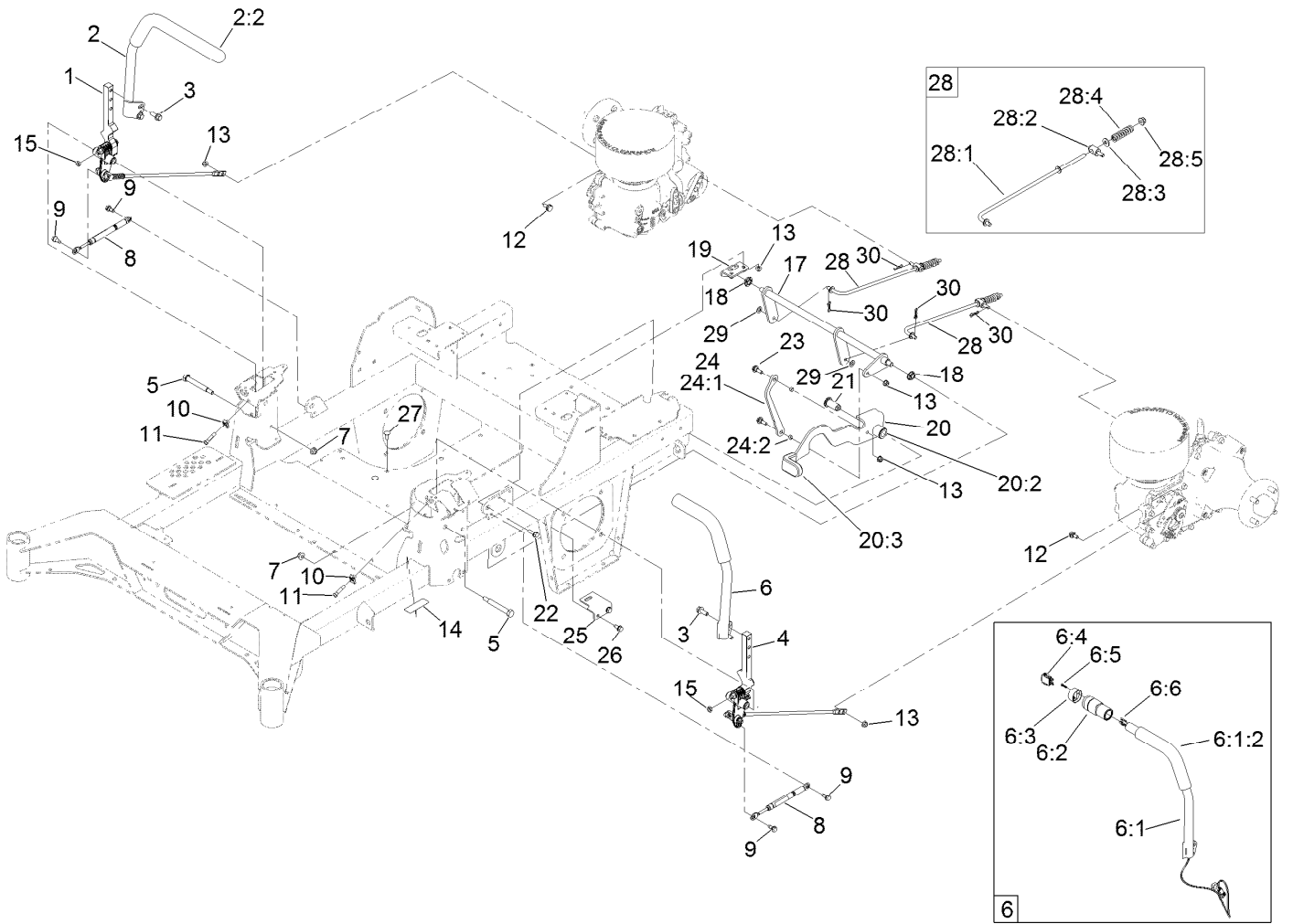
Tank Retainer Assembly



Tank Retainer Assembly (continued)

<i>Ref.</i>	<i>Part Number</i>	<i>Qty.</i>	<i>Description</i>	<i>Ref.</i>	<i>Part Number</i>	<i>Qty.</i>	<i>Description</i>
4	104-8300	2	Nut-HF, NI	10	138-9753	4	Screw
6	139-6706-03	1	Plate-Tank Retainer, Front	12	135-0505	4	Bumper-Seat
7	139-6707-03	1	Plate-Tank Retainer, Rear	13	112-7069	1	Grommet
8	3230-23	2	Bolt-CARR	16	109-9233	1	Bumper-Push-In, Rubber

Motion Control Assembly

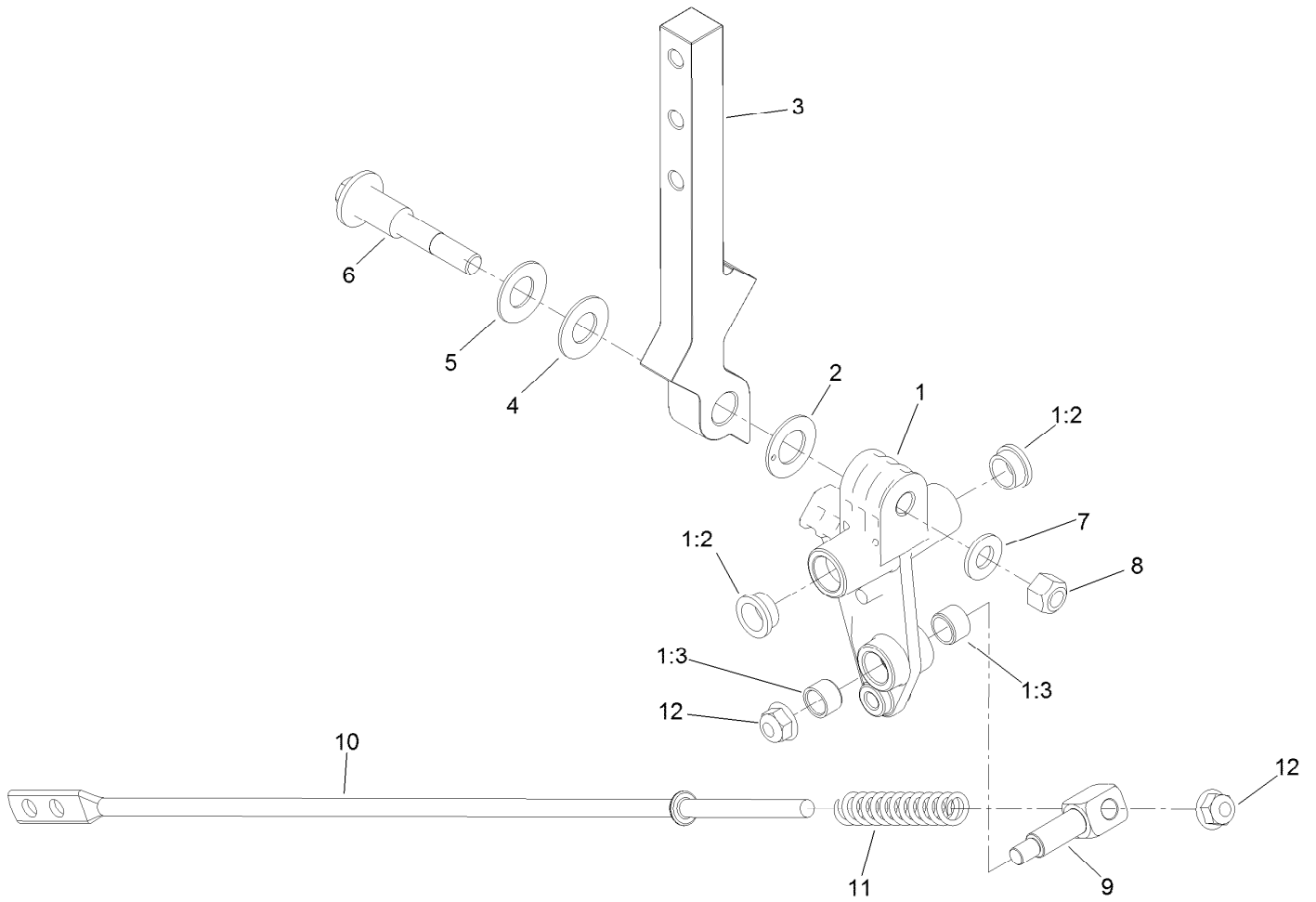


Motion Control Assembly (continued)

<i>Ref.</i>	<i>Part Number</i>	<i>Qty.</i>	<i>Description</i>	<i>Ref.</i>	<i>Part Number</i>	<i>Qty.</i>	<i>Description</i>
1	139-6697	1	Motion Control ASM-RH	17	144-2658	1	Brake ASM
2	139-1089	1	Handle ASM - RH	18	126-5820	2	Bearing-Spherical
2:2	109-5668	1	Grip-Lever, Control	19	139-6742	1	Bracket-Brake
3	3234-42	4	Screw-HHF	20	139-6726	1	Brake Lever ASM W/Grip
4	139-6696	1	Motion Control ASM-LH	20:2	109-8054	2	Bushing-Flange
5	115-5099	2	Bolt-Pivot	20:3	132-4749	1	Grip-Lever
6	140-8020	1	Handle ASM-LH	21	139-6743	1	Pivot-Handle
6:1		1	Handle ASM - LH ●	22	3234-29	1	Screw-HHF
6:1:2	109-5668	1	Grip-Lever, Control	23	116-2670	2	Screw-Shoulder
6:2	125-2662	1	Case ASM	24	144-6566	1	Brake Link ASM
6:3	121-3399	1	Cap-Switch	24:1	144-6565	1	Plate-Link, Handle
6:4	140-1228	1	Switch, Spdt (On)-Off-(On)	24:2	116-4976	2	Bushing-Sleeve
6:5	94-4496	2	Screw-PPH	25	139-6745	1	Plate-Switch
6:6	144-0354	1	Harness-Wire, Handle	26	32144-70	2	Screw-HWHTF
7	104-8301	2	Nut-HF, NI	27	3230-23	2	Bolt-CARR
8	126-4322	2	Damper	28	144-0353	2	Brake Rod ASM
9	126-4424	4	Screw-Shoulder	28:1	140-4952	1	Rod-Brake
10	112-3306	2	Nut	28:2	139-6741	1	Fitting-Rod
11	126-4299	2	Screw-HSBH	28:3	3256-3	1	Washer-Flat
12	37-8771	2	Bolt-Shoulder, HF	28:4	144-2645	1	Spring-Compression
13	104-8300	6	Nut-HF, NI	28:5	104-8301	1	Nut-HF, NI
14	115-9625	1	Decal-Brake, Parking	29	3256-45	2	Washer-Flat
15	3218-3	2	Nut-Jam	30	119-1415	4	Pin-Cotter, Locking

● Not serviced separately

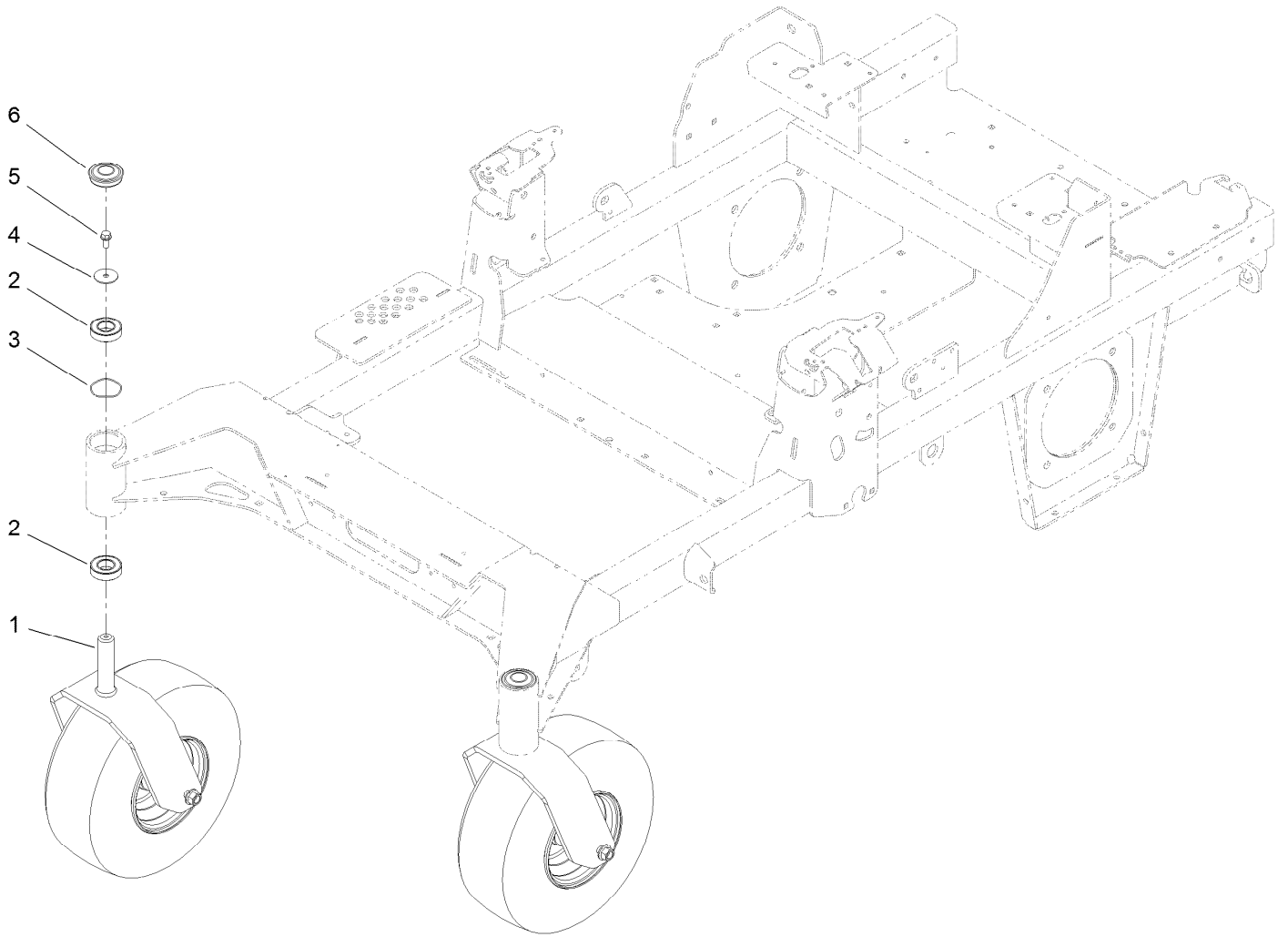
Left and Right Control Arm Assembly



Left and Right Control Arm Assembly (continued)

<i>Ref.</i>	<i>Part Number</i>	<i>Qty.</i>	<i>Description</i>	<i>Ref.</i>	<i>Part Number</i>	<i>Qty.</i>	<i>Description</i>
1	126-3773	1	Control Arm ASM	6	117-1198	1	Bolt-Pivot
1:2	126-8909	2	Bushing	7	3256-24	1	Washer-Flat
1:3	1-413152	2	Bushing-Sleeve	8	32152-2	1	Nut-Lock, Cone
2	126-7296	1	Washer-Friction	9	126-5434	1	Swivel
3	126-8182	1	Arm-Control	10	140-4949	1	Link-Control
4	117-1240	1	Washer	11	126-8195	1	Spring-Return, Neutral
5	119-8925	1	Washer-Belleville	12	104-8300	2	Nut-HF, NI

Caster Wheel Assembly

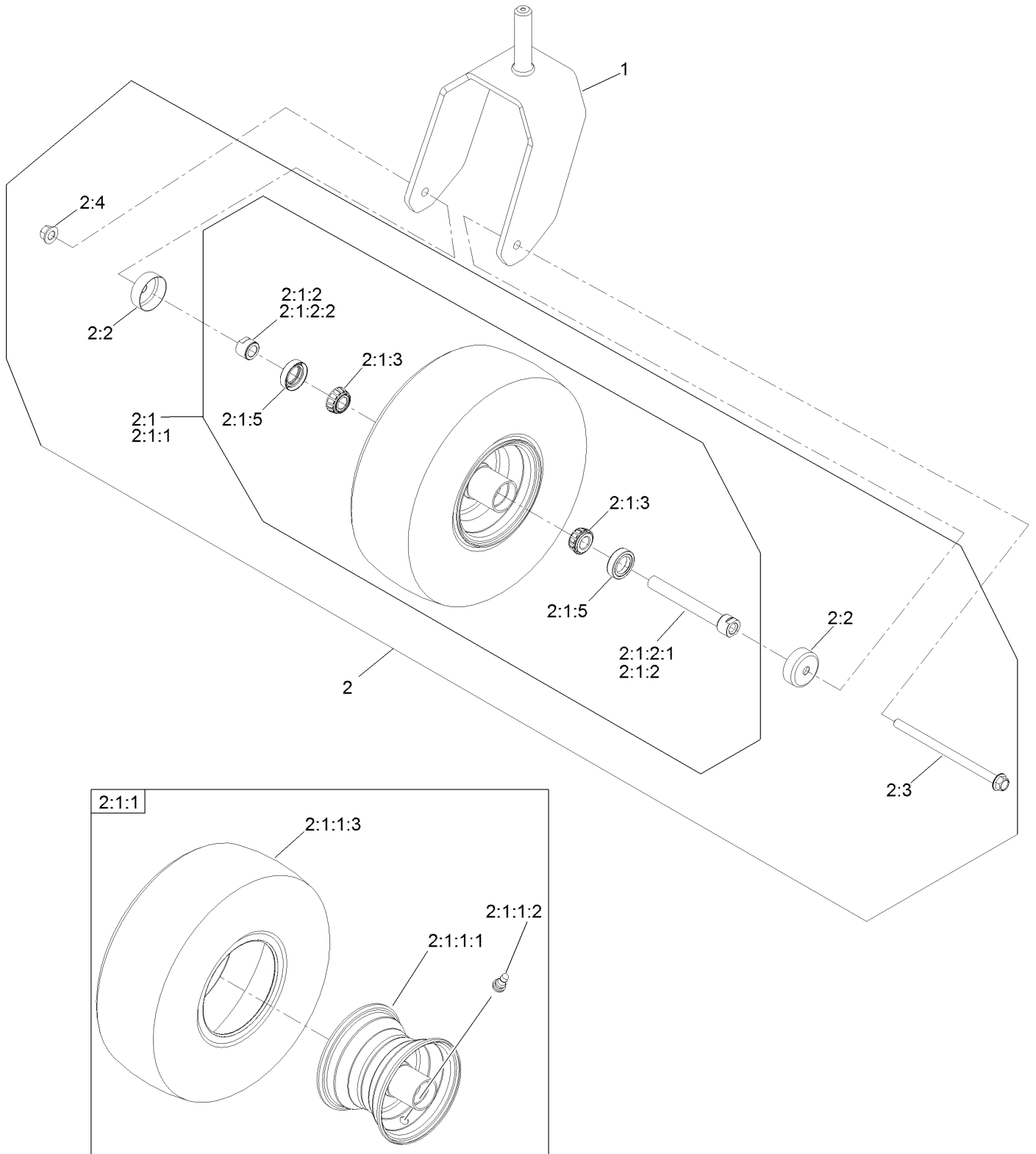


Caster Wheel Assembly (continued)

<i>Ref.</i>	<i>Part Number</i>	<i>Qty.</i>	<i>Description</i>	<i>Ref.</i>	<i>Part Number</i>	<i>Qty.</i>	<i>Description</i>
1		2	ASM-Front Caster W/Fork ●	4	3256-68	2	Washer-Flat
2	109-3678	4	Bearing-Ball	5	3234-5	2	Screw-HHF
3	126-5897	2	Spring	6	144-0375	2	Cap, Grease

● Not serviced separately

Caster Wheel and Fork Assembly

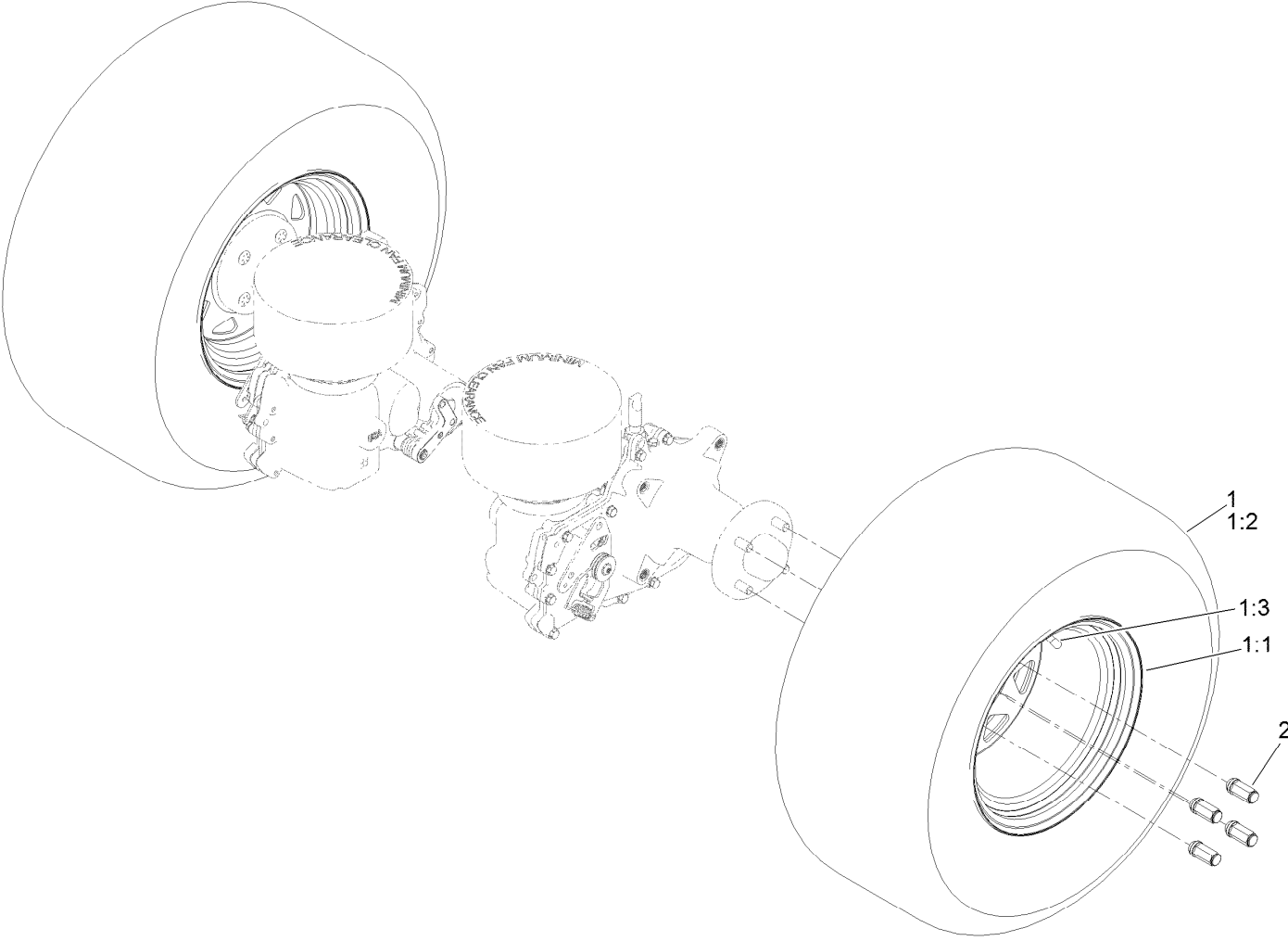


Caster Wheel and Fork Assembly (continued)

<i>Ref.</i>	<i>Part Number</i>	<i>Qty.</i>	<i>Description</i>	<i>Ref.</i>	<i>Part Number</i>	<i>Qty.</i>	<i>Description</i>
1	140-4941-01	1	Caster Fork [red]	2:1:2		1	Caster Axle ASM ●
2	140-4943	1	ASM-Wheel Brgs Axle 15X6.5-6	2:1:2:1	126-5220	1	Axle-Caster
2:1		1	ASM Whl/Brgs 15X6.5-6 ●	2:1:2:2	103-3051	1	Spacer-Nut
2:1:1	140-4945	1	Wheel And Tire ASM 15X6.5-6	2:1:3	1-633585	2	Bearing-Cone, Taper
2:1:1:1	139-3624	1	Wheel Rim 6X4.5	2:1:5	103-0063	2	Seal-Caster
2:1:1:2	5108	1	Valve	2:2	103-2768	2	Guard-Seal
2:1:1:3	140-4946	1	Tire	2:3	126-5389	1	Screw-HHF
				2:4	99-5107	1	Nut-Lock

● Not serviced separately

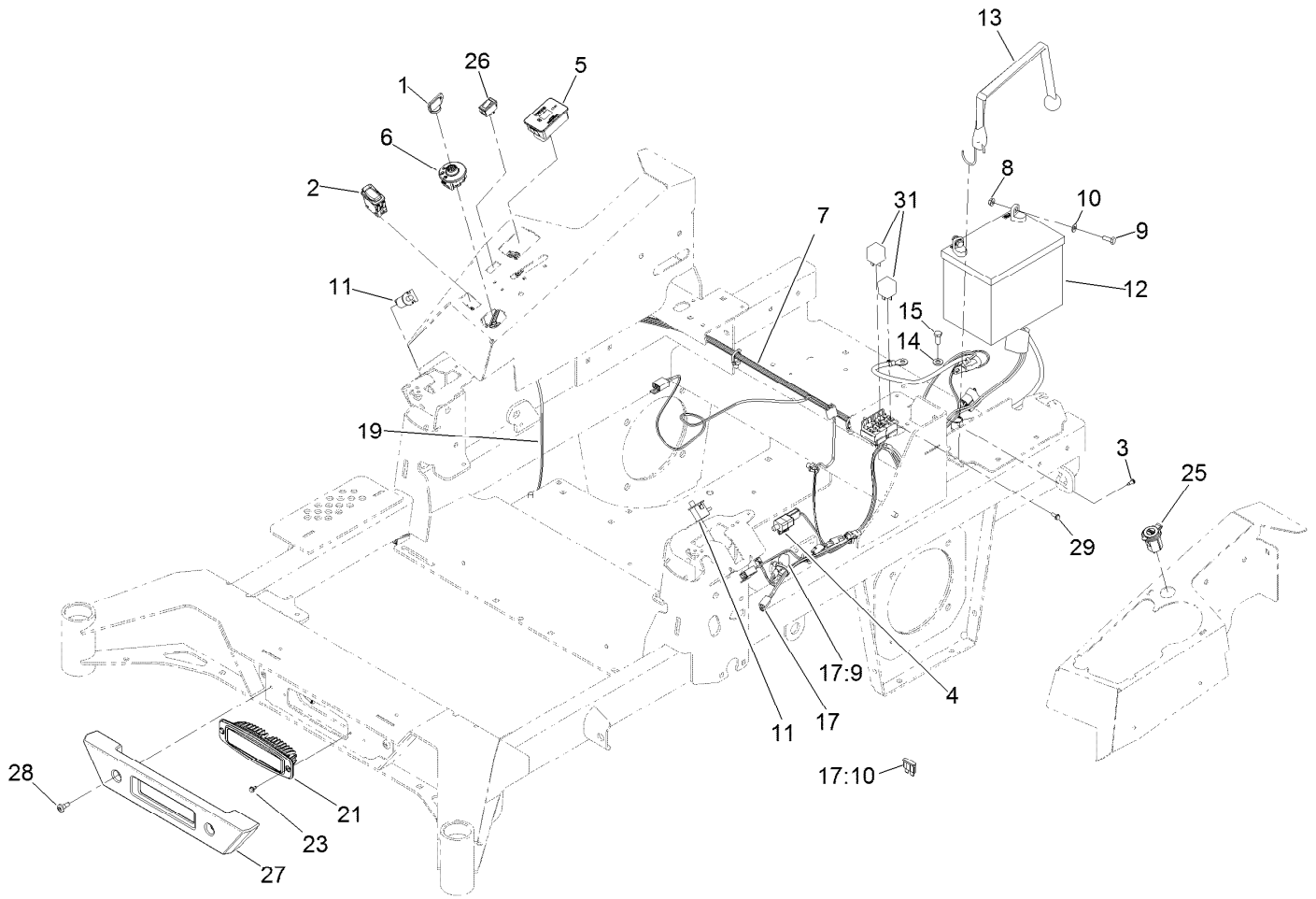
Rear Wheel Assembly



Rear Wheel Assembly (continued)

<i>Ref.</i>	<i>Part Number</i>	<i>Qty.</i>	<i>Description</i>	<i>Ref.</i>	<i>Part Number</i>	<i>Qty.</i>	<i>Description</i>
1	140-7984	2	Wheel And Tire ASM	1:3	232-27	1	Stem-Valve
1:1	140-7970	1	Wheel	2	139-3603	2	Nut-Lug
1:2	140-7986	1	Tire				

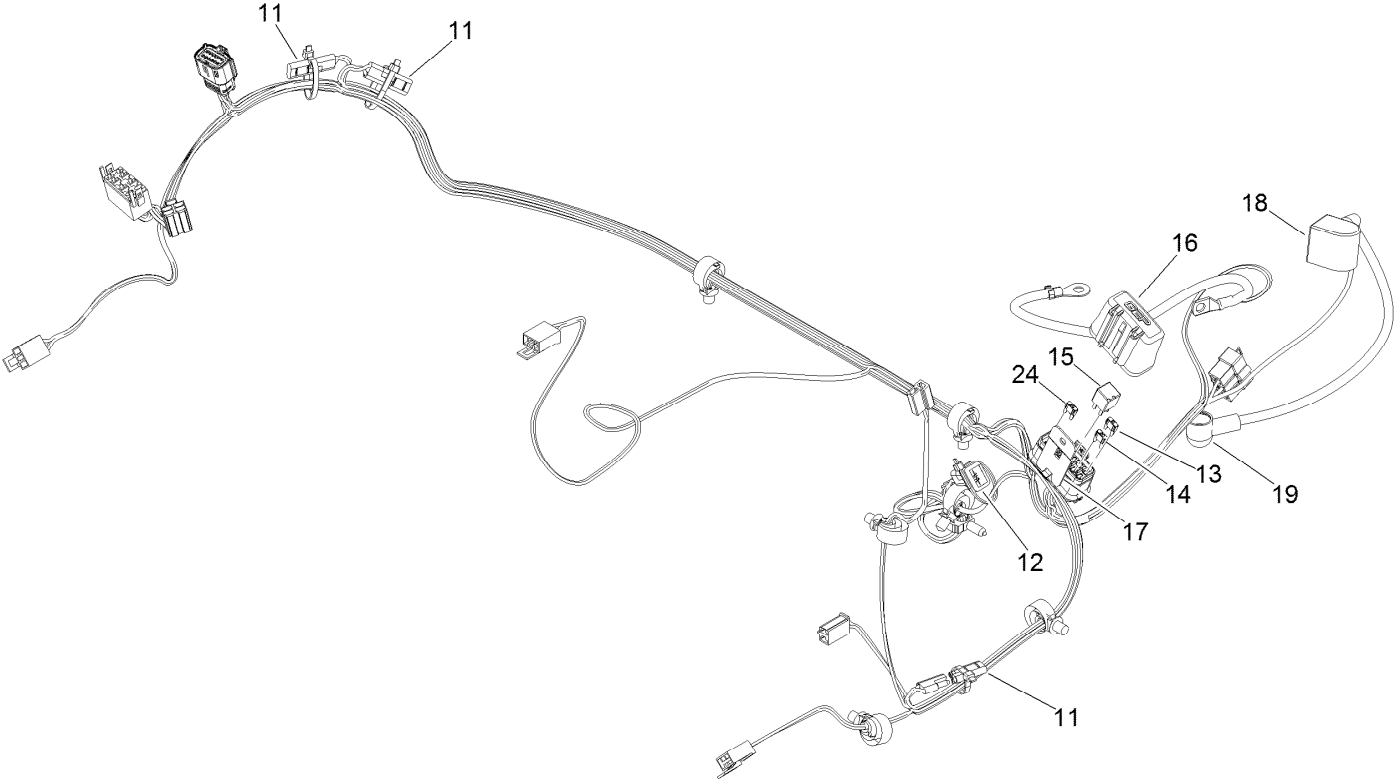
Electrical Assembly



Electrical Assembly (continued)

<i>Ref.</i>	<i>Part Number</i>	<i>Qty.</i>	<i>Description</i>	<i>Ref.</i>	<i>Part Number</i>	<i>Qty.</i>	<i>Description</i>
1	1-603511	1	Keys-Ignition (Spare Pair)	14	33094-00	1	Washer-Plain
1	63-8360	1	Key-Ignition	15	33114-020	1	Screw-HH
2	139-6368	1	Switch-Rocker, On-None-On	17	140-1200	1	Harness-Wire, Deck Lift
3	99-8445	1	Screw-HWH	17:9	103-3895	1	Diode
4	110-6765	1	Switch	17:10	109101	1	Fuse-Blade, 20 Amp
5	116-5609	1	Module ASM	19	140-1213	1	Harness-Wire, Light Kit
6	137-4100	1	Switch-Ignition	21	139-8089	1	Mount-Flush, Light
7	139-8078	1	Harness-Wire	23	104-2065	2	Screw-HWH
8	32128-33	2	Nut-HF	25	140-7955	1	Port-Power, USB
9	321-4	2	Screw-HH	26	92-8875	1	Switch-Rocker
10	3256-22	2	Washer-Flat	27	140-4993	1	Bumper-Front
11	82-2190	2	Switch-Bail	28	135-2015	2	Screw-Shoulder
12	104-8162	1	Battery	29	32144-1	1	Screw-Taptite
13	126-7627	1	Strap-Bungee	31	1-643275	2	Relay

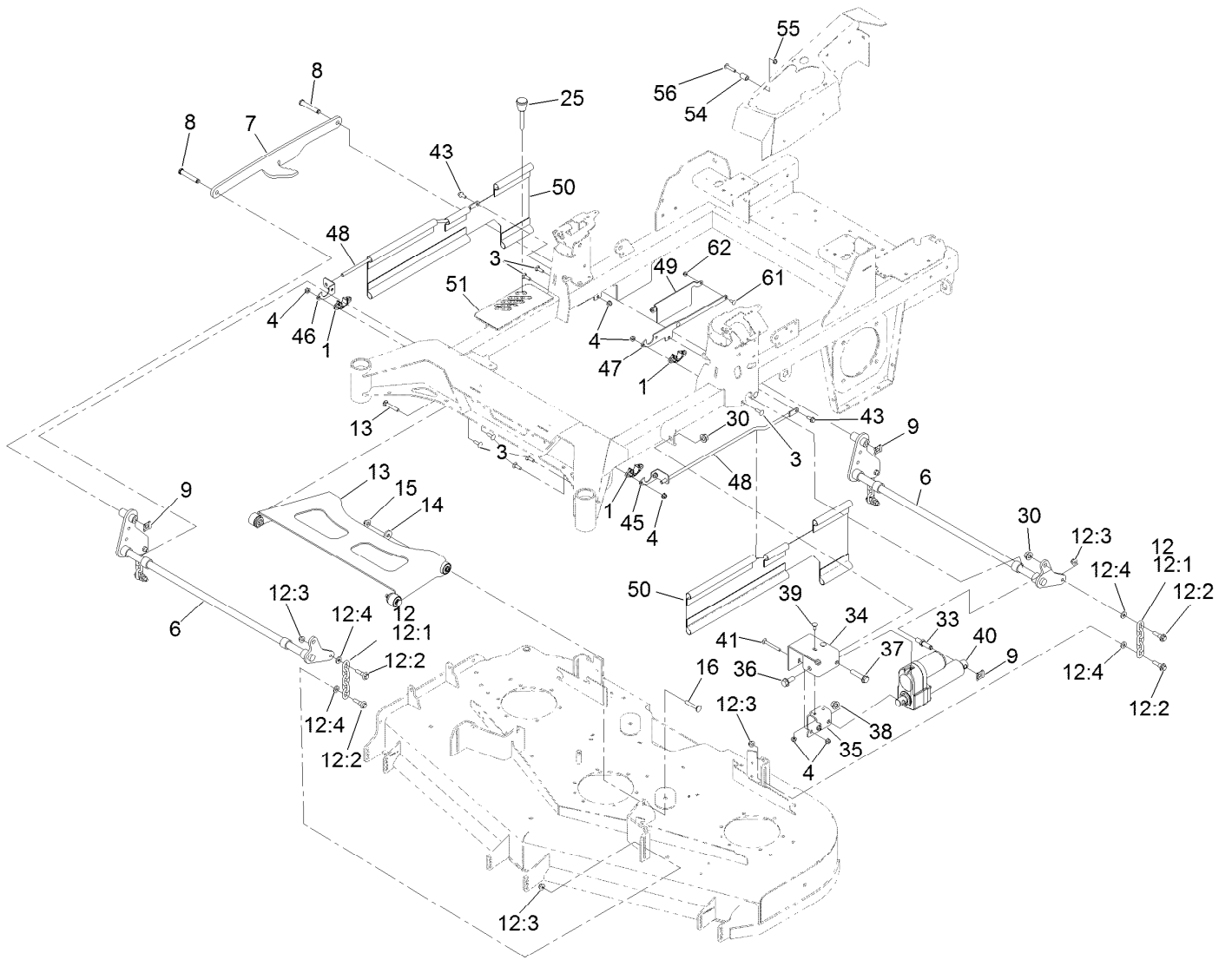
Wire Harness Assembly No. 139-8078



Wire Harness Assembly No. 139-8078 (continued)

<i>Ref.</i>	<i>Part Number</i>	<i>Qty.</i>	<i>Description</i>	<i>Ref.</i>	<i>Part Number</i>	<i>Qty.</i>	<i>Description</i>
11	116-0053	3	Cap-Plug	16	32180-176	1	Cover-Block, Fuse
12	103-3895	1	Diode	17	32180-177	1	Clip-Mounting
13	121-8867	1	Fuse-Mini Blade, 15 Amp	18	126-8876	1	Insulator-Battery
14	121-8868	1	Fuse-Mini Blade, 20 Amp	19	1-543393	1	Insulator-Solenoid
15	126-3991	1	Relay-Micro	24	121-8869	1	Fuse-Mini Blade, 25 Amp

Deck Lift Assembly



Deck Lift Assembly (continued)

<i>Ref.</i>	<i>Part Number</i>	<i>Qty.</i>	<i>Description</i>	<i>Ref.</i>	<i>Part Number</i>	<i>Qty.</i>	<i>Description</i>
1	115-5065	4	Bushing-Flange	36	3234-38	1	Screw-HHF
3	3230-22	8	Screw-CARR	37	3234-46	1	Screw-HHF
4	104-8300	14	Nut-HF, NI	38	99-5107	1	Nut-Lock
6	140-4975-03	2	Deck Lift Shaft ASM [black]	39	137-3061	2	Bolt-CARR
7	126-4639-03	1	Link-Lift	40	139-8111	1	Actuator-Linear
8	126-9181	2	Pin-Clevis	41	3230-9	2	Screw-CARR
9	138-8491	3	Clip-Pin	43	3234-47	2	Screw-HHF
12	126-8877	4	Deck Chain ASM	45	140-4918	1	Bracket-Mount, Upper Front (LH)
12:1	1-633447	1	Chain-Lift, Deck	46	140-4919	1	Bracket-Mount, Upper Front (RH)
12:2	130-0742	2	Bolt-Shoulder	47	145-1275	2	Bracket-Mounting, Upper
12:3	104-8301	2	Nut-HF, NI	48	126-7760	2	Rod-Support, Upper
12:4	43-0940	2	Spacer	49	145-1276-03	2	Bracket-Flag
13	140-1179	1	ASM-Deck Strut W/ Bushings	50	126-8561	2	Guard-Side
14	1-373034	2	Washer	51	140-4927	1	Decal-HOC, MM
15	109-6658	2	Nut-Flange, NI	54	114-2754	1	Spacer
16	3231-7	2	Screw-CARR	55	3296-47	1	Nut-Lock,NI
25	126-5401	1	Pin-HOC	56	126-7439	1	Screw-Torx
30	99-5107	2	Nut-Lock	61	3229-11	4	Screw-CARR
33	139-8135	1	Pin-Pivot, Actuator	62	104-7201	4	Nut-HF, NI
34	145-3663-01	1	Bracket-Mount, Outer				
35	145-3664-01	1	Bracket-Mount, Inner				

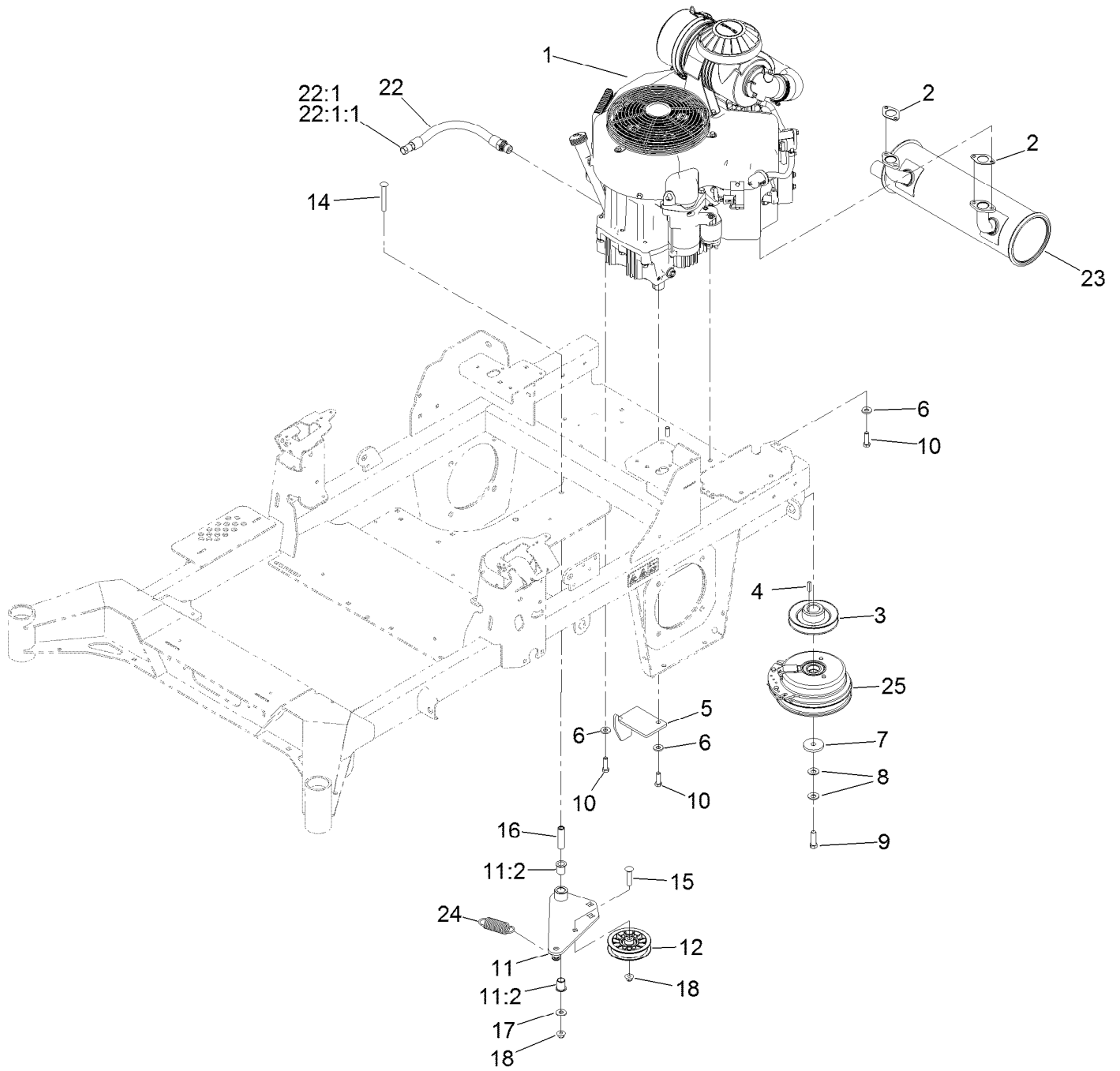
Deck Strut Assembly No. 140-1179



Deck Strut Assembly No. 140-1179 (continued)

<i>Ref.</i>	<i>Part Number</i>	<i>Qty.</i>	<i>Description</i>	<i>Ref.</i>	<i>Part Number</i>	<i>Qty.</i>	<i>Description</i>
2	126-8360	4	Bushing-Rubber, Suspension	4	3231-7	2	Screw-CARR
3	108-6544	4	Spacer	5	2844	2	Washer
				6	104-8301	2	Nut-HF, NI

Engine, Clutch and Muffler Assembly

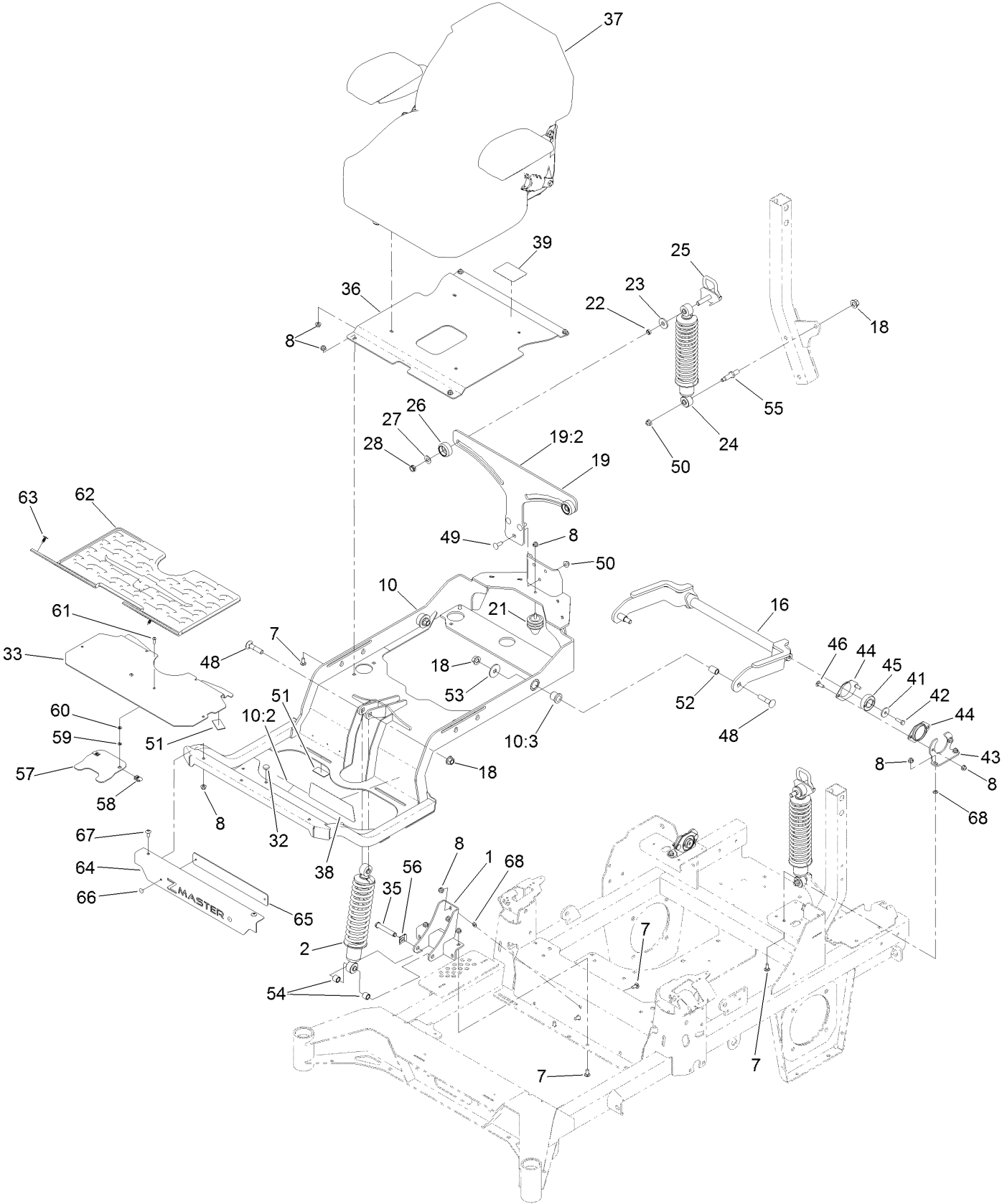


Engine, Clutch and Muffler Assembly (continued)

<i>Ref.</i>	<i>Part Number</i>	<i>Qty.</i>	<i>Description</i>	<i>Ref.</i>	<i>Part Number</i>	<i>Qty.</i>	<i>Description</i>
1	137-9243	1	Engine-Kawasaki, Fx801V-_s22-R	12	116-2456	1	Pulley-Flat Idler
2	1-653313	2	Gasket-Exhaust	14	3231-42	1	Screw-CARR
3	139-6702	1	Sheave, W/Hub	15	3231-29	1	Screw-CARR
4	1-807259	1	Key	16	139-6690	1	Bushing, Idler Pivot
5	140-1190	1	Anchor-Clutch	17	3256-4	1	Washer-Flat
6	98-5975	4	Washer-Belleville	18	104-8301	2	Nut-HF, NI
7	109-6919	1	Washer-Clutch	22	116-4924	1	Engine Oil Drain Hose ASM
8	1-603610	2	Washer-Spring	22:1	353-508	1	Plug-HH ●
9	109-9761	1	Screw-HH	22:1:1	237-42	1	O-Ring
10	323-7	4	Screw-HH	23	139-1079	1	Muffler
11	144-2671	1	Idler Arm ASM	24	1-653331	1	Spring-Idler
11:2	138-2573	2	Bushing-Flange	25	116-1604	1	Clutch

● Torque to 24-26 ft-lb

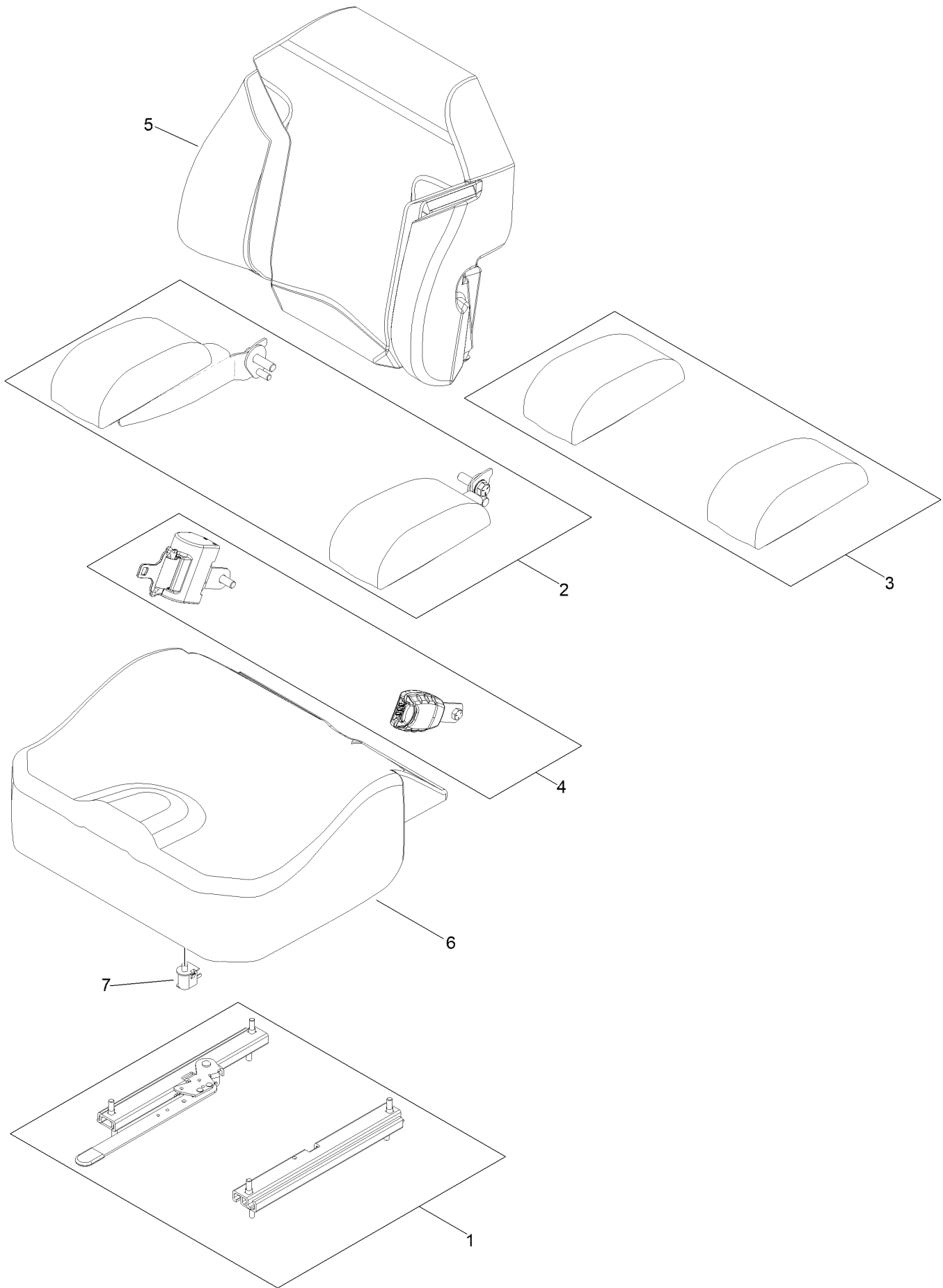
Seat Suspension Platform Assembly



Seat Suspension Platform Assembly (continued)

<i>Ref.</i>	<i>Part Number</i>	<i>Qty.</i>	<i>Description</i>	<i>Ref.</i>	<i>Part Number</i>	<i>Qty.</i>	<i>Description</i>
1	139-6691-03	1	Mount-Shock, Lower [black]	42	116-0648	2	Screw-HH, Thread Locking
2	136-1719	1	Shock ASM-Front	43	127-6759-03	2	Bracket-Bearing
7	3230-23	8	Bolt-CARR	44	127-6743	4	Housing-Bearing, Flange
8	104-8300	23	Nut-HF, NI	45	1-653346	2	Bearing
10	140-4868	1	Subframe ASM	46	3230-10	4	Bolt-CARR
10:2	132-0871	1	Decal-Danger	48	127-6768	3	Screw-CARR
10:3	127-6745	2	Bushing-Flange	49	3231-22	3	Screw-CARR
16	127-6754-03	1	Arm-Trailing	50	104-8301	5	Nut-HF, NI
18	99-5107	5	Nut-Lock	51	130-0733	4	Pad-Rubber
19	144-2602	1	Bracket-Mounting	52	127-6751	2	Spacer-Aluminum
19:2	132-5067	1	Decal-Adjustment, Ride	53	86-1990	2	Washer-Thrust
21	126-5491	1	Isolator	54	140-4869	2	Spacer-Tube
22	133-5109	2	Bearing-Sleeve	55	133-4401	2	Bolt-Shoulder
23	131-4699	2	Washer-Plastic	56	138-8491	1	Clip-Pin
24	133-1815	2	Shock/Spring ASM	57	119-0395-03	1	Adapter-Captive
25	136-9017	2	Cam Lock ASM	58	107069	2	Clip
26	136-5636	2	Knob-Lock, Cam	59	32115-15	2	Nut-Push
27	3-6803	2	Washer-Adjusting	60	3256-60	2	Washer-Flat
28	3296-45	2	Nut-Hex	61	3274-69	2	Screw-HSBH
32	1-513658	2	Bumper	62	144-0355	1	Floormat-Myride
33	144-0381-01	1	Floorpan	63	117-2382	2	Plug-Plastic
35	126-9181	1	Pin-Clevis	64	144-0382-03	1	Plate-Badge
36	140-1197-03	1	Pan-Seat	65	144-0422-01	1	Plate-Backer
37	144-2631	1	Seat ASM-Standard	66	132-5064	2	Rivet-Pop
38	144-0437	1	Decal-Myride	67	126-6268	2	Screw-Torx
39	144-2669	1	Decal-Service Aid	68	117-2749	6	Nut-Push
41	105-3048	2	Washer-Flat				

Seat Assembly No. 144-2631

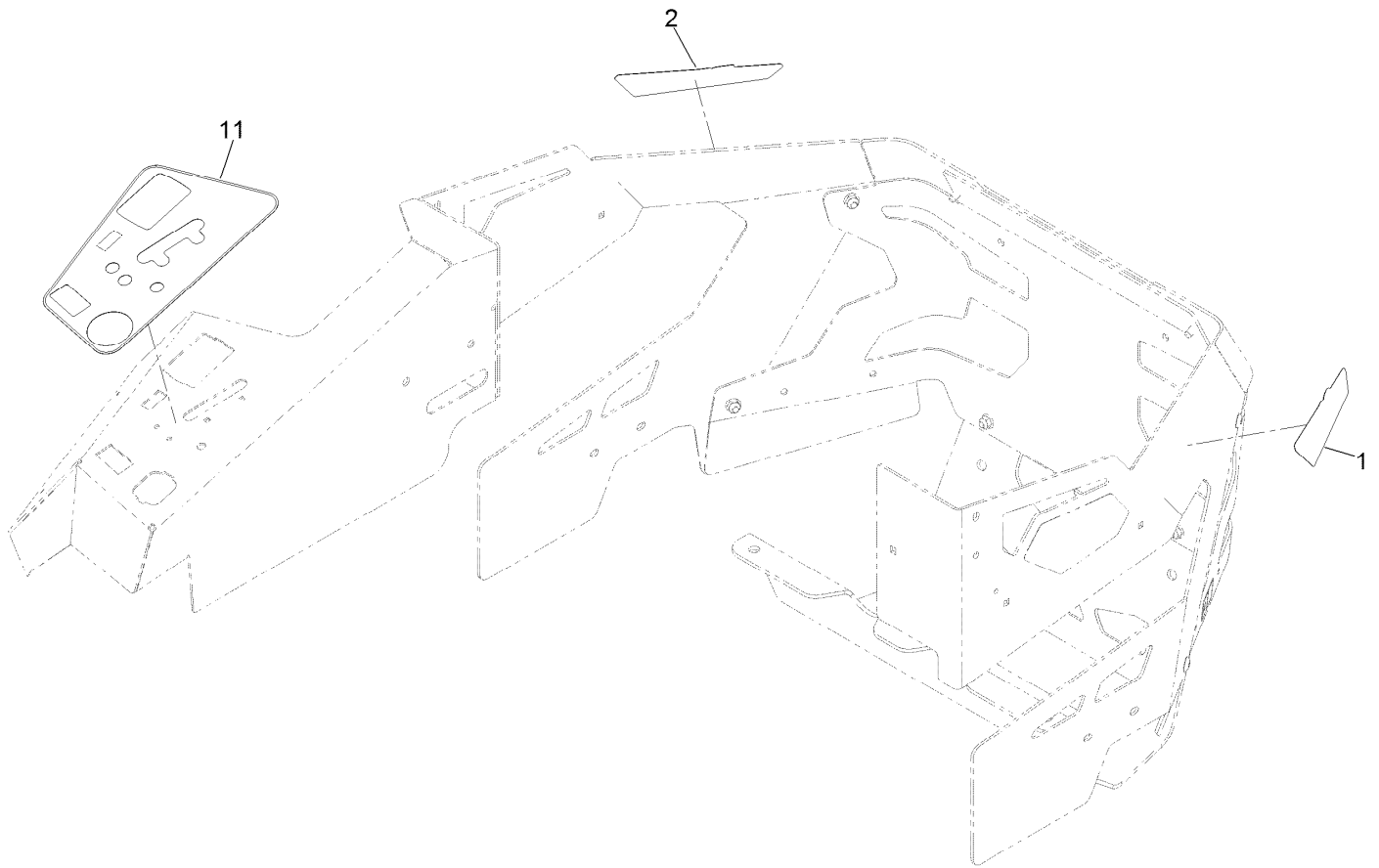


Seat Assembly No. 144-2631 (continued)

<i>Ref.</i>	<i>Part Number</i>	<i>Qty.</i>	<i>Description</i>
1	109-9801	1	Seat Track Set
2	145-3641	1	Armrest Kit
3	145-3642	1	Pads-Armrest
4	130-2854	1	Seat Belt Kit

<i>Ref.</i>	<i>Part Number</i>	<i>Qty.</i>	<i>Description</i>
5	145-3643	1	Cover-Back, Seat
6	145-3644	1	Cover-Bottom, Seat
7	82-2190	1	Switch-Bail

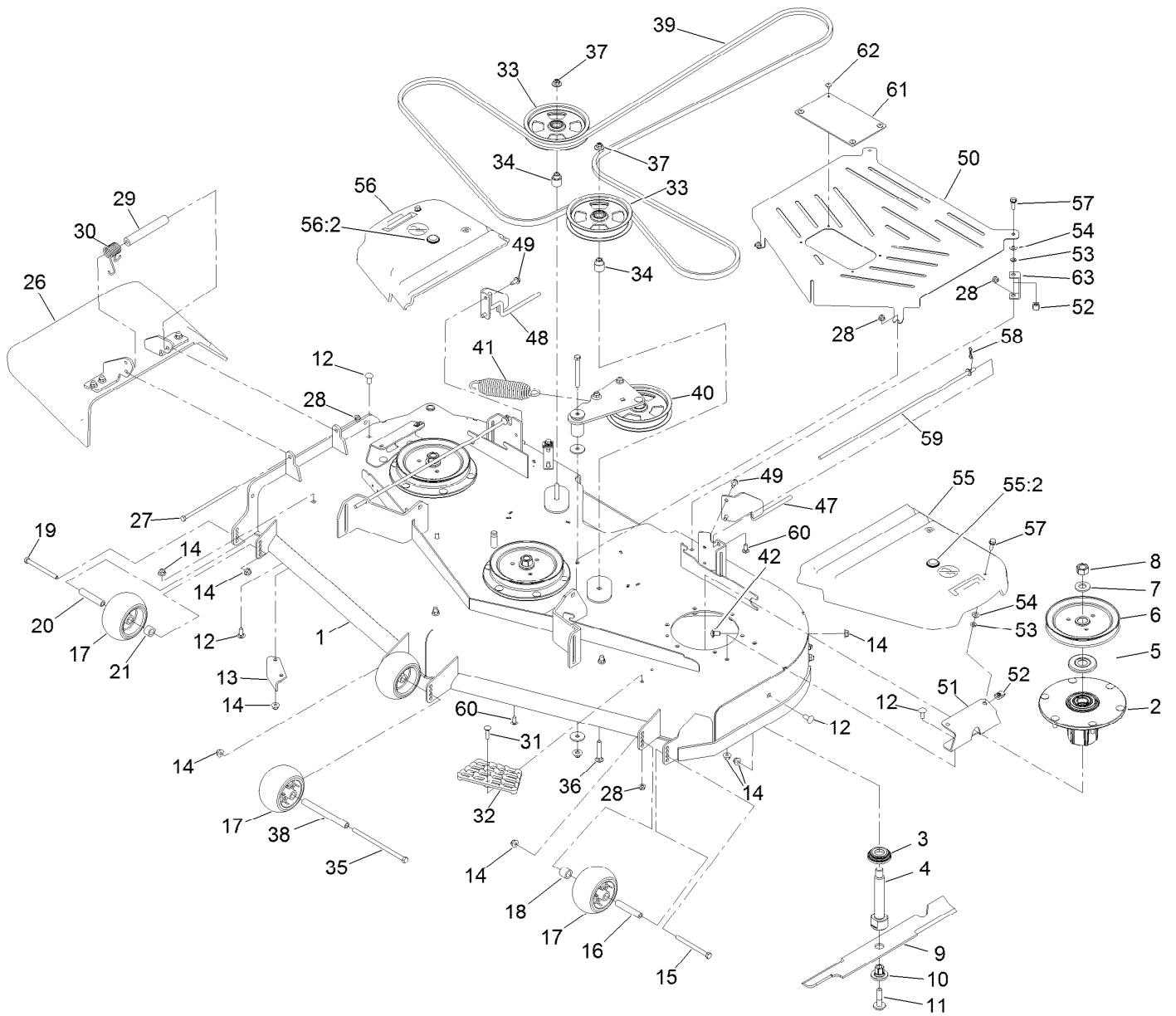
Decal Assembly



Decal Assembly (continued)

<i>Ref.</i>	<i>Part Number</i>	<i>Qty.</i>	<i>Description</i>
1	144-0438	1	Decal - Pro
2	144-0439	1	Decal - Pro
11	144-6552	1	Decal-Panel, Te Control

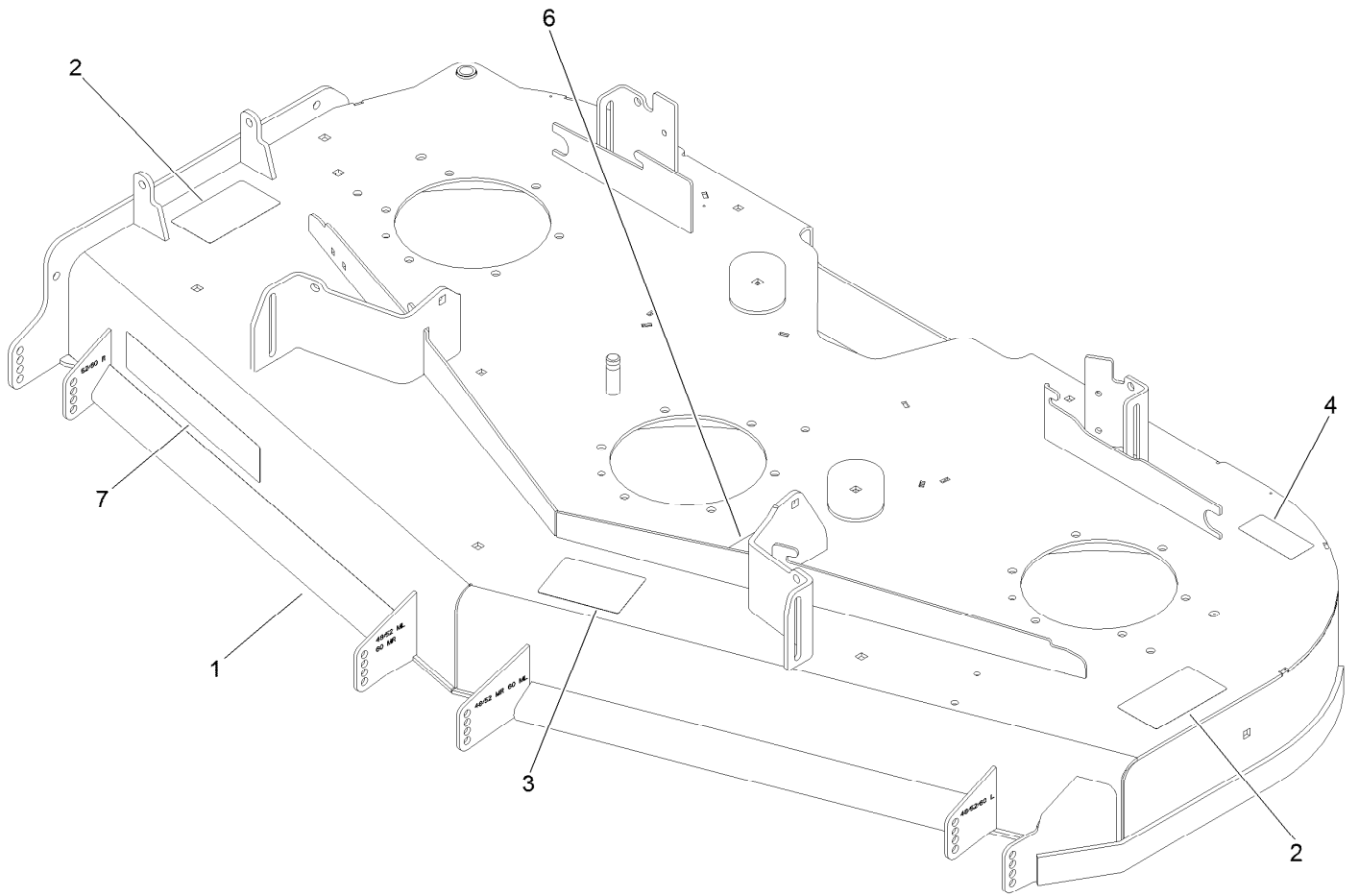
Deck Assembly



Deck Assembly (continued)

<i>Ref.</i>	<i>Part Number</i>	<i>Qty.</i>	<i>Description</i>	<i>Ref.</i>	<i>Part Number</i>	<i>Qty.</i>	<i>Description</i>
1	144-6588	1	Deck Decal ASM	34	139-8061	2	Bushing, Idler
2	137-9780	3	Spindle ASM	35	108-5388	1	Screw-HH
3	137-9784	3	Guard-Bottom	36	3231-7	2	Screw-CARR
4	138-6045	3	Shaft-Spindle	37	109-6658	2	Nut-Flange, NI
5	103-1330	3	Guard-Bearing, Top	38	98-5967	1	Spacer-Wheel
6	138-6059	3	Sheave-Drive, Blade	39	144-0357	1	Belt-V
7	103-2802	3	Washer	40	139-1087	1	Idler Arm ASM
8	116-7306	3	Nut-Hex	41	116-6317	1	Spring-Extension
9	140-1240	3	Blade	42	3231-21	3	Screw-CARR
10	137-9787	3	Bushing-Hex	47	140-4913	1	Support-Lower LH
11	109-9220	3	Screw-Sems	48	140-4914	1	Support-Lower RH
12	3231-27	10	Screw-CARR	49	32144-70	4	Screw-HWHTF
13	107-8541-01	1	Baffle-Discharge	50	145-1271-03	1	Guard-Center Belt 60
14	104-8301	34	Nut-HF, NI	51	114-5882-01	2	Bracket-Cover, Belt
15	323-23	1	Screw-HH	52	94-2413	4	Nut-U
16	98-7912	1	Tube-Spanner	53	117-2749	4	Nut-Push
17	1-603299	4	Roller-Scalp, Anti	54	73-0041	4	Washer-Thrust
18	98-7913	1	Tube-Spacer	55	117-7816	1	LH Belt Cover ASM
19	323-17	1	Screw-HH	55:2	117-3824	1	Plug-Plastic
20	133-2129	1	Tube-Shafting	56	117-7815	1	RH Belt Cover ASM
21	133-2128	1	Tube-Spacer	56:2	117-3824	1	Plug-Plastic
26	144-2635	1	Rubber Deflector ASM	57	3234-29	4	Screw-HHF
27	322-50	1	Screw-HH	58	119-1415	2	Pin-Cotter, Locking
28	104-8300	6	Nut-HF, NI	59	140-8027	2	Rod-Skirt, Lower
29	105-4622	1	Spacer	60	3230-23	4	Bolt-CARR
30	108-4052	1	Spring-Torsion	61	144-0420	1	Shield-Rubber
31	3230-3	1	Screw-CARR	62	132-5064	4	Rivet-Pop
32	126-4781-03	1	Step-Deck	63	126-9646	2	Bracket-Guard
33	132-9424	2	Pulley-Idler, Flat				

Deck Decal Assembly No. 144-6588

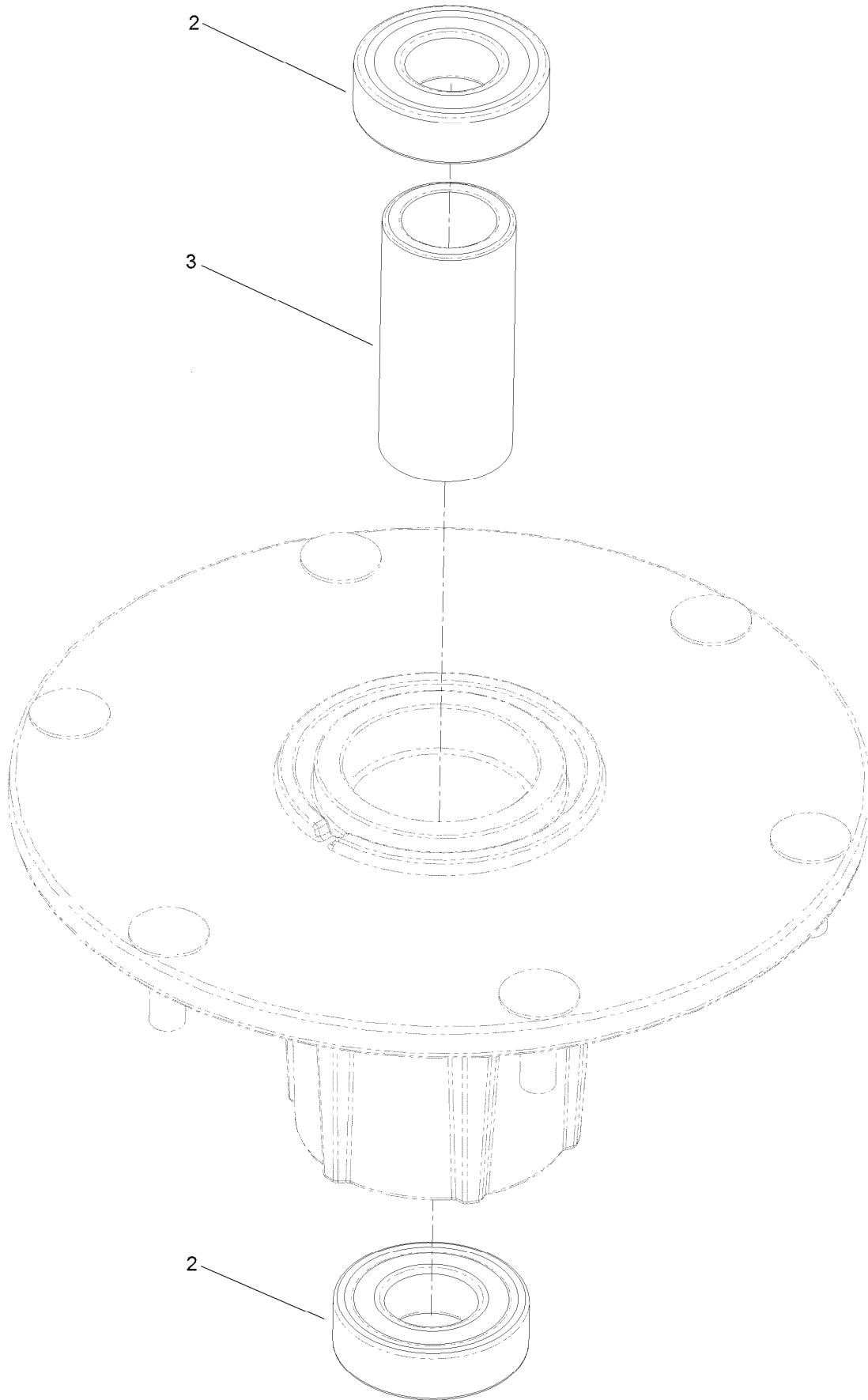


Deck Decal Assembly No. 144-6588 (continued)

<i>Ref.</i>	<i>Part Number</i>	<i>Qty.</i>	<i>Description</i>	<i>Ref.</i>	<i>Part Number</i>	<i>Qty.</i>	<i>Description</i>
1		1	Deck ASM W/Decals 60 ●	4	116-8283	1	Decal-Torque, Bolt
2	117-3848	2	Decal-Danger	6	109-6035	1	Decal-Routing, Belt
3	127-0326	1	Decal-Scalp, Anti	7	107-1619	1	Decal

● Not serviced separately

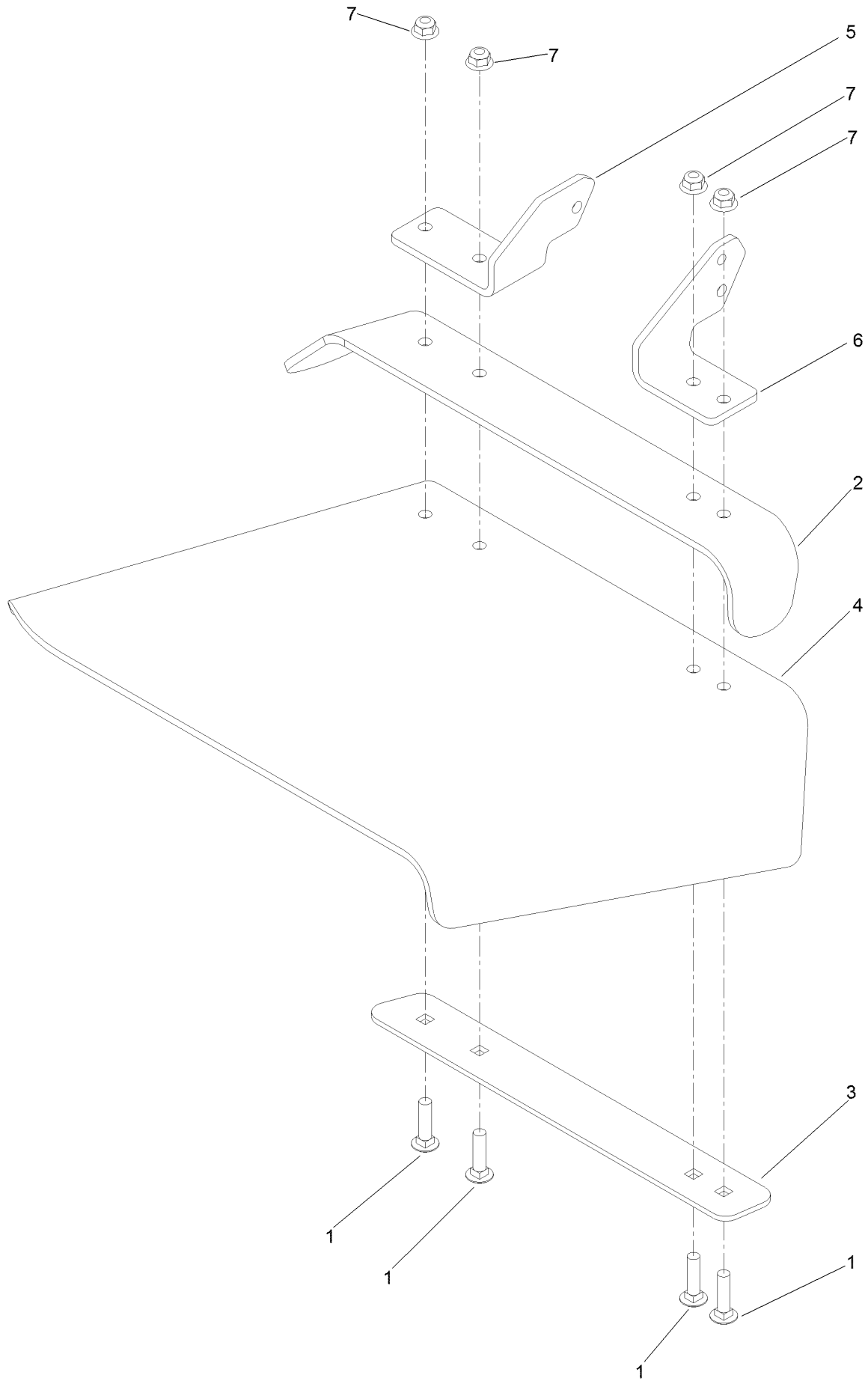
Spindle Assembly No. 137-9780



Spindle Assembly No. 137-9780 (continued)

<i>Ref.</i>	<i>Part Number</i>	<i>Qty.</i>	<i>Description</i>
2	116-0720	2	Bearing-Ball
3	138-6042	1	Spacer-Bearing

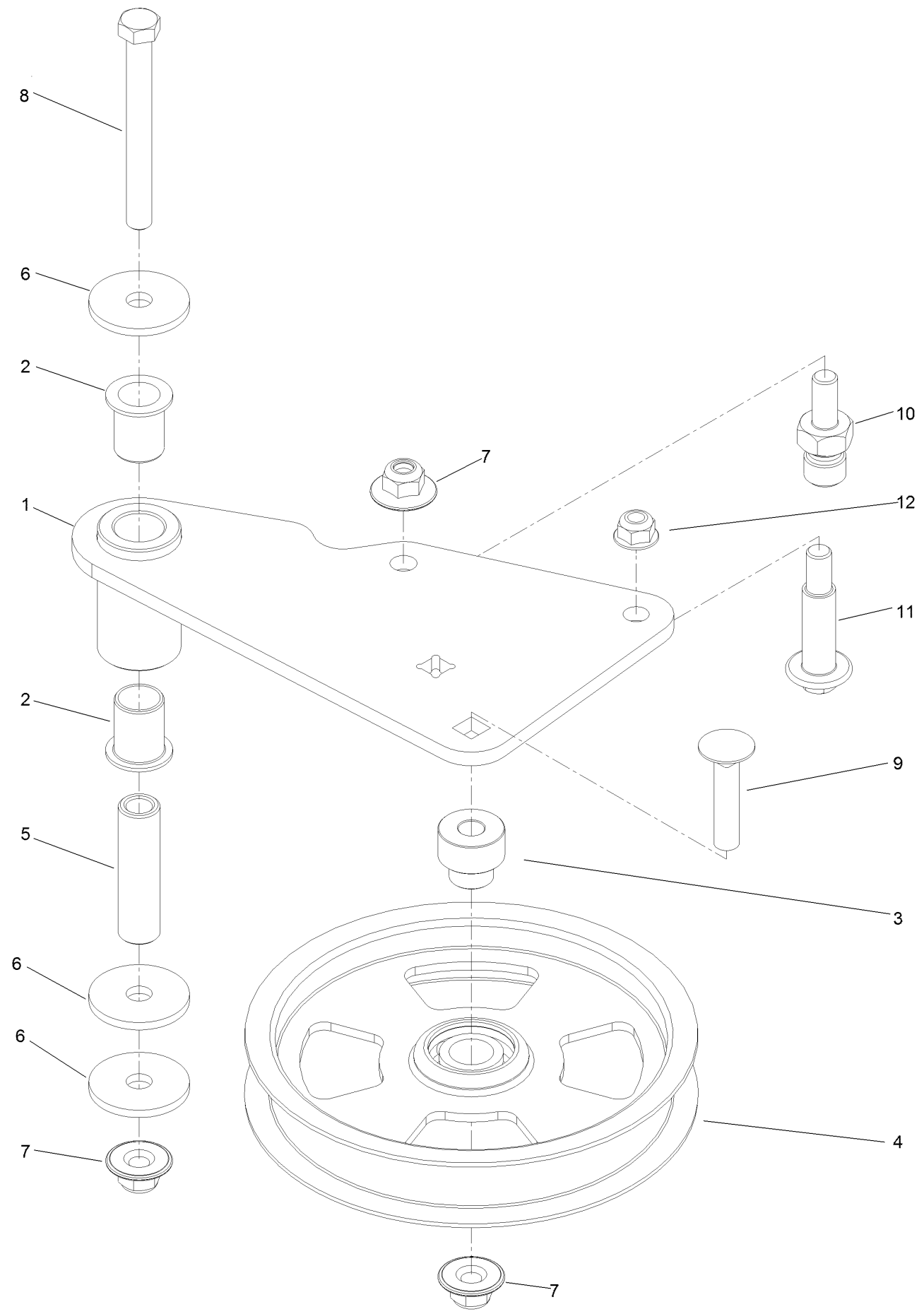
Deflector Assembly No. 144-2635



Deflector Assembly No. 144-2635 (continued)

<i>Ref.</i>	<i>Part Number</i>	<i>Qty.</i>	<i>Description</i>	<i>Ref.</i>	<i>Part Number</i>	<i>Qty.</i>	<i>Description</i>
1	3231-4	4	Screw-CARR	5	108-4059-01	1	Plate-Hinge, Rear
2	106-3246-01	1	Deflector	6	106-3253-01	1	Plate-Hinge, Front
3	106-3248-03	1	Strap-Discharge	7	104-8301	4	Nut-HF, NI
4	139-8114	1	Deflector-Deck, Rubber				

Idler Arm Assembly No. 139-1087



Idler Arm Assembly No. 139-1087 (continued)

<i>Ref.</i>	<i>Part Number</i>	<i>Qty.</i>	<i>Description</i>	<i>Ref.</i>	<i>Part Number</i>	<i>Qty.</i>	<i>Description</i>
1	139-1086	1	Idler Arm ASM	7	109-6658	3	Nut-Flange, NI
2	138-2573	2	Bushing-Flange	8	323-15	1	Screw-HH
3	139-8060	1	Bushing, Idler	9	3231-5	1	Screw-CARR
4	132-9424	1	Pulley-Idler, Flat	10	132-4729	1	Anchor-Spring, Short
5	139-6690	1	Bushing, Idler Pivot	11	136-9028	1	Bolt-Shoulder, HWH
6	1-213069	3	Washer	12	104-8301	1	Nut-HF, NI

Attachments and Accessories

For 74056TE 152cm Z Master 4000 Series Riding Mower

Product Name	Model/Part
Hypr-Oil 500 (quart)	114-4713
Hypr-Oil 500 (gallon).....	114-4714
Hypr-Oil 500-5 (5 gallon).....	114-4715
Striper Kit.....	126-7882
Jack Kit.....	127-6666
Blade-20.5 High Flow	140-1240
Blade-20.50 Atomic	140-1241
Blade-20.50 Medium Flow	140-4853
Blade-20.50, Low Flow	140-4854
Blade-20.50 Recycler	140-4855
6 Pack-Blade, 20.5 High Flow.....	140-4877
6 Pack-Blade, 20.5 Med Flow	140-4878
6 Pack-Blade, 20.5 Low Flow	140-4879
6 Pack-Blade, 20.5 Atomic.....	140-4880
6 Pack-Blade, 20.5 Recycler.....	140-4881
Recycler Kit-60".....	144-0388
Trimmer Mount	144-2665
Kit, Jack Mount	144-2676
60" Chute Gate Kit.....	144-6572
60 CE Compliance Kit [4000].....	145-1263
ASM-Wheel Bearings Axle 15x6.5-6.....	145-1919
Handle Extension Kit	145-3615
Spark Arrestor Screen	75-6880
Z 4000 Bagger Kit.....	78463
Z 4000 60in Completion Kit.....	78466

Notes:



Count on it.