



**Count on it.**

**Parts Catalog**

**Flex-Force Power System™ 60V  
MAX**

**43cm Lawn Mower**

Model No. 21843—Serial No. 321000001 and Up



# Ordering Replacement Parts

To order replacement parts, please supply the part number, the quantity, and the description of each part desired.

## Understanding Reference Numbers

Each identified part in an illustration has a reference number. The reference number for a part also appears in the parts list, along with other information about the part.

This catalog uses two special reference number formats, one to indicate parts in a service assembly and another to indicate the quantity of a given part in an illustration.

## Service Assembly Reference Numbers

Parts in service assemblies have reference numbers in the form a:b. The a represents the reference number of the entire service assembly and the b represents a sequential number unique to each part within the service assembly.

For example, a wheel assembly might be identified by reference number 6, the tire by 6:1, the valve by 6:2, and the wheel by 6:3. When you order the assembly identified by reference number 6, you receive all parts identified by reference numbers 6:1, 6:2, and 6:3. However, you may also order any part individually. Reference numbers of this type appear in illustration and in parts lists.

## Reference Numbers Indicating Quantity

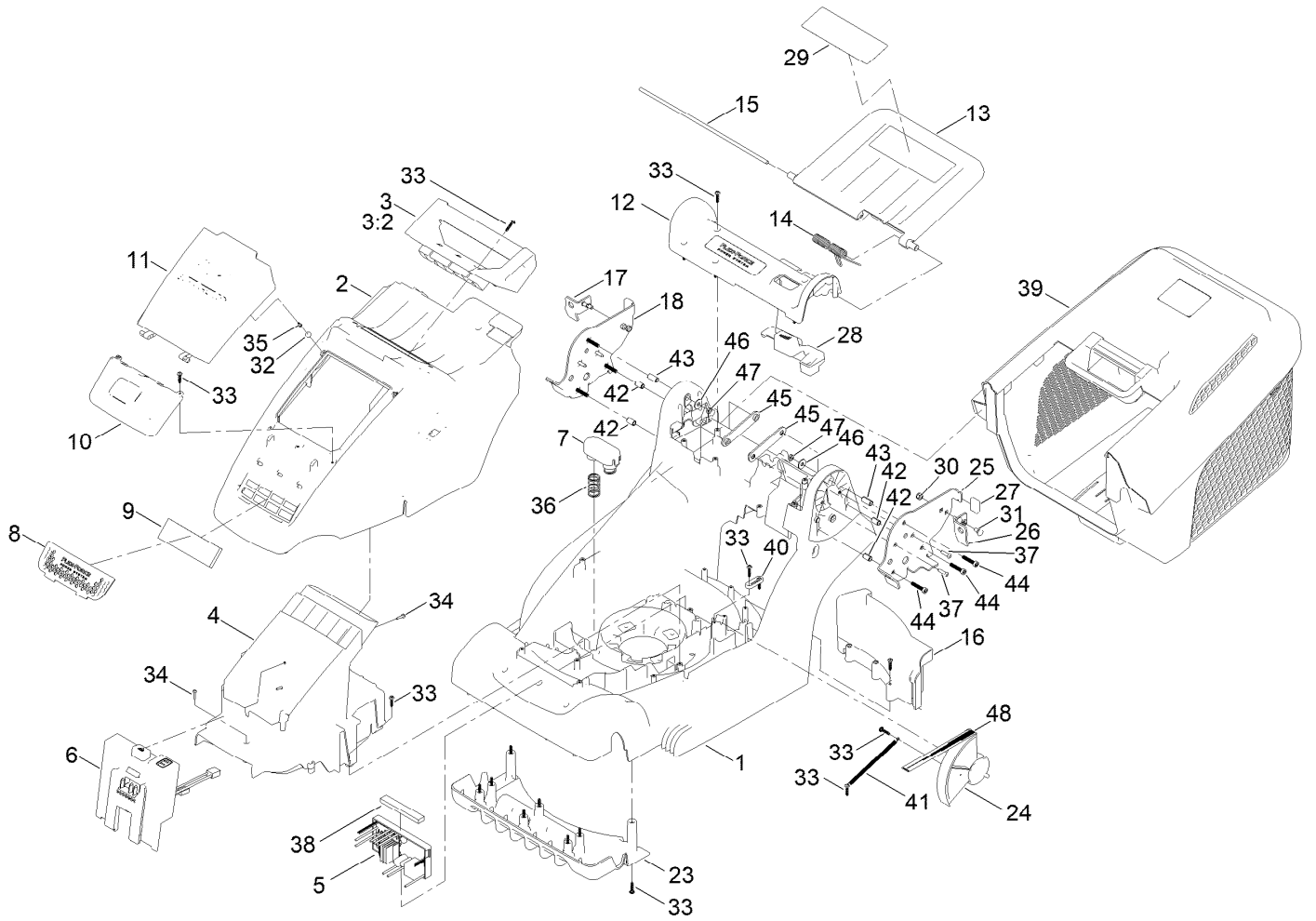
In an illustration, if a reference number indicates more than one part, the reference number has the form nX y. The n represents the quantity of the part, the X is the multiplication symbol, and the y represents the reference number.

For example, in an illustration, the reference number 2X 37 means that two of the parts identified by reference number 37 are indicated.

# Contents

Frame Assembly.....	4
Battery Interface Assembly No. 134-4105.....	6
Grass Box Assembly No. 134-6362.....	8
Motor, Battery and Blade Assembly.....	10
Traction and Height-of-Cut Assembly.....	12
Wheel Assembly No. 134-4363.....	14
Handlebar and Control Assembly.....	16
Control Arm Assembly No. 134-5359.....	18
Attachments and Accessories.....	20

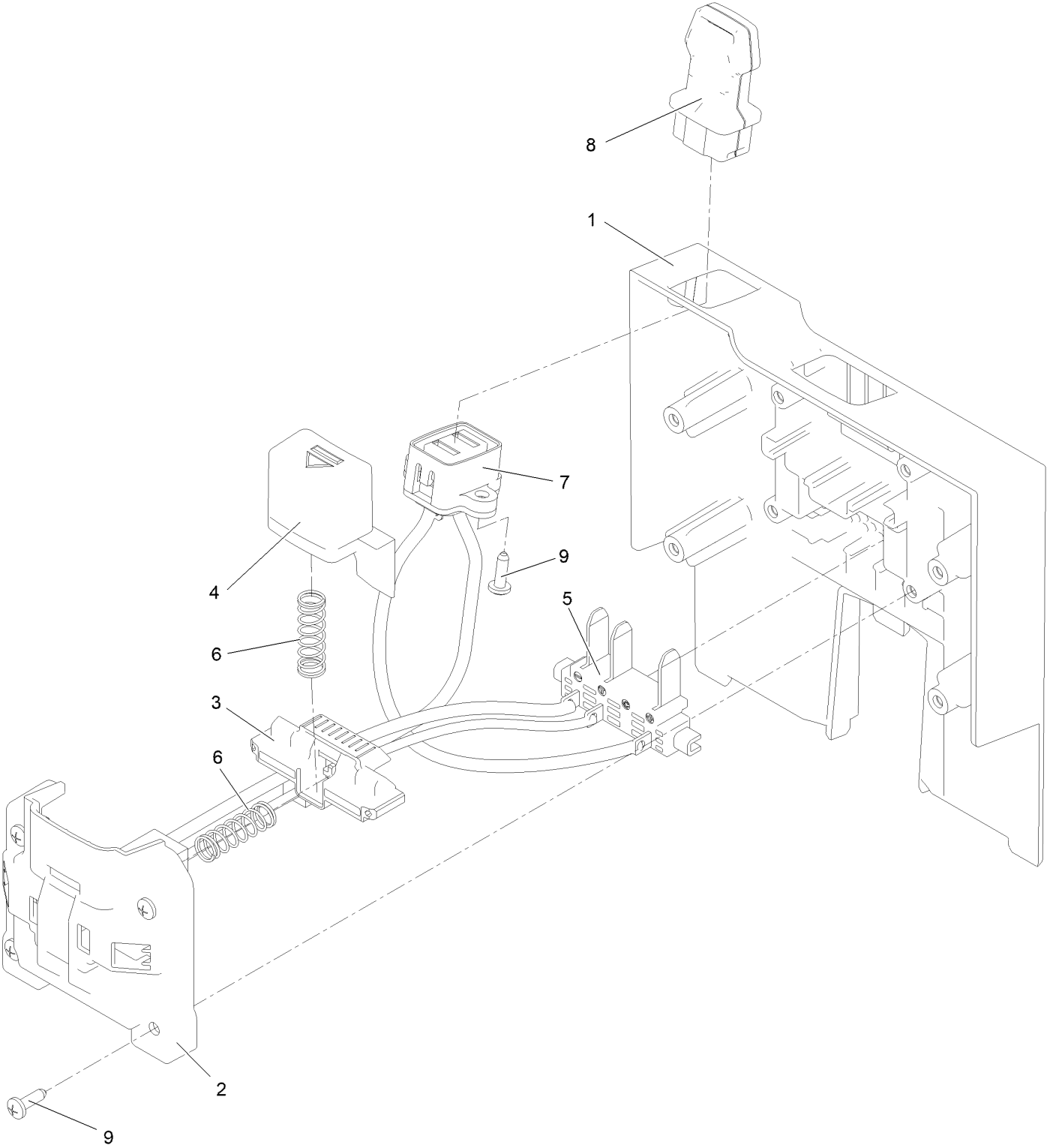
# Frame Assembly



## Frame Assembly (continued)

<i>Ref.</i>	<i>Part Number</i>	<i>Qty.</i>	<i>Description</i>	<i>Ref.</i>	<i>Part Number</i>	<i>Qty.</i>	<i>Description</i>
1	134-4441	1	Deck	26	134-5175	1	Bracket, V-Stow, Left
2	134-5303	1	Top Cover	27	134-4434	2	Rubber Foot-V-Stow
3	134-5312	1	Carry Handle ASM	28	134-5300	1	HOC Button
3:2	134-5411	1	Artwork - 43CM	29	134-4550	1	Decal-Safety, 60V
4	134-4450	1	Battery Holder	30	134-5234	4	Nut-Hex
5	134-4436	1	Driver-Motor, Push	31	134-5235	4	Bolt-Carriage
6	134-4105	1	Battery Interface Assembly	32	114-5896	2	Magnet
7	134-4372	1	Battery Spring Cover	33	134-7001	32	Screw-T
8	134-4322	1	Air Inlet Grill-Toro	34	111-9903	5	Screw
9	134-4341	1	Inner Filter-Foam	35	134-4375	2	Screw-Txph
10	134-5316	1	Battery Door Lower, Printed	36	134-4371	2	Spring, Battery Eject
11	134-5313	1	Battery Door, Printed	37	134-5431	10	Screw-T
12	134-4443	1	HOC Cover	38	134-5432	1	Filter, Air-Control Board
13	134-5302	1	Rear Deflector	39	134-6362	1	Grass Box ASM
14	134-4037	1	Spring, Rear Deflector	40	134-6367	1	Tab
15	134-4302	1	Rod, Rear Flap	41	134-6356	1	Spring
16	134-6352	1	Grass Shield (43)	42	134-6369	4	Bush
17	134-5177	1	Bracket, V-Stow, Right	43	134-6374	2	Bush
18	134-4398	1	Mount Plate, Handlebar, Right	44	134-6371	6	Screw-Tsh
23	134-4100	1	Front Fins	45	134-6370	2	Brace-Bar
24	134-4099	1	HOC Dial	46	134-5439	2	Washer-Plain
25	134-4396	1	Mount Plate, Handlebar, Left	47	134-6376	2	Nut-Hex
				48	134-6817	1	Decal - HOC (Toro 43CM)

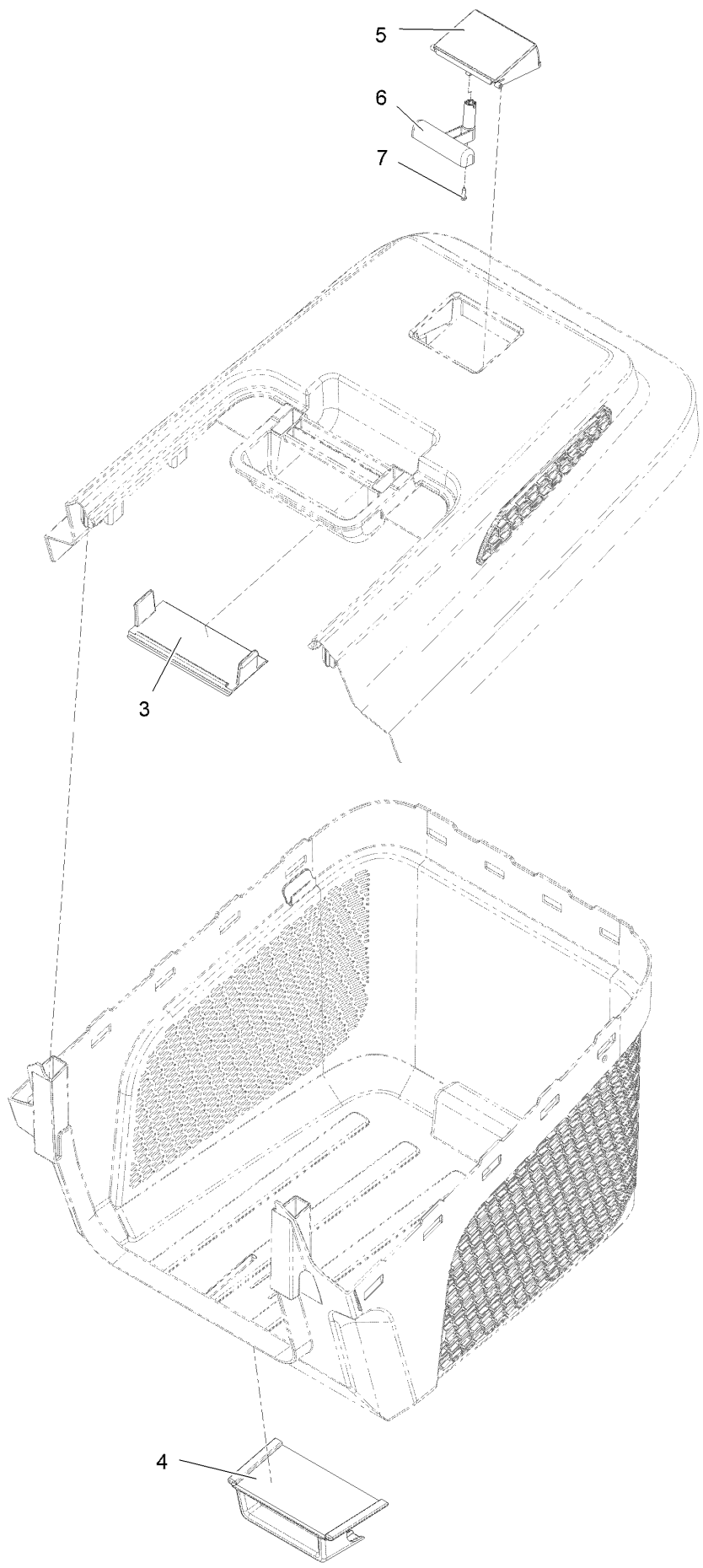
# Battery Interface Assembly No. 134-4105



# Battery Interface Assembly No. 134-4105 (continued)

<i>Ref.</i>	<i>Part Number</i>	<i>Qty.</i>	<i>Description</i>	<i>Ref.</i>	<i>Part Number</i>	<i>Qty.</i>	<i>Description</i>
1	134-4104	1	Battery Interface	6	134-5362	2	Spring, Battery Latch
2	134-4374	1	Battery Contact Cover	7	134-4386	1	Power Socket
3	134-5359	1	Latch, Battery	8	134-4385	1	Power Key
4	134-4373	1	Battery Button	9	134-5361	6	Screw-T
5	134-5360	1	Connection Terminal, Battery				

# Grass Box Assembly No. 134-6362

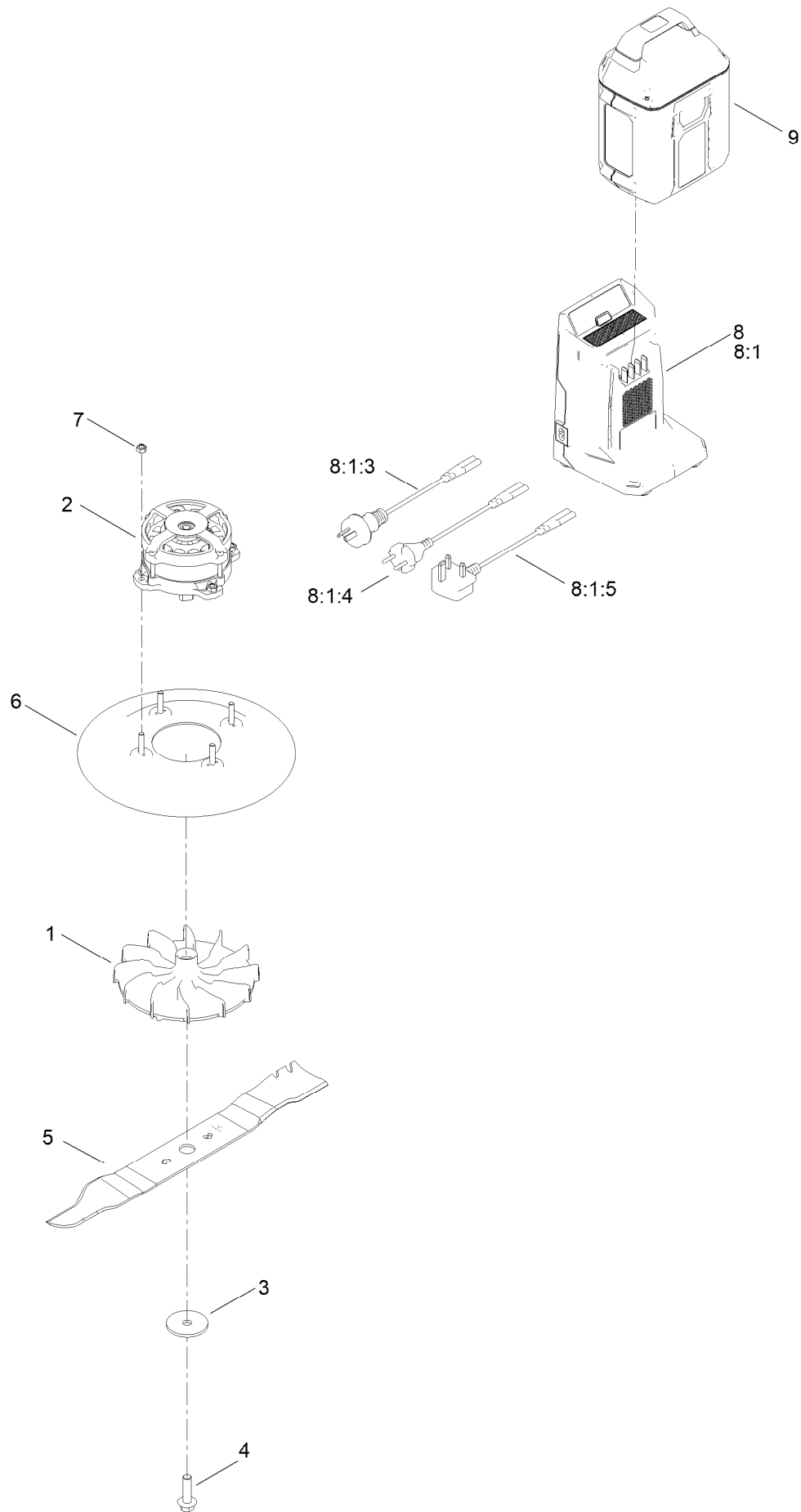




## Grass Box Assembly No. 134-6362 (continued)

<i>Ref.</i>	<i>Part Number</i>	<i>Qty.</i>	<i>Description</i>	<i>Ref.</i>	<i>Part Number</i>	<i>Qty.</i>	<i>Description</i>
3	134-4141	1	Grass Box Handle Infill	6	134-5430	1	Counter Weight
4	134-4388	1	Grass Box Hook	7	134-5435	1	Screw-T
5	134-4143	1	Grass Box Full Indicator				

# Motor, Battery and Blade Assembly

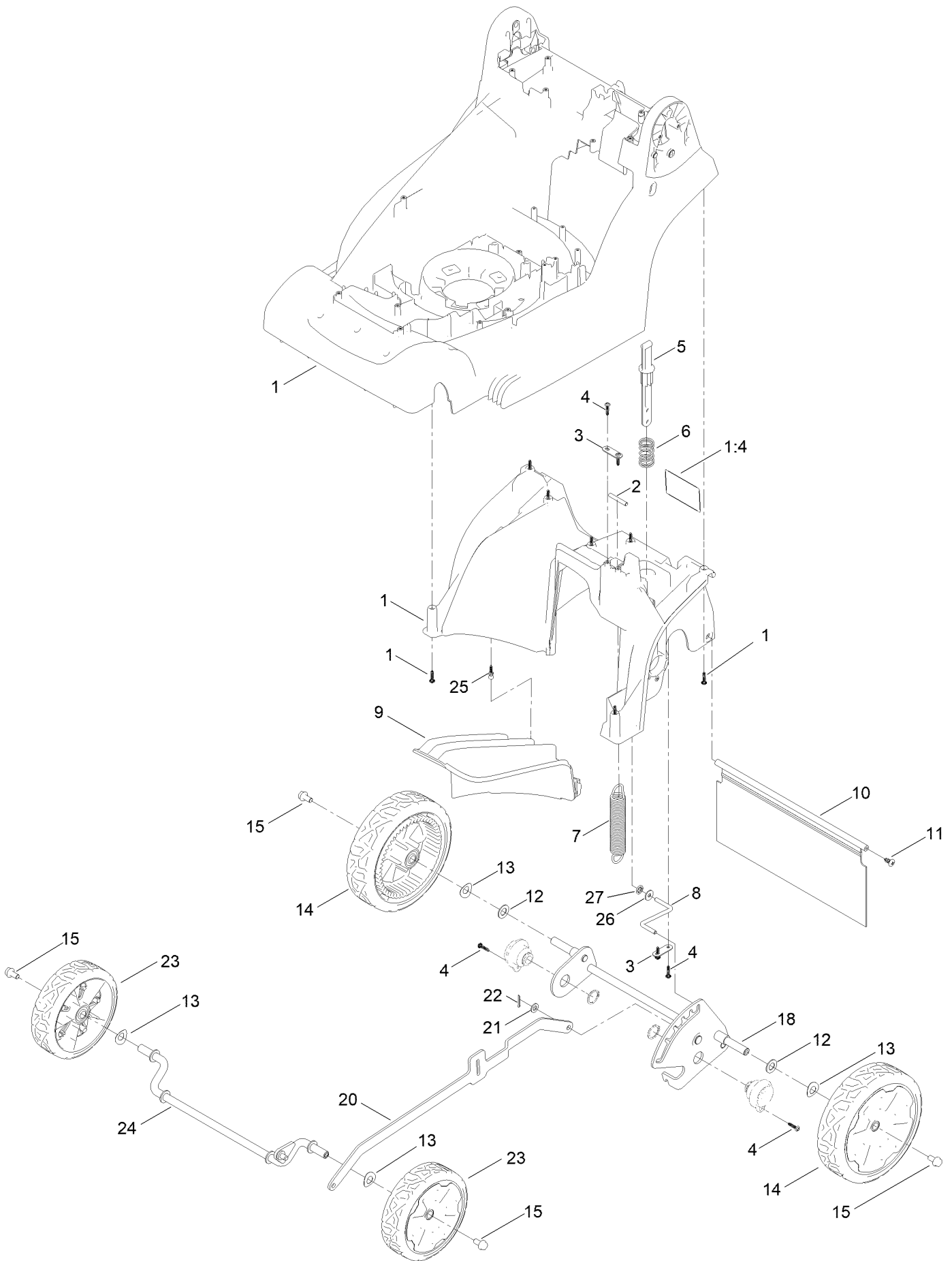


## Motor, Battery and Blade Assembly (continued)

<i>Ref.</i>	<i>Part Number</i>	<i>Qty.</i>	<i>Description</i>	<i>Ref.</i>	<i>Part Number</i>	<i>Qty.</i>	<i>Description</i>
1	134-4381	1	Blade Carrier	7	134-4467	4	Nut-Hex
2	134-4101	1	Motor, Brushless, 60V, 850W	8	139-8291	1	60V Charger CE
3	134-4382	1	Blade Washer	8:1		1	60V Charger 2 Amp ●
4	134-4383	1	Blade Bolt	8:1:3	140-2192	1	Cord-Charger, Au/Nz
5	134-5199	1	Blade, Mulch, 43CM	8:1:4	140-2193	1	Cord-Charger, CE
6	134-4024	1	Blade Cover	8:1:5	140-2194	1	Cord-Charger, Uk
				9	81850	1	60V 4.0 Ah Battery CE

● Not serviced separately

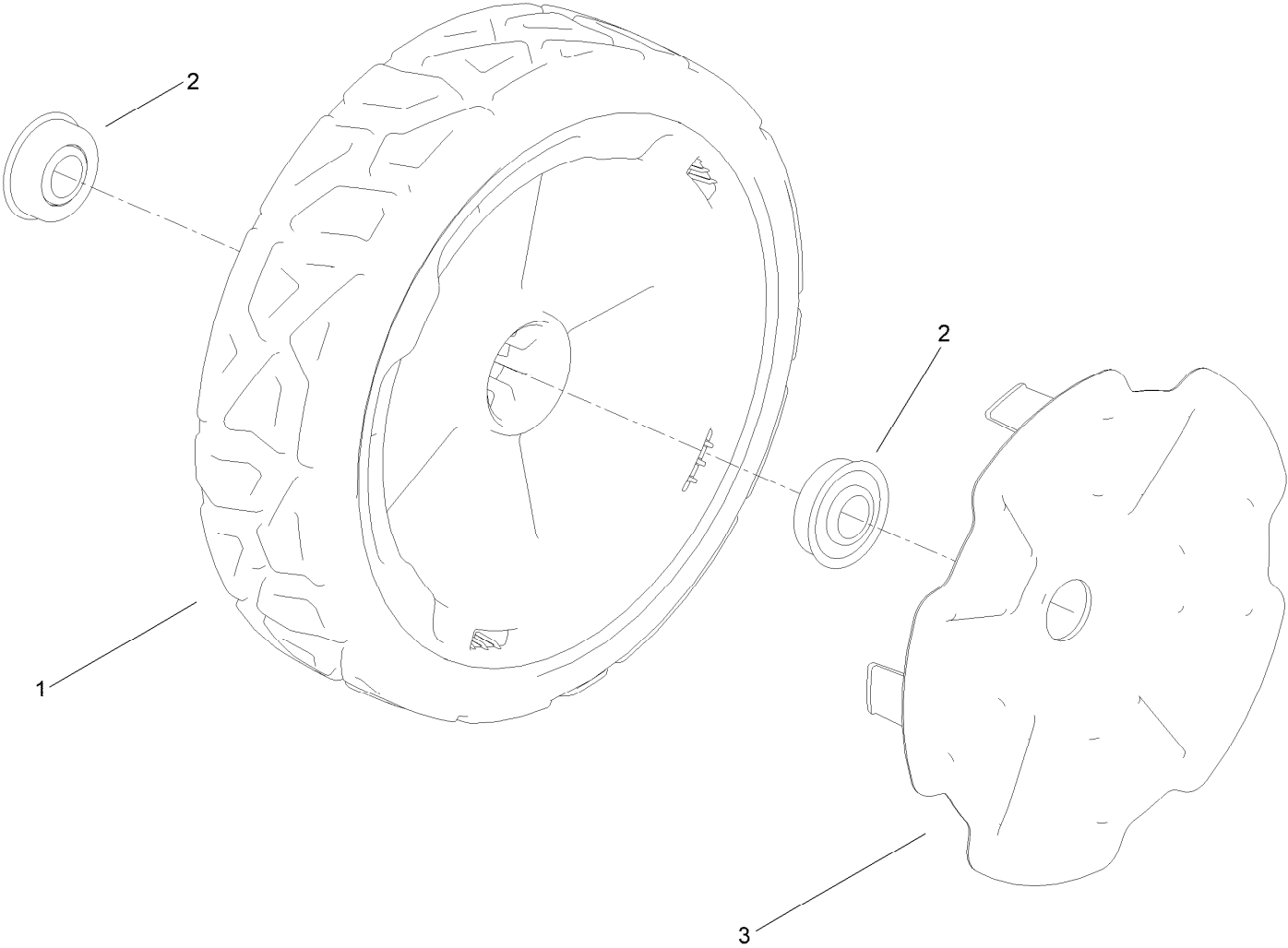
# Traction and Height-of-Cut Assembly



## Traction and Height-of-Cut Assembly (continued)

<i>Ref.</i>	<i>Part Number</i>	<i>Qty.</i>	<i>Description</i>	<i>Ref.</i>	<i>Part Number</i>	<i>Qty.</i>	<i>Description</i>
1	134-6914	1	Deck, Glued (43)	13	134-4457	4	Washer-Wave
1:4	134-5099	1	Decal - Safety	14	134-4363	2	Wheel-Rear Assembly
2	134-4096	1	Bar, Spring Mount	15	134-4358	4	Bolt-HF
3	134-4394	2	Axle Plate, Small	18	134-4050	1	Rear Axle Frame, Assy, Wheel
4	134-7001	2	Screw-T	20	134-4029	1	Con-Rod, 4 Wheel
5	134-4319	1	HOC Button Plunger	21	106-4756	2	Washer-Plain
6	134-4088	1	Spring, HOC Button	22	134-4454	2	Cotter Pin
7	134-4092	1	HOC Spring, 4 Wheel	23	134-4307	2	Wheel-Toro Front Assembly
8	134-4321	1	HOC Wire	24	134-4312	1	Front Axle, Assembly
9	134-5295	1	Mulch Plug	25	134-5294	2	Pin, Retaining, Mulch Plug
10	134-4437	1	Shield-Trailing	26	134-5439	1	Washer-Plain
11	117-1092	2	Screw-PTH	27	134-5440	1	Washer
12	ZWP1L000U	4	Washer-Plain				

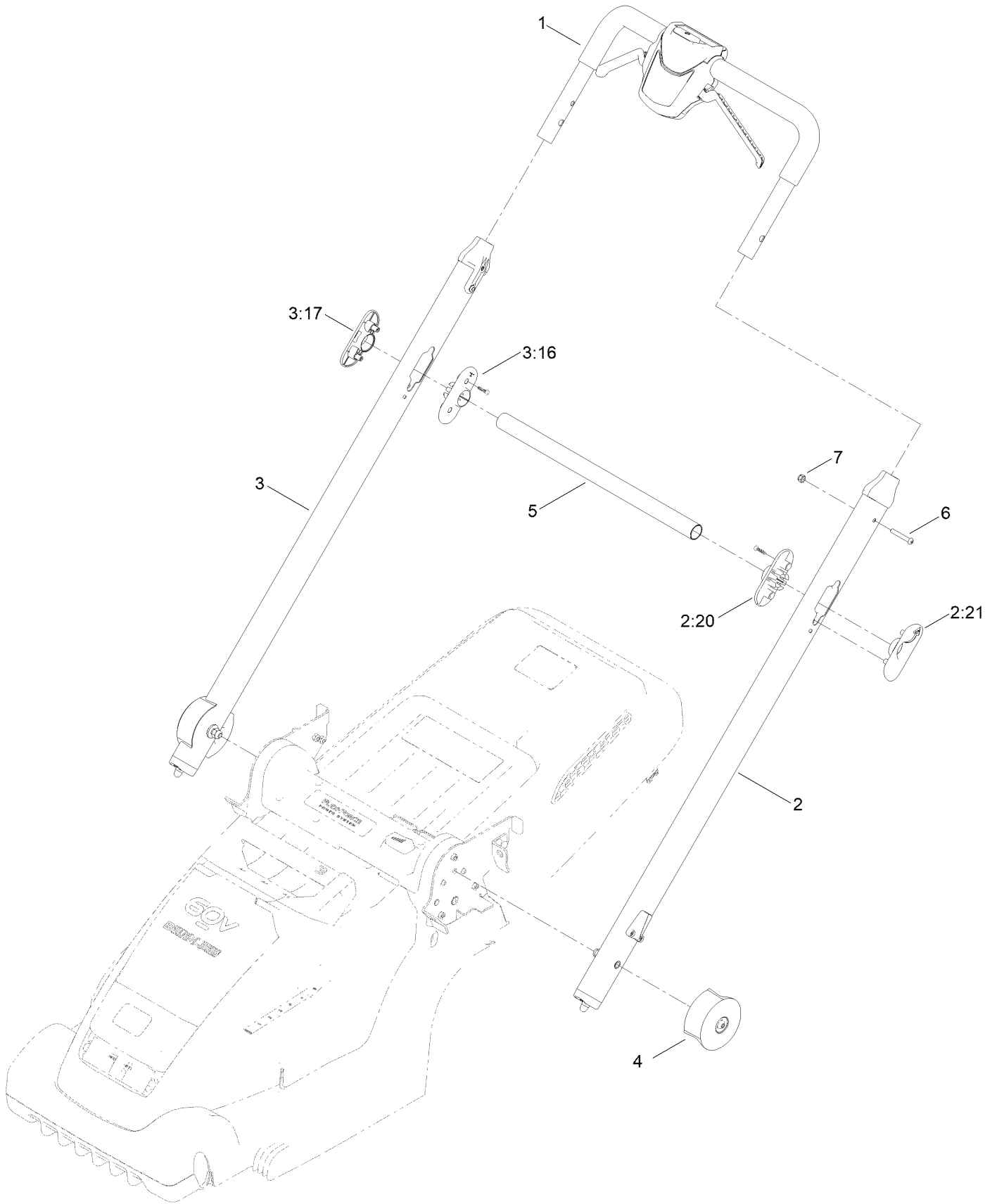
# Wheel Assembly No. 134-4363



## Wheel Assembly No. 134-4363 (continued)

<i>Ref.</i>	<i>Part Number</i>	<i>Qty.</i>	<i>Description</i>
1	134-4404	1	Wheel-Toro Rear
2	134-4377	2	Bearing
3	134-4366	1	Rear Wheel Trim - Toro

# Handlebar and Control Assembly

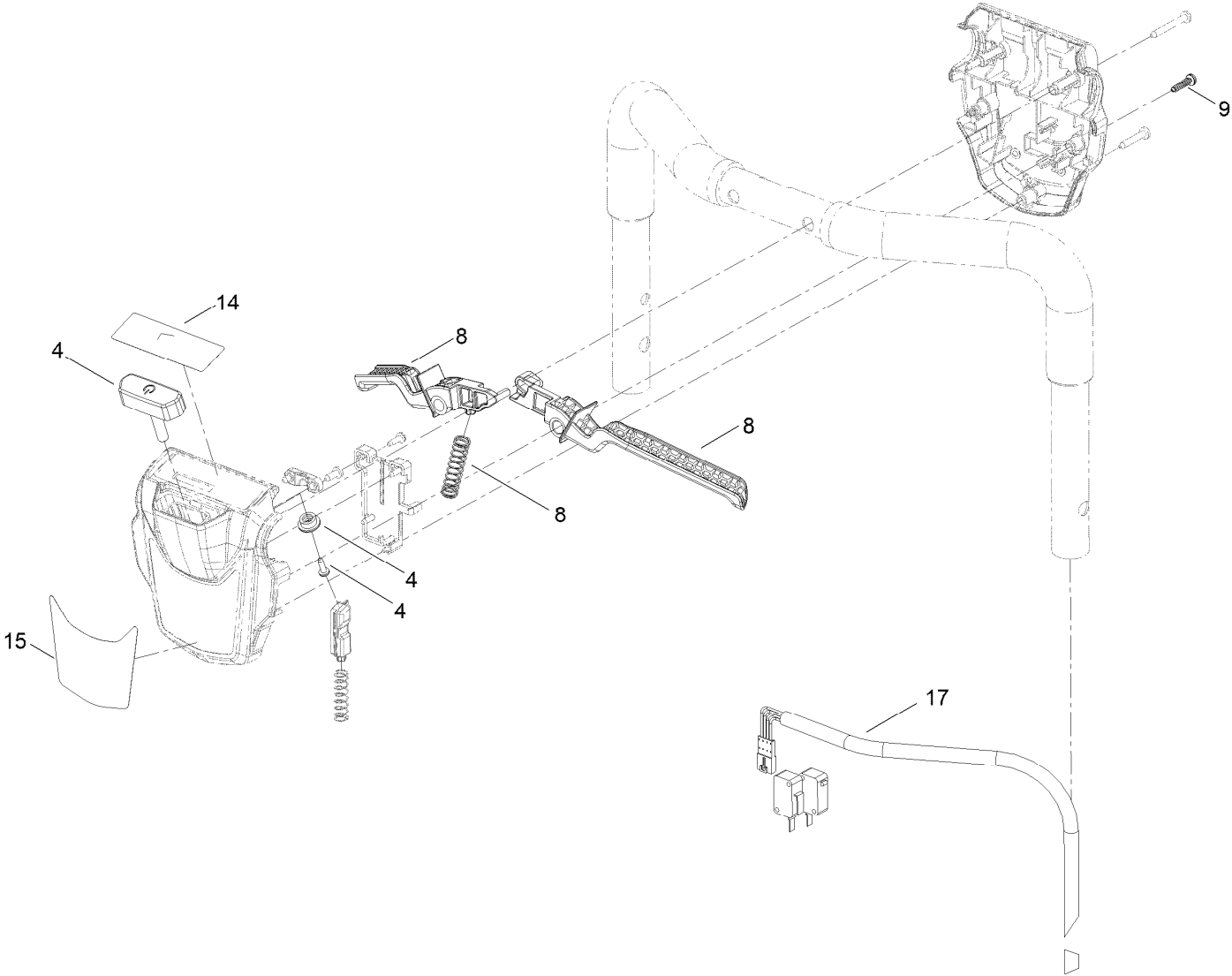




## Handlebar and Control Assembly (continued)

<i>Ref.</i>	<i>Part Number</i>	<i>Qty.</i>	<i>Description</i>	<i>Ref.</i>	<i>Part Number</i>	<i>Qty.</i>	<i>Description</i>
1	134-6359	1	Control Lever ASM, Push	3:17	134-5309	1	Handlebar Brace, Outer
2	134-6353	1	Handlebar ASM, LH	4	134-4416	2	Handlebar End Cap
2:20	134-5308	1	Handlebar Brace - Inner	5	134-4458	1	Brace, Handlebar Release
2:21	134-5309	1	Handlebar Brace, Outer	6	134-5206	2	Bolt-P
3	134-6354	1	Handlebar ASM, RH	7	134-5207	2	Nut, M6, Nyloc
3:16	134-5308	1	Handlebar Brace - Inner				

# Control Arm Assembly No. 134-5359



## Control Arm Assembly No. 134-5359 (continued)

<i>Ref.</i>	<i>Part Number</i>	<i>Qty.</i>	<i>Description</i>	<i>Ref.</i>	<i>Part Number</i>	<i>Qty.</i>	<i>Description</i>
4	134-6903	1	Top Button Kit	14	134-5297	1	Decal - Boost Key Mat
8	134-6905	1	Upper Lever Kit (36)	15	134-2697	1	Decal - Volta Handle
9	134-5205	2	Screw-T	17	134-5455	1	Wiring Loom, Push

# Attachments and Accessories

## For 21843 Flex-Force Power System 60V MAX 43cm Lawn Mower

<b>Product Name</b>	<b>Model/Part</b>
60V 2.5AH BATTERY CE HAYTER .....	CODE102A
60V 4.0AH BATTERY CE HAYTER .....	CODE104A
60V 6.0AH BATTERY CE HAYTER .....	CODE106A
60V 7.5AH BATTERY CE HAYTER .....	CODE107A
60V BATTERY CHARGER 2 AMP CE HAYTER .....	CODE120A
60V FAST CHARGER, CE HAYTER .....	CODE121A

**Notes:**

**Notes:**

**Notes:**



**Count on it.**