



**Count on it.**

**Parts Catalog**

**55cm Recycler<sup>®</sup> Lawn Mower  
with SmartStow<sup>®</sup>**

Model No. 21770—Serial No. 411913204 and Up



# Ordering Replacement Parts

To order replacement parts, please supply the part number, the quantity, and the description of each part desired.

## Understanding Reference Numbers

Each identified part in an illustration has a reference number. The reference number for a part also appears in the parts list, along with other information about the part.

This catalog uses two special reference number formats, one to indicate parts in a service assembly and another to indicate the quantity of a given part in an illustration.

## Service Assembly Reference Numbers

Parts in service assemblies have reference numbers in the form a:b. The a represents the reference number of the entire service assembly and the b represents a sequential number unique to each part within the service assembly.

For example, a wheel assembly might be identified by reference number 6, the tire by 6:1, the valve by 6:2, and the wheel by 6:3. When you order the assembly identified by reference number 6, you receive all parts identified by reference numbers 6:1, 6:2, and 6:3. However, you may also order any part individually. Reference numbers of this type appear in illustration and in parts lists.

## Reference Numbers Indicating Quantity

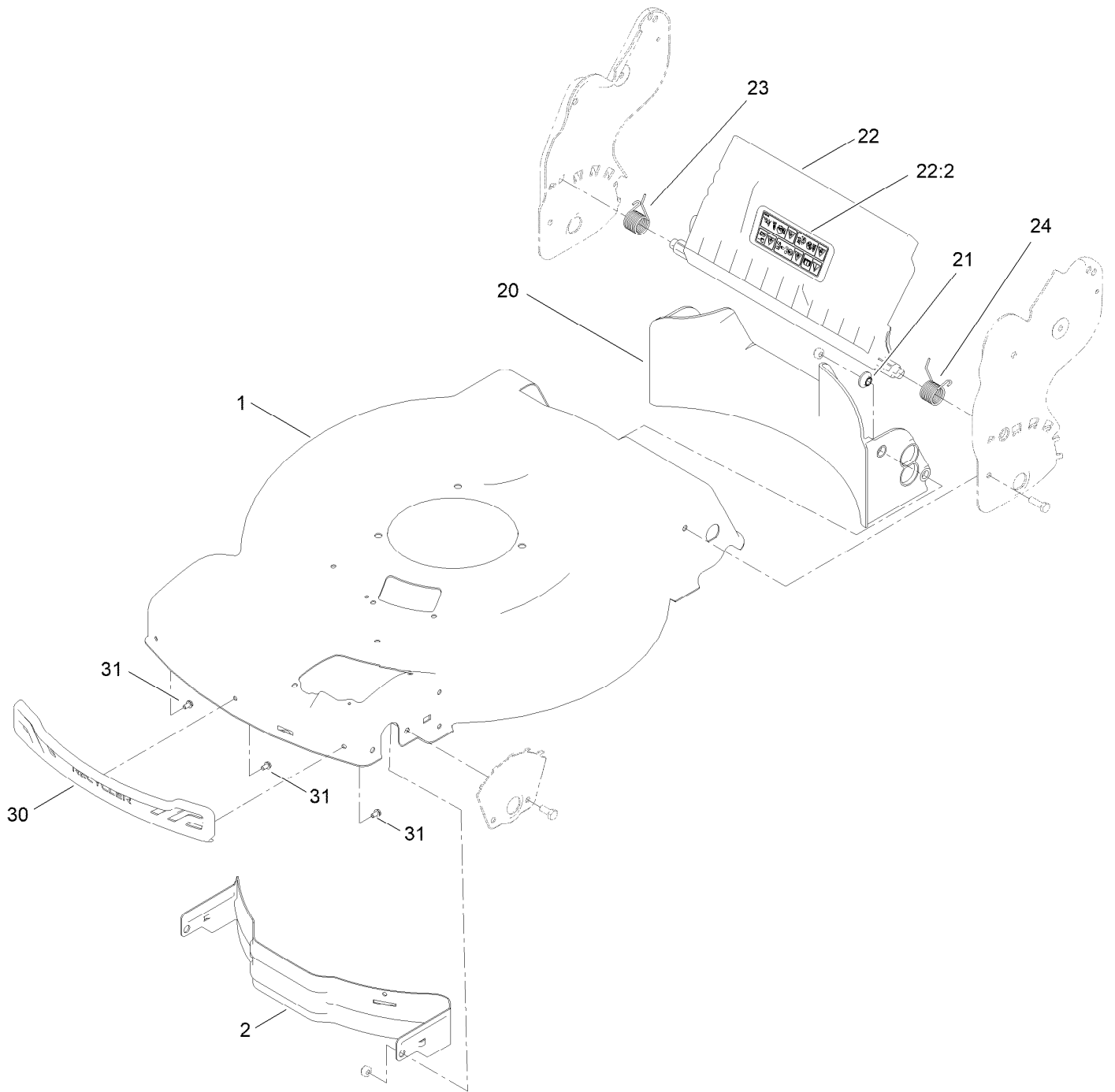
In an illustration, if a reference number indicates more than one part, the reference number has the form nX y. The n represents the quantity of the part, the X is the multiplication symbol, and the y represents the reference number.

For example, in an illustration, the reference number 2X 37 means that two of the parts identified by reference number 37 are indicated.

# Contents

Frame Assembly . . . . .	4
Rear Bag Assembly . . . . .	6
Deck Decal Assembly . . . . .	8
Engine and Blade Assembly . . . . .	10
Front Wheel and Height-of-Cut Assembly . . . . .	12
Rear Wheel and Height-of-Cut Assembly . . . . .	14
Handle Assembly . . . . .	16
Attachments and Accessories . . . . .	18

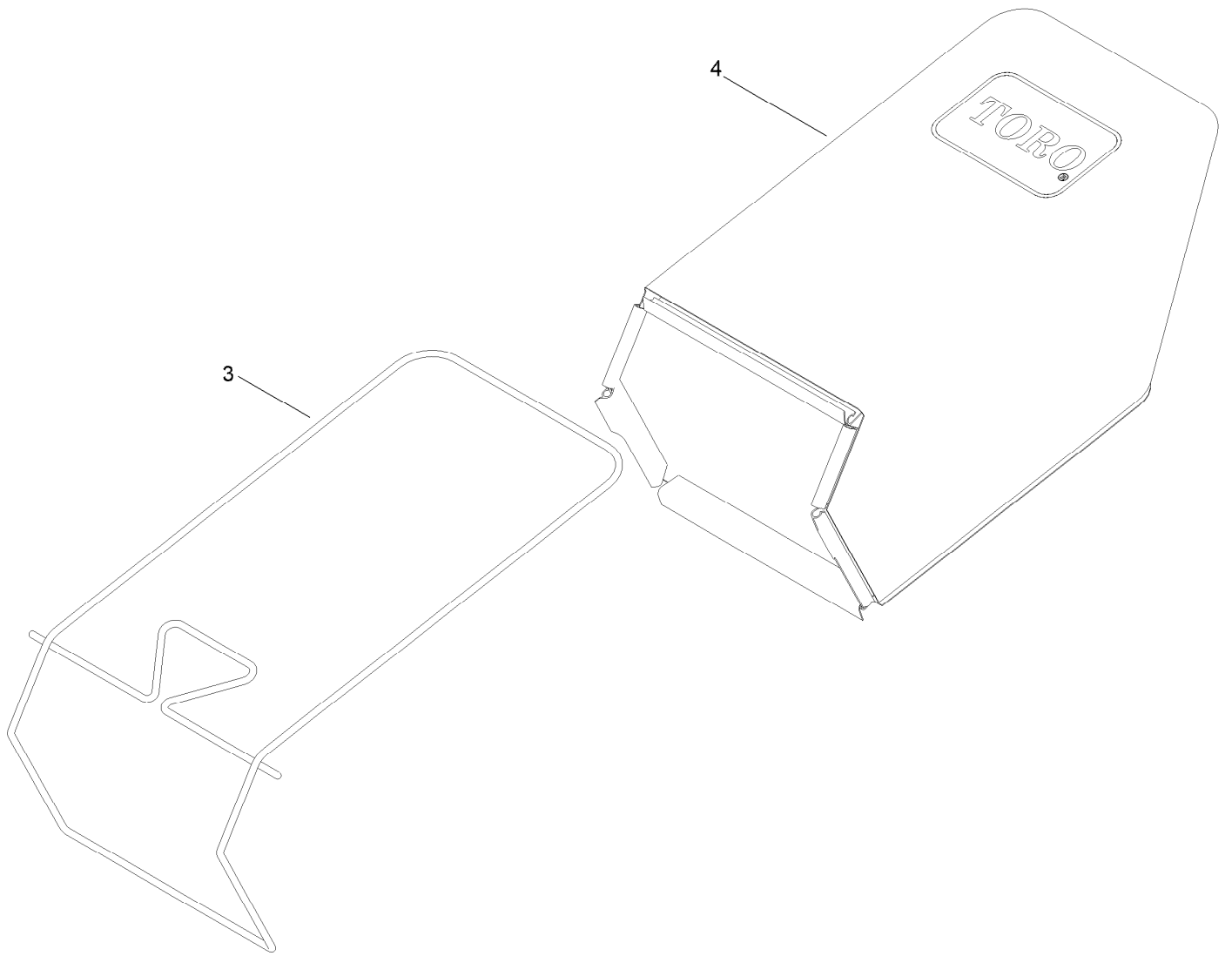
# Frame Assembly



## Frame Assembly (continued)

<i>Ref.</i>	<i>Part Number</i>	<i>Qty.</i>	<i>Description</i>	<i>Ref.</i>	<i>Part Number</i>	<i>Qty.</i>	<i>Description</i>
1	144-3191	1	Housing ASM	22:2	131-4514	1	Decal-Warning
2	115-4667-01	1	Baffle-Front	23	140-4197	1	Spring-Torsion
20	140-3906	1	Baffle-Rear, Fwd	24	140-4198	1	Spring-Torsion
21	117-5991	2	Washer-Stepped, Baffle	30	139-5457	1	Bumper-Front
22	136-7003	1	Rear Deflector ASM	31	139-5467	3	Screw-Plastic, HWH

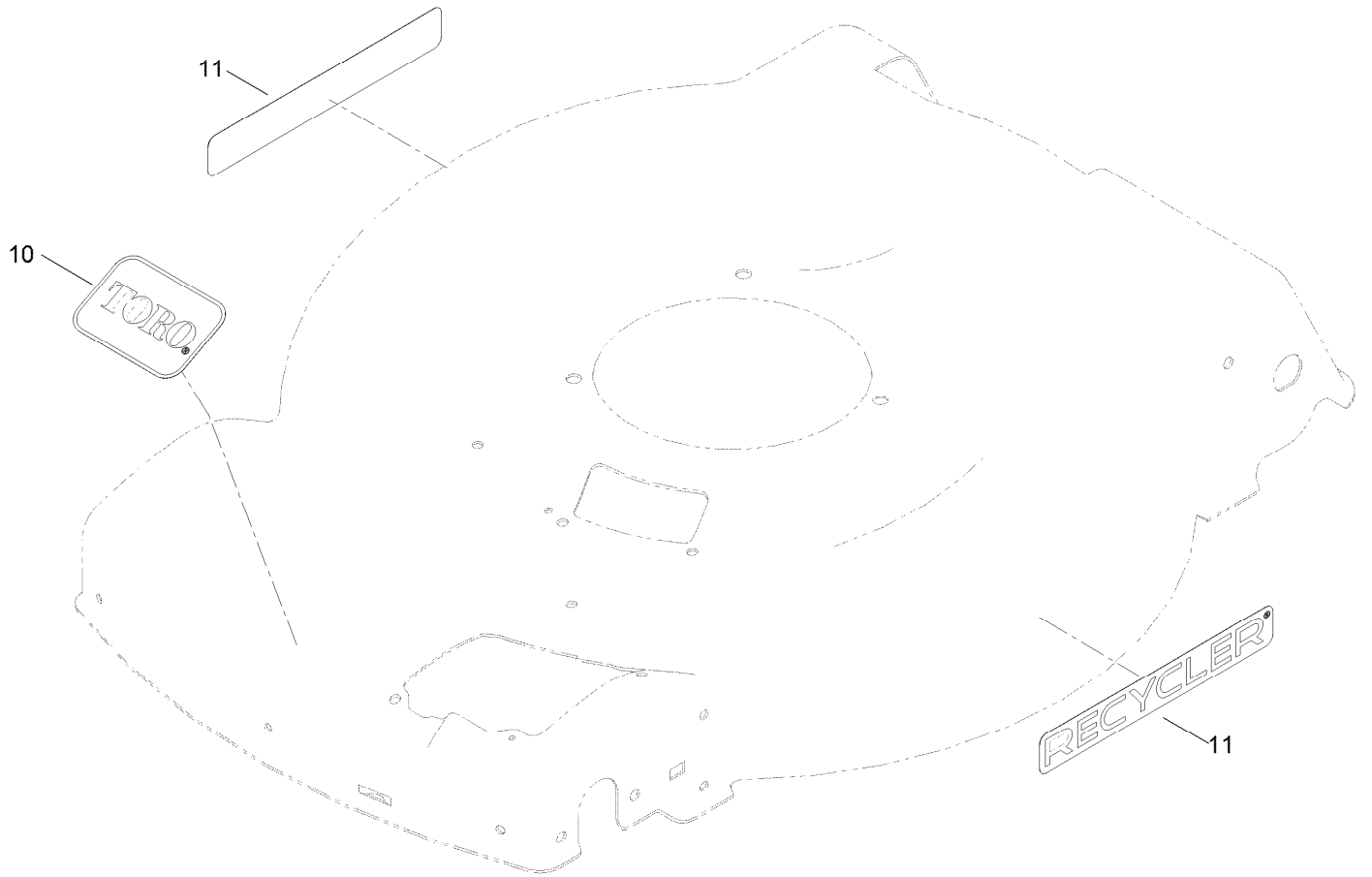
# Rear Bag Assembly



## Rear Bag Assembly (continued)

<i>Ref.</i>	<i>Part Number</i>	<i>Qty.</i>	<i>Description</i>
3	140-3931-03	1	Bag Frame ASM (Welded)
4	140-3933	1	Grass Bag ASM

# Deck Decal Assembly

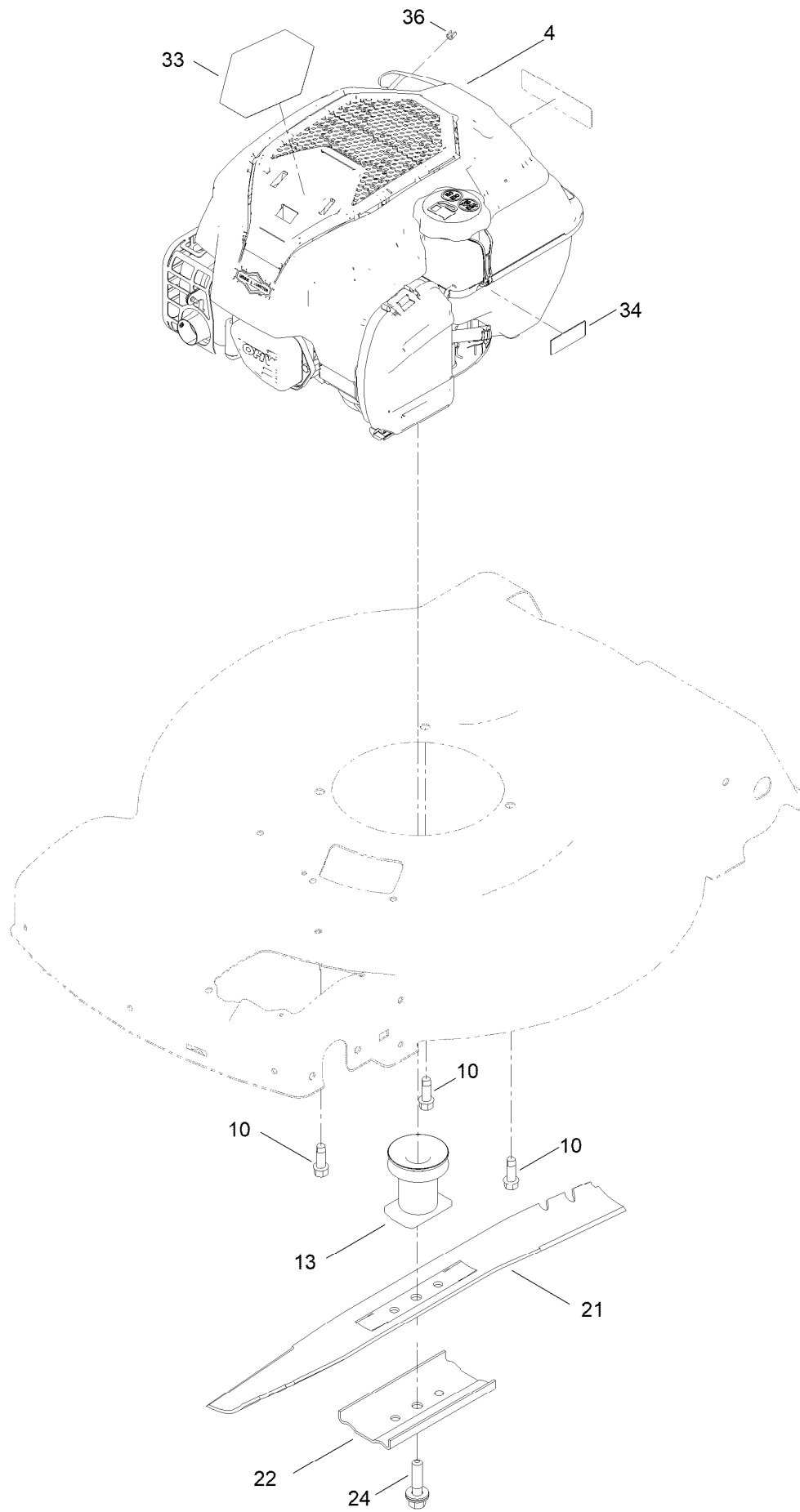




## Deck Decal Assembly (continued)

<i>Ref.</i>	<i>Part Number</i>	<i>Qty.</i>	<i>Description</i>
10	140-4183	1	Decal
11	140-4184	2	Decal

# Engine and Blade Assembly



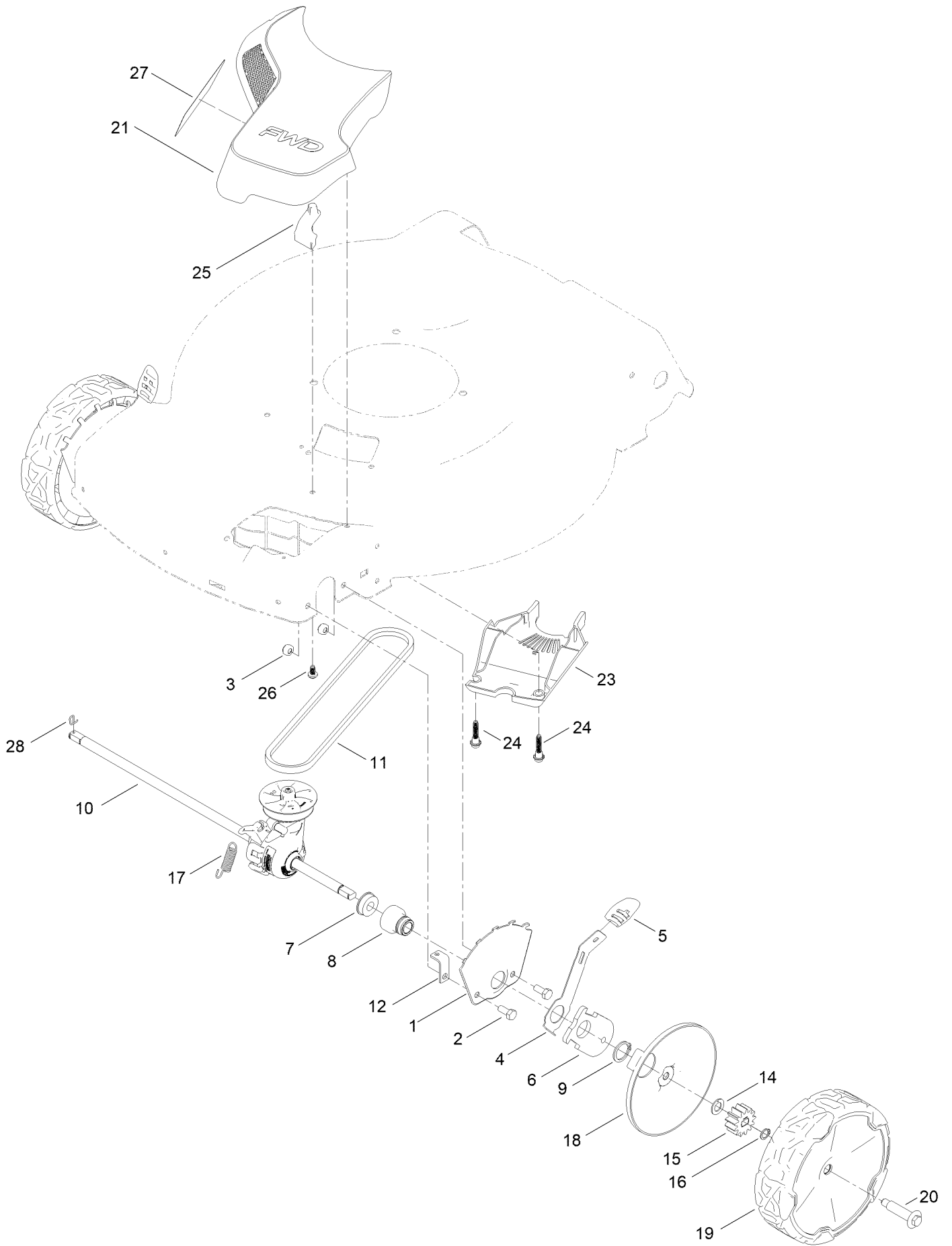
## Engine and Blade Assembly (continued)

<i>Ref.</i>	<i>Part Number</i>	<i>Qty.</i>	<i>Description</i>	<i>Ref.</i>	<i>Part Number</i>	<i>Qty.</i>	<i>Description</i>
4		1	Engine-Briggs,104M020130F1 ●■	22	108-3766-03	1	Support-Blade
10	95-1726	3	Screw-Taptite	24	125-2466	1	Bolt-Blade
13	140-3975	1	Driver-Blade	33	145-1458	1	Decal - Briggs 675 Exi SS
21	131-9683-03	1	Blade	34	133-8198	1	Decal-Level, Fuel
				36	2210-316	1	Stop-Rope

● Not serviced separately

■ Obtain parts from [www.briggsandstratton.com](http://www.briggsandstratton.com)

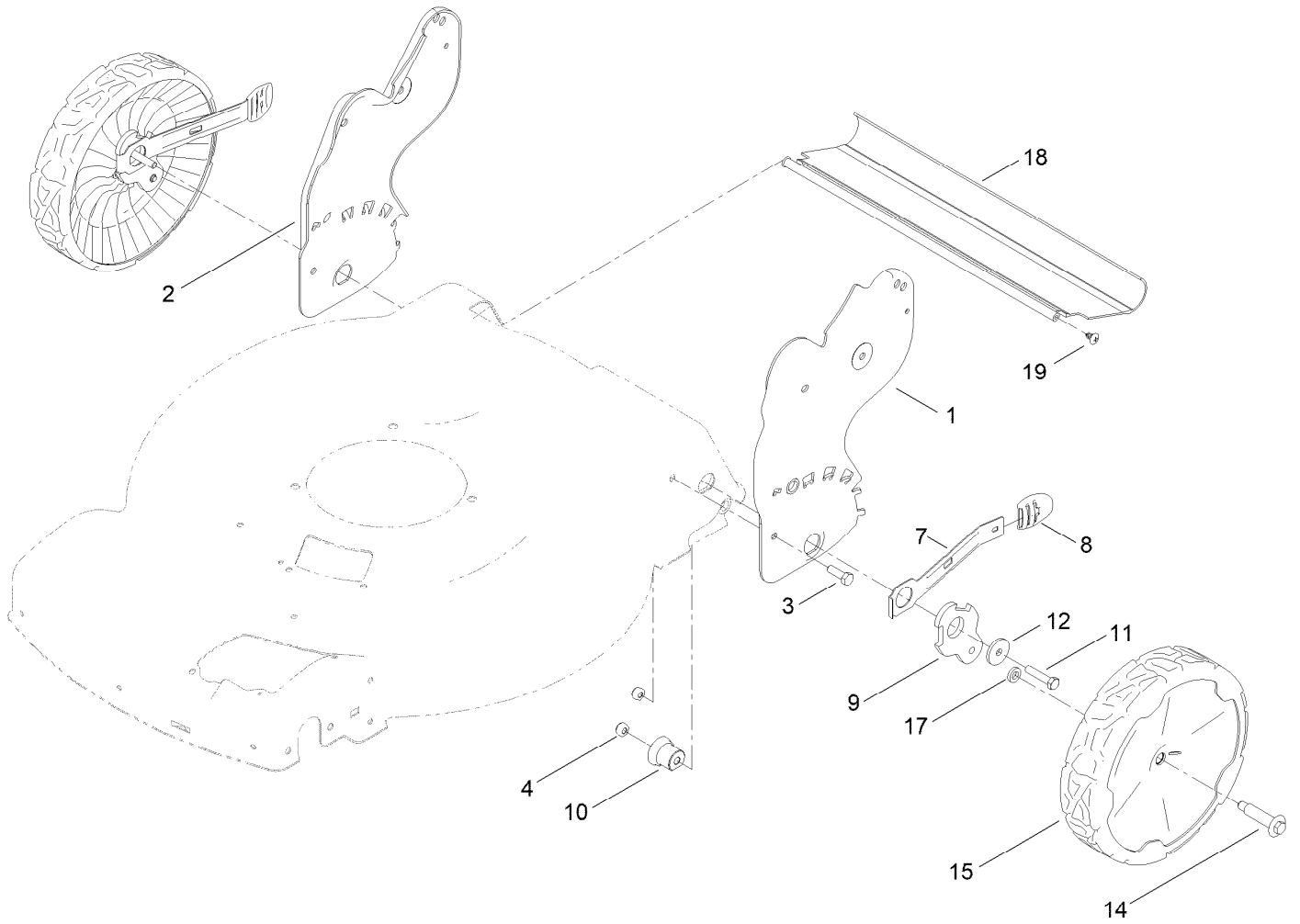
# Front Wheel and Height-of-Cut Assembly



## Front Wheel and Height-of-Cut Assembly (continued)

<i>Ref.</i>	<i>Part Number</i>	<i>Qty.</i>	<i>Description</i>	<i>Ref.</i>	<i>Part Number</i>	<i>Qty.</i>	<i>Description</i>
1	115-1956-05	2	Plate-HOC,Front Fsvq	16	32151-61	1	Ring-Retaining
2	137-3052	4	Screw-HH	17	145-3863	1	Spring-Extension
3	119-4038	4	Nut-Hex	18	140-2364	2	ASM-Cover, Wheel (Dk Gray)
4	105-1809	2	Arm-Spring	19	140-2358	2	ASM-8" Wheel, Fwd (Bushings)
5	105-3042	2	Knob-Lever, HOC	20	145-3899	2	Wheel Bolt
6	137-9128	2	Arm-Pivot, Front	21	144-0215	1	ASM-Intake, Fwd
7	104-8699	2	Bearing-Ball	23	140-2389	1	Cover-Belt, Lower (Awd)
8	131-0836	2	Retainer-Bearing, HOC	24	131-0837	2	Screw-Shoulder, HHF
9	32151-36	2	Ring-Retaining	25	144-6371	1	Pad-Stop
10	139-6562	1	Transmission-Fwd	26	139-1679	1	Screw-Plastic,PH
11	117-1018	1	V-Belt	27	145-1488	1	Decal-Vortex Awd
12	144-6392	1	Tab-Mount, Cable	28	130-2369	1	Pin-Snap
14	110-7191	2	Washer-Thrust				
15	131-0896	2	Gear-Pinion, 13T				

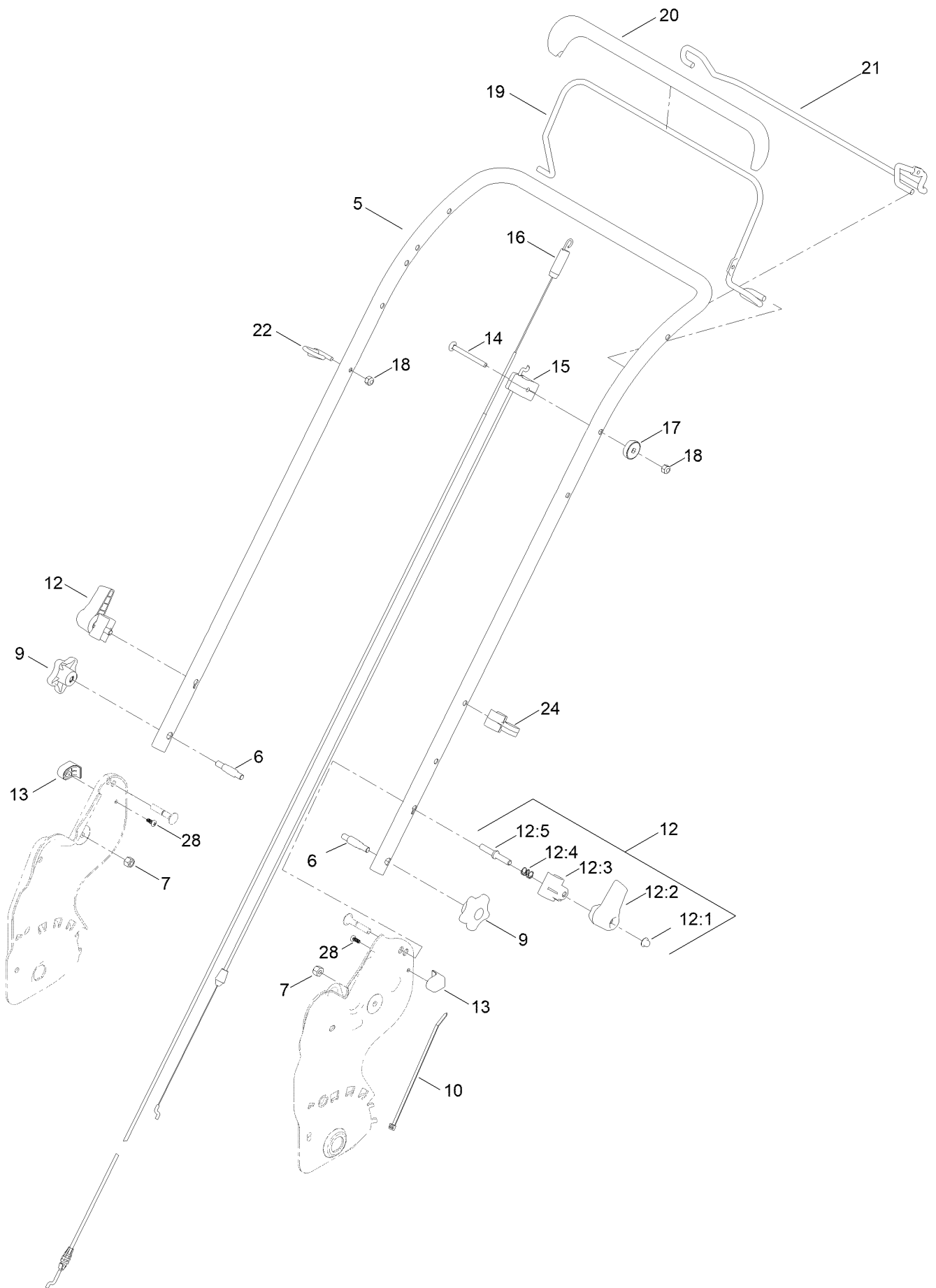
# Rear Wheel and Height-of-Cut Assembly



## Rear Wheel and Height-of-Cut Assembly (continued)

<i>Ref.</i>	<i>Part Number</i>	<i>Qty.</i>	<i>Description</i>	<i>Ref.</i>	<i>Part Number</i>	<i>Qty.</i>	<i>Description</i>
1	140-3910-05	1	Plate-HOC, Fwd LH [blk-Txt]	10	131-0895	2	Bushing-Mount, HOC
2	140-3911-05	1	Plate-HOC, Fwd RH [blk-Txt]	11	120-2779	2	Screw-HH
3	139-1716	2	Screw-HH	12	139-1704	2	Washer-Flat
4	119-4038	4	Nut-Hex	14	145-3899	2	Wheel Bolt
7	115-2899	2	Arm-Spring, Rear	15	140-2351	2	ASM-9.65" Wheel, Bushings
8	105-3042	2	Knob-Lever, HOC	17	139-5449	2	Washer-Wheel Bolt
9	140-3878	2	Arm-Pivot, Rear	18	144-6431	1	Shield-Trailing
				19	139-1692	2	Screw-Thd

# Handle Assembly





## Handle Assembly (continued)

<i>Ref.</i>	<i>Part Number</i>	<i>Qty.</i>	<i>Description</i>	<i>Ref.</i>	<i>Part Number</i>	<i>Qty.</i>	<i>Description</i>
5	144-6516-05	1	Handle-Curved	14	144-0221	1	Screw-CARR
6	139-6588	2	Bolt-Shoulder, Handle	15	140-3948	1	Cable-Brake, Fwd
7	119-4038	2	Nut-Hex	16	140-3947	1	Cable-Traction, Fwd
9	117-5976	2	Knob-Handle	17	136-9075	1	Washer-Curved
10	614249	1	Tie-Cable	18	137-3094	2	Nut-Hex
12	138-3249	2	Quick Release ASM	19	140-3918-03	1	Bail-Brake
12:1	140-4157	1	Nut-Push	20	140-3879	1	Cover-Bail
12:2	138-3248	1	Lever-Release	21	140-4024-03	1	Bail-Traction
12:3	138-3253	1	Anchor-Spring	22	86-9671	1	Guide-Rope
12:4	115-2858	1	Spring-Compression	24	114-7988	1	Guide-Cable
12:5	140-4158	1	Rod-Release	28	137-9137	2	Screw-PPH
13	140-2369	2	Pad-Smart Stow				

# Attachments and Accessories

## For 21770 55cm Recycler Lawn Mower with SmartStow

<b>Product Name</b>	<b>Model/Part</b>
SD Chute ASM .....	145-1538
Briggs Maint Kit.....	130-8148
Smart Stow Walk Power Mower Cover .....	490-2012
Lawn Striping Kit with 22in Roller .....	20601
Bag-Walk Behind (Toro).....	490-7318
Fuel Stabilizer .05 oz .....	130-2393
4-Cycle Fuel, Snow And Lawn 32oz Can .....	131-3823
Oil-30/10W-30 Synthetic (Quart).....	138-6053
Summer Oil-Case of 24 (20oz Bottles).....	38916
Toro Premium Fuel Treatment 12 Oz Bottle .....	131-6572
Toro 4-Cycle SAE 30 Oil (32oz Bottle) .....	38903

**Notes:**



**Count on it.**