



Count on it.

Parts Catalog

**46in Sprayer
SprayMaster**

Model No. 34242—Serial No. 40000000 and Up



Ordering Replacement Parts

To order replacement parts, please supply the part number, the quantity, and the description of each part desired.

Understanding Reference Numbers

Each identified part in an illustration has a reference number. The reference number for a part also appears in the parts list, along with other information about the part.

This catalog uses two special reference number formats, one to indicate parts in a service assembly and another to indicate the quantity of a given part in an illustration.

Service Assembly Reference Numbers

Parts in service assemblies have reference numbers in the form a:b. The a represents the reference number of the entire service assembly and the b represents a sequential number unique to each part within the service assembly.

For example, a wheel assembly might be identified by reference number 6, the tire by 6:1, the valve by 6:2, and the wheel by 6:3. When you order the assembly identified by reference number 6, you receive all parts identified by reference numbers 6:1, 6:2, and 6:3. However, you may also order any part individually. Reference numbers of this type appear in illustration and in parts lists.

Reference Numbers Indicating Quantity

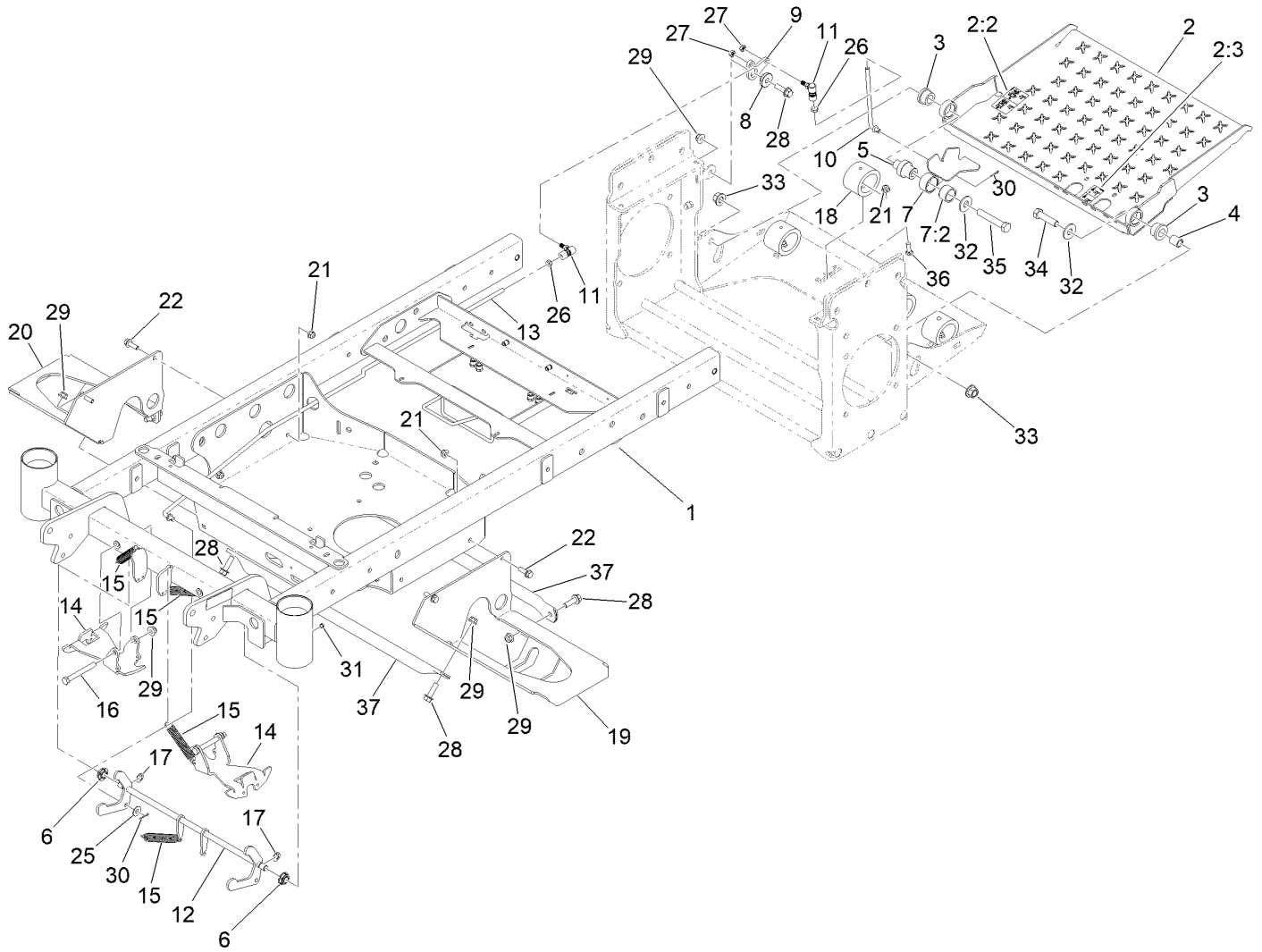
In an illustration, if a reference number indicates more than one part, the reference number has the form nX y. The n represents the quantity of the part, the X is the multiplication symbol, and the y represents the reference number.

For example, in an illustration, the reference number 2X 37 means that two of the parts identified by reference number 37 are indicated.

Contents

Frame Assembly	4
Main Frame Assembly No. 142-7523	6
Engine Assembly	8
Hydraulic Transmission Assembly	10
Pump Idler Assembly No. 142-8915	12
Expansion Hose Assembly No. 142-7303	14
Brake Assembly	16
Electrical Assembly	18
Wire Harness Assembly No. 142-5493	20
Foot Switch Assembly	22
Controls Assembly	24
Tire Assembly	26
Caster Wheels Assembly	28
Fuel Tank Assembly	30
Fuel Tank Assembly No. 142-7602	32
Spreader Assembly	34
Hopper Motor Assembly	36
Hopper Console Assembly	38
Sprayer Tanks Assembly	40
Sprayer Manifold Assembly No. 142-7050	42
Boom Assembly	44
Pump Assembly	46
Hose Reel Assembly	48
Hose Reel Assembly No. 135-5787	50
Hopper Cover, Knee Pad and Battery Assembly	52
Attachments and Accessories	54

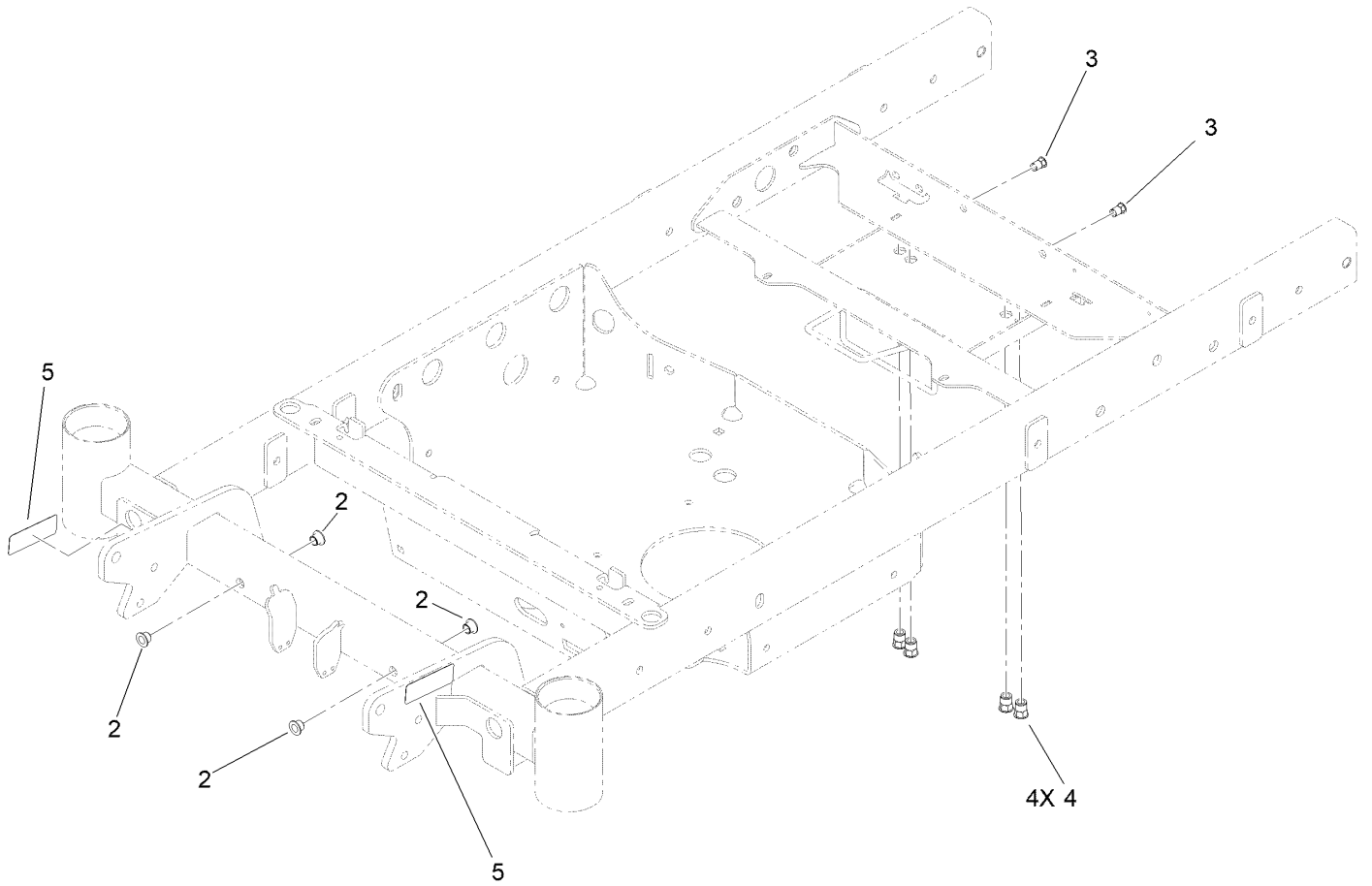
Frame Assembly



Frame Assembly (continued)

<i>Ref.</i>	<i>Part Number</i>	<i>Qty.</i>	<i>Description</i>	<i>Ref.</i>	<i>Part Number</i>	<i>Qty.</i>	<i>Description</i>
1	142-7523	1	Frame-Main	18	135-2548	5	Bumper-Isolator
2	142-6877	1	Foot Plate W/Decals	19	142-3868	1	Mount-Tank, Lower Lt
2:2	135-6728	1	Decal-Button, Foot (Spray)	20	142-3870	1	Mount-Tank, Lower Rt
2:3	135-6430	1	Decal-Lock, Caster	21	135-6109	9	Nut-Hex Flange
3	142-6033	2	Bushing-Rubber	22	135-6272	4	Screw-HHF
4	142-6034	1	Spacer	25	HDW14535	1	Flat Washer, 5/16 Nom,ST/ST,18-8
5	142-6878	1	Pivot-Pedal, Caster	26	107-0282	2	Nut-Hex
6	126-5820	2	Bearing-Spherical	27	142-5498	2	Nut-Lock, NI
7	142-4222	1	Pedal-Lock, Caster	28	135-6211	5	Screw-HHF
7:2	116-9538	1	Bushing	29	135-6110	7	Nut-Hex Flange
8	126-5989	1	Pivot-Flange	30	HDW14430	2	Cotter Pin 5/64X3/4 18-8
9	142-3960	1	Crank-Deflector	31	1-811010	2	Plug
10	142-6879	1	Linkage-Pedal, Caster	32	3256-6	2	Washer-Flat
11	135-5718	2	Ball Joint-Quick Disconnect, SS	33	99-5107	2	Nut-Lock
12	142-4074	1	Crank-Lock, Caster	34	325-8	1	Screw-HH
13	142-4166	1	Linkage-Lock, Caster	35	325-12	1	Screw-HH
14	142-4431	2	Arm-Lock, Caster	36	HDW17294	5	Bolt,Carriage,5/16-18X1,ST/ST 18-8
15	126-2127	4	Spring-Extension	37	142-5579	2	Tube-Support, Lower
16	126-2661	2	Screw-HH				
17	142-4698	2	Ring-E				

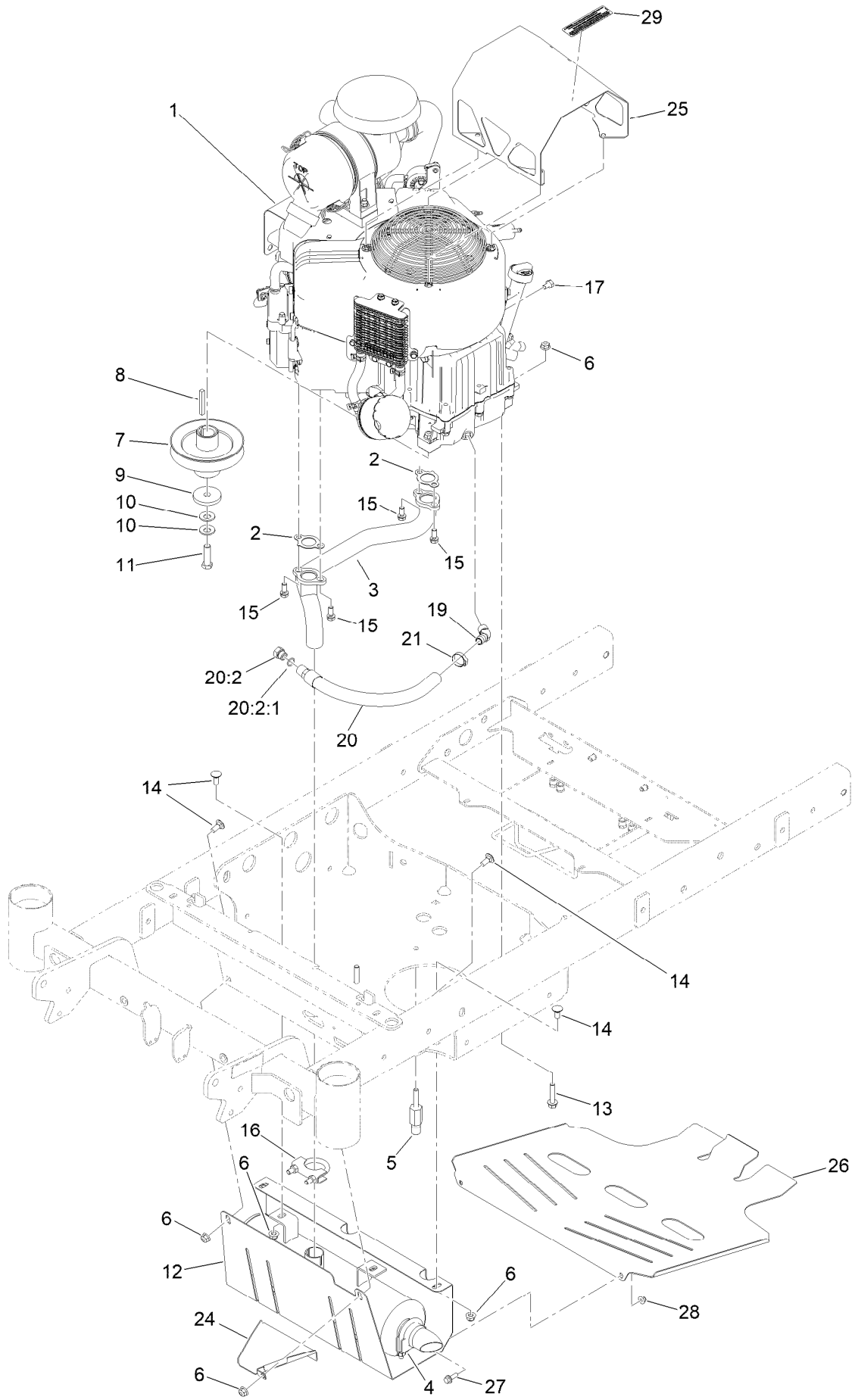
Main Frame Assembly No. 142-7523



Main Frame Assembly No. 142-7523 (continued)

<i>Ref.</i>	<i>Part Number</i>	<i>Qty.</i>	<i>Description</i>	<i>Ref.</i>	<i>Part Number</i>	<i>Qty.</i>	<i>Description</i>
2	137-2374	4	Bushing-Flange	4	142-7574	4	Nut-Clinch,Hex
3	138-2760	2	Nut-Clinch, Hex	5	120-0625	2	Decal-Warning

Engine Assembly



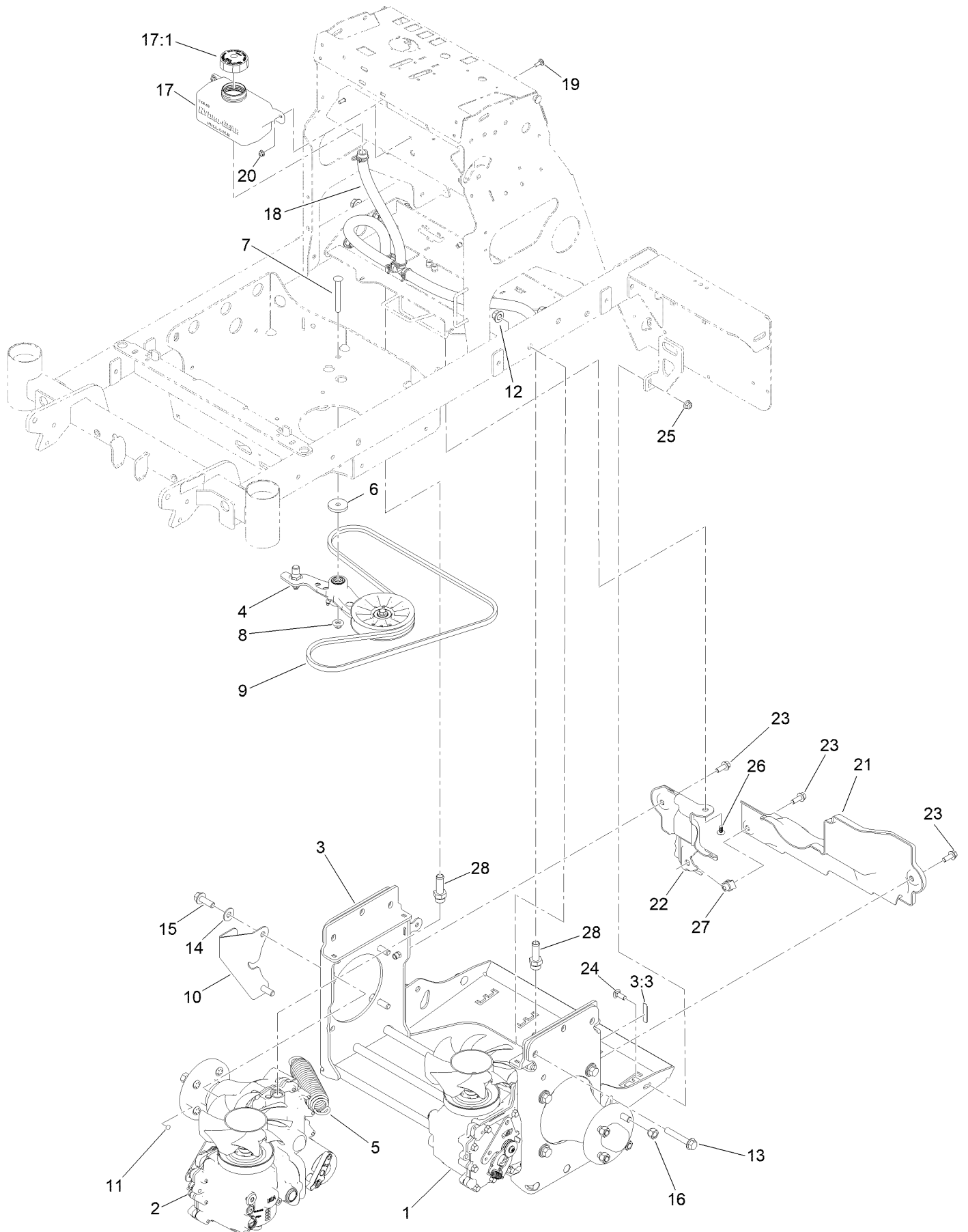
Engine Assembly (continued)

<i>Ref.</i>	<i>Part Number</i>	<i>Qty.</i>	<i>Description</i>	<i>Ref.</i>	<i>Part Number</i>	<i>Qty.</i>	<i>Description</i>
1		1	Engine-Vanguard, 21HP Vert. ●■	15	3274-96	4	Screw-HSBH
2	94-3449	2	Gasket-Manifold, Exhaust	16	2112-11	1	Clamp-Muffler
3	142-5567	1	Manifold-Muffler	17	48-7680	1	Screw-HH
4	142-5566	1	Muffler	19	116-2570	1	Elbow
5	142-3849	1	Pin-Spring Anchor	20	142-6685	1	Oil Drain Hose W/Plug
6	135-6109	10	Nut-Hex Flange	20:2	353-508	1	Plug-HH
7	142-3845	1	Pulley-Engine	20:2:1	237-42	1	O-Ring
8	103-4177	1	Key	21	135-5692	1	Clamp-Oetiker, 167
9	109-6919	1	Washer-Clutch	24	142-7578	1	Plate-Pan, Oil
10	1-603610	2	Washer-Spring	25	142-7868	1	Cover-Engine
11	109-9761	1	Screw-HH	26	146-0152	1	Pan-Belly
12	142-3842	1	Guard-Muffler	27	135-6221	2	Screw-HHF
13	142-0559	3	Screw-HHF	28	135-6108	2	Nut-Hex Flange
14	126-0695	6	Screw-CARR	29	133-8062	1	Decal-Arrestor, Spark

● Not serviced separately

■ Obtain parts from www.briggsandstratton.com

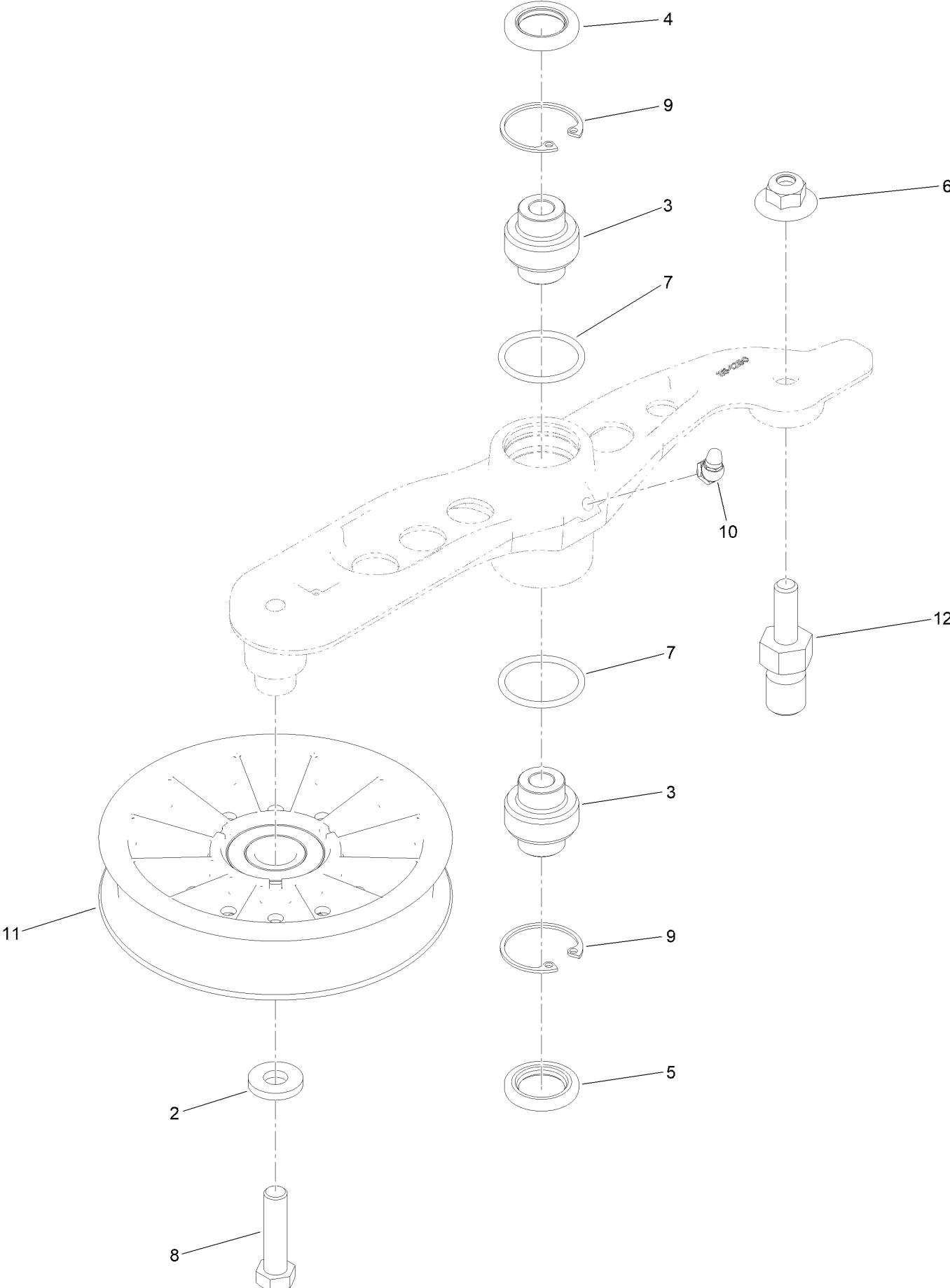
Hydraulic Transmission Assembly



Hydraulic Transmission Assembly (continued)

<i>Ref.</i>	<i>Part Number</i>	<i>Qty.</i>	<i>Description</i>	<i>Ref.</i>	<i>Part Number</i>	<i>Qty.</i>	<i>Description</i>
1	142-4466	1	Zt5400-Left	16	242-50	8	Nut-Lug
2	142-4467	1	Zt5400-Right	17	119-9908	1	Hydraulic Reservoir ASM
3	142-7500	1	Frame-ASM, Zt5400	17:1	109-3320	1	Cap-Reservoir, HYD
3:3	120-9570	1	Decal-Warning	18	142-7303	1	ASM-Hose, Expansion
4	142-8915	1	ASM-Pump Idler	19	HDW20143	2	Bolt, Carriage, 1/4-20X3/4, ST/ST
5	116-6317	1	Spring-Extension	20	135-6108	2	Nut-Hex Flange
6	110-9981	1	Washer-Plain	21	142-8956	1	Cover-Rear, Lt
7	116-1502	1	Bolt-Shoulder, Carriage	22	142-8957	1	Cover-Rear, Rt
8	109-6658	1	Nut-Flange, NI	23	135-6208	3	Screw-HHF
9	142-9347	1	Belt-V, Cogged	24	126-0980	2	Screw-CARR
10	142-4446	1	Bracket-Sensor, Speed	25	135-6110	2	Nut-Hex Flange
11	135-8903	1	Magnet-Speedometer	26	117-2382	1	Plug-Plastic
12	99-5107	6	Nut-Lock	27	105-4886	1	Nut-Tinnerman
13	3234-40	6	Screw-HF	28	142-7584	2	Fitting-Straight, 5/8 Hose Barb
14	109-9505	8	Washer-Spring				
15	100-6116	8	Screw-HHF				

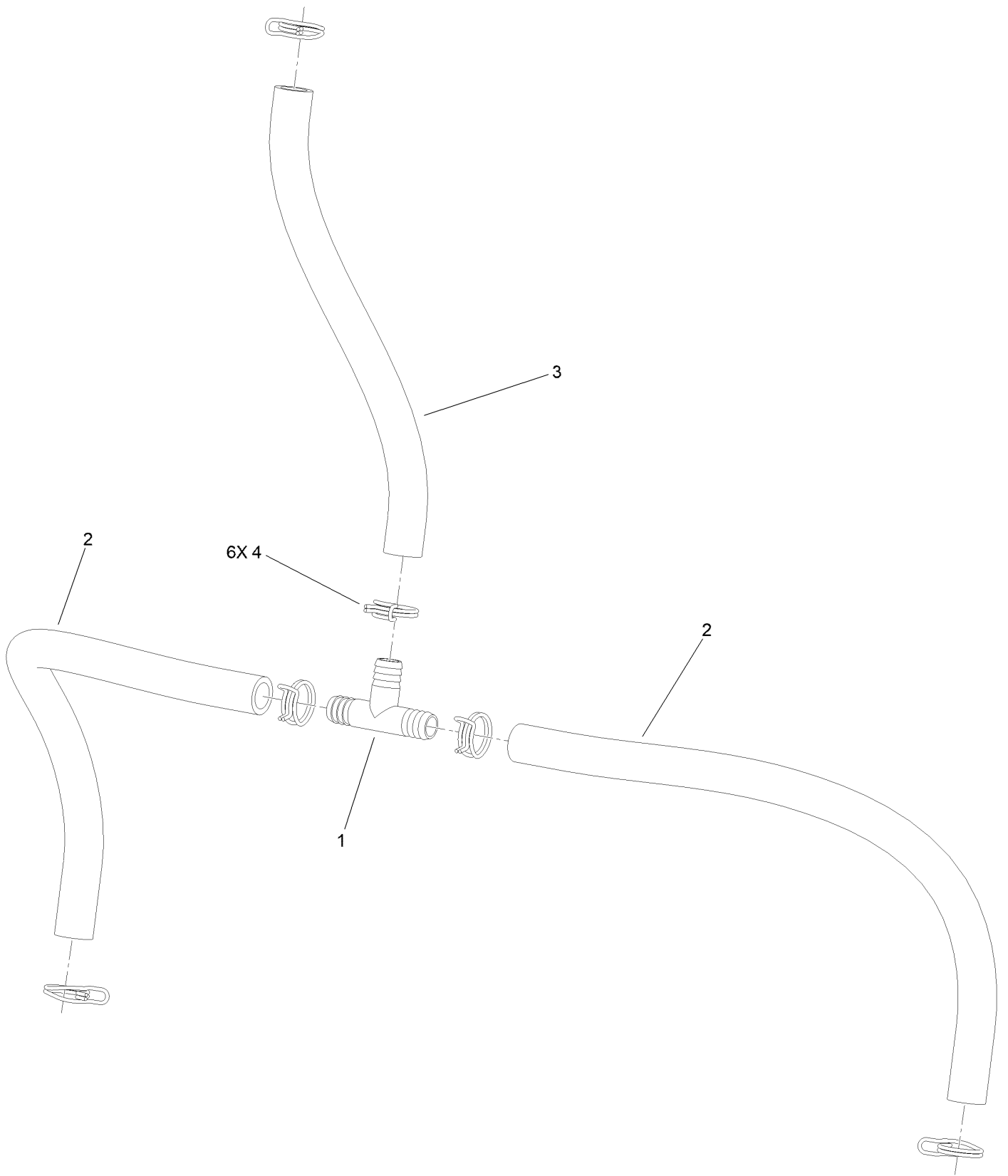
Pump Idler Assembly No. 142-8915



Pump Idler Assembly No. 142-8915 (continued)

<i>Ref.</i>	<i>Part Number</i>	<i>Qty.</i>	<i>Description</i>	<i>Ref.</i>	<i>Part Number</i>	<i>Qty.</i>	<i>Description</i>
2	43-0940	1	Spacer	8	323-8	1	Screw-HH
3	103-3504	2	Bearing-Spherical	9	32120-10	2	Ring-Snap
4	103-3505	1	Seal-Lip, Double	10	302-61	1	Fitting-Grease
5	103-3506	1	Seal-Lip, Single	11	109-8076	1	Pulley-Idler
6	109-6658	1	Nut-Flange, NI	12	132-4724	1	Pin-Anchor, Spring
7	106-7159	2	O-Ring				

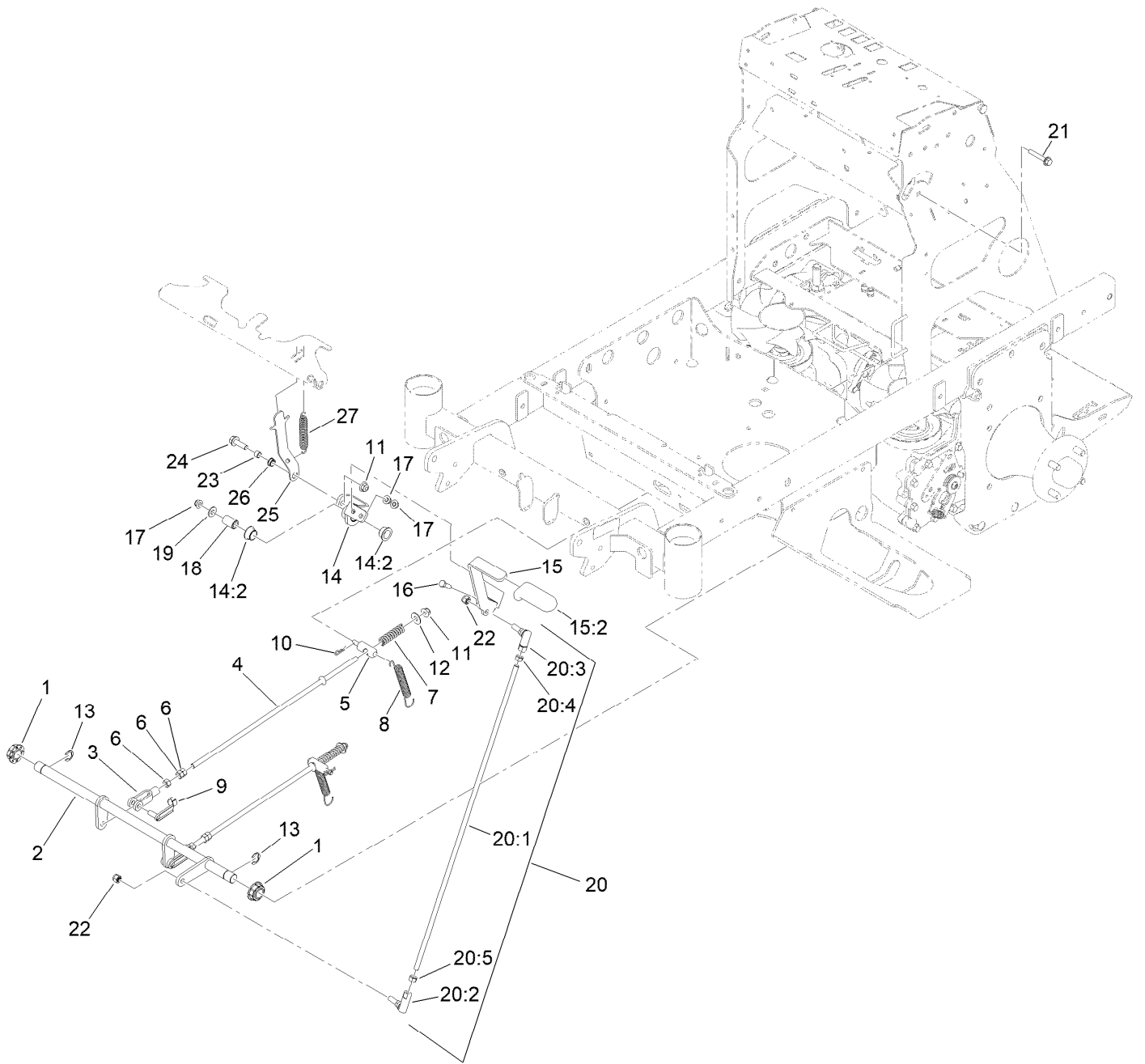
Expansion Hose Assembly No. 142-7303



Expansion Hose Assembly No. 142-7303 (continued)

<i>Ref.</i>	<i>Part Number</i>	<i>Qty.</i>	<i>Description</i>	<i>Ref.</i>	<i>Part Number</i>	<i>Qty.</i>	<i>Description</i>
1	132-5127	1	Tee	3	142-7305	1	Hose-Upper, 5/8 ID
2	142-7304	2	Hose-Lower, 5/8 ID	4	140-4908	6	Clamp-Hose

Brake Assembly

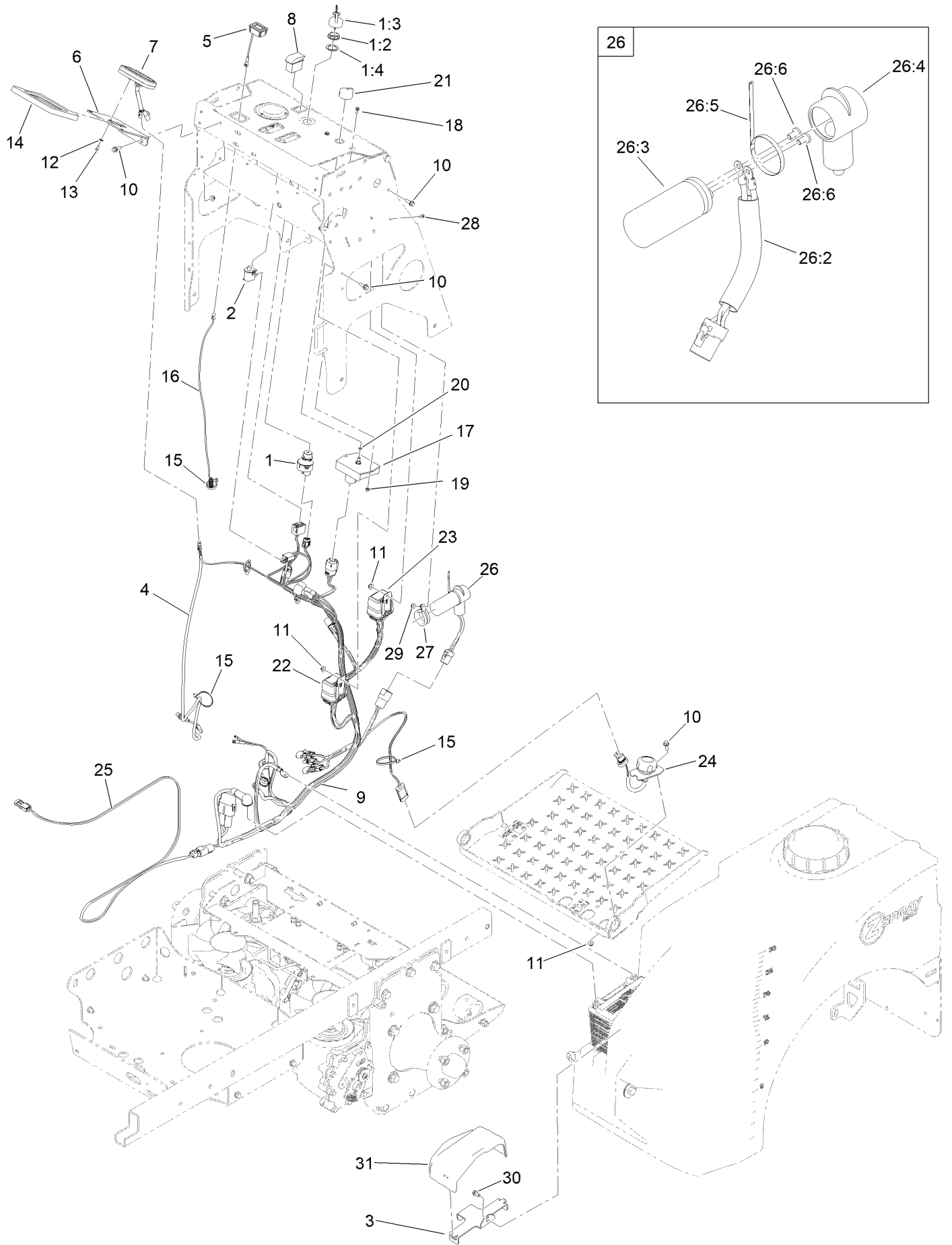


Brake Assembly (continued)

<i>Ref.</i>	<i>Part Number</i>	<i>Qty.</i>	<i>Description</i>	<i>Ref.</i>	<i>Part Number</i>	<i>Qty.</i>	<i>Description</i>
1	142-4668	2	Bearing-Spherical	17	135-6109	3	Nut-Hex Flange
2	142-3832	1	Brake ASM	18	142-3879	1	Spacer-Brake, Linkage
3	1-633131	2	Yoke-Linkage, Brake	19	HDW14535	1	Flat Washer, 5/16 Nom,ST/ST,18-8
4	142-3860	2	Rod-Brake	20		1	Linkage-Brake ●
5	142-3859	2	Fitting-Rod, Brake	20:1	142-3876	1	Rod-Brake, Linkage
6	126-0687	6	Nut-Hex	20:2	135-7739	1	Ball Joint-SS
7	142-3901	2	Spring-Compression	20:3	135-7740	1	Ball Joint-SS
8	142-3902	2	Spring-Extension	20:4	126-0688	1	Nut-Hex, LH
9	103-2399	2	Pin-Spring, Clevis	20:5	126-0687	1	Nut-Hex
10	1-806003	2	Pin-Cotter	21	126-2711	1	Screw-HHF
11	135-6110	3	Nut-Hex Flange	22	135-7741	2	Nut-Hex, NI
12	1126	2	Washer-Flat	23	142-7468	1	Spacer-Brake Pivot
13	142-4693	2	Retainer, E-Ring	24	135-6211	1	Screw-HHF
14	142-5500	1	Handle-Brake, ASM	25	142-6701	1	Link-Brake Control Lock
14:2	109-8054	2	Bushing-Flange	26	116-1393	1	Bushing
15	142-6870	1	ASM-Handle, W/ Grip	27	132-6915	1	Spring-Extension
15:2	1-633268	1	Grip-Lever				
16	126-0683	2	Screw-HH				

● Not serviced separately

Electrical Assembly



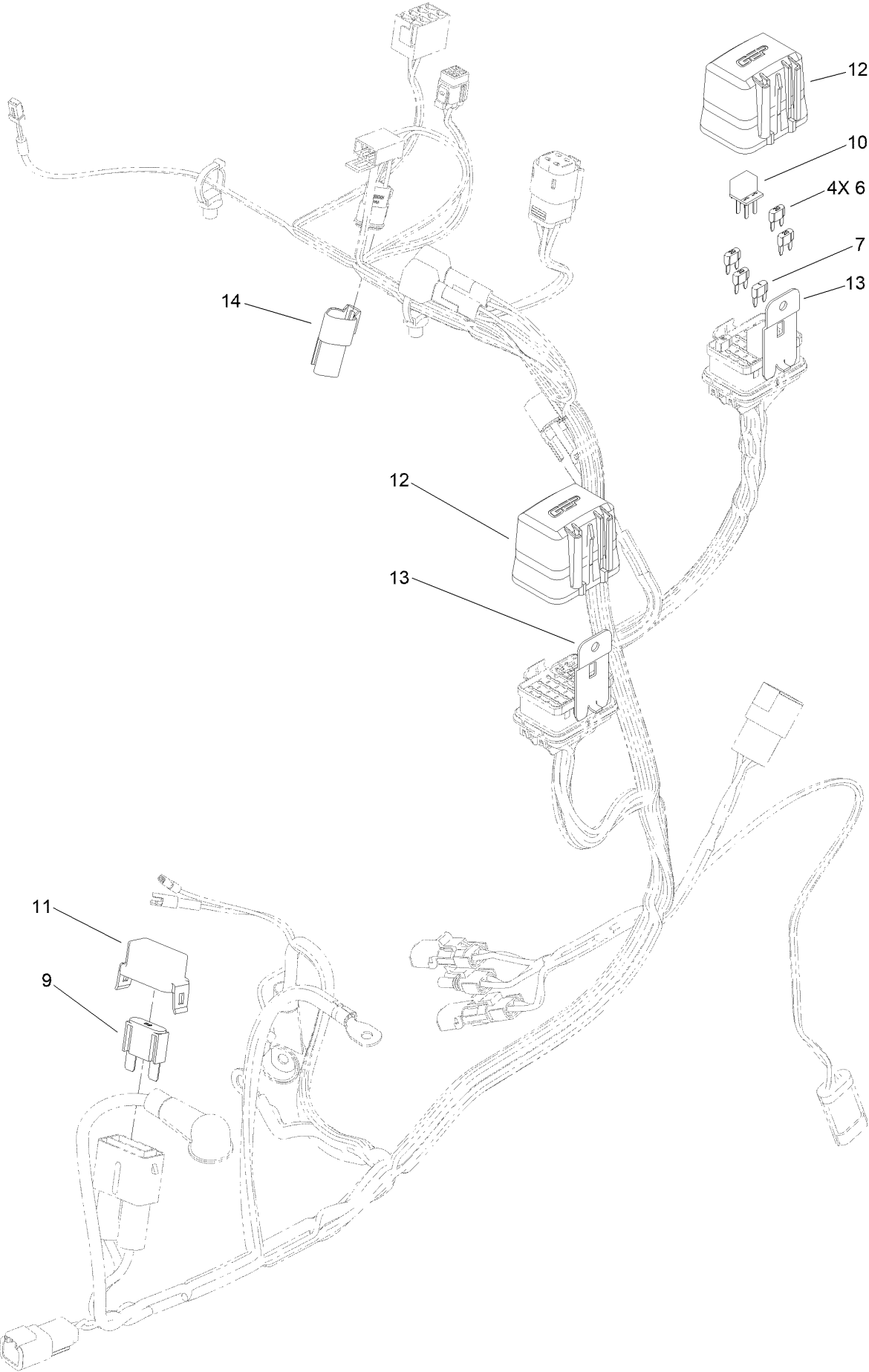
Electrical Assembly (continued)

<i>Ref.</i>	<i>Part Number</i>	<i>Qty.</i>	<i>Description</i>	<i>Ref.</i>	<i>Part Number</i>	<i>Qty.</i>	<i>Description</i>
1	126-6285	1	Ignition Switch ASM	19	520-0006	2	Nut-Hex, Nylock
1:2	108-8660	1	Nut-Mounting	20	360-0497	1	O-Ring
1:3	106-5270	1	Ignition Key Set	21	142-7061	1	Knob-Indicating
1:4	108-8659	1	Washer-Backup	22	142-8081	1	Decal-Fuse,Solid State
2	82-2190	1	Switch-Bail	23	142-8079	1	Decal-Fuse,Main
3	142-7882	1	Strap-Battery	24		1	Switch-Foot ■
4	135-8898	1	Cable-Sensor, Trail Tech	25	142-7224	1	Harness-Spreader Motor
5	135-5259	1	Meter-Tach/Hour	26	142-9333	1	Harness-Capacitor
6	142-5553-05	1	Mount-Display	26:2	32180-213	1	Tubing, Conv, 5/8", Hi Temp, Uv Inhibit
7	135-8900	1	Striker-Head Only	26:3	142-8083	1	Capacitor 36000Uf 40V
8	100-8469	1	Switch-Rocker	26:4	142-9340	1	Boot-Capacitor
9	142-5493	1	Harness	26:5	32181-017	1	Tie-Stainless
10	135-6221	5	Screw-HHF	26:6	47-2830	2	Screw
11	135-6108	5	Nut-Hex Flange	27	142-8944	1	Clamp-R, Cushion
12	126-0759	2	Washer-Flat	28	135-6374	1	Screw-HSBH
13	135-6357	2	Screw-HSH	29	135-6342	1	Nut-Hex Flange
14	142-6690	1	Pad-Display Mount	30	142-5490	1	Screw-HWH
15	3290-378	3	Tie-Cable	31	146-0151	1	Cover-Battery
16	135-6118	1	Wire-Tachometer	99	135-7317	1	Manual-User, Striker ●
17	142-6905	1	Controller-Motor, Spreader	99	135-7318	1	Card-Striker, Quick Start ●
18	112-3169	2	Screw-HHF, Serrated				

● Not illustrated

■ Not serviced separately

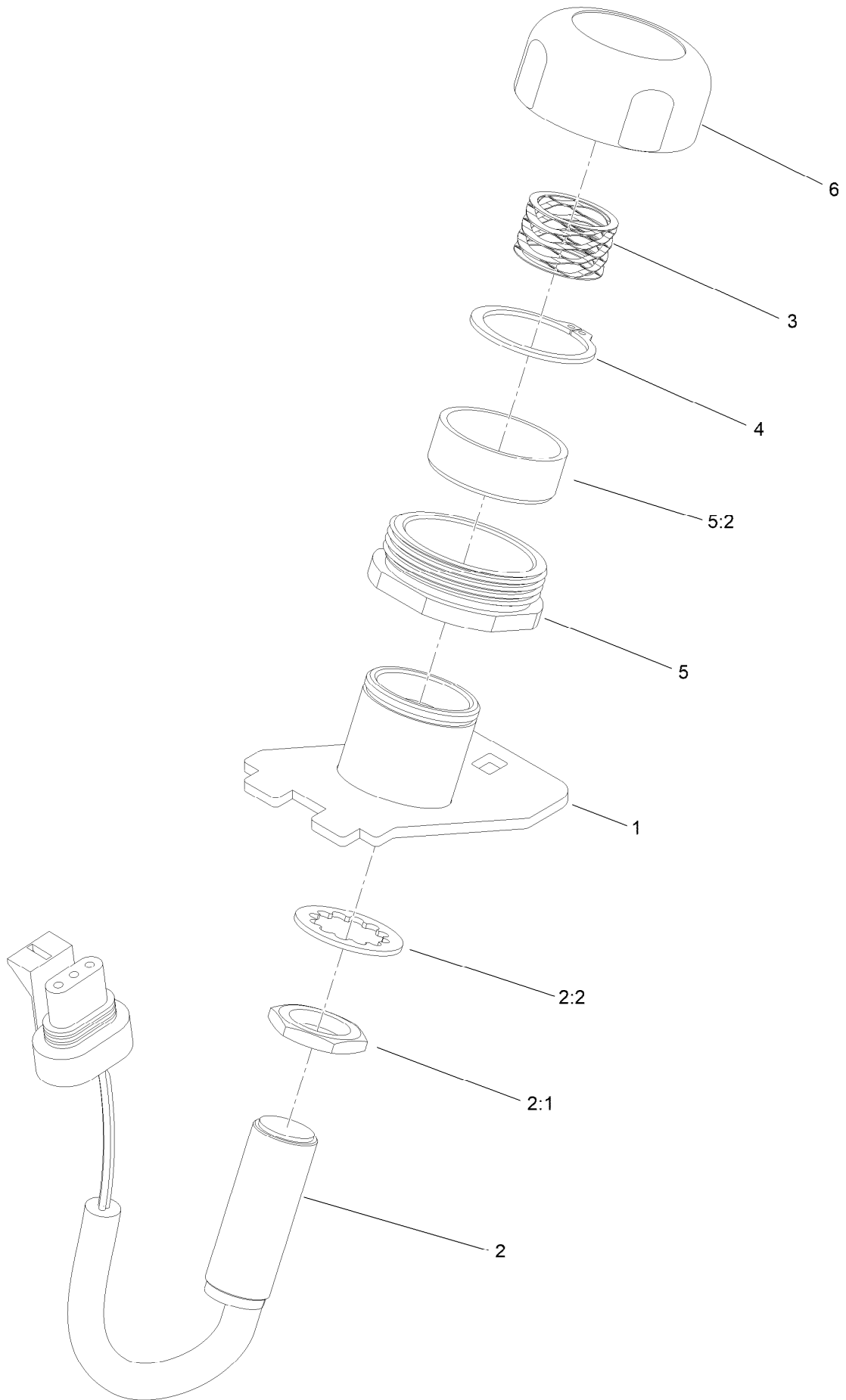
Wire Harness Assembly No. 142-5493



Wire Harness Assembly No. 142-5493 (continued)

<i>Ref.</i>	<i>Part Number</i>	<i>Qty.</i>	<i>Description</i>	<i>Ref.</i>	<i>Part Number</i>	<i>Qty.</i>	<i>Description</i>
6	121-8868	4	Fuse-Mini Blade, 20 Amp	11	32181-014	1	Cover-Fuse Holder, Maxi
7	142-5463	1	Fuse-Mini Blade, 1 Amp	12	32181-013	2	Cover-Fuseblock, 24F, Gep
9	114-3342	1	Fuse-Maxi, 60 Amp	13	32180-177	2	Clip-Mounting
10	135-5221	1	Relay-Coil, NC, Mp280	14	32160-205	1	Connector-Deutsch, 3M

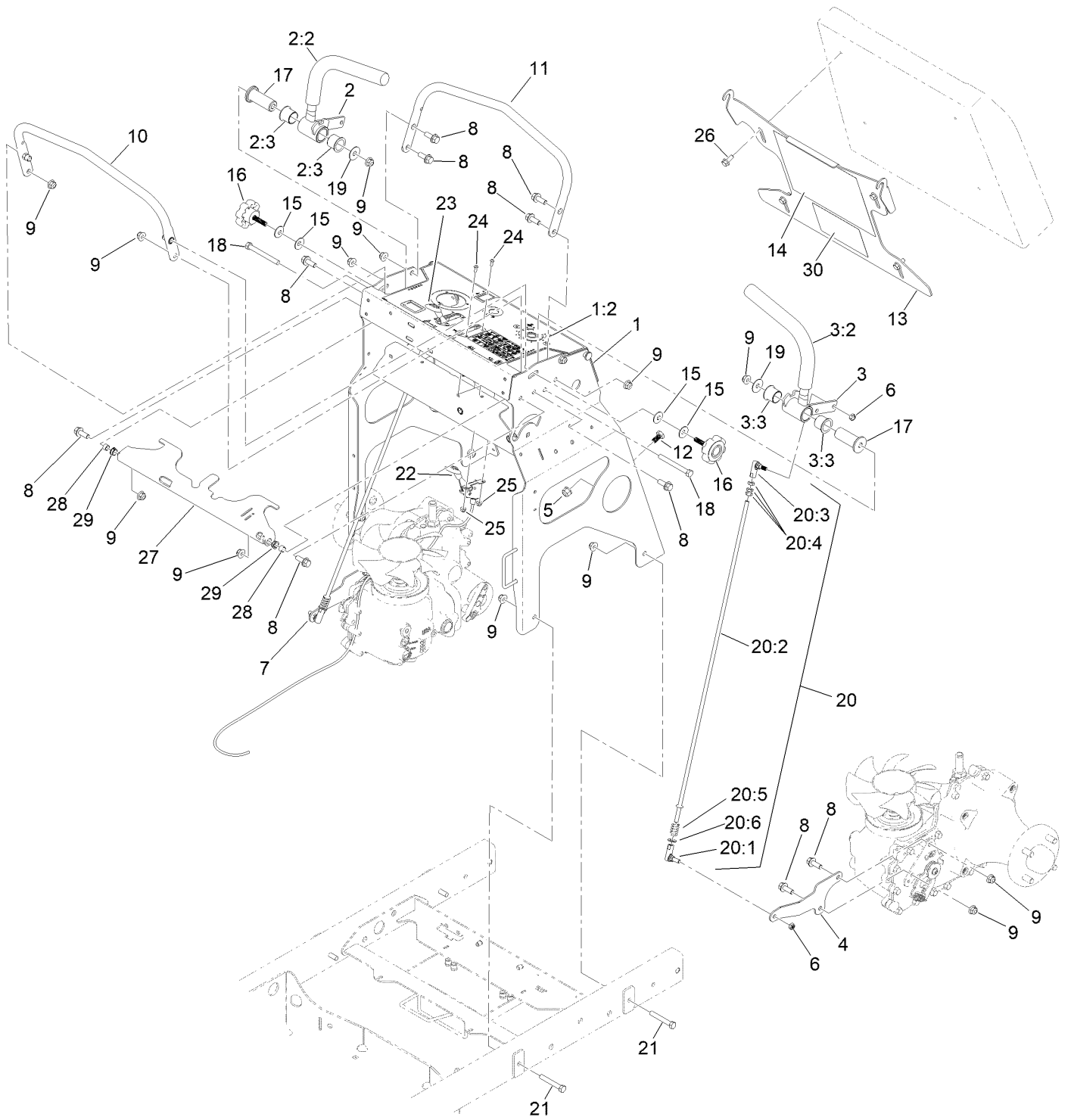
Foot Switch Assembly



Foot Switch Assembly (continued)

<i>Ref.</i>	<i>Part Number</i>	<i>Qty.</i>	<i>Description</i>	<i>Ref.</i>	<i>Part Number</i>	<i>Qty.</i>	<i>Description</i>
1	142-9322	1	Mount-Switch, Foot	4	142-9329	1	Ring-Retaining, EXT
2	115-5300	1	Proximity Switch ASM	5	142-9330	1	Guide-Button
2:1	117-3207	2	Nut-Hex	5:2	142-9326	1	Bushing-Sleeve
2:2	117-3208	2	Washer-Lock, Internal Tooth	6	142-9327	1	Button-Foot
3	142-9328	1	Spring-Wave				

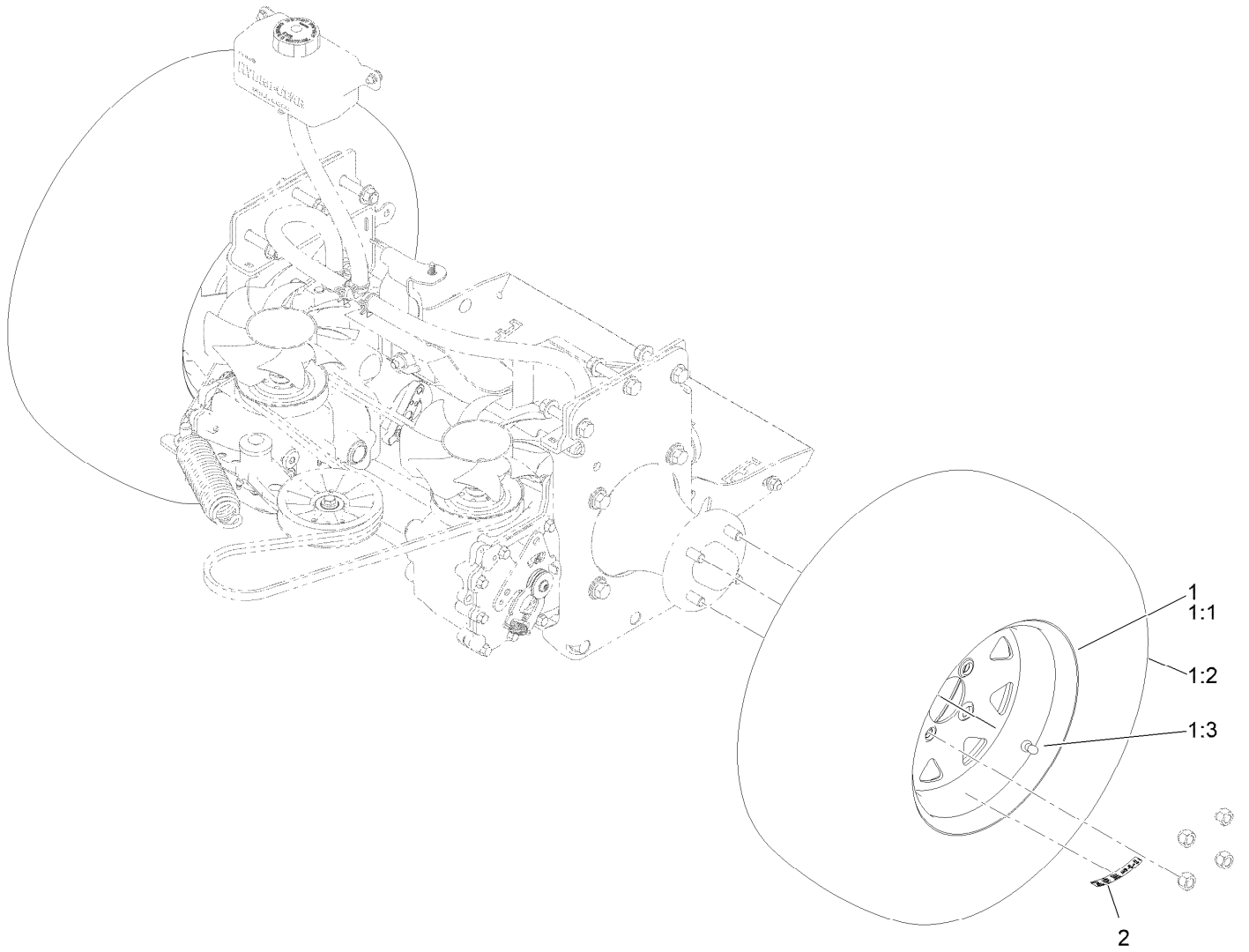
Controls Assembly



Controls Assembly (continued)

<i>Ref.</i>	<i>Part Number</i>	<i>Qty.</i>	<i>Description</i>	<i>Ref.</i>	<i>Part Number</i>	<i>Qty.</i>	<i>Description</i>
1	142-7511	1	Tower-ASM W/Decal	18	HDW17725	2	HHCS,3/8-16X3-1/2,ST/ST 18-8
1:2	146-0162	1	Decal-Control Panel	19	HDW19385	2	Washer-Flat
2	142-3696	1	Handle-Control, RH ASM	20	142-4622	2	Linkage-Control ASM
2:2	1-633257	1	Grip-Control, Motion	20:1	135-5257	1	Balljoint-SS
2:3	126-1963	2	Bushing-Pivot	20:2	142-3703	1	Rod-Control, Motion
3	142-3697	1	Handle-Control, LH ASM	20:3	135-9812	1	Balljoint-SS
3:2	1-633257	1	Grip-Control, Motion	20:4	107-0282	3	Nut-Hex
3:3	126-1963	2	Bushing-Pivot	20:5	142-6894	1	Spring-Compression
4	142-3704	1	Plate-Control, LH Rtn	20:6	107-0279	1	Washer
5	103-9511	2	Nut-Lock, NI	21	HDW05849	4	HHCS,3/8-16X2-1/2,ST/ST 18-8
6	142-5498	4	Nut-Lock, NI	22	109-9147	1	Control-Choke
7	142-3733	1	Plate-Control, RH Rtn	23	142-6693	1	Control-Throttle
8	135-6208	12	Screw-HHF	24	135-6374	4	Screw-HSBH
9	135-6110	18	Nut-Hex Flange	25	135-6342	4	Nut-Hex Flange
10	142-7601	1	Bar-Speed, ASM	26	126-2712	4	Screw-HHF
11	142-7600-05	1	Bar-Reference	27	142-9345-03	1	Plate-Lock, Mc
12	142-7585	2	Magnet-Stud, Threaded	28	142-7468	2	Spacer-Brake Pivot
13	142-9348-05	1	Plate-Knee Pad	29	116-1393	2	Bushing
14	146-0776	1	Decal-Spray Chart	30	142-8040	1	Decal-Service Aid
15	3290-461	4	Washer-Spring				
16	142-5494	2	Knob-Fluted				
17	142-4200	2	Pivot-Control, Handle				

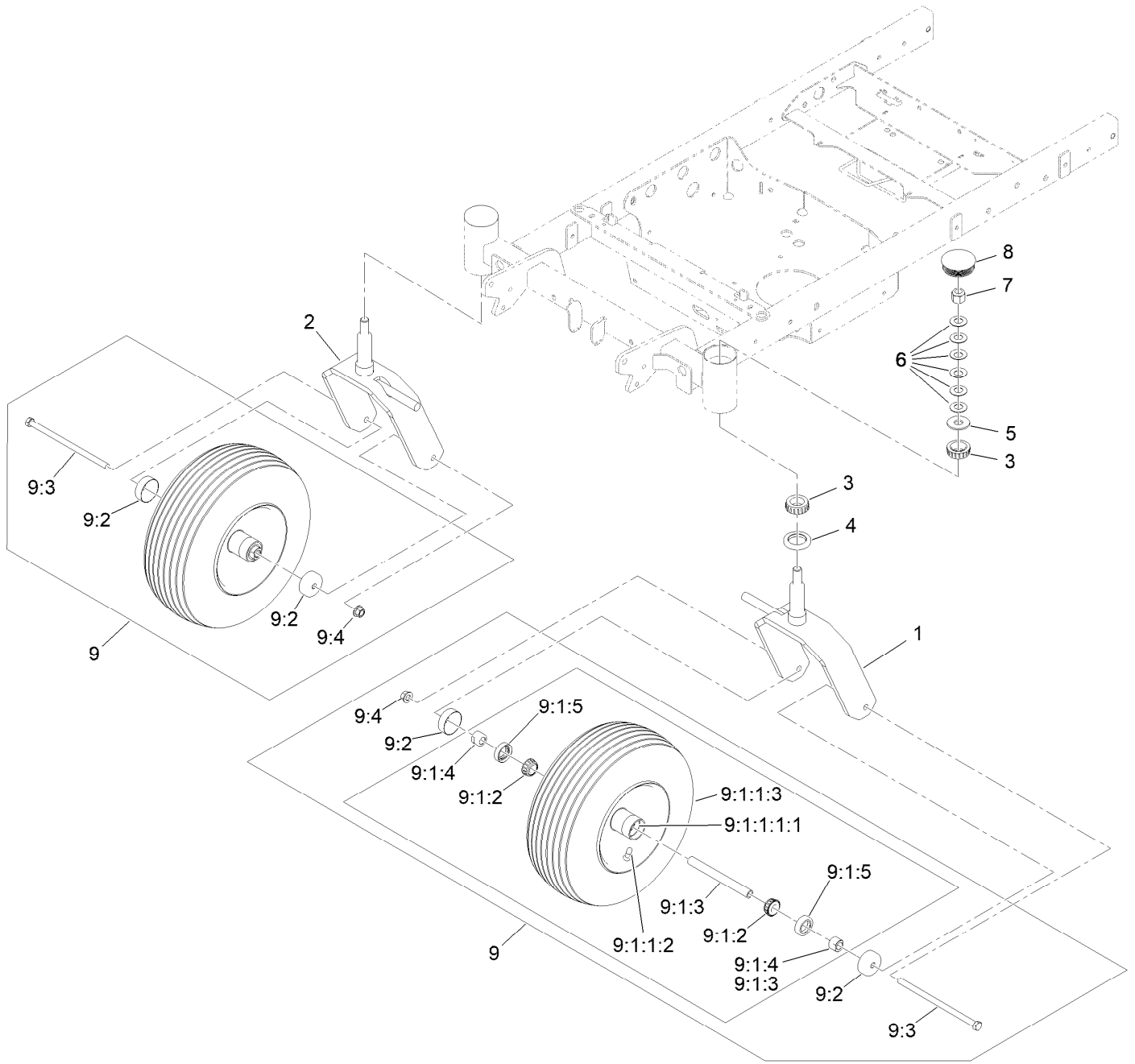
Tire Assembly



Tire Assembly (continued)

<i>Ref.</i>	<i>Part Number</i>	<i>Qty.</i>	<i>Description</i>	<i>Ref.</i>	<i>Part Number</i>	<i>Qty.</i>	<i>Description</i>
1	142-3692	2	Wheel And Tire ASM	1:3	232-27	1	Stem-Valve
1:1	142-3693	1	Rim ASM	2	126-2055	2	Decal-Torque, Wheel Hub Lug
1:2	127-9523	1	Tire				

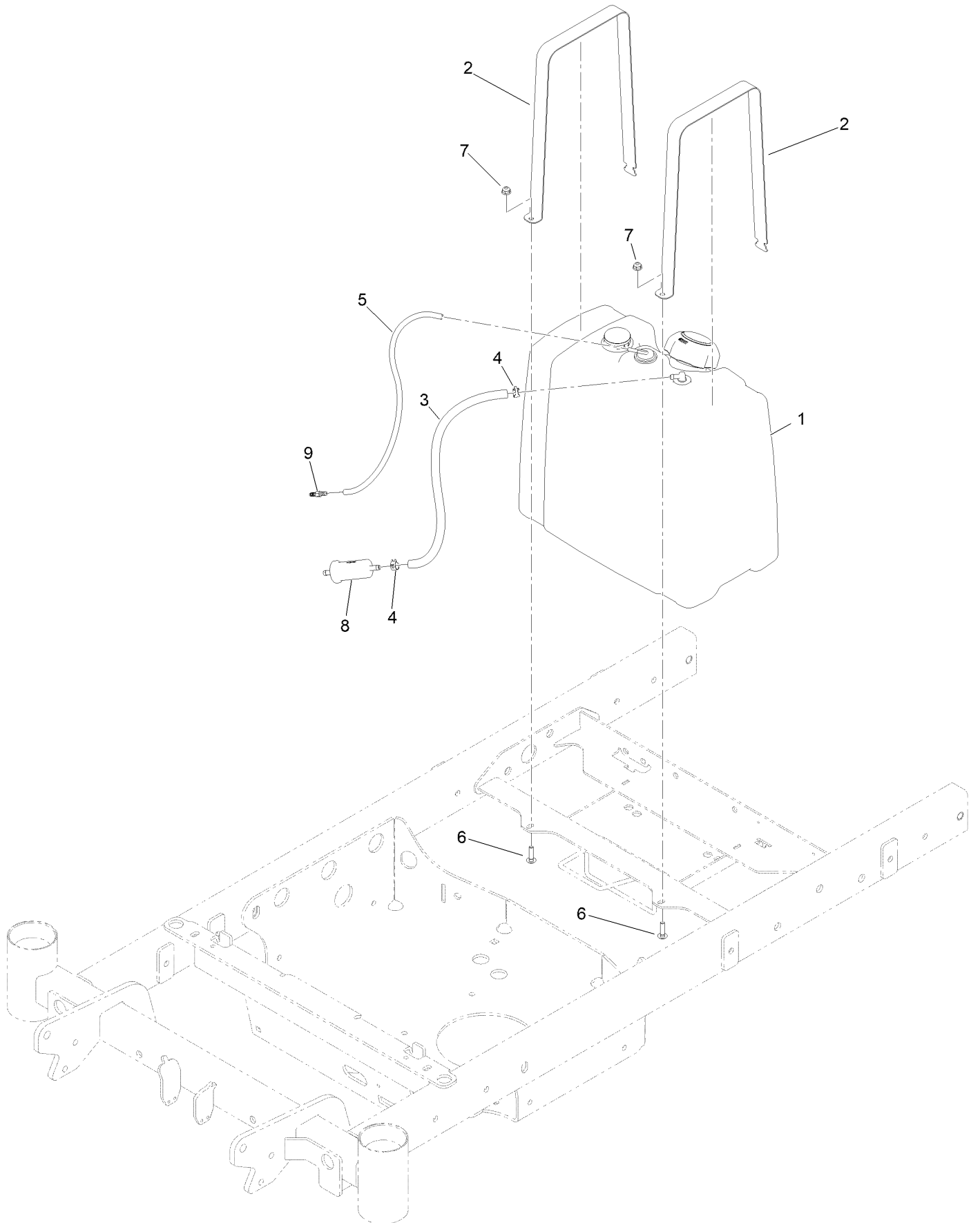
Caster Wheels Assembly



Caster Wheels Assembly (continued)

<i>Ref.</i>	<i>Part Number</i>	<i>Qty.</i>	<i>Description</i>	<i>Ref.</i>	<i>Part Number</i>	<i>Qty.</i>	<i>Description</i>
1	142-4545-05	1	Weld-Caster, LH [blk-Txt]	9:1:1:2	232-27	1	Stem-Valve
2	142-4547-05	1	Weld-Caster, RH [blk-Txt]	9:1:1:3	135-5976	1	Tire-Rib
3	103-9028	4	Bearing-Roller, Cone Taper	9:1:2	1-633585	2	Bearing-Cone, Taper
4	135-0355	2	Seal-Grease	9:1:3	126-5361	1	Axle Caster ASM
5	3256-8	2	Washer-Flat	9:1:4	103-3051	1	Spacer-Nut
6	1-633508	12	Washer-Bellville	9:1:5	103-0063	2	Seal-Caster
7	3296-51	2	Nut-Lock, NI	9:2	103-2768	2	Guard-Seal
8	142-7588	2	Cap-Tube, Caster	9:3	325-39	1	Screw-HH
9	142-5556	2	ASM-Whl And Tire W/Axle	9:4	99-5107	1	Nut-Lock
9:1:1:1:11	633584	2	Bearing-Cup				

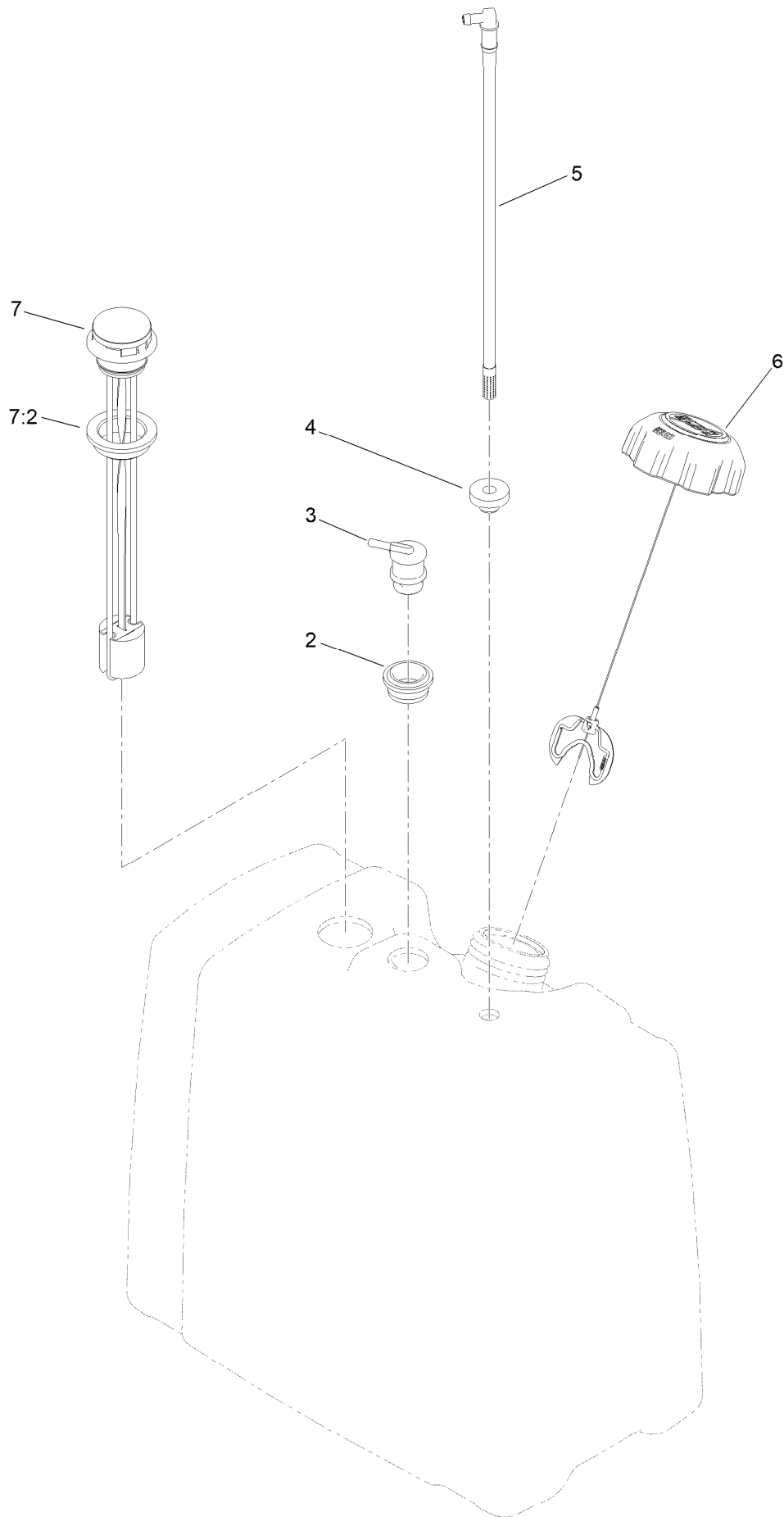
Fuel Tank Assembly



Fuel Tank Assembly (continued)

<i>Ref.</i>	<i>Part Number</i>	<i>Qty.</i>	<i>Description</i>	<i>Ref.</i>	<i>Part Number</i>	<i>Qty.</i>	<i>Description</i>
1	142-7602	1	ASM-Tank, Fuel	6	126-1455	2	Screw-CARR
2	142-7332	2	Strap-Tank	7	135-6108	2	Nut-Hex Flange
3	109-0296	1	Hose-Fuel	8	135-6687	1	Filter-Fuel
4	2412-98	2	Clamp-Hose	9	120-1996	1	Fitting-STR
5	115-7872	1	Hose-Fuel				

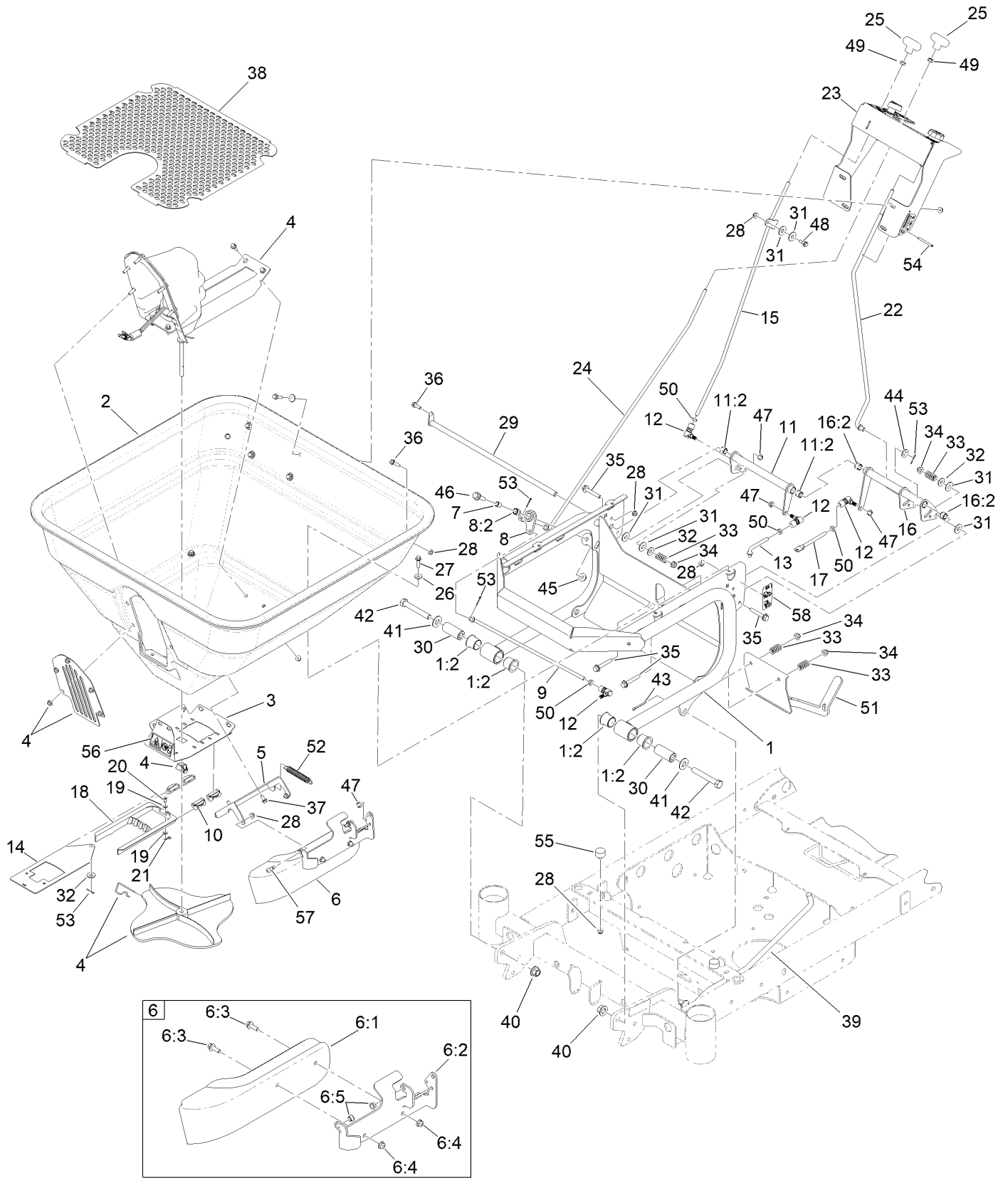
Fuel Tank Assembly No. 142-7602



Fuel Tank Assembly No. 142-7602 (continued)

<i>Ref.</i>	<i>Part Number</i>	<i>Qty.</i>	<i>Description</i>	<i>Ref.</i>	<i>Part Number</i>	<i>Qty.</i>	<i>Description</i>
2	114-0284	1	Grommet	6	137-4127	1	Cap-Fuel
3	119-3547	1	Valve-Vent, Fuel	7	119-0509	1	Gauge ASM
4	46-6560	1	Bushing	7:2	119-0508	1	Seal
5	115-9044	1	Pipe-Stand				

Spreader Assembly

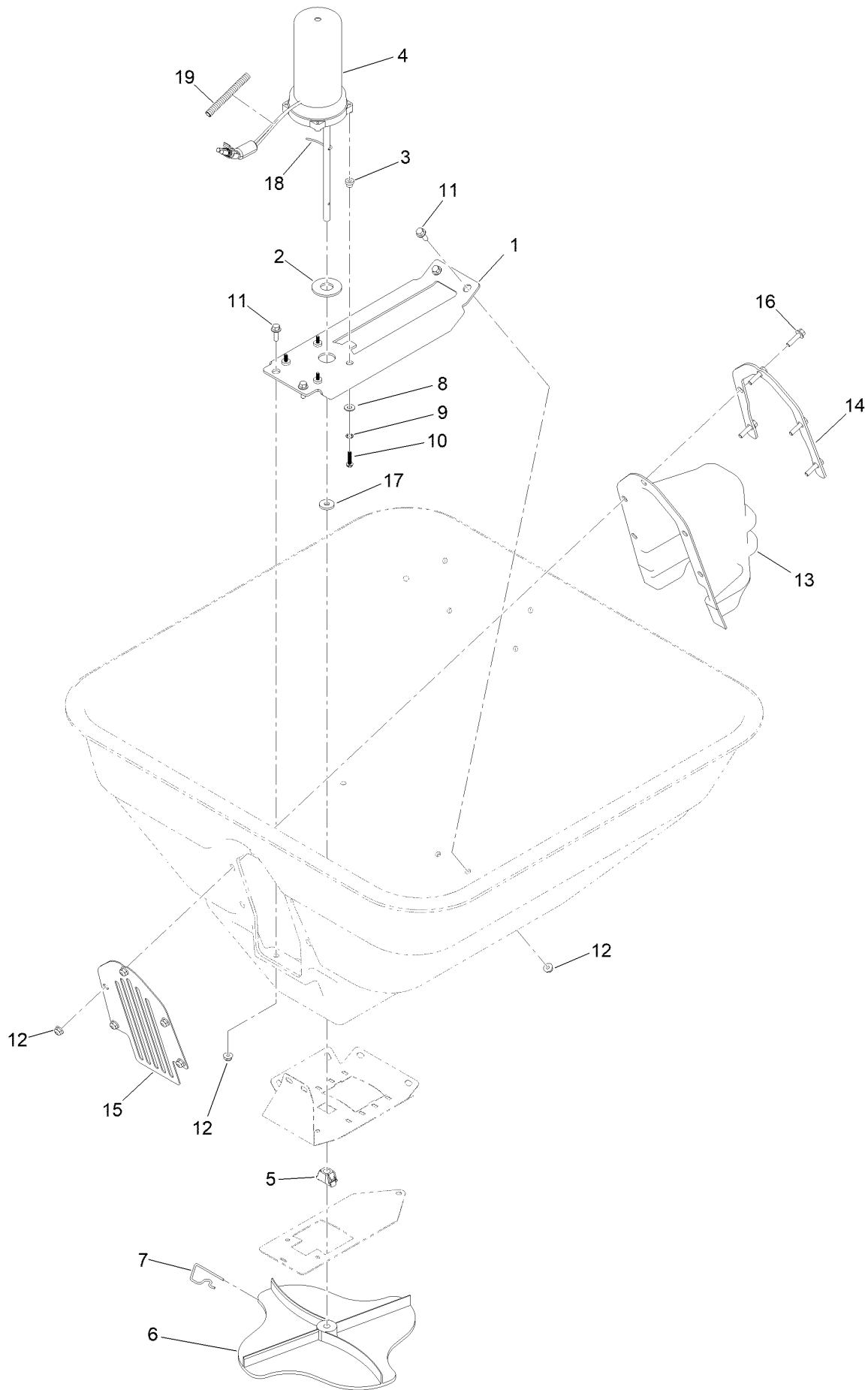


Spreader Assembly (continued)

<i>Ref.</i>	<i>Part Number</i>	<i>Qty.</i>	<i>Description</i>	<i>Ref.</i>	<i>Part Number</i>	<i>Qty.</i>	<i>Description</i>
1	142-7344	1	Frame-Hopper	26	135-6341	4	Washer
1:2	126-1963	4	Bushing-Pivot	27	HDW27147	4	Screw-HHF
2	142-4648	1	Hopper-250 Lb.	28	135-6108	12	Nut-Hex Flange
3	142-3991	1	Plate-Hopper, Bottom	29	142-4031	1	Shaft-Control, Hopper
4		1	ASM-Motor, Hopper ●	30	142-4293	2	Spacer-Pivot, Hopper
5	142-7872	1	Bracket-Hopper Deflector	31	93-1633	6	Washer
6		1	ASM-Deflector, Side ●	32	HDW14535	3	Flat Washer, 5/16 Nom,ST/ST,18-8
6:1	146-0145	1	Chute-Deflector	33	142-6894	4	Spring-Compression
6:2	146-0146	1	Bracket-Deflector, Side	34	135-6109	4	Nut-Hex Flange
6:3	135-6221	2	Screw-HHF	35	126-2711	4	Screw-HHF
6:4	135-6108	2	Nut-Hex Flange	36	135-6221	3	Screw-HHF
6:5	138-5538	2	Bushing-Flange	37	142-5490	8	Screw-HWH
7	142-7618	1	Bushing-Pivot, Deflector	38	142-4696	1	Screen-Hopper, Medium
8	142-7614	1	Crank-Defelctor	39	142-6888	1	Rod-Prop, Hopper
8:2	142-3932	1	Bushing	40	135-6111	2	Nut-Hex Flange
9	142-3961	1	Linkage-Deflector, Lower	41	HDW14428	2	Washer
10	142-3316	4	Guide-Rate, Gate	42	142-7326	2	Screw-HH
11	142-3927	1	Crank-Gate, Hopper	43	135-6292	1	Pin-Cotter
11:2	142-3932	2	Bushing	44	HDW05859	1	Washer,Flat,3/8ST/ST 18-8
12	135-5718	4	Ball Joint-Quick Disconnect, SS	45	135-6110	1	Nut-Hex Flange
13	142-3933	1	Linkage-Gate, Lower	46	135-6211	1	Screw-HHF
14	142-3942	1	Rate-Gate	47	142-5498	4	Nut-Lock, NI
15	142-5504	1	Linkage-Gate, Upper	48	42-3560	1	Bolt-Shoulder
16	142-3946	1	Crank-Diffuser	49	363-1684	2	Nut-Hex
16:2	142-3932	2	Bushing	50	107-0282	4	Nut-Hex
17	142-3949	1	Linkage-Diffuser, Lower	51	142-7495-05	1	Latch-Hopper [blk-Txt]
18	142-3406	1	Diffuser	52	142-8921	1	Spring-Extension
19	126-0759	2	Washer-Flat	53	HDW14430	4	Cotter Pin 5/64X3/4 18-8
20	126-3729	1	Pin-Clevis	54	142-7053	1	Pin-Roll, 3/16 X 2.0
21	126-1631	1	Pin-Cotter, Hair	55	240-14	2	Bumper-Rubber
22	142-3950	1	Linkage-Diffuser, Upper	56	135-6725	1	Decal-Dismemberment Hazard
23		1	ASM-Console, Hopper ●	57	119-4881	2	Bolt-Shoulder
24	142-3962	1	Linkage-Deflector, Upper	58	146-0725	1	Decal-Hopper Rotate
25	142-5558	2	Knob-T				

● Not serviced separately

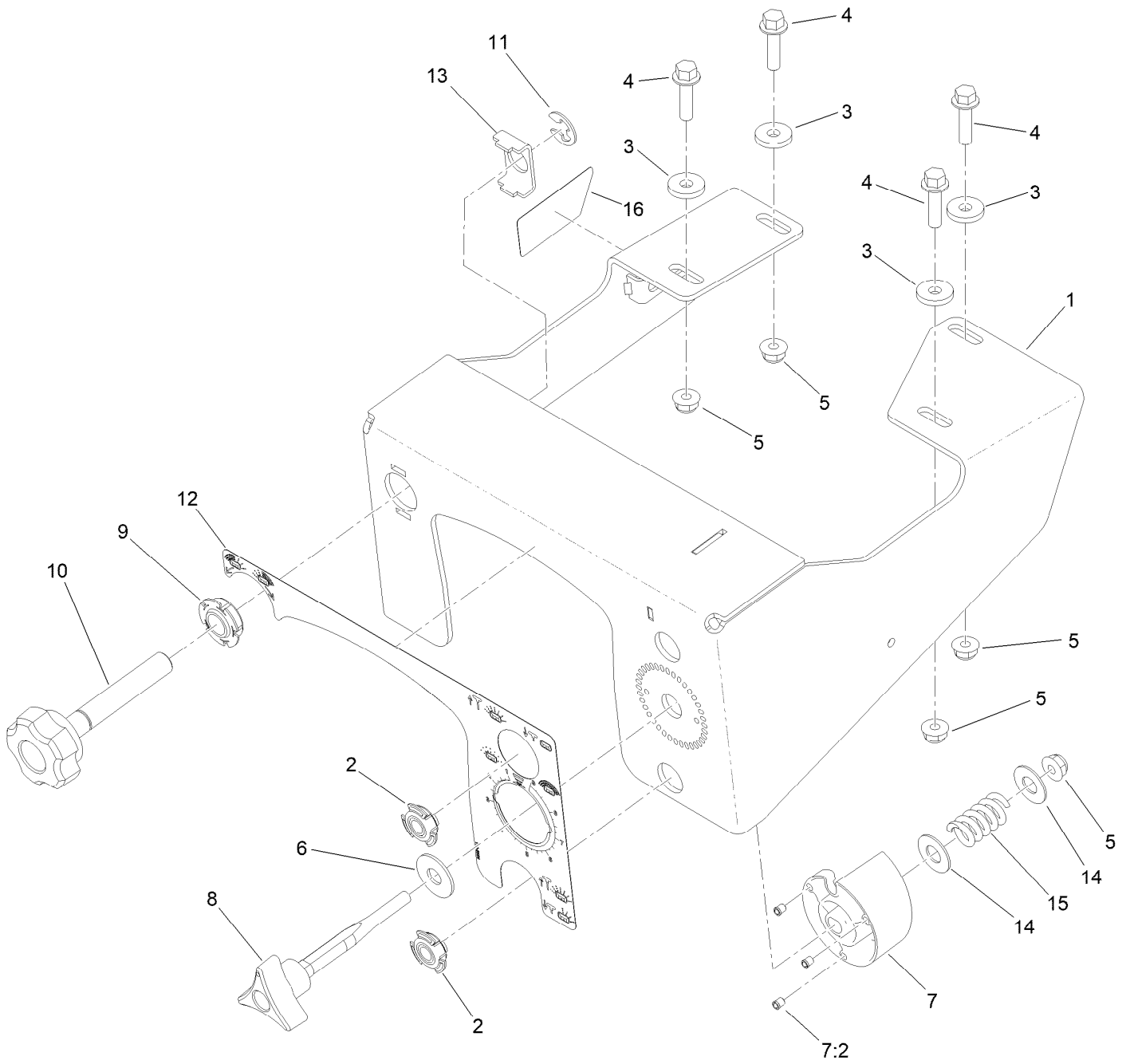
Hopper Motor Assembly



Hopper Motor Assembly (continued)

<i>Ref.</i>	<i>Part Number</i>	<i>Qty.</i>	<i>Description</i>	<i>Ref.</i>	<i>Part Number</i>	<i>Qty.</i>	<i>Description</i>
1	142-4686	1	Bracket-Mount, Motor	11	135-6221	4	Screw-HHF
2	83-2400	1	Spacer	12	135-6108	9	Nut-Hex Flange
3	135-3989	4	Spacer-Flanged	13	142-8924	1	Cover-Motor
4	126-0379	1	Motor-Spreader	14	126-6334	1	Flange-Cover, Motor
5	142-4042	1	Hopper Bottom Bearing	15	142-4721	1	Cover-Front, Motor
6	142-3506	1	Spinner-Spreader	16	HDW27147	5	Screw-HHF
7	142-3541	1	Clip-Spinner	17	142-3665	1	Washer-Felt
8	360-0140	4	Washer-Flat	18	142-3666	1	Wire-Agitator
9	363-8641	4	Washer-Lock, Int	19	142-6683	1	Loom-Split
10	739001	4	Screw-SHWH				

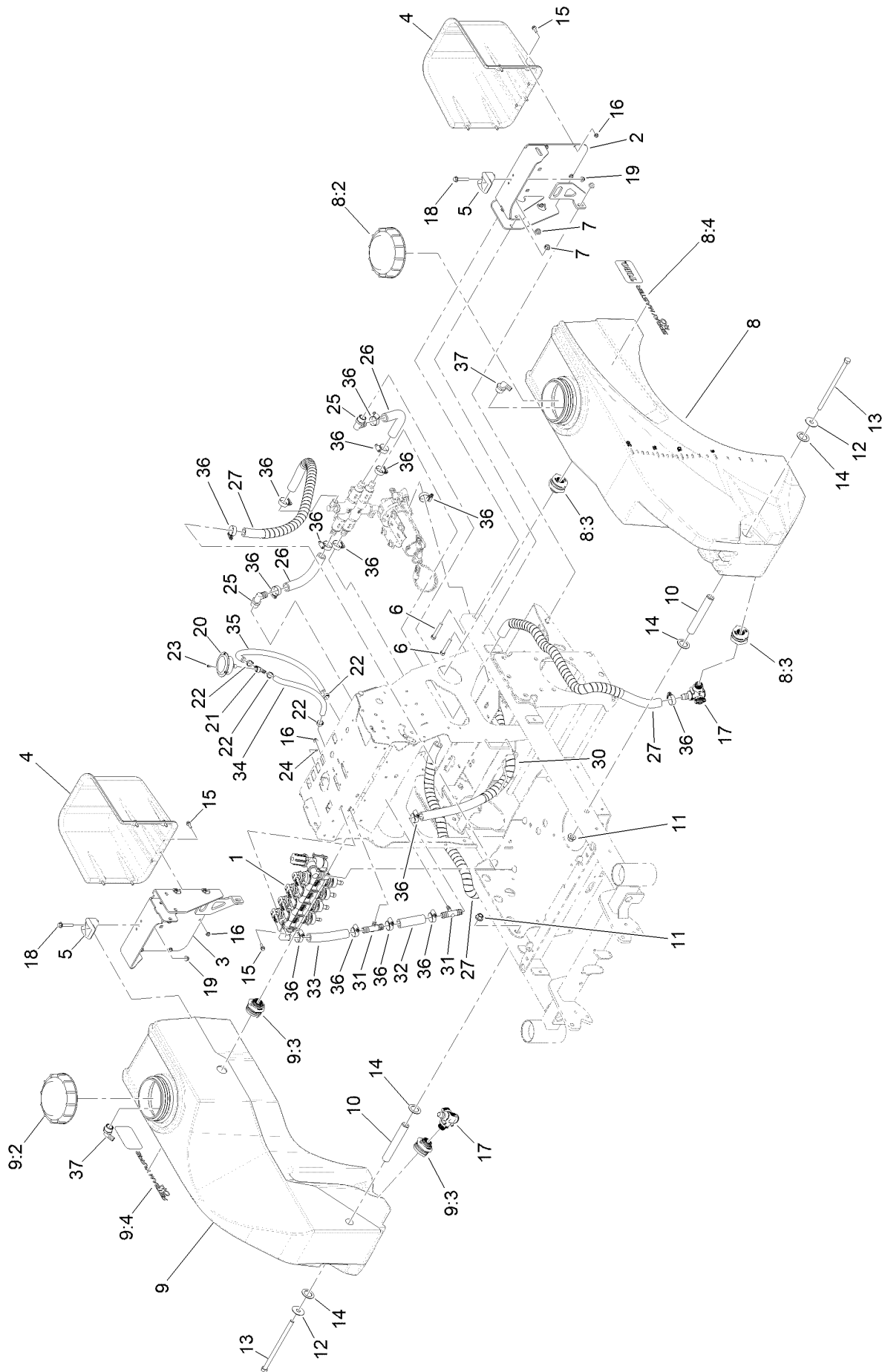
Hopper Console Assembly



Hopper Console Assembly (continued)

<i>Ref.</i>	<i>Part Number</i>	<i>Qty.</i>	<i>Description</i>	<i>Ref.</i>	<i>Part Number</i>	<i>Qty.</i>	<i>Description</i>
1	142-5560	1	Console-Hopper	9	126-5820	1	Bearing-Spherical
2	142-3955	2	Bearing-Spherical	10	142-7037	1	Knob-Diffuser
3	135-6341	4	Washer	11	142-4698	1	Ring-E
4	HDW27147	4	Screw-HHF	12	142-5588	1	Decal-Hopper
5	135-6108	5	Nut-Hex Flange	13	142-7054	1	Stop-Diffuser
6	93-1633	1	Washer	14	HDW05859	2	Washer,Flat,3/8ST/ST 18-8
7	142-4642	1	Dial-Rate	15	142-6894	1	Spring-Compression
7:2	142-4641	3	Plunger-Spring, Ball	16	142-9684	1	Decal-Pattern Indicator
8	142-7035	1	Knob-Rate				

Sprayer Tanks Assembly



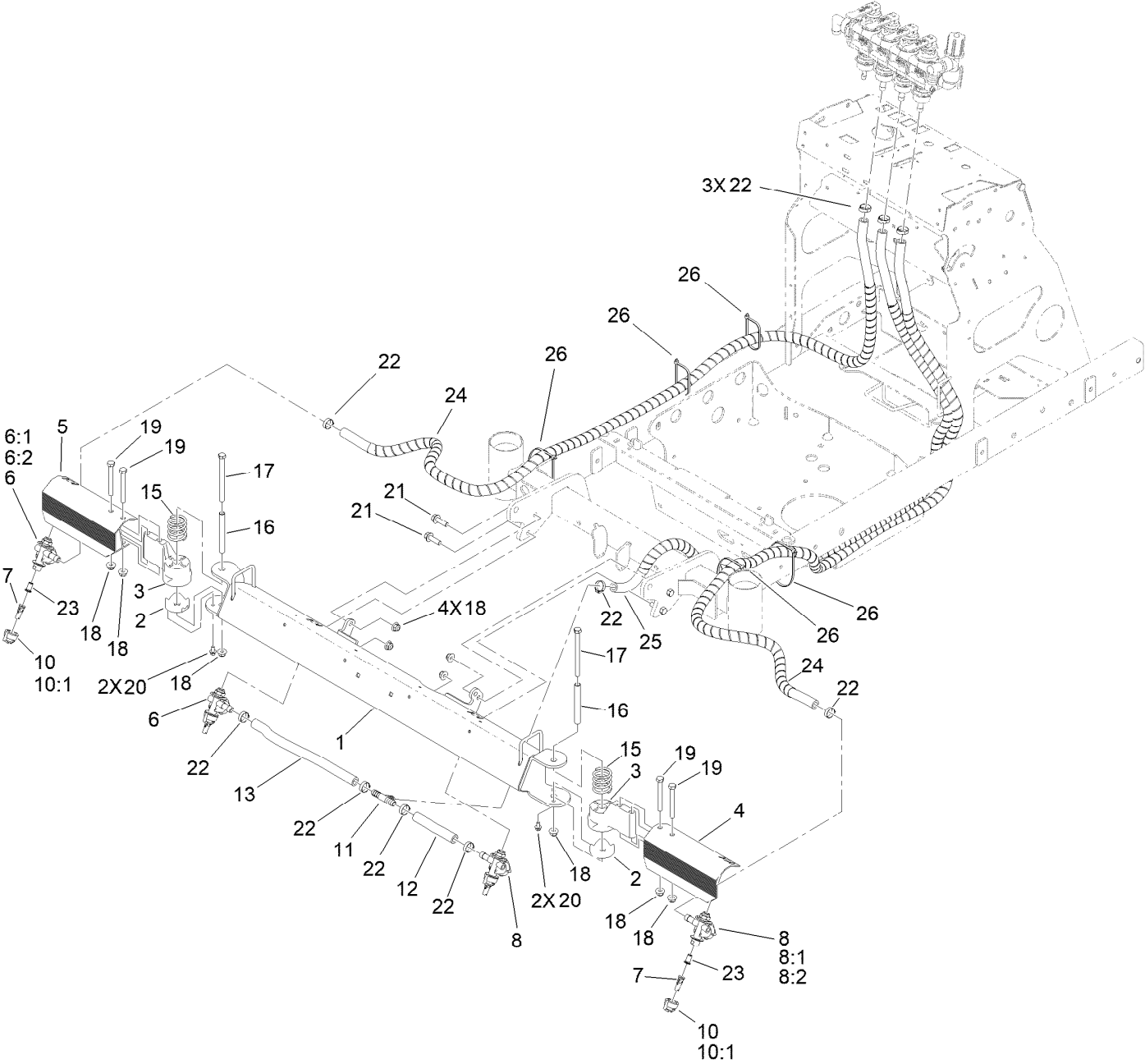
Sprayer Tanks Assembly (continued)

<i>Ref.</i>	<i>Part Number</i>	<i>Qty.</i>	<i>Description</i>	<i>Ref.</i>	<i>Part Number</i>	<i>Qty.</i>	<i>Description</i>
1	142-7050	1	ASM-Manifold, Spray	15	135-6221	14	Screw-HHF
2	142-7320	1	Mount-Tank, Lt Int	16	135-6108	14	Nut-Hex Flange
3	142-7322	1	Mount-Tank, Rt Int	17	142-4468	2	Valve-3 Way
4	142-4718	2	Box-Fertilzer, Mid	18	126-2711	2	Screw-HHF
5	107-4543	2	Clamp	19	135-6109	2	Nut-Hex Flange
6	HDW05849	4	HHCS,3/8-16X2-1/2,ST/ST 18-8	20	126-4110	1	Gauge-Pressure
7	135-6110	4	Nut-Hex Flange	21	126-2348	1	Fitting-Tee
8	142-7848	1	Tank-20Gal, Lt	22	135-5757	4	Clamp-Oetiker, 167
8:2	135-5916	1	Cap-Tank, Spray	23	135-6357	3	Screw-HSH
8:3	126-4393	2	Fitting-Bulkhead	24	140-3749	3	Nut-Lock Rohs
8:4	142-9315	1	Decal-Spraymaster, 40	25	135-5772	2	Fitting-Elbow, 90
9	142-7850	1	Tank-20Gal, Rt	26	142-6912	2	Hose-Spray, Formed
9:2	135-5916	1	Cap-Tank, Spray	27	142-7613	3	Hose-Spray, Wrapped
9:3	126-4393	2	Fitting-Bulkhead	30	142-7610	1	Hose-Spray, Wrapped
9:4	142-9316	1	Decal-Spraymaster, 40	31	142-4450	2	Tee-Hose Barb
10	142-5501	2	Spacer-Tank	32	142-6907	1	Hose-Spray
11	135-6111	2	Nut-Hex Flange	33	142-7611	1	Hose-Spray
12	142-7591	2	Washer-Flat, 1/2, SS	34	142-7612	1	Hose-Spray
13	142-5502	2	Screw-HHCS	35	142-7062	1	Hose-Spray
14	131-5905	4	Washer-Rubber	36	2412-129	16	Clamp-Hose
				37	135-5744	2	Fitting-Elbow, 90

Sprayer Manifold Assembly No. 142-7050 (continued)

<i>Ref.</i>	<i>Part Number</i>	<i>Qty.</i>	<i>Description</i>	<i>Ref.</i>	<i>Part Number</i>	<i>Qty.</i>	<i>Description</i>
1	132-7706	1	Elbow-90 DEG	10	142-6348	8	Screw-Hscs 6 MM X 25.0 MM SS
2	135-5736	1	Valve-Throttle	11	142-7041	1	Cap-End, 3/4 Npt, Female
3	135-5772	1	Fitting-Elbow, 90	12	142-7042	3	ASM-Valve Section, Grey
4	142-4415	4	Washer	13	142-7043	1	ASM-Valve Section, Black
5	142-4416	2	Bracket-Mount	14	142-7496	3	Alignment Piece
6	142-5591	1	Kit-Hose Barb, 3/4 90, Qc	15	142-7497	5	Gasket
7	142-6187	3	Kit-1/2 Hb, STR, Qc	16	142-7498	8	M6X1 Metric Hex Stand-Off
8	142-6188	1	Kit-3/8 Hb, STR, Qc	17	142-7499	4	M6X1 Threaded Rod
9	142-6347	1	Adaptor-Male Qc Bolted Flanged				

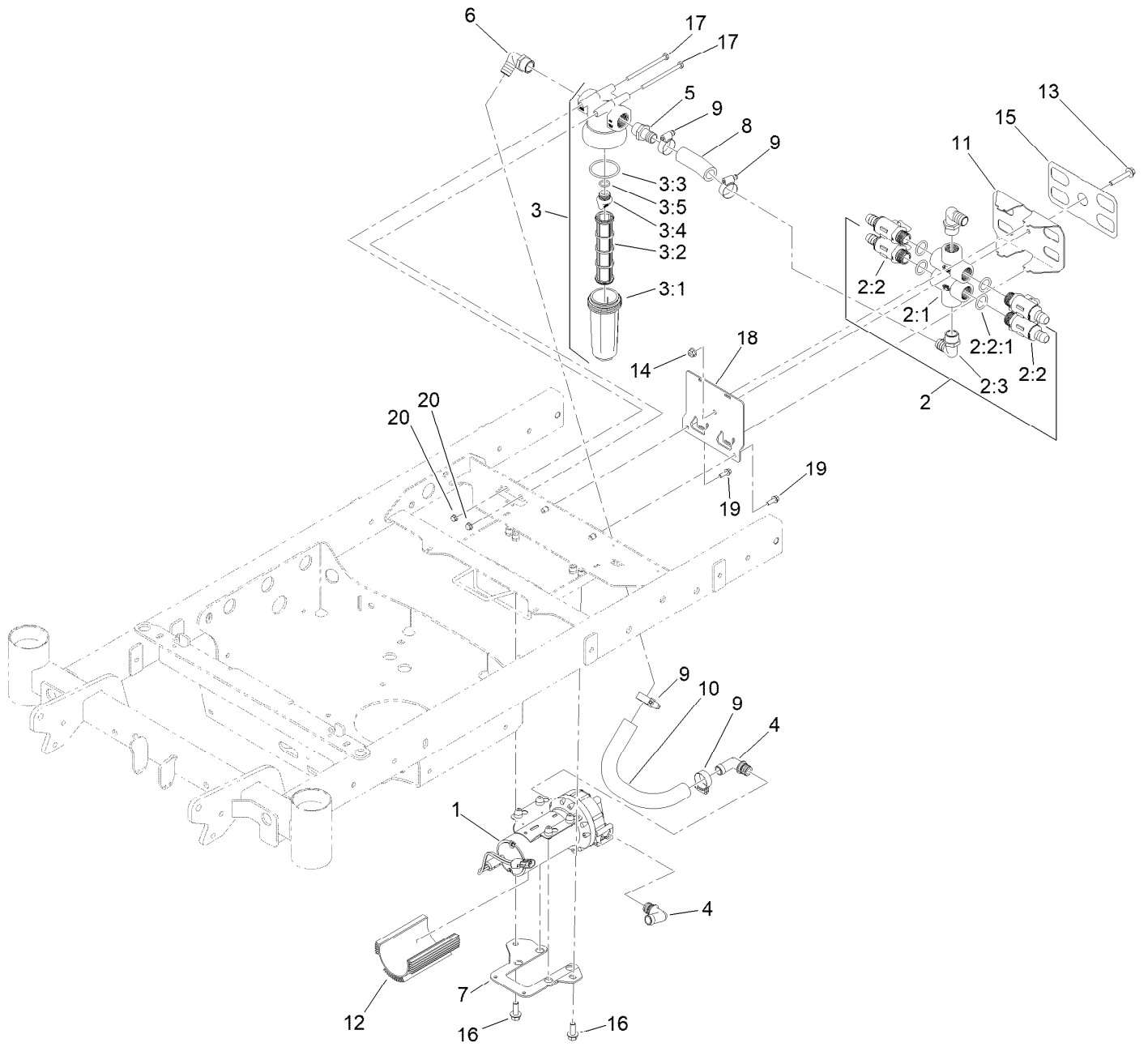
Boom Assembly



Boom Assembly (continued)

<i>Ref.</i>	<i>Part Number</i>	<i>Qty.</i>	<i>Description</i>	<i>Ref.</i>	<i>Part Number</i>	<i>Qty.</i>	<i>Description</i>
1	142-4690	1	Boom-Center, Weld	12	135-6298	1	Hose-Spray
2	142-3990	2	Boom-Pivot	13	135-7129	1	Hose-Spray
3	142-6682	2	Hinge-Boom	15	142-6880	2	Spring-Compression
4	142-4691	1	Boom-Wing, LH	16	142-4069	2	Spacer-Boom, Pivot
5	142-4692	1	Boom-Wing, RH	17	142-7327	2	Screw-HH
6	135-5790	2	Body-Nozzle, Right	18	135-6110	10	Nut-Hex Flange
6:1	146-1020	1	Cap-Sprayer Nozzle	19	126-2661	4	Screw-HH
6:2	146-1021	1	Diaphragm-Sprayer Nozzle	20	142-5490	4	Screw-HWH
7	142-3308	4	Tip-Spray, 025	21	135-6211	4	Screw-HHF
8	135-5788	2	Body-Nozzle, Left	22	135-5692	10	Clamp-Oetiker, 167
8:1	146-1020	1	Cap-Sprayer Nozzle	23	126-3943	4	Strainer-Nozzle, 50M 5PSI
8:2	146-1021	1	Diaphragm-Sprayer Nozzle				Check
10	135-5781	4	Cap-Nozzle	24	142-7325	2	Hose-Spray, Wrapped
10:1	40998	1	Seat-Gasket	25	142-7059	1	Hose-Spray, Wrapped
11	126-0968	1	Fitting-Tee	26	3290-379	5	Tie-Cable

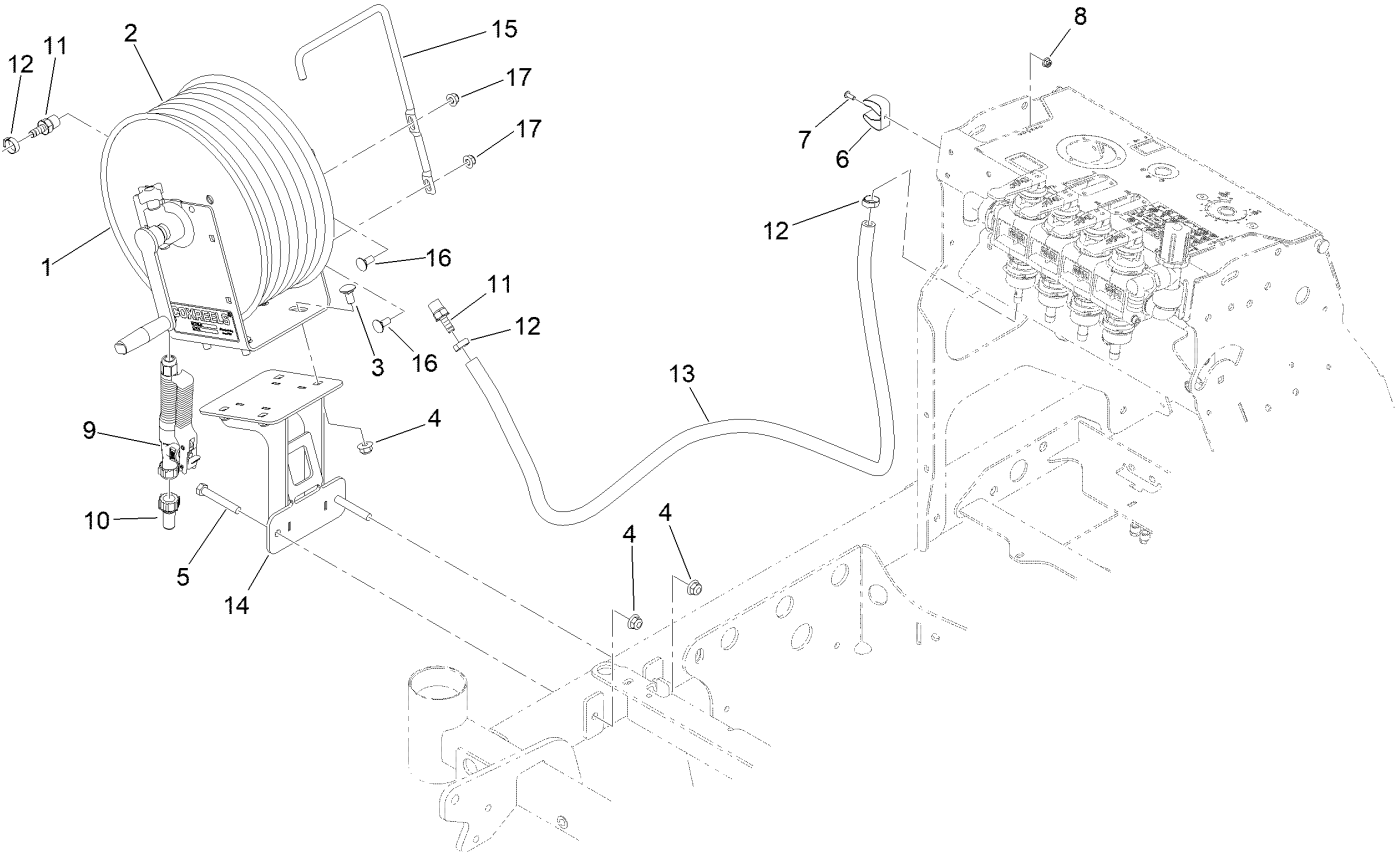
Pump Assembly



Pump Assembly (continued)

<i>Ref.</i>	<i>Part Number</i>	<i>Qty.</i>	<i>Description</i>	<i>Ref.</i>	<i>Part Number</i>	<i>Qty.</i>	<i>Description</i>
1	146-0148	1	Pump-5.3 GPM	7	142-4274	1	Bracket-Mount, Pump
2	142-6906	2	ASM-Valve, Selector	8	142-8961	1	Hose-Spray
2:1	146-0632	1	Fitting-Tee	9	2412-129	4	Clamp-Hose
2:2	142-9319	2	Valve	10	142-6908	1	Hose-Formed
2:2:1	142-9320	1	O-Ring, -213	11	142-6910	1	Bracket-Valve, Selector
2:3	135-5772	1	Fitting-Elbow, 90	12	142-3322	1	Heatsink-3.0"
3	142-8947	1	Strainer-T, 50 Mesh	13	126-2711	1	Screw-HHF
3:1	131-0203	1	Cup-Filter	14	135-6109	1	Nut-Hex Flange
3:2	131-0210	1	Screen-Filter, 50 Mesh	15	142-7247	1	Decal-Valve
3:3	131-0207	1	Oring-Filter, Cup	16	135-6208	2	Screw-HHF
3:4	131-0204	1	Plug-Filter	17	142-8960	2	Screw-HHCS
3:5	131-0205	1	Oring-Filter, Plug	18	142-7521	1	Mount-Valve
4	126-4420	2	Fitting-Elbow	19	135-6221	2	Screw-HHF
5	41257	1	Hosebarb	20	135-6108	2	Nut-Hex Flange
6	135-5772	1	Fitting-Elbow, 90				

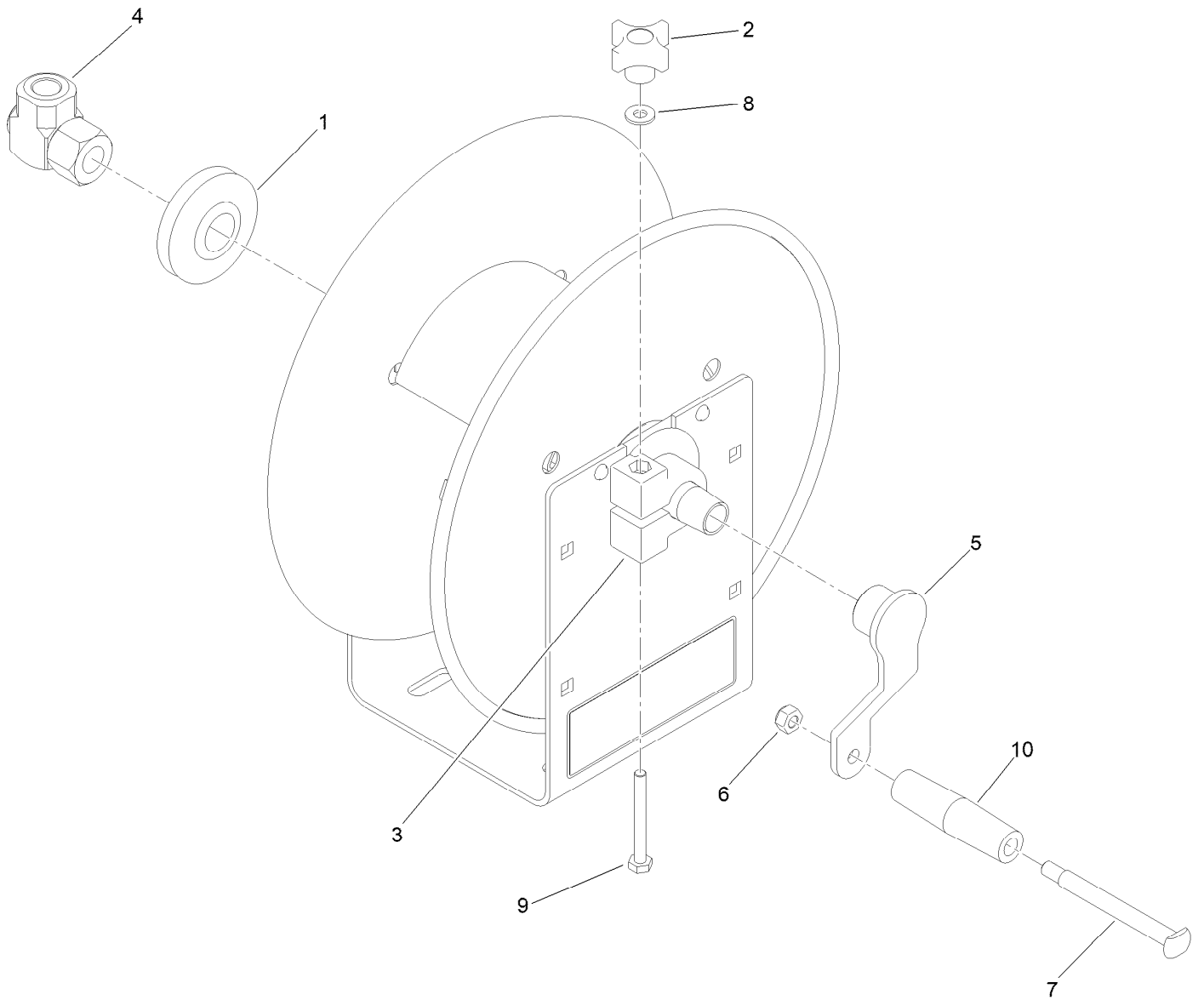
Hose Reel Assembly



Hose Reel Assembly (continued)

<i>Ref.</i>	<i>Part Number</i>	<i>Qty.</i>	<i>Description</i>	<i>Ref.</i>	<i>Part Number</i>	<i>Qty.</i>	<i>Description</i>
1	135-5787	1	Reel-Hose	9	135-5773	1	Gun-Spray, Spot
2	135-5794	1	Hose-Spray, 75'	10	135-5778	1	Tip-Spray, #12 Spot
3	135-6271	4	Screw-Carriage	11	1-513200	2	Fitting, Male
4	135-6110	6	Nut-Hex Flange	12	135-5757	3	Clamp-Oetiker, 167
5	HDW05849	2	HHCS, 3/8-16X2-1/2, ST/ST 18-8	13	135-7369	1	Hose-Spray
6	135-5661	1	Holder-Tool, Clip	14	142-6900	1	ASM-Reel Mount
7	135-6374	1	Screw-HSBH	15	142-7884	1	Guide-Hose, Reel
8	135-6342	1	Nut-Hex Flange	16	126-0695	2	Screw-CARR
				17	135-6109	2	Nut-Hex Flange

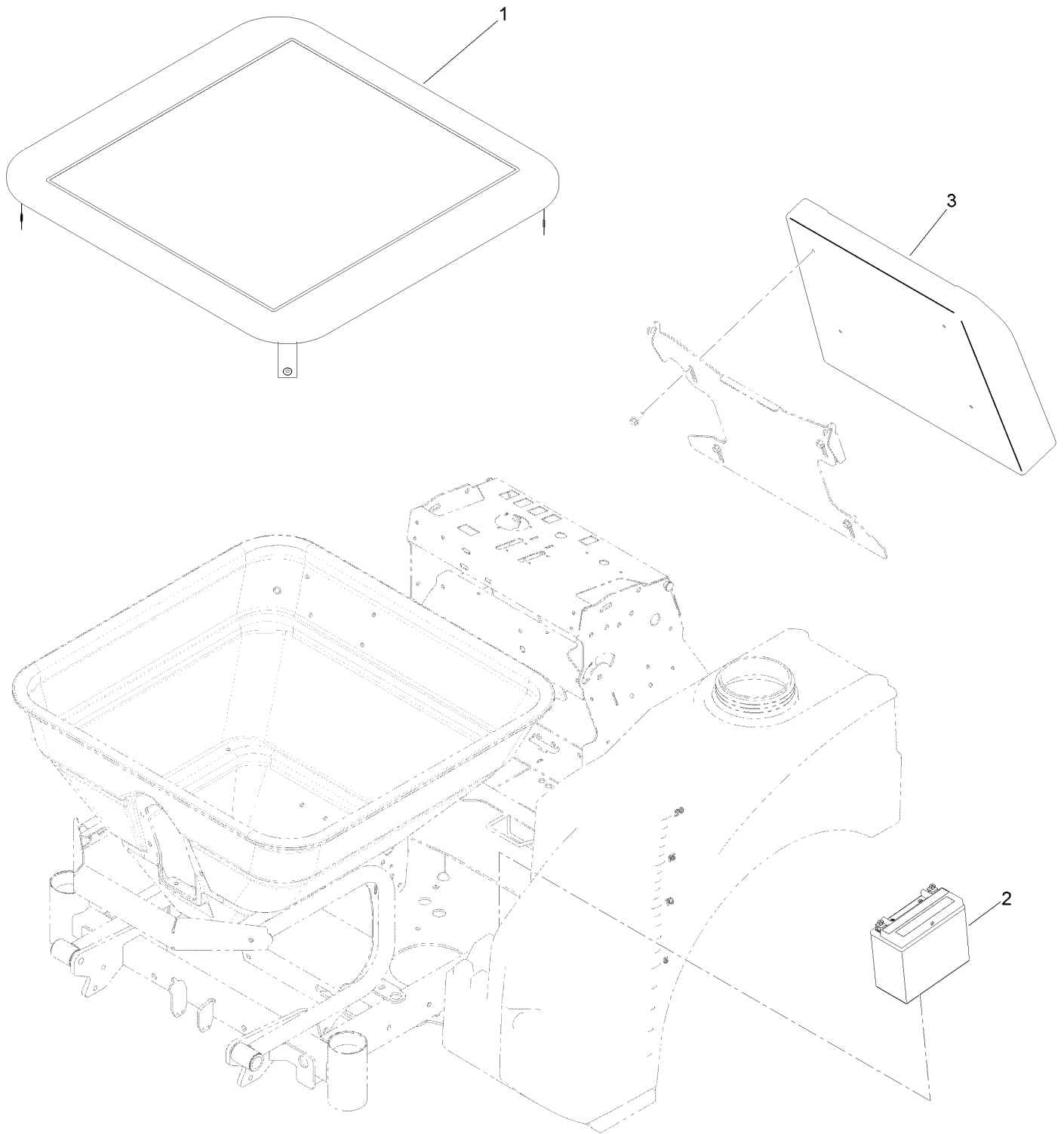
Hose Reel Assembly No. 135-5787



Hose Reel Assembly No. 135-5787 (continued)

<i>Ref.</i>	<i>Part Number</i>	<i>Qty.</i>	<i>Description</i>	<i>Ref.</i>	<i>Part Number</i>	<i>Qty.</i>	<i>Description</i>
1	135-8439	1	Plastic Bearing	6	119-4038	1	Nut-Hex
2	135-8437	1	Hose Reel Brake Knob	7	135-8436	1	Bolt, Hose Reel Handle
3	135-8438	1	Brake/Bearing 6329-1-1	8	120-9679	1	Washer-Flat
4	135-8421	1	Swivel 3/8" Npt	9	321-18	1	Screw-HH
5	135-6011	1	Crank-Reel	10	135-8433	1	Handle ,Hose Reel

Hopper Cover, Knee Pad and Battery Assembly



Hopper Cover, Knee Pad and Battery Assembly (continued)

<i>Ref.</i>	<i>Part Number</i>	<i>Qty.</i>	<i>Description</i>
1	146-0138	1	Cover-Hopper
2	142-7345	1	Battery-Agm
3	142-7621	1	Pad-Knee

Attachments and Accessories

For 34242 46in Sprayer SprayMaster

Product Name	Model/Part
Wide Application Nozzle Kit	142-5488
Foam Marker Kit	142-7070
30 Gallon Auxiliary Tank Kit, 46in or 52in SprayMaster	146-0600
7 Gallon Isolated Tank Kit, 46in or 52in SprayMaster	146-0602
7 Gallon Auxiliary Tank Kit, 46in or 52in SprayMaster	146-0603
Pump Kit, 7 Gallon	142-7879
Light Kit.....	142-7876
Vibratory Motor	142-7877
Dual Pump Kit.....	142-8700
Tip-Spray, 015	142-3306
Tip-Spray, 02	142-3307
Tip-Spray, 025	142-3308
Tip-Spray, 03	142-3309
Tip-Spray, 04	142-3310
Tip-Spray, 05	142-3311
Tip-Spray, 06	142-3312
Tip, Teejet Light Blue	135-8413
Nozzle.....	117-5839
Tip-Spray, XRC11020	146-0633
5 PSI Check ValveN11750-PP-5.....	135-8385

Notes:



Count on it.