



**Count on it.**

**Parts Catalog**

**52in Sprayer  
SprayMaster Max**

Model No. 34240—Serial No. 400000000 and Up



# Ordering Replacement Parts

To order replacement parts, please supply the part number, the quantity, and the description of each part desired.

## Understanding Reference Numbers

Each identified part in an illustration has a reference number. The reference number for a part also appears in the parts list, along with other information about the part.

This catalog uses two special reference number formats, one to indicate parts in a service assembly and another to indicate the quantity of a given part in an illustration.

## Service Assembly Reference Numbers

Parts in service assemblies have reference numbers in the form a:b. The a represents the reference number of the entire service assembly and the b represents a sequential number unique to each part within the service assembly.

For example, a wheel assembly might be identified by reference number 6, the tire by 6:1, the valve by 6:2, and the wheel by 6:3. When you order the assembly identified by reference number 6, you receive all parts identified by reference numbers 6:1, 6:2, and 6:3. However, you may also order any part individually. Reference numbers of this type appear in illustration and in parts lists.

## Reference Numbers Indicating Quantity

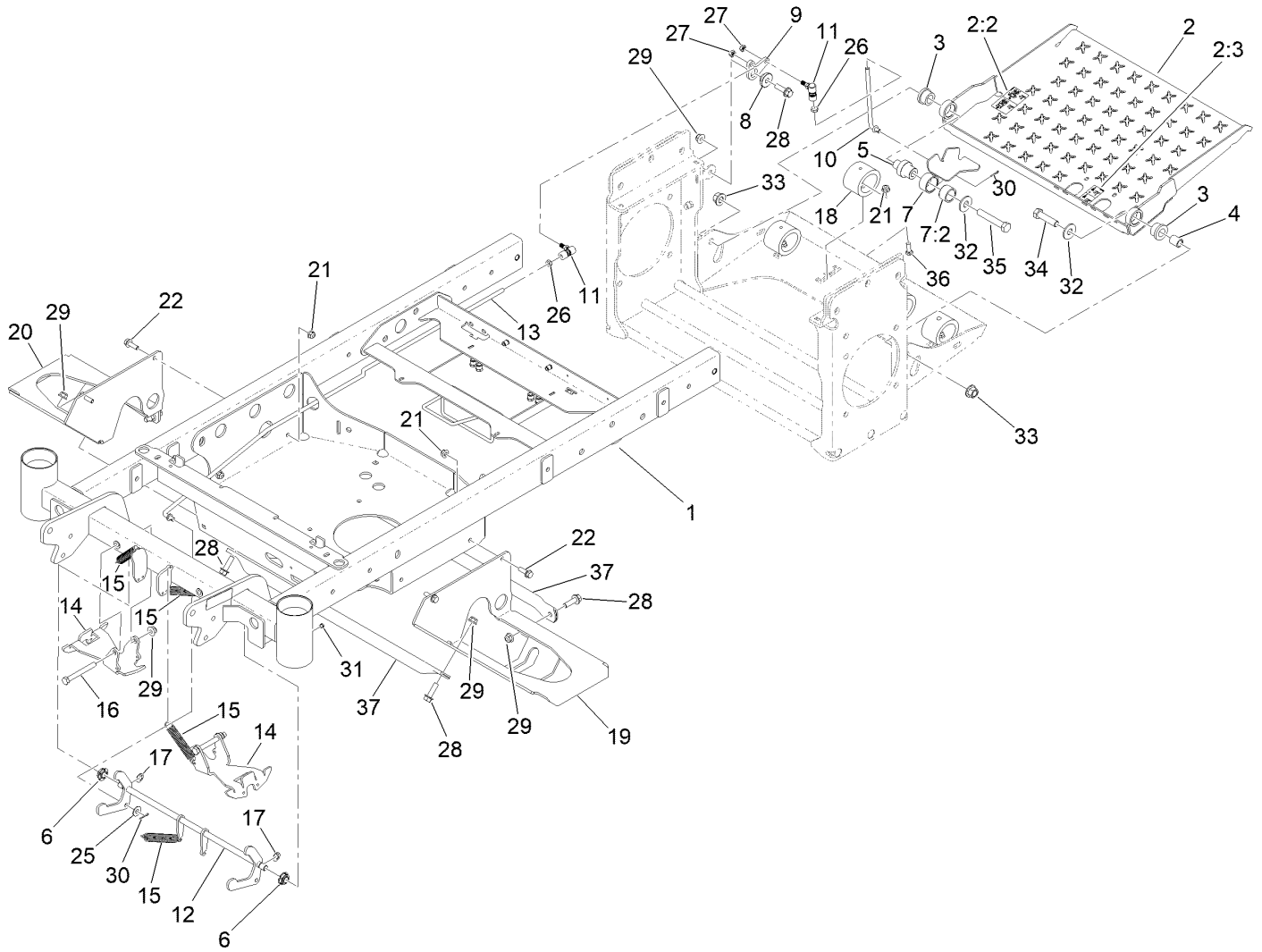
In an illustration, if a reference number indicates more than one part, the reference number has the form nX y. The n represents the quantity of the part, the X is the multiplication symbol, and the y represents the reference number.

For example, in an illustration, the reference number 2X 37 means that two of the parts identified by reference number 37 are indicated.

# Contents

Frame Assembly	4
Main Frame Assembly No. 142-7523	6
Engine Assembly	8
Hydraulic Transmission Assembly	10
Pump Idler Assembly No. 142-8915	12
Expansion Hose Assembly No. 142-7303	14
Brake Assembly	16
Electrical Assembly	18
Wire Harness Assembly No. 142-5493	20
Foot Switch Assembly	22
Controls Assembly	24
Tire Assembly	26
Caster Wheels Assembly	28
Fuel Tank Assembly	30
Fuel Tank Assembly No. 142-7602	32
Spreader Assembly	34
Hopper Motor Assembly	36
Hopper Console Assembly	38
Sprayer Tanks Assembly	40
Sprayer Manifold Assembly No. 142-7050	42
Boom Assembly	44
Pump Assembly	46
Hose Reel Assembly	48
Hose Reel Assembly No. 135-5787	50
Hopper Cover, Knee Pad and Battery Assembly	52
Attachments and Accessories	54

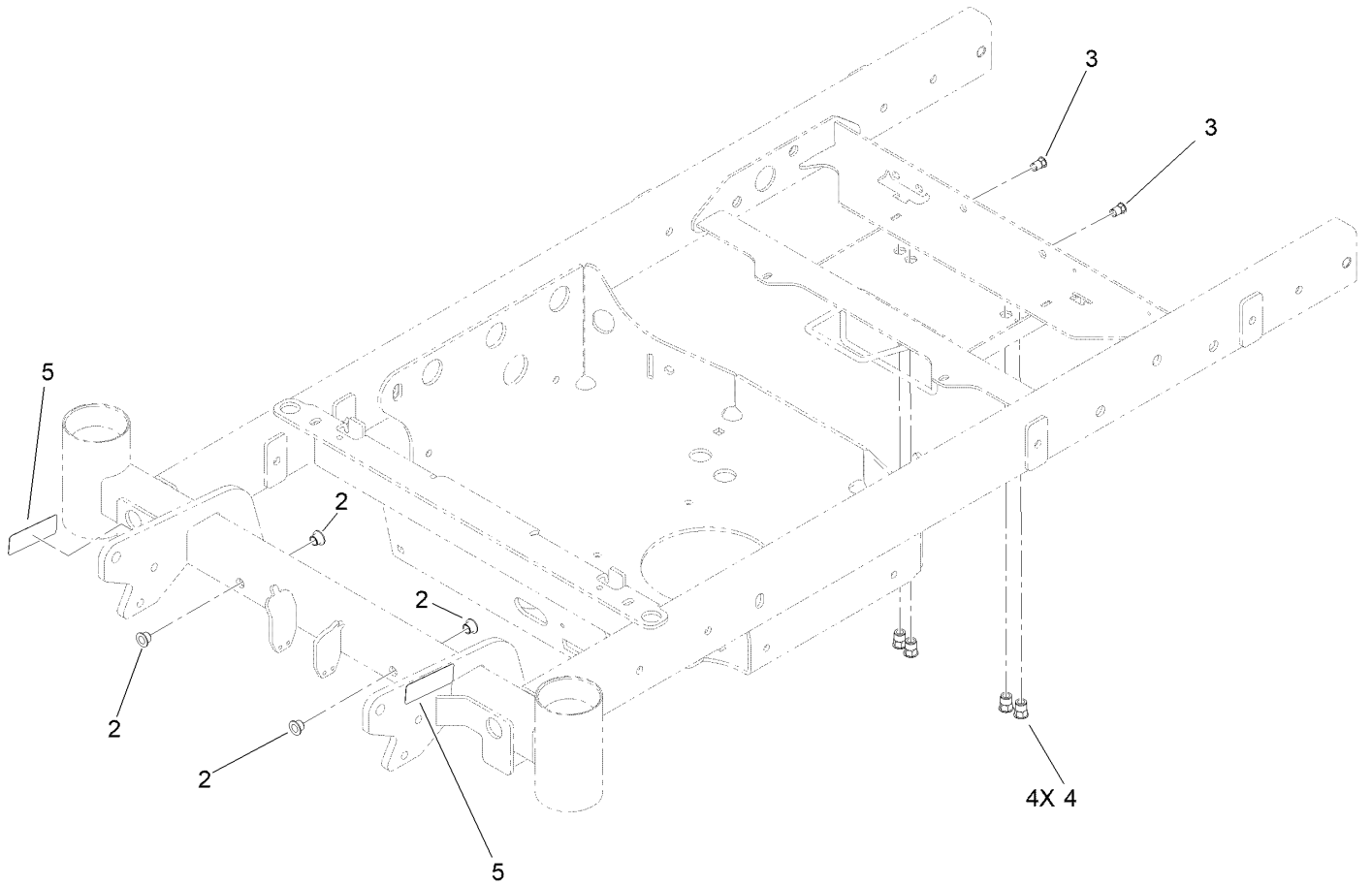
# Frame Assembly



## Frame Assembly (continued)

<i>Ref.</i>	<i>Part Number</i>	<i>Qty.</i>	<i>Description</i>	<i>Ref.</i>	<i>Part Number</i>	<i>Qty.</i>	<i>Description</i>
1	142-7523	1	Frame-Main	18	135-2548	5	Bumper-Isolator
2	142-6877	1	Foot Plate W/Decals	19	142-3868	1	Mount-Tank, Lower Lt
2:2	135-6728	1	Decal-Button, Foot (Spray)	20	142-3870	1	Mount-Tank, Lower Rt
2:3	135-6430	1	Decal-Lock, Caster	21	135-6109	9	Nut-Hex Flange
3	142-6033	2	Bushing-Rubber	22	135-6272	4	Screw-HHF
4	142-6034	1	Spacer	25	HDW14535	1	Flat Washer, 5/16 Nom,ST/ST,18-8
5	142-6878	1	Pivot-Pedal, Caster	26	107-0282	2	Nut-Hex
6	126-5820	2	Bearing-Spherical	27	142-5498	2	Nut-Lock, NI
7	142-4222	1	Pedal-Lock, Caster	28	135-6211	5	Screw-HHF
7:2	116-9538	1	Bushing	29	135-6110	7	Nut-Hex Flange
8	126-5989	1	Pivot-Flange	30	HDW14430	2	Cotter Pin 5/64X3/4 18-8
9	142-3960	1	Crank-Deflector	31	1-811010	2	Plug
10	142-6879	1	Linkage-Pedal, Caster	32	3256-6	2	Washer-Flat
11	135-5718	2	Ball Joint-Quick Disconnect, SS	33	99-5107	2	Nut-Lock
12	142-4074	1	Crank-Lock, Caster	34	325-8	1	Screw-HH
13	142-4166	1	Linkage-Lock, Caster	35	325-12	1	Screw-HH
14	142-4431	2	Arm-Lock, Caster	36	HDW17294	5	Bolt,Carriage,5/16-18X1,ST/ST 18-8
15	126-2127	4	Spring-Extension	37	142-5579	2	Tube-Support, Lower
16	126-2661	2	Screw-HH				
17	142-4698	2	Ring-E				

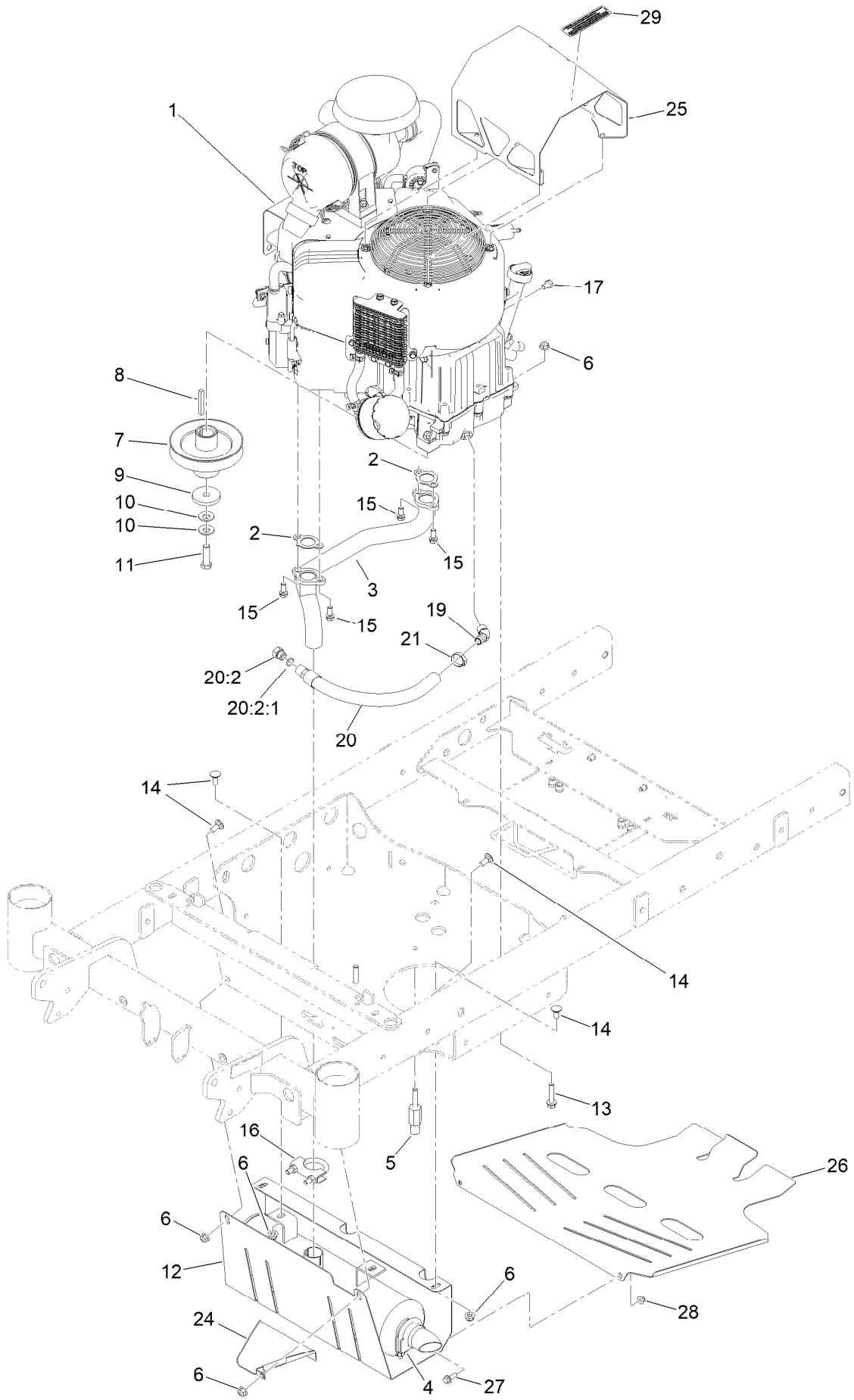
# Main Frame Assembly No. 142-7523



# Main Frame Assembly No. 142-7523 (continued)

<i>Ref.</i>	<i>Part Number</i>	<i>Qty.</i>	<i>Description</i>	<i>Ref.</i>	<i>Part Number</i>	<i>Qty.</i>	<i>Description</i>
2	137-2374	4	Bushing-Flange	4	142-7574	4	Nut-Clinch,Hex
3	138-2760	2	Nut-Clinch, Hex	5	120-0625	2	Decal-Warning

# Engine Assembly





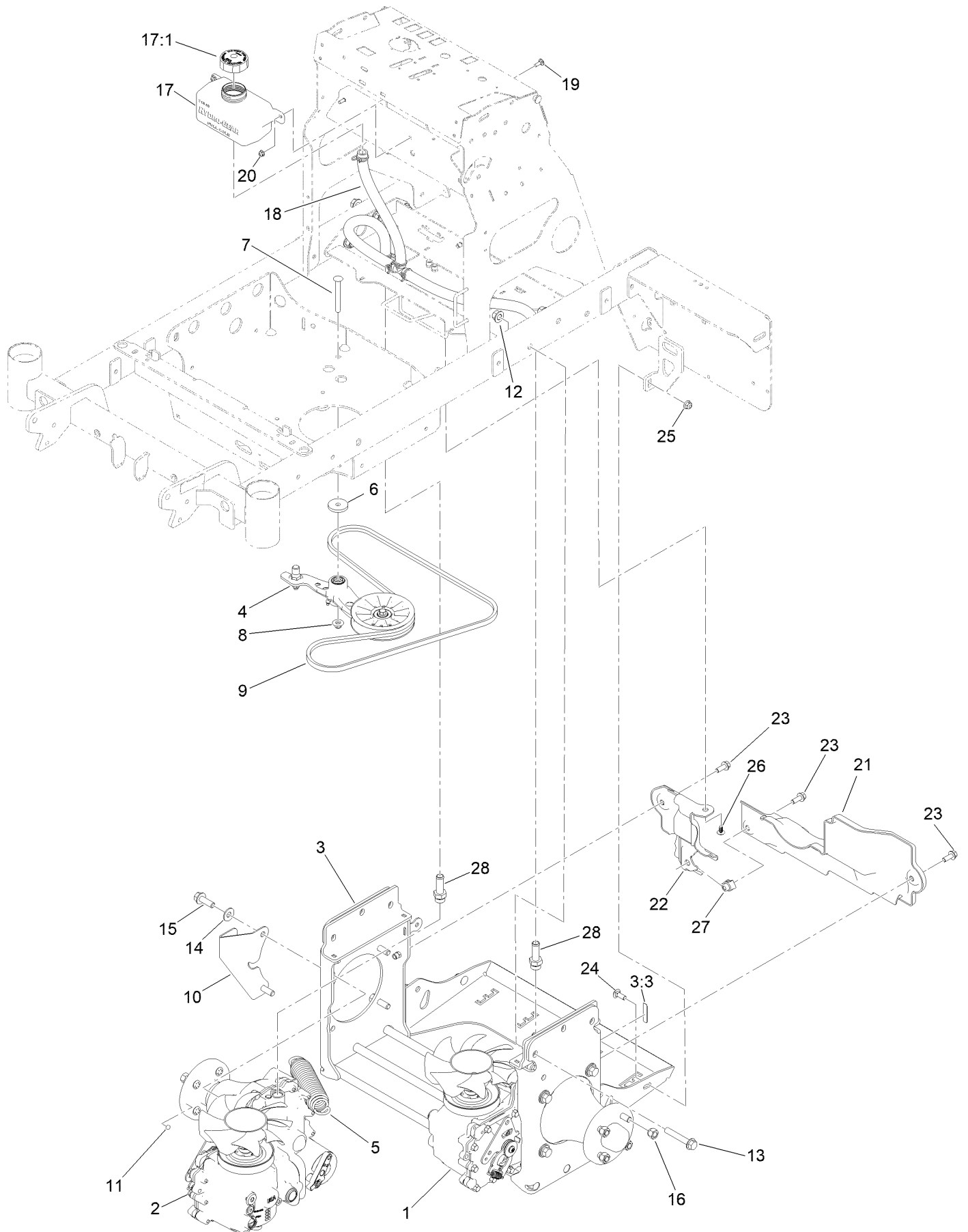
## Engine Assembly (continued)

<i>Ref.</i>	<i>Part Number</i>	<i>Qty.</i>	<i>Description</i>	<i>Ref.</i>	<i>Part Number</i>	<i>Qty.</i>	<i>Description</i>
1		1	Engine-Vanguard, 21HP Vert. ●■	15	3274-96	4	Screw-HSBH
2	94-3449	2	Gasket-Manifold, Exhaust	16	2112-11	1	Clamp-Muffler
3	142-5567	1	Manifold-Muffler	17	48-7680	1	Screw-HH
4	142-5566	1	Muffler	19	116-2570	1	Elbow
5	142-3849	1	Pin-Spring Anchor	20	142-6685	1	Oil Drain Hose W/Plug
6	135-6109	10	Nut-Hex Flange	20:2	353-508	1	Plug-HH
7	142-3845	1	Pulley-Engine	20:2:1	237-42	1	O-Ring
8	103-4177	1	Key	21	135-5692	1	Clamp-Oetiker, 167
9	109-6919	1	Washer-Clutch	24	142-7578	1	Plate-Pan, Oil
10	1-603610	2	Washer-Spring	25	142-7868	1	Cover-Engine
11	109-9761	1	Screw-HH	26	146-0152	1	Pan-Belly
12	142-3842	1	Guard-Muffler	27	135-6221	2	Screw-HHF
13	142-0559	3	Screw-HHF	28	135-6108	2	Nut-Hex Flange
14	126-0695	6	Screw-CARR	29	133-8062	1	Decal-Arrestor, Spark

● Not serviced separately

■ Obtain parts from [www.briggsandstratton.com](http://www.briggsandstratton.com)

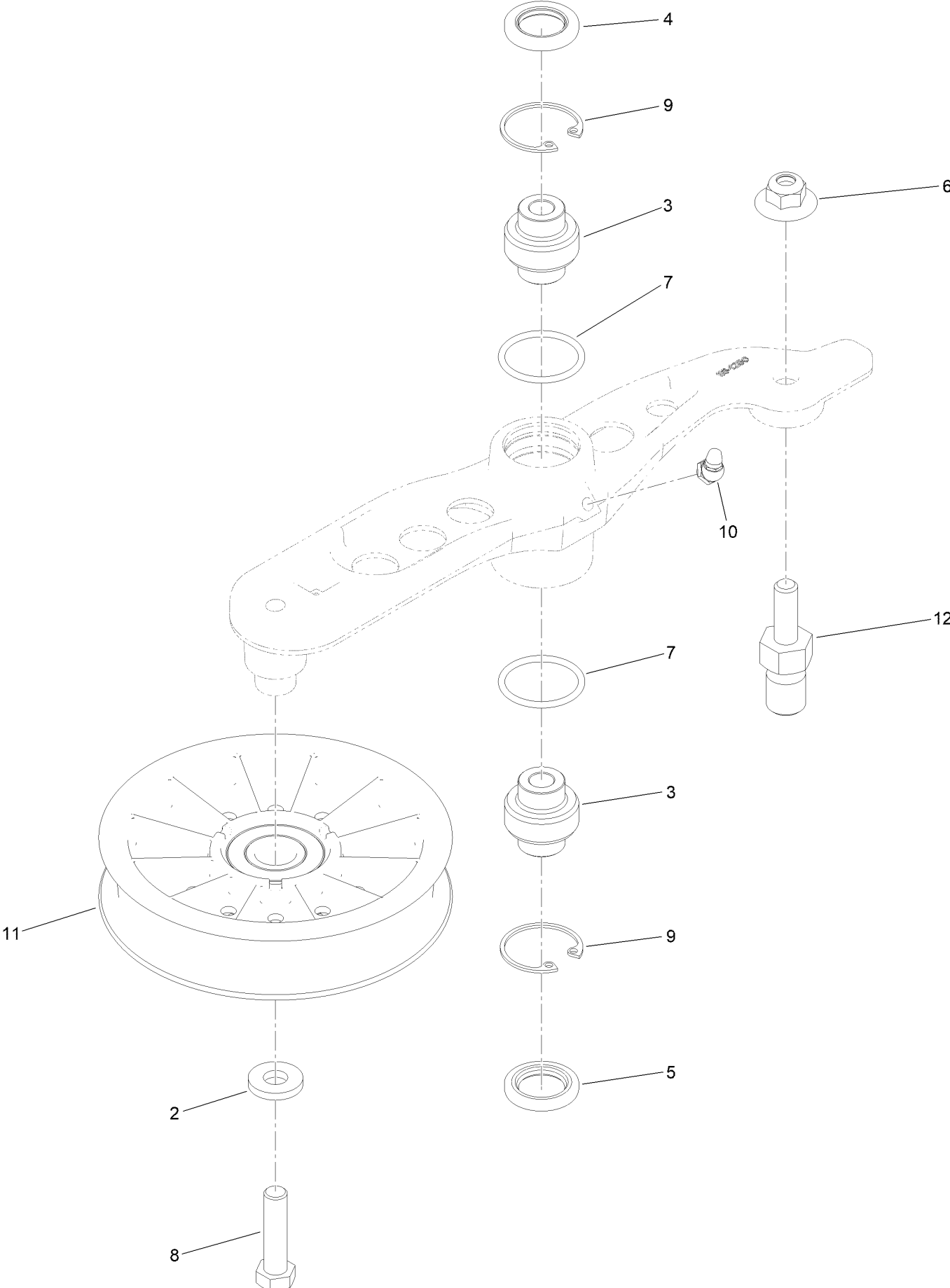
# Hydraulic Transmission Assembly



## Hydraulic Transmission Assembly (continued)

<i>Ref.</i>	<i>Part Number</i>	<i>Qty.</i>	<i>Description</i>	<i>Ref.</i>	<i>Part Number</i>	<i>Qty.</i>	<i>Description</i>
1	142-4466	1	Zt5400-Left	16	242-50	8	Nut-Lug
2	142-4467	1	Zt5400-Right	17	119-9908	1	Hydraulic Reservoir ASM
3	142-7500	1	Frame-ASM, Zt5400	17:1	109-3320	1	Cap-Reservoir, HYD
3:3	120-9570	1	Decal-Warning	18	142-7303	1	ASM-Hose, Expansion
4	142-8915	1	ASM-Pump Idler	19	HDW20143	2	Bolt, Carriage, 1/4-20X3/4, ST/ST
5	116-6317	1	Spring-Extension	20	135-6108	2	Nut-Hex Flange
6	110-9981	1	Washer-Plain	21	142-8956	1	Cover-Rear, Lt
7	116-1502	1	Bolt-Shoulder, Carriage	22	142-8957	1	Cover-Rear, Rt
8	109-6658	1	Nut-Flange, NI	23	135-6208	3	Screw-HHF
9	142-9347	1	Belt-V, Cogged	24	126-0980	2	Screw-CARR
10	142-4446	1	Bracket-Sensor, Speed	25	135-6110	2	Nut-Hex Flange
11	135-8903	1	Magnet-Speedometer	26	117-2382	1	Plug-Plastic
12	99-5107	6	Nut-Lock	27	105-4886	1	Nut-Tinnerman
13	3234-40	6	Screw-HF	28	142-7584	2	Fitting-Straight, 5/8 Hose Barb
14	109-9505	8	Washer-Spring				
15	100-6116	8	Screw-HHF				

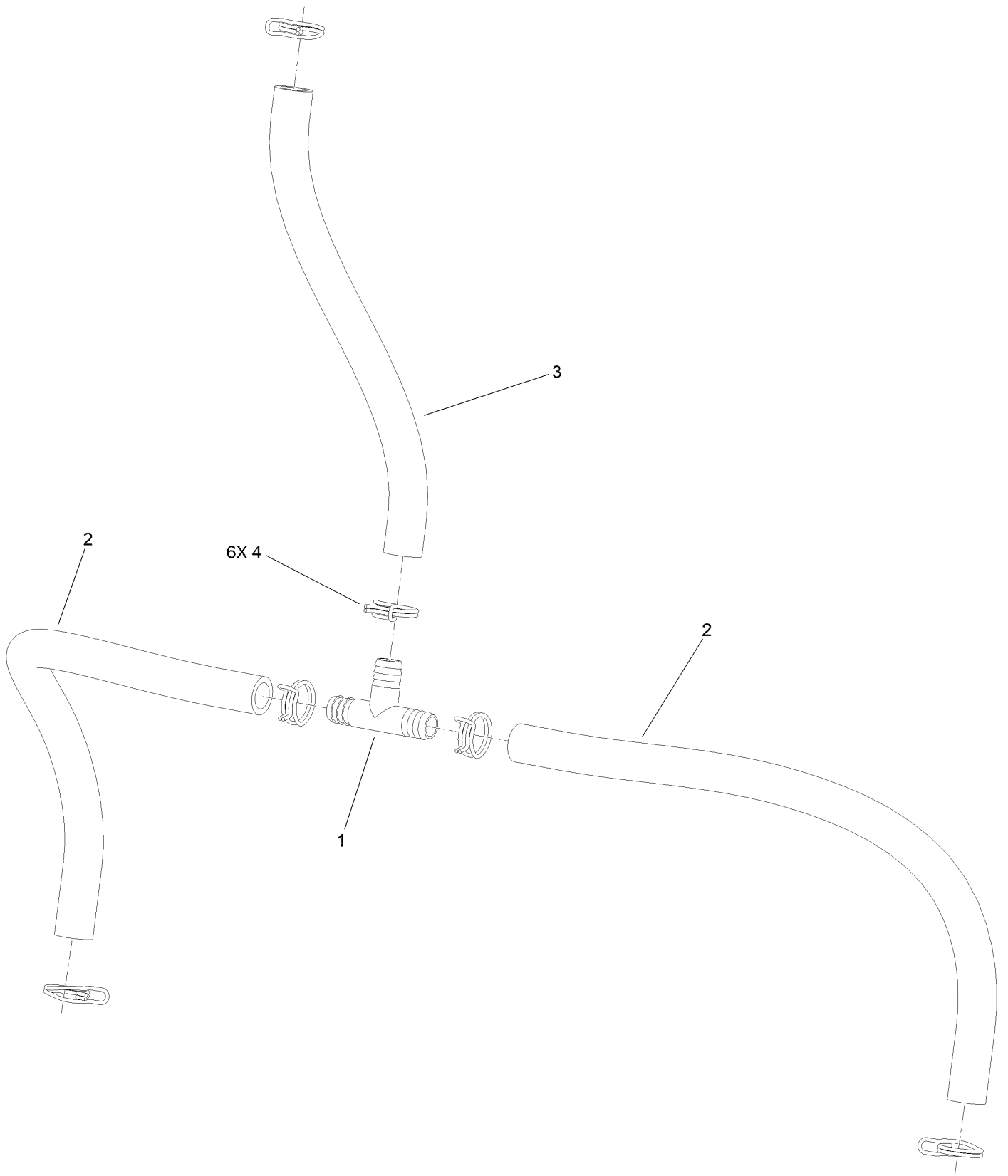
# Pump Idler Assembly No. 142-8915



## Pump Idler Assembly No. 142-8915 (continued)

<i>Ref.</i>	<i>Part Number</i>	<i>Qty.</i>	<i>Description</i>	<i>Ref.</i>	<i>Part Number</i>	<i>Qty.</i>	<i>Description</i>
2	43-0940	1	Spacer	8	323-8	1	Screw-HH
3	103-3504	2	Bearing-Spherical	9	32120-10	2	Ring-Snap
4	103-3505	1	Seal-Lip, Double	10	302-61	1	Fitting-Grease
5	103-3506	1	Seal-Lip, Single	11	109-8076	1	Pulley-Idler
6	109-6658	1	Nut-Flange, NI	12	132-4724	1	Pin-Anchor, Spring
7	106-7159	2	O-Ring				

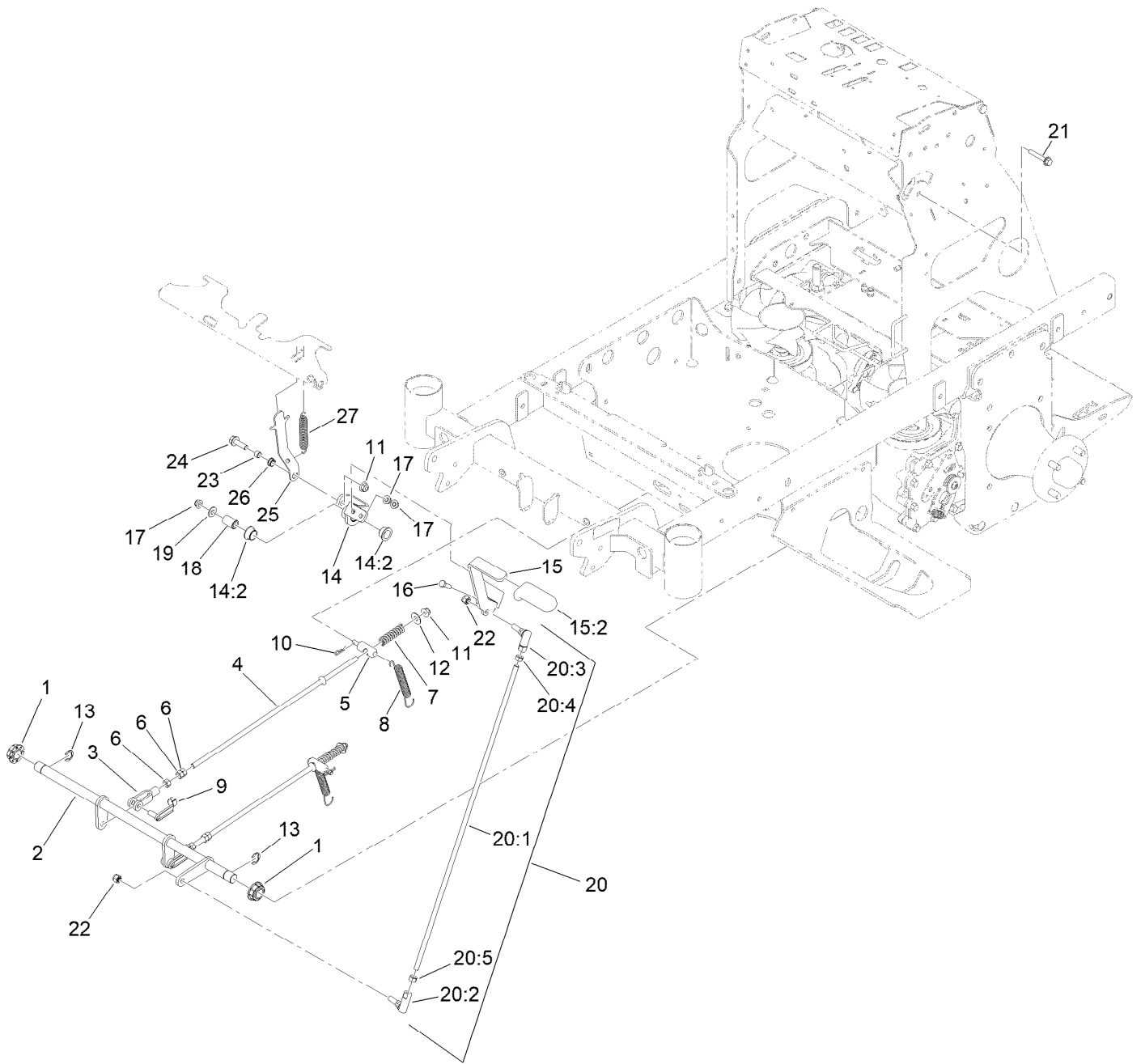
# Expansion Hose Assembly No. 142-7303



# Expansion Hose Assembly No. 142-7303 (continued)

<i>Ref.</i>	<i>Part Number</i>	<i>Qty.</i>	<i>Description</i>	<i>Ref.</i>	<i>Part Number</i>	<i>Qty.</i>	<i>Description</i>
1	132-5127	1	Tee	3	142-7305	1	Hose-Upper, 5/8 ID
2	142-7304	2	Hose-Lower, 5/8 ID	4	140-4908	6	Clamp-Hose

# Brake Assembly



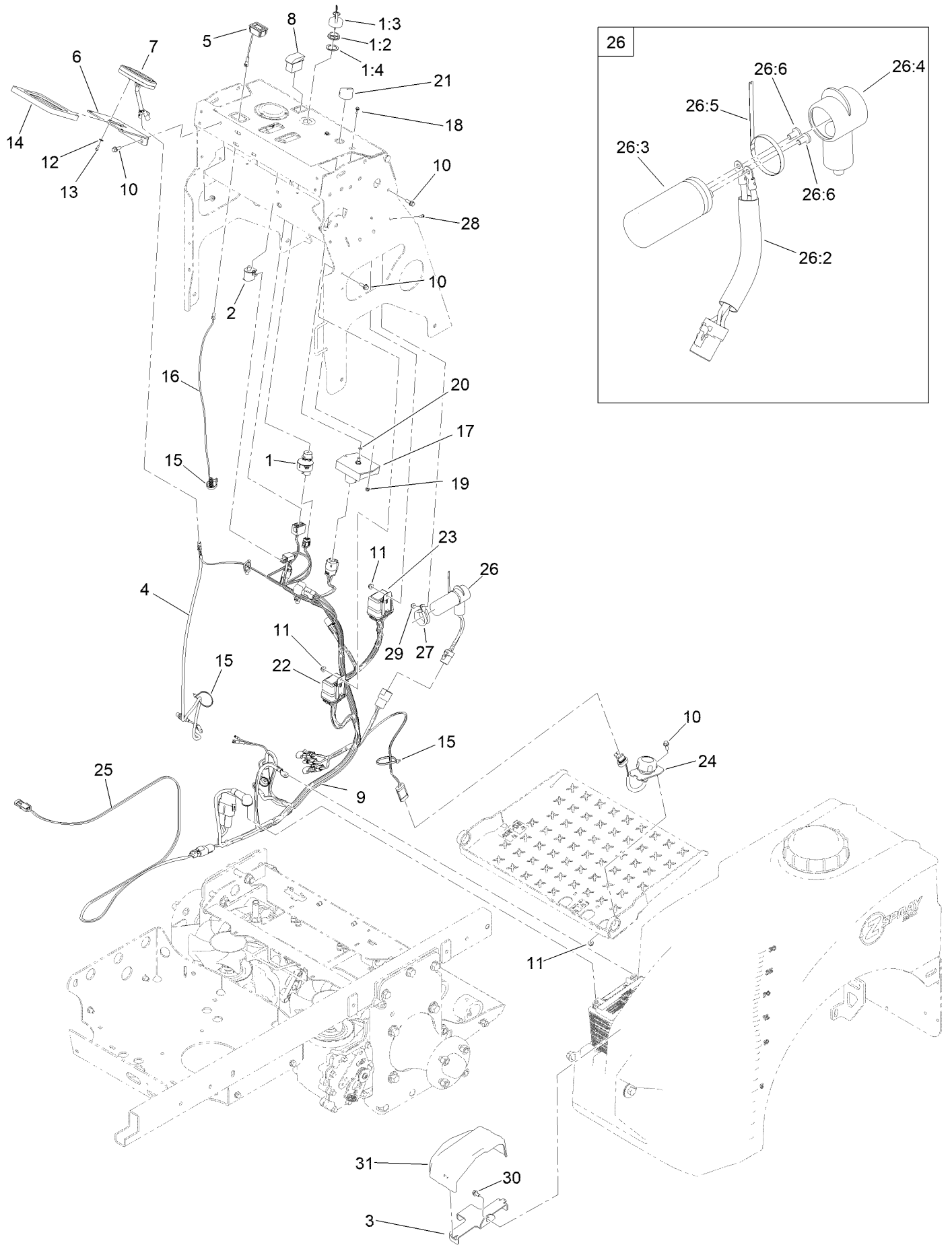


## Brake Assembly (continued)

<i>Ref.</i>	<i>Part Number</i>	<i>Qty.</i>	<i>Description</i>	<i>Ref.</i>	<i>Part Number</i>	<i>Qty.</i>	<i>Description</i>
1	142-4668	2	Bearing-Spherical	17	135-6109	3	Nut-Hex Flange
2	142-3832	1	Brake ASM	18	142-3879	1	Spacer-Brake, Linkage
3	1-633131	2	Yoke-Linkage, Brake	19	HDW14535	1	Flat Washer, 5/16 Nom,ST/ST,18-8
4	142-3860	2	Rod-Brake	20		1	Linkage-Brake ●
5	142-3859	2	Fitting-Rod, Brake	20:1	142-3876	1	Rod-Brake, Linkage
6	126-0687	6	Nut-Hex	20:2	135-7739	1	Ball Joint-SS
7	142-3901	2	Spring-Compression	20:3	135-7740	1	Ball Joint-SS
8	142-3902	2	Spring-Extension	20:4	126-0688	1	Nut-Hex, LH
9	103-2399	2	Pin-Spring, Clevis	20:5	126-0687	1	Nut-Hex
10	1-806003	2	Pin-Cotter	21	126-2711	1	Screw-HHF
11	135-6110	3	Nut-Hex Flange	22	135-7741	2	Nut-Hex, NI
12	1126	2	Washer-Flat	23	142-7468	1	Spacer-Brake Pivot
13	142-4693	2	Retainer, E-Ring	24	135-6211	1	Screw-HHF
14	142-5500	1	Handle-Brake, ASM	25	142-6701	1	Link-Brake Control Lock
14:2	109-8054	2	Bushing-Flange	26	116-1393	1	Bushing
15	142-6870	1	ASM-Handle, W/ Grip	27	132-6915	1	Spring-Extension
15:2	1-633268	1	Grip-Lever				
16	126-0683	2	Screw-HH				

● Not serviced separately

# Electrical Assembly



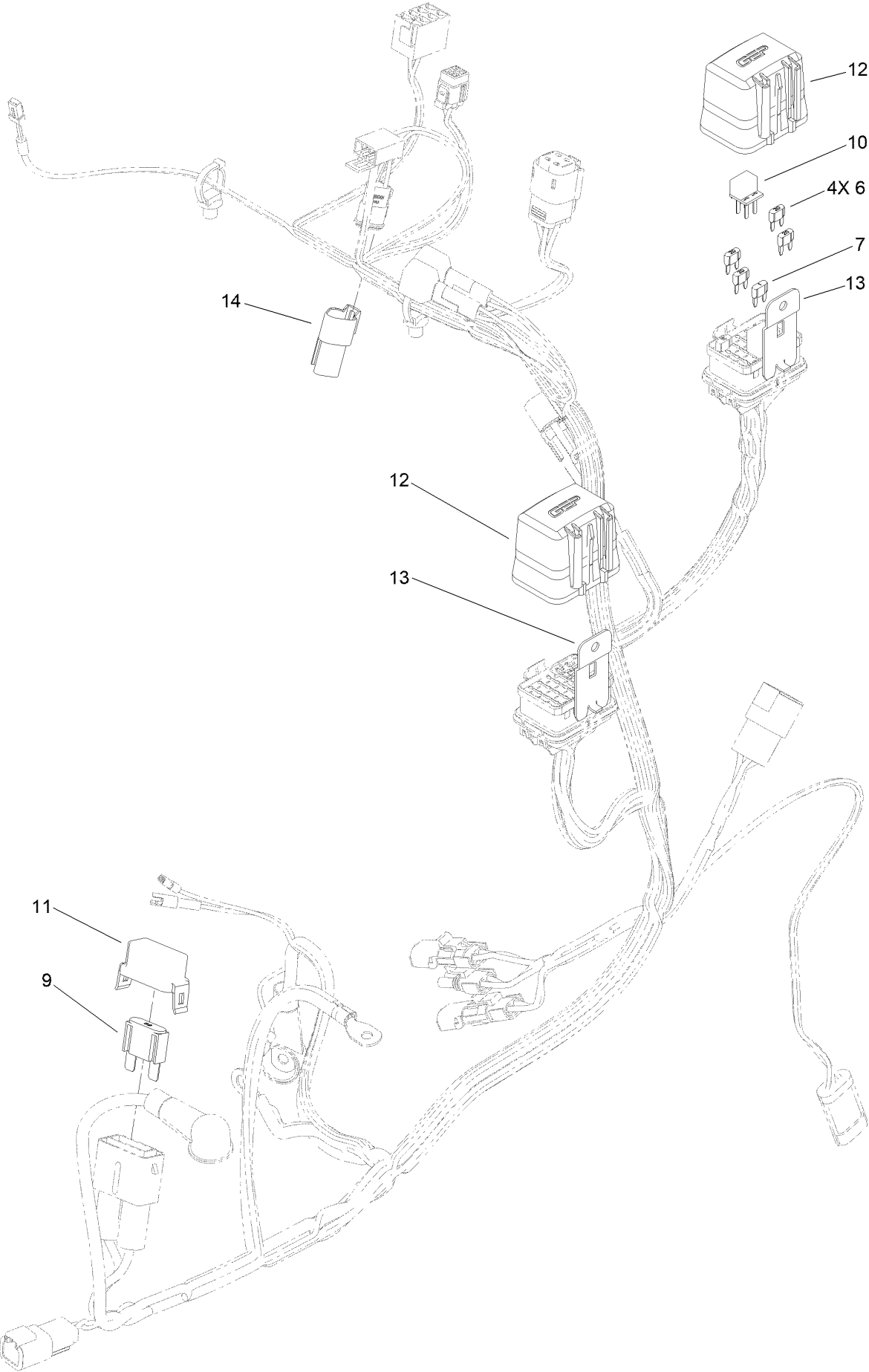
## Electrical Assembly (continued)

<i>Ref.</i>	<i>Part Number</i>	<i>Qty.</i>	<i>Description</i>	<i>Ref.</i>	<i>Part Number</i>	<i>Qty.</i>	<i>Description</i>
1	126-6285	1	Ignition Switch ASM	19	520-0006	2	Nut-Hex, Nylock
1:2	108-8660	1	Nut-Mounting	20	360-0497	1	O-Ring
1:3	106-5270	1	Ignition Key Set	21	142-7061	1	Knob-Indicating
1:4	108-8659	1	Washer-Backup	22	142-8081	1	Decal-Fuse,Solid State
2	82-2190	1	Switch-Bail	23	142-8079	1	Decal-Fuse,Main
3	142-7882	1	Strap-Battery	24		1	Switch-Foot ■
4	135-8898	1	Cable-Sensor, Trail Tech	25	142-7224	1	Harness-Spreader Motor
5	135-5259	1	Meter-Tach/Hour	26	142-9333	1	Harness-Capacitor
6	142-5553-05	1	Mount-Display	26:2	32180-213	1	Tubing, Conv, 5/8", Hi Temp, Uv Inhibit
7	135-8900	1	Striker-Head Only	26:3	142-8083	1	Capacitor 36000Uf 40V
8	100-8469	1	Switch-Rocker	26:4	142-9340	1	Boot-Capacitor
9	142-5493	1	Harness	26:5	32181-017	1	Tie-Stainless
10	135-6221	5	Screw-HHF	26:6	47-2830	2	Screw
11	135-6108	5	Nut-Hex Flange	27	142-8944	1	Clamp-R, Cushion
12	126-0759	2	Washer-Flat	28	135-6374	1	Screw-HSBH
13	135-6357	2	Screw-HSH	29	135-6342	1	Nut-Hex Flange
14	142-6690	1	Pad-Display Mount	30	142-5490	1	Screw-HWH
15	3290-378	3	Tie-Cable	31	146-0151	1	Cover-Battery
16	135-6118	1	Wire-Tachometer	99	135-7317	1	Manual-User, Striker ●
17	142-6905	1	Controller-Motor, Spreader	99	135-7318	1	Card-Striker, Quick Start ●
18	112-3169	2	Screw-HHF, Serrated				

● Not illustrated

■ Not serviced separately

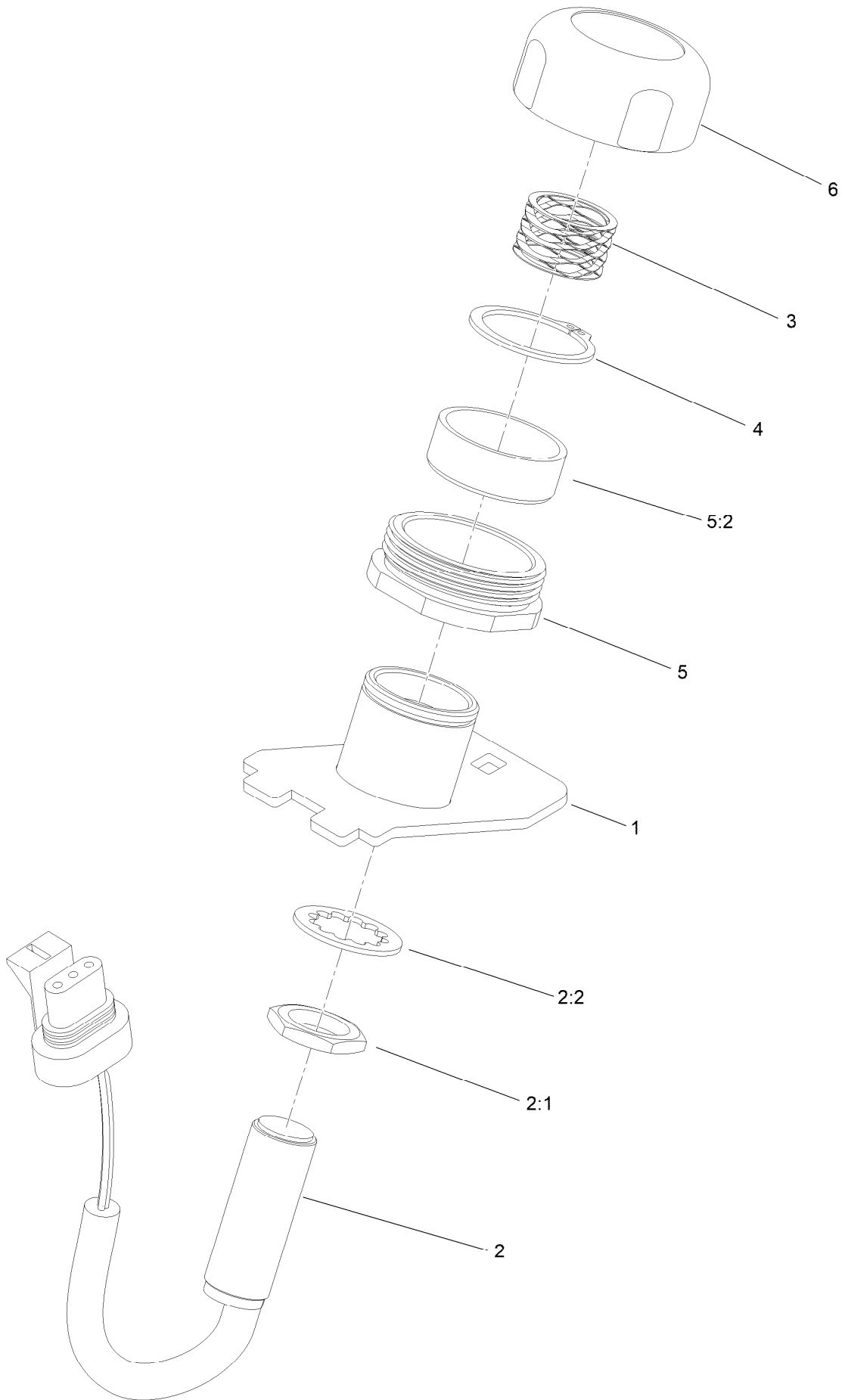
# Wire Harness Assembly No. 142-5493



## Wire Harness Assembly No. 142-5493 (continued)

<i>Ref.</i>	<i>Part Number</i>	<i>Qty.</i>	<i>Description</i>	<i>Ref.</i>	<i>Part Number</i>	<i>Qty.</i>	<i>Description</i>
6	121-8868	4	Fuse-Mini Blade, 20 Amp	11	32181-014	1	Cover-Fuse Holder, Maxi
7	142-5463	1	Fuse-Mini Blade, 1 Amp	12	32181-013	2	Cover-Fuseblock, 24F, Gep
9	114-3342	1	Fuse-Maxi, 60 Amp	13	32180-177	2	Clip-Mounting
10	135-5221	1	Relay-Coil, NC, Mp280	14	32160-205	1	Connector-Deutsch, 3M

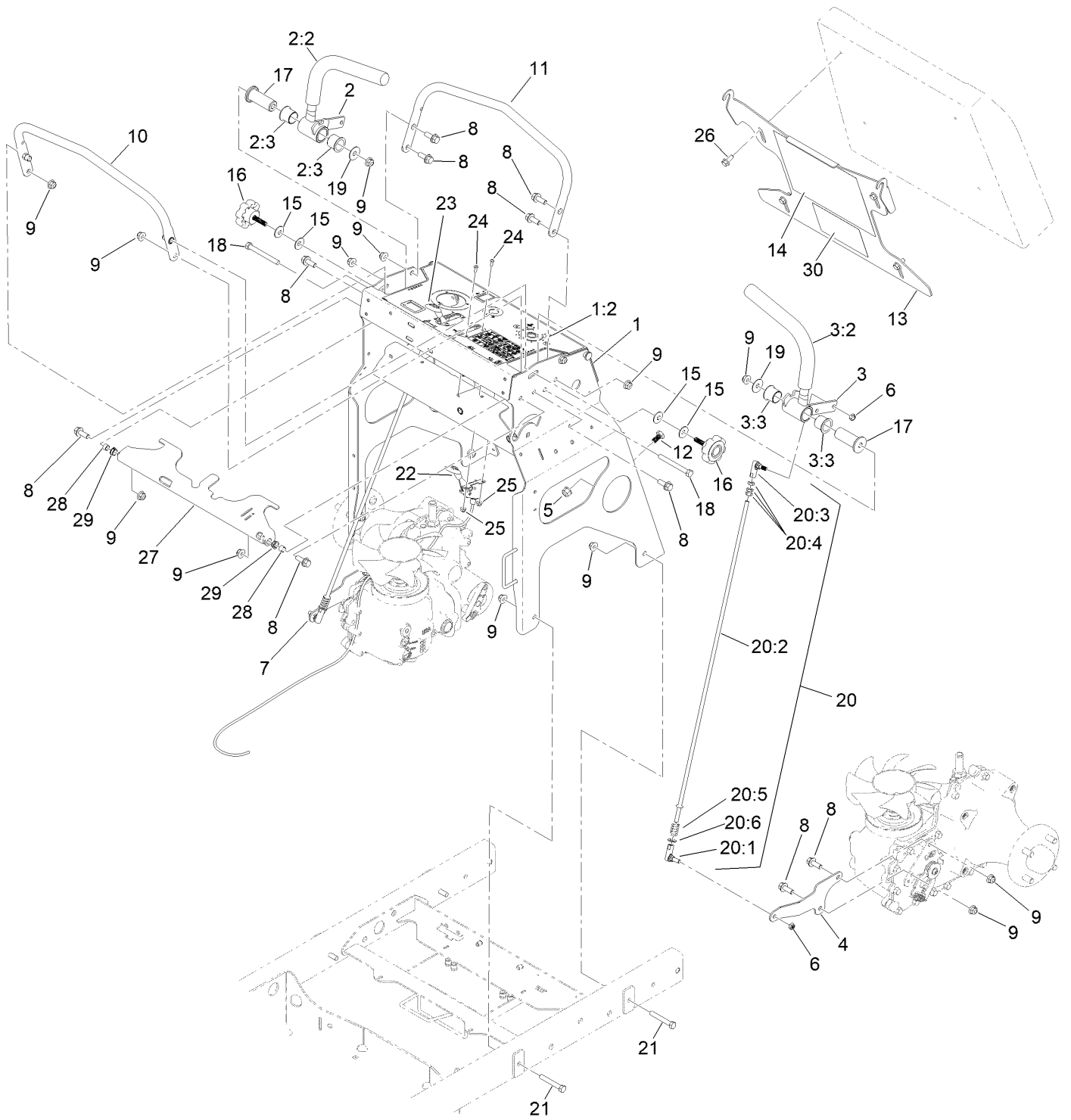
# Foot Switch Assembly



## Foot Switch Assembly (continued)

<i>Ref.</i>	<i>Part Number</i>	<i>Qty.</i>	<i>Description</i>	<i>Ref.</i>	<i>Part Number</i>	<i>Qty.</i>	<i>Description</i>
1	142-9322	1	Mount-Switch, Foot	4	142-9329	1	Ring-Retaining, EXT
2	115-5300	1	Proximity Switch ASM	5	142-9330	1	Guide-Button
2:1	117-3207	2	Nut-Hex	5:2	142-9326	1	Bushing-Sleeve
2:2	117-3208	2	Washer-Lock, Internal Tooth	6	142-9327	1	Button-Foot
3	142-9328	1	Spring-Wave				

# Controls Assembly

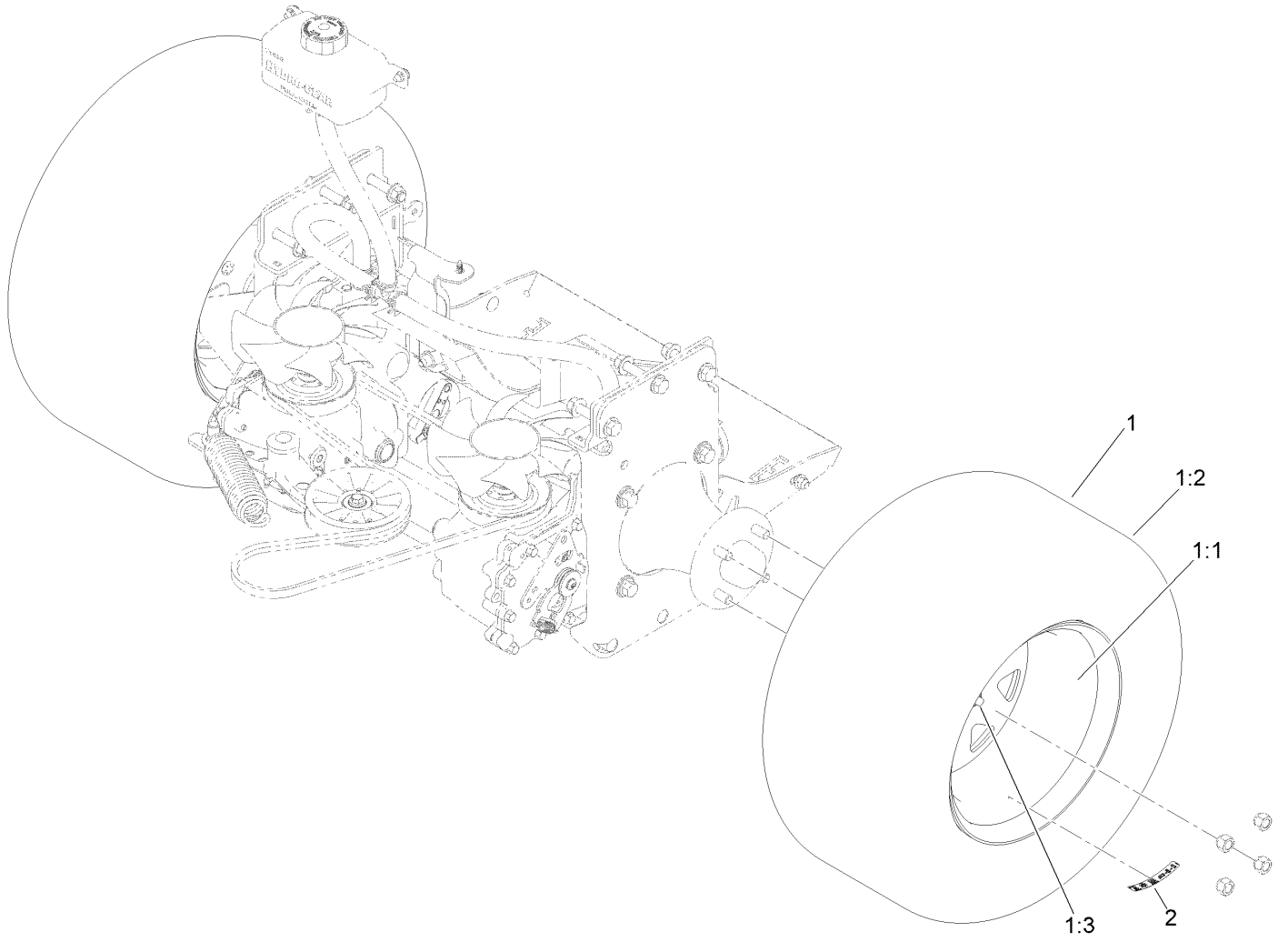




## Controls Assembly (continued)

<i>Ref.</i>	<i>Part Number</i>	<i>Qty.</i>	<i>Description</i>	<i>Ref.</i>	<i>Part Number</i>	<i>Qty.</i>	<i>Description</i>
1	142-7511	1	Tower-ASM W/Decal	18	HDW17725	2	HHCS,3/8-16X3-1/2,ST/ST 18-8
1:2	146-0162	1	Decal-Control Panel	19	HDW19385	2	Washer-Flat
2	142-3696	1	Handle-Control, RH ASM	20	142-4622	2	Linkage-Control ASM
2:2	1-633257	1	Grip-Control, Motion	20:1	135-5257	1	Balljoint-SS
2:3	126-1963	2	Bushing-Pivot	20:2	142-3703	1	Rod-Control, Motion
3	142-3697	1	Handle-Control, LH ASM	20:3	135-9812	1	Balljoint-SS
3:2	1-633257	1	Grip-Control, Motion	20:4	107-0282	3	Nut-Hex
3:3	126-1963	2	Bushing-Pivot	20:5	142-6894	1	Spring-Compression
4	142-3704	1	Plate-Control, LH Rtn	20:6	107-0279	1	Washer
5	103-9511	2	Nut-Lock, NI	21	HDW05849	4	HHCS,3/8-16X2-1/2,ST/ST 18-8
6	142-5498	4	Nut-Lock, NI	22	109-9147	1	Control-Choke
7	142-3733	1	Plate-Control, RH Rtn	23	142-6693	1	Control-Throttle
8	135-6208	12	Screw-HHF	24	135-6374	4	Screw-HSBH
9	135-6110	18	Nut-Hex Flange	25	135-6342	4	Nut-Hex Flange
10	142-7601	1	Bar-Speed, ASM	26	126-2712	4	Screw-HHF
11	142-7600-05	1	Bar-Reference	27	142-9345-03	1	Plate-Lock, Mc
12	142-7585	2	Magnet-Stud, Threaded	28	142-7468	2	Spacer-Brake Pivot
13	142-9348-05	1	Plate-Knee Pad	29	116-1393	2	Bushing
14	146-0776	1	Decal-Spray Chart	30	142-8040	1	Decal-Service Aid
15	3290-461	4	Washer-Spring				
16	142-5494	2	Knob-Fluted				
17	142-4200	2	Pivot-Control, Handle				

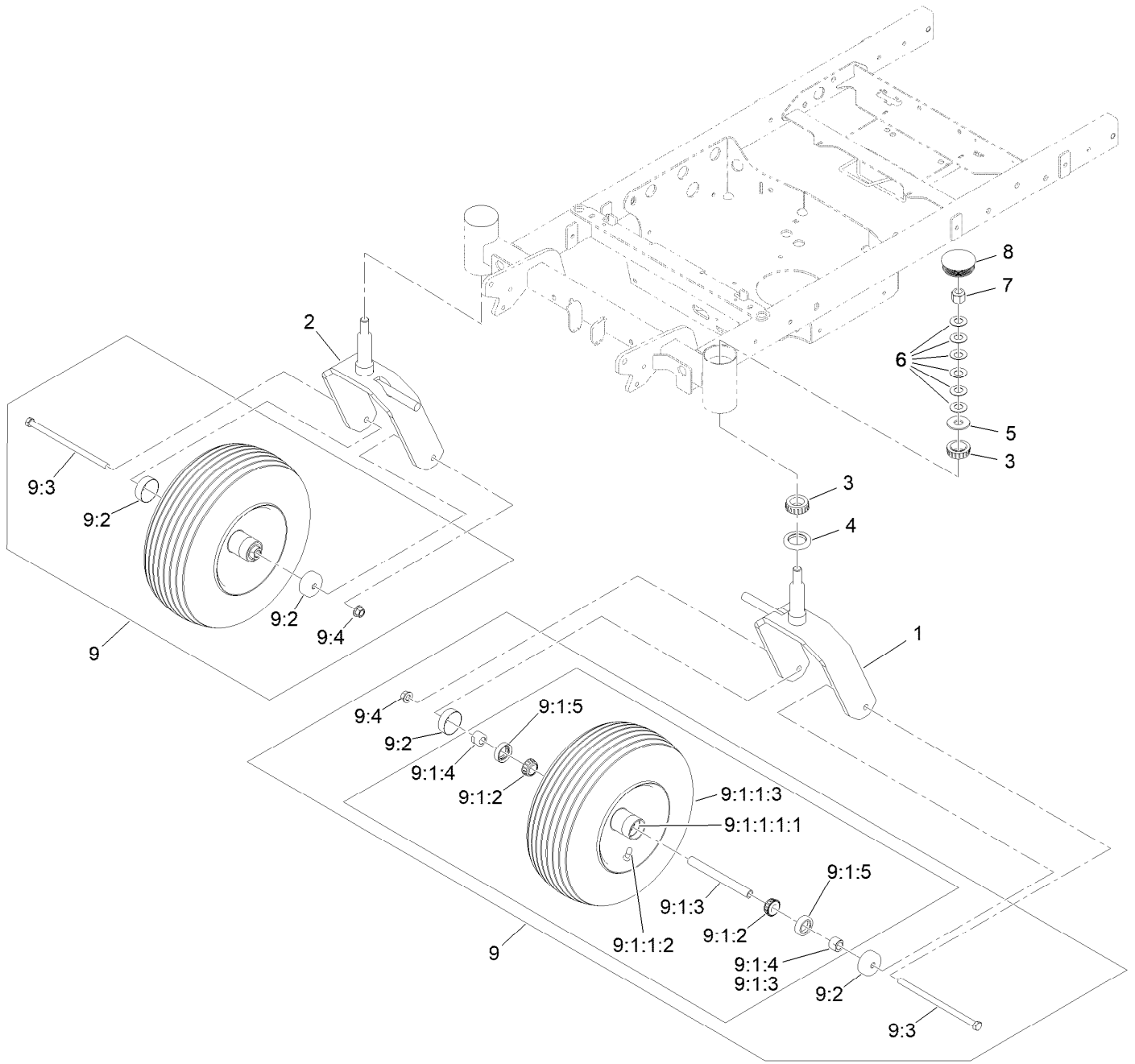
# Tire Assembly



## Tire Assembly (continued)

<i>Ref.</i>	<i>Part Number</i>	<i>Qty.</i>	<i>Description</i>	<i>Ref.</i>	<i>Part Number</i>	<i>Qty.</i>	<i>Description</i>
1	142-3688	2	Wheel And Tire ASM	1:3	232-27	1	Stem-Valve
1:1	142-3689	1	Rim ASM [black]	2	126-2055	2	Decal-Torque, Wheel Hub Lug
1:2	1-633993	1	Tire				

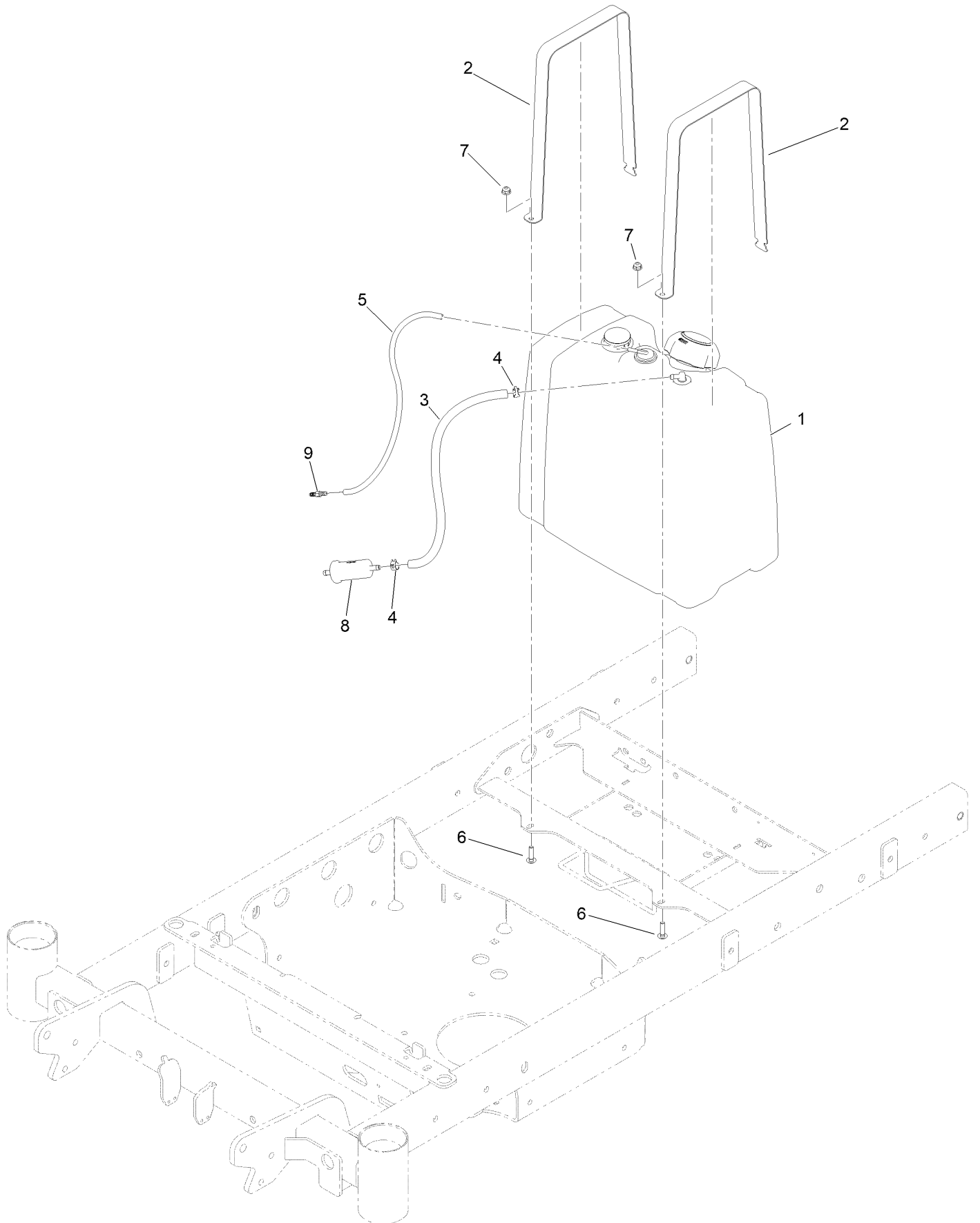
# Caster Wheels Assembly



## Caster Wheels Assembly (continued)

<i>Ref.</i>	<i>Part Number</i>	<i>Qty.</i>	<i>Description</i>	<i>Ref.</i>	<i>Part Number</i>	<i>Qty.</i>	<i>Description</i>
1	142-4545-05	1	Weld-Caster, LH [blk-Txt]	9:1:1:2	232-27	1	Stem-Valve
2	142-4547-05	1	Weld-Caster, RH [blk-Txt]	9:1:1:3	135-5976	1	Tire-Rib
3	103-9028	4	Bearing-Roller, Cone Taper	9:1:2	1-633585	2	Bearing-Cone, Taper
4	135-0355	2	Seal-Grease	9:1:3	126-5361	1	Axle Caster ASM
5	3256-8	2	Washer-Flat	9:1:4	103-3051	1	Spacer-Nut
6	1-633508	12	Washer-Bellville	9:1:5	103-0063	2	Seal-Caster
7	3296-51	2	Nut-Lock, NI	9:2	103-2768	2	Guard-Seal
8	142-7588	2	Cap-Tube, Caster	9:3	325-39	1	Screw-HH
9	142-5556	2	ASM-Whl And Tire W/Axle	9:4	99-5107	1	Nut-Lock
9:1:1:11	11-633584	2	Bearing-Cup				

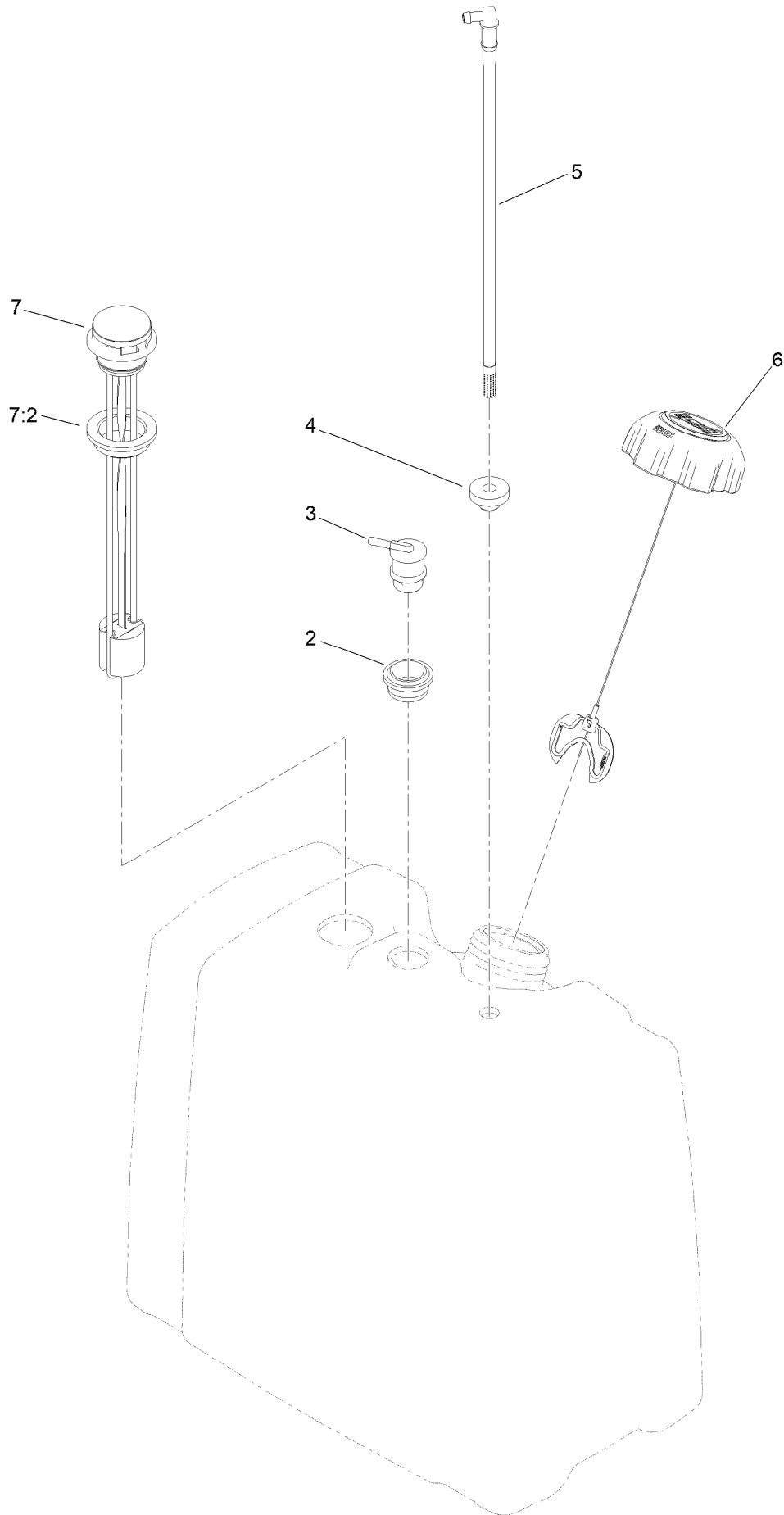
# Fuel Tank Assembly



## Fuel Tank Assembly (continued)

<i>Ref.</i>	<i>Part Number</i>	<i>Qty.</i>	<i>Description</i>	<i>Ref.</i>	<i>Part Number</i>	<i>Qty.</i>	<i>Description</i>
1	142-7602	1	ASM-Tank, Fuel	6	126-1455	2	Screw-CARR
2	142-7332	2	Strap-Tank	7	135-6108	2	Nut-Hex Flange
3	109-0296	1	Hose-Fuel	8	135-6687	1	Filter-Fuel
4	2412-98	2	Clamp-Hose	9	120-1996	1	Fitting-STR
5	115-7872	1	Hose-Fuel				

# Fuel Tank Assembly No. 142-7602

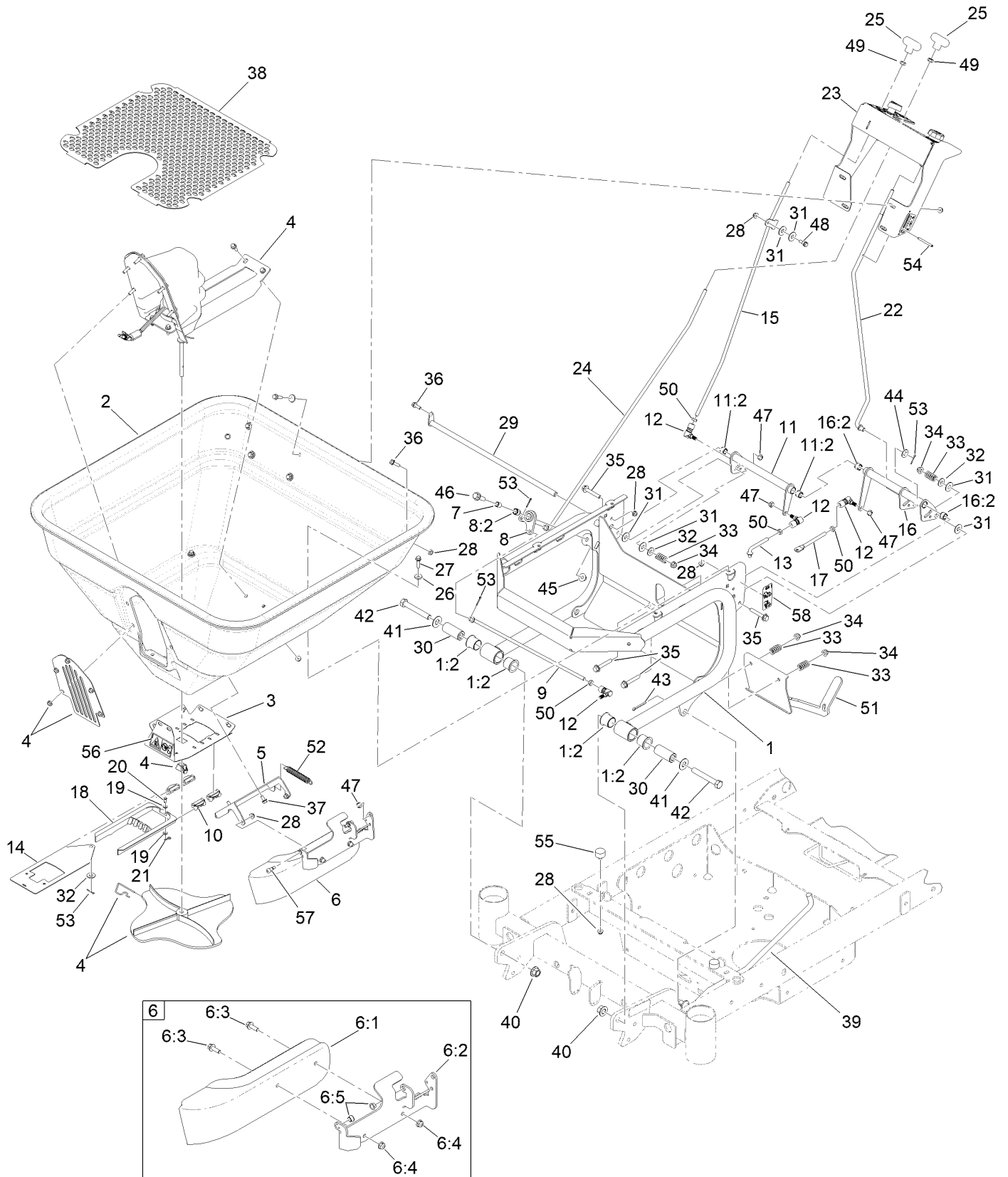




## Fuel Tank Assembly No. 142-7602 (continued)

<i>Ref.</i>	<i>Part Number</i>	<i>Qty.</i>	<i>Description</i>	<i>Ref.</i>	<i>Part Number</i>	<i>Qty.</i>	<i>Description</i>
2	114-0284	1	Grommet	6	137-4127	1	Cap-Fuel
3	119-3547	1	Valve-Vent, Fuel	7	119-0509	1	Gauge ASM
4	46-6560	1	Bushing	7:2	119-0508	1	Seal
5	115-9044	1	Pipe-Stand				

# Spreader Assembly

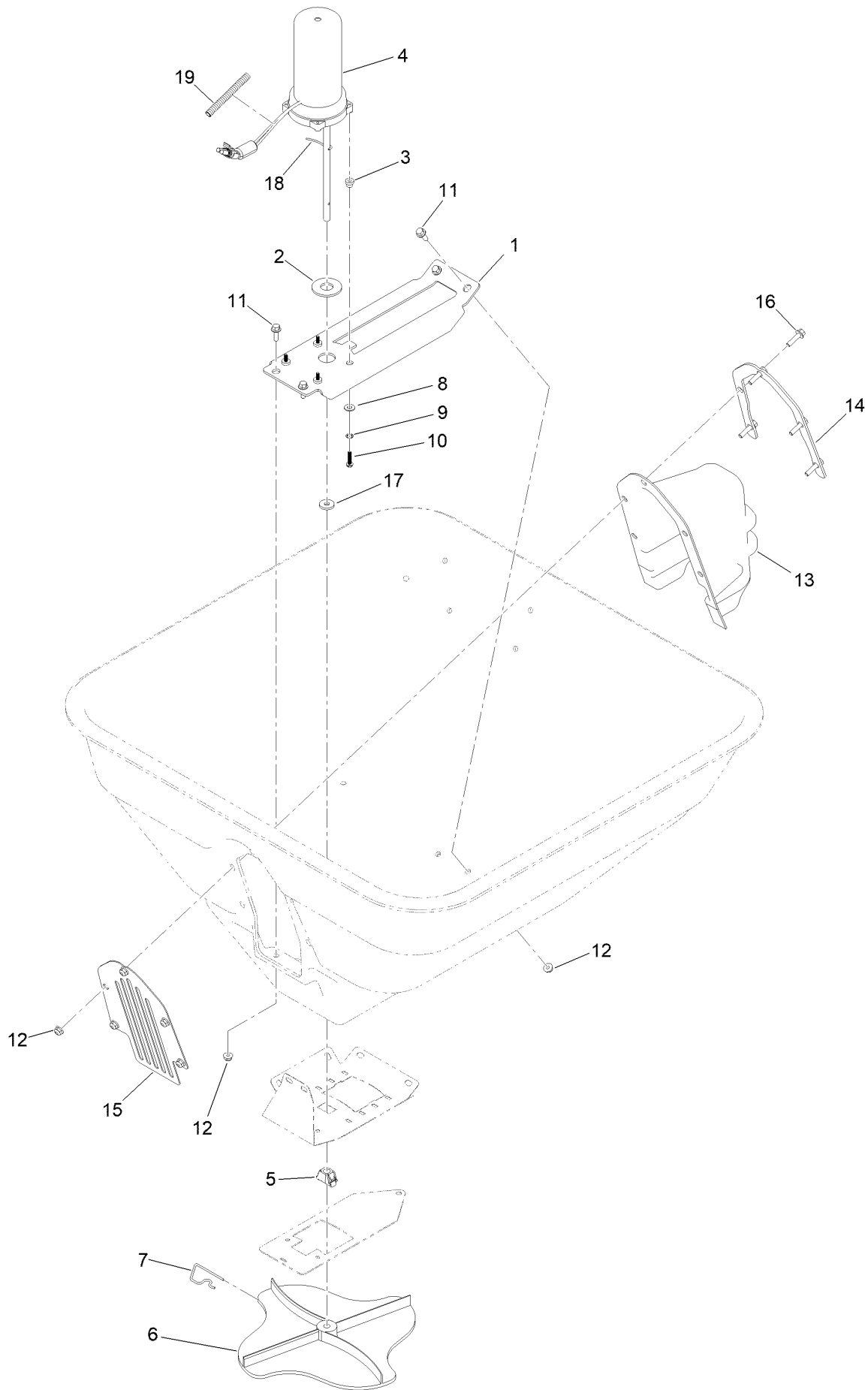


## Spreader Assembly (continued)

<i>Ref.</i>	<i>Part Number</i>	<i>Qty.</i>	<i>Description</i>	<i>Ref.</i>	<i>Part Number</i>	<i>Qty.</i>	<i>Description</i>
1	142-7344	1	Frame-Hopper	26	135-6341	4	Washer
1:2	126-1963	4	Bushing-Pivot	27	HDW27147	4	Screw-HHF
2	142-4648	1	Hopper-250 Lb.	28	135-6108	12	Nut-Hex Flange
3	142-3991	1	Plate-Hopper, Bottom	29	142-4031	1	Shaft-Control, Hopper
4		1	ASM-Motor, Hopper ●	30	142-4293	2	Spacer-Pivot, Hopper
5	142-7872	1	Bracket-Hopper Deflector	31	93-1633	6	Washer
6		1	ASM-Deflector, Side ●	32	HDW14535	3	Flat Washer, 5/16 Nom,ST/ST,18-8
6:1	146-0145	1	Chute-Deflector	33	142-6894	4	Spring-Compression
6:2	146-0146	1	Bracket-Deflector, Side	34	135-6109	4	Nut-Hex Flange
6:3	135-6221	2	Screw-HHF	35	126-2711	4	Screw-HHF
6:4	135-6108	2	Nut-Hex Flange	36	135-6221	3	Screw-HHF
6:5	138-5538	2	Bushing-Flange	37	142-5490	8	Screw-HWH
7	142-7618	1	Bushing-Pivot, Deflector	38	142-4696	1	Screen-Hopper, Medium
8	142-7614	1	Crank-Defelctor	39	142-6888	1	Rod-Prop, Hopper
8:2	142-3932	1	Bushing	40	135-6111	2	Nut-Hex Flange
9	142-3961	1	Linkage-Deflector, Lower	41	HDW14428	2	Washer
10	142-3316	4	Guide-Rate, Gate	42	142-7326	2	Screw-HH
11	142-3927	1	Crank-Gate, Hopper	43	135-6292	1	Pin-Cotter
11:2	142-3932	2	Bushing	44	HDW05859	1	Washer,Flat,3/8ST/ST 18-8
12	135-5718	4	Ball Joint-Quick Disconnect, SS	45	135-6110	1	Nut-Hex Flange
13	142-3933	1	Linkage-Gate, Lower	46	135-6211	1	Screw-HHF
14	142-3942	1	Rate-Gate	47	142-5498	4	Nut-Lock, NI
15	142-5504	1	Linkage-Gate, Upper	48	42-3560	1	Bolt-Shoulder
16	142-3946	1	Crank-Diffuser	49	363-1684	2	Nut-Hex
16:2	142-3932	2	Bushing	50	107-0282	4	Nut-Hex
17	142-3949	1	Linkage-Diffuser, Lower	51	142-7495-05	1	Latch-Hopper [blk-Txt]
18	142-3406	1	Diffuser	52	142-8921	1	Spring-Extension
19	126-0759	2	Washer-Flat	53	HDW14430	4	Cotter Pin 5/64X3/4 18-8
20	126-3729	1	Pin-Clevis	54	142-7053	1	Pin-Roll, 3/16 X 2.0
21	126-1631	1	Pin-Cotter, Hair	55	240-14	2	Bumper-Rubber
22	142-3950	1	Linkage-Diffuser, Upper	56	135-6725	1	Decal-Dismemberment Hazard
23		1	ASM-Console, Hopper ●	57	119-4881	2	Bolt-Shoulder
24	142-3962	1	Linkage-Deflector, Upper	58	146-0725	1	Decal-Hopper Rotate
25	142-5558	2	Knob-T				

● Not serviced separately

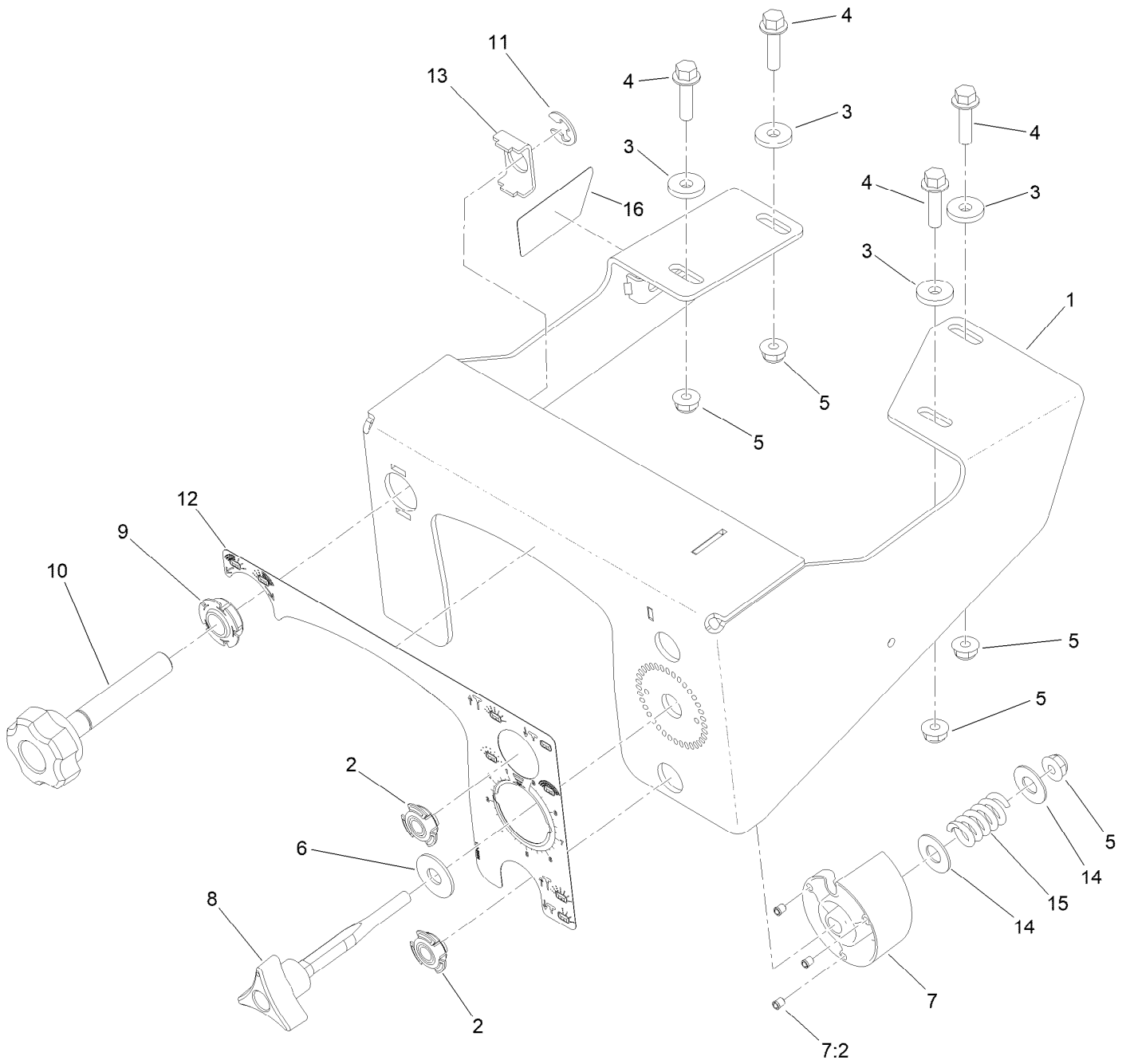
# Hopper Motor Assembly



## Hopper Motor Assembly (continued)

<i>Ref.</i>	<i>Part Number</i>	<i>Qty.</i>	<i>Description</i>	<i>Ref.</i>	<i>Part Number</i>	<i>Qty.</i>	<i>Description</i>
1	142-4686	1	Bracket-Mount, Motor	11	135-6221	4	Screw-HHF
2	83-2400	1	Spacer	12	135-6108	9	Nut-Hex Flange
3	135-3989	4	Spacer-Flanged	13	142-8924	1	Cover-Motor
4	126-0379	1	Motor-Spreader	14	126-6334	1	Flange-Cover, Motor
5	142-4042	1	Hopper Bottom Bearing	15	142-4721	1	Cover-Front, Motor
6	142-3506	1	Spinner-Spreader	16	HDW27147	5	Screw-HHF
7	142-3541	1	Clip-Spinner	17	142-3665	1	Washer-Felt
8	360-0140	4	Washer-Flat	18	142-3666	1	Wire-Agitator
9	363-8641	4	Washer-Lock, Int	19	142-6683	1	Loom-Split
10	739001	4	Screw-SHWH				

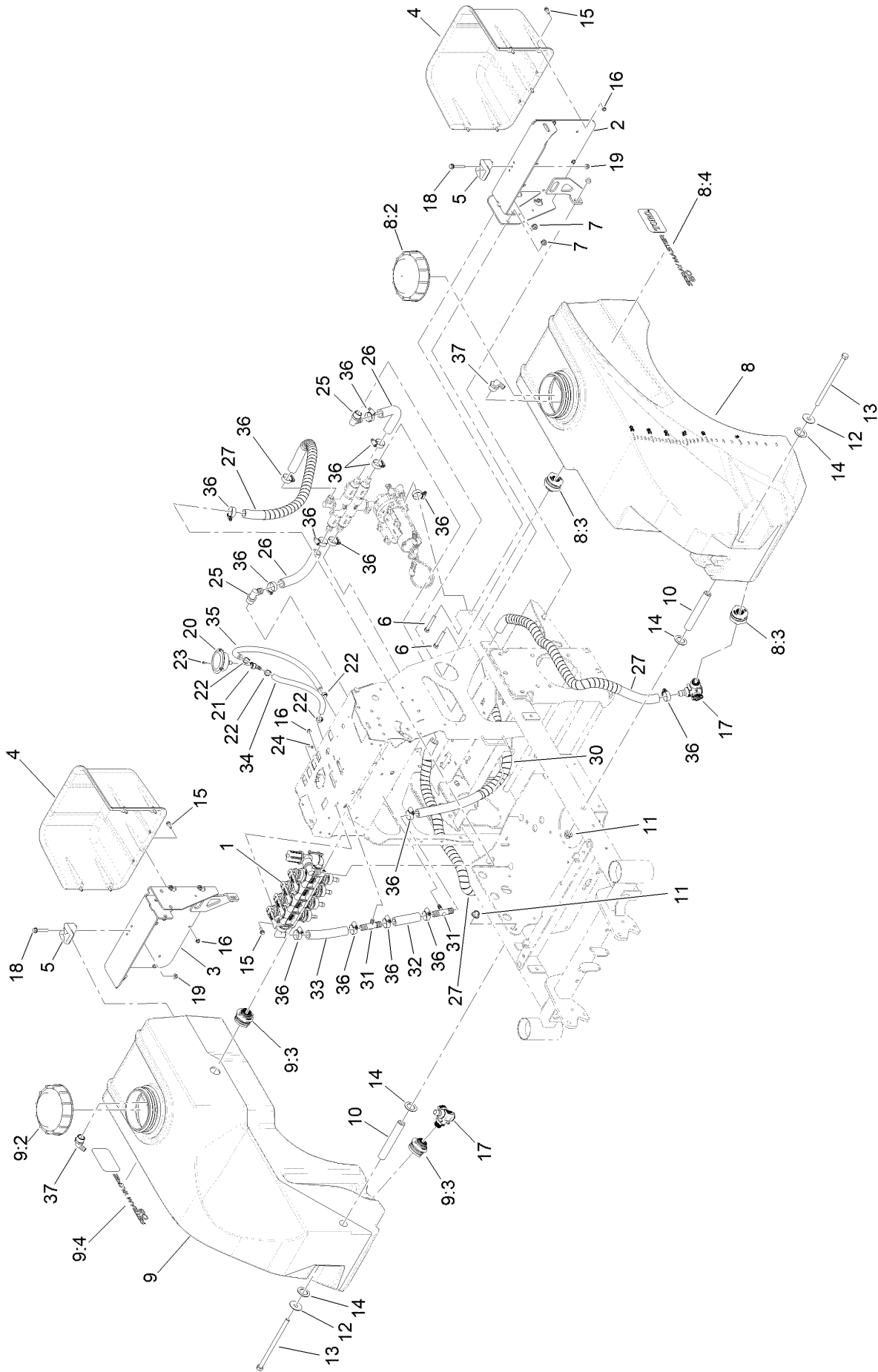
# Hopper Console Assembly



## Hopper Console Assembly (continued)

<i>Ref.</i>	<i>Part Number</i>	<i>Qty.</i>	<i>Description</i>	<i>Ref.</i>	<i>Part Number</i>	<i>Qty.</i>	<i>Description</i>
1	142-5560	1	Console-Hopper	9	126-5820	1	Bearing-Spherical
2	142-3955	2	Bearing-Spherical	10	142-7037	1	Knob-Diffuser
3	135-6341	4	Washer	11	142-4698	1	Ring-E
4	HDW27147	4	Screw-HHF	12	142-5588	1	Decal-Hopper
5	135-6108	5	Nut-Hex Flange	13	142-7054	1	Stop-Diffuser
6	93-1633	1	Washer	14	HDW05859	2	Washer,Flat,3/8ST/ST 18-8
7	142-4642	1	Dial-Rate	15	142-6894	1	Spring-Compression
7:2	142-4641	3	Plunger-Spring, Ball	16	142-9684	1	Decal-Pattern Indicator
8	142-7035	1	Knob-Rate				

# Sprayer Tanks Assembly

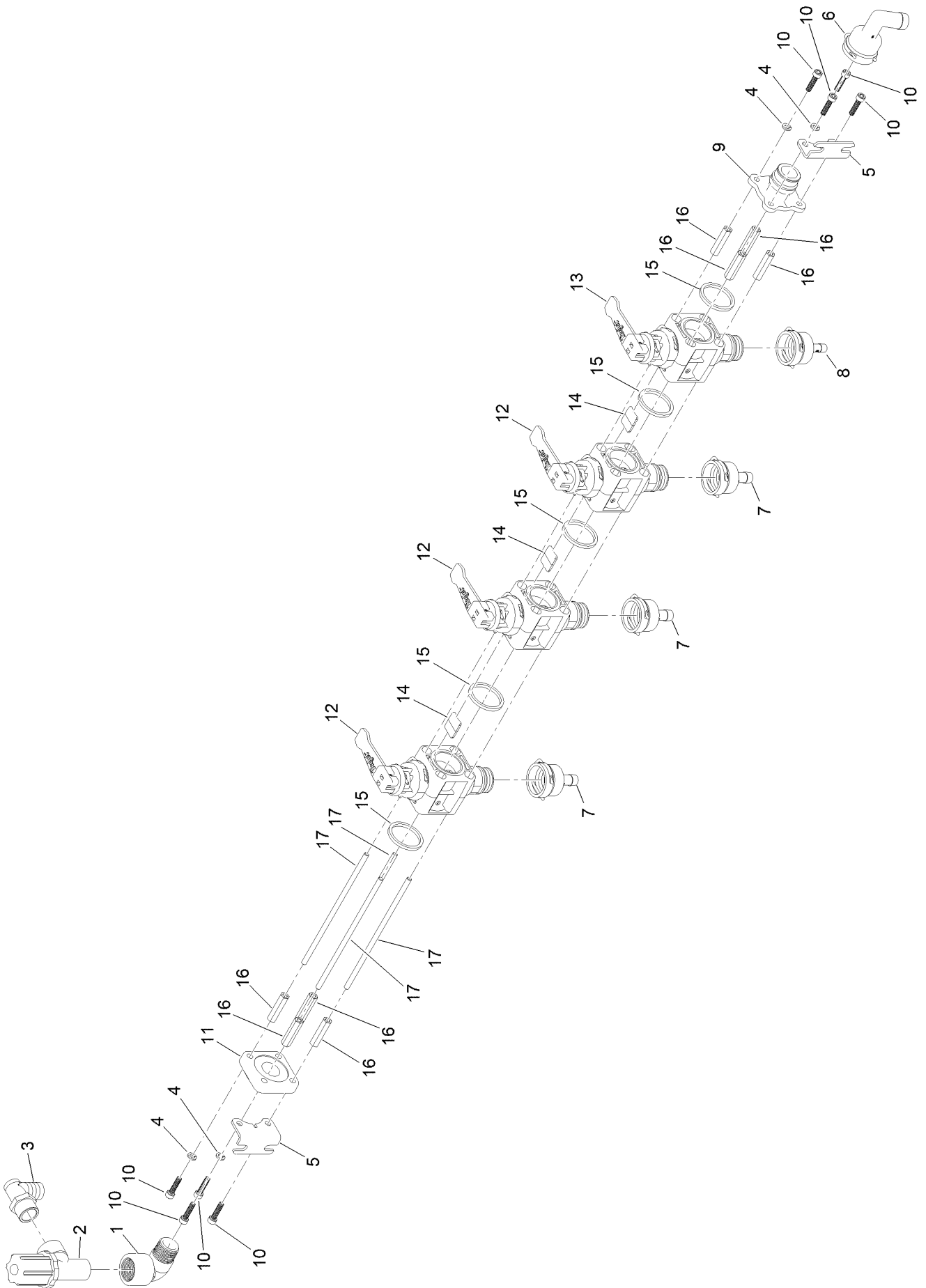




## Sprayer Tanks Assembly (continued)

<i>Ref.</i>	<i>Part Number</i>	<i>Qty.</i>	<i>Description</i>	<i>Ref.</i>	<i>Part Number</i>	<i>Qty.</i>	<i>Description</i>
1	142-7050	1	ASM-Manifold, Spray	15	135-6221	14	Screw-HHF
2	142-7316	1	Mount-Tank, Lt Max	16	135-6108	14	Nut-Hex Flange
3	142-7318	1	Mount-Tank, Rt Max	17	142-4468	2	Valve-3 Way
4	142-4717	2	Box-Fertilizer, Max	18	126-2711	2	Screw-HHF
5	107-4543	2	Clamp	19	135-6109	2	Nut-Hex Flange
6	HDW05849	4	HHCS,3/8-16X2-1/2,ST/ST 18-8	20	126-4110	1	Gauge-Pressure
7	135-6110	4	Nut-Hex Flange	21	126-2348	1	Fitting-Tee
8	142-7623	1	Tank-30Gal, Lt	22	135-5757	4	Clamp-Oetiker, 167
8:2	135-5916	1	Cap-Tank, Spray	23	135-6357	3	Screw-HSH
8:3	126-4393	2	Fitting-Bulkhead	24	140-3749	3	Nut-Lock Rohs
8:4	142-9313	1	Decal-Spraymaster, 60	25	135-5772	2	Fitting-Elbow, 90
9	142-7846	1	Tank-30Gal, Rt	26	142-6912	2	Hose-Spray, Formed
9:2	135-5916	1	Cap-Tank, Spray	27	142-7613	3	Hose-Spray, Wrapped
9:3	126-4393	2	Fitting-Bulkhead	30	142-7610	1	Hose-Spray, Wrapped
9:4	142-9314	1	Decal-Spraymaster, 60	31	142-4450	2	Tee-Hose Barb
10	142-5501	2	Spacer-Tank	32	142-6907	1	Hose-Spray
11	135-6111	2	Nut-Hex Flange	33	142-7611	1	Hose-Spray
12	142-7591	2	Washer-Flat, 1/2, SS	34	142-7612	1	Hose-Spray
13	142-5502	2	Screw-HHCS	35	142-7062	1	Hose-Spray
14	131-5905	4	Washer-Rubber	36	2412-129	16	Clamp-Hose
				37	135-5744	2	Fitting-Elbow, 90

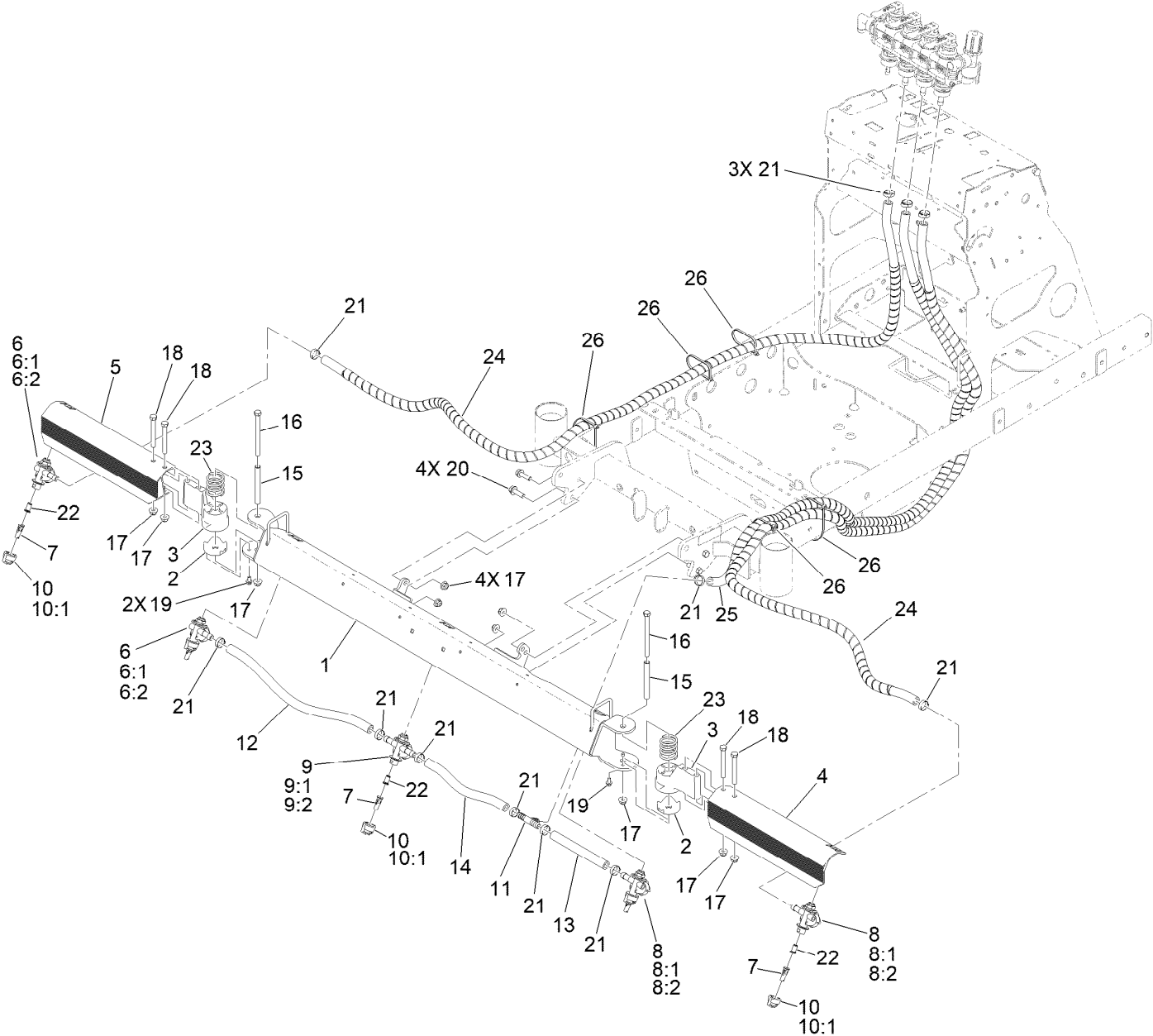
# Sprayer Manifold Assembly No. 142-7050



# Sprayer Manifold Assembly No. 142-7050 (continued)

<i>Ref.</i>	<i>Part Number</i>	<i>Qty.</i>	<i>Description</i>	<i>Ref.</i>	<i>Part Number</i>	<i>Qty.</i>	<i>Description</i>
1	132-7706	1	Elbow-90 DEG	10	142-6348	8	Screw-Hscs 6 MM X 25.0 MM SS
2	135-5736	1	Valve-Throttle	11	142-7041	1	Cap-End, 3/4 Npt, Female
3	135-5772	1	Fitting-Elbow, 90	12	142-7042	3	ASM-Valve Section, Grey
4	142-4415	4	Washer	13	142-7043	1	ASM-Valve Section, Black
5	142-4416	2	Bracket-Mount	14	142-7496	3	Alignment Piece
6	142-5591	1	Kit-Hose Barb, 3/4 90, Qc	15	142-7497	5	Gasket
7	142-6187	3	Kit-1/2 Hb, STR, Qc	16	142-7498	8	M6X1 Metric Hex Stand-Off
8	142-6188	1	Kit-3/8 Hb, STR, Qc	17	142-7499	4	M6X1 Threaded Rod
9	142-6347	1	Adaptor-Male Qc Bolted Flanged				

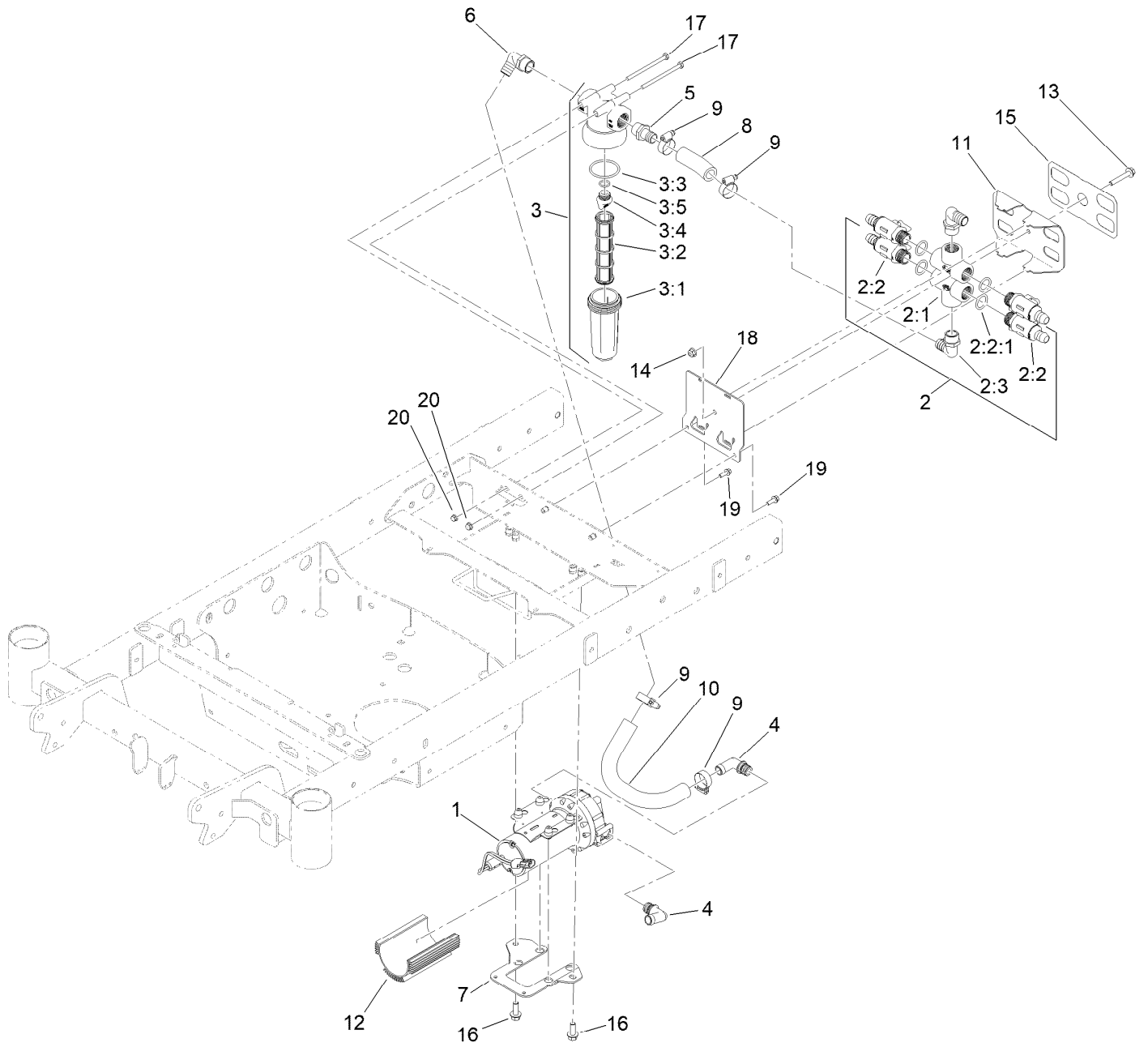
# Boom Assembly



## Boom Assembly (continued)

<i>Ref.</i>	<i>Part Number</i>	<i>Qty.</i>	<i>Description</i>	<i>Ref.</i>	<i>Part Number</i>	<i>Qty.</i>	<i>Description</i>
1	142-3988	1	Boom-Center, Max	11	126-0968	1	Fitting-Tee
2	142-3990	2	Boom-Pivot	12	135-6297	1	Hose-Spray
3	142-6682	2	Hinge-Boom	13	143-0615	1	Hose-Spray
4	142-4029	1	Boom-Wing, LH	14	142-7019	1	Hose-Spray
5	142-4072	1	Boom-Wing, RH	15	142-4069	2	Spacer-Boom, Pivot
6	135-5790	2	Body-Nozzle, Right	16	142-7327	2	Screw-HH
6:1	146-1020	1	Cap-Sprayer Nozzle	17	135-6110	10	Nut-Hex Flange
6:2	146-1021	1	Diaphragm-Sprayer Nozzle	18	126-2661	4	Screw-HH
7	142-3308	5	Tip-Spray, 025	19	142-5490	4	Screw-HWH
8	135-5788	2	Body-Nozzle, Left	20	135-6211	4	Screw-HHF
8:1	146-1020	1	Cap-Sprayer Nozzle	21	135-5692	12	Clamp-Oetiker, 167
8:2	146-1021	1	Diaphragm-Sprayer Nozzle	22	126-3943	5	Strainer-Nozzle, 50M 5PSI Check
9	135-5789	1	Body-Nozzle, Center	23	142-6880	2	Spring-Compression
9:1	146-1020	1	Cap-Sprayer Nozzle	24	142-7058	2	Hose-Spray, Wrapped
9:2	146-1021	1	Diaphragm-Sprayer Nozzle	25	142-7059	1	Hose-Spray, Wrapped
10	135-5781	5	Cap-Nozzle	26	3290-379	5	Tie-Cable
10:1	40998	1	Seat-Gasket				

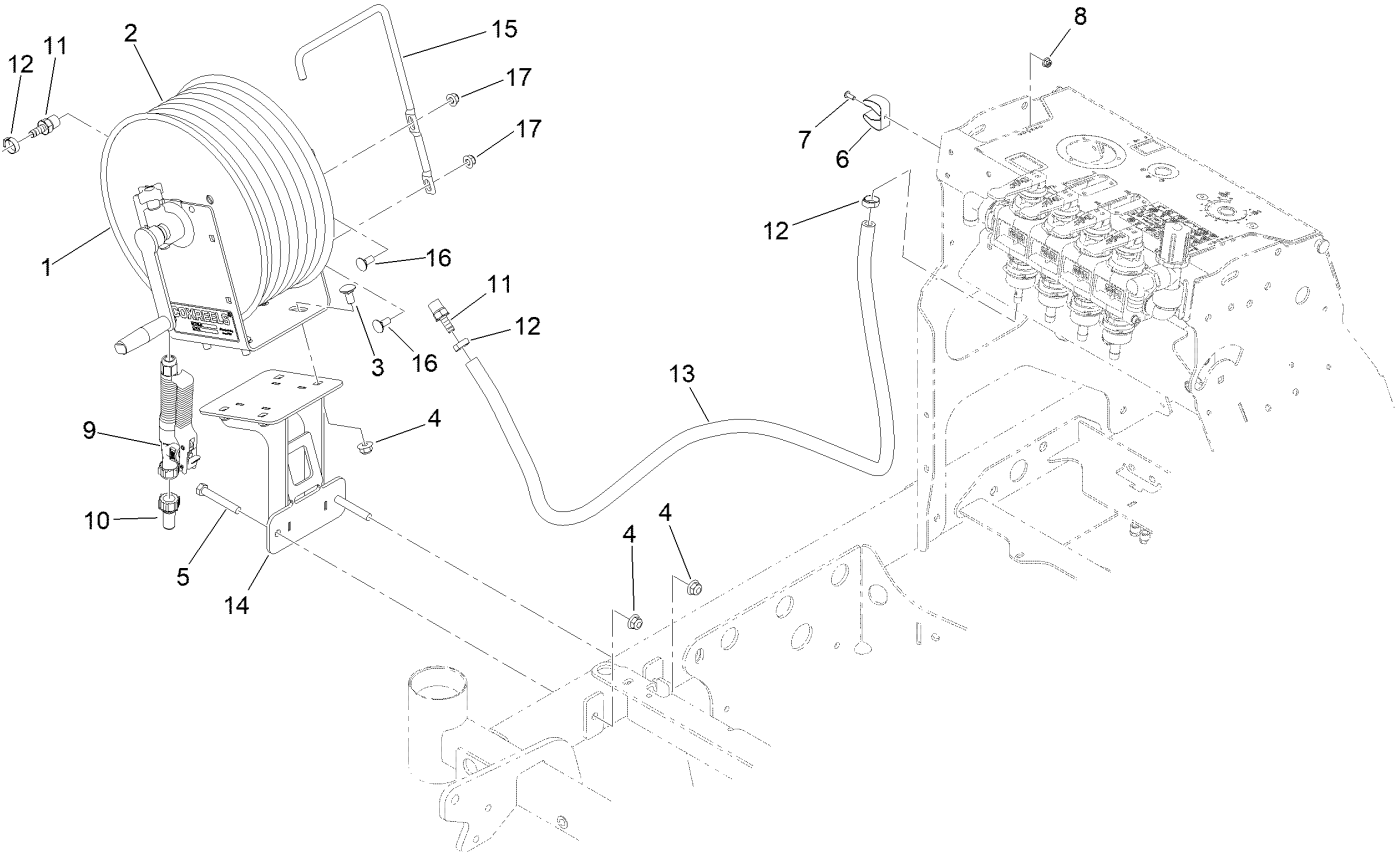
# Pump Assembly



## Pump Assembly (continued)

<i>Ref.</i>	<i>Part Number</i>	<i>Qty.</i>	<i>Description</i>	<i>Ref.</i>	<i>Part Number</i>	<i>Qty.</i>	<i>Description</i>
1	146-0148	1	Pump-5.3 GPM	7	142-4274	1	Bracket-Mount, Pump
2	142-6906	2	ASM-Valve, Selector	8	142-8961	1	Hose-Spray
2:1	146-0632	1	Fitting-Tee	9	2412-129	4	Clamp-Hose
2:2	142-9319	2	Valve	10	142-6908	1	Hose-Formed
2:2:1	142-9320	1	O-Ring, -213	11	142-6910	1	Bracket-Valve, Selector
2:3	135-5772	1	Fitting-Elbow, 90	12	142-3322	1	Heatsink-3.0"
3	142-8947	1	Strainer-T, 50 Mesh	13	126-2711	1	Screw-HHF
3:1	131-0203	1	Cup-Filter	14	135-6109	1	Nut-Hex Flange
3:2	131-0210	1	Screen-Filter, 50 Mesh	15	142-7247	1	Decal-Valve
3:3	131-0207	1	Oring-Filter, Cup	16	135-6208	2	Screw-HHF
3:4	131-0204	1	Plug-Filter	17	142-8960	2	Screw-HHCS
3:5	131-0205	1	Oring-Filter, Plug	18	142-7521	1	Mount-Valve
4	126-4420	2	Fitting-Elbow	19	135-6221	2	Screw-HHF
5	41257	1	Hosebarb	20	135-6108	2	Nut-Hex Flange
6	135-5772	1	Fitting-Elbow, 90				

# Hose Reel Assembly

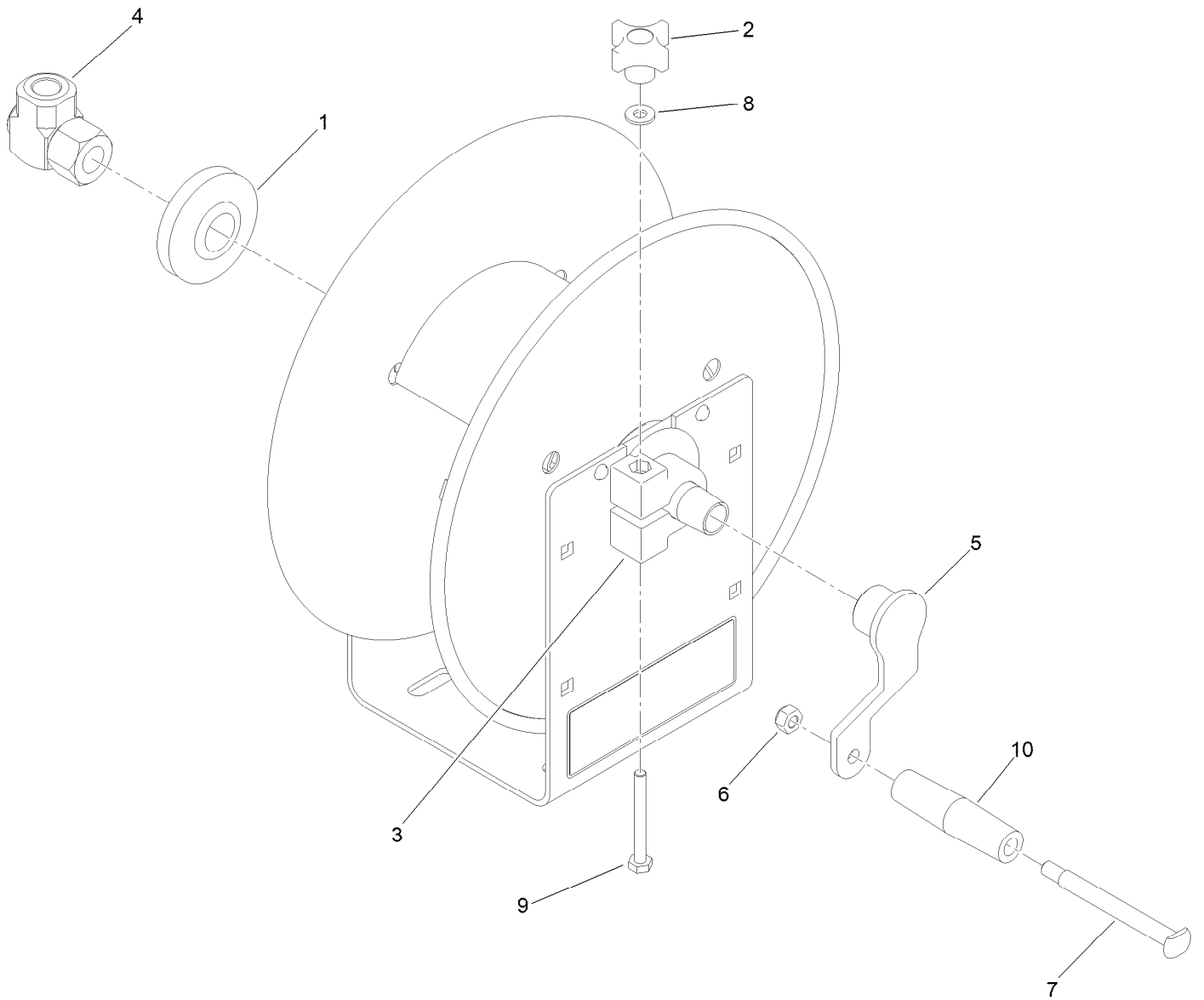




## Hose Reel Assembly (continued)

<i>Ref.</i>	<i>Part Number</i>	<i>Qty.</i>	<i>Description</i>	<i>Ref.</i>	<i>Part Number</i>	<i>Qty.</i>	<i>Description</i>
1	135-5787	1	Reel-Hose	9	135-5773	1	Gun-Spray, Spot
2	135-5794	1	Hose-Spray, 75'	10	135-5778	1	Tip-Spray, #12 Spot
3	135-6271	4	Screw-Carriage	11	1-513200	2	Fitting, Male
4	135-6110	6	Nut-Hex Flange	12	135-5757	3	Clamp-Oetiker, 167
5	HDW05849	2	HHCS, 3/8-16X2-1/2, ST/ST 18-8	13	135-7369	1	Hose-Spray
6	135-5661	1	Holder-Tool, Clip	14	142-6900	1	ASM-Reel Mount
7	135-6374	1	Screw-HSBH	15	142-7884	1	Guide-Hose, Reel
8	135-6342	1	Nut-Hex Flange	16	126-0695	2	Screw-CARR
				17	135-6109	2	Nut-Hex Flange

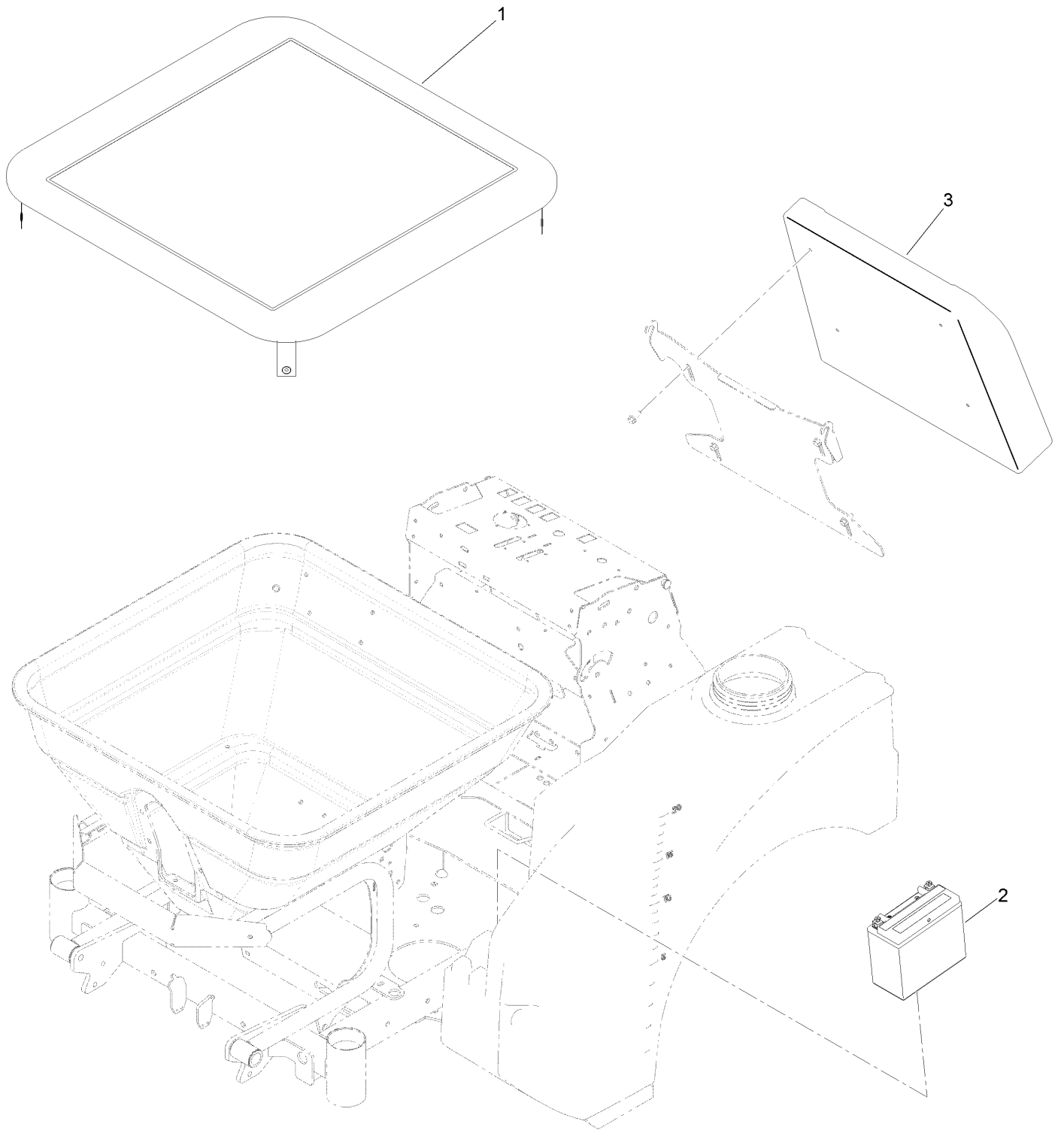
# Hose Reel Assembly No. 135-5787



## Hose Reel Assembly No. 135-5787 (continued)

<i>Ref.</i>	<i>Part Number</i>	<i>Qty.</i>	<i>Description</i>	<i>Ref.</i>	<i>Part Number</i>	<i>Qty.</i>	<i>Description</i>
1	135-8439	1	Plastic Bearing	6	119-4038	1	Nut-Hex
2	135-8437	1	Hose Reel Brake Knob	7	135-8436	1	Bolt, Hose Reel Handle
3	135-8438	1	Brake/Bearing 6329-1-1	8	120-9679	1	Washer-Flat
4	135-8421	1	Swivel 3/8" Npt	9	321-18	1	Screw-HH
5	135-6011	1	Crank-Reel	10	135-8433	1	Handle ,Hose Reel

# Hopper Cover, Knee Pad and Battery Assembly



# Hopper Cover, Knee Pad and Battery Assembly (continued)

<i>Ref.</i>	<i>Part Number</i>	<i>Qty.</i>	<i>Description</i>
1	146-0138	1	Cover-Hopper
2	142-7345	1	Battery-Agm
3	142-7621	1	Pad-Knee

# Attachments and Accessories

## For 34240 52in Sprayer SprayMaster Max

<b>Product Name</b>	<b>Model/Part</b>
Wide Application Nozzle Kit .....	142-5488
Foam Marker Kit .....	142-7070
30 Gallon Auxiliary Tank Kit, 46in or 52in SprayMaster .....	146-0600
7 Gallon Isolated Tank Kit, 46in or 52in SprayMaster .....	146-0602
7 Gallon Auxiliary Tank Kit, 46in or 52in SprayMaster .....	146-0603
Pump Kit, 7 Gallon .....	142-7879
Light Kit.....	142-7876
Vibratory Motor .....	142-7877
Dual Pump Kit.....	142-8700
Tip-Spray, 015 .....	142-3306
Tip-Spray, 02 .....	142-3307
Tip-Spray, 025 .....	142-3308
Tip-Spray, 03 .....	142-3309
Tip-Spray, 04 .....	142-3310
Tip-Spray, 05 .....	142-3311
Tip-Spray, 06 .....	142-3312
Tip, Teejet Light Blue .....	135-8413
Nozzle.....	117-5839
Tip-Spray, XRC11020 .....	146-0633
5 PSI Check ValveN11750-PP-5.....	135-8385

**Notes:**



**Count on it.**