



Count on it.

Parts Catalog

TimeCutter®

5000C Riding Mower

Model No. 75753—Serial No. 409300000 and Up



Ordering Replacement Parts

To order replacement parts, please supply the part number, the quantity, and the description of each part desired.

Understanding Reference Numbers

Each identified part in an illustration has a reference number. The reference number for a part also appears in the parts list, along with other information about the part.

This catalog uses two special reference number formats, one to indicate parts in a service assembly and another to indicate the quantity of a given part in an illustration.

Service Assembly Reference Numbers

Parts in service assemblies have reference numbers in the form a:b. The a represents the reference number of the entire service assembly and the b represents a sequential number unique to each part within the service assembly.

For example, a wheel assembly might be identified by reference number 6, the tire by 6:1, the valve by 6:2, and the wheel by 6:3. When you order the assembly identified by reference number 6, you receive all parts identified by reference numbers 6:1, 6:2, and 6:3. However, you may also order any part individually. Reference numbers of this type appear in illustration and in parts lists.

Reference Numbers Indicating Quantity

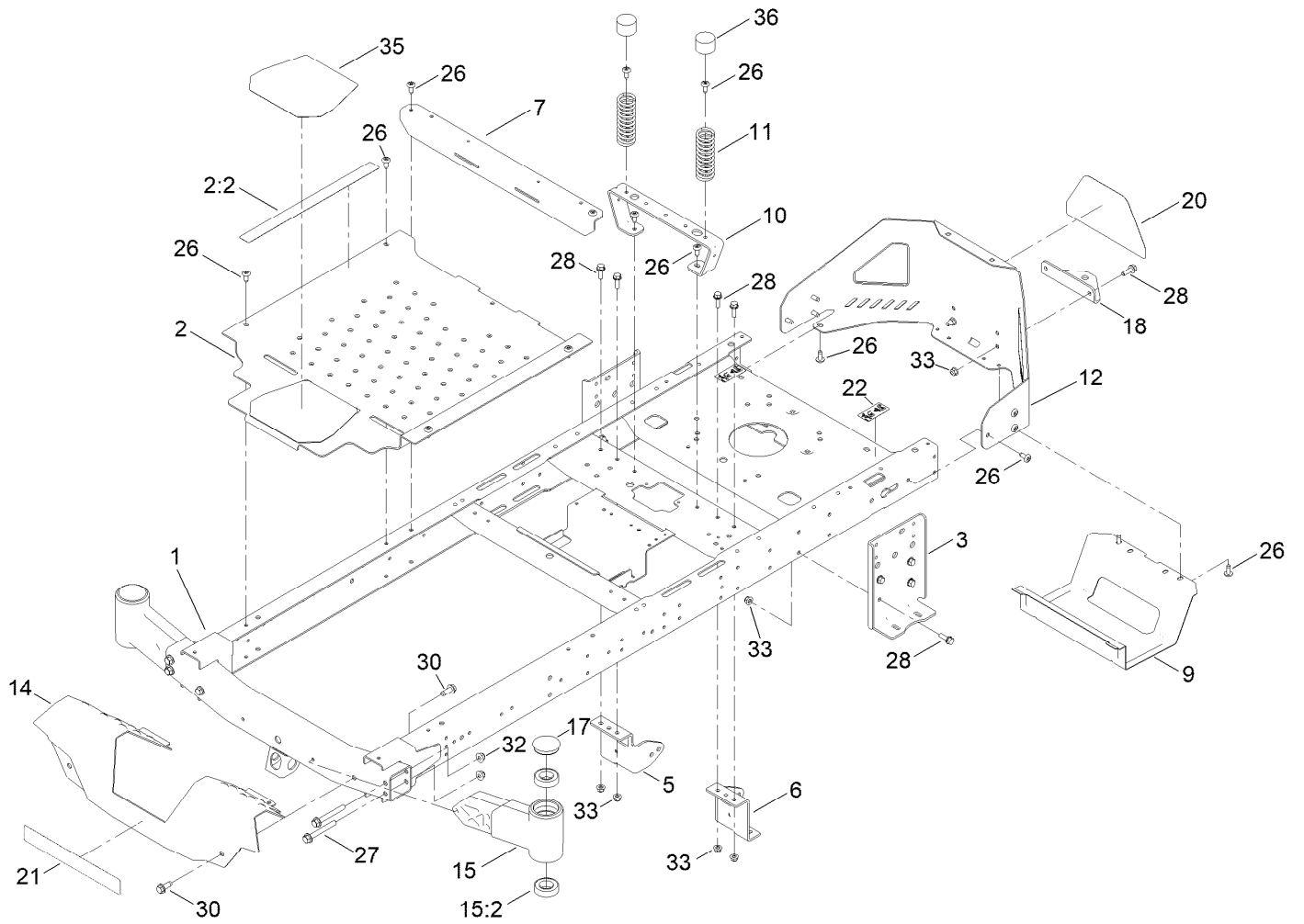
In an illustration, if a reference number indicates more than one part, the reference number has the form nX y. The n represents the quantity of the part, the X is the multiplication symbol, and the y represents the reference number.

For example, in an illustration, the reference number 2X 37 means that two of the parts identified by reference number 37 are indicated.

Contents

Frame Assembly	4
Deck Lift Assembly	6
Caster, Wheel and Tire Assembly	8
Traction Drive Assembly	10
LH Hydro Transmission Assembly No. 139-7450	12
RH Hydro Transmission Assembly No. 139-7451	14
Brake Assembly	16
Rear Tire Assembly	18
Set Pan Assembly	20
Seat Assembly No. 140-5043	22
Motion Control Assembly	24
Engine and Muffler Assembly	26
Fuel Pod Assembly	28
Electrical Assembly	30
50in Deck and Decal Assembly	32
Clutch Assembly	34
Attachments and Accessories	36

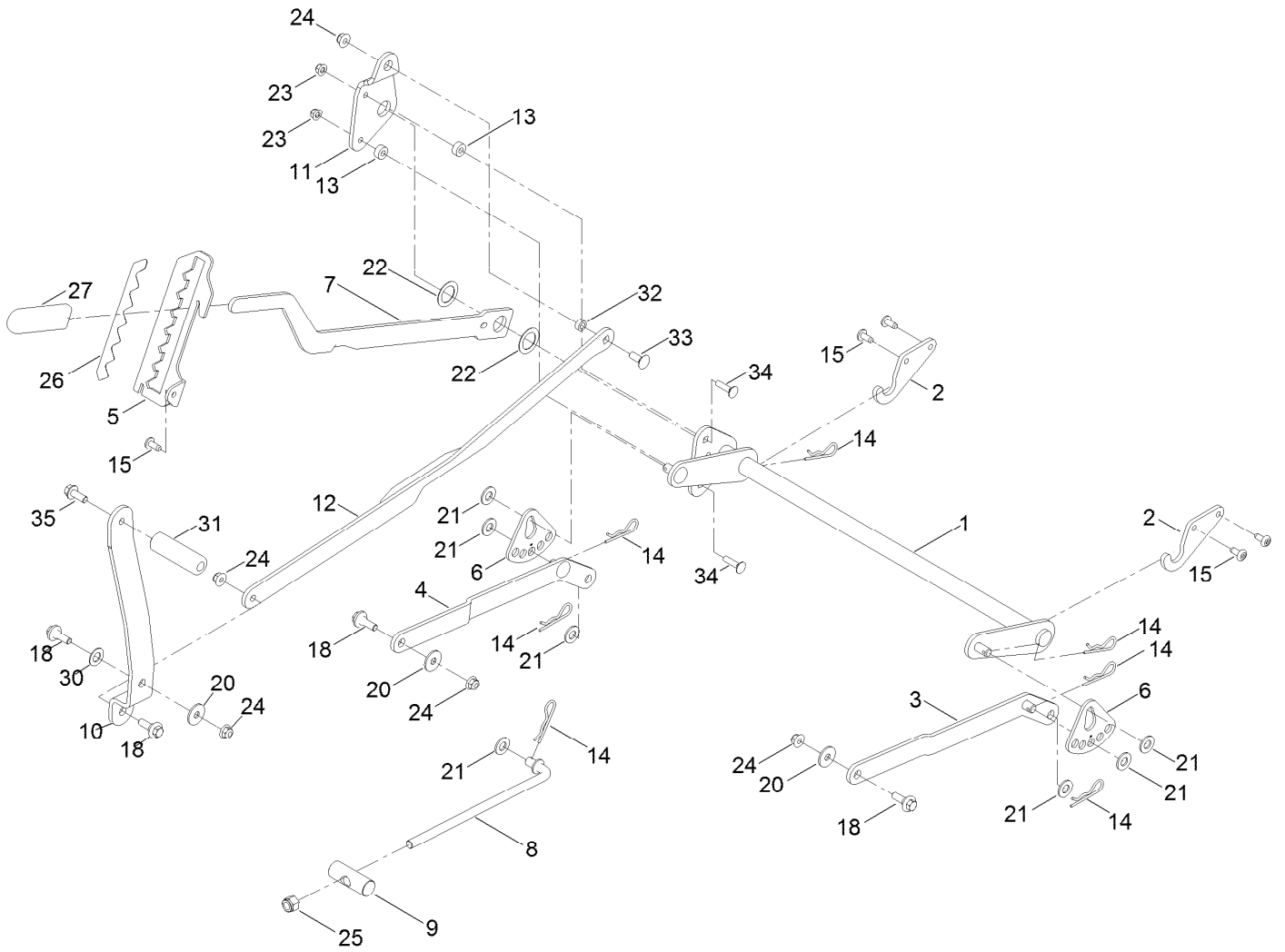
Frame Assembly



Frame Assembly (continued)

<i>Ref.</i>	<i>Part Number</i>	<i>Qty.</i>	<i>Description</i>	<i>Ref.</i>	<i>Part Number</i>	<i>Qty.</i>	<i>Description</i>
1	137-9820-01	1	Frame Assembly	17	138-7200	2	Cap-Grease
2	140-5045	1	Pan-Floor ASM	18	117-1232-03	1	Bracket-Hitch
2:2	144-5288	1	Decal-Warning	20	139-5890	1	Decal-Timecutter
3	138-7520-01	2	Plate-Mount, Hydro	21	139-2387	1	Decal-Timecutter
5	137-7020-01	1	Mount-Hydro, Front (Right)	22	121-2989	2	Decal-Bypass
6	139-3211-01	1	Mount-Hydro, Front (Left)	26	138-9753	20	Screw
7	138-9791-01	1	Brace-Cross	27	139-2429	4	Screw-HHF
9	138-0867-03	1	Guard-Muffler	28	3234-29	14	Screw-HHF
10	138-6036-03	1	Support-Seat	30	139-2428	4	Screw-HWH
11	138-2548	2	Spring-Compression	32	139-2430	4	Nut-HF, NI
12	138-9820-03	1	Guard-Engine	33	104-8300	14	Nut-HF, NI
14	138-9827-01	1	Footrest	35	139-3220	1	Tread-Step
15	140-2097	2	Axle Stub ASM	36	701178	2	Cap-Protector
15:2	109-3678	2	Bearing-Ball				

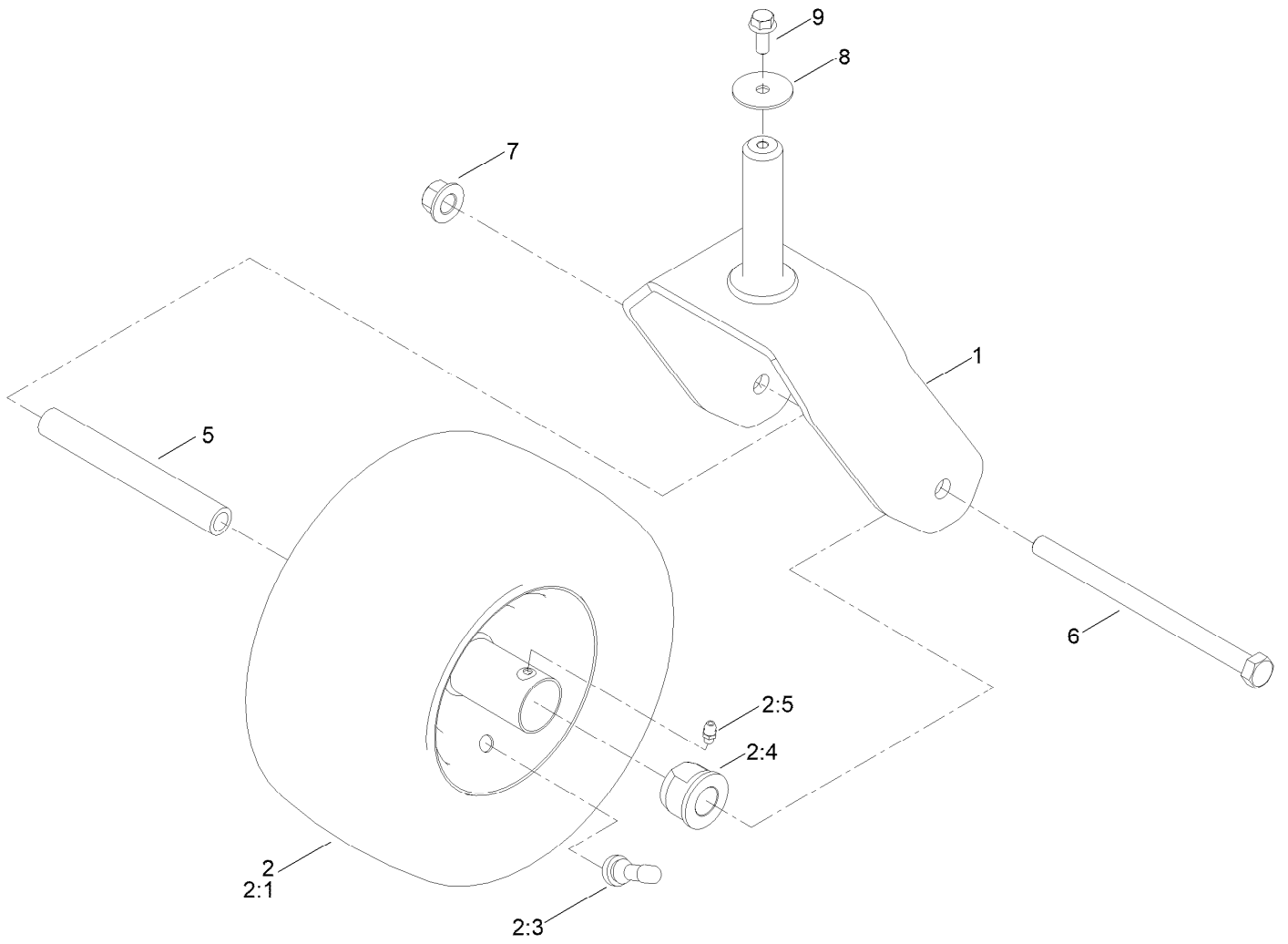
Deck Lift Assembly



Deck Lift Assembly (continued)

<i>Ref.</i>	<i>Part Number</i>	<i>Qty.</i>	<i>Description</i>	<i>Ref.</i>	<i>Part Number</i>	<i>Qty.</i>	<i>Description</i>
1	137-7093-03	1	Deck Lift ASM	18	137-9847	4	Screw-Shoulder
2	138-6021	2	Bracket-Pivot, Decklift	20	93-8806	3	Washer-Hardened
3	137-9844	1	LH Arm ASM	21	3256-26	7	Washer-Flat
4	137-9846	1	RH Arm ASM	22	63-2290	2	Washer-Thrust
5	139-2350-01	1	Bracket-HOC	23	104-8300	2	Nut-HF, NI
6	138-2564	2	Plate-Adjustment, HOC	24	104-8301	5	Nut-HF, NI
7	137-7087-03	1	Lever-Lift	25	3296-19	1	Nut-Hex
8	138-6050	1	Rod-Mount, Deck	26	139-2392	1	Decal-HOC
9	119-8810	1	Pin-Pivot	27	1-633268	1	Grip-Lever
10	138-2549-03	1	Pedal-Lift	30	120-2273	1	Washer-Nylon
11	137-7086	1	Plate-Footlift	31	139-7452	1	Pedal-Foot Lift
12	140-2746-03	1	Link ASM	32	140-2093	1	Spacer
13	140-3461	2	Spacer	33	139-2590	1	Screw-CARR
14	1-806005	7	Pin-Cotter	34	3230-3	2	Screw-CARR
15	138-9753	5	Screw	35	139-2597	1	Screw-HHF

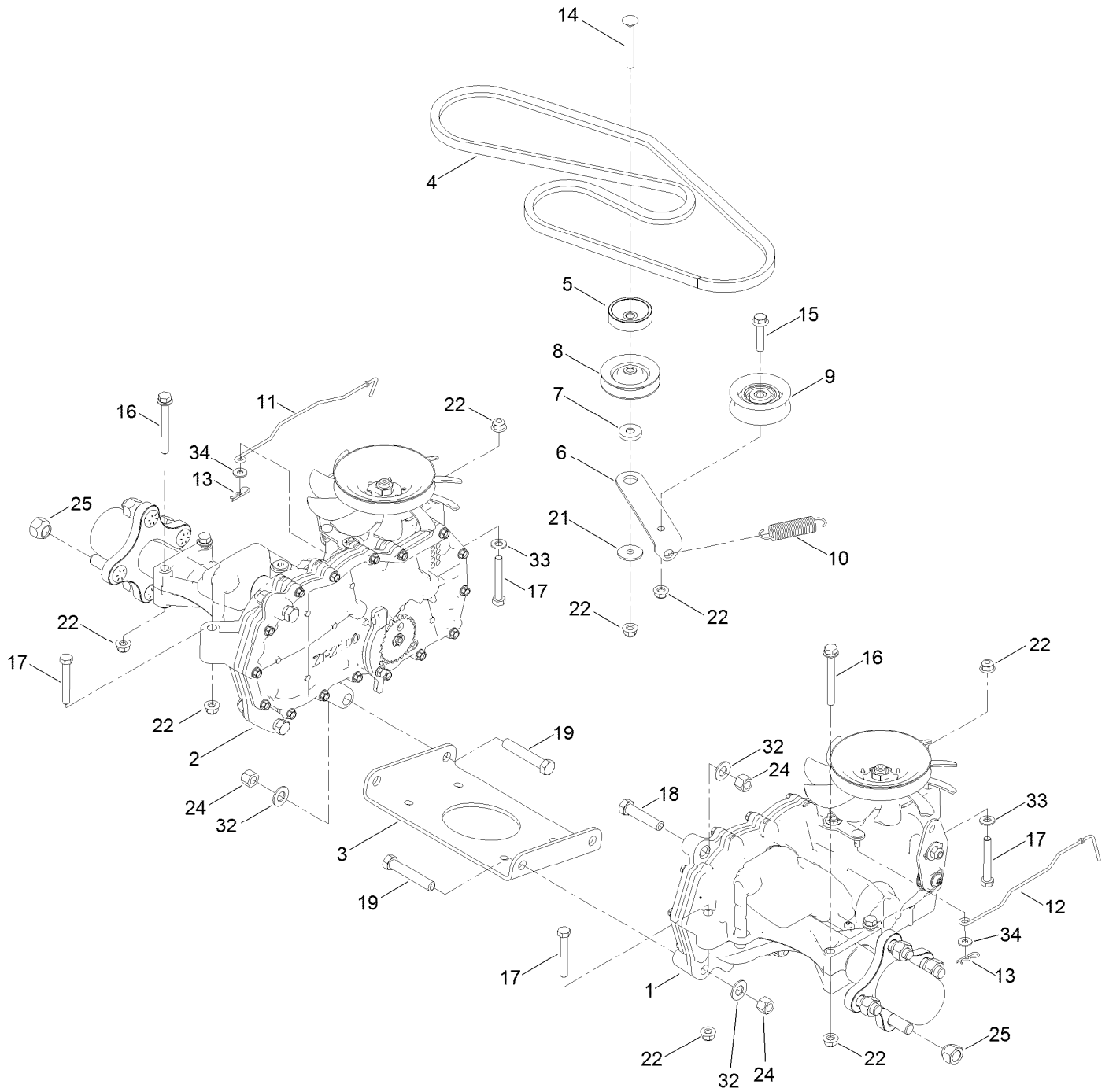
Caster, Wheel and Tire Assembly



Caster, Wheel and Tire Assembly (continued)

<i>Ref.</i>	<i>Part Number</i>	<i>Qty.</i>	<i>Description</i>	<i>Ref.</i>	<i>Part Number</i>	<i>Qty.</i>	<i>Description</i>
1	138-9839-01	2	Fork ASM	5	138-9803	2	Spacer-Spanner
2	139-5843	2	Tire ASM	6	325-36	2	Screw-HH
2:1	140-0374	1	Tire	7	99-5107	2	Nut-Lock
2:3	232-27	1	Stem-Valve	8	3256-68	2	Washer-Flat
2:4	114-1640	2	Bushing-Flange	9	3234-47	2	Screw-HHF
2:5	302-5	1	Fitting-Grease				

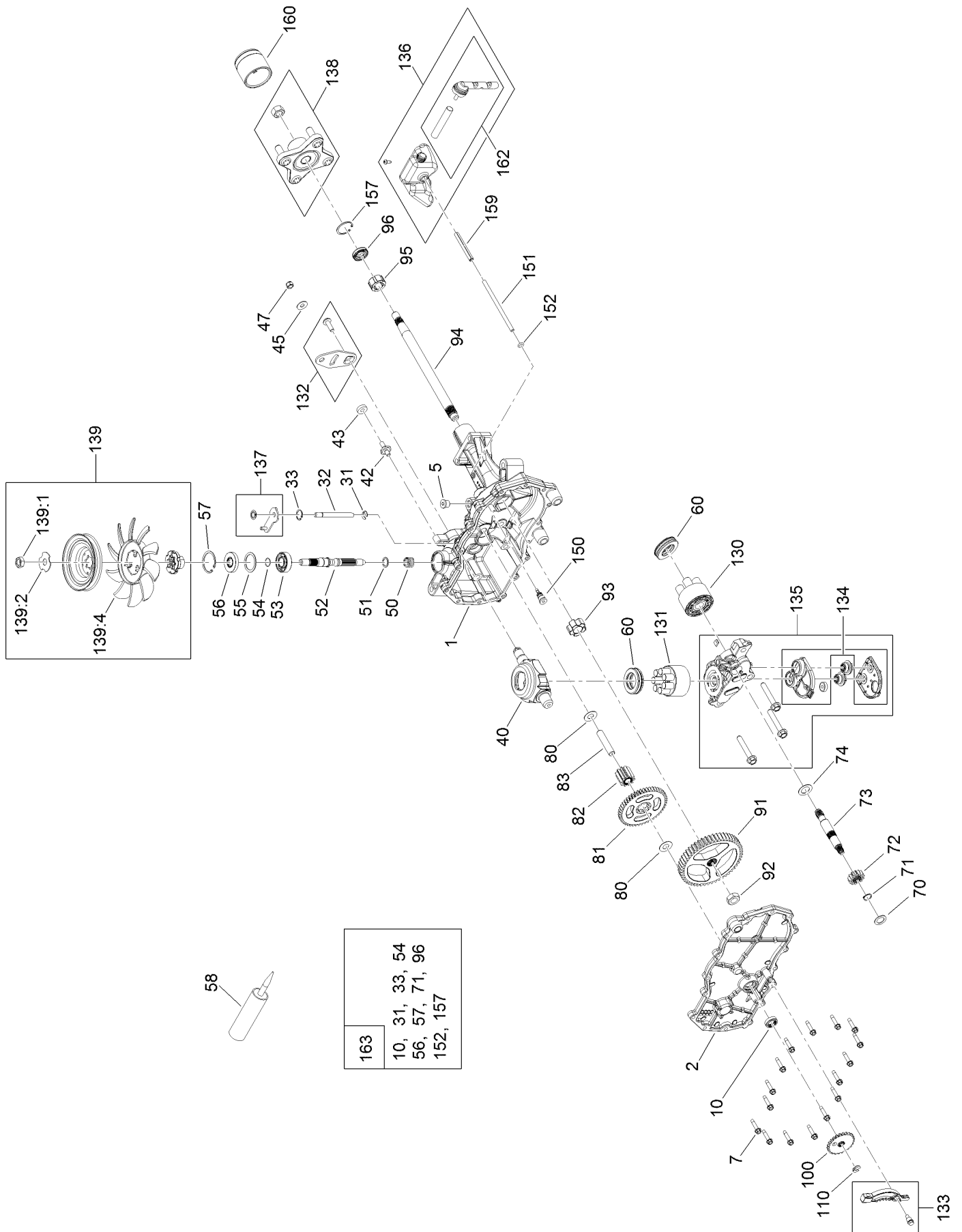
Traction Drive Assembly



Traction Drive Assembly (continued)

<i>Ref.</i>	<i>Part Number</i>	<i>Qty.</i>	<i>Description</i>	<i>Ref.</i>	<i>Part Number</i>	<i>Qty.</i>	<i>Description</i>
1	139-7450	1	LH Hydro Transaxle ASM	14	3230-8	1	Screw-CARR
2	139-7451	1	RH Hydro Transaxle ASM	15	115-1794	1	Screw-HHF
3	138-2571-03	1	Crossplate-Hydro	16	138-7590	4	Screw-HHF
4	139-2399	1	V-Belt	17	322-11	4	Screw-HH
5	138-9809	1	Spacer	18	324-8	2	Screw-HH
6	138-7276	1	Arm-Idler	19	324-10	4	Screw-HH
7	138-7277	1	Spacer-Arm, Idler	21	5-4460	1	Washer-Pivot
8	68-0030	1	Idler	22	104-8300	10	Nut-HF, NI
9	138-7597	1	Pulley-Idler, Flat	24	3296-48	6	Nut-Hex
10	137-7040	1	Spring-Return, Pedal	25	242-50	8	Nut-Lug
11	138-7245	1	Rod-Bypass, RH	32	3256-25	6	Washer-Flat
12	138-7243	1	Rod-Bypass, LH	33	3256-23	2	Washer-Plain
13	3290-307	2	Pin-Cotter	34	119-8952	2	Washer

LH Hydro Transmission Assembly No. 139-7450

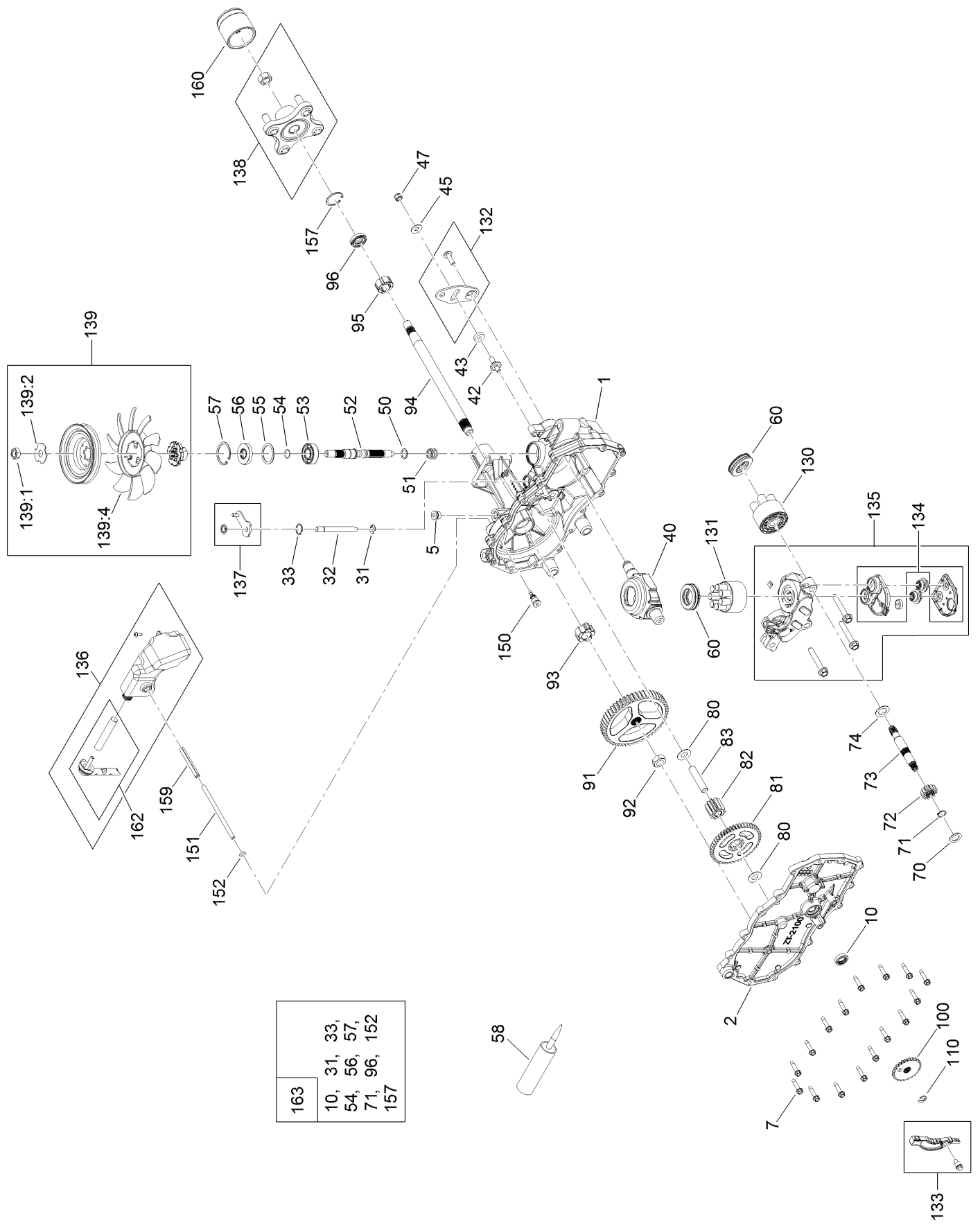


LH Hydro Transmission Assembly No. 139-7450 (continued)

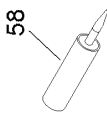
<i>Ref.</i>	<i>Part Number</i>	<i>Qty.</i>	<i>Description</i>	<i>Ref.</i>	<i>Part Number</i>	<i>Qty.</i>	<i>Description</i>
1	120-5532	1	Main Housing ASM	83	104-5329	1	Pin-Jackshaft
2	120-5534	1	Housing Side Kit	91	120-5539	1	Gear-Bull
5	104-2189	1	Plug-Thread, Straight	92	104-2142	1	Nut-HJ
7	117-5359	16	Screw-HHF	93	115-8314	1	Bushing-Inboard
10		1	Seal-Lip ●	94	120-5540	1	Shaft-Axle
31	106-8677	1	Ring-Retaining, External	95	120-5541	1	Bearing-Sleeve
32	106-8678	1	Rod-Bypass	96	120-5542	1	Seal-Lip
33	106-8679	1	Ring-Retaining, Internal	100	106-8694	1	Disc-Brake, Cog
40	104-5304	1	Swashplate-Trunnion	110	106-8677	1	Ring-Retaining, External
42	104-2116	1	Stud	130	103-2666	1	Cylinder Block Kit
43	112-9853	1	Puck-Friction	131	110-8561	1	Pump Block ASM
45	114-8491	1	Washer	132	117-5362	1	Control Arm Kit
47	105-1872	1	Nut	133	106-8688	1	Brake Arm Kit
50	133-1793	1	Spring-Block	134	112-9861	1	Center Section Filter Kit
51	120-5538	1	Washer	135	114-1634	1	Filter Kit
52	104-5306	1	Shaft-Input	136	121-5730	1	RH Expansion Tank Kit
53	104-5311	1	Bearing-Ball	137	120-5549	1	Bypass Kit
54	104-5307	1	Ring-Retaining	138	121-5731	1	Hub Kit
55	104-5308	1	Spacer	139	135-7349	1	Fan And Pulley Kit
56	104-5310	1	Seal-Lip	139:1	116-9714	1	Nut-HJ
57	104-5309	1	Ring-Retaining	139:2	116-9708	1	Washer-Slotted
58	104-2147	1	Sealant	139:4	135-7364	1	Fan 7.0 X 10 Blade
60	94-6922	2	Bearing-Thrust	150	104-5349	1	Fitting-SAE
70	104-5339	1	Washer-Flat	151	115-8302	1	Hose
71	104-5340	1	Ring-Retaining	152	104-5361	1	O-Ring
72	104-5316	1	Gear-Pinnion, 13T	157	120-7102	1	Ring-Retaining
73	106-8683	1	Shaft-Motor	159	121-5728	1	Case-Tube
74	104-5360	1	Washer	160	125-0041	1	Cap-Axle
80	119-5541	1	Washer	162	139-3278	1	Breather ASM Kit
81	104-5317	1	Gear-10T/48T	163	120-7103	1	Seal And Ring Kit
82	104-5318	1	Gear-Jackshaft, 10T				

● Not serviced separately

RH Hydro Transmission Assembly No. 139-7451



- | | |
|-----|--|
| 163 | 10, 31, 33, 54, 56, 57, 71, 96, 152, 157 |
|-----|--|



RH Hydro Transmission Assembly No. 139-7451 (continued)

<i>Ref.</i>	<i>Part Number</i>	<i>Qty.</i>	<i>Description</i>	<i>Ref.</i>	<i>Part Number</i>	<i>Qty.</i>	<i>Description</i>
1	120-5531	1	Main Housing ASM	83	104-5329	1	Pin-Jackshaft
2	120-5533	1	Housing Side Kit	91	120-5539	1	Gear-Bull
5	104-2189	1	Plug-Thread, Straight	92	104-2142	1	Nut-HJ
7	117-5359	16	Screw-HHF	93	115-8314	1	Bushing-Inboard
10		1	Seal-Lip ●	94	120-5540	1	Shaft-Axle
31	106-8677	2	Ring-Retaining, External	95	120-5541	1	Bearing-Sleeve
32	106-8678	1	Rod-Bypass	96	120-5542	1	Seal-Lip
33	106-8679	1	Ring-Retaining, Internal	100	106-8694	1	Disc-Brake, Cog
40	104-5304	1	Swashplate-Trunnion	110	106-8677	1	Ring-Retaining, External
42	104-2116	1	Stud	130	103-2666	1	Cylinder Block Kit
43	112-9853	1	Puck-Friction	131	110-8561	1	Pump Block ASM
45	114-8491	1	Washer	132	117-5362	1	Control Arm Kit
47	105-1872	1	Nut	133	106-8688	1	Brake Arm Kit
50	120-5538	1	Washer	134	112-9862	1	Center Section Filter Kit
51	133-1793	1	Spring-Block	135	114-1634	1	Filter Kit
52	104-5306	1	Shaft-Input	136	121-5735	1	LH Expansion Tank Kit
53	104-5311	1	Bearing-Ball	137	107-2489	1	Bypass Arm Kit
54	104-5307	1	Ring-Retaining	138	121-5731	1	Hub Kit
55	104-5308	1	Spacer	139	135-7349	1	Fan And Pulley Kit
56	104-5310	1	Seal-Lip	139:1	116-9714	1	Nut-HJ
57	104-5309	1	Ring-Retaining	139:2	116-9708	1	Washer-Slotted
58	104-2147	1	Sealant	139:4	135-7364	1	Fan 7.0 X 10 Blade
60	94-6922	2	Bearing-Thrust	150	104-5349	1	Fitting-SAE
70	104-5339	1	Washer-Flat	151	115-8302	1	Hose
71	104-5340	1	Ring-Retaining	152	104-5361	1	O-Ring
72	104-5316	1	Gear-Pinion, 13T	157	120-7102	1	Ring-Retaining
73	106-8683	1	Shaft-Motor	159	121-5728	1	Case-Tube
74	104-5360	1	Washer	160	125-0041	1	Cap-Axle
80	119-5541	1	Washer	162	139-3278	1	Breather ASM Kit
81	104-5317	1	Gear-10T/48T	163	120-7103	1	Seal And Ring Kit
82	104-5318	1	Gear-Jackshaft, 10T				

● Not serviced separately

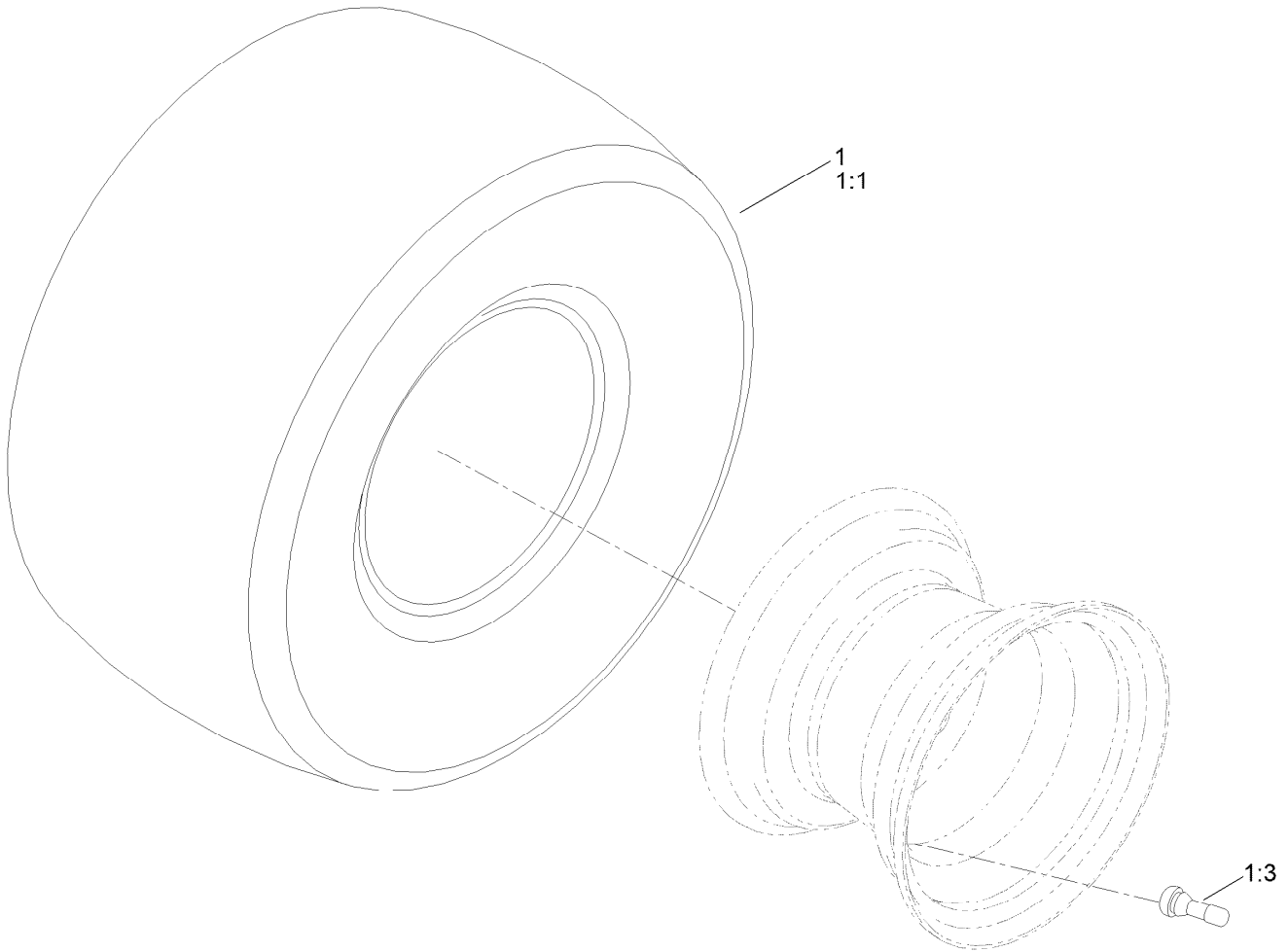
Brake Assembly



Brake Assembly (continued)

<i>Ref.</i>	<i>Part Number</i>	<i>Qty.</i>	<i>Description</i>	<i>Ref.</i>	<i>Part Number</i>	<i>Qty.</i>	<i>Description</i>
1	138-2514	1	Brake Box ASM	7	3290-307	2	Pin-Cotter
2	133-9284-03	1	Bracket-Mount, Brake	8	32144-36	4	Screw-PPH
3	138-2591	1	Rod-Brake, LH	9	32144-4	2	Screw-HWH
4	138-2592	1	Rod-Brake, RH	10	119-8952	6	Washer
5	117-1169	4	Spring-Compression	11	3296-42	2	Nut-Lock, NI

Rear Tire Assembly

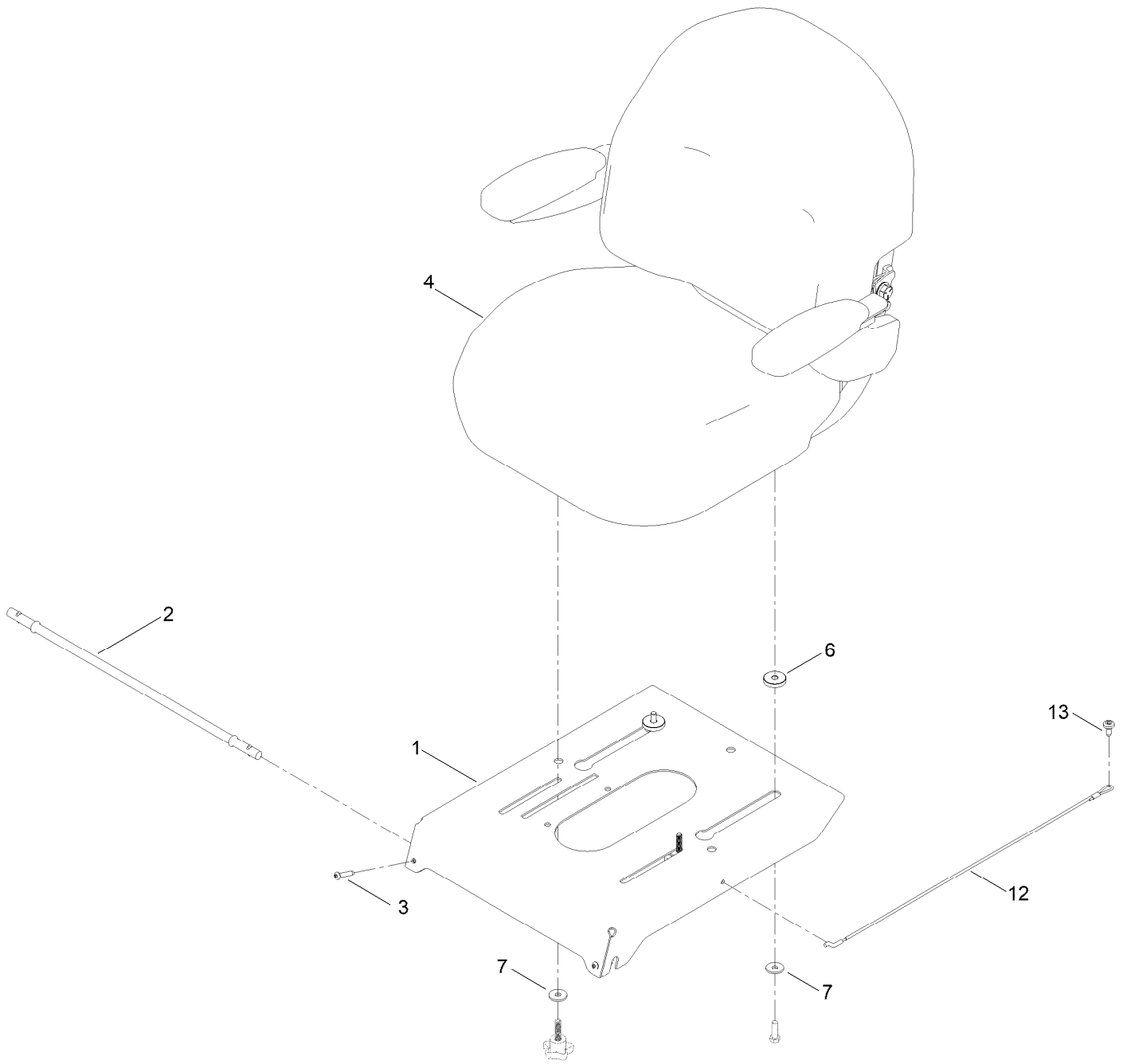


Rear Tire Assembly (continued)

<i>Ref.</i>	<i>Part Number</i>	<i>Qty.</i>	<i>Description</i>	<i>Ref.</i>	<i>Part Number</i>	<i>Qty.</i>	<i>Description</i>
1	139-5848	2	Tire ASM	1:3	232-27	1	Stem-Valve
1:1	120-6451	1	Tire	1:99	232-37	1	Tube ●

● Not illustrated

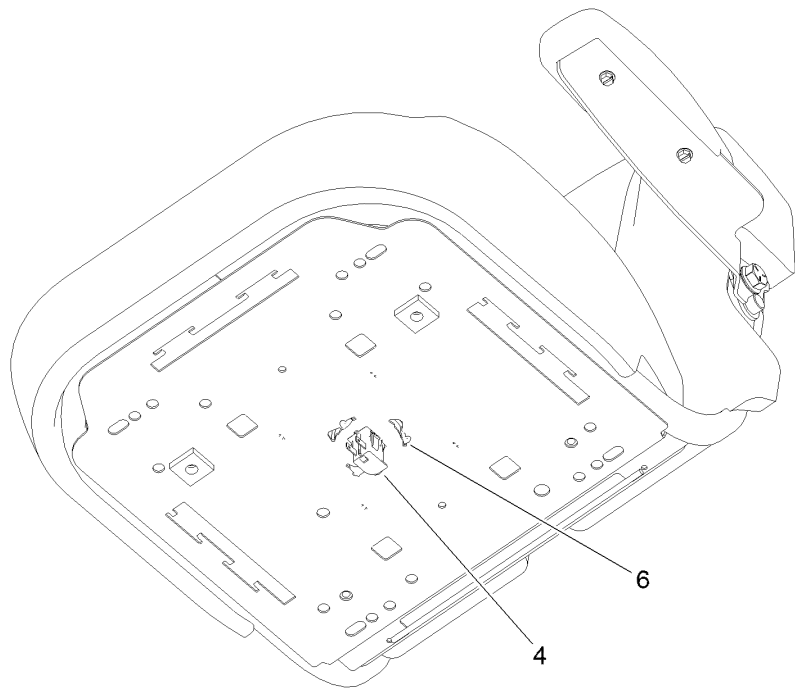
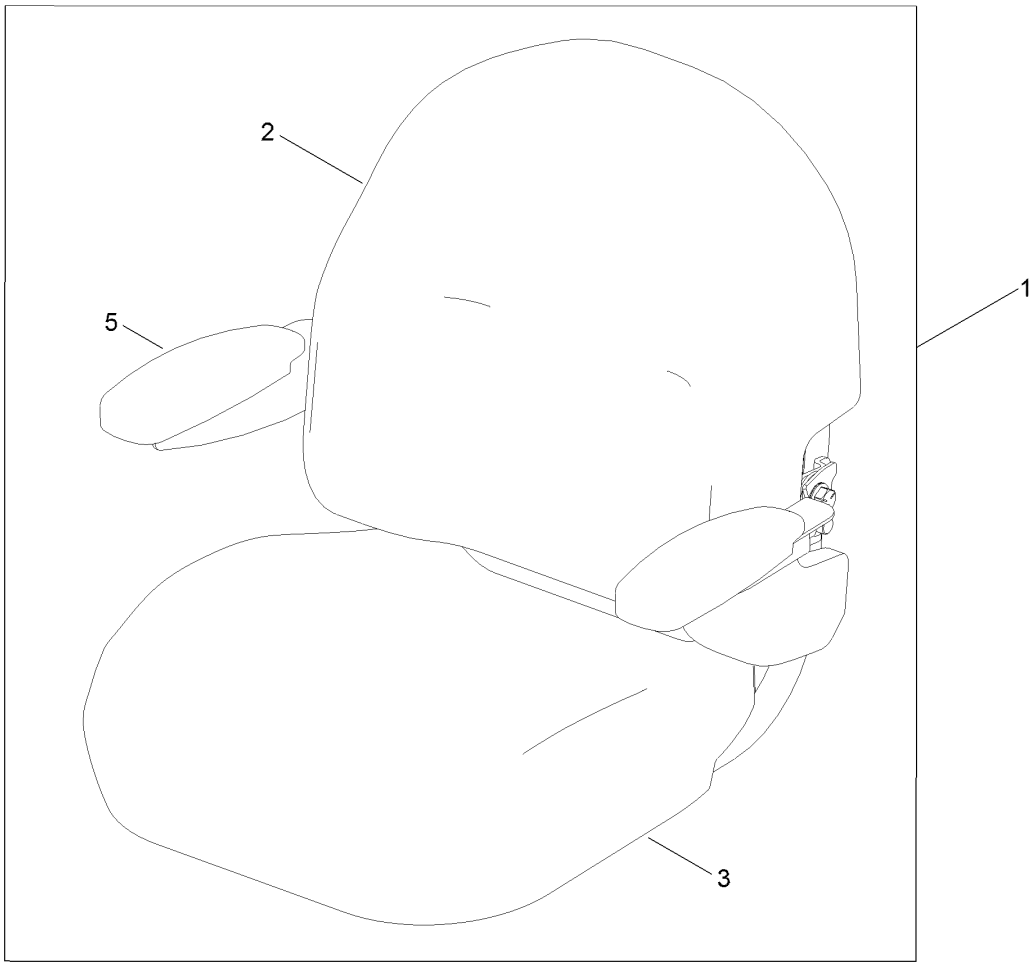
Set Pan Assembly



Set Pan Assembly (continued)

<i>Ref.</i>	<i>Part Number</i>	<i>Qty.</i>	<i>Description</i>	<i>Ref.</i>	<i>Part Number</i>	<i>Qty.</i>	<i>Description</i>
1	138-9775-03	1	Pan-Seat, Deluxe	6	139-2377	2	Spacer-Stepped
2	138-7555	1	Rod-Pivot	7	1-603716	4	Washer-Friction
3	108-0035	2	Screw	12	139-2398	1	Cable-Lanyard
4	140-5043	1	Seat ASM	13	120-7950	1	Screw-Torx

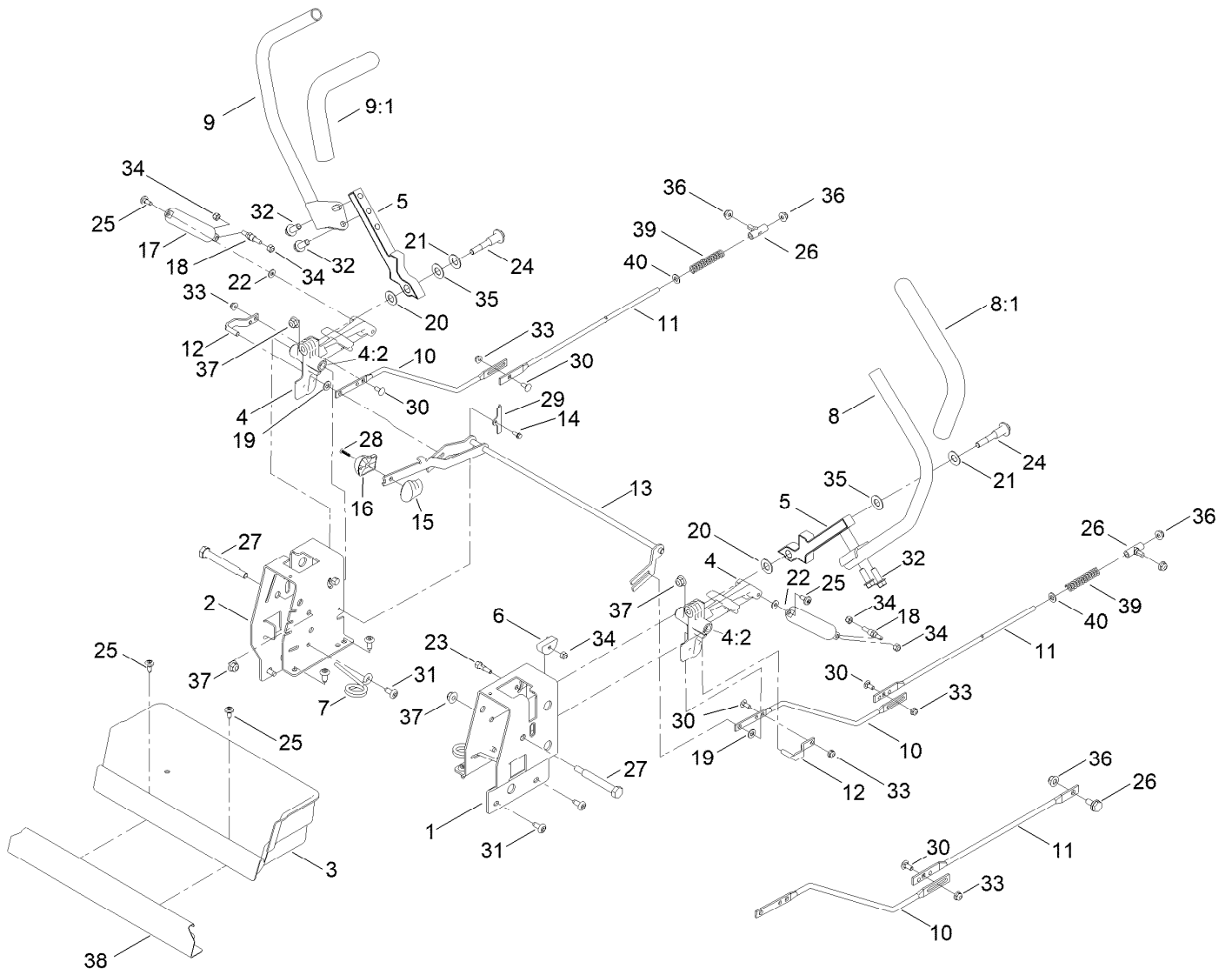
Seat Assembly No. 140-5043



Seat Assembly No. 140-5043 (continued)

<i>Ref.</i>	<i>Part Number</i>	<i>Qty.</i>	<i>Description</i>	<i>Ref.</i>	<i>Part Number</i>	<i>Qty.</i>	<i>Description</i>
1	139-7546	1	Seat ASM	4	82-2190	1	Switch-Bail
2	140-5041	1	Cover-Seat Back	5	139-5823	1	Arm Rest Kit
3	140-5042	1	Cover-Seat Base	6	140-3468	1	Cap-Switch, Actuator

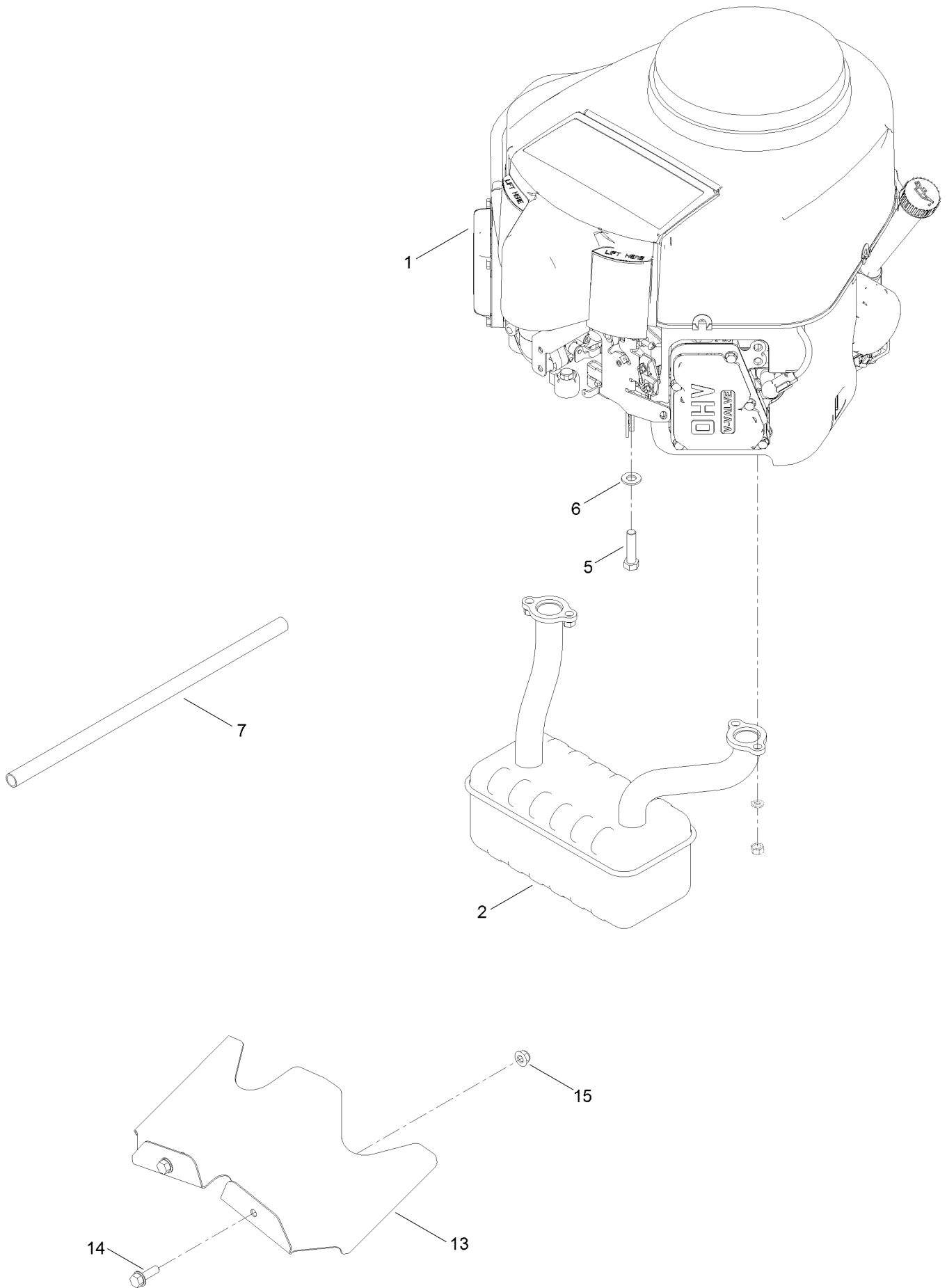
Motion Control Assembly



Motion Control Assembly (continued)

<i>Ref.</i>	<i>Part Number</i>	<i>Qty.</i>	<i>Description</i>	<i>Ref.</i>	<i>Part Number</i>	<i>Qty.</i>	<i>Description</i>
1	138-7598-03	1	Plate-Control Box, LH	20	120-2273	2	Washer-Nylon
2	138-7599-03	1	Plate-Control Box, RH	21	119-8925	2	Washer-Belleville
3	139-3279	1	Box-Storage	22	119-8952	2	Washer
4	119-3470	2	Actuator Arm ASM	23	139-5811	2	Bolt-Pivot, Eccentric
4:2	256-156	2	Bushing-Flange	24	117-1198	2	Bolt-Pivot
5	133-9299-05	2	Arm-Control	25	120-7950	4	Screw-Torx
6	139-5803	2	Eccentric	26	138-7218	2	Mount-Rod, Hydro
7	138-7539	2	Spring-Torsion	27	115-5099	2	Bolt-Pivot
8	133-7055	1	Handle-Control, LH	28	94-4496	1	Screw-PPH
8:1	121-0726	1	Grip	29	32144-1	2	Screw-Taptite
9	133-7057	1	Handle-Control, RH	30	3229-11	4	Screw-CARR
9:1	121-0726	1	Grip	31	138-9753	10	Screw
10	138-2580	2	Rod-Hydro, Front	32	3234-42	4	Screw-HHF
11	144-1818	2	Rod-Hydro, Rear	33	104-7201	4	Nut-HF, NI
12	121-1753	2	Pin-Rod, Hydro	34	3296-42	6	Nut-Lock, NI
13	138-9750	1	Speed Control ASM	35	117-1240	2	Washer
14	138-7541	2	Plate-Retainer	36	119-4041	2	Nut-HF
15	132-9368	1	Knob-RH	37	104-8301	4	Nut-HF, NI
16	132-9369	1	Knob-LH	38	139-3280-01	1	Plate-Kick
17	132-6853	2	Damper-Non Cavitating	39	138-7252	2	Spring-Compression
18	138-7215	2	Stud-Damper	40	120-9683	2	Washer-Plain
19	93-6079	2	Spacer-Nylon				

Engine and Muffler Assembly



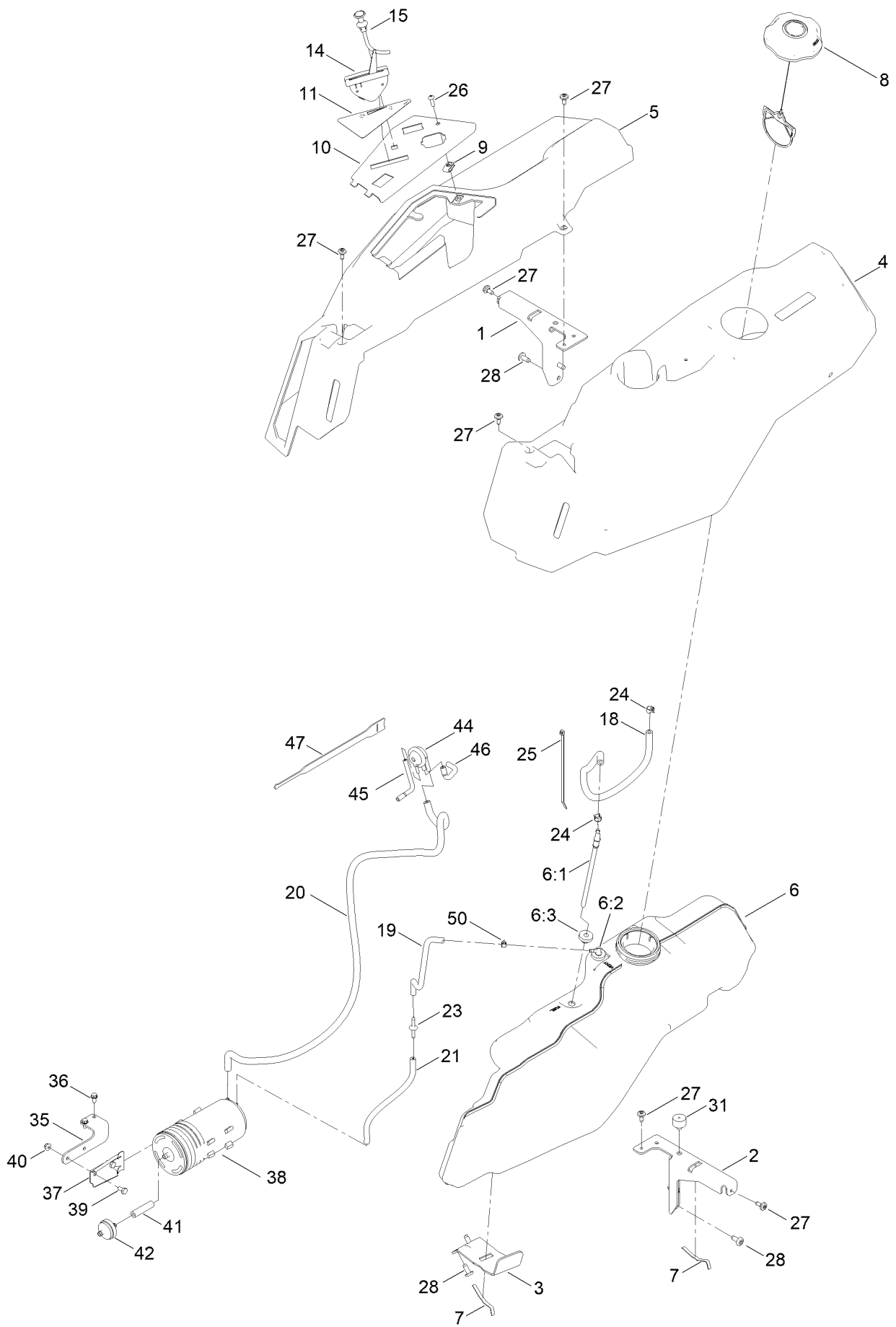
Engine and Muffler Assembly (continued)

<i>Ref.</i>	<i>Part Number</i>	<i>Qty.</i>	<i>Description</i>	<i>Ref.</i>	<i>Part Number</i>	<i>Qty.</i>	<i>Description</i>
1		1	Engine-Kawasaki, Fr691V-As26-R ●■	7	106-7022	1	Tube-Drain, Oil
2	139-5867	1	Muffler	13	140-5126-03	1	Shield-Heat
5	323-50	4	Bolt-HH	14	3234-29	2	Screw-HHF
6	3256-24	3	Washer-Flat	15	104-8300	2	Nut-HF, NI

● Not serviced separately

■ Obtain parts from www.kawpower.com

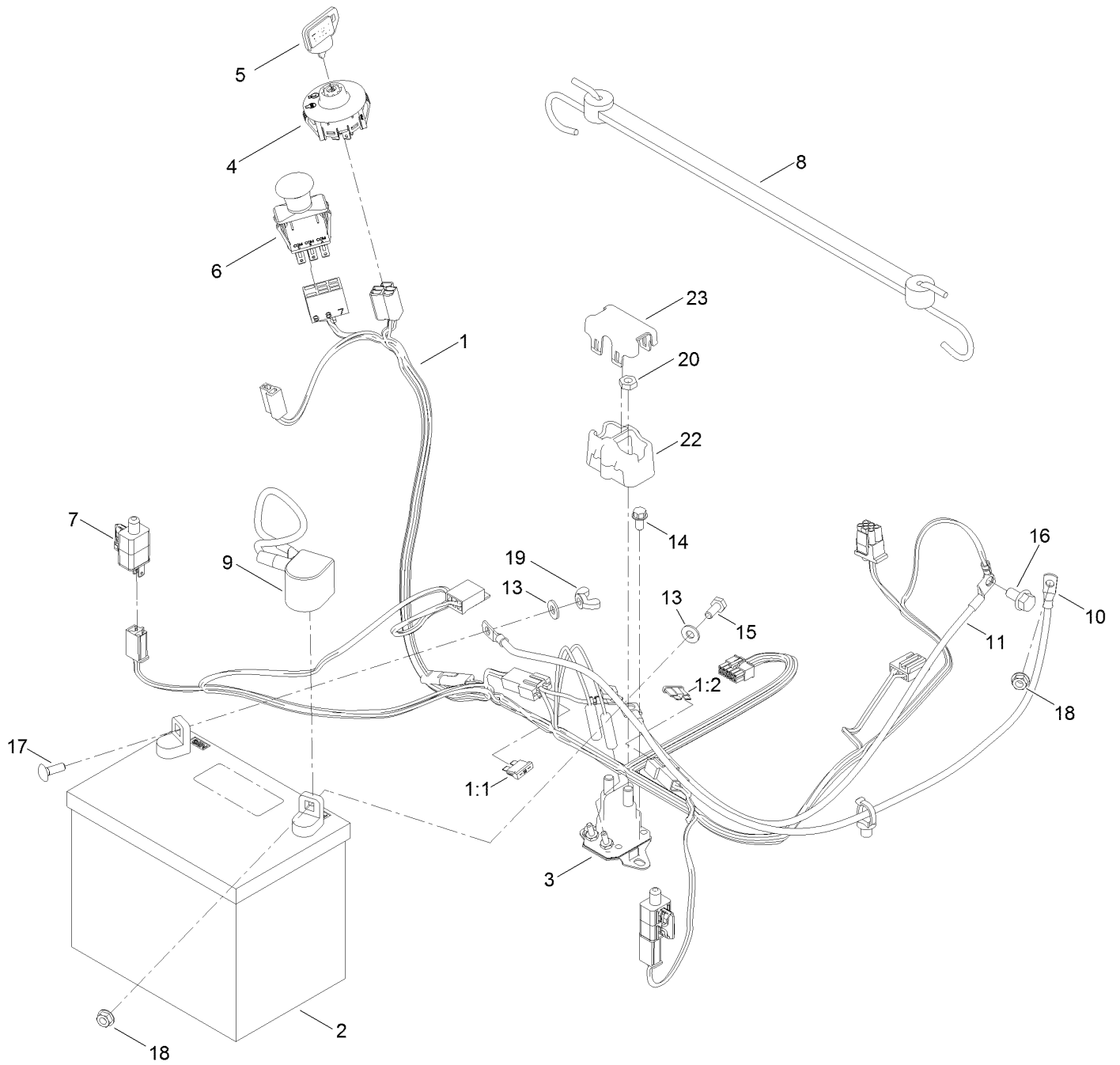
Fuel Pod Assembly



Fuel Pod Assembly (continued)

<i>Ref.</i>	<i>Part Number</i>	<i>Qty.</i>	<i>Description</i>	<i>Ref.</i>	<i>Part Number</i>	<i>Qty.</i>	<i>Description</i>
1	138-6070-03	1	Support-Pod, RH	23	144-1983	1	Adapter Orifice
2	138-6071-03	1	Support-Pod, LH	24	2412-98	2	Clamp-Hose
3	139-3271-03	1	Support-Tank, Fuel	25	614249	5	Tie-Cable
4	138-6074	1	Pod-LH	26	3258-166	1	Screw-PRH
5	138-6075	1	Pod-RH	27	120-7950	6	Screw-Torx
6	144-5304	1	Tank-Fuel ASM	28	138-9753	6	Screw
6:1	139-1091	1	Connector-Elbow, 90 DEG	31	120-7893	1	Bumper-Grommet
6:2	144-5302	1	Fitting-Elbow 90	35	139-5853-03	1	Bracket-Canister, Carbon
6:3	46-6560	2	Bushing	36	32144-4	2	Screw-HWH
7	609830	2	Spring	37	114-0292	1	Bracket-Canister, Carbon
8	137-4119	1	Cap-Fuel, Ratcheting	38	117-1221	1	Canister-Carbon, 800Cc
9	107069	1	Clip	39	321-2	2	Screw-HH
10	139-2380-03	1	Panel - Control	40	104-7201	2	Nut-HF, NI
11	139-2391	1	Decal-Panel, Control	41	99-9415	1	Hose-Fuel
14	139-2403	1	Cable-Throttle	42	115-7854	1	Filter-Fuel, Inline
15	139-2402	1	Cable-Choke	44	116-2232	1	Valve-Control, Vacuum
18	109-0299	1	Hose-Fuel	45	119-8501	1	Hose-Vent, Formed
19	136-6345	1	Hose-Fuel	46	119-8502	1	Hose-Vent, Formed
20	110-7502	1	Hose-Fuel	47	116-2469	1	Strap-Velcro, Cable Tie
21	138-0868	1	Hose-Fuel	50	2412-80	1	Clamp-Hose

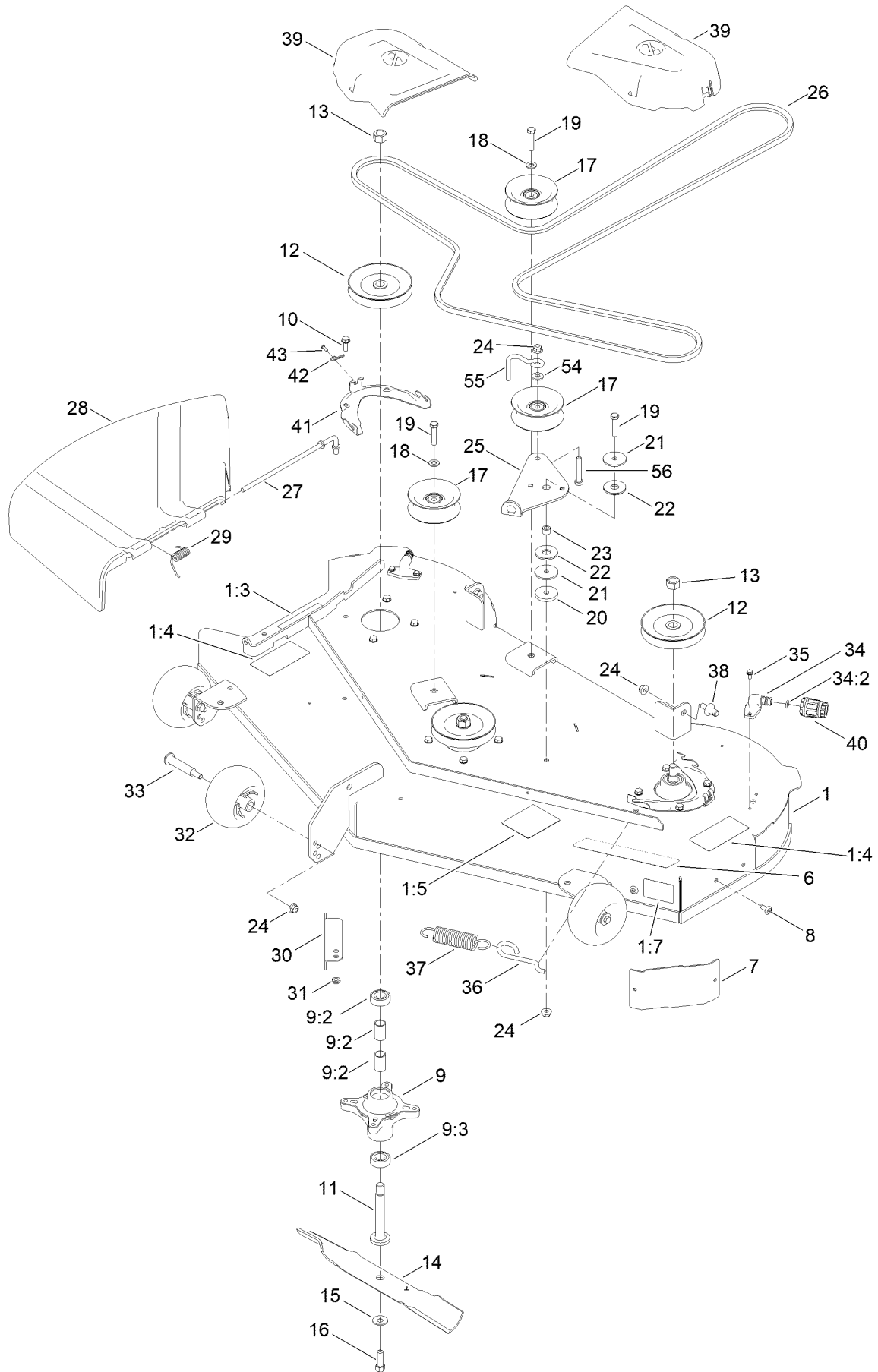
Electrical Assembly



Electrical Assembly (continued)

<i>Ref.</i>	<i>Part Number</i>	<i>Qty.</i>	<i>Description</i>	<i>Ref.</i>	<i>Part Number</i>	<i>Qty.</i>	<i>Description</i>
1	138-2521	1	Harness-Wire	11	110-6793	1	Cable-Battery, Black
1:1	109355	1	Fuse-Blade, 15 Amp	13	3256-22	2	Washer-Flat
1:2	109102	1	Fuse-Blade, 25 Amp	14	32144-4	2	Screw-HWH
2	105-1692	1	Battery, 230CCA W/O Electrolyte	15	321-3	1	Screw-HH
3	117-1197	1	Solenoid	16	33104-016	1	Screw-HHF
4	137-4100	1	Switch-Ignition	17	3229-1	1	Screw-CARR
5	63-8360	1	Key-Ignition	18	32128-33	2	Nut-HF
6	103-5221	1	Switch-PTO	19	32103-22	1	Nut-Wing
7	110-6765	2	Switch	20	3220-2	2	Nut-Jam
8	139-2381	1	Strap-Rubber	22	140-2080	1	Cover-Solenoid
9	140-2713	1	Cable-Battery, Pos	23	140-2081	1	Cap-Solenoid
10	139-2431	1	Cable-Battery, Red (8 Gauge)				

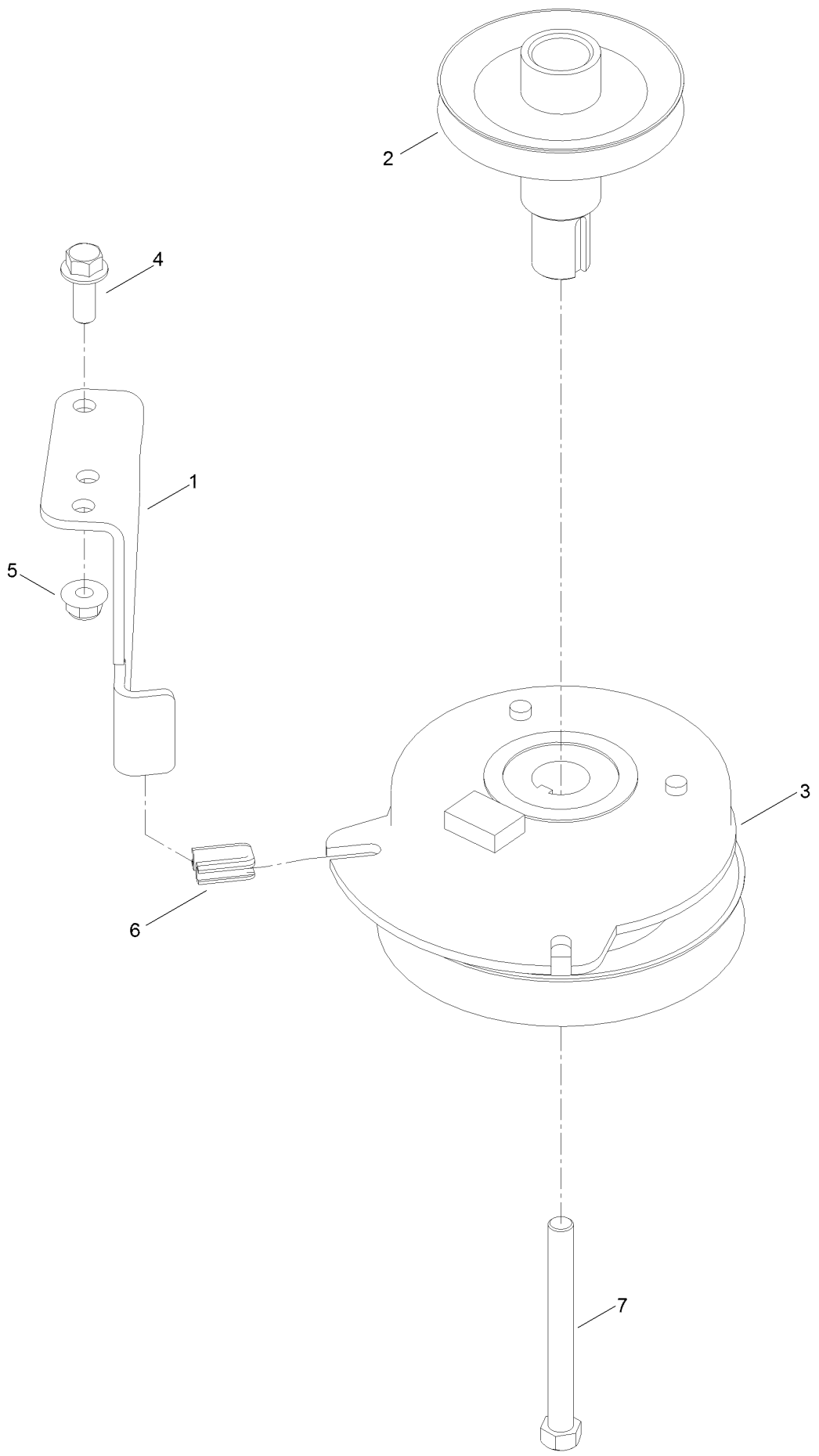
50in Deck and Decal Assembly



50in Deck and Decal Assembly (continued)

<i>Ref.</i>	<i>Part Number</i>	<i>Qty.</i>	<i>Description</i>	<i>Ref.</i>	<i>Part Number</i>	<i>Qty.</i>	<i>Description</i>
1	138-9764	1	50 Inch Deck And Decal ASM	23	115-4986	1	Spacer
1:3	93-7009	1	Decal-Danger	24	104-8301	7	Nut-HF, NI
1:4	132-0872	2	Decal-Danger, Deck	25	138-7262	1	Arm-Idler
1:5	99-3943	1	Decal-Routing, Belt	26	119-8820	1	V-Belt
1:7	112-9840	1	Decal-Scalp, Anti	27	137-2019	1	Rod-Pivot
6	139-3208	1	Decal-Deck	28	138-7502	1	Deflector-Discharge
7	139-2448-03	1	Baffle-Corner	29	138-7268	1	Spring-Torsion
8	138-9753	2	Screw	30	138-9800-03	1	Baffle-Cutoff
9	139-3214	3	Spindle ASM	31	3296-59	1	Nut-Lock, NI
9:2	120-7935	2	Spacer	32	1-603299	3	Roller-Scalp, Anti
9:3	138-9770	2	Bearing-Ball	33	112-3977	3	Bolt-Shoulder
10	32144-41	12	Screw-Taptite	34	133-9289	2	Fitting-Washout
11	117-7268	3	Shaft-Spindle	34:2	133-9290	1	O-Ring
12	139-7454	3	Pulley	35	32144-4	4	Screw-HWH
13	3219-6	3	Nut-Hex	36	138-7266	1	Spring-Return, Hook
14	115-5059-03	3	Blade-Hi Lift	37	138-7264	1	Spring-Extension
15	3290-465	3	Washer-Belleville	38	139-5871	2	Pin-Deck
16	26-0671	3	Screw-HH	39	144-1906	2	Cover-Belt
17	132-9420	3	Pulley-Idler, Flat	40	95-3270	1	Connector-Hose
18	3256-24	2	Washer-Flat	41	139-3272-03	2	Bracket-Cover, Belt
19	323-9	3	Screw-HH	42	144-1944	2	Pin-Hair
20	110-9981	1	Washer-Plain	43	94-6961	2	Screw
21	63-7400	2	Washer-Rebound	54	138-7207	1	Spacer-Hub, Blower
22	114-0463	2	Washer-Friction, Composite	55	138-7270	1	Guide-Belt, Idler
				56	323-11	1	Screw-HH

Clutch Assembly



Clutch Assembly (continued)

<i>Ref.</i>	<i>Part Number</i>	<i>Qty.</i>	<i>Description</i>	<i>Ref.</i>	<i>Part Number</i>	<i>Qty.</i>	<i>Description</i>
1	137-7000	1	Stop-Clutch (Wide)	5	104-8301	1	Nut-HF, NI
2	138-9792	1	Pulley-Engine	6	120-2217	1	Isolator-Clutch
3	127-3408	1	Clutch-PTO	7	3212-17	1	Screw-HH
4	3234-42	1	Screw-HHF				

Attachments and Accessories

For 75753 TimeCutter 5000C Riding Mower

Product Name	Model/Part
Hourmeter Kit	116-5461
Seat Cover w/Arm Rest	117-0097
Jack Kit.....	127-6666
Fuel Stabilizer .05 oz	130-2393
4-Cycle Fuel, Snow And Lawn 32oz Can	131-3823
Toro Premium Fuel Treatment 12 Oz Bottle	131-6572
50 Inch Recycler Kit.....	139-3240
50 Inch Bagging Enhancement Kit.....	139-7459
Front Weight Kit.....	140-2050
Assist Bar Kit	140-2052
Sunshade Kit	140-2054
LED Light Kit.....	140-2056
Floormat Kit	140-2060
Jack Mount Kit	140-2711
50 Inch Striping Kit.....	140-5160
10w30 4-Cycle Engine Oil (32oz Bottle).....	38280
Toro 4-Cycle SAE 30 Oil (32oz Bottle)	38903
Storage Cover	490-7516
Mower Deck Drive Belt, TimeCutter SS Riding Mower with 50-inch Mowing Deck.....	79005
Blade Kit	79016P
Twin Bagger, Timecutter 50/54 Inch Fab.....	79412
ROPS Kit	79485
Slope Sensor Kit.....	79486

Notes:

Notes:

Notes:



Count on it.