



Count on it.

Parts Catalog

48cm 60V Super Recycler®

Model No. 21848—Serial No. 411700000 and Up



Ordering Replacement Parts

To order replacement parts, please supply the part number, the quantity, and the description of each part desired.

Understanding Reference Numbers

Each identified part in an illustration has a reference number. The reference number for a part also appears in the parts list, along with other information about the part.

This catalog uses two special reference number formats, one to indicate parts in a service assembly and another to indicate the quantity of a given part in an illustration.

Service Assembly Reference Numbers

Parts in service assemblies have reference numbers in the form a:b. The a represents the reference number of the entire service assembly and the b represents a sequential number unique to each part within the service assembly.

For example, a wheel assembly might be identified by reference number 6, the tire by 6:1, the valve by 6:2, and the wheel by 6:3. When you order the assembly identified by reference number 6, you receive all parts identified by reference numbers 6:1, 6:2, and 6:3. However, you may also order any part individually. Reference numbers of this type appear in illustration and in parts lists.

Reference Numbers Indicating Quantity

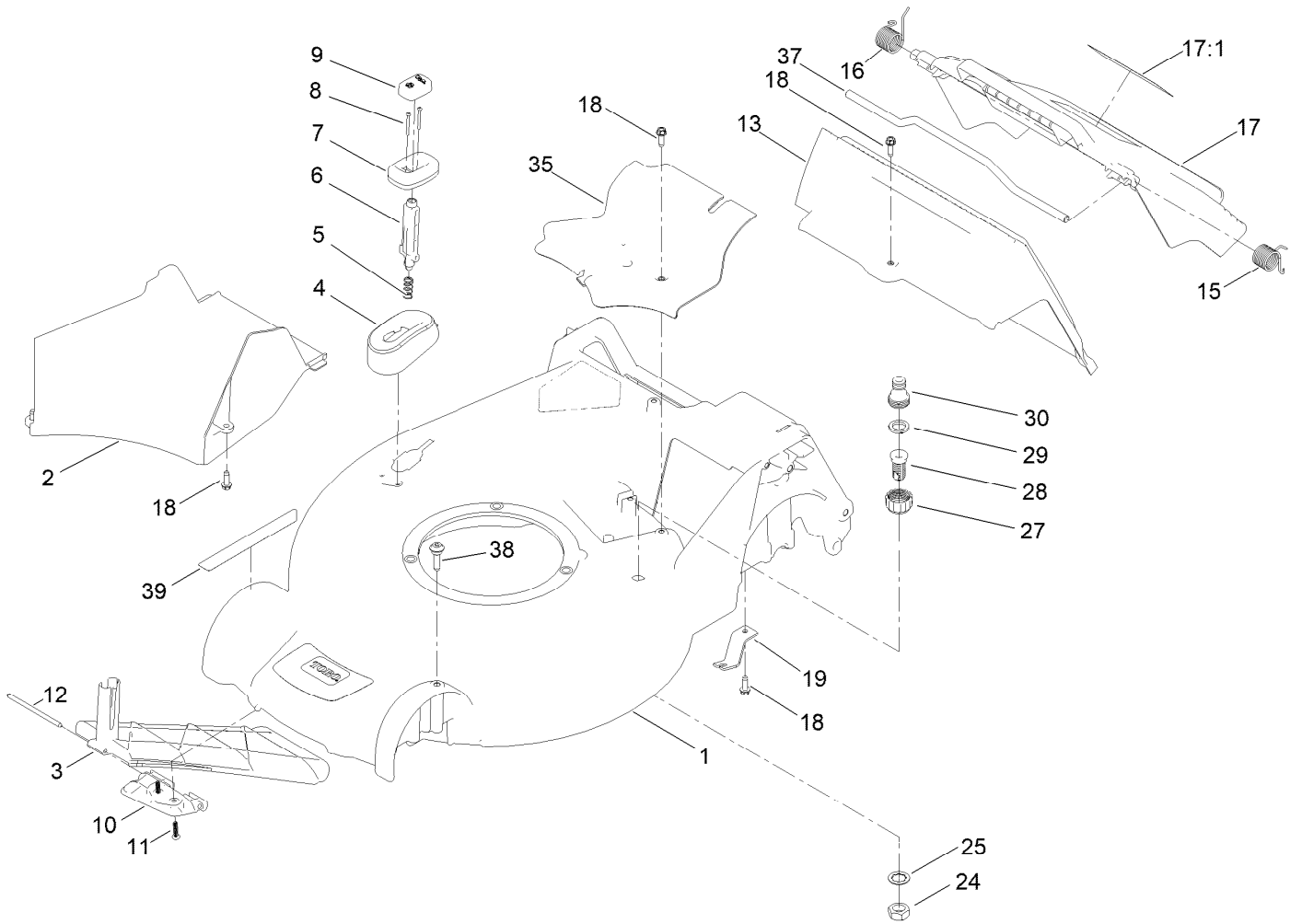
In an illustration, if a reference number indicates more than one part, the reference number has the form nX y. The n represents the quantity of the part, the X is the multiplication symbol, and the y represents the reference number.

For example, in an illustration, the reference number 2X 37 means that two of the parts identified by reference number 37 are indicated.

Contents

Housing Assembly	4
Housing Decal Assembly No. 117-4093	6
Bag and Frame Assembly	8
Engine and Blade Assembly	10
Lower Shroud Assembly Motor Module Assembly No. 140-4213	12
Upper Shroud Assembly Motor Module Assembly No. 140-4213	14
Traction Drive Assembly	16
Transmission Bracket Assembly	18
Handle Assembly	20
Starter Switch Assembly	22
Attachments and Accessories	24

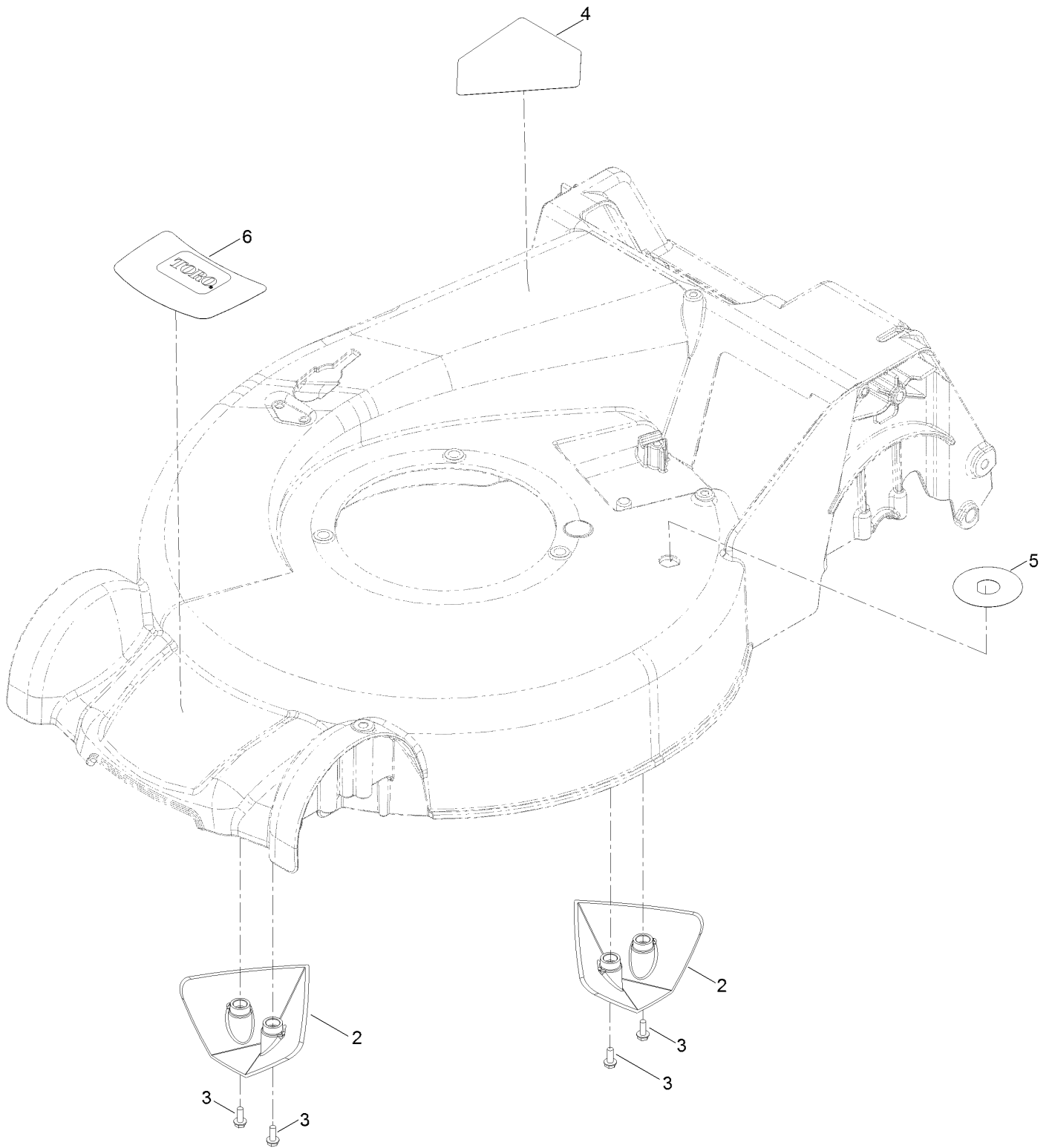
Housing Assembly



Housing Assembly (continued)

<i>Ref.</i>	<i>Part Number</i>	<i>Qty.</i>	<i>Description</i>	<i>Ref.</i>	<i>Part Number</i>	<i>Qty.</i>	<i>Description</i>
1	117-4093	1	Housing ASM	17	144-6373	1	ASM-Door Rear
2	117-4063	1	Ramp-Discharge	17:1	145-1454	1	Decal-Warning
3	117-4064	1	Door-Recycle	18	49-2040	5	Screw-HWHTF
4	117-4065	1	Cover-Door, Recycle	19	138-3230	1	Bracket-Traction Cable
5	117-1031	1	Spring-Compression	24	3218-6	1	Nut-Jam
6	110-7129	1	Latch-Recycle	25	139-1721	1	Washer-Lock, Int Tooth
7	110-7136	1	Housing-Knob	27	112-6401	1	Coupling-Hose, Washout Port
8	110-7143	2	Screw-Plastic	28	112-6400	1	Port-Washout
9	119-2254	1	Knob-Recycle	29	112-6438	1	Washer-Seal, Washout Port
10	119-2262	1	Hinge-Door, Recycle	30	112-6437	1	Adapter-Connect, Quick
11	120-9676	2	Screw-Plastite	35	117-4062	1	Cover-Belt
12	119-2263	1	Pin-Hinge	37	117-9378	1	Rod-Deflector
13	114-2668	1	Chute	38	139-1693	1	Screw-Shoulder, BHTF
15	115-2859	1	Spring-Torsion	39	119-2283	1	Decal-HOC
16	114-7924	1	Spring-Torsion				

Housing Decal Assembly No. 117-4093

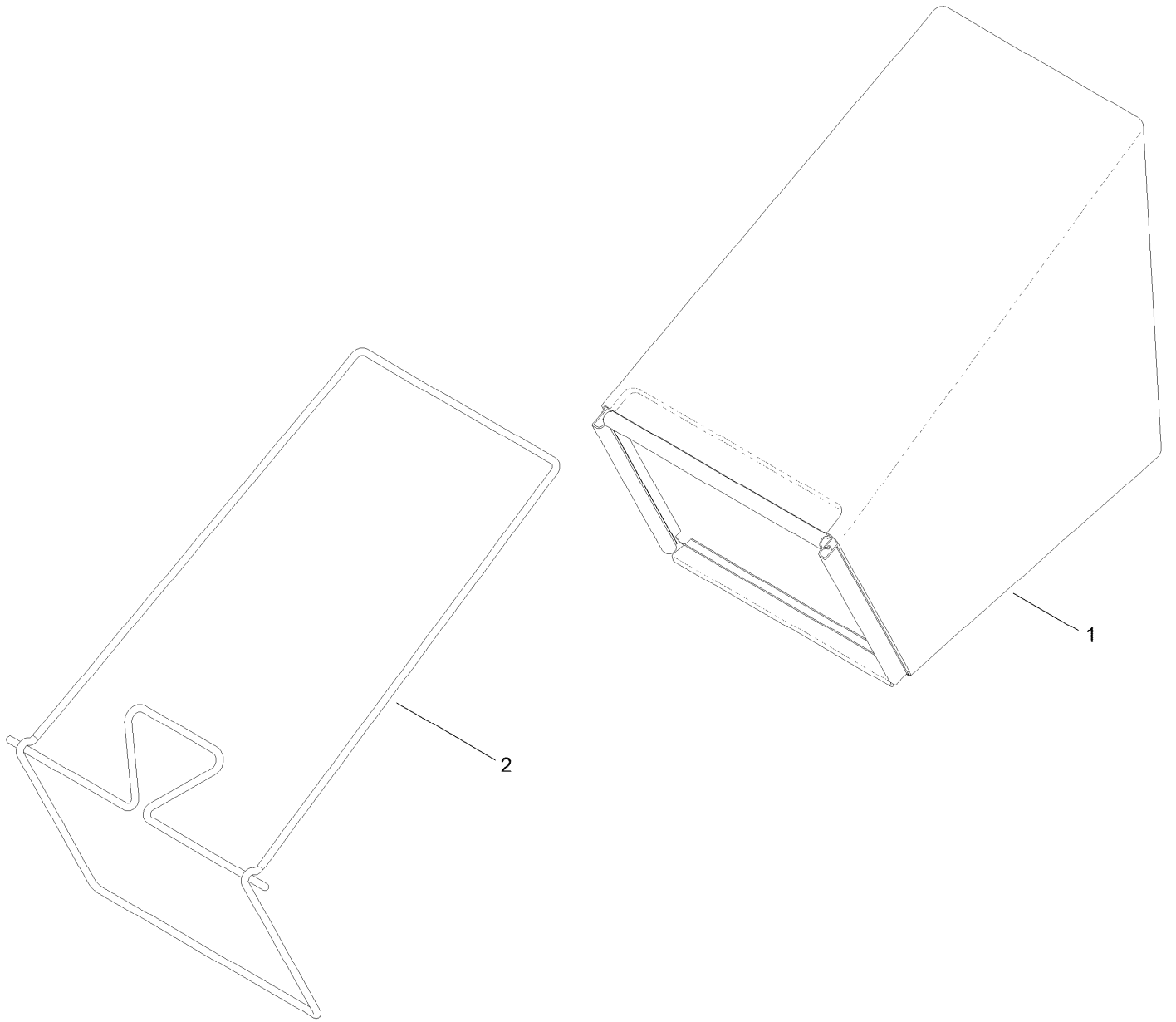


Housing Decal Assembly No. 117-4093 (continued)

<i>Ref.</i>	<i>Part Number</i>	<i>Qty.</i>	<i>Description</i>
2	99-6485	2	Kicker-Front
3	32144-1	4	Screw-Taptite
4	112-8760	1	Decal-Danger

<i>Ref.</i>	<i>Part Number</i>	<i>Qty.</i>	<i>Description</i>
5	137-9196	1	Decal-Quick Wash
6	120-3908	1	Decal-Deck, Super Recycler

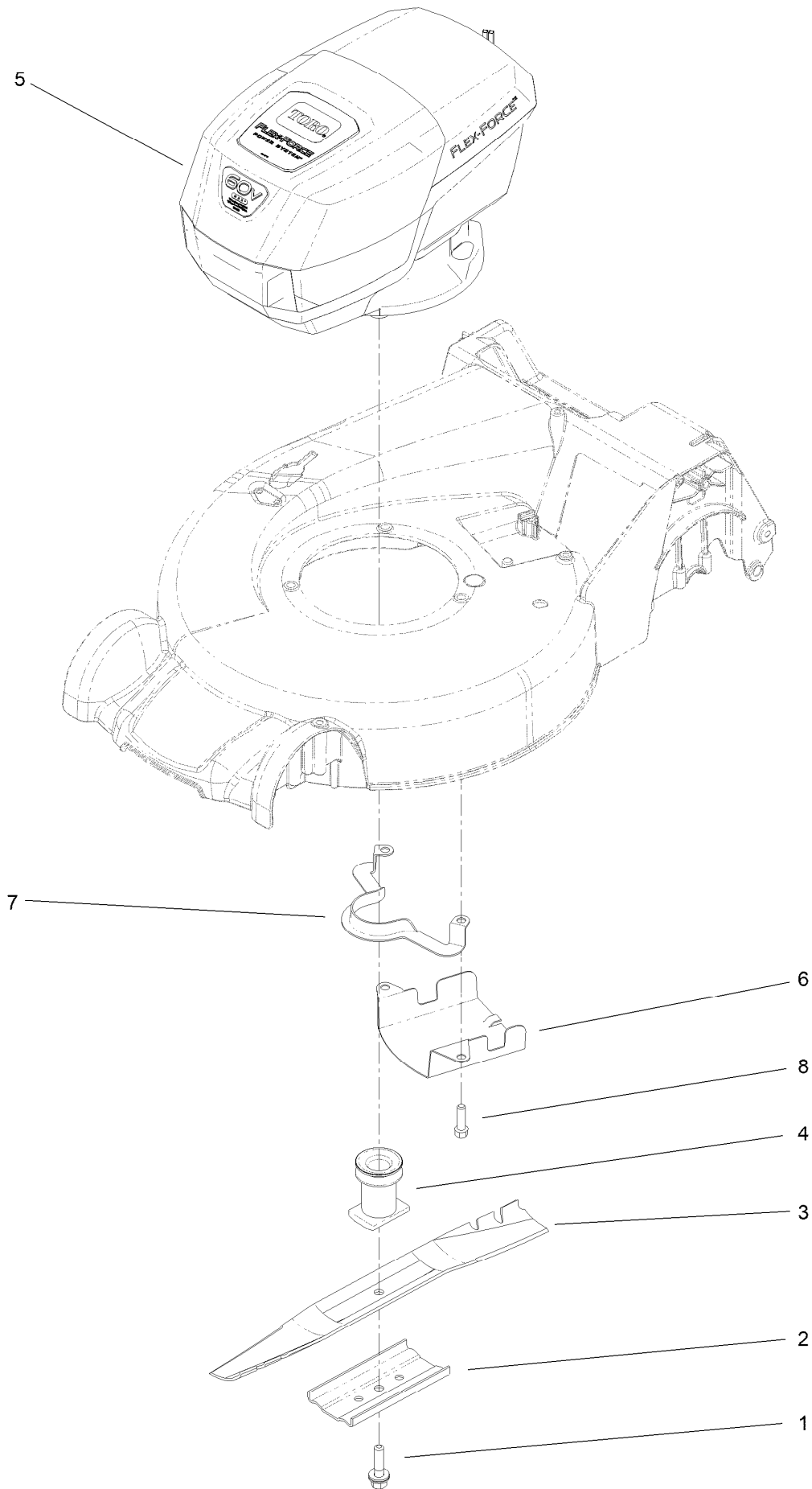
Bag and Frame Assembly



Bag and Frame Assembly (continued)

<i>Ref.</i>	<i>Part Number</i>	<i>Qty.</i>	<i>Description</i>
1	117-9365	1	Grass Bag ASM
2	117-9363-03	1	Frame-Bag

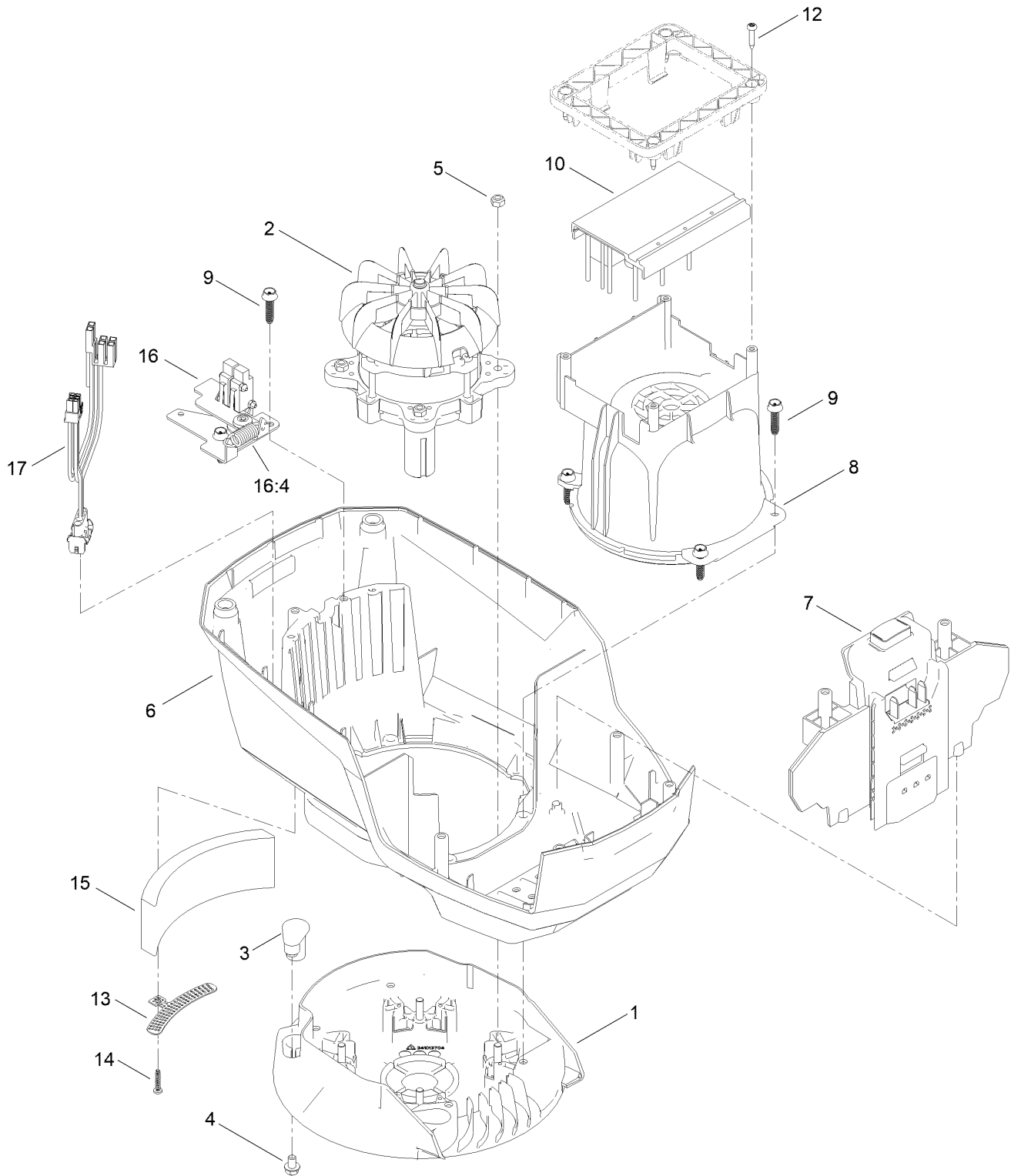
Engine and Blade Assembly



Engine and Blade Assembly (continued)

<i>Ref.</i>	<i>Part Number</i>	<i>Qty.</i>	<i>Description</i>	<i>Ref.</i>	<i>Part Number</i>	<i>Qty.</i>	<i>Description</i>
1	125-2466	1	Bolt-Blade	5	140-4213	1	Motor Module
2	108-3766-03	1	Support-Blade	6	107-7489-03	1	Shield-Grass
3	110-7080	1	Blade	7	108-8110-03	1	Guide-Belt
4	139-1816	1	Driver-Blade	8	92-1648	3	Screw-Mount, Engine

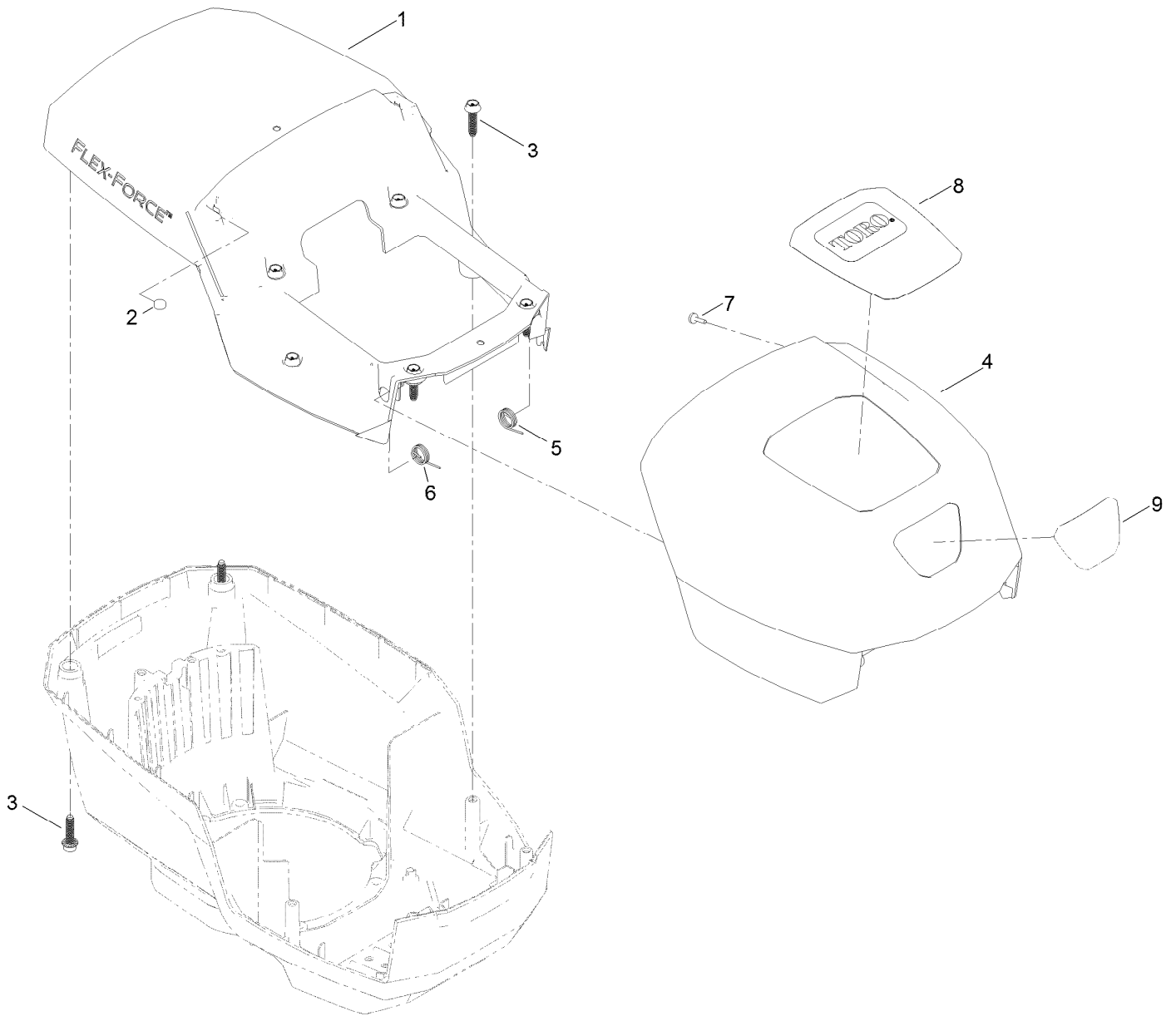
Lower Shroud Assembly Motor Module Assembly No. 140-4213



Lower Shroud Assembly Motor Module Assembly No. 140-4213 (continued)

<i>Ref.</i>	<i>Part Number</i>	<i>Qty.</i>	<i>Description</i>	<i>Ref.</i>	<i>Part Number</i>	<i>Qty.</i>	<i>Description</i>
1	139-6628	1	Base-Mount, Motor	10	134-5078	1	Controller-Motor, 60V [2-Sp]
2	138-6661	1	Motor, 60 Volt	12	139-6642	4	Screw
3	131-9732	3	Insert-Mount, Motor	13	139-6635	1	Bracket-Foam
4	137-4795	3	Screw	14	138-3273	1	Screw-Plastic, PPH
5	115-7373	4	Nut-Lock	15	139-6636	1	Foam
6	139-6631	1	Shroud-Lower	16	133-1918	1	Bail Switch ASM
7	139-6632	1	Battery Reciever ASM	16:4	104-6478	1	Spring-Extension
8	139-6633	1	Shroud-Motor	17	139-6637	1	Harness-Wire
9	130-6658	6	Screw-Flange, Plastic				

Upper Shroud Assembly Motor Module Assembly No. 140-4213

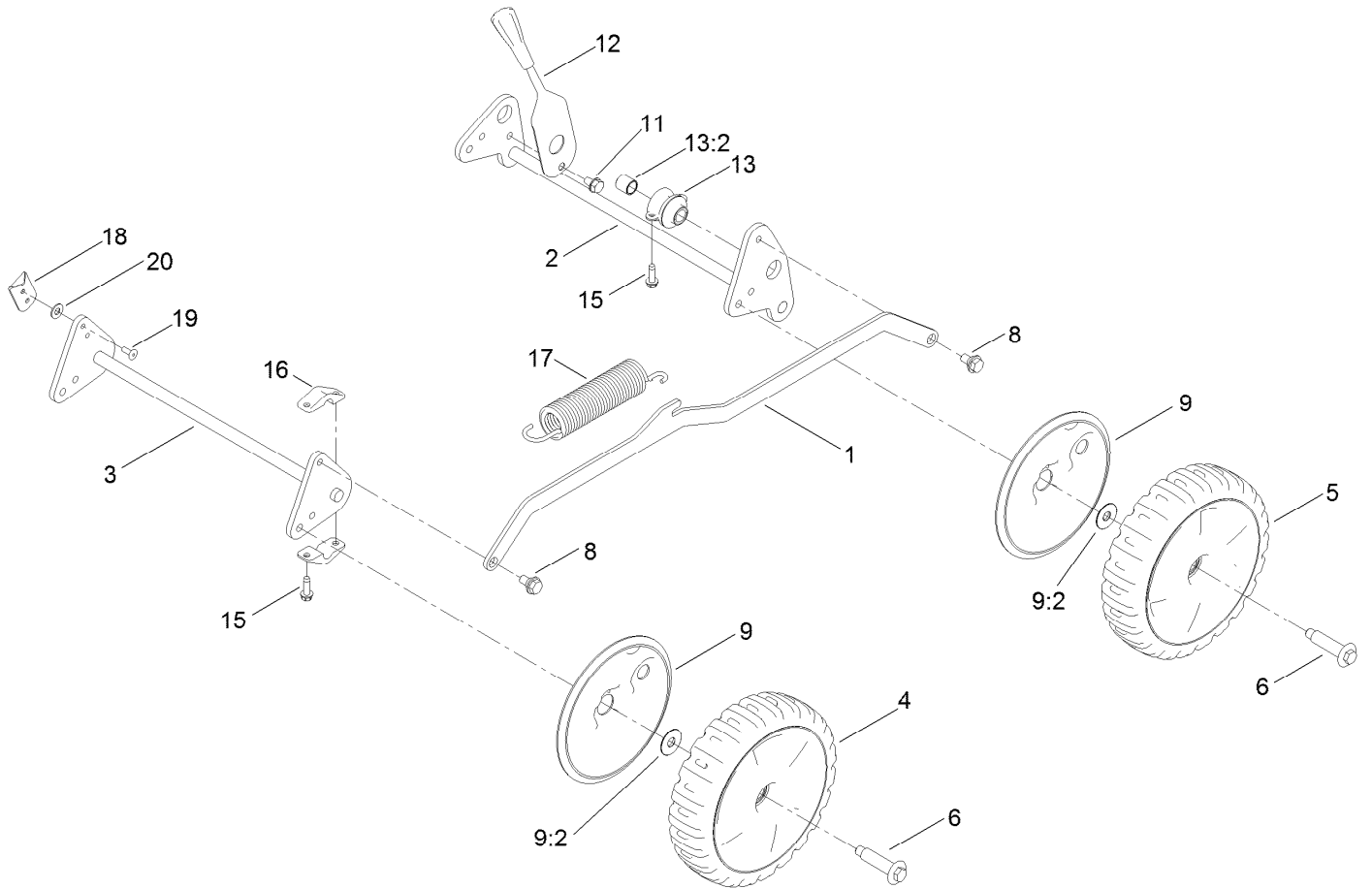


Upper Shroud Assembly

Motor Module Assembly No. 140-4213 (continued)

<i>Ref.</i>	<i>Part Number</i>	<i>Qty.</i>	<i>Description</i>	<i>Ref.</i>	<i>Part Number</i>	<i>Qty.</i>	<i>Description</i>
1	139-6638	1	Shroud-Upper	6	139-6641	1	Spring-RH
2	114-5896	2	Magnet	7	95-4234	2	Screw-PPH
3	130-6658	8	Screw-Flange, Plastic	8	136-9118	1	Decal-Hood, Top
4	139-6639	1	Hood	9	136-9119	1	Decal-Hood, Front
5	139-6640	1	Spring-LH				

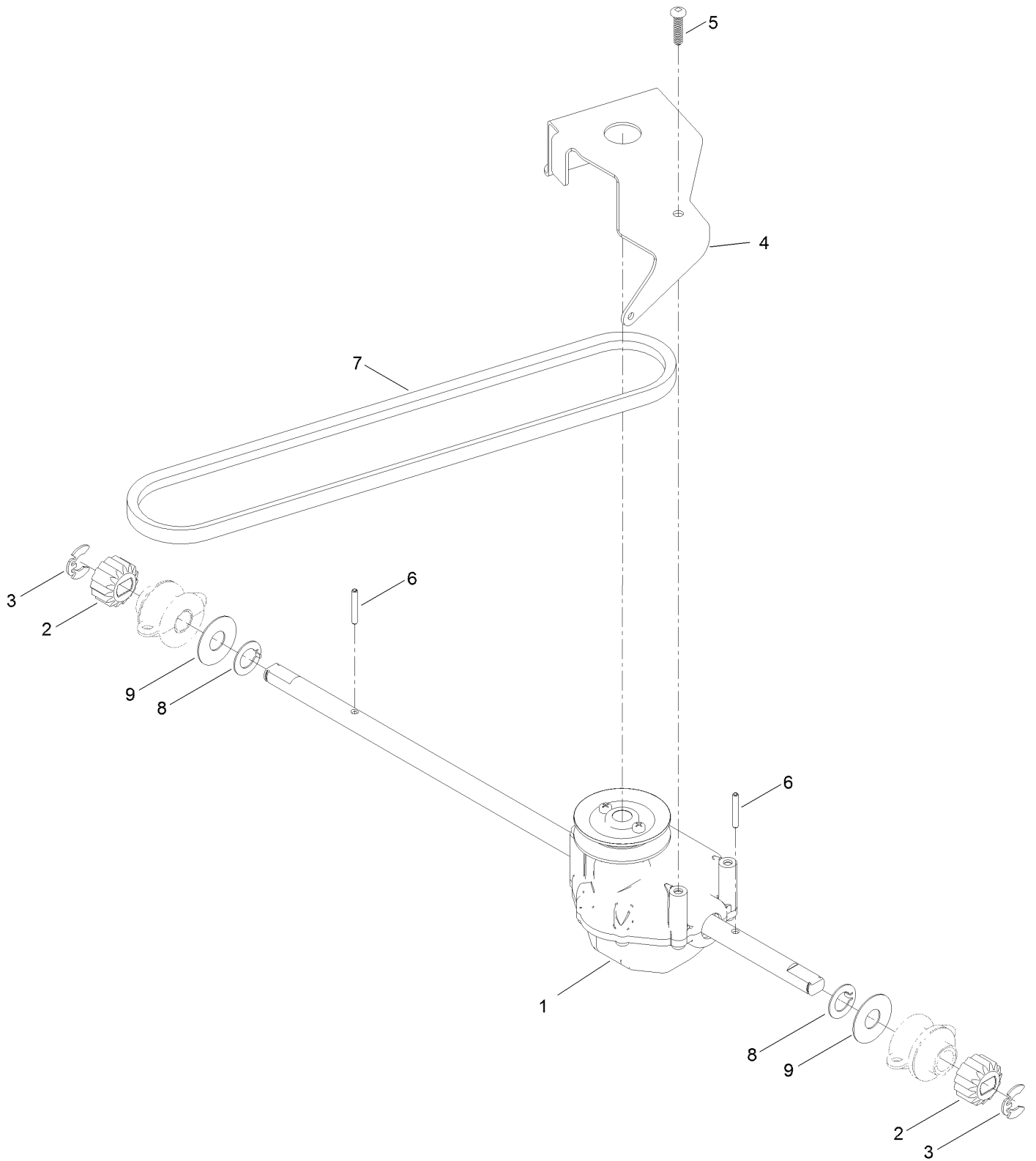
Traction Drive Assembly



Traction Drive Assembly (continued)

<i>Ref.</i>	<i>Part Number</i>	<i>Qty.</i>	<i>Description</i>	<i>Ref.</i>	<i>Part Number</i>	<i>Qty.</i>	<i>Description</i>
1	117-4066-01	1	Bar-Cross, HOC	11	139-1710	1	Screw-Thd Cut, HWH
2	120-0196-03	1	Bar-Pivot, Rear	12	117-4084	1	Handle-Lift Assist
3	120-3902-03	1	Bar-Pivot, Front	13	119-2278	2	Bushing ASM
4	117-4082	2	8 Inch Wheel ASM	13:2	27-6250	1	Bushing
5	117-4083	2	8 Inch Wheel And Gear ASM	15	49-2040	8	Screw-HWHTF
6	614650	4	Bolt-Shoulder	16	100-1500	4	Mount-Axle, Front
8	27-0411	2	Screw-Shoulder	17	119-2265	1	Spring-Extension
9	117-4088	4	Wheel Cover ASM	18	138-3231	1	Indicator-HOC
9:2	614426	1	Washer-Stepped	19	114439	2	Rivet-Blind
				20	139-1699	2	Washer-Flat

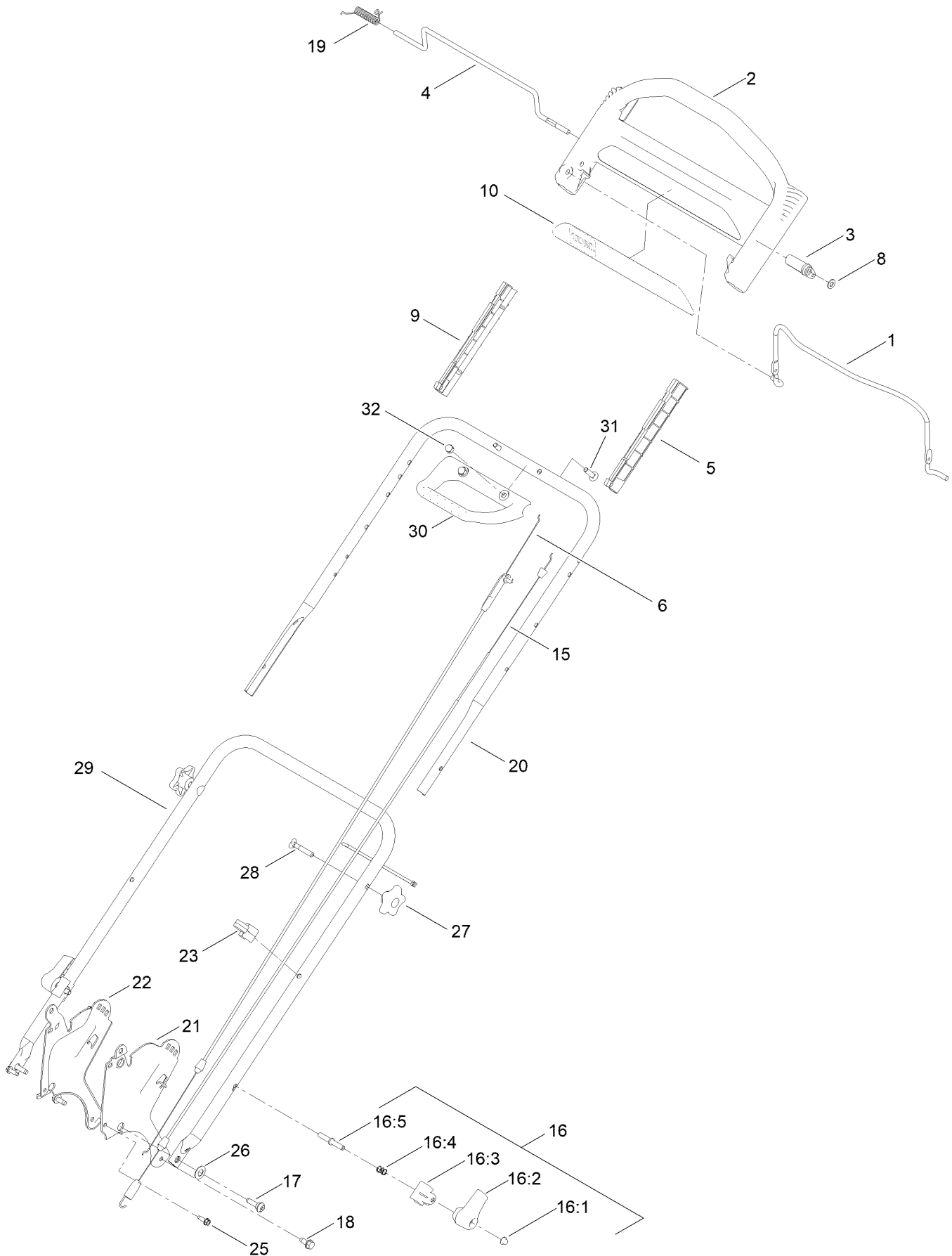
Transmission Bracket Assembly



Transmission Bracket Assembly (continued)

<i>Ref.</i>	<i>Part Number</i>	<i>Qty.</i>	<i>Description</i>	<i>Ref.</i>	<i>Part Number</i>	<i>Qty.</i>	<i>Description</i>
1	117-4086	1	Transmission-Gearbox	6	110-7192	2	Pin-Roll
2	131-5399	2	Gear-Pinion, 15T	7	110-9429	1	V-Belt
3	65-2720	2	Ring-Retaining, Clip	8	112-3911	2	Washer-Thrust, Keyed
4	114-7977-03	1	Bracket-Transmission	9	110-7179	2	Washer-Plain
5	120-9676	3	Screw-Plastite				

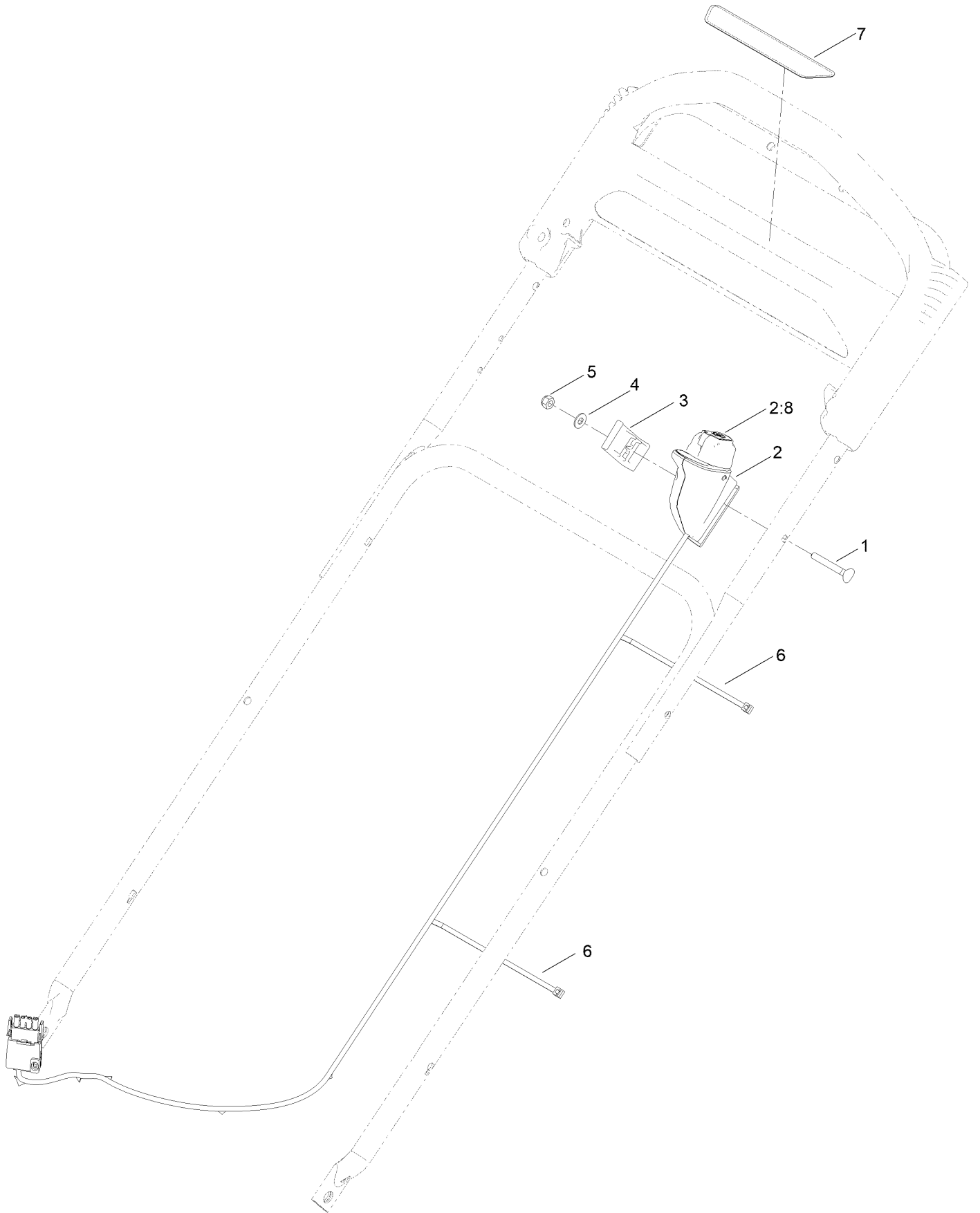
Handle Assembly



Handle Assembly (continued)

<i>Ref.</i>	<i>Part Number</i>	<i>Qty.</i>	<i>Description</i>	<i>Ref.</i>	<i>Part Number</i>	<i>Qty.</i>	<i>Description</i>
1	131-0880-03	1	Bail-Brake	17	139-1693	2	Screw-Shoulder, BHTF
2	104-8678	1	Handle-Control	18	32144-70	2	Screw-HWHTF
3	99-1589	1	Lever-Traction	19	136-7166	1	Spring-Torsion
4	136-7150	1	Bar-Control, Traction	20	132-4484-05	1	Handle-Upper
5	105-6842	1	Guide-LH	21	114-2671-03	1	Bracket-Handle, LH
6	108-8157	1	Cable-Brake	22	114-2672-03	1	Bracket-Handle, RH
8	120-9683	1	Washer-Plain	23	114-7988	1	Guide-Cable
9	105-6841	1	Guide-RH	25	49-2040	2	Screw-HWHTF
10	120-3911	1	Decal-Handle	26	112-9972	2	Washer-Spring, Conical
15	117-9389	1	Cable-Traction	27	117-5976	2	Knob-Handle
16	138-3249	2	Quick Release ASM	28	137-3107	2	Screw-Handle
16:1	140-4157	1	Nut-Push	29	117-9380-05	1	Handle-Lower
16:2	138-3248	1	Lever-Release	30	131-0847	1	Handle-Assist, Traction
16:3	138-3253	1	Anchor-Spring	31	139-1702	2	Bolt-Carriage
16:4	115-2858	1	Spring-Compression	32	137-4808	2	Nut-Acorn
16:5	140-4158	1	Rod-Release				

Starter Switch Assembly



Starter Switch Assembly (continued)

<i>Ref.</i>	<i>Part Number</i>	<i>Qty.</i>	<i>Description</i>	<i>Ref.</i>	<i>Part Number</i>	<i>Qty.</i>	<i>Description</i>
1	137-3109	1	Bolt-CARR	4	139-1699	1	Washer-Flat
2	140-4207	1	Starter Switch ASM	5	137-3094	1	Nut-Hex
2:8	134-4691	1	Decal - Control Speed	6	614249	2	Tie-Cable
3	136-7029	1	Clamp-Cable	7	140-1324	1	Decal-Controls (60V, Start)

Attachments and Accessories

For 21848 48cm 60V Super Recycler

Product Name	Model/Part
Lawnmower Cover.....	490-7462
Plain Walk Mower Cover.....	490-7463
60V Brushless Blower (Bare Tool)	51825T
60V Brushless Trimmer (Bare Tool)	51835T
60V Battery Charger 2 Amp CE	81802
60V 6.0 AH Battery CE	81860
60V 7.5 AH Battery CE	81875

Notes:

Notes:

Notes:



Count on it.