



**Count on it.**

**Parts Catalog**

**22in Recycler<sup>®</sup>**

**Lawn Mower**

Model No. 21442—Serial No. 411820185 and Up



# Ordering Replacement Parts

To order replacement parts, please supply the part number, the quantity, and the description of each part desired.

## Understanding Reference Numbers

Each identified part in an illustration has a reference number. The reference number for a part also appears in the parts list, along with other information about the part.

This catalog uses two special reference number formats, one to indicate parts in a service assembly and another to indicate the quantity of a given part in an illustration.

## Service Assembly Reference Numbers

Parts in service assemblies have reference numbers in the form a:b. The a represents the reference number of the entire service assembly and the b represents a sequential number unique to each part within the service assembly.

For example, a wheel assembly might be identified by reference number 6, the tire by 6:1, the valve by 6:2, and the wheel by 6:3. When you order the assembly identified by reference number 6, you receive all parts identified by reference numbers 6:1, 6:2, and 6:3. However, you may also order any part individually. Reference numbers of this type appear in illustration and in parts lists.

## Reference Numbers Indicating Quantity

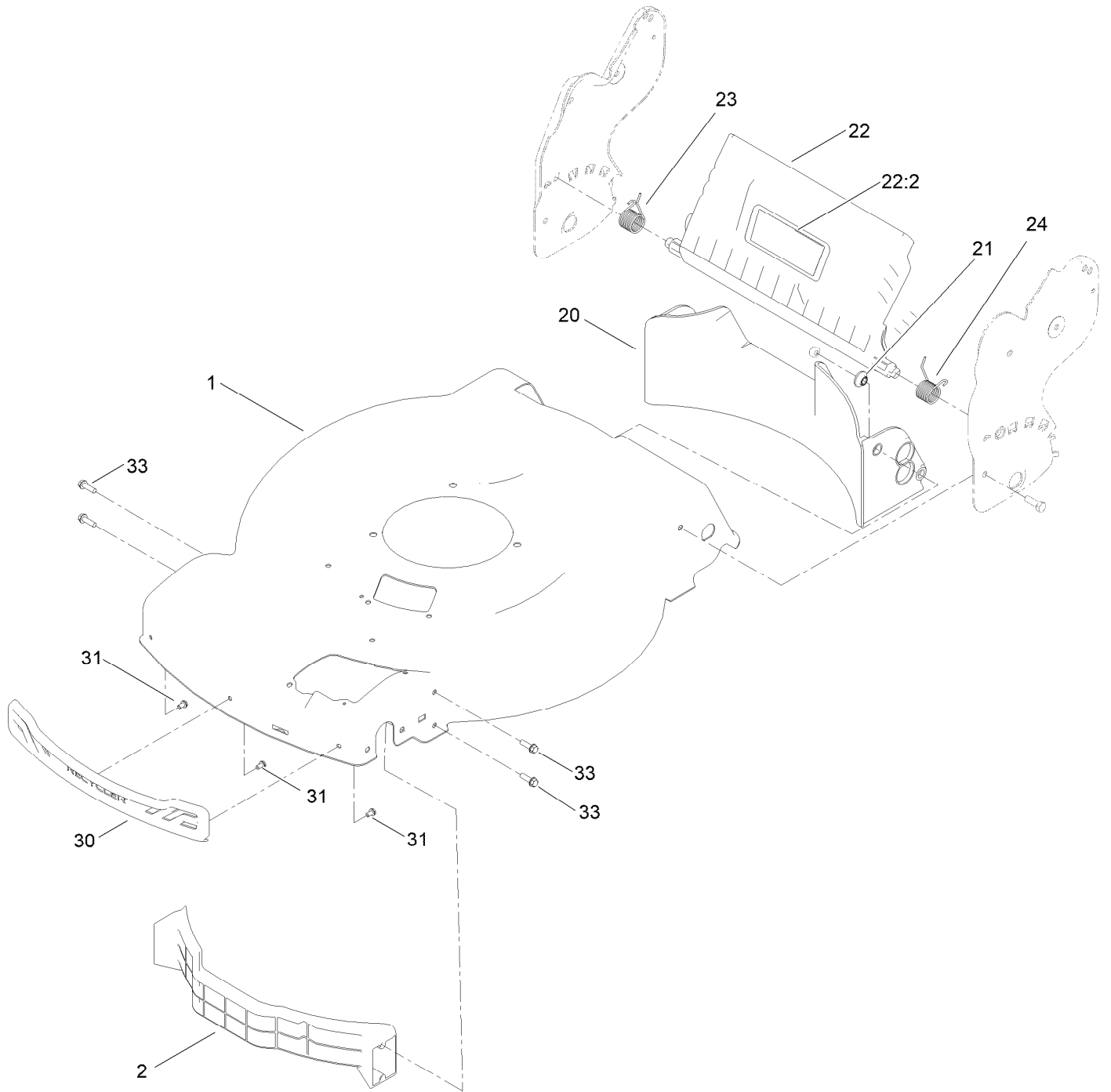
In an illustration, if a reference number indicates more than one part, the reference number has the form nX y. The n represents the quantity of the part, the X is the multiplication symbol, and the y represents the reference number.

For example, in an illustration, the reference number 2X 37 means that two of the parts identified by reference number 37 are indicated.

# Contents

Housing Assembly .....	4
Rear Bag Assembly .....	6
Decal Assembly .....	8
Engine and Blade Assembly .....	10
Front Wheel and Height-of-Cut Assembly .....	12
Rear Wheel and Height-of-Cut Assembly .....	14
Handle Assembly .....	16
Attachments and Accessories .....	18

# Housing Assembly

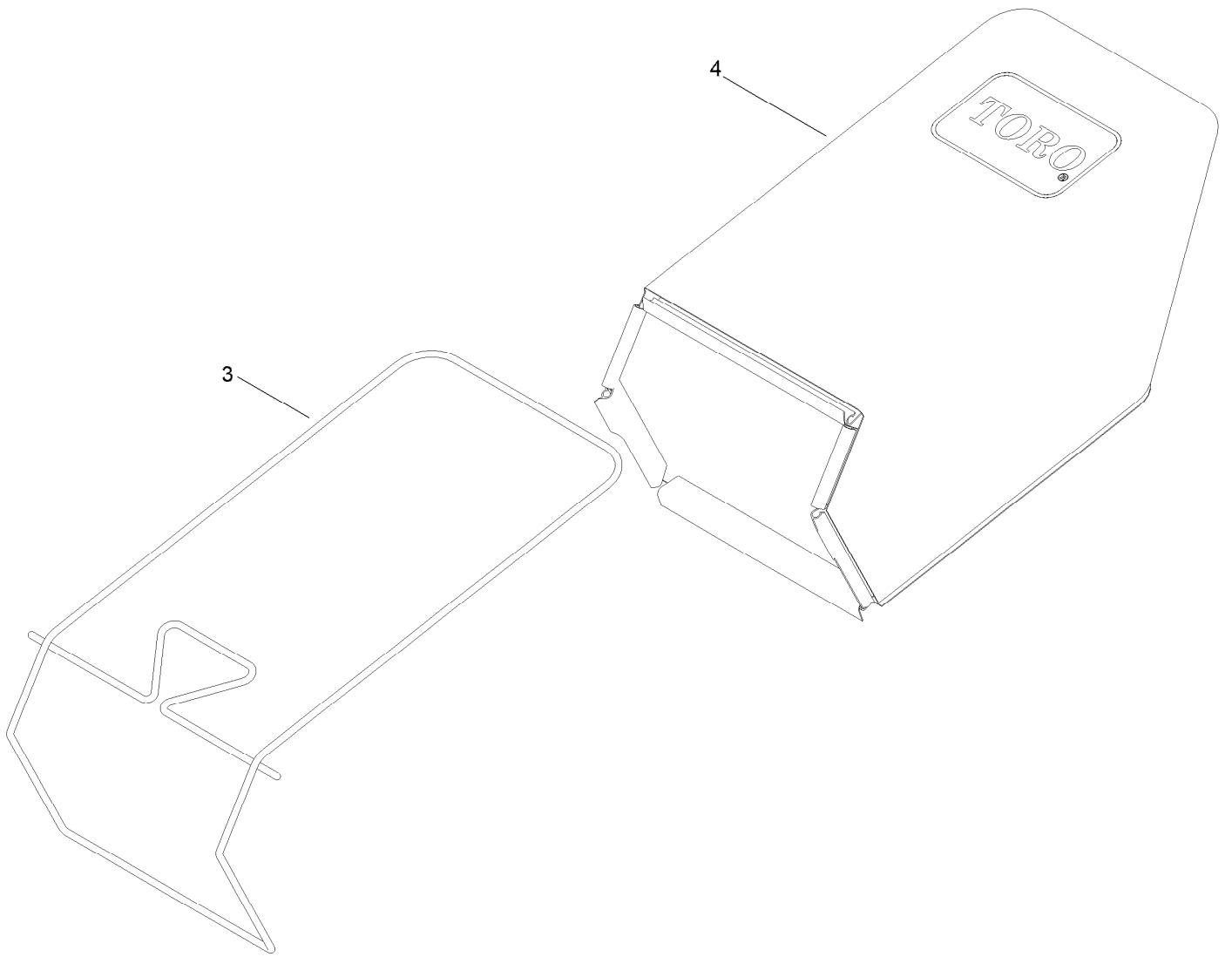


## Housing Assembly (continued)

<i>Ref.</i>	<i>Part Number</i>	<i>Qty.</i>	<i>Description</i>	<i>Ref.</i>	<i>Part Number</i>	<i>Qty.</i>	<i>Description</i>
1	144-3191	1	Housing ASM	23	140-4197	1	Spring-Torsion
2	144-6427	1	Baffle-Front, Domestic	24	140-4198	1	Spring-Torsion
20	140-3906	1	Baffle-Rear, Fwd	30	139-5457	1	Bumper-Front
21	117-5991	2	Washer-Stepped, Baffle	31	139-5467	3	Screw-Plastic, HWH
22	136-7003	1	Rear Deflector ASM	32	117-5924	1	Foam-Seal ●
22:2	131-4514	1	Decal-Warning	33	46-8091	4	Screw-HWH

● Not illustrated

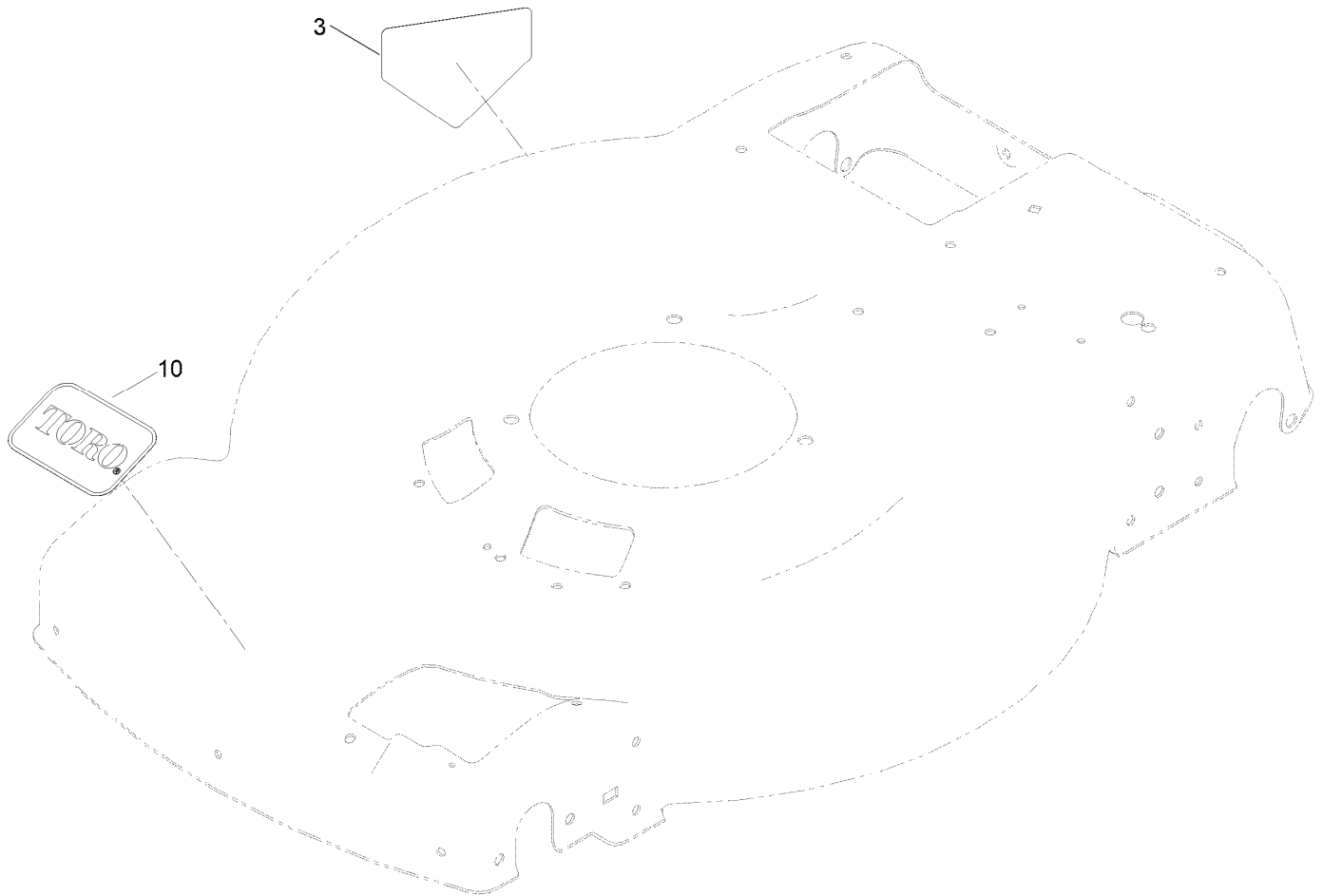
# Rear Bag Assembly



## Rear Bag Assembly (continued)

<i>Ref.</i>	<i>Part Number</i>	<i>Qty.</i>	<i>Description</i>
3	140-3931-03	1	Bag Frame ASM (Welded)
4	140-3933	1	Grass Bag ASM

# Decal Assembly

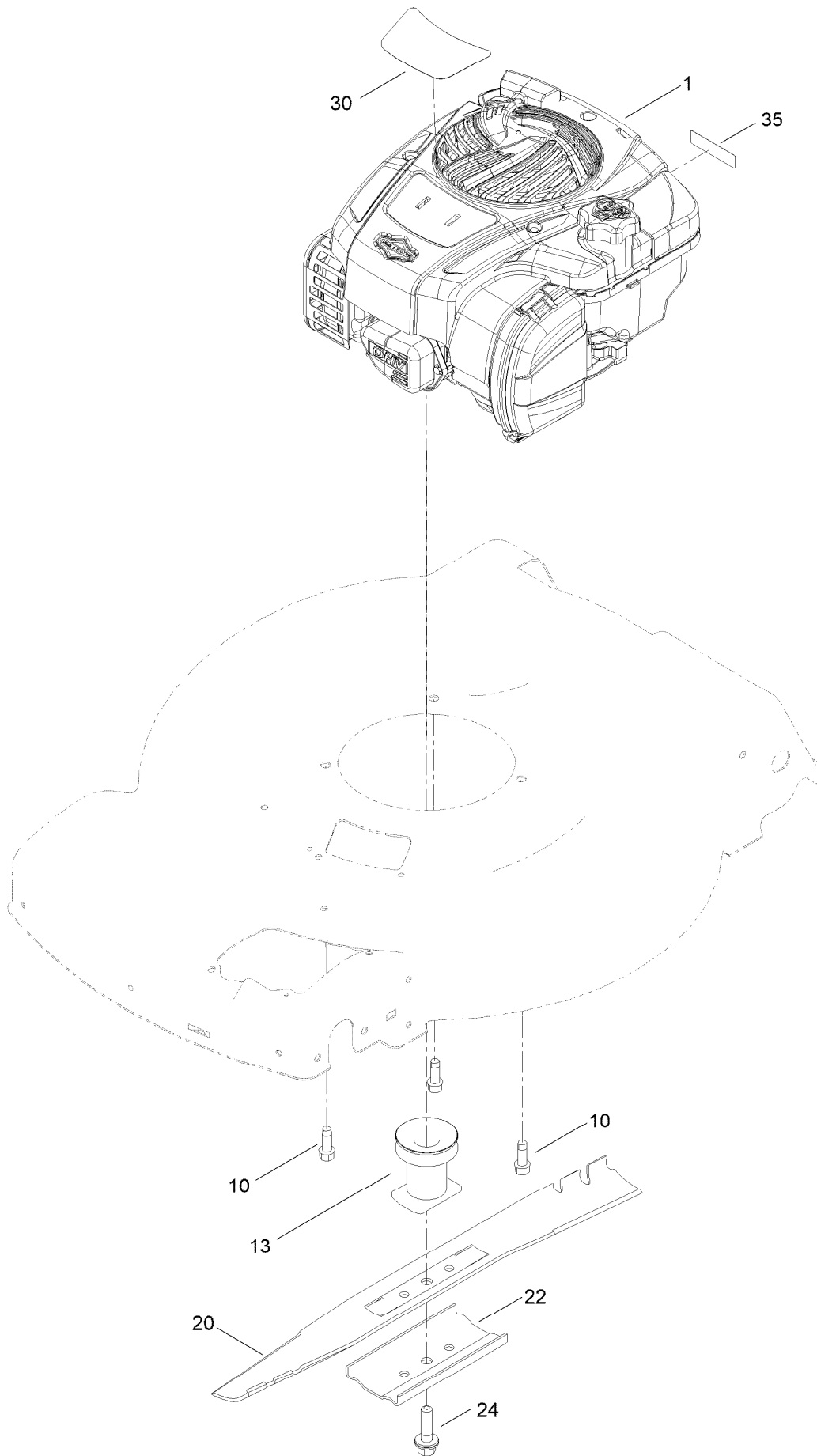




## Decal Assembly (continued)

<i>Ref.</i>	<i>Part Number</i>	<i>Qty.</i>	<i>Description</i>
3	94-8072	1	Decal-Danger
10	140-4183	1	Decal

# Engine and Blade Assembly



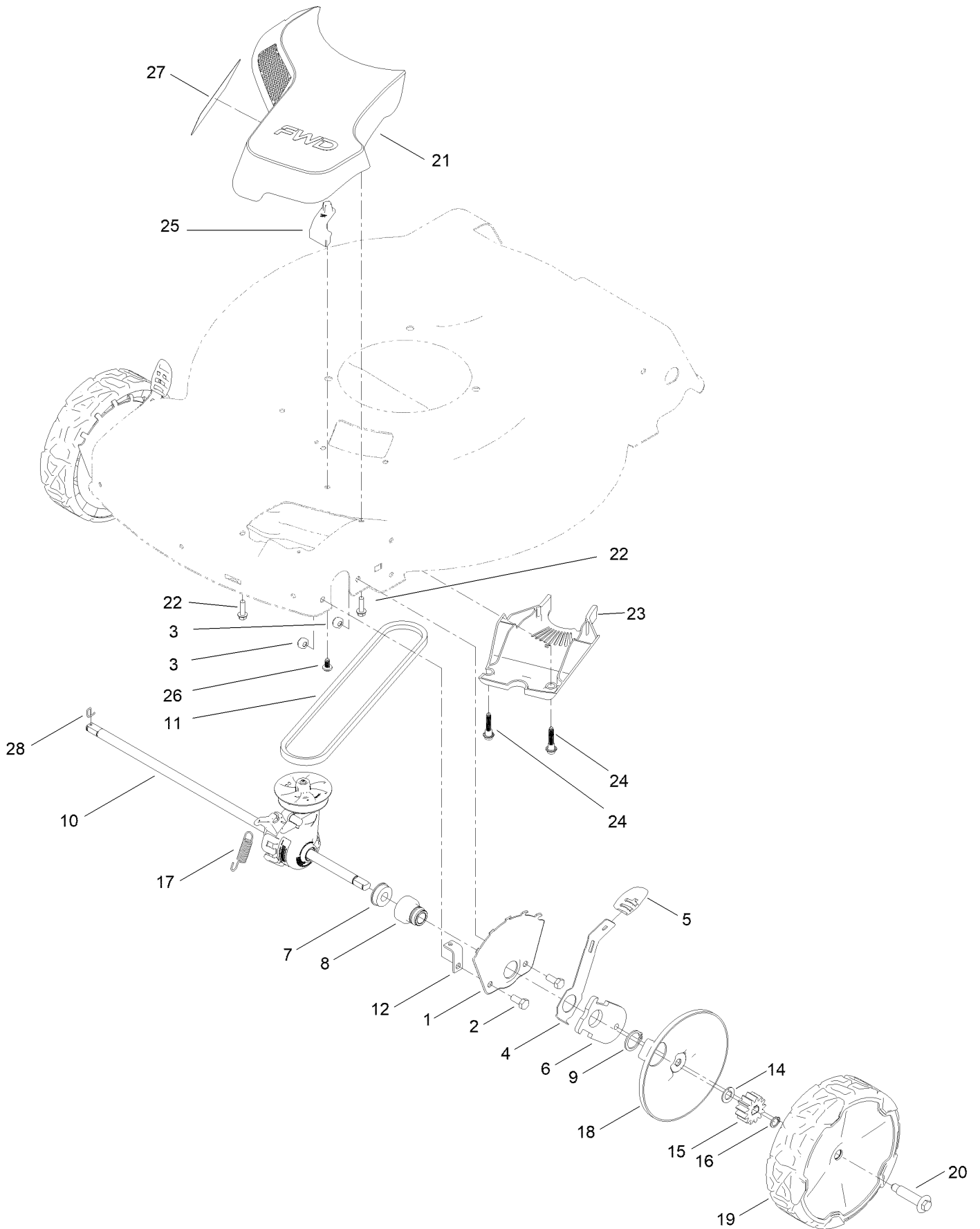
## Engine and Blade Assembly (continued)

<i>Ref.</i>	<i>Part Number</i>	<i>Qty.</i>	<i>Description</i>	<i>Ref.</i>	<i>Part Number</i>	<i>Qty.</i>	<i>Description</i>
1		1	Engine-Briggs, 625 Exi Zs ●■	22	108-3766-03	1	Support-Blade
10	95-1726	3	Screw-Taptite	24	125-2466	1	Bolt-Blade
13	140-3975	1	Driver-Blade	30	144-6439	1	Decal-Briggs 625 Ex
20	131-4547-03	1	Blade-22 Inch	35	133-8062	1	Decal-Arrestor, Spark

● Not serviced separately

■ Obtain parts from [www.briggsandstratton.com](http://www.briggsandstratton.com)

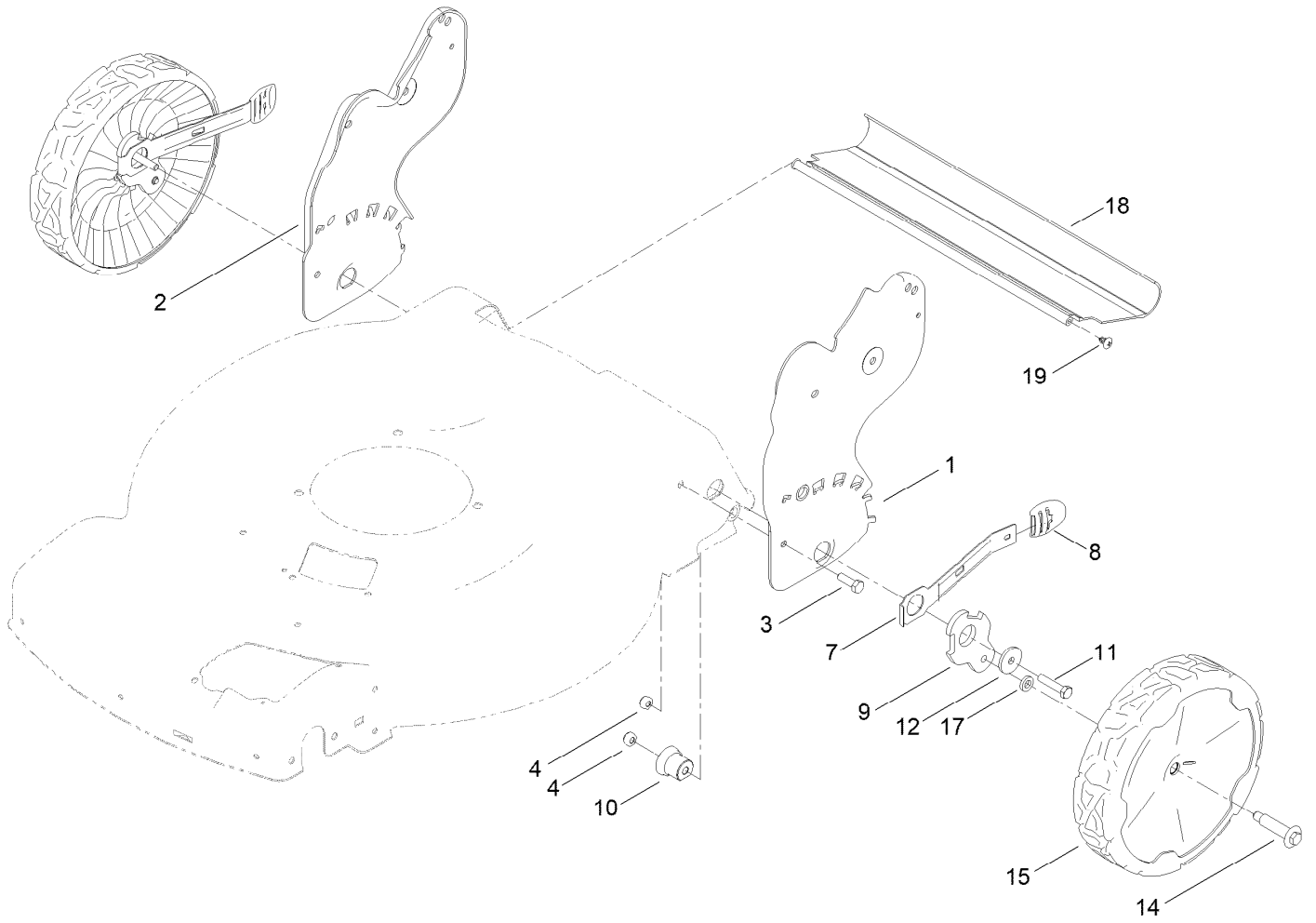
# Front Wheel and Height-of-Cut Assembly



## Front Wheel and Height-of-Cut Assembly (continued)

<i>Ref.</i>	<i>Part Number</i>	<i>Qty.</i>	<i>Description</i>	<i>Ref.</i>	<i>Part Number</i>	<i>Qty.</i>	<i>Description</i>
1	115-1956-05	2	Plate-HOC,Front Fsvq	17	145-3863	1	Spring-Extension
2	322-3	4	Screw-HH	18	140-2364	2	ASM-Cover, Wheel (Dk Gray)
3	3296-29	4	Nut-Lock, NI	19	140-2358	2	ASM-8" Wheel, Fwd (Bushings)
4	105-1809	2	Arm-Spring	20	139-1789	2	Wheel Bolt
5	105-3042	2	Knob-Lever, HOC	21	144-0215	1	ASM-Intake, Fwd
6	137-9128	2	Arm-Pivot, Front	22	46-8091	3	Screw-HWH
7	104-8699	2	Bearing-Ball	23	140-2389	1	Cover-Belt, Lower (Awd)
8	131-0836	2	Retainer-Bearing, HOC	24	131-0837	2	Screw-Shoulder, HHF
9	32151-36	2	Ring-Retaining	25	144-6371	1	Pad-Stop
10	139-6562	1	Transmission-Fwd	26	139-1679	1	Screw-Plastic,PH
11	117-1018	1	V-Belt	27	140-4186	1	Decal
12	144-6392	1	Tab-Mount, Cable	28	130-2369	1	Pin-Snap
14	110-7191	2	Washer-Thrust				
15	131-0896	2	Gear-Pinion, 13T				
16	32151-61	1	Ring-Retaining				

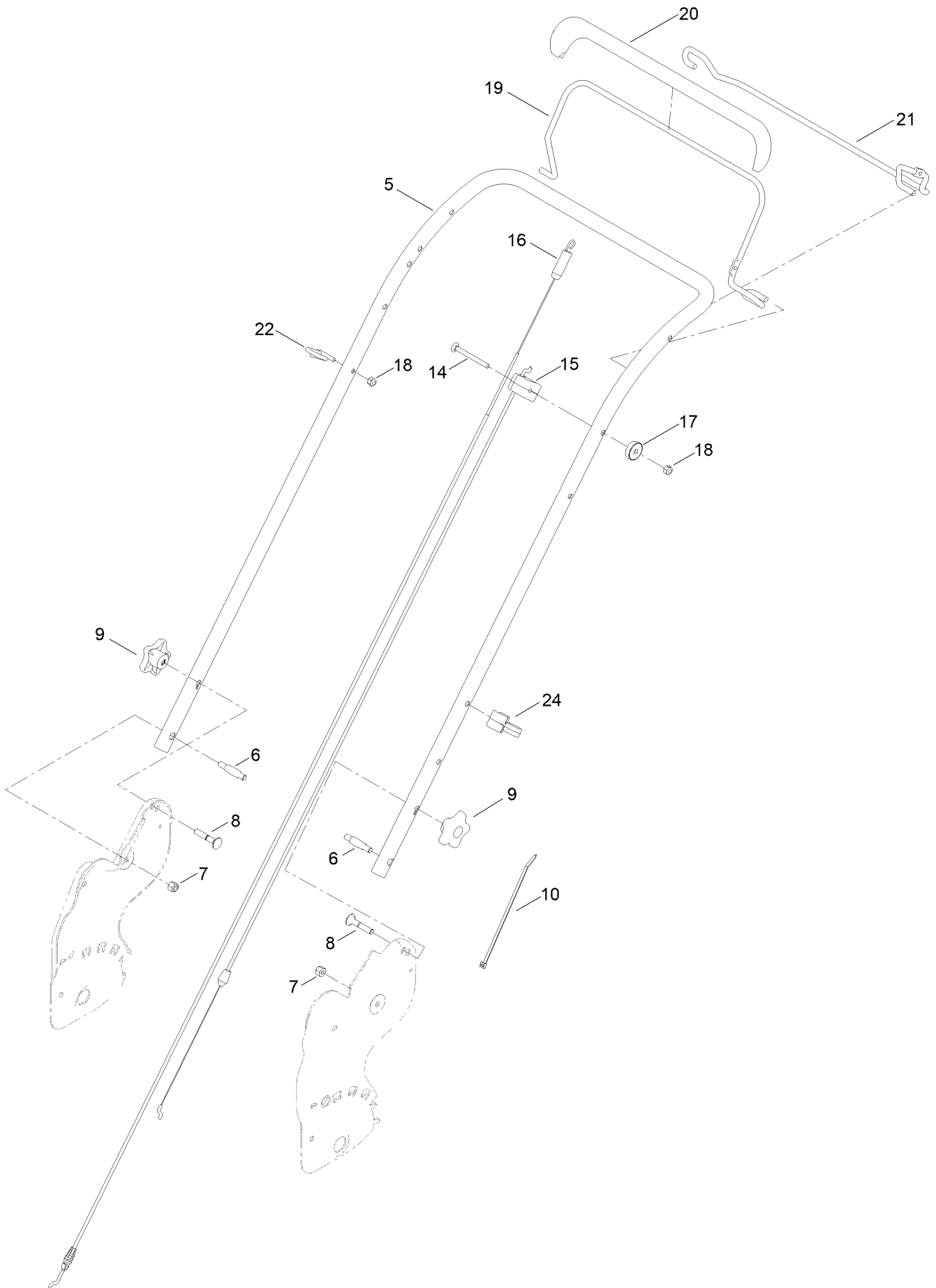
# Rear Wheel and Height-of-Cut Assembly



## Rear Wheel and Height-of-Cut Assembly (continued)

<i>Ref.</i>	<i>Part Number</i>	<i>Qty.</i>	<i>Description</i>	<i>Ref.</i>	<i>Part Number</i>	<i>Qty.</i>	<i>Description</i>
1	140-3912-05	1	Plate-HOC, Fwd LH	11	322-7	2	Screw-HH
2	140-3913-05	1	Plate-HOC, Fwd RH	12	105-3048	2	Washer-Flat
3	322-5	2	Screw-HH	14	139-1789	2	Wheel Bolt
4	3296-29	4	Nut-Lock, NI	15	140-2351	2	ASM-9.65" Wheel, Bushings
7	115-2899	2	Arm-Spring, Rear	17	139-5449	2	Washer-Wheel Bolt
8	105-3042	2	Knob-Lever, HOC	18	144-6431	1	Shield-Trailing
9	140-3878	2	Arm-Pivot, Rear	19	117-1092	2	Screw-PTH
10	131-0895	2	Bushing-Mount, HOC				

# Handle Assembly





## Handle Assembly (continued)

<i>Ref.</i>	<i>Part Number</i>	<i>Qty.</i>	<i>Description</i>	<i>Ref.</i>	<i>Part Number</i>	<i>Qty.</i>	<i>Description</i>
5	139-5458-05	1	Handle-Curved	16	140-3947	1	Cable-Traction, Fwd
6	139-6599	2	Bolt-Shoulder, Handle	17	136-9075	1	Washer-Curved
7	3296-29	2	Nut-Lock, NI	18	3296-73	2	Nut-Lock, NI
8	131-9663	2	Screw-CARR	19	140-3918-03	1	Bail-Brake
9	117-5976	2	Knob-Handle	20	140-3879	1	Cover-Bail
10	614249	1	Tie-Cable	21	140-4024-03	1	Bail-Traction
14	144-0221	1	Screw-CARR	22	86-9671	1	Guide-Rope
15	140-3948	1	Cable-Brake, Fwd	24	114-7988	1	Guide-Cable

# Attachments and Accessories

## For 21442 22in Recycler Lawn Mower

<b>Product Name</b>	<b>Model/Part</b>
SD Chute ASM .....	145-1538
22 Inch Atomic Blade .....	59534P
Briggs Maint Kit.....	130-8148
Lawnmower Cover .....	490-7462
Lawn Striping Kit with 22in Roller.....	20601
Bag-Walk Behind (Toro).....	490-7318
Fuel Stabilizer .05 oz .....	130-2393
Toro Premium Fuel Treatment 12 Oz Bottle .....	131-6572
4-Cycle Fuel, Snow And Lawn 32oz Can .....	131-3823
Oil-30/10W-30 Synthetic (Quart).....	138-6053
Summer Oil-Case of 24 (20oz Bottles).....	38916
Toro 4-Cycle SAE 30 Oil (32oz Bottle) .....	38903

**Notes:**



**Count on it.**