



EN 22in Electric Hedge Trimmer

51490

ES Cortasetos eléctrico de 55 cm (22 pulgadas)

51490

FR Taille-haie électrique de 56 cm (22 pouces)

51490





22in Electric Hedge Trimmer

Model No. 51490—Serial No. 319000001 and Up

Operator's Manual



If you have questions or problems, contact us at www.Toro.com or call toll free 1-800-237-2654 (US) or 1-800-248-3258 (Canada) before returning this product.

This hedge trimmer is intended to be used by residential homeowners to maintain bushes and hedges. It is to be used only by adults. Using this product for purposes other than its intended use could prove dangerous to you and bystanders.

Read this information carefully to learn how to operate and maintain your product properly and to avoid injury and product damage. You are responsible for operating the product properly and safely.

Visit www.Toro.com for more information, including safety tips, training materials, accessory information, help finding a dealer, or to register your product.

▲ WARNING

CALIFORNIA Proposition 65 Warning

The power cord on this product contains lead, a chemical known to the State of California to cause birth defects or other reproductive harm. Wash hands after handling.

Use of this product may cause exposure to chemicals known to the State of California to cause cancer, birth defects, or other reproductive harm.

General Power Tool Safety Warnings

▲WARNING Read all safety warnings, instructions, illustrations and specifications provided with this power tool. Failure to follow all instructions listed below may result in electric shock, fire, and/or serious injury.

Save all warnings and instructions for future reference.

The term "power tool" in all of the warnings refers to your mains-operated (corded) power tool or BATTERY-operated (cordless) power tool.

READ ALL INSTRUCTIONS

1. **Work area safety**
 - A. **Keep work area clean and well lit.** *Cluttered or dark areas invite accidents.*
 - B. **Do not operate power tools in explosive atmospheres, such as in the presence of flammable liquids, gases, or dust.** *Power tools create sparks, which may ignite the dust or fumes.*
 - C. **Keep children and bystanders away while operating a power tool.** *Distractions can cause you to lose control.*
2. **Electrical safety**
 - A. **Power tool plugs must match the outlet. Never modify the plug in any way. Do not use any adapter plugs with earthed (grounded) power tools.** *Unmodified plugs and matching outlets will reduce risk of electric shock.*
 - B. **Avoid body contact with earthed or grounded surfaces, such as pipes, radiators, ranges and refrigerators.** *There is an increased risk of electric shock if your body is earthed or grounded.*
 - C. **Do not expose power tools to rain or wet conditions.** *Water entering a power tool will increase the risk of electric shock.*
 - D. **Do not abuse the cord. Never use the cord for carrying, pulling or unplugging the power tool. Keep cord away from heat, oil, sharp edges or moving parts.** *Damaged or entangled cords increase the risk of electric shock.*
 - E. **When operating a power tool outdoors, use an extension cord suitable for outdoor use.** *Use of a*



cord suitable for outdoor use reduces the risk of electric shock.

- F. **If operating a power tool in a damp location is unavoidable, use a ground fault circuit interrupter (GFCI) protected supply.** *Use of a GFCI reduces the risk of electric shock.*
- G. **Disconnect the plug from the power source when the appliance is not in use.** *Such preventive safety measures reduce the risk of starting the power tool accidentally.*
3. **Personal safety**
- A. **Stay alert; watch what you are doing, and use common sense when operating a power tool. Do not use a power tool while you are tired or under the influence of drugs, alcohol, or medication.** *A moment of inattention while operating power tools may result in serious personal injury.*
- B. **Use personal protective equipment. Always wear eye protection.** *Protective equipment such as a dust mask, non-skid safety shoes, hard hat or hearing protection used for appropriate conditions will reduce personal injuries.*
- C. **Prevent unintentional starting. Ensure the switch is in the OFF-position before connecting to power source and/or BATTERY pack, picking up or carrying the tool.** *Carrying power tools with your finger on the switch or energizing power tools that have the switch on invites accidents.*
- D. **Remove any adjusting key or wrench before turning the power tool on.** *A wrench or a key left attached to a rotating part of the power tool may result in personal injury.*
- E. **Do not overreach. Keep proper footing and balance at all times.** *This enables better control of the power tool in unexpected situations.*
- F. **Dress properly. Do not wear loose clothing or jewellery. Keep your hair and clothing away from moving parts.** *Loose clothes, jewelry or long hair can be caught in moving parts.*
- G. **If devices are provided for the connection of dust extraction and collection facilities, ensure these are connected and properly used.** *Use of dust collection can reduce dust-related hazards.*
- H. **Do not let familiarity gained from frequent use of tools allow you to become complacent and ignore tool safety principles.** *A careless action can cause severe injury within a fraction of a second.*
- I. **Do not allow children or untrained people to operate or service this device.** *Allow only people who are responsible, trained, familiar with the instructions, and physically capable to operate or service the device.*
4. **Power tool use and care**
- A. **Do not force the power tool. Use the correct power tool for your application.** *The correct power tool will do the job better and safer at the rate for which it was designed.*
- B. **Do not use the power tool if the switch does not turn it on and off.** *Any power tool that cannot be controlled with the switch is dangerous and must be repaired.*
- C. **Disconnect the plug from the power source/and or remove the BATTERY pack, if detachable, from the power tool before making any adjustments, changing accessories, or storing power tools.** *Such*
- preventive safety measures reduce the risk of starting the power tool accidentally.*
- D. **Store idle power tools out of the reach of children, and do not allow persons unfamiliar with the power tool or these instructions to operate the power tool.** *Power tools are dangerous in the hands of untrained users.*
- E. **Maintain power tools and accessories. Check for misalignment or binding of moving parts, breakage of parts, and any other condition that may affect the operation of the power tool. If damaged, have the power tool repaired before use.** *Many accidents are caused by poorly maintained power tools.*
- F. **Keep cutting tools sharp and clean.** *Properly maintained cutting tools with sharp cutting edges are less likely to bind and are easier to control.*
- G. **Use the power tool, accessories and tool bits etc. in accordance with these instructions, taking into account the working conditions and the work to be performed.** *Use of the power tool for operations different from those intended could result in a hazardous situation.*
- H. **Keep handles and grasping surfaces dry, clean and free from oil and grease.** *Slippery handles and grasping surfaces do not allow for safe handling and control of the tool in unexpected situations.*
- I. **Ground Fault Circuit Interrupter (GFCI) protection should be provided on the circuit(s) or outlet(s) to be used for the gardening appliance.** *Receptacles are available having built-in GFCI protection and may be used for this measure of safety.*
- J. **To reduce the risk of electric shock, this appliance has a polarized plug (one blade is wider than the other) and will require the use of a polarized extension cord.** *The appliance plug will fit into a polarized extension cord only one way. If the plug does not fit, obtain a correct polarized extension cord. A polarized extension cord will require the use of a polarized wall outlet. This plug will fit into the polarized wall outlet only one way. If the plug still does not fit, contact a qualified electrician to install the proper wall outlet. Do not change the equipment plug, extension cord receptacle, or extension cord plug in any way.*
- K. **Keep guards in place and in working order.** *Ensure that all guards are not damaged and properly installed to reduce the risk of injury.*
- L. **Store idle appliances indoors.** *When not in use, appliances should be stored indoors in a dry and high or locked-up place, out of the reach of children.*
- M. **Maintain Appliance With Care – Keep cutting edge sharp and clean for best performance and to reduce the risk of injury.** *Follow instructions for lubricating and changing accessories. Inspect appliance cord periodically, and if damaged, have it repaired by an authorized service facility. Inspect extension cords periodically and replace if damaged. Keep handles dry, clean, and free from oil and grease.*
- N. **Check Damaged Parts – Before further use of the appliance, a guard or other part that is damaged should be carefully checked to determine that it will operate properly and perform its intended function.** *Check for alignment of moving parts, binding of moving parts, breakage of parts, mounting, and any other condition that may affect its operation. A guard or other part that is damaged should be properly repaired*

or replaced by an authorized service center unless indicated elsewhere in this manual.

5. Service

- A. **Have your power tool serviced by a qualified repair person using only identical replacement parts.** *This will ensure that the safety of the power tool is maintained.*
- B. **Never service damaged power cords.** *If the cord is damaged, it must be replaced by the manufacturer, its authorized service agent or a similarly qualified specialist in order to avoid hazard.*

6. Hedge trimmer safety warnings

- A. **Keep all parts of the body away from the blade. Do not remove cut material or hold material to be cut when blades are moving.** *Blades continue to move after the switch is turned off. A moment of inattention while operating the hedge trimmer may result in serious personal injury.*
- B. **Carry the hedge trimmer by the handle with the blade stopped and taking care not to operate any power switch.** *Proper carrying of the hedge trimmer will decrease the risk of inadvertent starting and resultant personal injury from the blades.*
- C. **When transporting or storing the hedge trimmer, always fit the blade cover.** *Proper handling of the hedge trimmer will decrease the risk of personal injury from the blades.*
- D. **When clearing jammed material or servicing the unit, make sure all power switches are off and the power cord is disconnected.** *Unexpected actuation of the hedge trimmer while clearing jammed material or servicing may result in serious personal injury.*
- E. **Hold the hedge trimmer by insulated gripping surfaces only, because the blade may contact hidden wiring or its own cord.** *Blades contacting a "live" wire may make exposed metal parts of the hedge trimmer "live" and could give the operator an electric shock.*
- F. **Keep all power cords and cables away from cutting area.** *Power cords or cables may be hidden in hedges or bushes and can be accidentally cut by the blade.*
- G. **Do not use the hedge trimmer in bad weather conditions, especially when there is a risk of lightning.** *This decreases the risk of being struck by lightning.*
- H. **Always use two hands when operating the hedge trimmer.** *Hold the hedge trimmer with both hands to avoid loss of control.*
- I. **Always keep proper footing and operate the hedge trimmer only when standing on a fixed, secure and level surface.** *Slippery or unstable surfaces such as ladders may cause a loss of balance or control of the hedge trimmer.*

7. Class II Appliance

A class II appliance is an appliance in which protection against electric shock does not rely on basic insulation only, but in which additional safety precautions, such as double insulation or reinforced insulation, are provided, there being no provision for protective earthing or reliance upon installation conditions. A class II appliance is marked by this symbol (□).

8. Extension Cord

⚠ WARNING

Using an incorrect extension cord may result in electric shock.

Use only with an extension cord intended for outdoor use, such as an extension cord of cord type SW-A, SOW-A, STW-A, STOW-A, SJW-A, SJOW-A, SJTW-A, or SJTOW-A

Ensure that your extension cord is in good condition. When using an extension cord, use one heavy enough to carry the current your product will draw. An undersized extension cord will cause a drop in line voltage, resulting in loss of power and overheating. The following table lists the correct cord size depending on the length of the cord. If you are in doubt, use the next heavier gauge. The smaller the gauge number, the heavier the cord.

Extension Cord Length	Minimum Wire Gauge (A.W.G.)
7.6 m (25 feet)	16
15.0 m (50 feet)	16
30.5 m (100 feet)	16
45.7 m (150 feet)	14

Note: Do not use an extension cord over 45.7 m (150 feet) long.

To reduce the risk of disconnection of the extension cord during use, connect the extension cord to the trimmer as illustrated in [Connecting to Power Supply \(page 5\)](#).

SAVE THESE INSTRUCTIONS

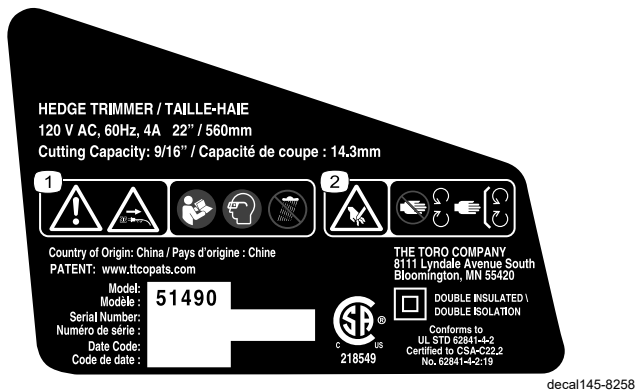
Electrical specifications: 120V ~ 60Hz 4A

Safety and Instructional Decals



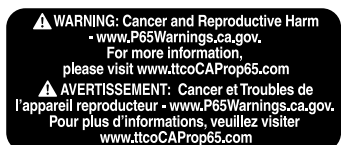
Safety decals and instructions are easily visible to the operator and are located near any area of potential danger. Replace any decal that is damaged or missing.

Symbol	Name	Designation/Explanation
AC	Alternating current	Type of current
A	Amperes	Current
Hz	Hertz	Frequency (cycles per second)
SPM	Strokes per minute	Speed of blade
V	Volts	Voltage



145-8258

1. Warning; remove plug from the socket if the wire is damaged—read the *Operator's Manual*; wear eye protection; do not operate in wet conditions.
2. Cutting/dismemberment hazard of the fingers or hand— keep all guards and shields in place.



138-6699

Operation

Preparing the Appliance

For safe and efficient use of your hedge trimmer, use only a UL-listed extension cord recommended for outdoor use. Refer to the Extension Cord Chart below.

Minimum Gauge for Extension Cords (AWG—120 V Only)

Extension Cord Length	Minimum Wire Gauge (A.W.G.)
7.6 m (25 feet)	16
15.0 m (50 feet)	16
30.5 m (100 feet)	16
45.7 m (150 feet)	14

Note: Do not use an extension cord over 150 feet (45.7 m) long.

Important: Check the power cord frequently during use for holes in the insulation. Do not use a damaged cord. Do not run the cord through standing water or wet grass. Remove plug from the mains immediately if the power cord is damaged or cut.

Connecting to Power Supply

This product is designed with a cord retainer that prevents the extension cord from being pulled loose while in use.

1. Form a loop with the end of the extension cord.
2. Insert loop portion of extension cord through opening in the bottom of the rear handle and place over cord retainer.
3. Slowly pull loop against cord retainer until the slack is removed.
4. Plug product into extension cord (Figure 1).

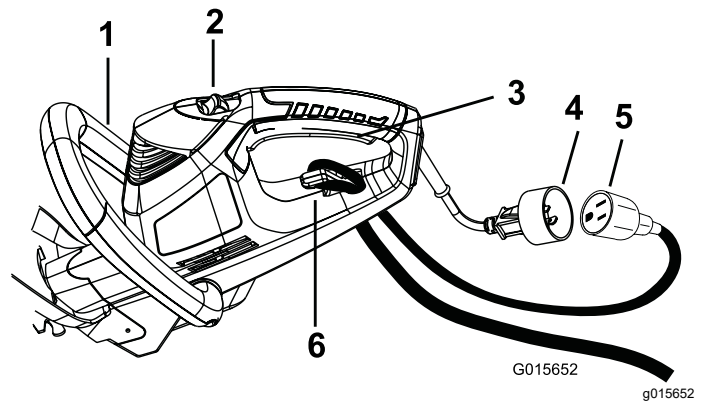


Figure 1

1. Auxiliary handle
2. Lock switch
3. Trigger and rear handle
4. 2-prong plug
5. Extension cord
6. Cord retainer

Starting the Hedge Trimmer

1. Remove the protective cover from the cutter blades (Figure 2).

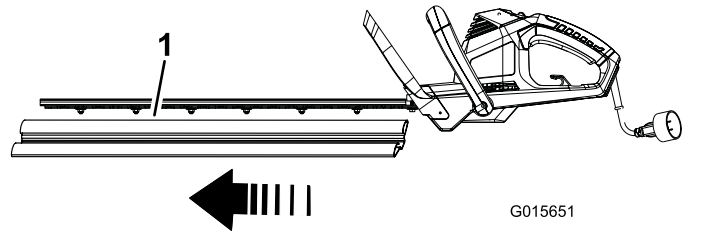


Figure 2

1. Protective cover
2. Attach an extension cord to the trimmer (Figure 1).
3. Place one hand on the trigger handle. Place the other hand on the auxiliary handle.
4. Slide the lock switch backwards, towards you, then squeeze the trigger switch to turn on the hedge trimmer (Figure 1). The trimmer will stay on as long as the trigger switch is squeezed. Lock-off switch may be released once hedge trimmer is running.

Stopping the Hedge Trimmer

1. Release the trigger switch (Figure 1).
2. Allow at least 5 seconds for the cutting blade to stop moving.
3. Fit the protective cover to the cutter blades and disconnect the trimmer from the extension cord when you are finished trimming.

Operating Tips

- Always check the hedge and cutting area for hidden objects; remove any foreign objects before trimming.
- The unit is used for cutting in either direction in a slow, sweeping action from side to side.
- Stand so that you are stable and balanced on both feet. Do not overreach.
- Never use the hedge trimmer near power lines, fencing, posts, buildings, or other immovable objects.
- Never use a blade after hitting a hard object without first inspecting it for damage. Do not use if any damage is detected.
- Never touch blades or service unit with the power supply connected.
- When operating the hedge trimmer, keep the extension cord behind the trimmer. Never drape it over the hedge being trimmed.
- When using a GFCI, ensure that the GFCI tripping current is 30 mA or less.
- Do not force the hedge trimmer through heavy shrubbery. This can cause the blades to bind and slow down. If the blades slow down, reduce the pace.
- Do not attempt to cut stems or twigs that are larger than 9/16 in., or those obviously too large to feed into the cutting blade. Use a non-powered hand saw or pruning saw to trim large stems.
- If blades do become jammed, stop the motor, allow the blades to stop, and disconnect the plug from the power source before attempting to remove the obstruction.
- If desired, you can use a string to help cut your hedge level. Decide how high you want the hedge. Stretch a piece of string along the hedge at the desired height. Trim the hedge just above the guide line of string. Trim the side of a hedge so that it will be slightly narrower at the top. More of the hedge will be exposed when shaped this way, and it will be more uniform.
- Wear gloves when trimming thorny or prickly growth. When trimming new growth, use a wide sweeping action, so that the stems are fed directly into the cutting blade. Older growth will have thicker stems and will be trimmed easiest by using a sawing movement.

Maintenance

Oiling the Trimmer Blade

1. Stop the motor and disconnect from power supply.
2. Clean dirt and debris from the body of the hedge trimmer, using a damp cloth with a mild detergent.

Note: Do not use any strong detergents on the plastic housing or the handle. They can be damaged by certain aromatic oils such as pine and lemon, and by solvents such as kerosene.

3. Lay the hedge trimmer on a flat surface. Apply light weight machine oil along the edge of the top blade. If you will be using the hedge trimmer for an extended period of time, it is advisable to oil the blade during use.

Note: Do not oil while the hedge trimmer is running.

Service

Should this item need service, take the product to your Authorized Toro Service Dealer. Your Toro Dealer is specially trained to fix Toro products and will ensure that your Toro stays "All" Toro.

Class II Appliance

A class II appliance is an appliance in which protection against electric shock does not rely on basic insulation only, but in which additional safety precautions, such as double insulation or reinforced insulation, are provided, there being no provision for protective earthing or reliance upon installation conditions. A class II appliance is marked by this symbol (□).

No grounding means is provided on a class II appliance, nor should a means for grounding be added to the appliance.

Servicing a class II appliance requires extreme care and knowledge of the system, and should be done only by the qualified service personnel at your Authorized Service Dealer.

Replacement parts for a class II appliance must be identical to the parts that they replace.

Storage

- Clean all foreign material from the product.
- Store it in a well-ventilated place that is inaccessible to children.
- Keep away from corrosive agents such as garden chemicals and de-icing salts.

California Proposition 65 Warning Information

What is this warning?

You may see a product for sale that has a warning label like the following:



WARNING: Cancer and Reproductive Harm—www.p65Warnings.ca.gov.

What is Prop 65?

Prop 65 applies to any company operating in California, selling products in California, or manufacturing products that may be sold in or brought into California. It mandates that the Governor of California maintain and publish a list of chemicals known to cause cancer, birth defects, and/or other reproductive harm. The list, which is updated annually, includes hundreds of chemicals found in many everyday items. The purpose of Prop 65 is to inform the public about exposure to these chemicals.

Prop 65 does not ban the sale of products containing these chemicals but instead requires warnings on any product, product packaging, or literature with the product. Moreover, a Prop 65 warning does not mean that a product is in violation of any product safety standards or requirements. In fact, the California government has clarified that a Prop 65 warning "is not the same as a regulatory decision that a product is 'safe' or 'unsafe.'" Many of these chemicals have been used in everyday products for years without documented harm. For more information, go to <https://oag.ca.gov/prop65/faqs-view-all>.

A Prop 65 warning means that a company has either (1) evaluated the exposure and has concluded that it exceeds the "no significant risk level"; or (2) has chosen to provide a warning based on its understanding about the presence of a listed chemical without attempting to evaluate the exposure.

Does this law apply everywhere?

Prop 65 warnings are required under California law only. These warnings are seen throughout California in a wide range of settings, including but not limited to restaurants, grocery stores, hotels, schools, and hospitals, and on a wide variety of products. Additionally, some online and mail order retailers provide Prop 65 warnings on their websites or in catalogs.

How do the California warnings compare to federal limits?

Prop 65 standards are often more stringent than federal and international standards. There are various substances that require a Prop 65 warning at levels that are far lower than federal action limits. For example, the Prop 65 standard for warnings for lead is 0.5 µg/day, which is well below the federal and international standards.

Why don't all similar products carry the warning?

- Products sold in California require Prop 65 labelling while similar products sold elsewhere do not.
- A company involved in a Prop 65 lawsuit reaching a settlement may be required to use Prop 65 warnings for its products, but other companies making similar products may have no such requirement.
- The enforcement of Prop 65 is inconsistent.
- Companies may elect not to provide warnings because they conclude that they are not required to do so under Prop 65; a lack of warnings for a product does not mean that the product is free of listed chemicals at similar levels.

Why does the manufacturer include this warning?

the manufacturer has chosen to provide consumers with as much information as possible so that they can make informed decisions about the products they buy and use. the manufacturer provides warnings in certain cases based on its knowledge of the presence of one or more listed chemicals without evaluating the level of exposure, as not all the listed chemicals provide exposure limit requirements. While the exposure from the manufacturer products may be negligible or well within the "no significant risk" range, out of an abundance of caution, the manufacturer has elected to provide the Prop 65 warnings. Moreover, if the manufacturer does not provide these warnings, it could be sued by the State of California or by private parties seeking to enforce Prop 65 and subject to substantial penalties.



Cortasetos eléctrico de 56 cm (22 pulgadas)

Nº de modelo 51490—Nº de serie 319000001 y superiores

Manual del operador



Si usted tiene alguna pregunta o algún problema, contáctenos en www.Toro.com o llame al teléfono gratuito 1-800-237-2654 (EE. UU.) o 1-800-248-3258 (Canadá) antes de devolver este producto.

Este cortasetos está indicado para el mantenimiento de arbustos y setos por parte de usuarios domésticos. Debe ser utilizada únicamente por adultos. El uso de este producto para otros propósitos que los previstos podría ser peligroso para usted y para otras personas.

Lea este manual detenidamente para aprender a utilizar y mantener correctamente su producto, y para evitar lesiones y daños al producto. Usted es responsable de utilizar el producto de forma correcta y segura.

Visite www.Toro.com para obtener más información, incluidos consejos de seguridad, materiales de formación, información sobre accesorios, ayuda para encontrar a un distribuidor o para registrar su producto.

⚠ ADVERTENCIA

CALIFORNIA

Advertencia de la Propuesta 65

El cable eléctrico de este producto contiene plomo, que el Estado de California sabe que causa defectos congénitos u otros peligros para la reproducción. Lávese las manos después de manejar el material.

El uso de este producto puede provocar la exposición a sustancias químicas que el Estado de California considera causantes de cáncer, defectos congénitos u otros trastornos del sistema reproductor.

Advertencias generales de seguridad para herramientas eléctricas

⚠ ADVERTENCIA Lea todas las instrucciones, ilustraciones, especificaciones y advertencias de seguridad proporcionadas con esta herramienta eléctrica. Si no se observan todas las instrucciones enumeradas a continuación pueden producirse descargas eléctricas, incendios y/o lesiones graves.

Guarde todas las advertencias e instrucciones para su referencia futura.

El término "herramienta eléctrica" que aparece en las advertencias se refiere siempre a una herramienta accionada por el suministro eléctrico de la red (con cable) o una herramienta eléctrica accionada por BATERÍA (sin cable).

LEA TODAS LAS INSTRUCCIONES

1. Seguridad de la zona de trabajo
 - A. Mantenga la zona de trabajo limpia y bien iluminada. Las zonas desordenadas u oscuras son una invitación al accidente.
 - B. No utilice herramientas eléctricas en atmósferas explosivas, como por ejemplo en presencia de líquidos inflamables, gases o polvo. Las herramientas eléctricas crean chispas que pueden inflamar el polvo o los vapores.
 - C. Mantenga alejados a niños y otras personas mientras utiliza una herramienta eléctrica. Las distracciones pueden hacer que pierda el control.
2. Seguridad eléctrica
 - A. La clavija de la herramienta eléctrica debe ser del tipo correcto para el enchufe. Nunca modifique el enchufe en modo alguno. No utilice ningún tipo de adaptadores de enchufe con herramientas eléctricas con toma de tierra.. El uso de clavijas sin modificar y enchufes compatibles reducirá el riesgo de descarga eléctrica.



- B. **Evite tocar superficies conectadas a tierra, tales como tuberías, radiadores, cocinas y refrigeradores.** *Hay un mayor riesgo de descarga eléctrica si su cuerpo hace tierra.*
- C. **No exponga las herramientas eléctricas a la lluvia o a condiciones húmedas.** *Si entra agua en una herramienta eléctrica, el riesgo de descarga eléctrica aumenta.*
- D. **No maltrate el cable. No utilice el cable nunca para transportar, arrastrar o desenchufar la herramienta eléctrica.** *Mantenga el cable alejado del calor, del aceite, de bordes cortantes y de piezas móviles. Los cables dañados o enredados aumentan el riesgo de descarga eléctrica.*
- E. **Si utiliza una herramienta eléctrica en el exterior, utilice un cable alargador adecuado para el uso en exteriores.** *El uso de un cable apropiado para el uso en exteriores reduce el riesgo de descarga eléctrica.*
- F. **Si no es posible evitar el uso de una herramienta eléctrica en un lugar húmedo, utilice un suministro eléctrico protegido por un dispositivo de corriente residual (GFCI o interruptor diferencial).** *El uso de un GFCI reduce el riesgo de descarga eléctrica.*
- G. **Desconecte la clavija del suministro eléctrico si no se está usando.** *Estas medidas de seguridad preventivas reducen el riesgo de un arranque accidental de la herramienta eléctrica.*
3. **Seguridad personal**
- A. **Manténgase alerta, esté atento a lo que está haciendo y utilice el sentido común mientras utiliza una herramienta eléctrica. No utilice una herramienta eléctrica si está cansado o bajo la influencia de drogas, alcohol o medicamentos.** *Una breve falta de atención mientras utiliza una herramienta eléctrica podría provocar lesiones personales graves.*
- B. **Utilice equipos de protección personal. Lleve siempre protección ocular.** *El uso de equipos de protección personal como mascarillas, calzado de seguridad antideslizante, casco y protección auditiva en condiciones apropiadas reducirá el riesgo de lesiones personales.*
- C. **Evite el encendido/arranque accidental. Asegúrese de que el interruptor está en la posición de APAGADO antes de conectar la herramienta a la toma de corriente y/o a la batería, y antes de levantar o transportar la herramienta.** *Transportar las herramientas eléctricas con el dedo sobre el interruptor o enchufar herramientas eléctricas con el interruptor en la posición de encendido es una invitación al accidente.*
- D. **Retire cualquier llave de ajuste antes de encender la herramienta eléctrica.** *Una llave olvidada en un componente giratorio de una herramienta eléctrica puede dar lugar a lesiones personales.*
- E. **No intente alcanzar zonas demasiado alejadas. Pise firme y mantenga el equilibrio en todo momento.** *Esto permite un mayor control de la herramienta en situaciones imprevistas.*
- F. **Utilice la ropa adecuada. No lleve ropas sueltas o joyas. Mantenga el pelo y la ropa alejados de las piezas móviles.** *La ropa suelta, las joyas y el pelo largo pueden quedar atrapados en las piezas móviles.*
- G. **Si existen dispositivos para la conexión de sistemas de recogida y extracción de polvo, asegúrese de conectarlos y usarlos correctamente.** *El uso de dispositivos de recolección de polvo puede reducir los riesgos asociados con el polvo.*
- H. **No deje que la familiaridad adquirida con el uso frecuente de las herramientas le haga confiarse demasiado y pasar por alto los principios de seguridad de las herramientas.** *Una acción descuidada puede causar lesiones graves en una fracción de un segundo.*
- I. **No permita que este dispositivo sea utilizado o mantenido por niños o por personas que no hayan recibido la formación adecuada.** *Sólo permita que manejen o revisen el dispositivo personas responsables, formadas, familiarizadas con las instrucciones y físicamente capaces de utilizar o revisar la máquina.*
4. **Uso y cuidado de las herramientas eléctricas**
- A. **No fuerce la herramienta eléctrica. Utilice la herramienta eléctrica adecuada para el trabajo a realizar.** *La herramienta eléctrica correcta realizará el trabajo mejor y con mayor seguridad a la velocidad para la que fue diseñada.*
- B. **No utilice la herramienta eléctrica si el interruptor no la enciende y apaga.** *Cualquier herramienta eléctrica que no pueda ser controlada con el interruptor es peligrosa y debe ser reparada.*
- C. **Desconecte la clavija del suministro eléctrico y/o extraiga la batería, si es extraíble, de la herramienta eléctrica antes de realizar cualquier ajuste, cambiar de accesorio o almacenar la herramienta.** *Estas medidas de seguridad preventivas reducen el riesgo de un arranque accidental de la herramienta eléctrica.*
- D. **Si no la está usando, guarde la herramienta eléctrica fuera del alcance de los niños, y no permita que la utilicen personas no familiarizadas con la herramienta eléctrica o con estas instrucciones de uso.** *Las herramientas eléctricas son peligrosas en manos de usuarios inexpertos.*
- E. **Mantenimiento de las herramientas eléctricas y los accesorios. Compruebe que las piezas móviles están correctamente alineadas y que se mueven libremente sin agarrotarse, que no hay piezas rotas, y que no hay otras circunstancias que podrían afectar al uso de la herramienta eléctrica.** *Si existen daños, haga reparar la herramienta eléctrica antes de usarla. Muchos accidentes se deben a un mantenimiento deficiente de las herramientas eléctricas.*
- F. **Mantenga las herramientas de corte afiladas y limpias.** *Una herramienta de corte bien mantenida con filos bien afilados es más fácil de controlar y hay menos probabilidades de que se agarrote.*
- G. **Utilice la herramienta eléctrica, los accesorios, las brocas, etc., según lo indicado en estas instrucciones, teniendo en cuenta las condiciones de trabajo y el trabajo a realizar.** *El uso de la herramienta eléctrica para operaciones diferentes de las previstas podría dar lugar a una situación de peligro.*
- H. **Mantenga las asas, empuñaduras y otras superficies de agarre secas, limpias y libres de aceite y grasa.** *Una asa o superficie de agarre resbaladiza no permite manejar y controlar la herramienta con seguridad en situaciones imprevistas.*
- I. **Los circuitos o tomas de fuerza que se vayan a utilizar con el aparato de jardinería deben estar provistos de**

interruptor diferencial (GFCI). Están disponibles tomas de fuerza con protección diferencial integrada que pueden ser utilizadas para cumplir esta medida de seguridad.

- J. Para reducir el riesgo de descarga eléctrica, este aparato tiene una clavija polarizada (una patilla es más ancha que la otra) y es preciso utilizar un cable alargador polarizado. La clavija del aparato sólo puede conectarse a un cable polarizado en un sentido. Si la clavija no entra, adquiera un cable alargador polarizado correcto. Un cable alargador polarizado requiere el uso de una base de enchufe polarizada. Esta clavija sólo puede conectarse a una base de enchufe polarizada en un sentido. Si la clavija todavía no entra, póngase en contacto con un electricista cualificado para que instale una base de enchufe adecuada. No modifique de manera alguna la clavija del aparato, el enchufe del cable alargador o la clavija del cable alargador.
- K. **Mantenga los protectores colocados y en buen estado de funcionamiento.** *Asegúrese de que todos los protectores están correctamente instalados y que no están dañados para reducir el riesgo de lesiones.*
- L. **Guarde bajo techo los aparatos que no se están utilizando.** *Cuando no se están utilizando, los aparatos deben guardarse en un lugar seco, en alto o bajo llave, y fuera del alcance de los niños.*
- M. **Realice cuidadosamente el mantenimiento del aparato – Mantenga afilado y limpio el filo de corte para obtener el mejor rendimiento y para reducir el riesgo de lesiones.** *Siga las instrucciones para lubricar y cambiar de accesorio. Inspeccione periódicamente el cable del aparato, y si está dañado, hágalo reparar por un servicio técnico autorizado. Inspeccione periódicamente los cables alargadores y cámbielos si están dañados. Mantenga las empuñaduras secas, limpias y libres de aceite y grasa.*
- N. **Inspeccione cualquier pieza dañada – Antes de seguir utilizando el aparato, si hay un protector u otro componente dañado, es necesario comprobarlo detenidamente para determinar si puede funcionar correctamente y cumplir su cometido.** *Compruebe que las piezas móviles están correctamente alineadas y que se mueven libremente sin agarrotarse, que están correctamente montadas, que no hay piezas rotas, y que no hay otras circunstancias que pudieran afectar a su uso. Si hay un protector u otro componente dañado, debe ser debidamente reparado o sustituido por un servicio técnico autorizado a menos que se indique lo contrario en este manual.*

5. Mantenimiento

- A. **El mantenimiento de su herramienta eléctrica debe ser realizado por un técnico de reparaciones debidamente cualificado, utilizando únicamente piezas de repuesto idénticas.** *Sólo de esta manera se garantiza el mantenimiento de la seguridad de la herramienta eléctrica.*
- B. **No repare nunca un cable de alimentación dañado.** *Si el cable está dañado, debe ser sustituido por el fabricante, un servicio técnico autorizado u otro especialista con cualificaciones similares para evitar riesgos.*

6. Advertencias de seguridad para cortasetos

- A. **Mantenga todo el cuerpo alejado de la cuchilla. No retire el material cortado ni sujete el material a cortar mientras las cuchillas están en movimiento.**

Las cuchillas siguen moviéndose después de apagarse el interruptor. Una breve falta de atención mientras utiliza una herramienta eléctrica podría provocar lesiones personales graves.

- B. **Transporte el cortasetos por la empuñadura con la cuchilla parada y tenga cuidado de no accionar ningún interruptor de encendido.** *Si transporta correctamente el cortasetos, se reducirá el riesgo de un arranque inadvertido y el riesgo de lesiones personales causadas por las cuchillas.*
- C. **Antes de transportar o almacenar el cortasetos, coloque siempre la funda de la cuchilla.** *Un manejo correcto del cortasetos reduce la posibilidad de sufrir lesiones personales causadas por las cuchillas.*
- D. **Antes de eliminar material atascado o realizar tareas de mantenimiento en la unidad, asegúrese de que todos los interruptores de encendido están en Apagado y que el cable de alimentación ha sido desconectado.** *La activación inesperada del cortasetos durante la eliminación de material atascado o durante el mantenimiento puede causar lesiones personales graves.*
- E. **Sujete el cortasetos únicamente por las superficies de agarre aisladas, porque la cuchilla podría entrar en contacto con cables ocultos o con su propio cable.** *Si las cuchillas entran en contacto con un cable con corriente, las partes metálicas expuestas del cortasetos también tendrán corriente y el operador podría recibir una descarga eléctrica.*
- F. **Mantenga todos los cables eléctricos alejados de la zona de corte.** *Los cables eléctricos puede quedar ocultos entre los setos o arbustos y ser cortados accidentalmente por la cuchilla.*
- G. **No utilice el cortasetos en condiciones meteorológicas adversas, especialmente si hay riesgo de rayos.** *Esto reduce el riesgo de ser alcanzado por un rayo.*
- H. **Utilice siempre las dos manos para manejar el cortasetos.** *Sujete el cortasetos con ambas manos para evitar perder el control.*
- I. **Siempre pise firme y utilice el cortasetos únicamente cuando esté en una superficie fija, segura y nivelada.** *Las superficies resbaladizas o inestables, tales como escaleras, pueden hacerle perder el equilibrio o el control del cortasetos.*

7. Aparato de la Clase II

Un aparato de la Clase II es un aparato cuya protección contra descargas eléctricas no depende únicamente del aislamiento básico, sino que incorpora elementos de seguridad adicionales como doble aislamiento o aislamiento reforzado, al no existir la posibilidad de una puesta a tierra como protección, o de unas determinadas condiciones de instalación. Un aparato de la Clase II lleva este símbolo (□).

8. Cable alargador

⚠ ADVERTENCIA

El uso de un cable alargador incorrecto puede causar una descarga eléctrica.

Utilice únicamente un cable alargador diseñado para el uso en exteriores, como por ejemplo un cable alargador tipo SW-A, SOW-A, STW-A, STOW-A, SJW-A, SJOW-A, SJTW-A, o SJTOW-A.

Asegúrese de que su cable alargador está en buenas condiciones. Si utiliza un cable alargador, utilice uno que tenga potencia suficiente para la corriente que consume su producto. Un cable alargador demasiado fino provocará una caída de la tensión del cable, con pérdida de potencia y sobrecalentamiento. La tabla siguiente muestra el tamaño de cable adecuado, dependiendo de su longitud. En caso de duda, utilice cable del siguiente tamaño superior. Cuanto menor sea el calibre, más grueso será el cable.

Longitud del cable alargador	Sección mínima del conductor
7.6 m (25 pies)	16
15.2 m (50 pies)	16
30.5 m (100 pies)	16
45.7 m (150 pies)	14

Nota: No utilice un cable alargador de más de 45.7 m (150 pies) de largo.

Para reducir el riesgo de desconexión del cable alargador durante el uso, conecte el cable alargador a la desbrozadora de la manera indicada en [Conexión a la red eléctrica \(página 6\)](#).

GUARDE ESTAS INSTRUCCIONES

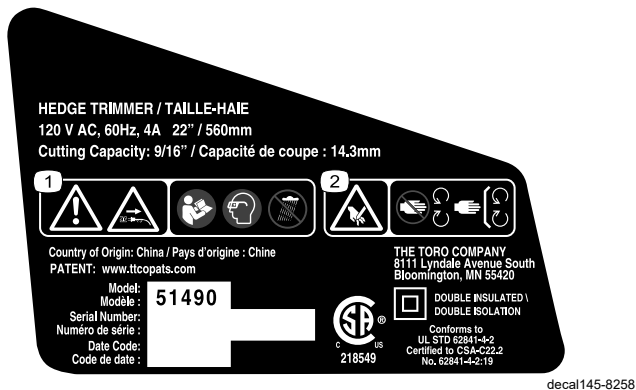
Especificaciones eléctricas: 120 V ~ 60 Hz 4 A

Pegatinas de seguridad e instrucciones



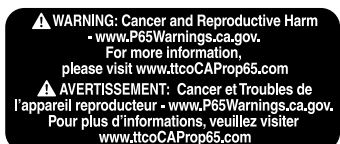
Las pegatinas de seguridad e instrucciones están a la vista del operador y están ubicadas cerca de cualquier zona de peligro potencial. Sustituya cualquier pegatina que esté dañada o que falte.

Símbolo	Nombre	Designación/explicación
CA	Corriente alterna	Tipo de corriente
A	Ampere	Corriente
Hz	Hertz	Frecuencia (ciclos por segundo)
SPM	Ciclos por minuto	Velocidad de la cuchilla
V	Volt	Voltaje (Tensión)



145-8258

1. Advertencia: desenchufe la máquina si el cable está dañado – lea el *Manual del operador*; lleve protección ocular; no utilice la máquina en condiciones húmedas.
2. Peligro de corte/desmembramiento de los dedos o la mano – mantenga colocados todos los protectores y defensas.



decal138-6699

138-6699

Operación

Preparación del aparato

Para garantizar una utilización segura y eficiente de su cortasetos, utilice únicamente un cable alargador con homologación UL recomendado para el uso en exteriores. Consulte la siguiente Tabla de cables alargadores.

Sección mínima de cables alargadores (AWG—120 V solamente)

Longitud del cable alargador	Sección mínima del conductor
7.6 m (25 pies)	16
15.2 m (50 pies)	16
30.5 m (100 pies)	16
45.7 m (150 pies)	14

Nota: No utilice un cable alargador de más de 150 pies (45.7 m) de largo.

Importante: Durante el uso, compruebe frecuentemente que el aislamiento del cable de alimentación no está perforado. No utilice el cable si está dañado. No pase el cable por charcos de agua o hierba húmeda. Desenchufe el aparato de la red eléctrica inmediatamente si se daña o se corta el cable de alimentación.

Conexión a la red eléctrica

Este producto está diseñado con un retenedor de cable que impide que el cable alargador se desconecte durante el uso.

1. Forme un bucle con el extremo del cable alargador.
2. Introduzca el bucle del cable alargador a través de la abertura del fondo de la empuñadura trasera y colóquelo alrededor del retenedor de cable.
3. Tire lentamente del bucle contra el retenedor de cable hasta eliminar la holgura.
4. Enchufe el producto en el cable alargador (Figura 1).

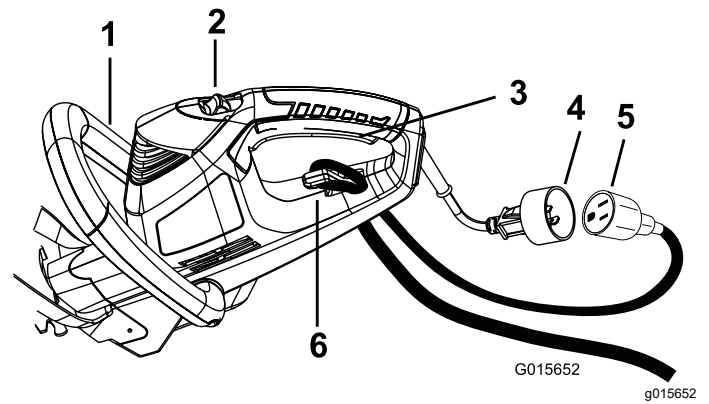


Figura 1

1. Empuñadura auxiliar
2. Interruptor de bloqueo
3. Gatillo y empuñadura
4. Enchufe de 2 clavijas
5. Cable alargador
6. Retenedor de cable trasero

Cómo arrancar el cortasetos

1. Retire la funda protectora de las cuchillas (Figura 2).

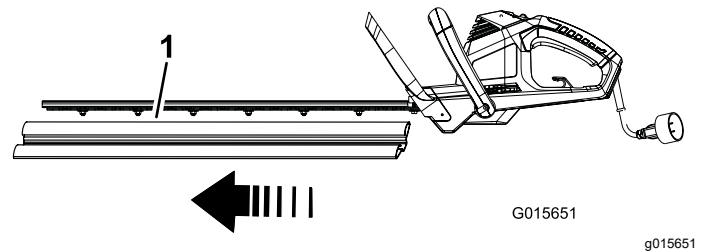


Figura 2

1. Funda protectora
2. Conecte el cable alargador al cortasetos (Figura 1).
3. Coloque una mano en la empuñadura con gatillo. Coloque la otra mano en la empuñadura auxiliar.
4. Deslice el interruptor de bloqueo hacia atrás, hacia usted, luego apriete el gatillo para encender el cortasetos (Figura 1). El cortasetos permanecerá encendido mientras se apriete el gatillo. Puede soltar el interruptor de bloqueo una vez que el cortasetos esté funcionando.

Cómo apagar el cortasetos

1. Suelte el gatillo (Figura 1).
2. Espere al menos 5 segundos para que la cuchilla se detenga.
3. Coloque la funda protectora sobre las cuchillas y desconecte el cortasetos del cable alargador cuando termine de usar el aparato.

Consejos de operación

- Inspeccione siempre el seto y la zona de corte en busca de objetos ocultos; retire cualquier objeto extraño antes de cortar.
- El aparato corta en ambos sentidos, con movimientos lentos de barrido de un lado a otro.
- Colóquese de manera estable con el peso repartido entre ambos pies. No intente alcanzar zonas demasiado alejadas.
- No utilice el cortasetos nunca cerca de tendidos eléctricos, vallas, postes, edificios y otros objetos inamovibles.
- Si la cuchilla golpea un objeto duro, no la utilice sin antes inspeccionarla en busca de desperfectos. No la utilice si detecta algún desperfecto.
- No toque nunca las cuchillas ni realice tareas de mantenimiento con el cable de alimentación conectado.
- Mientras utiliza el cortasetos, mantenga el cable alargador detrás del aparato. No lo deje caer nunca sobre el seto que está cortando.
- Si utiliza un GFCI, asegúrese de que la corriente de disparo del GFCI es de 30 mA o menos.
- No fuerce el cortasetos si la vegetación es densa. Esto puede hacer que las cuchillas se agarroten y vayan más despacio. Si las cuchillas empiezan a ir más despacio, reduzca el ritmo de corte.
- No intente cortar tallos o ramitas de más de 1.5 cm (9/16 pulgada), o que sean obviamente demasiado grandes para entrar en el mecanismo de corte. Utilice un serrucho manual o una sierra de podar para cortar tallos grandes.
- Si las cuchillas se atascan, pare el motor, espere a que las cuchillas se detengan y desenchufe el aparato de la red eléctrica antes de intentar retirar la obstrucción.
- Si lo desea, puede utilizar una cuerda para facilitar el corte horizontal del seto. Decida a qué altura desea dejar el seto. Extienda una cuerda a lo largo del seto a la altura deseada. Corte el seto justo por encima de la línea guía de cuerda. Corte el costado del seto de manera que quede algo más estrecho en la parte superior. De esta manera quedará expuesta una superficie mayor del seto y será más uniforme.
- Lleve guantes si va a cortar plantas con espinas. Para cortar el crecimiento nuevo, utilice una acción amplia de barrido, de manera que los tallos se dirijan directamente hacia la cuchilla. El crecimiento más antiguo tendrá tallos más gruesos y se recorta mejor con movimientos de sierra.

Mantenimiento

Lubricación de la cuchilla

1. Pare el motor y desenchufe el aparato de la red eléctrica.
2. Limpie la suciedad y los residuos del cuerpo del cortasetos usando un paño húmedo con un detergente suave.
Nota: No utilice detergentes fuertes en la carcasa de plástico ni en la empuñadura. Pueden ser dañadas por algunos aceites aromáticos, por ejemplo de pino o limón, y por disolventes como el queroseno.
3. Coloque el cortasetos en una superficie plana. Aplique aceite ligero para máquinas a lo largo del filo de la cuchilla. Si va a utilizar el cortasetos durante un período largo de tiempo, es aconsejable aplicar aceite a la cuchilla durante el uso.

Nota: No aplique aceite con los cortasetos en marcha.

Mantenimiento

Si este artículo necesita mantenimiento, llévelo a un Servicio Técnico Autorizado de Toro. Su Distribuidor Toro ha recibido formación especial en la reparación de los productos Toro y se asegurará de que su Toro siga siendo "Todo Toro".

Aparato de la Clase II

Un aparato de la Clase II es un aparato cuya protección contra descargas eléctricas no depende únicamente del aislamiento básico, sino que incorpora elementos de seguridad adicionales como doble aislamiento o aislamiento reforzado, al no existir la posibilidad de una puesta a tierra como protección, o de unas determinadas condiciones de instalación. Un aparato de la Clase II lleva este símbolo (□).

Un aparato de la Clase II no incorpora ningún medio de puesta a tierra, y no se debe añadir al aparato ningún medio de puesta a tierra.

El mantenimiento de un aparato de la Clase II requiere un cuidado extremo y un buen conocimiento del sistema, y sólo debe ser realizado por técnicos cualificados en un Servicio Técnico Autorizado.

Las piezas de repuesto de un aparato de la Clase II deben ser idénticas a las que sustituyen.

Almacenamiento

- Limpie cualquier material extraño del producto.
- Guárdelo en un lugar bien ventilado fuera del alcance de los niños.
- Manténgalo alejado de agentes corrosivos como productos químicos de jardín o sal para deshielo.

Notas:

Información sobre las Advertencias de la Proposición 65 de California

¿Qué significa esta advertencia?

Puede ver un producto a la venta que lleva una etiqueta de advertencia como la siguiente:



ADVERTENCIA: Cáncer y daños reproductivos – www.p65Warnings.ca.gov.

¿Qué es la Proposición 65?

La Proposición 65 afecta a cualquier empresa que tenga presencia en California, que venda productos en California, o que fabrique productos que podrían ser introducidos o vendidos en California. Esta ley exige que el Gobernador de California mantenga y publique una lista de sustancias químicas identificadas como causantes de cáncer, defectos de nacimiento y/u otros daños reproductivos. La lista, que se actualiza anualmente, incluye cientos de productos químicos que se encuentran en muchos artículos de uso diario. El propósito de la Proposición 65 es informar al público sobre la exposición a estos productos químicos.

La Proposición 65 no prohíbe la venta de productos que contengan estos productos químicos, sino que requiere la presencia de advertencias en el producto, el envase y la documentación suministrada con el producto. Además, una advertencia de la Proposición 65 no significa que el producto contravenga ninguna norma o requisito de seguridad. De hecho, el gobierno de California ha aclarado que una advertencia bajo la Proposición 65 "no es lo mismo que una decisión legal sobre la 'seguridad' o la 'inseguridad' de un producto". Muchos de estos productos químicos han sido utilizados durante años en productos de uso diario sin que se hayan producido daños documentados. Para obtener más información, visite <https://oag.ca.gov/prop65/faqs-view-all>.

Una advertencia de la Proposición 65 significa que una empresa (1) ha evaluado la exposición y ha concluido que supera el nivel de "sin riesgo significativo"; o (2) ha optado por proporcionar una advertencia basándose en sus conocimientos respecto a la presencia de un producto químico de los incluidos en la lista, sin intentar evaluar la exposición.

¿Esta ley es aplicable en todas partes?

Las advertencias de la Proposición 65 sólo son obligatorias bajo la legislación de California. Estas advertencias se ven por toda California en una gran variedad de entornos, incluyendo entre otros restaurantes, tiendas de alimentación, hoteles, escuelas y hospitales, y en una amplia variedad de productos. Además, algunos minoristas de Internet y de la venta por correo incluyen advertencias de la Proposición 65 en sus sitios web o en sus catálogos.

¿Qué diferencia hay entre las advertencias de California y los límites federales?

Las normas de la Proposición 65 son a menudo más exigentes que las normas federales o internacionales. Varias sustancias requieren una advertencia bajo la Proposición 65 a niveles muy inferiores a los límites federales. Por ejemplo, el nivel exigido por la Proposición 65 para las advertencias sobre el plomo es de 0.5 µg/día, que es muy inferior a lo que exigen las normas federales e internacionales.

¿Por qué no llevan la advertencia todos los productos similares?

- Los productos vendidos en California deben llevar etiquetas bajo la Proposición 65, mientras que otros productos similares que se venden en otros lugares no las necesitan.
- Una empresa puede estar obligada a incluir advertencias de Proposición 65 en sus productos como condición de un acuerdo tras un procedimiento legal relacionado con la Proposición 65, pero otras empresas que fabrican productos similares no tienen necesariamente la misma obligación.
- La aplicación de la Proposición 65 no es uniforme.
- Algunas empresas pueden optar por no proporcionar advertencias porque concluyen que no están obligadas a hacerlo bajo la Proposición 65; la falta de advertencias en un producto no significa que el producto esté libre de los productos químicos incluidos en la lista a niveles similares.

¿Por qué incluye el fabricante esta advertencia?

El fabricante ha optado por proporcionar a los consumidores la mayor cantidad posible de información para que puedan tomar decisiones informadas sobre los productos que compra y utiliza. El fabricante proporciona advertencias en ciertos casos basándose en sus conocimientos sobre la presencia de uno o más productos químicos de la lista, sin evaluar el nivel de exposición, puesto que la lista no incluye límites de exposición para todos los productos químicos que contiene. Aunque la exposición que provocan los productos del fabricante puede ser insignificante, o estar dentro de los límites de la categoría "sin riesgo significativo", el fabricante ha optado por proporcionar las advertencias de la Proposición 65 por simple precaución. Además, si el fabricante no proporcionara estas advertencias, podría ser demandada por el Estado de California o por particulares bajo la Proposición 65, y estar sujeta a importantes sanciones.



Taille-haie électrique de 56 cm (22 pouces)

N° de modèle 51490—N° de série 319000001 et suivants

Manuel de l'utilisateur



Pour tout conseil ou renseignement, contactez-nous à www.Toro.com ou appelez notre numéro vert 1-800-237-2654 (États-Unis) ou 1-800-248-3258 (Canada) avant de renvoyer ce produit.

Ce taille-haie est destiné au grand public, pour la taille des buissons et des haies. Il ne doit être utilisé que par des personnes adultes. L'utilisation de ce produit à d'autres fins que celle prévue peut être dangereuse pour vous-même et toute personne à proximité.

Lisez attentivement cette notice pour apprendre comment utiliser et entretenir correctement votre produit, et éviter ainsi de l'endommager ou de vous blesser. Vous êtes responsable de l'utilisation sûre et correcte du produit.

Pour plus d'information, y compris des conseils de sécurité, des documents de formation, des renseignements concernant un accessoire, pour obtenir l'adresse d'un dépositaire ou pour enregistrer votre produit, rendez-vous sur le site www.Toro.com.

▲ ATTENTION

CALIFORNIE

Proposition 65 - Avertissement

Le cordon d'alimentation de cette machine contient du plomb, une substance chimique considérée par l'état de Californie comme susceptible de provoquer des malformations congénitales et autres troubles de la reproduction. Lavez-vous les mains après avoir manipulé la batterie.

L'utilisation de ce produit peut entraîner une exposition à des substances chimiques considérées par l'état de Californie comme capables de provoquer des cancers, des anomalies congénitales ou d'autres troubles de la reproduction.

Mises en garde générales concernant la sécurité des outils électriques

▲ ATTENTION Prenez connaissance de toutes les consignes de sécurité, instructions, illustrations et spécifications qui accompagnent cet outil électrique. *Le non respect de toutes les instructions énoncées ci-après peut entraîner des chocs électriques, un incendie et/ou des blessures graves.*

Conservez précieusement toutes les mises en garde et consignes de sécurité pour référence ultérieure.

Le terme « outil électrique » utilisé dans toutes les mises en garde renvoie à votre outil électrique branché sur le secteur (câblé) ou alimenté par batterie (sans fil).

LIRE TOUTES LES INSTRUCTIONS

1. **Sécurité sur la zone de travail**
 - A. **La zone de travail doit être propre et bien éclairée.** *Les endroits sombres et encombrés sont propices aux accidents.*
 - B. **N'utilisez jamais d'outils électriques dans des atmosphères explosives, en présence de liquides, gaz ou poussière inflammables par exemple.** *Les outils électriques produisent des étincelles qui peuvent enflammer la poussière ou les vapeurs/émanations.*
 - C. **Tenez enfants et spectateurs à distance pendant l'utilisation d'un outil électrique.** *Les distractions peuvent entraîner la perte de contrôle de l'outil.*
2. **Sécurité électrique**
 - A. **La fiche des outils électriques doit correspondre au type de prise. Ne modifiez jamais la fiche électrique. N'utilisez pas d'adaptateur avec les outils électriques reliés à la terre.** *Les fiches et prises correspondantes non modifiées réduisent le risque de choc électrique.*
 - B. **Évitez tout contact du corps avec des surfaces reliées à la terre/masse, par exemple tuyaux,**



radiateurs, cuisinières et réfrigérateurs. Le risque de choc électrique augmente si vous êtes relié à la terre.

- C. **N'exposez pas les outils électriques à la pluie ou à l'humidité.** Toute infiltration d'eau dans un outil électrique augmente le risque de choc électrique.
- D. **Ne maltraitez pas le cordon d'alimentation. Ne vous servez jamais du cordon pour transporter, tirer ou débrancher l'outil électrique. Éloignez le cordon des surfaces chaudes, de la graisse, des arêtes vives ou des pièces mobiles.** Les cordons endommagés ou emmêlés augmentent le risque de choc électrique.
- E. **Si vous utilisez un outil électrique à l'extérieur, utilisez toujours une rallonge adaptée à l'usage extérieur.** L'utilisation d'une rallonge prévue pour l'usage extérieur réduit le risque de choc électrique.
- F. **Si l'utilisation d'un outil électrique dans un endroit humide ne peut être évitée, utilisez une alimentation protégée par un disjoncteur de fuite à la terre (GFCI).** L'utilisation d'un disjoncteur GFCI réduit le risque de choc électrique.
- G. **Débranchez la fiche de la source d'alimentation lorsque l'outil ne sert pas.** Ces mesures de sécurité préventives réduisent le risque de démarrage accidentel de l'outil.

3. Sécurité personnelle

- A. **Restez vigilant(e), concentrez-vous sur votre tâche et faites preuve de bon sens lorsque vous utilisez un outil électrique. N'utilisez jamais un outil électrique si vous êtes fatigué ou sous l'emprise de l'alcool, de drogues ou de médicaments.** Un seul moment d'inattention pendant l'utilisation peut entraîner de graves blessures.
- B. **Utilisez des équipements de protection individuelle. Portez toujours une protection oculaire.** Les équipements de protection individuelle comme les masques antipoussière, les chaussures de sécurité à semelle antidérapante, les casques et les protections antibruit utilisés de manière pertinente réduisent les risques de blessures.
- C. **Évitez tout démarrage accidentel. Assurez-vous que l'interrupteur Marche/Arrêt est en position ARRÊT avant de connecter l'outil à une source d'alimentation et/ou à la batterie, de le prendre en main ou de le transporter.** Des accidents peuvent se produire si vous transportez un outil électrique en gardant le doigt sur l'interrupteur d'alimentation ou si vous le mettez sous tension sans avoir placé l'interrupteur en position Arrêt.
- D. **Retirez toute clé de réglage ou autre avant de mettre l'outil en marche.** Une clé oubliée sur une pièce rotative de l'outil électrique pourrait vous blesser.
- E. **Ne travaillez pas trop loin devant vous. Gardez toujours les pieds bien posés à terre et faites en sorte de ne pas perdre l'équilibre.** Vous pourrez ainsi garder le contrôle de l'outil en cas d'événement inattendu.
- F. **Portez des vêtements adéquats. Ne portez pas de vêtements amples ni de bijoux pendants. N'approchez pas les cheveux ni les vêtements des pièces en mouvement.** Les vêtements amples, les bijoux pendants ou les cheveux longs peuvent se prendre dans les pièces mobiles.
- G. **Si des dispositifs sont fournis pour le raccordement d'équipements de dépoussiérage et de récupération, assurez-vous qu'ils sont connectés et utilisés**

correctement. L'utilisation d'un dispositif de récupération des poussières peut réduire les risques associés aux poussières.

- H. **Même si vous avez l'habitude d'utiliser les outils, ne relâchez pas votre attention et n'ignorez pas les principes de sécurité des outils.** Une imprudence peut causer des blessures graves en une fraction de seconde.
 - I. **Ne confiez pas l'utilisation ou l'entretien de cet outil à des enfants ou à des personnes non qualifiées.** Ne confiez l'utilisation de l'outil électrique qu'à des personnes responsables, compétentes, qui ont lu et compris les instructions et sont physiquement aptes à l'utiliser et en faire l'entretien.
- ### 4. Utilisation et entretien des outils électriques
- A. **Ne faites pas forcer l'outil électrique. Utilisez l'outil électrique correct pour la tâche à accomplir.** Un outil électrique adapté donnera de meilleurs résultats et sera moins dangereux s'il est utilisé dans les limites prévues.
 - B. **Ne vous servez pas de l'outil électrique si l'interrupteur marche/arrêt ne permet pas de le mettre en marche et de l'arrêter correctement.** Un outil électrique qui ne peut pas être commandé par l'interrupteur marche/arrêt est dangereux et doit être réparé.
 - C. **Débranchez l'outil de la source d'alimentation et/ou enlevez la batterie de l'outil, si elle est amovible, avant d'effectuer des réglages, de changer d'accessoire ou de ranger l'outil.** Ces mesures de sécurité préventives réduisent le risque de démarrage accidentel de l'outil.
 - D. **Rangez les outils électriques non utilisés hors de la portée des enfants et ne confiez leur utilisation qu'à des personnes connaissant leur maniement et ayant lu ces instructions.** Les outils électriques sont dangereux s'ils sont mis entre les mains d'utilisateurs novices.
 - E. **Effectuez l'entretien des outils et des accessoires. Vérifiez si des pièces sont mal alignées, grippées, cassées ou présentent tout autre défaut susceptible d'affecter le bon fonctionnement de l'outil électrique. S'il est endommagé, faites réparer l'outil électrique avant de l'utiliser.** De nombreux accidents sont causés par des outils électriques en mauvais état.
 - F. **Gardez les outils de coupe propres et bien affûtés.** Des outils de coupe entretenus correctement et bien affûtés sont moins susceptibles de coincer et sont plus faciles à contrôler.
 - G. **Utilisez l'outil électrique, les accessoires, les outils rapportés, etc. en conformité avec ces instructions, en tenant compte des conditions de travail et de la tâche à réaliser.** L'utilisation de l'outil électrique pour des opérations autres que celles prévues peut engendrer une situation dangereuse.
 - H. **Gardez les poignées et surfaces de préhension sèches, propres et exemptes d'huile et de graisse.** Les poignées et les surfaces de préhension glissantes ne permettent pas de manipuler et de contrôler l'outil en toute sécurité dans des situations imprévues.
 - I. Un disjoncteur de fuite à la terre (GFCI) doit être installé sur le(s) circuit(s) ou prise(s) qui seront utilisés avec l'appareil de jardinage. Des prises dotées d'une protection GFCI intégrée sont disponibles et peuvent être utilisées pour satisfaire cette consigne de sécurité.

- J. Pour réduire le risque de choc électrique, cet appareil est muni d'une fiche polarisée (une broche est plus large que l'autre) et nécessite donc d'utiliser une rallonge polarisée. La fiche de l'appareil ne peut se brancher sur une rallonge polarisée que d'une seule façon. Si la fiche ne peut pas être branchée, procurez-vous une rallonge polarisée. Une rallonge polarisée nécessite d'utiliser une prise murale polarisée. Cette fiche ne peut se brancher sur la prise murale polarisée que d'une seule façon. S'il est toujours impossible de brancher la fiche, demandez à un électricien qualifié d'installer une prise murale adéquate. Ne modifiez en aucun cas la fiche de l'outil électrique, la prise de la rallonge ou la fiche de la rallonge.
- K. **Les déflecteurs doivent toujours être en place et en bon état.** Assurez-vous que tous les déflecteurs sont en bon état et correctement installés afin de réduire le risque de blessure.
- L. **Rangez les outils électriques à l'intérieur lorsqu'ils ne servent pas.** Lorsque les outils ne sont pas utilisés, rangez-les dans un local sec en hauteur ou sous clé, hors de la portée des enfants.
- M. **Gardez l'appareil en bon état – Pour obtenir des performances optimales et réduire le risque de blessure, conservez le tranchant bien affûté et propre.** Suivez les instructions de graissage et de remplacement des accessoires. Examinez régulièrement le cordon d'alimentation et faites-le réparer par un réparateur Toro agréé s'il est endommagé. Examinez périodiquement l'état des rallonges et remplacez-les si elles sont endommagées. Gardez les poignées propres et sèches, et exemptes d'huile et de graisse.
- N. **Vérifiez les pièces endommagées – Avant de continuer à utiliser l'appareil, examinez soigneusement toute protection ou pièce endommagée pour déterminer si elle pourra fonctionner correctement et assurer sa fonction comme prévu.** Vérifiez si des pièces mobiles sont mal alignées ou grippées, si des pièces sont cassées, mal fixées ou présentent tout autre défaut susceptible d'affecter son fonctionnement. Toute protection ou autre pièce endommagée doit être correctement réparée ou remplacée par un centre de service agréé, sauf indication contraire dans le présent manuel.
5. **Entretien**
- A. **Confiez l'entretien de votre outil électrique à un réparateur qualifié utilisant exclusivement des pièces de rechange identiques.** La sécurité de votre outil électrique sera ainsi maintenue.
- B. **Ne réparez jamais les cordons d'alimentation endommagés.** Si le cordon est endommagé, il doit être remplacé par le fabricant, un dépositaire-réparateur agréé ou technicien qualifié assimilé pour éviter tout danger.
6. **Avertissements de sécurité pour le taille-haie**
- A. **N'approchez aucune partie du corps de la lame. Ne retirez pas le matériau coupé et ne tenez pas le matériau à couper pendant le fonctionnement des lames.** Les lames continuent de fonctionner après la mise hors tension de l'outil. Un seul moment d'inattention pendant l'utilisation du taille-haie peut entraîner de graves blessures.
- B. **Portez le taille-haie par la poignée avec la lame arrêtée et en prenant soin de ne pas actionner l'interrupteur d'alimentation.** Le transport correct du taille-haie réduit le risque de démarrage accidentel et de blessures causées par les lames.
- C. **Mettez toujours le couvre-lame en place avant de transporter ou de ranger le taille-haie.** La manipulation correcte du taille-haie réduit le risque de démarrage accidentel et de blessures causées par les lames.
- D. **Lorsque vous enlevez des matériaux coincés ou que vous faites l'entretien de l'appareil, assurez-vous que tous les interrupteurs d'alimentation sont en position hors tension et que le cordon d'alimentation est débranché.** La mise en marche inopinée du taille-haie lors du dégagement d'une obstruction ou de l'entretien peut entraîner des blessures graves.
- E. **Tenez le taille-haie uniquement par les surfaces de préhension isolées, car la lame peut toucher des câbles cachés ou son propre cordon d'alimentation.** Si les lames entrent en contact avec un câble « sous tension », les pièces métalliques exposées du taille-haie peuvent également être mises « sous tension » et causer un choc électrique pour l'utilisateur.
- F. **Tenez tous les cordons et câbles d'alimentation à l'écart de la zone de coupe.** Des cordons ou câbles d'alimentation peuvent être cachés par des haies ou des buissons et risquent d'être accidentellement coupés par la lame.
- G. **N'utilisez pas le taille-haie par mauvais temps, surtout s'il existe un risque de foudre.** Cela réduit le risque d'être frappé par la foudre.
- H. **Tenez toujours le taille-haie des deux mains pendant l'utilisation.** Tenez le taille-haie des deux mains pour éviter d'en perdre le contrôle.
- I. **Tenez-vous toujours bien d'aplomb sur une surface stable, ferme et de niveau quand vous utilisez le taille-haie.** Les surfaces glissantes ou instables, telles les échelles, peuvent vous faire perdre l'équilibre ou le contrôle du taille-haie.

7. Appareil Classe II

Un appareil de Classe II est un appareil dont la protection contre les chocs électriques ne repose pas uniquement sur l'isolation de base, mais qui bénéficie de mesures de sécurité supplémentaires, telle une double isolation ou une isolation renforcée, sachant qu'il n'y a pas de protection par mise à la terre et que les conditions d'installation n'apportent pas de garantie. Les appareils de Classe II portent ce symbole (□).

8. Rallonge

⚠ ATTENTION

L'utilisation d'une rallonge inadéquate peut entraîner un choc électrique.

Utilisez uniquement une rallonge conçue pour être utilisée en extérieur, telle qu'une rallonge de type SW-A, SOW-A, STW-A, STOW-A, SJW-A, SJOW-A, SJTW-A ou SJTOW-A.

Assurez-vous que votre rallonge est en bon état. Si vous utilisez une rallonge, son calibre doit être suffisant pour supporter le courant requis par votre produit. Une rallonge de calibre insuffisant provoquera une chute de tension secteur pouvant entraîner une perte de puissance et une surchauffe. Le tableau suivant indique le calibre correct en fonction de la longueur de la rallonge. En cas de doute, utilisez une rallonge du calibre supérieur. Plus le numéro est petit, plus le calibre est élevé.

Longueur de la rallonge	Calibre de fil minimum (AWG)
7,6 m (25 pi)	16
15 m (50 pi)	16
30,5 m (100 pi)	16
45,7 m (150 pi)	14

Remarque: N'utilisez pas de rallonge de plus de 45,7 m (150 pi).

Afin de réduire le risque de débranchement de la rallonge pendant l'utilisation, branchez-la à la débroussailleuse comme montré à la [Connexion à l'alimentation \(page 6\)](#).

CONSERVEZ CES INSTRUCTIONS

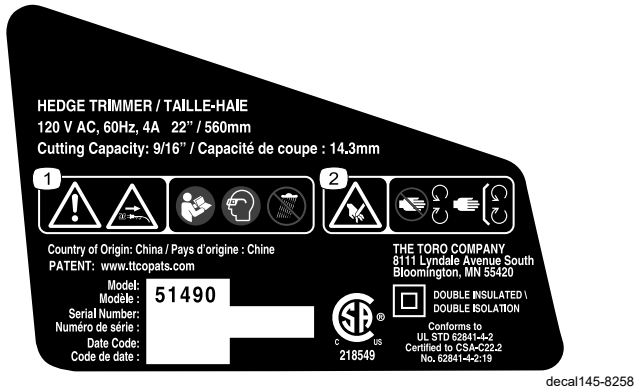
Spécifications électriques : 120 V ~ 60 Hz 4A

Autocollants de sécurité et d'instruction



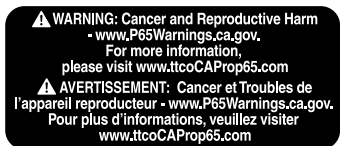
Des autocollants de sécurité et des instructions bien visibles par l'opérateur sont placés près de tous les endroits potentiellement dangereux. Remplacez tout autocollant endommagé ou manquant.

Symbole	Nom	Désignation/Explication
CA	Courant alternatif	Type de courant
A	Ampères	Courant
Hz	Hertz	Fréquence (cycles par seconde)
CPM	Courses par minute	Vitesse de la lame
V	Volts	Tension



145-8258

1. Attention ; débranchez la prise de la douille si le câble est endommagé – lisez le *Manuel de l'utilisateur*; portez une protection oculaire; n'utilisez pas par temps humide.
2. Risque de coupure/sectionnement des doigts ou mains – gardez toutes les protections et tous les capots en place.



138-6699

Utilisation

Préparation de l'appareil

Pour garantir la sécurité et l'utilisation efficace du taille-haie, utilisez uniquement une rallonge électrique homologuée UL prévue pour l'utilisation à l'extérieur. Reportez-vous au Tableau des rallonges ci-après.

Calibre minimum des rallonges électriques (AWG—120 V uniquement)

Longueur de la rallonge	Calibre de fil minimum (A.W.G.)
7,6 m (25 pi)	16
15 m (50 pi)	16
30,5 m (100 pi)	16
45,7 m (150 pi)	14

Remarque: N'utilisez pas de rallonge de plus de 45,7 m (150 pi).

Important: Au cours de l'utilisation, vérifiez souvent que la gaine du cordon d'alimentation n'est pas perforée. N'utilisez pas le cordon d'alimentation s'il est endommagé. Ne faites pas passer le cordon dans des flaques d'eau ou de l'herbe détrempée. Débranchez immédiatement le cordon d'alimentation du secteur s'il est endommagé ou entaillé.

Connexion à l'alimentation

Ce produit comprend un dispositif de maintien du cordon d'alimentation qui empêche le débranchement accidentel de la rallonge en cours d'utilisation.

1. Faites une boucle au bout de la rallonge.
2. Insérez cette boucle dans l'ouverture au bas de la poignée arrière et accrochez-la au dispositif de maintien.
3. Tirez lentement la boucle sur le dispositif de maintien jusqu'à ce que le mou soit éliminé.
4. Reliez l'appareil à la rallonge électrique (Figure 1).

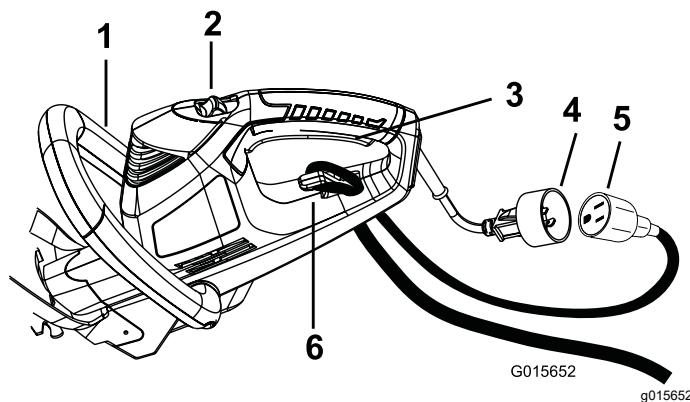


Figure 1

1. Poignée auxiliaire
2. Commutateur de verrouillage
3. Gâchette et poignée arrière
4. Prise à 2 broches
5. Rallonge
6. Dispositif de maintien du cordon

Démarrage du taille-haie

1. Enlevez le couvercle de protection qui recouvre les lames (Figure 2).

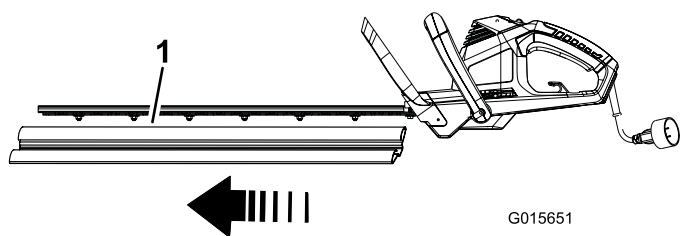


Figure 2

1. Couvercle de protection
2. Fixez le cordon d'alimentation au taille-haie (Figure 1).
3. Placez une main sur la poignée d'actionnement. Placez l'autre main sur la poignée auxiliaire.
4. Poussez le commutateur de verrouillage en arrière, vers vous, et serrez la poignée d'actionnement pour mettre le taille-haie en marche (Figure 1). Le taille-haie fonctionne tant que vous serrez la poignée d'actionnement. Vous pouvez relâcher le commutateur de verrouillage lorsque le taille-haie a démarré.

Arrêt du taille-haie

1. Relâchez la gâchette (Figure 1).
2. Patientez au moins 5 secondes jusqu'à l'arrêt complet de la lame.
3. Placez le couvercle de protection sur la lame et débranchez le taille-haie de la rallonge lorsque vous avez fini de travailler.

Conseils d'utilisation

- Vérifiez si des objets sont dissimulés dans la haie et la zone de taille et retirez-les avant d'utiliser l'appareil.
- L'appareil permet de couper dans un sens ou dans l'autre en exécutant un mouvement de va-et-vient transversal.
- Tenez-vous bien en appui sur les deux pieds de manière à ne pas perdre l'équilibre. Ne vous penchez pas trop en avant lorsque vous travaillez.
- N'utilisez jamais le taille-haie près de lignes électriques, clôtures, poteaux, bâtiments ou autres objets ne pouvant être déplacés.
- Si la lame heurte un objet dur, vérifiez toujours son état avant de vous en servir à nouveau. Ne l'utilisez pas si elle est endommagée.
- Ne touchez jamais les lames et ne faites jamais l'entretien de l'appareil s'il est encore relié à l'alimentation.
- Pendant l'utilisation, la rallonge électrique doit toujours rester derrière le taille-haie. Ne la posez jamais sur la haie que vous êtes en train de tailler.
- Lorsque vous utilisez un disjoncteur GFCI, assurez-vous que le courant de déclenchement est 30 mA ou moins.
- Ne forcez pas le taille-haie dans des buissons épais. Les lames pourraient se coincer et peiner. Si les lames peinent, ralentissez le rythme de coupe.
- N'essayez pas de couper des branchages de plus de 14 mm (9/16 po) de diamètre ou qui sont manifestement trop gros pour être coupés par la lame du taille-haie. Utilisez une scie à main non électrique ou une scie à élaguer pour couper les plus gros branchages.
- Si les lames se coincent, arrêtez le moteur, attendez que les lames s'arrêtent et débranchez le taille-haie avant d'essayer de remédier à l'obstruction.
- Vous pouvez utiliser un cordeau pour vous aider à tailler la haie bien droite. Décidez à quelle hauteur vous souhaitez couper la haie. Tendez un cordeau le long de la haie à la hauteur voulue. Taillez la haie juste au-dessus du cordeau. Taillez les côtés de la haie de sorte que le haut soit légèrement moins large que le bas. Une plus grande partie de la haie sera ainsi exposée et l'aspect sera plus uniforme.
- Portez des gants pour tailler les buissons épineux ou piquants. Lorsque vous taillez de nouvelles pousses, utilisez un mouvement transversal plus ample pour qu'elles passent directement dans la lame. Les pousses plus anciennes sont plus épaisses et sont plus faciles à tailler en utilisant la lame comme une scie.

Entretien

Graissage de la lame du taille-haie

1. Arrêtez le moteur et débranchez l'appareil.
2. Débarrassez le corps du taille-haie des saletés et débris éventuellement présents avec un chiffon humide et un détergent doux.

Remarque: N'utilisez pas de détergents trop puissants sur le corps en plastique ou la poignée. Ils pourraient être endommagés par certaines huiles aromatiques, telles le pin et le citron, et par des solvants comme le kérosène.

3. Posez le taille-haie sur une surface plane. Appliquez de l'huile pour machine légère sur le bord de la lame supérieure. Si vous prévoyez d'utiliser le taille-haie pendant une période prolongée, il est conseillé d'huiler la lame en cours d'utilisation.

Remarque: N'huilez jamais le taille-haie pendant qu'il est en marche.

Entretien

Lorsqu'un entretien est requis, confiez l'appareil à un réparateur Toro agréé. Celui-ci possède les compétences nécessaires pour réparer les produits Toro et il saura maintenir l'intégrité de votre appareil Toro.

Appareil Classe II

Un appareil de Classe II est un appareil dont la protection contre les chocs électriques ne repose pas uniquement sur l'isolation de base, mais qui bénéficie de mesures de sécurité supplémentaires, telle une double isolation ou une isolation renforcée, sachant qu'il n'y a pas de protection par mise à la terre et que les conditions d'installation n'apportent pas de garantie. Les appareils de Classe II portent ce symbole (□).

Aucun dispositif de mise à la masse n'est prévu sur un appareil de classe II et aucun ne doit lui être ajouté.

L'entretien d'un appareil de classe II est délicat et exige de bien connaître le système. Pour cette raison, son entretien ne doit être réalisé que par le personnel qualifié de votre dépositaire-réparateur agréé.

Les pièces de rechange d'un appareil de classe II doivent être identiques aux pièces d'origine.

Remisage

- Débarrassez l'appareil de tout corps étranger.
- Rangez-le dans un endroit bien aéré et hors de portée des enfants.
- Gardez-le éloigné des agents corrosifs comme les produits chimiques de jardin et les sels de dégivrage.

Remarques:

Remarques:

Proposition 65 de Californie – Information concernant cet avertissement

En quoi consiste cet avertissement?

Certains produits commercialisés présentent une étiquette d'avertissement semblable à ce qui suit :



AVERTISSEMENT : Cancer et troubles de la reproduction –
www.p65Warnings.ca.gov.

Qu'est-ce que la Proposition 65?

La Proposition 65 s'applique à toute société exerçant son activité en Californie, qui vend des produits en Californie ou qui fabrique des produits susceptibles d'être vendus ou importés en Californie. Elle stipule que le Gouverneur de Californie doit tenir et publier une liste des substances chimiques connues comme causant des cancers, malformations congénitales et/ou autres troubles de la reproduction. Cette liste, qui est mise à jour chaque année, comprend des centaines de substances chimiques présentes dans de nombreux objets du quotidien. La Proposition 65 a pour objet d'informer le public quant à l'exposition à ces substances chimiques.

La Proposition 65 n'interdit pas la vente de produits contenant ces substances chimiques, mais impose la présence d'avertissements sur tout produit concerné, sur son emballage ou sur la documentation fournie avec le produit. D'autre part, un avertissement de la Proposition 65 ne signifie pas qu'un produit est en infraction avec les normes ou exigences de sécurité du produit. D'ailleurs, le gouvernement californien a clairement indiqué qu'un avertissement de la Proposition 65 « n'est pas une décision réglementaire quant au caractère « sûr » ou « dangereux » d'un produit ». Bon nombre de ces substances chimiques sont utilisées dans des produits du quotidien depuis des années, sans aucun effet nocif documenté. Pour plus de renseignements, rendez-vous sur <https://oag.ca.gov/prop65/faqs-view-all>.

Un avertissement de la Proposition 65 signifie qu'une société a soit (1) évalué l'exposition et conclu qu'elle dépassait le « niveau ne posant aucun risque significatif »; soit (2) choisi d'émettre un avertissement simplement sur la base de sa compréhension quant à la présence d'une substance chimique de la liste, sans tenter d'en évaluer l'exposition.

Cette loi s'applique-t-elle partout?

Les avertissements de la Proposition 65 sont exigés uniquement en vertu de la loi californienne. Ces avertissements sont présents dans tout l'état de Californie, dans des environnements très variés, notamment mais pas uniquement les restaurants, magasins d'alimentation, hôtels, écoles et hôpitaux, et sur un vaste éventail de produits. En outre, certains détaillants en ligne et par correspondance fournissent des avertissements de la Proposition 65 sur leurs sites internet ou dans leurs catalogues.

Quelles différences entre les avertissements de Californie et les limites fédérales?

Les normes de la Proposition 65 sont souvent plus strictes que les normes fédérales et internationales. Diverses substances exigent un avertissement de la Proposition 65 à des niveaux bien inférieurs aux limites d'intervention fédérales. Par exemple, la norme de la Proposition 65 en matière d'avertissements pour le plomb se situe à 0,5 µg/jour, soit bien moins que les normes fédérales et internationales.

Pourquoi l'avertissement ne figure-t-il pas sur tous les produits semblables?

- Pour les produits commercialisés en Californie, l'étiquetage Proposition 65 est exigé, tandis qu'il ne l'est pas sur des produits similaires commercialisés ailleurs.
- Il se peut qu'une société impliquée dans un procès lié à la Proposition 65 et parvenant à un accord soit obligée d'utiliser les avertissements de la Proposition 65 pour ses produits, tandis que d'autres sociétés fabriquant des produits semblables peuvent ne pas être soumises à cette obligation.
- L'application de la Proposition 65 n'est pas uniforme.
- Certaines sociétés peuvent choisir de ne pas indiquer d'avertissements car elles considèrent qu'elles n'y sont pas obligées au titre de la Proposition 65; l'absence d'avertissements sur un produit ne signifie pas que le produit ne contient pas de substances de la liste à des niveaux semblables.

Pourquoi le fabricant inclut-il cet avertissement?

Le fabricant a choisi de fournir aux consommateurs le plus d'information possible afin qu'ils puissent prendre des décisions éclairées quant aux produits qu'ils achètent et utilisent. Le fabricant fournit des avertissements dans certains cas d'après ses connaissances quant à la présence de l'une ou plusieurs des substances chimiques de la liste, sans en évaluer le niveau d'exposition, car des exigences de limites ne sont pas fournies pour tous les produits chimiques de la liste. Bien que l'exposition associée aux produits du fabricant puisse être négligeable ou parfaitement dans les limites « sans aucun risque significatif », par mesure de précaution, le fabricant a décidé de fournir les avertissements de la Proposition 65. De plus, en l'absence de ces avertissements, le fabricant pourrait faire l'objet de poursuites par l'État de Californie ou par des particuliers cherchant à faire appliquer la Proposition 65, et donc assujettie à d'importantes pénalités.



Count on it.