



Count on it.

Parts Catalog

**Groundsmaster® 3310
All-Wheel Drive Traction Unit**

Model No. 31903—Serial No. 411800000 and Up



Ordering Replacement Parts

To order replacement parts, please supply the part number, the quantity, and the description of each part desired.

Understanding Reference Numbers

Each identified part in an illustration has a reference number. The reference number for a part also appears in the parts list, along with other information about the part.

This catalog uses two special reference number formats, one to indicate parts in a service assembly and another to indicate the quantity of a given part in an illustration.

Service Assembly Reference Numbers

Parts in service assemblies have reference numbers in the form a:b. The a represents the reference number of the entire service assembly and the b represents a sequential number unique to each part within the service assembly.

For example, a wheel assembly might be identified by reference number 6, the tire by 6:1, the valve by 6:2, and the wheel by 6:3. When you order the assembly identified by reference number 6, you receive all parts identified by reference numbers 6:1, 6:2, and 6:3. However, you may also order any part individually. Reference numbers of this type appear in illustration and in parts lists.

Reference Numbers Indicating Quantity

In an illustration, if a reference number indicates more than one part, the reference number has the form nX y. The n represents the quantity of the part, the X is the multiplication symbol, and the y represents the reference number.

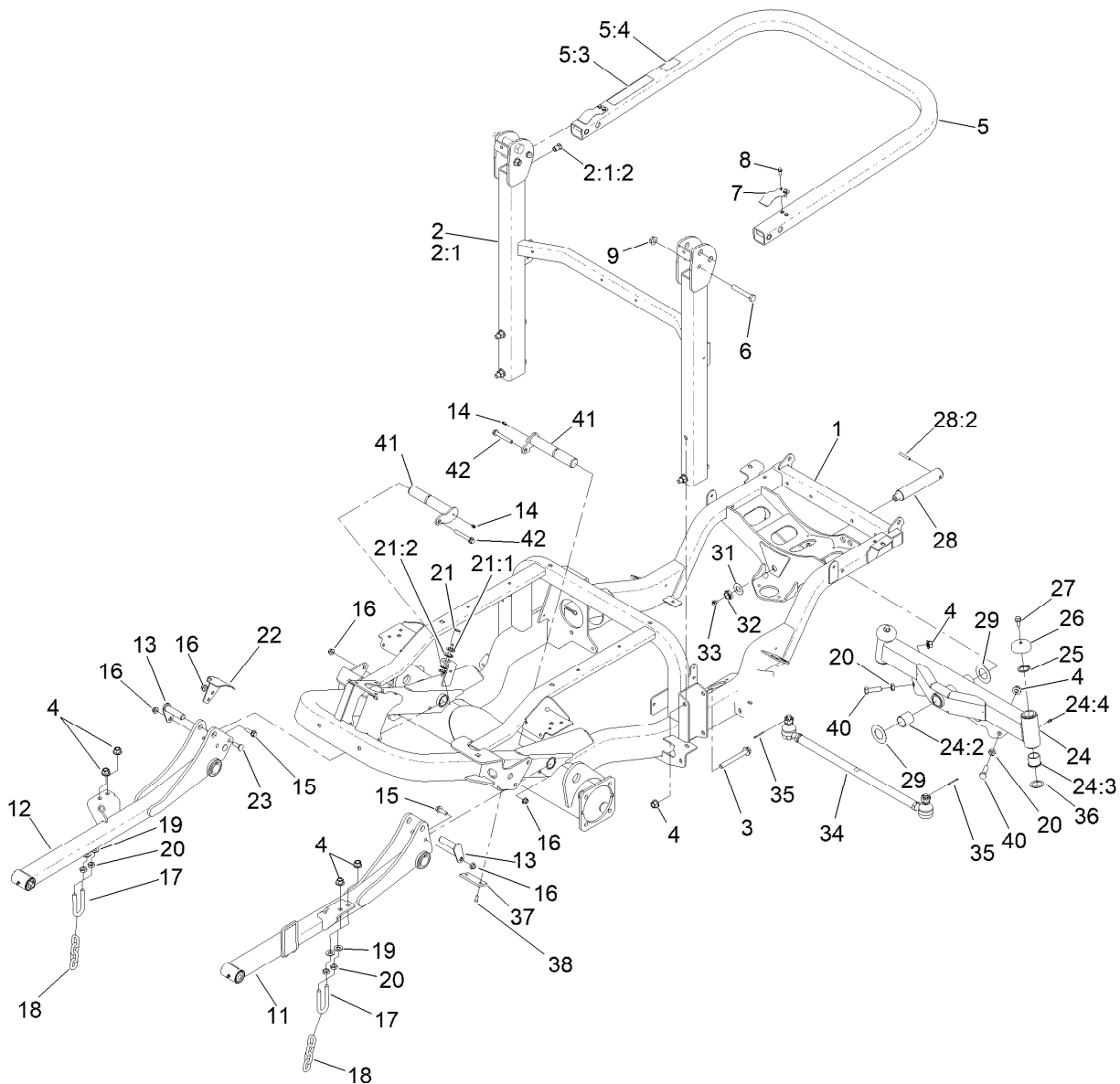
For example, in an illustration, the reference number 2X 37 means that two of the parts identified by reference number 37 are indicated.

Contents

| | |
|--|----|
| Frame and Roll-Over Protection System Assembly | 5 |
| LH Lift Arm Assembly No. 138-7419SP | 7 |
| RH Lift Arm Assembly No. 138-7429SP | 8 |
| Tie Rod Assembly No. 133-6462 | 9 |
| Front Axle and Parking Brake Assembly | 10 |
| Left Hand Brake Assembly No. 120-0235 | 12 |
| Right Hand Brake Assembly No. 120-0233 | 13 |
| Hydraulic Drive Assembly | 14 |
| Hydraulic Motor Assembly No. 138-0304 | 15 |
| Hydraulic Motor Assembly No. 138-0303 | 16 |
| Hydraulic Motor Assembly No. 137-2458 | 17 |
| Hydraulic Motor Assembly No. 137-2478 | 18 |
| Steer/Lift Manifold Assembly No. 138-4489 | 19 |
| Engine, Radiator Hoses and Shroud Assembly | 21 |
| Air Cleaner and Exhaust Assembly | 23 |
| Air Cleaner Assembly No. 136-4481 | 24 |
| Radiator and Cooler Assembly | 25 |
| Fuel and Hydraulic Tank Assembly | 26 |
| Fuel Tank Assembly No. 138-0291 | 27 |
| Hydraulic Tank Assembly No. 138-4418 | 28 |
| Platform, Steering and Console Assembly | 29 |
| Steering Column Assembly No. 139-0857 | 30 |
| Traction Pedal Assembly | 31 |
| Control Console Assembly | 32 |
| Hood Assembly | 33 |
| Hydraulic PTO Assembly | 34 |
| Variable Piston Pump Assembly No. 138-0305 | 35 |
| Driveshaft Assembly No. 144-0521SP | 37 |
| Hydraulic Assembly | 38 |
| Gear Pump Assembly No. 138-0321 | 41 |
| Steering Valve Assembly No. 114-8119 | 42 |
| Traction Hydraulic Assembly | 44 |
| Seat, Firewall and Step Mount Assembly | 45 |
| Air Ride Suspension Seat Assembly No. 138-4535 | 46 |
| Electrical Assembly | 48 |
| Compressor and Belt Assembly | 50 |
| Bumper and Weight Assembly | 52 |
| Interior Foam Assembly | 54 |
| Floor Sound Reduction Assembly | 55 |
| Frame, Mount and Seals Assembly | 56 |
| Interior Foam and Carpet Assembly | 58 |
| Cab Mirrors Assembly | 60 |
| Decal Assembly | 62 |
| Door Assembly | 64 |
| LH Door Assembly No. 140-6554 | 66 |
| RH Door Assembly No. 140-6555 | 68 |
| Front and Rear Glass Assembly | 70 |
| Window Wiper System Assembly | 72 |
| Window Wiper Assembly | 74 |
| Window Wiper Hose Assembly | 76 |
| Heater Assembly | 78 |
| Heater Control Panel Assembly | 80 |
| Roof, Air Filter and Condenser Assembly | 82 |
| Heat Hose Assembly | 84 |

Contents (continued)

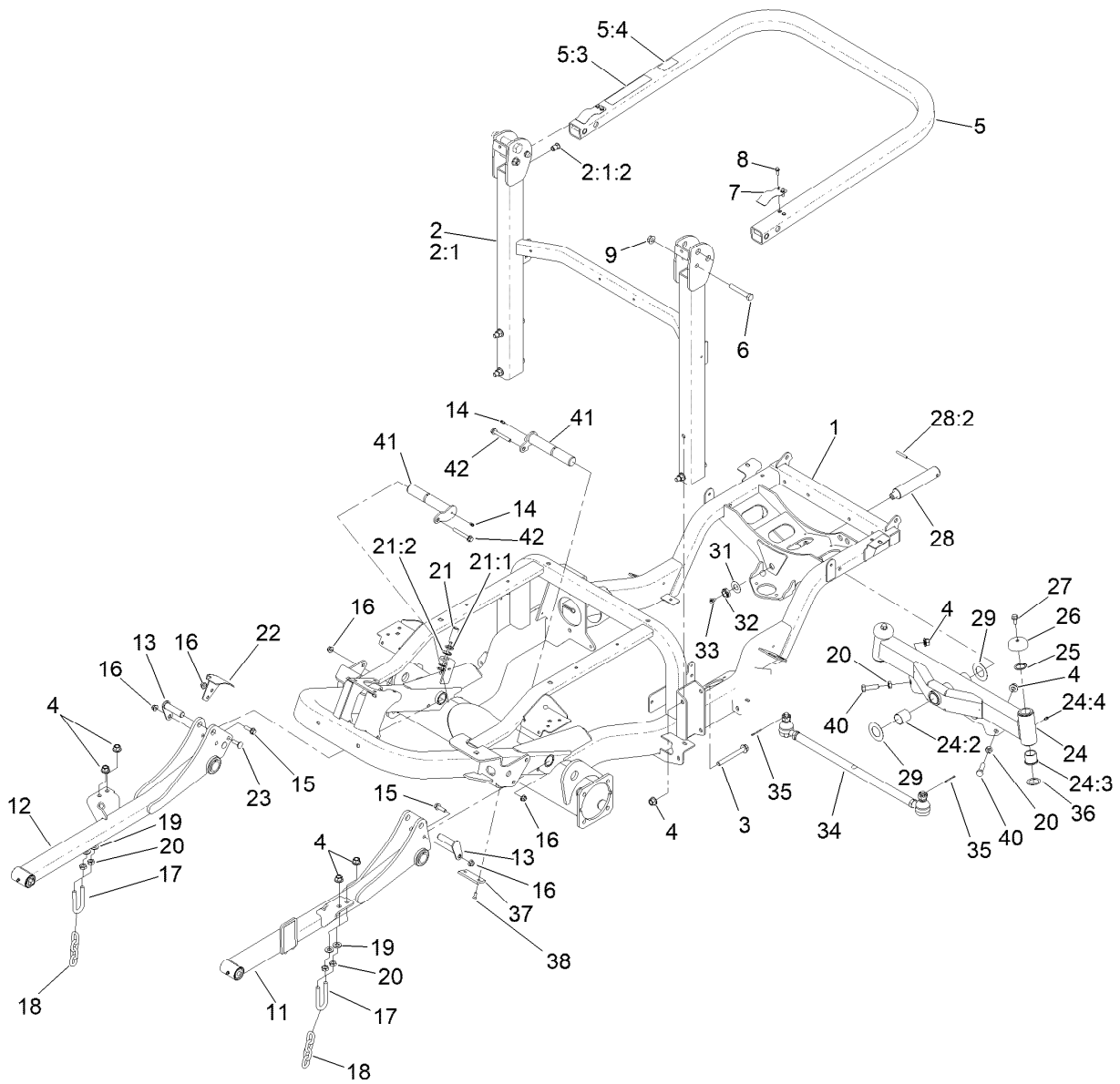
| | |
|--|-----|
| Electrical Component Assembly | 86 |
| Cab Sound Reduction Assembly | 88 |
| Cylinder Block Assembly | 90 |
| Gear Housing Assembly | 92 |
| Flywheel Housing and Oil Sump Assembly | 94 |
| Cylinder Head and Cover Assembly | 96 |
| Suction Manifold Assembly | 98 |
| Exhaust Manifold Assembly | 100 |
| Diesel Particulate Filter Assembly | 102 |
| Camshaft and Driving Gear Assembly | 104 |
| Crankshaft and Piston Assembly | 106 |
| Lubrication and Oil System Assembly | 108 |
| Cooling Water System Assembly | 110 |
| Fuel Supply Pump Assembly | 112 |
| Fuel Injection Valve Assembly | 114 |
| Fuel Filter Assembly | 116 |
| Starting Motor Assembly | 118 |
| Generator Assembly | 120 |
| Electronic Control Unit Assembly | 122 |
| Electric Parts Assembly | 124 |
| Accessory Assembly | 126 |
| Gasket Set | 128 |
| Attachments and Accessories | 130 |



Frame and Roll-Over Protection System Assembly

| Ref. | Part Number | Qty. | Description | Ref. | Part Number | Qty. | Description |
|-------|-------------|------|-----------------------|------|-------------|------|-------------------------------|
| 1 | 133-6450SP | 1 | Frame ASM | 16 | 104-8301 | 6 | Nut-HF, NI |
| 2 | 139-6254SP | 1 | ROPS ASM, Lower | 17 | 104-0108 | 2 | U-Bolt |
| 2:1 | | 1 | ROPS ASM, Lower ● | 18 | 95-6231 | 2 | Chain-HOC |
| 2:1:2 | 138-2760 | 4 | Nut-Clinch, Hex | 19 | 3256-26 | 4 | Washer-Flat |
| 3 | 117-3176 | 4 | Screw-HHF | 20 | 3218-5 | 6 | Nut-Jam |
| 4 | 99-5107 | 10 | Nut-Lock | 21 | 115-5300 | 1 | Proximity Switch ASM |
| 5 | 138-7470 | 1 | ROPS ASM, Upper | 21:1 | 117-3207 | 2 | Nut-Hex |
| 5:3 | 108-2073 | 1 | Decal-Warning | 21:2 | 117-3208 | 2 | Washer-Lock, Internal Tooth |
| 5:4 | 139-6244 | 1 | Decal-ROPS Compliance | 22 | 139-6170-0P | 1 | Bracket-Sensor Mount [primed] |
| 6 | 325-13 | 2 | Screw-HH | 23 | 3231-2 | 2 | Bolt-CARR |
| 7 | 110-5696 | 2 | Spring-Leaf | 24 | 138-4588 | 1 | Axle ASM |
| 8 | 32105-15 | 4 | Screw-HWH | 24:2 | 99-6964 | 2 | Bushing-Axle |
| 9 | 32128-23 | 2 | Nut-HF | 24:3 | 104-0015 | 4 | Bushing-Flange |
| 11 | 138-7419SP | 1 | LH Lift Arm ASM | 24:4 | 302-5 | 2 | Fitting-Grease |
| 12 | 138-7429SP | 1 | RH Lift Arm ASM | 25 | 32151-77 | 2 | Ring-Retaining, External |
| 13 | 138-7489 | 2 | Pin (Machined) | 26 | 69-8890 | 2 | Cap-Spindle |
| 14 | 302-5 | 2 | Fitting-Grease | 27 | 3234-1 | 2 | Screw-HHF |
| 15 | 119-4061 | 2 | Screw-HHF | | | | |

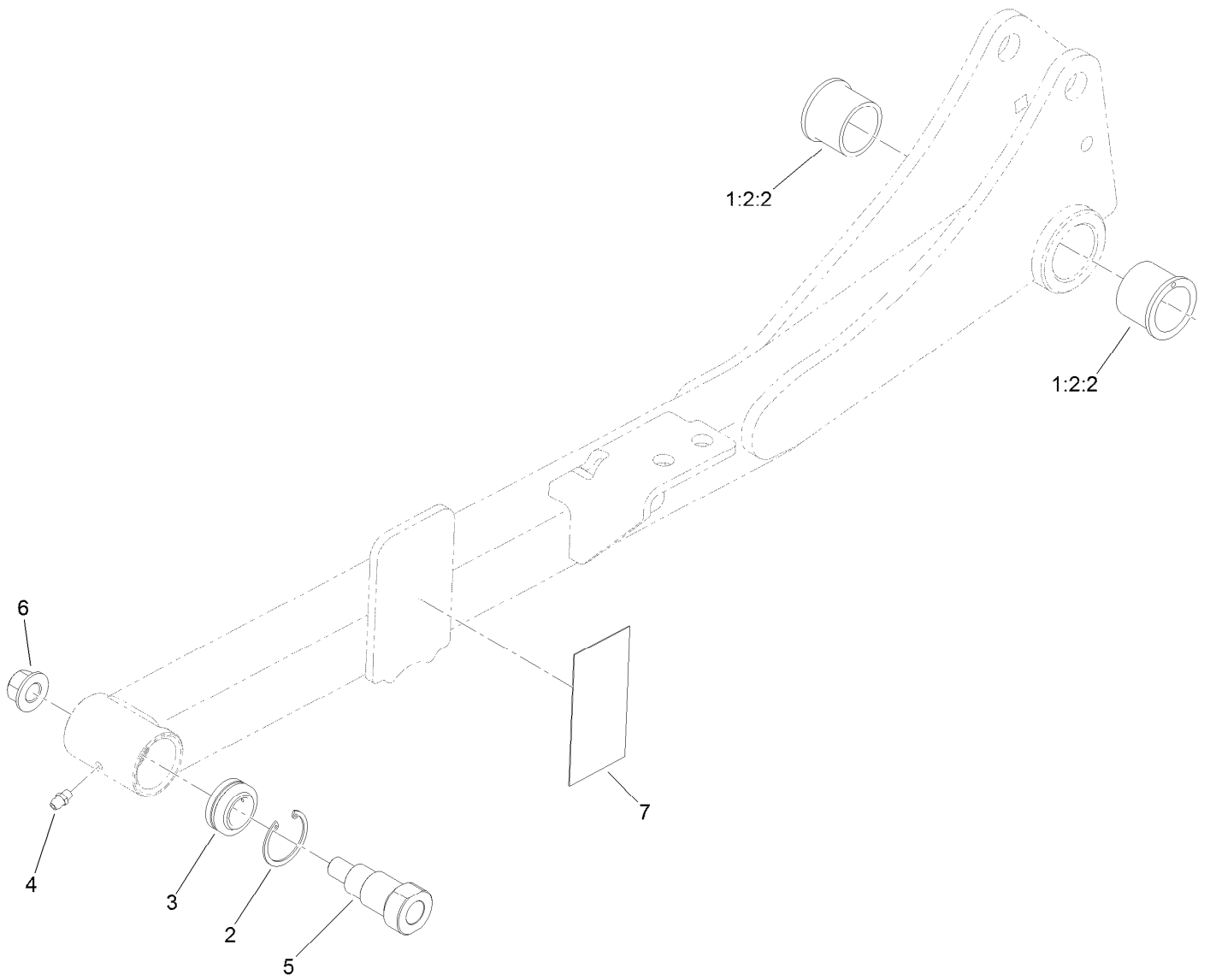
● Not serviced separately



Frame and Roll-Over Protection System Assembly (continued)

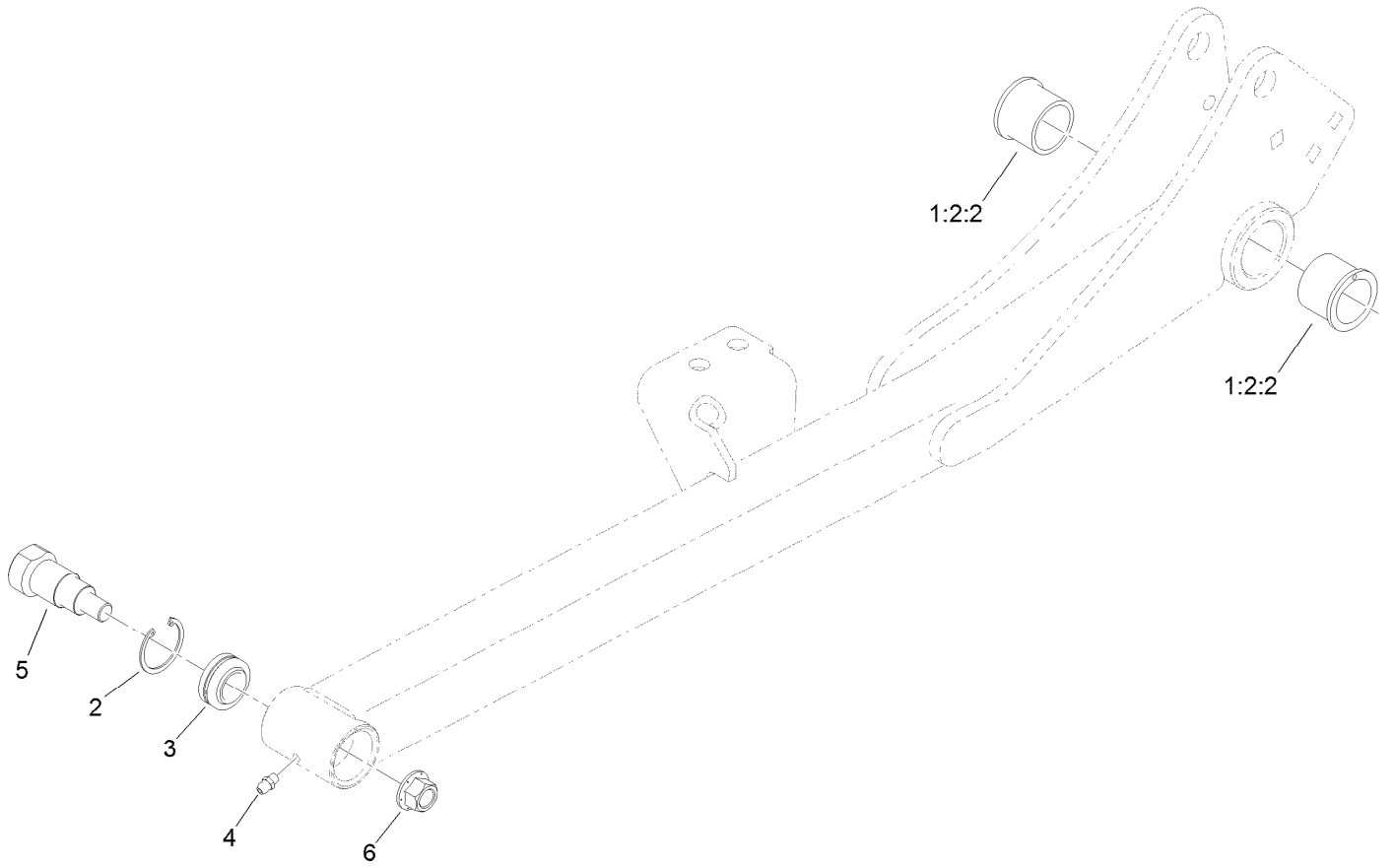
| <i>Ref.</i> | <i>Part Number</i> | <i>Qty.</i> | <i>Description</i> | <i>Ref.</i> | <i>Part Number</i> | <i>Qty.</i> | <i>Description</i> |
|-------------|--------------------|-------------|--------------------|-------------|--------------------|-------------|--------------------|
| 28 | 140-6101 | 1 | Pin ASM-Axle Pivot | 35 | 3272-12 | 2 | Pin-Cotter |
| 28:2 | 32121-32 | 1 | Pin-Roll | 36 | 76-2980 | 2 | Washer-Thrust |
| 29 | 99-8432 | 2 | Washer-Thrust | 37 | 138-4452 | 2 | Pad-Stop, Deck |
| 31 | 71-4540 | 1 | Washer-Thrust | 38 | 3289-4 | 4 | Screw-FH |
| 32 | 3296-15 | 1 | Nut-Lock, NI | 40 | 325-7 | 2 | Screw-HH |
| 33 | 302-33 | 1 | Fitting-Grease | 41 | 138-4593 | 2 | Pin |
| 34 | 133-6462 | 1 | Tie Rod ASM | 42 | 133-9682 | 2 | Screw-Hfh |

● Not serviced separately



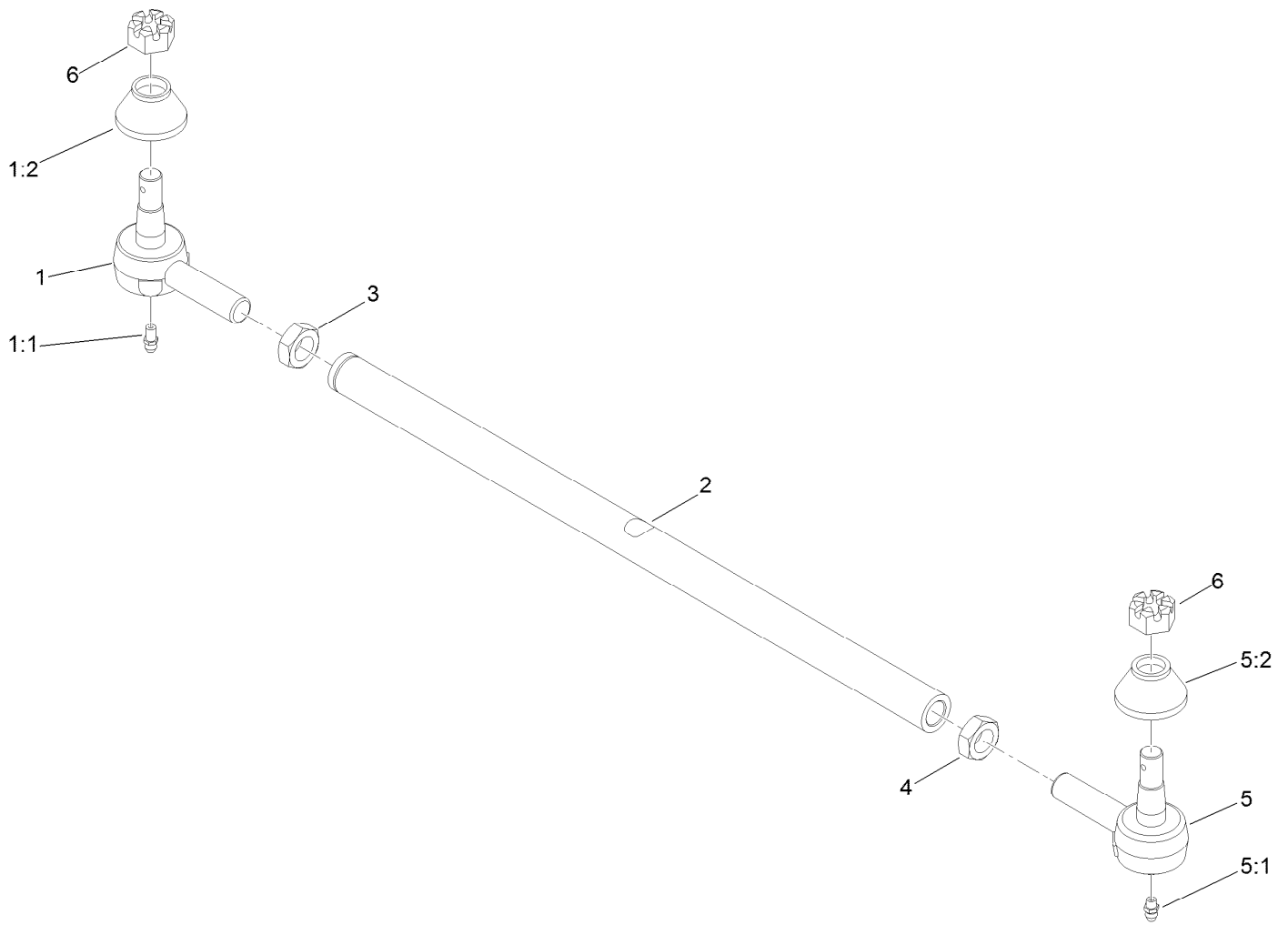
LH Lift Arm Assembly No. 138-7419SP

| <i>Ref.</i> | <i>Part Number</i> | <i>Qty.</i> | <i>Description</i> |
|-------------|--------------------|-------------|--------------------|
| 1:2:2 | 104-0015 | 2 | Bushing-Flange |
| 2 | 32151-34 | 1 | Ring-Retaining |
| 3 | 105-7441 | 1 | Bearing-Spherical |
| 4 | 302-5 | 1 | Fitting-Grease |
| 5 | 139-0910 | 1 | Bolt-Shoulder |
| 6 | 99-5107 | 1 | Nut-Lock |
| 7 | 139-0948 | 1 | Pad-Ride, Pin |



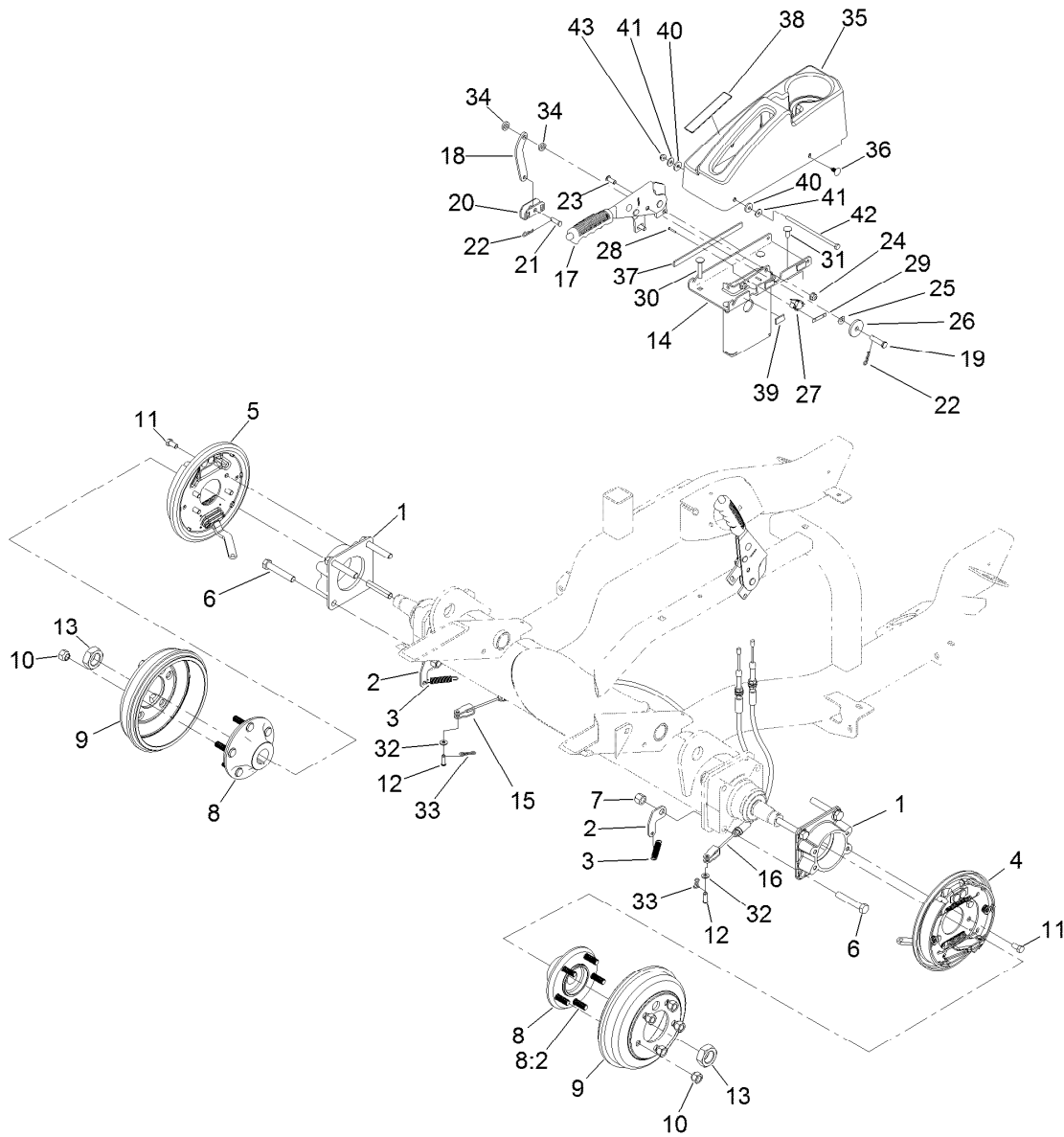
RH Lift Arm Assembly No. 138-7429SP

| <i>Ref.</i> | <i>Part Number</i> | <i>Qty.</i> | <i>Description</i> |
|-------------|--------------------|-------------|--------------------|
| 1:2:2 | 104-0015 | 2 | Bushing-Flange |
| 2 | 32151-34 | 1 | Ring-Retaining |
| 3 | 105-7441 | 1 | Bearing-Spherical |
| 4 | 302-5 | 1 | Fitting-Grease |
| 5 | 139-0910 | 1 | Bolt-Shoulder |
| 6 | 99-5107 | 1 | Nut-Lock |



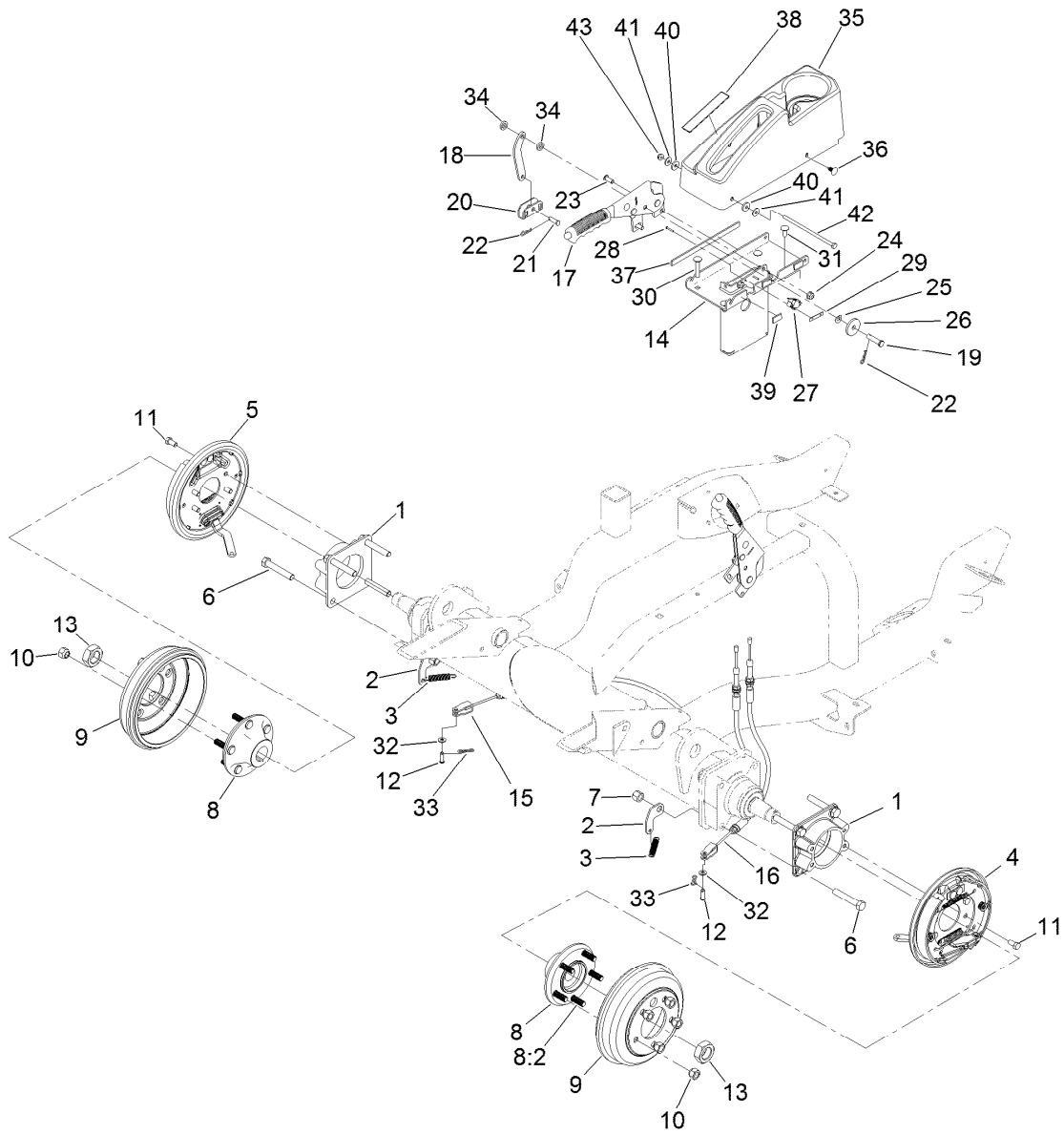
Tie Rod Assembly No. 133-6462

| <i>Ref.</i> | <i>Part Number</i> | <i>Qty.</i> | <i>Description</i> |
|-------------|--------------------|-------------|--------------------|
| 1 | 139-6199 | 1 | Tie Rod End |
| 1:1 | 302-5 | 1 | Fitting-Grease |
| 1:2 | 105-7835 | 1 | Seal |
| 2 | 133-6463 | 1 | Tie-Rod |
| 3 | 84-5300 | 1 | Nut-Jam |
| 4 | 110-5337 | 1 | Nut-Jam |
| 5 | 139-6200 | 1 | Tie Rod End |
| 5:1 | 302-5 | 1 | Fitting-Grease |
| 5:2 | 105-7835 | 1 | Seal |
| 6 | 140-6135 | 2 | Nut-Hex, Slotted |



Front Axle and Parking Brake Assembly

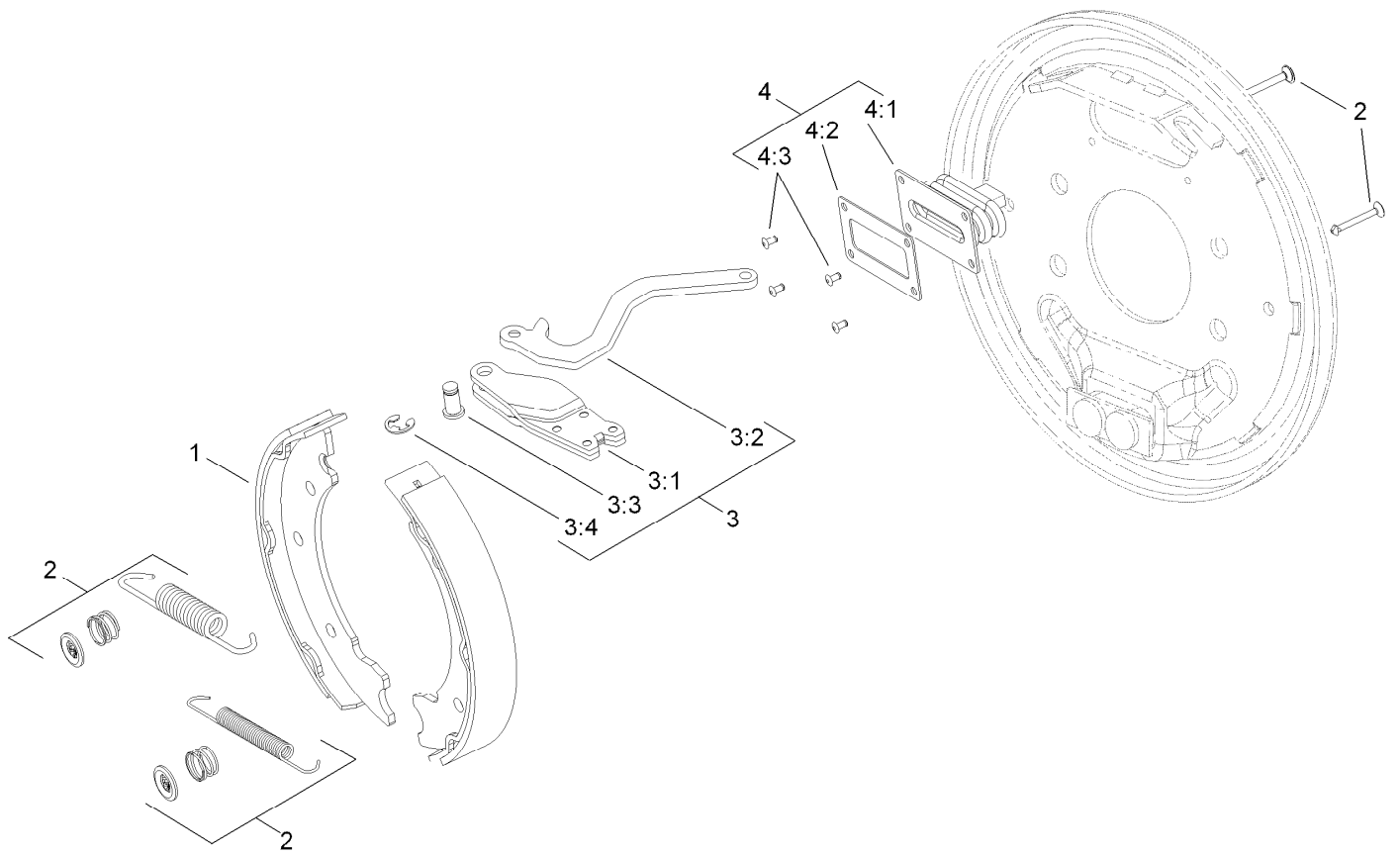
| Ref. | Part Number | Qty. | Description | Ref. | Part Number | Qty. | Description |
|------|-------------|------|----------------------------|------|-------------|------|--------------------------|
| 1 | 120-6253-03 | 2 | Adapter-Brake | 20 | 87-3480 | 1 | Bracket-Equalizer, Cable |
| 2 | 138-4499 | 2 | Clip-Spring | 21 | 1-808280 | 1 | Pin-Clevis |
| 3 | 137-2591 | 2 | Spring-Extension | 22 | 1-806003 | 2 | Pin-Cotter |
| 4 | 120-0235 | 1 | LH Brake ASM | 23 | 3274-55 | 2 | Screw-HSBH |
| 5 | 120-0233 | 1 | RH Brake ASM | 24 | 104-8300 | 6 | Nut-HF, NI |
| 6 | 325-12 | 8 | Screw-HH | 25 | 121-4605 | 1 | Washer-Spring |
| 7 | 3296-23 | 8 | Nut-Lock, NI | 26 | 131-8496 | 1 | Washer-Plain |
| 8 | 137-2470 | 2 | Hub ASM | 27 | 108-6496 | 1 | Switch (W/Boot) |
| 8:2 | 114-3918 | 5 | Stud-Wheel | 28 | 95-3003 | 2 | Screw-PPHTF |
| 9 | 114-8864 | 2 | Drum-Brake | 29 | 3290-354 | 1 | Nut-Speed |
| 10 | 242-50 | 10 | Nut-Lug | 30 | 116-0629 | 2 | Screw-CARR |
| 11 | 323-4 | 8 | Screw-HH | 31 | 3230-23 | 2 | Bolt-CARR |
| 12 | 283-58 | 2 | Pin-Clevis | 32 | 3256-74 | 2 | Washer-Flat |
| 13 | 107-9319 | 2 | Nut-Hex | 33 | 119-1415 | 2 | Pin-Cotter, Locking |
| 14 | 144-0517-0P | 1 | Parking Brake Mount | 34 | 3-3287 | 2 | Spacer |
| | | | [primed] | 35 | 138-7475 | 1 | Cover-Brake, Parking |
| 15 | 137-2640 | 1 | Cable-Brake, Adjustable RH | 36 | 117-2382 | 2 | Plug-Plastic |
| 16 | 137-2641 | 1 | Cable-Brake, Adjustable LH | 37 | 132-7282 | 1 | Strip-Foam |
| 17 | 131-8320 | 1 | Lever-Brake, Park | 38 | 139-6224 | 1 | Decal-Brake, Parking |
| 18 | 144-0516 | 1 | Link-Park, Brake | 39 | 115-5417 | 3 | Strip-Foam |
| 19 | 283-10 | 1 | Pin-Clevis | 40 | 144-0499 | 2 | Washer-Epdm |



Front Axle and Parking Brake Assembly (continued)

| Ref. | Part Number | Qty. | Description |
|------|-------------|------|-------------|
| 41 | 3256-78 | 2 | Washer-Flat |

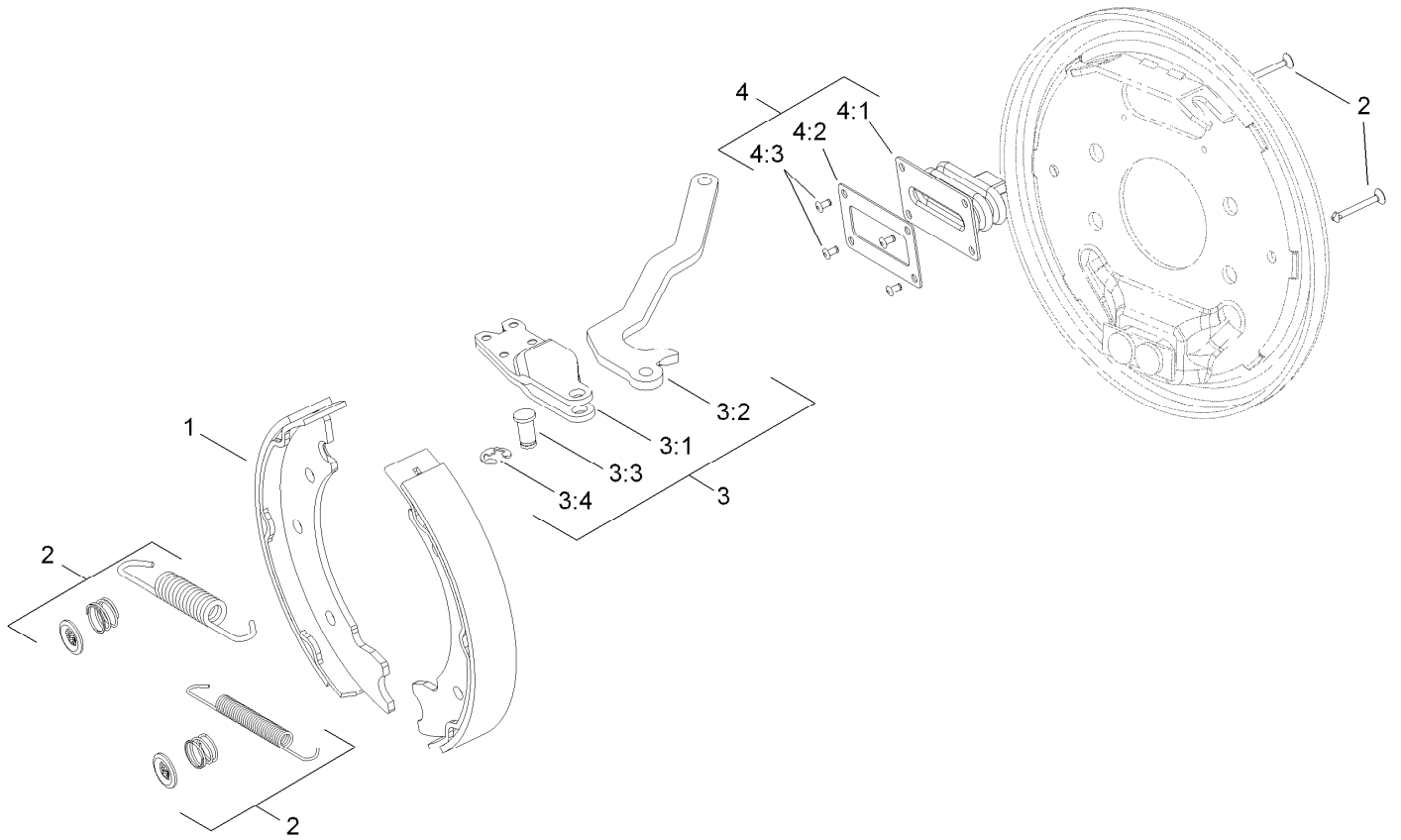
| Ref. | Part Number | Qty. | Description |
|------|-------------|------|-------------|
| 42 | 321-21 | 1 | Screw-HH |
| 43 | 104-7201 | 1 | Nut-HF, NI |



Left Hand Brake Assembly No. 120-0235

| Ref. | Part Number | Qty. | Description |
|------|-------------|------|--------------------|
| 1 | 139-5950 | 1 | Brake Shoe Kit |
| 2 | 108-6983 | 1 | Brake Hardware Kit |
| 3 | 120-0236 | 1 | LH Actuator Kit |
| 3:1 | | 1 | Housing ● |
| 3:2 | | 1 | Lever-LH ● |
| 3:3 | | 1 | Pin-Pivot ● |
| 3:4 | | 1 | E-Ring ● |
| 4 | 110-8885 | 1 | Dust Boot Kit |
| 4:1 | | 1 | Boot ● |
| 4:2 | | 1 | Plate-Back Up ● |
| 4:3 | | 2 | Rivet ● |

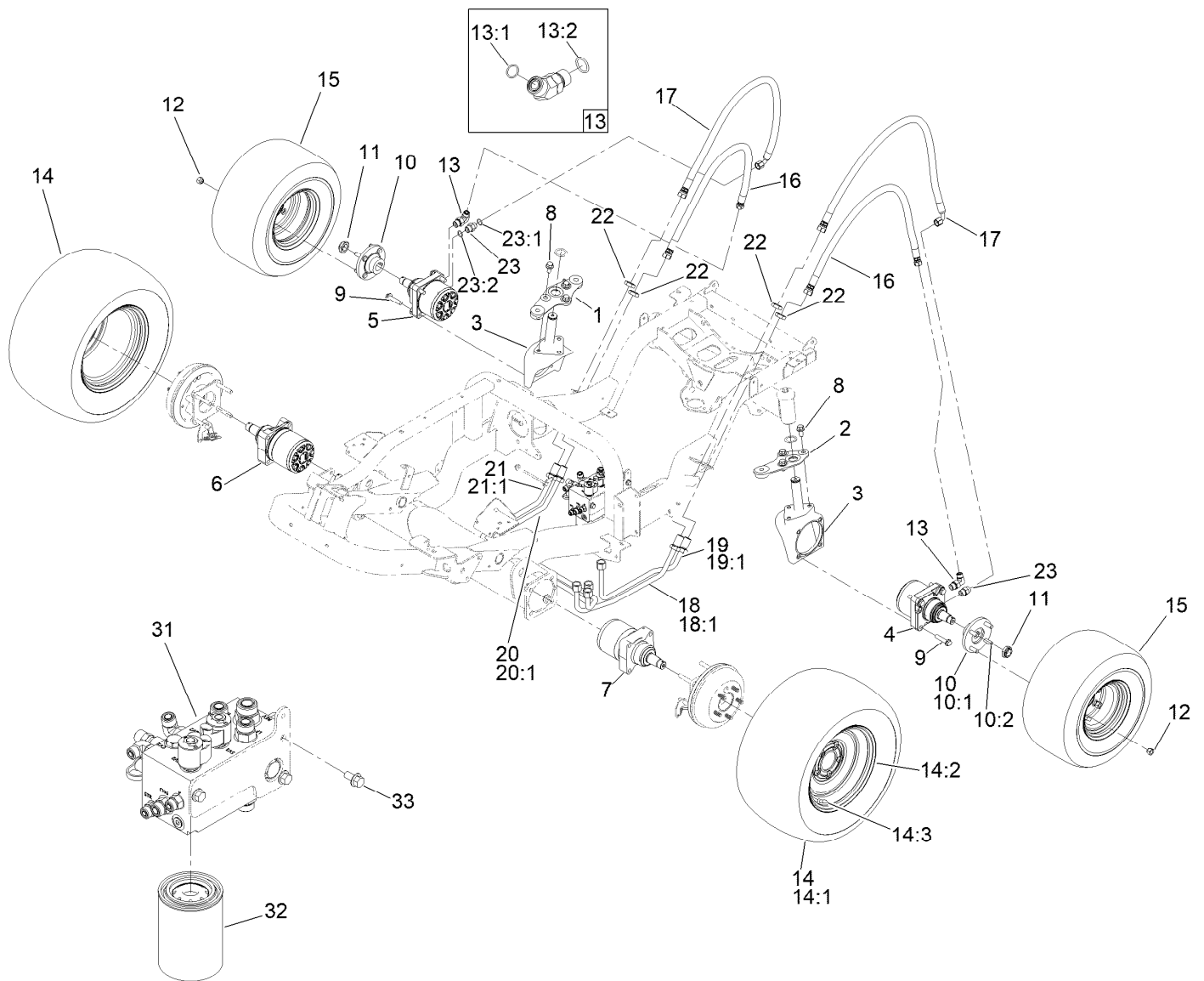
● Not serviced separately



Right Hand Brake Assembly No. 120-0233

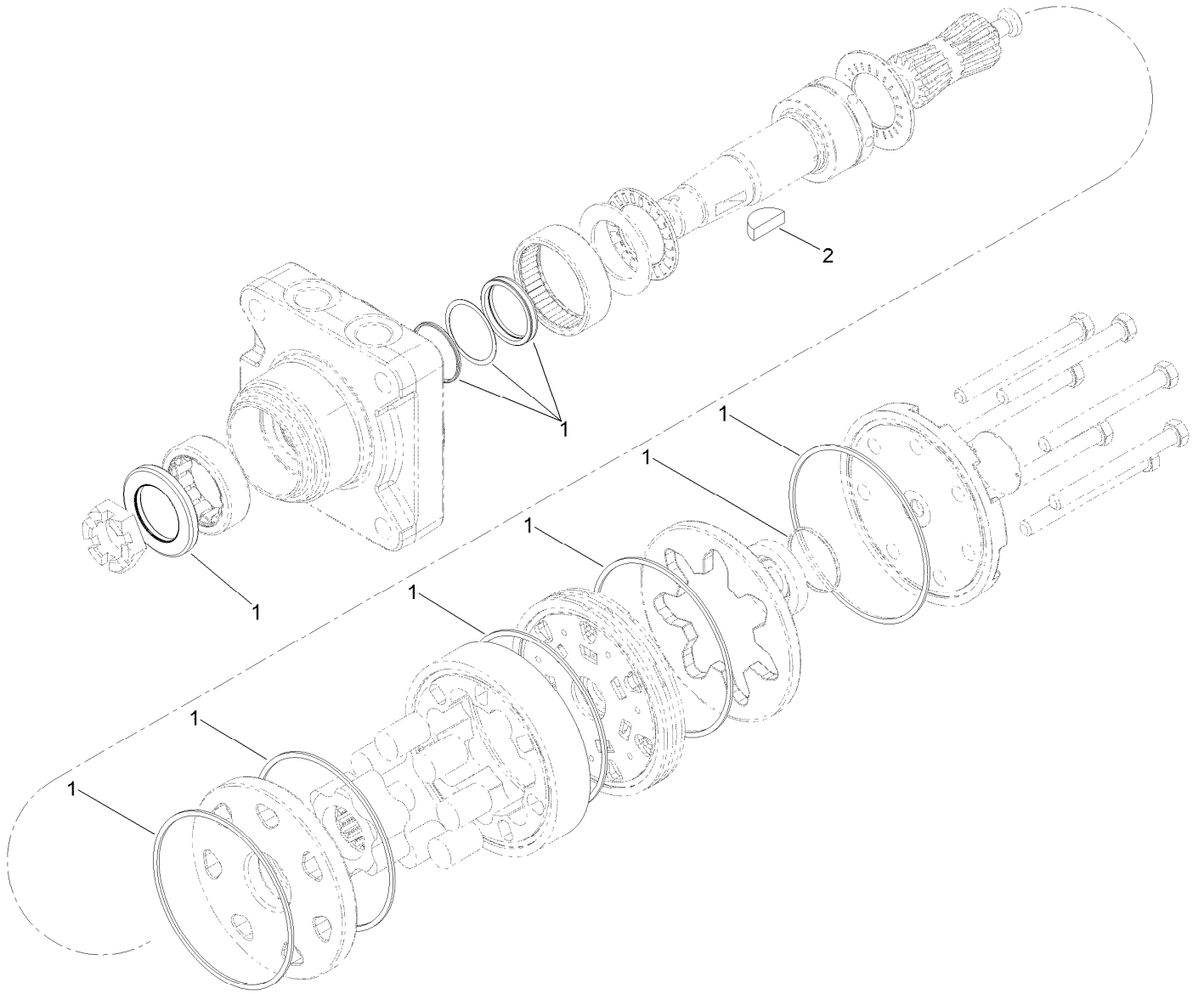
| Ref. | Part Number | Qty. | Description |
|------|-------------|------|--------------------|
| 1 | 139-5950 | 1 | Brake Shoe Kit |
| 2 | 108-6983 | 1 | Brake Hardware Kit |
| 3 | 120-0234 | 1 | RH Actuator Kit |
| 3:1 | | 1 | Housing ● |
| 3:2 | | 1 | Lever-RH ● |
| 3:3 | | 1 | Pin-Pivot ● |
| 3:4 | | 1 | E-Ring ● |
| 4 | 110-8885 | 1 | Dust Boot Kit |
| 4:1 | | 1 | Boot ● |
| 4:2 | | 1 | Plate-Back Up ● |
| 4:3 | | 2 | Rivet ● |

● Not serviced separately



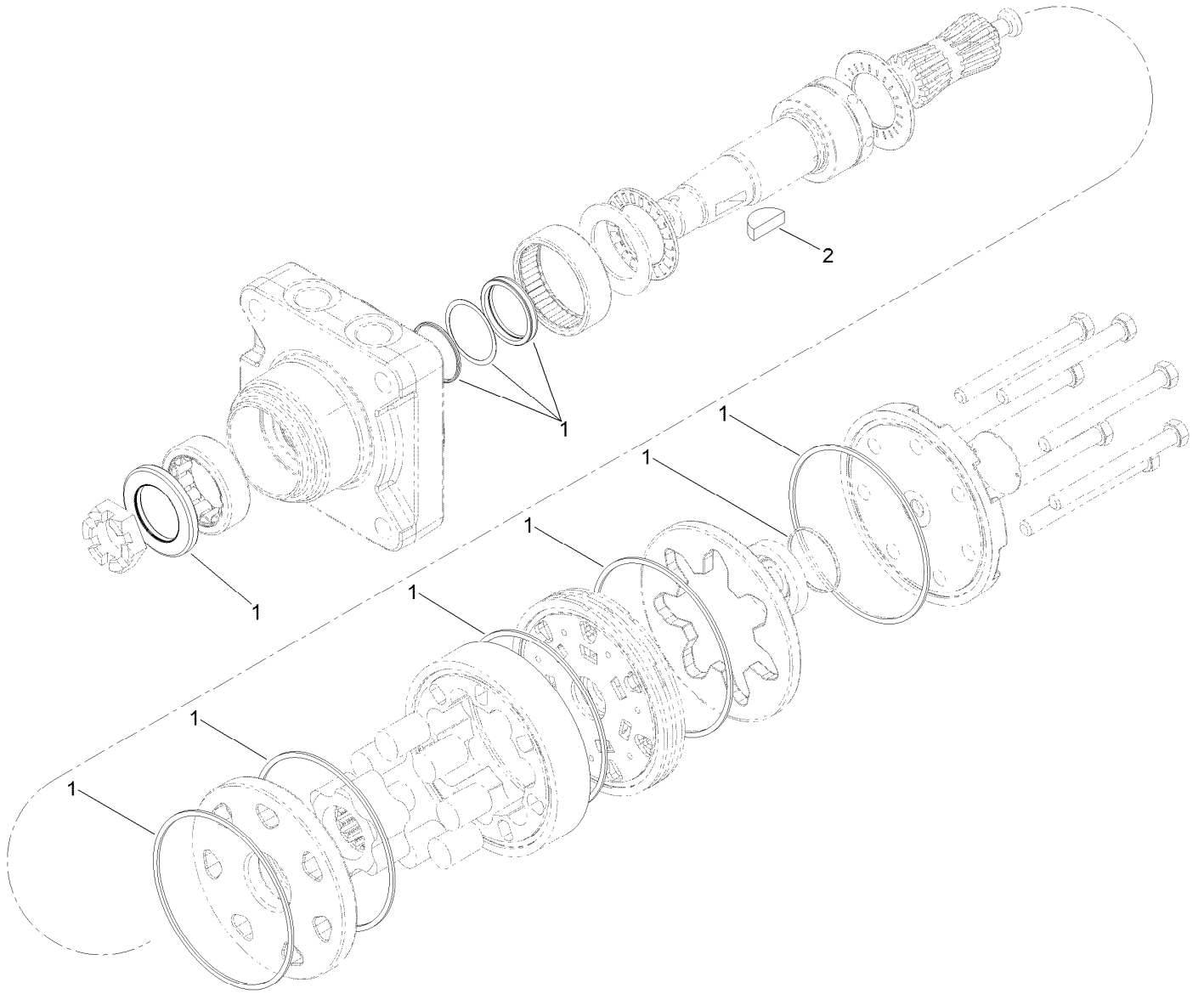
Hydraulic Drive Assembly

| Ref. | Part Number | Qty. | Description | Ref. | Part Number | Qty. | Description |
|------|-------------|------|-----------------------|------|-------------|------|------------------------|
| 1 | 140-3142 | 1 | Link-Drag, RH | 14:3 | 232-27 | 1 | Stem-Valve |
| 2 | 140-3144 | 1 | Link-Drag, LH | 15 | 137-2592 | 2 | Wheel ASM |
| 3 | 107-4517-03 | 2 | Housing-Motor | 16 | 144-3929 | 2 | Hose ASM, Hydraulic |
| 4 | 138-0303 | 1 | Motor-Hydraulic, CCW | 17 | 144-3928 | 2 | Hose ASM, Hydraulic |
| 5 | 138-0304 | 1 | Motor-Hydraulic, CW | 18 | 138-0334 | 1 | Hydraulic Tube ASM |
| 6 | 137-2478 | 1 | Motor-Hydraulic, CW | 18:1 | 237-65 | 1 | O-Ring |
| 7 | 137-2458 | 1 | Motor-Hydraulic, CCW | 19 | 138-0335 | 1 | Hydraulic Tube ASM |
| 8 | 3234-38 | 6 | Screw-HHF | 19:1 | 237-65 | 1 | O-Ring |
| 9 | 3234-46 | 8 | Screw-HHF | 20 | 138-0337 | 1 | Hydraulic Tube ASM |
| 10 | 18-3209 | 2 | Wheel Hub/Stud ASM | 20:1 | 237-65 | 1 | O-Ring |
| 10:1 | 10-6870-03 | 1 | Hub-Wheel | 21 | 138-0338 | 1 | Hydraulic Tube ASM |
| 10:2 | 10-6830 | 4 | Stud-Type, Drive | 21:1 | 237-65 | 1 | O-Ring |
| 11 | 116-1399 | 2 | Locknut | 22 | 340-74 | 4 | Nut-Lock, Bulkhead |
| 12 | 242-50 | 8 | Nut-Lug | 23 | 340-6 | 2 | Fitting-Straight |
| 13 | 340-105 | 2 | Fitting-Elbow, 90 DEG | 23:1 | 237-30 | 1 | O-Ring |
| 13:1 | 237-80 | 1 | O-Ring | 23:2 | 237-80 | 1 | O-Ring |
| 13:2 | 237-30 | 1 | O-Ring | 31 | 138-4489 | 1 | Manifold-Steering/Lift |
| 14 | 137-2590 | 2 | Wheel ASM | 32 | 86-3010 | 1 | Filter-Oil |
| 14:1 | 137-2594 | 1 | Tire | 33 | 3234-1 | 3 | Screw-HHF |
| 14:2 | 137-2595 | 1 | Rim | | | | |



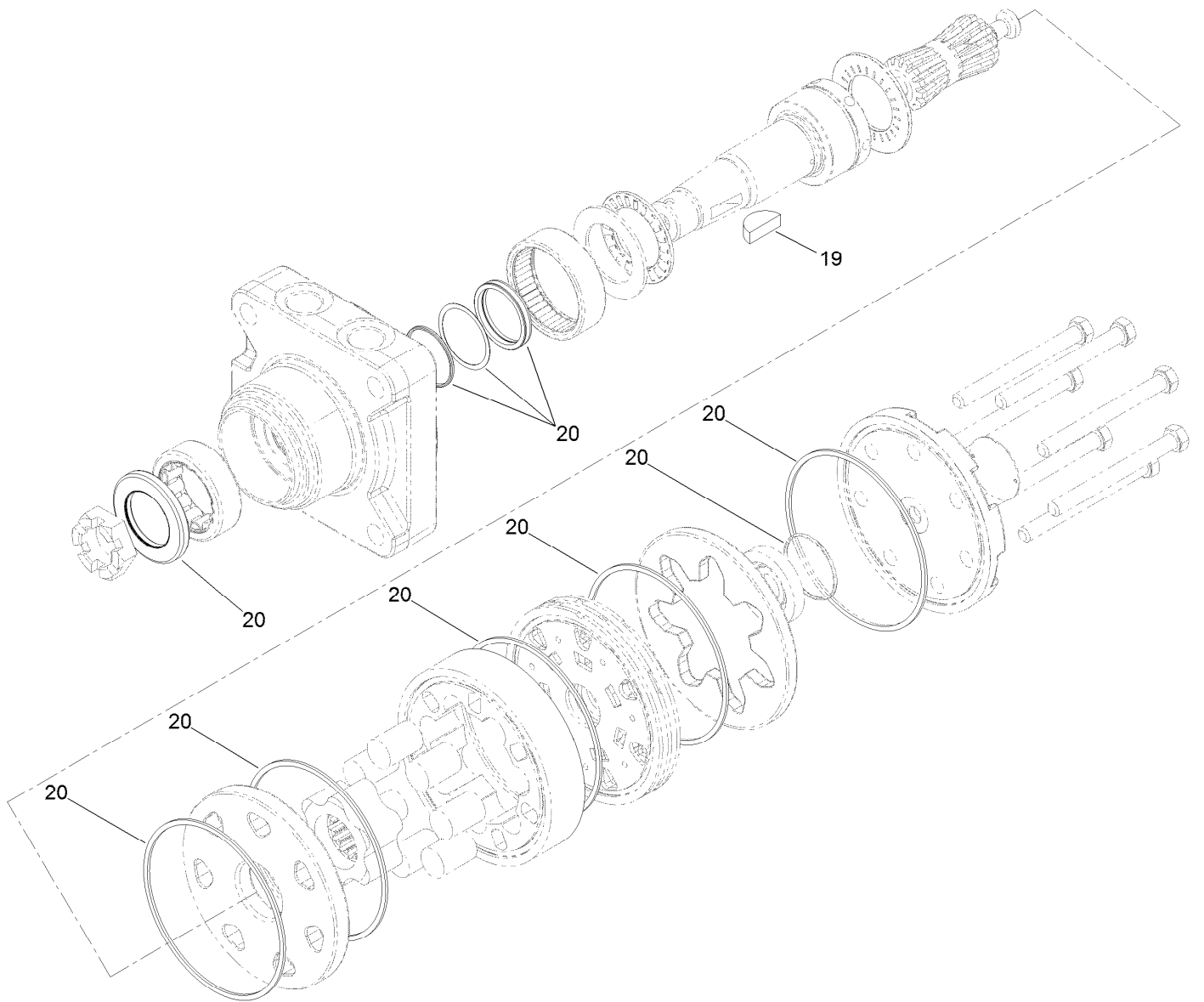
Hydraulic Motor Assembly No. 138-0304

| <i>Ref.</i> | <i>Part Number</i> | <i>Qty.</i> | <i>Description</i> |
|-------------|--------------------|-------------|--------------------|
| 1 | 110-8897 | 1 | Seal Kit |
| 2 | 3257-42 | 1 | Key-Woodruff |



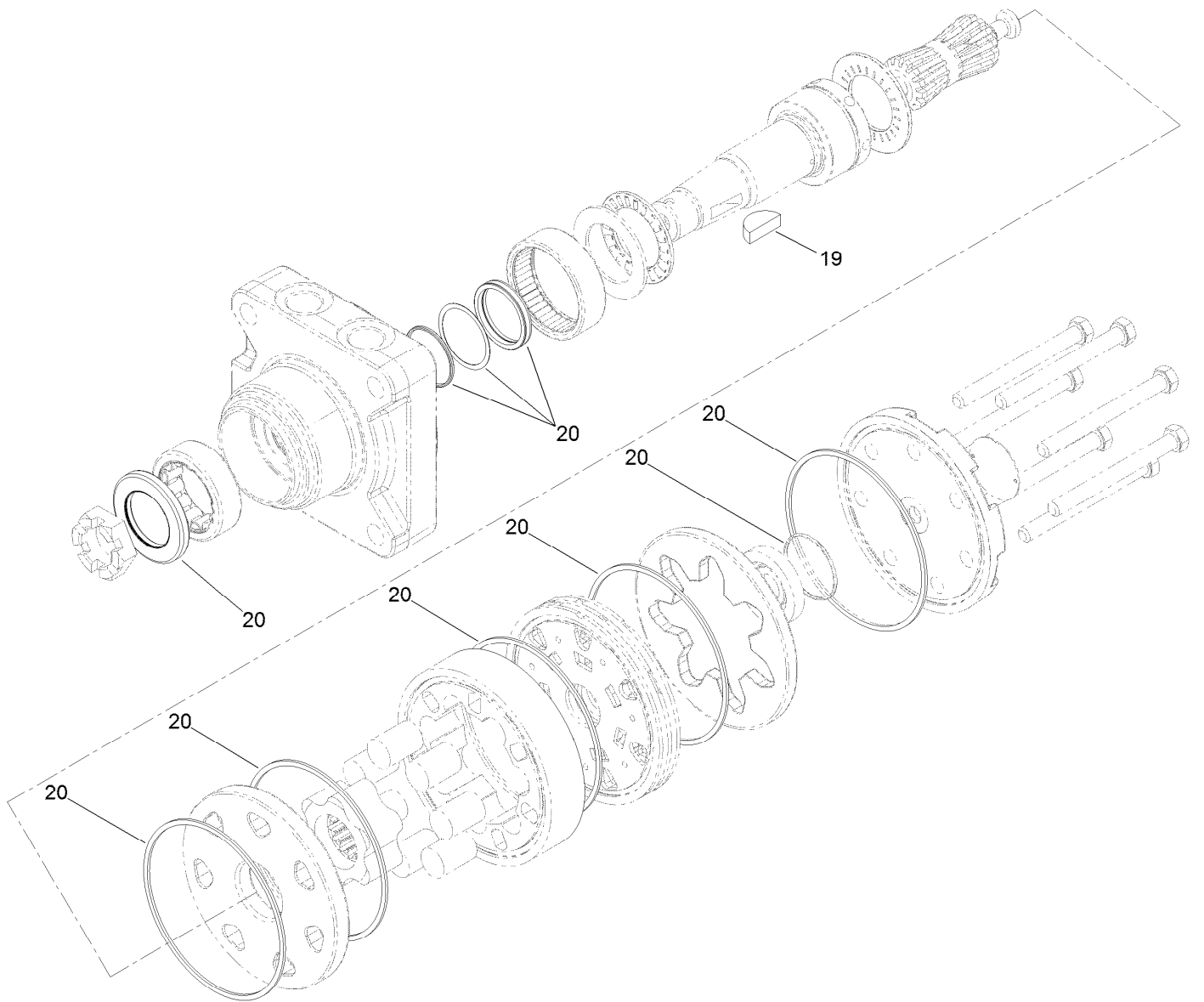
Hydraulic Motor Assembly No. 138-0303

| <i>Ref.</i> | <i>Part Number</i> | <i>Qty.</i> | <i>Description</i> |
|-------------|--------------------|-------------|--------------------|
| 1 | 110-8897 | 1 | Seal Kit |
| 2 | 3257-42 | 1 | Key-Woodruff |



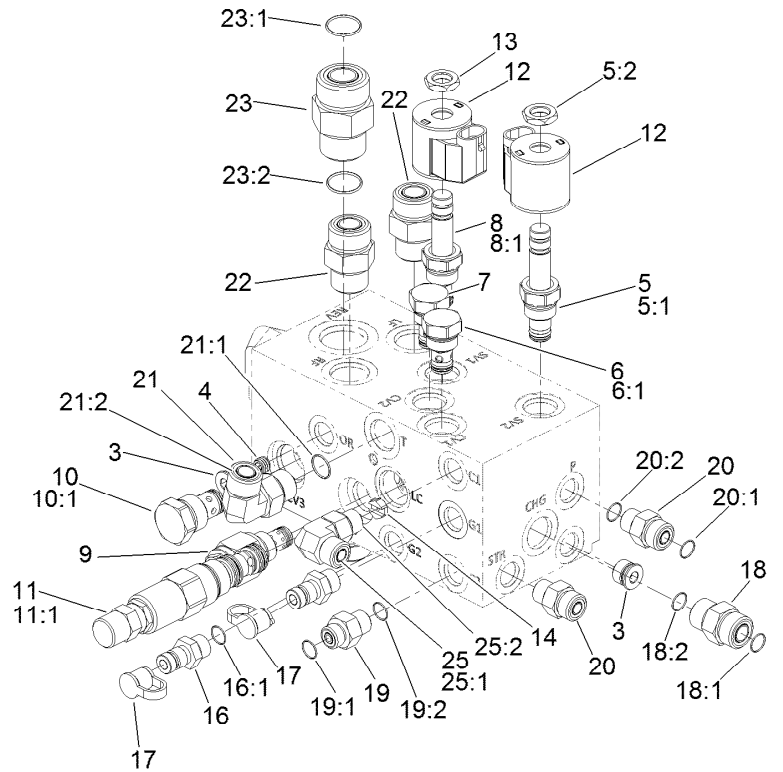
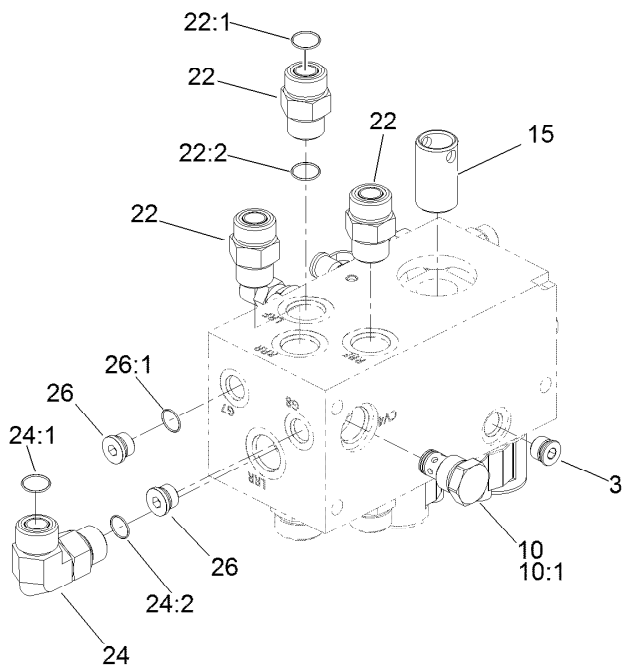
Hydraulic Motor Assembly No. 137-2458

| <i>Ref.</i> | <i>Part Number</i> | <i>Qty.</i> | <i>Description</i> |
|-------------|--------------------|-------------|--------------------|
| 19 | 3257-42 | 1 | Key-Woodruff |
| 20 | 110-8896 | 1 | Seal Kit |



Hydraulic Motor Assembly No. 137-2478

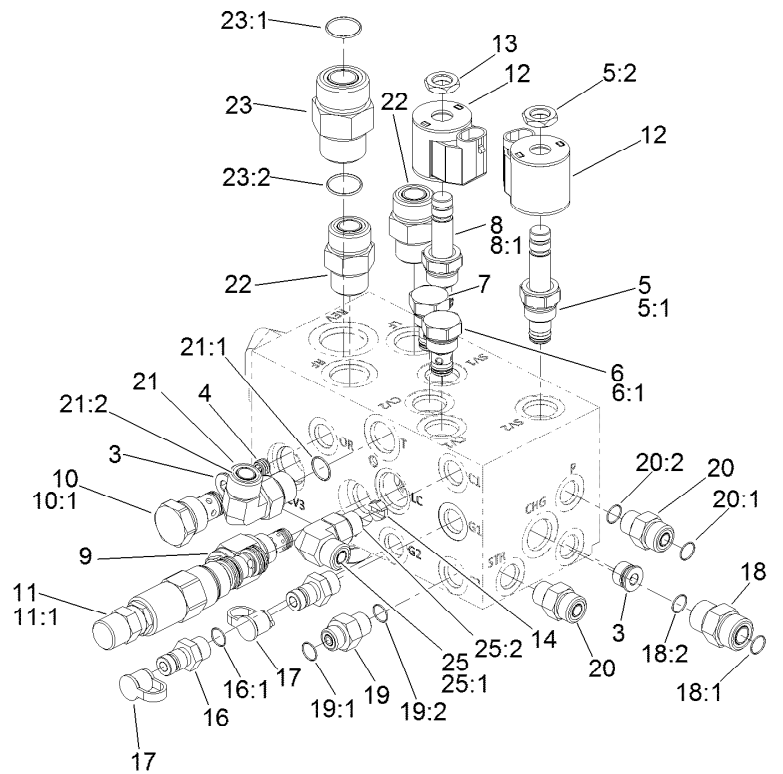
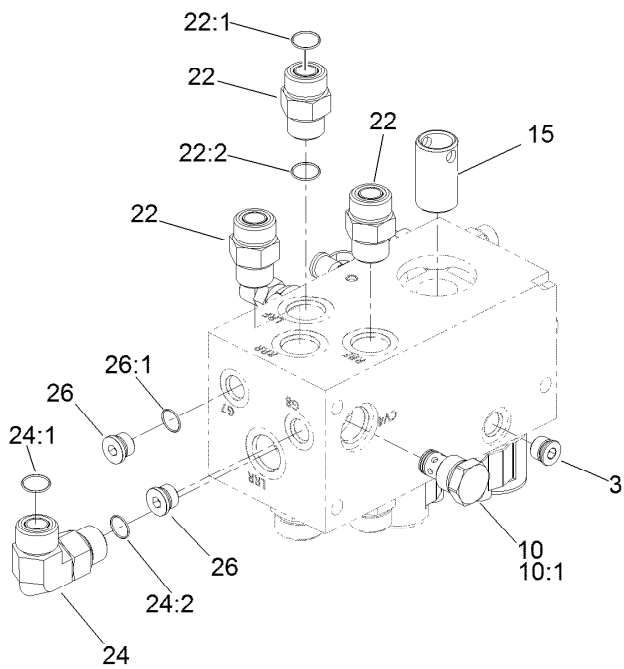
| <i>Ref.</i> | <i>Part Number</i> | <i>Qty.</i> | <i>Description</i> |
|-------------|--------------------|-------------|--------------------|
| 19 | 3257-42 | 1 | Key-Woodruff |
| 20 | 110-8896 | 1 | Seal Kit |



Steer/Lift Manifold Assembly No. 138-4489

| Ref. | Part Number | Qty. | Description | Ref. | Part Number | Qty. | Description |
|------|-------------|------|-----------------------------------|------|-------------|------|-------------------------|
| 3 | 112-9213 | 3 | Plug | 14 | 139-6296 | 1 | Orifice-Check 0.100 DIA |
| 4 | 110-8883 | 1 | Plug-Orifice (0.040) | 15 | 139-6297 | 1 | Nipple-Filter |
| 5 | 112-9206 | 1 | Solenoid Valve ASM | 16 | 59-7410 | 2 | Fitting-Diagnostic |
| 5:1 | 105-9156 | 1 | Seal Kit | 16:1 | 237-42 | 1 | O-Ring |
| 5:2 | 110-2634 | 1 | Nut-Coil | 17 | 354-79 | 2 | Cap-Dust |
| 6 | 114-2873 | 1 | Check Valve ASM | 18 | 340-4 | 1 | Fitting-Straight |
| 6:1 | 105-9156 | 1 | Seal Kit | 18:1 | 237-30 | 1 | O-Ring |
| 7 | 139-1213 | 1 | Valve-Check | 18:2 | 237-79 | 1 | O-Ring |
| 8 | 120-6562 | 1 | Valve-Solenoid | 19 | 340-1 | 1 | Fitting-Straight |
| 8:1 | 105-9156 | 1 | Seal Kit | 19:1 | 237-21 | 1 | O-Ring |
| 9 | 139-6298 | 1 | Valve-Relief (Bi-Directional) | 19:2 | 237-42 | 1 | O-Ring |
| 10 | 110-8881 | 2 | Valve-Check | 20 | 340-2 | 2 | Fitting-Straight |
| 10:1 | 105-9159 | 1 | Seal Kit ● | 20:1 | 237-22 | 1 | O-Ring |
| 11 | 144-0501 | 1 | Valve-Logic, 220 PSI (Adjustable) | 20:2 | 237-42 | 1 | O-Ring |
| 11:1 | 119-2159 | 1 | Seal Kit | 21 | 340-98 | 1 | Fitting-Elbow, 90 DEG |
| 12 | 110-0497 | 2 | Coil-Solenoid | 21:1 | 237-79 | 1 | O-Ring |
| 13 | 110-2634 | 2 | Nut-Coil | 21:2 | 237-30 | 1 | O-Ring |
| | | | | 22 | 340-7 | 5 | Fitting-Straight |

● Not illustrated

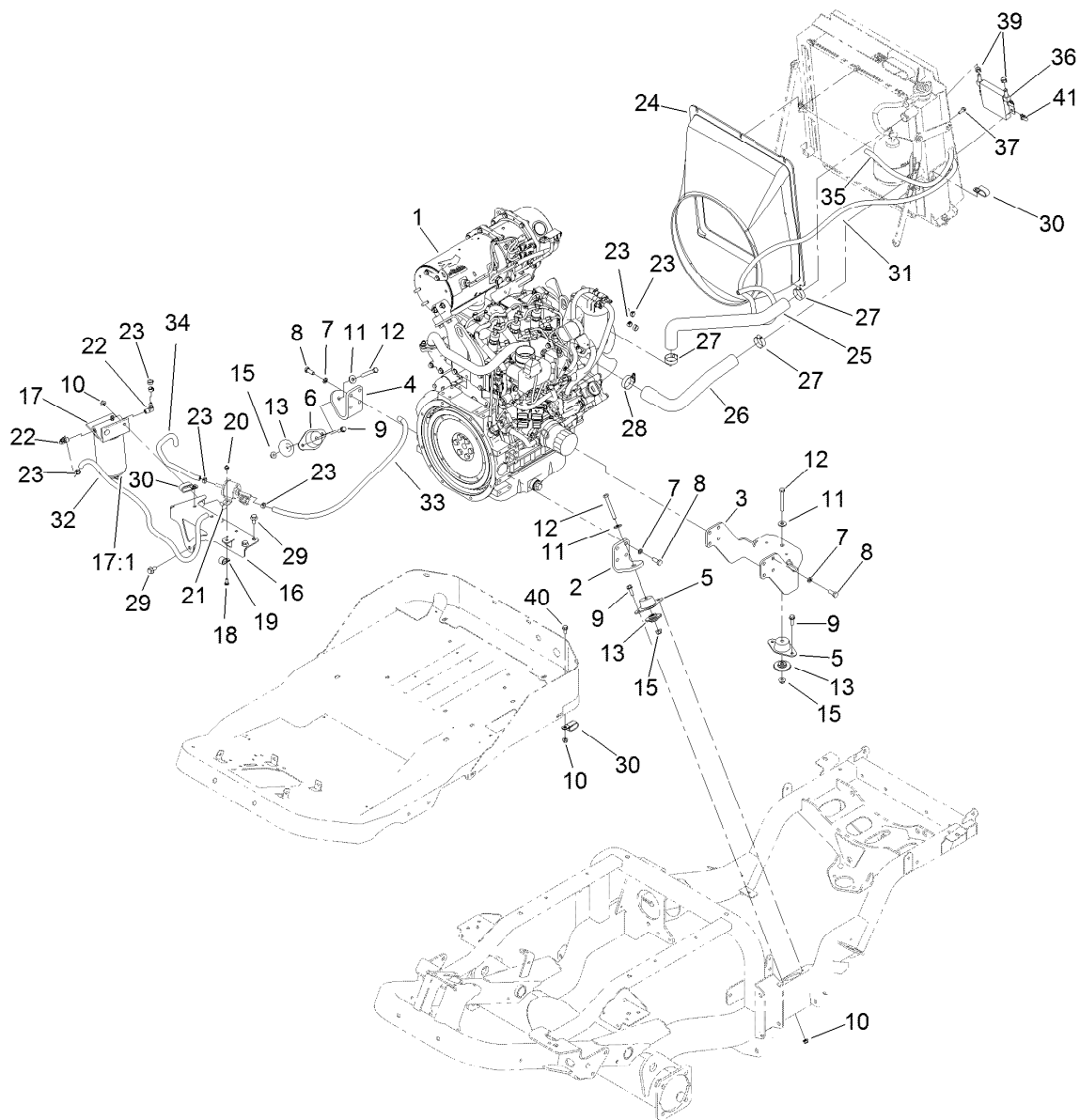


Steer/Lift Manifold Assembly No. 138-4489 (continued)

| Ref. | Part Number | Qty. | Description |
|------|-------------|------|-----------------------|
| 22:1 | 237-65 | 1 | O-Ring |
| 22:2 | 237-80 | 1 | O-Ring |
| 23 | 340-9 | 1 | Fitting-STR |
| 23:1 | 237-58 | 1 | O-Ring |
| 23:2 | 237-81 | 1 | O-Ring |
| 24 | 340-17 | 1 | Fitting-Elbow, 90 DEG |
| 24:1 | 237-65 | 1 | O-Ring |

| Ref. | Part Number | Qty. | Description |
|------|-------------|------|-----------------------|
| 24:2 | 237-80 | 1 | O-Ring |
| 25 | 340-77 | 1 | Fitting-Elbow, 90 DEG |
| 25:1 | 237-22 | 1 | O-Ring |
| 25:2 | 237-42 | 1 | O-Ring |
| 26 | 353-989 | 2 | Plug-Hex, Hollow |
| 26:1 | 237-42 | 1 | O-Ring |

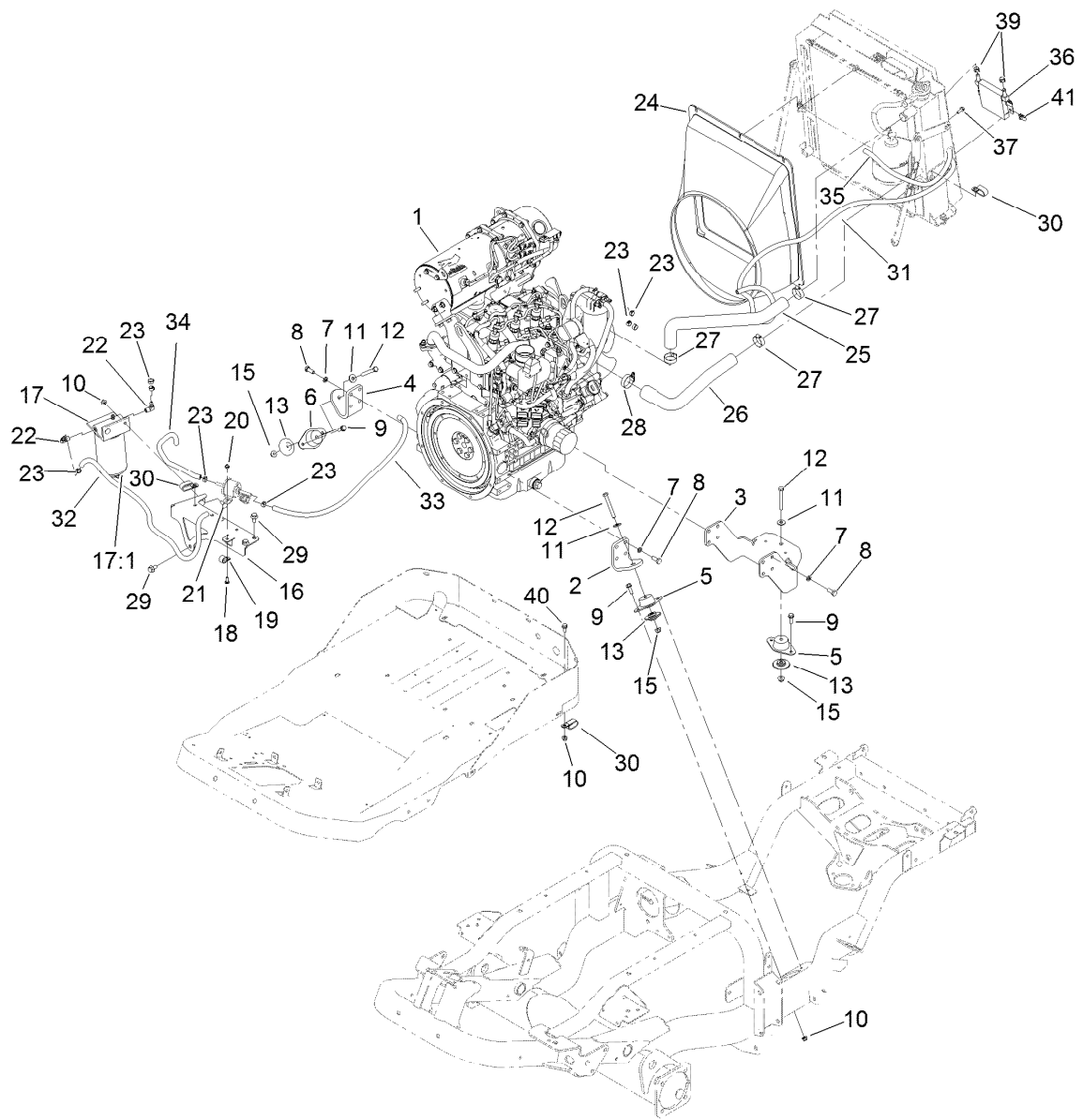
● Not illustrated



Engine, Radiator Hoses and Shroud Assembly

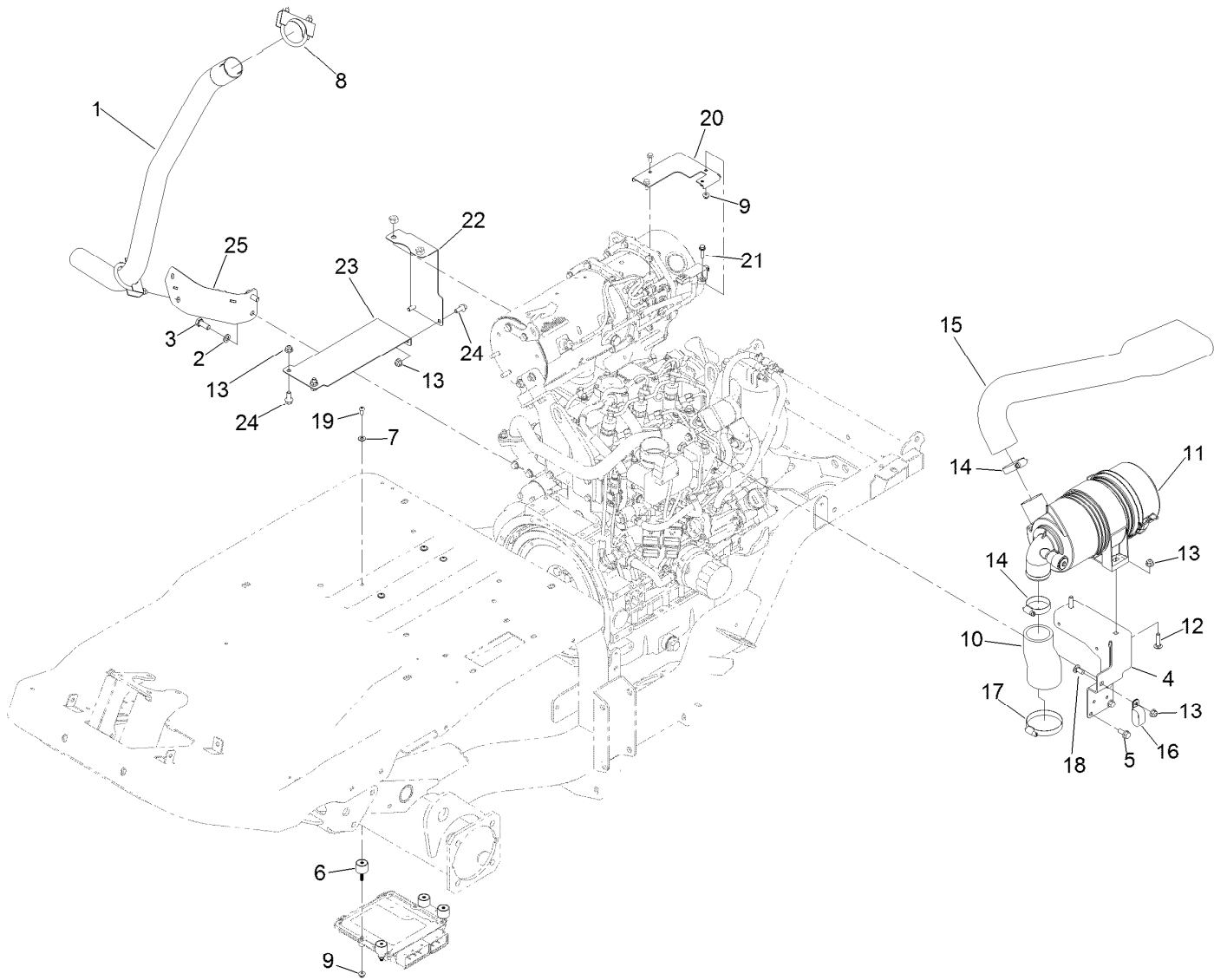
| Ref. | Part Number | Qty. | Description |
|------|-------------|------|----------------------------------|
| 1 | 139-6183 | 1 | Engine-Yanmar 3Tnv88C-Dtr6 |
| 2 | 138-0409-0P | 1 | Mount-Engine, LH Front |
| 3 | 138-0410-0P | 1 | Mount-Engine, Rear 37HP [primed] |
| 4 | 138-0408-0P | 1 | Mount-Engine, RH Front |
| 5 | 120-6274 | 2 | Mount-Engine |
| 6 | 139-0856 | 1 | Mount-Engine |
| 7 | 48-9590 | 14 | Washer-Lock |
| 8 | 33115-025 | 14 | Screw-HH |
| 9 | 3234-29 | 5 | Screw-HHF |
| 10 | 104-8300 | 8 | Nut-HF, NI |
| 11 | 80-6990 | 3 | Washer-Hardened |
| 12 | 323-14 | 3 | Screw-HH |
| 13 | 138-6462 | 3 | Support-Isolator |
| 15 | 104-8301 | 3 | Nut-HF, NI |
| 16 | 138-4532-0P | 1 | Bracket-Filter Mount [primed] |
| 17 | 125-2914 | 1 | Filter-Separator |
| 17:1 | 125-2915 | 1 | Filter-Fuel/Water Separator |
| 18 | 1-807512 | 2 | Bolt-CARR |

| Ref. | Part Number | Qty. | Description |
|------|-------------|------|----------------------|
| 19 | 2412-87 | 1 | Clamp-Cable |
| 20 | 104-7201 | 2 | Nut-HF, NI |
| 21 | 3230-10 | 2 | Bolt-CARR |
| 22 | 353-781 | 2 | Fitting-HYD, 90 |
| 23 | 92-2379 | 6 | Clamp-Hose |
| 24 | 138-0419 | 1 | Shroud-Fan |
| 25 | 138-0429 | 1 | Hose-Radiator, Upper |
| 26 | 138-0430 | 1 | Hose-Radiator, Lower |
| 27 | 2412-34 | 3 | Clamp-Hose |
| 28 | 2412-3 | 1 | Clamp-Hose |
| 29 | 33105-020 | 2 | Screw-HHF |
| 30 | 120-1959 | 3 | Clamp |
| 31 | 139-6255 | 1 | Hose-Fuel |
| 32 | 126-1805 | 1 | Hose |
| 33 | 110-3257 | 1 | Hose-Fuel |
| 34 | 110-4101 | 1 | Hose-Fuel |
| 35 | 139-6276 | 1 | Hose-Fuel |
| 36 | 116-7205 | 1 | Cooler |
| 37 | 3234-4 | 4 | Screw-HHF |
| 39 | 103-1988 | 2 | Clamp-Hose |



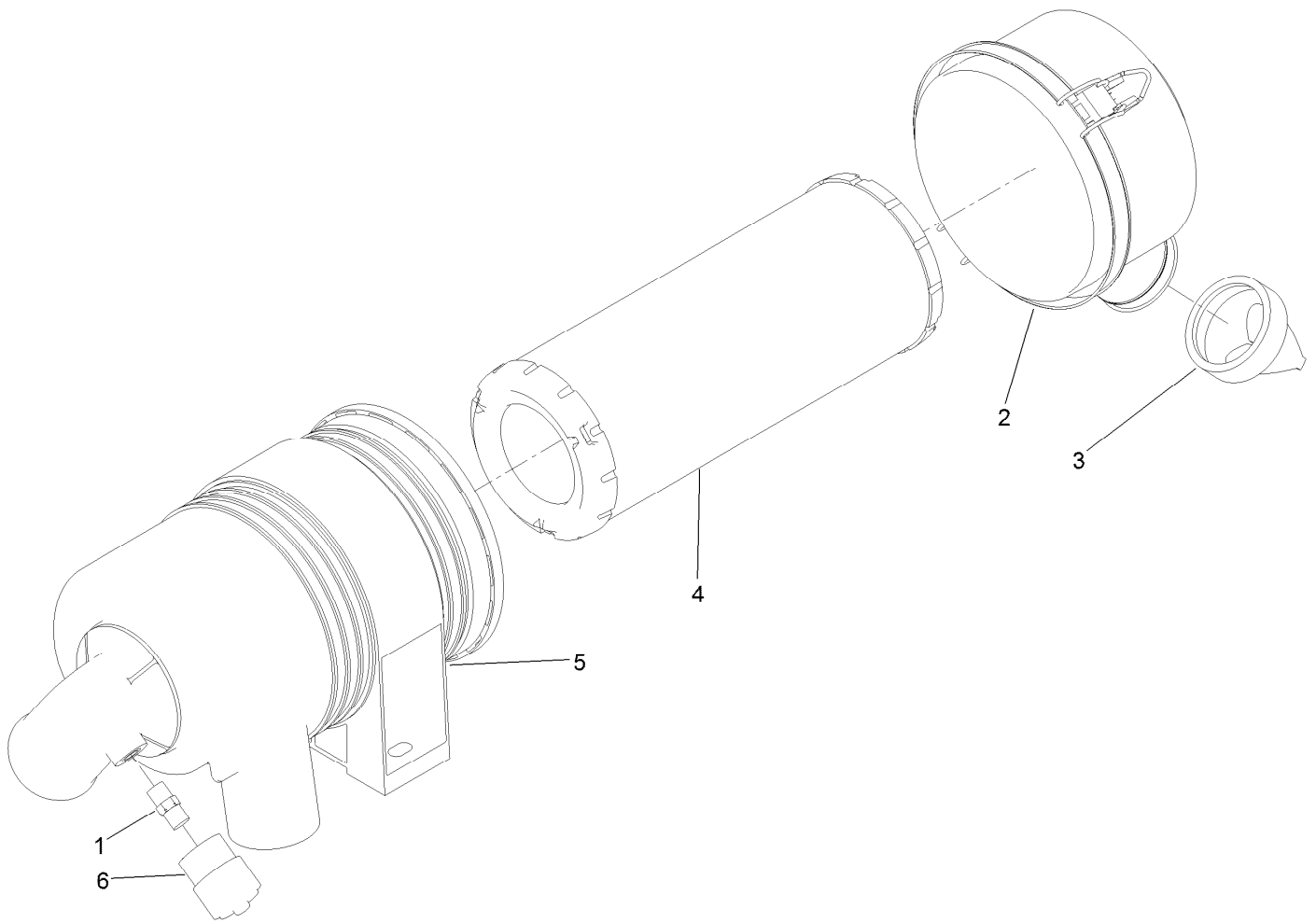
Engine, Radiator Hoses and Shroud Assembly (continued)

| <i>Ref.</i> | <i>Part Number</i> | <i>Qty.</i> | <i>Description</i> |
|-------------|--------------------|-------------|--------------------|
| 40 | 3234-47 | 1 | Screw-HHF |
| 41 | 107069 | 4 | Clip |



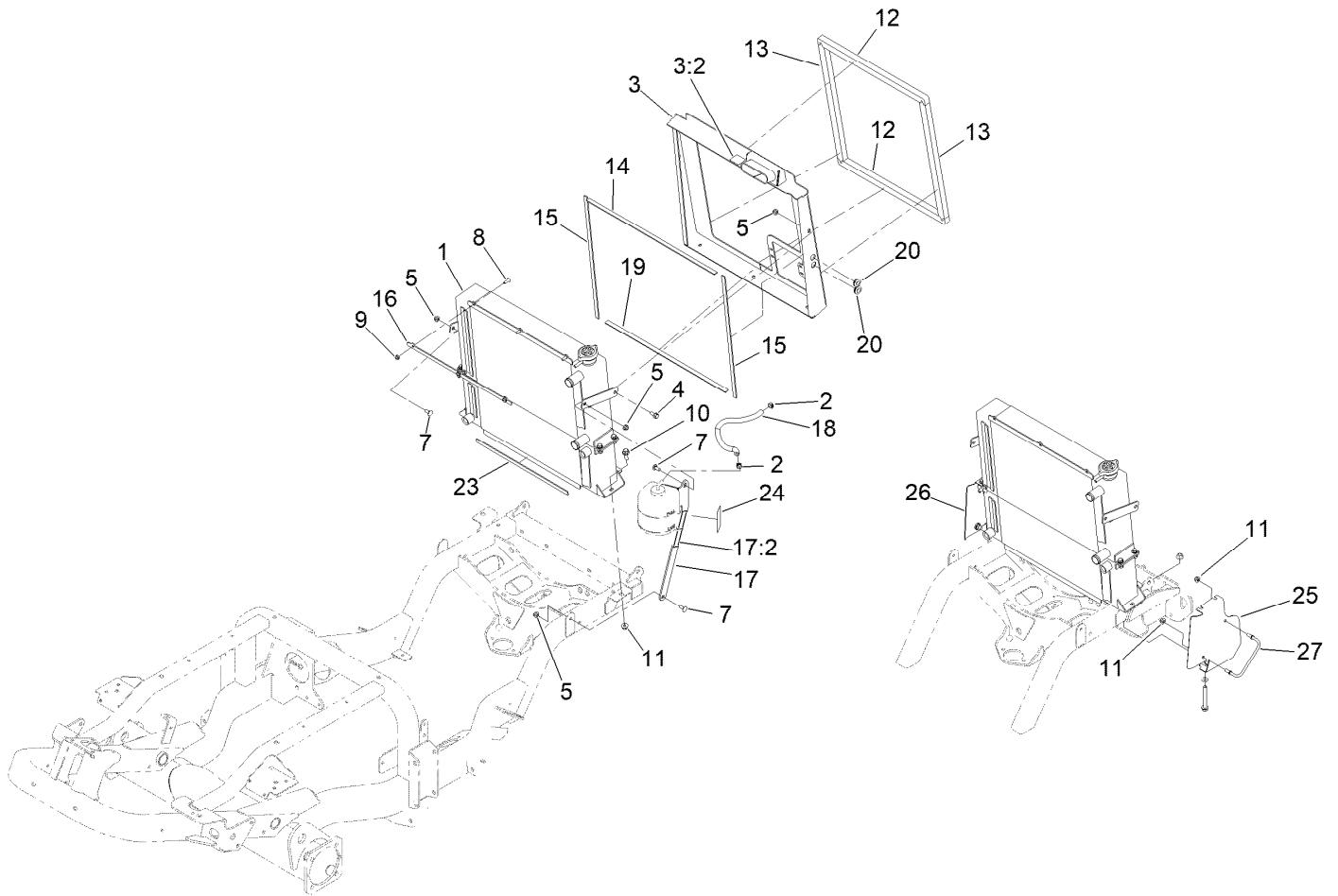
Air Cleaner and Exhaust Assembly

| <i>Ref.</i> | <i>Part Number</i> | <i>Qty.</i> | <i>Description</i> | <i>Ref.</i> | <i>Part Number</i> | <i>Qty.</i> | <i>Description</i> |
|-------------|--------------------|-------------|-----------------------------|-------------|--------------------|-------------|----------------------------|
| 1 | 144-0569 | 1 | Pipe-Exhaust | 14 | 2412-130 | 2 | Clamp-Hose |
| 2 | 48-9590 | 2 | Washer-Lock | 15 | 138-4455 | 1 | Hose-Intake |
| 3 | 33115-025 | 2 | Screw-HH | 16 | 120-1959 | 1 | Clamp |
| 4 | 138-0432-0P | 1 | Bracket-Air Filter [primed] | 17 | 2412-53 | 1 | Clamp-Drive, Worm |
| 5 | 33104-020 | 3 | Screw-HHF | 18 | 3230-23 | 1 | Bolt-CARR |
| 6 | 139-6176 | 4 | Mount-ISO | 19 | 135-6367 | 4 | Screw-HSBH |
| 7 | 3256-1 | 4 | Washer-Flat | 20 | 139-6181-0P | 1 | Bracket-Sensor, Dpf |
| 8 | 18-2130 | 2 | Clamp | 21 | 120-4654 | 2 | Screw-HHF |
| 9 | 104-7201 | 6 | Nut-HF, NI | 22 | 139-6185 | 1 | Bracket-Heat Shield, Rear |
| 10 | 137-5809 | 1 | Hose-Cleaner, Air | 23 | 139-6184 | 1 | Bracket-Heat Shield, Lower |
| 11 | 136-4481 | 1 | Air Cleaner ASM | 24 | 3234-47 | 4 | Screw-HHF |
| 12 | 3230-29 | 2 | Screw-CARR | 25 | 144-0572-03 | 1 | Support-Tailpipe |
| 13 | 104-8300 | 7 | Nut-HF, NI | | | | |



Air Cleaner Assembly No. 136-4481

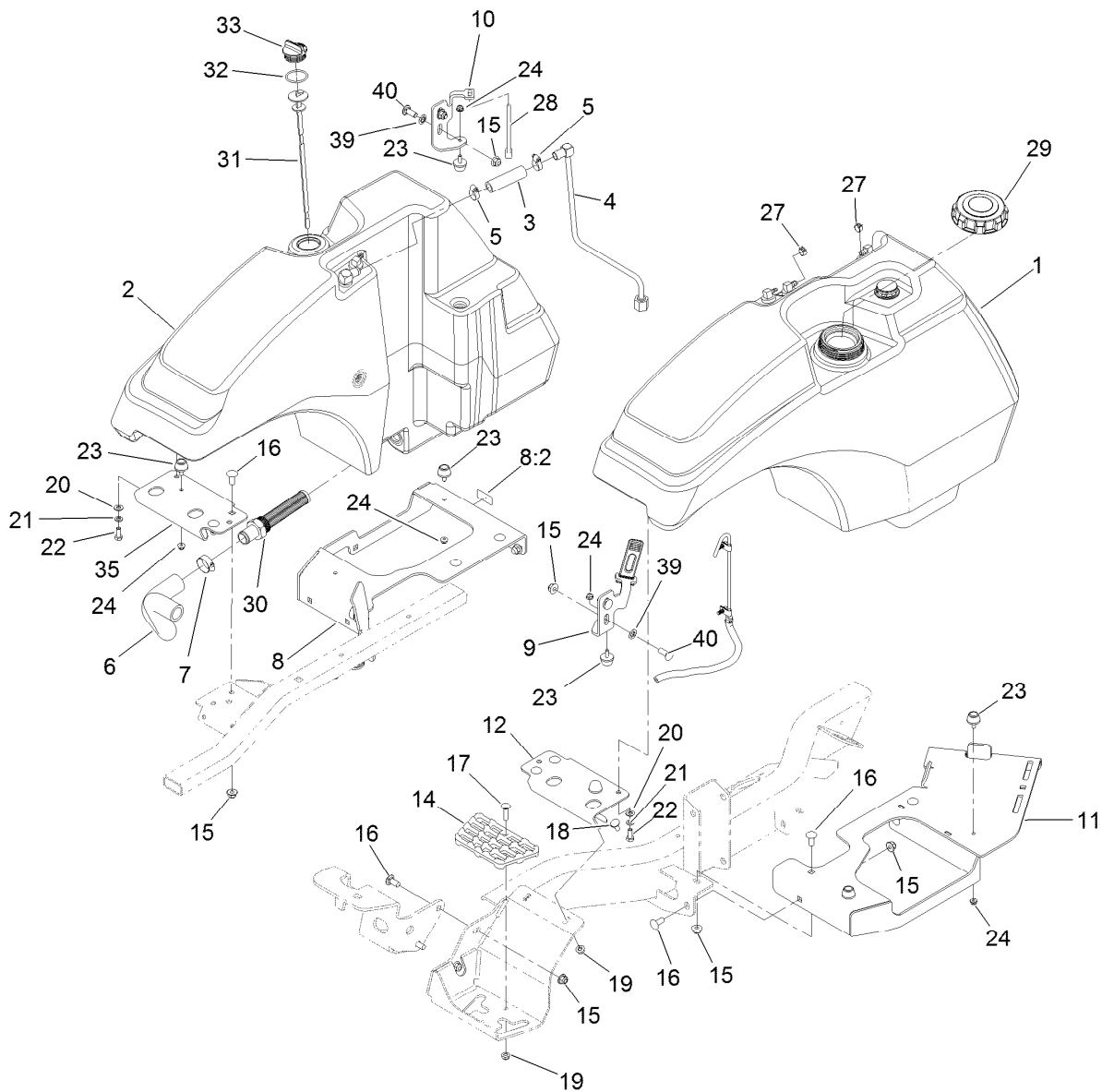
| <i>Ref.</i> | <i>Part Number</i> | <i>Qty.</i> | <i>Description</i> |
|-------------|--------------------|-------------|----------------------|
| 1 | 94-1416 | 1 | Adapter-Indicator |
| 2 | 98-9771 | 1 | Cover ASM |
| 3 | 94-1414 | 1 | Valve-Vacuator |
| 4 | 108-3810 | 1 | Filter-Air |
| 5 | 98-4525 | 1 | Bracket-Cleaner, Air |
| 6 | 93-9164 | 1 | Indicator-Mini |



Radiator and Cooler Assembly

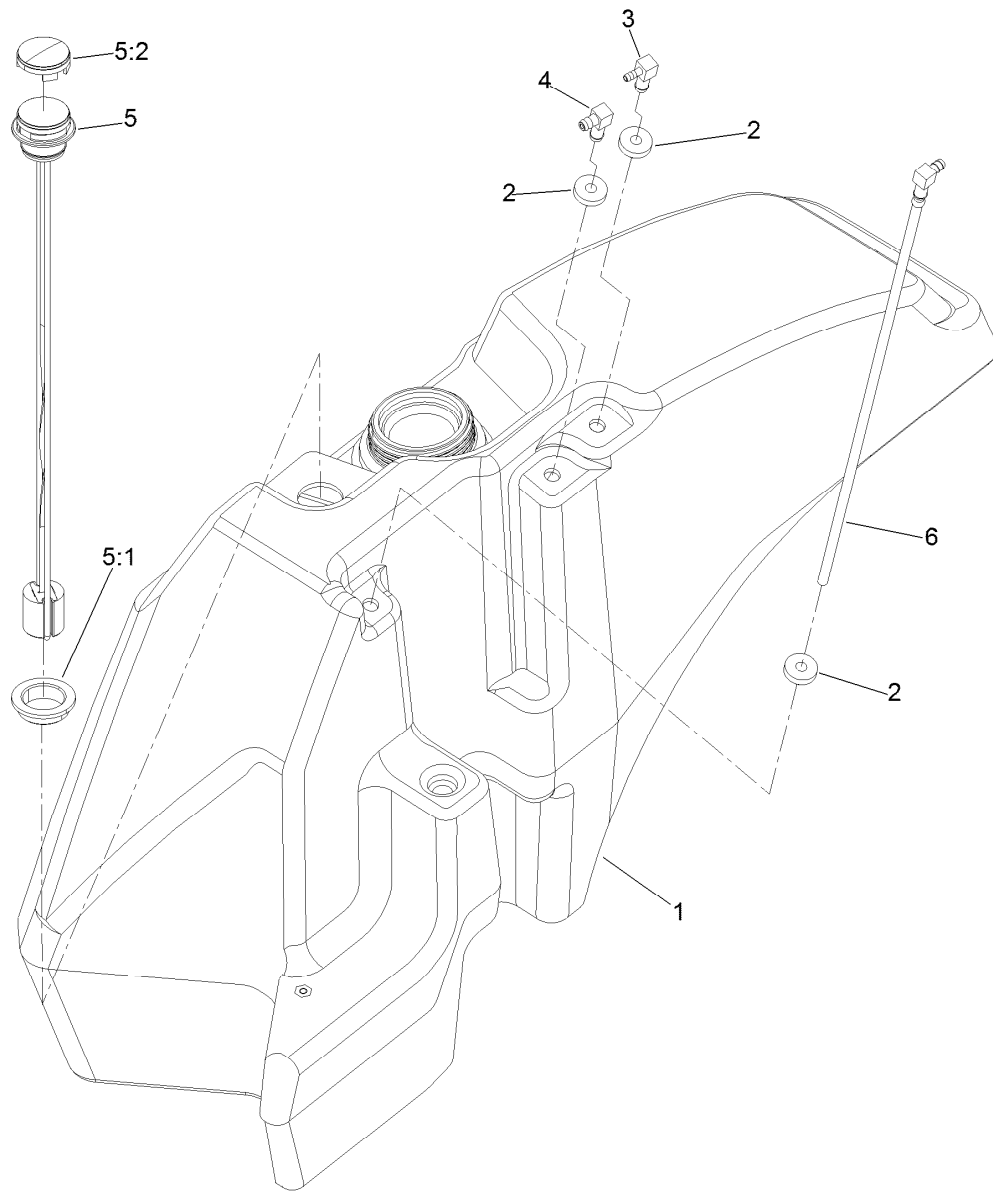
| Ref. | Part Number | Qty. | Description |
|------|-------------|------|-------------------------|
| 1 | 138-7420 | 1 | Radiator/Oil Cooler ASM |
| 2 | 92-2379 | 2 | Clamp-Hose |
| 3 | 139-6232 | 1 | Shroud-Cooler ASM |
| 3:2 | 115-8155 | 1 | Decal-Warning |
| 4 | 3234-47 | 2 | Screw-HHF |
| 5 | 104-8300 | 15 | Nut-HF, NI |
| 7 | 3230-23 | 9 | Bolt-CARR |
| 8 | 1-807512 | 3 | Bolt-CARR |
| 9 | 104-7201 | 3 | Nut-HF, NI |
| 10 | 3234-42 | 2 | Screw-HHF |
| 11 | 104-8301 | 2 | Nut-HF, NI |
| 12 | 138-4410 | 2 | Seal-Foam |
| 13 | 138-4411 | 2 | Seal-Foam |

| Ref. | Part Number | Qty. | Description |
|------|-------------|------|---------------------------|
| 14 | 138-4453 | 1 | Foam-Radiator |
| 15 | 138-4454 | 2 | Foam-Radiator, Side |
| 16 | 138-4461-0P | 1 | Bracket-Shroud Retainer |
| 17 | 139-6230 | 1 | Bracket-Bottle Mount |
| 17:2 | 93-7272 | 1 | Decal-Warning |
| 18 | 106-1126 | 1 | Hose-Fuel |
| 19 | 108-1393 | 1 | Strip-Foam |
| 20 | MSC14544 | 2 | Grommet |
| 23 | 130-9182 | 1 | Foam-Radiator, Short |
| 24 | 144-0472 | 1 | Decal-Coolant Level |
| 25 | 144-0537-03 | 1 | Bracket-Cooler Shroud, LH |
| 26 | 144-0544-03 | 1 | Bracket-Cooler Shroud, RH |
| 27 | 144-3905 | 2 | Guide-Hose |



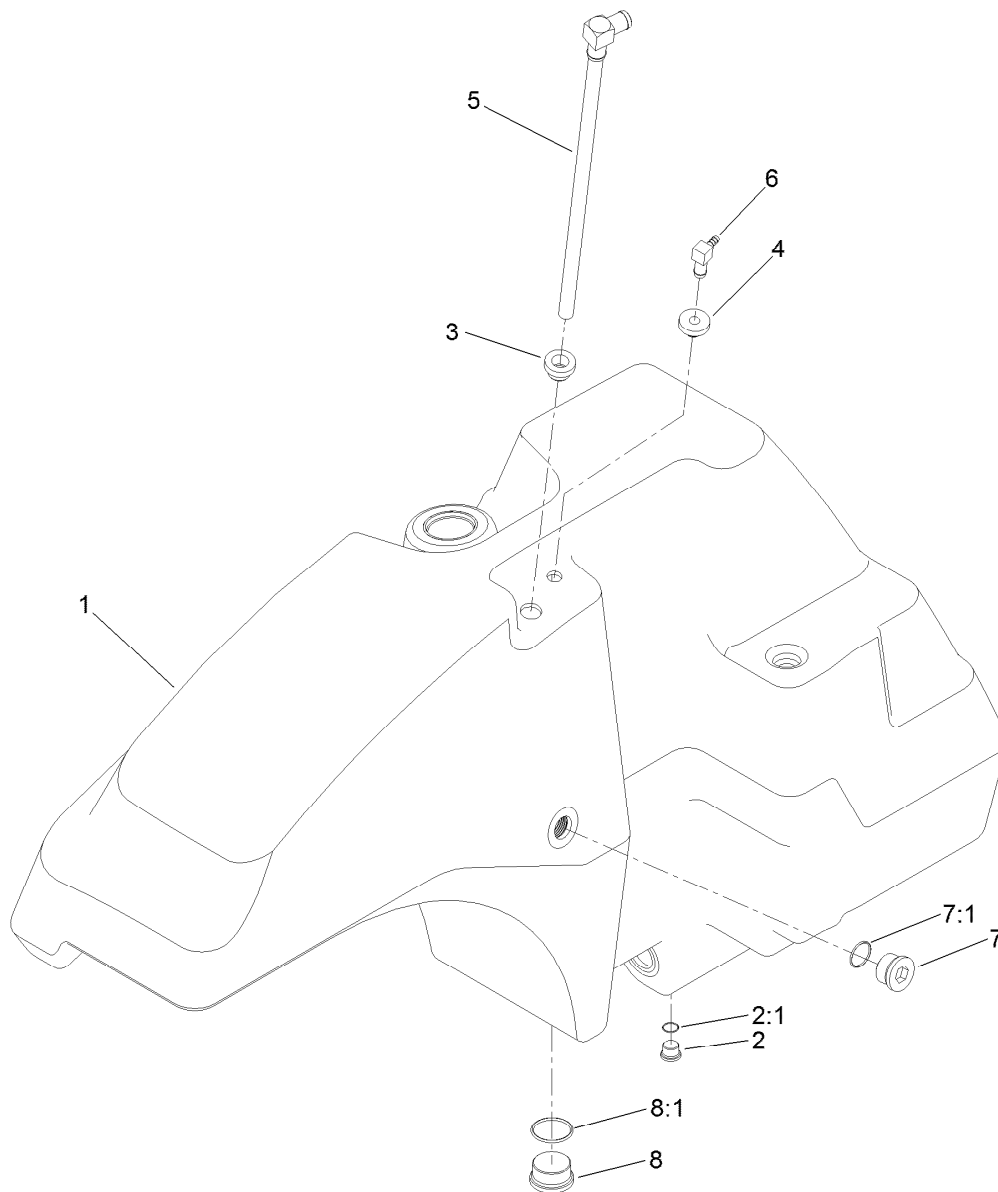
Fuel and Hydraulic Tank Assembly

| Ref. | Part Number | Qty. | Description | Ref. | Part Number | Qty. | Description |
|------|-------------|------|------------------------------|------|-------------|------|------------------------------|
| 1 | 138-0291 | 1 | Fuel Tank | 17 | 3230-3 | 1 | Screw-CARR |
| 2 | 138-4418 | 1 | Hydraulics Tank ASM | 18 | 3230-23 | 2 | Bolt-CARR |
| 3 | 114-4920 | 1 | Hose | 19 | 104-8300 | 3 | Nut-HF, NI |
| 4 | 138-7392 | 1 | Hydraulic Tube ASM | 20 | 3256-23 | 2 | Washer-Plain |
| 5 | 2412-119 | 2 | Clamp-Hose, Worm Drive | 21 | 3253-4 | 2 | Washer-Lock |
| 6 | 138-7361 | 1 | Hose-Suction | 22 | 322-3 | 2 | Screw-HH |
| 7 | 2412-34 | 1 | Clamp-Hose | 23 | 109-2365 | 8 | Bumper-Rubber |
| 8 | 139-6228 | 1 | Tank Support-Hydraulic | 24 | 104-7201 | 8 | Nut-HF, NI |
| 8:2 | 127-0392 | 1 | Decal-Hot Surface | 27 | 92-2379 | 2 | Clamp-Hose |
| 9 | 138-0441-03 | 1 | Bracket-Tank Hold Down, LH | 28 | 131-8402 | 2 | Strap-Down, Hold |
| 10 | 138-7315-03 | 1 | Bracket-Tank Hold Down, RH | 29 | 125-9171 | 1 | Cap-Fuel |
| 11 | 138-4404-03 | 1 | Tray-Tank/Battery | 30 | 138-7499 | 1 | Fitting-Strainer |
| 12 | 138-7365-03 | 1 | Bracket-Tank Mount, Front LH | 31 | 138-7388 | 1 | Dipstick |
| 14 | 126-4781 | 1 | Step-Deck | 32 | 94-8166 | 1 | O-Ring |
| 15 | 104-8301 | 19 | Nut-HF, NI | 33 | 93-7498 | 1 | Plug-Plastic |
| 16 | 3231-27 | 15 | Screw-CARR | 35 | 139-0940-03 | 1 | Bracket-Tank Mount, Front RH |
| | | | | 39 | 107-3154 | 6 | Nut-Push |
| | | | | 40 | 3231-22 | 4 | Screw-CARR |



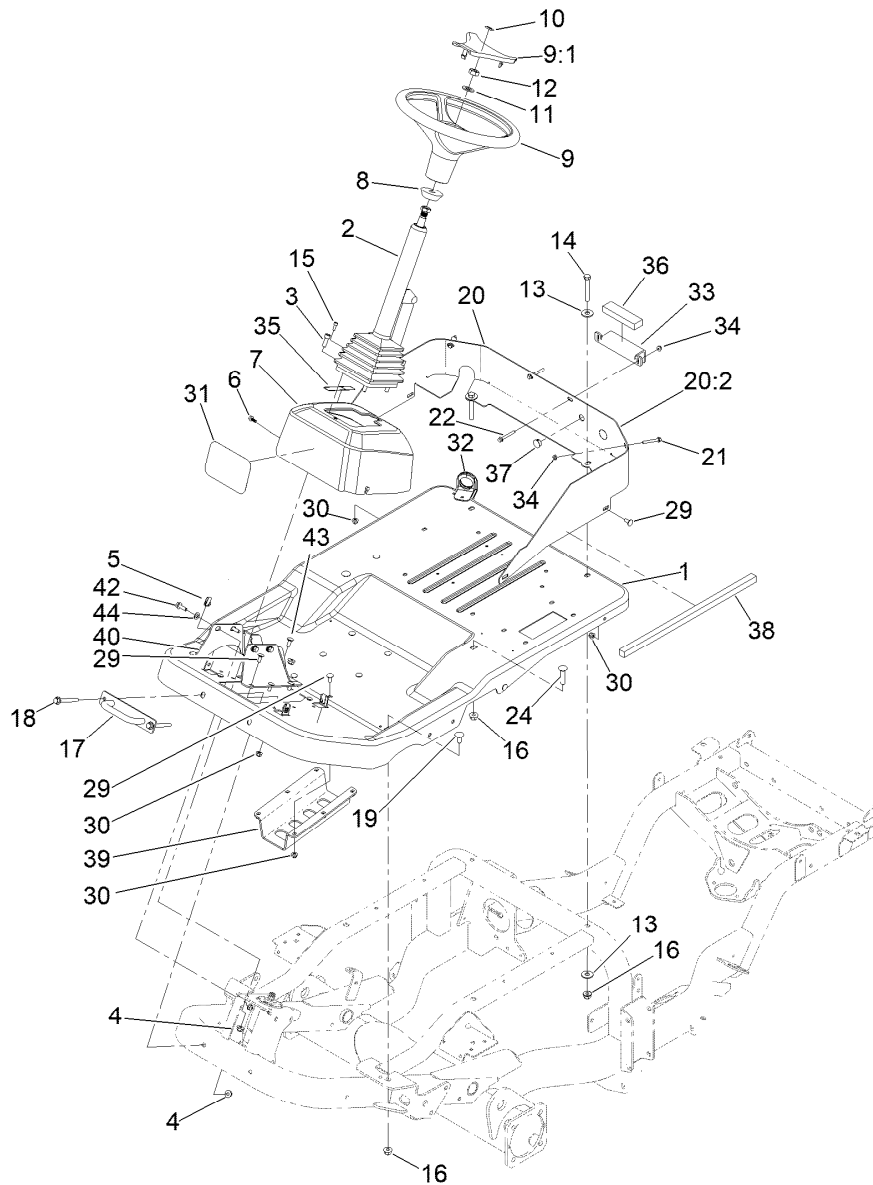
Fuel Tank Assembly No. 138-0291

| <i>Ref.</i> | <i>Part Number</i> | <i>Qty.</i> | <i>Description</i> |
|-------------|--------------------|-------------|-------------------------|
| 1 | 138-7385 | 1 | Fuel Tank W/Inserts ASM |
| 2 | 46-6560 | 3 | Bushing |
| 3 | 104-5228 | 1 | Fitting-Elbow, 90 DEG |
| 4 | 46-6550 | 1 | Fitting-Elbow, 90 DEG |
| 5 | 139-0872 | 1 | Gauge-Fuel |
| 5:1 | 119-0508 | 1 | Seal |
| 5:2 | 117-8404 | 1 | Dial-Gauge |
| 6 | 138-7389 | 1 | Pipe-Stand |



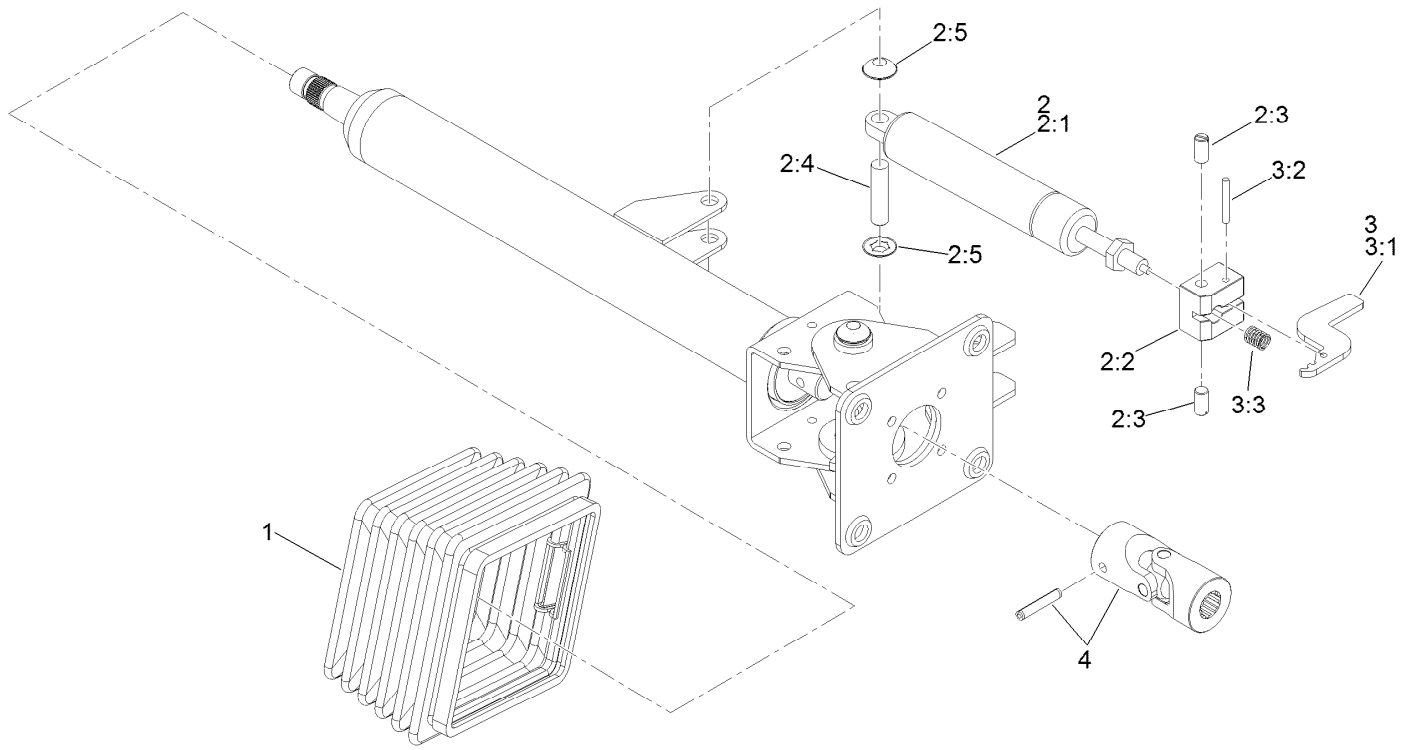
Hydraulic Tank Assembly No. 138-4418

| <i>Ref.</i> | <i>Part Number</i> | <i>Qty.</i> | <i>Description</i> |
|-------------|--------------------|-------------|--------------------------|
| 1 | 138-7386 | 1 | Tank-Hydraulic W/Inserts |
| 2 | 353-989 | 1 | Plug-Hex, Hollow |
| 2:1 | 237-42 | 1 | O-Ring |
| 3 | 104-0790 | 1 | Bushing |
| 4 | 46-6560 | 1 | Bushing |
| 5 | 138-7384 | 1 | Tube-Drop |
| 6 | 104-5228 | 1 | Fitting-Elbow, 90 DEG |
| 7 | 139-6333 | 1 | Fitting-Plug |
| 7:1 | 237-81 | 1 | O-Ring |
| 8 | 105-3921 | 1 | Fitting-Plug |
| 8:1 | 237-146 | 1 | O-Ring |



Platform, Steering and Console Assembly

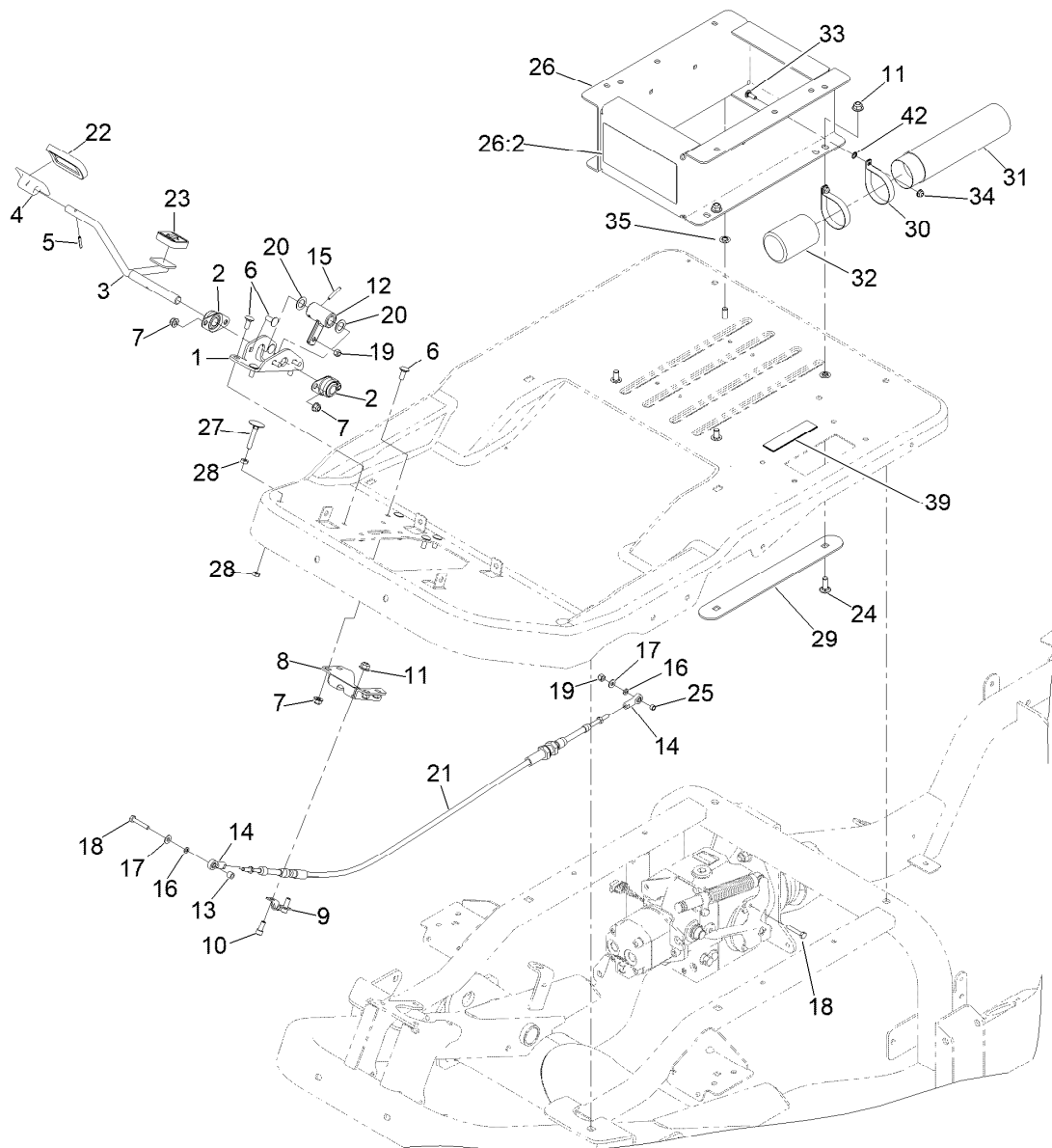
| Ref. | Part Number | Qty. | Description | Ref. | Part Number | Qty. | Description |
|------|-------------|------|-----------------------|------|-------------|------|---------------------------------|
| 1 | 144-4030SP | 1 | Platform-Stamped | 20:2 | 132-1316 | 2 | Decal-Danger, Belt |
| 2 | 139-0857 | 1 | Column-Steering, Tilt | 21 | 125-4287 | 2 | Screw-HHF |
| 3 | 3274-7 | 4 | Screw-HSH | 22 | 3234-34 | 2 | Screw-HHF |
| 4 | 104-8301 | 6 | Nut-HF, NI | 24 | 3232-5 | 2 | Screw-CARR |
| 5 | 107069 | 4 | Clip | 29 | 3230-23 | 15 | Bolt-CARR |
| 6 | 99-6810 | 4 | Screw-HHF | 30 | 104-8300 | 22 | Nut-HF, NI |
| 7 | 138-7494 | 1 | Cover-Steering | 31 | 105-1217 | 1 | Decal |
| 8 | 93-5429 | 1 | Collar-Foam | 32 | 144-0473 | 1 | Plug-Harness, Firewall |
| 9 | 98-1471 | 1 | Wheel-Steering | 33 | 139-2166-0P | 1 | Bracket-Hood Support |
| 9:1 | 98-1468 | 1 | Cover-Wheel, Steering | 34 | 104-7201 | 4 | Nut-HF, NI |
| 10 | 98-1459 | 1 | Decal | 35 | 140-1460 | 1 | Decal-Traction Pedal |
| 11 | 3256-27 | 1 | Washer-Flat | 36 | 139-6202 | 1 | Foam-Strip |
| 12 | 3296-33 | 1 | Nut-Lock, NI | 37 | 130-8439 | 1 | Plug-Dome |
| 13 | 3256-40 | 4 | Washer-Flat | 38 | 139-6207 | 1 | Foam-Strip |
| 14 | 324-12 | 2 | Screw-HH | 39 | 144-3954-03 | 1 | Guard-Tubes, Hydraulic |
| 15 | 105-2409 | 4 | Screw-HSH | 40 | 145-5983-0P | 1 | Bracket-Steering Mount [primed] |
| 16 | 114-8417 | 6 | Nut-HF, NI | 42 | 3234-29 | 4 | Screw-HHF |
| 17 | 138-0288 | 1 | Bracket-Down, Tie | 43 | 3230-10 | 1 | Bolt-CARR |
| 18 | 3234-41 | 2 | Screw-HHF | 44 | 3256-38 | 4 | Washer-Flat |
| 19 | 3232-1 | 2 | Screw-CARR | | | | |
| 20 | 144-0528 | 1 | Plate-Firewall, Lower | | | | |



Steering Column Assembly No. 139-0857

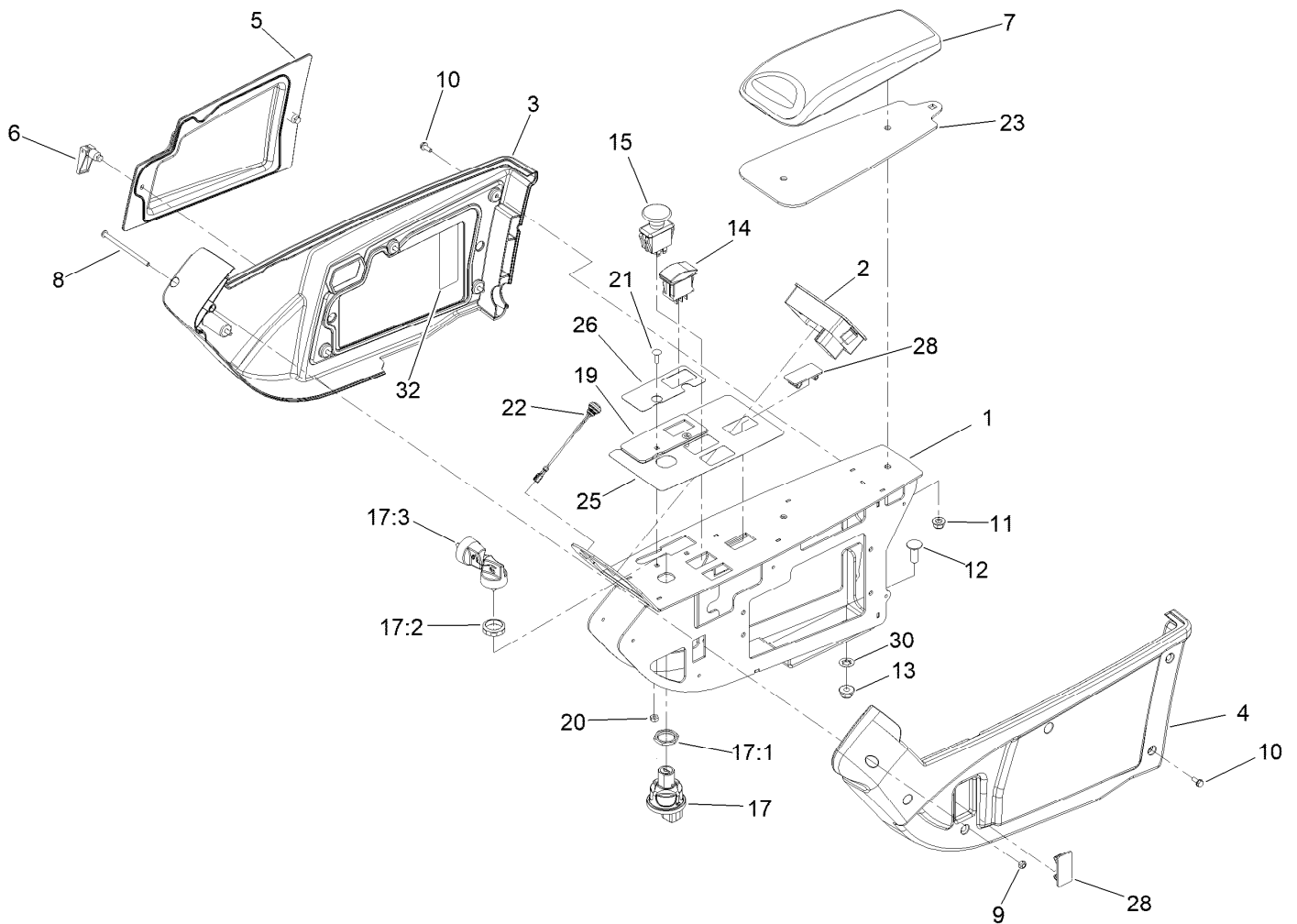
| Ref. | Part Number | Qty. | Description |
|------|-------------|------|----------------------|
| 1 | 110-6462 | 1 | Bellows-Rubber |
| 2 | 110-6463 | 1 | Cylinder Service Kit |
| 2:1 | | 1 | Cylinder-Gas ● |
| 2:2 | | 1 | Block-Pedal ● |
| 2:3 | | 2 | Bolt ● |
| 2:4 | | 1 | Pin ● |
| 2:5 | | 2 | Washer-Lock ● |
| 3 | 136-4385 | 1 | Pedal Service Kit |
| 3:1 | | 1 | Pedal ● |
| 3:2 | | 1 | Pin ● |
| 3:3 | | 1 | Spring ● |
| 4 | 120-6256 | 1 | Universal Joint Kit |

● Not serviced separately



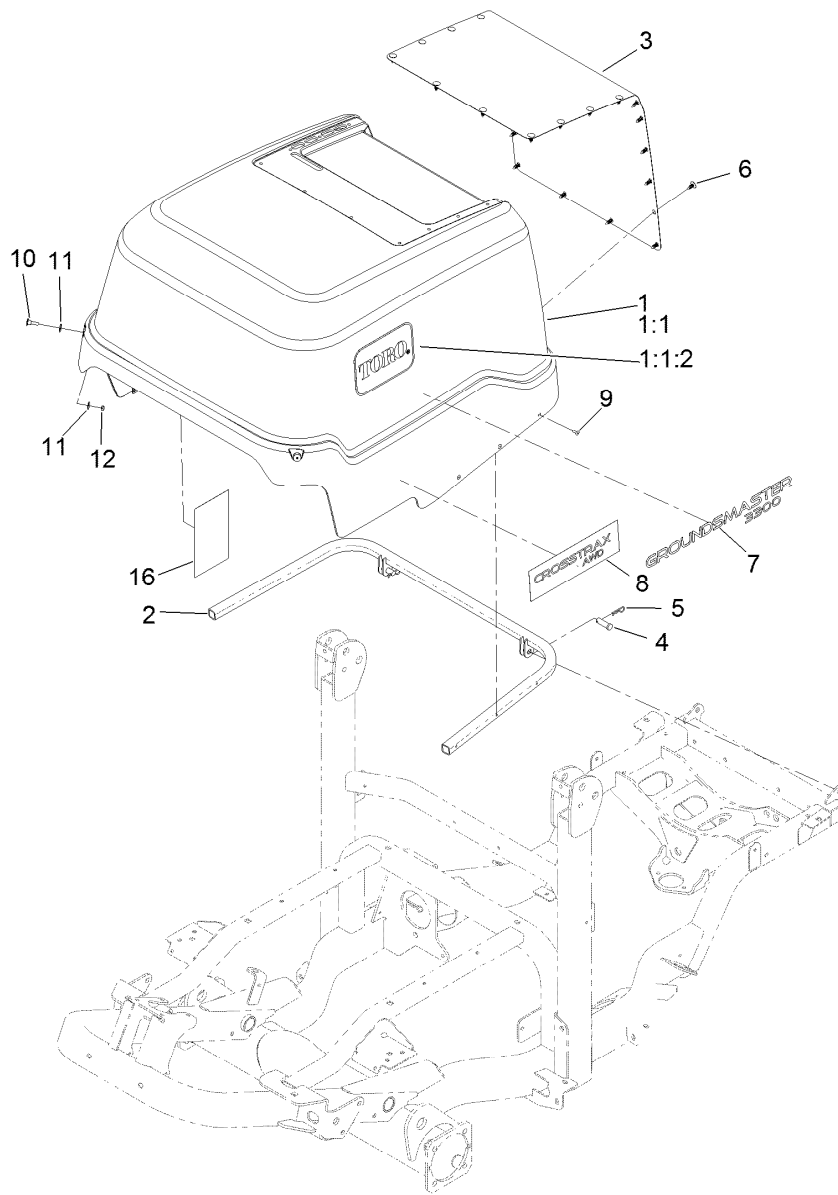
Traction Pedal Assembly

| Ref. | Part Number | Qty. | Description | Ref. | Part Number | Qty. | Description |
|------|-------------|------|-------------------------|------|-------------|------|-----------------------|
| 1 | 138-7477-01 | 1 | Bracket-Pedal, Traction | 20 | 137-2601 | 2 | Washer |
| 2 | 256-236 | 2 | Bearing-Mount, Flange | 21 | 137-2568 | 1 | Traction-Cable |
| 3 | 138-4594 | 1 | Pedal-Traction | 22 | 74-9100 | 1 | Pad-Pedal, Forward |
| 4 | 117-9507 | 1 | Pedal-Accelerator | 23 | 74-9110 | 1 | Pad-Pedal, Reverse |
| 5 | 32121-45 | 1 | Pin-Spring | 24 | 3231-22 | 4 | Screw-CARR |
| 6 | 3230-23 | 12 | Bolt-CARR | 25 | 130-9691 | 1 | Spacer |
| 7 | 104-8300 | 12 | Nut-HF, NI | 26 | 139-6221 | 1 | Seat Box ASM |
| 8 | 138-7446-01 | 1 | Bracket-Cable, Traction | 26:2 | 139-6215 | 1 | Decal-Warning |
| 9 | 93-2092 | 1 | Clamp-Cable | 27 | 115-8240 | 1 | Screw-Elevator |
| 10 | 3274-10 | 2 | Screw-HSH | 28 | 3218-2 | 2 | Nut-Hex Jam |
| 11 | 104-8301 | 6 | Nut-HF, NI | 29 | 138-7422-0P | 2 | Strip-Seat Mount |
| 12 | 117-5199 | 1 | Hub-Pedal, Traction | 30 | 107-1865 | 2 | R-Clamp |
| 13 | 66-8010 | 1 | Spacer | 31 | 104-7050 | 1 | Tube-Manual |
| 14 | 2411-41 | 2 | Rod End-Ball Joint | 32 | 104-7048 | 1 | Cap-Housing |
| 15 | 32121-6 | 1 | Pin-Roll, Slotted | 33 | 1-807512 | 2 | Bolt-CARR |
| 16 | 33093-00 | 2 | Washer-Flat | 34 | 104-7201 | 2 | Nut-HF, NI |
| 17 | 3256-22 | 2 | Washer-Flat | 35 | 107-3154 | 4 | Nut-Push |
| 18 | 321-9 | 2 | Screw-HH | 39 | 133-8062 | 1 | Decal-Arrestor, Spark |
| 19 | 3296-42 | 2 | Nut-Lock, NI | 42 | 32115-15 | 2 | Nut-Push |



Control Console Assembly

| <i>Ref.</i> | <i>Part Number</i> | <i>Qty.</i> | <i>Description</i> | <i>Ref.</i> | <i>Part Number</i> | <i>Qty.</i> | <i>Description</i> |
|-------------|--------------------|-------------|---------------------------------|-------------|--------------------|-------------|---------------------------|
| 1 | 133-6406-03 | 1 | Panel | 15 | 93-9999 | 1 | Switch-PTO |
| 2 | 132-9751 | 1 | Tdm 2001 | 17 | 121-5159 | 1 | Switch-Ignition |
| 3 | 108-7605 | 1 | Cover-RH | 17:1 | 121-5160 | 1 | Nut-Hex |
| 4 | 108-7604 | 1 | Cover-LH | 17:2 | 122-2704 | 1 | Nut-Face, M22 (Plastic) |
| 5 | 108-7616 | 1 | Panel-Access | 17:3 | 121-5162 | 1 | Set-Key, Ignition |
| 6 | 74-5950 | 2 | Latch-Swell | 19 | 137-2511 | 1 | Cover-Throttle, Switch |
| 7 | 131-9637 | 1 | Armrest-Quick Find | 20 | 3296-2 | 2 | Nut-Lock, NI |
| 8 | 3250-22 | 1 | Screw-PPH | 21 | 1-807533 | 2 | Bolt-CARR |
| 9 | 3296-12 | 1 | Nut-Lock, NI | 22 | 136-9678 | 1 | Switch-Pushbutton |
| 10 | 32144-112 | 10 | Screw-HWH | 23 | 138-4548-03 | 1 | Plate-Spacer, Console Pad |
| 11 | 104-8300 | 2 | Nut-HF, NI | 25 | 138-7471 | 1 | Decal-Console |
| 12 | 3231-22 | 2 | Screw-CARR | 26 | 138-7472 | 1 | Decal-Throttle |
| 13 | 104-8301 | 2 | Nut-HF, NI | 28 | 99-7420 | 2 | Plug-Hole |
| 14 | 100-1535 | 2 | Switch-Rocker, (On)-Off-(On) | 30 | 107-3154 | 2 | Nut-Push |
| | | | | 32 | 140-3126 | 1 | Decal-Fuse |

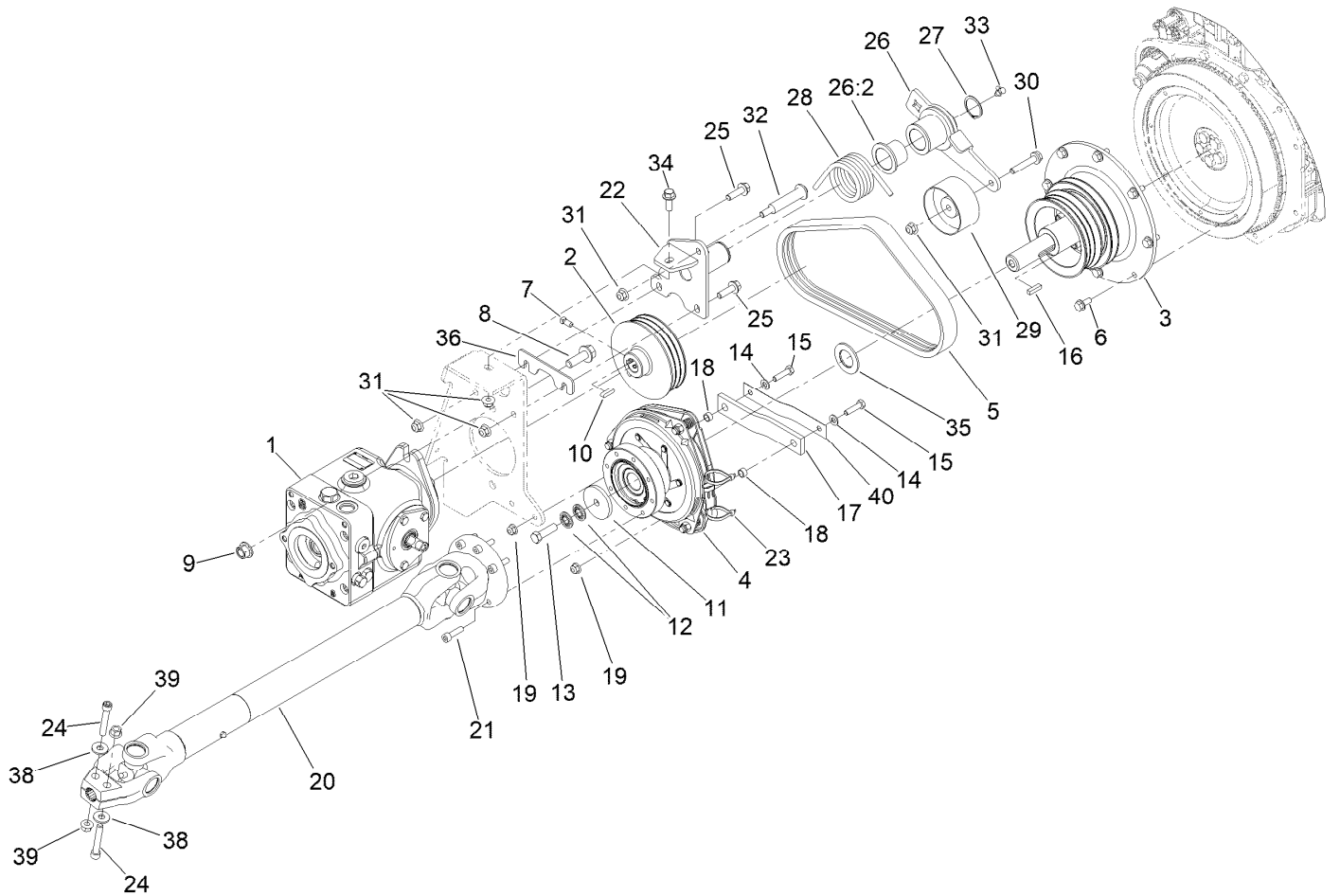


Hood Assembly

| Ref. | Part Number | Qty. | Description | Ref. | Part Number | Qty. | Description |
|-------|-------------|------|-------------------------|------|-------------|------|-------------------------|
| 1 | 138-7330SP | 1 | Hood | 5 | 3290-467 | 2 | Pin-Hair |
| 1:1 | | 1 | Hood ASM ■ | 6 | 117-2382 | 24 | Plug-Plastic |
| 1:1:2 | 62-7400 | 2 | Decal-Toro Logo | 7 | 139-6153 | 2 | Decal-Identification |
| 1:2 | 139-6225 | 1 | Tape-Heat, Hood Front ● | 8 | 110-8859 | 2 | Decal |
| 1:3 | 139-6226 | 1 | Tape-Heat, Hood Rear ● | 9 | 114439 | 10 | Rivet-Blind |
| 1:4 | 139-6227 | 1 | Tape-Heat, Hood Side ● | 10 | 139-0855 | 2 | Screw-Countersunk, Oval |
| 2 | 138-7331-03 | 1 | Support-Hood | 11 | 3256-2 | 4 | Washer-Flat |
| 3 | 138-7474-03 | 1 | Screen-Cooler | 12 | 3296-56 | 2 | Nut-Lock, NI |
| 4 | 283-68 | 2 | Pin-Clevis | 16 | 139-6218 | 1 | Decal-Service, Gm3300 |

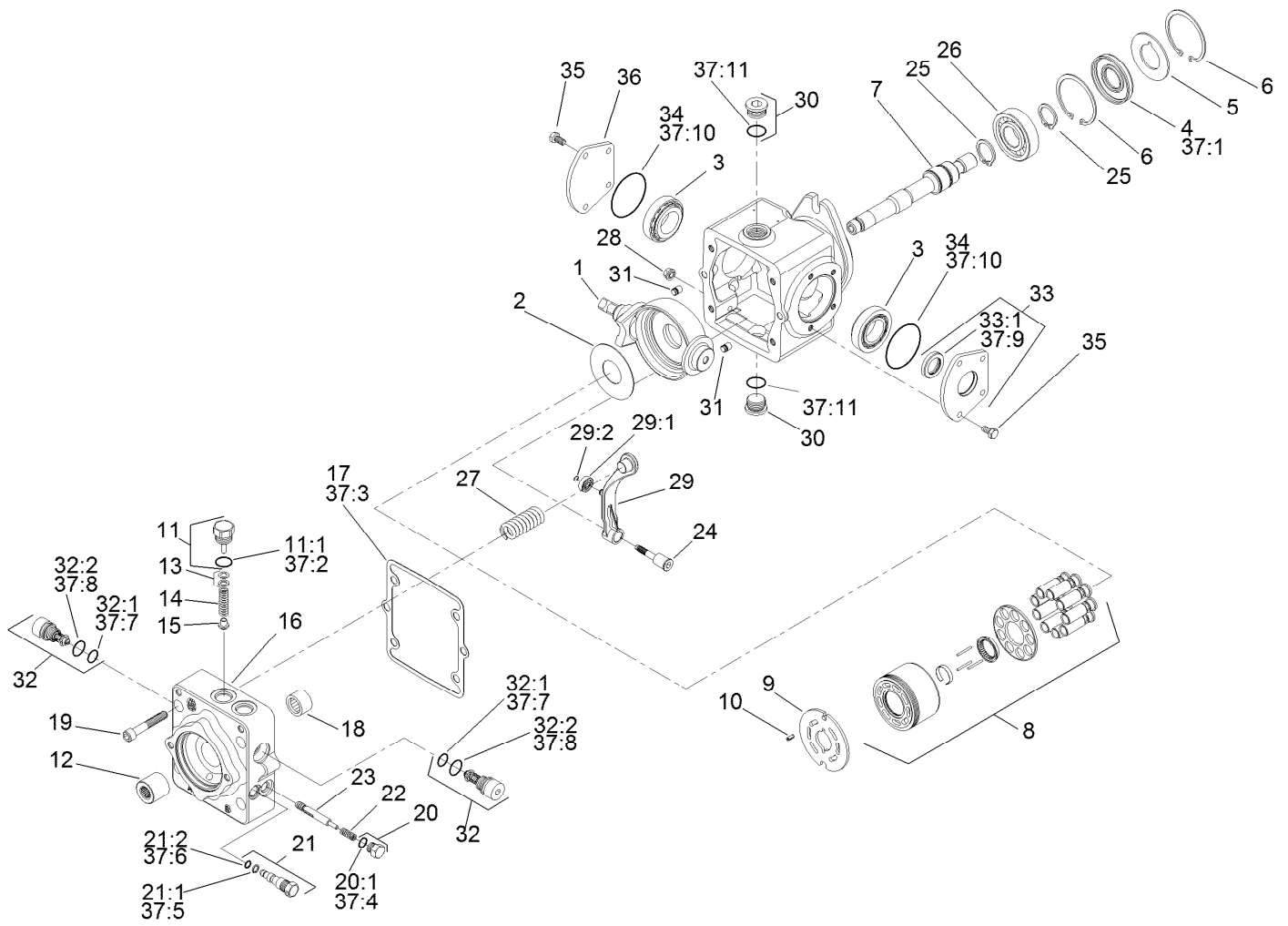
● Not illustrated

■ Not serviced separately



Hydraulic PTO Assembly

| Ref. | Part Number | Qty. | Description | Ref. | Part Number | Qty. | Description |
|------|-------------|------|--------------------------|------|-------------|------|------------------------|
| 1 | 138-0305 | 1 | Variable Piston Pump ASM | 21 | 144-0452 | 6 | Screw-Hex Socket |
| 2 | 139-6257 | 1 | Pulley-3/3V | 22 | 140-3091 | 1 | Idler Pivot ASM |
| 3 | 139-6258 | 1 | Stubshaft-3/3V | 23 | 3290-378 | 2 | Tie-Cable |
| 4 | 144-4013 | 1 | Clutch-Gt5 | 24 | 131-8591 | 2 | Screw-HSH |
| 5 | 139-6259 | 1 | Belt-3/3V | 25 | 119-4061 | 2 | Screw-HHF |
| 6 | 138-0690 | 8 | Screw-HH | 26 | 140-6179 | 1 | Idler Arm ASM |
| 7 | 1-803022 | 2 | Screw-Set | 26:2 | 93-4510 | 2 | Bushing-Caster |
| 8 | 100-6116 | 2 | Screw-HHF | 27 | 32120-84 | 1 | Ring-Snap, External |
| 9 | 99-5107 | 2 | Nut-Lock | 28 | 140-3102 | 1 | Spring-Torsion |
| 10 | 94-3645 | 1 | Key | 29 | 140-3101 | 1 | Pulley-Flat |
| 11 | 139-6238 | 1 | Washer | 30 | 108-3742 | 1 | Screw-HHF |
| 12 | 1-603610 | 2 | Washer-Spring | 31 | 104-8301 | 5 | Nut-HF, NI |
| 13 | 109-9761 | 1 | Screw-HH | 32 | 112-3977 | 1 | Bolt-Shoulder |
| 14 | 3256-23 | 2 | Washer-Plain | 33 | 302-40 | 1 | Fitting-Grease, 90 DEG |
| 15 | 322-6 | 2 | Screw-HH | 34 | 3234-42 | 1 | Screw-HHF |
| 16 | 1-807259 | 1 | Key | 35 | 139-6239 | 1 | Washer |
| 17 | 139-6278 | 1 | Strap-Clutch Stop | 36 | 144-4046 | 1 | Shim-Pivot |
| 18 | 65-9820 | 2 | Spacer | 38 | 80-6990 | 2 | Washer-Hardened |
| 19 | 104-8300 | 3 | Nut-HF, NI | 39 | 32128-36 | 2 | Nut-HF |
| 20 | 144-0521SP | 1 | Driveshaft ASM | 40 | 144-4025 | 1 | Strip-Steel, Spring |

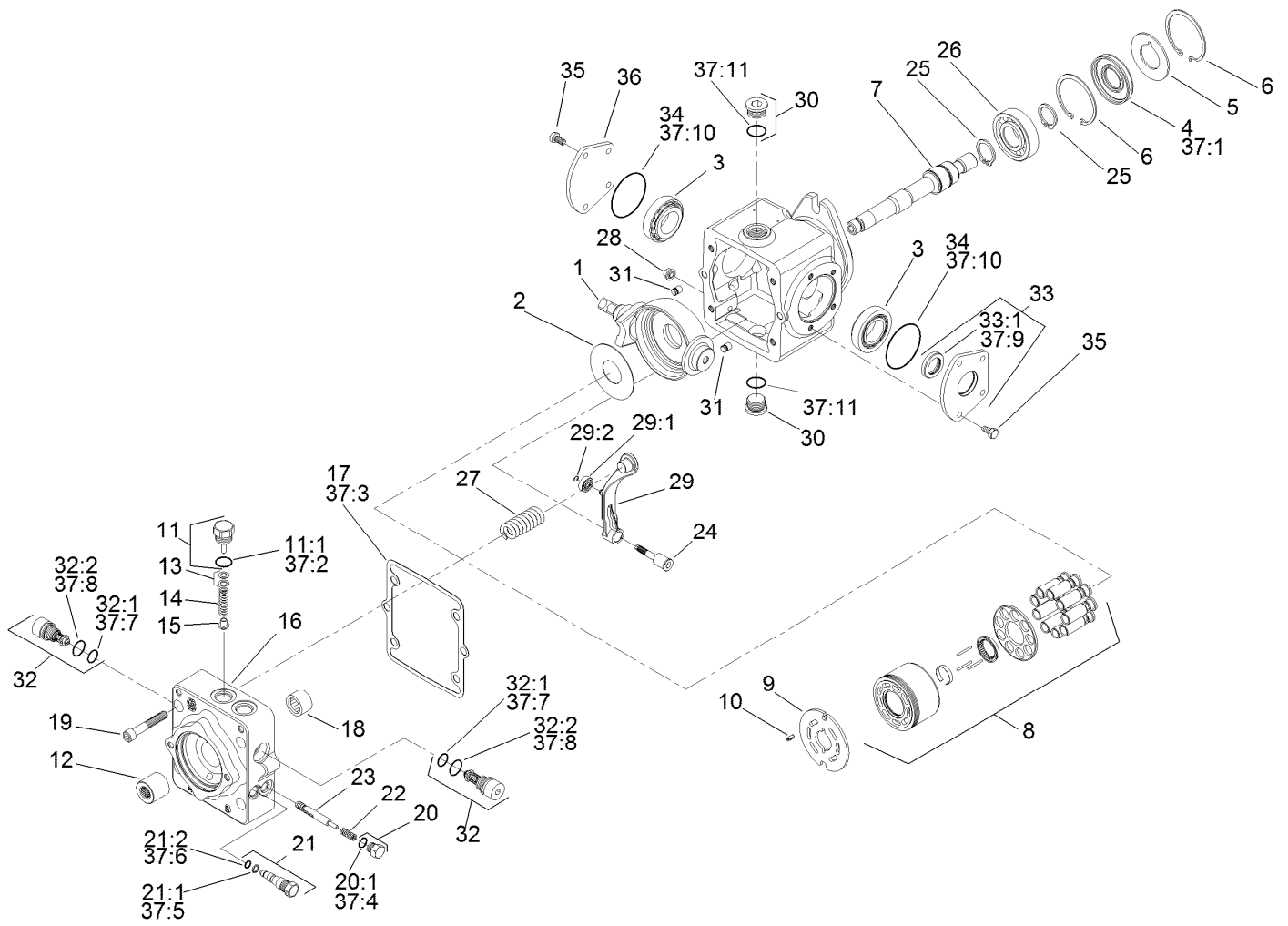


Variable Piston Pump Assembly No. 138-0305

| Ref. | Part Number | Qty. | Description | Ref. | Part Number | Qty. | Description |
|------|-------------|------|------------------------|------|-------------|------|------------------------|
| 1 | 140-3111 | 1 | Plate-Swash | 18 | 75-0500 | 1 | Bearing-Needle |
| 2 | 75-0400 | 1 | Plate-Thrust | 19 | 110-6489 | 4 | Screw |
| 3 | 110-6483 | 2 | Bearing Kit | 20 | 94-9415 | 2 | Plug ASM |
| 4 | 110-6471 | 1 | Seal-Lip | 20:1 | | 1 | O-Ring ■ |
| 5 | 95-4400 | 1 | Washer-Backup | 21 | 107-4364 | 1 | Bypass Valve ASM |
| 6 | 131-8616 | 2 | Ring-Retaining | 21:1 | 25-2630 | 1 | Ring-Back Up |
| 7 | 140-3113 | 1 | Shaft | 21:2 | 110-6498 | 1 | O-Ring |
| 8 | 110-6472 | 1 | Cylinder Block Kit ASM | 22 | 140-3116 | 2 | Spring |
| 9 | 140-3114 | 1 | Plate-Valve, CW | 23 | 110-6492 | 1 | Spool-Loop, Flush |
| 10 | 131-3800 | 1 | Pin-Slotted | 24 | 110-6493 | 1 | Pivot-Return, Neutral |
| 11 | 110-6486 | 1 | Plug-Relief, Charge | 25 | 125-5280 | 2 | Ring-Retaining |
| 11:1 | 28-3570 | 1 | O-Ring | 26 | 75-0460 | 1 | Bearing-Ball |
| 12 | 140-3122 | 1 | Coupling | 27 | 140-3117 | 1 | Spring-Neutral Return |
| 13 | 140-3115 | 1 | Shim Kit | 28 | 110-6496 | 1 | Nut-Seal |
| 14 | 110-6474 | 1 | Spring | 29 | 110-6497 | 1 | Neutral Return Arm ASM |
| 15 | 110-6475 | 1 | Poppet | 29:1 | 110-6494 | 1 | Bearing-Cam |
| 16 | 115-8087 | 1 | Cap-End | 29:2 | 110-3056 | 1 | Ring-Retaining |
| 17 | 110-6476 | 1 | Gasket-Cap, End | 30 | 69-3130 | 2 | Plug |

● Not illustrated

■ Not serviced separately

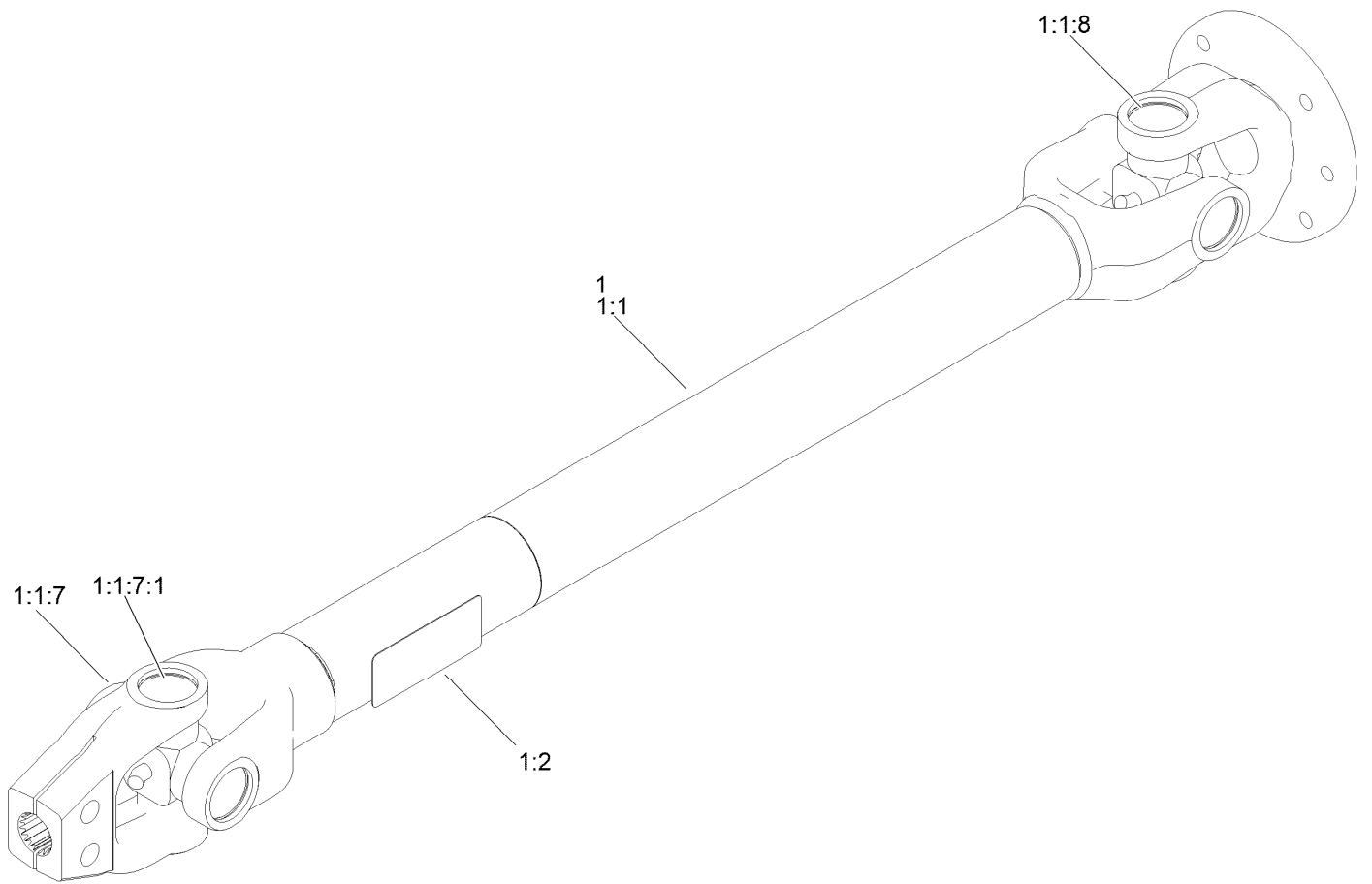


Variable Piston Pump Assembly No. 138-0305 (continued)

| Ref. | Part Number | Qty. | Description | Ref. | Part Number | Qty. | Description |
|------|-------------|------|--------------------|-------|-------------|------|-----------------|
| 31 | 112-0158 | 2 | Pin | 37:2 | 28-3570 | 1 | O-Ring |
| 32 | 110-6477 | 2 | Valve-Relief | 37:3 | 110-6476 | 1 | Gasket-Cap, End |
| 32:1 | 75-0240 | 1 | O-Ring ● | 37:4 | 131-8631 | 2 | O-Ring |
| 32:2 | 84-0560 | 1 | O-Ring ● | 37:5 | 25-2630 | 1 | Ring-Back Up |
| 33 | 110-6499 | 1 | Trunnion Cover ASM | 37:6 | 110-6498 | 1 | O-Ring |
| 33:1 | 110-6478 | 1 | Seal-Lip | 37:7 | 75-0240 | 2 | O-Ring |
| 34 | 84-0430 | 2 | O-Ring | 37:8 | 84-0560 | 2 | O-Ring |
| 35 | 112-0151 | 8 | Screw | 37:9 | 110-6478 | 1 | Seal-Lip |
| 36 | 84-0440 | 1 | Cover-Trunnion | 37:10 | 84-0430 | 2 | O-Ring |
| 37 | 110-6481 | 1 | Seal Kit ● | 37:11 | 131-8614 | 2 | O-Ring |
| 37:1 | 110-6471 | 1 | Seal-Lip | | | | |

● Not illustrated

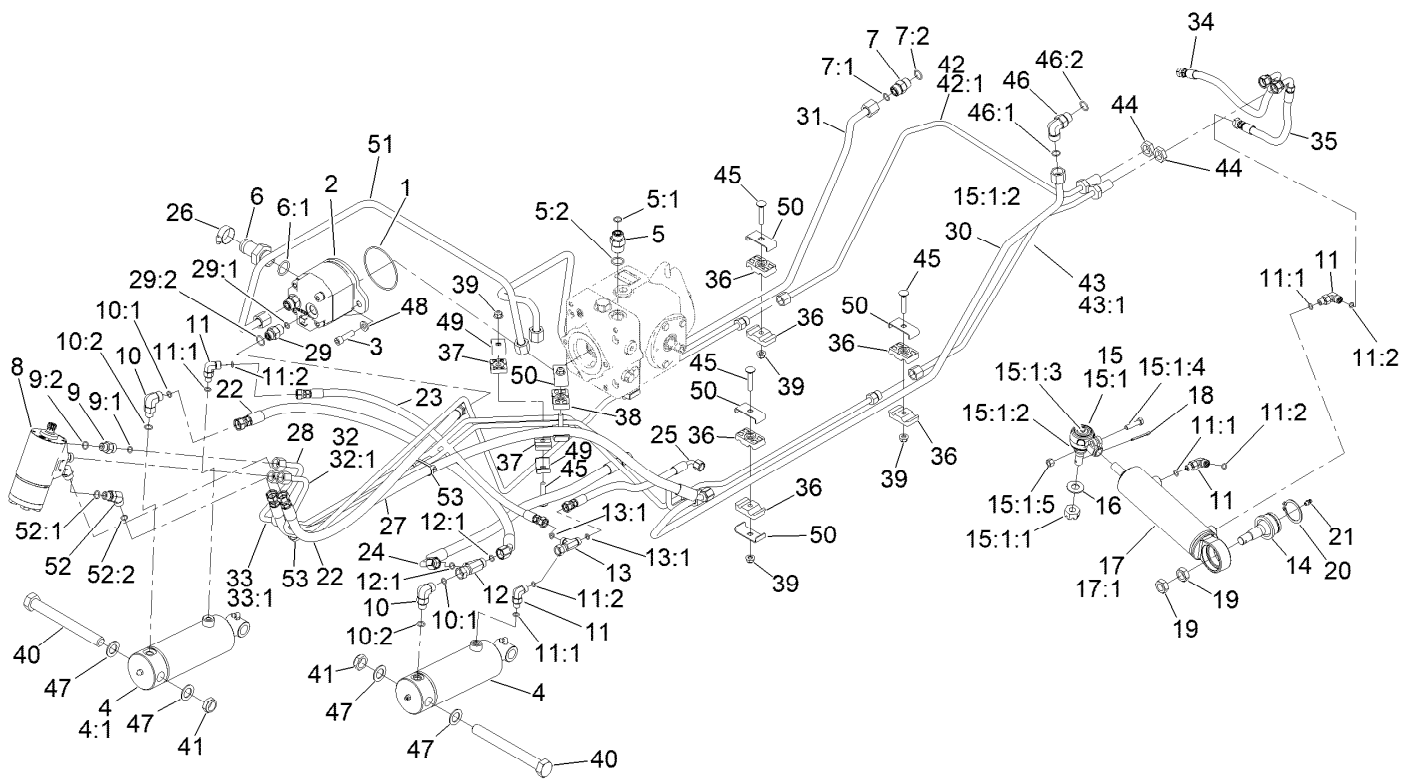
■ Not serviced separately



Driveshaft Assembly No. 144-0521SP

| Ref. | Part Number | Qty. | Description |
|---------|-------------|------|------------------------------|
| 1 | | 1 | Driveshaft ASM ● |
| 1:1 | | 1 | Shaft-Drive, Jdl ● |
| 1:1:7 | | 1 | Yoke-Splined W/Cross Joint ● |
| 1:1:7:1 | 144-0550 | 1 | Bearing-Cross Joint |
| 1:1:8 | 144-0550 | 1 | Bearing-Cross Joint |
| 1:2 | 139-6304 | 1 | Decal-Danger, Entanglement |

● Not serviced separately

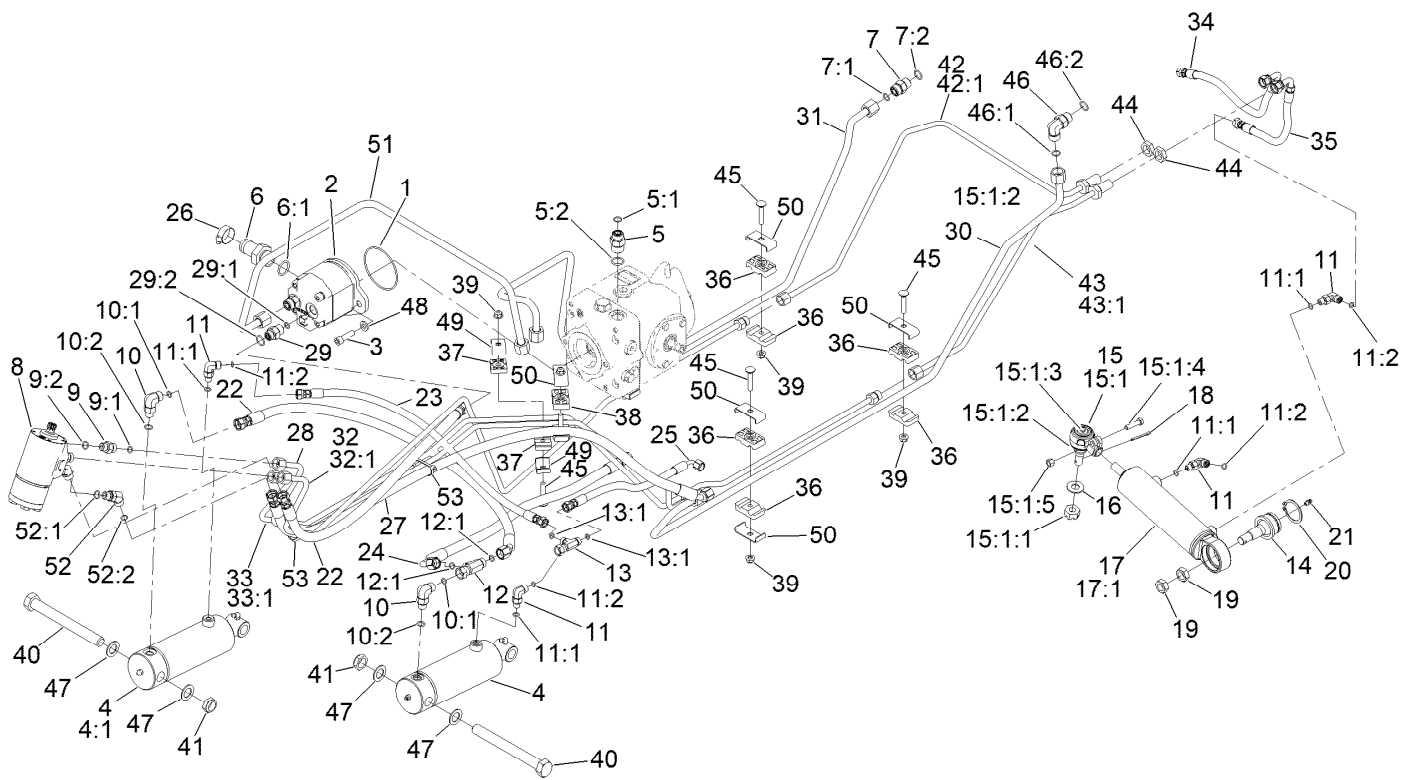


Hydraulic Assembly

| Ref. | Part Number | Qty. | Description | Ref. | Part Number | Qty. | Description |
|------|-------------|------|-----------------------|--------|-------------|------|-----------------------|
| 1 | 237-161 | 1 | O-Ring | 10:1 | 237-22 | 1 | O-Ring |
| 2 | 138-0321 | 1 | Pump-Gear | 10:2 | 237-42 | 1 | O-Ring |
| 3 | 3274-1 | 2 | Screw-HSH | 11 | 340-132 | 4 | Fitting-Elbow, 90 DEG |
| 4 | 139-0854 | 2 | Cylinder-Hydraulic | 11:1 | 237-78 | 1 | O-Ring |
| 4:1 | 140-3110 | 1 | Kit-Seal ● | 11:2 | 237-21 | 1 | O-Ring |
| 5 | 340-6 | 1 | Fitting-Straight | 12 | 340-115 | 1 | Fitting-Tee |
| 5:1 | 237-30 | 1 | O-Ring | 12:1 | 237-22 | 2 | O-Ring |
| 5:2 | 237-80 | 1 | O-Ring | 13 | 340-151 | 1 | Fitting-Tee |
| 6 | 99-3017 | 1 | Fitting | 13:1 | 237-21 | 2 | O-Ring |
| 6:1 | 237-81 | 1 | O-Ring | 14 | 106-6774 | 1 | Joint-Ball |
| 7 | 340-4 | 2 | Fitting-Straight | 15 | 106-6895-03 | 1 | Ball Joint ASM |
| 7:1 | 237-30 | 1 | O-Ring | 15:1 | | 1 | Joint-Ball ■ |
| 7:2 | 237-79 | 1 | O-Ring | 15:1:1 | 32136-13 | 1 | Nut-SHH |
| 8 | 114-8119 | 1 | Steering Valve ASM | 15:1:2 | 106-6896 | 1 | Seal |
| 9 | 340-2 | 3 | Fitting-Straight | 15:1:3 | 302-5 | 1 | Fitting-Grease |
| 9:1 | 237-22 | 1 | O-Ring | 15:1:4 | 3210-7 | 1 | Screw-HH |
| 9:2 | 237-42 | 1 | O-Ring | 15:1:5 | 32152-5 | 1 | Nut-Hex |
| 10 | 340-77 | 2 | Fitting-Elbow, 90 DEG | 16 | 69-8980 | 1 | Washer |

● Not illustrated

■ Not serviced separately

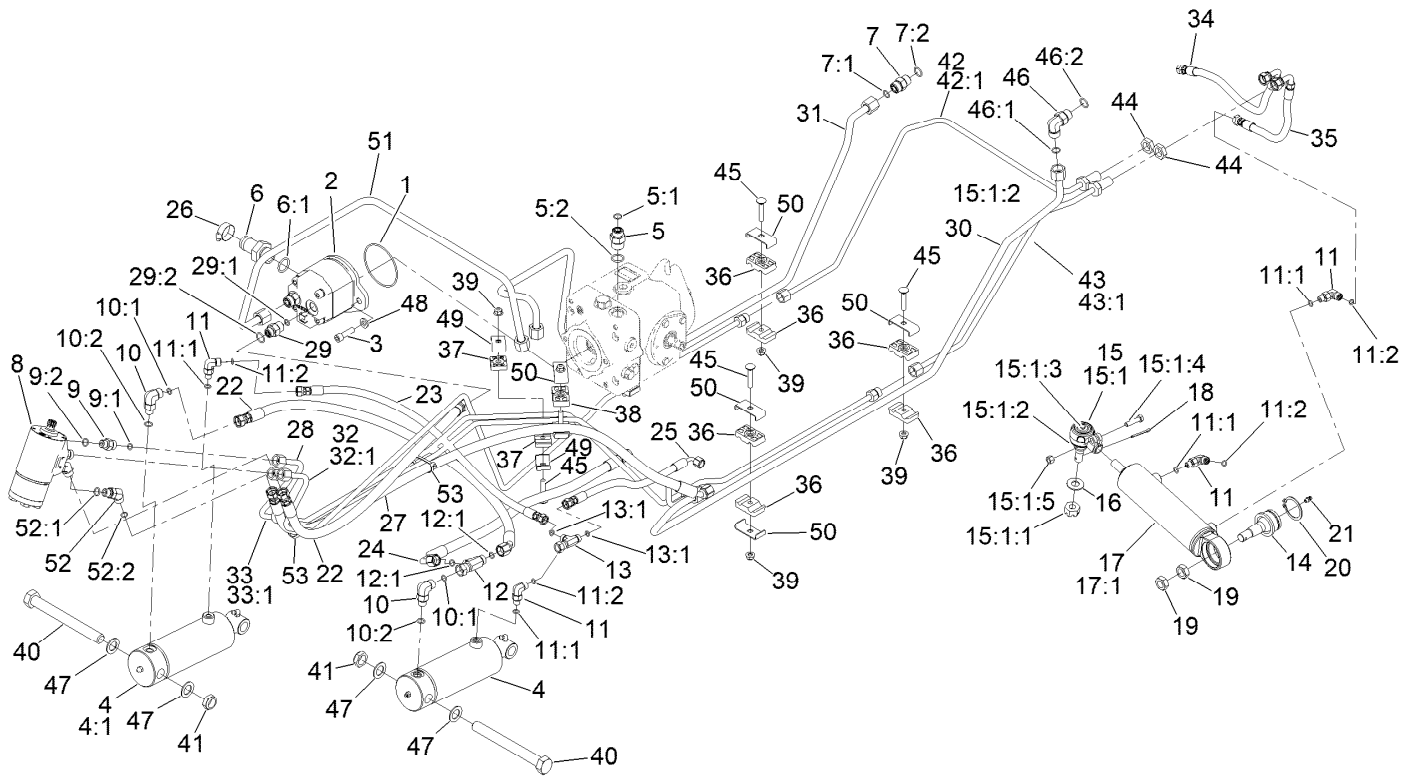


Hydraulic Assembly (continued)

| Ref. | Part Number | Qty. | Description | Ref. | Part Number | Qty. | Description |
|------|-------------|------|--------------------------|------|-------------|------|--------------------|
| 17 | 139-6277 | 1 | Steering Cylinder | 32 | 138-0333 | 1 | Hydraulic Tube ASM |
| 17:1 | 140-3120 | 1 | Kit-Seal ● | 32:1 | 237-22 | 1 | O-Ring |
| 18 | 3272-12 | 1 | Pin-Cotter | 33 | 138-0336 | 1 | Hydraulic Tube ASM |
| 19 | 3220-6 | 2 | Nut-Jam | 33:1 | 237-22 | 1 | O-Ring |
| 20 | 32151-104 | 1 | Ring-Retaining, External | 34 | 115-0383 | 1 | Hose ASM |
| 21 | 302-5 | 1 | Fitting-Grease | 35 | 137-2584 | 1 | Hose ASM |
| 22 | 137-5844 | 2 | Hose ASM | 36 | 56-7972 | 8 | Clamp-Tube |
| 23 | 137-5845 | 1 | Hose ASM | 37 | 56-7973 | 2 | Clamp-Tube |
| 24 | 137-5846 | 1 | Hose ASM | 38 | 56-7970 | 2 | Clamp-Tube |
| 25 | 137-5847 | 1 | Hose ASM | 39 | 104-8300 | 6 | Nut-HF, NI |
| 26 | 2412-34 | 1 | Clamp-Hose | 40 | 328-23 | 2 | Screw-HH |
| 27 | 140-3097 | 1 | Hose ASM | 41 | HDW02059 | 2 | Nut-Hex |
| 28 | 138-0331 | 1 | Hydraulic Tube ASM | 42 | 138-0343 | 1 | Hydraulic Tube ASM |
| 29 | 340-3 | 1 | Fitting-Straight | 42:1 | 237-22 | 1 | O-Ring |
| 29:1 | 237-22 | 1 | O-Ring | 43 | 138-0344 | 1 | Hydraulic Tube ASM |
| 29:2 | 237-79 | 1 | O-Ring | 43:1 | 237-22 | 1 | O-Ring |
| 30 | 138-7448 | 1 | Hydraulic Tube ASM | 44 | 340-70 | 2 | Nut-Lock |
| 31 | 138-7447 | 1 | Hydraulic Tube ASM | 45 | 3230-5 | 6 | Bolt-CARR |

● Not illustrated

■ Not serviced separately

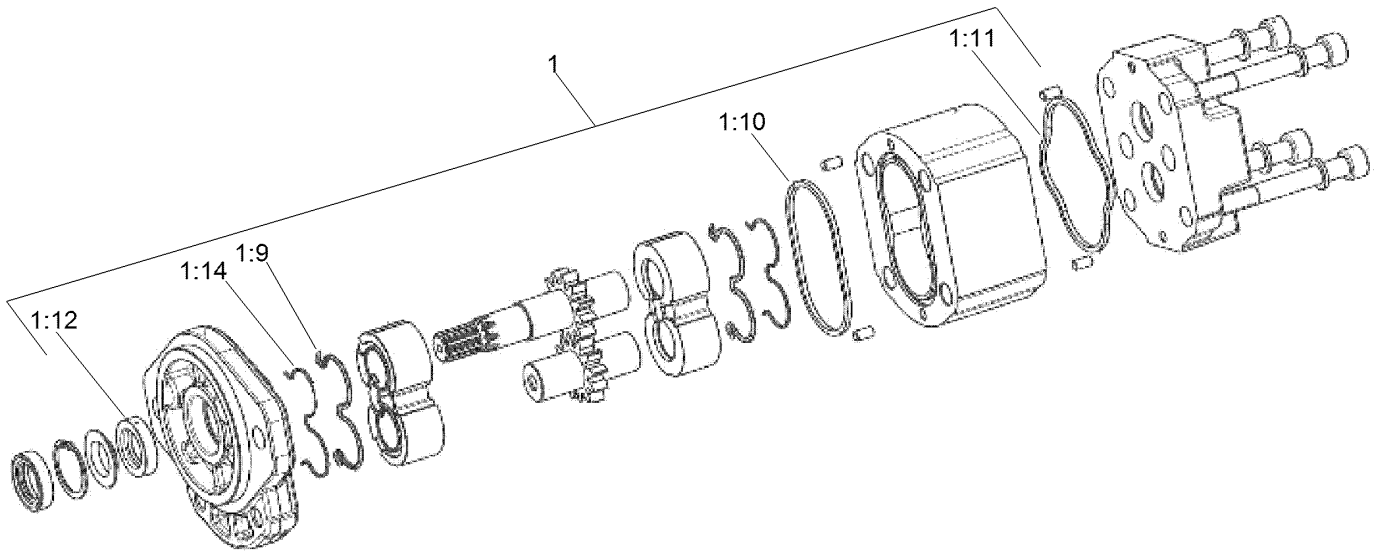


Hydraulic Assembly (continued)

| Ref. | Part Number | Qty. | Description | Ref. | Part Number | Qty. | Description |
|------|-------------|------|-----------------------|------|-------------|------|-----------------------|
| 46 | 340-98 | 1 | Fitting-Elbow, 90 DEG | 50 | 119-1419 | 8 | Plate-Clamp |
| 46:1 | 237-79 | 1 | O-Ring | 51 | 138-0342 | 1 | Hydraulic Tube ASM |
| 46:2 | 237-30 | 1 | O-Ring | 52 | 340-87 | 2 | Fitting-Elbow, 45 DEG |
| 47 | 126-7888 | 4 | Washer-Nylon | 52:1 | 237-22 | 1 | O-Ring |
| 48 | 139-6293 | 2 | Washer | 52:2 | 237-42 | 1 | O-Ring |
| 49 | 119-1418 | 2 | Plate-Clamp, Short | 53 | 3290-378 | 2 | Tie-Cable |

● Not illustrated

■ Not serviced separately

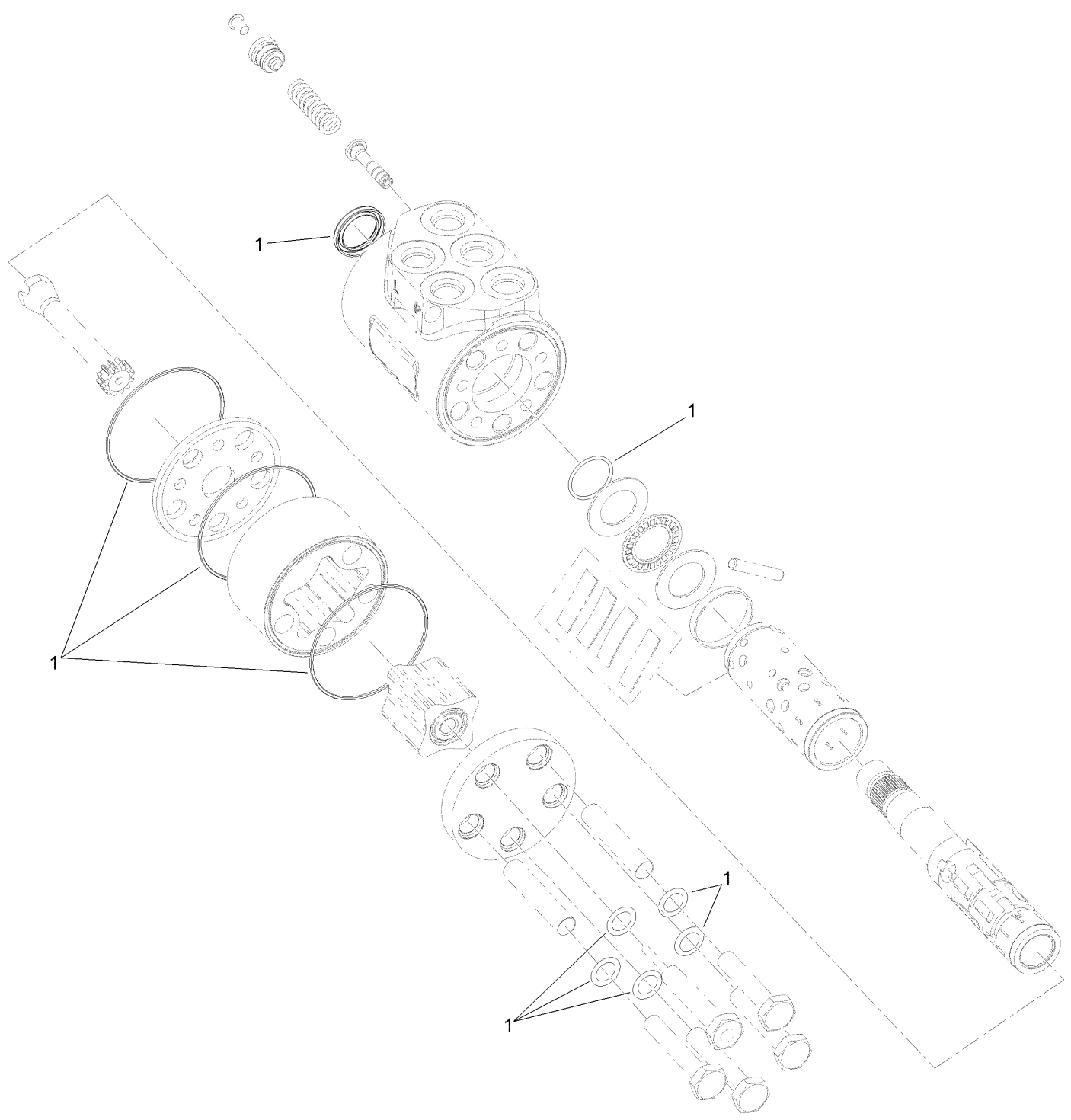


Gear Pump Assembly No. 138-0321

| <i>Ref.</i> | <i>Part Number</i> | <i>Qty.</i> | <i>Description</i> |
|-------------|--------------------|-------------|--------------------|
| 1 | 139-6299 | 1 | Kit-Seal |
| 1:9 | | 1 | Seal ● |
| 1:10 | | 1 | Seal-Standard ● |
| 1:11 | | 1 | Seal-Square ● |
| 1:12 | | 1 | Seal-Shaft ● |
| 1:14 | | 1 | Anti Extrusion ● |

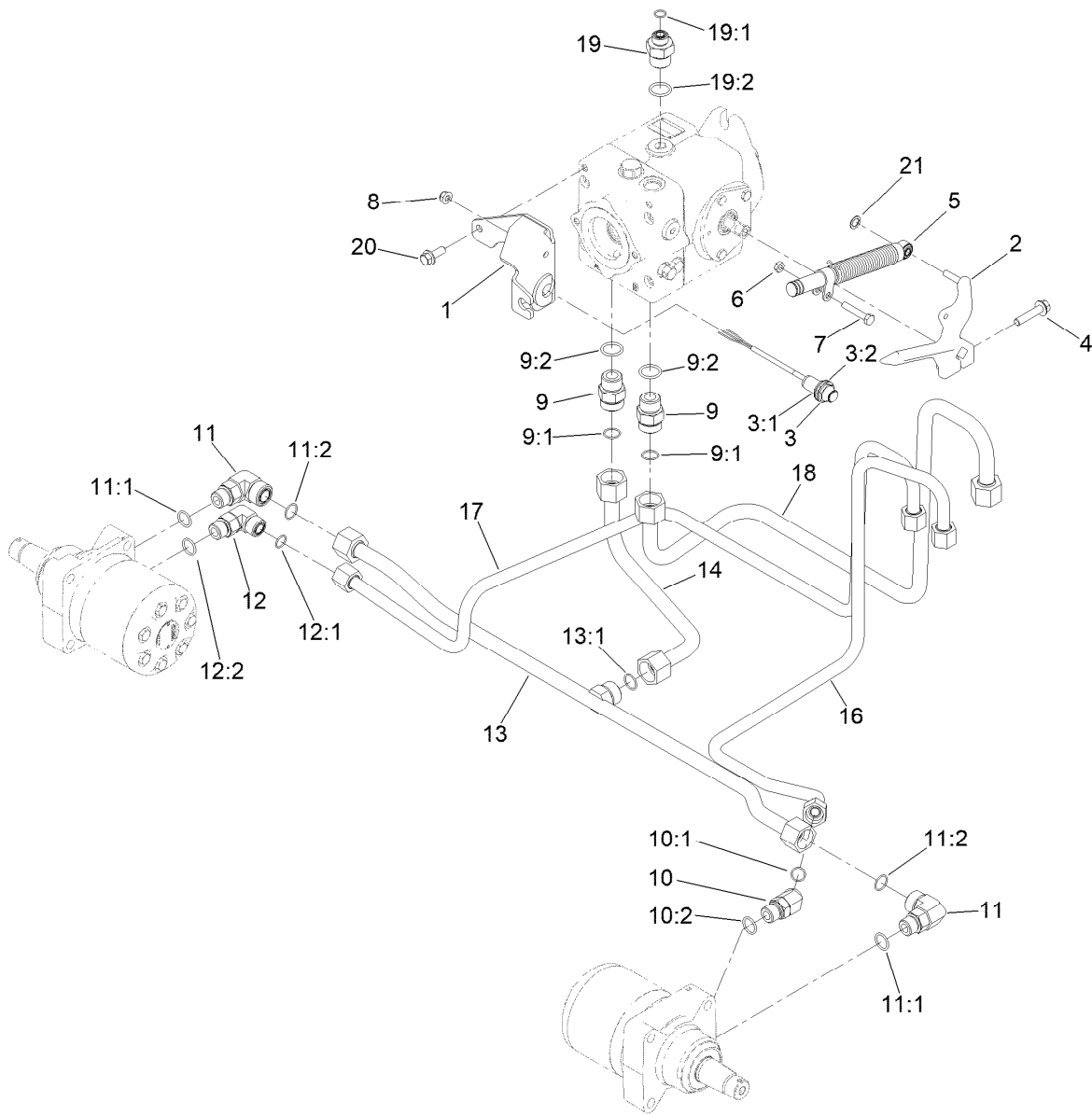
● Not serviced separately

Steering Valve Assembly No. 114-8119



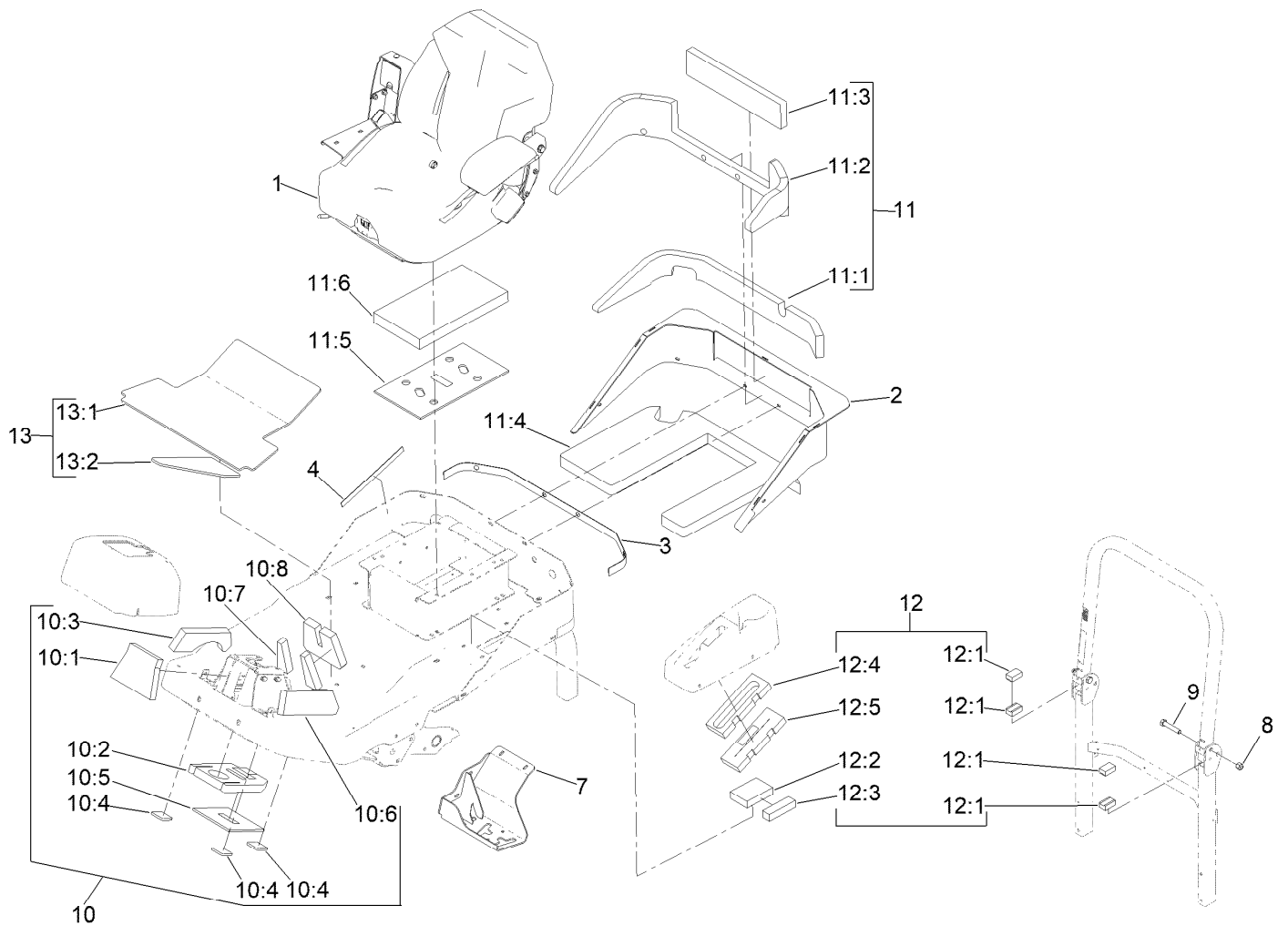
Steering Valve Assembly No. 114-8119 (continued)

| <i>Ref.</i> | <i>Part Number</i> | <i>Qty.</i> | <i>Description</i> |
|-------------|--------------------|-------------|--------------------|
| 1 | 106-6716 | 1 | Seal Kit |



Traction Hydraulic Assembly

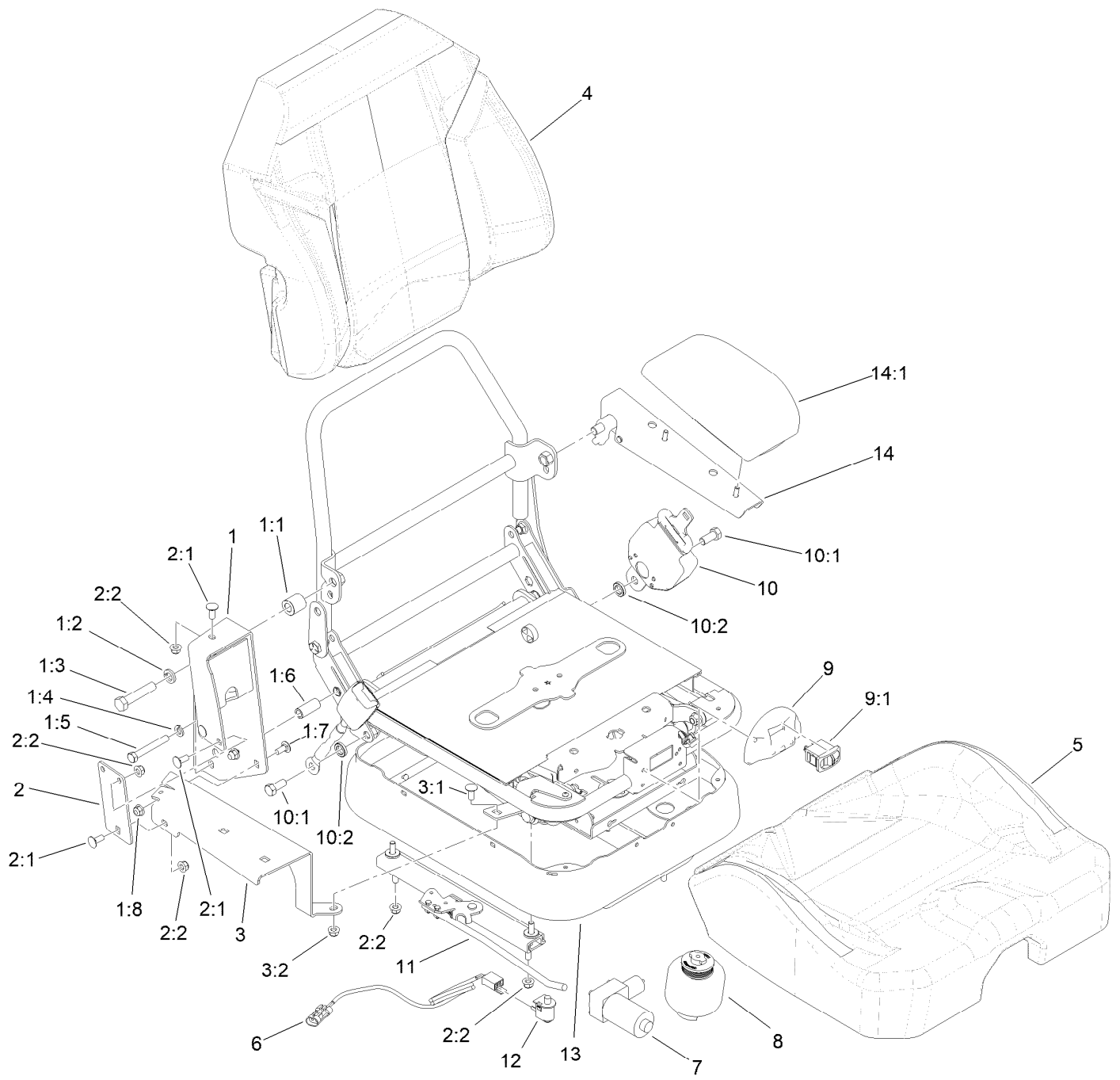
| Ref. | Part Number | Qty. | Description | Ref. | Part Number | Qty. | Description |
|------|-------------|------|-----------------------------------|------|-------------|------|-----------------------|
| 1 | 139-6195-0P | 1 | Bracket-Cable Support [primed] | 11:1 | 237-80 | 1 | O-Ring |
| 2 | 138-6378 | 1 | Lever-Pump | 11:2 | 237-58 | 1 | O-Ring |
| 3 | 115-5300 | 1 | Proximity Switch ASM | 12 | 340-17 | 1 | Fitting-Elbow, 90 DEG |
| 3:1 | 117-3207 | 2 | Nut-Hex | 12:1 | 237-65 | 1 | O-Ring |
| 3:2 | 117-3208 | 2 | Washer-Lock, Internal Tooth | 12:2 | 237-80 | 1 | O-Ring |
| 4 | 3234-19 | 1 | Screw-HHF | 13 | 138-0340 | 1 | Hydraulic Tube ASM |
| 5 | 140-6248 | 1 | Damper | 13:1 | 237-58 | 1 | O-Ring |
| 6 | 3218-2 | 1 | Nut-Hex Jam | 14 | 138-0341 | 1 | Hydraulic Tube ASM |
| 7 | 322-10 | 1 | Screw-HH | 16 | 138-0345 | 1 | Hydraulic Tube ASM |
| 8 | 104-8300 | 1 | Nut-HF, NI | 17 | 138-0346 | 1 | Hydraulic Tube ASM |
| 9 | 340-9 | 2 | Fitting-STR | 18 | 138-0339 | 1 | Hydraulic Tube ASM |
| 9:1 | 237-58 | 1 | O-Ring | 19 | 100-4240 | 1 | Fitting-STR |
| 9:2 | 237-81 | 1 | O-Ring | 19:1 | 237-30 | 1 | O-Ring |
| 10 | 340-14 | 1 | Fitting-HYD, 45 DEG | 19:2 | 237-81 | 1 | O-Ring |
| 10:1 | 237-65 | 1 | O-Ring | 20 | 3234-42 | 2 | Screw-HHF |
| 10:2 | 237-80 | 1 | O-Ring | 21 | 32151-72 | 1 | Ring-Retaining |
| 11 | 340-16 | 2 | Fitting-HYD, 90 DEG | | | | |



Seat, Firewall and Step Mount Assembly

| Ref. | Part Number | Qty. | Description | Ref. | Part Number | Qty. | Description |
|------|-------------|------|---------------------------|------|-------------|------|---------------------------|
| 1 | 138-4535 | 1 | Seat ASM, Air Ride | 11 | 144-0525 | 1 | Kit-Foam, Sound Reduction |
| 2 | 139-2035-03 | 1 | Firewall-Upper | 11:1 | 140-6891 | 1 | Panel-Firewall, Sound |
| 3 | 139-2039 | 1 | Seal-Foam, Firewall | 11:2 | 140-6892 | 1 | Panel-Firewall, Sound |
| 4 | 139-2040 | 2 | Seal-Foam, Side | 11:3 | 140-6893 | 1 | Tile-Firewall, Sound |
| 7 | 139-2030-03 | 1 | Mount-Step | 11:4 | 140-6896 | 1 | Floor-Pad |
| 8 | 3296-51 | 2 | Nut-Lock, NI | 11:5 | 140-6724 | 1 | Pad-Seat Base, Sound |
| 9 | 328-7 | 2 | Screw-HH | 11:6 | 140-6725 | 1 | Pad-Seat Base, Sound |
| 10 | 144-4028 | 1 | Kit-Foam, Sound Reduction | 12 | 144-0526 | 1 | Kit-Foam, Sound Reduction |
| 10:1 | 144-3640 | 1 | Steer-Plug Front | 12:1 | 140-6897 | 4 | Plug-ROPS |
| 10:2 | 144-3224 | 1 | Steer-Plug | 12:2 | 140-6898 | 1 | Brake-Plug |
| 10:3 | 144-3639 | 1 | Steer-Plug Right | 12:3 | 140-6899 | 1 | Brake-Plug |
| 10:4 | 144-3227 | 3 | Steering-Pad | 12:4 | 144-3221 | 1 | Brake-Plug |
| 10:5 | 144-3228 | 1 | Steering-Pad | 12:5 | 144-3222 | 1 | Brake-Plug |
| 10:6 | 144-3638 | 1 | Steer-Plug Left | 13 | 144-0527 | 1 | Kit-Foam, Sound Reduction |
| 10:7 | 144-3641 | 2 | Steer-Plug | 13:1 | 144-3233 | 1 | Floor-Pad, Center |
| 10:8 | 144-3637 | 1 | Steer-Plug Bottom | 13:2 | 144-3234 | 1 | Floor-Pad, Corner |

Air Ride Suspension Seat Assembly No. 138-4535

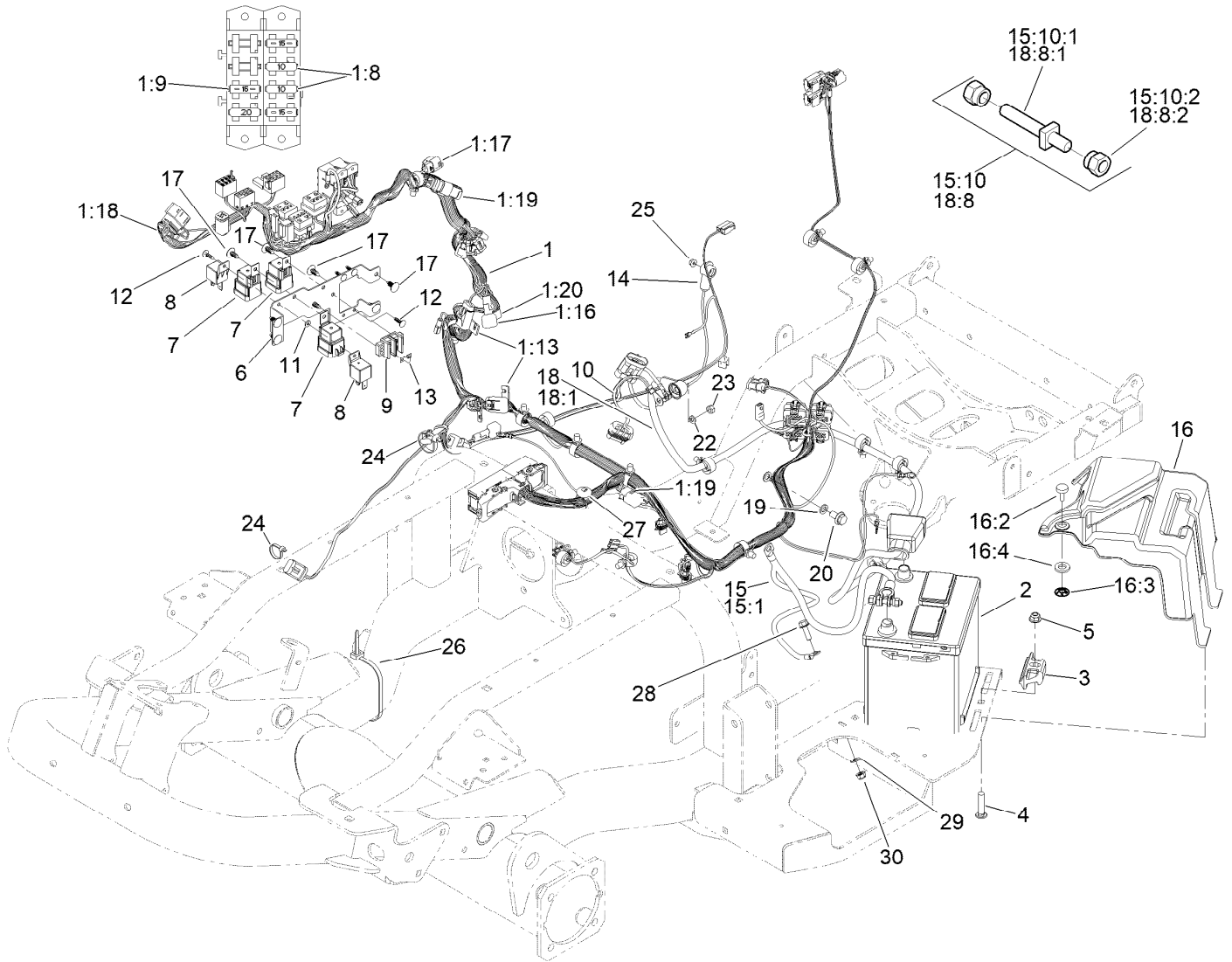


Air Ride Suspension Seat Assembly No. 138-4535 (continued)

| <i>Ref.</i> | <i>Part Number</i> | <i>Qty.</i> | <i>Description</i> | <i>Ref.</i> | <i>Part Number</i> | <i>Qty.</i> | <i>Description</i> |
|-------------|--------------------|-------------|--------------------------|-------------|--------------------|-------------|---------------------------|
| 1 | 140-7112 | 1 | Kit-Console Mount, Upper | 5 | 125-3111 | 1 | Cover-Cushion |
| 1:1 | 140-7113 | 1 | Spacer | 6 | 106-7090 | 1 | Harness-Wire, Seat Switch |
| 1:2 | 3253-7 | 1 | Washer-Lock | 7 | 140-7120 | 1 | Kit-Air Compressor |
| 1:3 | 325-10 | 1 | Screw-HH | 8 | 140-7121 | 1 | Kit-Air Bag |
| 1:4 | 3253-21 | 1 | Washer-Lock | 9 | 140-7122 | 1 | Kit-Air Valve |
| 1:5 | 323-13 | 1 | Screw-HH | 9:1 | 126-2747 | 1 | Valve-Air Adjust |
| 1:6 | 140-7114 | 1 | Spacer | 10 | 140-7116 | 1 | Kit-Seat Belt |
| 1:7 | 3230-23 | 2 | Bolt-CARR | 10:1 | 3212-4 | 2 | Screw-HH |
| 1:8 | 104-8300 | 2 | Nut-HF, NI | 10:2 | 140-7108 | 2 | Spacer |
| 2 | 140-7103 | 1 | Kit-Bracket | 11 | 144-0458 | 1 | Kit-Track |
| 2:1 | 3230-23 | 4 | Bolt-CARR | 12 | 82-2190 | 1 | Switch-Bail |
| 2:2 | 104-8300 | 8 | Nut-HF, NI | 13 | 126-8559 | 1 | Bellows-Seat |
| 3 | 140-7115 | 1 | Kit-Console Mount, Lower | 14 | 140-7110 | 1 | Armrest-Deluxe, With Pad |
| 3:1 | 3230-23 | 1 | Bolt-CARR | 14:1 | 140-7111 | 1 | Pad-Armrest |
| 3:2 | 104-8300 | 1 | Nut-HF, NI | 99 | 140-7119 | 1 | Harness-Air Ride ● |
| 4 | 125-3112 | 1 | Cover-Back | | | | |

● Not illustrated

Electrical Assembly



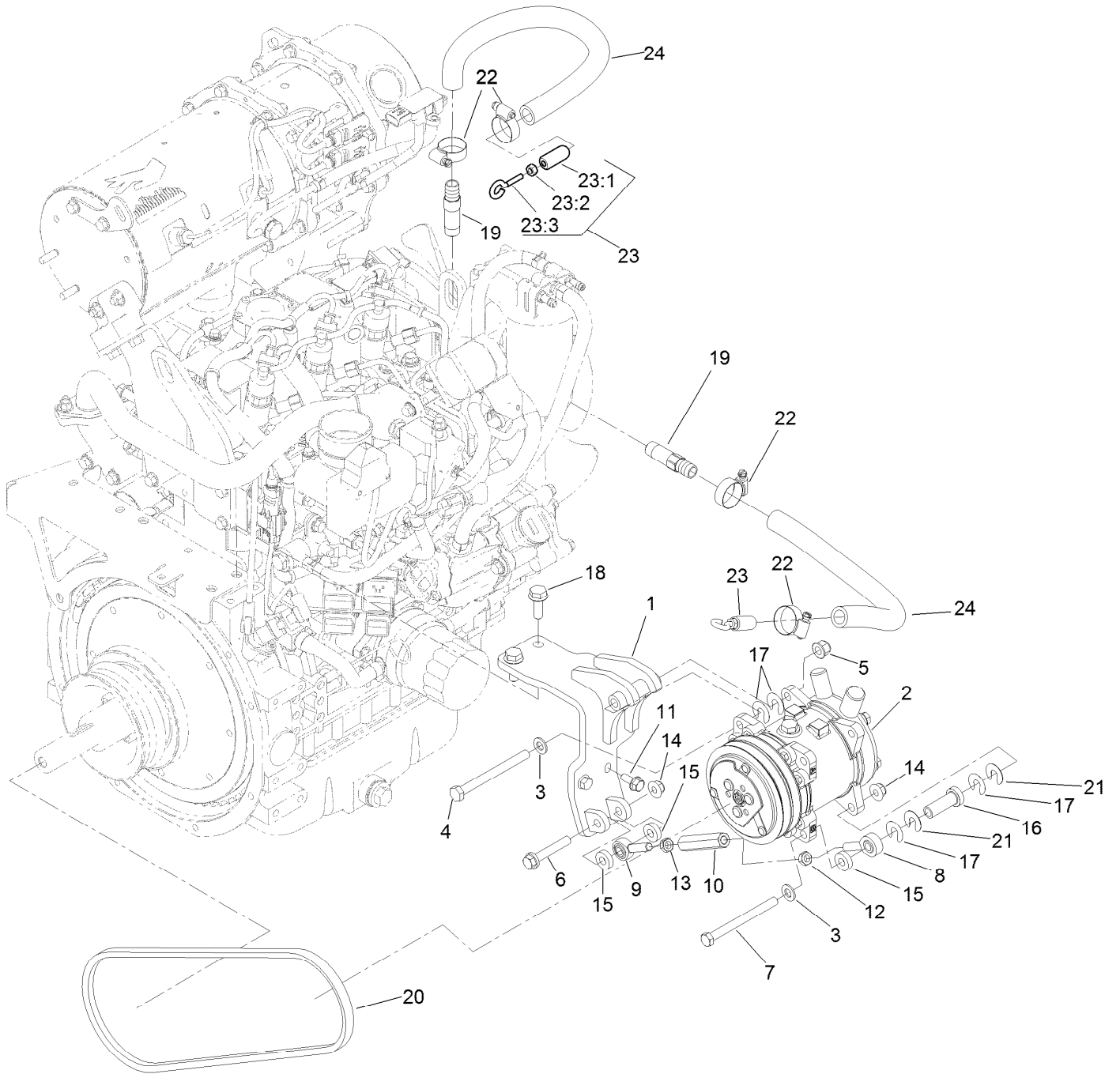
Electrical Assembly (continued)

| <i>Ref.</i> | <i>Part Number</i> | <i>Qty.</i> | <i>Description</i> | <i>Ref.</i> | <i>Part Number</i> | <i>Qty.</i> | <i>Description</i> |
|-------------|--------------------|-------------|----------------------------------|-------------|--------------------|-------------|-----------------------------|
| 1 | 122-1656 | 1 | Harness-Wire, Main Gm33X0 | 15:1 | 32180-115 | 1 | Panduit, Cable Tie ● |
| 1:8 | 218-578 | 4 | Fuse-Blade, 10 Amp | 15:10 | | 1 | Bolt ASM ■ |
| 1:9 | 109355 | 3 | Fuse-Blade, 15 Amp | 15:10:1 | 32180-107 | 1 | Bolt-Clamp, Battery |
| 1:13 | 32180-019 | 2 | Cover-Fuse, Single | 15:10:2 | 32180-108 | 2 | Nut-Clamp, Battery |
| 1:16 | 108-9493 | 1 | Diode-Tvs | 16 | 140-9010 | 1 | Battery Cover ASM |
| 1:17 | 32180-089 | 1 | Cap-Plug, 3 Way | 16:2 | 140-9033 | 1 | Knob-Stud |
| 1:18 | 32180-043 | 1 | Resistor-120 Ohm | 16:3 | 32115-15 | 1 | Nut-Push |
| 1:19 | 32180-156 | 2 | Cap-Plug, 6 Way | 16:4 | 3256-22 | 1 | Washer-Flat |
| 1:20 | 104-4022 | 1 | Resistor-75 Ohm | 17 | 117-2382 | 10 | Plug-Plastic |
| 2 | 106-5187 | 1 | Battery, 525 CCA W/O Electrolyte | 18 | 122-1275 | 1 | Cable-Battery, Positive ASM |
| 3 | 138-6335 | 1 | Retainer-Battery | 18:1 | 32180-115 | 1 | Panduit, Cable Tie ● |
| 4 | 3231-29 | 1 | Screw-CARR | 18:8 | | 1 | Bolt ASM ■ |
| 5 | 104-8301 | 1 | Nut-HF, NI | 18:8:1 | 32180-107 | 1 | Bolt-Clamp, Battery |
| 6 | 138-7467-0P | 1 | Bracket-Electrical | 18:8:2 | 32180-108 | 2 | Nut-Clamp, Battery |
| 7 | 99-7430 | 3 | Relay-Mini | 19 | 33095-00 | 1 | Washer-Flat |
| 8 | 99-7435 | 2 | Relay | 20 | 33115-020 | 1 | Screw-HH |
| 9 | 42862 | 1 | Block-Terminal, Ground | 22 | 3253-4 | 1 | Washer-Lock |
| 10 | 99-3441 | 1 | Harness-Wire, Fusible Link | 23 | 33014-00 | 1 | Nut-Hex |
| 11 | 3256-21 | 1 | Washer-Flat | 24 | 3290-378 | 2 | Tie-Cable |
| 12 | 125-8067 | 1 | Plug-Plastic | 25 | 33003-00 | 1 | Nut-HF |
| 13 | 42863 | 1 | Strip-Jumper | 26 | 3290-379 | 1 | Tie-Cable |
| 14 | 100-5552 | 1 | Harness-Wire | 27 | 32180-149 | 1 | Tie-Button Head |
| 15 | 122-1276 | 1 | Cable-Battery, Negative ASM | 28 | 3234-29 | 1 | Screw-HHF |
| | | | | 29 | 120-9683 | 1 | Washer-Plain |
| | | | | 30 | 104-8300 | 1 | Nut-HF, NI |

● Not illustrated

■ Not serviced separately

Compressor and Belt Assembly

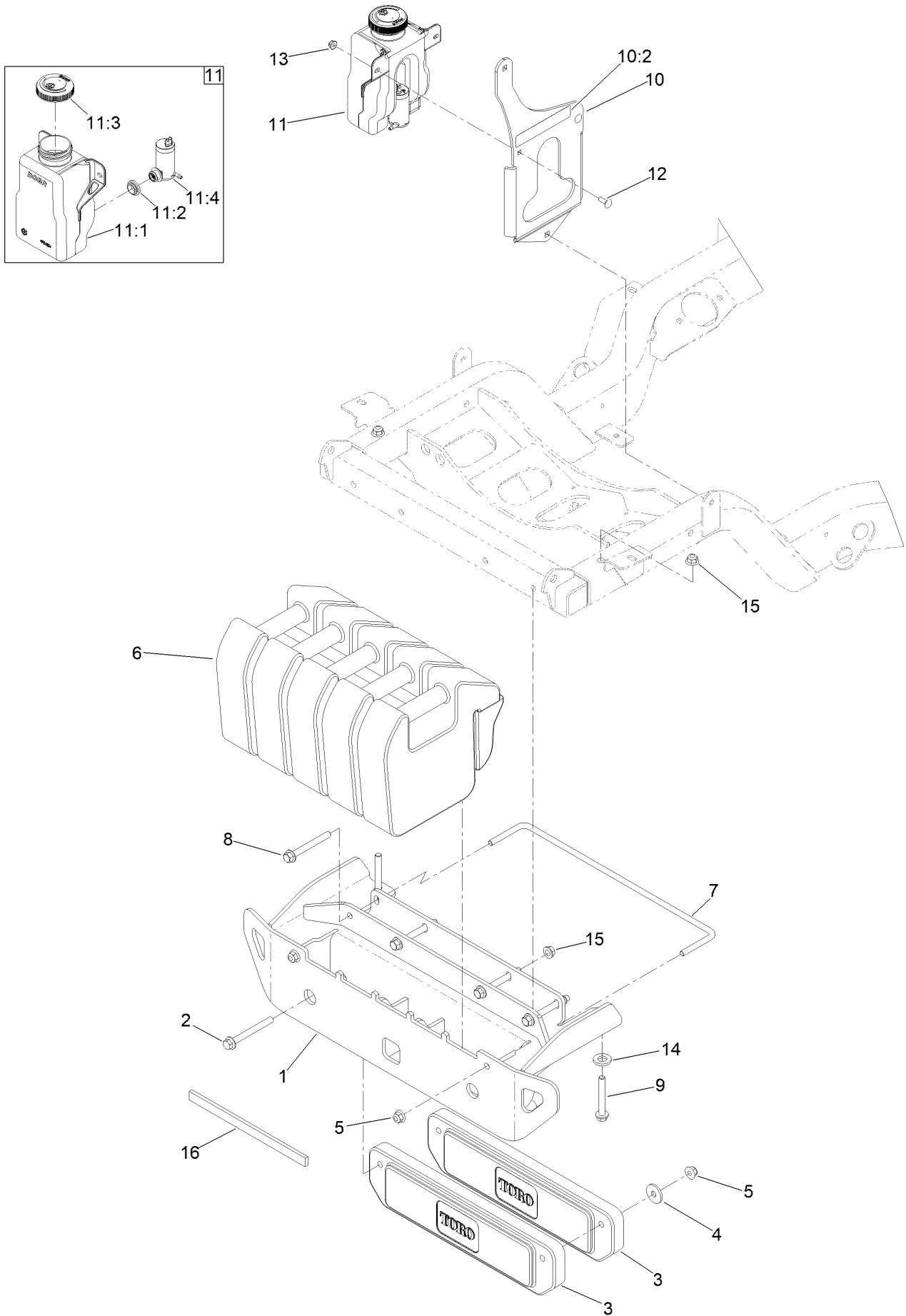


Compressor and Belt Assembly (continued)

| <i>Ref.</i> | <i>Part Number</i> | <i>Qty.</i> | <i>Description</i> | <i>Ref.</i> | <i>Part Number</i> | <i>Qty.</i> | <i>Description</i> |
|-------------|--------------------|-------------|------------------------------------|-------------|--------------------|-------------|------------------------|
| 1 | 138-7435-0P | 1 | Bracket-Compressor Mount [prime | 14 | 104-8301 | 2 | Nut-HF, NI |
| 2 | 119-0103 | 1 | Compressor | 15 | 5-0652 | 3 | Spacer |
| 3 | 33095-00 | 2 | Washer-Flat | 16 | 139-0873 | 1 | Spacer |
| 4 | 33115-110 | 1 | Screw-HH | 17 | 119-7734 | 4 | Shim |
| 5 | 103-9511 | 1 | Nut-Lock, NI | 18 | 33105-030 | 2 | Screw-HHF |
| 6 | 100-2592 | 1 | Screw-HHF | 19 | 139-2236 | 2 | Fitting-STR Spcl |
| 7 | 119-0723 | 1 | Screw-HH, Lock | 20 | 106-4498 | 1 | Belt-V |
| 8 | 1-613204 | 1 | Balljoint | 21 | 139-6205 | 2 | Shim |
| 9 | 125-4389 | 1 | Bearing-End, Rod | 22 | 2412-119 | 4 | Clamp-Hose, Worm Drive |
| 10 | 136-7390 | 1 | Turnbuckle | 23 | | 2 | Plug-Hose, ASM ● |
| 11 | 33104-020 | 2 | Screw-HHF | 23:1 | 139-1904 | 1 | Plug-Hose |
| 12 | 3220-3 | 1 | Nut-HJ | 23:2 | 3217-5 | 1 | Nut-Hex |
| 13 | 3220-16 | 1 | Nut-Hex Jam, LH | 23:3 | 71-2870 | 1 | Bolt-Eye |
| | | | | 24 | 140-6560 | 2 | Hose-Heater, 5/8 |

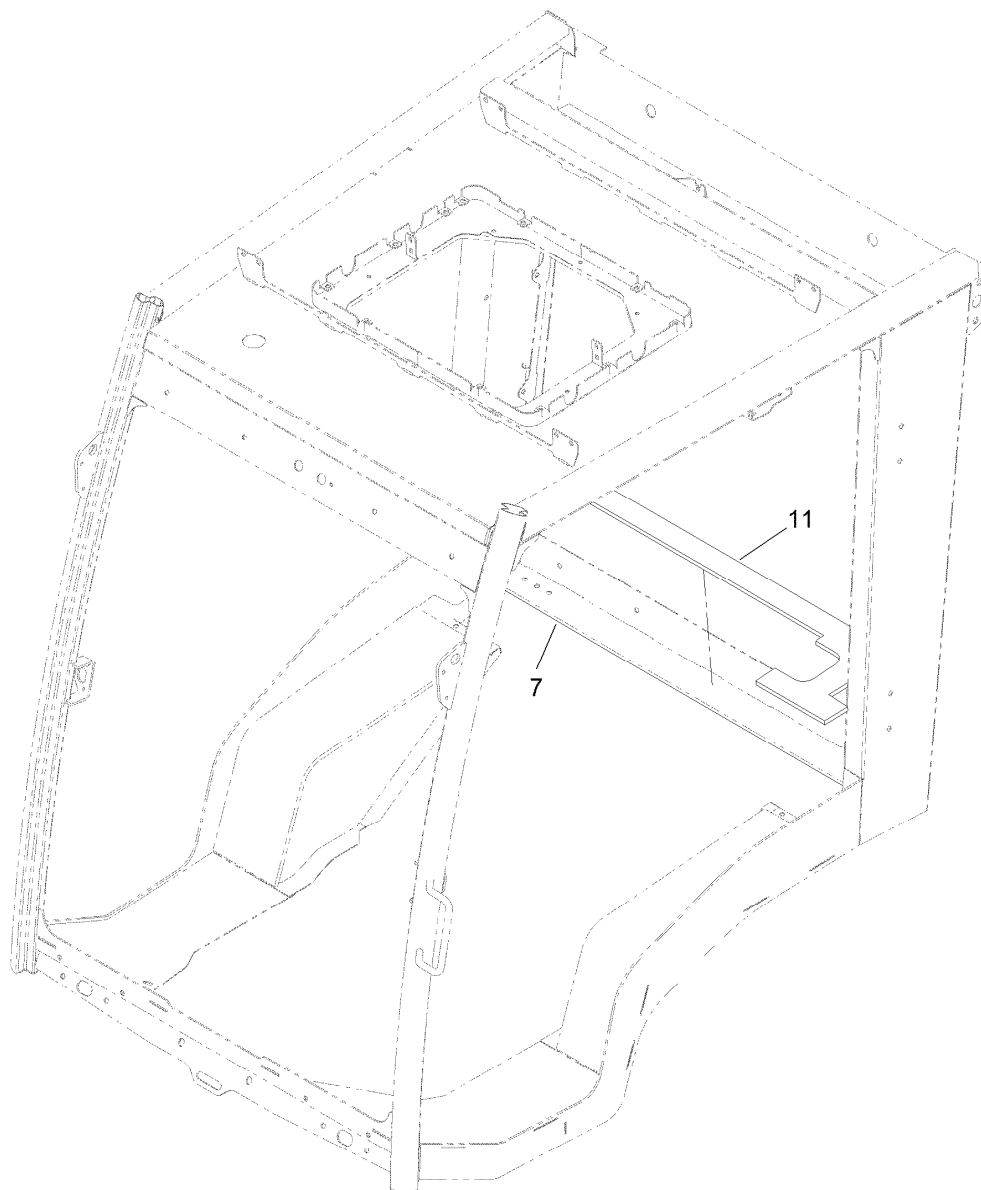
● Not serviced separately

Bumper and Weight Assembly



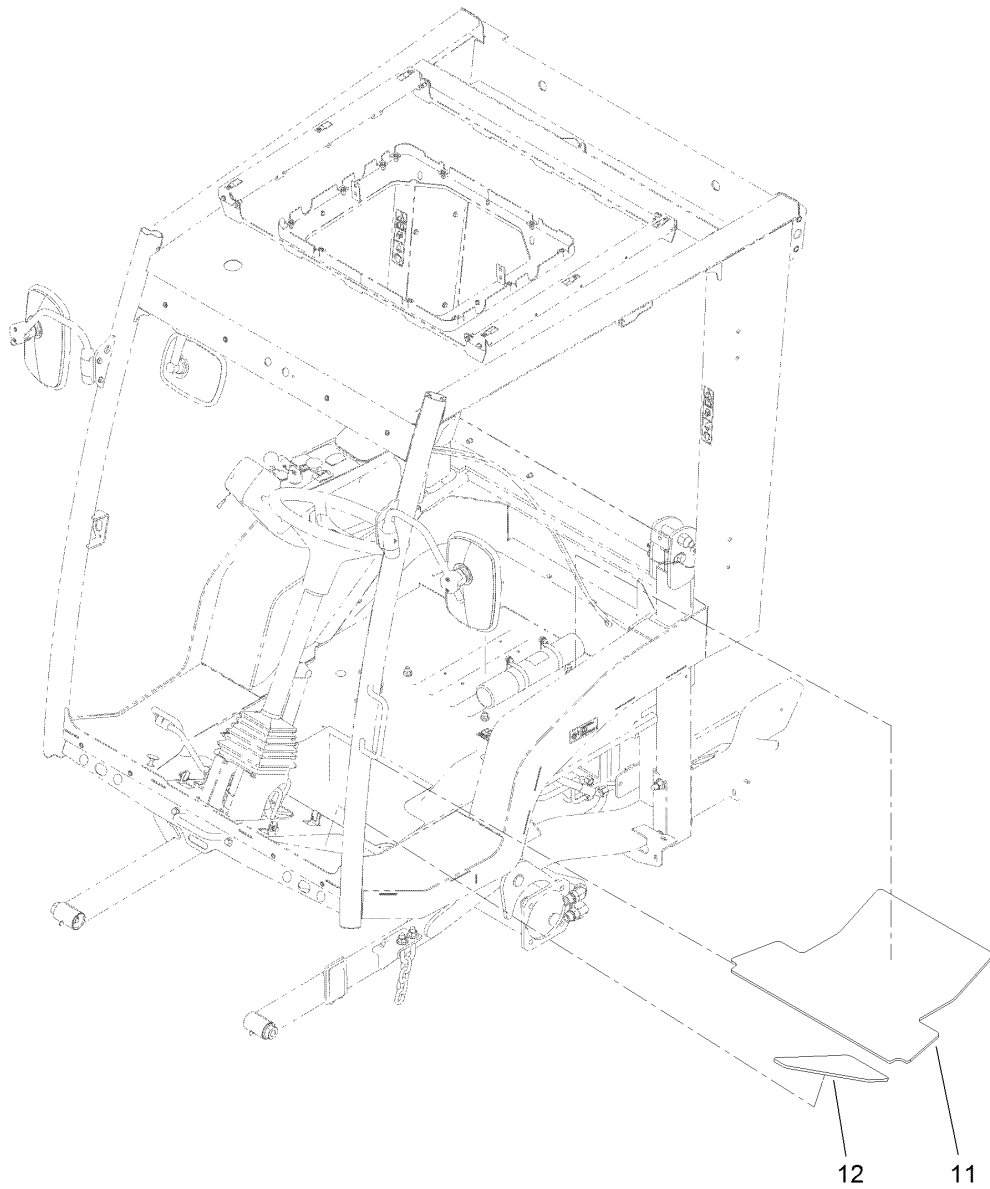
Bumper and Weight Assembly (continued)

| <i>Ref.</i> | <i>Part Number</i> | <i>Qty.</i> | <i>Description</i> | <i>Ref.</i> | <i>Part Number</i> | <i>Qty.</i> | <i>Description</i> |
|-------------|--------------------|-------------|--------------------|-------------|--------------------|-------------|---------------------------|
| 1 | 139-2328SP | 1 | Rear Bumper | 11 | 140-6665 | 1 | Tank-Fluid, Washer (1.1L) |
| 2 | 116-4701 | 2 | Screw-HHF | 11:1 | 140-6666 | 1 | Tank |
| 3 | 112-7059-01 | 2 | Weight-Cast | 11:2 | 140-6667 | 1 | Grommet |
| 4 | 125-9676 | 2 | Washer-Backup | 11:3 | 140-6669 | 1 | Cap-Washer |
| 5 | 104-8301 | 4 | Nut-HF, NI | 11:4 | 140-6668 | 1 | Pump-Washer |
| 6 | 114-4096 | 5 | Weight | 12 | 3229-1 | 2 | Screw-CARR |
| 7 | 125-2667 | 1 | Lock-Weight | 13 | 104-7201 | 2 | Nut-HF, NI |
| 8 | 3234-41 | 4 | Screw-HHF | 14 | 3256-24 | 2 | Washer-Flat |
| 9 | 139-2429 | 2 | Screw-HHF | 15 | 32128-43 | 6 | Nut-Flange |
| 10 | 144-3252 | 1 | Mount-Washer | 16 | 144-0553 | 1 | Strip-Rubber |
| 10:2 | 93-7272 | 1 | Decal-Warning | | | | |



Interior Foam Assembly

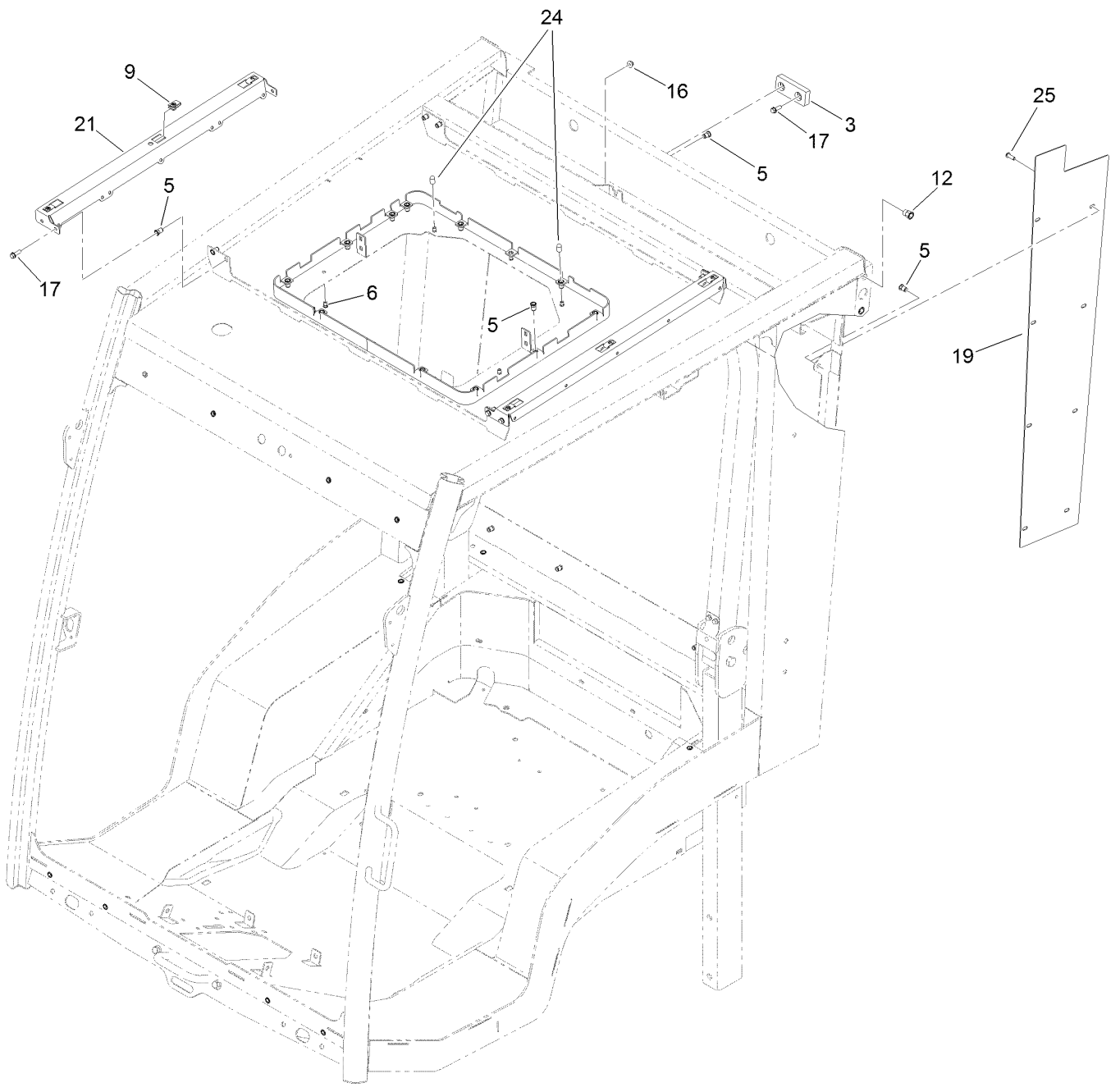
| <i>Ref.</i> | <i>Part Number</i> | <i>Qty.</i> | <i>Description</i> |
|-------------|--------------------|-------------|-----------------------|
| 7 | 139-1999 | 1 | Seal-Foam, Rear Shelf |
| 11 | 139-2069 | 1 | Foam-Panel, Rear |



Floor Sound Reduction Assembly

| <i>Ref.</i> | <i>Part Number</i> | <i>Qty.</i> | <i>Description</i> |
|-------------|--------------------|-------------|--------------------|
| 11 | 144-3233 | 1 | Floor-Pad, Center |
| 12 | 144-3234 | 1 | Floor-Pad, Corner |

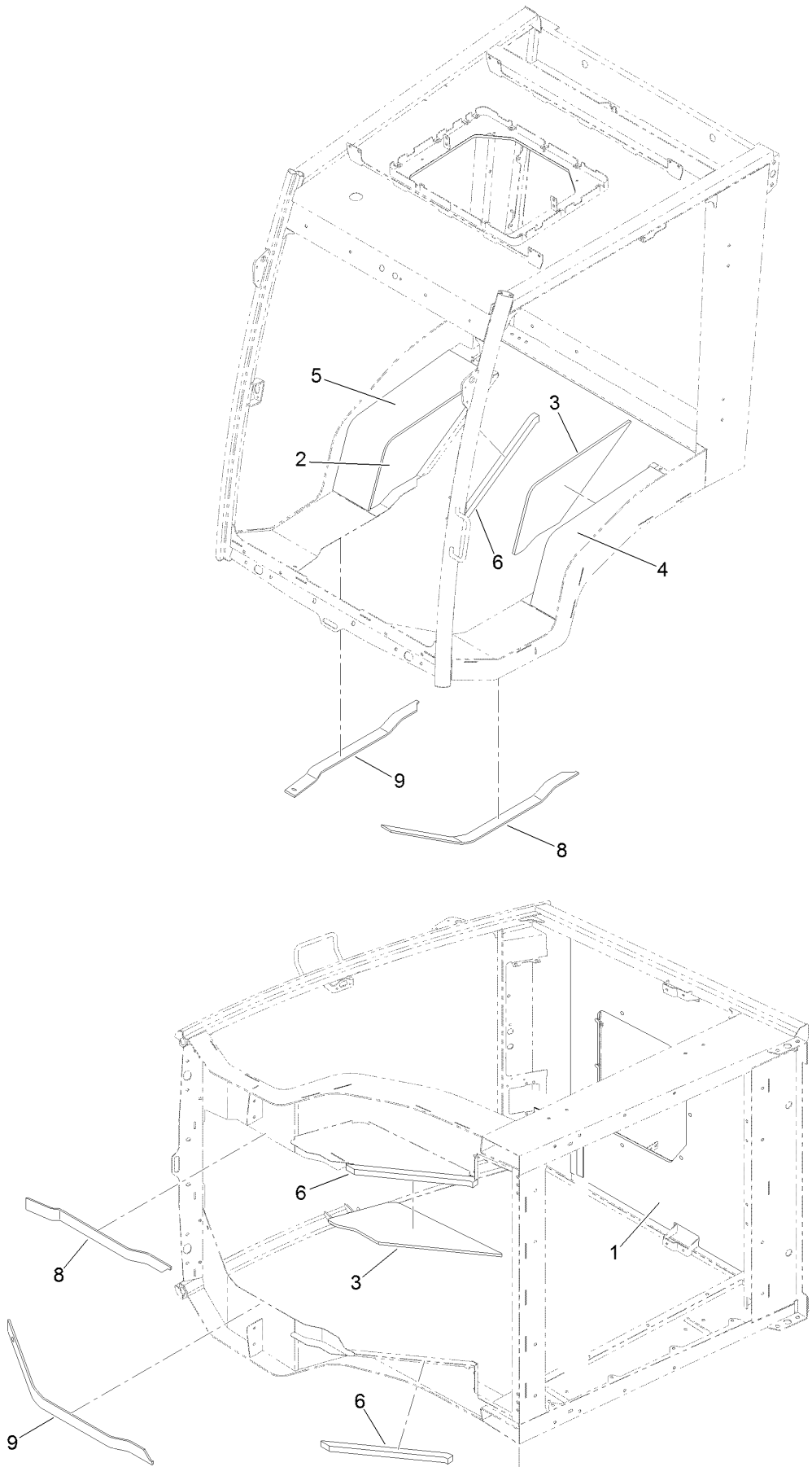
Frame, Mount and Seals Assembly



Frame, Mount and Seals Assembly (continued)

| <i>Ref.</i> | <i>Part Number</i> | <i>Qty.</i> | <i>Description</i> | <i>Ref.</i> | <i>Part Number</i> | <i>Qty.</i> | <i>Description</i> |
|-------------|--------------------|-------------|--------------------|-------------|--------------------|-------------|---------------------|
| 3 | 86-5350 | 4 | Bumper-Rubber | 17 | 32105-15 | 16 | Screw-HWH |
| 5 | 138-2760 | 69 | Nut-Clinch, Hex | 19 | 137-1167-03 | 2 | Cover-Post, Rear |
| 6 | 137-1225 | 8 | Nut-Clinch,Hex | 21 | 139-2158-03 | 2 | Bracket-Mount, Roof |
| 9 | 107069 | 6 | Clip | 24 | 139-2180 | 2 | Plug-Cap, Plastic |
| 12 | 138-2899 | 4 | Nut-Clinch | 25 | 32105-15 | 16 | Screw-HWH |
| 16 | 104-7201 | 8 | Nut-HF, NI | | | | |

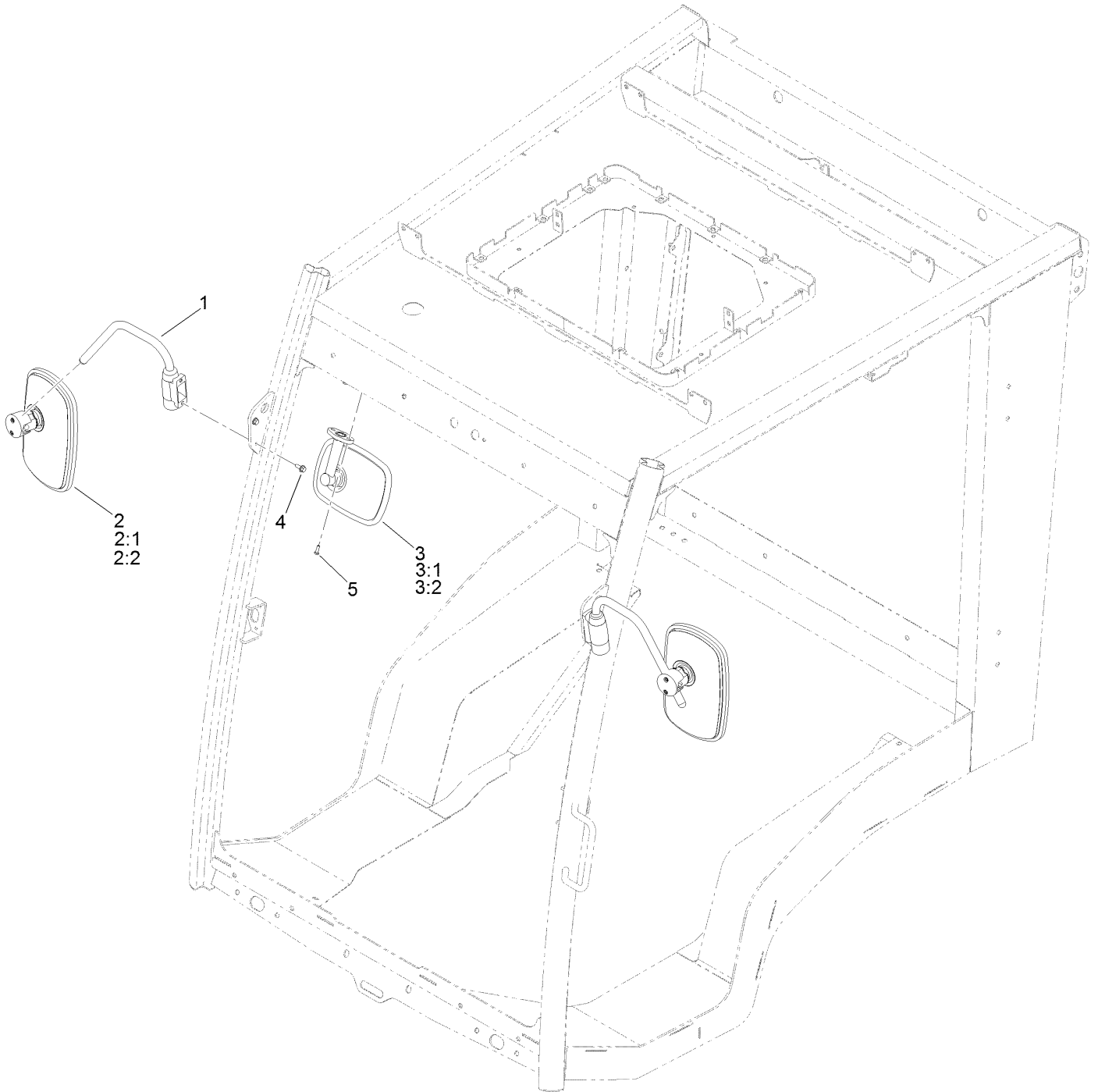
Interior Foam and Carpet Assembly



Interior Foam and Carpet Assembly (continued)

| <i>Ref.</i> | <i>Part Number</i> | <i>Qty.</i> | <i>Description</i> | <i>Ref.</i> | <i>Part Number</i> | <i>Qty.</i> | <i>Description</i> |
|-------------|--------------------|-------------|--------------------------|-------------|--------------------|-------------|--------------------------|
| 1 | 140-1499 | 1 | Foam-Interior Roof | 5 | 139-1968 | 1 | Carpet-Interior, Tank RH |
| 2 | 139-1966 | 1 | Carpet-Interior, Side RH | 6 | 139-2003 | 2 | Seal-Foam, Side |
| 3 | 139-1965 | 1 | Carpet-Interior, Side LH | 8 | 139-2004 | 1 | Seal-Foam, LH |
| 4 | 139-1967 | 1 | Carpet-Interior, Tank LH | 9 | 139-2005 | 1 | Seal-Foam, RH |

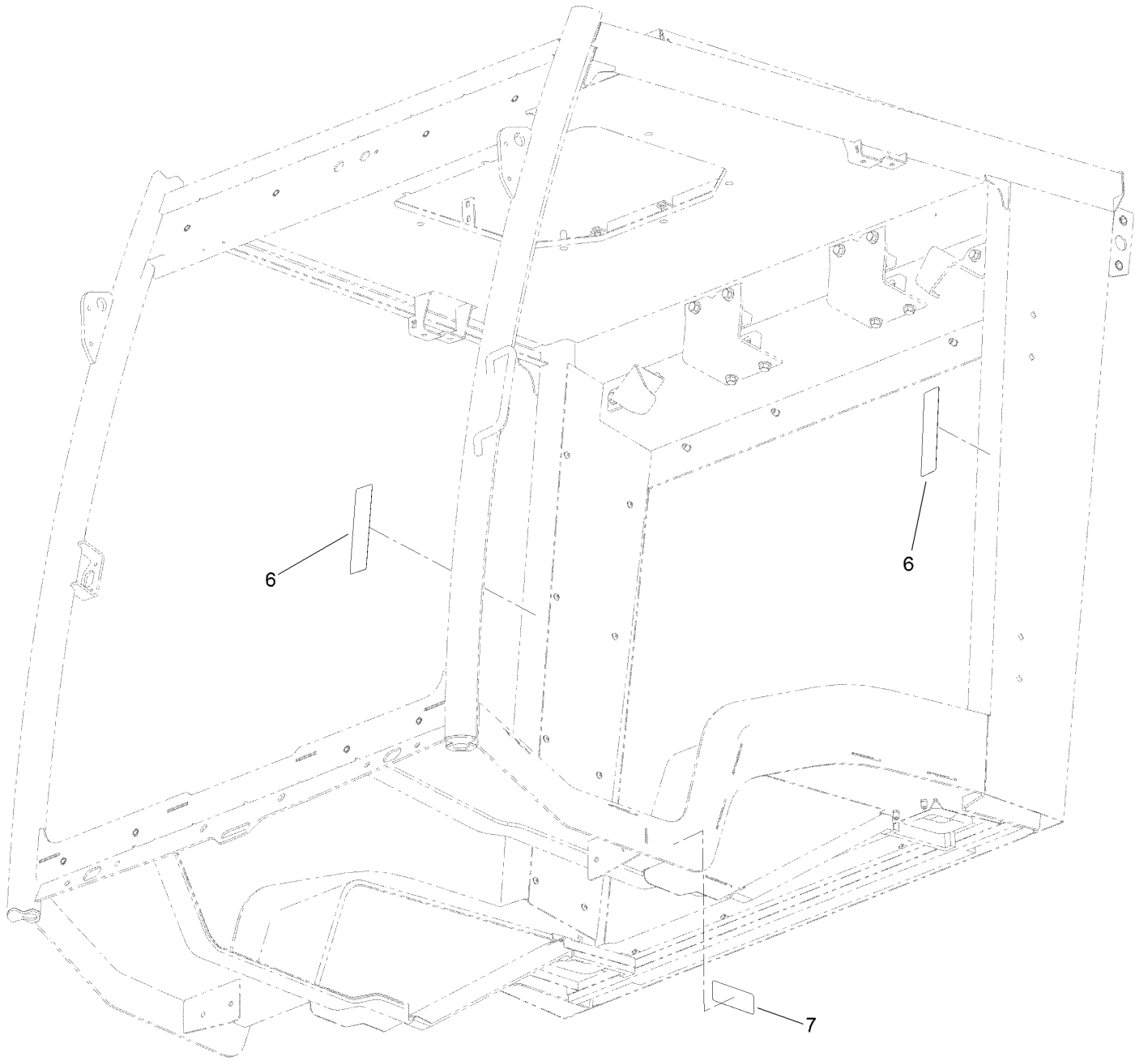
Cab Mirrors Assembly



Cab Mirrors Assembly (continued)

| <i>Ref.</i> | <i>Part Number</i> | <i>Qty.</i> | <i>Description</i> | <i>Ref.</i> | <i>Part Number</i> | <i>Qty.</i> | <i>Description</i> |
|-------------|--------------------|-------------|---------------------|-------------|--------------------|-------------|--------------------|
| 1 | 121-8275 | 2 | Arm-Mirror, Side | 3:1 | 121-8342 | 1 | Mirror |
| 2 | 121-8341 | 2 | Side Mirror ASM | 3:2 | 121-8389 | 1 | Gasket |
| 2:1 | 121-8340 | 1 | Mirror | 4 | 33103-016 | 4 | Screw-HHF |
| 2:2 | 121-8339 | 1 | Gasket | 5 | 32144-32 | 2 | Screw |
| 3 | 121-8343 | 1 | Interior Mirror ASM | | | | |

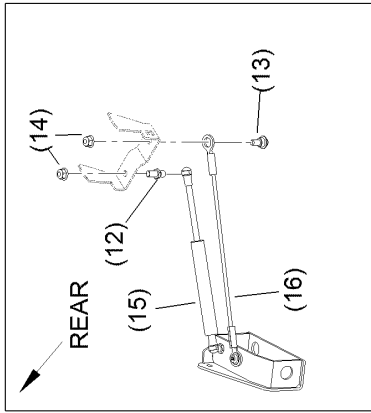
Decal Assembly



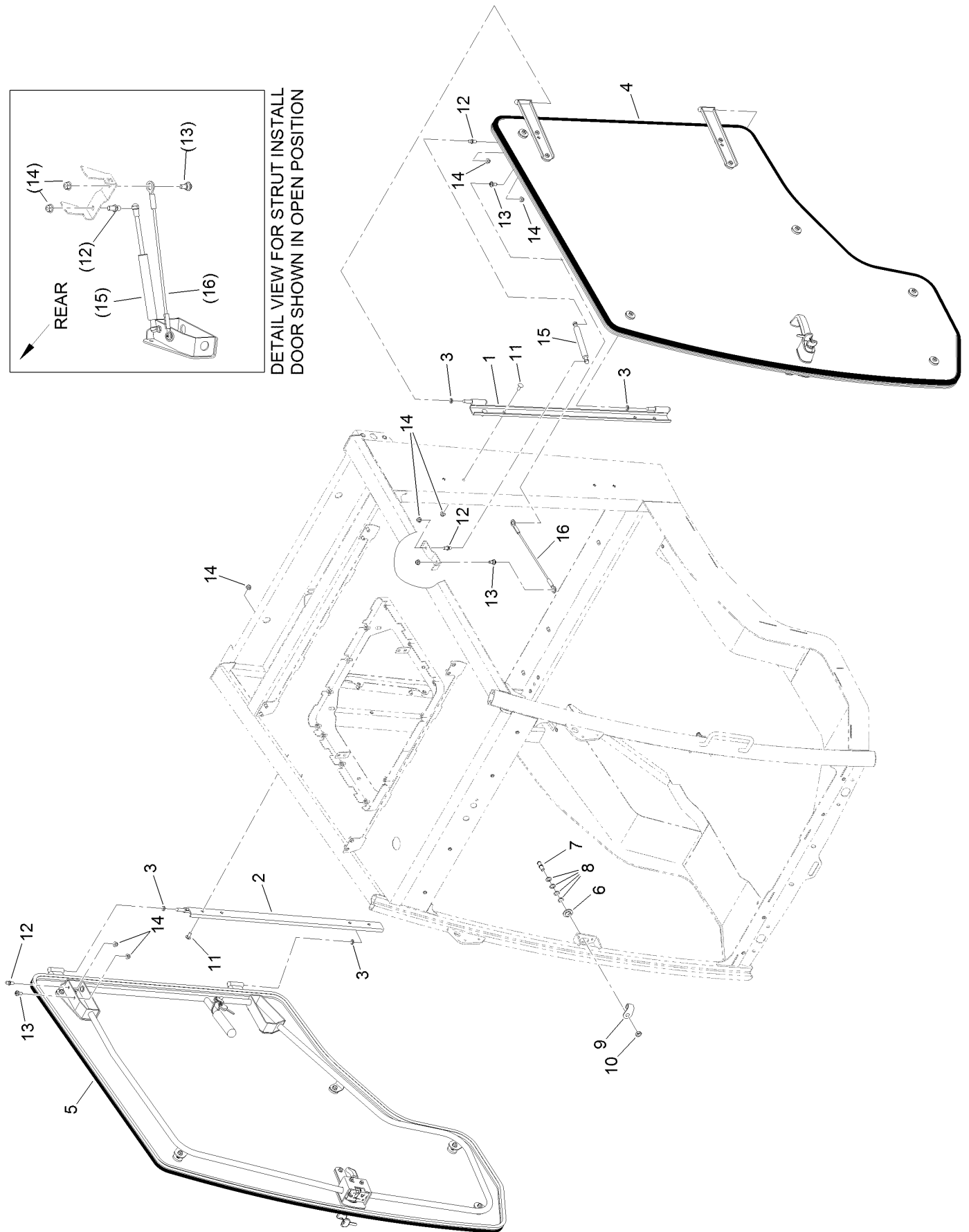
Decal Assembly (continued)

| <i>Ref.</i> | <i>Part Number</i> | <i>Qty.</i> | <i>Description</i> |
|-------------|--------------------|-------------|---------------------|
| 6 | 130-0594 | 2 | Decal-Warning |
| 7 | 106-9206 | 2 | Decal-Torque, Wheel |

Door Assembly



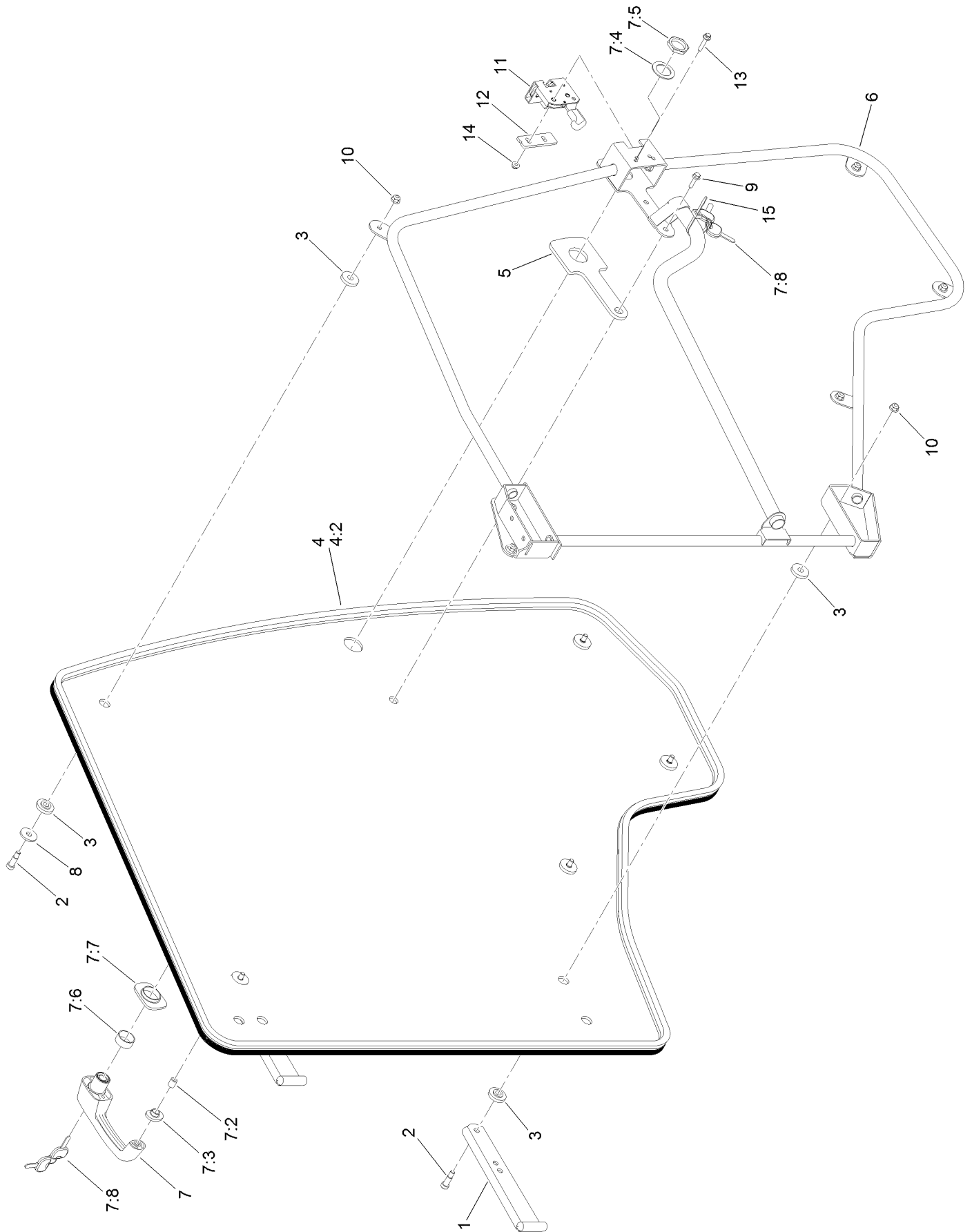
DETAIL VIEW FOR STRUT INSTALL
DOOR SHOWN IN OPEN POSITION



Door Assembly (continued)

| <i>Ref.</i> | <i>Part Number</i> | <i>Qty.</i> | <i>Description</i> | <i>Ref.</i> | <i>Part Number</i> | <i>Qty.</i> | <i>Description</i> |
|-------------|--------------------|-------------|--------------------|-------------|--------------------|-------------|--------------------|
| 1 | 138-2944-03 | 1 | Mount-Door, LH | 9 | 121-8393 | 2 | Guard-Striker |
| 2 | 138-2945-03 | 1 | Mount-Door, RH | 10 | 140-4431 | 2 | Nut-Hex, Jam |
| 3 | 121-8441 | 4 | Washer-Spacer | 11 | 3230-23 | 8 | Bolt-CARR |
| 4 | 140-6554 | 1 | LH Door ASM | 12 | 98-3104 | 4 | Stud-Ball |
| 5 | 140-6555 | 1 | RH Door ASM | 13 | 120-9471 | 4 | Bolt-Shoulder |
| 6 | 125-9992 | 2 | Adjuster-Stud | 14 | 104-8300 | 16 | Nut-HF, NI |
| 7 | 140-4422 | 2 | Striker-Stud | 15 | 136-1963 | 2 | Spring-Gas, Door |
| 8 | 73-0040 | 8 | Washer-Thrust | 16 | 140-1636 | 2 | Lanyard-Coated |

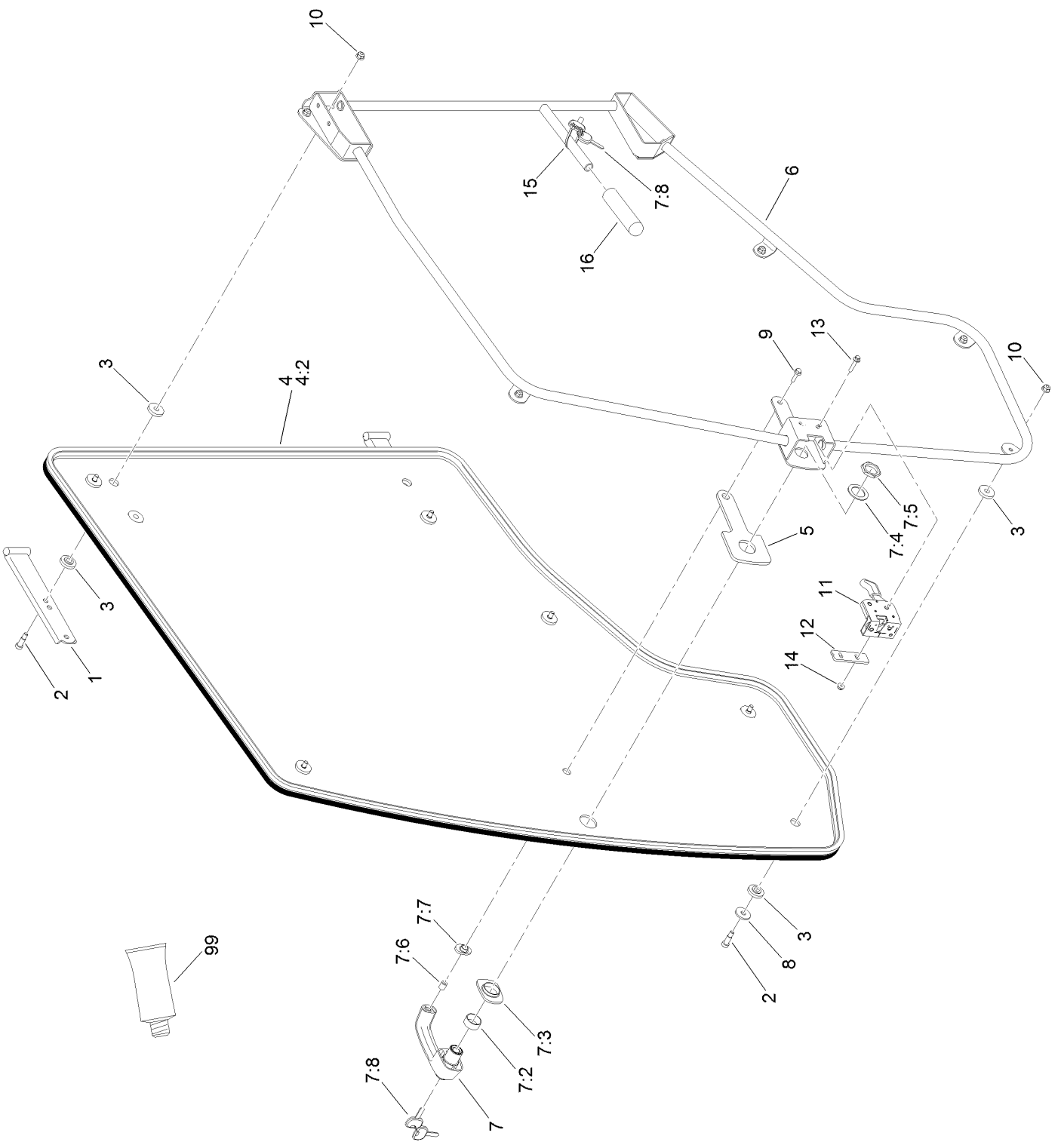
LH Door Assembly No. 140-6554



LH Door Assembly No. 140-6554 (continued)

| <i>Ref.</i> | <i>Part Number</i> | <i>Qty.</i> | <i>Description</i> | <i>Ref.</i> | <i>Part Number</i> | <i>Qty.</i> | <i>Description</i> |
|-------------|--------------------|-------------|-------------------------|-------------|--------------------|-------------|-------------------------|
| 1 | 132-3622-03 | 2 | Hinge-Door, LH | 7:6 | 121-8627 | 1 | Cylinder-Mounting, End |
| 2 | 125-9520 | 9 | Screw-Shoulder, HSH | 7:7 | 121-8323 | 1 | Grommet-Mounting, Small |
| 3 | 125-9982 | 18 | Bushing-Flange | 7:8 | 125-9531 | 1 | Key-Set |
| 4 | 137-1207 | 1 | LH Glass Door ASM | 8 | 125-9676 | 5 | Washer-Backup |
| 4:2 | 137-1205 | 1 | Trim-Seal, Door | 9 | 33103-025 | 1 | Screw-HHF |
| 5 | 121-8331 | 1 | Gasket-Handle | 10 | 104-8300 | 9 | Nut-HF, NI |
| 6 | 140-6552-03 | 1 | Frame-Door, LH | 11 | 121-8391 | 1 | Latch-LH |
| 7 | 121-8630 | 1 | Handle ASM | 12 | 121-8395 | 1 | Plate-Support, Latch |
| 7:2 | 121-8628 | 1 | Cylinder-Mounting, Key | 13 | 3234-21 | 2 | Screw-HHF |
| 7:3 | 121-8322 | 1 | Grommet-Mounting, Large | 14 | 104-7201 | 2 | Nut-HF, NI |
| 7:4 | 121-8327 | 1 | Washer | 15 | 3290-378 | 1 | Tie-Cable |
| 7:5 | 121-8328 | 1 | Nut | | | | |

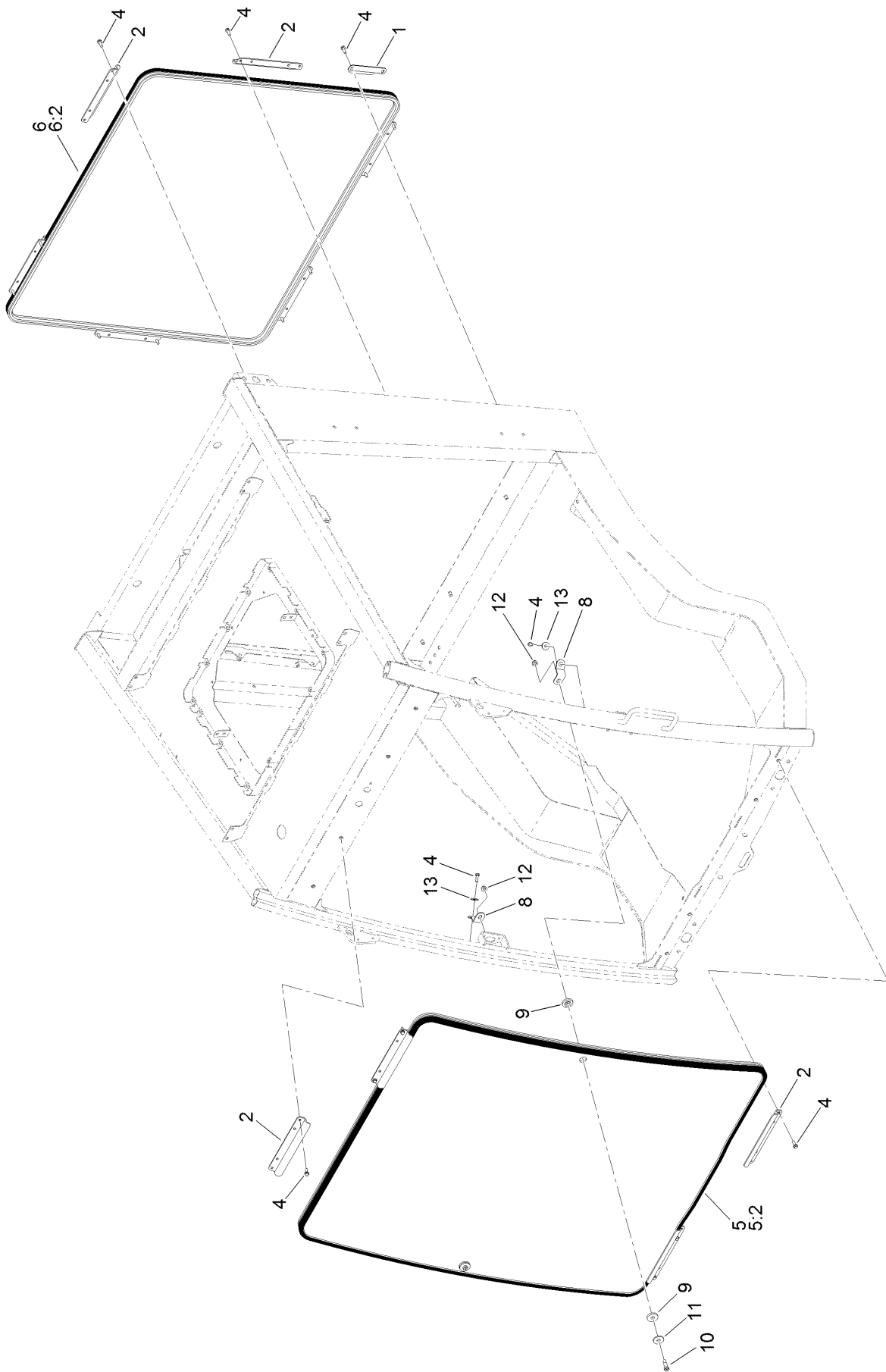
RH Door Assembly No. 140-6555



RH Door Assembly No. 140-6555 (continued)

| <i>Ref.</i> | <i>Part Number</i> | <i>Qty.</i> | <i>Description</i> | <i>Ref.</i> | <i>Part Number</i> | <i>Qty.</i> | <i>Description</i> |
|-------------|--------------------|-------------|-------------------------|-------------|--------------------|-------------|-------------------------|
| 1 | 132-3636-03 | 2 | Hinge-Door, RH | 7:7 | 121-8323 | 1 | Grommet-Mounting, Small |
| 2 | 125-9520 | 9 | Screw-Shoulder, HSH | 7:8 | 125-9531 | 1 | Key-Set |
| 3 | 125-9982 | 18 | Bushing-Flange | 8 | 125-9676 | 5 | Washer-Backup |
| 4 | 137-1208 | 1 | RH Glass Door ASM | 9 | 33103-025 | 1 | Screw-HHF |
| 4:2 | 137-1205 | 1 | Trim-Seal, Door | 10 | 104-8300 | 9 | Nut-HF, NI |
| 5 | 121-8331 | 1 | Gasket-Handle | 11 | 121-8390 | 1 | Latch-RH |
| 6 | 140-6553-03 | 1 | Frame-Door, RH | 12 | 121-8395 | 1 | Plate-Support, Latch |
| 7 | 121-8630 | 1 | Handle ASM | 13 | 3234-21 | 2 | Screw-HHF |
| 7:2 | 121-8628 | 1 | Cylinder-Mounting, Key | 14 | 104-7201 | 2 | Nut-HF, NI |
| 7:3 | 121-8322 | 1 | Grommet-Mounting, Large | 15 | 3290-378 | 1 | Tie-Cable |
| 7:4 | 121-8327 | 1 | Washer | 16 | 110-1037 | 1 | Grip-Handle |
| 7:5 | 121-8328 | 1 | Nut | 99 | 505-42 | 1 | Adhesive-Loctite |
| 7:6 | 121-8627 | 1 | Cylinder-Mounting, End | | | | |

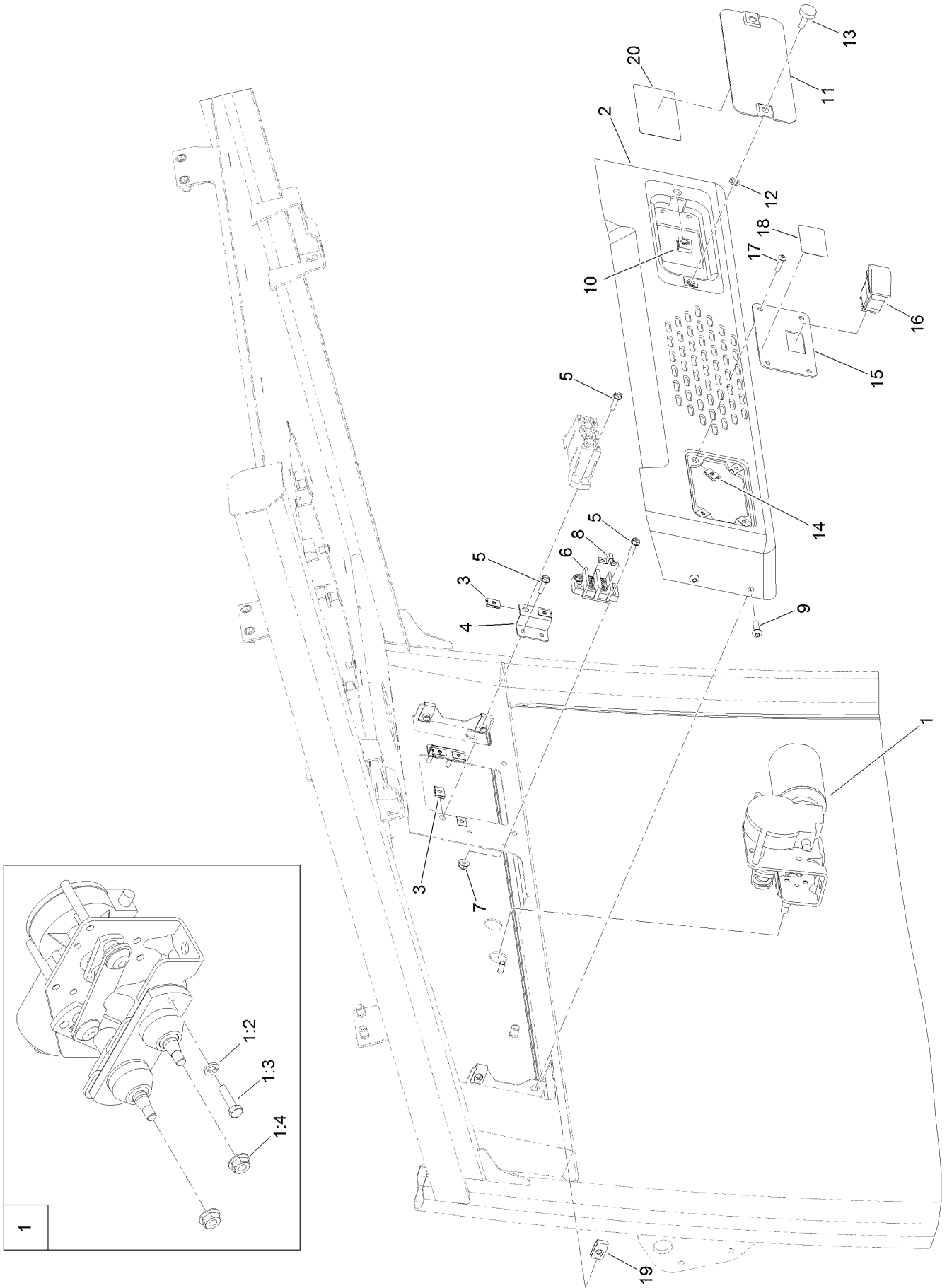
Front and Rear Glass Assembly



Front and Rear Glass Assembly (continued)

| <i>Ref.</i> | <i>Part Number</i> | <i>Qty.</i> | <i>Description</i> | <i>Ref.</i> | <i>Part Number</i> | <i>Qty.</i> | <i>Description</i> |
|-------------|--------------------|-------------|-----------------------|-------------|--------------------|-------------|-----------------------|
| 1 | 140-6575-03 | 2 | Bracket-Cover | 8 | 140-4432 | 2 | Bracket-Mount, Window |
| 2 | 139-2313-03 | 10 | Bracket-Retainer | 9 | 125-9982 | 4 | Bushing-Flange |
| 4 | 32105-15 | 26 | Screw-HWH | 10 | 125-9520 | 2 | Screw-Shoulder, HSH |
| 5 | 137-1209 | 1 | Glass Windshield ASM | 11 | 125-9676 | 2 | Washer-Backup |
| 5:2 | 139-2263 | 1 | Trim-Seal, Windshield | 12 | 104-8300 | 2 | Nut-HF, NI |
| 6 | 139-1971 | 1 | Rear Window ASM | 13 | 3256-67 | 2 | Washer |
| 6:2 | 138-2895 | 1 | Trim-Glass.Rear | | | | |

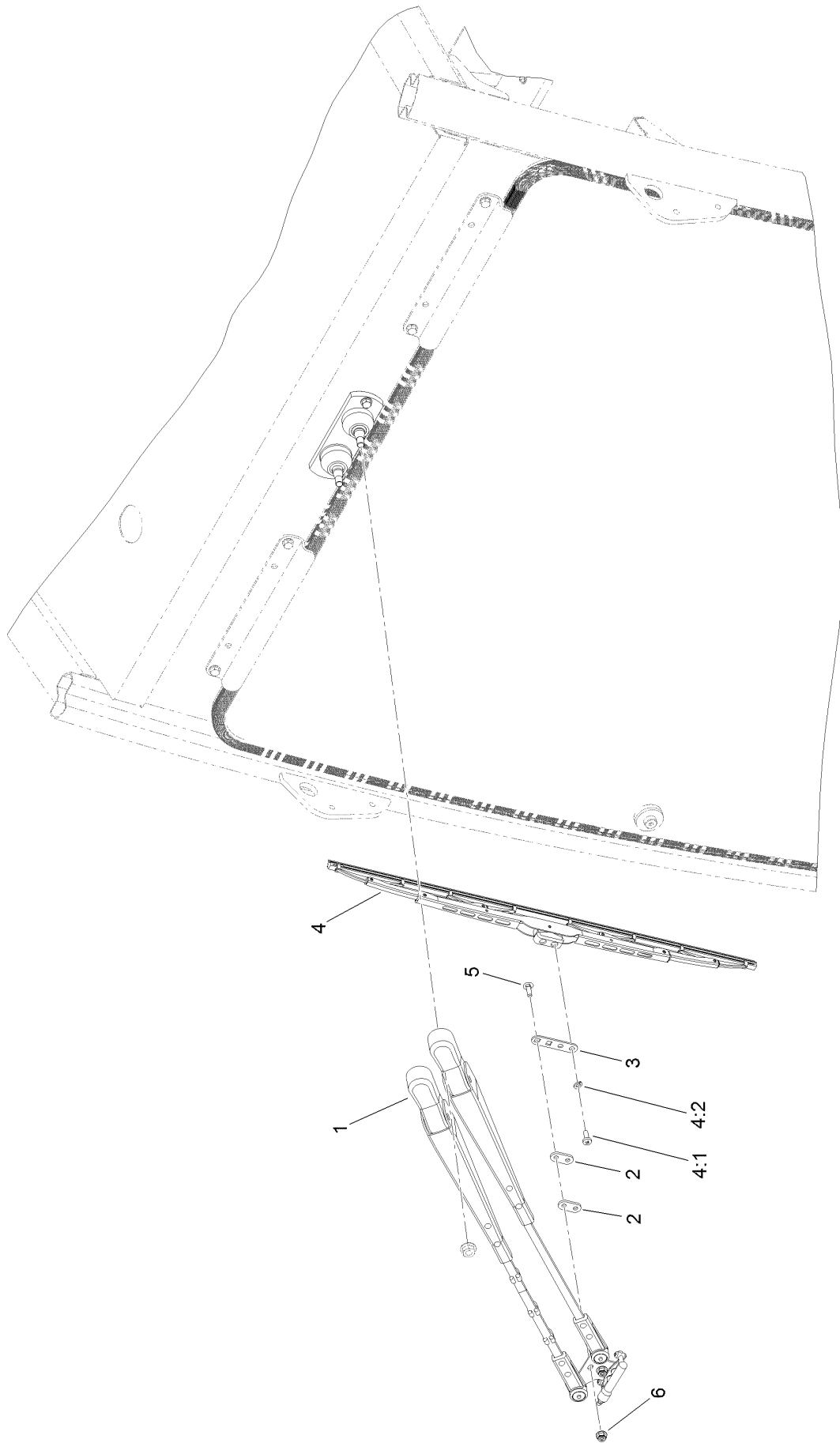
Window Wiper System Assembly



Window Wiper System Assembly (continued)

| <i>Ref.</i> | <i>Part Number</i> | <i>Qty.</i> | <i>Description</i> | <i>Ref.</i> | <i>Part Number</i> | <i>Qty.</i> | <i>Description</i> |
|-------------|--------------------|-------------|------------------------|-------------|--------------------|-------------|---------------------|
| 1 | 125-7452 | 1 | Wiper Motor ASM | 10 | 609900 | 2 | Nut-Speed |
| 1:2 | 3253-3 | 1 | Washer-Lock | 11 | 125-9603-03 | 1 | Plate-Cover, Fuse |
| 1:3 | 33113-025 | 1 | Screw-HH | 12 | 32115-15 | 4 | Nut-Push |
| 1:4 | 112-2844 | 2 | Nut-HF | 13 | 125-7438 | 2 | Knob-Screw, Thumb |
| 2 | 138-2764 | 1 | Cover-Wiper | 14 | 701493 | 4 | Nut-Speed |
| 3 | 107-1013 | 6 | Nut-Speed | 15 | 139-2048-03 | 1 | Plate-Mount, Switch |
| 4 | 138-2822 | 2 | Bracket-Fuse Block | 16 | 119-8355 | 1 | Switch-Rocker |
| 5 | 32105-13 | 8 | Screw-HWH | 17 | 104-2408 | 4 | Screw-HSBH |
| 6 | 42862 | 1 | Block-Terminal, Ground | 18 | 125-9688 | 1 | Decal-Washer |
| 7 | 120-4578 | 2 | Nut-HF | 19 | 107069 | 4 | Clip |
| 8 | 42863 | 1 | Strip-Jumper | 20 | 140-6632 | 1 | Decal-Fuse Panel |
| 9 | 3274-69 | 4 | Screw-HSBH | | | | |

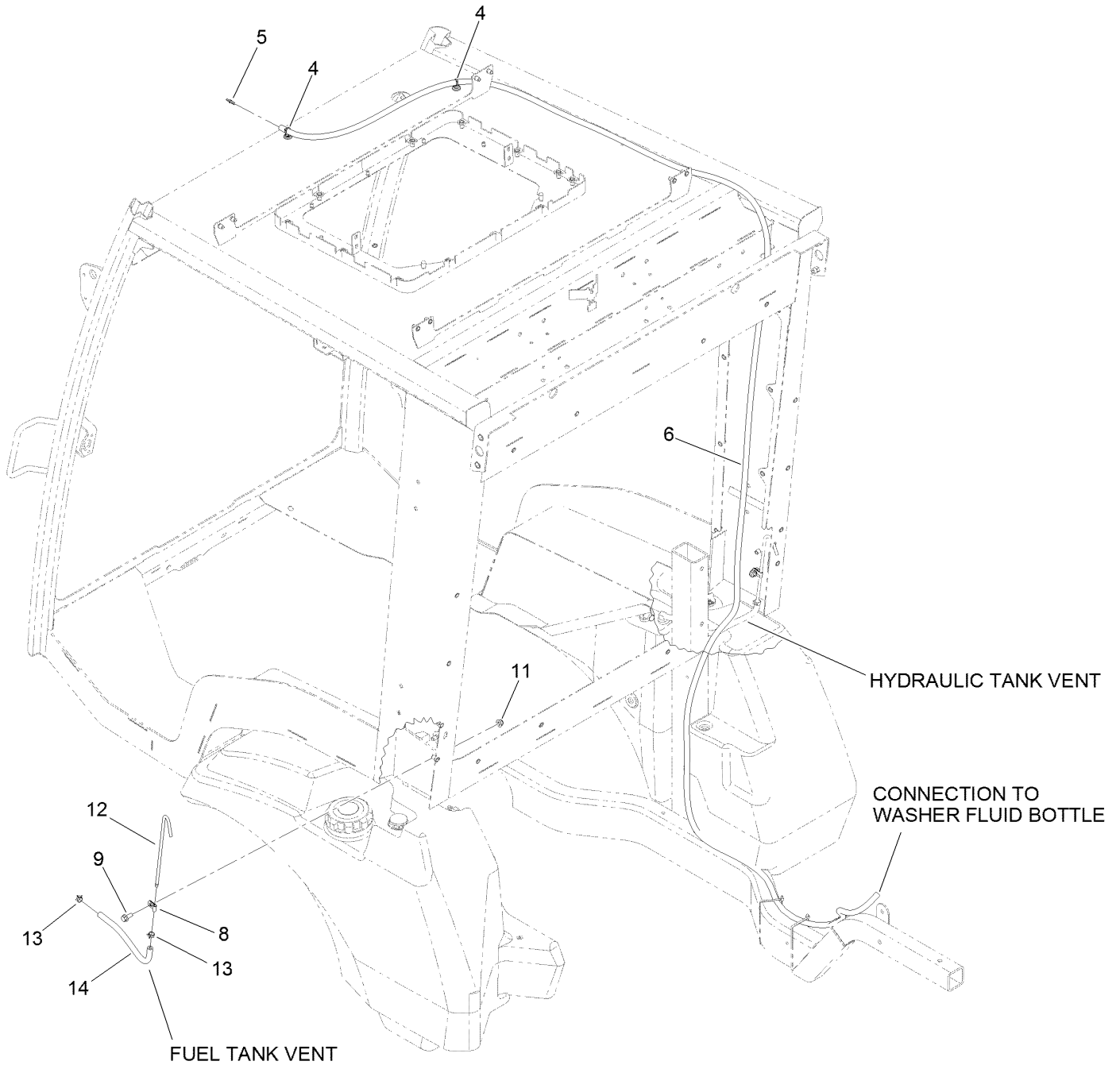
Window Wiper Assembly



Window Wiper Assembly (continued)

| <i>Ref.</i> | <i>Part Number</i> | <i>Qty.</i> | <i>Description</i> | <i>Ref.</i> | <i>Part Number</i> | <i>Qty.</i> | <i>Description</i> |
|-------------|--------------------|-------------|---------------------|-------------|--------------------|-------------|---------------------|
| 1 | 137-1114 | 1 | Arm-Wiper | 4:1 | 47-2830 | 2 | Screw |
| 2 | 139-2250 | 2 | Mount-Wiper, Spacer | 4:2 | 43-5920 | 2 | Washer-Lock, Spring |
| 3 | 140-6556 | 1 | Mount-Wiper | 5 | 3229-20 | 2 | Screw-CARR |
| 4 | 137-1127 | 1 | Blade-Wiper | 6 | 138-0719 | 2 | Nut-HF |

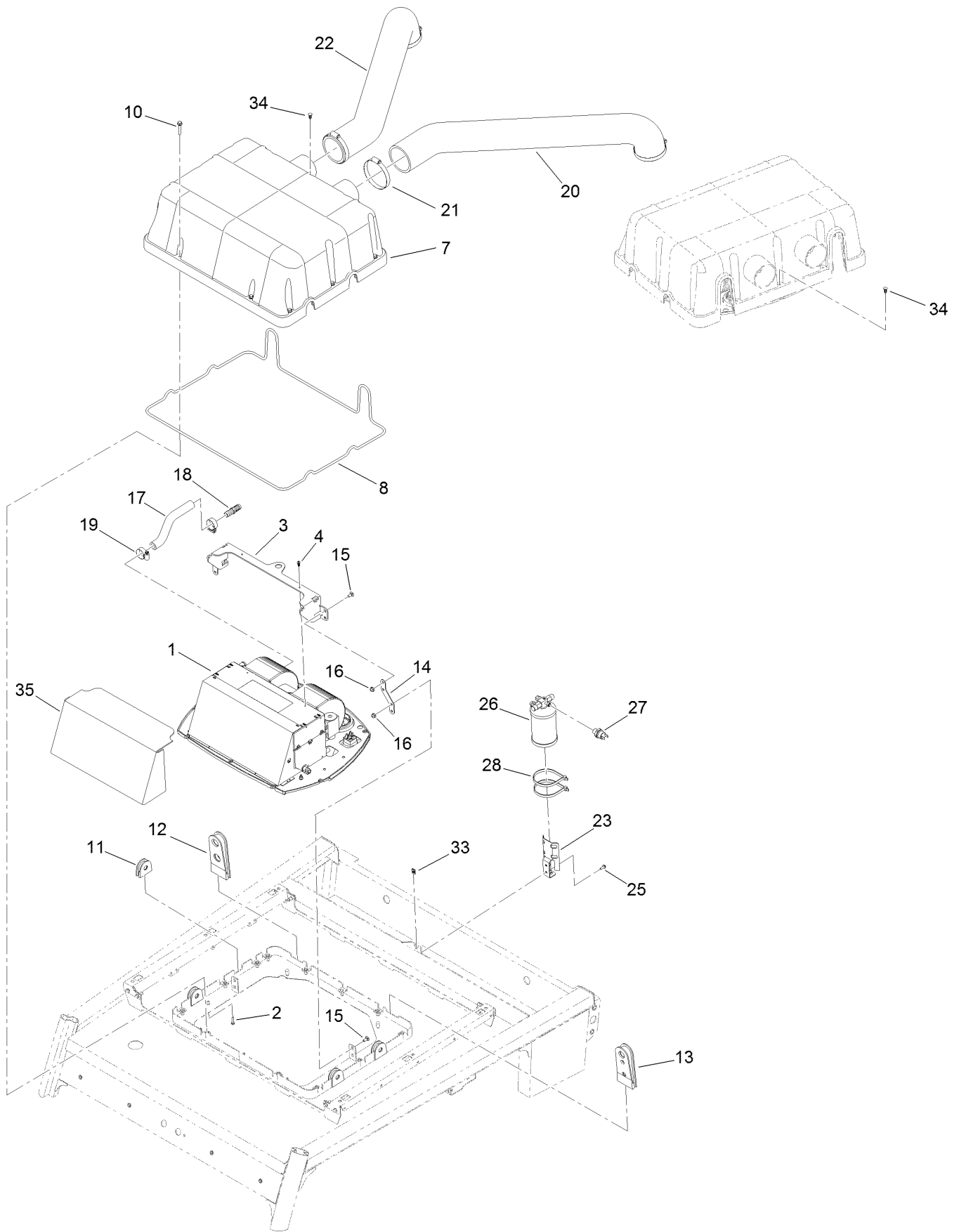
Window Wiper Hose Assembly



Window Wiper Hose Assembly (continued)

| <i>Ref.</i> | <i>Part Number</i> | <i>Qty.</i> | <i>Description</i> | <i>Ref.</i> | <i>Part Number</i> | <i>Qty.</i> | <i>Description</i> |
|-------------|--------------------|-------------|--------------------------|-------------|--------------------|-------------|--------------------|
| 4 | 32180-139 | 2 | Mount-Tie Wrap, Magnetic | 11 | 104-8300 | 2 | Nut-HF, NI |
| 5 | 127-9905 | 1 | Fitting-Hose, Barb | 12 | 139-6252 | 2 | Tube-Vent |
| 6 | 139-2175 | 1 | Hose-Washer Fluid | 13 | 2412-98 | 2 | Clamp-Hose |
| 8 | 2412-103 | 2 | Clamp | 14 | 139-6253 | 2 | Hose-Fuel |
| 9 | 3234-47 | 2 | Screw-HHF | | | | |

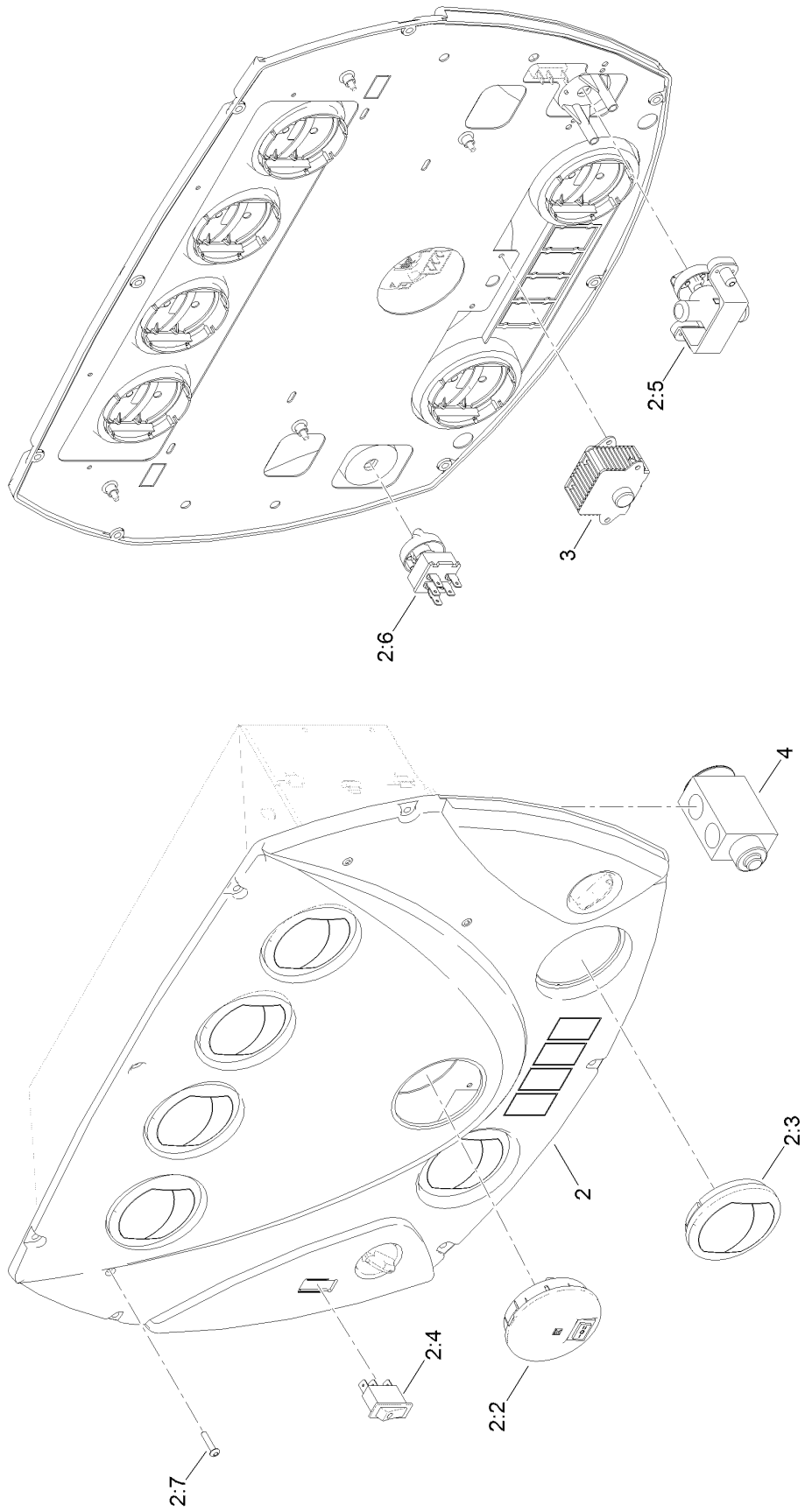
Heater Assembly



Heater Assembly (continued)

| <i>Ref.</i> | <i>Part Number</i> | <i>Qty.</i> | <i>Description</i> | <i>Ref.</i> | <i>Part Number</i> | <i>Qty.</i> | <i>Description</i> |
|-------------|--------------------|-------------|-----------------------|-------------|--------------------|-------------|-----------------------|
| 1 | 139-2308 | 1 | AC/Heat ASM | 18 | 131-3373 | 1 | Fitting-STR |
| 2 | 3250-27 | 8 | Screw-PPH | 19 | 2412-129 | 2 | Clamp-Hose |
| 3 | 139-2317-03 | 1 | Mount-Install | 20 | 139-1928 | 1 | Hose-Intake, LH |
| 4 | 137-9137 | 6 | Screw-PPH | 21 | 2412-110 | 4 | Clamp-Band/Screw |
| 7 | 138-2827 | 1 | Cover-A/C | 22 | 139-1929 | 1 | Hose-Intake, RH |
| 8 | 138-2831 | 1 | Seal-Cord, Foam | 23 | 138-2790 | 1 | Bracket-Mount, Drier |
| 10 | 131-5927 | 11 | Screw-HHF | 25 | 32105-23 | 2 | Screw |
| 11 | 140-6566 | 4 | Plug - A/C Drain Line | 26 | 130-5999 | 1 | Drier-Receiver |
| 12 | 138-2816 | 1 | Plug-Lines, Heat | 27 | 119-4501 | 1 | Switch-Function, Dual |
| 13 | 140-1624 | 1 | Plug-A/C Lines | 28 | 3334-945 | 2 | Tie-Cable |
| 14 | 139-2316 | 2 | Support-AC | 33 | 701493 | 2 | Nut-Speed |
| 15 | 3229-11 | 8 | Screw-CARR | 34 | 114-4899 | 1 | Rivet-Push |
| 16 | 104-7201 | 8 | Nut-HF, NI | 35 | 140-6646 | 1 | Insulation-AC |
| 17 | 139-2177 | 1 | Hose-Heater, Formed | | | | |

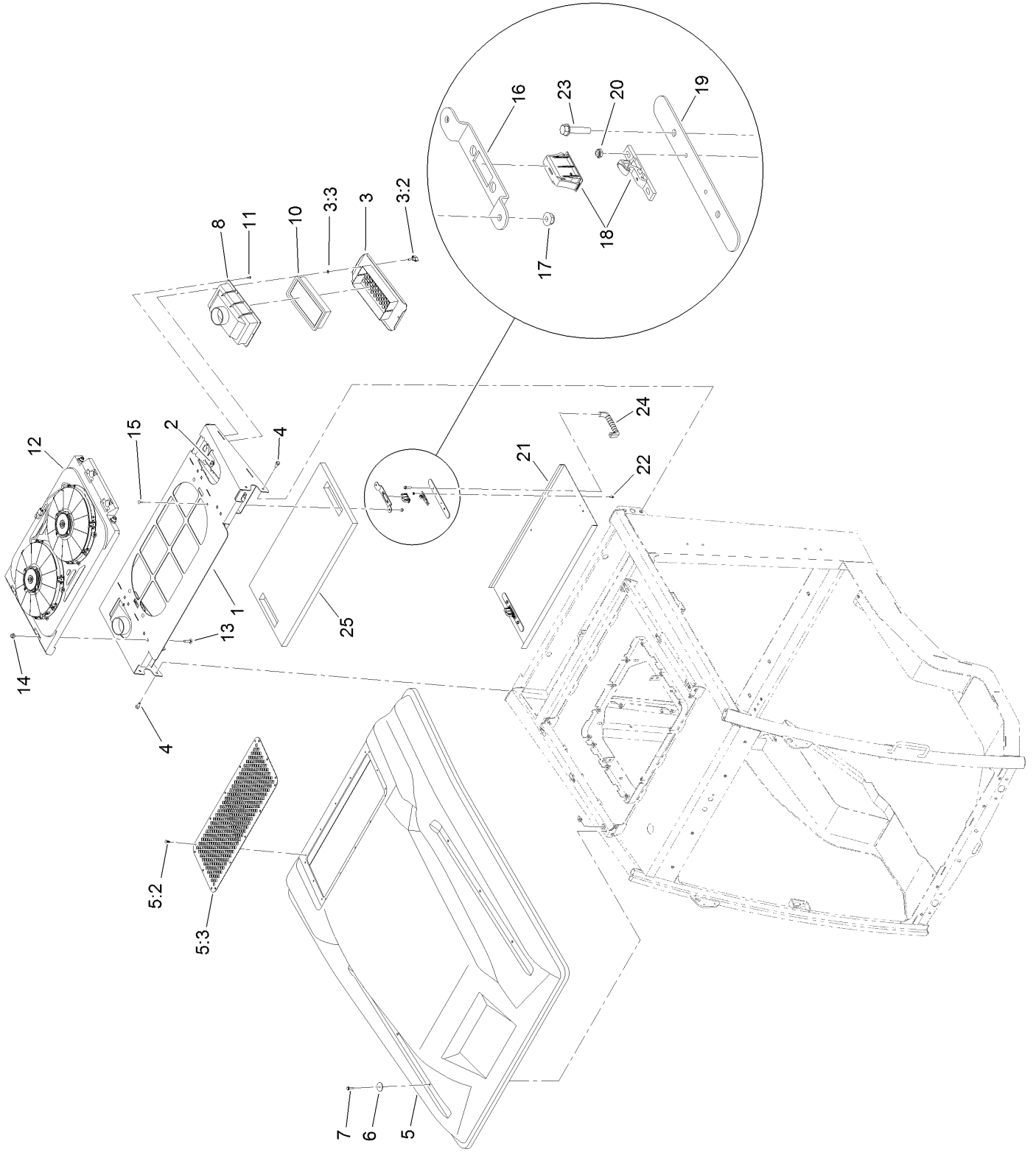
Heater Control Panel Assembly



Heater Control Panel Assembly (continued)

| <i>Ref.</i> | <i>Part Number</i> | <i>Qty.</i> | <i>Description</i> | <i>Ref.</i> | <i>Part Number</i> | <i>Qty.</i> | <i>Description</i> |
|-------------|--------------------|-------------|--------------------------|-------------|--------------------|-------------|---------------------|
| 2 | 137-1357 | 1 | Heater Control Panel ASM | 2:6 | 138-2956 | 1 | Switch-Fan |
| 2:2 | 137-1378 | 1 | Light-Cab, Interior | 2:7 | 119-7444 | 4 | Screw-HSBH |
| 2:3 | 138-2959 | 6 | Vent-Return | 3 | 138-2967 | 1 | Thermostat-Resistor |
| 2:4 | 138-2958 | 1 | Switch-A/C | 4 | 138-2912 | 1 | Expansion-Valve |
| 2:5 | 138-2961 | 1 | Valve-Heat | | | | |

Roof, Air Filter and Condenser Assembly



Roof, Air Filter and Condenser Assembly (continued)

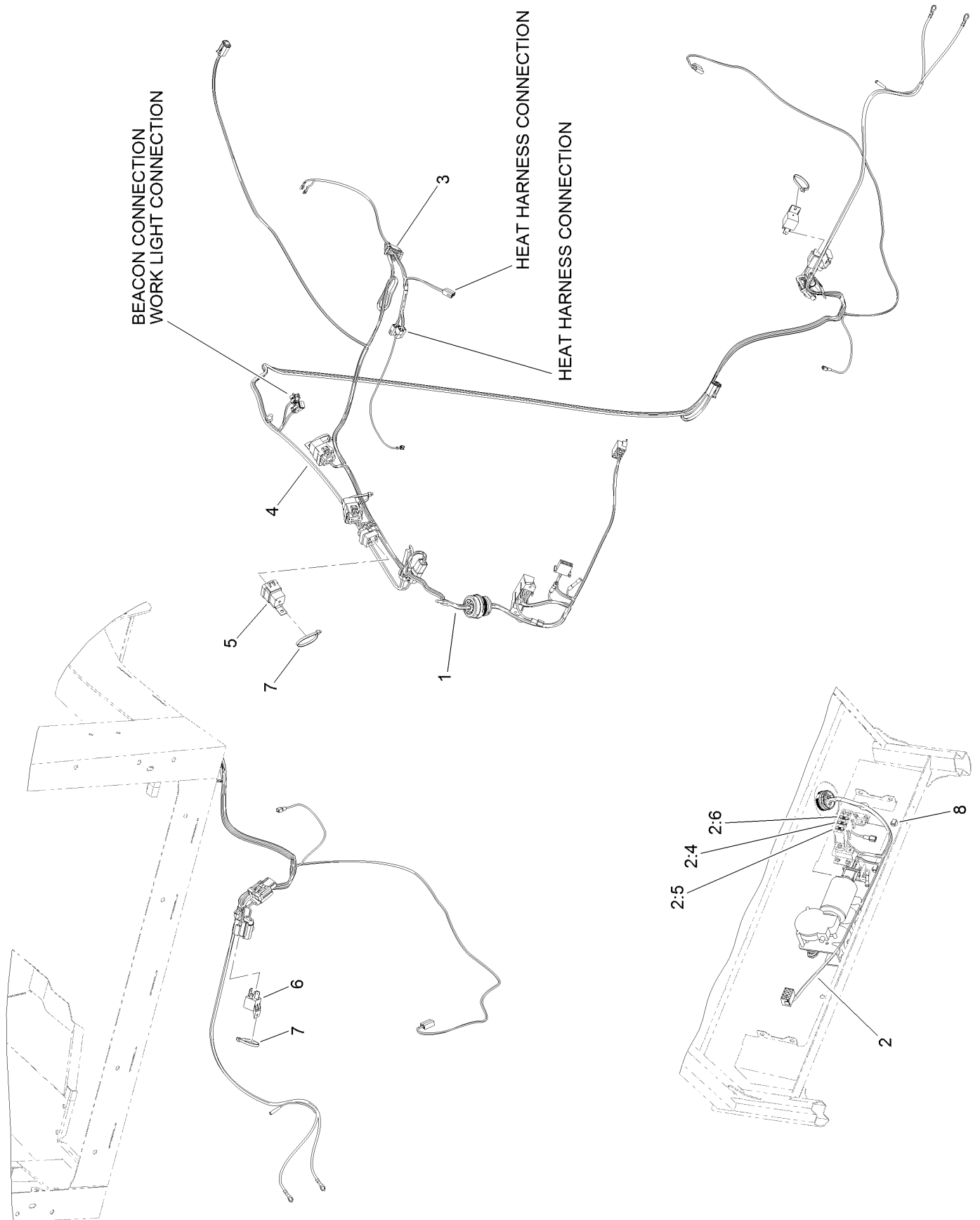
| <i>Ref.</i> | <i>Part Number</i> | <i>Qty.</i> | <i>Description</i> | <i>Ref.</i> | <i>Part Number</i> | <i>Qty.</i> | <i>Description</i> |
|-------------|--------------------|-------------|--------------------|-------------|--------------------|-------------|---------------------|
| 1 | 139-1958-03 | 1 | Wing-Rear | 12 | 138-2907 | 1 | Condenser |
| 2 | 107069 | 4 | Clip | 13 | 3231-28 | 4 | Screw-CARR |
| 3 | 137-1397 | 2 | Filter Cover ASM | 14 | 104-8301 | 4 | Nut-HF, NI |
| 3:2 | 126-5846 | 2 | Knob-T | 15 | 3229-11 | 4 | Screw-CARR |
| 3:3 | 32115-15 | 2 | Nut-Push | 16 | 138-2742 | 2 | Mount-Latch |
| 4 | 3234-47 | 4 | Screw-HHF | 17 | 104-7201 | 4 | Nut-HF, NI |
| 5 | 139-1898 | 1 | Roof ASM | 18 | 130-0643 | 2 | Latch-Push To Close |
| 5:2 | 138-2714-03 | 1 | Screen-Roof | 19 | 138-2744-03 | 2 | Plate-Backing |
| 5:3 | 114-4899 | 16 | Rivet-Push | 20 | 3296-54 | 4 | Nut-Lock |
| 6 | 136-7176 | 6 | Washer-Fender | 21 | 139-1923-03 | 1 | Pre-Filter, Screen |
| 7 | 120-4654 | 6 | Screw-HHF | 22 | 112-3169 | 4 | Screw-HHF, Serrated |
| 8 | 137-1281 | 2 | Box-Intake, Air | 23 | 137-3101 | 4 | Screw-Plastic, HWH |
| 10 | 121-8457 | 2 | Filter-Air | 24 | 65-5100 | 2 | Handle-Door |
| 11 | 3290-55 | 20 | Rivet-Pop | 25 | 139-1922 | 1 | Filter-Pre-Scren |

Heat Hose Assembly (continued)

| <i>Ref.</i> | <i>Part Number</i> | <i>Qty.</i> | <i>Description</i> | <i>Ref.</i> | <i>Part Number</i> | <i>Qty.</i> | <i>Description</i> |
|-------------|--------------------|-------------|------------------------|-------------|--------------------|-------------|--------------------------|
| 3 | 140-6573 | 4 | Hose-Drain | 11 | 139-1994 | 2 | Hose-Drain |
| 4 | 139-1983 | 1 | Hose ASM-AC | 12 | 139-1995 | 2 | Hose-Drain |
| 4:2 | 130-5751 | 2 | Fitting-Female, 90 DEG | 13 | 2412-119 | 2 | Clamp-Hose, Worm Drive |
| 4:2:1 | 130-5772 | 1 | Fitting Kit | 14 | 32180-139 | 4 | Mount-Tie Wrap, Magnetic |
| 4:2:2 | 117-2778 | 1 | O-Ring | 15 | 139-2178 | 4 | Fitting-Elbow 90 |
| 5 | 139-1984 | 1 | Hose ASM-AC, Drier | 18 | 139-1991 | 1 | Hose-Refrigerant |
| 5:2 | 138-2963 | 1 | Fitting-Straight, Male | 20 | 130-5944 | 1 | Fitting-Male, Straight |
| 5:2:1 | 130-5772 | 1 | Fitting Kit | 20:1 | 130-5775 | 1 | Fitting Kit |
| 5:2:2 | 117-2778 | 1 | O-Ring | 20:2 | 117-2780 | 1 | O-Ring |
| 5:3 | 139-2251 | 1 | Ftg-45 DEG, Female | 21 | 139-1992 | 1 | Hose-Refrigerant |
| 5:3:1 | 130-5772 | 1 | Fitting Kit | 22 | 139-2252 | 1 | Ftg-45 DEG, Female |
| 8 | 139-1987 | 2 | Hose-Heater, 5/8 | 22:1 | 130-5773 | 1 | Fitting Kit |
| 9 | 139-1993 | 2 | Hose-Drain | 22:2 | 117-2779 | 1 | O-Ring |
| 10 | 138-2751 | 4 | Fitting-Tee, Barb | 24 | 130-8304 | 4 | Tape-Refrigeration ● |

● Not illustrated

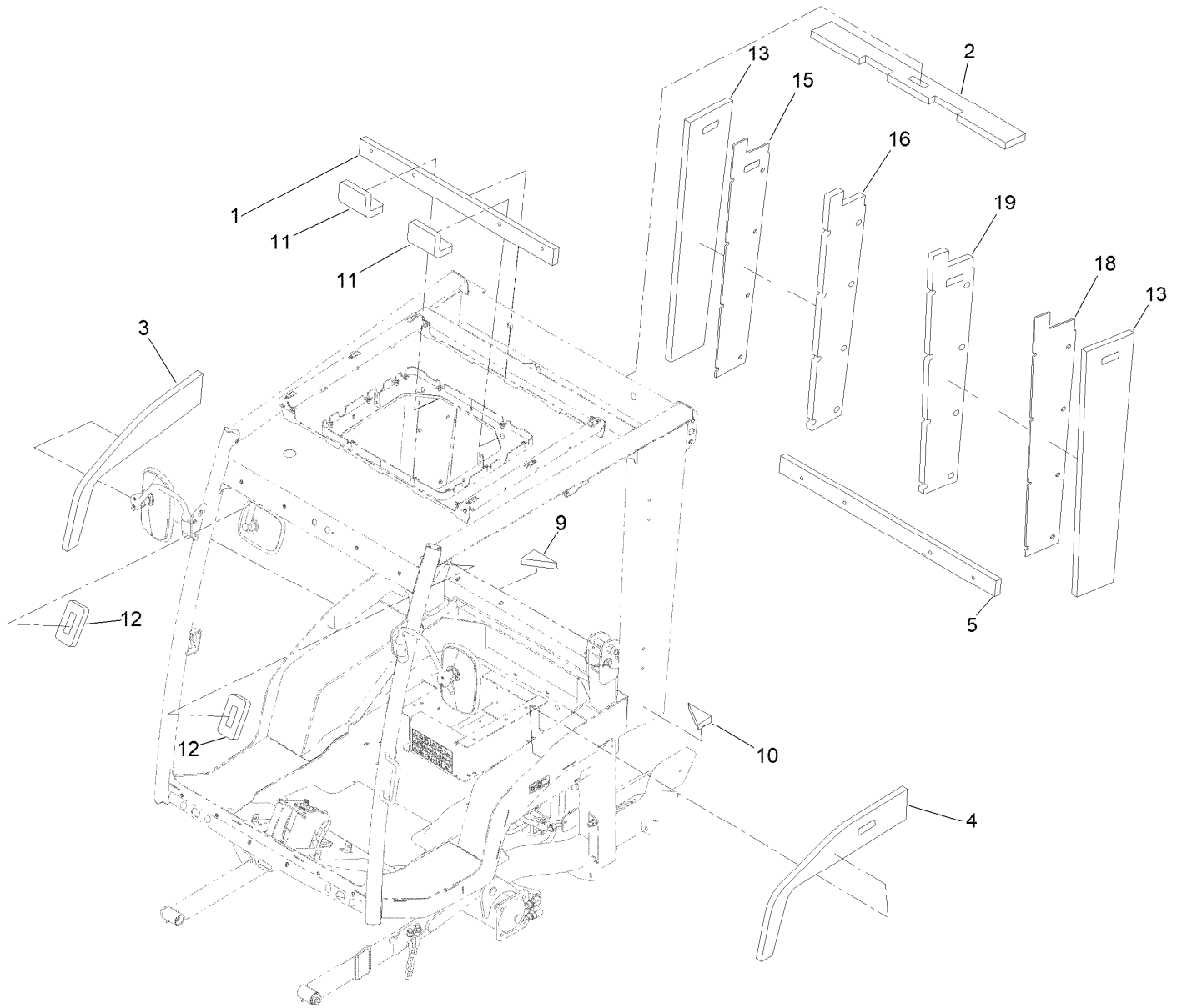
Electrical Component Assembly



Electrical Component Assembly (continued)

| <i>Ref.</i> | <i>Part Number</i> | <i>Qty.</i> | <i>Description</i> | <i>Ref.</i> | <i>Part Number</i> | <i>Qty.</i> | <i>Description</i> |
|-------------|--------------------|-------------|-------------------------|-------------|--------------------|-------------|-------------------------|
| 1 | 122-1245 | 1 | Harness-Wire, A/C Roof | 4 | 122-1435 | 1 | Harness-Wire, Cab Power |
| 2 | 122-1660 | 1 | Harness-Wire, A/C Panel | 5 | 99-7430 | 3 | Relay-Mini |
| 2:4 | 109101 | 1 | Fuse-Blade, 20 Amp | 6 | 99-7435 | 1 | Relay |
| 2:5 | 109102 | 1 | Fuse-Blade, 25 Amp | 7 | 3290-378 | 6 | Tie-Cable |
| 2:6 | 99-6124 | 1 | Fuse-40 Amp | 8 | 32180-030 | 2 | Clip-Tie |
| 3 | 122-1678 | 1 | Harness-Wire, Adapter | | | | |

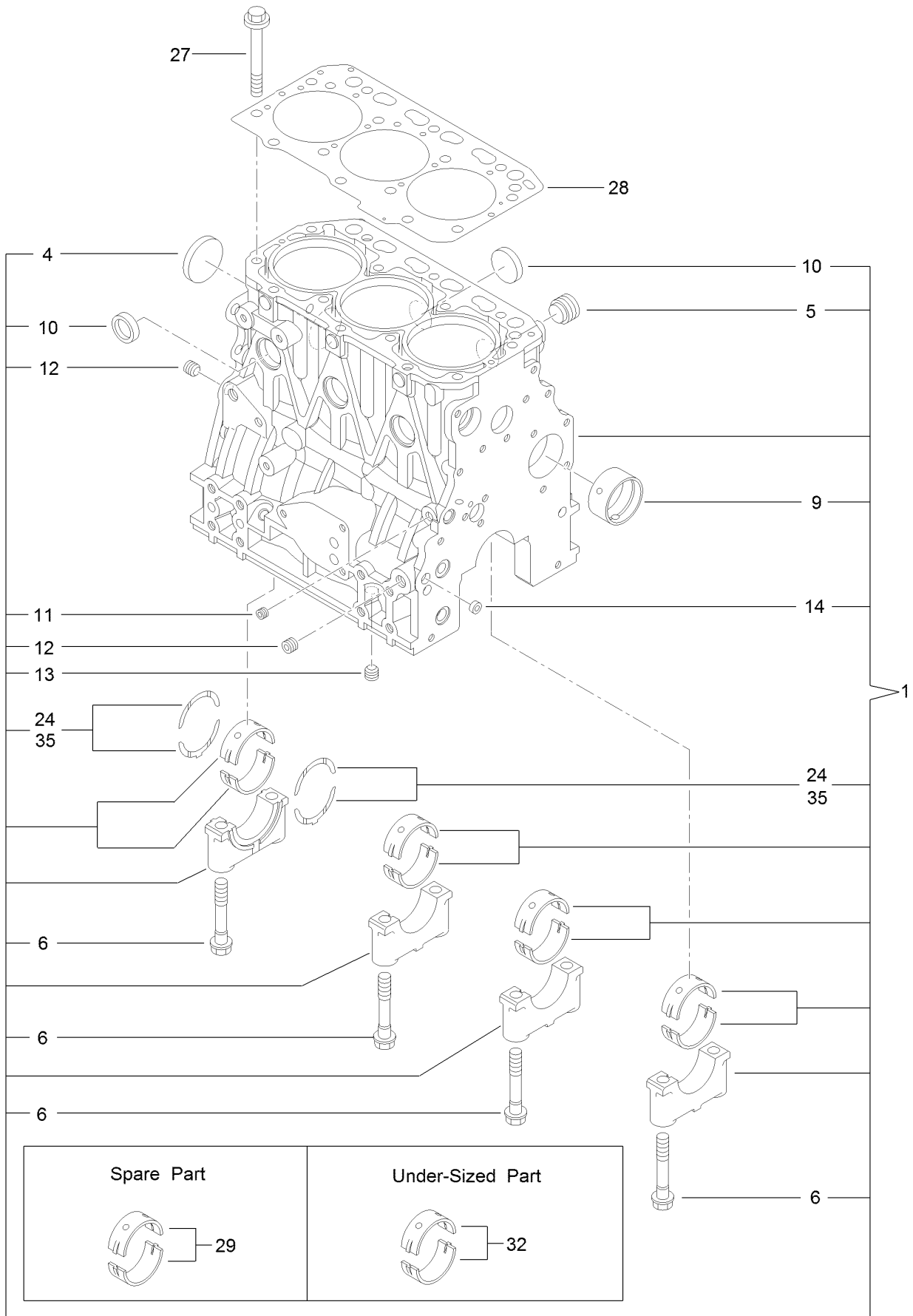
Cab Sound Reduction Assembly



Cab Sound Reduction Assembly (continued)

| <i>Ref.</i> | <i>Part Number</i> | <i>Qty.</i> | <i>Description</i> | <i>Ref.</i> | <i>Part Number</i> | <i>Qty.</i> | <i>Description</i> |
|-------------|--------------------|-------------|--------------------|-------------|--------------------|-------------|------------------------------|
| 1 | 140-6886 | 1 | Rear-Window | 12 | 144-3238 | 2 | Dash-Pad |
| 2 | 140-6887 | 1 | Rear-Ceiling | 13 | 140-6884 | 2 | Pillar-Pad, Rear |
| 3 | 140-6888 | 1 | Side-Door, RH | 15 | 140-6737 | 1 | Panel-Sound Dampening, RH |
| 4 | 140-6889 | 1 | Side-Door, LH | 16 | 144-3235 | 1 | Pillar-Pad, Rear RH |
| 5 | 140-6890 | 1 | Rear-Window | 18 | 140-6738 | 1 | Panel-Sound, Dampening LH |
| 9 | 140-6894 | 1 | Tile-Corner, RH | 19 | 144-3236 | 1 | Pillar-Pad, Rear LH |
| 10 | 140-6895 | 1 | Tile-Corner, LH | | | | |
| 11 | 144-3237 | 2 | ROPS-Pad | | | | |

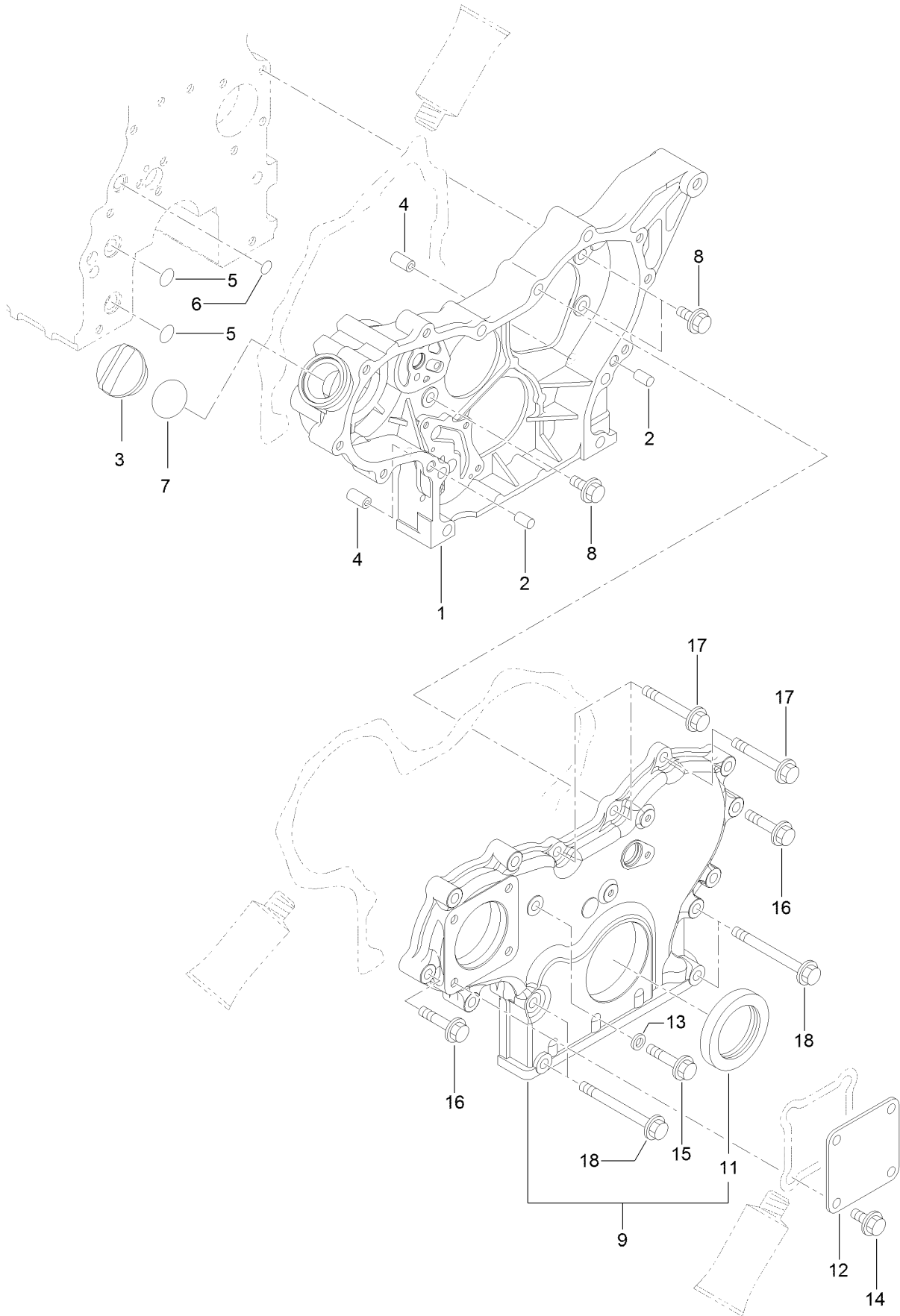
Cylinder Block Assembly



Cylinder Block Assembly (continued)

| <i>Ref.</i> | <i>Part Number</i> | <i>Qty.</i> | <i>Description</i> | <i>Ref.</i> | <i>Part Number</i> | <i>Qty.</i> | <i>Description</i> |
|-------------|--------------------|-------------|--------------------|-------------|--------------------|-------------|---------------------|
| 1 | 127-4717 | 1 | Cylinder Block ASM | 13 | 125-6973 | 1 | Plug |
| 4 | 125-6980 | 1 | Plug | 14 | 125-7237 | 1 | Plug |
| 5 | 125-7170 | 1 | Plug | 24 | 125-7010 | 2 | Metal-Thrust |
| 6 | 125-7007 | 8 | Bolt | 27 | 125-7006 | 14 | Bolt |
| 9 | 125-7108 | 1 | Bushing | 28 | 127-4716 | 1 | Head Gasket ASM |
| 10 | 140-7182 | 6 | Plug 30 | 29 | 125-6981 | 4 | Metal-Main |
| 11 | 125-6969 | 1 | Plug | 32 | 125-7009 | 4 | Metal-Main (0.25) |
| 12 | 125-6973 | 2 | Plug | 35 | 125-7011 | 1 | Metal-Thrust (0.25) |

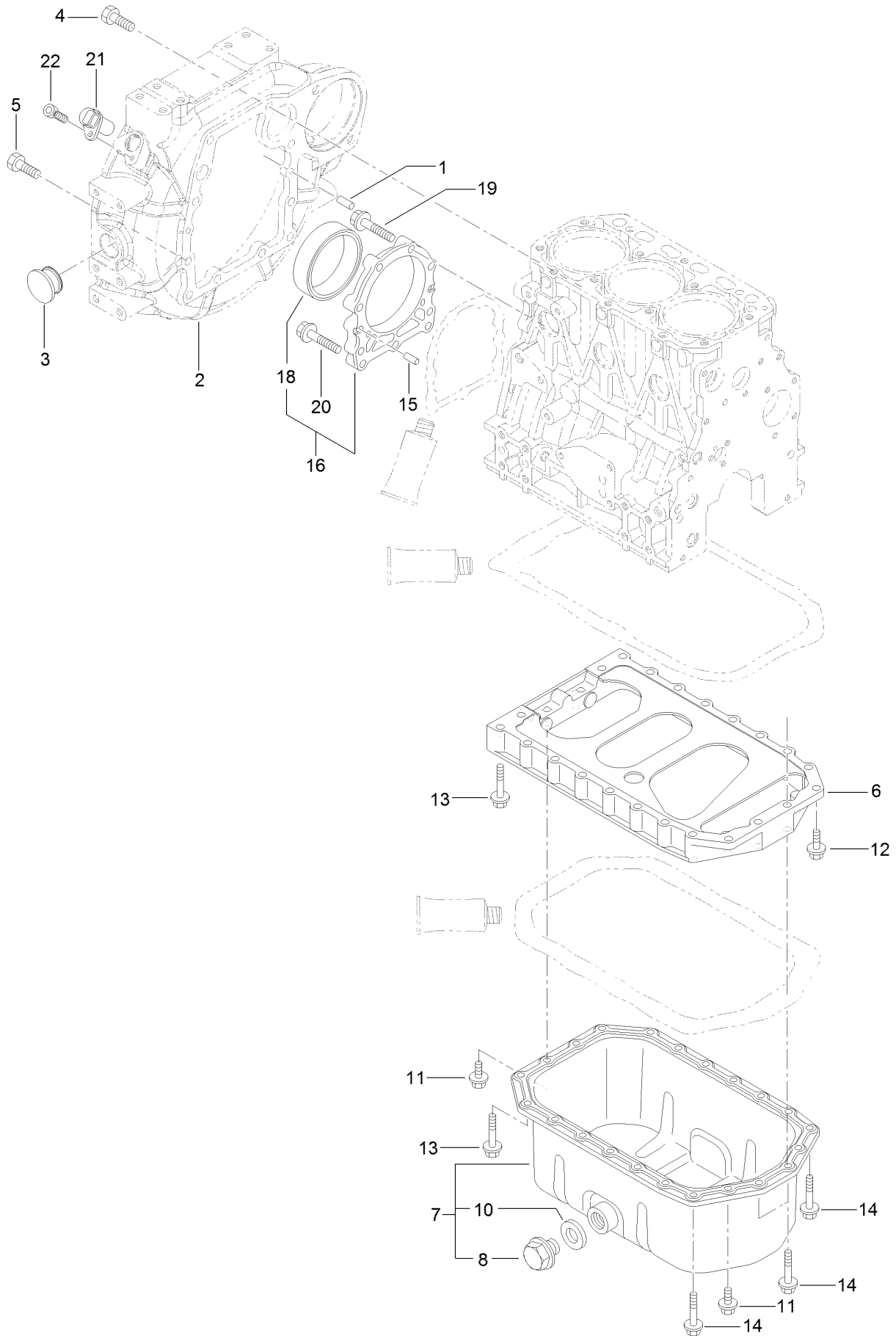
Gear Housing Assembly



Gear Housing Assembly (continued)

| <i>Ref.</i> | <i>Part Number</i> | <i>Qty.</i> | <i>Description</i> | <i>Ref.</i> | <i>Part Number</i> | <i>Qty.</i> | <i>Description</i> |
|-------------|--------------------|-------------|--------------------|-------------|--------------------|-------------|--------------------|
| 1 | 127-3023 | 1 | Case-Gear | 11 | 125-6944 | 1 | Seal-Oil |
| 2 | 125-6995 | 2 | Pin | 12 | 125-6977 | 1 | Cover |
| 3 | 125-6972 | 1 | Cover-Filler | 13 | 125-7174 | 1 | Washer-Seal |
| 4 | 125-7107 | 2 | Pipe | 14 | 125-7214 | 4 | Bolt |
| 5 | 125-6909 | 2 | O-Ring | 15 | 125-7217 | 1 | Bolt |
| 6 | 127-2973 | 1 | O-Ring | 16 | 125-7218 | 7 | Bolt |
| 7 | 125-7197 | 1 | O-Ring | 17 | 125-7222 | 3 | Bolt |
| 8 | 125-7214 | 3 | Bolt | 18 | 125-7224 | 4 | Bolt |
| 9 | 127-3024 | 1 | Gearcase Cover ASM | | | | |

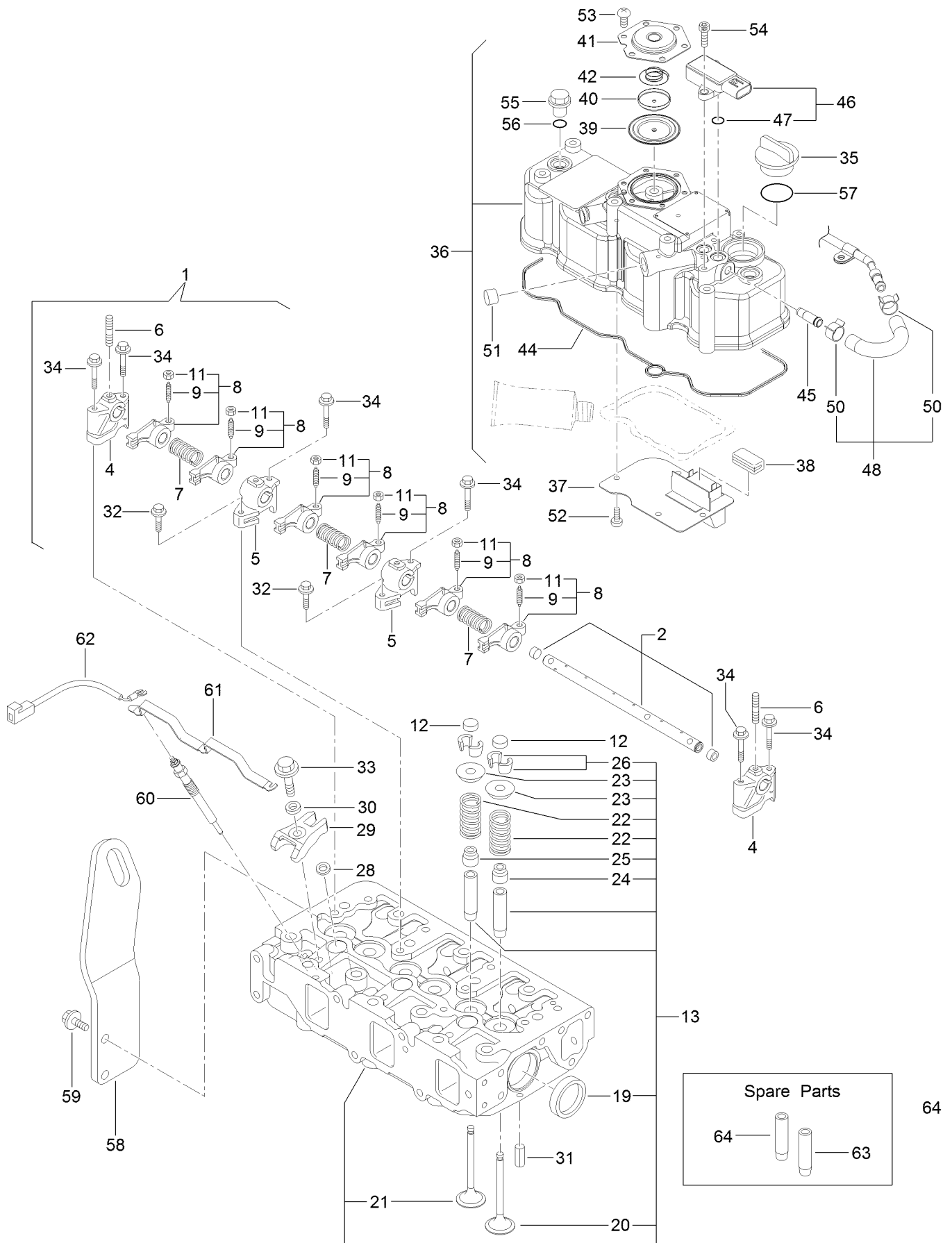
Flywheel Housing and Oil Sump Assembly



Flywheel Housing and Oil Sump Assembly (continued)

| <i>Ref.</i> | <i>Part Number</i> | <i>Qty.</i> | <i>Description</i> | <i>Ref.</i> | <i>Part Number</i> | <i>Qty.</i> | <i>Description</i> |
|-------------|--------------------|-------------|--------------------|-------------|--------------------|-------------|----------------------|
| 1 | 125-6995 | 2 | Pin | 12 | 125-7215 | 2 | Bolt |
| 2 | 127-3025 | 1 | Housing-Flywheel | 13 | 125-7219 | 16 | Bolt |
| 3 | 125-6910 | 1 | Cap | 14 | 125-7220 | 4 | Bolt |
| 4 | 125-7226 | 6 | Bolt | 15 | 125-6995 | 2 | Pin |
| 5 | 125-7227 | 4 | Bolt | 16 | 140-7173 | 1 | Oil Seal Case ASM |
| 6 | 127-3756 | 1 | Spacer | 18 | 140-7174 | 1 | Seal-Oil |
| 7 | 135-4010 | 1 | Oil Pan ASM | 19 | 125-7045 | 6 | Bolt |
| 8 | 125-6912 | 1 | Plug-Drain | 20 | 125-7217 | 3 | Bolt |
| 10 | 125-7177 | 1 | Washer-Seal | 21 | 127-3062 | 1 | Sensor-Rev, Flywheel |
| 11 | 125-7214 | 4 | Bolt | 22 | 127-3184 | 1 | Bolt |

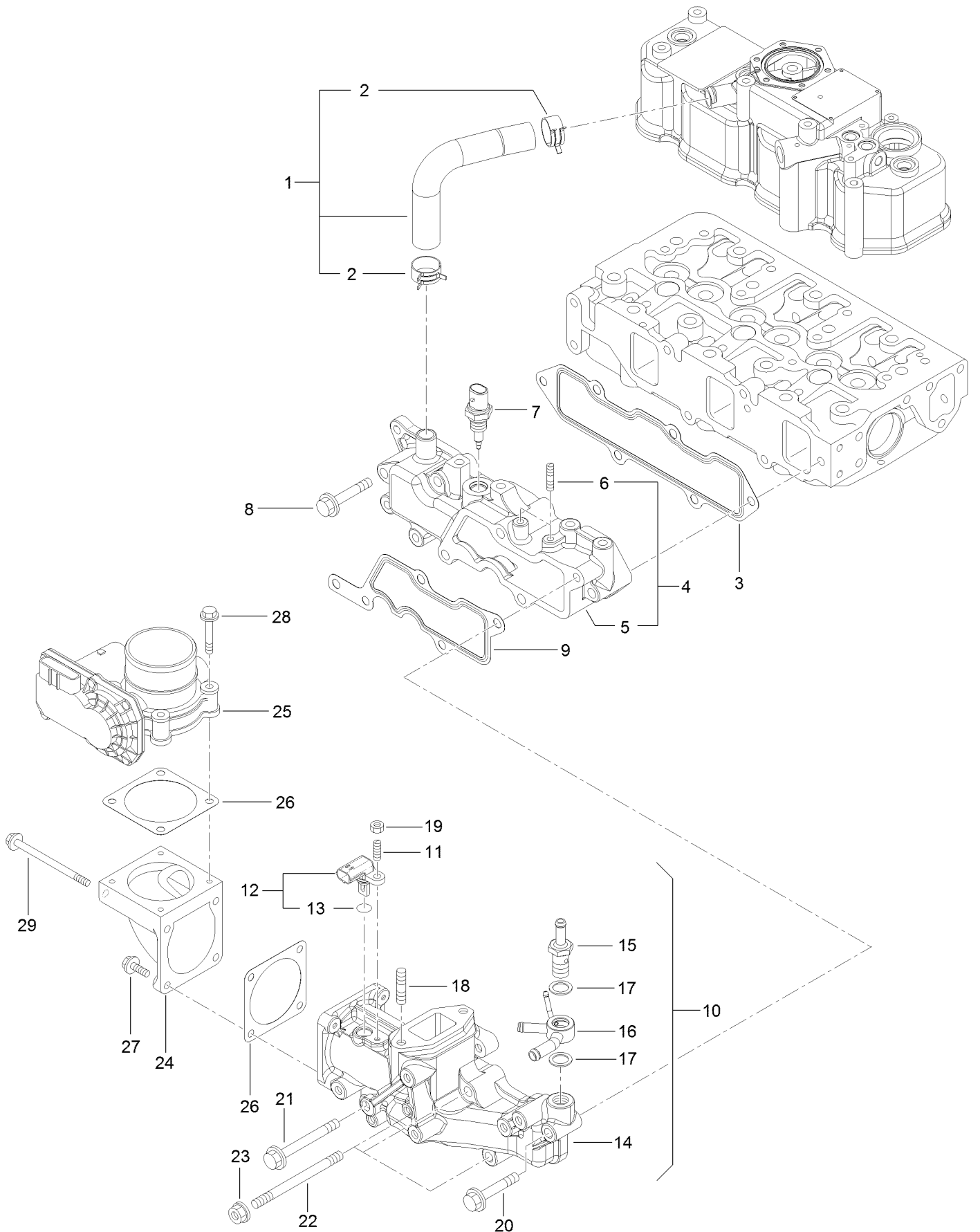
Cylinder Head and Cover Assembly



Cylinder Head and Cover Assembly (continued)

| <i>Ref.</i> | <i>Part Number</i> | <i>Qty.</i> | <i>Description</i> | <i>Ref.</i> | <i>Part Number</i> | <i>Qty.</i> | <i>Description</i> |
|-------------|--------------------|-------------|-------------------------|-------------|--------------------|-------------|-----------------------------|
| 1 | 127-3757 | 1 | Shaft ASM | 37 | 127-2988 | 1 | Plate |
| 2 | 127-3758 | 1 | Shaft | 38 | 125-7012 | 1 | Baffle |
| 4 | 127-2974 | 2 | Support | 39 | 125-6959 | 1 | Diaphragm |
| 5 | 127-2975 | 2 | Support | 40 | 125-6960 | 1 | Plate |
| 6 | 135-4012 | 3 | Bolt,Stud | 41 | 125-6961 | 1 | Plate-Breather |
| 7 | 127-2995 | 3 | Spring | 42 | 125-6962 | 1 | Spring-Diaphragm |
| 8 | 127-2989 | 6 | Arm-Rocker | 44 | 127-3762 | 1 | Gasket-Cover, Cylinder Head |
| 9 | 125-7013 | 6 | Screw-Adjust, Valve | | | | |
| 11 | 125-7014 | 6 | Nut | 45 | 127-3026 | 1 | Joint |
| 12 | 127-2996 | 6 | Cap-Valve | 46 | 127-3029 | 1 | Sensor-Pressure |
| 13 | 139-6014 | 1 | Cylinder Head ASM | 47 | 127-3032 | 2 | O Ring-Sensor, Pressure |
| 19 | 125-7240 | 2 | Plug | 48 | 127-3040 | 1 | Hose ASM |
| 20 | 127-2990 | 3 | Valve | 50 | 127-3041 | 2 | Clip-Hose |
| 21 | 127-4710 | 3 | Valve | 51 | 125-6913 | 1 | Plug |
| 22 | 127-3012 | 6 | Spring | 52 | 125-7186 | 4 | Screw |
| 23 | 127-3013 | 6 | Retainer-Spring | 53 | 125-7186 | 6 | Screw |
| 24 | 127-2986 | 3 | Seal-Stem, Valve | 54 | 127-3184 | 2 | Bolt |
| 25 | 127-3027 | 3 | Seal-Stem, Valve | 55 | 125-6974 | 3 | Knob |
| 26 | 127-3186 | 6 | Pin-Cotter | 56 | 138-7829 | 3 | O-Ring |
| 28 | 127-3021 | 3 | Gasket-Injector | 57 | 125-7197 | 1 | O-Ring |
| 29 | 127-3028 | 3 | Retainer-Injector | 58 | 127-4718 | 1 | Lifter-Engine |
| 30 | 127-2980 | 3 | Washer-Injector | 59 | 125-7595 | 2 | Bolt |
| 31 | 125-7184 | 2 | Pin-Spring | 60 | 127-2991 | 3 | Plug-Glow |
| 32 | 125-7215 | 2 | Bolt | 61 | 127-3768 | 1 | Connector-Plug, Glow |
| 33 | 125-7217 | 3 | Bolt | 62 | 131-2704 | 1 | Harness-Wire |
| 34 | 125-7220 | 6 | Bolt | 63 | 127-2979 | 3 | Guide |
| 35 | 125-6972 | 1 | Cover-Filler | 64 | 127-2997 | 3 | Guide-Valve |
| 36 | 127-4719 | 1 | Cylinder Head Cover ASM | | | | |

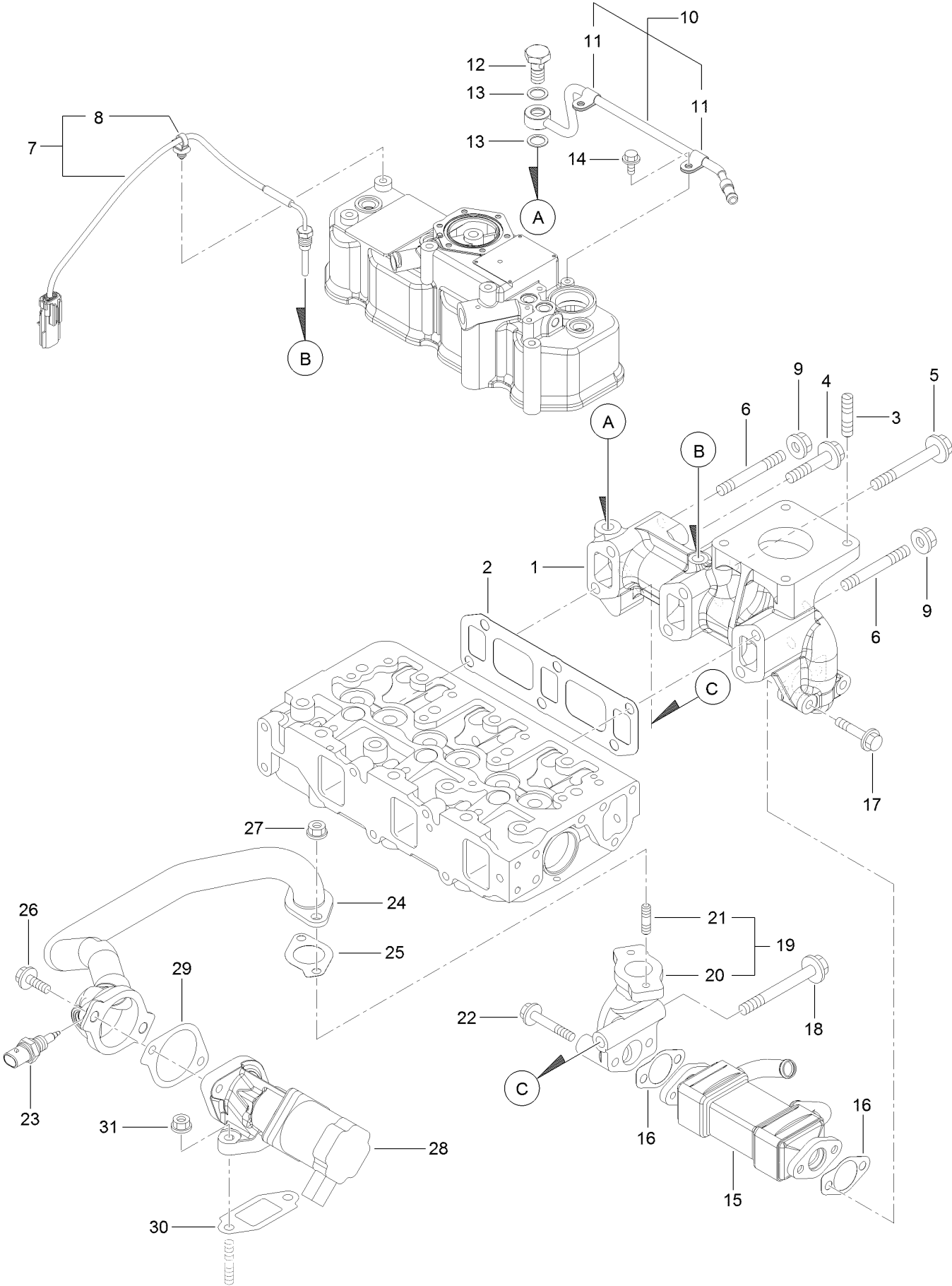
Suction Manifold Assembly



Suction Manifold Assembly (continued)

| <i>Ref.</i> | <i>Part Number</i> | <i>Qty.</i> | <i>Description</i> | <i>Ref.</i> | <i>Part Number</i> | <i>Qty.</i> | <i>Description</i> |
|-------------|--------------------|-------------|-------------------------|-------------|--------------------|-------------|--------------------|
| 1 | 127-4704 | 1 | Pipe | 16 | 127-3081 | 1 | Joint-Hose |
| 2 | 125-7040 | 2 | Clip-Hose | 17 | 127-3166 | 2 | Washer-Seal |
| 3 | 127-3769 | 1 | Gasket-Manifold, Intake | 18 | 127-3181 | 2 | Stud |
| 4 | 127-4722 | 1 | Intake Manifold ASM | 19 | 127-4775 | 1 | Nut |
| 5 | 127-4721 | 1 | Manifold-Intake | 20 | 125-7220 | 1 | Bolt |
| 6 | 127-3180 | 2 | Stud | 21 | 127-3178 | 1 | Bolt |
| 7 | 137-5167 | 1 | Sensor-Temperature, Air | 22 | 127-3182 | 3 | Stud |
| 8 | 125-7220 | 3 | Bolt | 23 | 125-7229 | 3 | Nut |
| 9 | 127-3034 | 1 | Gasket-Collector | 24 | 127-3035 | 1 | Bend-Inlet |
| 10 | 127-4725 | 1 | Intake Collector ASM | 25 | 127-3036 | 1 | Body-Throttle |
| 11 | 127-4701 | 1 | Stud | 26 | 127-3037 | 2 | Gasket-Throttle |
| 12 | 127-3030 | 1 | Sensor-Temp, Air | 27 | 125-7209 | 2 | Bolt |
| 13 | 127-3033 | 1 | O-Ring | 28 | 125-7211 | 4 | Bolt |
| 14 | 127-4724 | 1 | Collector-Intake | 29 | 127-3177 | 2 | Bolt |
| 15 | 127-3080 | 1 | Joint-Hose | | | | |

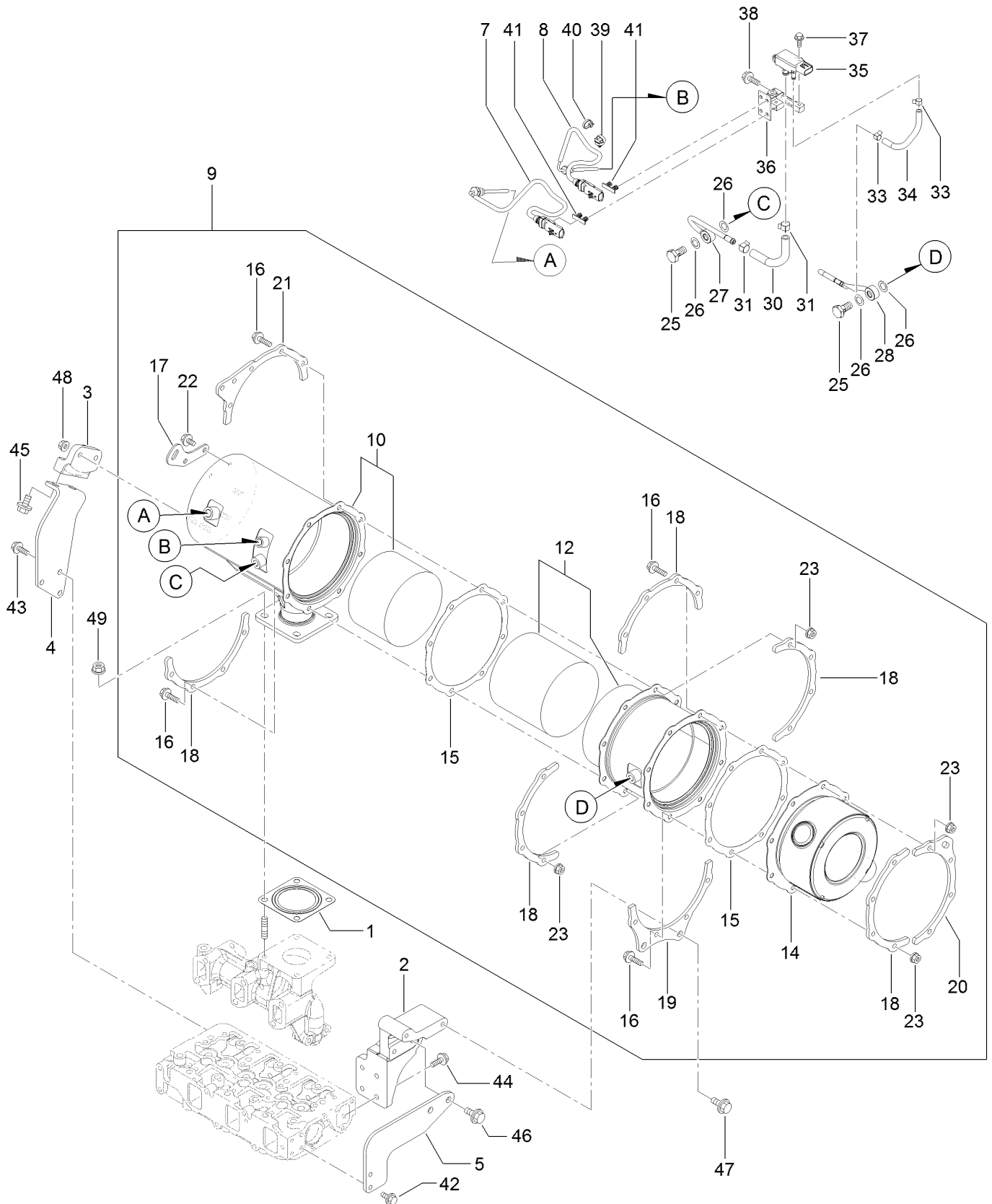
Exhaust Manifold Assembly



Exhaust Manifold Assembly (continued)

| <i>Ref.</i> | <i>Part Number</i> | <i>Qty.</i> | <i>Description</i> | <i>Ref.</i> | <i>Part Number</i> | <i>Qty.</i> | <i>Description</i> |
|-------------|--------------------|-------------|--------------------------|-------------|--------------------|-------------|----------------------------|
| 1 | 127-4726 | 1 | Manifold-Exhaust | 17 | 133-6715 | 2 | Bolt |
| 2 | 127-3775 | 1 | Gasket-Manifold, Exhaust | 18 | 127-3022 | 1 | Bolt-Flange |
| 3 | 127-2984 | 4 | Stud | 19 | 127-3048 | 1 | E G R Pipe ASM |
| 4 | 135-4013 | 1 | Bolt | 20 | 127-3049 | 1 | Pipe-Out, E G R |
| 5 | 135-4014 | 3 | Bolt | 21 | 125-7043 | 2 | Stud |
| 6 | 127-4756 | 2 | Stud | 22 | 125-7220 | 2 | Bolt |
| 7 | 127-4729 | 1 | Sensor-Temp, Exhaust | 23 | 137-5168 | 1 | Sensor-Gas Temp, E G R |
| 8 | 127-3087 | 1 | Band-Clip | 24 | 127-3780 | 1 | E G R Pipe ASM |
| 9 | 125-7230 | 2 | Nut | 25 | 127-3016 | 1 | Gasket |
| 10 | 127-3038 | 1 | Exhaust Pipe ASM | 26 | 125-7215 | 2 | Bolt |
| 11 | 127-3173 | 2 | Clamp | 27 | 125-7229 | 2 | Nut |
| 12 | 127-3039 | 1 | Bolt-Joint, Pipe | 28 | 127-3781 | 1 | Valve-E G R |
| 13 | 127-3174 | 2 | Gasket | 29 | 127-3050 | 1 | Gasket-Intake Valve, E G R |
| 14 | 125-7206 | 2 | Bolt | 30 | 127-3051 | 1 | Gasket-Out Valve, E G R |
| 15 | 127-3042 | 1 | Cooler-E G R | 31 | 125-7229 | 2 | Nut |
| 16 | 127-3043 | 2 | Gasket-Cooler, E G R | | | | |

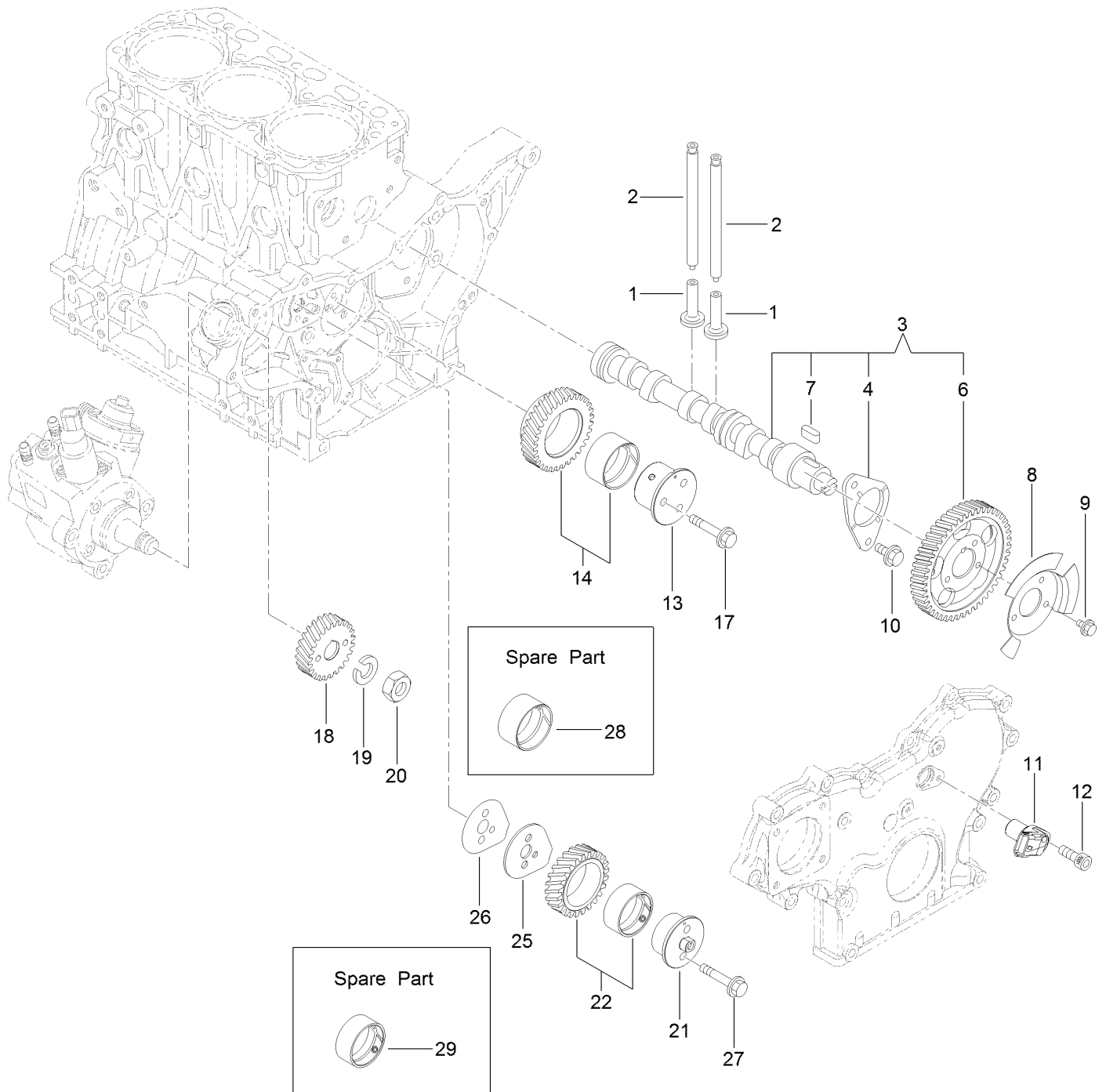
Diesel Particulate Filter Assembly



Diesel Particulate Filter Assembly (continued)

| <i>Ref.</i> | <i>Part Number</i> | <i>Qty.</i> | <i>Description</i> | <i>Ref.</i> | <i>Part Number</i> | <i>Qty.</i> | <i>Description</i> |
|-------------|--------------------|-------------|----------------------|-------------|--------------------|-------------|------------------------|
| 1 | 127-2987 | 1 | Gasket-Silencer | 27 | 127-4744 | 1 | Sensor Pipe ASM |
| 2 | 127-4738 | 1 | Stay-D P F | 28 | 127-4745 | 1 | Sensor Pipe ASM |
| 3 | 127-4739 | 1 | Stay-D P F | 30 | 140-7175 | 1 | Hose-Pressure |
| 4 | 127-4740 | 1 | Stay-D P F | 31 | 127-3057 | 2 | Clip-Hose |
| 5 | 127-4741 | 1 | Stay-D P F | 33 | 127-3058 | 2 | Clip-Hose |
| 7 | 127-4764 | 1 | Sensor-Temp, Exhaust | 34 | 138-8257 | 1 | Exhaust Press Hose ASM |
| 8 | 127-3112 | 1 | Sensor-Temp, Exhaust | 35 | 127-3060 | 1 | Sensor-Pressure |
| 9 | 127-4759 | 1 | D P F ASM | 36 | 127-4750 | 1 | Bracket-Sensor |
| 10 | 127-4732 | 1 | Case-D O C | 37 | 125-7208 | 2 | Bolt |
| 12 | 127-4734 | 1 | Case-Filter, Soot | 38 | 125-7595 | 2 | Bolt |
| 14 | 127-3786 | 1 | Silencer-D P F | 39 | 127-3087 | 1 | Band-Clip |
| 15 | 127-3787 | 2 | Gasket-D P F | 40 | 127-3124 | 1 | Band |
| 16 | 127-3055 | 16 | Bolt | 41 | 127-3088 | 2 | Clip-Connector |
| 17 | 127-3788 | 1 | Lifter-D P F | 42 | 125-7214 | 2 | Bolt |
| 18 | 127-3789 | 5 | Stiffener-D P F, A | 43 | 125-7214 | 3 | Bolt |
| 19 | 127-4735 | 1 | Stiffener-D P F, B | 44 | 125-7595 | 4 | Bolt |
| 20 | 127-3792 | 1 | Stiffener-D P F, C | 45 | 127-3179 | 2 | Bolt |
| 21 | 127-4736 | 1 | Stiffener-D P F, C | 46 | 127-3179 | 2 | Bolt |
| 22 | 125-7213 | 2 | Bolt | 47 | 127-3179 | 2 | Bolt |
| 23 | 125-7229 | 16 | Nut | 48 | 125-7229 | 2 | Nut |
| 25 | 127-3039 | 2 | Bolt-Joint, Pipe | 49 | 125-7230 | 4 | Nut |
| 26 | 127-3056 | 4 | Gasket-Sensor | | | | |

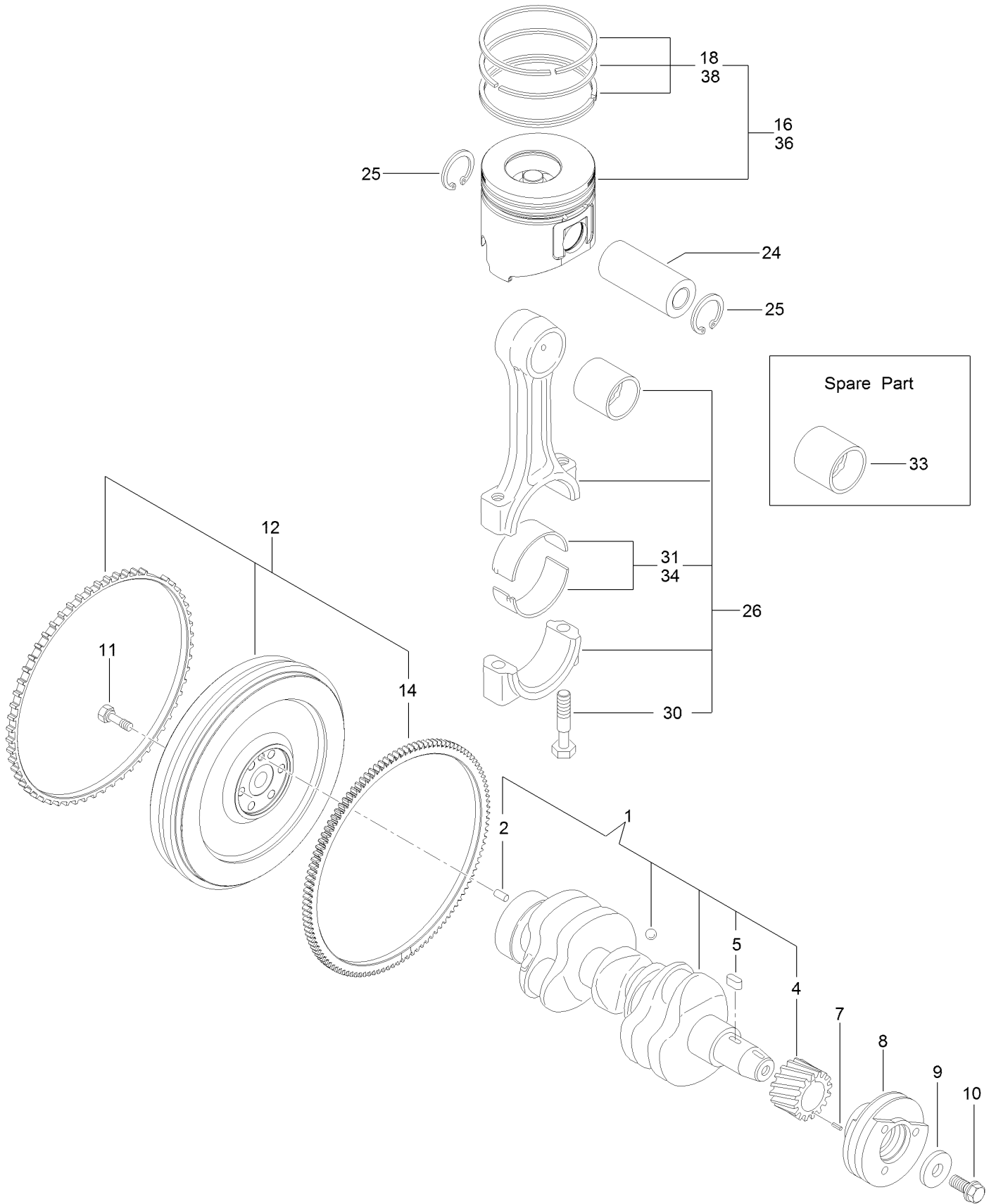
Camshaft and Driving Gear Assembly



Camshaft and Driving Gear Assembly (continued)

| <i>Ref.</i> | <i>Part Number</i> | <i>Qty.</i> | <i>Description</i> | <i>Ref.</i> | <i>Part Number</i> | <i>Qty.</i> | <i>Description</i> |
|-------------|--------------------|-------------|--------------------|-------------|--------------------|-------------|----------------------|
| 1 | 125-7016 | 6 | Tappet | 14 | 127-3066 | 1 | Idle Gear A ASM |
| 2 | 125-7017 | 6 | Rod-Push | 17 | 125-7219 | 3 | Bolt |
| 3 | 127-3797 | 1 | Camshaft ASM | 18 | 127-3070 | 1 | Gear-Pump, Supply |
| 4 | 125-7008 | 1 | Metal-Thrust | 19 | 127-3167 | 1 | Washer-Spring |
| 6 | 127-3052 | 1 | Gear-Camshaft | 20 | 127-3185 | 1 | Nut-Lock |
| 7 | 125-7185 | 1 | Key | 21 | 127-3064 | 1 | Shaft-Idle, Gear B |
| 8 | 127-3053 | 1 | Pulser-Camshaft | 22 | 127-3067 | 1 | Idle Gear B ASM |
| 9 | 125-7205 | 3 | Bolt | 25 | 127-3068 | 1 | Plate-Idle, Shaft |
| 10 | 125-7213 | 2 | Bolt | 26 | 127-3069 | 1 | Gasket-Idle, Shaft B |
| 11 | 127-3054 | 1 | Sensor-Rev, Gear | 27 | 125-7218 | 2 | Bolt |
| 12 | 127-3184 | 1 | Bolt | 28 | 125-6926 | 1 | Bush |
| 13 | 127-3063 | 1 | Shaft-Idle, Gear A | 29 | 127-3065 | 1 | Bushing |

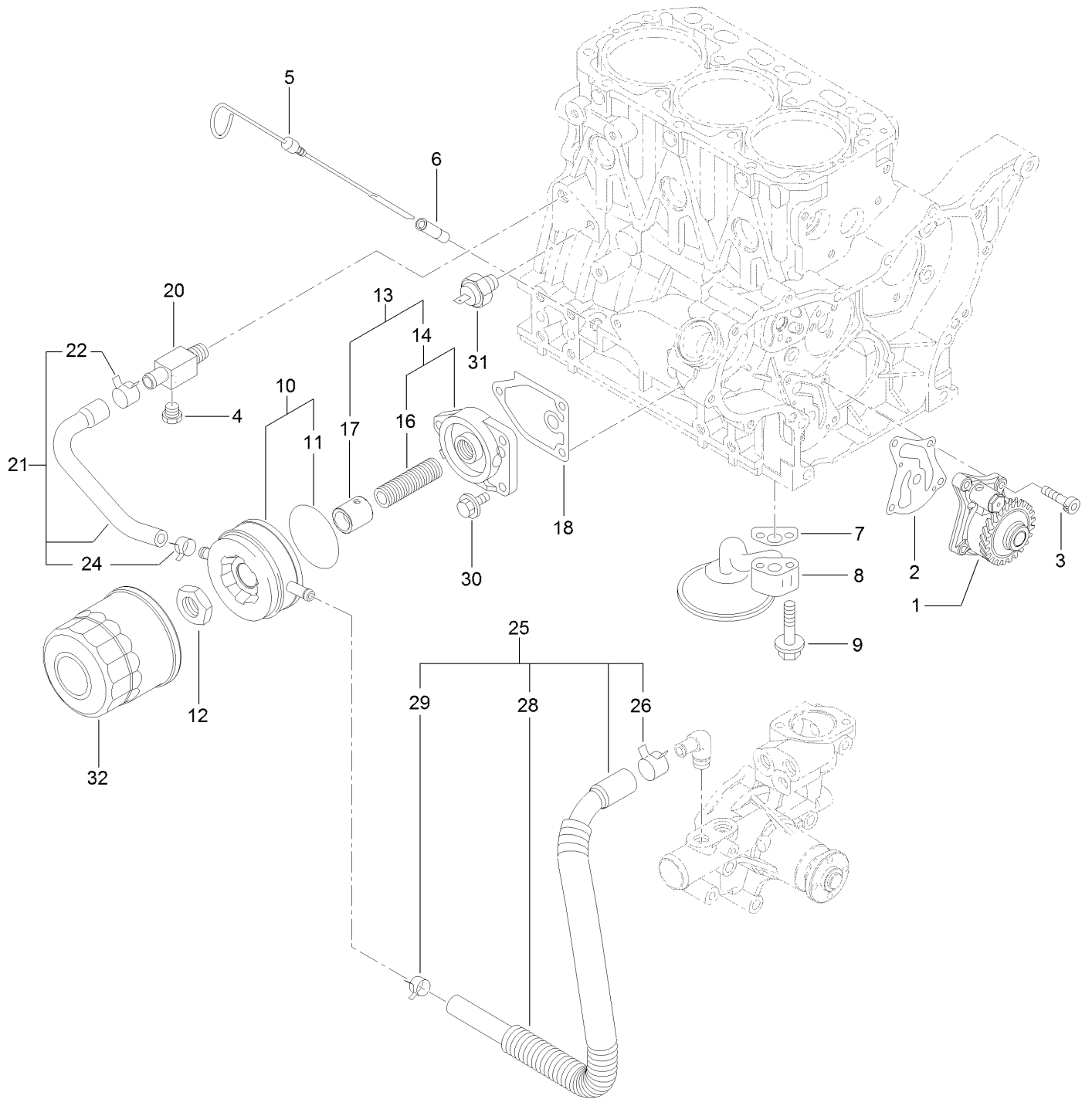
Crankshaft and Piston Assembly



Crankshaft and Piston Assembly (continued)

| <i>Ref.</i> | <i>Part Number</i> | <i>Qty.</i> | <i>Description</i> | <i>Ref.</i> | <i>Part Number</i> | <i>Qty.</i> | <i>Description</i> |
|-------------|--------------------|-------------|--------------------|-------------|--------------------|-------------|-----------------------|
| 1 | 127-3800 | 1 | Crankshaft ASM | 16 | 127-4766 | 3 | Piston ASM |
| 2 | 125-6995 | 1 | Pin | 18 | 127-4751 | 3 | Piston Ring ASM |
| 4 | 125-6937 | 1 | Gear | 24 | 125-7030 | 3 | Pin |
| 5 | 125-7185 | 1 | Key | 25 | 125-7180 | 6 | Ring |
| 7 | 125-7182 | 1 | Pin-Spring | 26 | 125-7242 | 3 | Connecting Rod ASM |
| 8 | 127-3801 | 1 | Pulley-V | 30 | 125-6955 | 6 | Bolt |
| 9 | 125-7109 | 1 | Washer | 31 | 125-7018 | 3 | Pin-Crank |
| 10 | 125-6956 | 1 | Bolt | 33 | 125-6997 | 3 | Pin-Piston |
| 11 | 125-6951 | 6 | Bolt | 34 | 125-7019 | 3 | Pin-Crank (.25) |
| 12 | 127-3802 | 1 | Flywheel ASM | 36 | 127-4767 | 3 | Piston ASM (0.25 O S) |
| 14 | 125-6943 | 1 | Gear | 38 | 127-4752 | 3 | Ring Set (0.25 O S) |

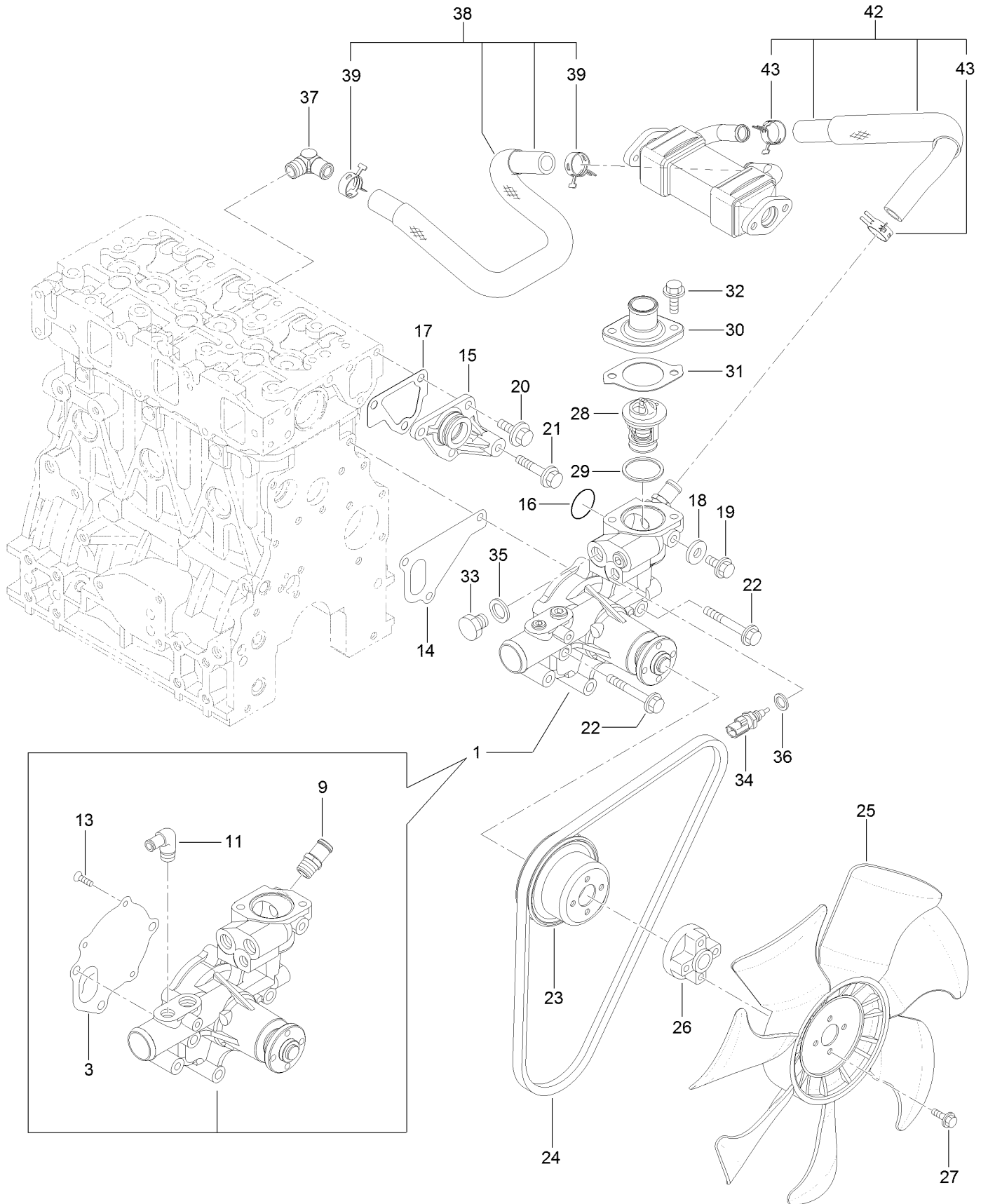
Lubrication and Oil System Assembly



Lubrication and Oil System Assembly (continued)

| <i>Ref.</i> | <i>Part Number</i> | <i>Qty.</i> | <i>Description</i> | <i>Ref.</i> | <i>Part Number</i> | <i>Qty.</i> | <i>Description</i> |
|-------------|--------------------|-------------|-----------------------|-------------|--------------------|-------------|--------------------|
| 1 | 127-4753 | 1 | Oil Pump ASM | 16 | 125-7042 | 1 | Stud |
| 2 | 127-3004 | 1 | Gasket | 17 | 135-4022 | 1 | Collar-Cooler, Oil |
| 3 | 125-7232 | 4 | Bolt | 18 | 125-7024 | 1 | Gasket |
| 4 | 125-7171 | 1 | Plug-Drain | 20 | 125-6990 | 1 | Joint |
| 5 | 140-7168 | 1 | Dipstick-Oil | 21 | 125-7078 | 1 | Pipe ASM |
| 6 | 125-6954 | 1 | Guide-Dipstick | 22 | 125-7162 | 1 | Clip |
| 7 | 125-7022 | 1 | Gasket | 24 | 125-7191 | 1 | Clamp-Hose |
| 8 | 135-4017 | 1 | Oil Inlet Pipe ASM | 25 | 127-3804 | 1 | Pipe ASM |
| 9 | 125-7217 | 2 | Bolt | 26 | 125-7162 | 1 | Clip |
| 10 | 135-4018 | 1 | Oil Cooler ASM | 28 | 127-3805 | 1 | Tube |
| 11 | 135-4019 | 1 | Packing-Oil Cooler | 29 | 125-7191 | 1 | Clamp-Hose |
| 12 | 135-4020 | 1 | Nut | 30 | 125-7595 | 3 | Bolt |
| 13 | 135-4021 | 1 | Lo Filter Bracket ASM | 31 | 125-6918 | 1 | Switch-Oil |
| 14 | 140-7169 | 1 | Filter Bracket ASM | 32 | 125-7025 | 1 | Filter-Engine, Oil |

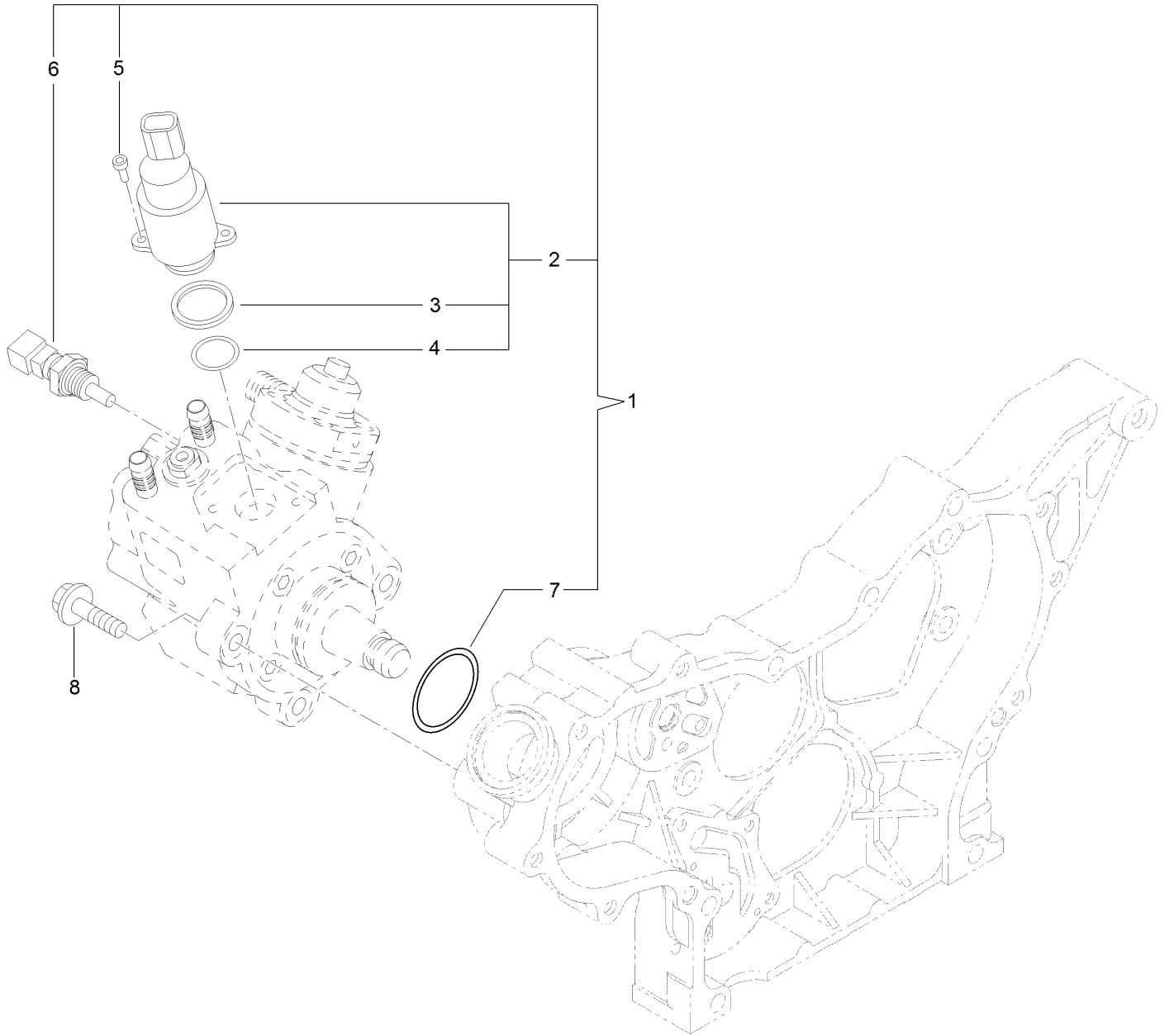
Cooling Water System Assembly



Cooling Water System Assembly (continued)

| <i>Ref.</i> | <i>Part Number</i> | <i>Qty.</i> | <i>Description</i> | <i>Ref.</i> | <i>Part Number</i> | <i>Qty.</i> | <i>Description</i> |
|-------------|--------------------|-------------|--------------------|-------------|--------------------|-------------|-----------------------|
| 1 | 140-7176 | 1 | CW Pump ASM | 26 | 127-3810 | 1 | Spacer |
| 3 | 125-6998 | 1 | Gasket | 27 | 125-7209 | 4 | Bolt |
| 9 | 127-3017 | 1 | Joint | 28 | 125-7029 | 1 | Thermostat |
| 11 | 125-7001 | 1 | Elbow | 29 | 125-7026 | 1 | Gasket |
| 13 | 140-7170 | 3 | Screw-Flat | 30 | 140-7171 | 1 | Cover-Thermostat |
| 14 | 125-7047 | 1 | Gasket | 31 | 125-7110 | 1 | Gasket |
| 15 | 125-6986 | 1 | Joint | 32 | 125-7594 | 2 | Bolt |
| 16 | 125-7048 | 1 | O-Ring | 33 | 125-6953 | 1 | Plug |
| 17 | 125-6978 | 1 | Gasket | 34 | 125-7124 | 1 | Sensor-Thermostat, CW |
| 18 | 125-7192 | 1 | Gasket | 35 | 125-6979 | 1 | Gasket |
| 19 | 125-7212 | 1 | Bolt | 36 | 125-7176 | 1 | Washer-Seal |
| 20 | 125-7214 | 3 | Bolt | 37 | 127-4705 | 1 | Elbow |
| 21 | 125-7219 | 1 | Bolt | 38 | 127-4757 | 1 | E G R-C Pipe ASM |
| 22 | 125-7222 | 3 | Bolt | 39 | 127-3020 | 2 | Clip-Hose |
| 23 | 127-4712 | 1 | V-Pulley | 42 | 127-3811 | 1 | CW Pipe ASM |
| 24 | 127-4771 | 1 | V-Belt | 43 | 127-3020 | 2 | Clip-Hose |
| 25 | 127-4702 | 1 | Fan | | | | |

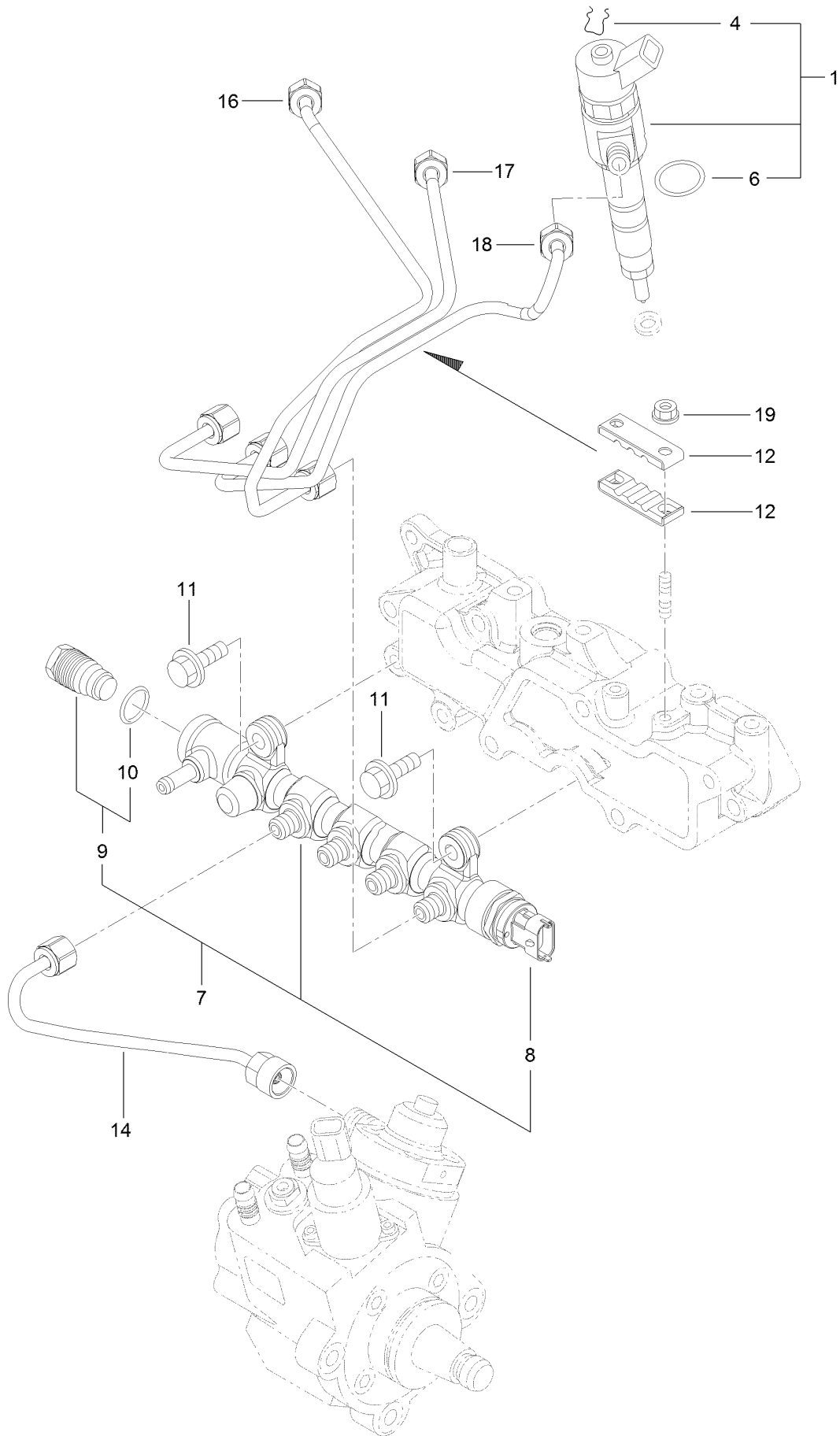
Fuel Supply Pump Assembly



Fuel Supply Pump Assembly (continued)

| <i>Ref.</i> | <i>Part Number</i> | <i>Qty.</i> | <i>Description</i> | <i>Ref.</i> | <i>Part Number</i> | <i>Qty.</i> | <i>Description</i> |
|-------------|--------------------|-------------|--------------------|-------------|--------------------|-------------|--------------------|
| 1 | 140-7178 | 1 | Fuel Pump ASM | 5 | 131-2107 | 2 | Bolt |
| 2 | 131-2103 | 1 | Valve ASM | 6 | 131-2108 | 1 | Sensor-Temperature |
| 3 | 131-2105 | 1 | Ring-Sealing | 7 | 127-3074 | 1 | O-Ring |
| 4 | 131-2106 | 1 | O-Ring | 8 | 125-7216 | 3 | Bolt |

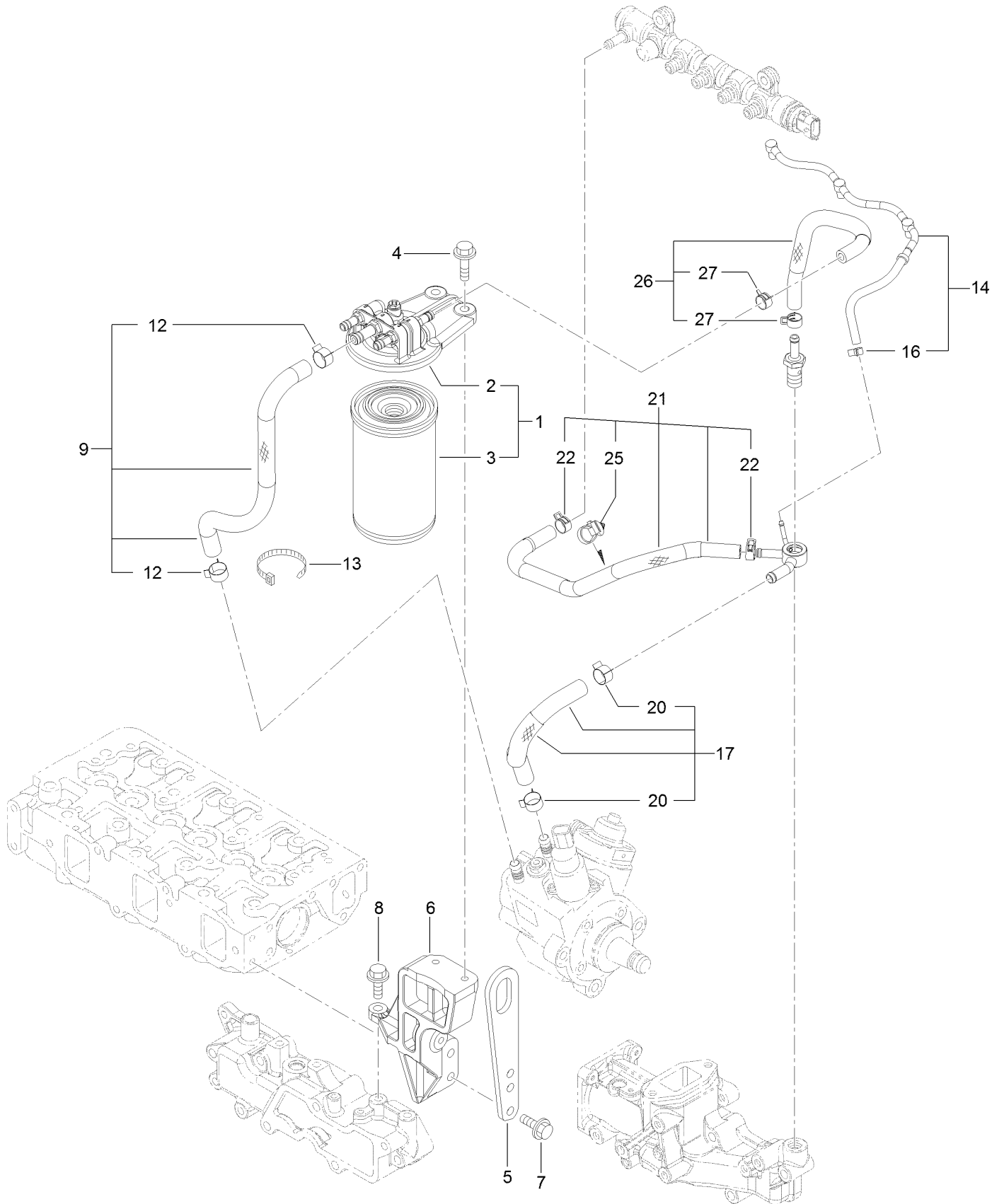
Fuel Injection Valve Assembly



Fuel Injection Valve Assembly (continued)

| <i>Ref.</i> | <i>Part Number</i> | <i>Qty.</i> | <i>Description</i> | <i>Ref.</i> | <i>Part Number</i> | <i>Qty.</i> | <i>Description</i> |
|-------------|--------------------|-------------|-----------------------|-------------|--------------------|-------------|--------------------|
| 1 | 127-4754 | 3 | Injector ASM | 11 | 125-7215 | 2 | Bolt |
| 4 | 130-7430 | 3 | Ring-Retaining | 12 | 127-3813 | 2 | Retainer |
| 6 | 137-5173 | 3 | O-Ring | 14 | 127-3082 | 1 | Rail In Pipe ASM |
| 7 | 127-3812 | 1 | Rail ASM | 16 | 127-3814 | 1 | Injection Pipe ASM |
| 8 | 131-2709 | 1 | Sensor-Pressure, Rail | 17 | 127-3083 | 1 | Injection Pipe ASM |
| 9 | 131-2710 | 1 | Valve ASM | 18 | 127-3084 | 1 | Injection Pipe ASM |
| 10 | 130-7433 | 1 | O-Ring | 19 | 125-7231 | 2 | Nut |

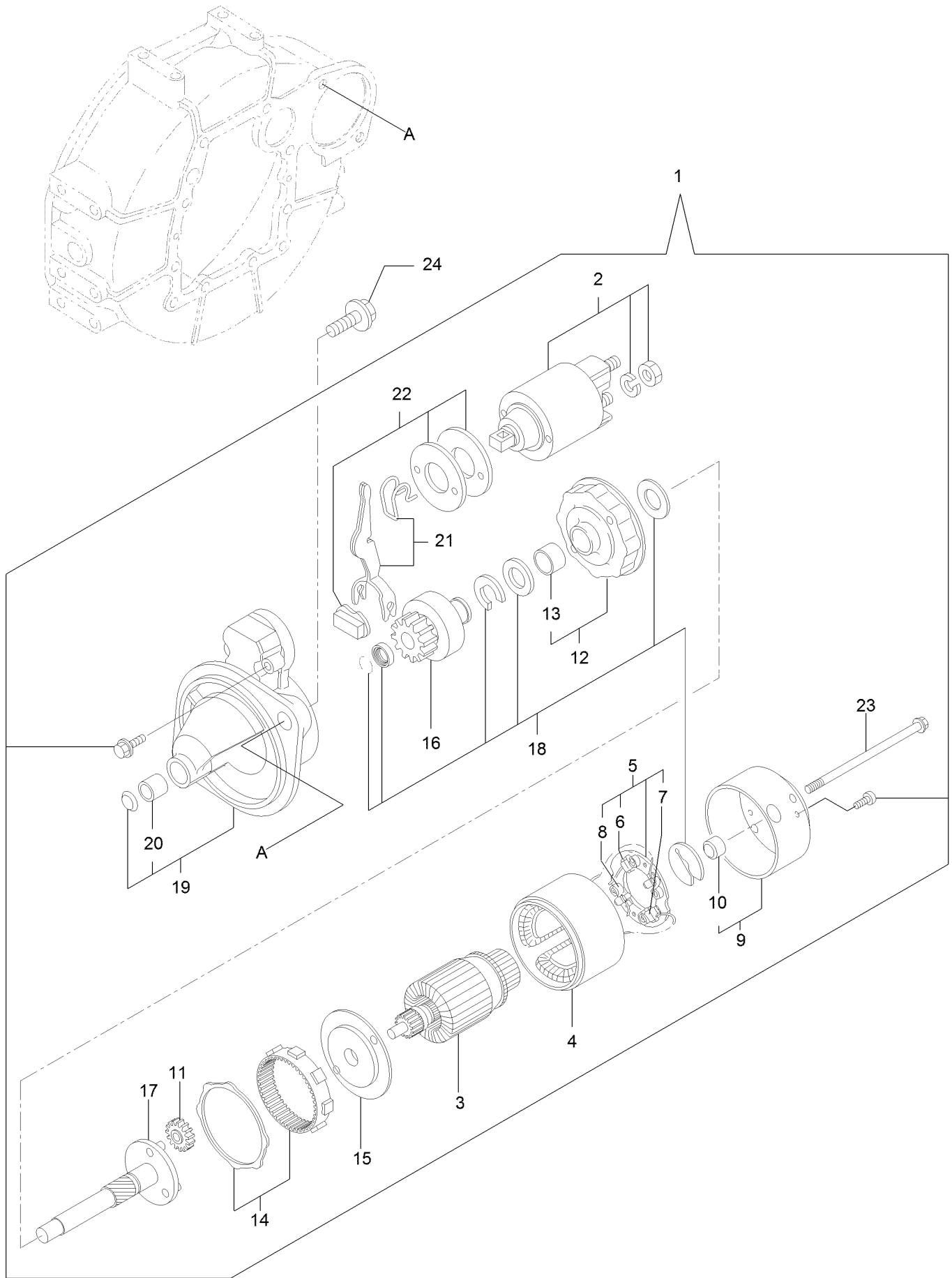
Fuel Filter Assembly



Fuel Filter Assembly (continued)

| <i>Ref.</i> | <i>Part Number</i> | <i>Qty.</i> | <i>Description</i> | <i>Ref.</i> | <i>Part Number</i> | <i>Qty.</i> | <i>Description</i> |
|-------------|--------------------|-------------|-----------------------------|-------------|--------------------|-------------|--------------------------|
| 1 | 139-4535 | 1 | Filter ASM | 13 | 127-2981 | 1 | Band |
| 2 | 127-3076 | 1 | Fuel/Oil Filter Bracket ASM | 14 | 135-4023 | 1 | Fuel/Oil Return Pipe ASM |
| 3 | 139-6017 | 1 | Filter-Fuel | 16 | 127-3172 | 1 | Clamp-Hose |
| 4 | 125-7216 | 2 | Bolt | 17 | 127-3078 | 1 | Fuel Pipe ASM |
| 5 | 125-7111 | 1 | Lifter | 20 | 125-7191 | 2 | Clamp-Hose |
| 6 | 127-3815 | 1 | Filter Bracket ASM | 21 | 127-3817 | 1 | Fuel Pipe ASM |
| 7 | 125-7215 | 2 | Bolt | 22 | 127-2950 | 2 | Clip-Hose |
| 8 | 125-7215 | 1 | Bolt | 25 | 127-3087 | 1 | Band-Clip |
| 9 | 127-3077 | 1 | Fuel Pipe ASM | 26 | 127-3079 | 1 | Fuel Pipe ASM |
| 12 | 125-7191 | 2 | Clamp-Hose | 27 | 127-2950 | 2 | Clip-Hose |

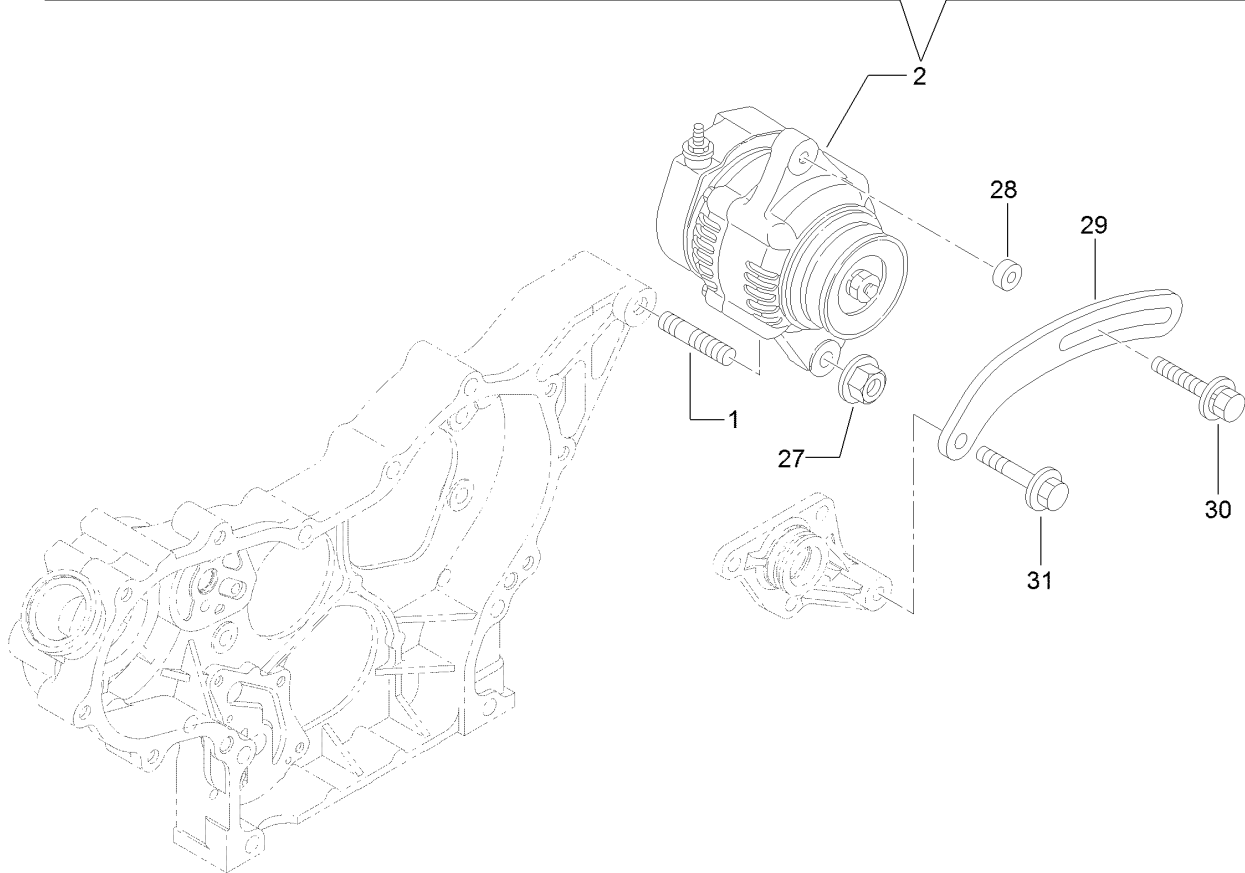
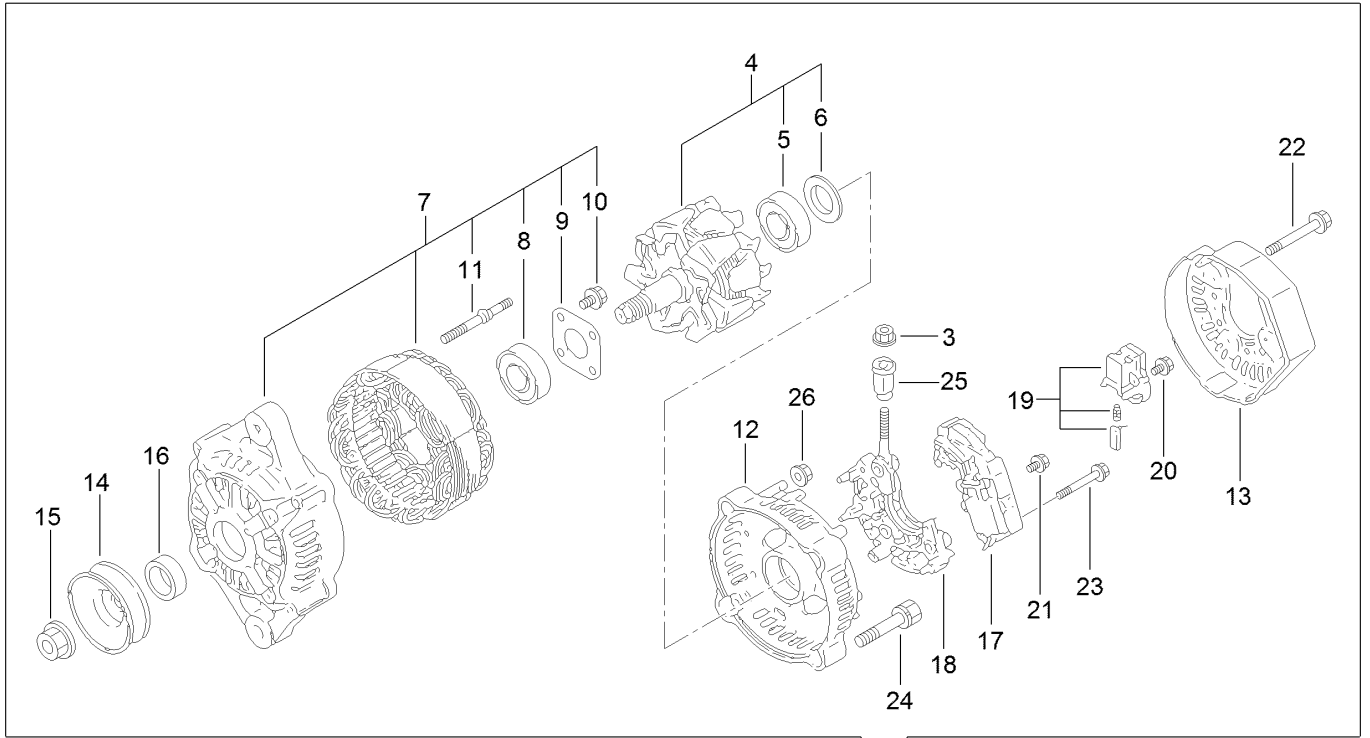
Starting Motor Assembly



Starting Motor Assembly (continued)

| <i>Ref.</i> | <i>Part Number</i> | <i>Qty.</i> | <i>Description</i> | <i>Ref.</i> | <i>Part Number</i> | <i>Qty.</i> | <i>Description</i> |
|-------------|--------------------|-------------|--------------------|-------------|--------------------|-------------|--------------------|
| 1 | 127-3818 | 1 | Starter ASM | 13 | 127-3830 | 1 | Bracket |
| 2 | 127-3819 | 1 | Switch ASM | 14 | 127-3831 | 1 | Gear |
| 3 | 127-3820 | 1 | Armature ASM | 15 | 127-3832 | 1 | Bracket |
| 4 | 127-3821 | 1 | Yoke ASM | 16 | 127-3833 | 1 | Pinion ASM |
| 5 | 127-3822 | 1 | Brush Holder ASM | 17 | 127-3834 | 1 | Shaft |
| 6 | 127-3823 | 2 | Brush | 18 | 127-3835 | 1 | Washer Set |
| 7 | 127-3824 | 1 | Brush Set | 19 | 127-3836 | 1 | Case ASM |
| 8 | 127-3825 | 4 | Spring | 20 | 127-3837 | 1 | Metal-Starter |
| 9 | 127-3826 | 1 | Cover ASM | 21 | 127-3838 | 1 | Lever Set |
| 10 | 127-3827 | 1 | Metal | 22 | 127-3839 | 1 | Dust Cover ASM |
| 11 | 127-3828 | 3 | Gear | 23 | 135-4024 | 2 | Bolt-Through |
| 12 | 127-3829 | 1 | Bracket | 24 | 125-7225 | 2 | Bolt |

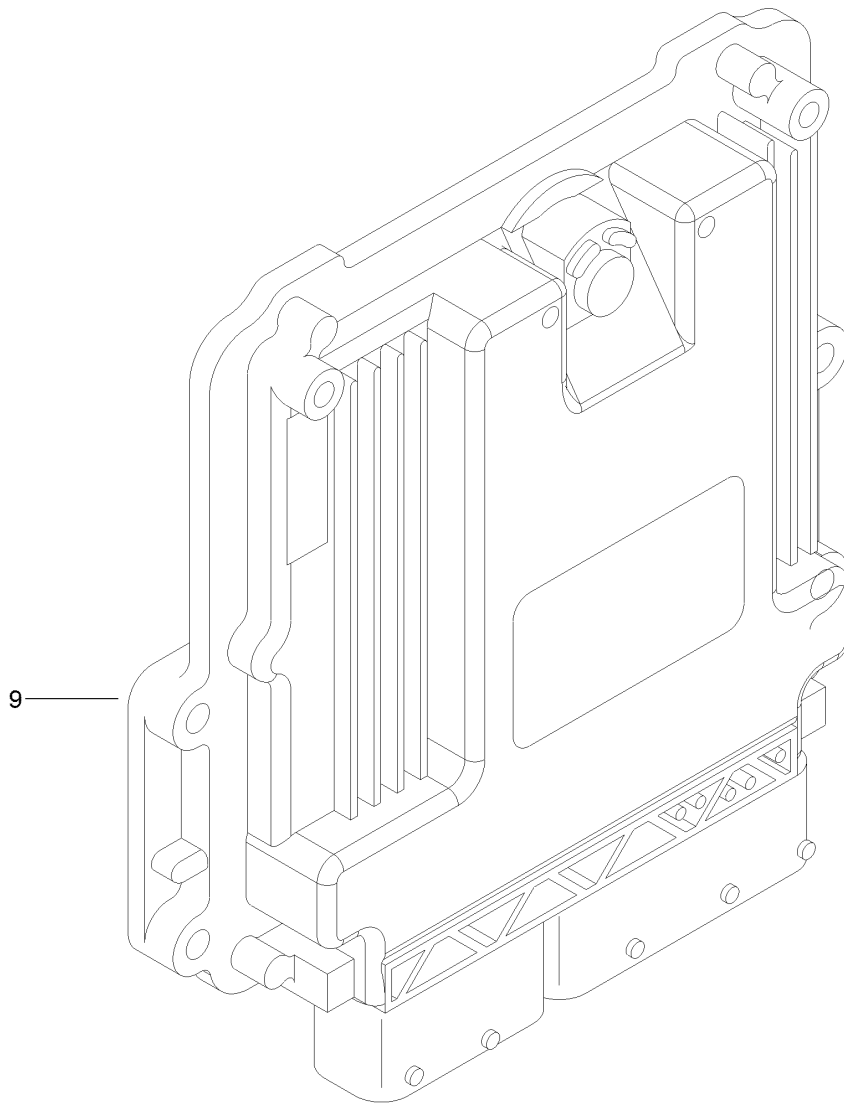
Generator Assembly



Generator Assembly (continued)

| <i>Ref.</i> | <i>Part Number</i> | <i>Qty.</i> | <i>Description</i> | <i>Ref.</i> | <i>Part Number</i> | <i>Qty.</i> | <i>Description</i> |
|-------------|--------------------|-------------|--------------------|-------------|--------------------|-------------|--------------------|
| 1 | 127-3011 | 1 | Stud | 17 | 135-4026 | 1 | Regulator ASM |
| 2 | 139-6018 | 1 | Generator | 18 | 127-3848 | 1 | Holder |
| 3 | 127-3190 | 1 | Nut | 19 | 127-2993 | 1 | Holder |
| 4 | 127-3843 | 1 | Rotor ASM | 20 | 127-2965 | 6 | Screw |
| 5 | 127-2983 | 1 | Bearing-Ball | 21 | 127-2966 | 1 | Screw |
| 6 | 127-2962 | 1 | Cover | 22 | 127-2967 | 3 | Bolt |
| 7 | 135-4025 | 1 | Frame ASM | 23 | 127-2968 | 2 | Screw |
| 8 | 127-2958 | 1 | Bearing-Ball | 24 | 127-2969 | 2 | Bolt |
| 9 | 127-2959 | 1 | Plate-Retainer | 25 | 127-2970 | 1 | Bushing-Insulation |
| 10 | 127-2960 | 4 | Screw | 26 | 127-2971 | 2 | Nut |
| 11 | 127-2961 | 2 | Stud | 27 | 125-7230 | 1 | Nut |
| 12 | 127-3845 | 1 | Frame | 28 | 125-6947 | 1 | Spacer |
| 13 | 127-3846 | 1 | Cover | 29 | 127-2977 | 1 | Adjuster |
| 14 | 127-2954 | 1 | Pulley | 30 | 135-4027 | 1 | Bolt-Adjust |
| 15 | 127-2955 | 1 | Nut | 31 | 125-7219 | 1 | Bolt |
| 16 | 127-2957 | 1 | Collar | | | | |

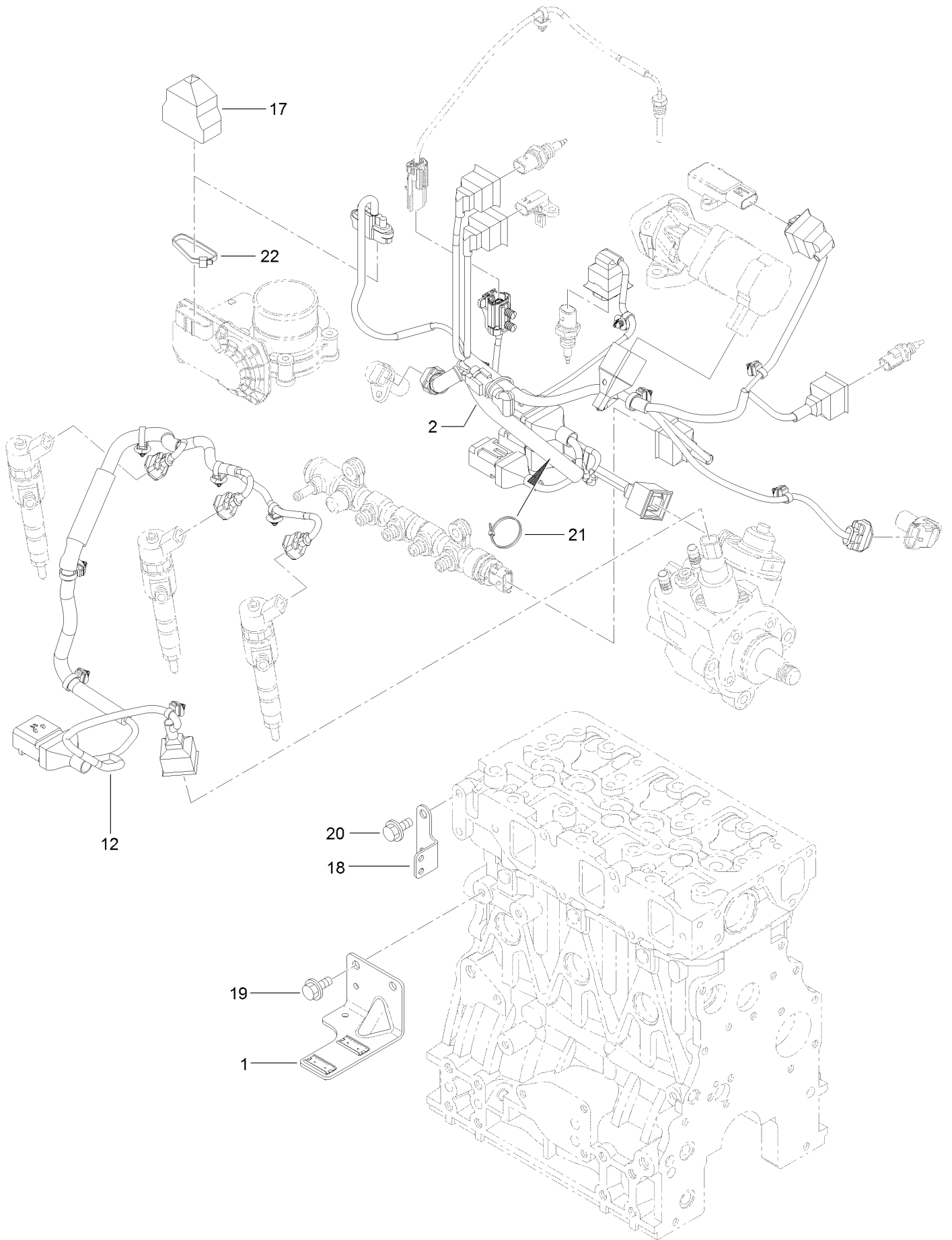
Electronic Control Unit Assembly



Electronic Control Unit Assembly (continued)

| <i>Ref.</i> | <i>Part Number</i> | <i>Qty.</i> | <i>Description</i> |
|-------------|--------------------|-------------|-------------------------|
| 9 | 121-5592 | 1 | Electronic Control Unit |

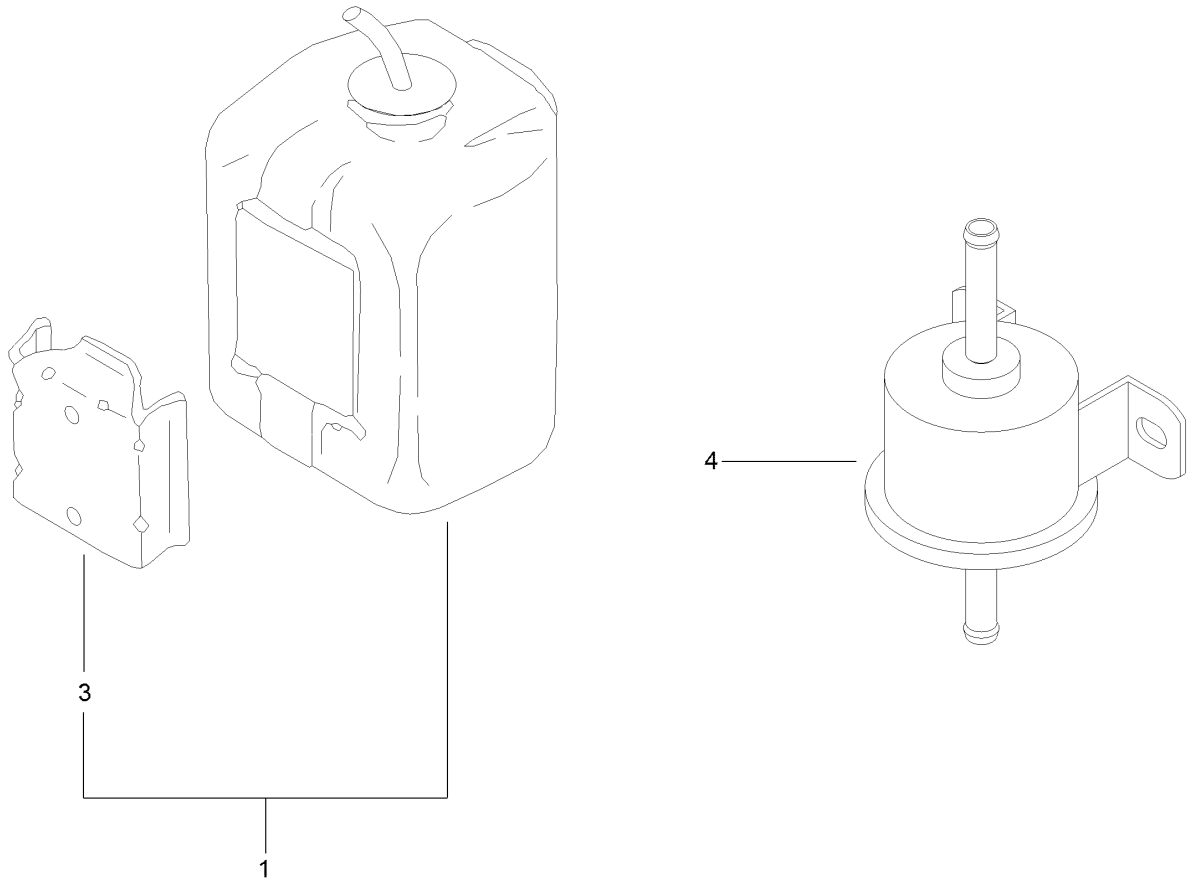
Electric Parts Assembly



Electric Parts Assembly (continued)

| <i>Ref.</i> | <i>Part Number</i> | <i>Qty.</i> | <i>Description</i> | <i>Ref.</i> | <i>Part Number</i> | <i>Qty.</i> | <i>Description</i> |
|-------------|--------------------|-------------|--------------------|-------------|--------------------|-------------|--------------------|
| 1 | 130-7436 | 1 | Bracket-Connector | 19 | 125-7213 | 2 | Bolt |
| 2 | 135-4029 | 1 | Harness | 20 | 125-7212 | 2 | Bolt |
| 12 | 130-7438 | 1 | Harness | 21 | 127-3187 | 1 | Band |
| 17 | 131-2713 | 1 | Boot-Cap | 22 | 127-3188 | 1 | Band |
| 18 | 127-3090 | 1 | Bracket-Harness | | | | |

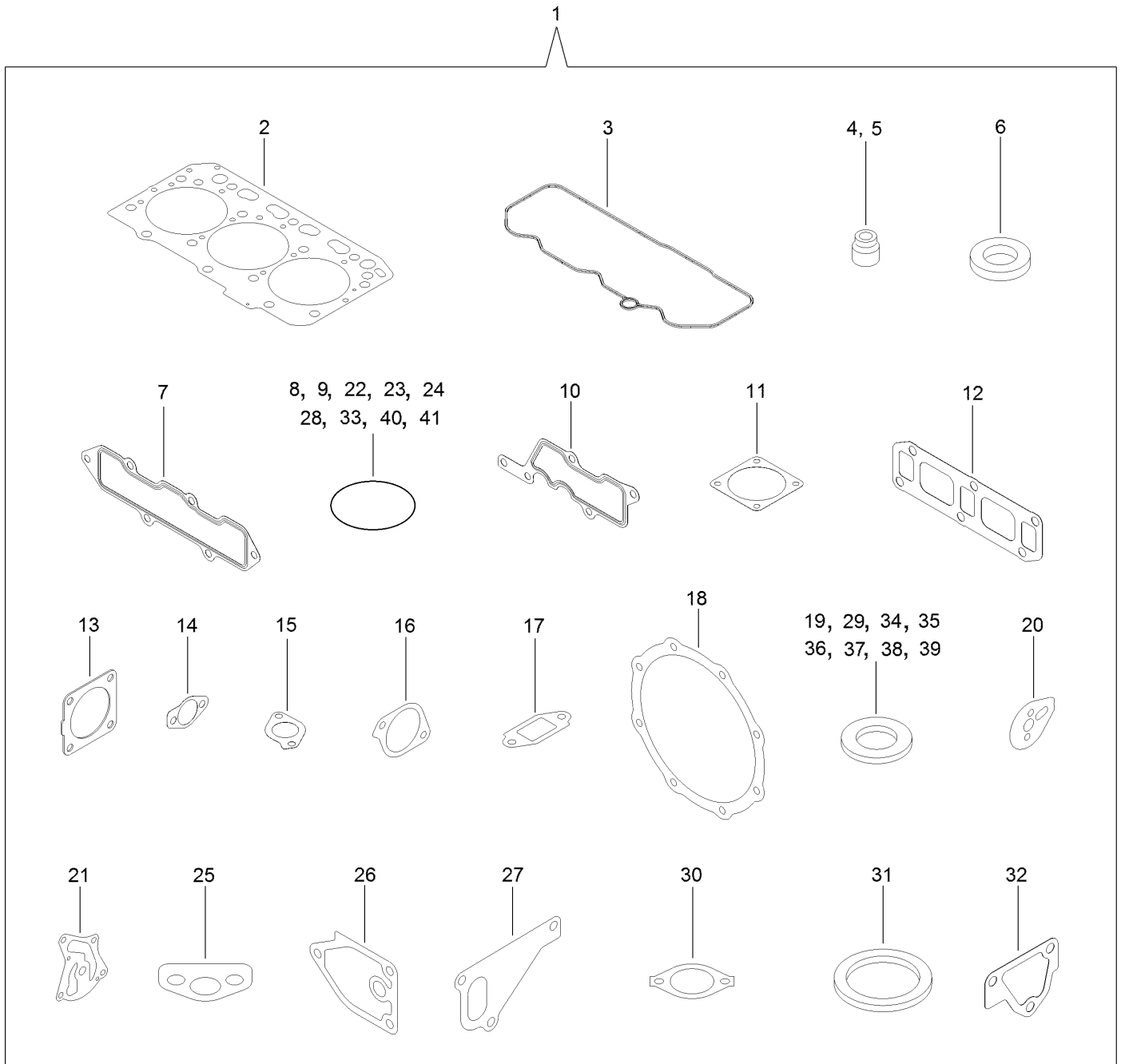
Accessory Assembly



Accessory Assembly (continued)

| <i>Ref.</i> | <i>Part Number</i> | <i>Qty.</i> | <i>Description</i> |
|-------------|--------------------|-------------|---------------------|
| 1 | 140-7185 | 1 | Tank ASM |
| 3 | 140-7165 | 1 | Bracket-Tank |
| 4 | 121-5613 | 1 | Pump-Fuel, Electric |

Gasket Set



Gasket Set (continued)

| <i>Ref.</i> | <i>Part Number</i> | <i>Qty.</i> | <i>Description</i> | <i>Ref.</i> | <i>Part Number</i> | <i>Qty.</i> | <i>Description</i> |
|-------------|--------------------|-------------|--------------------------------|-------------|--------------------|-------------|--------------------|
| 1 | 130-7440 | 1 | Packing (Gasket Set) | 21 | 127-3004 | 1 | Gasket |
| 2 | 127-4716 | 1 | Head Gasket ASM | 22 | 125-6909 | 2 | O-Ring |
| 3 | 127-3762 | 1 | Gasket-Cover, Cylinder Head | 23 | 127-2973 | 1 | O-Ring |
| 4 | 127-2986 | 3 | Seal-Stem, Valve | 24 | 125-7075 | 1 | O-Ring |
| 5 | 127-3027 | 3 | Seal-Stem, Valve | 25 | 125-7022 | 1 | Gasket |
| 6 | 127-3021 | 3 | Gasket-Injector | 26 | 125-7024 | 1 | Gasket |
| 7 | 127-3769 | 1 | Gasket-Manifold, Intake | 27 | 125-7047 | 1 | Gasket |
| 8 | 127-3032 | 2 | O Ring-Sensor, Pressure | 28 | 125-7048 | 1 | O-Ring |
| 9 | 127-3033 | 1 | O-Ring | 29 | 125-6979 | 1 | Gasket |
| 10 | 127-3034 | 1 | Gasket-Collector | 30 | 125-7110 | 1 | Gasket |
| 11 | 127-3037 | 2 | Gasket-Throttle | 31 | 125-7026 | 1 | Gasket |
| 12 | 127-3775 | 1 | Gasket-Manifold, Exhaust | 32 | 125-6978 | 1 | Gasket |
| 13 | 127-2987 | 1 | Gasket-Silencer | 33 | 127-3074 | 1 | O-Ring |
| 14 | 127-3043 | 2 | Gasket-Cooler, E G R | 34 | 125-7174 | 1 | Washer-Seal |
| 15 | 127-3016 | 1 | Gasket | 35 | 125-7176 | 1 | Washer-Seal |
| 16 | 127-3050 | 1 | Gasket-Intake Valve, E G R | 36 | 127-3166 | 2 | Washer-Seal |
| 17 | 127-3051 | 1 | Gasket-Out Valve, E G R | 37 | 125-7177 | 1 | Washer-Seal |
| 18 | 127-3787 | 2 | Gasket-D P F | 38 | 125-7192 | 1 | Gasket |
| 19 | 127-3056 | 4 | Gasket-Sensor | 39 | 127-3174 | 2 | Gasket |
| 20 | 127-3069 | 1 | Gasket-Idle, Shaft B | 40 | 138-7829 | 3 | O-Ring |
| | | | | 41 | 125-7197 | 2 | O-Ring |

Attachments and Accessories

For 31903 Groundsmaster 3310 All-Wheel Drive Traction Unit

| Product Name | Model/Part |
|---|-------------------|
| 15-Pound Cast Weight..... | 112-7059-01 |
| Blade Crate (Snowplow), ATV Poly S | STB13567B |
| Slope Sensor Kit..... | 31952 |
| CE Kit, Groundsmaster 3200 or 3300 Series Traction Unit..... | 31953 |
| CE Kit, Groundsmaster 3200 or 3300 Series 60in Side Discharge Rotary Mower..... | 31957 |
| CE Kit, Groundsmaster 3200 or 3300 Series 72in Side Discharge Rotary Mower..... | 31958 |
| 42-Pound Weight..... | 114-4096 |
| CE Kit, Groundsmaster 3200 or 3300 Series 60in Rear Discharge Rotary Mower..... | 31959 |
| CE Kit, Groundsmaster 3200 or 3300 Series 72in Rear Discharge Rotary Mower..... | 31960 |
| Auxiliary HYD Kit | 31966 |
| 60in SD Deck..... | 31970 |
| 60in RD Deck..... | 31971 |
| 72in SD Deck..... | 31972 |
| 72in RD Deck..... | 31973 |
| 60in RD Deck, T2 | 31974 |
| 72in RD Deck, T2 | 31975 |
| Recycler Kit 60in/152cm SD | 31976 |
| Recycler Kit, 60In/152cm RD..... | 31977 |
| Recycler Kit, 72In/183cm SD | 31978 |
| Recycler Kit, 72In/183cm RD..... | 31979 |
| Seat Assembly - Standard | 31980 |
| Seat Assembly - Mechanical Suspension | 31981 |
| Seat Assembly - Air Ride Suspension..... | 31982 |
| Storage Box Kit..... | 31983 |
| USB Charging Kit..... | 31984 |
| Recycler Kit 60in/152cm Rd T2..... | 31985 |
| Recycler Kit 72in/183cm Rd T2..... | 31986 |
| Road Light Kit (North America) | 31991 |
| Road Light Kit (EU)..... | 31992 |
| LED Work Light Kit..... | 31993 |
| Accessory Control Kit | 31994 |
| LED Beacon Kit | 31996 |
| Premium Synthetic Bio-Degradable Hydraulic Fluid (55 Gallon Drum)..... | 119-2158 |
| Premium Synthetic Bio-Degradable Hydraulic Fluid (5 Gallon Pail) | 119-2157 |
| Storage Bag Kit..... | 139-2020 |
| SMV Kit..... | 139-2339 |
| Wrench-Caster Cap/Latch | 138-6367 |
| Filter-Air | 108-3810 |
| Filter-Fuel | 139-6017 |
| PX Hydraulic Fluid (5 Gal) | 133-8086 |
| PX Hydraulic Fluid (55 Gal)..... | 133-8087 |
| Fuel/Water Separator Filter..... | 125-2915 |
| Semi-Gloss Black Spray Paint..... | 361-9 |
| Filter-Oil, Transmission..... | 86-3010 |
| Engine Oil Filter | 125-7025 |
| Hydraulic Hose Kit | 31999 |

Attachments and Accessories (continued)

| | |
|--|----------|
| Power Harness Kit | 140-1559 |
| Kit-Weight | 144-0480 |
| Plate-Weight, 25 LBS | 144-0484 |
| Toro Red 12oz Aerosol Can | 361-10 |
| Paint-Black Bottle | 112-0176 |
| Paint-Red Pen | 112-0177 |
| Paint-Red Bottle | 112-0178 |
| Seat Cover (W/arm rest) | 117-0095 |
| Kit-Blade, Std (24.5) 3pk..... | 144-3911 |
| Kit-Blade, Med Flow (20.5) 3pk..... | 144-3912 |
| Kit-Blade, High Flow (20.5) 3pk | 144-3913 |
| Kit-Blade, Atomic (20.5) 3pk | 144-3914 |
| Kit-Blade, Low Flow (24.5) 3pk | 144-3915 |
| Kit-Blade, Recycling (24.5) 3pk..... | 144-3916 |
| Kit-Blade, Low Flow (20.5) 3pk | 144-3917 |
| Kit-Blade, Recycling (20.5) 3pk..... | 144-3918 |
| Kit-Blade-24.50 Low Flow 3pk | 144-3962 |
| Kit-Blade-24.50 Recycler 3pk | 144-3963 |
| Kit-Blade-20.50 Low Flow 3pk | 144-3964 |
| Kit-Blade-20.50 Recycler 3pk | 144-3965 |
| Exterior Mirror Kit..... | 130-5448 |
| Kit-Blade-24.50 Atomic 3pk | 144-3966 |
| Interior Mirror Kit..... | 130-5449 |
| Kit-Blade-20.50 Atomic 3pk | 144-3967 |
| Hose Replacement Kit, Groundsmaster 3200 or 3300 Series Traction Unit..... | 144-3960 |
| Shim Tensioner Kit, Groundsmaster 3200 or 3300 Series Traction Unit | 144-4045 |
| Tube Replacement Kit, Groundsmaster 3200 or 3300 Series Traction Unit..... | 144-4047 |
| Vibration Reduction Kit, Groundsmaster 3300 Series Traction Unit | 144-4050 |
| Boss Plow, 5ft Straight Blade | MSC23345 |



Count on it.