



Count on it.

Parts Catalog

**Workman® GTX
Lithium Utility Vehicle**

Model No. 07413TC—Serial No. 410500000 and Up



Ordering Replacement Parts

To order replacement parts, please supply the part number, the quantity, and the description of each part desired.

Understanding Reference Numbers

Each identified part in an illustration has a reference number. The reference number for a part also appears in the parts list, along with other information about the part.

This catalog uses two special reference number formats, one to indicate parts in a service assembly and another to indicate the quantity of a given part in an illustration.

Service Assembly Reference Numbers

Parts in service assemblies have reference numbers in the form a:b. The a represents the reference number of the entire service assembly and the b represents a sequential number unique to each part within the service assembly.

For example, a wheel assembly might be identified by reference number 6, the tire by 6:1, the valve by 6:2, and the wheel by 6:3. When you order the assembly identified by reference number 6, you receive all parts identified by reference numbers 6:1, 6:2, and 6:3. However, you may also order any part individually. Reference numbers of this type appear in illustration and in parts lists.

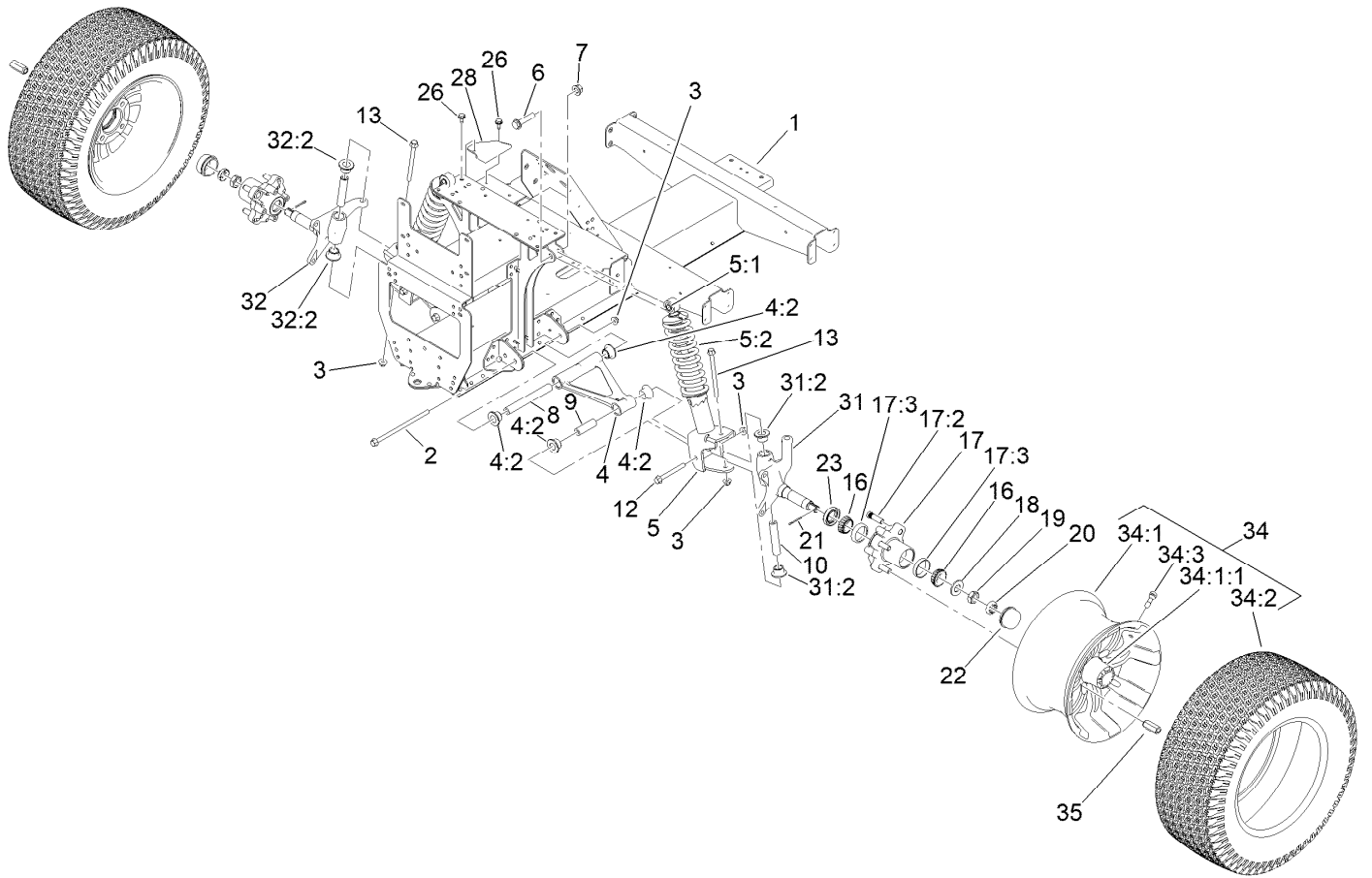
Reference Numbers Indicating Quantity

In an illustration, if a reference number indicates more than one part, the reference number has the form nX y. The n represents the quantity of the part, the X is the multiplication symbol, and the y represents the reference number.

For example, in an illustration, the reference number 2X 37 means that two of the parts identified by reference number 37 are indicated.

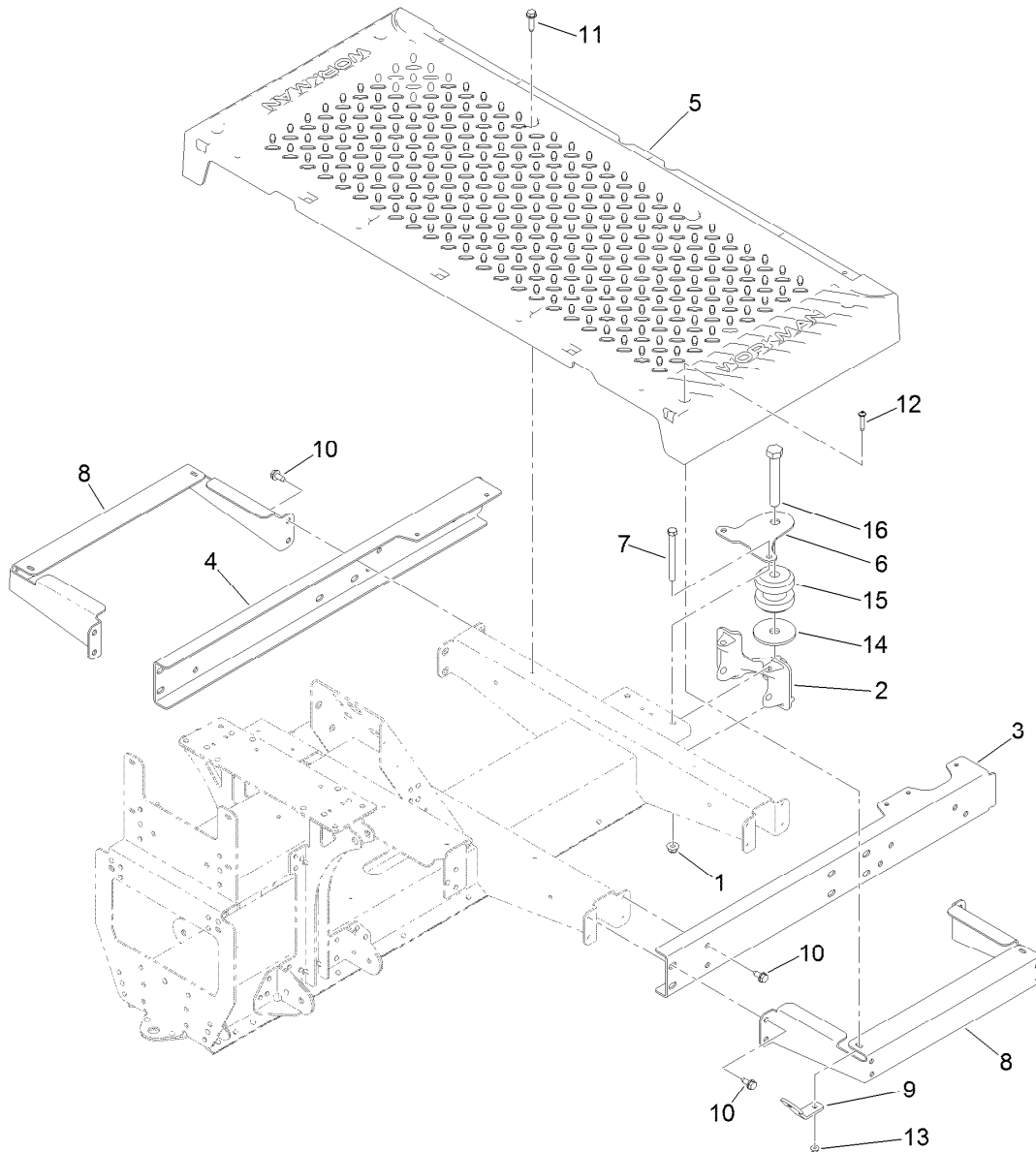
Contents

| | |
|--|----|
| Front Frame and Suspension Assembly | 4 |
| Floor Plate and Rear Suspension Mount Assembly | 5 |
| Rear Frame and Suspension Assembly | 6 |
| Frame Mount and Rear Shock/Spring Assembly | 7 |
| Brake Assembly | 8 |
| Master Cylinder Assembly No. 104-6782 | 9 |
| Brake Caliper Assembly No. 140-2575 | 10 |
| Steering Assembly | 11 |
| Pedal and Control Assembly | 12 |
| Hood and Fender Assembly | 13 |
| Dash Assembly | 14 |
| Seatbase Assembly | 15 |
| Cargo Bed Assembly | 16 |
| Controller and Charger Assembly | 17 |
| Main Wire Harness Assembly No. 122-2488 | 19 |
| Accelerator Pedal and Horn Assembly | 20 |
| Battery Cable Assembly | 21 |
| Rear Wheel and Transaxle Assembly | 22 |
| Transaxle Assembly No. 136-6340 | 23 |
| Electric Motor Assembly No. 137-6936 | 24 |
| Battery Assembly No. 04070 | 25 |
| Attachments and Accessories | 26 |



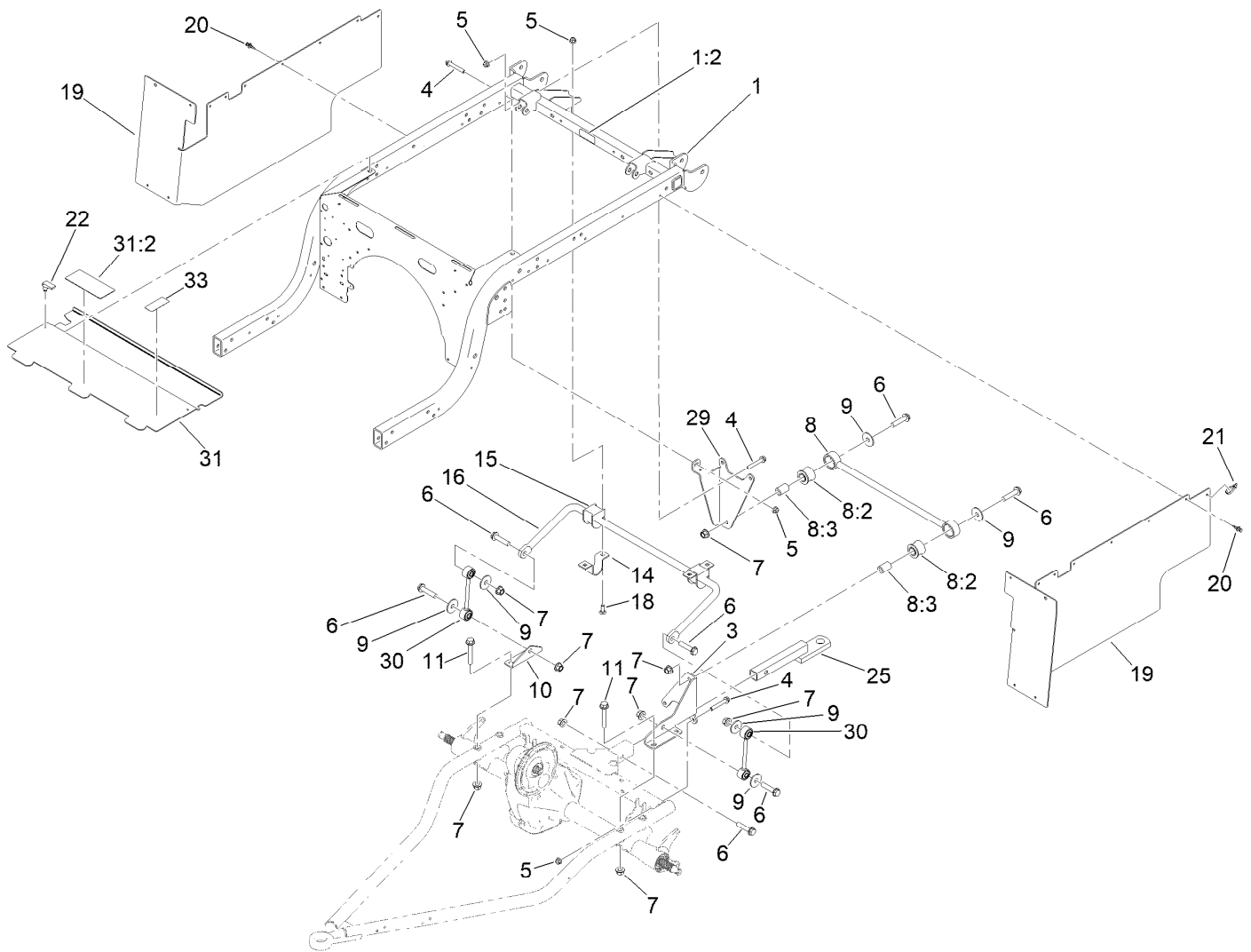
Front Frame and Suspension Assembly

| Ref. | Part Number | Qty. | Description | Ref. | Part Number | Qty. | Description |
|------|-------------|------|---------------------------------------|--------|-------------|------|---------------------------|
| 1 | 127-7718-03 | 1 | Frame-Front | 18 | 93-0309 | 2 | Washer-Tab |
| 2 | 139-3360 | 2 | Screw-HF | 19 | 3220-7 | 2 | Nut-Jam |
| 3 | 139-3380 | 6 | Nut-HF | 20 | 93-0307 | 2 | Nut-Lock, Retainer |
| 4 | 144-2161 | 2 | Control Arm ASM | 21 | 3272-12 | 2 | Pin-Cotter |
| 4:2 | 140-4615 | 4 | Bushing-Flange | 22 | 241-119 | 2 | Cap-Dust |
| 5 | 139-4484 | 2 | Strut ASM, 250 Lb (16.33" EXT Length) | 23 | 112-1690 | 2 | Seal-Oil |
| 5:1 | 131-8574 | 1 | Isolator-Shock | 26 | 32144-70 | 2 | Screw-HWHTF |
| 5:2 | 137-6719 | 1 | Spring-Compression, 250Lb | 28 | 131-8339-03 | 1 | Reinforcement-Tower |
| 6 | 3234-46 | 2 | Screw-HHF | 31 | 144-2164 | 1 | Spindle ASM, LH |
| 7 | 99-5107 | 2 | Nut-Lock | 31:2 | 140-4615 | 2 | Bushing-Flange |
| 8 | 131-8581 | 2 | Sleeve-Control Arm, Inner | 32 | 144-2165 | 1 | Spindle ASM, RH |
| 9 | 131-8583 | 2 | Sleeve-Control Arm, Outer | 32:2 | 140-4615 | 2 | Bushing-Flange |
| 10 | 131-8582 | 2 | Sleeve-Kingpin | 34 | 139-4649 | 2 | Aluminum Whl And Tire ASM |
| 12 | 139-3370 | 2 | Screw-HF | 34:1 | 139-4601 | 1 | Wheel-Aluminum |
| 13 | 139-3350 | 2 | Screw-HF | 34:1:1 | 140-4570 | 1 | Cap-Aluminum Wheel |
| 16 | 254-94 | 4 | Bearing-Cone, Tapered | 34:2 | 120-3271 | 1 | Tire |
| 17 | 127-8851 | 2 | Front Hub ASM | 34:3 | 232-27 | 1 | Stem-Valve |
| 17:2 | 10-6830 | 4 | Stud-Type, Drive | 35 | 139-3603 | 8 | Nut-Lug |
| 17:3 | 254-72 | 2 | Bearing-Cup, Tapered | | | | |



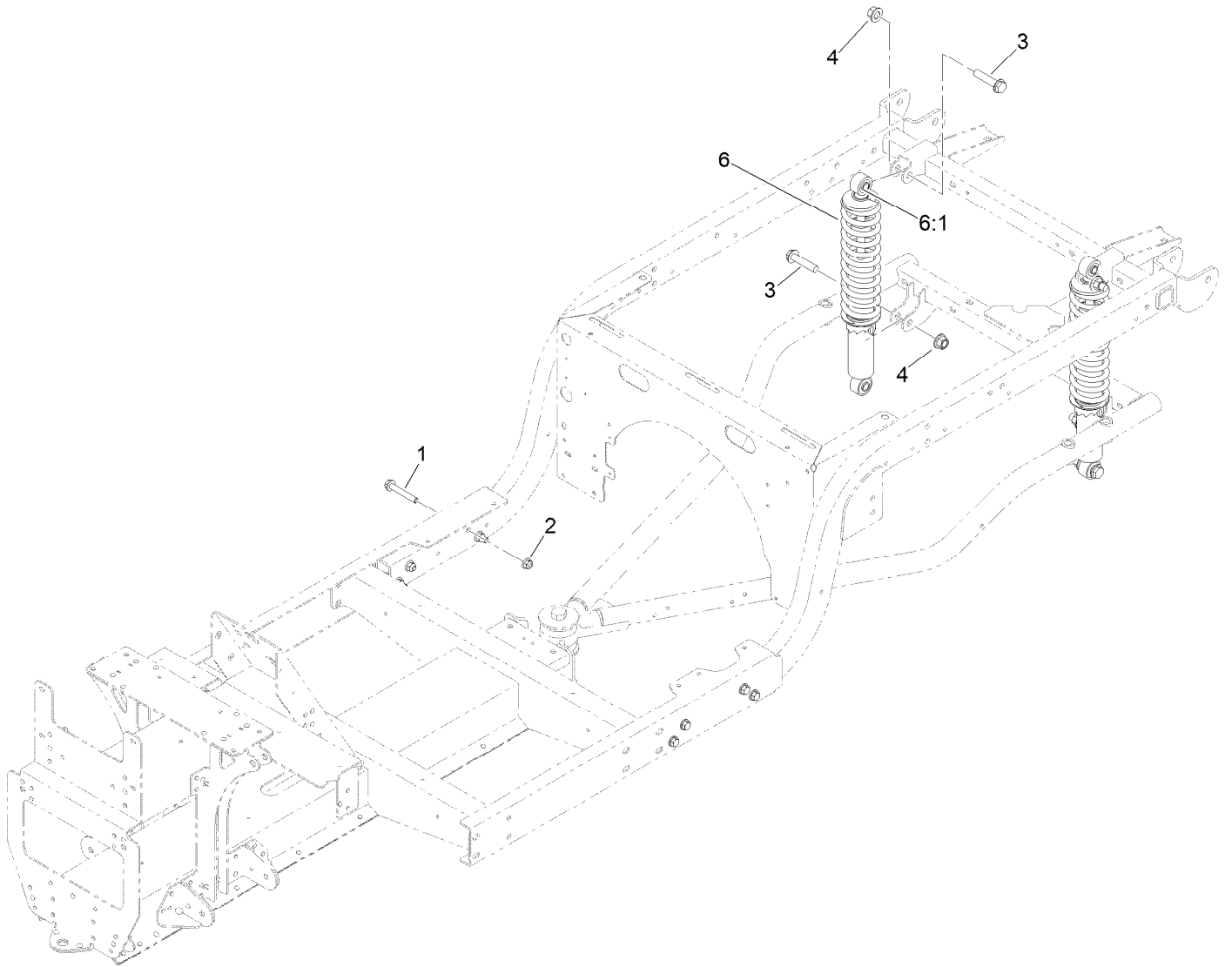
Floor Plate and Rear Suspension Mount Assembly

| <i>Ref.</i> | <i>Part Number</i> | <i>Qty.</i> | <i>Description</i> | <i>Ref.</i> | <i>Part Number</i> | <i>Qty.</i> | <i>Description</i> |
|-------------|--------------------|-------------|------------------------------|-------------|--------------------|-------------|--------------------|
| 1 | 104-8301 | 2 | Nut-HF, NI | 9 | 127-7832 | 2 | Bracket-Angle |
| 2 | 131-8466 | 1 | Mount-Suspension, Rear | 10 | 32144-70 | 16 | Screw-HWHTF |
| 3 | 127-7820-03 | 1 | Channel-Frame, Front (LH) | 11 | 32144-49 | 4 | Screw-HWHTF |
| 4 | 127-7821-03 | 1 | Channel-Frame, Front (RH) | 12 | 132-6777 | 4 | Screw-Twh Thd Roll |
| 5 | 127-7829 | 1 | Plate-Floor | 13 | 104-7201 | 4 | Nut-HF, NI |
| 6 | 131-8597 | 1 | Plate-Gimbal, Upper | 14 | 110-4549 | 1 | Washer-Snubbing |
| 7 | 323-42 | 2 | Screw-HH | 15 | 131-8480 | 1 | Isolator |
| 8 | 127-7837-03 | 2 | Bracket-Support, Floor Plate | 16 | 104-5877 | 1 | Screw-HH |



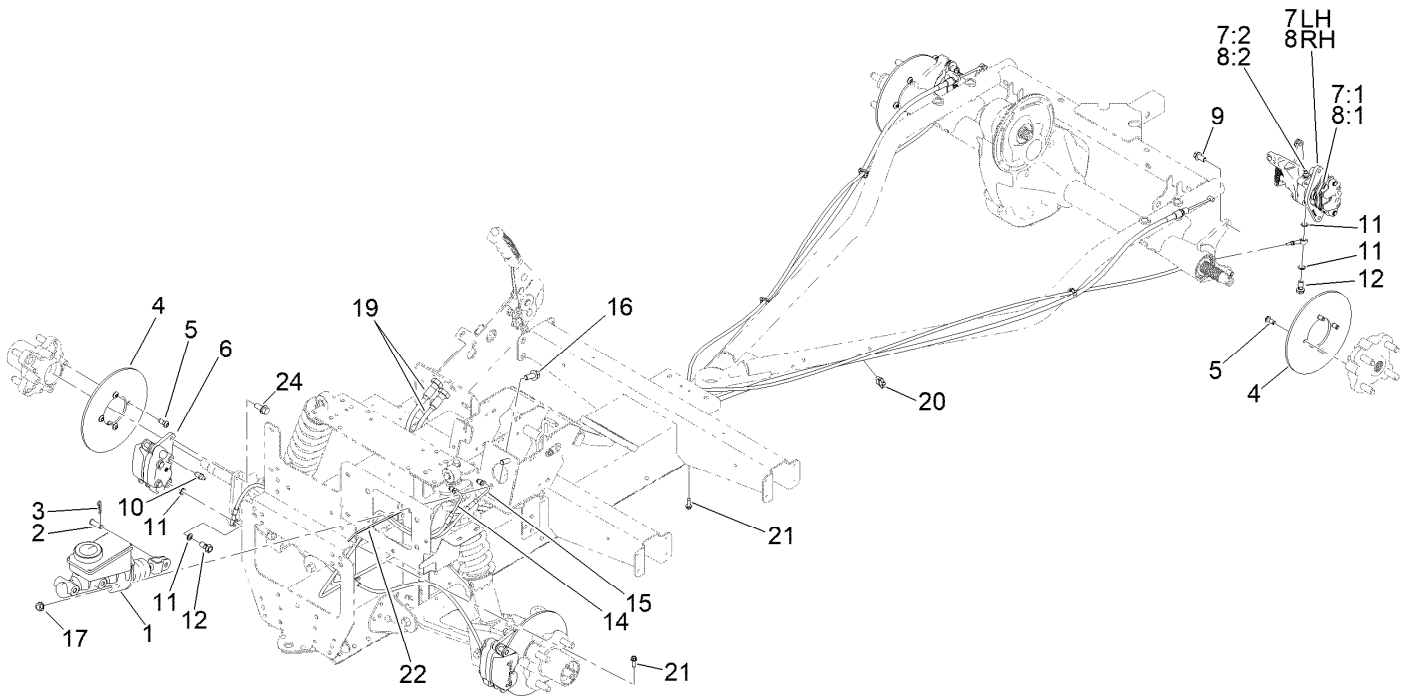
Rear Frame and Suspension Assembly

| <i>Ref.</i> | <i>Part Number</i> | <i>Qty.</i> | <i>Description</i> | <i>Ref.</i> | <i>Part Number</i> | <i>Qty.</i> | <i>Description</i> |
|-------------|--------------------|-------------|----------------------------|-------------|--------------------|-------------|--------------------------------|
| 1 | 140-2498 | 1 | Rear Frame ASM | 15 | 87-3910 | 2 | Bushing-Rubber |
| 1:2 | 115-2047 | 1 | Decal-Surface, Hot | 16 | 131-8310-03 | 1 | Bar-Sway, Anti |
| 3 | 127-7411-03 | 1 | Bracket-Bar, Stabilizer | 18 | 3231-22 | 4 | Screw-CARR |
| 4 | 3234-39 | 5 | Screw-HHF | 19 | 131-8346 | 2 | Panel-Side |
| 5 | 104-8301 | 9 | Nut-HF, NI | 20 | 125-9622 | 20 | Rivet-Blind |
| 6 | 3234-46 | 7 | Screw-HHF | 21 | 3290-378 | 2 | Tie-Cable |
| 7 | 99-5107 | 11 | Nut-Lock | 22 | 74-5950 | 2 | Latch-Swell |
| 8 | 109-5013 | 1 | Panhard Rod ASM | 25 | 137-6741 | 1 | Ball Mount ASM |
| 8:2 | 109-5009 | 2 | Bushing-Suspension, Rubber | 29 | 139-4648-03 | 1 | Bracket-Stabilizer Bar [black] |
| 8:3 | 109-5010 | 2 | Spacer | 30 | 139-4606 | 2 | Link ASM-Sway Bar |
| 9 | 86-1990 | 6 | Washer-Thrust | 31 | 140-4573 | 1 | Extended Panel-Cover |
| 10 | 131-8315 | 1 | Bracket-Link, Sway Bar | 31:2 | 99-7345 | 1 | Decal-Warning |
| 11 | 3234-40 | 4 | Screw-HF | 33 | 145-8016 | 1 | Decal-Gtx Electric |
| 14 | 139-4644 | 2 | Clamp, Anti-Sway Bar | | | | |



Frame Mount and Rear Shock/Spring Assembly

| <i>Ref.</i> | <i>Part Number</i> | <i>Qty.</i> | <i>Description</i> |
|-------------|--------------------|-------------|--------------------|
| 1 | 3234-39 | 8 | Screw-HHF |
| 2 | 104-8301 | 8 | Nut-HF, NI |
| 3 | 3234-46 | 4 | Screw-HHF |
| 4 | 99-5107 | 4 | Nut-Lock |
| 6 | 139-4608 | 2 | Shock/Spring ASM |
| 6:1 | 131-8574 | 2 | Isolator-Shock |



Brake Assembly

| Ref. | Part Number | Qty. | Description | Ref. | Part Number | Qty. | Description |
|------|-------------|------|-------------------------------------|------|-------------|------|-----------------------|
| 1 | 104-6782 | 1 | Master Cylinder ASM | 8:3 | 136-6328 | 2 | Spring-Rattle, Anti ● |
| 2 | 283-2 | 1 | Pin-Clevis | 9 | 144-5550 | 4 | Screw-Spl |
| 3 | 1-806003 | 1 | Pin-Cotter | 10 | 119-9509 | 2 | Screw-Bleed |
| 4 | 139-4474 | 4 | Rotor-Brake | 11 | 115-2341 | 8 | Washer-Banjo |
| 5 | 121-9671 | 16 | Screw-HSBH | 12 | 120-4875 | 4 | Bolt-Flange, Banjo |
| 6 | 140-2575 | 2 | Brake Caliper ASM | 14 | 127-7781 | 1 | Brake Line-Front |
| 7 | 140-2585 | 1 | Brake Caliper ASM, LH | 15 | 127-7782 | 1 | Brake Line-Rear |
| 7:1 | 140-2595 | 1 | Brake Pad Service Kit (Rear, Qty 4) | 16 | 3234-11 | 2 | Screw-HHF |
| 7:2 | 119-9509 | 1 | Screw-Bleed | 17 | 3290-357 | 2 | Nut-HSF |
| 7:3 | 136-6328 | 2 | Spring-Rattle, Anti ● | 19 | 131-8406 | 2 | Cable-Park Brake |
| 8 | 140-2590 | 1 | Brake Caliper ASM, RH | 20 | 32180-030 | 4 | Clip-Tie |
| 8:1 | 140-2595 | 1 | Brake Pad Service Kit (Rear, Qty 4) | 21 | 49-2040 | 2 | Screw-HWHTF |
| 8:2 | 119-9509 | 1 | Screw-Bleed | 22 | 3290-378 | 1 | Tie-Cable |
| | | | | 24 | 3234-25 | 4 | Screw-HHF |

● Not illustrated



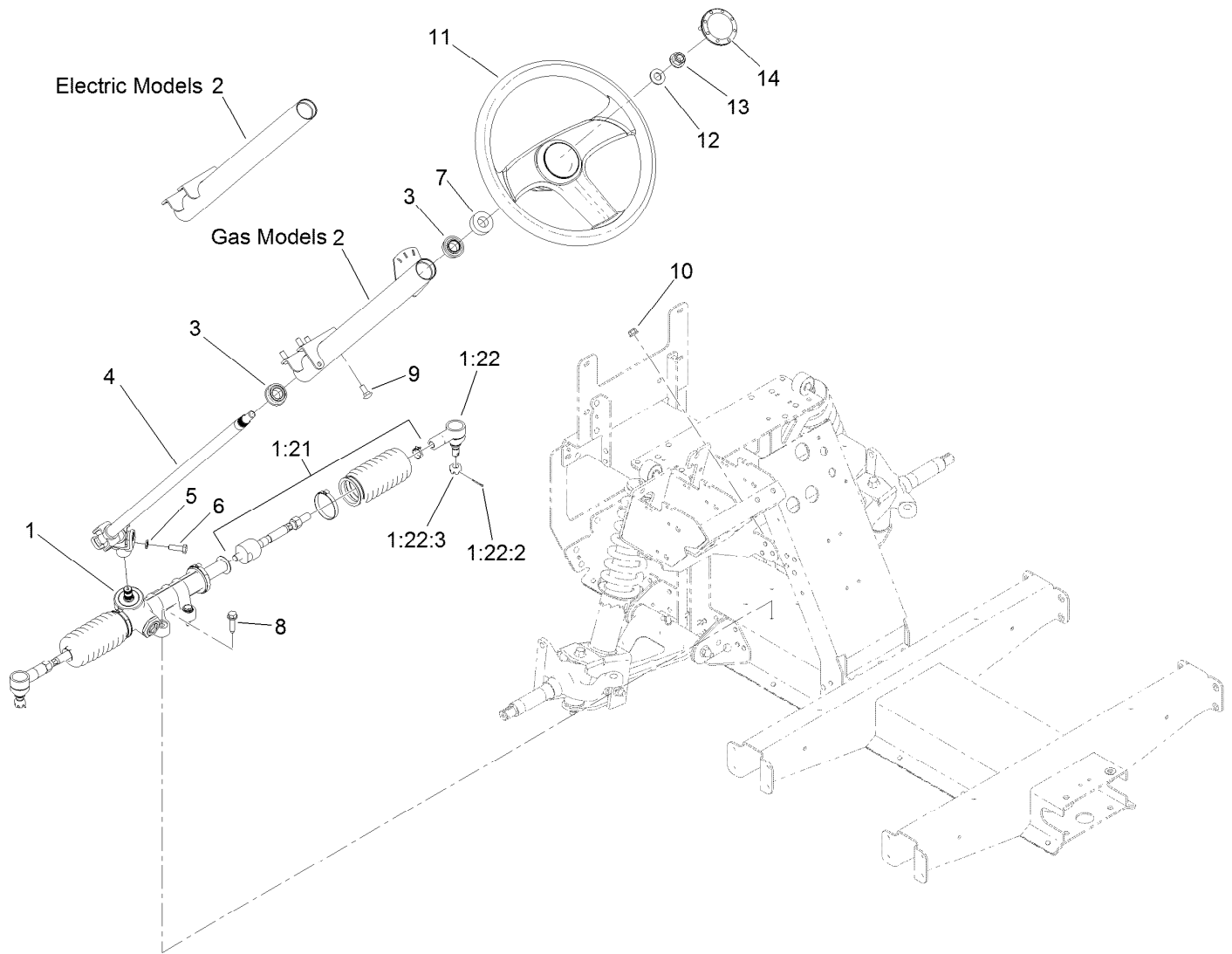
Master Cylinder Assembly No. 104-6782

| Ref. | Part Number | Qty. | Description |
|------|-------------|------|----------------------|
| 1 | 104-6845 | 1 | Reservoir ASM |
| 1:1 | 92-4112 | 1 | Cap ASM |
| 2 | 93-8971 | 2 | Seal-Port, Flange |
| 3 | 92-4103 | 1 | Pin-Stop |
| 4 | 92-4102 | 1 | Secondary Piston ASM |
| 5 | 92-4110 | 1 | Clevis |
| 6 | 21-0360 | 1 | Nut-Hex |
| 7 | 94-5209 | 1 | Cover-Dust |
| 8 | 94-5210 | 1 | Rod-Push |
| 9 | 92-4109 | 1 | Ring-Snap |
| 10 | 92-4108 | 1 | Retainer-Washer |
| 11 | 92-4101 | 1 | Primary Piston ASM |



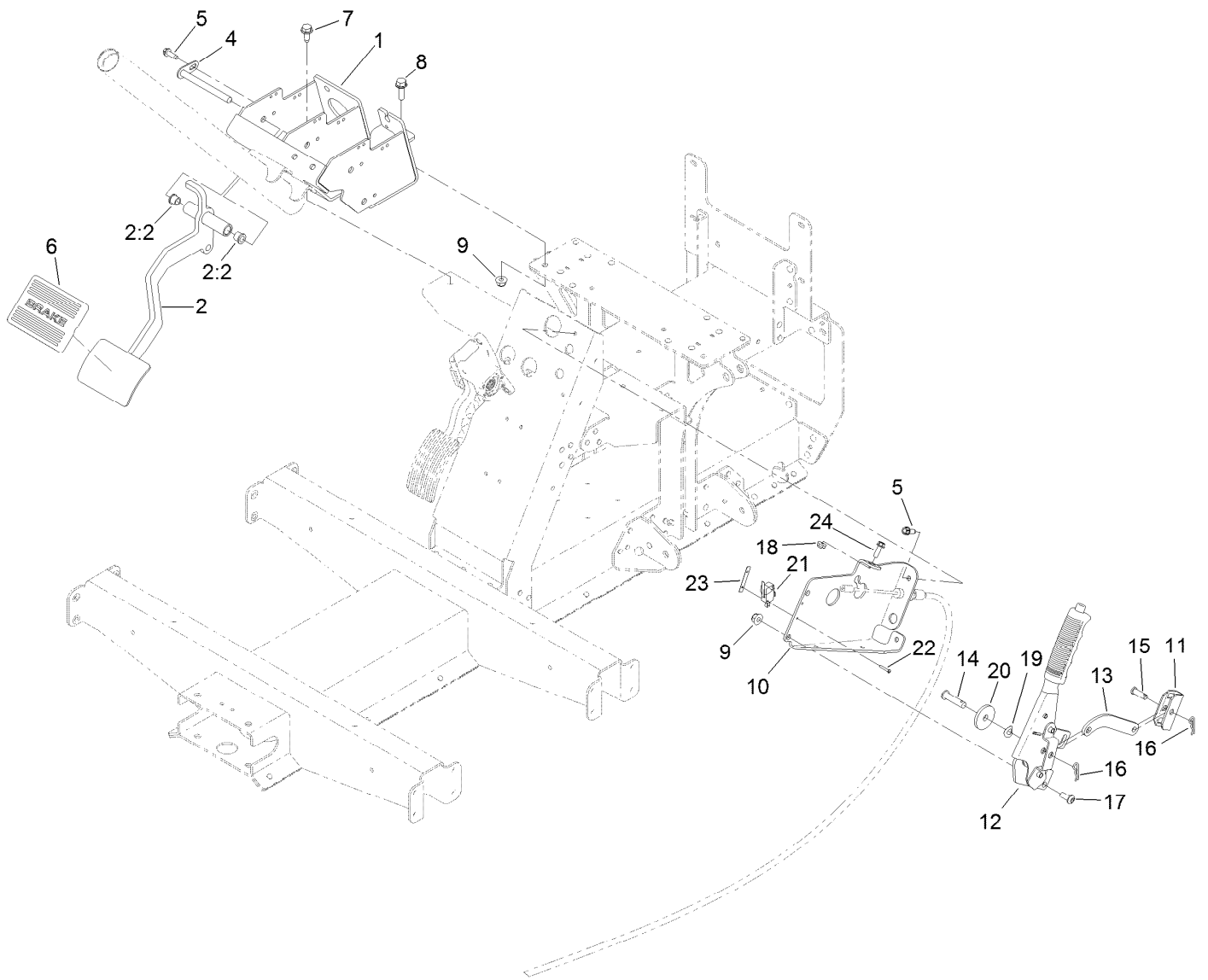
Brake Caliper Assembly No. 140-2575

| <i>Ref.</i> | <i>Part Number</i> | <i>Qty.</i> | <i>Description</i> |
|-------------|--------------------|-------------|--------------------------------------|
| 1 | 140-2580 | 1 | Brake Pad Service Kit (Front, Qty 4) |
| 2 | 119-9511 | 1 | Bracket Kit |
| 3 | 133-0614 | 1 | Piston Kit |



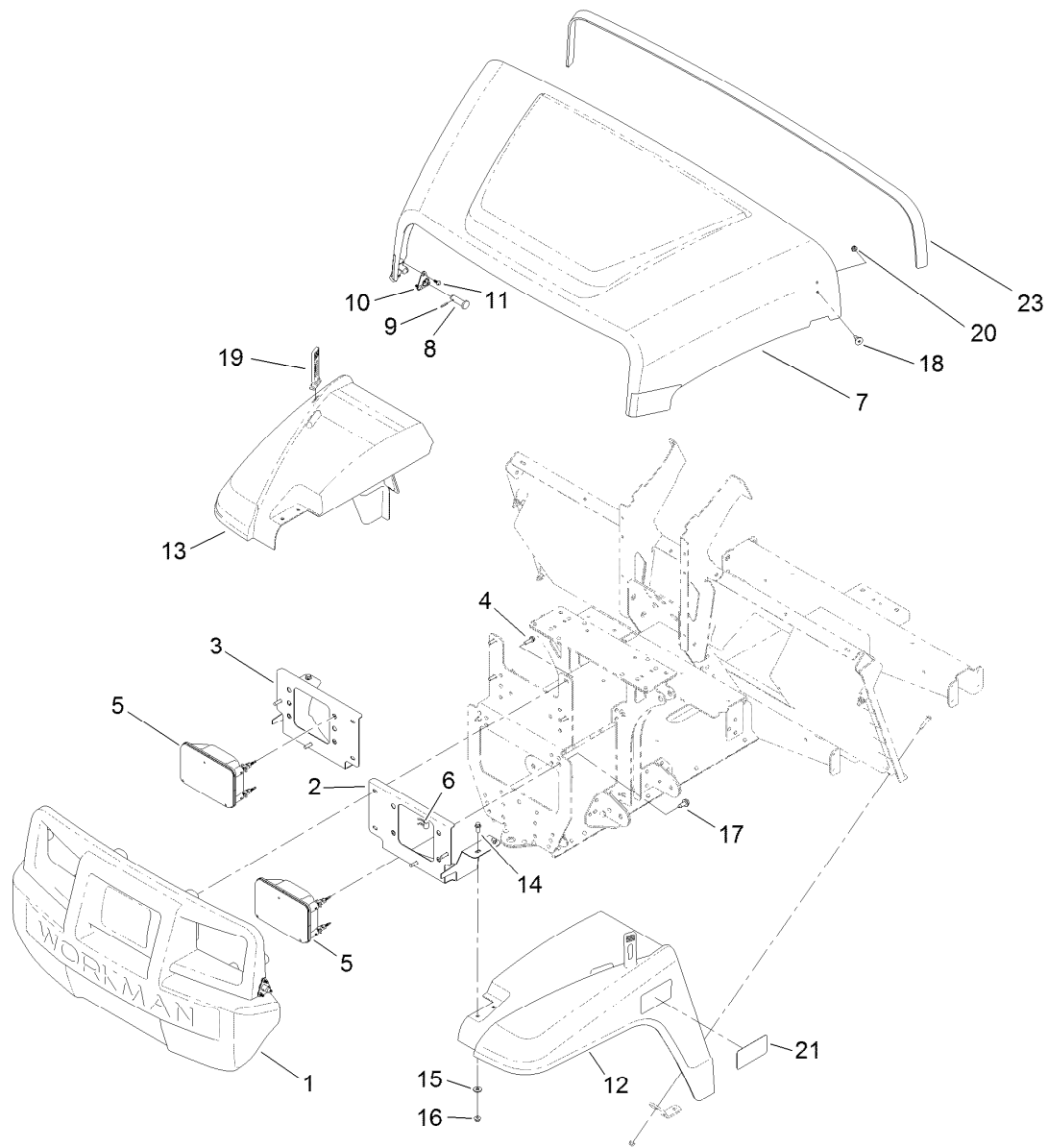
Steering Assembly

| <i>Ref.</i> | <i>Part Number</i> | <i>Qty.</i> | <i>Description</i> | <i>Ref.</i> | <i>Part Number</i> | <i>Qty.</i> | <i>Description</i> |
|-------------|--------------------|-------------|----------------------|-------------|--------------------|-------------|---------------------|
| 1 | 138-0114 | 1 | Steering Rack ASM | 6 | 116-3515 | 1 | Screw-HH, Special |
| 1:21 | 140-4591 | 1 | Kit-Tie Rod ASM, Gtx | 7 | 21-9260 | 1 | Cover-Dust |
| 1:22 | 140-4592 | 1 | Kit-Rod End ASM | 8 | 32144-49 | 4 | Screw-HWHTF |
| 1:22:2 | 3272-42 | 1 | Pin-Cotter | 9 | 3230-1 | 4 | Bolt-CARR |
| 1:22:3 | 140-2493 | 1 | Nut-Hex, Slotted | 10 | 104-8300 | 4 | Nut-HF, NI |
| 2 | 139-3343 | 1 | Steering Column ASM | 11 | 131-0957 | 1 | Wheel-Steering |
| 3 | 112-3262 | 2 | Bearing | 12 | 3256-26 | 1 | Washer-Flat |
| 4 | 127-8804 | 1 | Shaft-Steering | 13 | 99-5107 | 1 | Nut-Lock |
| 5 | 3253-4 | 1 | Washer-Lock | 14 | 131-3630 | 1 | Cap-Wheel, Steering |



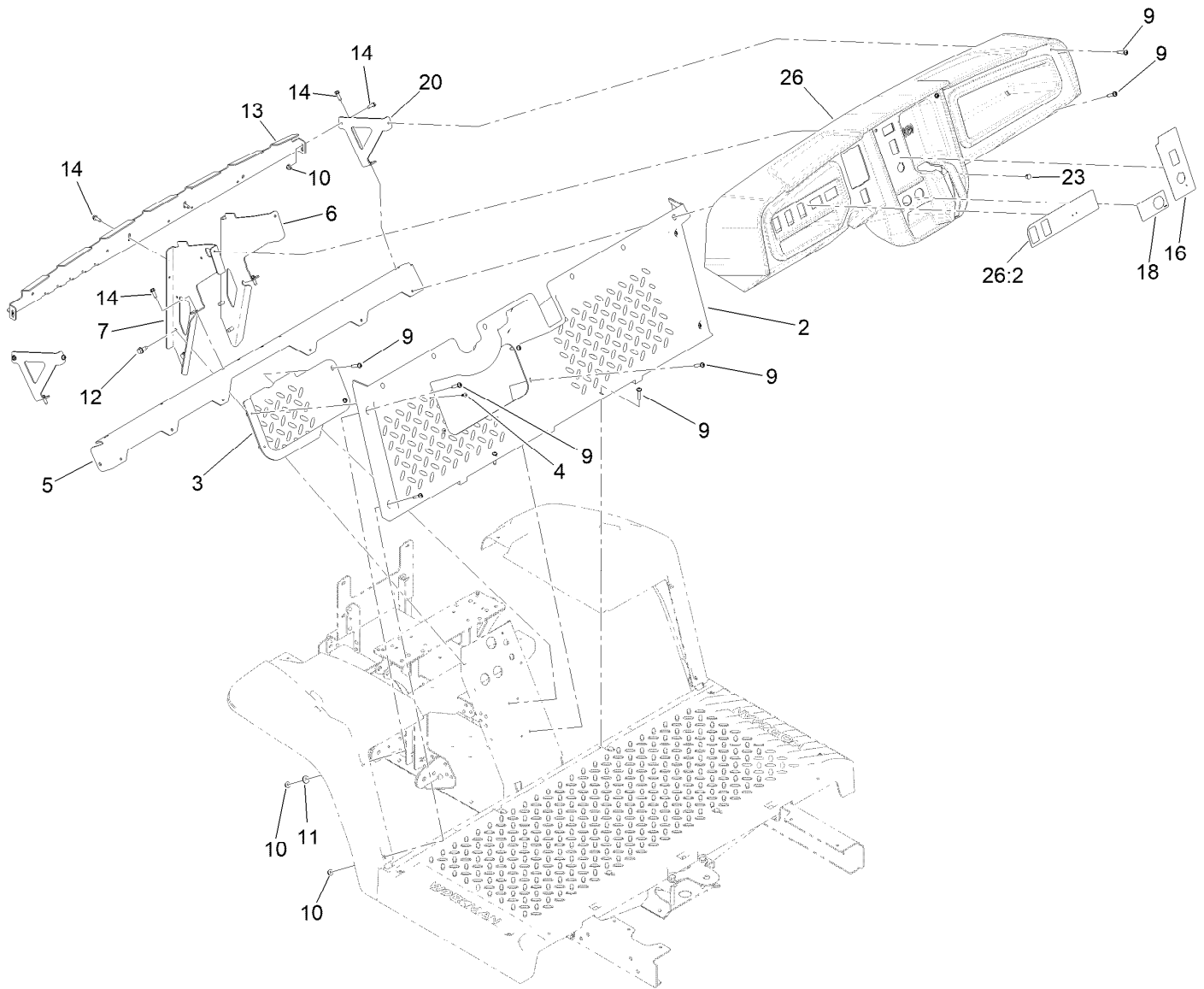
Pedal and Control Assembly

| <i>Ref.</i> | <i>Part Number</i> | <i>Qty.</i> | <i>Description</i> | <i>Ref.</i> | <i>Part Number</i> | <i>Qty.</i> | <i>Description</i> |
|-------------|--------------------|-------------|--------------------------|-------------|--------------------|-------------|--------------------|
| 1 | 127-8817-03 | 1 | Mount-Pedal | 13 | 144-0516 | 1 | Link-Park, Brake |
| 2 | 138-9385 | 1 | Brake Pedal ASM | 14 | 283-10 | 1 | Pin-Clevis |
| 2:2 | 256-116 | 2 | Bushing-Flange | 15 | 1-808280 | 1 | Pin-Clevis |
| 4 | 131-8459 | 1 | Shaft-Pivot | 16 | 1-806003 | 2 | Pin-Cotter |
| 5 | 49-2040 | 3 | Screw-HWHTF | 17 | 3274-55 | 2 | Screw-HSBH |
| 6 | 7-3900 | 1 | Pad-Brake | 18 | 104-7201 | 1 | Nut-HF, NI |
| 7 | 32144-70 | 2 | Screw-HWHTF | 19 | 121-4605 | 1 | Washer-Spring |
| 8 | 3234-29 | 1 | Screw-HHF | 20 | 131-8496 | 1 | Washer-Plain |
| 9 | 104-8300 | 3 | Nut-HF, NI | 21 | 108-6496 | 1 | Switch (W/Boot) |
| 10 | 140-4836-03 | 1 | Mount-Park Brake | 22 | 3290-313 | 2 | Screw-SPH |
| 11 | 87-3480 | 1 | Bracket-Equalizer, Cable | 23 | 3290-354 | 1 | Nut-Speed |
| 12 | 131-8320 | 1 | Lever-Brake, Park | 24 | 115-5103 | 1 | Screw-HHF |



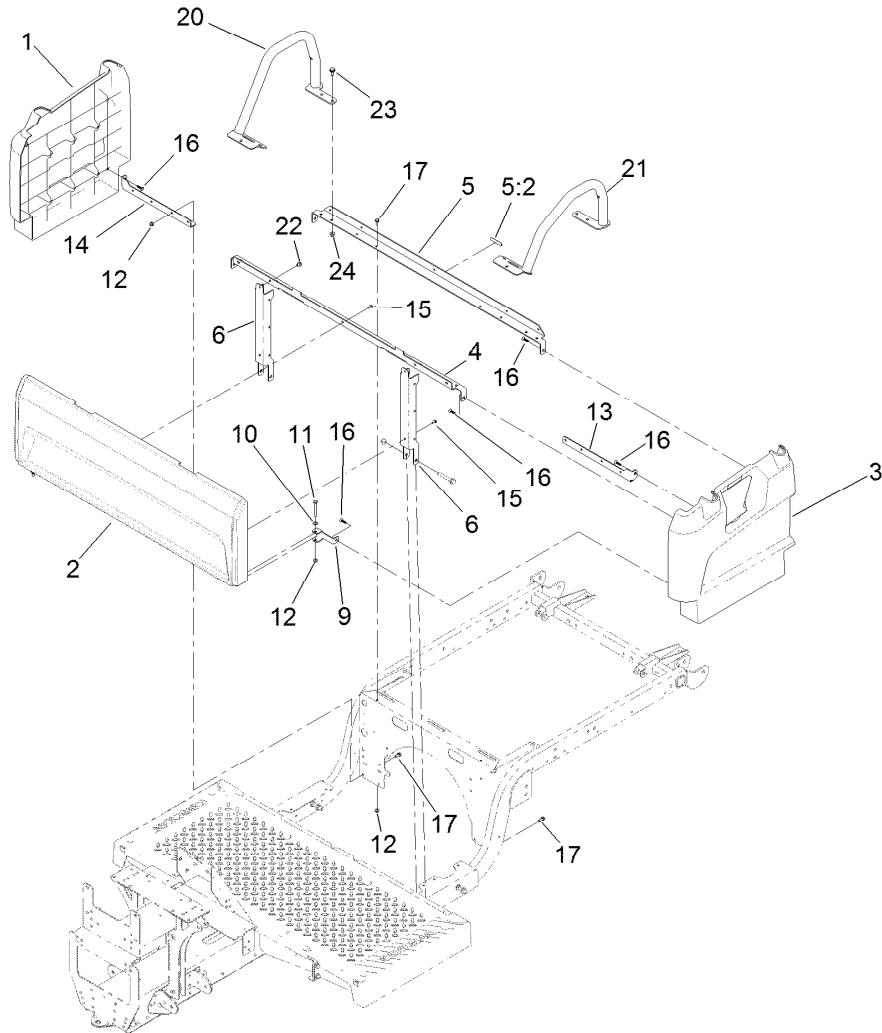
Hood and Fender Assembly

| <i>Ref.</i> | <i>Part Number</i> | <i>Qty.</i> | <i>Description</i> | <i>Ref.</i> | <i>Part Number</i> | <i>Qty.</i> | <i>Description</i> |
|-------------|--------------------|-------------|-----------------------|-------------|--------------------|-------------|----------------------------|
| 1 | 132-8530 | 1 | Bumper | 12 | 127-7771 | 1 | Fender-Front, LH |
| 2 | 131-8455-03 | 1 | Bracket-Headlight, LH | 13 | 127-7772 | 1 | Fender-Front, RH |
| 3 | 131-8456-03 | 1 | Bracket-Headlight, RH | 14 | 3234-33 | 4 | Screw-HHF |
| 4 | 46-8091 | 8 | Screw-HWH | 15 | 3256-2 | 4 | Washer-Flat |
| 5 | 138-9260 | 2 | Headlight ASM | 16 | 104-7201 | 4 | Nut-HF, NI |
| 6 | 115-2408 | 6 | Clip-Speed | 17 | 32144-70 | 2 | Screw-HWHTF |
| 7 | 136-6281 | 1 | Hood | 18 | 125-1122 | 2 | Screw |
| 8 | 117-5094 | 2 | Pin-Clevis | 19 | 131-8402 | 2 | Strap-Down, Hold |
| 9 | 32121-50 | 2 | Pin-Spring | 20 | 3296-56 | 2 | Nut-Lock, NI |
| 10 | 112-3308 | 2 | Retainer-Pin | 21 | 140-4585 | 2 | Decal-Fender, Gtx, Lithium |
| 11 | 121-9605 | 6 | Screw-HWH | 23 | 133-7210 | 1 | Seal-Trim, Hood |



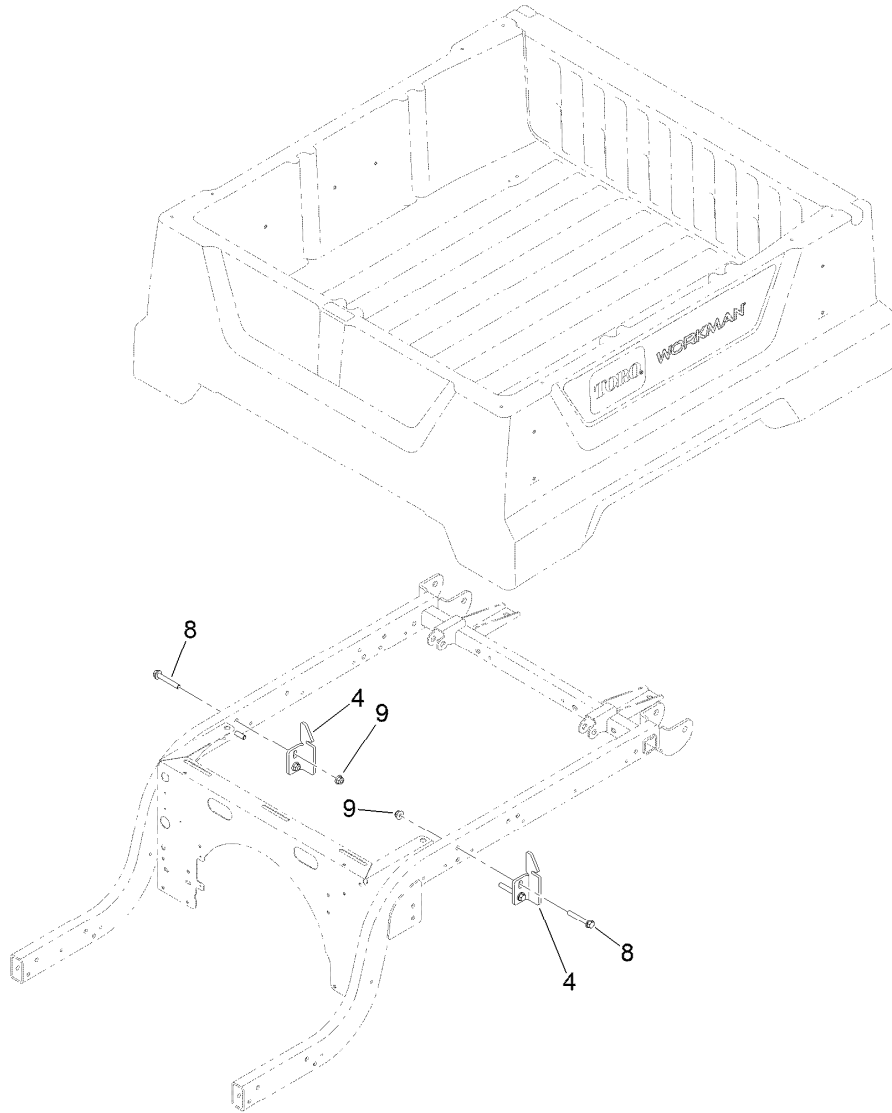
Dash Assembly

| <i>Ref.</i> | <i>Part Number</i> | <i>Qty.</i> | <i>Description</i> | <i>Ref.</i> | <i>Part Number</i> | <i>Qty.</i> | <i>Description</i> |
|-------------|--------------------|-------------|--------------------|-------------|--------------------|-------------|-------------------------------|
| 2 | 127-7846 | 1 | Footboard | 13 | 131-8568-03 | 1 | Reinforcement-Dash |
| 3 | 127-7847 | 1 | Cover-Footboard | 14 | 49-2040 | 8 | Screw-HWHTF |
| 4 | 107-7461 | 2 | Screw-Plastite | 16 | 145-2263 | 1 | Decal-Control Panel, Electric |
| 5 | 127-7831-03 | 1 | Angle | 18 | 131-8493 | 1 | Decal-USB |
| 6 | 131-8336-03 | 1 | Bracket-Dash, RH | 20 | 131-8569-03 | 2 | Bracket-Dash, Side |
| 7 | 145-2094-03 | 1 | Bracket-Dash, LH | 23 | 104-9368 | 1 | Plug-Dome |
| 9 | 132-6777 | 20 | Screw-Twh Thd Roll | 26 | 145-2098 | 1 | Dash-Gtx Lithium |
| 10 | 104-7201 | 6 | Nut-HF, NI | 26:2 | 145-2261 | 1 | Decal-Dashboard, Gtx |
| 11 | 3256-2 | 2 | Washer-Flat | | | | |
| 12 | 32144-70 | 4 | Screw-HWHTF | | | | |



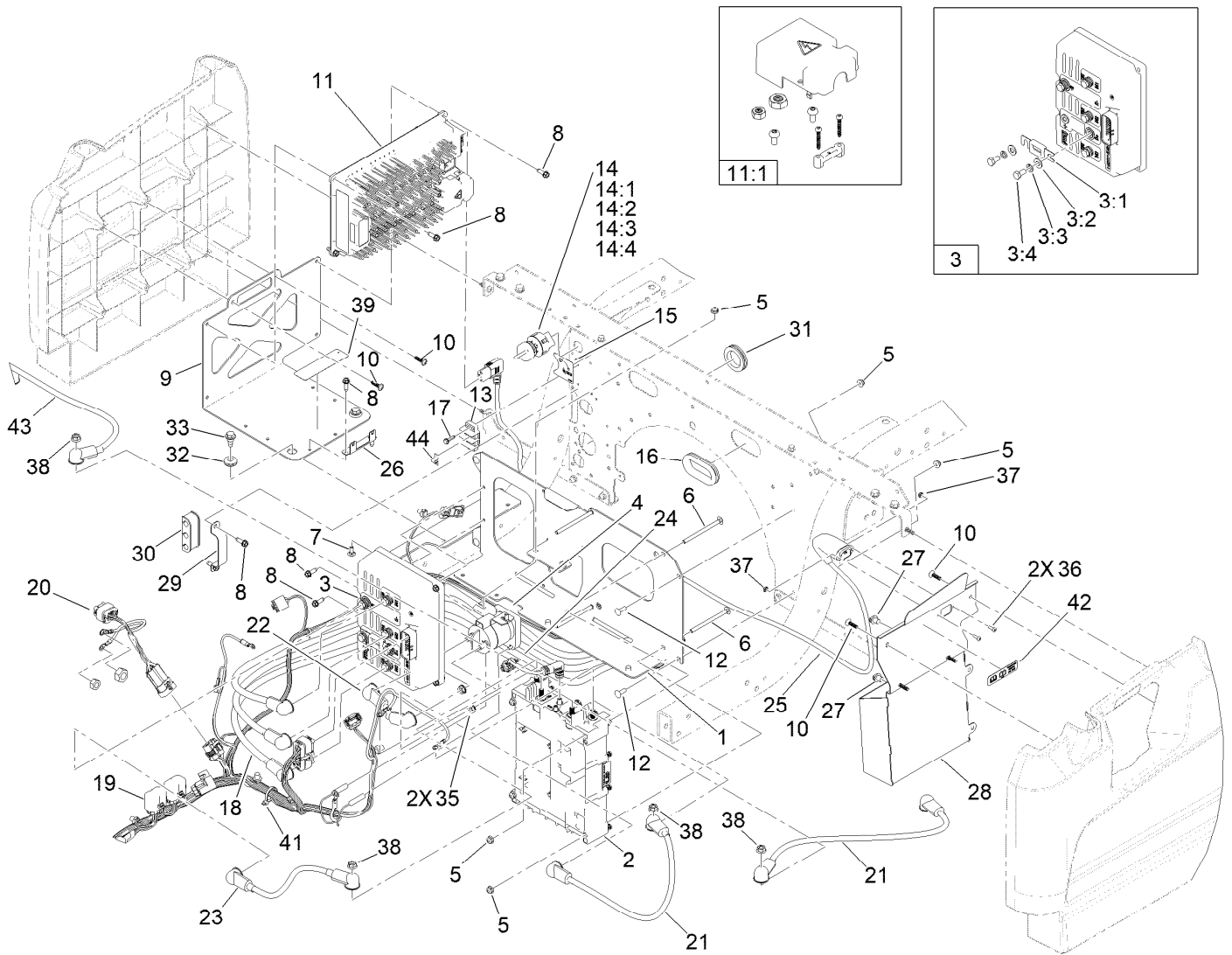
Seatbase Assembly

| <i>Ref.</i> | <i>Part Number</i> | <i>Qty.</i> | <i>Description</i> | <i>Ref.</i> | <i>Part Number</i> | <i>Qty.</i> | <i>Description</i> |
|-------------|--------------------|-------------|-----------------------|-------------|--------------------|-------------|----------------------------|
| 1 | 127-7805 | 1 | Side-Base, Seat (RH) | 13 | 127-7842-03 | 1 | Bracket-Support, Side (LH) |
| 2 | 133-7188 | 1 | Panel-Base, Seat | 14 | 127-7843-03 | 1 | Bracket-Support, Side (RH) |
| 3 | 127-7807 | 1 | Side-Base, Seat (LH) | 15 | 112-6349 | 5 | Screw-HWH |
| 4 | 133-7345-03 | 1 | Support-Seat | 16 | 120-2349 | 8 | Screw |
| 5 | 137-6991 | 1 | Seat Support ASM | 17 | 3234-33 | 6 | Screw-HHF |
| 5:2 | 120-9570 | 1 | Decal-Warning | 20 | 131-8352-05 | 1 | Restraint-Hip, RH |
| 6 | 127-7841-03 | 2 | Channel-Support, Seat | 21 | 131-8353-05 | 1 | Restraint-Hip, LH |
| 9 | 127-7844-03 | 2 | Clamp-Plate, Floor | 22 | 46-6810 | 2 | Screw And Washer ASM |
| 10 | 3256-22 | 2 | Washer-Flat | 23 | 32144-70 | 6 | Screw-HWHTF |
| 11 | 321-18 | 2 | Screw-HH | 24 | 104-8300 | 6 | Nut-HF, NI |
| 12 | 104-7201 | 8 | Nut-HF, NI | | | | |



Cargo Bed Assembly

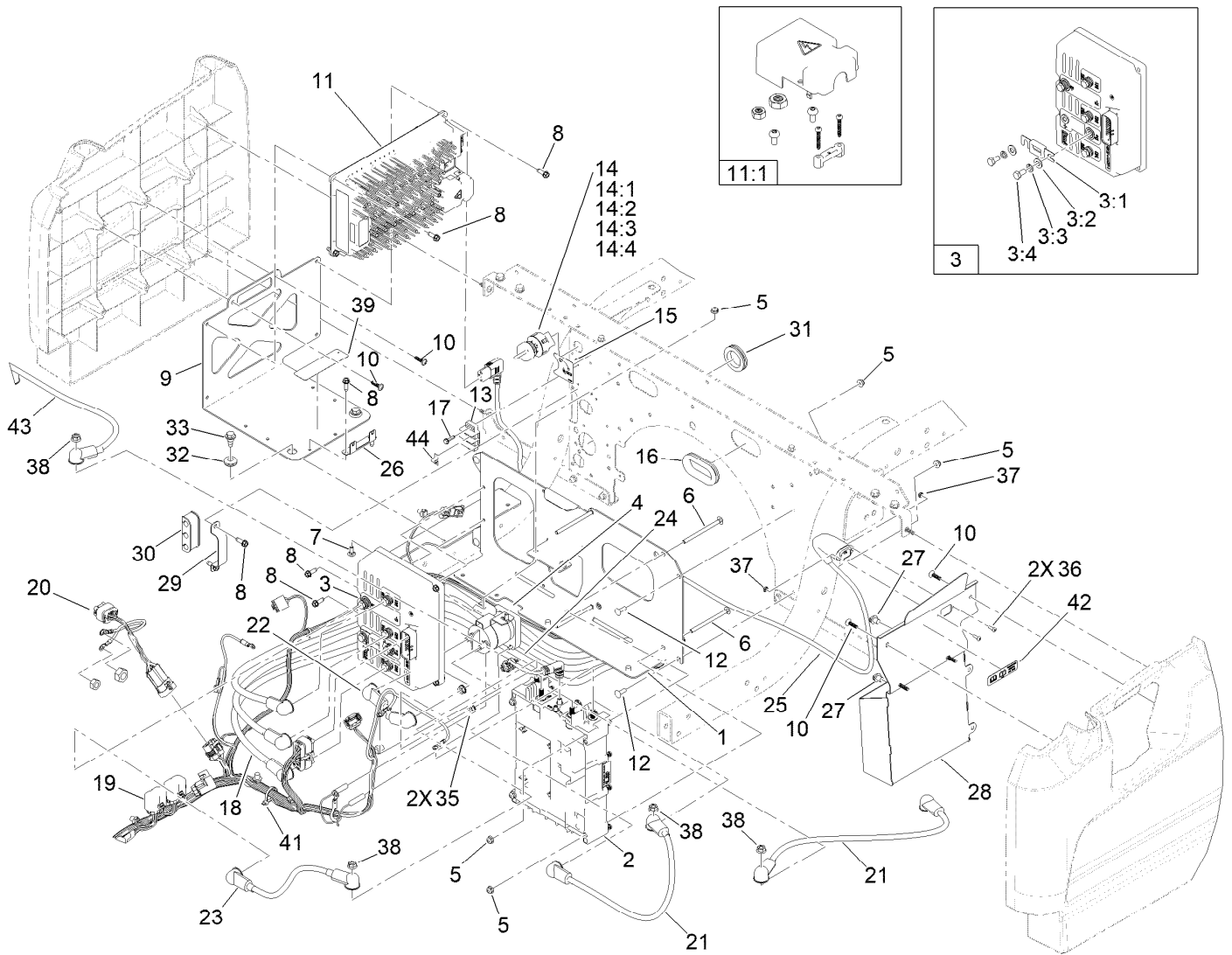
| <i>Ref.</i> | <i>Part Number</i> | <i>Qty.</i> | <i>Description</i> |
|-------------|--------------------|-------------|--------------------|
| 4 | 127-7428-03 | 2 | Striker-Latch, Bed |
| 8 | 3234-39 | 4 | Screw-HHF |
| 9 | 104-8301 | 4 | Nut-HF, NI |



Controller and Charger Assembly

| Ref. | Part Number | Qty. | Description | Ref. | Part Number | Qty. | Description |
|------|-------------|------|-----------------------------|------|-------------|------|--|
| 1 | 139-4639-03 | 1 | Bracket-Controller, Lithium | 14 | 110-2580 | 1 | Switch-Key, Supervisor |
| 2 | 137-9651 | 1 | Controller | 14:1 | | 1 | Switch-Key ● |
| 3 | 139-4600 | 1 | Controller-Sevcon | 14:2 | 108-8660 | 1 | Nut-Mounting |
| 3:1 | 131-8494 | 1 | Fuse-425 Amp | 14:3 | 110-5221 | 1 | Set-Key, Supervisor |
| 3:2 | 33094-00 | 6 | Washer-Plain | 14:4 | 108-8659 | 1 | Washer-Backup |
| 3:3 | 3253-4 | 6 | Washer-Lock | 15 | 131-8527 | 1 | Decal-Mode |
| 3:4 | 33114-016 | 6 | Screw-HH | 16 | 240-12 | 1 | Grommet-Rubber |
| 4 | 104-7136 | 1 | Contactora-Trombeta | 17 | 100-4351 | 2 | Screw-HWH |
| 5 | 104-7201 | 10 | Nut-HF, NI | 18 | 122-1718 | 3 | Battery-Cable, Positive ASM |
| 6 | 139-4633 | 4 | Screw-Carriage | 19 | 122-2488 | 1 | Harness-Wire, Gtx-E, Samsung Li, Main |
| 7 | 3229-11 | 2 | Screw-CARR | 20 | 122-1918 | 1 | Harness-Wire, Gtx-Li Charger Interface |
| 8 | 49-2040 | 12 | Screw-HWHTF | 21 | 122-1741 | 2 | Cable-Battery, Positive ASM |
| 9 | 139-4629-03 | 1 | Bracket-Charger, Lithium | 22 | 122-1743 | 1 | Cable-Battery, Positive ASM |
| 10 | 120-2349 | 6 | Screw | 23 | 122-1745 | 1 | Cable-Battery, Negative ASM |
| 11 | 139-4645 | 1 | Charger-48V Onboard | | | | |
| 11:1 | 140-2494 | 1 | Charger Kit-Service | | | | |
| 12 | 1-807512 | 4 | Bolt-CARR | | | | |
| 13 | 42862 | 1 | Block-Terminal, Ground | | | | |

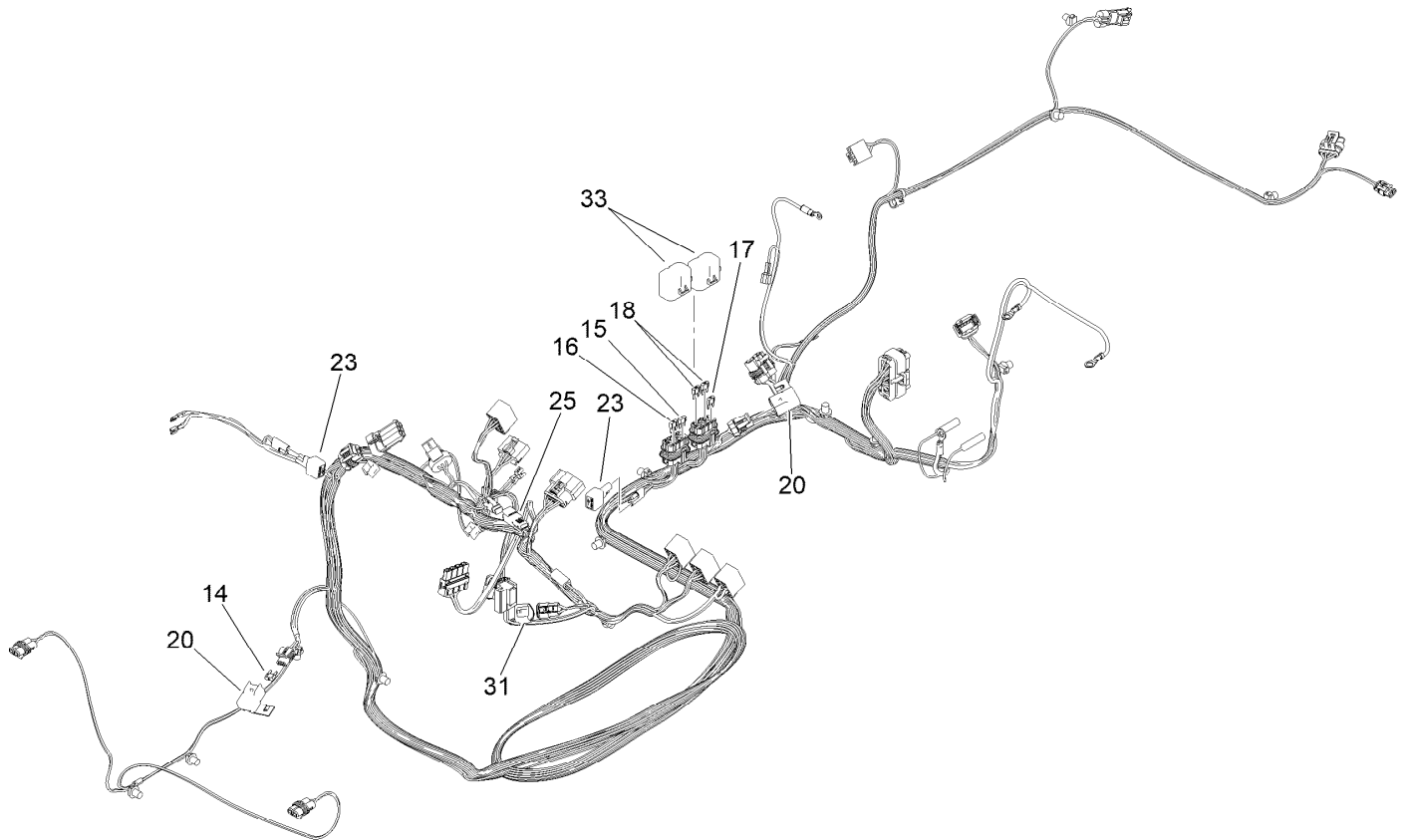
● Not serviced separately



Controller and Charger Assembly (continued)

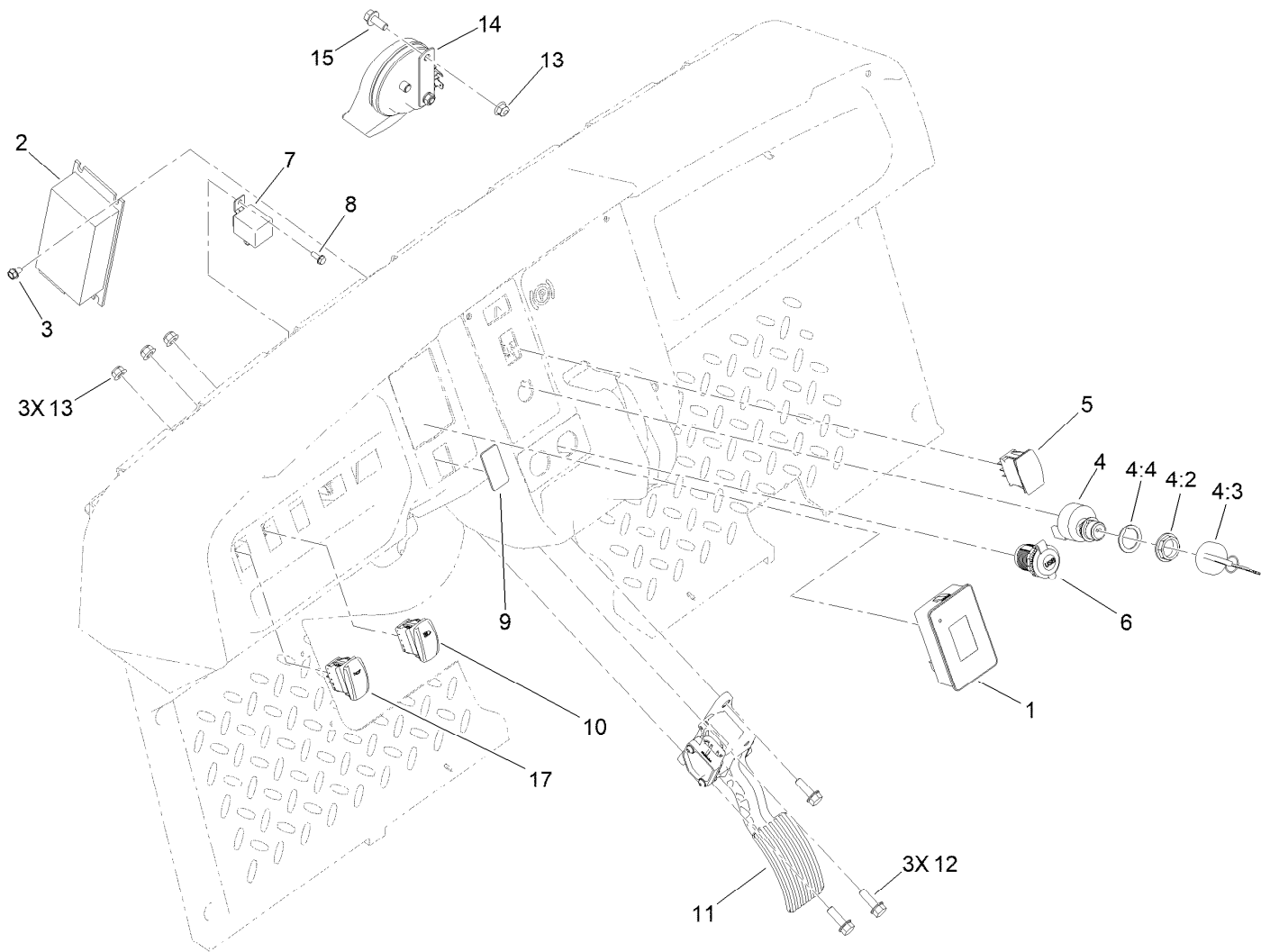
| Ref. | Part Number | Qty. | Description | Ref. | Part Number | Qty. | Description |
|------|-------------|------|---------------------------------|------|-------------|------|-----------------------------|
| 24 | 122-1667 | 1 | Harness-Wire, Interface(System) | 33 | 99-5105 | 2 | Screw-Shoulder |
| 25 | 140-4628 | 1 | Cordset W/Filter | 35 | 107-0380 | 2 | Nut-HHF |
| 26 | 138-9299 | 1 | Bracket-Fuse Block | 36 | 3250-26 | 2 | Screw-PPH |
| 27 | 32180-030 | 4 | Clip-Tie | 37 | 3296-54 | 2 | Nut-Lock |
| 28 | 140-2496-05 | 1 | Bracket-Charger Outlet ASM [blk | 38 | 140-2488 | 4 | Nut-HF |
| 29 | 140-4579 | 1 | Retainer-Isolator | 39 | 145-2275 | 1 | Decal-Fuse Block 48V |
| 30 | 131-8420 | 1 | Isolator-Clamp | 41 | 3290-378 | 1 | Tie-Cable |
| 31 | 240-7 | 1 | Grommet-Rubber | 42 | 140-4590 | 1 | Decal-Charger Input Lithium |
| 32 | 1-633630 | 2 | Grommet | 43 | 122-1744 | 1 | Cable-Battery, Negative ASM |
| | | | | 44 | 42863 | 1 | Strip-Jumper |

● Not serviced separately



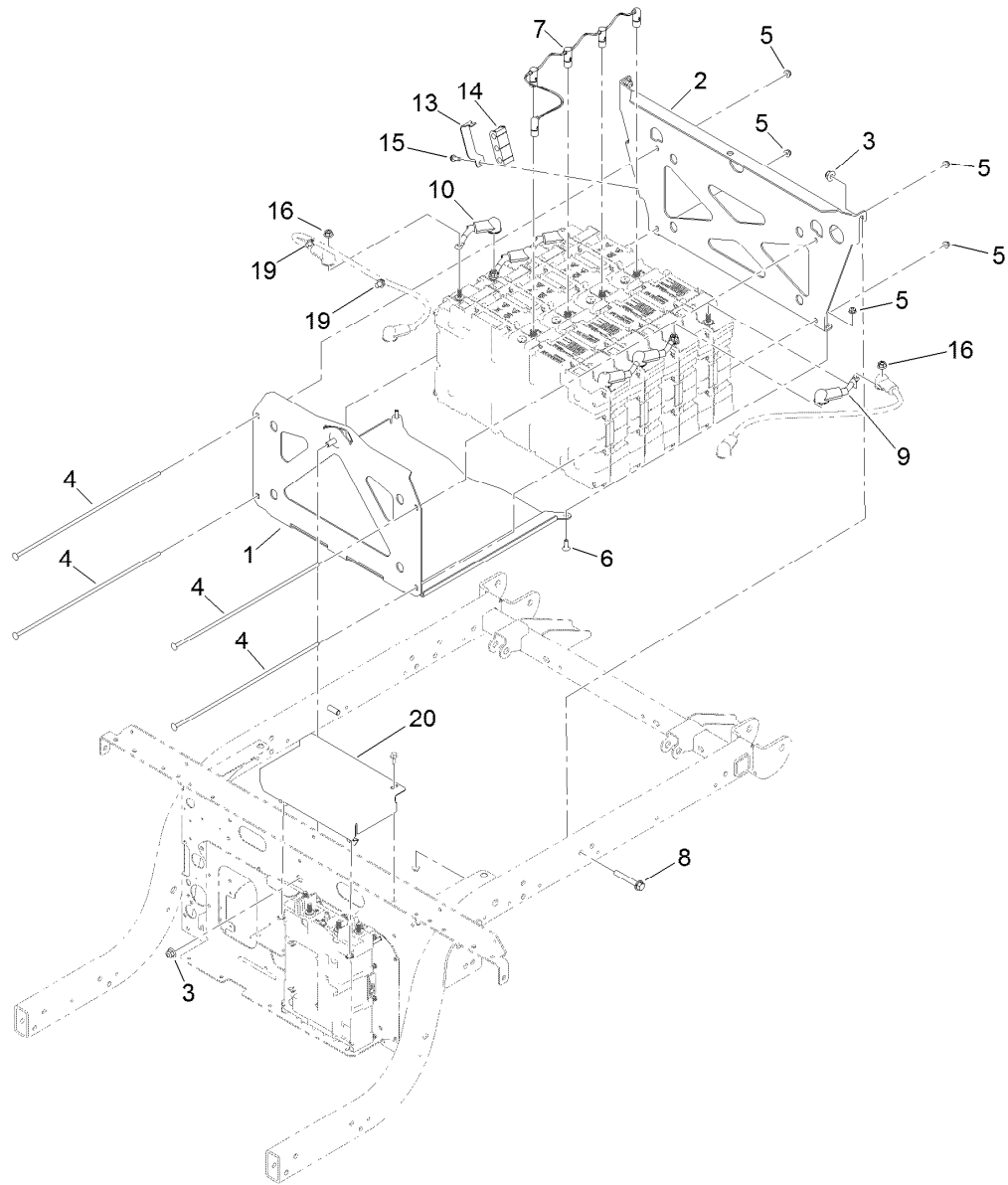
Main Wire Harness Assembly No. 122-2488

| <i>Ref.</i> | <i>Part Number</i> | <i>Qty.</i> | <i>Description</i> |
|-------------|--------------------|-------------|------------------------------------|
| 14 | 121-8875 | 1 | Fuse-Mini Blade, 2 Amp |
| 15 | 121-8864 | 1 | Fuse-Mini Blade, 5 Amp |
| 16 | 121-8866 | 1 | Fuse-Mini Blade, 10 Amp |
| 17 | 121-8880 | 1 | Fuse-Mini Blade, 10 Amp |
| 18 | 121-8882 | 2 | Fuse-Mini Blade, 20 Amp |
| 20 | 32180-101 | 2 | Cover-Fuse, Single |
| 23 | 100-4918 | 2 | Diode |
| 25 | 32180-282 | 1 | Resistor-120 Ohm |
| 31 | 32180-089 | 1 | Cap-Plug, 3 Way |
| 33 | 32180-195 | 2 | Cover-Cooper-Bussmann, Cfh (Short) |



Accelerator Pedal and Horn Assembly

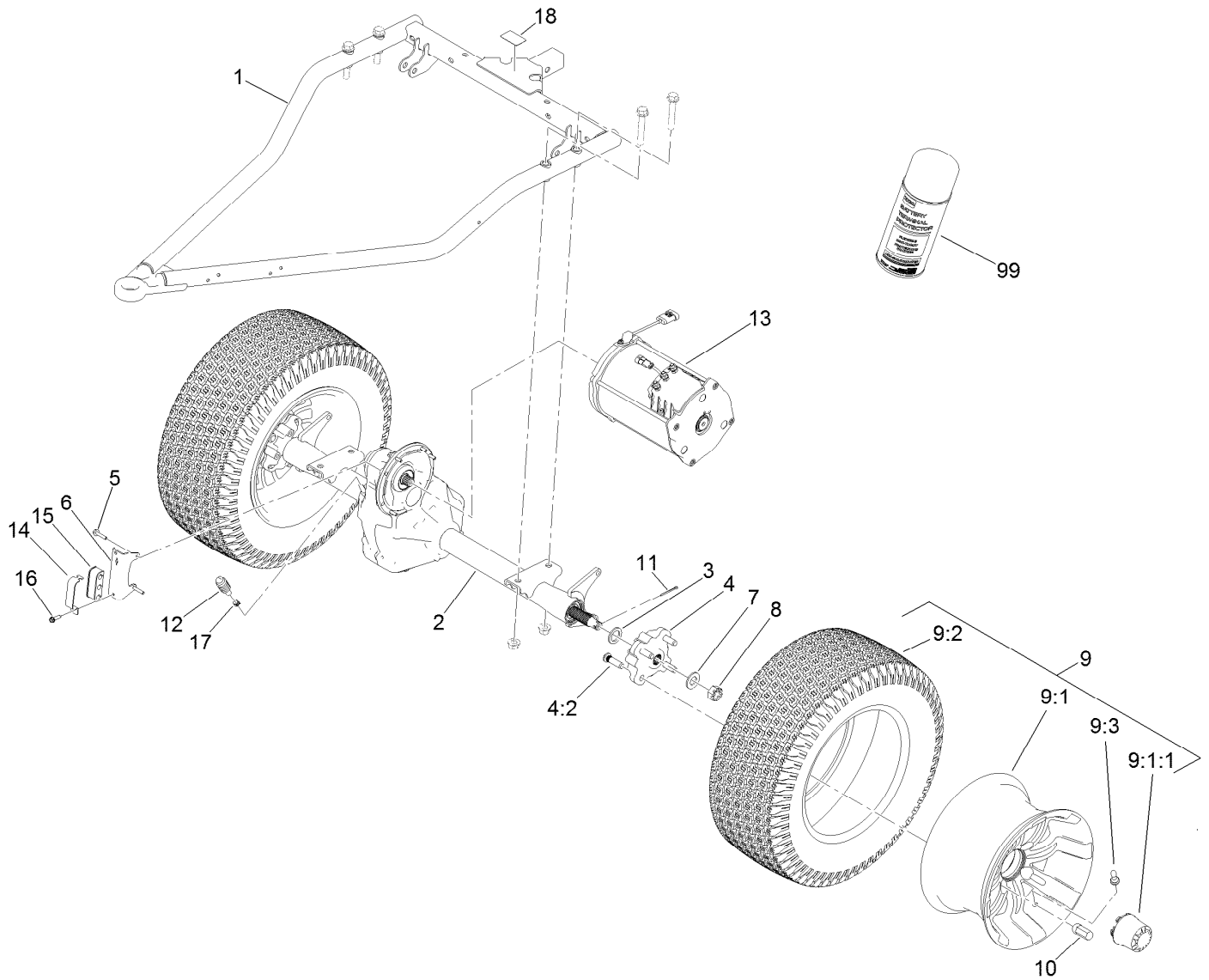
| Ref. | Part Number | Qty. | Description | Ref. | Part Number | Qty. | Description |
|------|-------------|------|-----------------------------|------|-------------|------|------------------------------|
| 1 | 122-2152 | 1 | Controller, Tdm-1601 | 9 | 99-7420 | 1 | Plug-Hole |
| 2 | 137-7952 | 1 | Converter-DC-DC | 10 | 144-2405 | 1 | Switch-Rocker, On-None-On |
| 3 | 99-8445 | 2 | Screw-HWH | 11 | 121-9675 | 1 | Pedal-Accelerator |
| 4 | 106-5269 | 1 | Ignition Switch ASM | 12 | 3234-29 | 3 | Screw-HHF |
| 4:2 | 108-8660 | 1 | Nut-Mounting | 13 | 104-8300 | 4 | Nut-HF, NI |
| 4:3 | 106-5270 | 1 | Ignition Key Set | 14 | 107-0358 | 1 | Horn |
| 4:4 | 108-8659 | 1 | Washer-Backup | 15 | 3234-5 | 1 | Screw-HHF |
| 5 | 144-2407 | 1 | Switch-Rocker, On-Off-On | 17 | 144-2415 | 1 | Switch-Rocker, (On)-None-Off |
| 6 | 131-8388 | 1 | Socket-USB | | | | |
| 7 | 122-2401 | 1 | Relay, 48V Coil, 50A At 48V | | | | |
| 8 | 32144-1 | 1 | Screw-Taptite | | | | |



Battery Cable Assembly

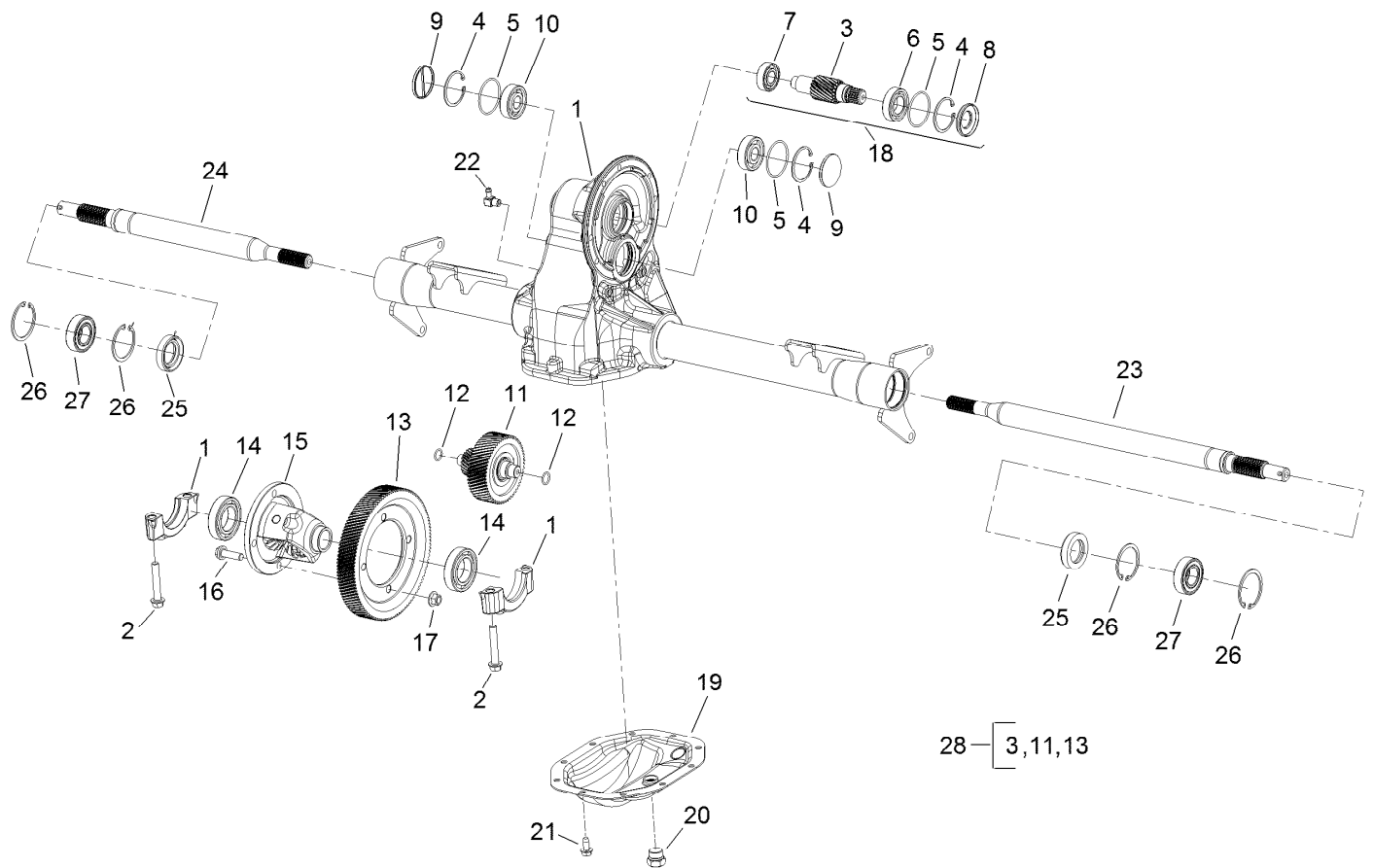
| <i>Ref.</i> | <i>Part Number</i> | <i>Qty.</i> | <i>Description</i> | <i>Ref.</i> | <i>Part Number</i> | <i>Qty.</i> | <i>Description</i> |
|-------------|--------------------|-------------|---------------------------|-------------|--------------------|-------------|-------------------------|
| 1 | 139-4609-03 | 1 | Front Bracket ASM [black] | 10 | 122-1697 | 3 | Cable-Battery, Negative |
| 2 | 139-4636-03 | 1 | Bracket-Rear, Lithium | 13 | 131-8482 | 1 | Retainer-Isolator |
| 3 | 104-8301 | 3 | Nut-HF, NI | 14 | 131-8420 | 1 | Isolator-Clamp |
| 4 | 139-4628 | 4 | Screw-CARR | 15 | 49-2040 | 1 | Screw-HWHTF |
| 5 | 104-7201 | 6 | Nut-HF, NI | 16 | 140-2488 | 8 | Nut-HF |
| 6 | 1-807512 | 2 | Bolt-CARR | 17 | 107-0382 | 1 | Powercord-AC, Europe ● |
| 7 | 122-1716 | 1 | Cable-Data, Samsung M/S | 17 | 107-0383 | 1 | Powercord-AC, U.K. ● |
| 8 | 3234-39 | 2 | Screw-HHF | 19 | 32180-030 | 2 | Clip-Tie |
| 9 | 122-1696 | 3 | Cable-Battery, Positive | 20 | 140-4799-03 | 1 | Bracket-Shield, Bms |

● Not illustrated



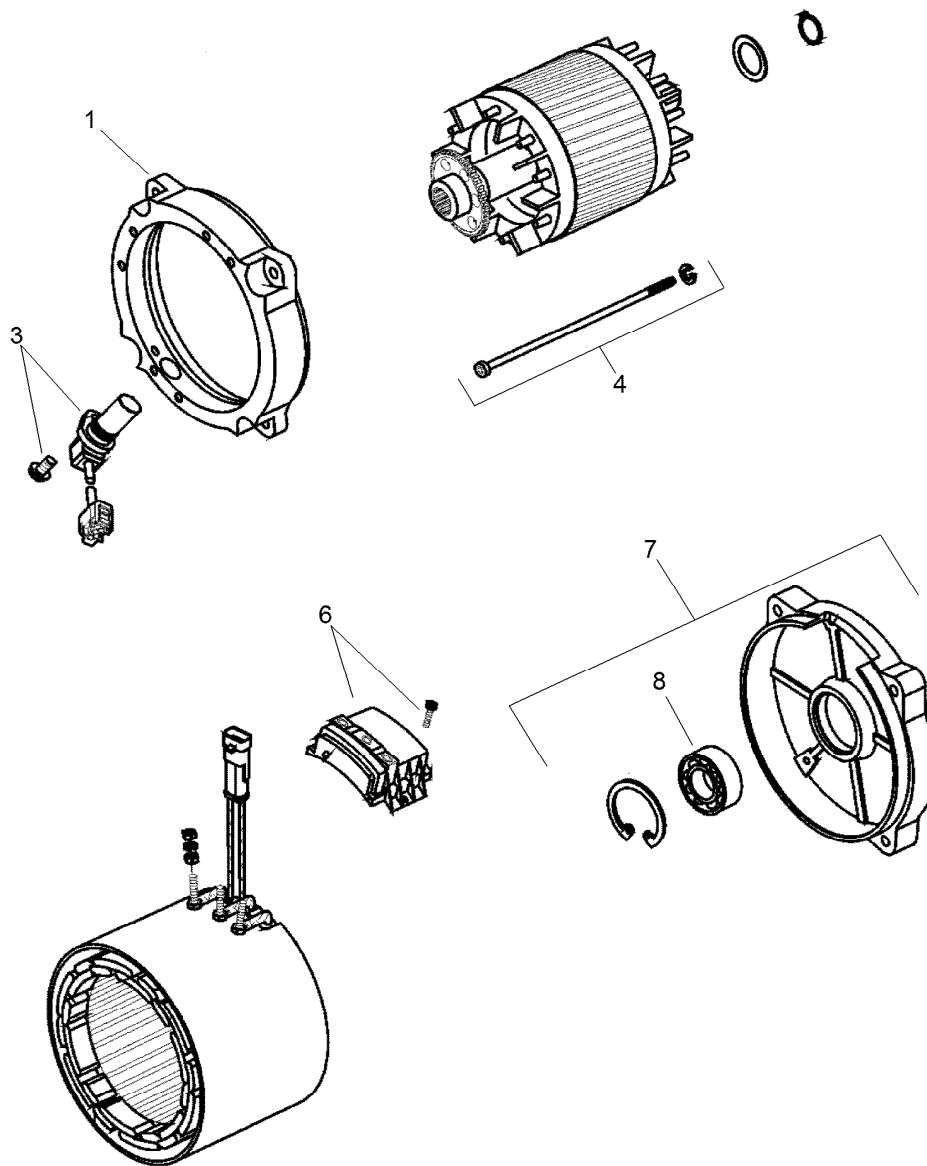
Rear Wheel and Transaxle Assembly

| Ref. | Part Number | Qty. | Description | Ref. | Part Number | Qty. | Description |
|------|-------------|------|-----------------------------|-------|-------------|------|------------------------------|
| 1 | 140-2568-03 | 1 | Gtx-E Swing Arm ASM [black] | 9:1:1 | 140-4570 | 1 | Cap-Aluminum Wheel |
| 2 | 136-6340 | 1 | Transaxle ASM | 9:2 | 120-3271 | 1 | Tire |
| 3 | 131-8570 | 2 | Spacer-Hardened | 9:3 | 232-27 | 1 | Stem-Valve |
| 4 | 140-4849 | 2 | Hub ASM, Rear | 10 | 139-3603 | 8 | Nut-Lug |
| 4:2 | 10-6830 | 4 | Stud-Type, Drive | 11 | 1-806800 | 2 | Pin-Cotter |
| 5 | 33103-030 | 6 | Screw-HHF | 12 | 127-8859 | 1 | Bellows-Breather |
| 6 | 131-8416 | 1 | Bracket-Cable | 13 | 137-6936 | 1 | Motor-AC |
| 7 | 92-5836 | 2 | Washer | 14 | 131-8482 | 1 | Retainer-Isolator |
| 8 | 32136-5 | 2 | Nut-Hex, Slotted | 15 | 131-8420 | 1 | Isolator-Clamp |
| 9 | 139-4649 | 2 | Aluminum Whl And Tire ASM | 16 | 49-2040 | 1 | Screw-HWHTF |
| 9:1 | 139-4601 | 1 | Wheel-Aluminum | 17 | 2412-146 | 1 | Clamp-Hose |
| | | | | 18 | 137-9984 | 1 | Decal-Load, Towing |
| | | | | 99 | 107-0392 | 1 | Protection-Terminal, Aerosol |



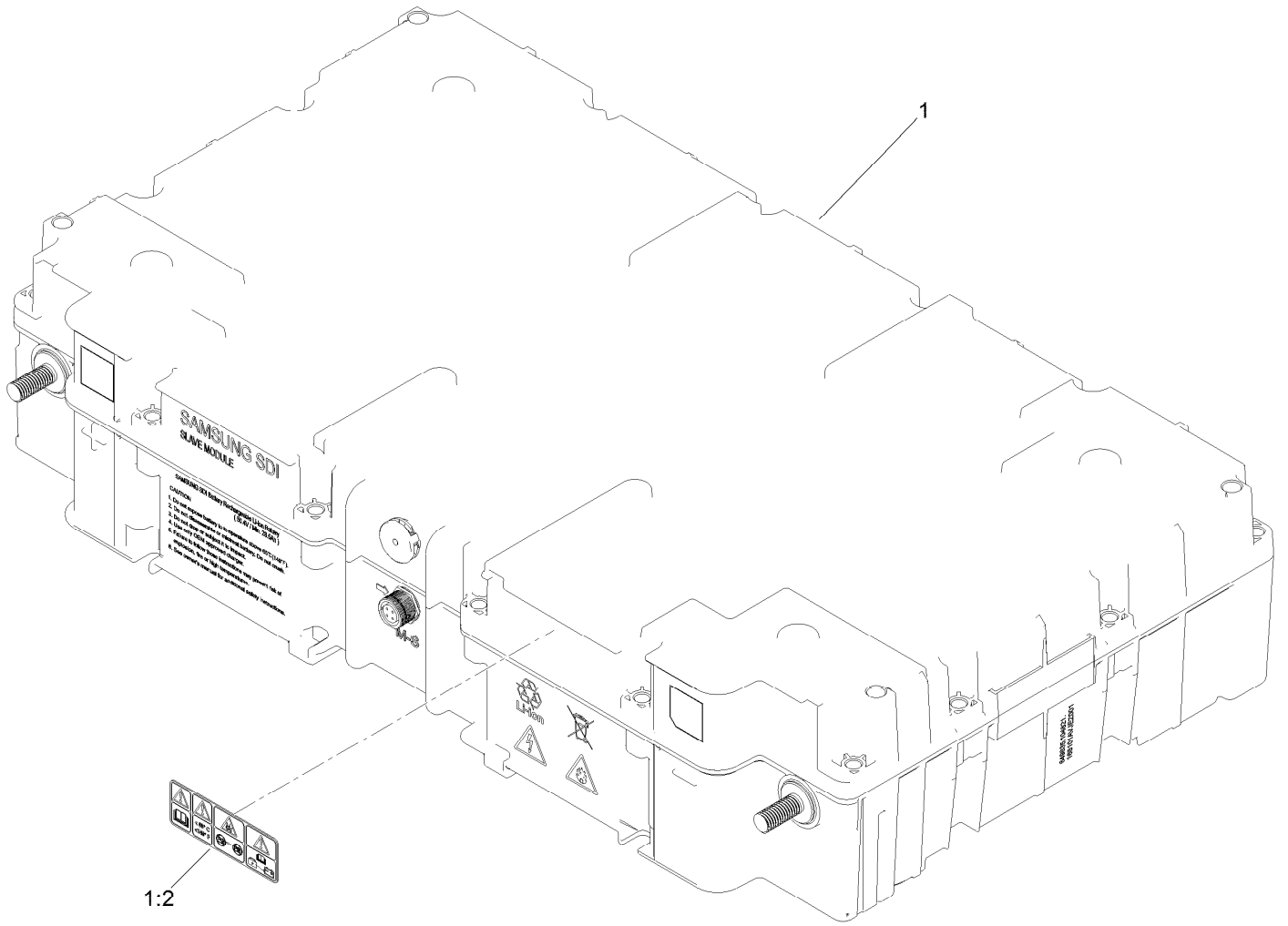
Transaxle Assembly No. 136-6340

| Ref. | Part Number | Qty. | Description | Ref. | Part Number | Qty. | Description |
|------|-------------|------|-----------------------|------|-------------|------|-------------------|
| 1 | 133-2447 | 1 | Housing-Axle | 15 | 133-2461 | 1 | Differential ASM |
| 2 | 133-2448 | 4 | Bolt-Cap, Bearing | 16 | 133-2462 | 4 | Bolt-HHF |
| 3 | 133-2485 | 1 | Gear-Input | 17 | 133-2463 | 4 | Nut-Lock |
| 4 | 133-2450 | 3 | Ring-Retaining | 18 | 133-2487 | 1 | Input Gear Kit |
| 5 | 133-2451 | 3 | O-Ring | 19 | 136-6341 | 1 | Plate-Cover |
| 6 | 133-2452 | 1 | Bearing-Ball | 20 | 133-2466 | 1 | Plug-HH |
| 7 | 133-2453 | 1 | Bearing-Ball | 21 | 133-2467 | 10 | Screw-Tapping |
| 8 | 133-2454 | 1 | Seal-Oil | 22 | 133-2468 | 1 | Elbow-Hose |
| 9 | 133-2455 | 2 | Plug-Cap, End | 23 | 133-2469 | 1 | Shaft-Axle, LH |
| 10 | 133-2456 | 2 | Bearing-Ball | 24 | 133-2470 | 1 | Shaft-Axle, RH |
| 11 | 133-2486 | 1 | Intermediate Gear ASM | 25 | 112-3140 | 2 | Seal-Oil |
| 12 | 133-2458 | 2 | O-Ring | 26 | 133-2472 | 4 | Ring-Retaining |
| 13 | 133-2459 | 1 | Gear-Drive, Final | 27 | 108-2425 | 2 | Bearing-Ball |
| 14 | 133-2460 | 2 | Bearing-Ball | 28 | 108-2409 | 1 | Internal Gear Kit |



Electric Motor Assembly No. 137-6936

| <i>Ref.</i> | <i>Part Number</i> | <i>Qty.</i> | <i>Description</i> |
|-------------|--------------------|-------------|--------------------|
| 1 | 132-4924 | 1 | Bracket-End, Drive |
| 3 | 132-4925 | 1 | Sensor |
| 4 | 132-4926 | 1 | Screw |
| 6 | 132-4927 | 1 | Plate-Connection |
| 7 | 132-4928 | 1 | Bracket-End, Rear |
| 8 | 132-4929 | 1 | Bearing |



Battery Assembly No. 04070

| Ref. | Part Number | Qty. | Description |
|------|-------------|------|-----------------------|
| 1 | | 1 | Battery Service ASM ● |
| 1:2 | 137-9712 | 1 | Decal-Safety |

● Not serviced separately

Attachments and Accessories

For 07413TC Workman GTX Lithium Utility Vehicle

| Product Name | Model/Part |
|---|-------------------|
| Hose Reel Mounting Kit | 07027 |
| Trash Can Mounting Kit | 07028 |
| Walk Spreader Mounting Kit | 07029 |
| Bed Rack Kit..... | 07031 |
| ROPS Kit | 07032 |
| Cargo Bed Kit | 07046 |
| Bench Seat Base Kit..... | 07047 |
| Bucket Seat Base Kit | 07048 |
| Cab Kit..... | 07142 |
| 48V Electric Lift Kit..... | 07143 |
| Brush Guard Kit | 07145 |
| Front Hitch Kit, Workman GTX Series Utility Vehicles with Brush Guard | 07146 |
| Front Hitch Kit, Workman GTX or MDX Series Utility Vehicles without Brush Guard | 07147 |
| Steel Flat Bed Kit | 07148 |
| Storage Box Kit..... | 07156 |
| 6in L-Track Kit..... | 07158 |
| 2in L-Track Kit..... | 07159 |
| GTX Ball Cage ROPS, Certified..... | 07161 |
| 48V 6 Foot Bed Electric Lift Kit..... | 07168 |
| Canopy W/ ROPS..... | 07169 |
| Rear Attachment Receiver, Workman GTX Series Utility Vehicle with Steel Cargo Bed | 07186 |
| Canopy Mount Kit, Workman GTX Utility Vehicle with Extended Flatbed | 07199 |
| Steel Cargo Bed Base, Workman GTX Series Utility Vehicle | 07450 |
| Steel Cargo Bed Solid Sides Kit, Workman GTX Series Utility Vehicle | 07451 |
| Workman GTX 2-Person Canopy | 07921 |
| Folding Windshield Kit, Workman GTX Utility Vehicle with Canopy | 07923 |
| Powercord-AC, Europe..... | 107-0382 |
| Powercord-AC, U.K. | 107-0383 |
| Exterior Mirror Kit..... | 130-5448 |
| Interior Mirror Kit..... | 130-5449 |
| Beacon Kit | 130-5484 |
| Work Light Kit | 130-5485 |
| Windshield Washer Fluid Kit, 2015 and after Workman MD/HD Series Utility Vehicle | 130-5615 |
| Small Seat Cover..... | 131-6690 |
| Reverse Alarm Kit..... | 131-8549 |
| Power Point Kit | 131-8550 |
| Brake and Signal Light Kit..... | 132-8579 |
| Power Converter Kit..... | 133-0959 |
| Wide Angle Mirror Kit..... | 133-1009 |
| Wide Angle Mirror Kit..... | 133-1038 |
| Horn Kit..... | 133-3017 |
| Bracket-Mount, Radio..... | 133-7111-03 |
| Mount-Ball | 133-7116 |
| Road Light and Homologation Kit | 133-7128 |
| Cab Mount Kit, Workman GTX Utility Vehicle with Extended Flatbed | 133-7198 |

Attachments and Accessories (continued)

| | |
|-------------------------------------|-------------|
| Service Hood ASM | 133-7209 |
| Door Mount Mirror Kit..... | 136-1997 |
| Small Bedrack Mount Grip Kit..... | 136-6311 |
| Large Bedrack Mount Grip Kit..... | 136-6312 |
| Glove Box Cover Kit | 137-2883 |
| Plate-Skid | 137-2887-03 |
| Ignition Switch ASM (Key1) | 138-3505 |
| Ignition Switch ASM (Key2) | 138-3506 |
| Ignition Switch ASM (Key3) | 138-3507 |
| Ignition Switch ASM (Key4) | 138-3508 |
| Ignition Switch ASM (Key5) | 138-3509 |
| Wireless Hourmeter Finish Kit | 139-4627 |



Count on it.