



Count on it.

Parts Catalog

Titan® X5450

Riding Mower

Model No. 74877—Serial No. 40000000 and Up



Ordering Replacement Parts

To order replacement parts, please supply the part number, the quantity, and the description of each part desired.

Understanding Reference Numbers

Each identified part in an illustration has a reference number. The reference number for a part also appears in the parts list, along with other information about the part.

This catalog uses two special reference number formats, one to indicate parts in a service assembly and another to indicate the quantity of a given part in an illustration.

Service Assembly Reference Numbers

Parts in service assemblies have reference numbers in the form a:b. The a represents the reference number of the entire service assembly and the b represents a sequential number unique to each part within the service assembly.

For example, a wheel assembly might be identified by reference number 6, the tire by 6:1, the valve by 6:2, and the wheel by 6:3. When you order the assembly identified by reference number 6, you receive all parts identified by reference numbers 6:1, 6:2, and 6:3. However, you may also order any part individually. Reference numbers of this type appear in illustration and in parts lists.

Reference Numbers Indicating Quantity

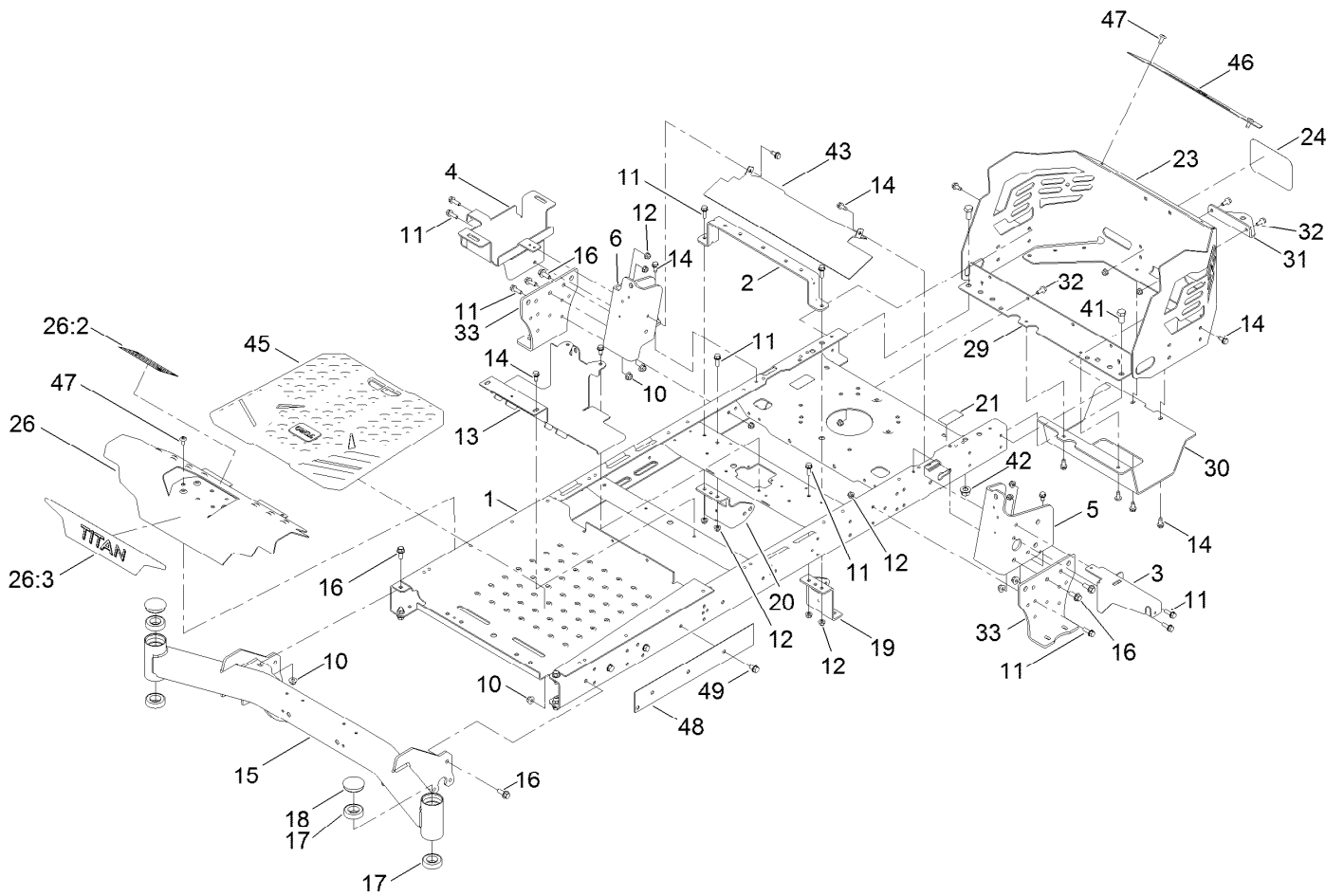
In an illustration, if a reference number indicates more than one part, the reference number has the form nX y. The n represents the quantity of the part, the X is the multiplication symbol, and the y represents the reference number.

For example, in an illustration, the reference number 2X 37 means that two of the parts identified by reference number 37 are indicated.

Contents

Frame Assembly	4
Deck Lift Assembly	6
Tire and Caster Assembly	8
Traction Drive Assembly	10
LH Transaxle Assembly No. 139-7500	12
RH Transaxle Assembly No. 139-7501	14
Brake Assembly	16
Tire Assembly	18
Seat Pan Assembly	20
Seat Assembly No. 140-2714	22
Motion Control Assembly	24
Engine and Muffler Assembly	26
Fuel System Assembly	28
Carburetor Assembly	30
Air Intake and Filtration Assembly	32
Ignition and Cooling Fan	34
Crankcase and Crankshaft Assembly	36
Governor Control Assembly	38
Piston and Cylinder Head Assembly	40
Blower Housing Assembly	42
Gasket and Seal Kit	44
Body Styling and Fuel Tank Assembly	46
Fuel Tank Assembly No. 133-4484	48
Electrical Assembly	50
54 Inch Deck Assembly	52
Model Specific Decal Assembly	54
Frame Decal Assembly	56
Clutch Assembly	58
Attachments and Accessories	60

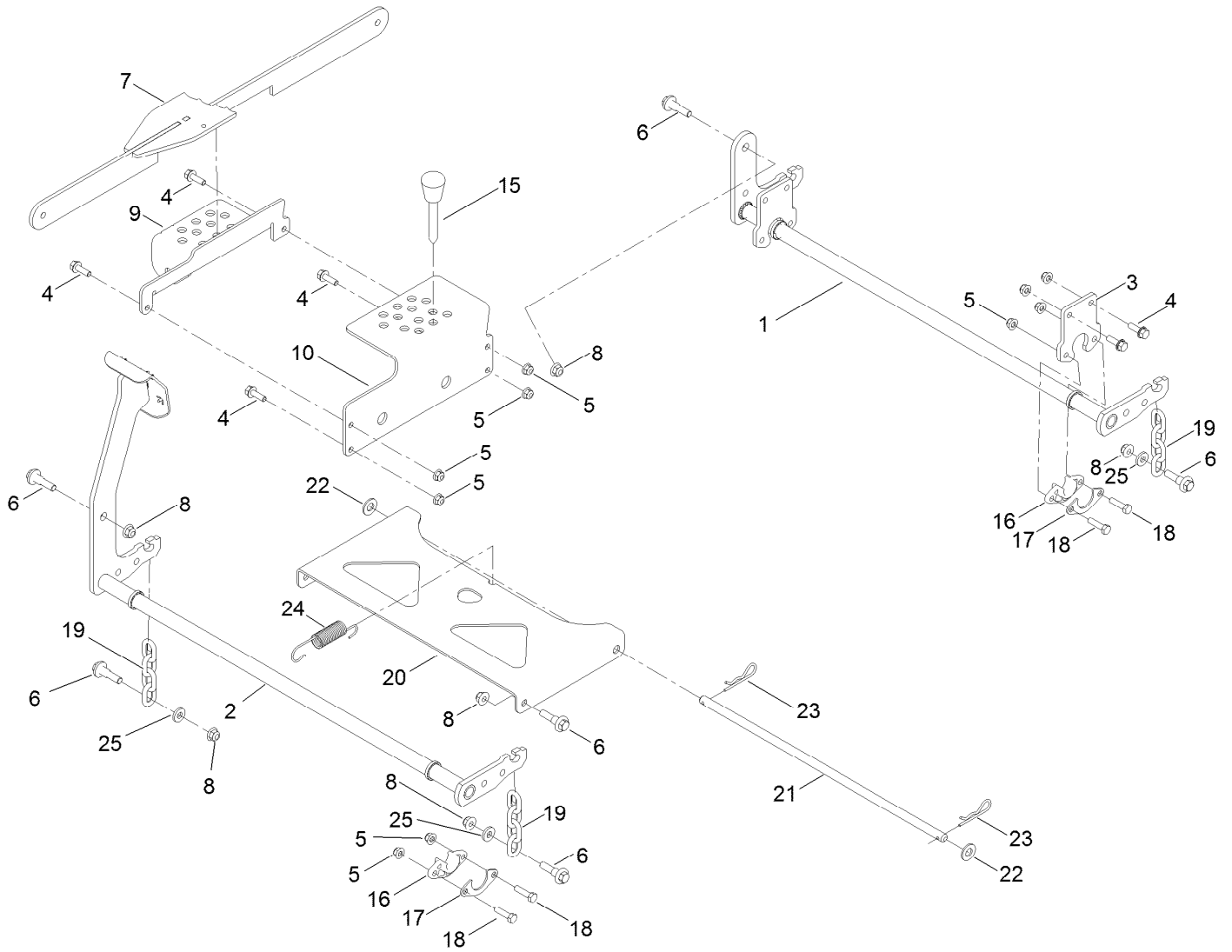
Frame Assembly



Frame Assembly (continued)

<i>Ref.</i>	<i>Part Number</i>	<i>Qty.</i>	<i>Description</i>	<i>Ref.</i>	<i>Part Number</i>	<i>Qty.</i>	<i>Description</i>
1	133-1191-01	1	Frame ASM	23	140-1031-03	1	Guard-Engine
2	135-0687-03	1	Brace-Seat, Rear (Wide)	24	99-4693	1	Decal
3	133-7051-03	1	Bracket-Support, Pod (LH)	26	140-3485	1	Footrest-Titan
4	139-3570	1	Tray-Battery	26:2	140-3451	1	Decal-Danger
5	137-5068-01	1	Bracket-Mounting, LH	26:3	139-7469	1	Decal-Titan
6	137-5069-01	1	Bracket-Mounting, RH	29	137-7016-01	1	Crossmember-Rear, Wide
10	119-4042	10	Nut-HF, NI	30	133-4429-03	1	Guard-Muffler
11	139-2596	16	Screw-HHF	31	117-1232-03	1	Bracket-Hitch
12	119-4041	22	Nut-HF	32	139-2598	6	Screw-HHF
13	133-4485-03	1	Bracket-Mount	33	133-1201-03	2	Mount-Hydro
14	32144-70	22	Screw-HWHTF	41	139-2628	2	Screw-HH
15	139-5839-01	1	Front Axle ASM	42	139-1689	2	Nut-HF
16	139-2597	10	Screw-HHF	43	136-9183-03	1	Shield
17	109-3678	4	Bearing-Ball	45	139-7487	1	Floor Mat
18	138-7200	2	Cap-Grease	46	140-1032-01	1	Trim-Guard, Engine
19	139-3211-01	1	Mount-Hydro, Front (Left)	47	138-9753	4	Screw
20	137-7020-01	1	Mount-Hydro, Front (Right)	48	140-0366-01	1	Plate-Frame
21	121-2989	2	Decal-Bypass	49	32144-69	3	Screw-HWHTF

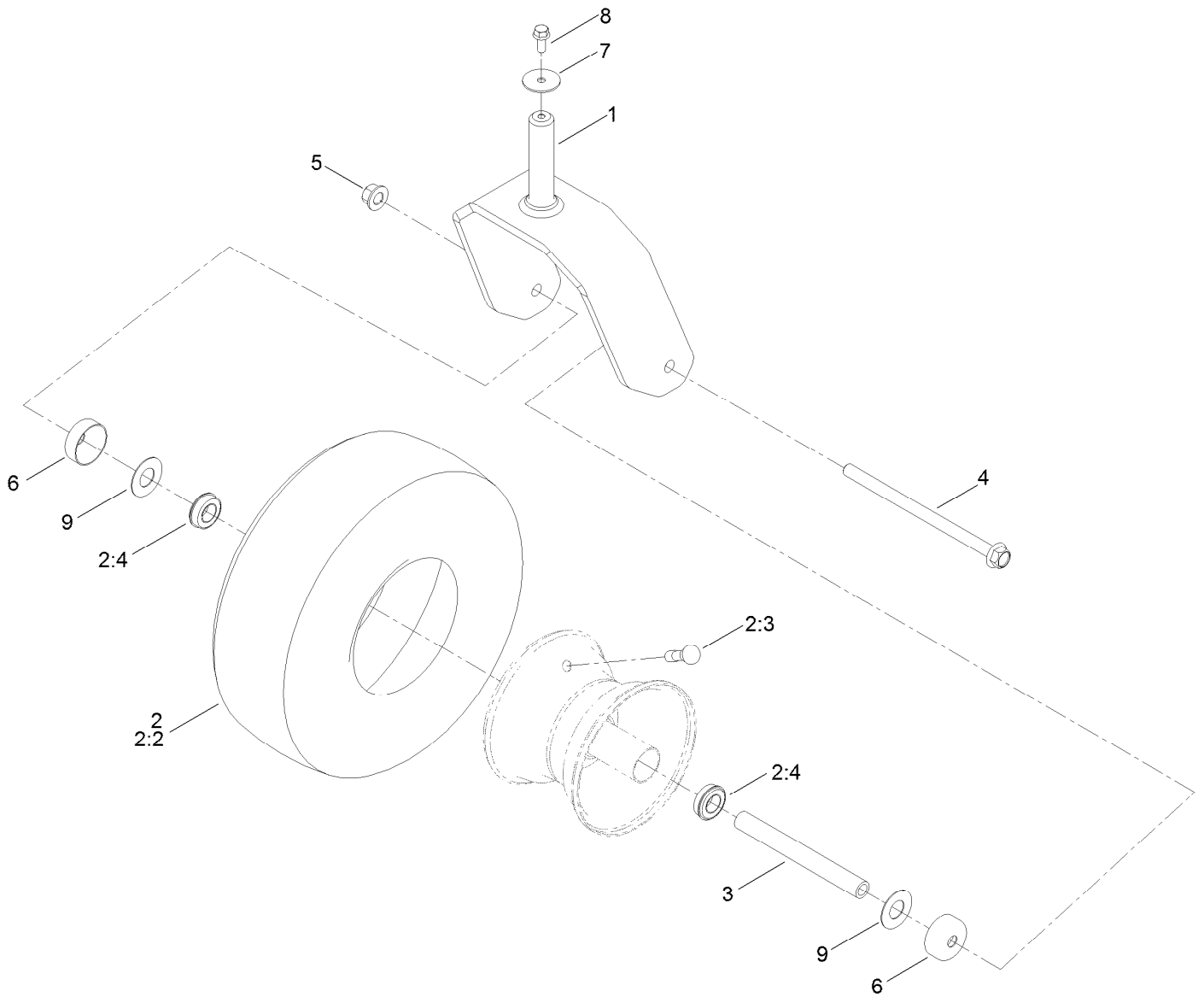
Deck Lift Assembly



Deck Lift Assembly (continued)

<i>Ref.</i>	<i>Part Number</i>	<i>Qty.</i>	<i>Description</i>	<i>Ref.</i>	<i>Part Number</i>	<i>Qty.</i>	<i>Description</i>
1	137-2020-03	1	Pivot-Rear	16	139-5872	4	Bearing-Flange
2	133-4430-03	1	Pivot-Front	17	138-7204	4	Gusset-Deck Lift
3	137-2021-03	2	Plate	18	120-9696	8	Screw-HH
4	139-2596	8	Screw-HHF	19	138-7205	4	Chain-Decklift, 4-Link
5	119-4041	16	Nut-HF	20	133-4311-01	1	Pan-Pivot, Deck
6	130-0742	8	Bolt-Shoulder	21	133-7071	1	Rod-Pivot, Deck
7	139-3553-03	1	Lift Link ASM	22	139-2611	2	Washer-Flat
8	119-4042	8	Nut-HF, NI	23	139-2562	2	Pin-Hair
9	139-3557-03	1	Plate-HOC, Lower	24	138-7206	1	Spring-Extension
10	139-3556-03	1	Plate-HOC, Upper	25	138-7207	4	Spacer-Hub, Blower
15	140-2146	1	HOC Pin ASM				

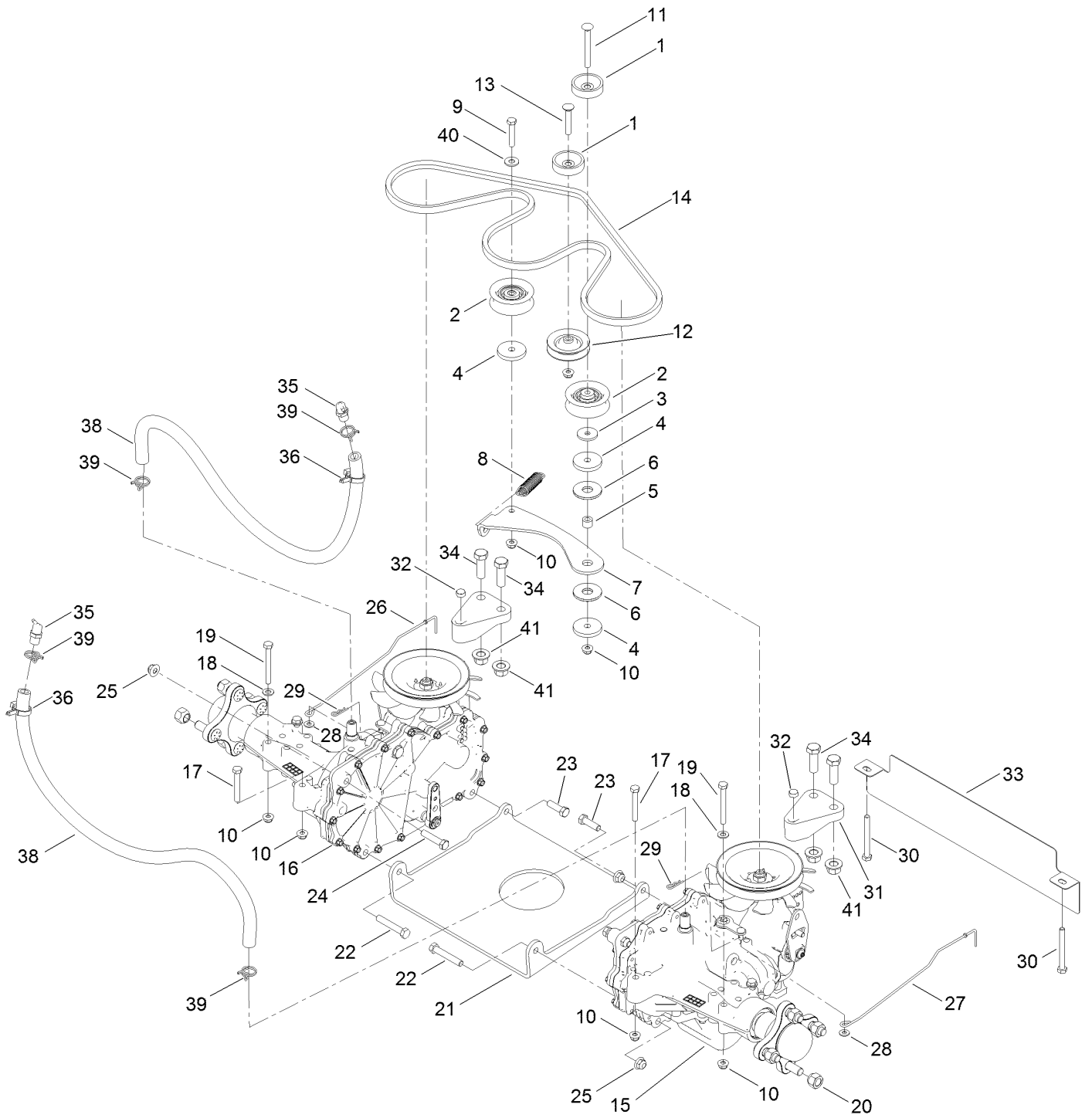
Tire and Caster Assembly



Tire and Caster Assembly (continued)

<i>Ref.</i>	<i>Part Number</i>	<i>Qty.</i>	<i>Description</i>	<i>Ref.</i>	<i>Part Number</i>	<i>Qty.</i>	<i>Description</i>
1	139-7537-01	2	Fork-Caster	4	139-2559	2	Screw-HHF
2	139-7532	2	Tire And Wheel ASM	5	139-1689	2	Nut-HF
2:2	126-5959	1	Tire	6	138-7208	4	Guard-Seal
2:3	232-27	1	Stem-Valve	7	115-1151	2	Washer-Flat
2:4	136-4190	2	Bearing	8	139-2598	2	Screw-HHF
3	133-4487	2	Spanner-Wheel	9	136-5590	4	Washer

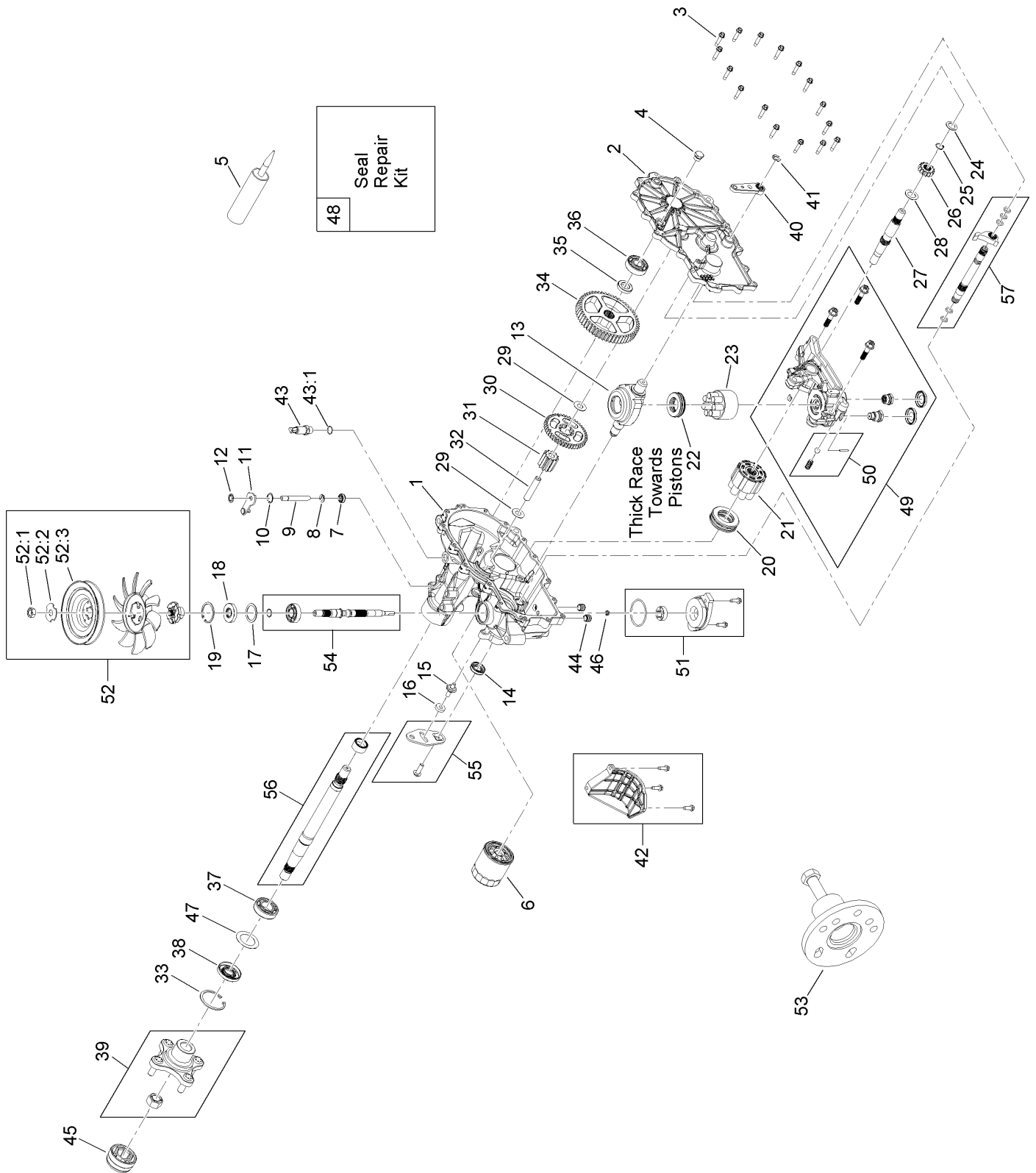
Traction Drive Assembly



Traction Drive Assembly (continued)

<i>Ref.</i>	<i>Part Number</i>	<i>Qty.</i>	<i>Description</i>	<i>Ref.</i>	<i>Part Number</i>	<i>Qty.</i>	<i>Description</i>
1	119-3353	2	Spacer	20	139-2564	8	Nut-Lug
2	138-7597	2	Pulley-Idler, Flat	21	130-0718-01	1	Plate-Cross, Hydro
3	139-1704	1	Washer-Flat	22	139-2589	2	Screw-HH
4	139-5802	3	Washer-Plain	23	139-2601	2	Screw-HH
5	138-7209	1	Bushing	24	139-2602	2	Screw-HH
6	114-0463	2	Washer-Friction, Composite	25	119-4042	6	Nut-HF, NI
7	133-4423	1	Arm-Idler	26	139-5855	1	Rod-Bypass, RH
8	137-7040	1	Spring-Return, Pedal	27	139-5854	1	Rod-Bypass, LH
9	139-1719	1	Screw-HH	28	120-9679	2	Washer-Flat
10	119-4041	9	Nut-HF	29	137-3083	2	Pin-Hair
11	119-9784	1	Screw-CARR	30	139-2584	2	Screw-HH
12	119-8822	1	Pulley-Idler	31	133-1247	2	Support-Hydro, Rear
13	139-2625	1	Screw-CARR	32	119-4038	2	Nut-Hex
14	133-4371	1	V-Belt	33	131-1098-03	1	Guard-Rear, Wide
15	139-7500	1	LH Hydro Transmission ASM	34	139-2631	4	Screw-HH
16	139-7501	1	RH Hydro Transmission ASM	35	136-4183	2	Breather Kit
17	120-9738	2	Screw-HH	36	105-1853	2	Clamp-Hose
18	120-9683	6	Washer-Plain	38	136-4182	2	Hose-Hydro
19	139-2583	4	Screw-HH	39	138-7211	4	Clamp-Hose
				40	139-1723	1	Washer-Flat
				41	139-1689	4	Nut-HF

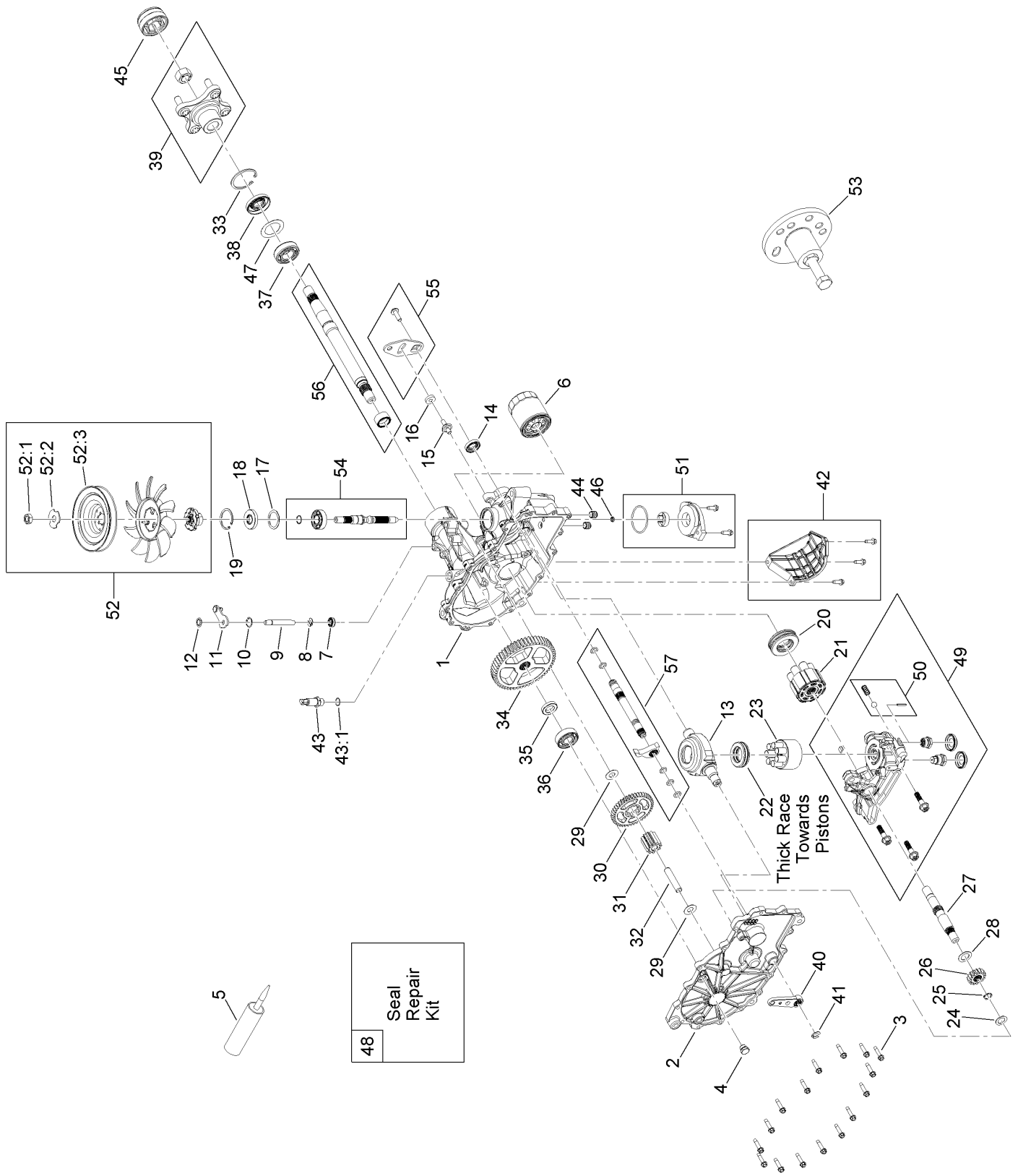
LH Transaxle Assembly No. 139-7500



LH Transaxle Assembly No. 139-7500 (continued)

<i>Ref.</i>	<i>Part Number</i>	<i>Qty.</i>	<i>Description</i>	<i>Ref.</i>	<i>Part Number</i>	<i>Qty.</i>	<i>Description</i>
1	114-1676	1	Main Housing Kit	32	104-5329	1	Pin-Jackshaft
2	132-0939	1	RH Side Cover Kit	33	104-2169	1	Ring-Retaining
3	117-5359	16	Screw-HHF	34	114-1694	1	Gear-54T
4	135-1140	1	Plug-Straight	35	120-7975	1	Spacer
5	104-2147	1	Sealant	36	137-2004	1	Bearing Kit
6	109-3321	1	Element-Oil Filter, HYD	37	120-7976	1	Bearing-Ball
7	139-7497	1	Seal-Lip	38	104-2144	1	Seal
8	106-8677	1	Ring-Retaining, External	39	109-5939	1	Hub Kit
9	114-1685	1	Rod-Bypass	40	125-0021	1	Handle-Brake
10	106-8679	1	Ring-Retaining, Internal	41	131-0906	1	Ring-Retaining, EXT
11	112-9852	1	Arm-Bypass	42	139-7499	1	Filter Guard Kit
12	106-8681	1	Ring-Retaining, External	43	109-3278	1	Adapter-Straight
13	104-5304	1	Swashplate-Trunnion	43:1	237-42	1	O-Ring
14	104-5313	1	Seal-Lip	44	126-3251	2	Tube-Charge
15	104-2116	1	Stud	45	115-5057	1	Cover-Nut, Axle
16	112-9853	1	Puck-Friction	46	130-8486	1	Seal-Gerotor
17	104-5308	1	Spacer	47	121-5745	1	Spacer
18	104-5310	1	Seal-Lip	48	109-3537	1	Seal Kit
19	104-5309	1	Ring-Retaining	49	137-2005	1	RH Charge Center Section Kit
20	112-4154	1	Bearing-Thrust	50	114-8464	1	Charge Relief Kit
21	139-4074	1	Cylinder Block ASM Kit	51	114-8465	1	Charge Kit
22	94-6922	1	Bearing-Thrust	52	135-7343	1	Fan And Pulley Kit
23	110-8561	1	Pump Block ASM	52:1	116-9714	1	Nut-HJ
24	104-5339	1	Washer-Flat	52:2	116-9708	1	Washer-Slotted
25	104-5340	1	Ring-Retaining	52:3	135-7365	1	Pulley-5.34
26	114-1690	1	Gear-14T	53	114-8467	1	Puller-Hub, 4 Bolt
27	114-1691	1	Shaft-Motor	54	139-7502	1	Input Shaft Kit
28	104-5360	1	Washer	55	117-5362	1	Control Arm Kit
29	94-1933	2	Washer	56	114-8470	1	Axle Shaft Kit
30	114-1692	1	Gear-45T	57	137-2007	1	Brake Shaft Kit
31	114-1693	1	Gear-11T				

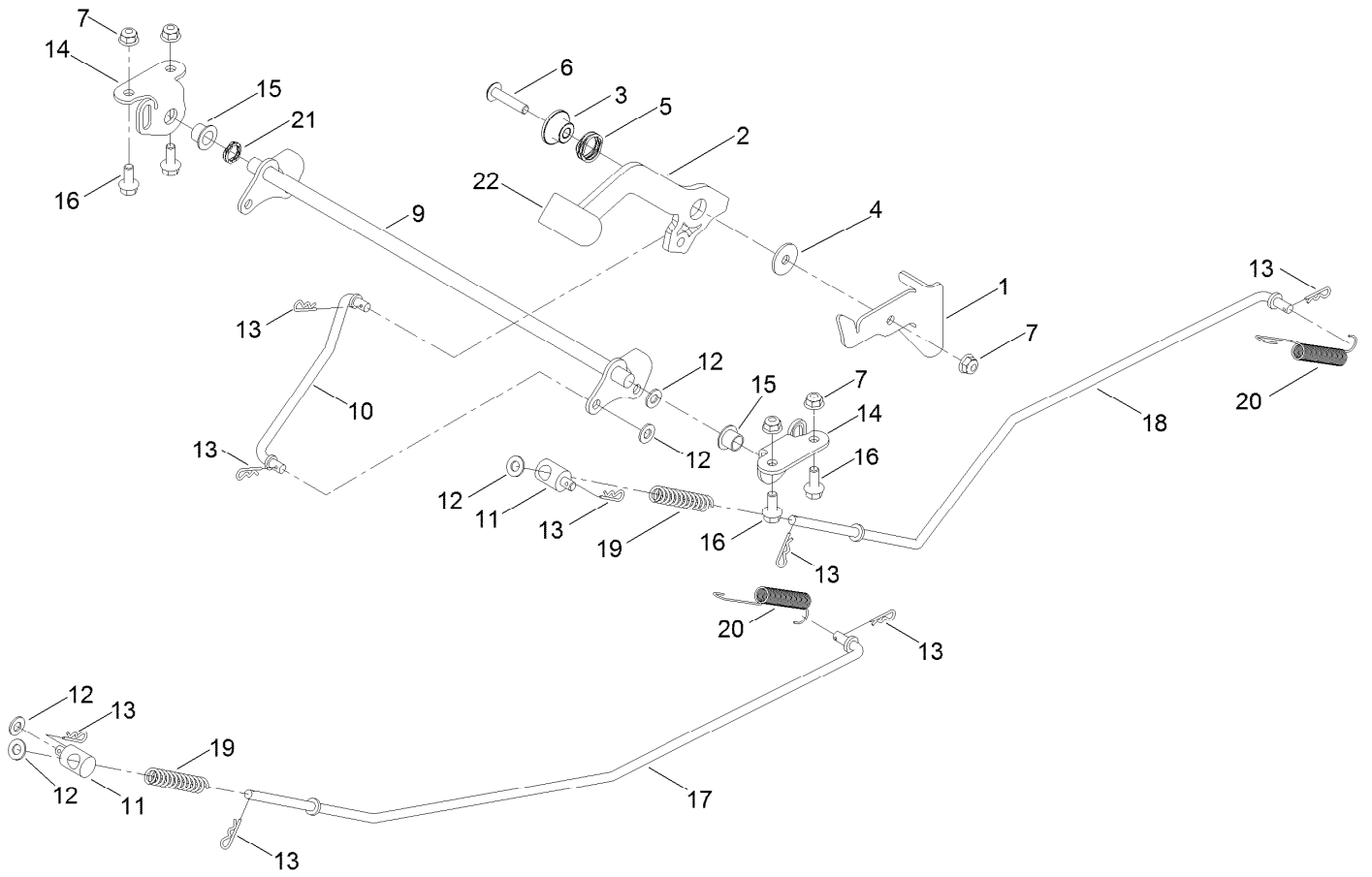
RH Transaxle Assembly No. 139-7501



RH Transaxle Assembly No. 139-7501 (continued)

<i>Ref.</i>	<i>Part Number</i>	<i>Qty.</i>	<i>Description</i>	<i>Ref.</i>	<i>Part Number</i>	<i>Qty.</i>	<i>Description</i>
1	114-8471	1	LH Main Housing Kit	32	104-5329	1	Pin-Jackshaft
2	132-0938	1	LH Side Cover Kit	33	104-2169	1	Ring-Retaining
3	117-5359	16	Screw-HHF	34	114-1694	1	Gear-54T
4	135-1140	1	Plug-Straight	35	120-7975	1	Spacer
5	104-2147	1	Sealant	36	137-2004	1	Bearing Kit
6	109-3321	1	Element-Oil Filter, HYD	37	120-7976	1	Bearing-Ball
7	139-7497	1	Seal-Lip	38	104-2144	1	Seal
8	106-8677	1	Ring-Retaining, External	39	109-5939	1	Hub Kit
9	114-1685	1	Rod-Bypass	40	125-0021	1	Handle-Brake
10	106-8679	1	Ring-Retaining, Internal	41	131-0906	1	Ring-Retaining, EXT
11	107-2490	1	Arm-Bypass	42	139-7498	1	Filter Guard Kit
12	106-8681	1	Ring-Retaining, External	43	109-3278	1	Adapter-Straight
13	104-5304	1	Swashplate-Trunnion	43:1	237-42	1	O-Ring
14	104-5313	1	Seal-Lip	44	126-3251	2	Tube-Charge
15	104-2116	1	Stud	45	115-5057	1	Cover-Nut, Axle
16	112-9853	1	Puck-Friction	46	130-8486	1	Seal-Gerotor
17	104-5308	1	Spacer	47	121-5745	1	Spacer
18	104-5310	1	Seal-Lip	48	109-3537	1	Seal Kit
19	104-5309	1	Ring-Retaining	49	137-2012	1	LH Charge Center Section Kit
20	112-4154	1	Bearing-Thrust	50	114-8464	1	Charge Relief Kit
21	139-4074	1	Cylinder Block ASM Kit	51	114-8465	1	Charge Kit
22	94-6922	1	Bearing-Thrust	52	135-7343	1	Fan And Pulley Kit
23	110-8561	1	Pump Block ASM	52:1	116-9714	1	Nut-HJ
24	104-5339	1	Washer-Flat	52:2	116-9708	1	Washer-Slotted
25	104-5340	1	Ring-Retaining	52:3	135-7365	1	Pulley-5.34
26	114-1690	1	Gear-14T	53	114-8467	1	Puller-Hub, 4 Bolt
27	114-1691	1	Shaft-Motor	54	139-7502	1	Input Shaft Kit
28	104-5360	1	Washer	55	117-5362	1	Control Arm Kit
29	94-1933	2	Washer	56	114-8470	1	Axle Shaft Kit
30	114-1692	1	Gear-45T	57	137-2013	1	Brake Shaft Kit
31	114-1693	1	Gear-11T				

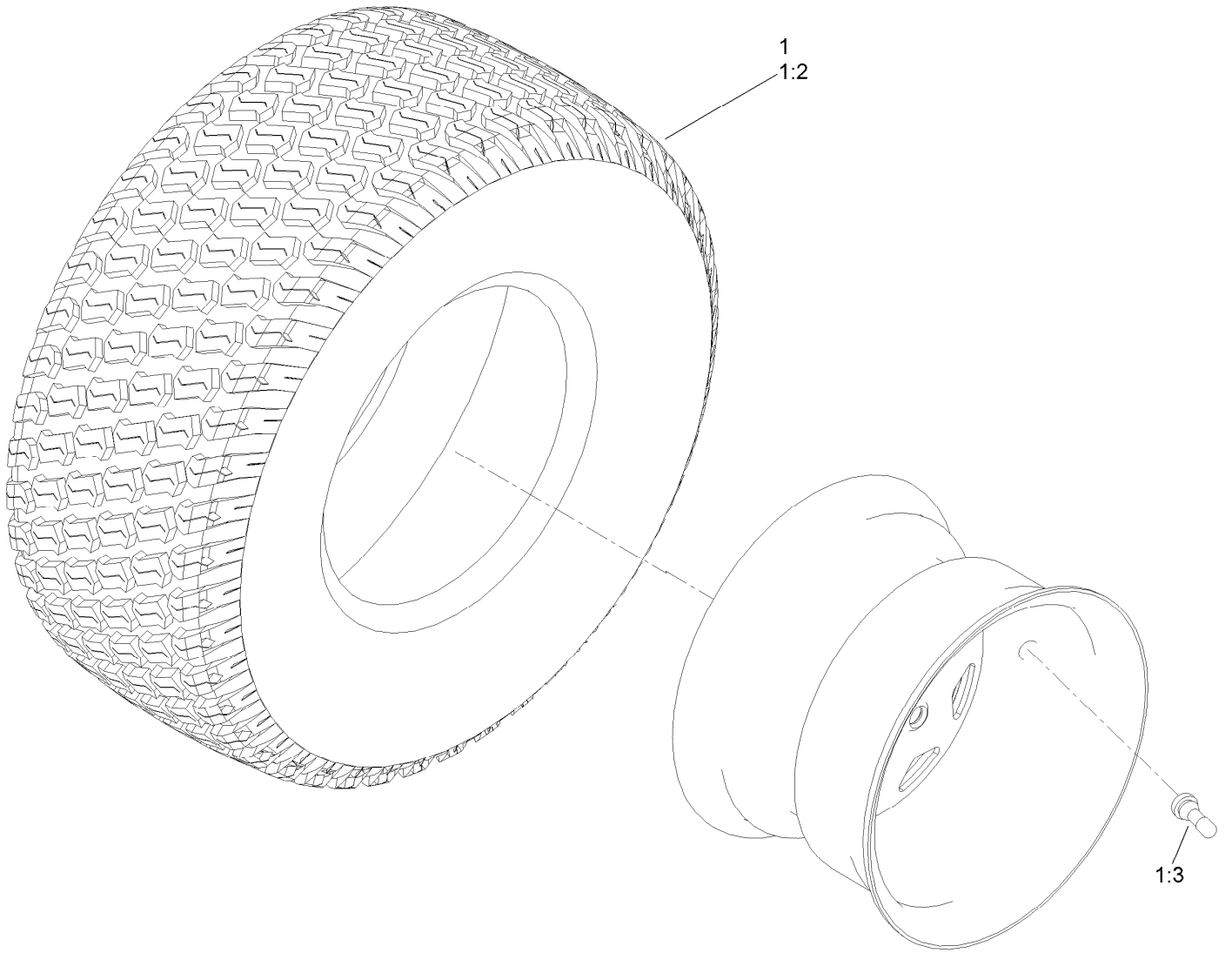
Brake Assembly



Brake Assembly (continued)

<i>Ref.</i>	<i>Part Number</i>	<i>Qty.</i>	<i>Description</i>	<i>Ref.</i>	<i>Part Number</i>	<i>Qty.</i>	<i>Description</i>
1	136-5554	1	Detent-Brake	13	137-3083	8	Pin-Hair
2	140-0412	1	Handle-Brake, Parking	14	139-5878-03	2	Plate-Support, Bellcrank
3	139-3572	1	Bushing-Flange	15	125-5239	2	Bushing-Flange
4	5-4460	1	Washer-Pivot	16	139-2598	4	Screw-HHF
5	120-5116	1	Washer-Wave	17	133-9343	1	Rod-Brake, RH
6	126-7439	1	Screw-Torx	18	133-9344	1	Rod-Brake, LH
7	119-4041	5	Nut-HF	19	138-7252	2	Spring-Compression
9	133-9338	1	Bellcrank-Brake	20	110769	2	Spring-Extension
10	133-9342	1	Rod-Brake, Intermediate	21	137-5011	1	Spring-Wave
11	138-7212	2	Fitting-Rod	22	140-0413	1	Grip-Handle
12	120-9683	5	Washer-Plain				

Tire Assembly



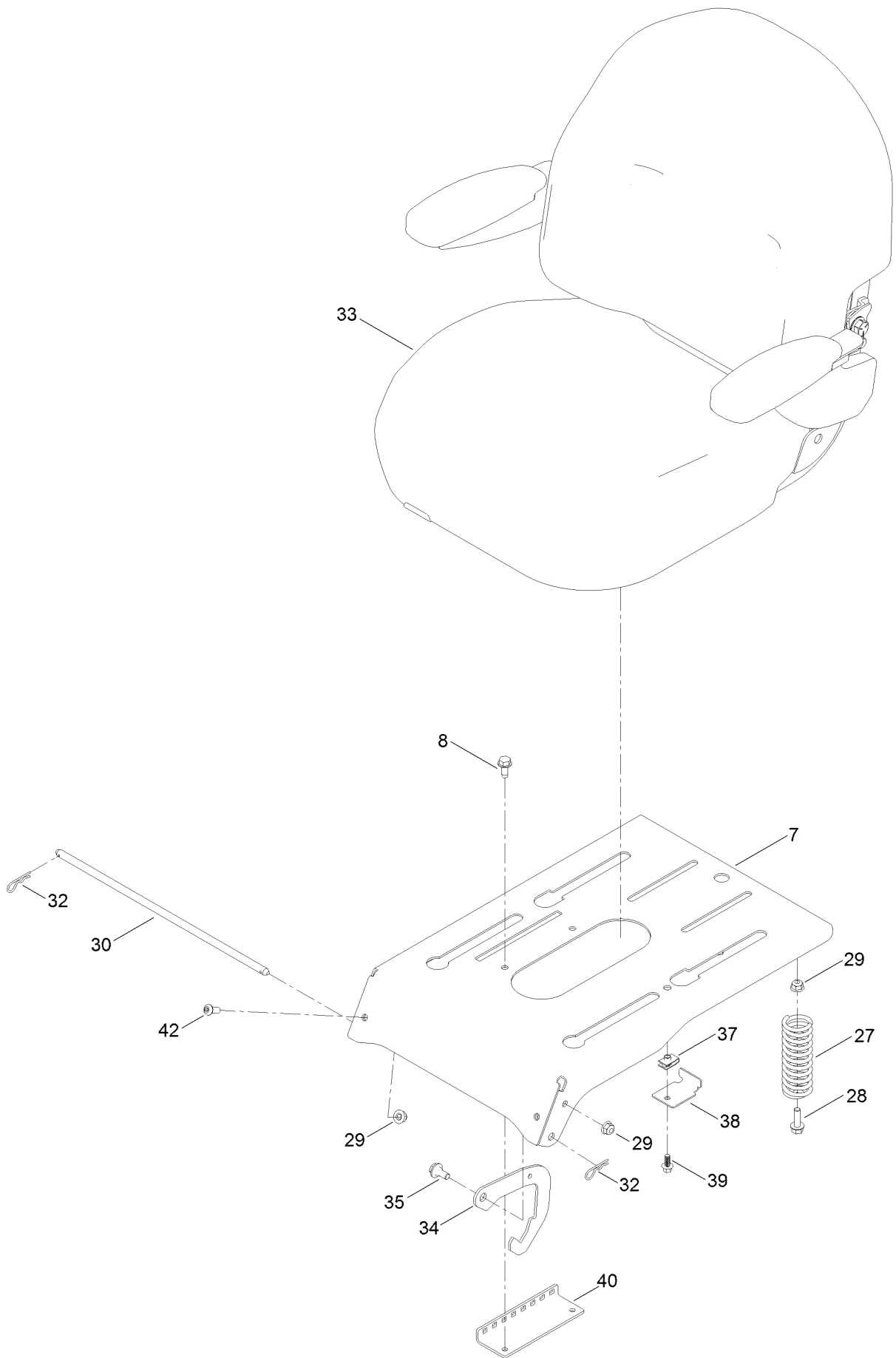
Tire Assembly (continued)

<i>Ref.</i>	<i>Part Number</i>	<i>Qty.</i>	<i>Description</i>	<i>Ref.</i>	<i>Part Number</i>	<i>Qty.</i>	<i>Description</i>
1	139-7534	2	Tire And Wheel ASM	1:3	232-27	1	Stem-Valve
1:2	139-7536	1	Tire	1:99	105-4070	1	Tube-Inner ■●

● Not illustrated

■ Optional Equipment

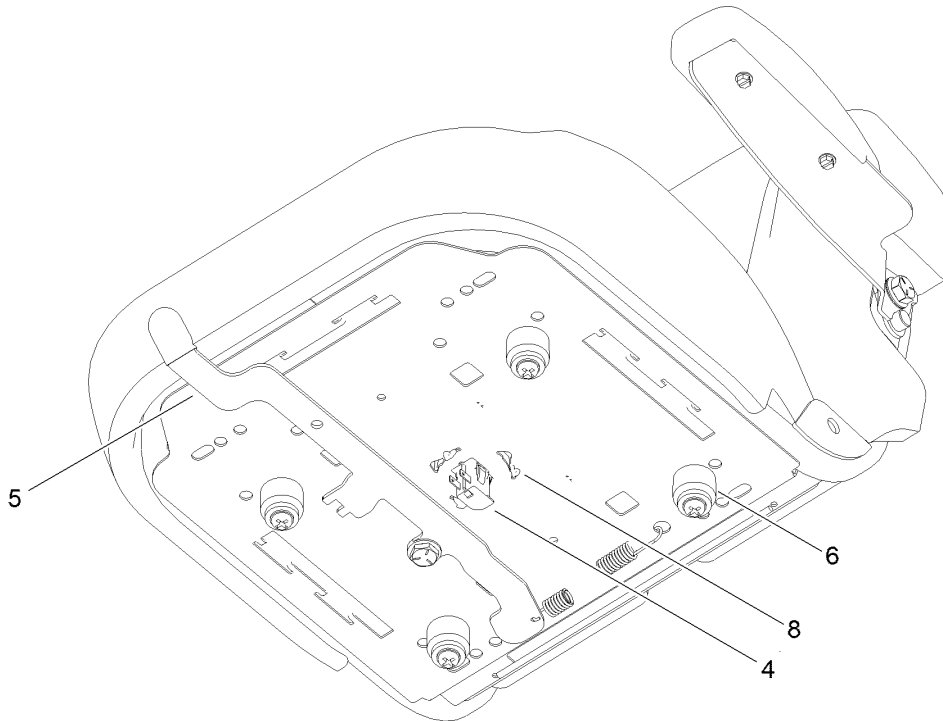
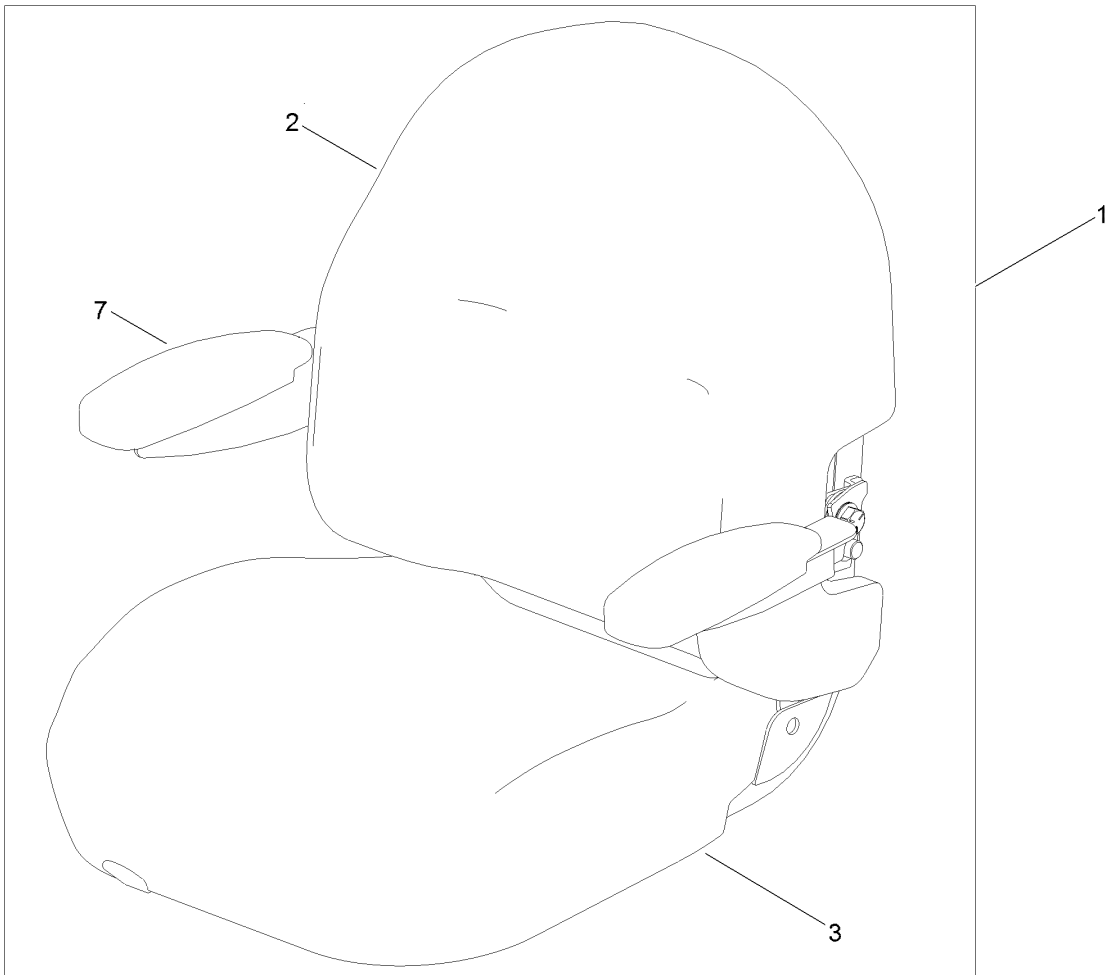
Seat Pan Assembly



Seat Pan Assembly (continued)

<i>Ref.</i>	<i>Part Number</i>	<i>Qty.</i>	<i>Description</i>	<i>Ref.</i>	<i>Part Number</i>	<i>Qty.</i>	<i>Description</i>
7	136-5571-03	1	Pan-Seat, Deluxe	34	138-7250	2	Seat Latch
8	32144-70	2	Screw-HWHTF	35	19-1470	2	Screw-Shoulder
27	92-7054	3	Spring-Compression	37	107069	1	Clip
28	139-2596	3	Screw-HHF	38	138-7214	1	Bracket-Stop, Seat
29	119-4041	7	Nut-HF	39	137-3111	1	Screw-HHF
30	138-7213	1	Rod-Pivot, Narrow	40	131-4008-03	1	Bracket-Latch, Seat
32	3290-250	2	Pin-Cotter	42	3274-55	2	Screw-HSBH
33	140-2714	1	Seat ASM				

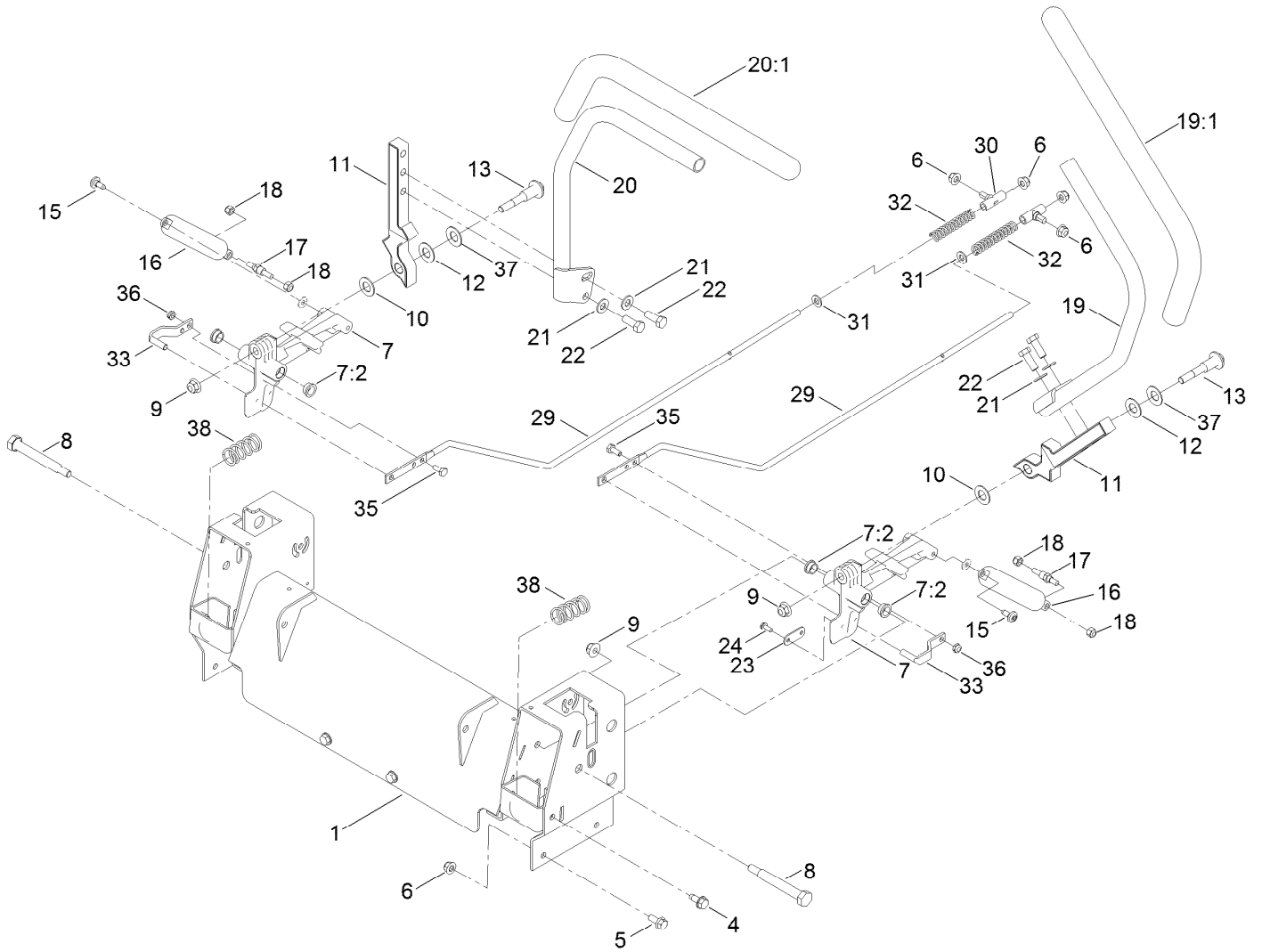
Seat Assembly No. 140-2714



Seat Assembly No. 140-2714 (continued)

<i>Ref.</i>	<i>Part Number</i>	<i>Qty.</i>	<i>Description</i>	<i>Ref.</i>	<i>Part Number</i>	<i>Qty.</i>	<i>Description</i>
1	139-7548	1	Seat ASM	5	131-4153	1	Track ASM
2	140-2077	1	Cover-Seat Back	6	131-4154	1	Bushing ASM
3	140-2078	1	Cover-Seat Base	7	139-5823	1	Arm Rest Kit
4	82-2190	1	Switch-Bail	8	140-3468	1	Cap-Switch, Actuator

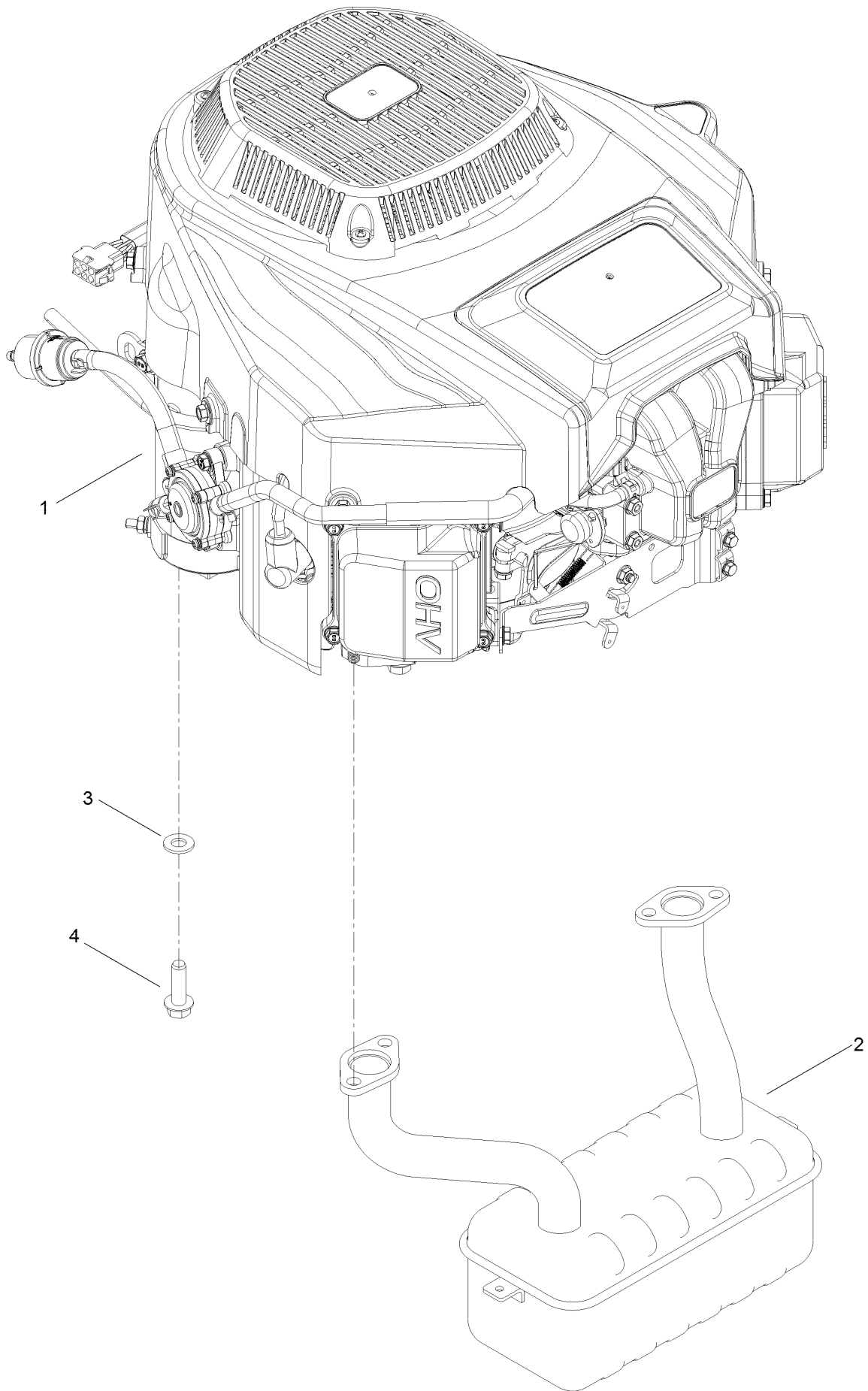
Motion Control Assembly



Motion Control Assembly (continued)

<i>Ref.</i>	<i>Part Number</i>	<i>Qty.</i>	<i>Description</i>	<i>Ref.</i>	<i>Part Number</i>	<i>Qty.</i>	<i>Description</i>
1	139-7531-03	1	Control Box ASM	19:1	121-0726	1	Grip
4	32144-70	4	Screw-HWHTF	20	133-7057	1	Handle-Control, RH
5	139-2598	6	Screw-HHF	20:1	121-0726	1	Grip
6	119-4041	10	Nut-HF	21	115-1166	4	Washer-Flat
7	119-3470	2	Actuator Arm ASM	22	139-2600	4	Screw-HH
7:2	256-156	2	Bushing-Flange	23	140-3458	2	Plate-Stop,Hydro
8	115-5099	2	Bolt-Pivot	24	139-1713	4	Screw-Taptite
9	119-4042	4	Nut-HF, NI	29	138-7217	2	Rod-Hydro
10	120-2273	2	Washer-Nylon	30	138-7218	2	Mount-Rod, Hydro
11	136-5570-05	2	Arm-Control	31	120-9683	2	Washer-Plain
12	117-1240	2	Washer	32	138-7252	2	Spring-Compression
13	139-2556	2	Bolt-Pivot	33	121-1753	2	Pin-Rod, Hydro
15	120-7950	2	Screw-Torx	35	137-3041	2	Screw-HH
16	132-6853	2	Damper-Non Cavitating	36	137-3091	2	Nut-Hex
17	138-7215	2	Stud-Damper	37	119-8925	2	Washer-Belleville
18	137-3088	4	Nut-Hex	38	138-7219	2	Spring-Return
19	133-7055	1	Handle-Control, LH				

Engine and Muffler Assembly

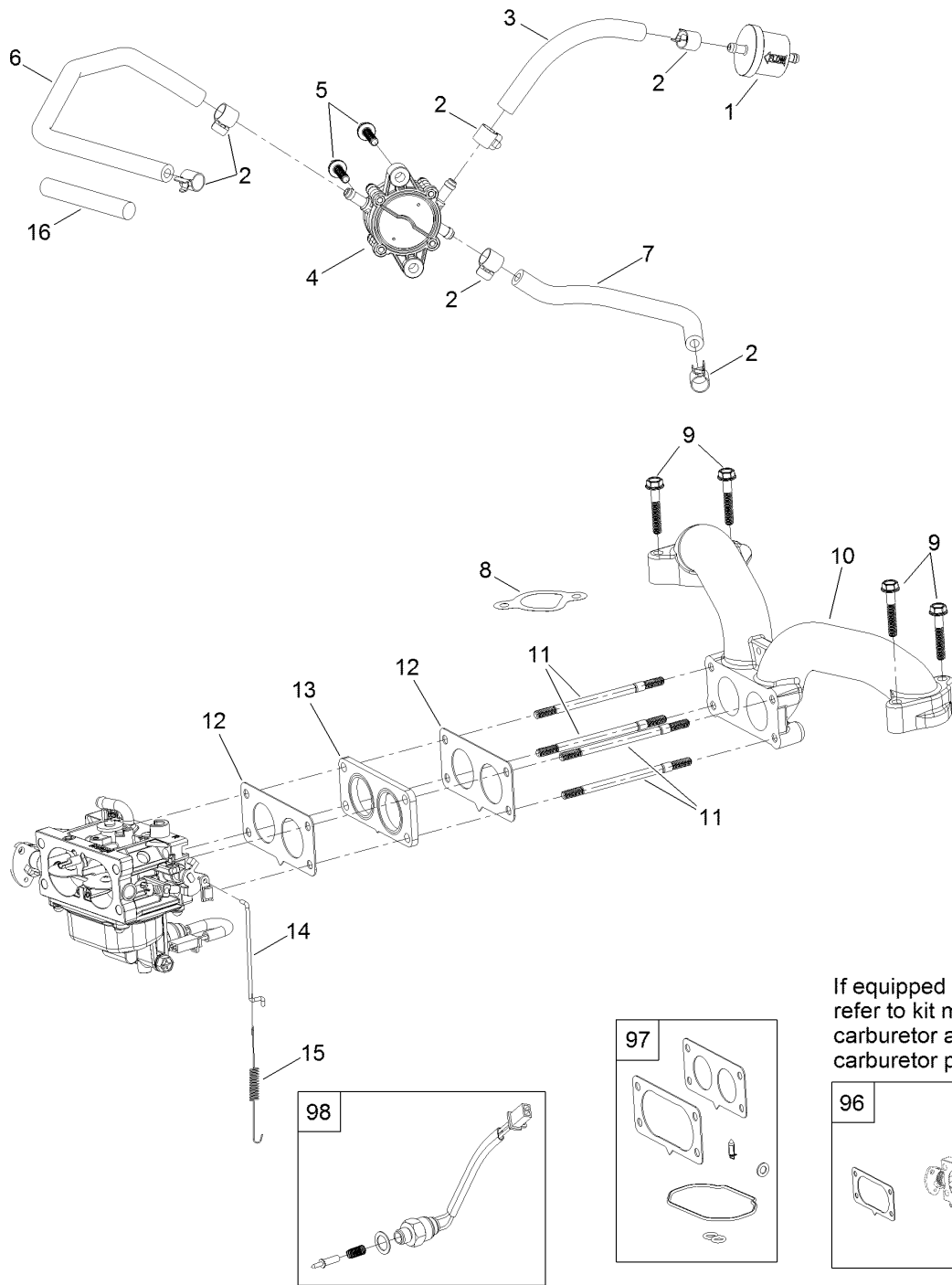


Engine and Muffler Assembly (continued)

<i>Ref.</i>	<i>Part Number</i>	<i>Qty.</i>	<i>Description</i>	<i>Ref.</i>	<i>Part Number</i>	<i>Qty.</i>	<i>Description</i>
1	139-0603	1	Engine-2P77F	4	139-2576	4	Screw-HWH
2	130-6851	1	Muffler	99	120-4317	1	Gasket-Exhaust ●
3	115-1166	4	Washer-Flat				

● Not illustrated

Fuel System Assembly



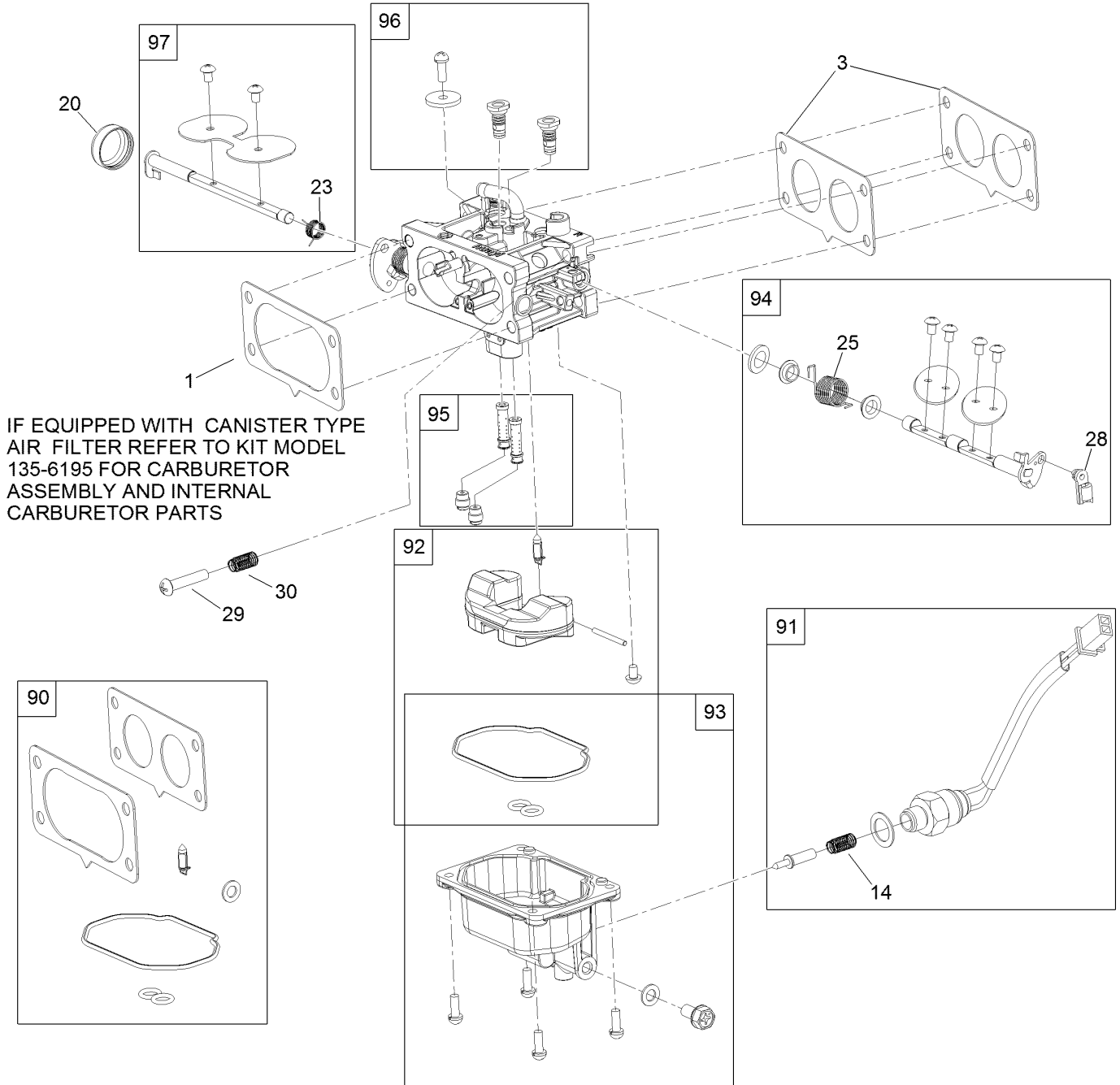
If equipped with canister type air filter refer to kit model 135-6195 for carburetor assembly and internal carburetor parts.

Fuel System Assembly (continued)

<i>Ref.</i>	<i>Part Number</i>	<i>Qty.</i>	<i>Description</i>	<i>Ref.</i>	<i>Part Number</i>	<i>Qty.</i>	<i>Description</i>
1	133-1563	1	Filter-Fuel	11	127-9245	4	Stud
2	120-4251	6	Clamp-Fuel Line	12	127-9246	2	Gasket-Carburetor
3	120-4371	1	Line-Fuel	13	127-9247	1	Insulator-Carburetor
4	127-9206	1	Pump-Fuel	14	133-9963	1	Linkage-Throttle
5	120-4225	2	Screw-HHF	15	133-9964	1	Spring-Return, Throttle
6	127-9205	1	Hose-Fuel	16	127-9355	1	Sleeve-Fuel Line Protector
7	127-9207	1	Hose-Fuel	96	136-7840	1	Carburetor Replacement Kit
8	127-9230	2	Gasket-Intake	97	127-9290	1	Carburetor Repair Kit
9	120-4284	4	Screw-HHF	98	127-9292	1	Solenoid Kit
10	127-9244	1	Manifold-Intake	99	136-7837	1	High Altitude Kit ●

● Not illustrated

Carburetor Assembly

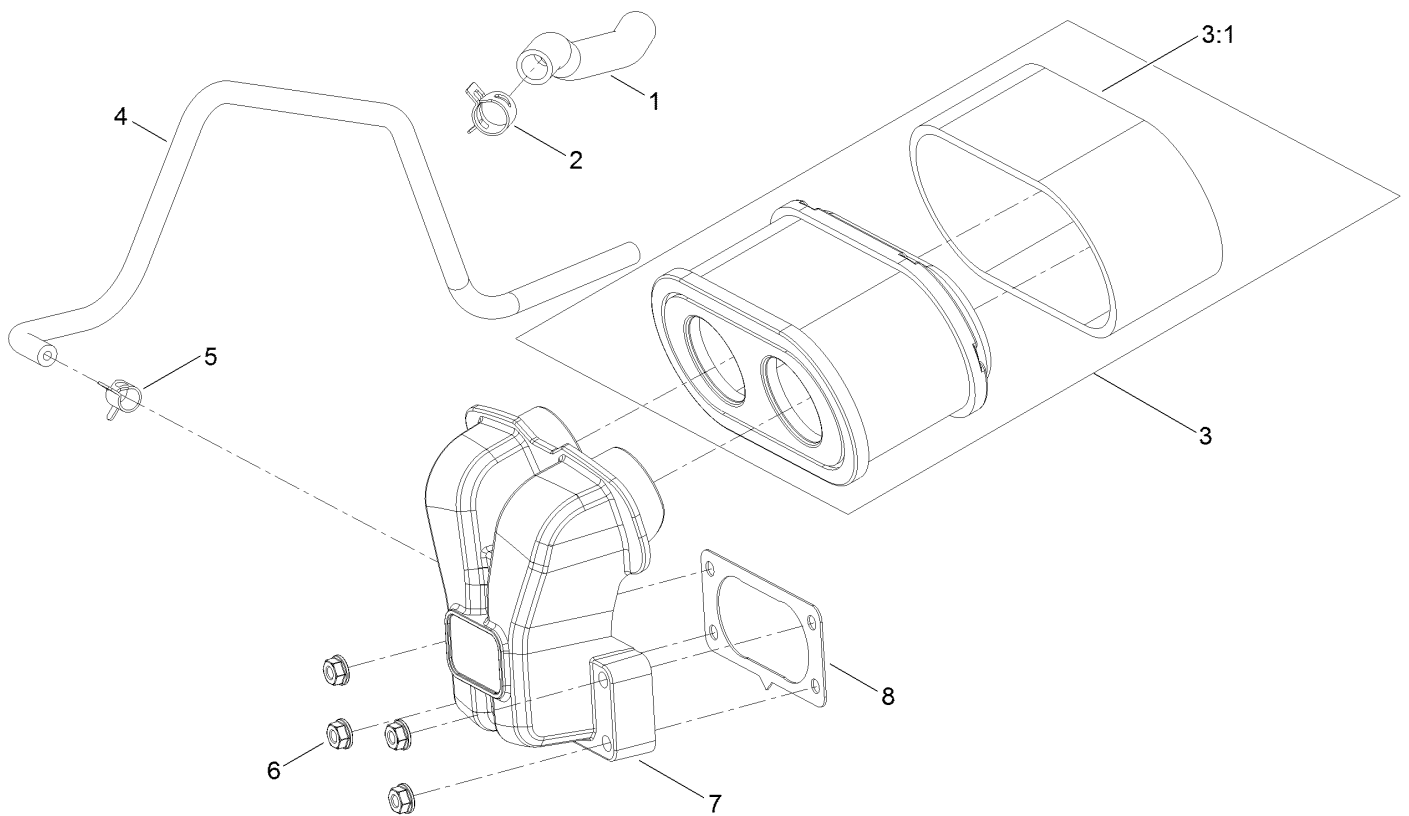


Carburetor Assembly (continued)

<i>Ref.</i>	<i>Part Number</i>	<i>Qty.</i>	<i>Description</i>	<i>Ref.</i>	<i>Part Number</i>	<i>Qty.</i>	<i>Description</i>
1	127-9251	1	Gasket-Carburetor	90	127-9290	1	Carburetor Repair Kit
3	127-9246	2	Gasket-Carburetor	91	127-9292	1	Solenoid Kit
14	127-9319	1	Spring	92	127-9340	1	Float Kit
20	127-9325	1	Cover-Shaft, Choke	93	127-9341	1	Bowl Kit
23	127-9328	1	Spring	94	133-9817	1	Throttle Shaft Kit
25	127-9330	1	Spring	95	136-7844	1	Nozzle And Jet Kit
28	127-9333	1	Clamp-Lock	96	136-7899	1	Idle Jet Kit
29	127-9334	1	Screw-PPH	97	127-9345	1	Choke Shaft Kit
30	127-9335	1	Spring				

Air Intake and Filtration Assembly

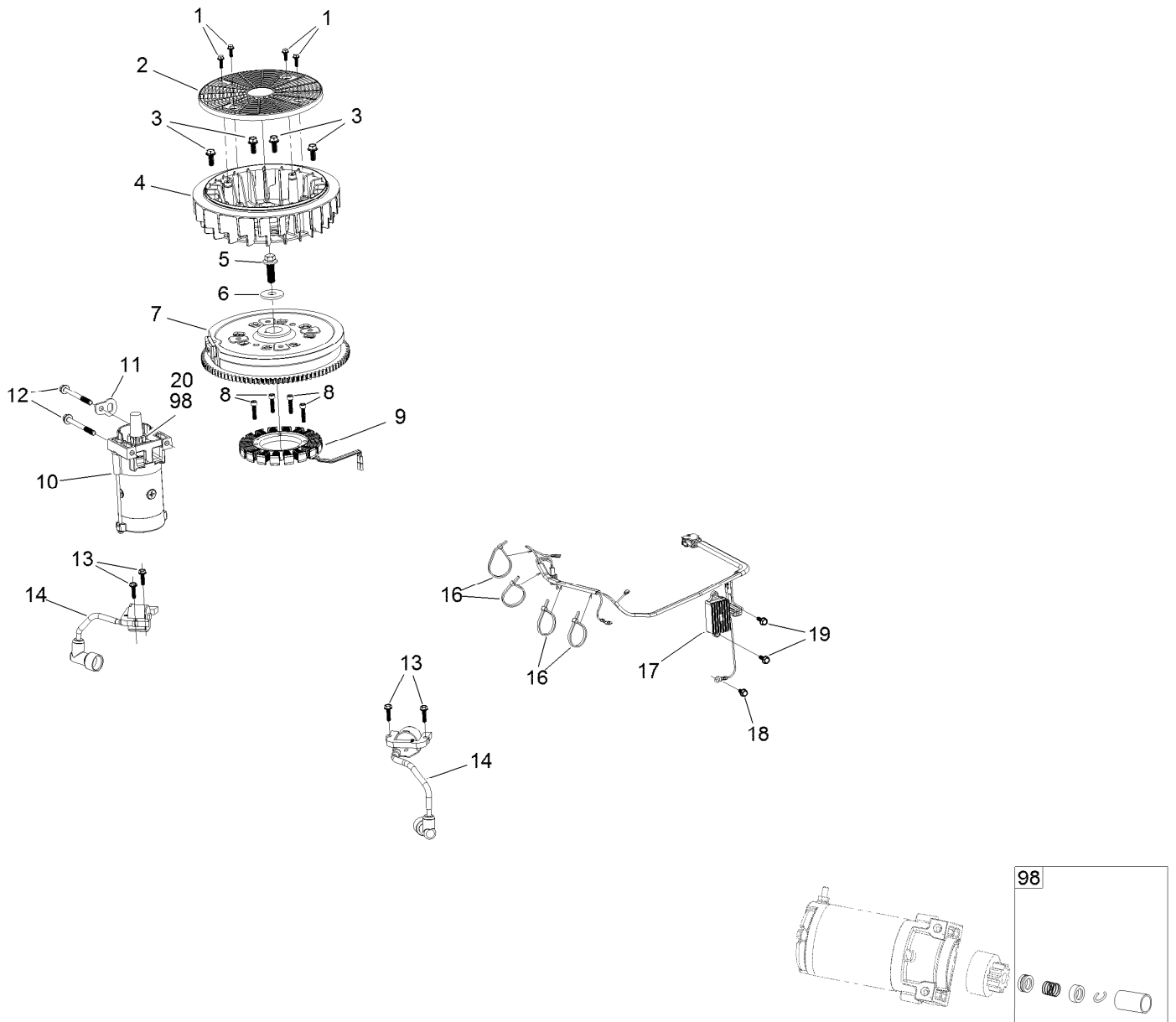
IF EQUIPPED WITH CANISTER TYPE AIR FILTER
REFER TO KIT MODEL 135-6195 TO LOOK UP PARTS



Air Intake and Filtration Assembly (continued)

<i>Ref.</i>	<i>Part Number</i>	<i>Qty.</i>	<i>Description</i>	<i>Ref.</i>	<i>Part Number</i>	<i>Qty.</i>	<i>Description</i>
1	127-9235	1	Tube-Breather	5	127-9187	1	Clamp-Hose
2	127-9234	2	Clamp-Hose	6	120-4236	4	Nut-Flange
3	136-7806	1	Air Filter Kit	7	127-9047	1	Manifold-Filter, Air
3:1	136-7804	1	Prefilter	8	127-9251	1	Gasket-Carburetor
4	127-9253	1	Hose-Fuel				

Ignition and Cooling Fan



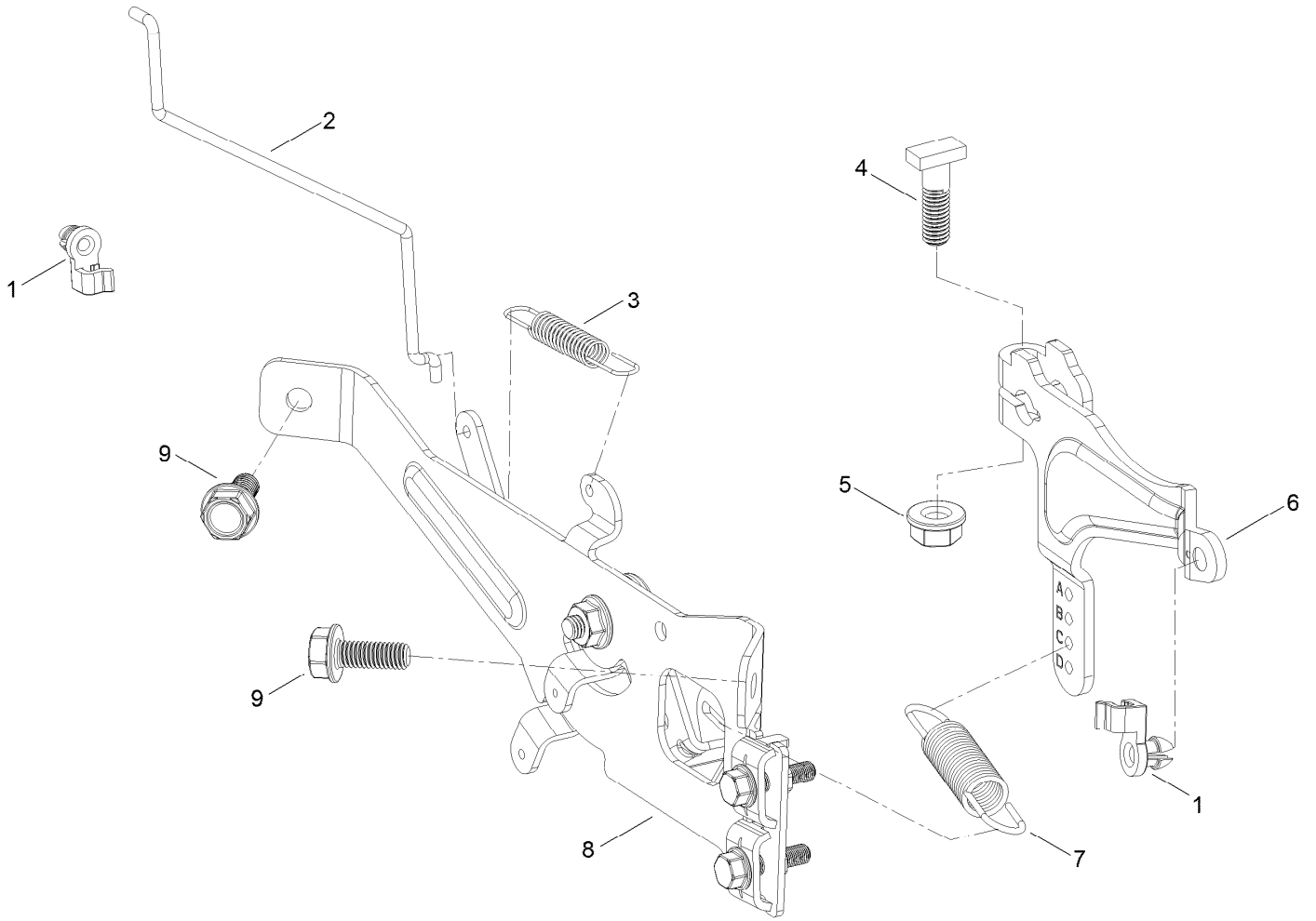
Ignition and Cooling Fan (continued)

<i>Ref.</i>	<i>Part Number</i>	<i>Qty.</i>	<i>Description</i>	<i>Ref.</i>	<i>Part Number</i>	<i>Qty.</i>	<i>Description</i>
1	127-9197	4	Screw-HWH	12	120-4231	2	Screw-HHF
2	127-9198	1	Screen-Rotating	13	121-0007	4	Bolt-Flange
3	127-9199	4	Screw-HWH	14	136-7883	2	Ignition Coil ASM
4	127-9200	1	Fan-Cooling	16	127-9220	4	Tie-Zip
5	127-9201	1	Screw-HWH	17	136-7879	1	Regulator-Voltage, W/Harness
6	127-9202	1	Washer-Spring	18	120-4216	1	Screw-HHF
7	127-9306	1	Flywheel	19	120-4232	2	Screw-HHF
8	127-9210	4	Screw-HSH	20	133-1562	1	Pinion-Starter
9	136-7876	1	Alternator	98	133-1566	1	Starter Repair Kit
10	136-7880	1	Motor-Starter				
11	127-9208	1	Bracket-Lift				

Crankcase and Crankshaft Assembly (continued)

<i>Ref.</i>	<i>Part Number</i>	<i>Qty.</i>	<i>Description</i>	<i>Ref.</i>	<i>Part Number</i>	<i>Qty.</i>	<i>Description</i>
1	120-4232	14	Screw-HHF	20	127-9266	1	Valve-Ball
2	127-9212	1	Baffle	21	120-4262	2	O-Ring
3	127-9213	1	Cover-Breather	22	127-9267	1	Gasket-Cover, Crankcase
4	127-9214	1	Gasket-Breather	23	133-9805	1	Plug-Drain
5	127-9215	1	Filter-Breather	24	133-9806	1	Cover-Crankcase
6	120-4216	1	Screw-HHF	25	127-9293	1	Oil Drain Hose ASM
7	127-9217	1	Valve-Breather	26	127-9275	1	Fitting-Hose
8	120-4267	1	Seal-Oil	27	127-9276	1	Clamp-Hose
10	136-7884	1	Adaptor-Filter, Oil	28	127-9271	1	Seal
11	136-7848	1	Filter-Oil	29	121-0473	10	Screw-HHF
12	127-9218	1	Oil Tube ASM	30	127-9274	1	Cover-Oil Pump
12:1	127-9283	1	Dipstick	31	127-9273	1	O-Ring
12:2	127-9284	1	O-Ring	32	127-9272	1	Oil Pump ASM
12:4	127-9286	1	O-Ring	33	120-4275	1	Deflector-Oil, Rubber
13	127-9255	1	Crankshaft	34	133-1568	1	Camshaft
13:1	120-4320	1	Key-Woodruff	35	136-7882	1	Governor ASM
14	127-9261	1	Cover-Screen, Oil	36	127-9238	1	Shaft-Governor
15	127-9262	1	Screen-Oil	37	120-4258	2	Washer-Plain
16	127-9263	1	Retainer-Screen	38	120-4257	1	Seal-Oil
17	120-4274	2	Pin-Dowel	39	120-4256	1	Pin-Hair
18	127-9264	1	Plate-Retainer	40	120-4232	2	Screw-HHF
19	127-9265	1	Spring				

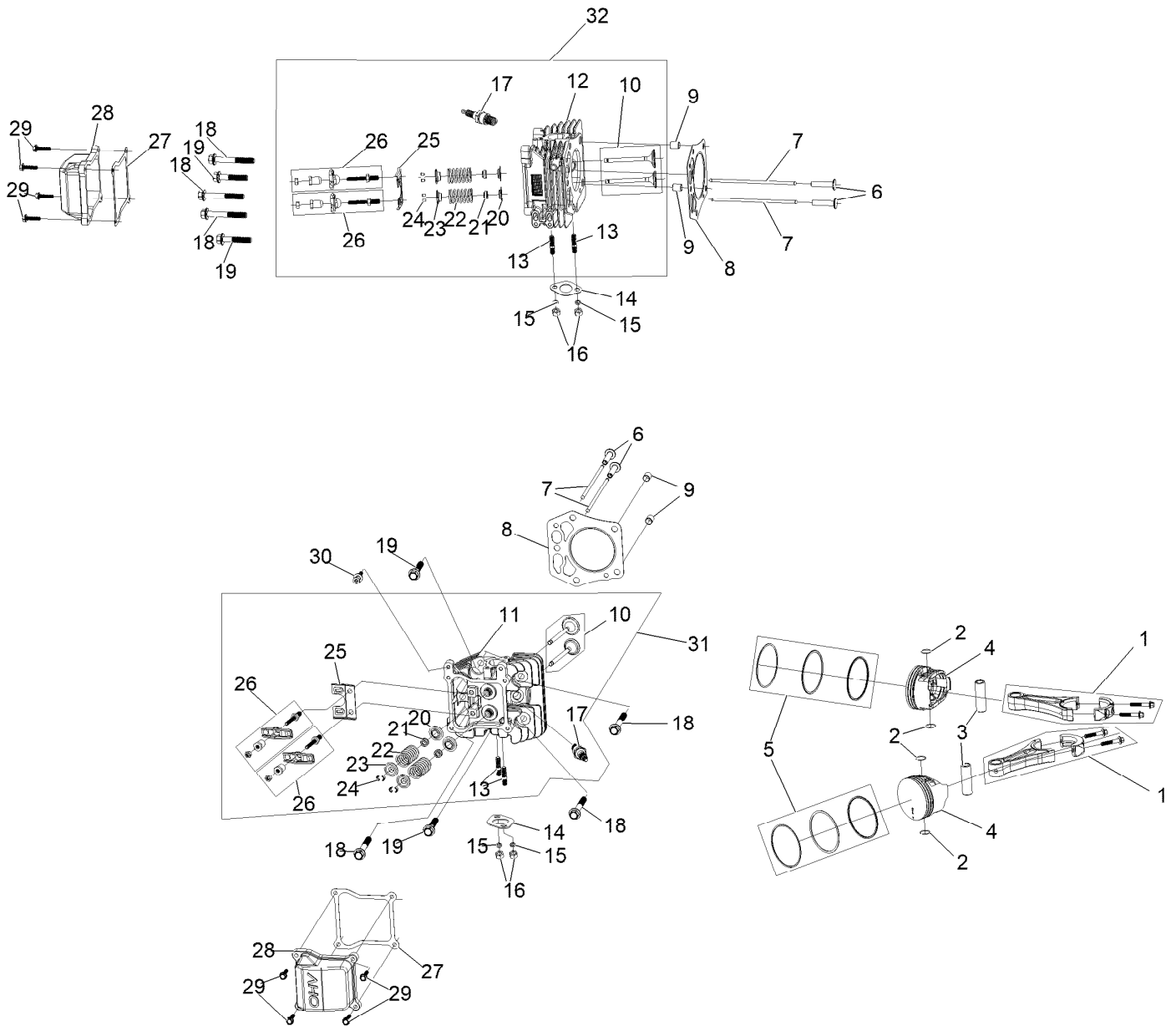
Governor Control Assembly



Governor Control Assembly (continued)

<i>Ref.</i>	<i>Part Number</i>	<i>Qty.</i>	<i>Description</i>	<i>Ref.</i>	<i>Part Number</i>	<i>Qty.</i>	<i>Description</i>
1	127-9250	2	Clip-Linkage	6	133-9961	1	Arm-Governor
2	127-9242	1	Linkage-Choke	7	133-9962	1	Spring-Governor
3	127-9241	1	Spring-Governor	8	133-1570	1	Control Plate ASM
4	120-4238	1	Bolt-Arm, Governor	9	120-4232	2	Screw-HHF
5	120-4236	1	Nut-Flange				

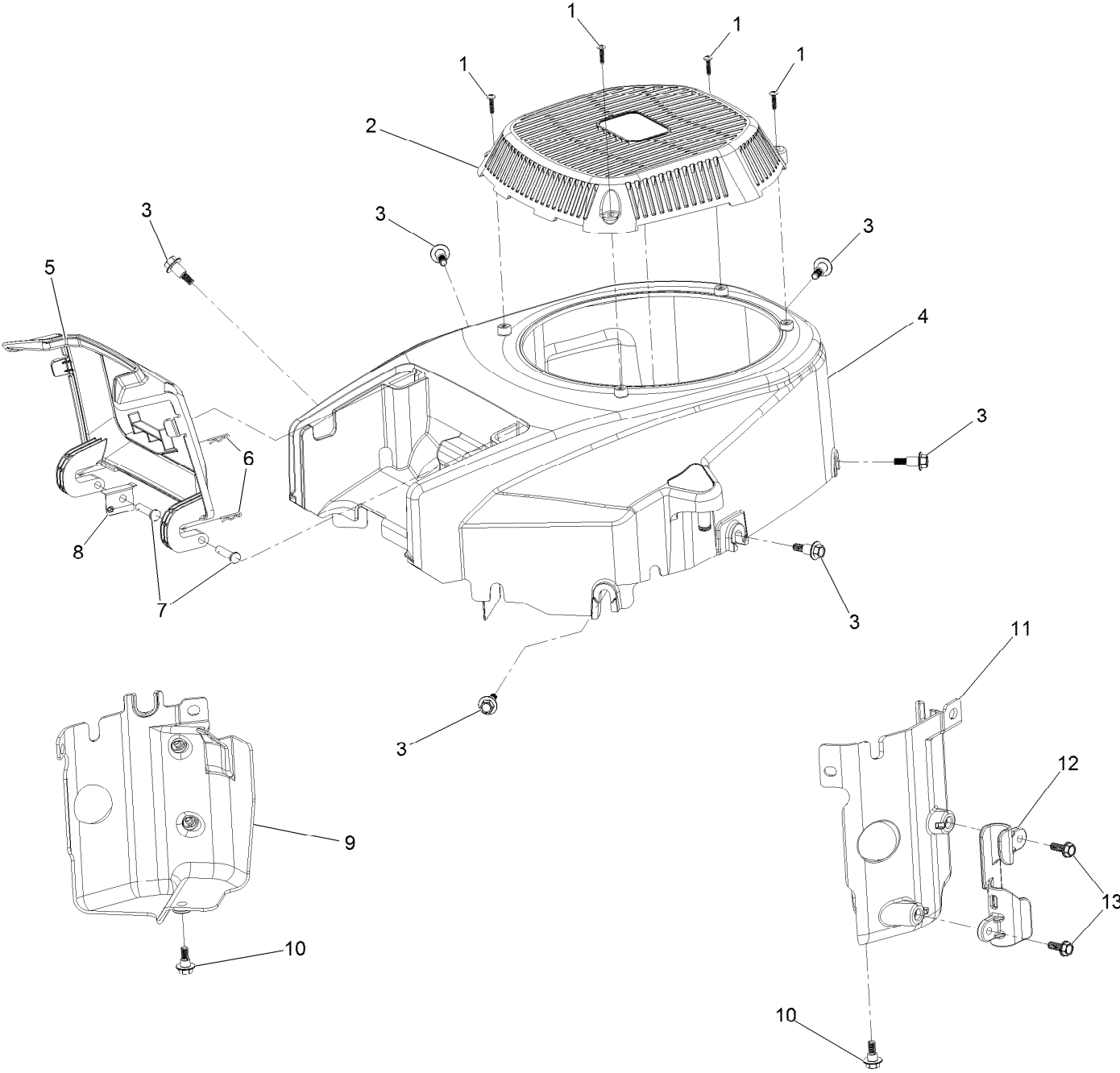
Piston and Cylinder Head Assembly



Piston and Cylinder Head Assembly (continued)

<i>Ref.</i>	<i>Part Number</i>	<i>Qty.</i>	<i>Description</i>	<i>Ref.</i>	<i>Part Number</i>	<i>Qty.</i>	<i>Description</i>
1	127-9256	2	Connecting Rod ASM	17	81-3250	2	Spark Plug
2	127-9258	4	Clip-Pin, Piston	18	127-9231	6	Screw-HWH
3	127-9257	2	Pin-Piston	19	127-9232	4	Screw-HWH
4	127-9259	2	Piston	20	120-4303	4	Seat-Spring, Valve
5	127-9260	2	Piston Ring Set	21	120-4304	4	Seal-Stem, Valve
6	127-9224	4	Lifter-Valve	22	120-4305	4	Spring-Valve
7	127-9225	4	Rod-Push	23	120-4306	4	Retainer-Spring, Valve
8	127-9226	2	Gasket-Head, Cylinder	24	120-4307	8	Keeper-Valve
9	127-9227	4	Pin-Dowel	25	127-9233	2	Plate-Guide, Push Rod
10	127-9228	2	Valve Set	26	136-7881	4	Rocker Arm ASM
11	133-9802	1	Head-Cylinder, Right	27	127-9295	2	Gasket-Valve Cover
12	133-9804	1	Head-Cylinder, Left	28	127-9050	2	Cover-Valve
13	121-0464	4	Stud-Exhaust	29	120-4225	8	Screw-HHF
14	120-4317	2	Gasket-Exhaust	30	120-4214	1	Screw-Shoulder, HH
15	127-9279	4	Washer-Lock, Split	31	136-7891	1	Complete Right Head ASM
16	121-0199	4	Nut-HH	32	136-7892	1	Complete Left Head ASM

Blower Housing Assembly

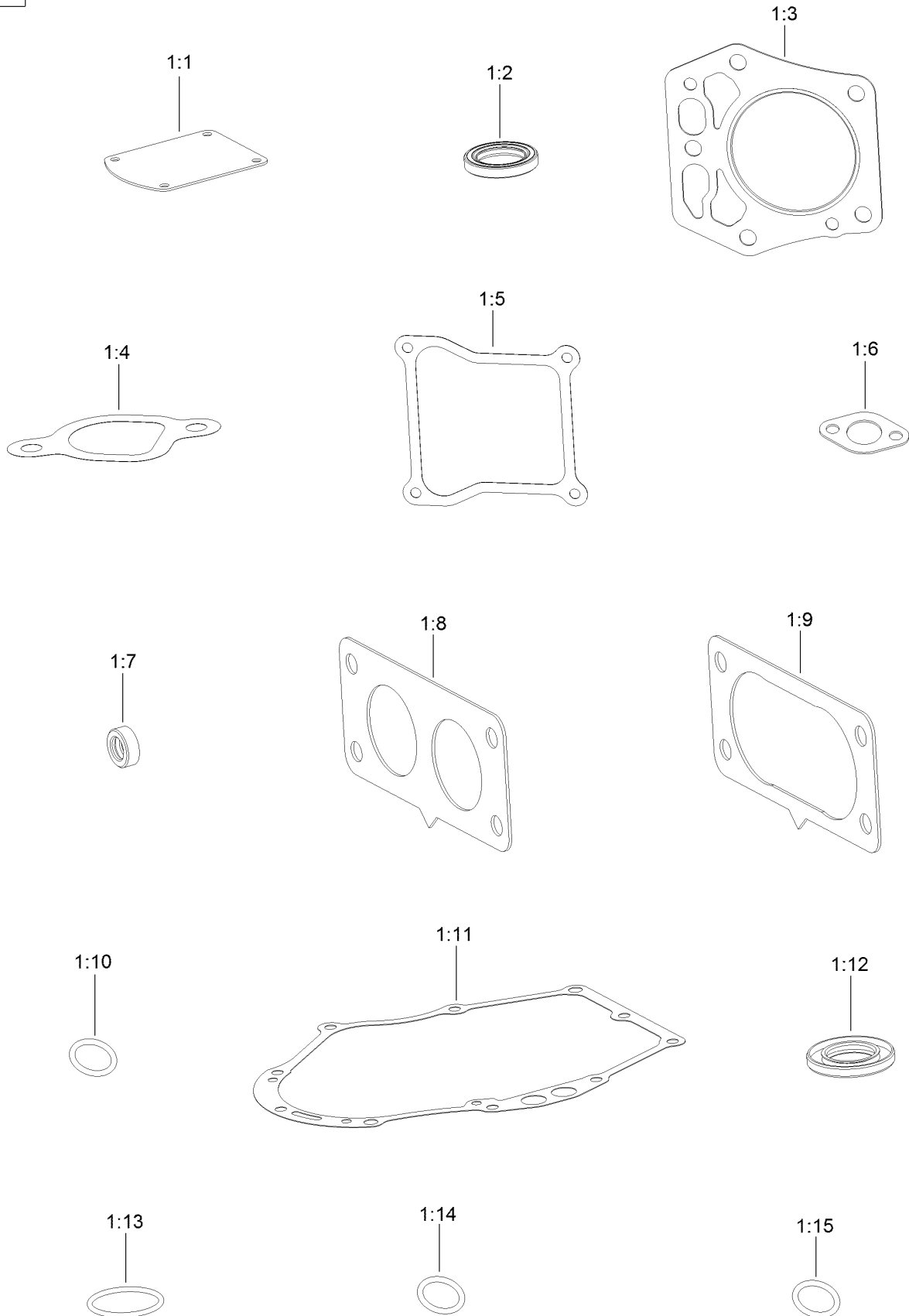


Blower Housing Assembly (continued)

<i>Ref.</i>	<i>Part Number</i>	<i>Qty.</i>	<i>Description</i>	<i>Ref.</i>	<i>Part Number</i>	<i>Qty.</i>	<i>Description</i>
1	133-1571	4	Screw-PPH, Plastic	8	127-9281	1	Plate-Spring
2	127-9045	1	Cover-Fan	9	136-7877	1	Baffle-Air, Left
3	127-9196	6	Screw-Shoulder, HWH	10	120-4210	2	Screw-Shoulder, HHF
4	133-1572	1	Shroud-Engine	11	136-7878	1	Baffle-Air, Right
5	127-9046	1	Door-Filter, Air	12	127-9287	1	Cleat-Hose
6	127-9280	2	Pin-Hair	13	120-4232	2	Screw-HHF
7	127-9282	2	Pin				

Gasket and Seal Kit

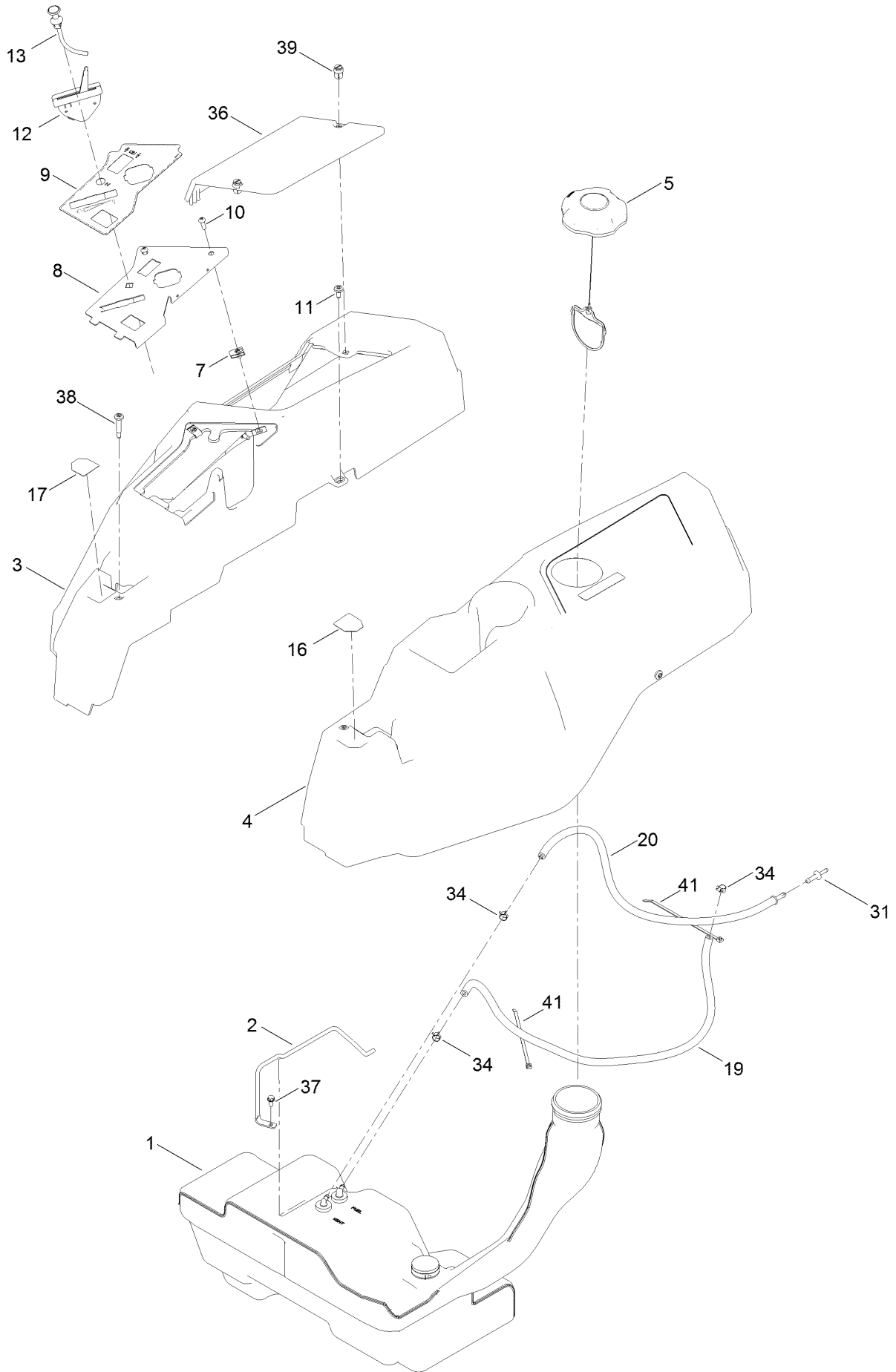
1



Gasket and Seal Kit (continued)

<i>Ref.</i>	<i>Part Number</i>	<i>Qty.</i>	<i>Description</i>	<i>Ref.</i>	<i>Part Number</i>	<i>Qty.</i>	<i>Description</i>
1	127-9296	1	Gasket And Seal Kit	1:8	127-9246	2	Gasket-Carburetor
1:1	127-9214	1	Gasket-Breather	1:9	127-9251	1	Gasket-Carburetor
1:2	120-4267	1	Seal-Oil	1:10	120-4262	2	O-Ring
1:3	127-9226	2	Gasket-Head, Cylinder	1:11	127-9267	1	Gasket-Cover, Crankcase
1:4	127-9230	2	Gasket-Intake	1:12	127-9271	1	Seal
1:5	127-9295	2	Gasket-Valve Cover	1:13	127-9273	1	O-Ring
1:6	120-4317	2	Gasket-Exhaust	1:14	127-9284	1	O-Ring
1:7	120-4257	1	Seal-Oil	1:15	127-9286	1	O-Ring

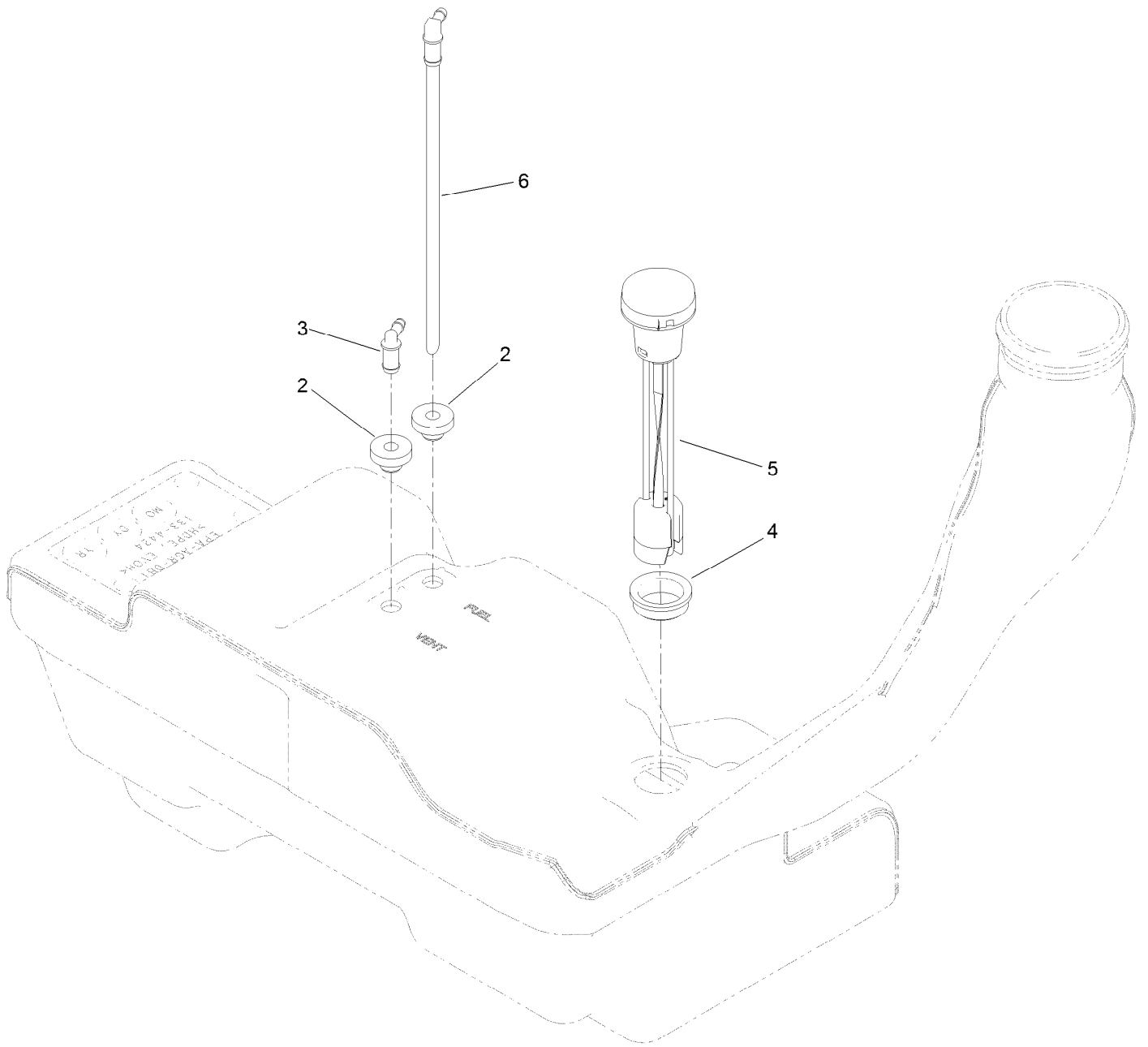
Body Styling and Fuel Tank Assembly



Body Styling and Fuel Tank Assembly (continued)

<i>Ref.</i>	<i>Part Number</i>	<i>Qty.</i>	<i>Description</i>	<i>Ref.</i>	<i>Part Number</i>	<i>Qty.</i>	<i>Description</i>
1	133-4484	1	Fuel Tank ASM	16	136-4243	1	Decal-Lever, Control (LH)
2	136-4180	1	Rod-Hold Down	17	136-4244	1	Decal-Lever, Control (RH)
3	133-9307	1	Pod-RH	19	109-3491	1	Hose-Fuel
4	133-9315	1	Pod-LH	20	110-4103	1	Hose-Fuel
5	137-4119	1	Cap-Fuel, Ratcheting	31	117-5399	1	Adaptor-Orifice
7	107069	2	Clip	34	2412-98	3	Clamp-Hose
8	139-7486-03	1	Panel-Control	36	133-9308	1	Cover-Battery
9	139-7473	1	Decal-Panel, Control	37	32144-4	1	Screw-HWH
10	3258-166	2	Screw-PRH	38	136-4195	2	Screw-Shoulder
11	120-7950	4	Screw-Torx	39	121-5840	2	Fastener
12	139-5808	1	Cable-Throttle	41	614249	2	Tie-Cable
13	139-2402	1	Cable-Choke				

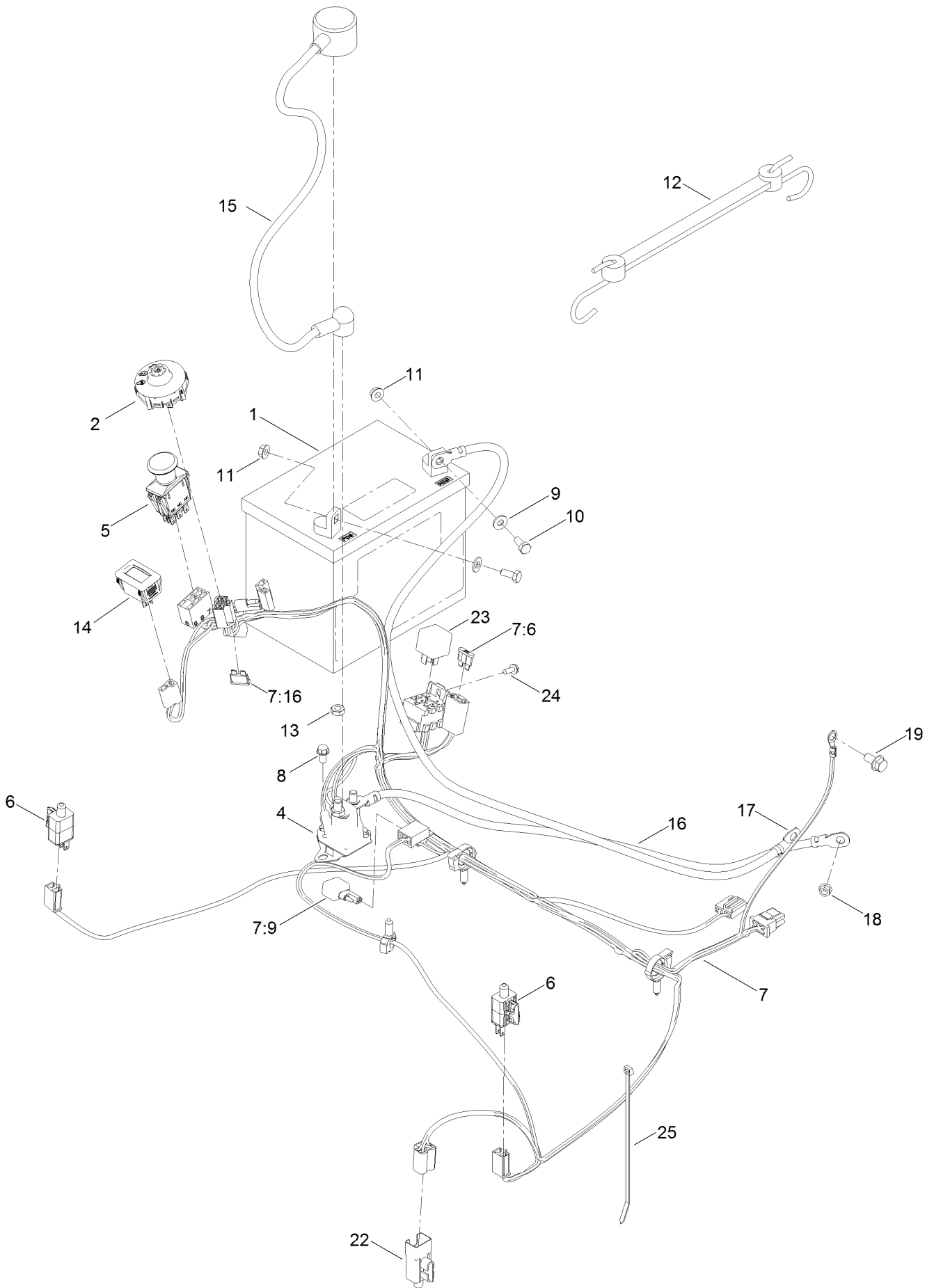
Fuel Tank Assembly No. 133-4484



Fuel Tank Assembly No. 133-4484 (continued)

<i>Ref.</i>	<i>Part Number</i>	<i>Qty.</i>	<i>Description</i>	<i>Ref.</i>	<i>Part Number</i>	<i>Qty.</i>	<i>Description</i>
2	46-6560	2	Bushing	5	133-9270	1	Gauge-Fuel
3	117-7400	1	Fitting-Plastic	6	121-0793	1	Connector-Elbow, 90 DEG
4	133-9269	1	Grommet-Fuel				

Electrical Assembly

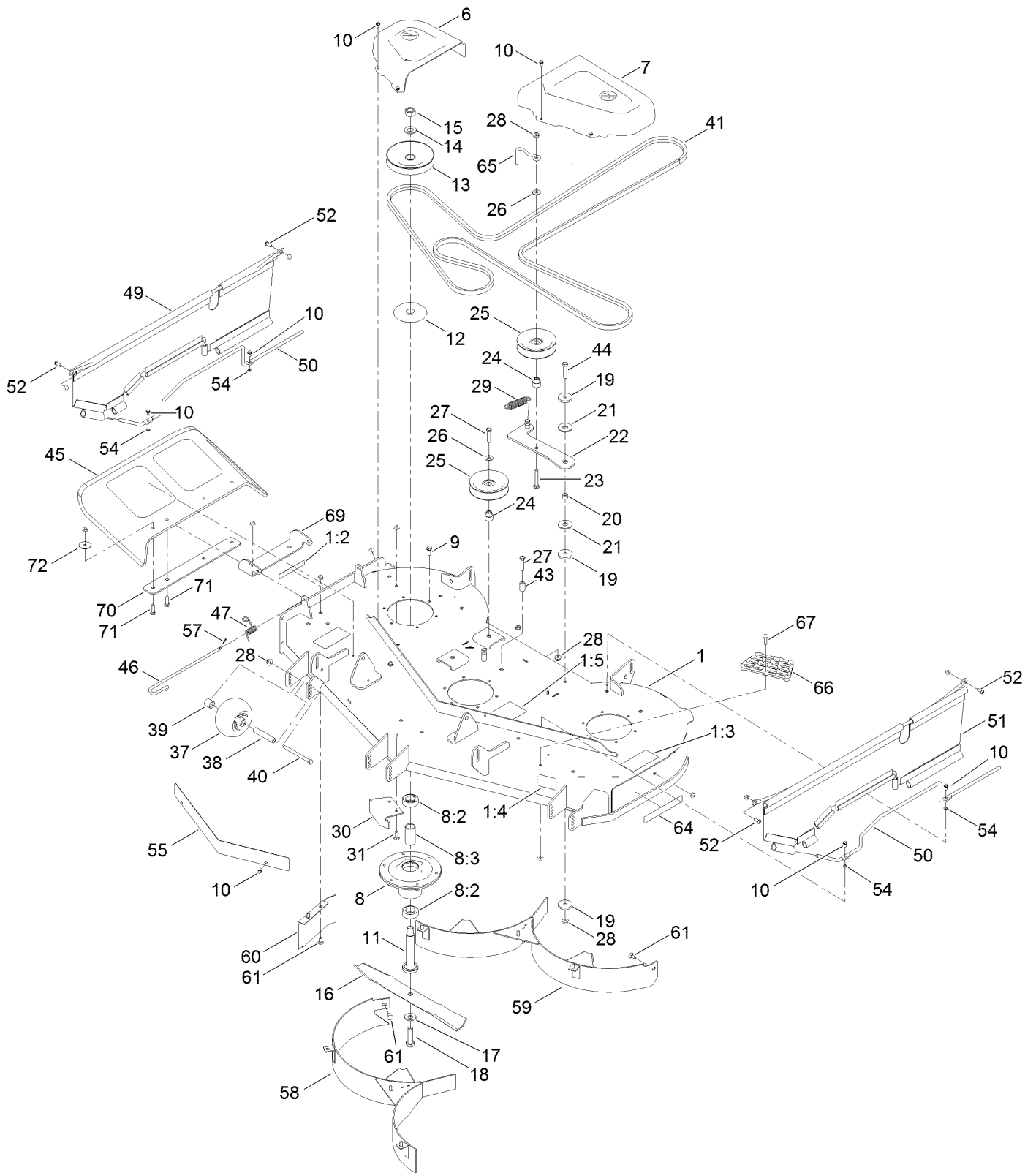


Electrical Assembly (continued)

<i>Ref.</i>	<i>Part Number</i>	<i>Qty.</i>	<i>Description</i>	<i>Ref.</i>	<i>Part Number</i>	<i>Qty.</i>	<i>Description</i>
1	104-8162	1	Battery	11	139-2575	2	Nut-HF
2	137-4100	1	Switch-Ignition	12	104-2466	1	Holddown-Battery
3	63-8360	1	Key-Ignition ●	13	139-2580	2	Nut-HJ
4	117-1197	1	Solenoid	14	120-2244	1	Hourmeter
5	103-5221	1	Switch-PTO	15	115-3864	1	Cable-Battery, Positive
6	110-6765	2	Switch	16	136-7473	1	Cable-Battery, Positive
7	137-7002	1	Harness-Wire	17	117-7240	1	Cable-Battery, Negative
7:6	109102	1	Fuse-Blade, 25 Amp	18	139-2619	1	Nut-HF
7:9	100-4918	1	Diode	19	139-2593	1	Screw-HHF
7:16	109355	1	Fuse-Blade, 15 Amp	22	99-7408	1	Switch-Reverse
8	32144-4	2	Screw-HWH	23	98-7249	1	Relay
9	120-9679	2	Washer-Flat	24	139-1713	1	Screw-Taptite
10	137-3041	2	Screw-HH	25	614249	1	Tie-Cable

● Not illustrated

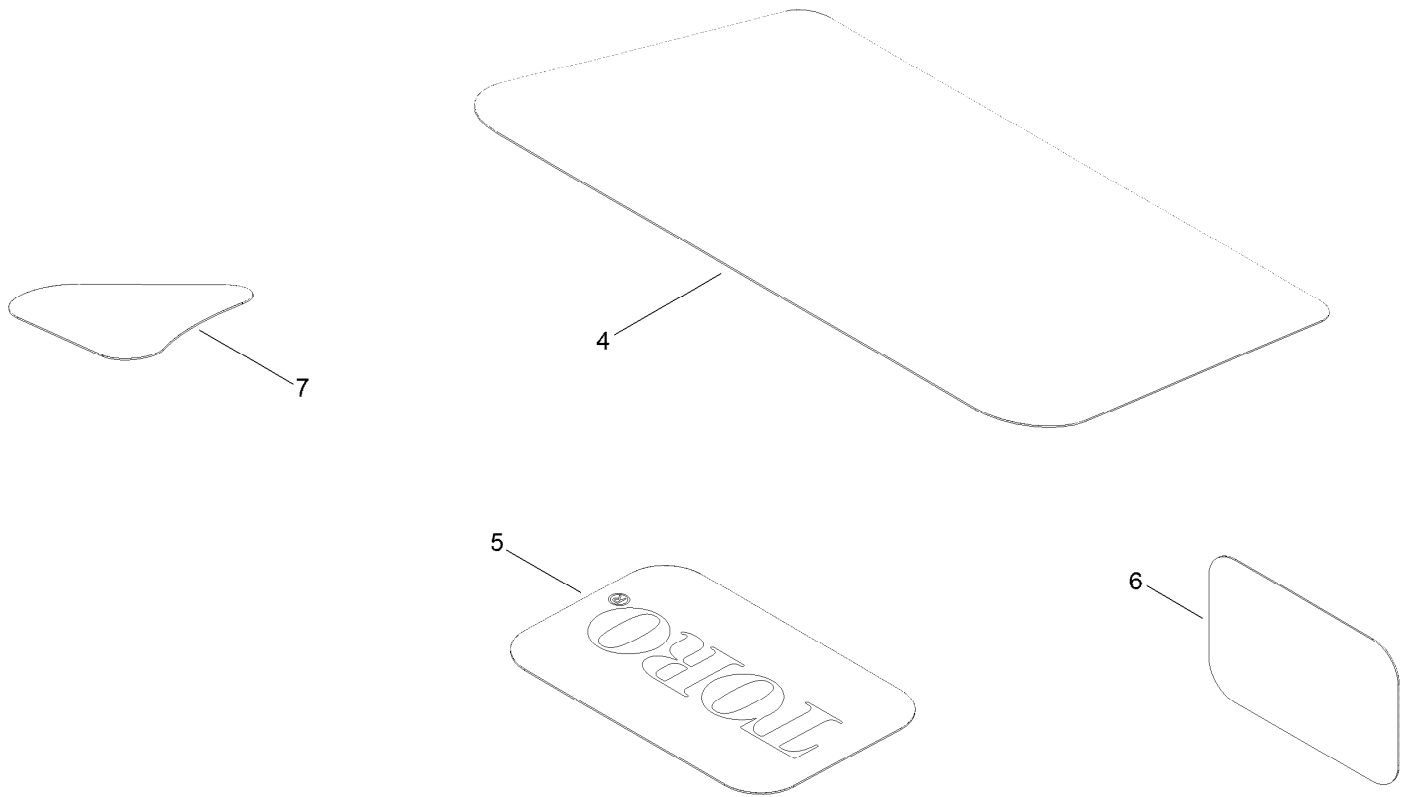
54 Inch Deck Assembly



54 Inch Deck Assembly (continued)

<i>Ref.</i>	<i>Part Number</i>	<i>Qty.</i>	<i>Description</i>	<i>Ref.</i>	<i>Part Number</i>	<i>Qty.</i>	<i>Description</i>
1	140-0353	1	54In Deck ASM	30	115-9653-03	1	Baffle-Cutoff
1:2	130-0731	1	Decal-Danger	31	139-2587	2	Screw-CARR
1:3	132-0872	2	Decal-Danger, Deck	37	1-603299	3	Roller-Scalp, Anti
1:4	130-0765	1	Decal-Scalp, Anti	38	138-7229	3	Tube-Spanner
1:5	117-1194	1	Decal-Routing, Belt	39	104-0892	3	Spacer-Axle, Rear
6	133-9283	1	Cover-Belt, RH	40	139-2592	3	Screw-HH
7	133-9282	1	Cover-Belt, LH	41	133-7076	1	V-Belt
8	139-2357	3	Spindle ASM	43	138-7230	1	Spacer-Fender
8:2	116-0720	2	Bearing-Ball	44	HDW07736	1	HHCS 3/8-16 X 2, GR5, Cz
8:3	138-7220	1	Spacer-Bearing	45	117-1270	1	Deflector
9	32144-41	18	Screw-Taptite	46	138-7231	1	Pin-Chute
10	32144-4	14	Screw-HWH	47	138-7232	1	Spring-Torsion
11	115-2642	3	Shaft-Spindle	49	133-9261	2	Rod-Support, Upper
12	138-7221	3	Shield-Bearing	50	136-4221	2	Rod-Support, Lower
13	139-7455	3	Pulley	51	136-4234	2	Side Guard ASM
14	7-4150	3	Washer	52	3274-55	4	Screw-HSBH
15	139-2579	3	Nut-Hex	54	1-803037	12	Nut-Retaining
16	115-4999-03	3	Blade-Mulch, 18.75 Inch	55	131-3901-03	1	Shield-Front
17	125-1736	3	Washer-Belleville	57	139-2614	1	Pin-Cotter
18	51-4060	3	Screw-Blade	58	136-4206-03	1	Baffle-Recycler
19	139-5802	3	Washer-Plain	59	115-9674-03	1	Baffle-Recycler, LH
20	138-7225	1	Spacer	60	117-7213-03	1	Guard-Baffle
21	114-0463	2	Washer-Friction, Composite	61	137-3061	5	Bolt-CARR
22	138-7226	1	Idler Arm ASM	64	119-2368	1	Decal-Recycler
23	139-2591	1	Screw-CARR	65	136-5615	1	Guide-Belt, Idler
24	138-7227	3	Bushing-Idler	66	126-4781-03	1	Step-Deck
25	132-4718	3	Pulley-Idler, Flat	67	139-1702	1	Bolt-Carriage
26	139-2632	3	Washer-Hardened	69	114-1648-03	1	Bracket-Deflector, Upper
27	139-2602	3	Screw-HH	70	115-5048-03	1	Plate-Deflector
28	119-4042	6	Nut-HF, NI	71	139-1702	4	Bolt-Carriage
29	138-7228	1	Spring-Extension	72	115-1151	2	Washer-Flat

Model Specific Decal Assembly

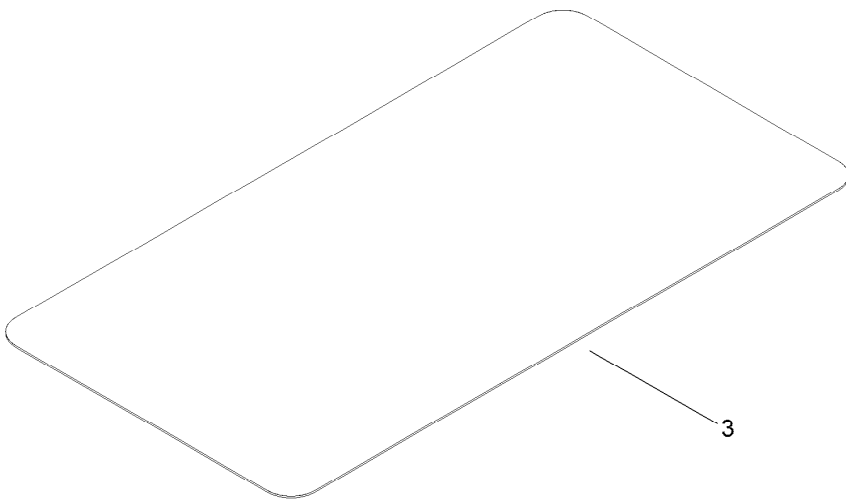
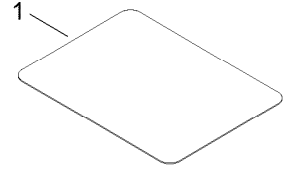


Model Specific Decal Assembly (continued)

<i>Ref.</i>	<i>Part Number</i>	<i>Qty.</i>	<i>Description</i>
4	136-5597	1	Decal-Engine
5	131-4157	1	Decal

<i>Ref.</i>	<i>Part Number</i>	<i>Qty.</i>	<i>Description</i>
6	127-9076	1	Placard-Intake
7	131-1097	1	Decal-Drain, Oil

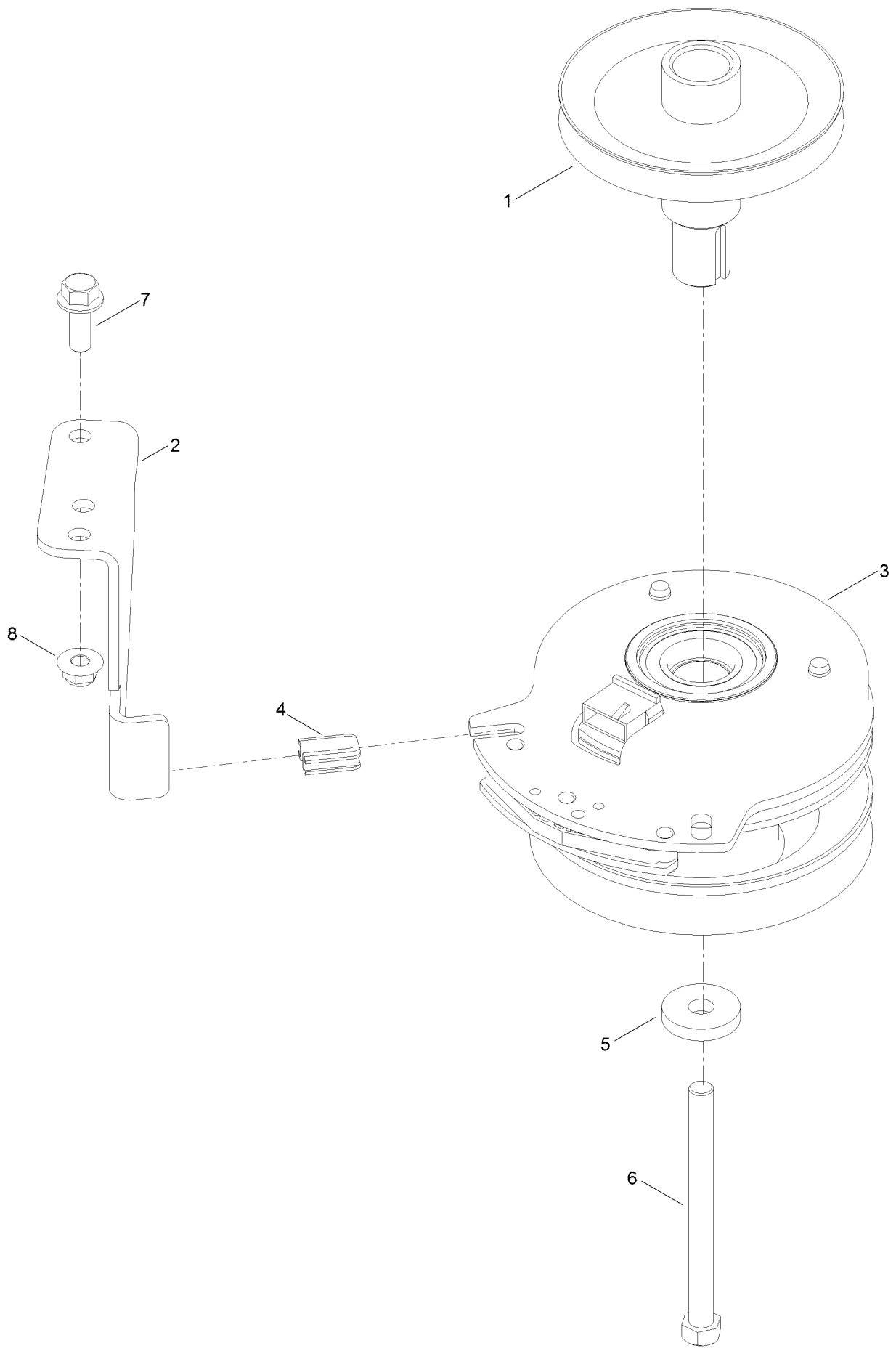
Frame Decal Assembly



Frame Decal Assembly (continued)

<i>Ref.</i>	<i>Part Number</i>	<i>Qty.</i>	<i>Description</i>
1	136-5596	1	Decal-Maintenance
3	140-3493	1	Decal-HOC

Clutch Assembly



Clutch Assembly (continued)

<i>Ref.</i>	<i>Part Number</i>	<i>Qty.</i>	<i>Description</i>	<i>Ref.</i>	<i>Part Number</i>	<i>Qty.</i>	<i>Description</i>
1	138-9831	1	Pulley-Engine	5	139-2626	1	Washer
2	137-7000	1	Stop-Clutch (Wide)	6	139-2573	1	Screw-HH
3	127-3410	1	Clutch-PTO	7	139-2597	1	Screw-HHF
4	120-2217	1	Isolator-Clutch	8	119-4042	1	Nut-HF, NI

Attachments and Accessories

For 74877 Titan X5450 Riding Mower

Product Name	Model/Part
Jack Kit	127-6666
Fuel Stabilizer .05 oz	130-2393
4-Cycle Fuel, Snow And Lawn 32oz Can	131-3823
Toro Premium Fuel Treatment 12 Oz Bottle	131-6572
5 Gallon Bucket	133-2533
Heavy Duty Air Cleaner Kit	135-6195
Light Kit.....	136-7493
CE Bagger Compliance Kit	137-5001
Sunshade	137-7011
Product Cover.....	137-7012
Oil-30/10W-30 Synthetic (Quart).....	138-6053
Maintenance Kit Toro V-twin Engine	139-0646
Maintenance Kit Toro	139-0649
ROPS Kit	139-2638
Bucket Mount Kit.....	140-2066
Jack Mount Kit	140-2067
Weight Kit	140-5084
Deck Lift Assist Kit	140-5123
Mount Kit	140-5125
10w30 4-Cycle Engine Oil (32oz Bottle).....	38280
Toro 4-Cycle SAE 30 Oil (32oz Bottle)	38903
Powered Bagger.....	79346

Notes:

Notes:

Notes:



Count on it.