



**Count on it.**

**Parts Catalog**

**TimeCutter® MX 5075T**

**Riding Mower**

Model No. 74694—Serial No. 40000000 and Up



# Ordering Replacement Parts

To order replacement parts, please supply the part number, the quantity, and the description of each part desired.

## Understanding Reference Numbers

Each identified part in an illustration has a reference number. The reference number for a part also appears in the parts list, along with other information about the part.

This catalog uses two special reference number formats, one to indicate parts in a service assembly and another to indicate the quantity of a given part in an illustration.

## Service Assembly Reference Numbers

Parts in service assemblies have reference numbers in the form a:b. The a represents the reference number of the entire service assembly and the b represents a sequential number unique to each part within the service assembly.

For example, a wheel assembly might be identified by reference number 6, the tire by 6:1, the valve by 6:2, and the wheel by 6:3. When you order the assembly identified by reference number 6, you receive all parts identified by reference numbers 6:1, 6:2, and 6:3. However, you may also order any part individually. Reference numbers of this type appear in illustration and in parts lists.

## Reference Numbers Indicating Quantity

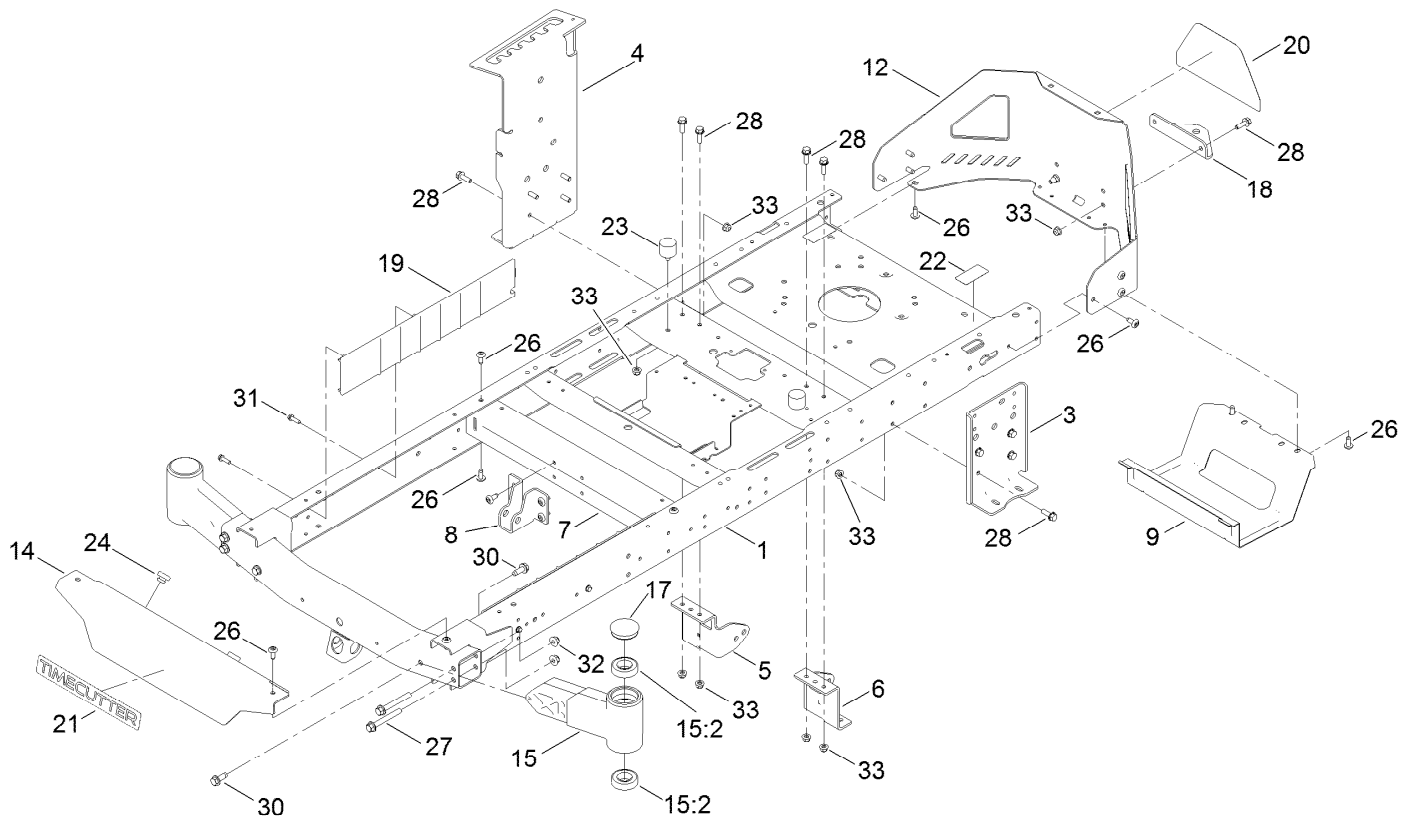
In an illustration, if a reference number indicates more than one part, the reference number has the form nX y. The n represents the quantity of the part, the X is the multiplication symbol, and the y represents the reference number.

For example, in an illustration, the reference number 2X 37 means that two of the parts identified by reference number 37 are indicated.

# Contents

|   |    |
|---|----|
| Frame Assembly . . . . .  | 4  |
| Deck Lift Assembly . . . . .                                      | 6  |
| Caster and Wheel Assembly . . . . .                               | 8  |
| Traction Drive Assembly . . . . .                                 | 10 |
| LH Transaxle Assembly No. 139-7460 . . . . .                      | 12 |
| RH Transaxle Assembly No. 139-7461 . . . . .                      | 14 |
| Brake Assembly . . . . .  | 16 |
| Rear Tire Assembly . . . . .                                      | 18 |
| Motion Control Assembly . . . . .                                 | 20 |
| Engine and Muffler Assembly . . . . .                             | 22 |
| Fuel System Assembly with Non-Canister Style Air Filter . . . . . | 24 |
| Carburetor Assembly . . . . .                                     | 26 |
| Air Intake and Filtration Assembly . . . . .                      | 28 |
| Ignition and Cooling Fan . . . . .                                | 30 |
| Crankcase and Crankshaft Assembly . . . . .                       | 32 |
| Governor Control Assembly . . . . .                               | 34 |
| Piston and Cylinder Head Assembly . . . . .                       | 36 |
| Blower Housing Assembly . . . . .                                 | 38 |
| Gasket and Seal Kit . . . . .                                     | 40 |
| Body Styling and Fuel Pod Assembly . . . . .                      | 42 |
| Electrical Assembly . . . . .                                     | 44 |
| 50 Inch Deck Assembly . . . . .                                   | 46 |
| Decal Assembly . . . . .  | 48 |
| Seat Assembly . . . . .   | 50 |
| Seat Assembly No. 140-5044 . . . . .                              | 52 |
| Clutch Assembly . . . . .   | 54 |
| Attachments and Accessories . . . . .                             | 56 |

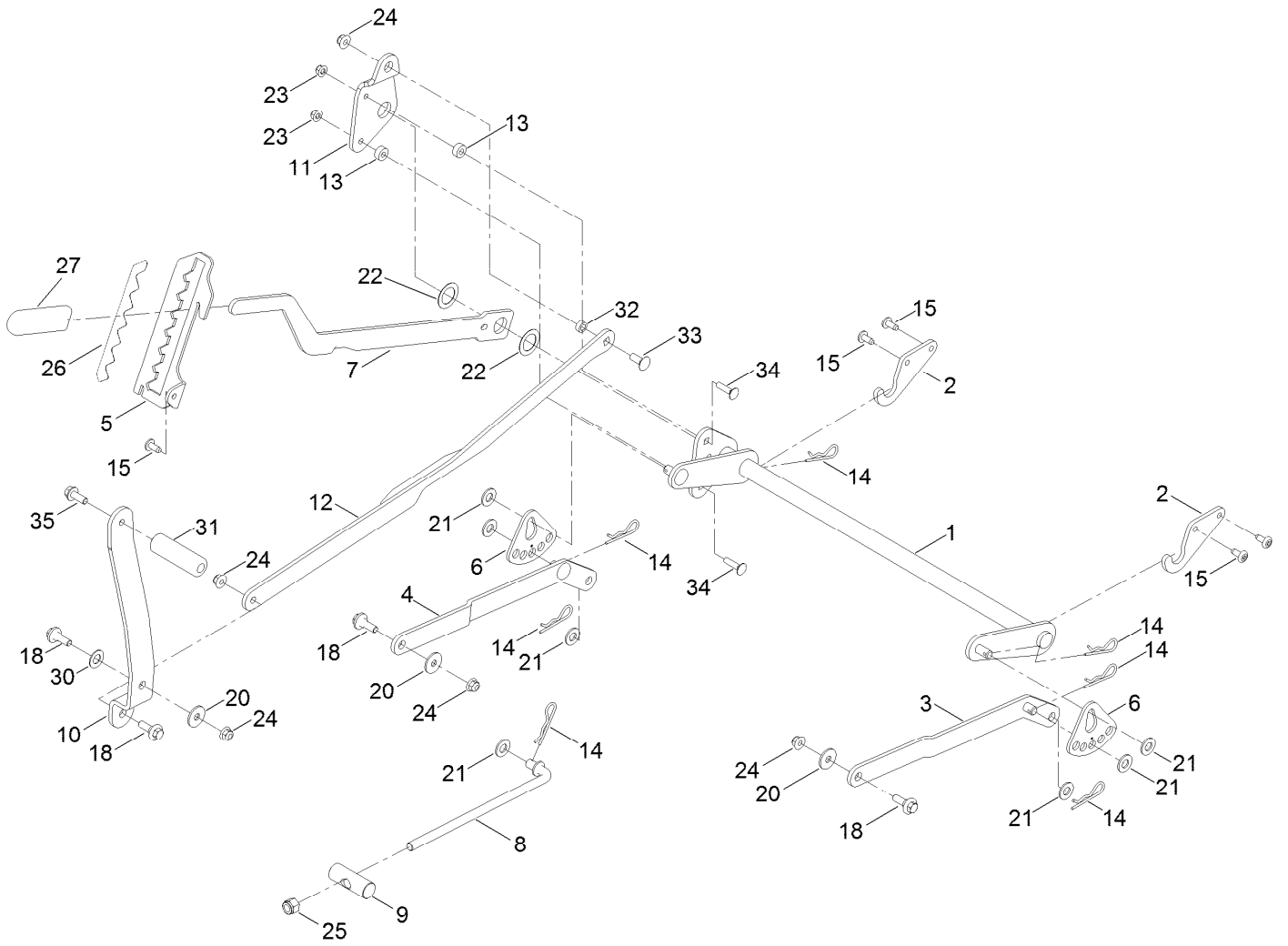
# Frame Assembly



## Frame Assembly (continued)

| <i>Ref.</i> | <i>Part Number</i> | <i>Qty.</i> | <i>Description</i>             | <i>Ref.</i> | <i>Part Number</i> | <i>Qty.</i> | <i>Description</i>  |
|-------------|--------------------|-------------|--------------------------------|-------------|--------------------|-------------|---------------------|
| 1           | 137-9820-01        | 1           | Frame Assembly                 | 18          | 117-1232-03        | 1           | Bracket-Hitch       |
| 3           | 138-7520-01        | 1           | Plate-Mount, Hydro             | 19          | 138-7516           | 2           | Guard-Rail          |
| 4           | 139-2352-01        | 1           | Plate-Mount Hydro, RH          | 20          | 139-5890           | 1           | Decal-Timecutter    |
| 5           | 137-7020-01        | 1           | Mount-Hydro, Front (Right)     | 21          | 139-2387           | 1           | Decal-Timecutter    |
| 6           | 139-3211-01        | 1           | Mount-Hydro, Front (Left)      | 22          | 121-2989           | 2           | Decal-Bypass        |
| 7           | 138-2527-01        | 1           | Brace-Cross, Lower             | 23          | 137-4803           | 2           | Bumper-Rubber       |
| 8           | 139-3260-01        | 1           | Bracket-Mount Damper,<br>Lower | 24          | 140-3460           | 2           | Bumper-Rubber       |
| 9           | 138-0867-03        | 1           | Guard-Muffler                  | 26          | 138-9753           | 20          | Screw               |
| 12          | 138-9820-03        | 1           | Guard-Engine                   | 27          | 139-2429           | 4           | Screw-HHF           |
| 14          | 138-7596-01        | 1           | Footrest                       | 28          | 139-2596           | 14          | Screw-HHF           |
| 15          | 140-2097           | 2           | Axle Stub ASM                  | 30          | 139-2428           | 4           | Screw-HWH           |
| 15:2        | 109-3678           | 2           | Bearing-Ball                   | 31          | 137-3099           | 4           | Screw-Plastite, HWH |
| 17          | 138-7200           | 2           | Cap-Grease                     | 32          | 139-2430           | 4           | Nut-HF, NI          |
|             |                    |             |                                | 33          | 119-4041           | 16          | Nut-HF              |

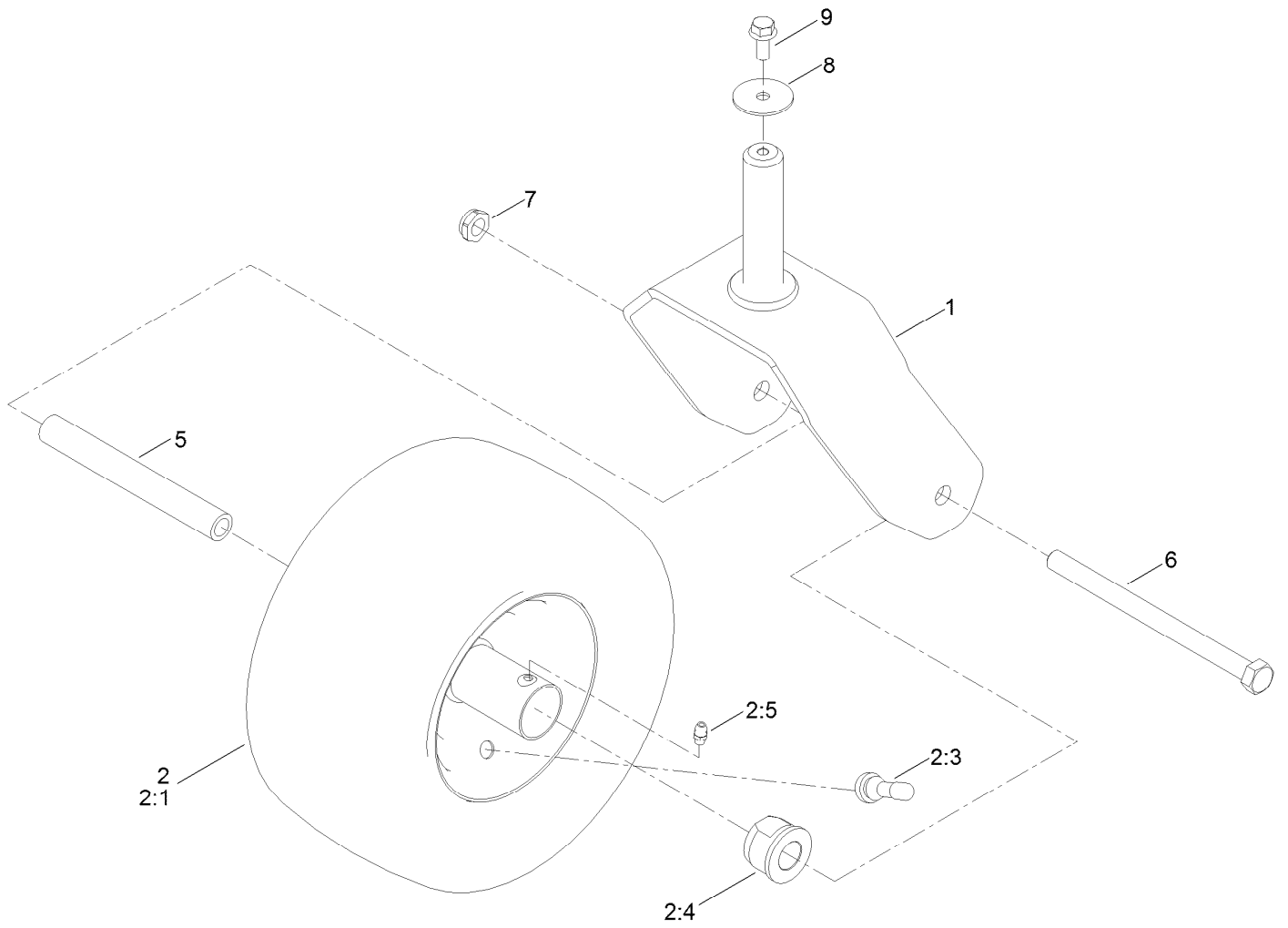
# Deck Lift Assembly



## Deck Lift Assembly (continued)

| <i>Ref.</i> | <i>Part Number</i> | <i>Qty.</i> | <i>Description</i>      | <i>Ref.</i> | <i>Part Number</i> | <i>Qty.</i> | <i>Description</i>  |
|-------------|--------------------|-------------|-------------------------|-------------|--------------------|-------------|---------------------|
| 1           | 137-7093-03        | 1           | Deck Lift ASM           | 18          | 137-9847           | 4           | Screw-Shoulder      |
| 2           | 138-6021           | 2           | Bracket-Pivot, Decklift | 20          | 140-5063           | 3           | Washer-Hardened, Cz |
| 3           | 137-9844           | 1           | LH Arm ASM              | 21          | 139-2611           | 7           | Washer-Flat         |
| 4           | 137-9846           | 1           | RH Arm ASM              | 22          | 63-2290            | 2           | Washer-Thrust       |
| 5           | 139-2350-01        | 1           | Bracket-HOC             | 23          | 119-4041           | 2           | Nut-HF              |
| 6           | 138-2564           | 2           | Plate-Adjustment, HOC   | 24          | 119-4042           | 5           | Nut-HF, NI          |
| 7           | 137-7087-03        | 1           | Lever-Lift              | 25          | 139-1725           | 1           | Nut-Hex             |
| 8           | 138-6050           | 1           | Rod-Mount, Deck         | 26          | 140-2748           | 1           | Decal-HOC           |
| 9           | 119-8810           | 1           | Pin-Pivot               | 27          | 1-633268           | 1           | Grip-Lever          |
| 10          | 138-2549-03        | 1           | Pedal-Lift              | 30          | 120-2273           | 1           | Washer-Nylon        |
| 11          | 137-7086           | 1           | Plate-Footlift          | 31          | 139-7452           | 1           | Pedal-Foot Lift     |
| 12          | 140-2746-03        | 1           | Link ASM                | 32          | 140-2093           | 1           | Spacer              |
| 13          | 140-3461           | 2           | Spacer                  | 33          | 139-2590           | 1           | Screw-CARR          |
| 14          | 139-2562           | 7           | Pin-Hair                | 34          | 139-1702           | 2           | Bolt-Carriage       |
| 15          | 138-9753           | 5           | Screw                   | 35          | 139-2597           | 1           | Screw-HHF           |

# Caster and Wheel Assembly

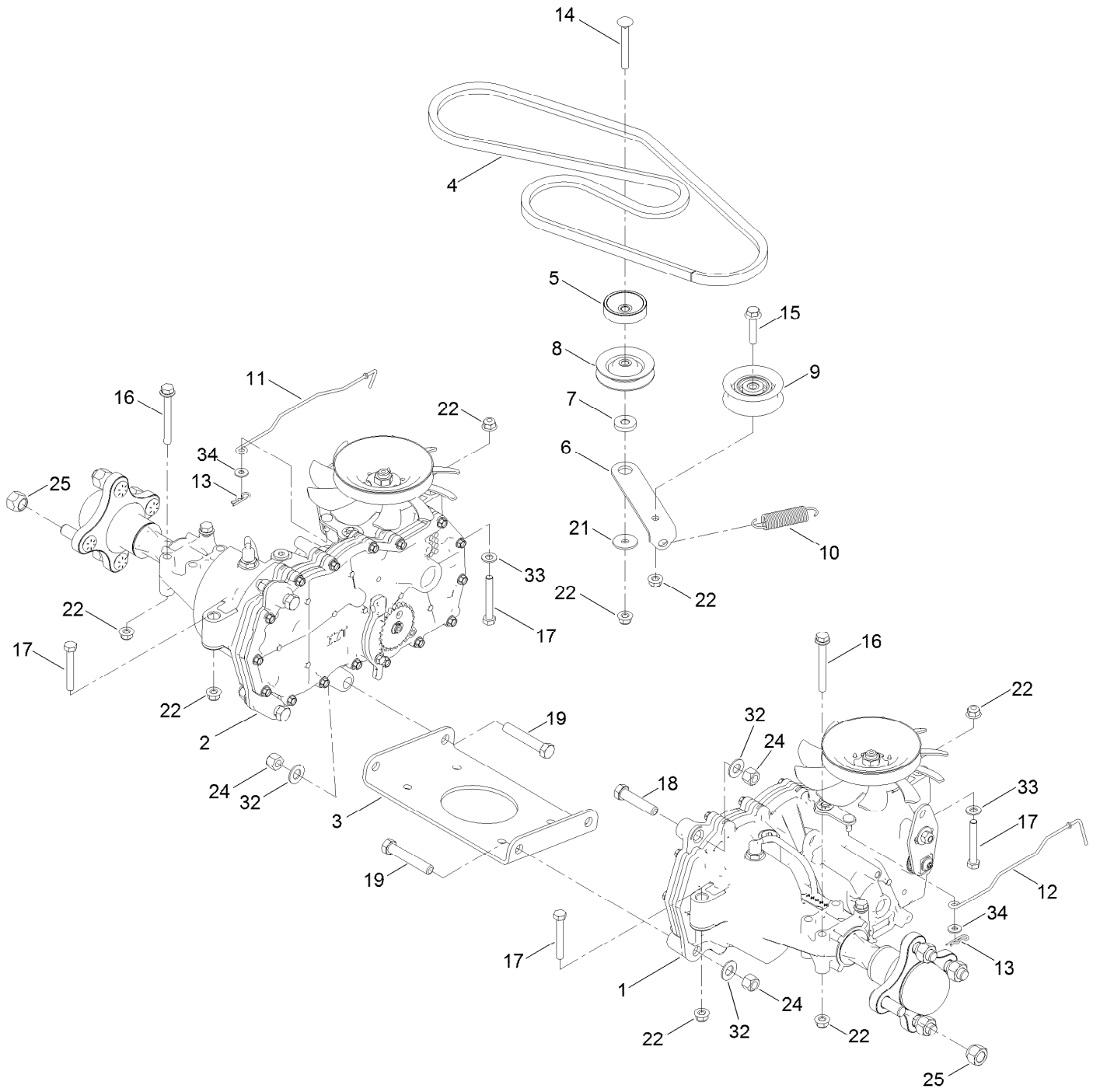




## Caster and Wheel Assembly (continued)

| <i>Ref.</i> | <i>Part Number</i> | <i>Qty.</i> | <i>Description</i> | <i>Ref.</i> | <i>Part Number</i> | <i>Qty.</i> | <i>Description</i> |
|-------------|--------------------|-------------|--------------------|-------------|--------------------|-------------|--------------------|
| 1           | 138-9839-01        | 2           | Fork ASM           | 5           | 138-9803           | 2           | Spacer-Spanner     |
| 2           | 139-5843           | 2           | Tire ASM           | 6           | 139-2609           | 2           | Screw-HH           |
| 2:1         | 138-7553           | 1           | Tire               | 7           | 139-2617           | 2           | Nut-Lock, NI       |
| 2:3         | 232-27             | 1           | Stem-Valve         | 8           | 115-1151           | 2           | Washer-Flat        |
| 2:4         | 114-1640           | 2           | Bushing-Flange     | 9           | 139-2598           | 2           | Screw-HHF          |
| 2:5         | 302-5              | 1           | Fitting-Grease     |             |                    |             |                    |

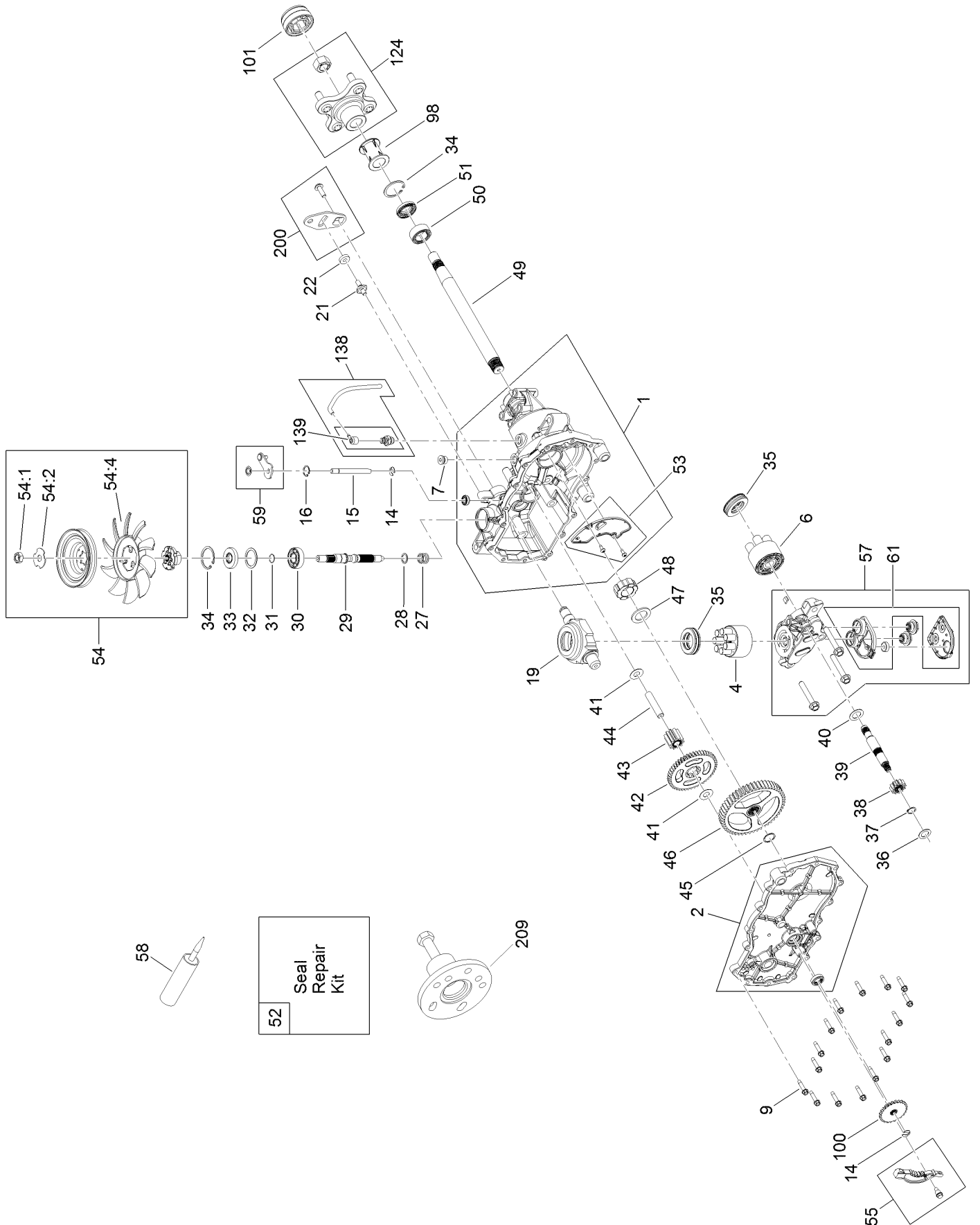
# Traction Drive Assembly



## Traction Drive Assembly (continued)

| <i>Ref.</i> | <i>Part Number</i> | <i>Qty.</i> | <i>Description</i>     | <i>Ref.</i> | <i>Part Number</i> | <i>Qty.</i> | <i>Description</i> |
|-------------|--------------------|-------------|------------------------|-------------|--------------------|-------------|--------------------|
| 1           | 139-7460           | 1           | LH Hydro Transaxle ASM | 14          | 139-2588           | 1           | Screw-CARR         |
| 2           | 139-7461           | 1           | RH Hydro Transaxle ASM | 15          | 140-5024           | 1           | Screw-HHF          |
| 3           | 138-2571-03        | 1           | Crossplate-Hydro       | 16          | 138-7590           | 4           | Screw-HHF          |
| 4           | 139-2399           | 1           | V-Belt                 | 17          | 120-9738           | 4           | Screw-HH           |
| 5           | 138-9809           | 1           | Spacer                 | 18          | 139-2605           | 2           | Screw-HH           |
| 6           | 138-7276           | 1           | Arm-Idler              | 19          | 139-2603           | 4           | Screw-HH           |
| 7           | 138-7277           | 1           | Spacer-Arm, Idler      | 21          | 5-4460             | 1           | Washer-Pivot       |
| 8           | 68-0030            | 1           | Idler                  | 22          | 119-4041           | 10          | Nut-HF             |
| 9           | 138-7597           | 1           | Pulley-Idler, Flat     | 24          | 119-4039           | 6           | Nut-Hex, NI        |
| 10          | 137-7040           | 1           | Spring-Return, Pedal   | 25          | 139-2564           | 8           | Nut-Lug            |
| 11          | 138-7245           | 1           | Rod-Bypass, RH         | 32          | 139-2610           | 6           | Washer-Flat        |
| 12          | 138-7243           | 1           | Rod-Bypass, LH         | 33          | 120-9683           | 2           | Washer-Plain       |
| 13          | 137-3083           | 2           | Pin-Hair               | 34          | 119-8952           | 2           | Washer             |

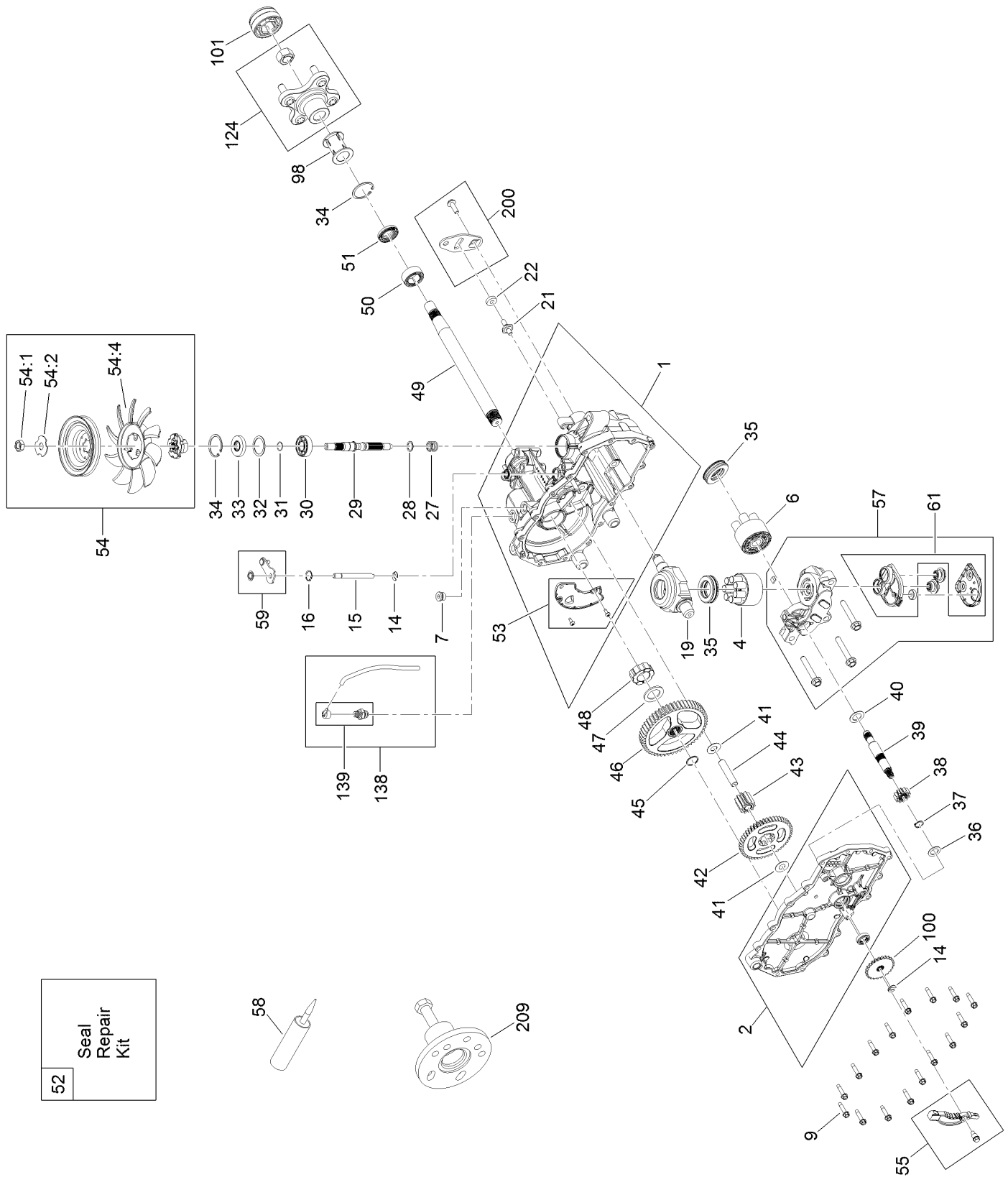
# LH Transaxle Assembly No. 139-7460



## LH Transaxle Assembly No. 139-7460 (continued)

| <i>Ref.</i> | <i>Part Number</i> | <i>Qty.</i> | <i>Description</i>       | <i>Ref.</i> | <i>Part Number</i> | <i>Qty.</i> | <i>Description</i>        |
|-------------|--------------------|-------------|--------------------------|-------------|--------------------|-------------|---------------------------|
| 1           | 106-8695           | 1           | Main Housing ASM         | 43          | 104-5318           | 1           | Gear-Jackshaft, 10T       |
| 2           | 106-8696           | 1           | Side ASM                 | 44          | 104-5329           | 1           | Pin-Jackshaft             |
| 4           | 110-8561           | 1           | Pump Block ASM           | 45          | 112-9854           | 1           | Ring-Spiral, Retaining    |
| 6           | 103-2666           | 1           | Cylinder Block Kit       | 46          | 112-9855           | 1           | Gear-52T, Bull            |
| 7           | 104-2189           | 1           | Plug-Thread, Straight    | 47          | 112-9856           | 1           | Washer                    |
| 9           | 104-5305           | 16          | Screw-HHF                | 48          | 112-9857           | 1           | Bearing-Sleeve            |
| 14          | 106-8677           | 1           | Ring-Retaining, External | 49          | 120-7104           | 1           | Shaft-Axle                |
| 15          | 106-8678           | 1           | Rod-Bypass               | 50          | 112-9859           | 1           | Bushing-Axle              |
| 16          | 106-8679           | 1           | Ring-Retaining, Internal | 51          | 112-9860           | 1           | Seal-Lip                  |
| 19          | 104-5304           | 1           | Swashplate-Trunnion      | 52          | 106-8686           | 1           | Seal Kit                  |
| 21          | 104-2116           | 1           | Stud                     | 53          | 106-8697           | 1           | Expansion Plate Kit       |
| 22          | 112-9853           | 1           | Puck-Friction            | 54          | 135-7349           | 1           | Fan And Pulley Kit        |
| 27          | 94-1936            | 1           | Spring-Block             | 54:1        | 116-9714           | 1           | Nut-HJ                    |
| 28          | 120-5538           | 1           | Washer                   | 54:2        | 116-9708           | 1           | Washer-Slotted            |
| 29          | 104-5306           | 1           | Shaft-Input              | 54:4        | 135-7364           | 1           | Fan 7.0 X 10 Blade        |
| 30          | 104-5311           | 1           | Bearing-Ball             | 55          | 106-8688           | 1           | Brake Arm Kit             |
| 31          | 104-5307           | 1           | Ring-Retaining           | 57          | 112-9861           | 1           | Center Section Filter Kit |
| 32          | 104-5308           | 1           | Spacer                   | 58          | 104-2147           | 1           | Sealant                   |
| 33          | 104-5310           | 1           | Seal-Lip                 | 59          | 120-5549           | 1           | Bypass Kit                |
| 34          | 104-5309           | 2           | Ring-Retaining           | 61          | 114-1634           | 1           | Filter Kit                |
| 35          | 94-6922            | 2           | Bearing-Thrust           | 98          | 120-7109           | 1           | Tube-Axle                 |
| 36          | 104-5339           | 1           | Washer-Flat              | 100         | 106-8694           | 1           | Disc-Brake, Cog           |
| 37          | 104-5340           | 1           | Ring-Retaining           | 101         | 115-5057           | 1           | Cover-Nut, Axle           |
| 38          | 104-5316           | 1           | Gear-Pinnion, 13T        | 124         | 109-5939           | 1           | Hub Kit                   |
| 39          | 106-8683           | 1           | Shaft-Motor              | 138         | 112-9866           | 1           | Breather Kit              |
| 40          | 104-5360           | 1           | Washer                   | 139         | 114-1635           | 1           | Breather ASM              |
| 41          | 119-5541           | 2           | Washer                   | 200         | 117-5362           | 1           | Control Arm Kit           |
| 42          | 104-5317           | 1           | Gear-10T/48T             | 209         | 114-8467           | 1           | Puller-Hub, 4 Bolt        |

# RH Transaxle Assembly No. 139-7461



## RH Transaxle Assembly No. 139-7461 (continued)

| <i>Ref.</i> | <i>Part Number</i> | <i>Qty.</i> | <i>Description</i>       | <i>Ref.</i> | <i>Part Number</i> | <i>Qty.</i> | <i>Description</i>        |
|-------------|--------------------|-------------|--------------------------|-------------|--------------------|-------------|---------------------------|
| 1           | 106-8674           | 1           | Main Housing ASM         | 43          | 104-5318           | 1           | Gear-Jackshaft, 10T       |
| 2           | 106-8675           | 1           | Side ASM                 | 44          | 104-5329           | 1           | Pin-Jackshaft             |
| 4           | 110-8561           | 1           | Pump Block ASM           | 45          | 112-9854           | 1           | Ring-Spiral, Retaining    |
| 6           | 103-2666           | 1           | Cylinder Block Kit       | 46          | 112-9855           | 1           | Gear-52T, Bull            |
| 7           | 104-2189           | 1           | Plug-Thread, Straight    | 47          | 112-9856           | 1           | Washer                    |
| 9           | 104-5305           | 16          | Screw-HHF                | 48          | 112-9857           | 1           | Bearing-Sleeve            |
| 14          | 106-8677           | 1           | Ring-Retaining, External | 49          | 120-7104           | 1           | Shaft-Axle                |
| 15          | 106-8678           | 1           | Rod-Bypass               | 50          | 112-9859           | 1           | Bushing-Axle              |
| 16          | 106-8679           | 1           | Ring-Retaining, Internal | 51          | 112-9860           | 1           | Seal-Lip                  |
| 19          | 104-5304           | 1           | Swashplate-Trunnion      | 52          | 106-8686           | 1           | Seal Kit                  |
| 21          | 104-2116           | 1           | Stud                     | 53          | 106-8697           | 1           | Expansion Plate Kit       |
| 22          | 112-9853           | 1           | Puck-Friction            | 54          | 135-7349           | 1           | Fan And Pulley Kit        |
| 27          | 94-1936            | 1           | Spring-Block             | 54:1        | 116-9714           | 1           | Nut-HJ                    |
| 28          | 120-5538           | 1           | Washer                   | 54:2        | 116-9708           | 1           | Washer-Slotted            |
| 29          | 104-5306           | 1           | Shaft-Input              | 54:4        | 135-7364           | 1           | Fan 7.0 X 10 Blade        |
| 30          | 104-5311           | 1           | Bearing-Ball             | 55          | 106-8688           | 1           | Brake Arm Kit             |
| 31          | 104-5307           | 1           | Ring-Retaining           | 57          | 112-9862           | 1           | Center Section Filter Kit |
| 32          | 104-5308           | 1           | Spacer                   | 58          | 104-2147           | 1           | Sealant                   |
| 33          | 104-5310           | 1           | Seal-Lip                 | 59          | 107-2489           | 1           | Bypass Arm Kit            |
| 34          | 104-5309           | 2           | Ring-Retaining           | 61          | 114-1634           | 1           | Filter Kit                |
| 35          | 94-6922            | 2           | Bearing-Thrust           | 98          | 120-7109           | 1           | Tube-Axle                 |
| 36          | 104-5339           | 1           | Washer-Flat              | 100         | 106-8694           | 1           | Disc-Brake, Cog           |
| 37          | 104-5340           | 1           | Ring-Retaining           | 101         | 115-5057           | 1           | Cover-Nut, Axle           |
| 38          | 104-5316           | 1           | Gear-Pinnion, 13T        | 124         | 109-5939           | 1           | Hub Kit                   |
| 39          | 106-8683           | 1           | Shaft-Motor              | 138         | 112-9866           | 1           | Breather Kit              |
| 40          | 104-5360           | 1           | Washer                   | 139         | 114-1635           | 1           | Breather ASM              |
| 41          | 119-5541           | 2           | Washer                   | 200         | 117-5362           | 1           | Control Arm Kit           |
| 42          | 104-5317           | 1           | Gear-10T/48T             | 209         | 114-8467           | 1           | Puller-Hub, 4 Bolt        |

# Brake Assembly

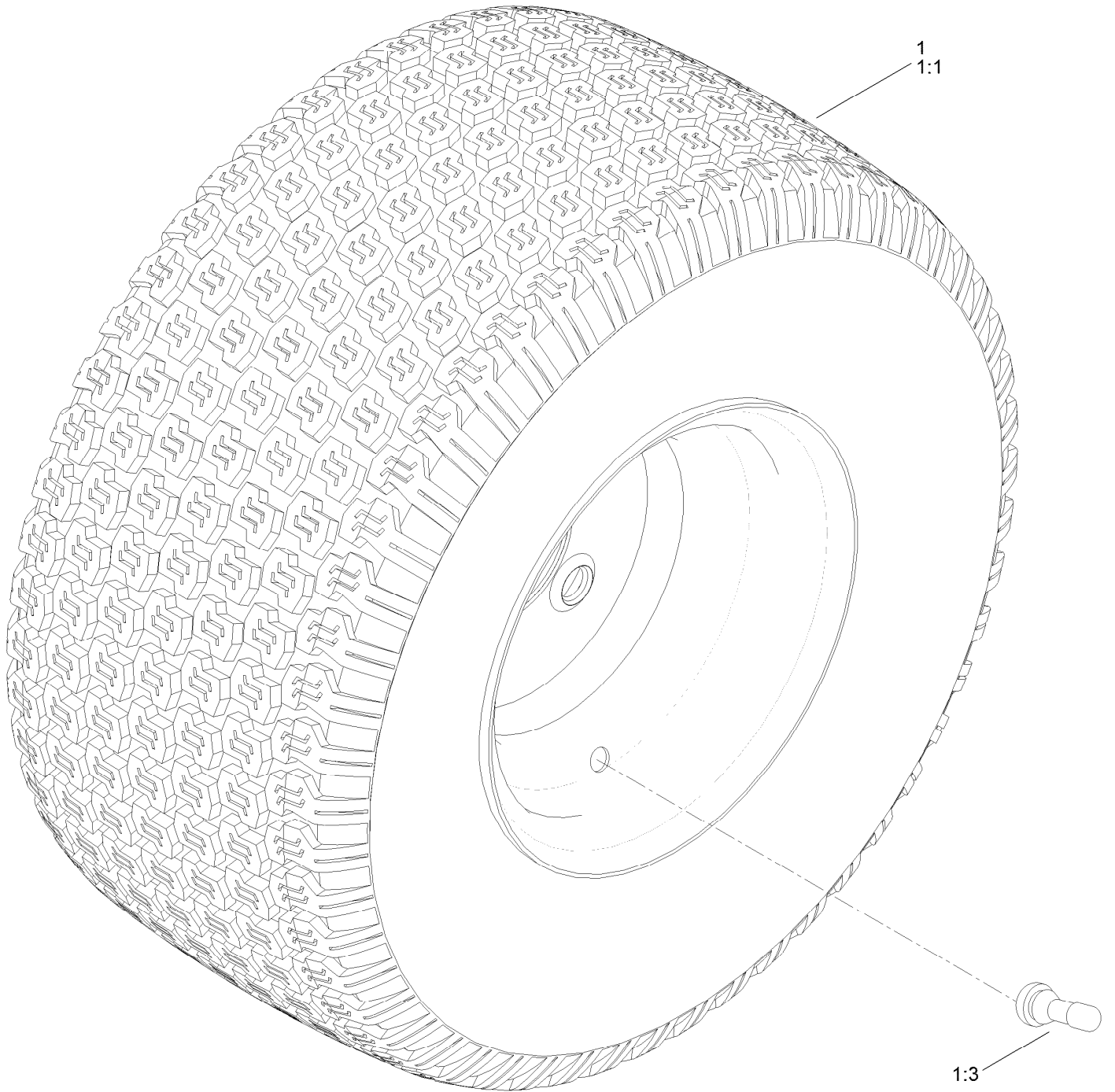




## Brake Assembly (continued)

| <i>Ref.</i> | <i>Part Number</i> | <i>Qty.</i> | <i>Description</i>   | <i>Ref.</i> | <i>Part Number</i> | <i>Qty.</i> | <i>Description</i> |
|-------------|--------------------|-------------|----------------------|-------------|--------------------|-------------|--------------------|
| 1           | 138-2514           | 1           | Brake Box ASM        | 7           | 137-3083           | 2           | Pin-Hair           |
| 2           | 133-9284-03        | 1           | Bracket-Mount, Brake | 8           | 32144-36           | 4           | Screw-PPH          |
| 3           | 138-2591           | 1           | Rod-Brake, LH        | 9           | 32144-4            | 2           | Screw-HWH          |
| 4           | 138-2592           | 1           | Rod-Brake, RH        | 10          | 119-8952           | 6           | Washer             |
| 5           | 117-1169           | 4           | Spring-Compression   | 11          | 137-3088           | 2           | Nut-Hex            |

# Rear Tire Assembly

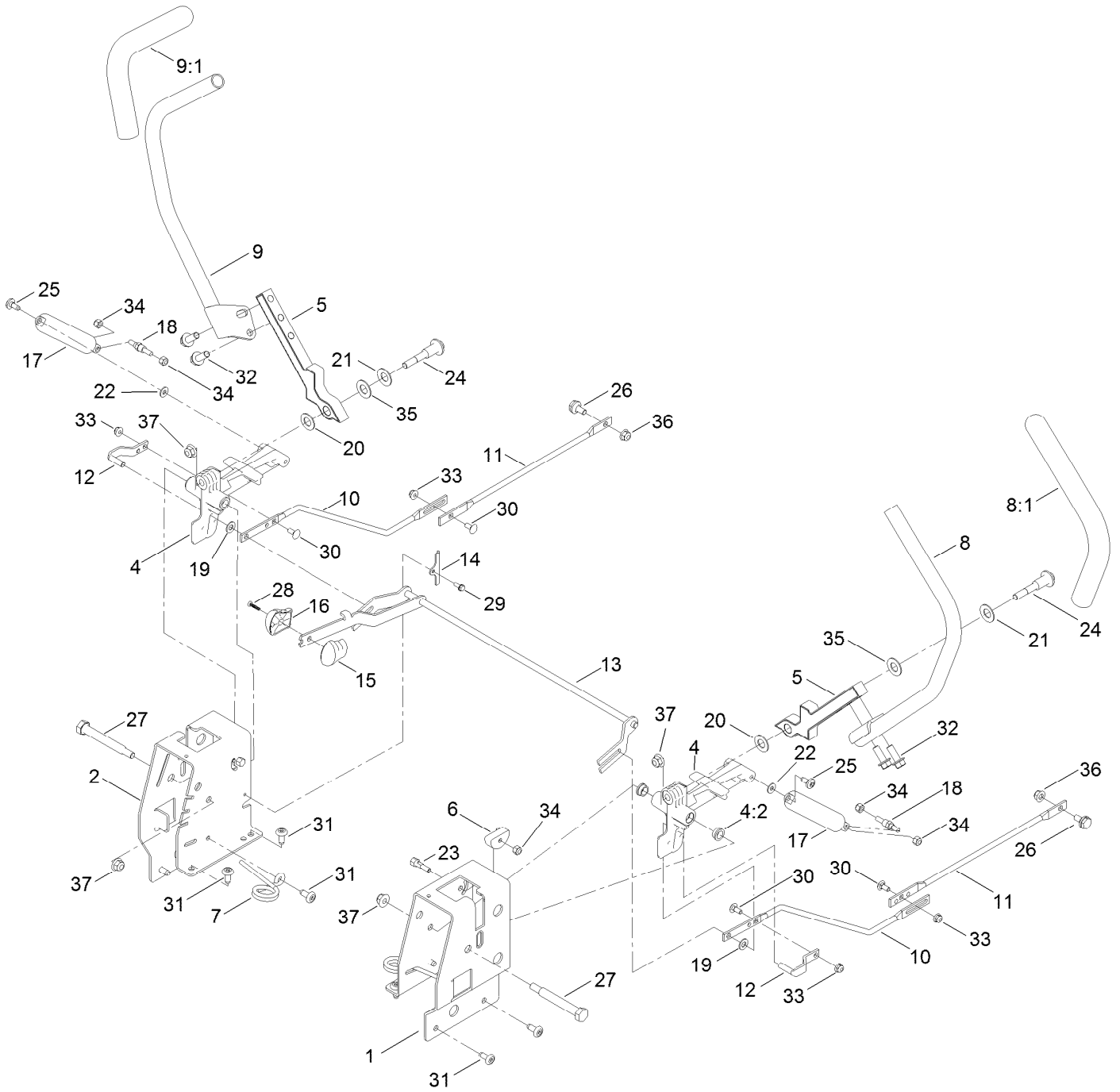


## Rear Tire Assembly (continued)

| <i>Ref.</i> | <i>Part Number</i> | <i>Qty.</i> | <i>Description</i> | <i>Ref.</i> | <i>Part Number</i> | <i>Qty.</i> | <i>Description</i> |
|-------------|--------------------|-------------|--------------------|-------------|--------------------|-------------|--------------------|
| 1           | 139-5847           | 2           | Tire ASM           | 1:3         | 232-27             | 1           | Stem-Valve         |
| 1:1         | 140-2731           | 1           | Tire               | 1:99        | 232-37             | 1           | Tube ●             |

● Not illustrated

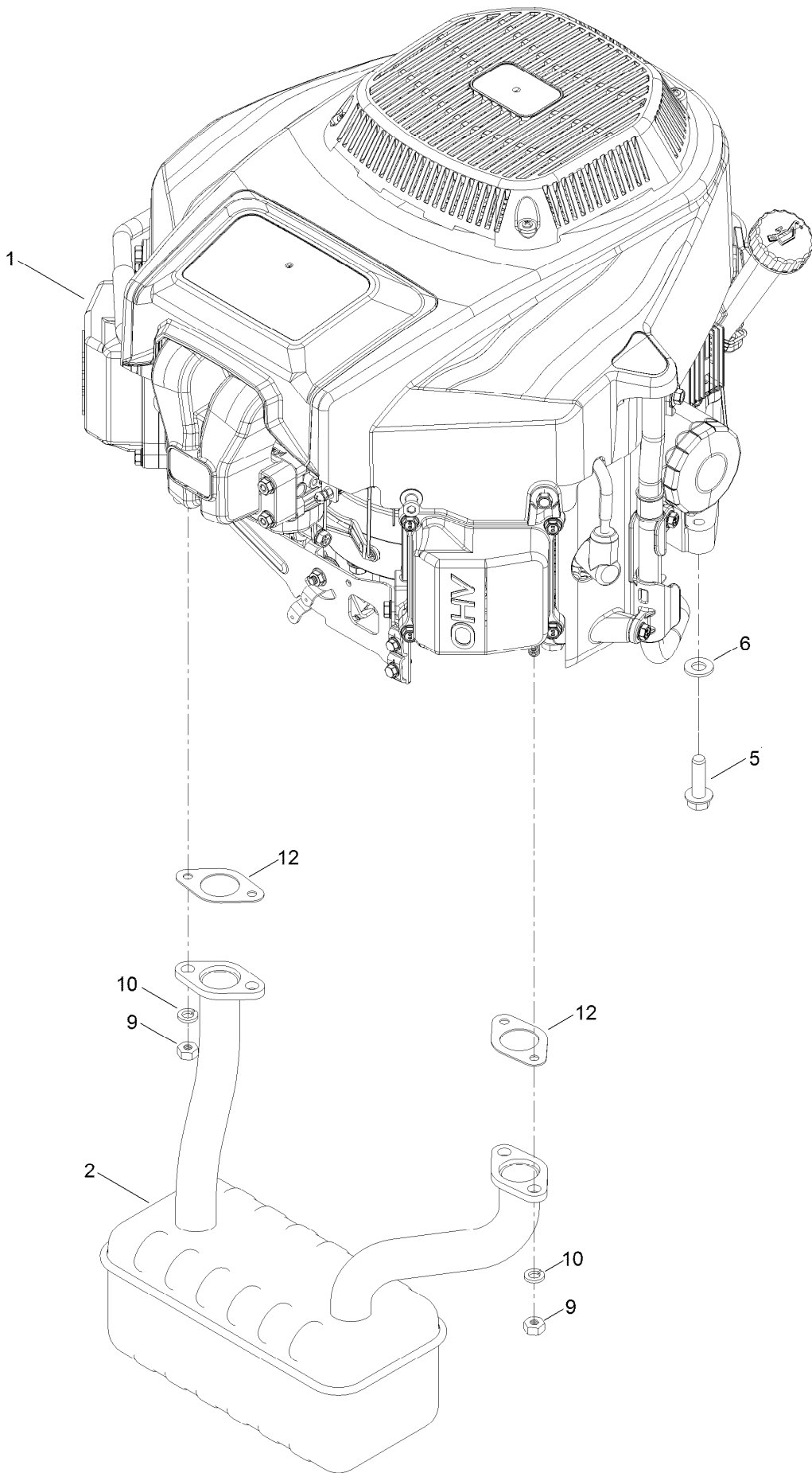
# Motion Control Assembly



## Motion Control Assembly (continued)

| <i>Ref.</i> | <i>Part Number</i> | <i>Qty.</i> | <i>Description</i>    | <i>Ref.</i> | <i>Part Number</i> | <i>Qty.</i> | <i>Description</i>    |
|-------------|--------------------|-------------|-----------------------|-------------|--------------------|-------------|-----------------------|
| 1           | 138-7598-03        | 1           | Plate-Control Box, LH | 19          | 93-6079            | 2           | Spacer-Nylon          |
| 2           | 138-7599-03        | 1           | Plate-Control Box, RH | 20          | 120-2273           | 2           | Washer-Nylon          |
| 4           | 119-3470           | 2           | Actuator Arm ASM      | 21          | 119-8925           | 2           | Washer-Belleville     |
| 4:2         | 256-156            | 2           | Bushing-Flange        | 22          | 119-8952           | 2           | Washer                |
| 5           | 133-9299-05        | 2           | Arm-Control           | 23          | 139-5811           | 2           | Bolt-Pivot, Eccentric |
| 6           | 139-5803           | 2           | Eccentric             | 24          | 139-2556           | 2           | Bolt-Pivot            |
| 7           | 138-7539           | 2           | Spring-Torsion        | 25          | 120-7950           | 2           | Screw-Torx            |
| 8           | 133-7055           | 1           | Handle-Control, LH    | 26          | 37-8771            | 2           | Bolt-Shoulder, HF     |
| 8:1         | 121-0726           | 1           | Grip                  | 27          | 115-5099           | 2           | Bolt-Pivot            |
| 9           | 133-7057           | 1           | Handle-Control, RH    | 28          | 94-4496            | 1           | Screw-PPH             |
| 9:1         | 121-0726           | 1           | Grip                  | 29          | 139-1713           | 2           | Screw-Taptite         |
| 10          | 138-2580           | 2           | Rod-Hydro, Front      | 30          | 100-1445           | 4           | Bolt-CARR             |
| 11          | 138-2579           | 2           | Rod-Hydro, Rear       | 31          | 138-9753           | 10          | Screw                 |
| 12          | 121-1753           | 2           | Pin-Rod, Hydro        | 32          | 139-2597           | 4           | Screw-HHF             |
| 13          | 138-9750           | 1           | Speed Control ASM     | 33          | 137-3005           | 4           | Nut-HF                |
| 14          | 138-7541           | 2           | Plate-Retainer        | 34          | 137-3088           | 6           | Nut-Hex               |
| 15          | 132-9368           | 1           | Knob-RH               | 35          | 117-1240           | 2           | Washer                |
| 16          | 132-9369           | 1           | Knob-LH               | 36          | 119-4041           | 2           | Nut-HF                |
| 17          | 132-6853           | 2           | Damper-Non Cavitating | 37          | 104-8301           | 4           | Nut-HF, NI            |
| 18          | 138-7215           | 2           | Stud-Damper           |             |                    |             |                       |

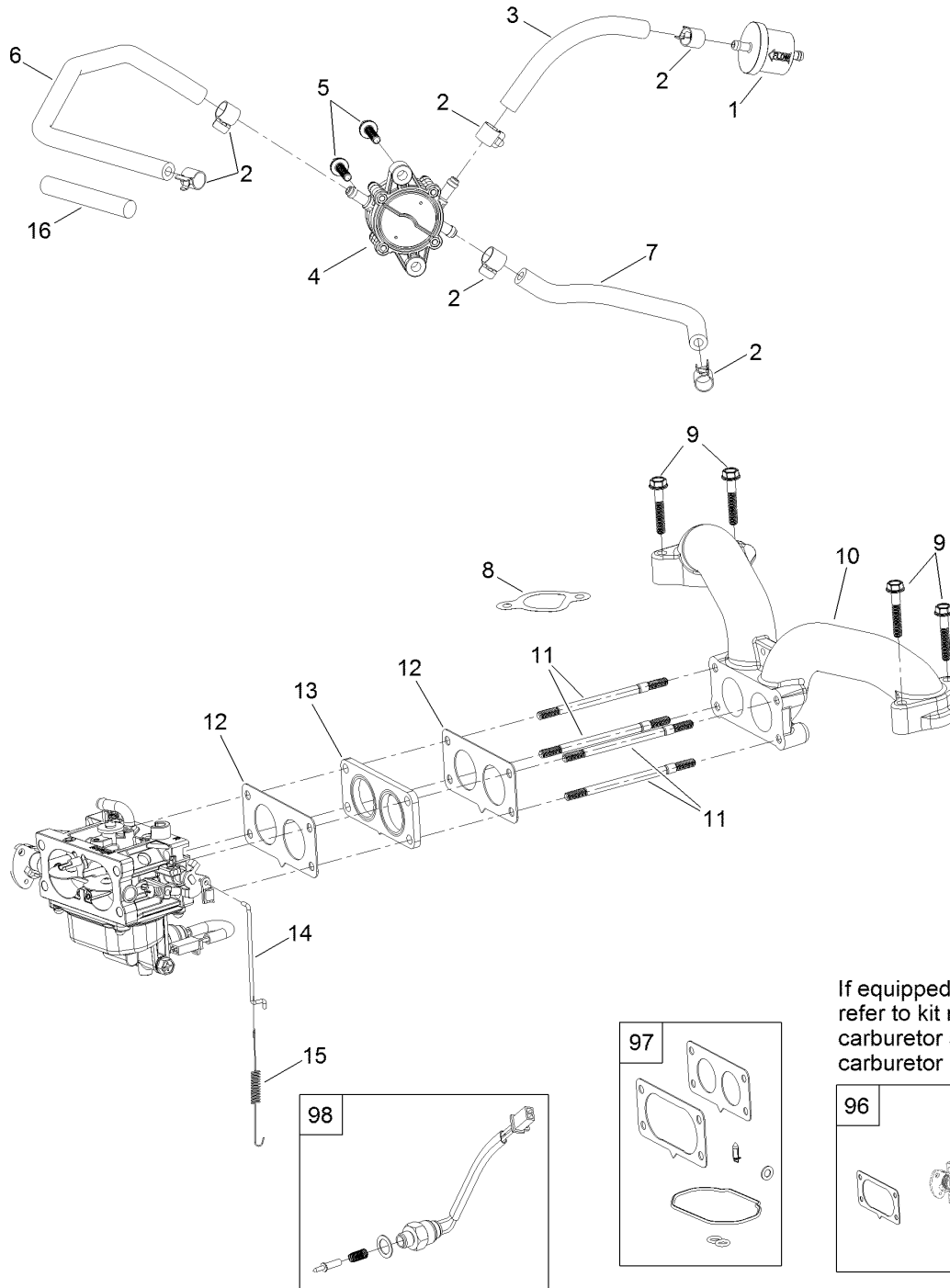
# Engine and Muffler Assembly



## Engine and Muffler Assembly (continued)

| <i>Ref.</i> | <i>Part Number</i> | <i>Qty.</i> | <i>Description</i> | <i>Ref.</i> | <i>Part Number</i> | <i>Qty.</i> | <i>Description</i> |
|-------------|--------------------|-------------|--------------------|-------------|--------------------|-------------|--------------------|
| 1           | 139-0603           | 1           | Engine-2P77F       | 9           | 121-0199           | 4           | Nut-HH             |
| 2           | 139-5865           | 1           | Muffler            | 10          | 127-9279           | 4           | Washer-Lock, Split |
| 5           | 139-2576           | 4           | Screw-HWH          | 12          | 120-4317           | 2           | Gasket-Exhaust     |
| 6           | 115-1166           | 3           | Washer-Flat        |             |                    |             |                    |

# Fuel System Assembly with Non-Canister Style Air Filter



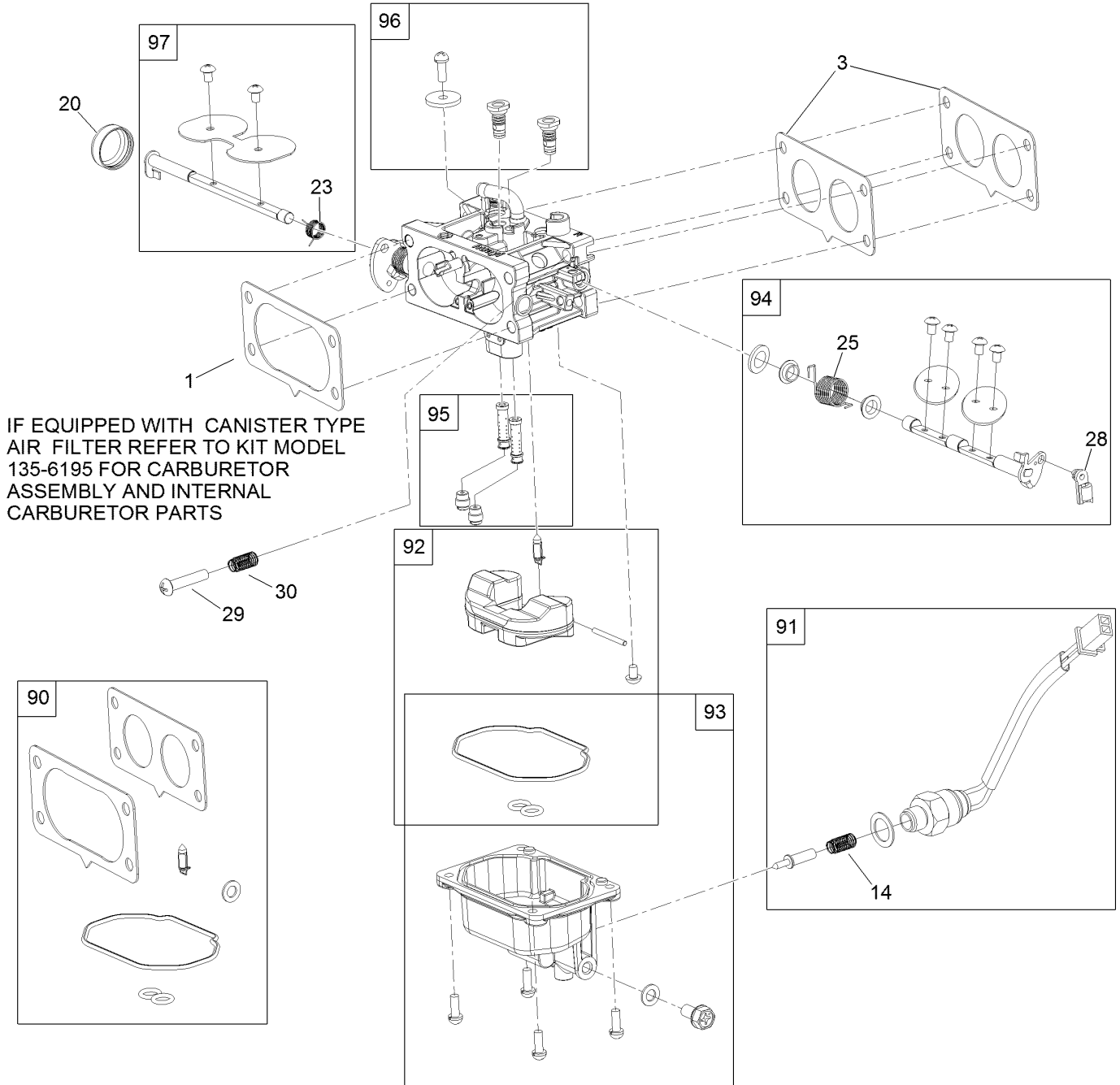


## Fuel System Assembly with Non-Canister Style Air Filter (continued)

| <i>Ref.</i> | <i>Part Number</i> | <i>Qty.</i> | <i>Description</i> | <i>Ref.</i> | <i>Part Number</i> | <i>Qty.</i> | <i>Description</i>         |
|-------------|--------------------|-------------|--------------------|-------------|--------------------|-------------|----------------------------|
| 1           | 133-1563           | 1           | Filter-Fuel        | 11          | 127-9245           | 4           | Stud                       |
| 2           | 120-4251           | 6           | Clamp-Fuel Line    | 12          | 127-9246           | 2           | Gasket-Carburetor          |
| 3           | 120-4371           | 1           | Line-Fuel          | 13          | 127-9247           | 1           | Insulator-Carburetor       |
| 4           | 127-9206           | 1           | Pump-Fuel          | 14          | 133-9963           | 1           | Linkage-Throttle           |
| 5           | 120-4225           | 2           | Screw-HHF          | 15          | 133-9964           | 1           | Spring-Return, Throttle    |
| 6           | 127-9205           | 1           | Hose-Fuel          | 16          | 127-9355           | 1           | Sleeve-Fuel Line Protector |
| 7           | 127-9207           | 1           | Hose-Fuel          | 96          | 136-7840           | 1           | Carburetor Replacement Kit |
| 8           | 127-9230           | 2           | Gasket-Intake      | 97          | 127-9290           | 1           | Carburetor Repair Kit      |
| 9           | 120-4284           | 4           | Screw-HHF          | 98          | 127-9292           | 1           | Solenoid Kit               |
| 10          | 127-9244           | 1           | Manifold-Intake    | 99          | 136-7837           | 1           | High Altitude Kit ●        |

● Not illustrated

# Carburetor Assembly

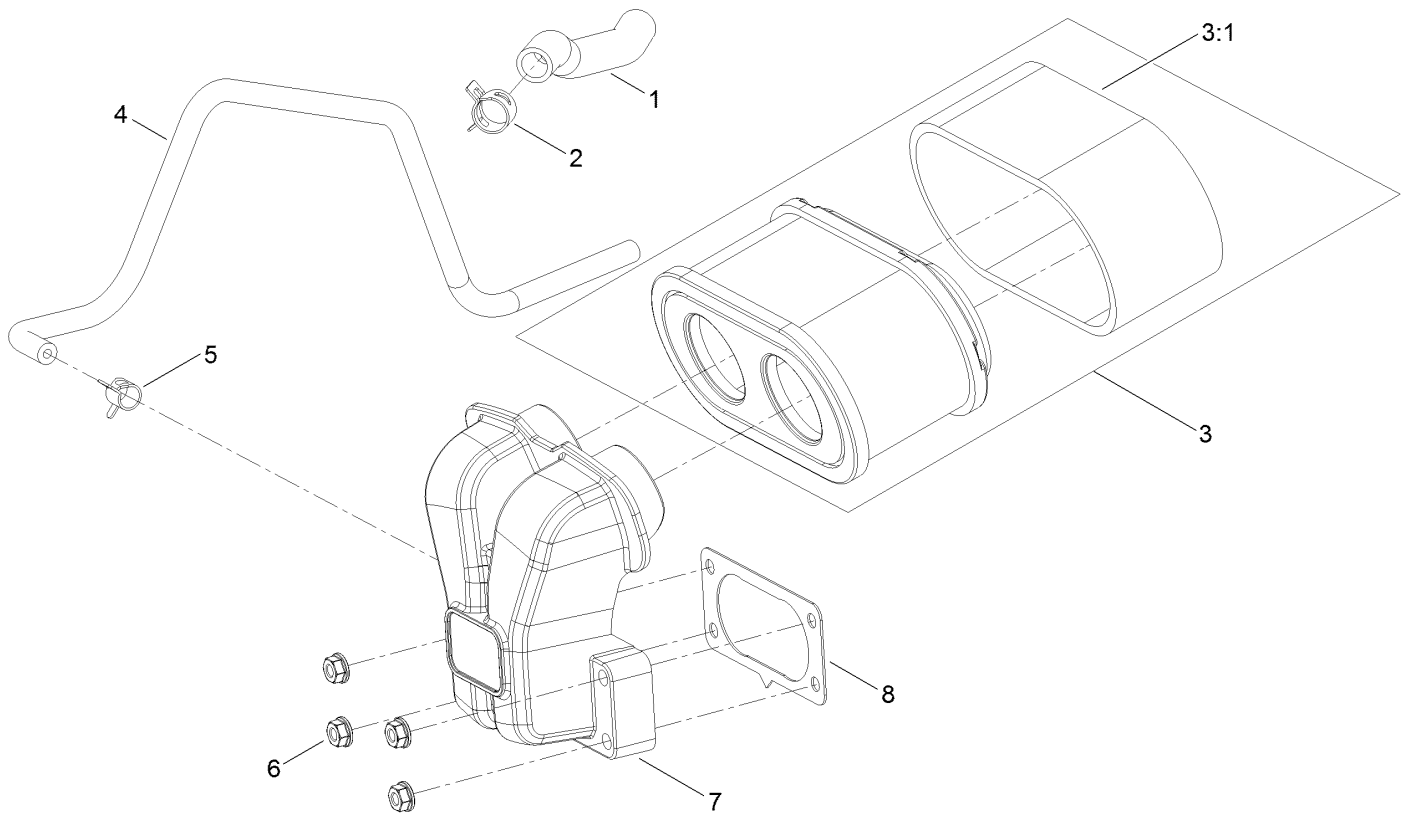


## Carburetor Assembly (continued)

| <i>Ref.</i> | <i>Part Number</i> | <i>Qty.</i> | <i>Description</i> | <i>Ref.</i> | <i>Part Number</i> | <i>Qty.</i> | <i>Description</i>    |
|-------------|--------------------|-------------|--------------------|-------------|--------------------|-------------|-----------------------|
| 1           | 127-9251           | 1           | Gasket-Carburetor  | 90          | 127-9290           | 1           | Carburetor Repair Kit |
| 3           | 127-9246           | 2           | Gasket-Carburetor  | 91          | 127-9292           | 1           | Solenoid Kit          |
| 14          | 127-9319           | 1           | Spring             | 92          | 127-9340           | 1           | Float Kit             |
| 20          | 127-9325           | 1           | Cover-Shaft, Choke | 93          | 127-9341           | 1           | Bowl Kit              |
| 23          | 127-9328           | 1           | Spring             | 94          | 133-9817           | 1           | Throttle Shaft Kit    |
| 25          | 127-9330           | 1           | Spring             | 95          | 136-7844           | 1           | Nozzle And Jet Kit    |
| 28          | 127-9333           | 1           | Clamp-Lock         | 96          | 136-7899           | 1           | Idle Jet Kit          |
| 29          | 127-9334           | 1           | Screw-PPH          | 97          | 127-9345           | 1           | Choke Shaft Kit       |
| 30          | 127-9335           | 1           | Spring             |             |                    |             |                       |

# Air Intake and Filtration Assembly

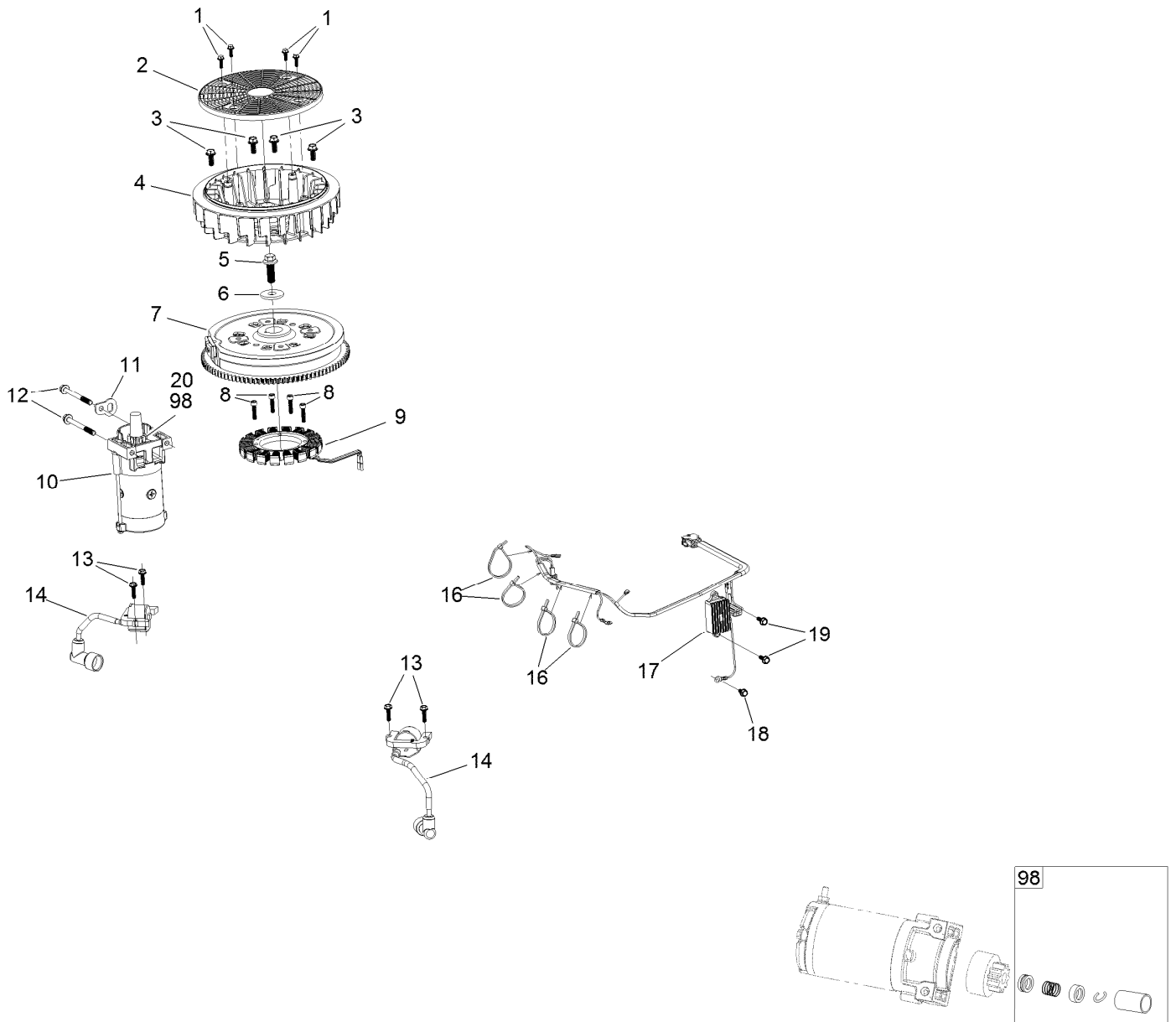
IF EQUIPPED WITH CANISTER TYPE AIR FILTER  
REFER TO KIT MODEL 135-6195 TO LOOK UP PARTS



## Air Intake and Filtration Assembly (continued)

| <i>Ref.</i> | <i>Part Number</i> | <i>Qty.</i> | <i>Description</i> | <i>Ref.</i> | <i>Part Number</i> | <i>Qty.</i> | <i>Description</i>   |
|-------------|--------------------|-------------|--------------------|-------------|--------------------|-------------|----------------------|
| 1           | 127-9235           | 1           | Tube-Breather      | 5           | 127-9187           | 1           | Clamp-Hose           |
| 2           | 127-9234           | 2           | Clamp-Hose         | 6           | 120-4236           | 4           | Nut-Flange           |
| 3           | 136-7806           | 1           | Air Filter Kit     | 7           | 127-9047           | 1           | Manifold-Filter, Air |
| 3:1         | 136-7804           | 1           | Prefilter          | 8           | 127-9251           | 1           | Gasket-Carburetor    |
| 4           | 127-9253           | 1           | Hose-Fuel          |             |                    |             |                      |

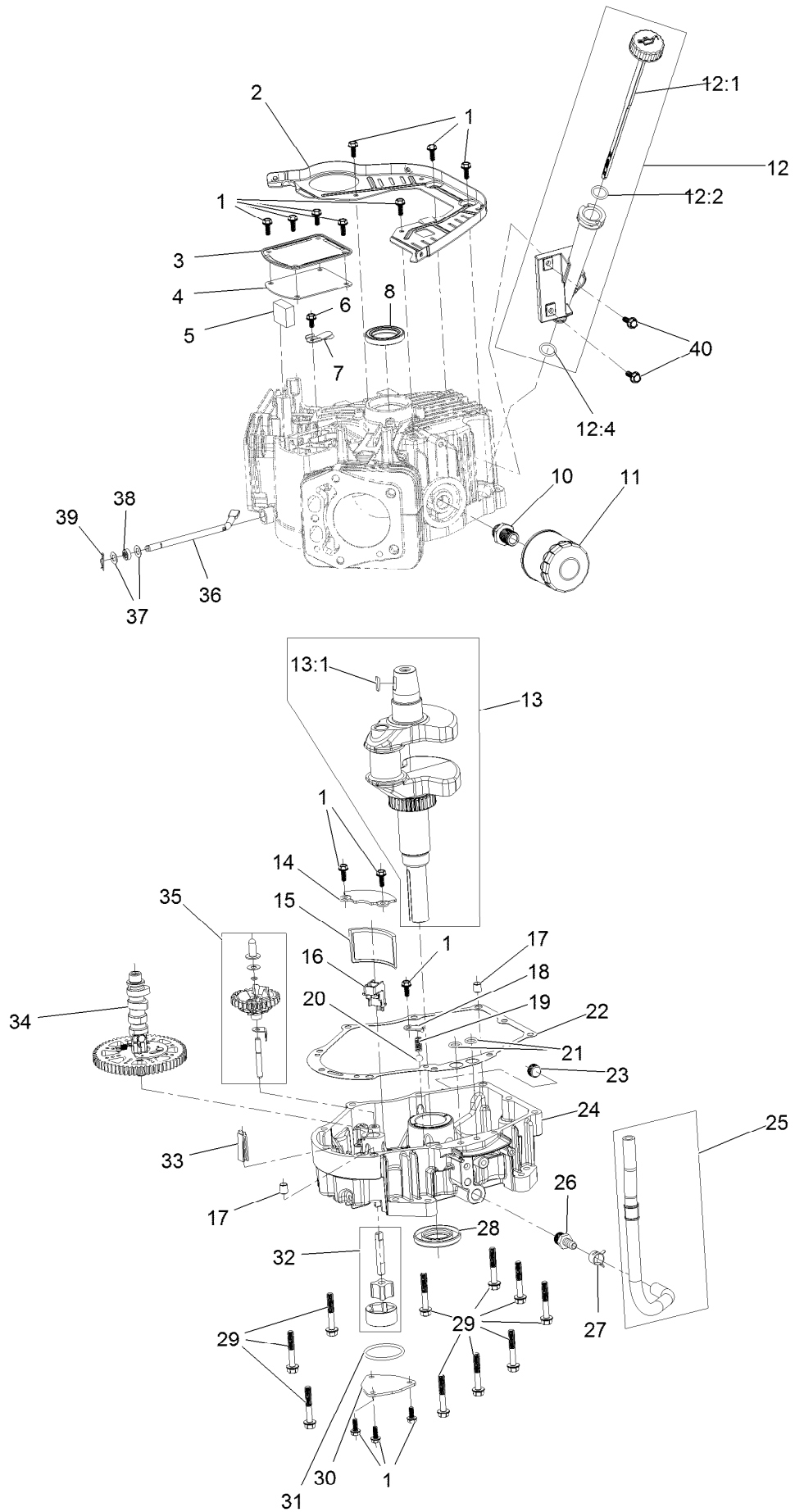
# Ignition and Cooling Fan



## Ignition and Cooling Fan (continued)

| <i>Ref.</i> | <i>Part Number</i> | <i>Qty.</i> | <i>Description</i> | <i>Ref.</i> | <i>Part Number</i> | <i>Qty.</i> | <i>Description</i>              |
|-------------|--------------------|-------------|--------------------|-------------|--------------------|-------------|---------------------------------|
| 1           | 127-9197           | 4           | Screw-HWH          | 12          | 120-4231           | 2           | Screw-HHF                       |
| 2           | 127-9198           | 1           | Screen-Rotating    | 13          | 121-0007           | 4           | Bolt-Flange                     |
| 3           | 127-9199           | 4           | Screw-HWH          | 14          | 136-7883           | 2           | Ignition Coil ASM               |
| 4           | 127-9200           | 1           | Fan-Cooling        | 16          | 127-9220           | 4           | Tie-Zip                         |
| 5           | 127-9201           | 1           | Screw-HWH          | 17          | 136-7879           | 1           | Regulator-Voltage,<br>W/Harness |
| 6           | 127-9202           | 1           | Washer-Spring      | 18          | 120-4216           | 1           | Screw-HHF                       |
| 7           | 127-9306           | 1           | Flywheel           | 19          | 120-4232           | 2           | Screw-HHF                       |
| 8           | 127-9210           | 4           | Screw-HSH          | 20          | 133-1562           | 1           | Pinion-Starter                  |
| 9           | 136-7876           | 1           | Alternator         | 98          | 133-1566           | 1           | Starter Repair Kit              |
| 10          | 136-7880           | 1           | Motor-Starter      |             |                    |             |                                 |
| 11          | 127-9208           | 1           | Bracket-Lift       |             |                    |             |                                 |

# Crankcase and Crankshaft Assembly

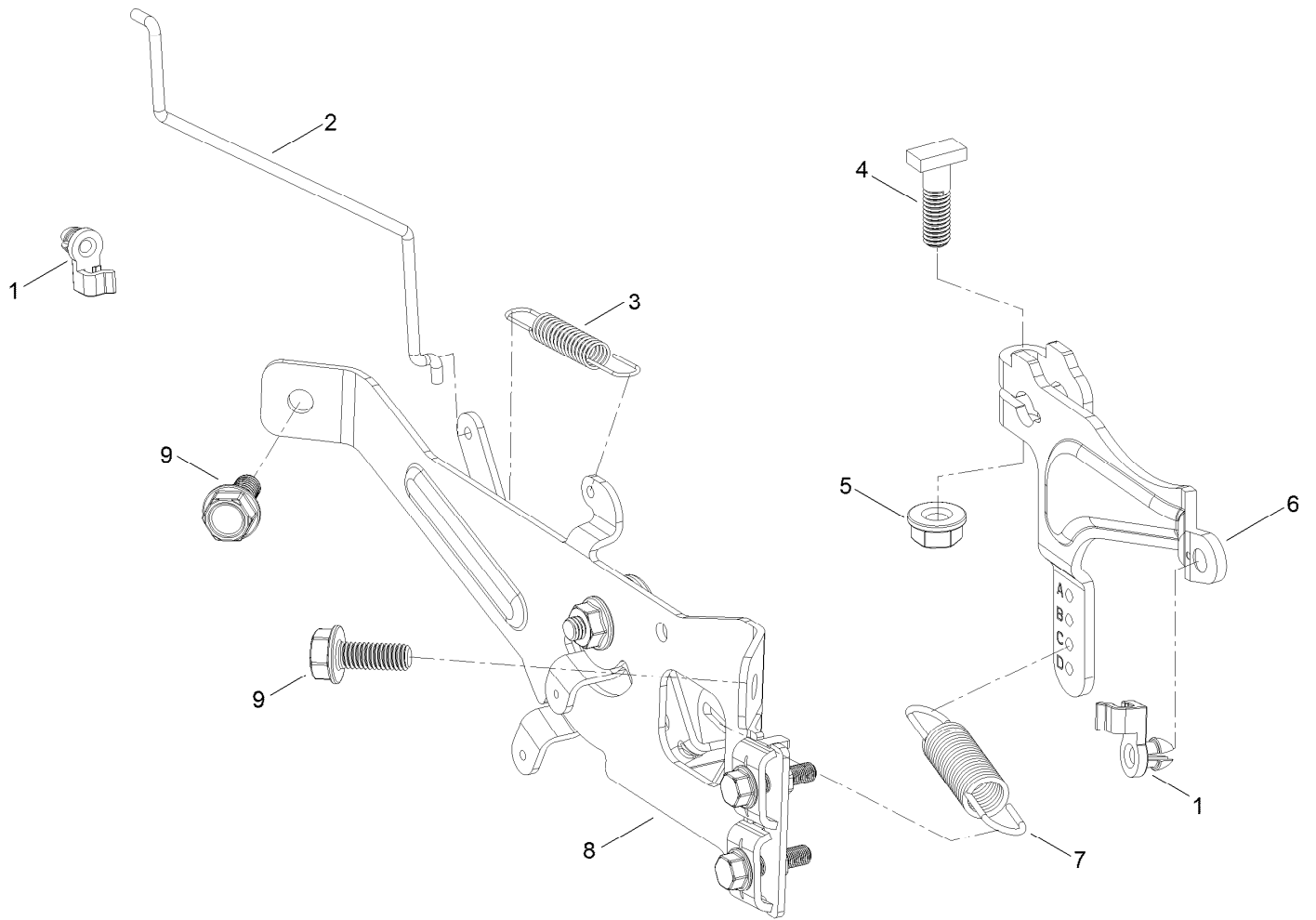




## Crankcase and Crankshaft Assembly (continued)

| <i>Ref.</i> | <i>Part Number</i> | <i>Qty.</i> | <i>Description</i>  | <i>Ref.</i> | <i>Part Number</i> | <i>Qty.</i> | <i>Description</i>      |
|-------------|--------------------|-------------|---------------------|-------------|--------------------|-------------|-------------------------|
| 1           | 120-4232           | 14          | Screw-HHF           | 20          | 127-9266           | 1           | Valve-Ball              |
| 2           | 127-9212           | 1           | Baffle              | 21          | 120-4262           | 2           | O-Ring                  |
| 3           | 127-9213           | 1           | Cover-Breather      | 22          | 127-9267           | 1           | Gasket-Cover, Crankcase |
| 4           | 127-9214           | 1           | Gasket-Breather     | 23          | 133-9805           | 1           | Plug-Drain              |
| 5           | 127-9215           | 1           | Filter-Breather     | 24          | 133-9806           | 1           | Cover-Crankcase         |
| 6           | 120-4216           | 1           | Screw-HHF           | 25          | 127-9293           | 1           | Oil Drain Hose ASM      |
| 7           | 127-9217           | 1           | Valve-Breather      | 26          | 127-9275           | 1           | Fitting-Hose            |
| 8           | 120-4267           | 1           | Seal-Oil            | 27          | 127-9276           | 1           | Clamp-Hose              |
| 10          | 136-7884           | 1           | Adaptor-Filter, Oil | 28          | 127-9271           | 1           | Seal                    |
| 11          | 136-7848           | 1           | Filter-Oil          | 29          | 121-0473           | 10          | Screw-HHF               |
| 12          | 127-9218           | 1           | Oil Tube ASM        | 30          | 127-9274           | 1           | Cover-Oil Pump          |
| 12:1        | 127-9283           | 1           | Dipstick            | 31          | 127-9273           | 1           | O-Ring                  |
| 12:2        | 127-9284           | 1           | O-Ring              | 32          | 127-9272           | 1           | Oil Pump ASM            |
| 12:4        | 127-9286           | 1           | O-Ring              | 33          | 120-4275           | 1           | Deflector-Oil, Rubber   |
| 13          | 127-9255           | 1           | Crankshaft          | 34          | 133-1568           | 1           | Camshaft                |
| 13:1        | 120-4320           | 1           | Key-Woodruff        | 35          | 136-7882           | 1           | Governor ASM            |
| 14          | 127-9261           | 1           | Cover-Screen, Oil   | 36          | 127-9238           | 1           | Shaft-Governor          |
| 15          | 127-9262           | 1           | Screen-Oil          | 37          | 120-4258           | 2           | Washer-Plain            |
| 16          | 127-9263           | 1           | Retainer-Screen     | 38          | 120-4257           | 1           | Seal-Oil                |
| 17          | 120-4274           | 2           | Pin-Dowel           | 39          | 120-4256           | 1           | Pin-Hair                |
| 18          | 127-9264           | 1           | Plate-Retainer      | 40          | 120-4232           | 2           | Screw-HHF               |
| 19          | 127-9265           | 1           | Spring              |             |                    |             |                         |

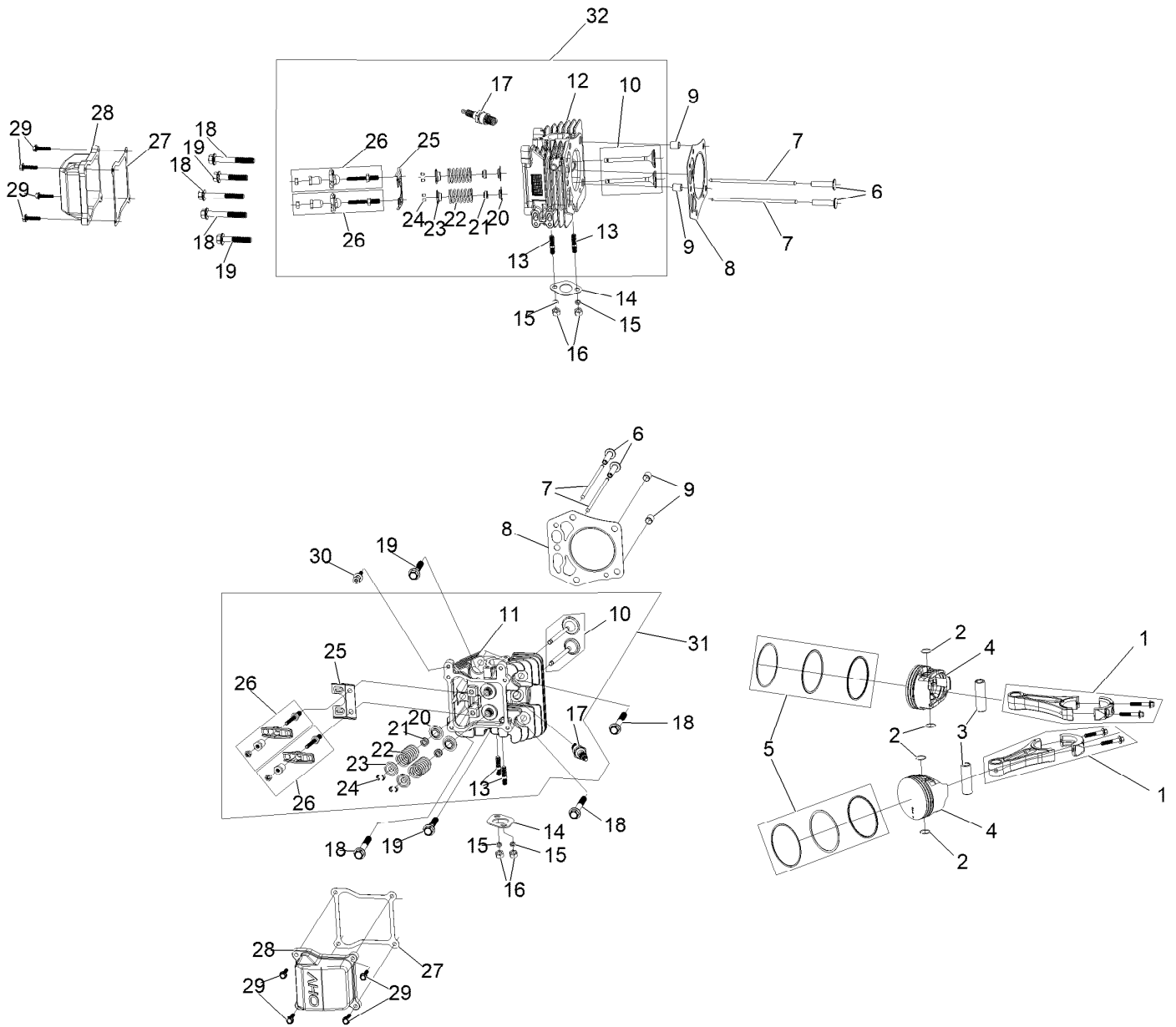
# Governor Control Assembly



## Governor Control Assembly (continued)

| <i>Ref.</i> | <i>Part Number</i> | <i>Qty.</i> | <i>Description</i> | <i>Ref.</i> | <i>Part Number</i> | <i>Qty.</i> | <i>Description</i> |
|-------------|--------------------|-------------|--------------------|-------------|--------------------|-------------|--------------------|
| 1           | 127-9250           | 2           | Clip-Linkage       | 6           | 133-9961           | 1           | Arm-Governor       |
| 2           | 127-9242           | 1           | Linkage-Choke      | 7           | 133-9962           | 1           | Spring-Governor    |
| 3           | 127-9241           | 1           | Spring-Governor    | 8           | 133-1570           | 1           | Control Plate ASM  |
| 4           | 120-4238           | 1           | Bolt-Arm, Governor | 9           | 120-4232           | 2           | Screw-HHF          |
| 5           | 120-4236           | 1           | Nut-Flange         |             |                    |             |                    |

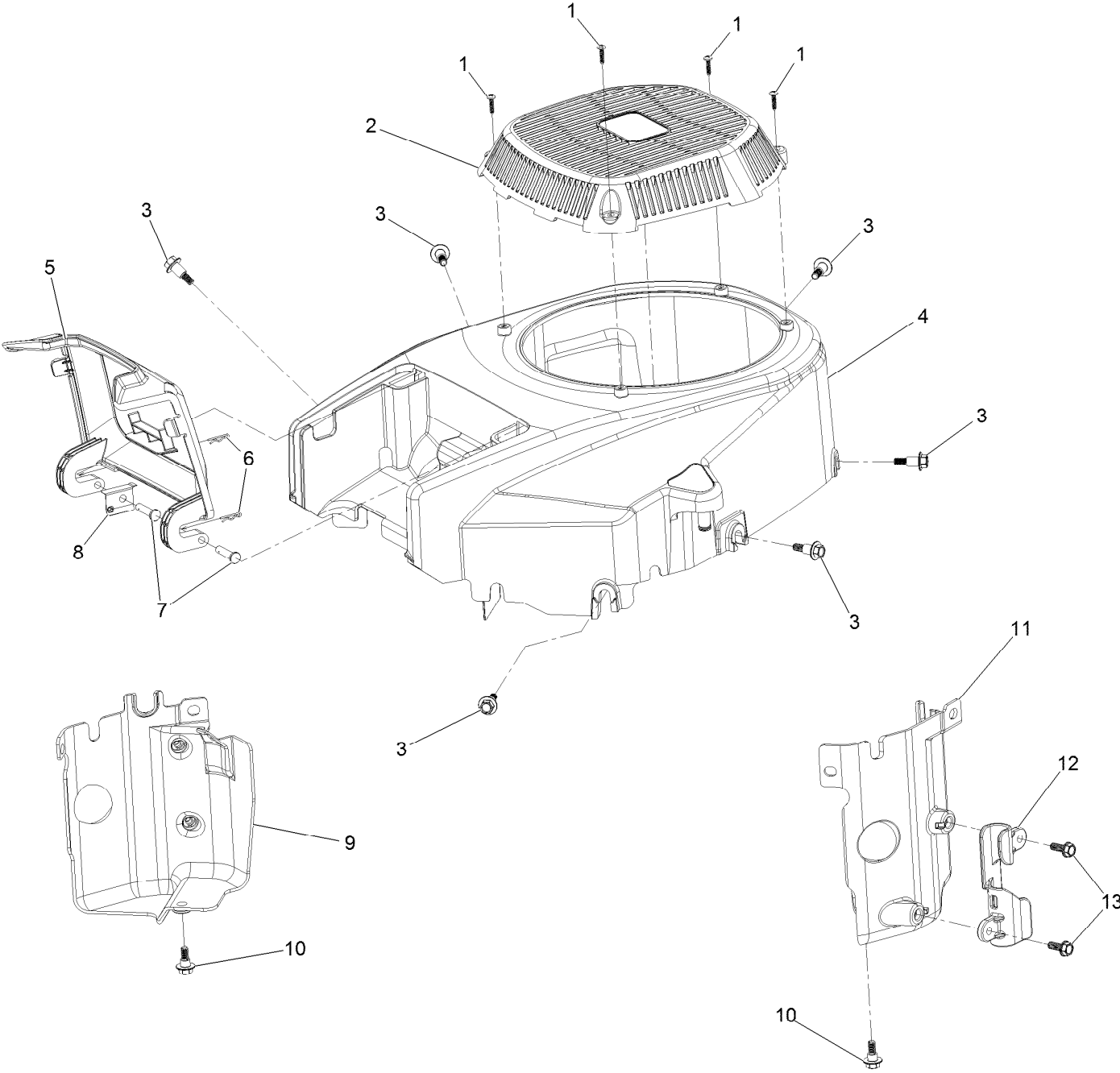
# Piston and Cylinder Head Assembly



## Piston and Cylinder Head Assembly (continued)

| <i>Ref.</i> | <i>Part Number</i> | <i>Qty.</i> | <i>Description</i>    | <i>Ref.</i> | <i>Part Number</i> | <i>Qty.</i> | <i>Description</i>      |
|-------------|--------------------|-------------|-----------------------|-------------|--------------------|-------------|-------------------------|
| 1           | 127-9256           | 2           | Connecting Rod ASM    | 17          | 81-3250            | 2           | Spark Plug              |
| 2           | 127-9258           | 4           | Clip-Pin, Piston      | 18          | 127-9231           | 6           | Screw-HWH               |
| 3           | 127-9257           | 2           | Pin-Piston            | 19          | 127-9232           | 4           | Screw-HWH               |
| 4           | 127-9259           | 2           | Piston                | 20          | 120-4303           | 4           | Seat-Spring, Valve      |
| 5           | 127-9260           | 2           | Piston Ring Set       | 21          | 120-4304           | 4           | Seal-Stem, Valve        |
| 6           | 127-9224           | 4           | Lifter-Valve          | 22          | 120-4305           | 4           | Spring-Valve            |
| 7           | 127-9225           | 4           | Rod-Push              | 23          | 120-4306           | 4           | Retainer-Spring, Valve  |
| 8           | 127-9226           | 2           | Gasket-Head, Cylinder | 24          | 120-4307           | 8           | Keeper-Valve            |
| 9           | 127-9227           | 4           | Pin-Dowel             | 25          | 127-9233           | 2           | Plate-Guide, Push Rod   |
| 10          | 127-9228           | 2           | Valve Set             | 26          | 136-7881           | 4           | Rocker Arm ASM          |
| 11          | 133-9802           | 1           | Head-Cylinder, Right  | 27          | 127-9295           | 2           | Gasket-Valve Cover      |
| 12          | 133-9804           | 1           | Head-Cylinder, Left   | 28          | 127-9050           | 2           | Cover-Valve             |
| 13          | 121-0464           | 4           | Stud-Exhaust          | 29          | 120-4225           | 8           | Screw-HHF               |
| 14          | 120-4317           | 2           | Gasket-Exhaust        | 30          | 120-4214           | 1           | Screw-Shoulder, HH      |
| 15          | 127-9279           | 4           | Washer-Lock, Split    | 31          | 136-7891           | 1           | Complete Right Head ASM |
| 16          | 121-0199           | 4           | Nut-HH                | 32          | 136-7892           | 1           | Complete Left Head ASM  |

# Blower Housing Assembly

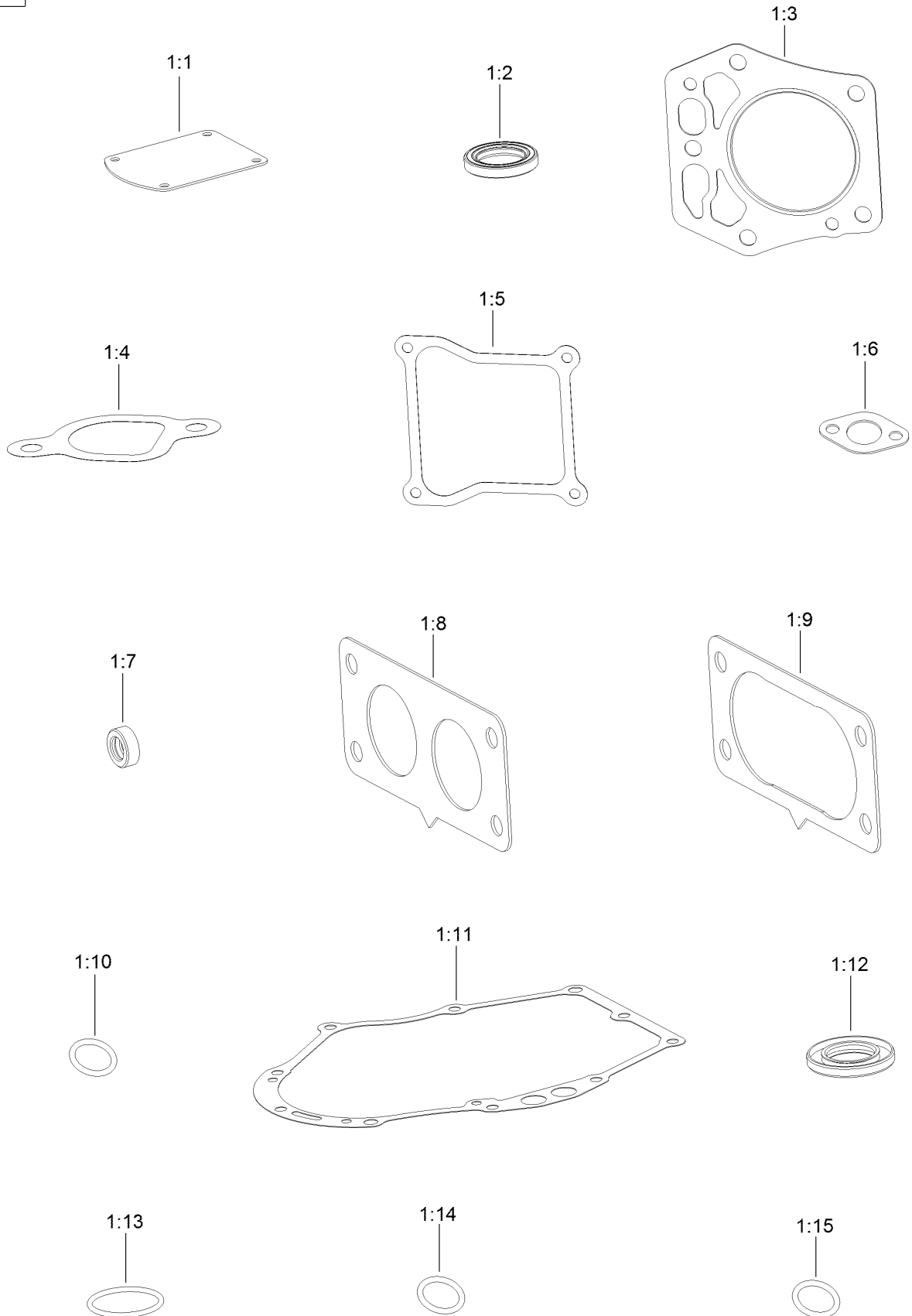


## Blower Housing Assembly (continued)

| <i>Ref.</i> | <i>Part Number</i> | <i>Qty.</i> | <i>Description</i>  | <i>Ref.</i> | <i>Part Number</i> | <i>Qty.</i> | <i>Description</i>  |
|-------------|--------------------|-------------|---------------------|-------------|--------------------|-------------|---------------------|
| 1           | 133-1571           | 4           | Screw-PPH, Plastic  | 8           | 127-9281           | 1           | Plate-Spring        |
| 2           | 127-9045           | 1           | Cover-Fan           | 9           | 136-7877           | 1           | Baffle-Air, Left    |
| 3           | 127-9196           | 6           | Screw-Shoulder, HWH | 10          | 120-4210           | 2           | Screw-Shoulder, HHF |
| 4           | 133-1572           | 1           | Shroud-Engine       | 11          | 136-7878           | 1           | Baffle-Air, Right   |
| 5           | 127-9046           | 1           | Door-Filter, Air    | 12          | 127-9287           | 1           | Cleat-Hose          |
| 6           | 127-9280           | 2           | Pin-Hair            | 13          | 120-4232           | 2           | Screw-HHF           |
| 7           | 127-9282           | 2           | Pin                 |             |                    |             |                     |

# Gasket and Seal Kit

1

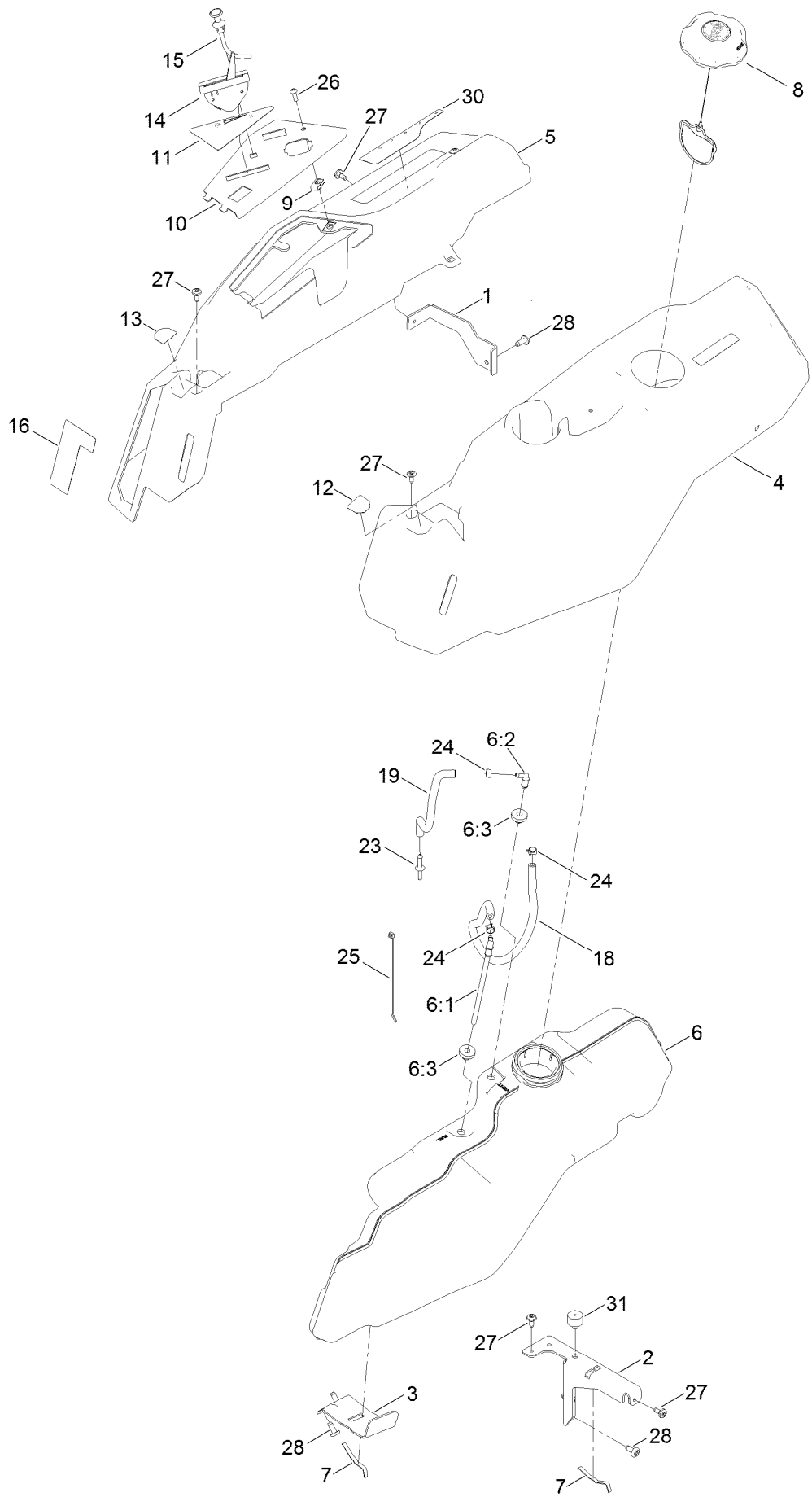




## Gasket and Seal Kit (continued)

| <i>Ref.</i> | <i>Part Number</i> | <i>Qty.</i> | <i>Description</i>    | <i>Ref.</i> | <i>Part Number</i> | <i>Qty.</i> | <i>Description</i>      |
|-------------|--------------------|-------------|-----------------------|-------------|--------------------|-------------|-------------------------|
| 1           | 127-9296           | 1           | Gasket And Seal Kit   | 1:8         | 127-9246           | 2           | Gasket-Carburetor       |
| 1:1         | 127-9214           | 1           | Gasket-Breather       | 1:9         | 127-9251           | 1           | Gasket-Carburetor       |
| 1:2         | 120-4267           | 1           | Seal-Oil              | 1:10        | 120-4262           | 2           | O-Ring                  |
| 1:3         | 127-9226           | 2           | Gasket-Head, Cylinder | 1:11        | 127-9267           | 1           | Gasket-Cover, Crankcase |
| 1:4         | 127-9230           | 2           | Gasket-Intake         | 1:12        | 127-9271           | 1           | Seal                    |
| 1:5         | 127-9295           | 2           | Gasket-Valve Cover    | 1:13        | 127-9273           | 1           | O-Ring                  |
| 1:6         | 120-4317           | 2           | Gasket-Exhaust        | 1:14        | 127-9284           | 1           | O-Ring                  |
| 1:7         | 120-4257           | 1           | Seal-Oil              | 1:15        | 127-9286           | 1           | O-Ring                  |

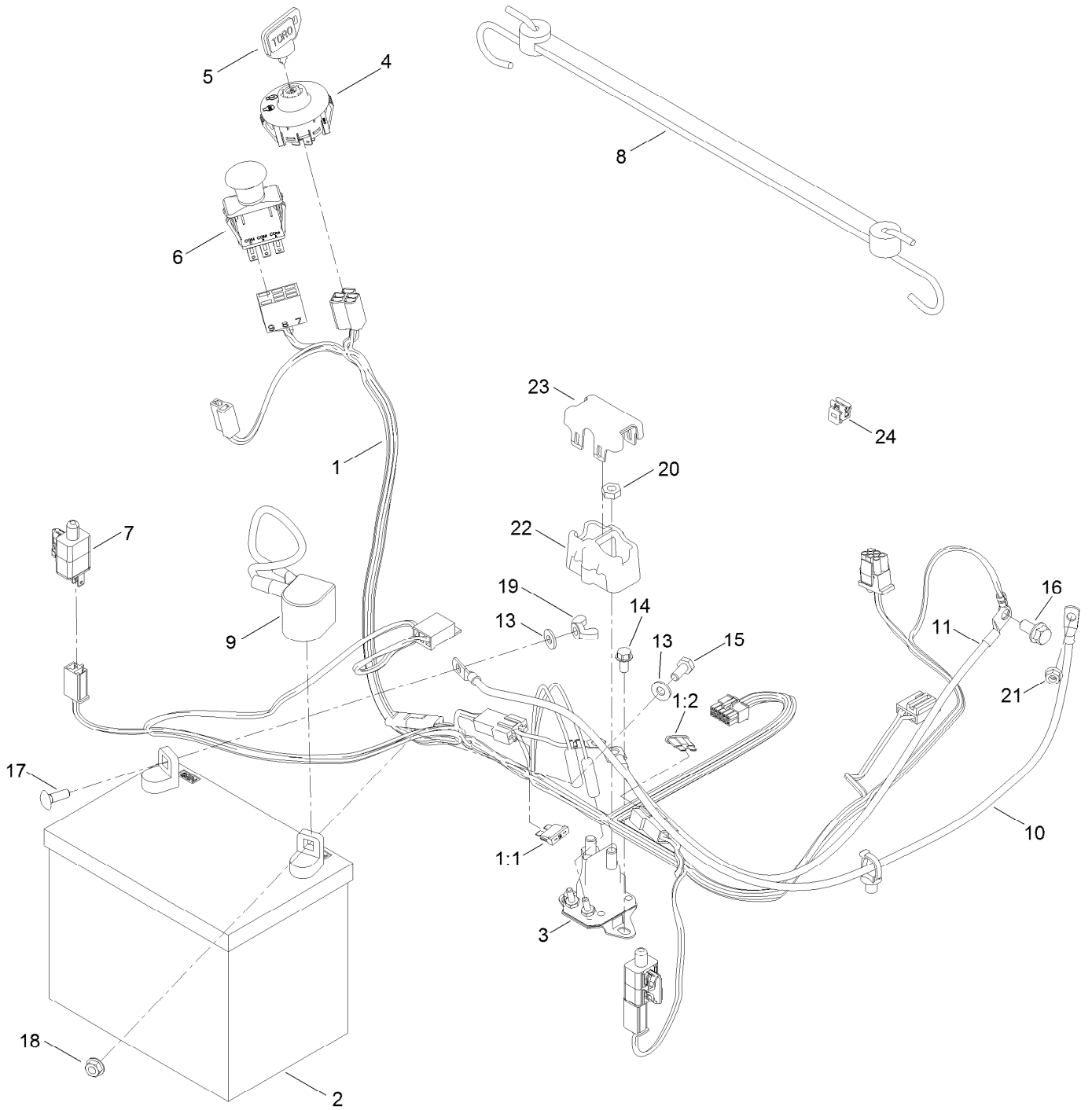
# Body Styling and Fuel Pod Assembly



## Body Styling and Fuel Pod Assembly (continued)

| <i>Ref.</i> | <i>Part Number</i> | <i>Qty.</i> | <i>Description</i>      | <i>Ref.</i> | <i>Part Number</i> | <i>Qty.</i> | <i>Description</i>      |
|-------------|--------------------|-------------|-------------------------|-------------|--------------------|-------------|-------------------------|
| 1           | 138-9810-03        | 1           | Bracket-Pod             | 13          | 139-2394           | 1           | Decal-Control Lever, RH |
| 2           | 138-6071-03        | 1           | Support-Pod, LH         | 14          | 139-2403           | 1           | Cable-Throttle          |
| 3           | 139-3271-03        | 1           | Support-Tank, Fuel      | 15          | 139-2402           | 1           | Cable-Choke             |
| 4           | 138-6074           | 1           | Pod-LH                  | 16          | 139-2388           | 1           | Decal-Smart Speed       |
| 5           | 139-2404           | 1           | Pod-RH, Myride          | 18          | 109-0298           | 1           | Line-Fuel               |
| 6           | 138-6072           | 1           | Fuel Tank ASM           | 19          | 110-3447           | 1           | Hose-Fuel               |
| 6:1         | 139-1091           | 1           | Connector-Elbow, 90 DEG | 23          | 117-5399           | 1           | Adaptor-Orifice         |
| 6:2         | 117-7400           | 1           | Fitting-Plastic         | 24          | 2412-98            | 3           | Clamp-Hose              |
| 6:3         | 46-6560            | 2           | Bushing                 | 25          | 614249             | 1           | Tie-Cable               |
| 7           | 609830             | 2           | Spring                  | 26          | 3258-166           | 1           | Screw-PRH               |
| 8           | 137-4119           | 1           | Cap-Fuel, Ratcheting    | 27          | 120-7950           | 6           | Screw-Torx              |
| 9           | 107069             | 1           | Clip                    | 28          | 138-9753           | 5           | Screw                   |
| 10          | 139-2380-05        | 1           | Panel-Control           | 30          | 139-2397           | 1           | Decal-Adjustment        |
| 11          | 139-2391           | 1           | Decal-Panel, Control    | 31          | 120-7893           | 1           | Bumper-Grommet          |
| 12          | 139-2395           | 1           | Decal-Control Lever, LH |             |                    |             |                         |

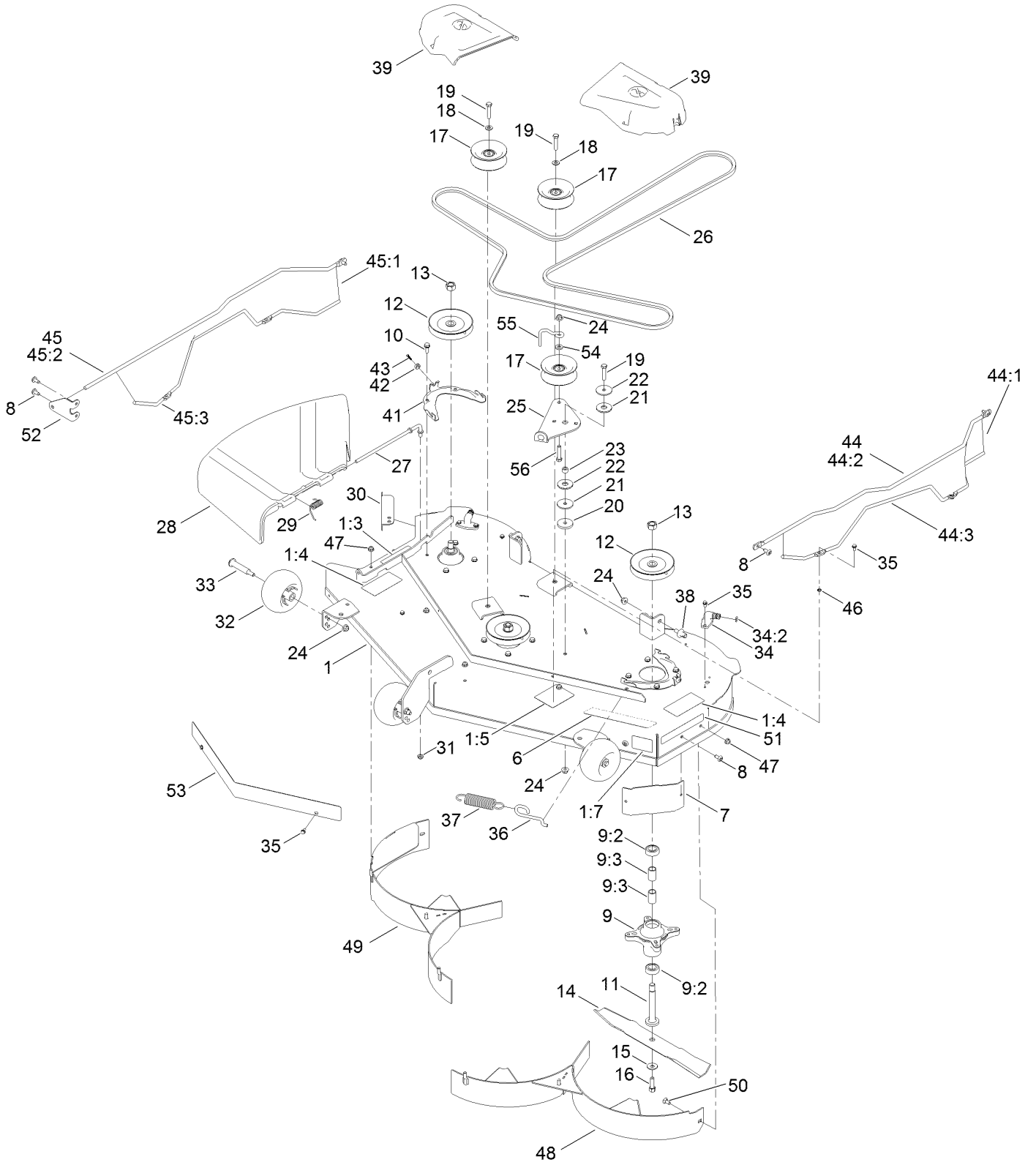
# Electrical Assembly



## Electrical Assembly (continued)

| <i>Ref.</i> | <i>Part Number</i> | <i>Qty.</i> | <i>Description</i>                 | <i>Ref.</i> | <i>Part Number</i> | <i>Qty.</i> | <i>Description</i>   |
|-------------|--------------------|-------------|------------------------------------|-------------|--------------------|-------------|----------------------|
| 1           | 138-2521           | 1           | Harness-Wire                       | 11          | 110-6793           | 1           | Cable-Battery, Black |
| 1:1         | 109355             | 1           | Fuse-Blade, 15 Amp                 | 13          | 120-9679           | 2           | Washer-Flat          |
| 1:2         | 109102             | 1           | Fuse-Blade, 25 Amp                 | 14          | 32144-4            | 2           | Screw-HWH            |
| 2           | 105-1692           | 1           | Battery, 230CCA W/O<br>Electrolyte | 15          | 137-3041           | 1           | Screw-HH             |
| 3           | 117-1197           | 1           | Solenoid                           | 16          | 139-2593           | 1           | Screw-HHF            |
| 4           | 137-4100           | 1           | Switch-Ignition                    | 17          | 137-3053           | 1           | Screw-CARR           |
| 5           | 63-8360            | 1           | Key-Ignition                       | 18          | 139-2575           | 1           | Nut-HF               |
| 6           | 103-5221           | 1           | Switch-PTO                         | 19          | 32103-22           | 1           | Nut-Wing             |
| 7           | 110-6765           | 2           | Switch                             | 20          | 139-2580           | 2           | Nut-HJ               |
| 8           | 139-2381           | 1           | Strap-Rubber                       | 21          | 139-2619           | 1           | Nut-HF               |
| 9           | 140-2713           | 1           | Cable-Battery, Pos                 | 22          | 140-2080           | 1           | Cover-Solenoid       |
| 10          | 139-2431           | 1           | Cable-Battery, Red (8<br>Gauge)    | 23          | 140-2081           | 1           | Cap-Solenoid         |
|             |                    |             |                                    | 24          | 32180-418          | 1           | Clip-Harness         |

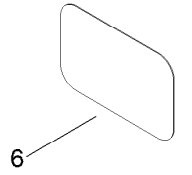
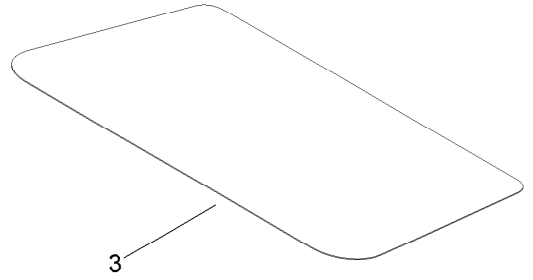
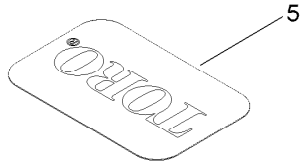
# 50 Inch Deck Assembly



## 50 Inch Deck Assembly (continued)

| <i>Ref.</i> | <i>Part Number</i> | <i>Qty.</i> | <i>Description</i>            | <i>Ref.</i> | <i>Part Number</i> | <i>Qty.</i> | <i>Description</i>  |
|-------------|--------------------|-------------|-------------------------------|-------------|--------------------|-------------|---------------------|
| 1           | 138-9764           | 1           | 50 Inch Deck And Decal<br>ASM | 31          | 121-4600           | 1           | Nut-Hex             |
| 1:3         | 93-7009            | 1           | Decal-Danger                  | 32          | 1-603299           | 3           | Roller-Scalp, Anti  |
| 1:4         | 132-0872           | 2           | Decal-Danger, Deck            | 33          | 139-2551           | 3           | Bolt-Shoulder       |
| 1:5         | 99-3943            | 1           | Decal-Routing, Belt           | 34          | 133-9289           | 2           | Fitting-Washout     |
| 1:7         | 112-9840           | 1           | Decal-Scalp, Anti             | 34:2        | 133-9290           | 1           | O-Ring              |
| 6           | 139-3208           | 1           | Decal-Deck                    | 35          | 32144-4            | 10          | Screw-HWH           |
| 7           | 139-2448-03        | 1           | Baffle-Corner                 | 36          | 138-7266           | 1           | Spring-Return, Hook |
| 8           | 138-9753           | 7           | Screw                         | 37          | 138-7264           | 1           | Spring-Extension    |
| 9           | 139-3214           | 3           | Spindle ASM                   | 38          | 139-5871           | 2           | Pin-Deck            |
| 9:2         | 120-7935           | 2           | Spacer                        | 39          | 139-3293           | 2           | Cover-Belt          |
| 9:3         | 138-9770           | 2           | Bearing-Ball                  | 41          | 139-3272-03        | 2           | Bracket-Cover, Belt |
| 10          | 32144-41           | 12          | Screw-Taptite                 | 42          | 139-5886           | 2           | Spacer-Notched      |
| 11          | 117-7268           | 3           | Shaft-Spindle                 | 43          | 94-4496            | 2           | Screw-PPH           |
| 12          | 139-7454           | 3           | Pulley                        | 44          | 140-0372           | 1           | Left Guard ASM      |
| 13          | 139-2578           | 3           | Nut-Hex                       | 44:1        | 140-0379           | 1           | Guard               |
| 14          | 115-5062-03        | 3           | Blade-Mulch, 17.50 Inch       | 44:2        | 139-7468           | 1           | Rod-Top, Left       |
| 15          | 3290-465           | 3           | Washer-Belleville             | 44:3        | 139-7474           | 1           | Rod-Support, Lower  |
| 16          | 26-0671            | 3           | Screw-HH                      | 45          | 140-0373           | 1           | Right Guard ASM     |
| 17          | 132-9420           | 3           | Pulley-Idler, Flat            | 45:1        | 140-0379           | 1           | Guard               |
| 18          | 115-1166           | 2           | Washer-Flat                   | 45:2        | 140-0385           | 1           | Rod-Top, Right      |
| 19          | 138-0722           | 3           | Screw-HH                      | 45:3        | 139-7475           | 1           | Rod-Support, Lower  |
| 20          | 139-5802           | 1           | Washer-Plain                  | 46          | 1-803037           | 4           | Nut-Retaining       |
| 21          | 139-1726           | 2           | Washer-Rebound                | 47          | 119-4041           | 7           | Nut-HF              |
| 22          | 114-0463           | 2           | Washer-Friction, Composite    | 48          | 139-3236-03        | 1           | 50In Baffle ASM     |
| 23          | 115-4986           | 1           | Spacer                        | 49          | 139-3234-03        | 1           | 50In Baffle ASM     |
| 24          | 119-4042           | 7           | Nut-HF, NI                    | 50          | 139-2630           | 2           | Bolt-CARR           |
| 25          | 138-7262           | 1           | Arm-Idler                     | 51          | 119-2368           | 1           | Decal-Recycler      |
| 26          | 119-8820           | 1           | V-Belt                        | 52          | 140-2742-01        | 1           | Plate-Mount, Guard  |
| 27          | 137-2019           | 1           | Rod-Pivot                     | 53          | 139-7485-03        | 1           | Shield-Front        |
| 28          | 138-7502           | 1           | Deflector-Discharge           | 54          | 138-7207           | 1           | Spacer-Hub, Blower  |
| 29          | 138-7268           | 1           | Spring-Torsion                | 55          | 138-7270           | 1           | Guide-Belt, Idler   |
| 30          | 138-9800-03        | 1           | Baffle-Cutoff                 | 56          | 139-2589           | 1           | Screw-HH            |

# Decal Assembly

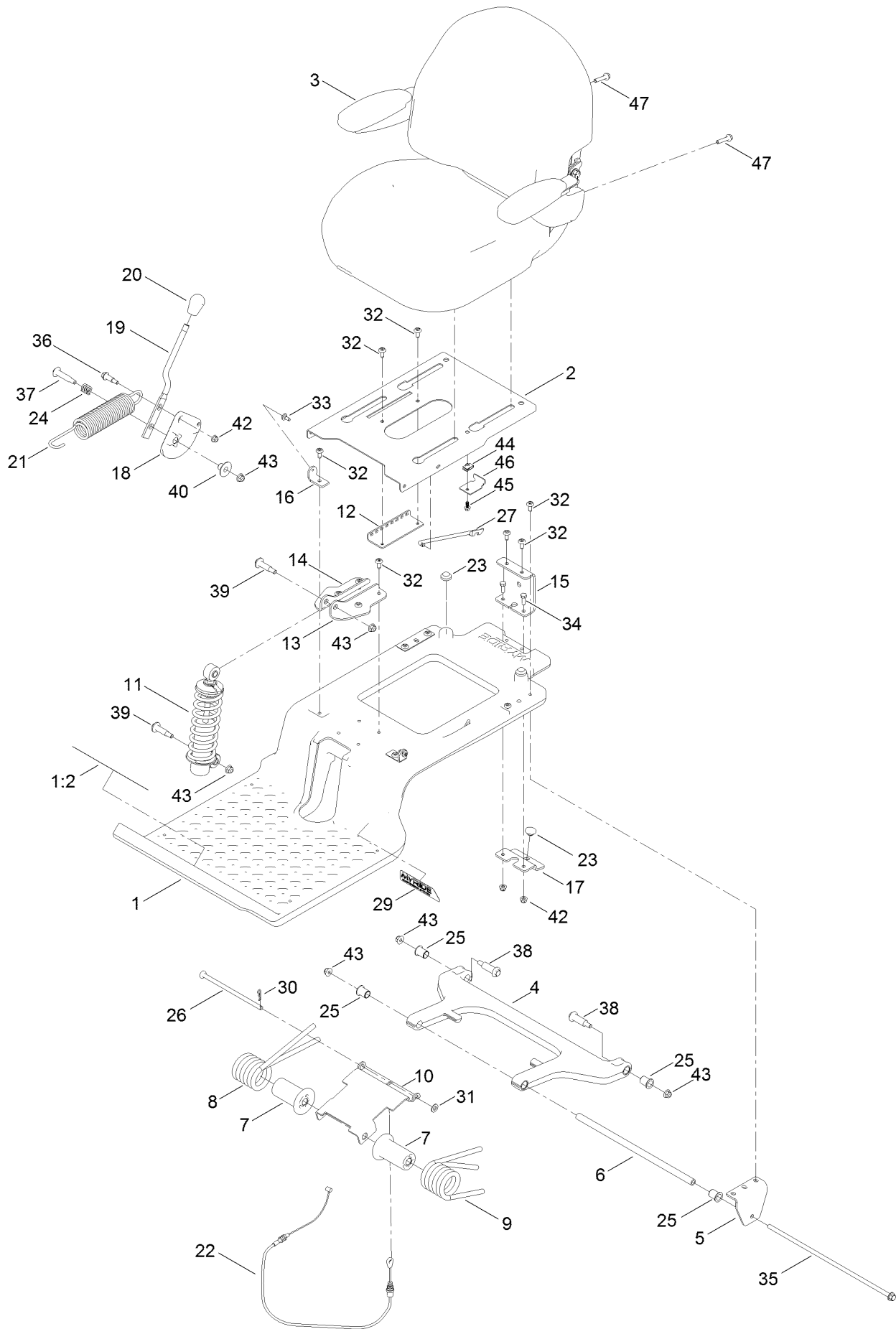




## Decal Assembly (continued)

| <i>Ref.</i> | <i>Part Number</i> | <i>Qty.</i> | <i>Description</i> | <i>Ref.</i> | <i>Part Number</i> | <i>Qty.</i> | <i>Description</i> |
|-------------|--------------------|-------------|--------------------|-------------|--------------------|-------------|--------------------|
| 3           | 136-5597           | 1           | Decal-Engine       | 5           | 131-4157           | 1           | Decal              |
| 4           | 131-1097           | 1           | Decal-Drain, Oil   | 6           | 127-9076           | 1           | Placard-Intake     |

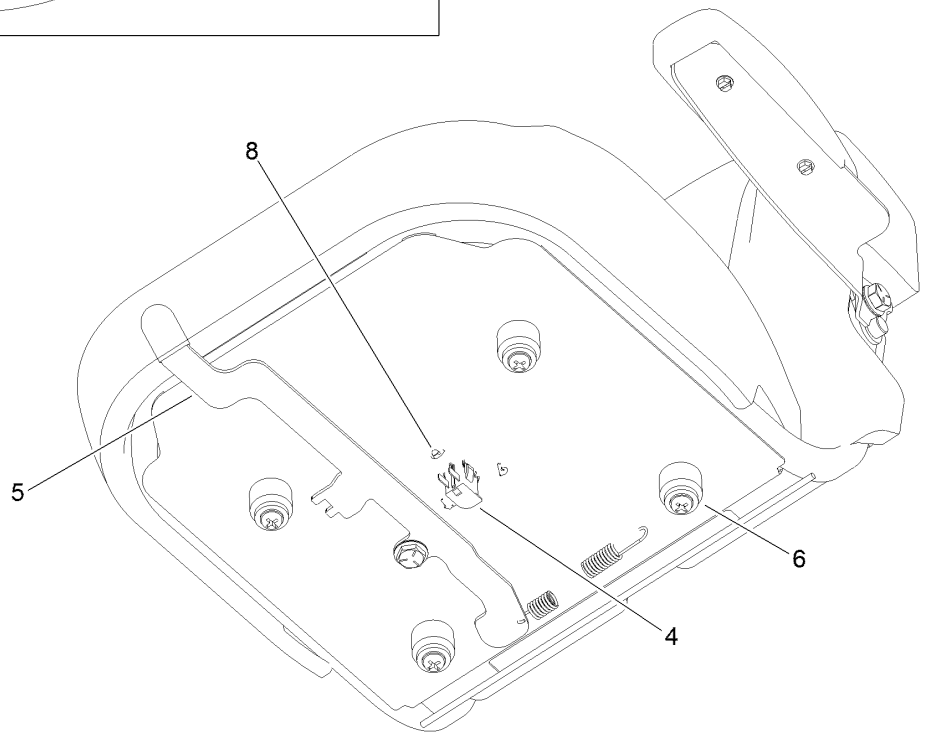
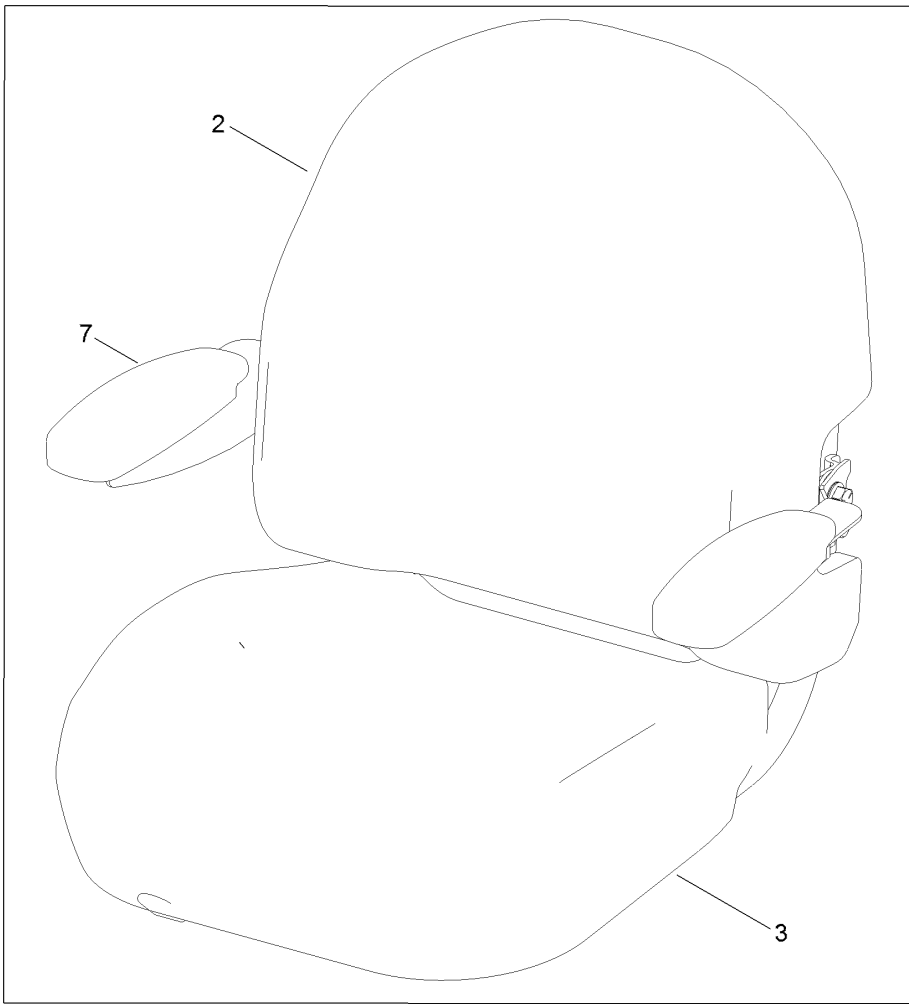
# Seat Assembly



## Seat Assembly (continued)

| <i>Ref.</i> | <i>Part Number</i> | <i>Qty.</i> | <i>Description</i>                 | <i>Ref.</i> | <i>Part Number</i> | <i>Qty.</i> | <i>Description</i>       |
|-------------|--------------------|-------------|------------------------------------|-------------|--------------------|-------------|--------------------------|
| 1           | 140-5046           | 1           | Subframe ASM                       | 22          | 138-9812           | 1           | Cable-Adjustment, Myride |
| 1:2         | 132-0869           | 1           | Decal-Danger                       | 23          | 135-0505           | 3           | Bumper-Seat              |
| 2           | 138-7540-03        | 1           | Pan-Seat                           | 24          | 139-5858           | 1           | Spring-Compression       |
| 3           | 140-5044           | 1           | Seat ASM                           | 25          | 138-2573           | 4           | Bushing-Flange           |
| 4           | 138-2563           | 1           | Arm, Swing                         | 26          | 138-9813           | 1           | Rod-Adjustment           |
| 5           | 138-7517           | 2           | Bracket-Mount, Swing Arm           | 27          | 138-2596           | 1           | Rod-Prop, Seat           |
| 6           | 138-7549           | 1           | Tube-Spacer                        | 29          | 140-0357           | 1           | Decal-Myride             |
| 7           | 138-9776           | 2           | Retainer-Spring                    | 30          | 137-3083           | 1           | Pin-Hair                 |
| 8           | 137-7018           | 1           | Spring-Torsion, RH                 | 31          | 115-1166           | 1           | Washer-Flat              |
| 9           | 137-1983           | 1           | Spring-Torsion, LH                 | 32          | 138-9753           | 14          | Screw                    |
| 10          | 138-7566-03        | 1           | Plate-Adjuster                     | 33          | 120-7950           | 2           | Screw-Torx               |
| 11          | 139-2427           | 1           | Shock/Spring ASM                   | 34          | 139-1716           | 2           | Screw-HH                 |
| 12          | 131-4008-03        | 1           | Bracket-Latch, Seat                | 35          | 138-7548           | 1           | Screw-HHF                |
| 13          | 133-9318-03        | 1           | Bracket-Shock Mount,<br>Upper (LH) | 36          | 130-2344           | 1           | Bolt-Shoulder            |
| 14          | 133-9319-03        | 1           | Bracket-Shock Mount,<br>Upper (RH) | 37          | 92-1057            | 1           | Bolt-Shoulder            |
| 15          | 138-9788           | 1           | Bracket-Cable                      | 38          | 138-2547           | 2           | Bolt-Shoulder            |
| 16          | 138-7522           | 2           | Bracket-Seat                       | 39          | 136-7198           | 2           | Bolt-Shoulder            |
| 17          | 139-2361-03        | 1           | Bracket Lower                      | 40          | 139-5800           | 1           | Bushing - Flange         |
| 18          | 138-9814           | 1           | Pulley - Cam                       | 42          | 119-4041           | 3           | Nut-HF                   |
| 19          | 138-9822           | 1           | Lever - Adjustment                 | 43          | 104-8301           | 6           | Nut-HF, NI               |
| 20          | 139-5807           | 1           | Knob-Lever                         | 44          | 107069             | 1           | Clip                     |
| 21          | 138-9848           | 1           | Spring-Extension                   | 45          | 137-3111           | 1           | Screw-HHF                |
|             |                    |             |                                    | 46          | 138-7214           | 1           | Bracket-Stop, Seat       |
|             |                    |             |                                    | 47          | 140-5024           | 2           | Screw-HHF                |

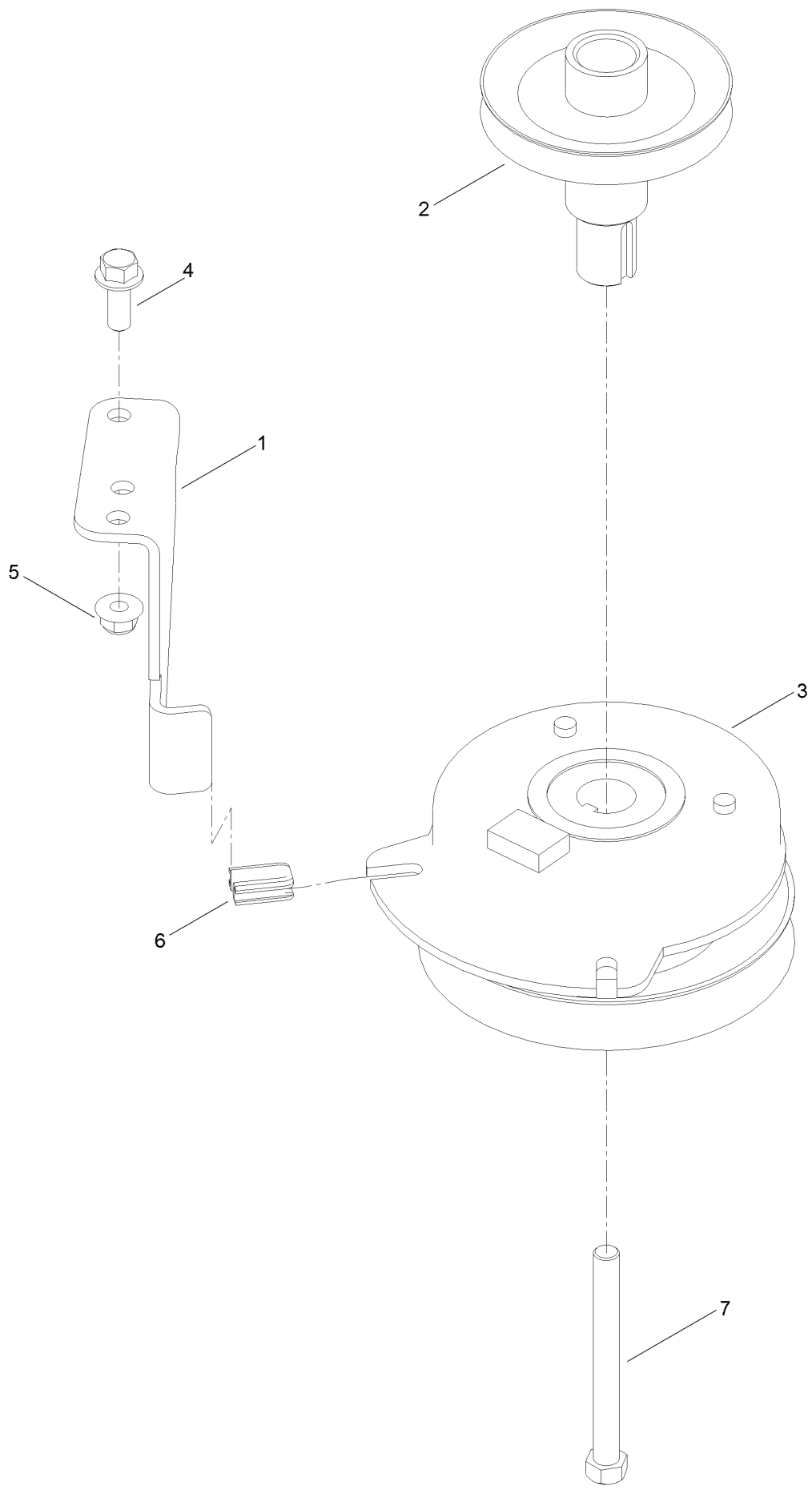
# Seat Assembly No. 140-5044



## Seat Assembly No. 140-5044 (continued)

| <i>Ref.</i> | <i>Part Number</i> | <i>Qty.</i> | <i>Description</i> | <i>Ref.</i> | <i>Part Number</i> | <i>Qty.</i> | <i>Description</i>   |
|-------------|--------------------|-------------|--------------------|-------------|--------------------|-------------|----------------------|
| 1           | 140-2733           | 1           | Seat ASM           | 5           | 131-4153           | 1           | Track ASM            |
| 2           | 140-5041           | 1           | Cover-Seat Back    | 6           | 131-4154           | 1           | Bushing ASM          |
| 3           | 140-5042           | 1           | Cover-Seat Base    | 7           | 139-5823           | 1           | Arm Rest Kit         |
| 4           | 82-2190            | 1           | Switch-Bail        | 8           | 140-3468           | 1           | Cap-Switch, Actuator |

# Clutch Assembly



## Clutch Assembly (continued)

| <i>Ref.</i> | <i>Part Number</i> | <i>Qty.</i> | <i>Description</i> | <i>Ref.</i> | <i>Part Number</i> | <i>Qty.</i> | <i>Description</i> |
|-------------|--------------------|-------------|--------------------|-------------|--------------------|-------------|--------------------|
| 1           | 137-7000           | 1           | Stop-Clutch (Wide) | 5           | 119-4042           | 1           | Nut-HF, NI         |
| 2           | 138-9792           | 1           | Pulley-Engine      | 6           | 120-2217           | 1           | Isolator-Clutch    |
| 3           | 127-3408           | 1           | Clutch-PTO         | 7           | 139-2572           | 1           | Screw-HH           |
| 4           | 139-2597           | 1           | Screw-HHF          |             |                    |             |                    |

# Attachments and Accessories

## For 74694 TimeCutter MX 5075T Riding Mower

| <b>Product Name</b>                          | <b>Model/Part</b> |
|--|-------------------|
| Hourmeter Kit .....                          | 116-5461          |
| Jack Kit .....                               | 127-6666          |
| 50 Inch Recycler Kit .....                   | 139-3240          |
| 50 Inch Bagging Enhancement Kit .....        | 139-7459          |
| Front Weight Kit .....                       | 140-2050          |
| Assist Bar Kit .....                         | 140-2052          |
| Sunshade Kit .....                           | 140-2054          |
| LED Light Kit .....                          | 140-2056          |
| Floormat Kit .....                           | 140-2060          |
| Floormat Kit .....                           | 140-2061          |
| Jack Mount Kit .....                         | 140-2711          |
| Twin Bagger, Timecutter 50/54 Inch Fab ..... | 79412             |
| ROPS Kit .....                               | 79485             |
| Slope Sensor Kit .....                       | 79486             |



**Notes:**

**Notes:**

**Notes:**



**Count on it.**