



Count on it.

Parts Catalog

TimeCutter® MX 5075

Riding Mower

Model No. 74768—Serial No. 402327412 and Up

Model No. 74778—Serial No. 402366555 and Up



Ordering Replacement Parts

To order replacement parts, please supply the part number, the quantity, and the description of each part desired.

Understanding Reference Numbers

Each identified part in an illustration has a reference number. The reference number for a part also appears in the parts list, along with other information about the part.

This catalog uses two special reference number formats, one to indicate parts in a service assembly and another to indicate the quantity of a given part in an illustration.

Service Assembly Reference Numbers

Parts in service assemblies have reference numbers in the form a:b. The a represents the reference number of the entire service assembly and the b represents a sequential number unique to each part within the service assembly.

For example, a wheel assembly might be identified by reference number 6, the tire by 6:1, the valve by 6:2, and the wheel by 6:3. When you order the assembly identified by reference number 6, you receive all parts identified by reference numbers 6:1, 6:2, and 6:3. However, you may also order any part individually. Reference numbers of this type appear in illustration and in parts lists.

Reference Numbers Indicating Quantity

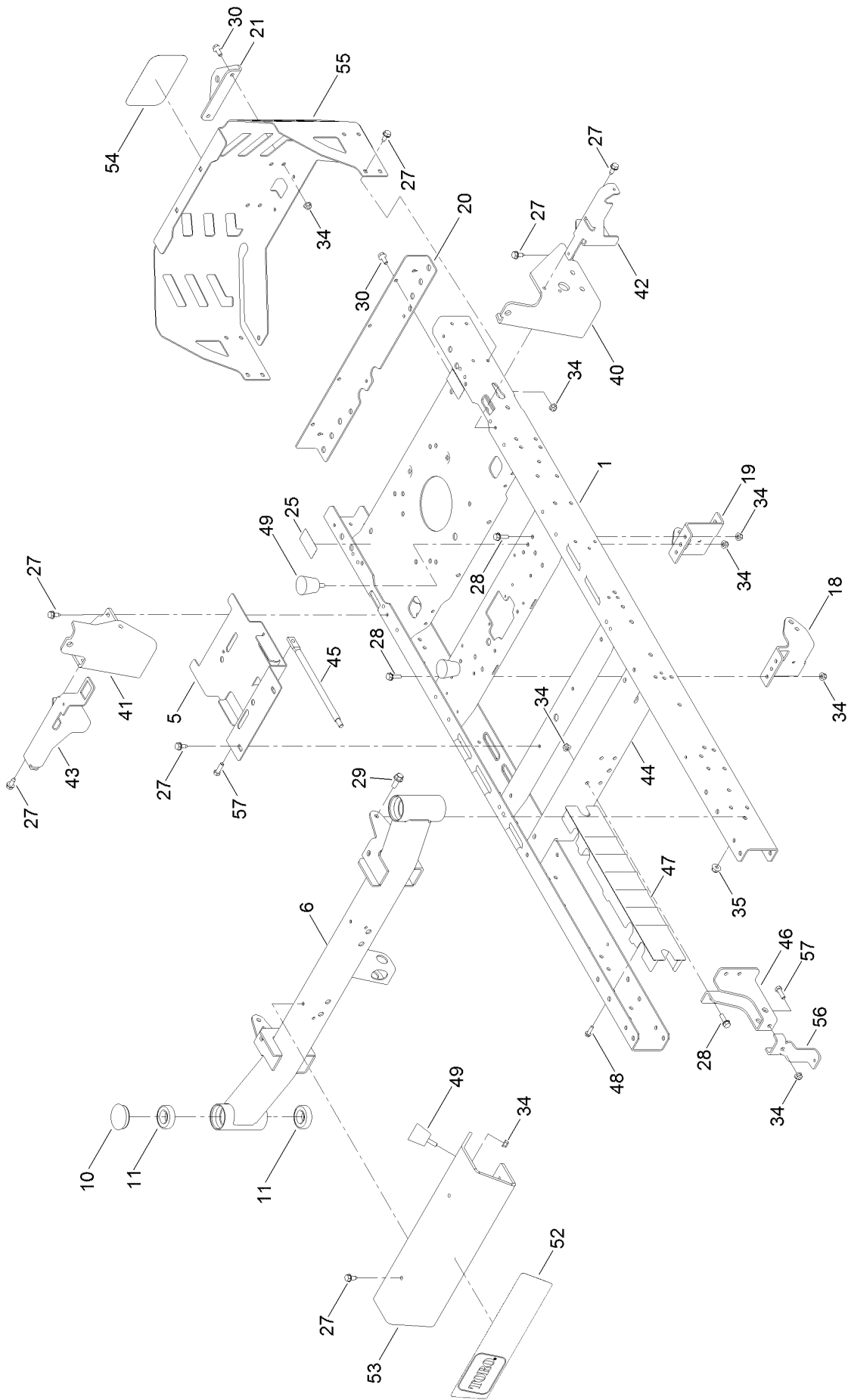
In an illustration, if a reference number indicates more than one part, the reference number has the form nX y. The n represents the quantity of the part, the X is the multiplication symbol, and the y represents the reference number.

For example, in an illustration, the reference number 2X 37 means that two of the parts identified by reference number 37 are indicated.

Contents

Frame Assembly	4
Deck Lift Assembly	6
Tire and Wheel Assembly	8
Hydro Transaxle Drive and Rear Wheel Assembly	10
LH Transaxle Assembly No. 131-3640	12
RH Transaxle Assembly No. 131-3641	14
Brake Assembly	16
Rear Tire Assembly	18
Seat Pan Assembly	20
Motion Control Assembly	22
Engine Assembly	24
Fuel System Assembly	26
Carburetor Assembly	28
Air Intake and Filtration Assembly	30
Ignition and Cooling Fan Assembly	32
Crankcase and Crankshaft Assembly	34
Governor Control Assembly	36
Piston and Cylinder Head Assembly	38
Blower Housing Assembly	40
Gasket and Seal Kit	42
Body Styling and Fuel Tank Assembly	44
Battery and Electrical Assembly	46
50 Inch Deck Assembly	48
50 Inch Deck and Decal Assembly No. 131-3614	50
Model Specific Decal Assembly	52
Maintenance, HOC and Smart Speed Decal Assembly	54
Clutch Assembly	56
Attachments and Accessories	58

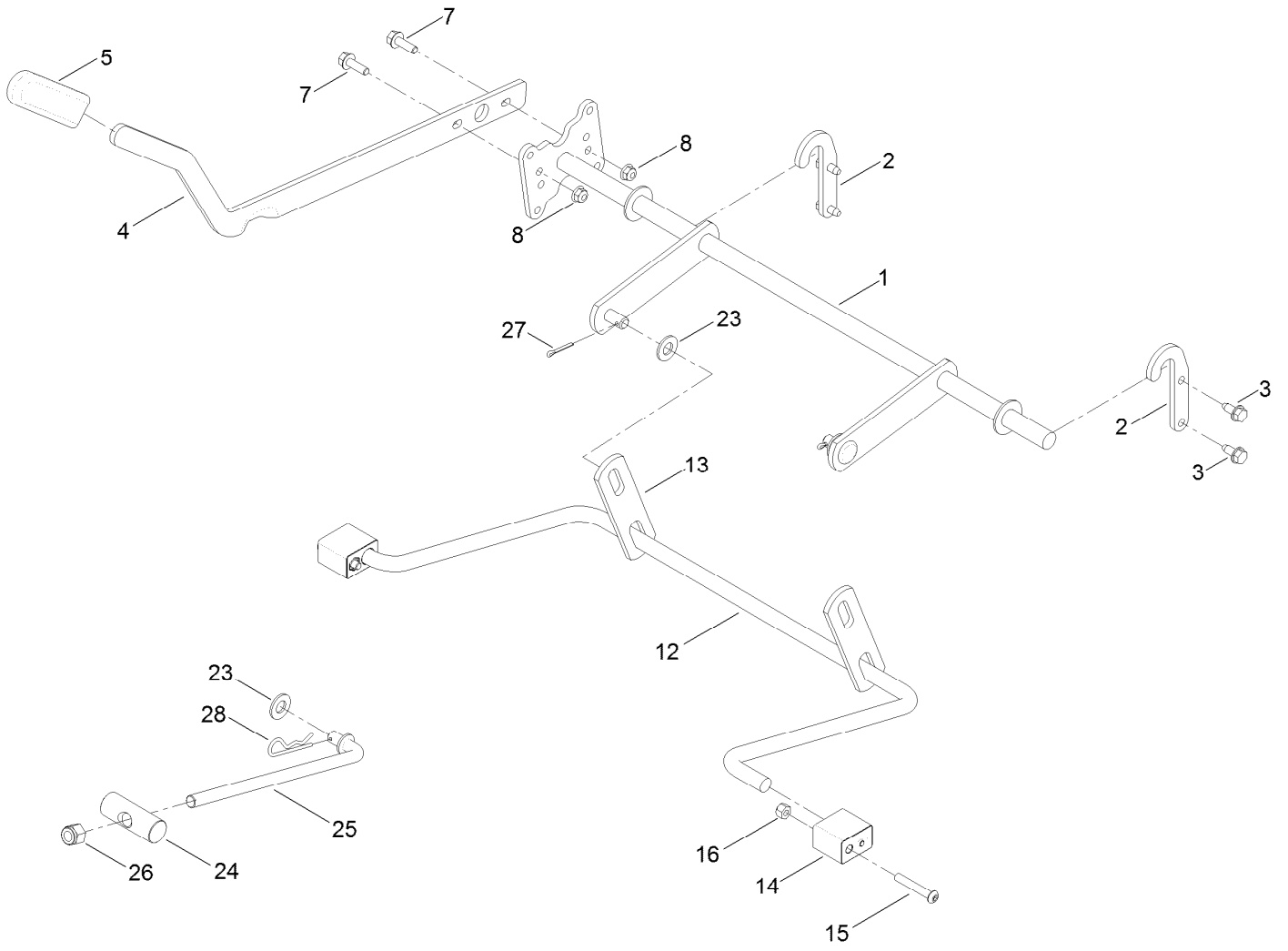
Frame Assembly



Frame Assembly (continued)

<i>Ref.</i>	<i>Part Number</i>	<i>Qty.</i>	<i>Description</i>	<i>Ref.</i>	<i>Part Number</i>	<i>Qty.</i>	<i>Description</i>
1	137-7023-01	1	Frame ASM	42	137-1996-03	1	Support-Pod
5	133-9271-03	1	Bracket-Battery	43	137-1995-03	1	Support-Pod
6	137-7029-01	1	Axle-Wide	44	133-9254-01	1	Brace-Cross, Lower
10	116-4348	2	Cap-Grease	45	133-9262	1	Rod-Brace
11	109-3678	4	Bearing-Ball	46	137-7022-01	1	Bracket-Mount Damper, Lower
18	137-7020-01	1	Mount-Hydro, Front (Right)	47	137-5093	2	Guard-Rail
19	137-7021-01	1	Mount-Hydro, Front (Left)	48	46-8091	6	Screw-HWH
20	137-7016-01	1	Crossmember-Rear, Wide	49	132-5058	4	Bumper-Rubber
21	117-1232-03	1	Bracket-Hitch	52	137-7043	1	Decal-Timecutter
25	121-2989	2	Decal-Bypass	53	137-5002-01	1	Step-Front
27	32144-70	16	Screw-HWHTF	54	99-4693	1	Decal
28	3234-29	4	Screw-HHF	55	137-2034-03	1	Guard-Engine
29	3234-42	10	Screw-HHF	56	137-5077-01	1	Stop-Deck
30	3234-47	8	Screw-HHF	57	322-5	2	Screw-HH
34	104-8300	12	Nut-HF, NI	60	325-4	2	Screw-HH
35	104-8301	11	Nut-HF, NI	61	99-5107	2	Nut-Lock
40	137-5095-01	1	Bracket-Mount				
41	137-5096-01	1	Bracket-Mount				

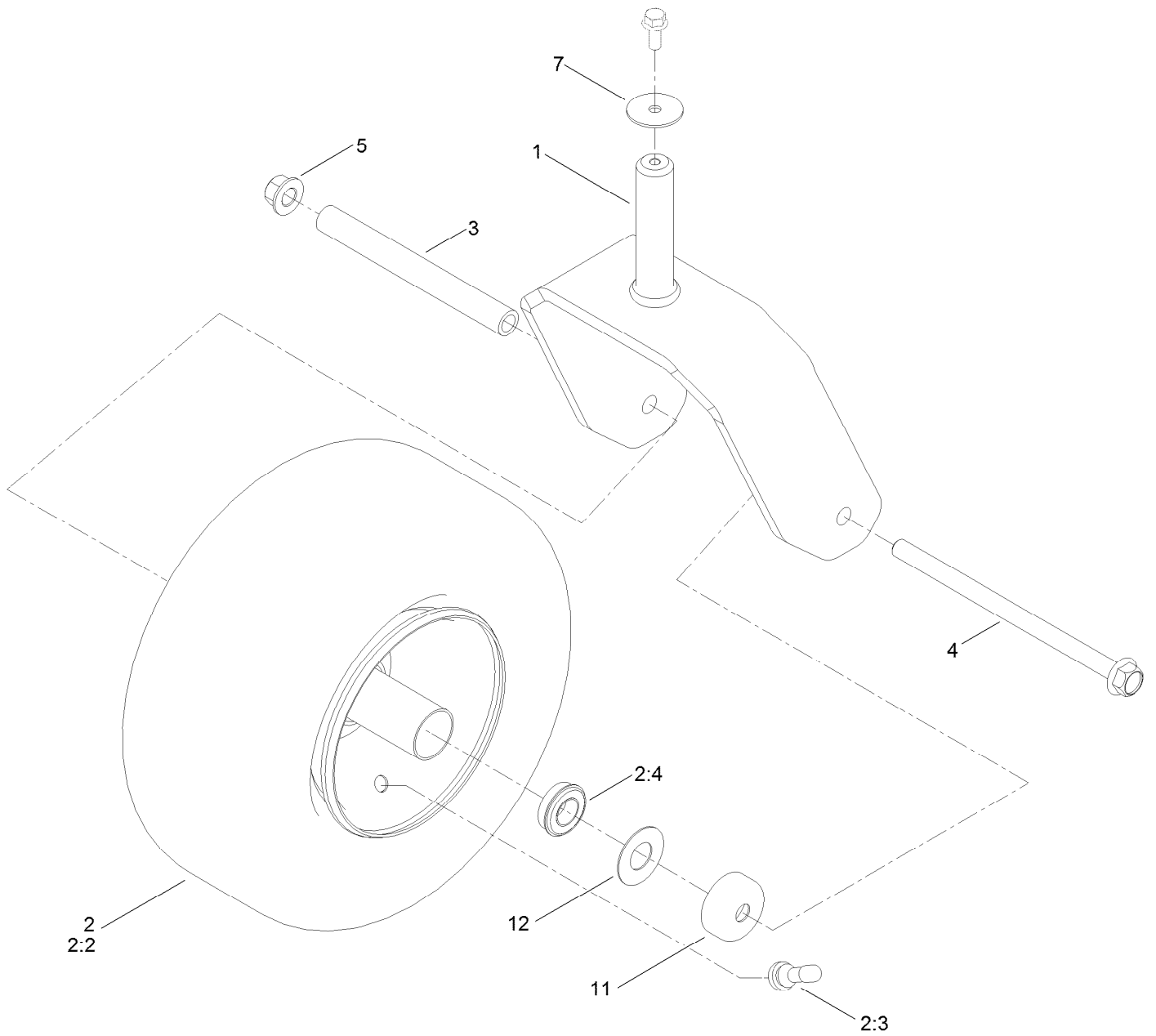
Deck Lift Assembly



Deck Lift Assembly (continued)

<i>Ref.</i>	<i>Part Number</i>	<i>Qty.</i>	<i>Description</i>	<i>Ref.</i>	<i>Part Number</i>	<i>Qty.</i>	<i>Description</i>
1	132-6878-03	1	Lift-Deck (Wide)	14	108-7845	2	Block-Pivot
2	119-8875	2	Bracket-Lift	15	120-5499	2	Screw-HSBH
3	32144-70	4	Screw-HWHTF	16	3296-29	2	Nut-Lock, NI
4	119-3427-03	1	Lever-Lift	23	3256-26	3	Washer-Flat
5	1-633268	1	Grip-Lever	24	119-8810	1	Pin-Pivot
7	3234-29	2	Screw-HHF	25	133-4319	1	Rod-Mount, Deck
8	104-8300	2	Nut-HF, NI	26	3296-19	1	Nut-Hex
12	119-3347	1	Arm-Lift, Rear (Wide)	27	3272-11	2	Pin-Cotter
13	108-7840	2	Link-Lift	28	1-806005	1	Pin-Cotter

Tire and Wheel Assembly

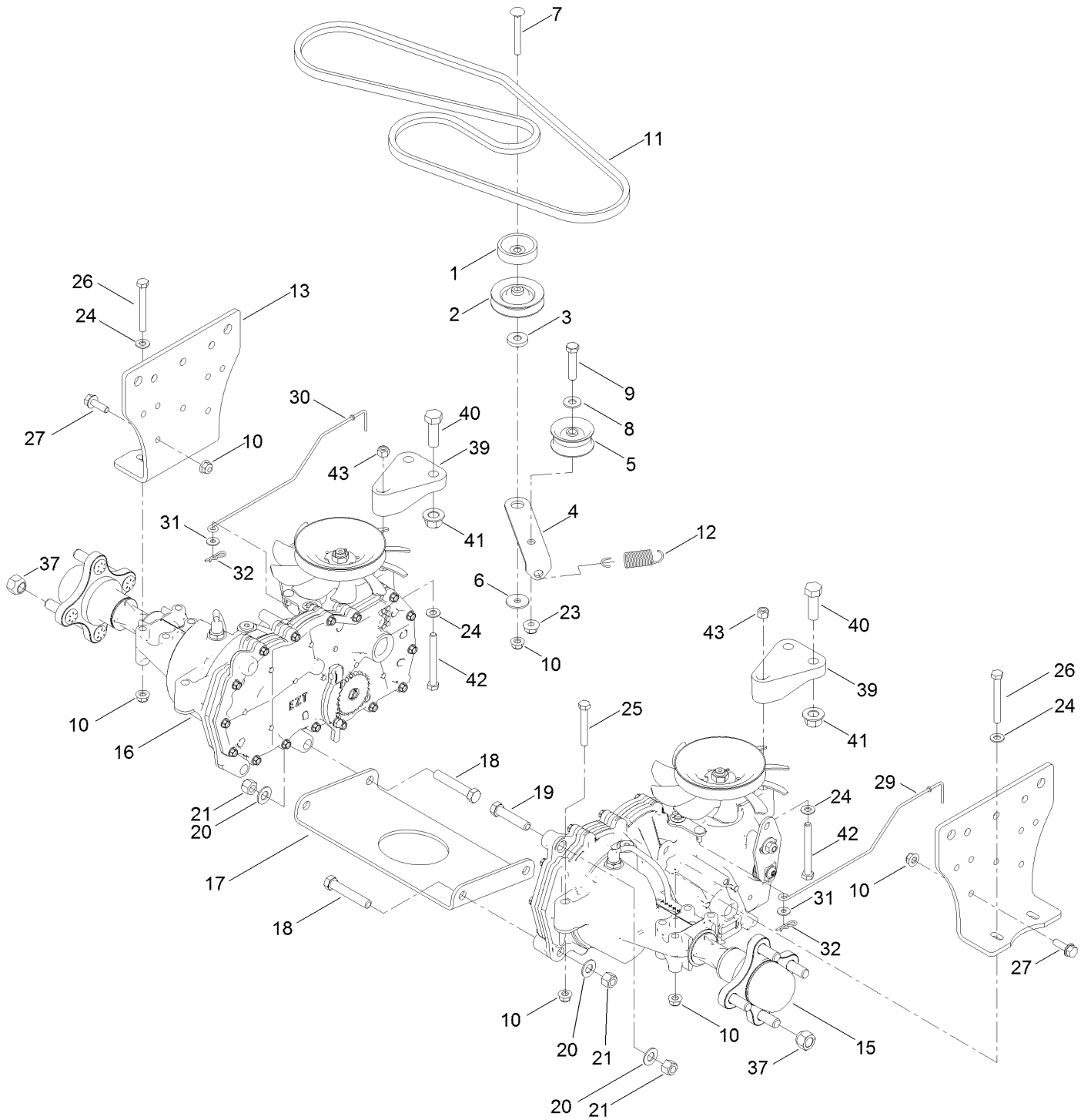


Tire and Wheel Assembly (continued)

<i>Ref.</i>	<i>Part Number</i>	<i>Qty.</i>	<i>Description</i>	<i>Ref.</i>	<i>Part Number</i>	<i>Qty.</i>	<i>Description</i>
1	133-4375-01	2	Fork ASM	3	133-4487	2	Spanner-Wheel
2	133-4427	2	Tire And Wheel ASM	4	126-5389	2	Screw-HHF
2:2	125-5581	1	Tire	5	99-5107	2	Nut-Lock
2:3	232-27	1	Stem-Valve	7	3256-68	2	Washer-Flat
2:4	136-4190	2	Bearing	11	133-7088	4	Guard-Seal
2:99	232-46	1	Tube-Inner ●	12	136-5590	4	Washer

● Not illustrated

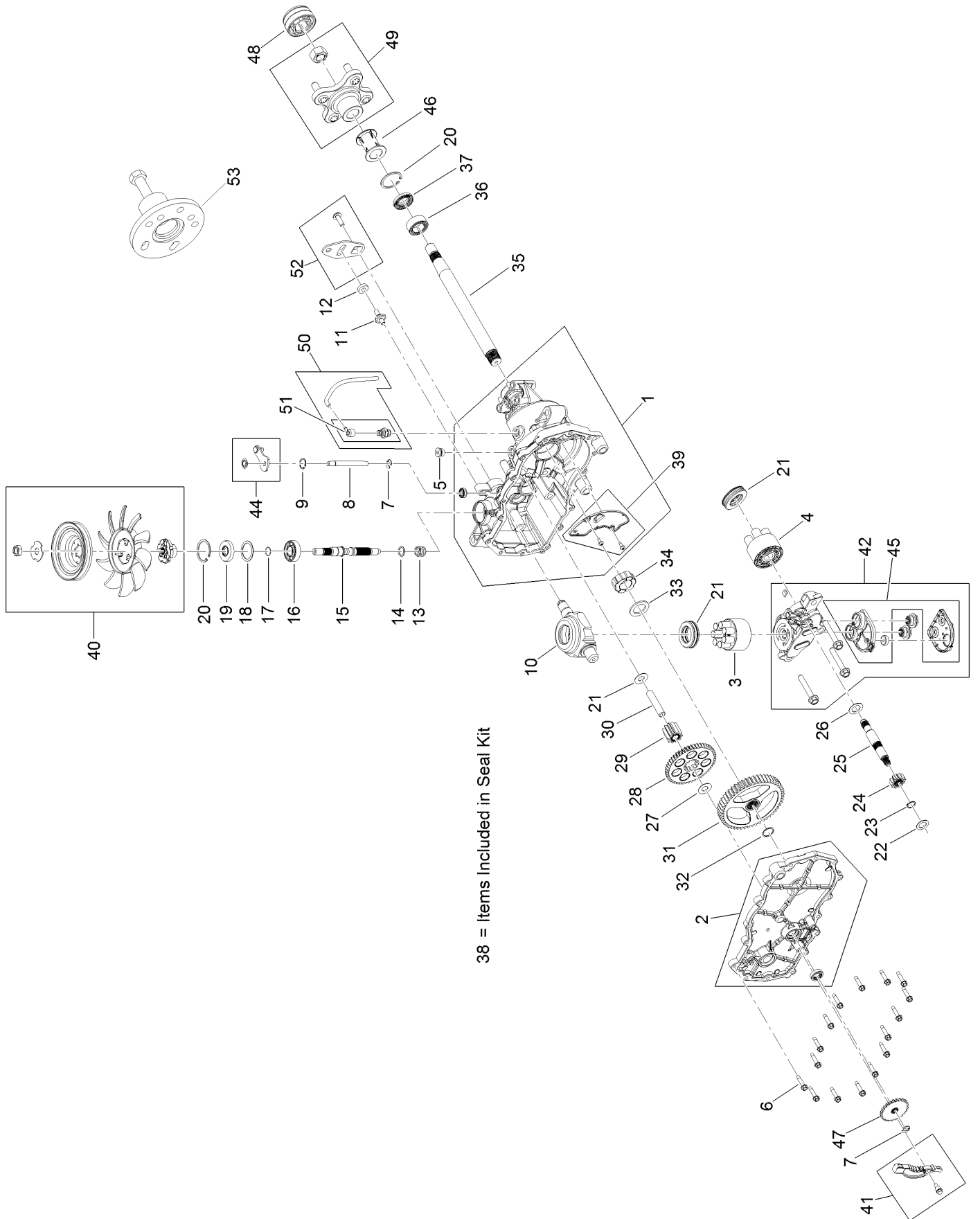
Hydro Transaxle Drive and Rear Wheel Assembly



Hydro Transaxle Drive and Rear Wheel Assembly (continued)

<i>Ref.</i>	<i>Part Number</i>	<i>Qty.</i>	<i>Description</i>	<i>Ref.</i>	<i>Part Number</i>	<i>Qty.</i>	<i>Description</i>
1	119-3353	1	Spacer	19	324-8	2	Screw-HH
2	119-8822	1	Pulley-Idler	20	3256-25	6	Washer-Flat
3	119-3327	1	Spacer-Arm, Idler	21	3296-48	6	Nut-Hex
4	137-1987	1	Arm-Idler	23	104-8301	1	Nut-HF, NI
5	131-5988	1	Pulley-Idler, Flat	24	3256-23	6	Washer-Plain
6	5-4460	1	Washer-Pivot	25	322-11	2	Screw-HH
7	3230-8	1	Screw-CARR	26	322-13	4	Screw-HH
8	80-6990	1	Washer-Hardened	27	3234-29	8	Screw-HHF
9	323-9	1	Screw-HH	29	137-5018	1	Rod-Bypass, LH
10	104-8300	17	Nut-HF, NI	30	137-5017	1	Rod-Bypass, RH
11	130-6976	1	V-Belt	31	119-8952	2	Washer
12	137-7024	1	Spring	32	3290-307	2	Pin-Cotter
13	133-1201-03	2	Mount-Hydro	37	242-50	8	Nut-Lug
15	131-3640	1	LH Hydro Transmission ASM	39	133-1247	2	Support-Hydro, Rear
16	131-3641	1	RH Hydro Transmission ASM	40	325-6	4	Screw-HH
17	119-3342-03	1	Plate-Cross, Hydro	41	99-5107	4	Nut-Lock
18	324-10	4	Screw-HH	42	322-14	2	Screw-HH
				43	3296-29	2	Nut-Lock, NI

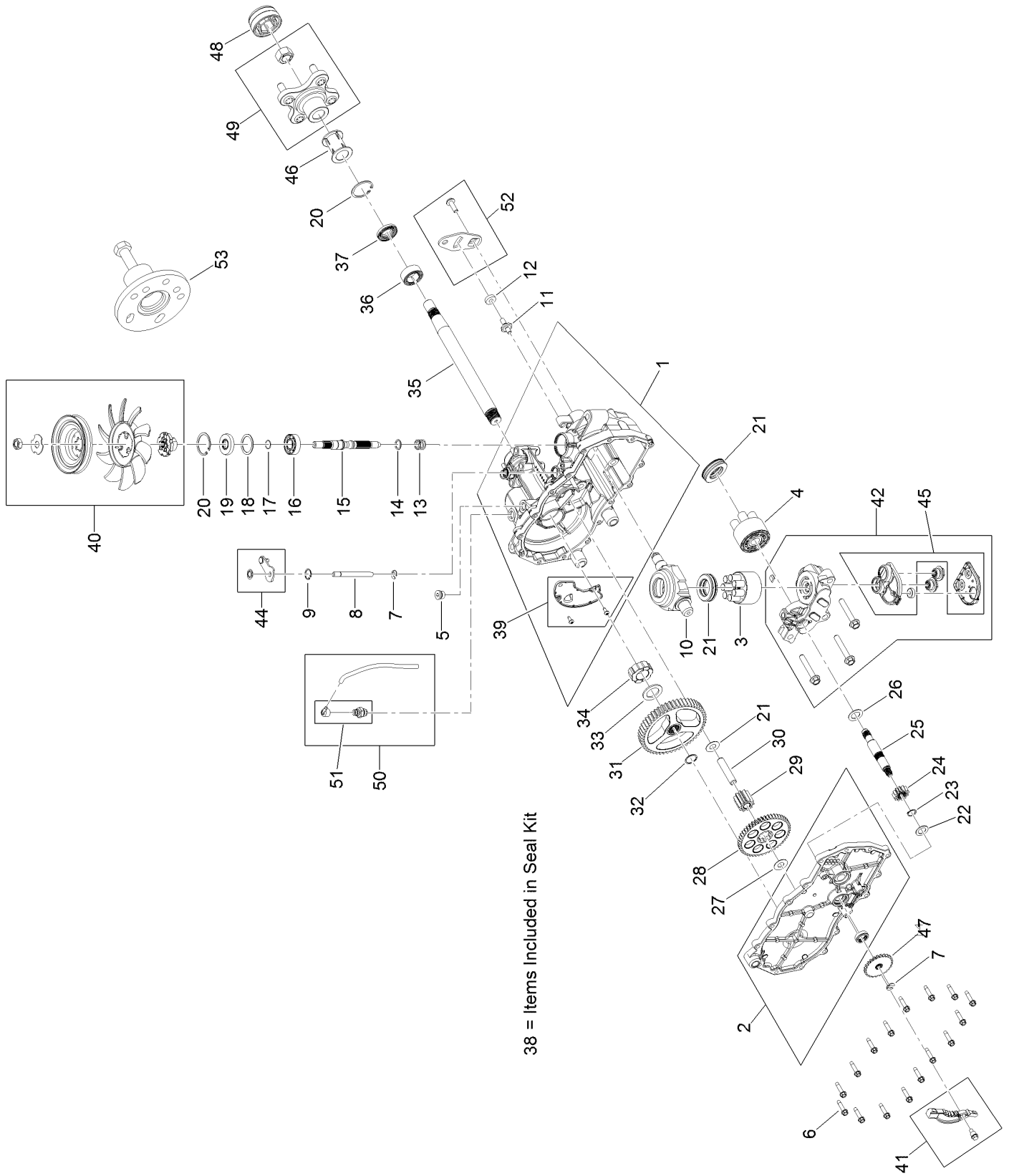
LH Transaxle Assembly No. 131-3640



LH Transaxle Assembly No. 131-3640 (continued)

<i>Ref.</i>	<i>Part Number</i>	<i>Qty.</i>	<i>Description</i>	<i>Ref.</i>	<i>Part Number</i>	<i>Qty.</i>	<i>Description</i>
1	106-8695	1	Main Housing ASM	27	94-1933	2	Washer
2	106-8696	1	Side ASM	28	132-0911	1	Gear-49T
3	110-8561	1	Pump Block ASM	29	104-5318	1	Gear-Jackshaft, 10T
4	103-2666	1	Cylinder Block Kit	30	104-5329	1	Pin-Jackshaft
5	104-2189	1	Plug-Thread, Straight	31	112-9854	1	Ring-Spiral, Retaining
6	117-5359	16	Screw-HHF	32	112-9855	1	Gear-52T, Bull
7	106-8677	2	Ring-Retaining, External	33	112-9856	1	Washer
8	106-8678	1	Rod-Bypass	34	112-9857	1	Bearing-Sleeve
9	106-8679	1	Ring-Retaining, Internal	35	120-7104	1	Shaft-Axle
10	104-5304	1	Swashplate-Trunnion	36	112-9859	1	Bushing-Axle
11	104-2116	1	Stud	37	112-9860	1	Seal-Lip
12	112-9853	1	Puck-Friction	38	106-8686	1	Seal Kit
13	94-1936	1	Spring-Block	39	106-8697	1	Expansion Plate Kit
14	94-1937	1	Washer-Thrust	40	121-5746	1	Fan Pulley Kit
15	104-5306	1	Shaft-Input	41	106-8688	1	Brake Arm Kit
16	104-5311	1	Bearing-Ball	42	112-9861	1	Center Section Filter Kit
17	104-5307	1	Ring-Retaining	44	120-5549	1	Bypass Kit
18	104-5308	1	Spacer	45	114-1634	1	Filter Kit
19	104-5310	1	Seal-Lip	46	120-7109	1	Tube-Axle
20	104-5309	2	Ring-Retaining	47	106-8694	1	Disc-Brake, Cog
21	94-6922	2	Bearing-Thrust	48	115-5057	1	Cover-Nut, Axle
22	104-5339	1	Washer-Flat	49	109-5939	1	Hub Kit
23	104-5340	1	Ring-Retaining	50	112-9866	1	Breather Kit
24	132-0912	1	Gear-12T	51	114-1635	1	Breather ASM
25	106-8683	1	Shaft-Motor	52	117-5362	1	Control Arm Kit
26	104-5360	1	Washer	53	114-8467	1	Puller-Hub, 4 Bolt

RH Transaxle Assembly No. 131-3641

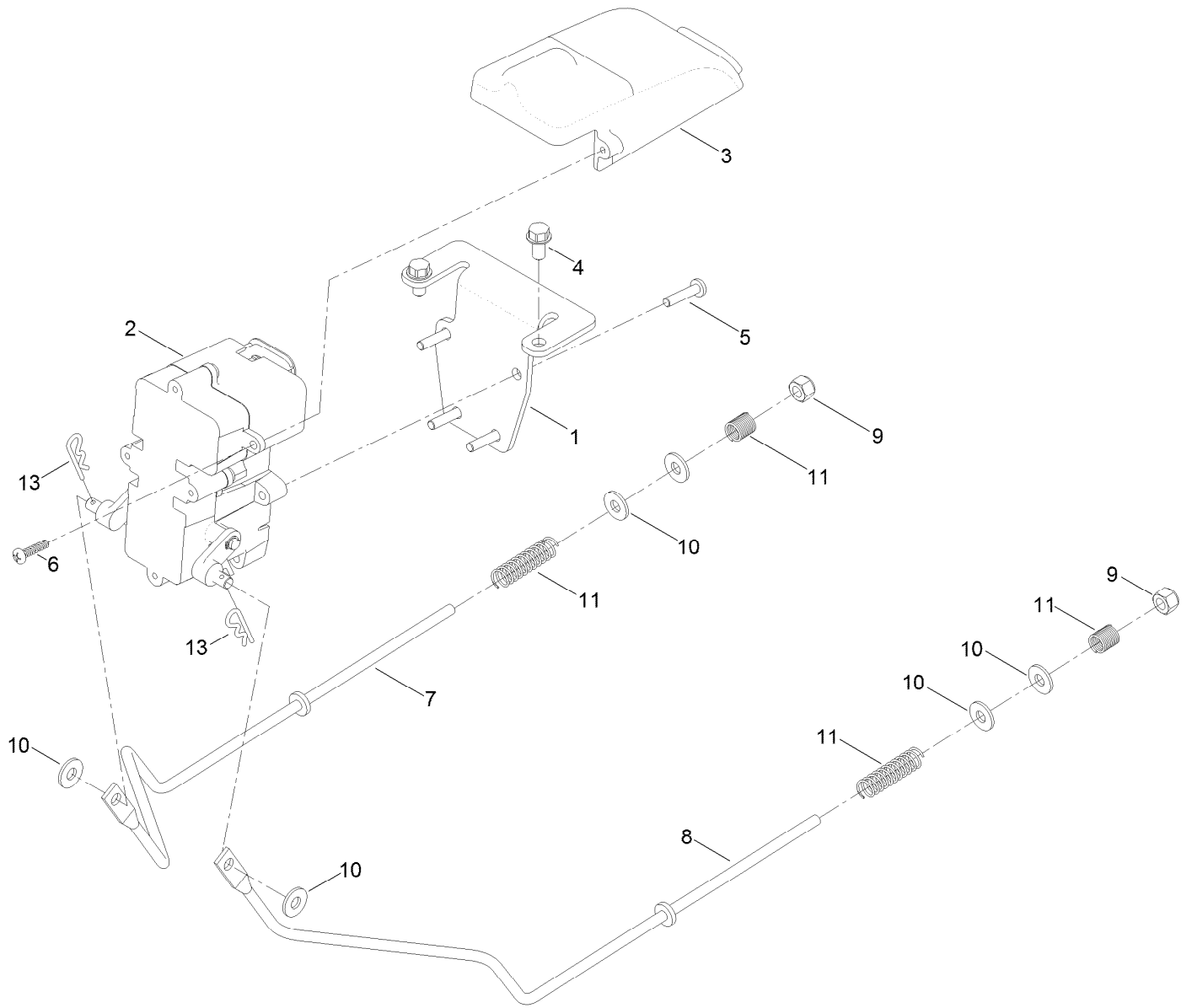


38 = Items Included in Seal Kit

RH Transaxle Assembly No. 131-3641 (continued)

<i>Ref.</i>	<i>Part Number</i>	<i>Qty.</i>	<i>Description</i>	<i>Ref.</i>	<i>Part Number</i>	<i>Qty.</i>	<i>Description</i>
1	106-8674	1	Main Housing ASM	27	94-1933	2	Washer
2	106-8675	1	Side ASM	28	132-0911	1	Gear-49T
3	110-8561	1	Pump Block ASM	29	104-5318	1	Gear-Jackshaft, 10T
4	103-2666	1	Cylinder Block Kit	30	104-5329	1	Pin-Jackshaft
5	104-2189	1	Plug-Thread, Straight	31	112-9854	1	Ring-Spiral, Retaining
6	117-5359	16	Screw-HHF	32	112-9855	1	Gear-52T, Bull
7	106-8677	2	Ring-Retaining, External	33	112-9856	1	Washer
8	106-8678	1	Rod-Bypass	34	112-9857	1	Bearing-Sleeve
9	106-8679	1	Ring-Retaining, Internal	35	120-7104	1	Shaft-Axle
10	104-5304	1	Swashplate-Trunnion	36	112-9859	1	Bushing-Axle
11	104-2116	1	Stud	37	112-9860	1	Seal-Lip
12	112-9853	1	Puck-Friction	38	106-8686	1	Seal Kit
13	94-1936	1	Spring-Block	39	106-8687	1	Expansion Plate Kit
14	94-1937	1	Washer-Thrust	40	121-5746	1	Fan Pulley Kit
15	104-5306	1	Shaft-Input	41	106-8688	1	Brake Arm Kit
16	104-5311	1	Bearing-Ball	42	112-9862	1	Center Section Filter Kit
17	104-5307	1	Ring-Retaining	44	107-2489	1	Bypass Arm Kit
18	104-5308	1	Spacer	45	114-1634	1	Filter Kit
19	104-5310	1	Seal-Lip	46	120-7109	1	Tube-Axle
20	104-5309	2	Ring-Retaining	47	106-8694	1	Disc-Brake, Cog
21	94-6922	2	Bearing-Thrust	48	115-5057	1	Cover-Nut, Axle
22	104-5339	1	Washer-Flat	49	109-5939	1	Hub Kit
23	104-5340	1	Ring-Retaining	50	112-9866	1	Breather Kit
24	132-0912	1	Gear-12T	51	114-1635	1	Breather ASM
25	106-8683	1	Shaft-Motor	52	117-5362	1	Control Arm Kit
26	104-5360	1	Washer	53	114-8467	1	Puller-Hub, 4 Bolt

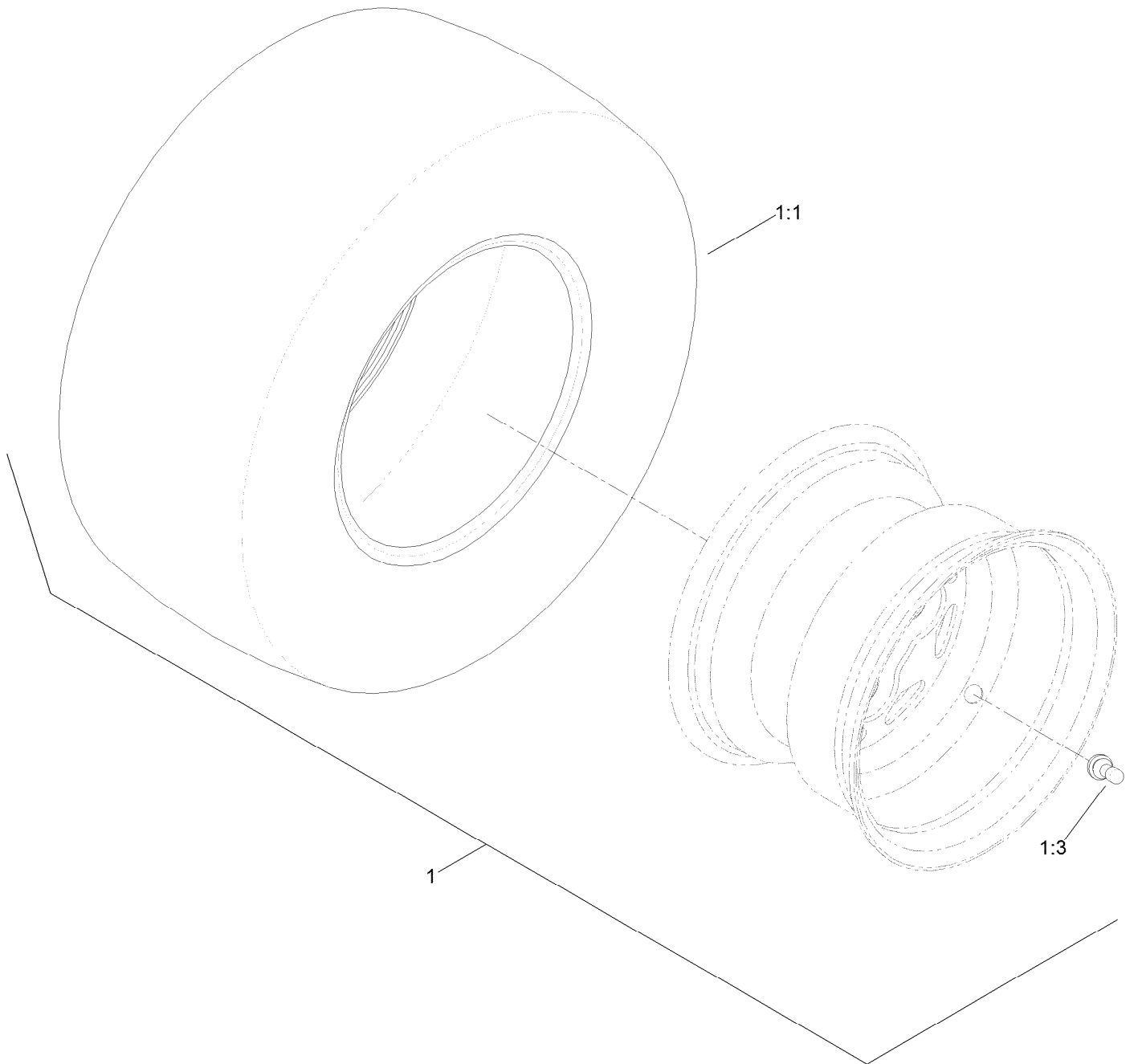
Brake Assembly



Brake Assembly (continued)

<i>Ref.</i>	<i>Part Number</i>	<i>Qty.</i>	<i>Description</i>	<i>Ref.</i>	<i>Part Number</i>	<i>Qty.</i>	<i>Description</i>
1	130-0790-03	1	Bracket-Mount, Brake	7	121-2976	1	Rod-Brake, Wide (RH)
2	136-4213	1	Brake Box ASM	8	121-2977	1	Rod-Brake, Wide (LH)
3	132-6949	1	Cover-Connector	9	3296-42	2	Nut-Lock, NI
4	32144-4	2	Screw-HWH	10	119-8952	6	Washer
5	32144-36	4	Screw-PPH	11	117-1169	4	Spring-Compression
6	94-4496	2	Screw-PPH	13	3290-307	2	Pin-Cotter

Rear Tire Assembly



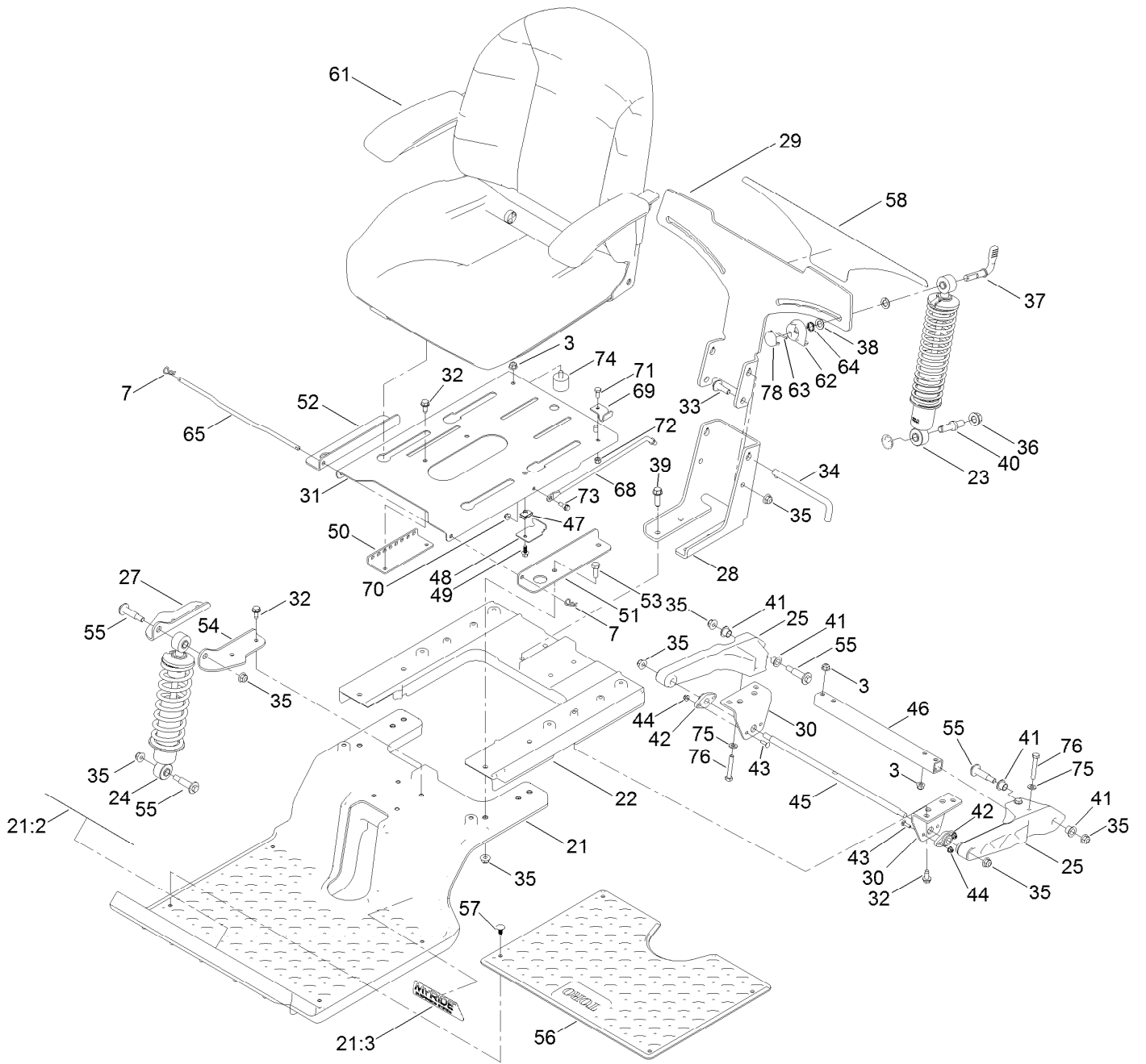
Rear Tire Assembly (continued)

<i>Ref.</i>	<i>Part Number</i>	<i>Qty.</i>	<i>Description</i>
1	133-9278	2	Tire And Wheel ASM
1:1	133-9293	1	Tire

<i>Ref.</i>	<i>Part Number</i>	<i>Qty.</i>	<i>Description</i>
1:3	232-27	1	Stem-Valve
1:99	105-4070	1	Tube-Inner ●

● Not illustrated

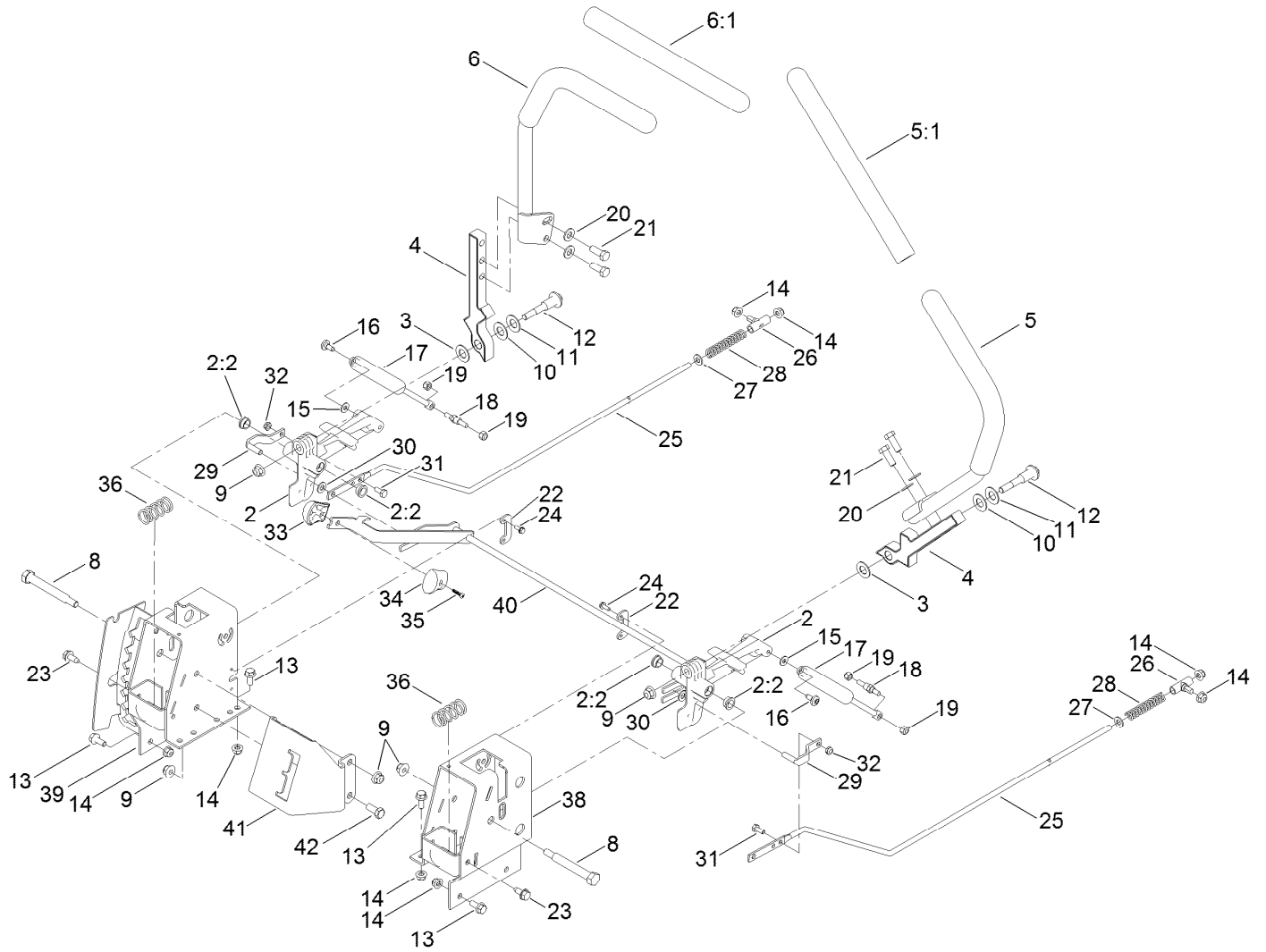
Seat Pan Assembly



Seat Pan Assembly (continued)

<i>Ref.</i>	<i>Part Number</i>	<i>Qty.</i>	<i>Description</i>	<i>Ref.</i>	<i>Part Number</i>	<i>Qty.</i>	<i>Description</i>
3	104-8300	6	Nut-HF, NI	46	137-1969-03	1	Tube-Arm, Trailing
7	3290-250	2	Pin-Cotter	47	107069	1	Clip
21	136-9191	1	Subframe-Front	48	131-1038	1	Bracket-Stop, Seat
21:2	132-0869	1	Decal-Danger	49	99-6810	1	Screw-HHF
21:3	136-7470	1	Decal	50	131-4008-03	1	Bracket-Latch, Seat
22	137-7031	1	Subframe-Rear	51	133-9327-03	1	Bracket-Seat, RH
23	133-5154	2	Shock/Spring ASM	52	133-9324-03	1	Bracket-Seat, LH
24	131-4651	1	Shock ASM	53	323-6	4	Screw-HH
25	136-8979	2	Trailing Arm	54	133-9318-03	1	Bracket-Shock Mount, Upper (LH)
27	133-9319-03	1	Bracket-Shock Mount, Upper (RH)	55	136-7198	4	Bolt-Shoulder
28	136-7464-03	1	Bracket-Mount, Lower	56	133-5190	1	Floormat
29	137-1980-03	1	Plate-Mounting, Shock	57	117-2382	4	Plug-Plastic
30	137-1967-03	2	Bracket-Mount, Swing Arm	58	137-7044	1	Decal-Adjustment
31	133-9326-03	1	Pan-Seat	61	139-2366	1	Seat ASM
32	32144-70	10	Screw-HWHTF	62	137-2030	2	Lock-Cam
33	109-9840	2	Screw-Shoulder, HHF	63	137-5015	2	Pin-Lock, Cam
34	136-5595	1	Pin-HOC	64	137-5011	2	Spring-Wave
35	104-8301	12	Nut-HF, NI	65	137-2044	1	Rod-Stop
36	99-5107	2	Nut-Lock	68	137-5037	1	Brace-Seat
37	137-1982	2	Handle-Adjustment	69	137-7030-03	1	Bracket-Brace, Seat
38	110-7191	4	Washer-Thrust	70	104-7201	1	Nut-HF, NI
39	32144-109	4	Screw-Thd	71	321-3	1	Screw-HH
40	137-2003	2	Bolt-Shoulder	72	3296-42	1	Nut-Lock, NI
41	125-5239	4	Bushing-Flange	73	119-4161	1	Bolt-Shoulder
42	127-0146	2	Bearing-Flange	74	137-4803	2	Bumper-Rubber
43	3229-20	4	Screw-CARR	75	3256-23	4	Washer-Plain
44	120-4578	4	Nut-HF	76	322-10	4	Screw-HH
45	137-1968	1	Rod-Pivot	78	137-5078	2	Cap-Lock, Cam

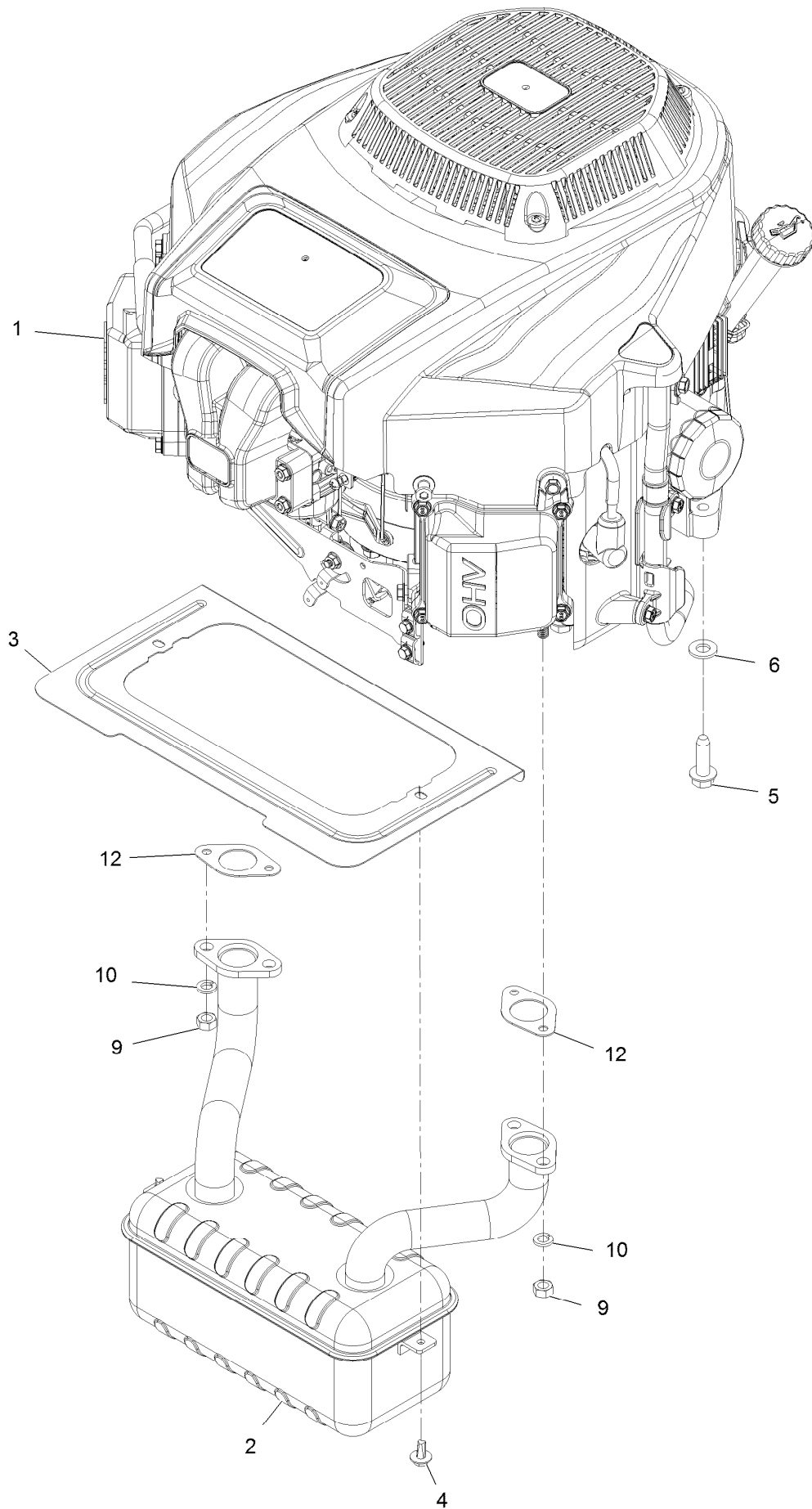
Motion Control Assembly



Motion Control Assembly (continued)

<i>Ref.</i>	<i>Part Number</i>	<i>Qty.</i>	<i>Description</i>	<i>Ref.</i>	<i>Part Number</i>	<i>Qty.</i>	<i>Description</i>
2	119-3470	2	Actuator Arm ASM	21	323-6	4	Screw-HH
2:2	256-156	2	Bushing-Flange	22	117-5385	2	Retainer
3	120-2273	2	Washer-Nylon	23	32144-70	2	Screw-HWHTF
4	133-9299-05	2	Arm-Control	24	32144-1	4	Screw-Taptite
5	133-7055	1	Handle-Control, LH	25	117-5388	2	Rod-Hydro
5:1	121-0726	1	Grip	26	119-8842	2	Mount-Rod, Hydro
6	133-7057	1	Handle-Control, RH	27	3256-23	2	Washer-Plain
6:1	121-0726	1	Grip	28	1-603807	2	Spring-Return, Neutral
8	115-5099	2	Bolt-Pivot	29	121-1753	2	Pin-Rod, Hydro
9	104-8301	5	Nut-HF, NI	30	93-6079	2	Spacer-Nylon
10	117-1240	2	Washer	31	321-3	2	Screw-HH
11	119-8925	2	Washer-Belleville	32	3296-56	2	Nut-Lock, NI
12	117-1198	2	Bolt-Pivot	33	132-9368	1	Knob-RH
13	3234-47	8	Screw-HHF	34	132-9369	1	Knob-LH
14	104-8300	12	Nut-HF, NI	35	94-4496	1	Screw-PPH
15	119-8952	2	Washer	36	119-8876	2	Spring-Return
16	120-7950	2	Screw-Torx	38	136-5614-03	1	Box-Control, LH
17	131-0964	2	Damper	39	137-5049-03	1	Control Box ASM
18	110-6810	2	Stud-Damper	40	137-5009	1	Speed Control ASM
19	3296-42	4	Nut-Lock, NI	41	137-5008-03	1	Gate-Control, Speed
20	3256-24	4	Washer-Flat	42	323-5	1	Screw-HH

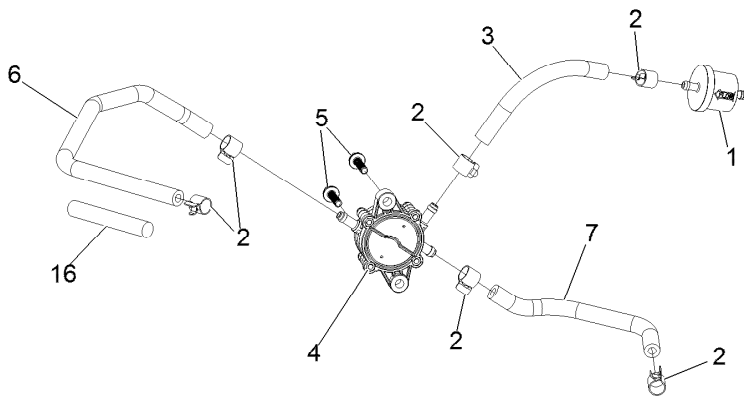
Engine Assembly



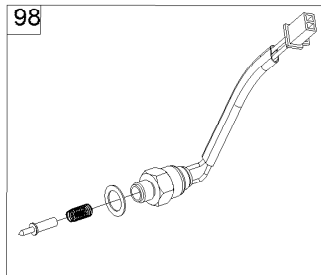
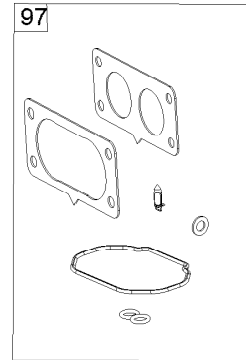
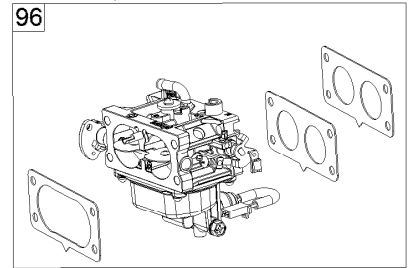
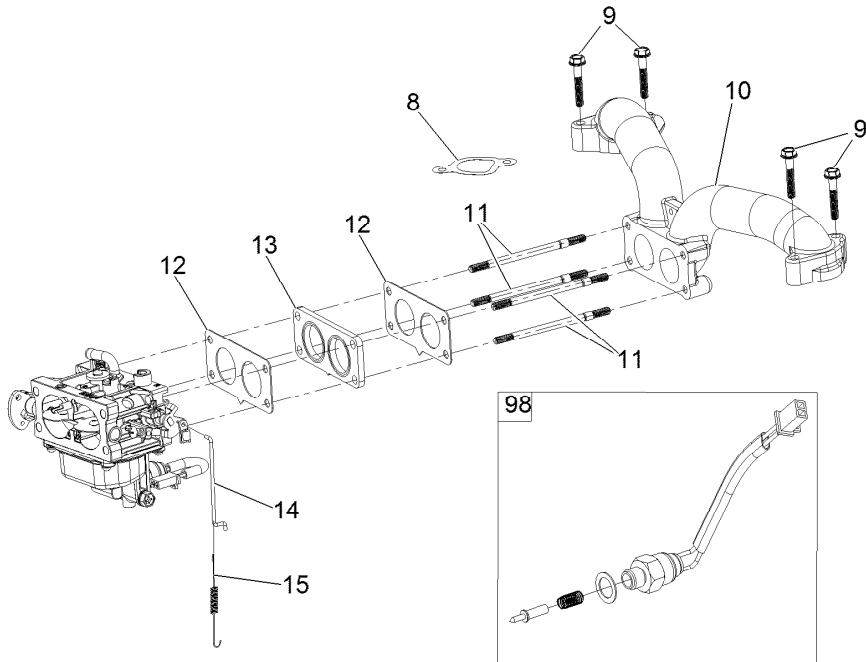
Engine Assembly (continued)

<i>Ref.</i>	<i>Part Number</i>	<i>Qty.</i>	<i>Description</i>	<i>Ref.</i>	<i>Part Number</i>	<i>Qty.</i>	<i>Description</i>
1	139-0603	1	Engine-2P77F	6	3256-24	3	Washer-Flat
2	130-6851	1	Muffler	9	121-0199	4	Nut-HH
3	131-1071-03	1	Shield-Heat	10	127-9279	4	Washer-Lock, Split
4	46-8560	2	Screw-HHFTF	12	120-4317	2	Gasket-Exhaust
5	32144-109	4	Screw-Thd				

Fuel System Assembly



IF EQUIPPED WITH CANISTER TYPE AIR FILTER REFER TO KIT MODEL 136-7860 FOR CARBURETOR ASSEMBLY AND INTERNAL CARBURETOR PARTS

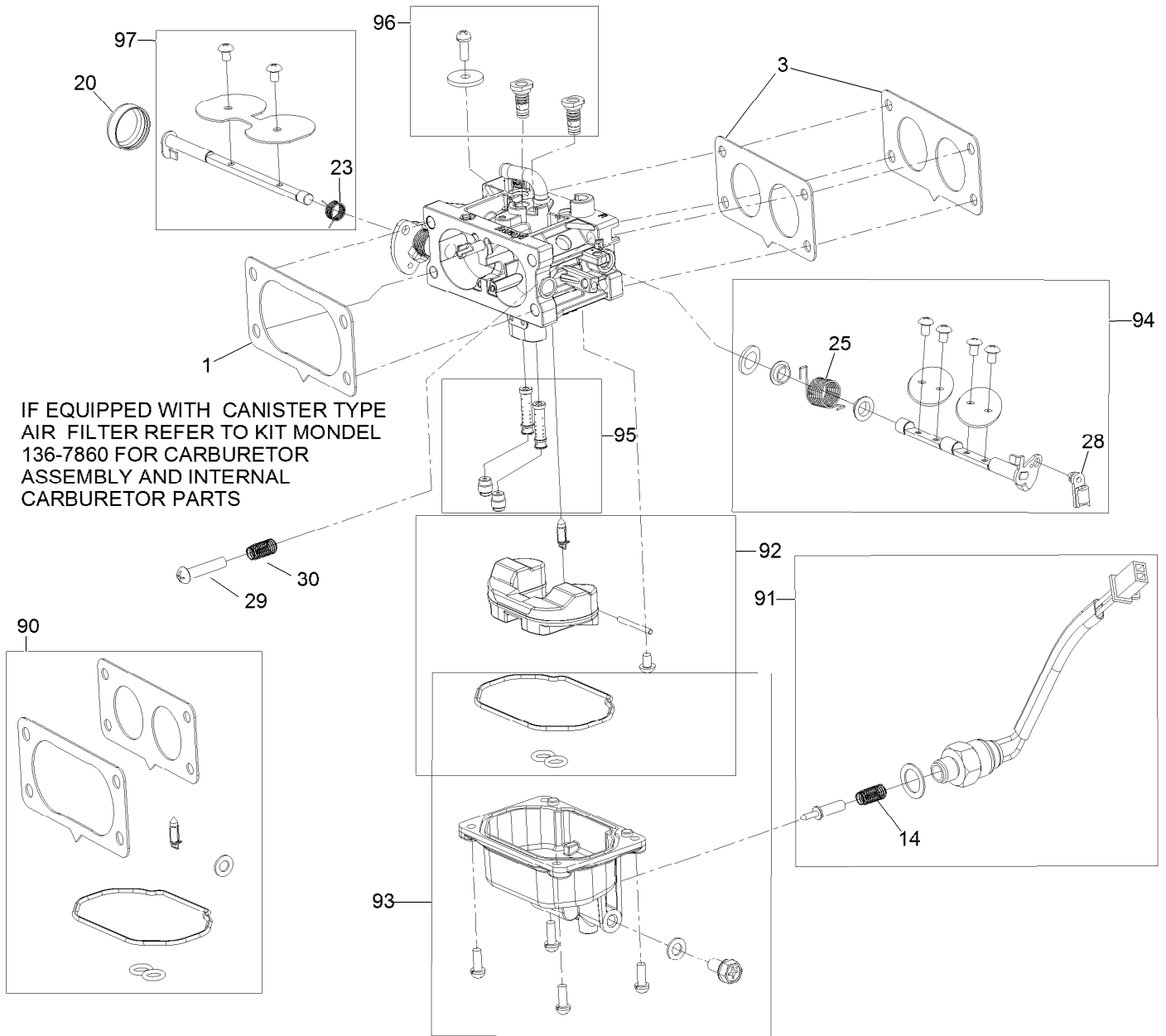


Fuel System Assembly (continued)

<i>Ref.</i>	<i>Part Number</i>	<i>Qty.</i>	<i>Description</i>	<i>Ref.</i>	<i>Part Number</i>	<i>Qty.</i>	<i>Description</i>
1	133-1563	1	Filter-Fuel	11	127-9245	4	Stud
2	120-4251	6	Clamp-Fuel Line	12	127-9246	2	Gasket-Carburetor
3	120-4371	1	Line-Fuel	13	127-9247	1	Insulator-Carburetor
4	127-9206	1	Pump-Fuel	14	133-9963	1	Linkage-Throttle
5	120-4225	2	Screw-HHF	15	133-9964	1	Spring-Return, Throttle
6	127-9205	1	Hose-Fuel	16	127-9355	1	Sleeve-Fuel Line Protector
7	127-9207	1	Hose-Fuel	96	136-7840	1	Carburetor Replacement Kit
8	127-9230	2	Gasket-Intake	97	127-9290	1	Carburetor Repair Kit
9	120-4284	4	Screw-HHF	98	127-9292	1	Solenoid Kit
10	127-9244	1	Manifold-Intake	99	136-7837	1	High Altitude Kit ●

● Not illustrated

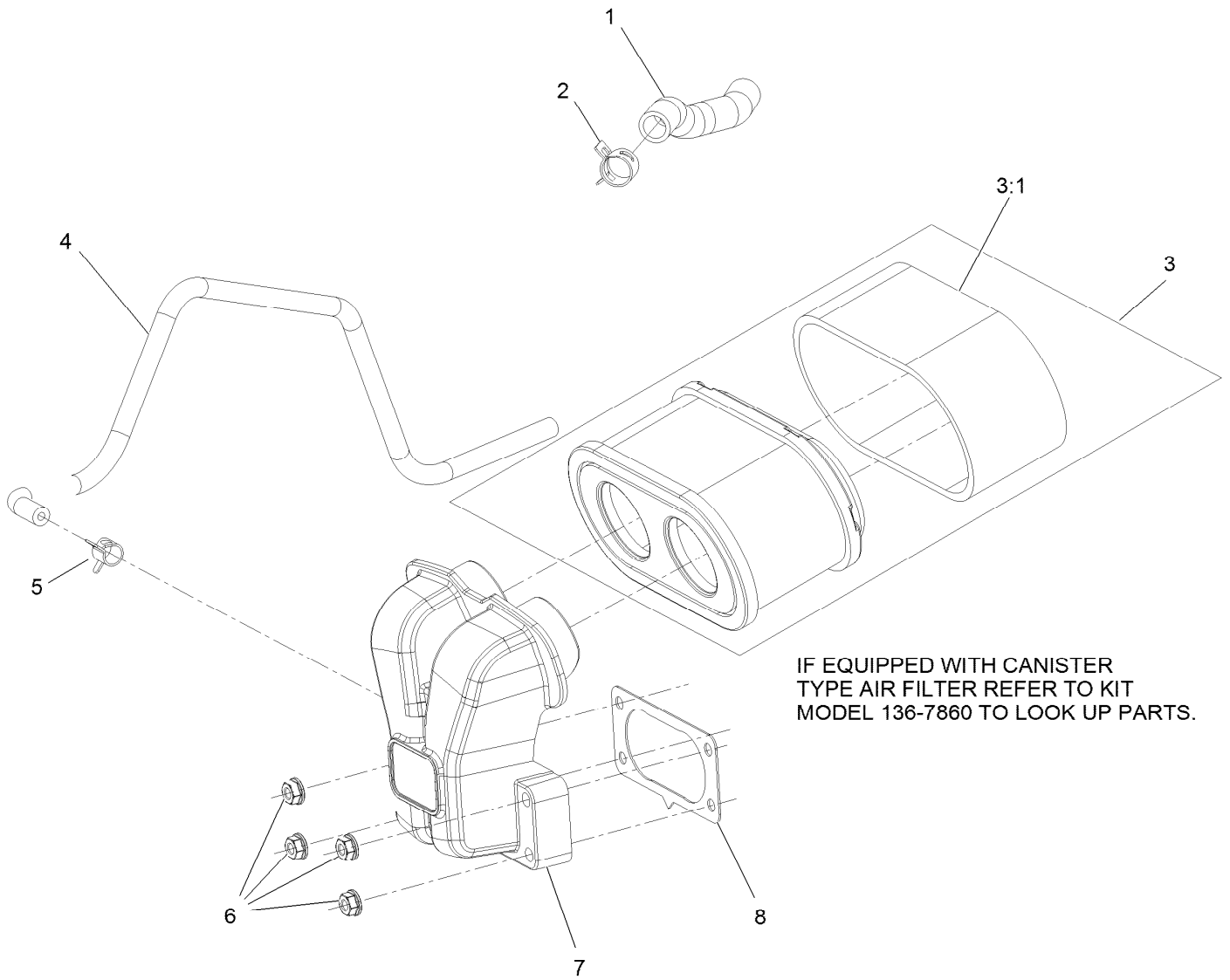
Carburetor Assembly



Carburetor Assembly (continued)

<i>Ref.</i>	<i>Part Number</i>	<i>Qty.</i>	<i>Description</i>	<i>Ref.</i>	<i>Part Number</i>	<i>Qty.</i>	<i>Description</i>
1	127-9251	1	Gasket-Carburetor	90	127-9290	1	Carburetor Repair Kit
3	127-9246	2	Gasket-Carburetor	91	127-9292	1	Solenoid Kit
14	127-9319	1	Spring	92	127-9340	1	Float Kit
20	127-9325	1	Cover-Shaft, Choke	93	127-9341	1	Bowl Kit
23	127-9328	1	Spring	94	133-9817	1	Throttle Shaft Kit
25	127-9330	1	Spring	95	136-7844	1	Nozzle And Jet Kit
28	127-9333	1	Clamp-Lock	96	136-7899	1	Idle Jet Kit
29	127-9334	1	Screw-PPH	97	127-9345	1	Choke Shaft Kit
30	127-9335	1	Spring				

Air Intake and Filtration Assembly

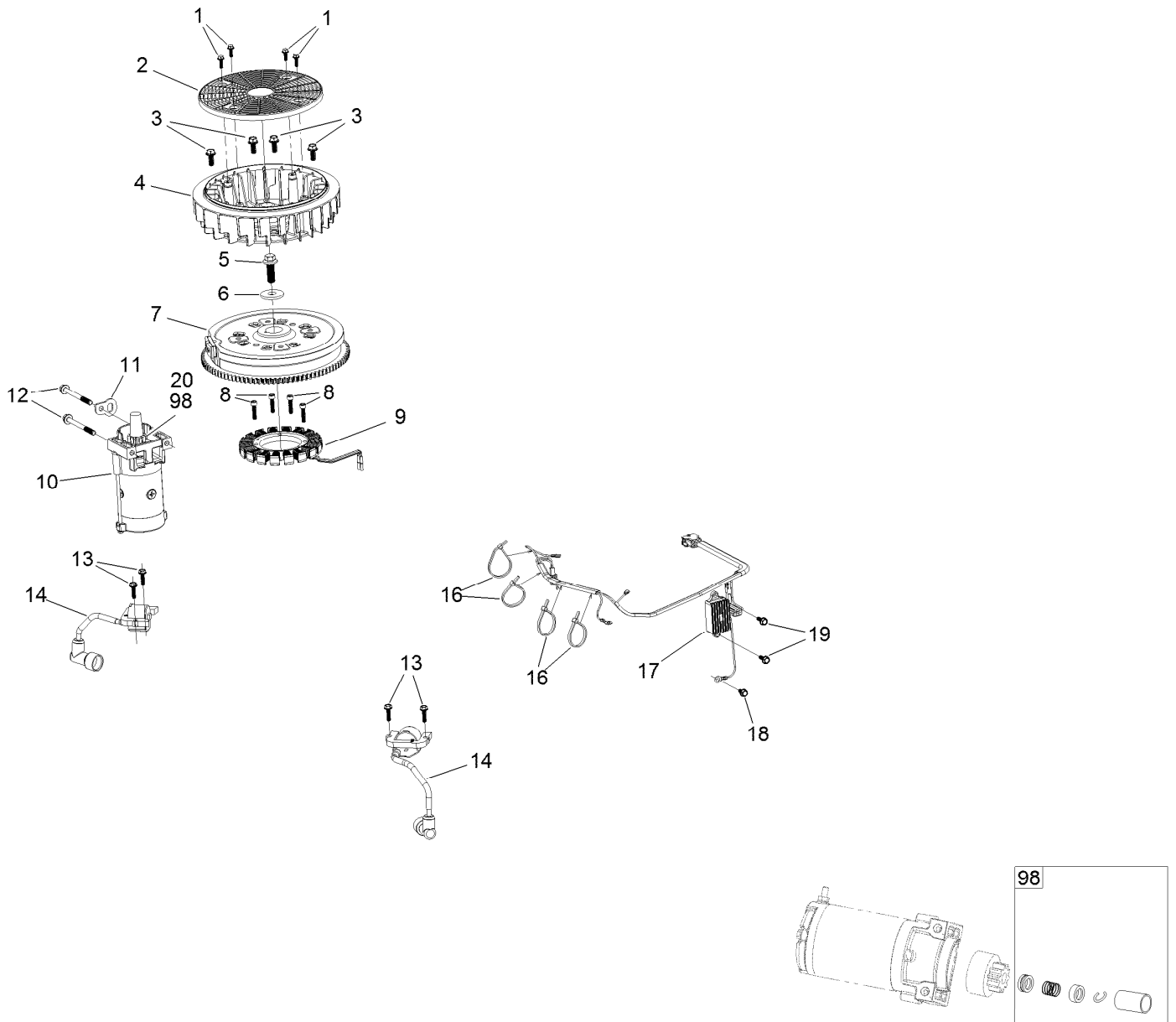


IF EQUIPPED WITH CANISTER
TYPE AIR FILTER REFER TO KIT
MODEL 136-7860 TO LOOK UP PARTS.

Air Intake and Filtration Assembly (continued)

<i>Ref.</i>	<i>Part Number</i>	<i>Qty.</i>	<i>Description</i>	<i>Ref.</i>	<i>Part Number</i>	<i>Qty.</i>	<i>Description</i>
1	127-9235	1	Tube-Breather	5	127-9187	1	Clamp-Hose
2	127-9234	2	Clamp-Hose	6	120-4236	4	Nut-Flange
3	136-7806	1	Air Filter Kit	7	127-9047	1	Manifold-Filter, Air
3:1	136-7804	1	Prefilter	8	127-9251	1	Gasket-Carburetor
4	127-9253	1	Hose-Fuel				

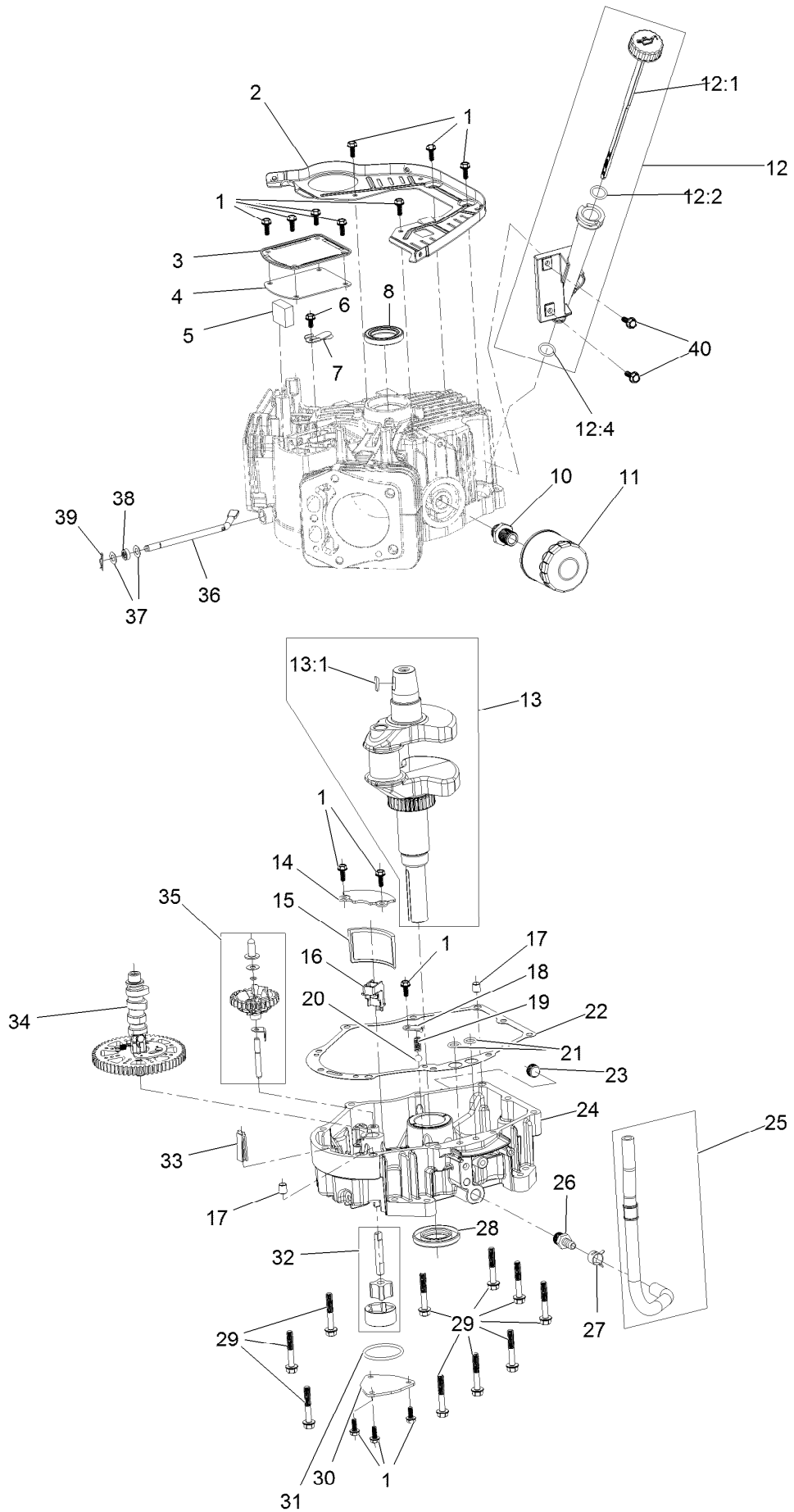
Ignition and Cooling Fan Assembly



Ignition and Cooling Fan Assembly (continued)

<i>Ref.</i>	<i>Part Number</i>	<i>Qty.</i>	<i>Description</i>	<i>Ref.</i>	<i>Part Number</i>	<i>Qty.</i>	<i>Description</i>
1	127-9197	4	Screw-HWH	12	120-4231	2	Screw-HHF
2	127-9198	1	Screen-Rotating	13	121-0007	4	Bolt-Flange
3	127-9199	4	Screw-HWH	14	136-7883	2	Ignition Coil ASM
4	127-9200	1	Fan-Cooling	16	127-9220	4	Tie-Zip
5	127-9201	1	Screw-HWH	17	136-7879	1	Regulator-Voltage, W/Harness
6	127-9202	1	Washer-Spring	18	120-4216	1	Screw-HHF
7	127-9306	1	Flywheel	19	120-4232	2	Screw-HHF
8	127-9210	4	Screw-HSH	20	133-1562	1	Pinion-Starter
9	136-7876	1	Alternator	98	133-1566	1	Starter Repair Kit
10	136-7880	1	Motor-Starter				
11	127-9208	1	Bracket-Lift				

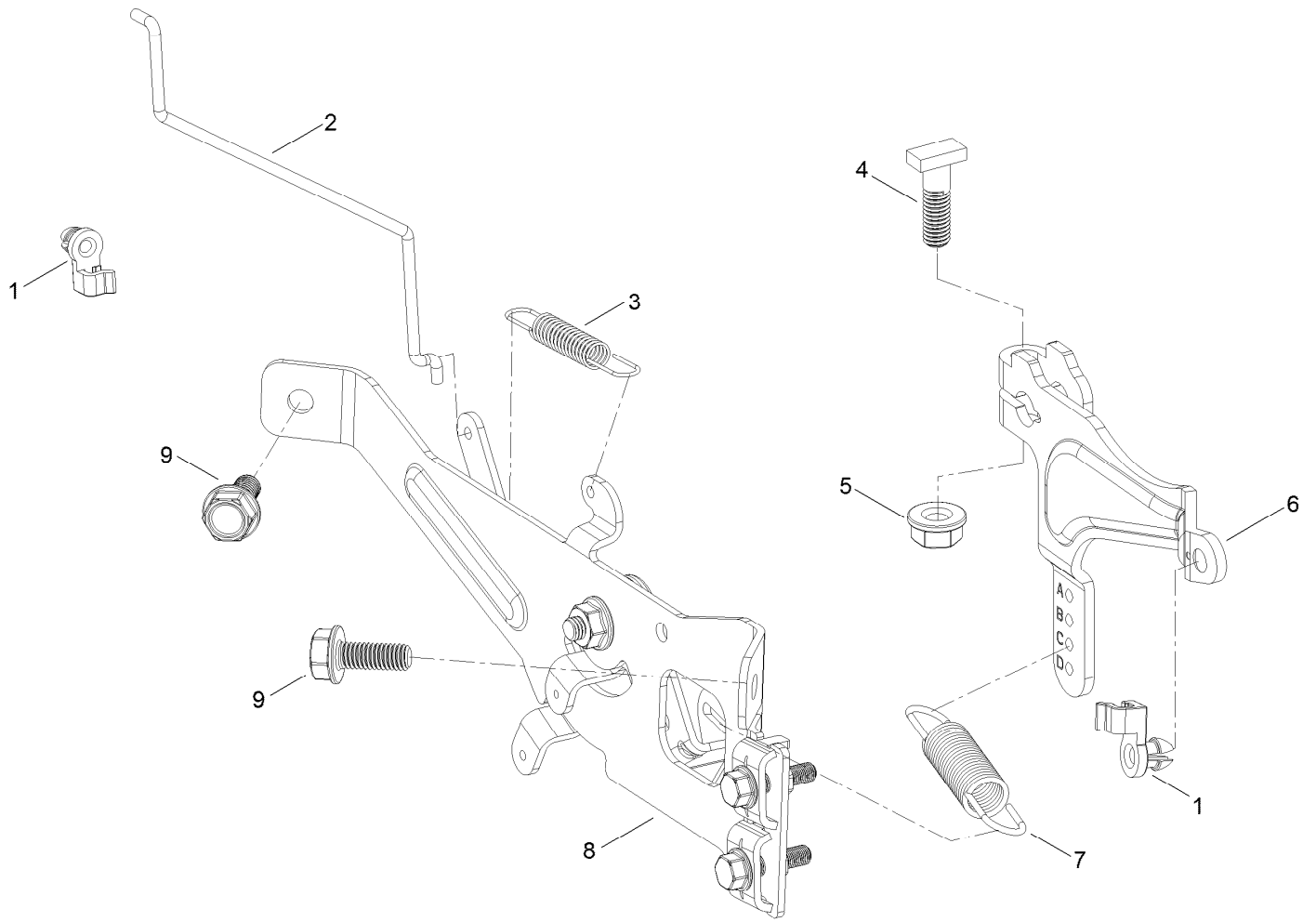
Crankcase and Crankshaft Assembly



Crankcase and Crankshaft Assembly (continued)

<i>Ref.</i>	<i>Part Number</i>	<i>Qty.</i>	<i>Description</i>	<i>Ref.</i>	<i>Part Number</i>	<i>Qty.</i>	<i>Description</i>
1	120-4232	14	Screw-HHF	20	127-9266	1	Valve-Ball
2	127-9212	1	Baffle	21	120-4262	2	O-Ring
3	127-9213	1	Cover-Breather	22	127-9267	1	Gasket-Cover, Crankcase
4	127-9214	1	Gasket-Breather	23	133-9805	1	Plug-Drain
5	127-9215	1	Filter-Breather	24	133-9806	1	Cover-Crankcase
6	120-4216	1	Screw-HHF	25	127-9293	1	Oil Drain Hose ASM
7	127-9217	1	Valve-Breather	26	127-9275	1	Fitting-Hose
8	120-4267	1	Seal-Oil	27	127-9276	1	Clamp-Hose
10	136-7884	1	Adaptor-Filter, Oil	28	127-9271	1	Seal
11	136-7848	1	Filter-Oil	29	121-0473	10	Screw-HHF
12	127-9218	1	Oil Tube ASM	30	127-9274	1	Cover-Oil Pump
12:1	127-9283	1	Dipstick	31	127-9273	1	O-Ring
12:2	127-9284	1	O-Ring	32	127-9272	1	Oil Pump ASM
12:4	127-9286	1	O-Ring	33	120-4275	1	Deflector-Oil, Rubber
13	127-9255	1	Crankshaft	34	133-1568	1	Camshaft
13:1	120-4320	1	Key-Woodruff	35	136-7882	1	Governor ASM
14	127-9261	1	Cover-Screen, Oil	36	127-9238	1	Shaft-Governor
15	127-9262	1	Screen-Oil	37	120-4258	2	Washer-Plain
16	127-9263	1	Retainer-Screen	38	120-4257	1	Seal-Oil
17	120-4274	2	Pin-Dowel	39	120-4256	1	Pin-Hair
18	127-9264	1	Plate-Retainer	40	120-4232	2	Screw-HHF
19	127-9265	1	Spring				

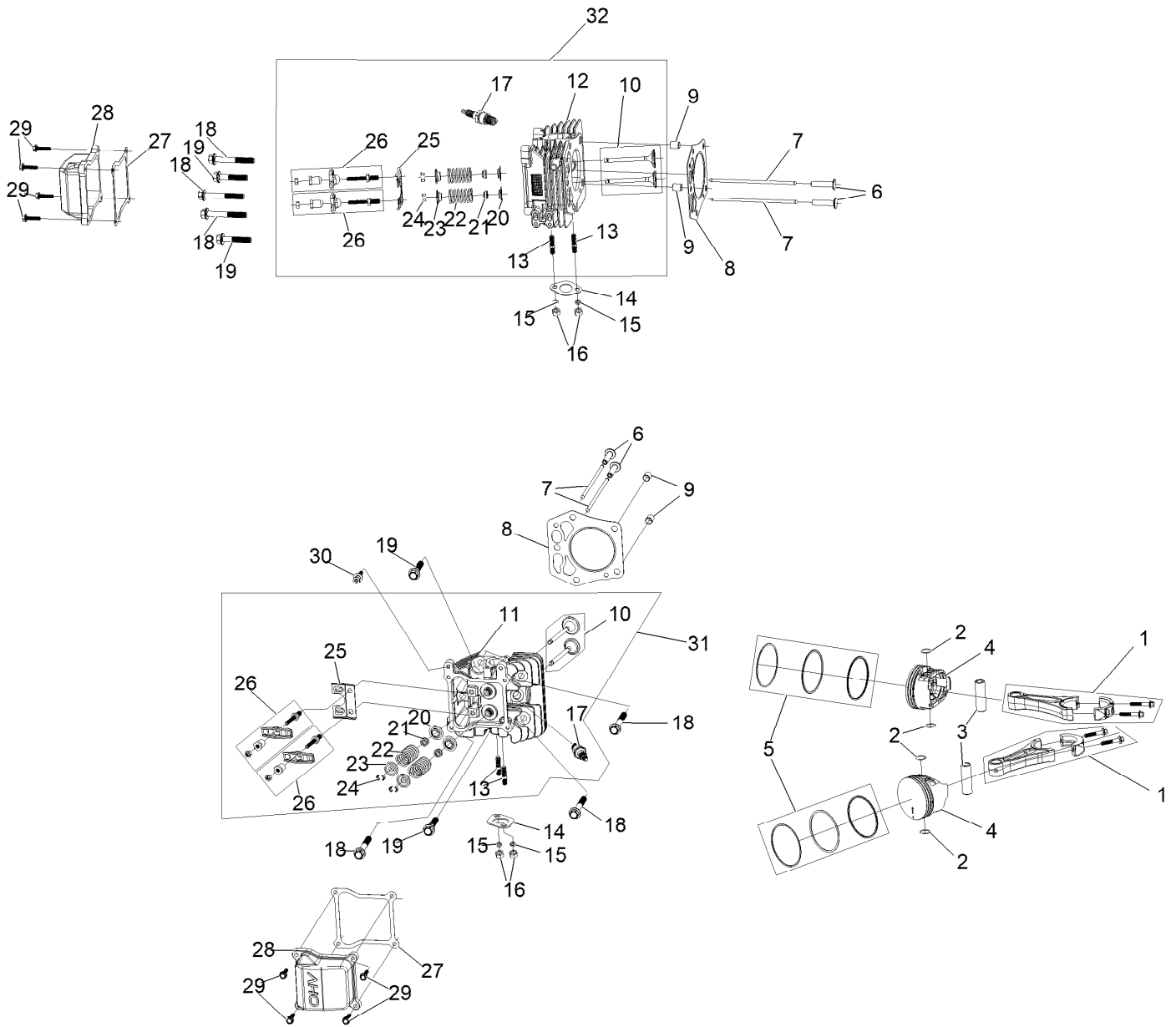
Governor Control Assembly



Governor Control Assembly (continued)

<i>Ref.</i>	<i>Part Number</i>	<i>Qty.</i>	<i>Description</i>	<i>Ref.</i>	<i>Part Number</i>	<i>Qty.</i>	<i>Description</i>
1	127-9250	2	Clip-Linkage	6	133-9961	1	Arm-Governor
2	127-9242	1	Linkage-Choke	7	133-9962	1	Spring-Governor
3	127-9241	1	Spring-Governor	8	133-1570	1	Control Plate ASM
4	120-4238	1	Bolt-Arm, Governor	9	120-4232	2	Screw-HHF
5	120-4236	1	Nut-Flange				

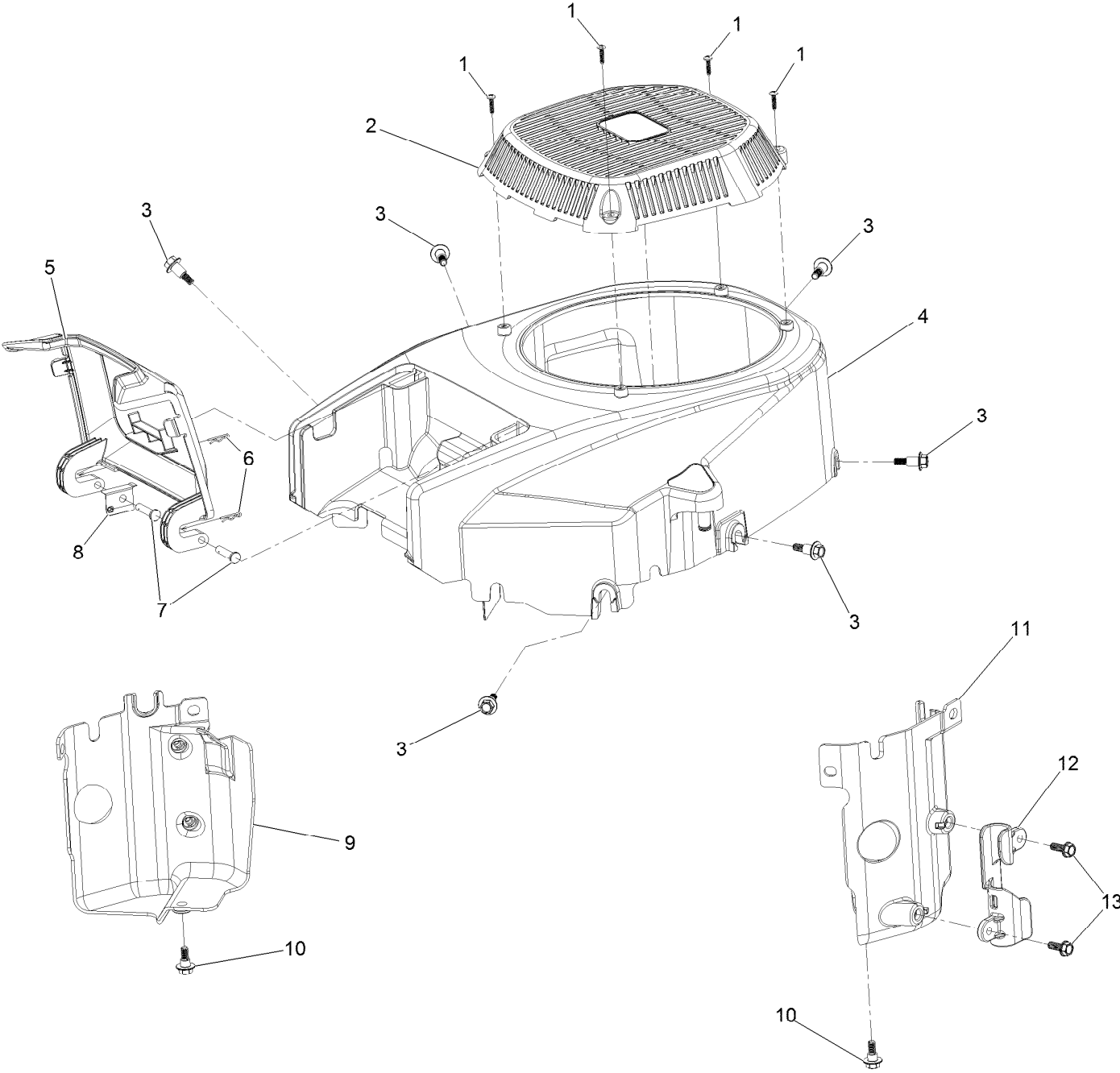
Piston and Cylinder Head Assembly



Piston and Cylinder Head Assembly (continued)

<i>Ref.</i>	<i>Part Number</i>	<i>Qty.</i>	<i>Description</i>	<i>Ref.</i>	<i>Part Number</i>	<i>Qty.</i>	<i>Description</i>
1	127-9256	2	Connecting Rod ASM	17	81-3250	2	Spark Plug
2	127-9258	4	Clip-Pin, Piston	18	127-9231	6	Screw-HWH
3	127-9257	2	Pin-Piston	19	127-9232	4	Screw-HWH
4	127-9259	2	Piston	20	120-4303	4	Seat-Spring, Valve
5	127-9260	2	Piston Ring Set	21	120-4304	4	Seal-Stem, Valve
6	127-9224	4	Lifter-Valve	22	120-4305	4	Spring-Valve
7	127-9225	4	Rod-Push	23	120-4306	4	Retainer-Spring, Valve
8	127-9226	2	Gasket-Head, Cylinder	24	120-4307	8	Keeper-Valve
9	127-9227	4	Pin-Dowel	25	127-9233	2	Plate-Guide, Push Rod
10	127-9228	2	Valve Set	26	136-7881	4	Rocker Arm ASM
11	133-9802	1	Head-Cylinder, Right	27	127-9295	2	Gasket-Valve Cover
12	133-9804	1	Head-Cylinder, Left	28	127-9050	2	Cover-Valve
13	121-0464	4	Stud-Exhaust	29	120-4225	8	Screw-HHF
14	120-4317	2	Gasket-Exhaust	30	120-4214	1	Screw-Shoulder, HH
15	127-9279	4	Washer-Lock, Split	31	136-7891	1	Complete Right Head ASM
16	121-0199	4	Nut-HH	32	136-7892	1	Complete Left Head ASM

Blower Housing Assembly

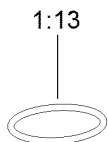
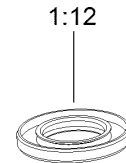
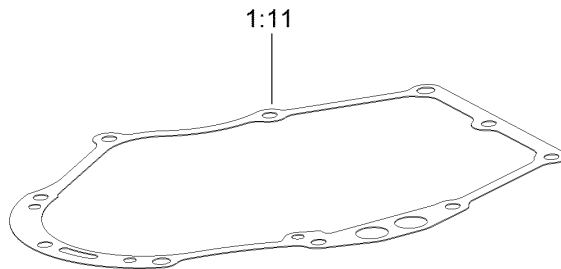
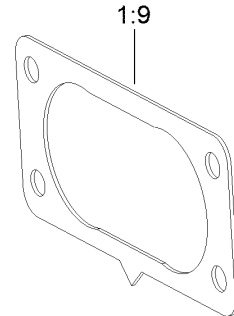
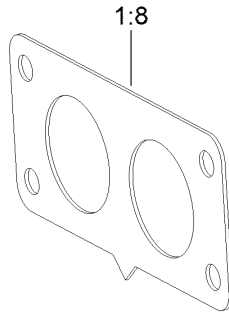
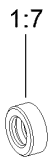
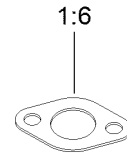
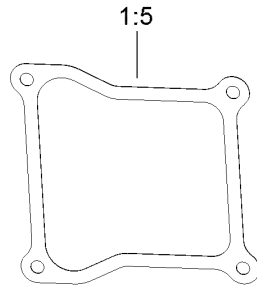
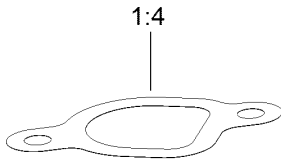
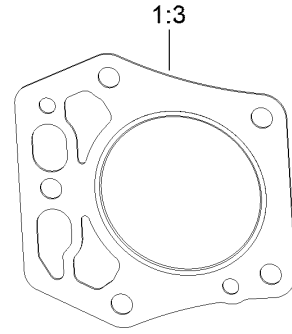
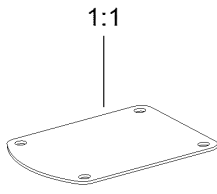


Blower Housing Assembly (continued)

<i>Ref.</i>	<i>Part Number</i>	<i>Qty.</i>	<i>Description</i>	<i>Ref.</i>	<i>Part Number</i>	<i>Qty.</i>	<i>Description</i>
1	133-1571	4	Screw-PPH, Plastic	8	127-9281	1	Plate-Spring
2	127-9045	1	Cover-Fan	9	136-7877	1	Baffle-Air, Left
3	127-9196	6	Screw-Shoulder, HWH	10	120-4210	2	Screw-Shoulder, HHF
4	133-1572	1	Shroud-Engine	11	136-7878	1	Baffle-Air, Right
5	127-9046	1	Door-Filter, Air	12	127-9287	1	Cleat-Hose
6	127-9280	2	Pin-Hair	13	120-4232	2	Screw-HHF
7	127-9282	2	Pin				

Gasket and Seal Kit

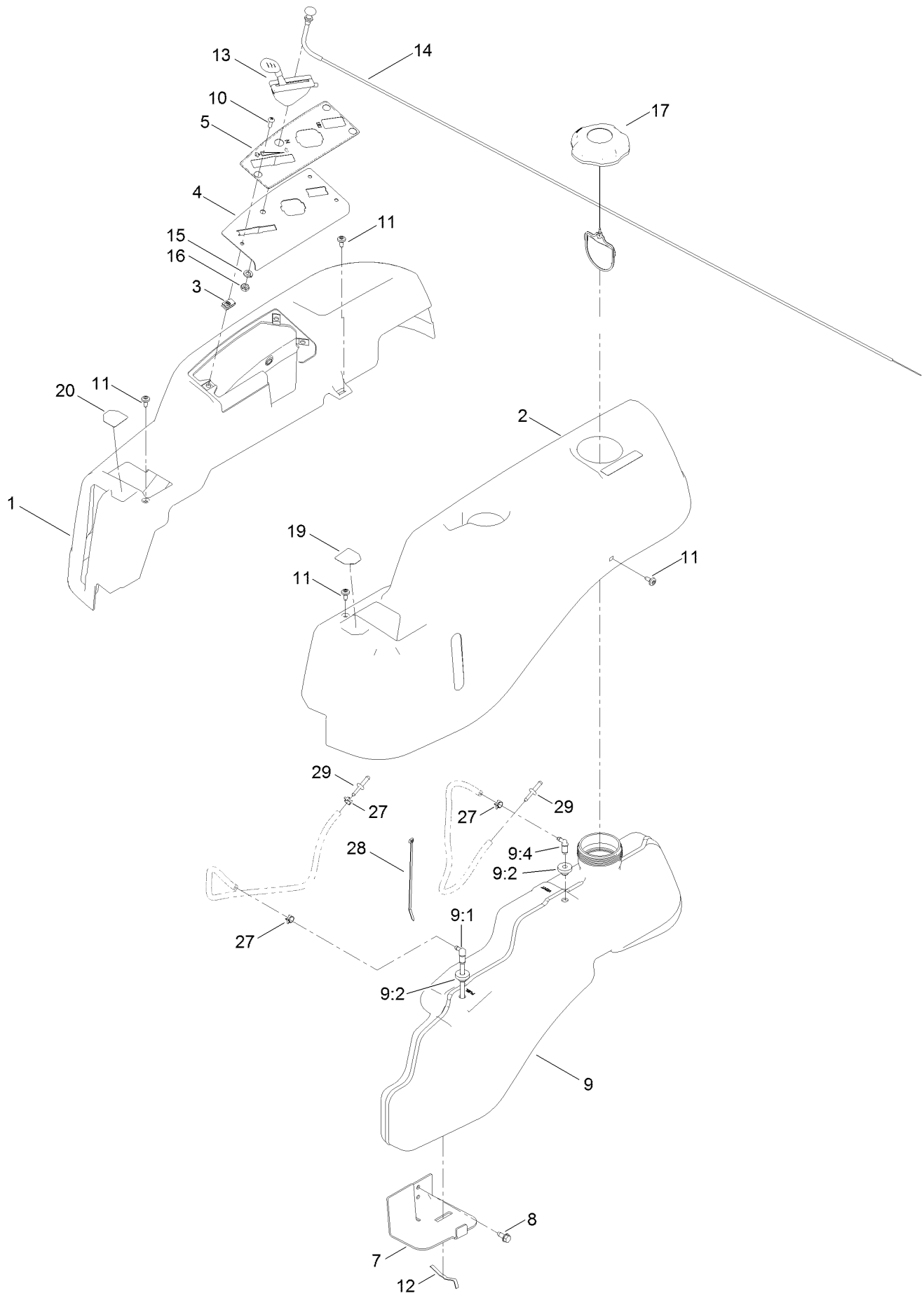
1



Gasket and Seal Kit (continued)

<i>Ref.</i>	<i>Part Number</i>	<i>Qty.</i>	<i>Description</i>	<i>Ref.</i>	<i>Part Number</i>	<i>Qty.</i>	<i>Description</i>
1	127-9296	1	Gasket And Seal Kit	1:8	127-9246	2	Gasket-Carburetor
1:1	127-9214	1	Gasket-Breather	1:9	127-9251	1	Gasket-Carburetor
1:2	120-4267	1	Seal-Oil	1:10	120-4262	2	O-Ring
1:3	127-9226	2	Gasket-Head, Cylinder	1:11	127-9267	1	Gasket-Cover, Crankcase
1:4	127-9230	2	Gasket-Intake	1:12	127-9271	1	Seal
1:5	127-9295	2	Gasket-Valve Cover	1:13	127-9273	1	O-Ring
1:6	120-4317	2	Gasket-Exhaust	1:14	127-9284	1	O-Ring
1:7	120-4257	1	Seal-Oil	1:15	127-9286	1	O-Ring

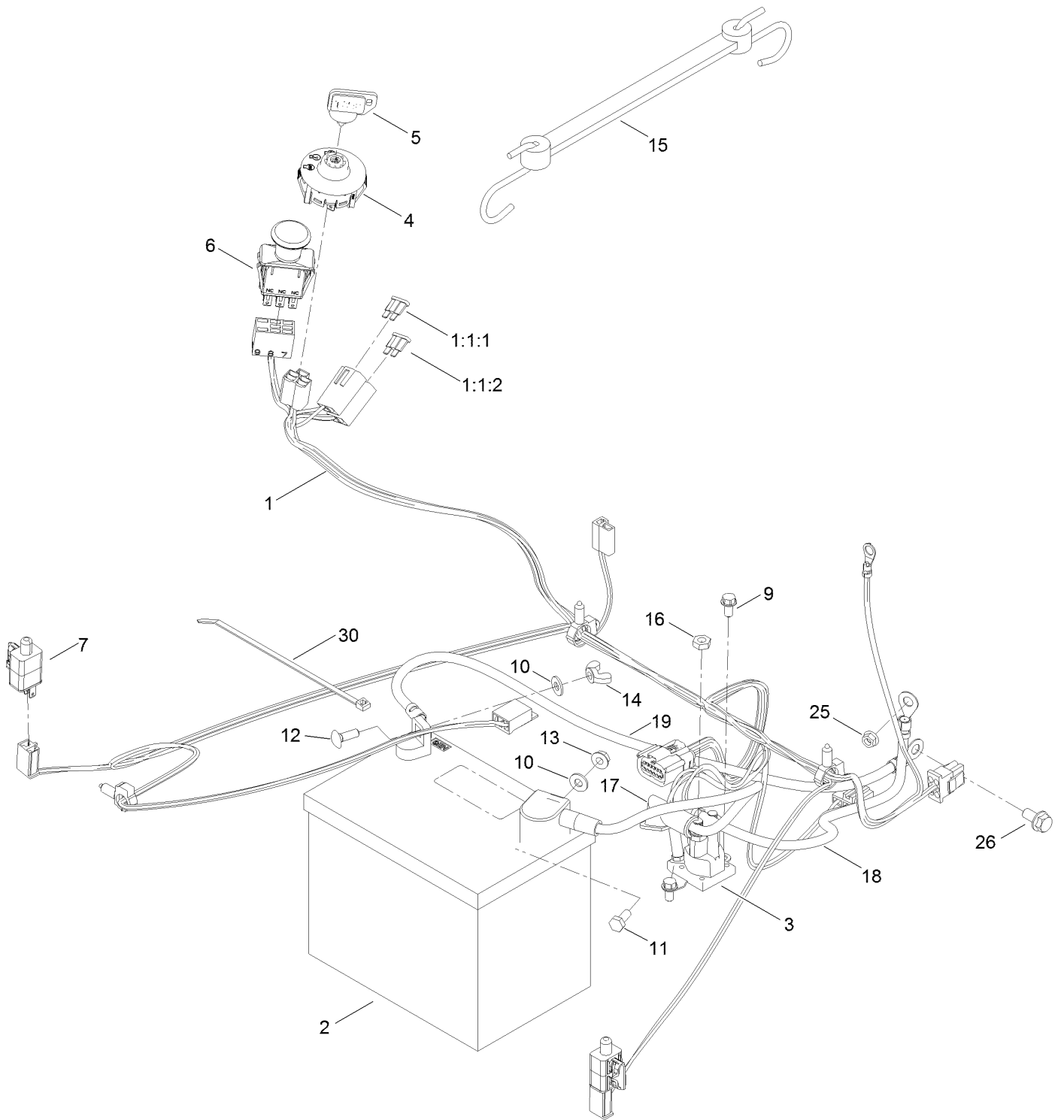
Body Styling and Fuel Tank Assembly



Body Styling and Fuel Tank Assembly (continued)

<i>Ref.</i>	<i>Part Number</i>	<i>Qty.</i>	<i>Description</i>	<i>Ref.</i>	<i>Part Number</i>	<i>Qty.</i>	<i>Description</i>
1	137-5063	1	Pod-RH, Narrow	11	120-7950	6	Screw-Torx
2	137-5064	1	Pod-LH, Narrow	12	609830	2	Spring
3	107069	3	Clip	13	121-0769	1	Cable-Throttle
4	119-3378-03	1	Plate-Control	14	112-9753	1	Cable-Choke
5	121-0772	1	Decal-Panel, Control	15	3253-21	1	Washer-Lock
7	119-3476-03	1	Support-Tank, Front	16	3220-3	1	Nut-HJ
8	32144-70	4	Screw-HWHTF	17	137-4119	1	Cap-Fuel, Ratcheting
9	119-3324	1	Fuel Tank ASM	19	119-8814	1	Decal-Lever, Control (LH)
9:1	121-0793	1	Connector-Elbow, 90 DEG	20	119-8815	1	Decal-Lever, Control (RH)
9:2	46-6560	2	Bushing	27	2412-98	3	Clamp-Hose
9:4	117-7400	1	Fitting-Plastic	28	614249	1	Tie-Cable
10	3258-166	3	Screw-PRH	29	117-5399	1	Adaptor-Orifice

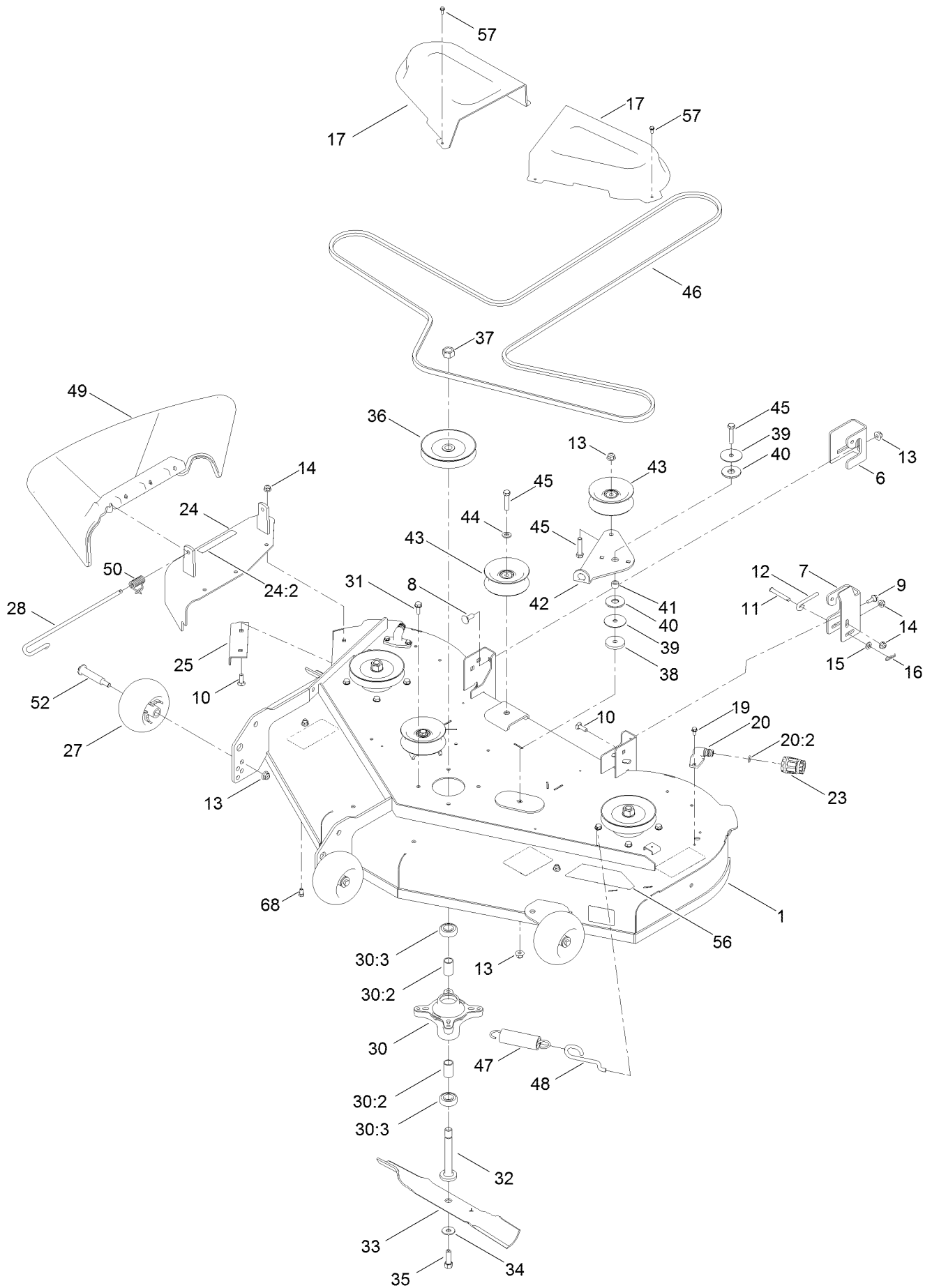
Battery and Electrical Assembly



Battery and Electrical Assembly (continued)

<i>Ref.</i>	<i>Part Number</i>	<i>Qty.</i>	<i>Description</i>	<i>Ref.</i>	<i>Part Number</i>	<i>Qty.</i>	<i>Description</i>
1	136-7482	1	Harness-Wire	11	321-3	1	Screw-HH
1:1:1	109103	1	Fuse-Blade, 30 Amp	12	3229-1	1	Screw-CARR
1:1:2	109102	1	Fuse-Blade, 25 Amp	13	32128-33	1	Nut-HF
2	105-1692	1	Battery, 230CCA W/O Electrolyte	14	32103-22	1	Nut-Wing
3	117-1197	1	Solenoid	15	104-2466	1	Holddown-Battery
4	137-4100	1	Switch-Ignition	16	3220-2	2	Nut-Jam
5	63-8360	1	Key-Ignition	17	119-8897	1	Cable-Battery, Red
6	103-5221	1	Switch-PTO	18	121-0711	1	Cable-Battery, Positive
7	110-6765	2	Switch	19	119-8899	1	Cable-Battery, Black
9	32144-4	2	Screw-HWH	25	33003-00	1	Nut-HF
10	3256-22	2	Washer-Flat	26	3234-14	1	Screw-HHF
				30	614249	1	Tie-Cable

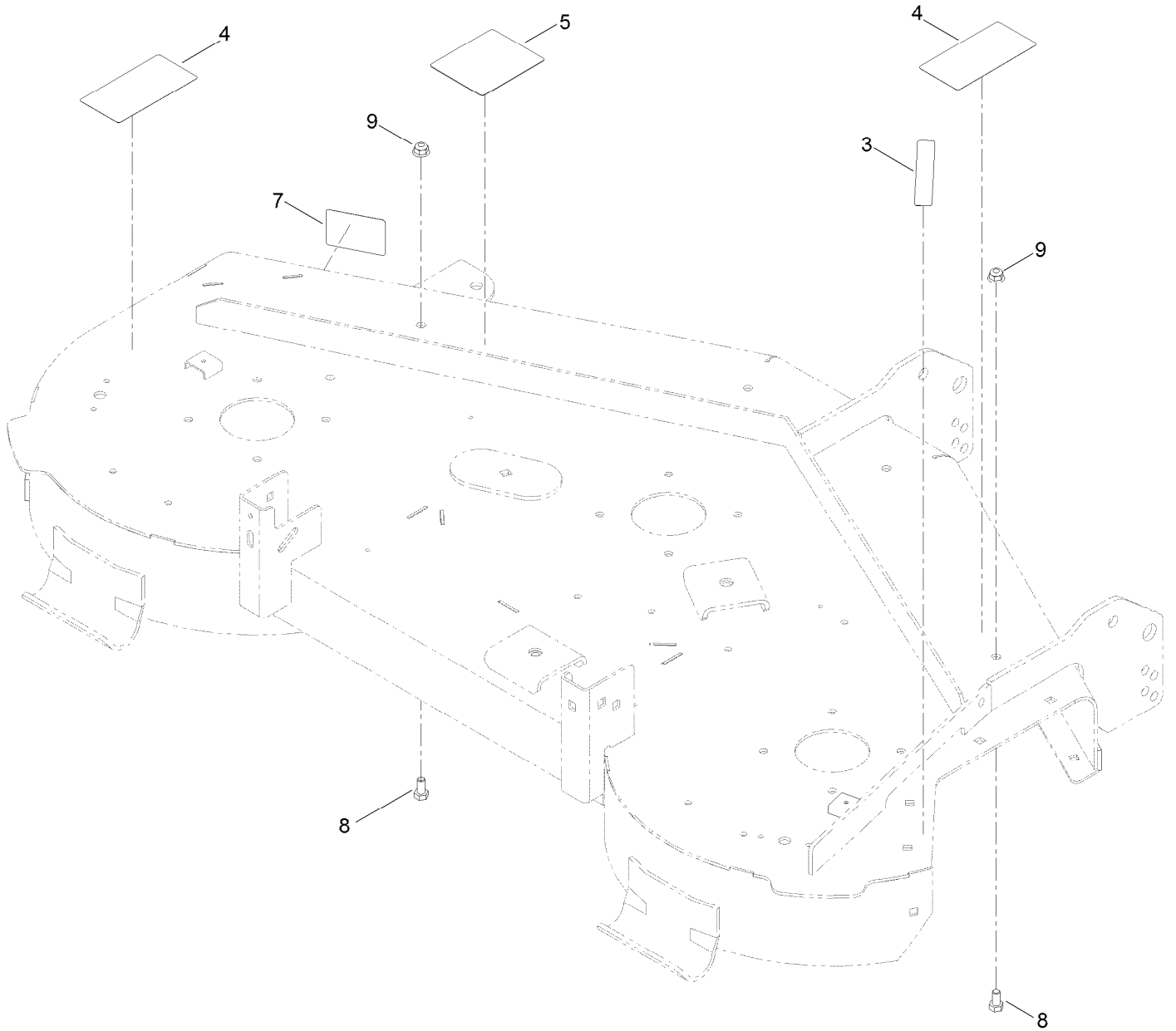
50 Inch Deck Assembly



50 Inch Deck Assembly (continued)

<i>Ref.</i>	<i>Part Number</i>	<i>Qty.</i>	<i>Description</i>	<i>Ref.</i>	<i>Part Number</i>	<i>Qty.</i>	<i>Description</i>
1	131-3614	1	Deck And Decal ASM	31	32144-41	12	Screw-Taptite
6	131-4138	1	Bracket-Hanger, RH	32	117-7268	3	Shaft-Spindle
7	131-3935	1	Bracket-Hanger, LH	33	115-5059-03	3	Blade-Hi Lift
8	3231-2	2	Bolt-CARR	34	3290-465	3	Washer-Belleville
9	120-7024	1	Screw-Shoulder, HWH	35	26-0671	3	Screw-HH
10	3230-22	5	Screw-CARR	36	125-5575	3	Pulley
11	110-0618	1	Pin-Clevis	37	3219-6	3	Nut-Hex
12	131-0955	1	Rod-Level, Deck	38	110-9981	1	Washer-Plain
13	104-8301	7	Nut-HF, NI	39	120-2229	2	Washer
14	104-8300	8	Nut-HF, NI	40	114-0463	2	Washer-Friction, Composite
15	3256-23	1	Washer-Plain	41	115-4986	1	Spacer
16	1-806003	1	Pin-Cotter	42	114-8540	1	Arm-Idler
17	108-7890	2	Cover-Belt	43	132-9420	3	Pulley-Idler, Flat
19	32144-4	4	Screw-HWH	44	3256-24	2	Washer-Flat
20	133-9289	2	Fitting-Washout	45	323-9	4	Screw-HH
20:2	133-9290	1	O-Ring	46	130-0843	1	Belt-V
23	95-3270	1	Connector-Hose	47	1-603414	1	Spring-Extension
24	131-3962	1	Cover ASM W/Decal	48	112-3973	1	Hook-Return, Spring
24:2	93-7009	1	Decal-Danger	49	121-0739	1	Deflector-Discharge
25	120-7951-03	1	Baffle-Cutoff	50	121-2983	1	Spring-Torsion
27	1-603299	3	Roller-Scalp, Anti	52	112-3977	3	Bolt-Shoulder
28	109-8854	1	Pin-Chute	56	121-0792	1	Decal-Deck
30	121-0751	3	Spindle ASM	57	32144-1	6	Screw-Taptite
30:2	120-7935	2	Spacer	68	322-2	2	Screw-HH
30:3	136-5441	2	Bearing-Ball				

50 Inch Deck and Decal Assembly No. 131-3614

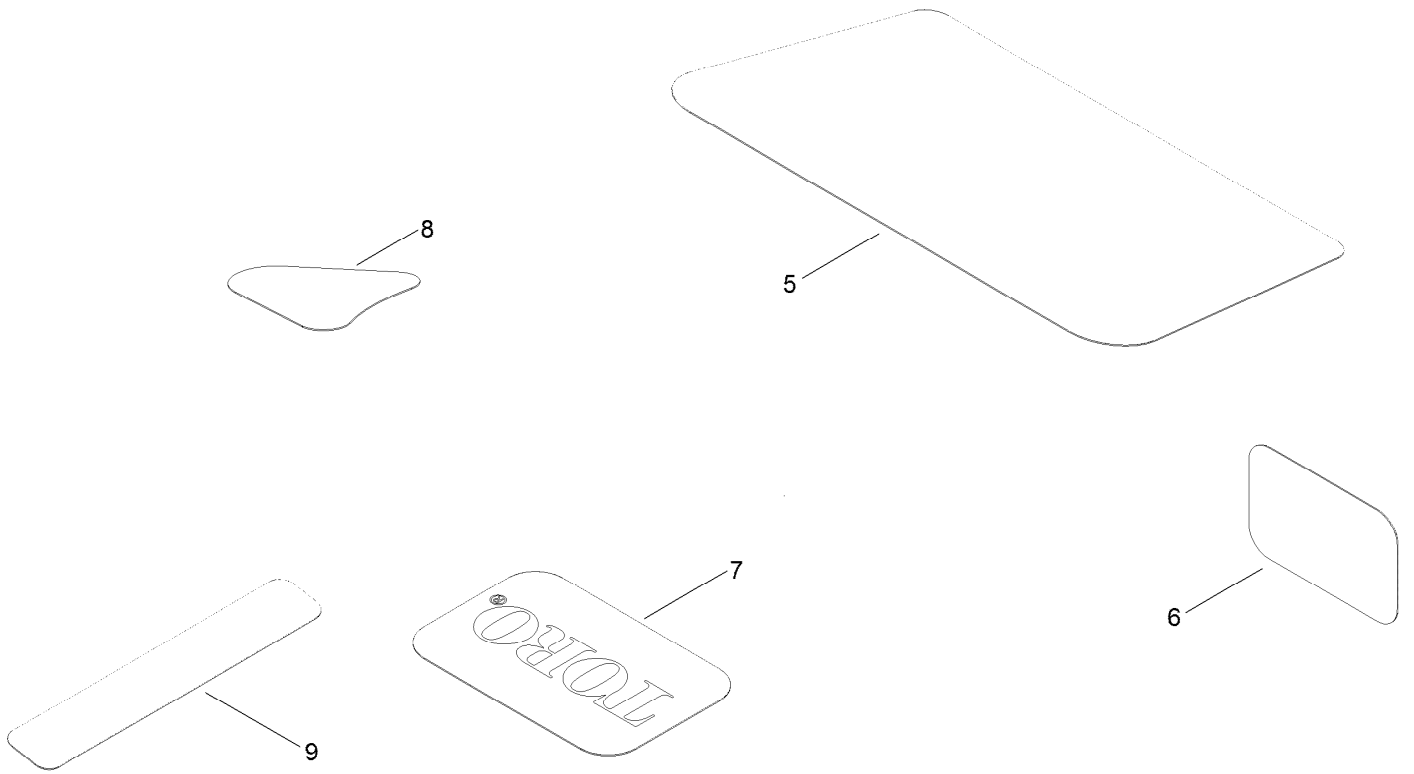


50 Inch Deck and Decal Assembly No. 131-3614 (continued)

<i>Ref.</i>	<i>Part Number</i>	<i>Qty.</i>	<i>Description</i>
3	93-7009	1	Decal-Danger
4	132-0872	2	Decal-Danger, Deck
5	99-3943	1	Decal-Routing, Belt

<i>Ref.</i>	<i>Part Number</i>	<i>Qty.</i>	<i>Description</i>
7	112-9840	1	Decal-Scalp, Anti
8	322-2	2	Screw-HH
9	104-8300	2	Nut-HF, NI

Model Specific Decal Assembly

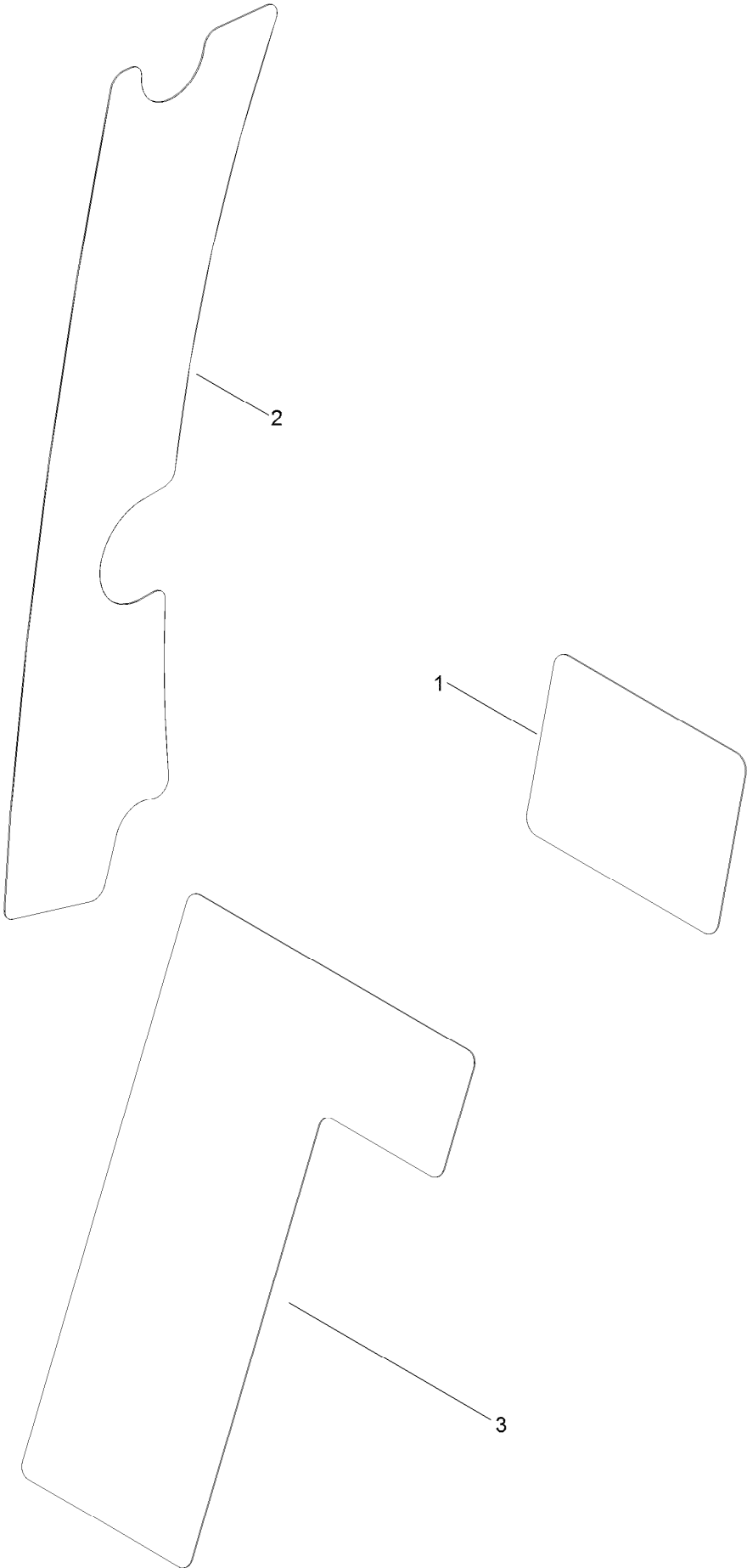


Model Specific Decal Assembly (continued)

<i>Ref.</i>	<i>Part Number</i>	<i>Qty.</i>	<i>Description</i>
5	136-5597	1	Decal-Engine
6	127-9076	1	Placard-Intake
7	131-4157	1	Decal

<i>Ref.</i>	<i>Part Number</i>	<i>Qty.</i>	<i>Description</i>
8	131-1097	1	Decal-Drain, Oil
9	132-0904	1	Decal-Shutdown

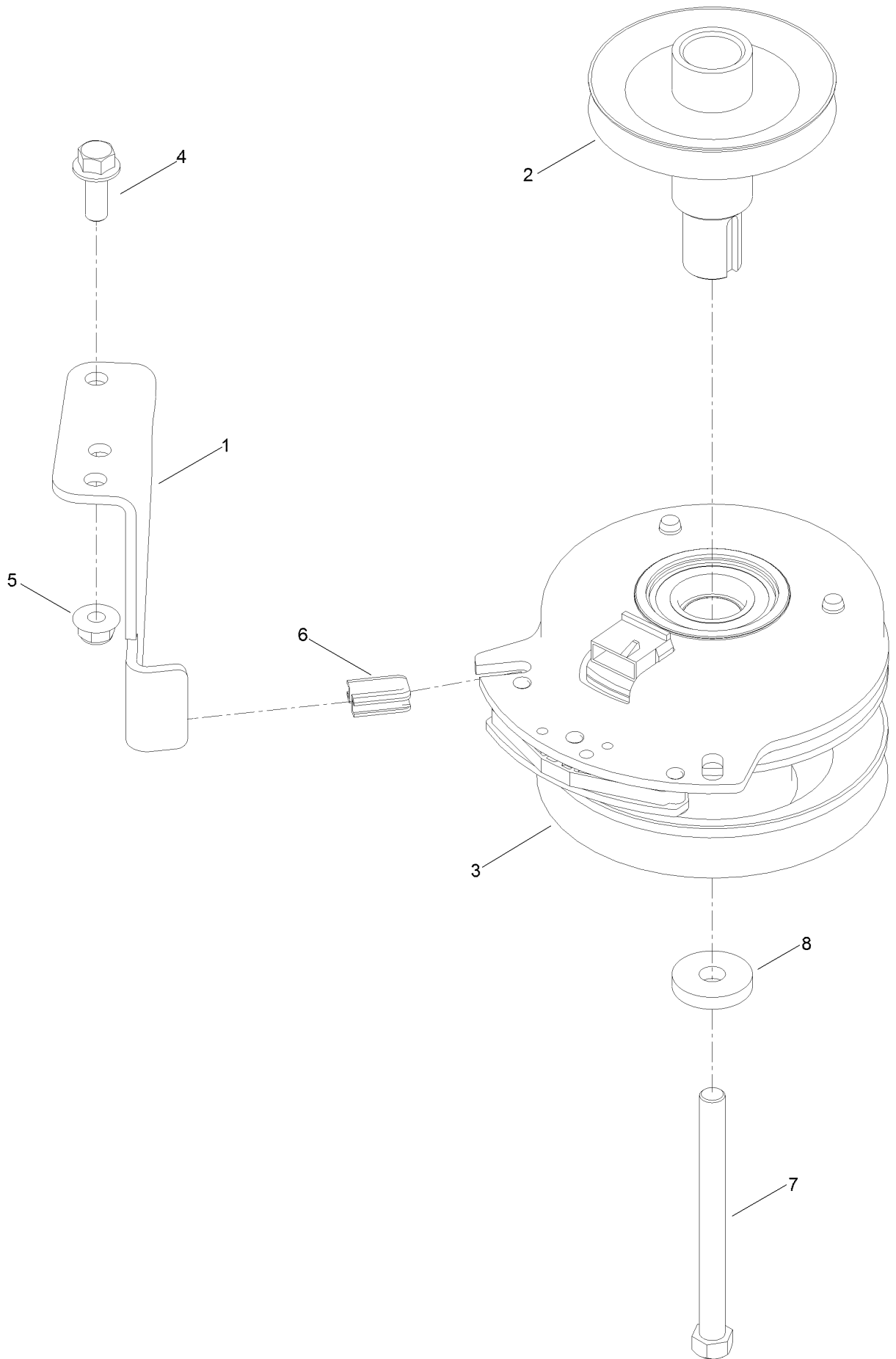
Maintenance, HOC and Smart Speed Decal Assembly



Maintenance, HOC and Smart Speed Decal Assembly (continued)

<i>Ref.</i>	<i>Part Number</i>	<i>Qty.</i>	<i>Description</i>
1	136-5596	1	Decal-Maintenance
2	119-8871	1	Decal-HOC
3	136-4245	1	Decal-Smart Speed

Clutch Assembly



Clutch Assembly (continued)

<i>Ref.</i>	<i>Part Number</i>	<i>Qty.</i>	<i>Description</i>	<i>Ref.</i>	<i>Part Number</i>	<i>Qty.</i>	<i>Description</i>
1	137-7000	1	Stop-Clutch (Wide)	5	104-8301	1	Nut-HF, NI
2	130-6854	1	Pulley-Engine	6	120-2217	1	Isolator-Clutch
3	127-3410	1	Clutch-PTO	7	3212-19	1	Screw-HH
4	3234-42	1	Screw-HHF	8	112843	1	Washer

Attachments and Accessories

For 74768 TimeCutter MX 5075 Riding Mower

Product Name	Model/Part
Hourmeter Kit	116-5461
All Season Synthetic Oil (10W30, QT)	117-0066
Seat Cover w/Arm Rest	117-0097
Bagging Enhancement Kit	121-5692
Striping Kit	121-5706
Jack Mount Kit	126-5251
Jack Kit	127-6666
Fuel Stabilizer .05 oz	130-2393
4-Cycle Fuel, Snow And Lawn 32oz Can	131-3823
Attachment Mount Kit	131-3966
Toro Premium Fuel Treatment 12 Oz Bottle	131-6572
Weight Kit	131-7658
Toro V-Twin Engine Maintenance Kit	132-4878
Maintenance Kit Toro V-Twin HD Engine	136-7847
HD Air Cleaner Kit	136-7860
HD Shock and Spring Kit	137-2042
Pro-Control Damper Kit	138-7588
10w30 4-Cycle Engine Oil (32oz Bottle).....	38280
Toro 4-Cycle SAE 30 Oil (32oz Bottle)	38903
Storage Cover	490-7516
Blade Kit	79016P
50in Recycler Kit.....	79024
50in Bagger	79398

Notes:



Count on it.