



Count on it.

Parts Catalog

**TimeCutter® HD ZX5400
Riding Mower**

Model No. 75202—Serial No. 401500000 and Up



Ordering Replacement Parts

To order replacement parts, please supply the part number, the quantity, and the description of each part desired.

Understanding Reference Numbers

Each identified part in an illustration has a reference number. The reference number for a part also appears in the parts list, along with other information about the part.

This catalog uses two special reference number formats, one to indicate parts in a service assembly and another to indicate the quantity of a given part in an illustration.

Service Assembly Reference Numbers

Parts in service assemblies have reference numbers in the form a:b. The a represents the reference number of the entire service assembly and the b represents a sequential number unique to each part within the service assembly.

For example, a wheel assembly might be identified by reference number 6, the tire by 6:1, the valve by 6:2, and the wheel by 6:3. When you order the assembly identified by reference number 6, you receive all parts identified by reference numbers 6:1, 6:2, and 6:3. However, you may also order any part individually. Reference numbers of this type appear in illustration and in parts lists.

Reference Numbers Indicating Quantity

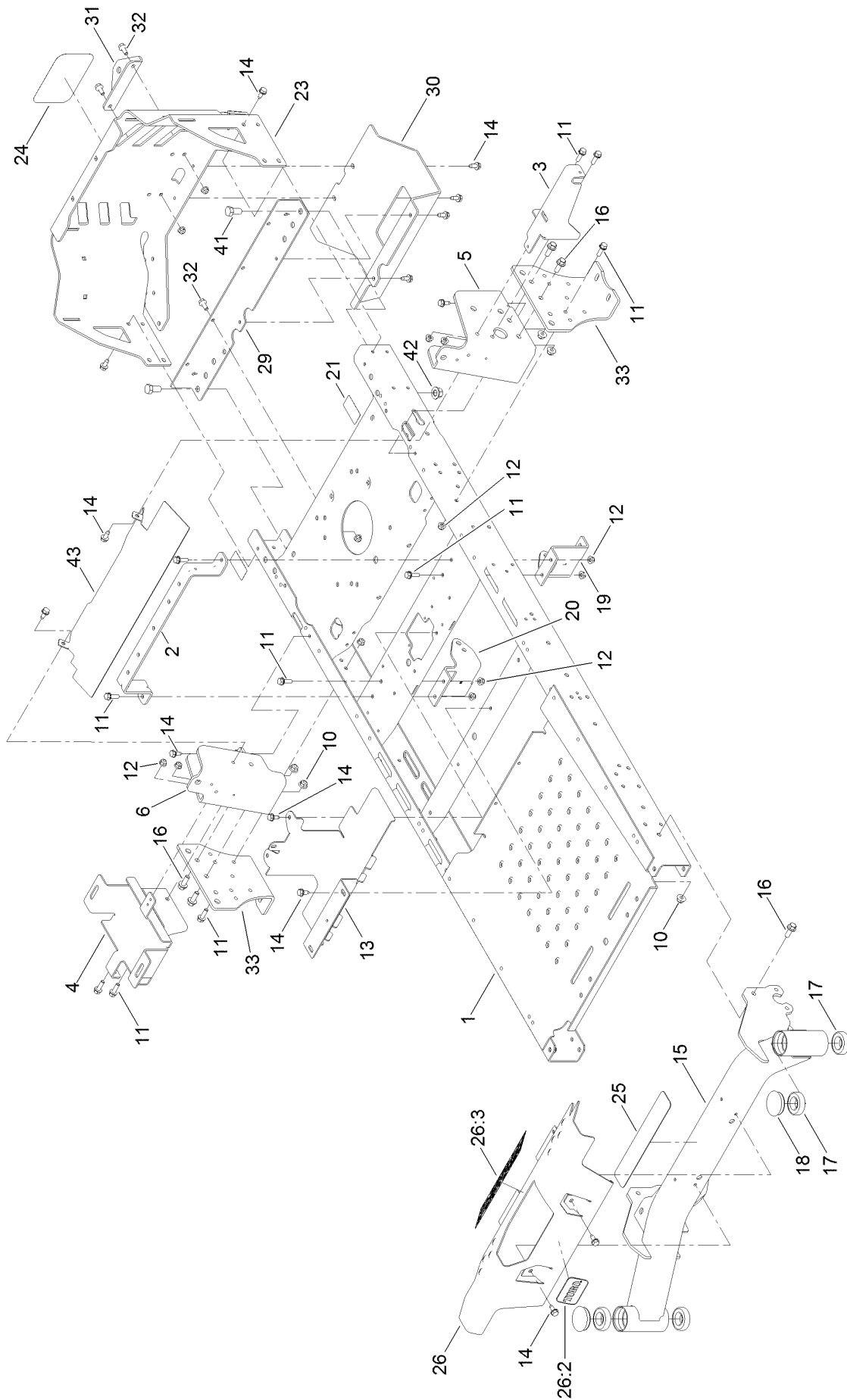
In an illustration, if a reference number indicates more than one part, the reference number has the form nX y. The n represents the quantity of the part, the X is the multiplication symbol, and the y represents the reference number.

For example, in an illustration, the reference number 2X 37 means that two of the parts identified by reference number 37 are indicated.

Contents

Frame Assembly	4
Deck Lift Assembly	6
Caster Fork Assembly	8
Hydro Transmission Assembly	10
LH Transaxle Assembly No. 133-4420	12
RH Transaxle Assembly No. 133-4421	14
Parking Brake Assembly	16
Rear Tire and Wheel Assembly	18
Seat Assembly	20
Seat Assembly No. 139-2367	22
Motion Control Assembly	24
Engine and Muffler Assembly	26
Fuel System Assembly with Non-Canister Style Air Filter	28
Carburetor Assembly	30
Carburetor Assembly with Non-Canister Style Air Filter	32
Ignition and Cooling Fan	34
Crankcase and Crankshaft Assembly	36
Governor Control Assembly	38
Piston and Cylinder Head Assembly	40
Blower Housing Assembly	42
Gasket and Seal Kit	44
Body Styling and Fuel Tank Assembly	46
Fuel Tank Assembly No. 133-4484	48
Electrical Assembly	50
Deck and Belt Assembly	52
Deck Decal Assembly No. 133-7068	54
Model Specific Decal Assembly	56
Series Decal Assembly	58
Clutch Assembly	60
Attachments and Accessories	62

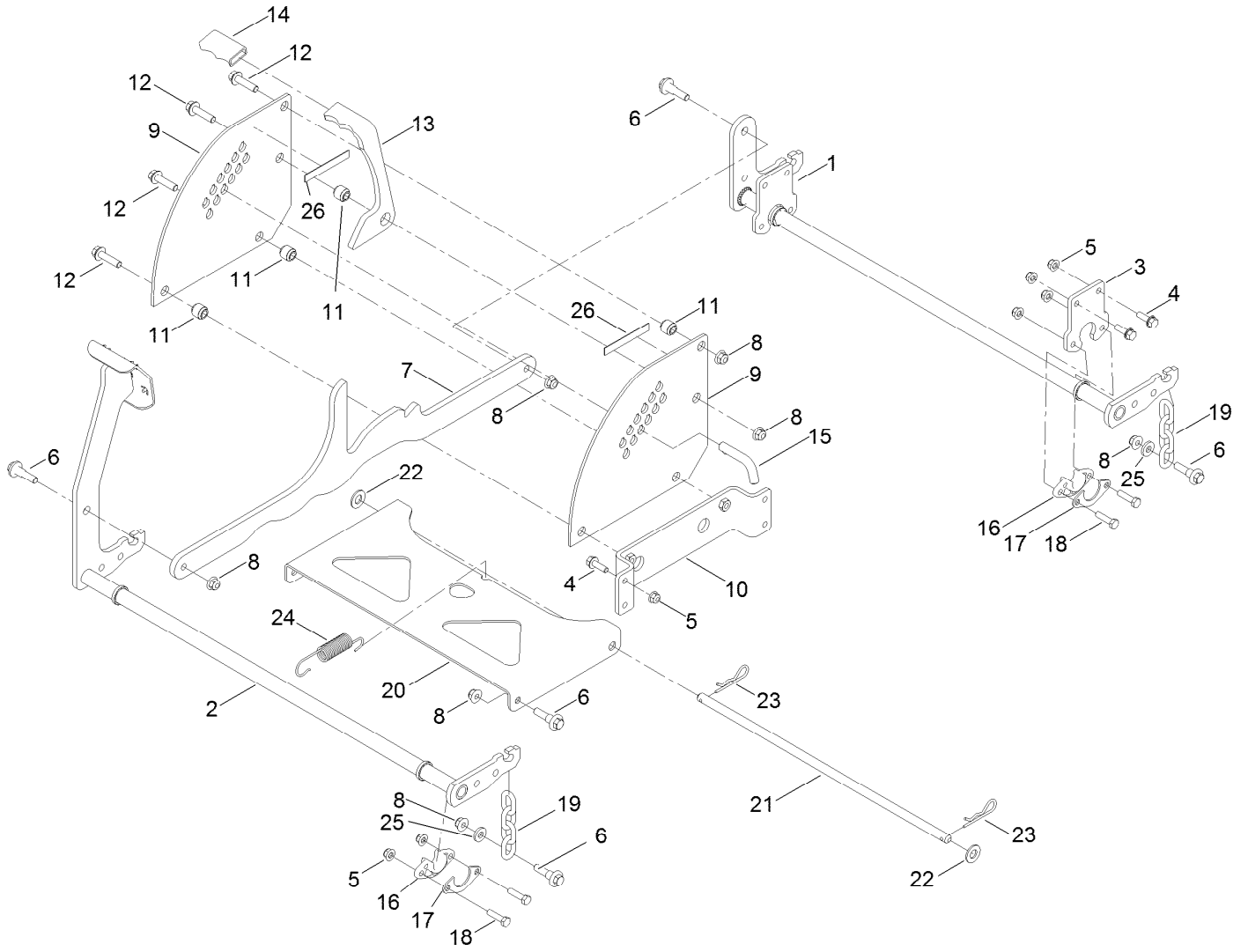
Frame Assembly



Frame Assembly (continued)

<i>Ref.</i>	<i>Part Number</i>	<i>Qty.</i>	<i>Description</i>	<i>Ref.</i>	<i>Part Number</i>	<i>Qty.</i>	<i>Description</i>
1	133-1191-01	1	Frame ASM	20	131-0901-01	1	Mount-Hydro, Front (RH)
2	135-0687-03	1	Brace-Seat, Rear (Wide)	21	121-2989	2	Decal-Bypass
3	133-7051-03	1	Bracket-Support, Pod (LH)	23	133-4431-03	1	Guard-Engine
4	136-4185-03	1	Tray-Battery	24	99-4693	1	Decal
5	137-5068-01	1	Bracket-Mounting, LH	25	133-9253	1	Tread-Step
6	137-5069-01	1	Bracket-Mounting, RH	26	136-9190	1	Footrest
10	104-8301	10	Nut-HF, NI	26:2	63-3280	1	Decal
11	3234-29	16	Screw-HHF	26:3	133-9255	1	Decal-Danger
12	104-8300	22	Nut-HF, NI	29	133-4303-01	1	Crossmember-Rear
13	133-4485-03	1	Bracket-Mount	30	133-4429-03	1	Guard-Muffler
14	32144-70	24	Screw-HWHTF	31	117-1232-03	1	Bracket-Hitch
15	133-4310-01	1	Axle-Front	32	3234-47	6	Screw-HHF
16	3234-42	10	Screw-HHF	33	133-1201-03	2	Mount-Hydro
17	109-3678	4	Bearing-Ball	41	325-4	2	Screw-HH
18	116-4348	2	Cap-Grease	42	99-5107	2	Nut-Lock
19	131-0902-01	1	Mount-Hydro, Front (LH)	43	136-9183-03	1	Shield

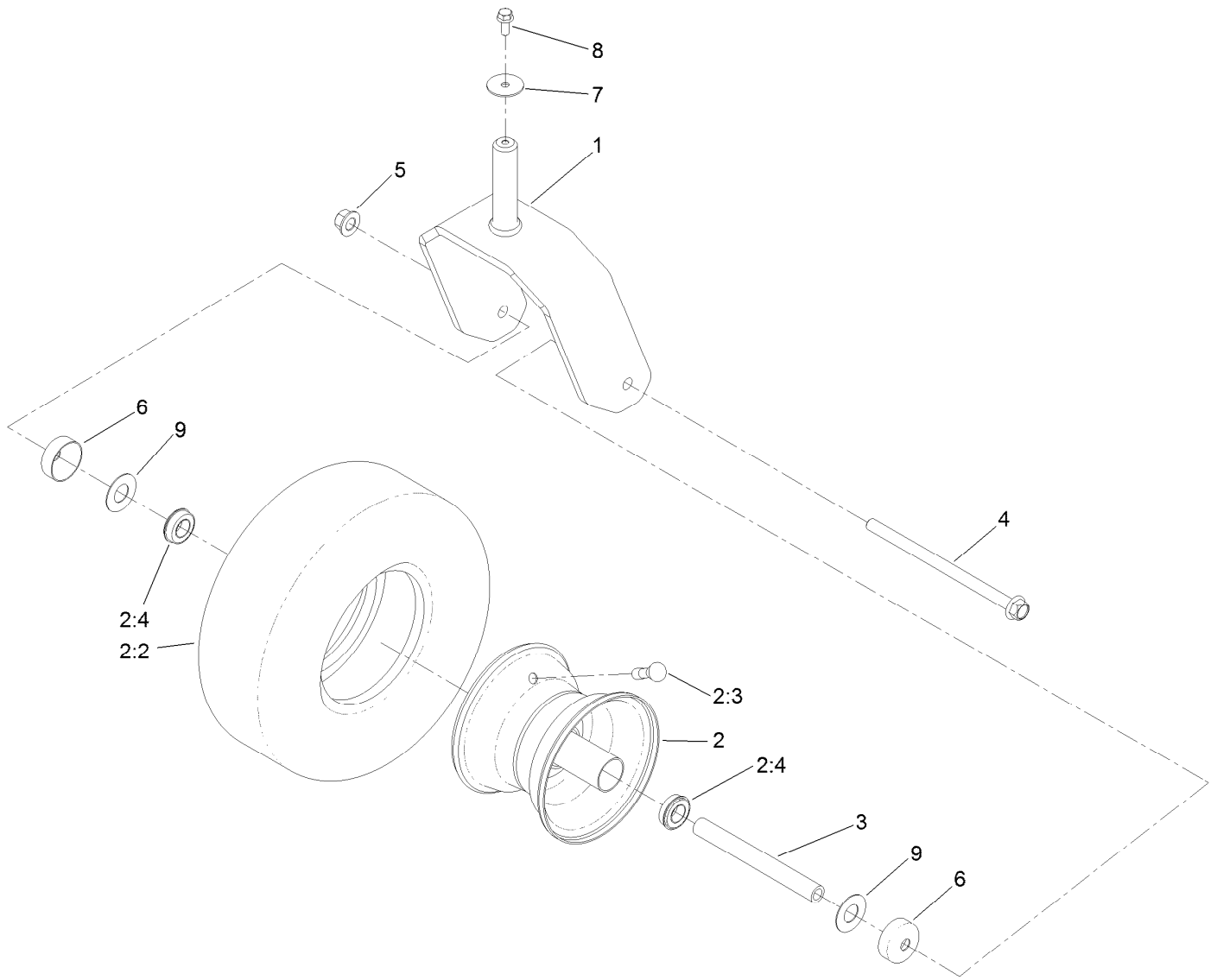
Deck Lift Assembly



Deck Lift Assembly (continued)

<i>Ref.</i>	<i>Part Number</i>	<i>Qty.</i>	<i>Description</i>	<i>Ref.</i>	<i>Part Number</i>	<i>Qty.</i>	<i>Description</i>
1	137-2020-03	1	Pivot-Rear	14	116-4312	1	Grip-Flat
2	133-4430-03	1	Pivot-Front	15	116-5584	1	Pin-HOC
3	137-2021-03	2	Plate	16	115-5065	4	Bushing-Flange
4	3234-29	8	Screw-HHF	17	116-2887	4	Gusset-Lift, Deck
5	104-8300	16	Nut-HF, NI	18	322-6	8	Screw-HH
6	130-0742	8	Bolt-Shoulder	19	130-0668	4	Chain-Decklift
7	127-3390-03	1	Link-HOC	20	133-4311-01	1	Pan-Pivot, Deck
8	104-8301	10	Nut-HF, NI	21	133-7071	1	Rod-Pivot, Deck
9	127-3389-03	2	Plate-Deck, Lift	22	3256-26	2	Washer-Flat
10	133-7049	1	Plate-Lift	23	1-806005	2	Pin-Cotter
11	116-4313	4	Spacer-Step, Double	24	115-9652	1	Spring-Extension
12	114-4681	4	Screw-HHF	25	43-0940	4	Spacer
13	127-3391	1	Lock-Transport, HOC	26	130-0734	2	Pad-Rubber

Caster Fork Assembly



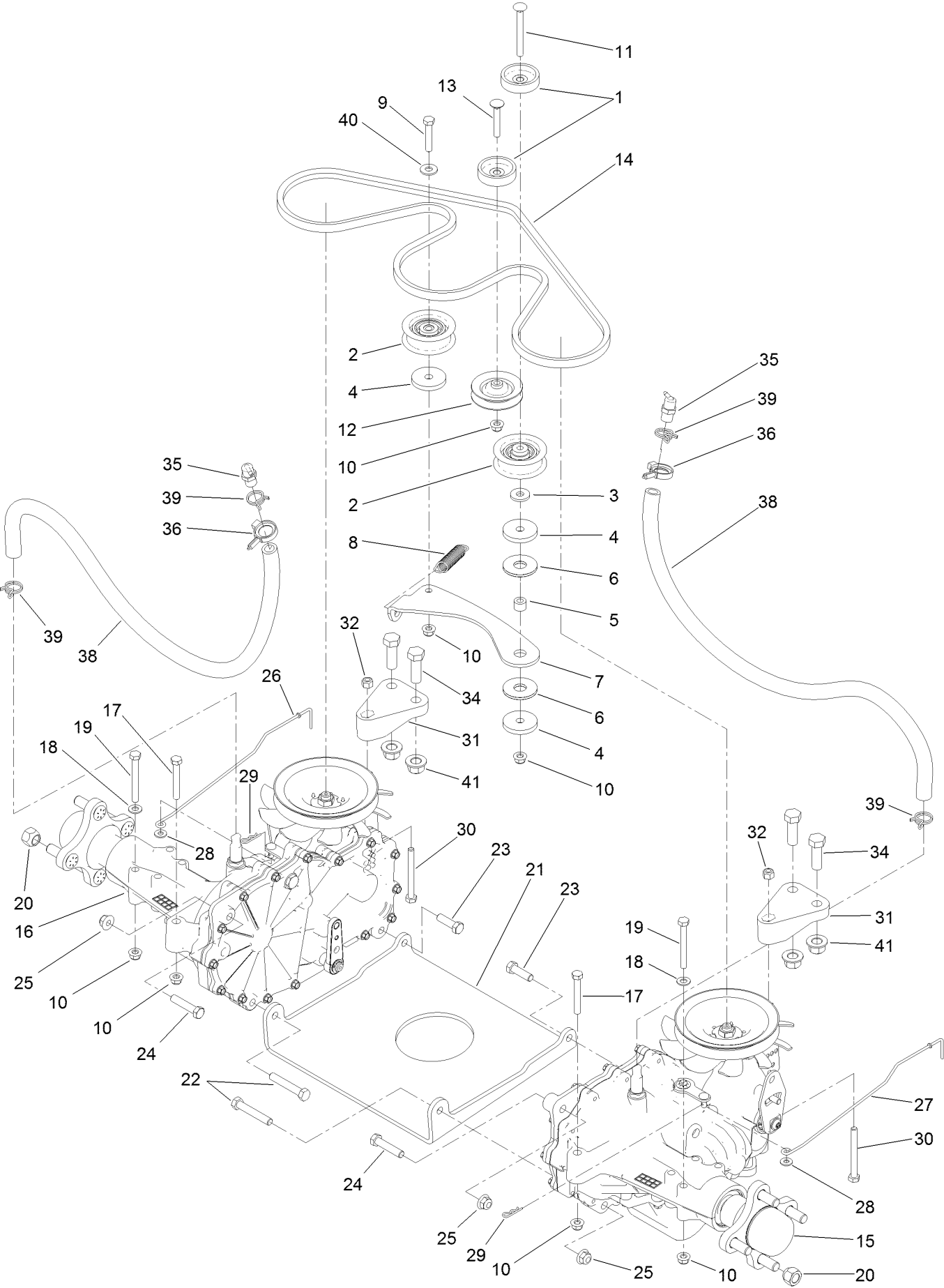
Caster Fork Assembly (continued)

<i>Ref.</i>	<i>Part Number</i>	<i>Qty.</i>	<i>Description</i>	<i>Ref.</i>	<i>Part Number</i>	<i>Qty.</i>	<i>Description</i>
1	126-4312-01	2	Fork-Caster	4	126-5389	2	Screw-HHF
2	133-4428	2	Tire And Wheel ASM	5	99-5107	2	Nut-Lock
2:2	125-5581	1	Tire	6	133-7088	4	Guard-Seal
2:3	232-27	1	Stem-Valve	7	3256-68	2	Washer-Flat
2:4	136-4190	2	Bearing	8	3234-47	2	Screw-HHF
2:99	232-46	1	Tube-Inner ●■	9	136-5590	4	Washer
3	133-4487	2	Spanner-Wheel				

● Not illustrated

■ Optional Equipment

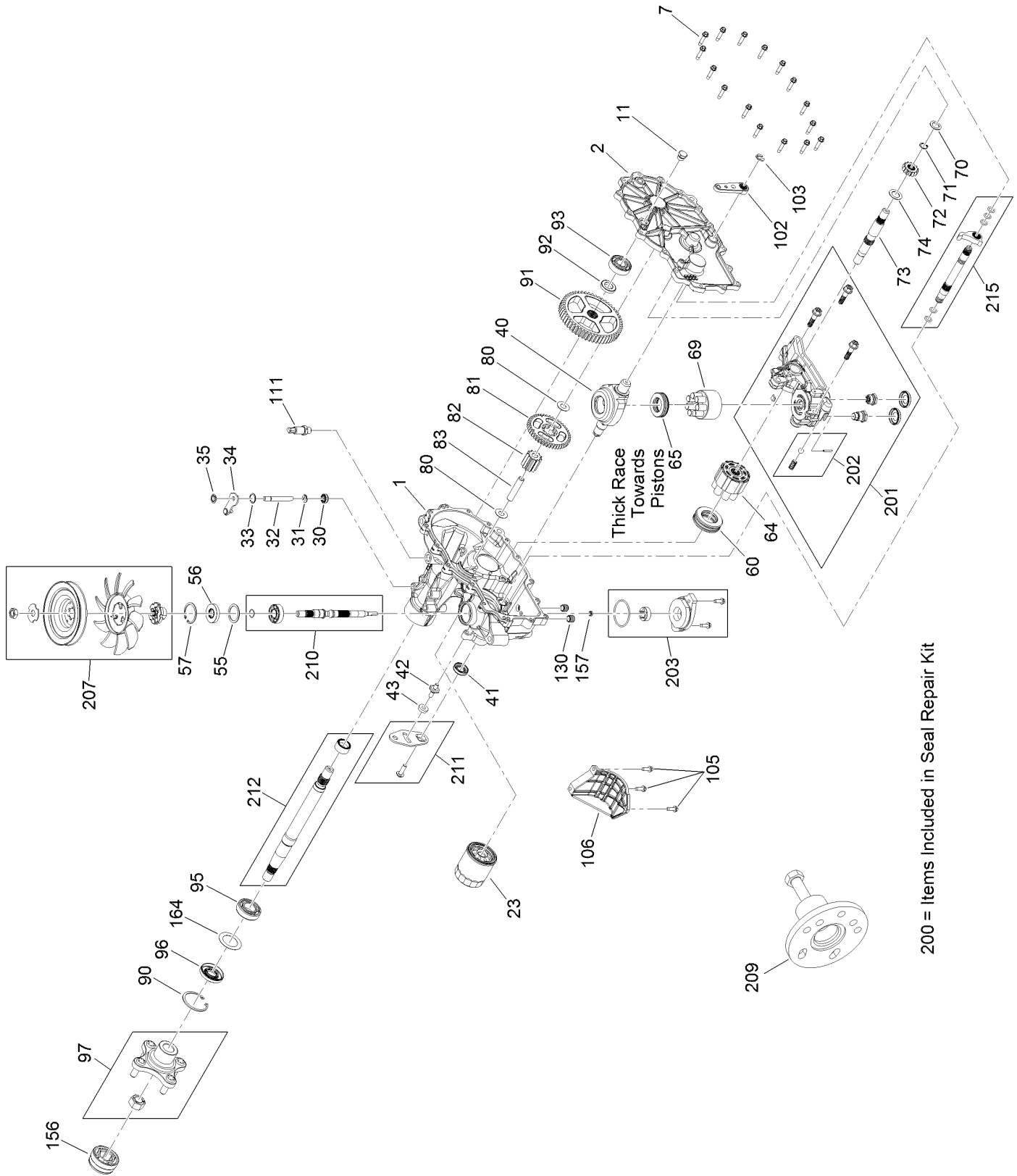
Hydro Transmission Assembly



Hydro Transmission Assembly (continued)

<i>Ref.</i>	<i>Part Number</i>	<i>Qty.</i>	<i>Description</i>	<i>Ref.</i>	<i>Part Number</i>	<i>Qty.</i>	<i>Description</i>
1	119-3353	2	Spacer	20	242-50	8	Nut-Lug
2	106-2176	2	Pulley-Idler	21	130-0718-01	1	Plate-Cross, Hydro
3	1-613235	1	Washer	22	323-11	2	Screw-HH
4	110-9981	3	Washer-Plain	23	323-7	2	Screw-HH
5	114-8549	1	Bushing	24	323-9	2	Screw-HH
6	114-0463	2	Washer-Friction, Composite	25	104-8301	6	Nut-HF, NI
7	133-4423	1	Arm-Idler	26	133-4304	1	Rod-Bypass, RH
8	104-6415	1	Spring-Return, Pedal	27	133-4305	1	Rod-Bypass, LH
9	322-9	1	Screw-HH	28	3256-22	2	Washer-Flat
10	104-8300	9	Nut-HF, NI	29	3290-307	2	Pin-Cotter
11	119-9784	1	Screw-CARR	30	322-14	2	Screw-HH
12	119-8822	1	Pulley-Idler	31	133-1247	2	Support-Hydro, Rear
13	3230-6	1	Bolt-CARR	32	3296-29	2	Nut-Lock, NI
14	133-4371	1	V-Belt	34	325-6	4	Screw-HH
15	133-4420	1	LH Hydro Transmission ASM	35	136-4183	2	Breather Kit
16	133-4421	1	RH Hydro Transmission ASM	36	105-1853	2	Clamp-Hose
17	322-11	2	Screw-HH	38	136-4182	2	Hose-Hydro
18	3256-23	6	Washer-Plain	39	117-1193	4	Clamp-Hose
19	322-13	4	Screw-HH	40	3256-3	1	Washer-Flat
				41	99-5107	4	Nut-Lock

LH Transaxle Assembly No. 133-4420

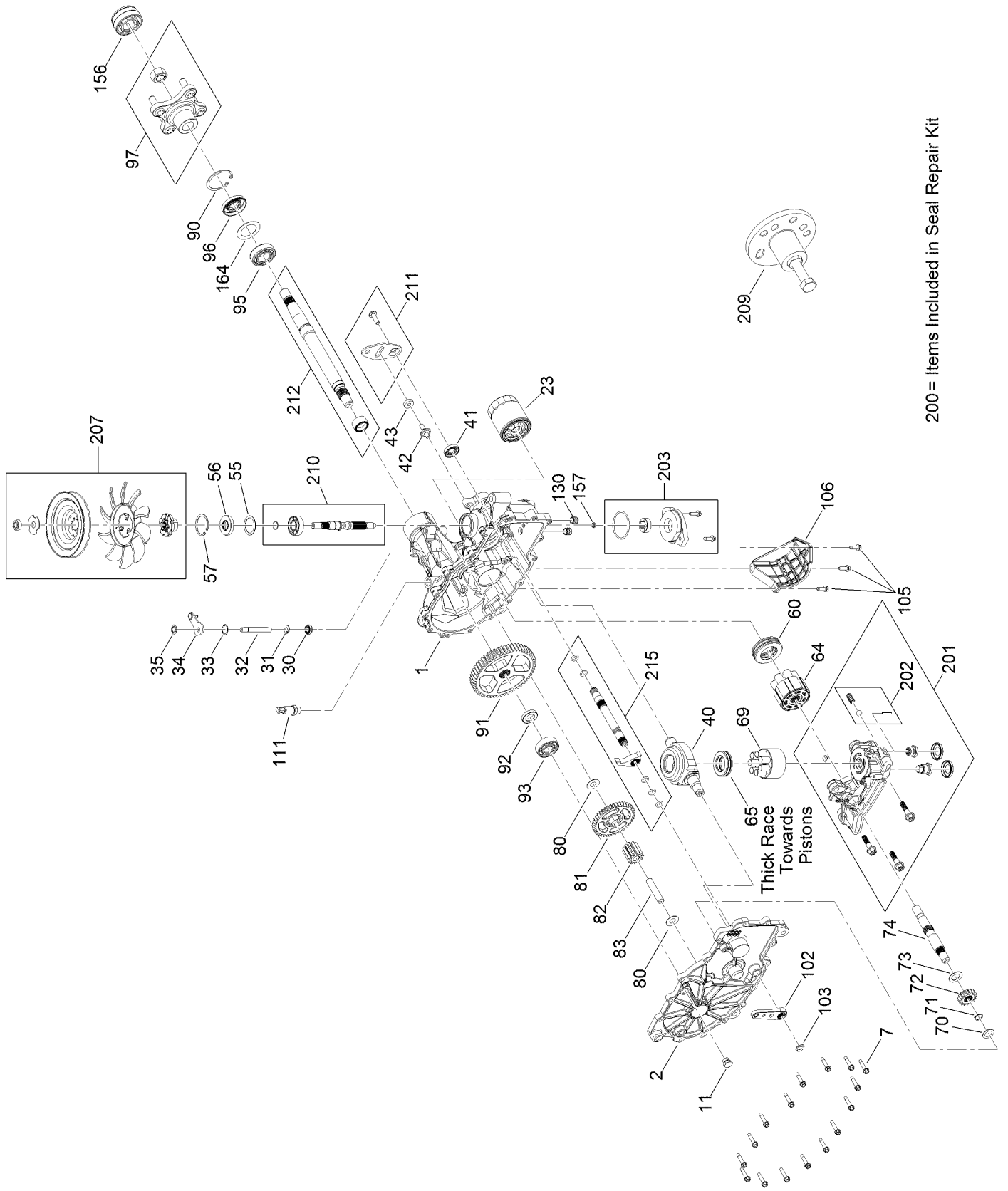


200 = Items Included in Seal Repair Kit

LH Transaxle Assembly No. 133-4420 (continued)

<i>Ref.</i>	<i>Part Number</i>	<i>Qty.</i>	<i>Description</i>	<i>Ref.</i>	<i>Part Number</i>	<i>Qty.</i>	<i>Description</i>
1	117-5357	1	RH Main Housing Kit	82	120-7974	1	Gear-11T
2	117-5358	1	RH Housing Side Kit	83	104-5329	1	Pin-Jackshaft
7	117-5359	16	Screw-HHF	90	104-2169	1	Ring-Retaining
11	135-1140	1	Plug-Straight	91	114-1694	1	Gear-54T
23	109-3321	1	Element-Oil Filter, HYD	92	120-7975	1	Spacer
30	106-8676	1	Seal-Lip	93	137-2004	1	Bearing Kit
31	106-8677	1	Ring-Retaining, External	95	109-8110	1	Input Bearing Kit
32	114-1685	1	Rod-Bypass	96	130-8478	1	Seal-Lip
33	106-8679	1	Ring-Retaining, Internal	97	109-5939	1	Hub Kit
34	112-9852	1	Arm-Bypass	102	125-0021	1	Handle-Brake
35	106-8681	1	Ring-Retaining, External	103	131-0906	1	Ring-Retaining, EXT
40	104-5304	1	Swashplate-Trunnion	105	104-2120	3	Screw
41	104-5313	1	Seal-Lip	106	120-7981	1	Guard-Filter, RH
42	104-2116	1	Stud	111	109-3278	1	Adapter-Straight
43	112-9853	1	Puck-Friction	130	126-3251	2	Tube-Charge
55	104-5308	1	Spacer	156	115-5057	1	Cover-Nut, Axle
56	104-5310	1	Seal-Lip	157	130-8486	1	Seal-Gerotor
57	104-5309	1	Ring-Retaining	164	121-5745	1	Spacer
60	112-4154	1	Bearing-Thrust	200	109-3537	1	Seal Kit
64	114-1689	1	Motor Cylinder Block Kit	201	137-2005	1	RH Charge Center Section Kit
65	94-6922	1	Bearing-Thrust				
69	110-8561	1	Pump Block ASM	202	114-8464	1	Charge Relief Kit
70	104-5339	1	Washer-Flat	203	114-8465	1	Charge Kit
71	104-5340	1	Ring-Retaining	207	137-2006	1	Fan Pulley Kit
72	131-0905	1	Gear-14T	209	114-8467	1	Puller-Hub, 4 Bolt
73	114-1691	1	Shaft-Motor	210	117-5361	1	Input Shaft Kit
74	104-5360	1	Washer	211	117-5362	1	Control Arm Kit
80	119-5541	2	Washer	212	114-8470	1	Axle Shaft Kit
81	114-1692	1	Gear-45T	215	137-2007	1	Brake Shaft Kit

RH Transaxle Assembly No. 133-4421

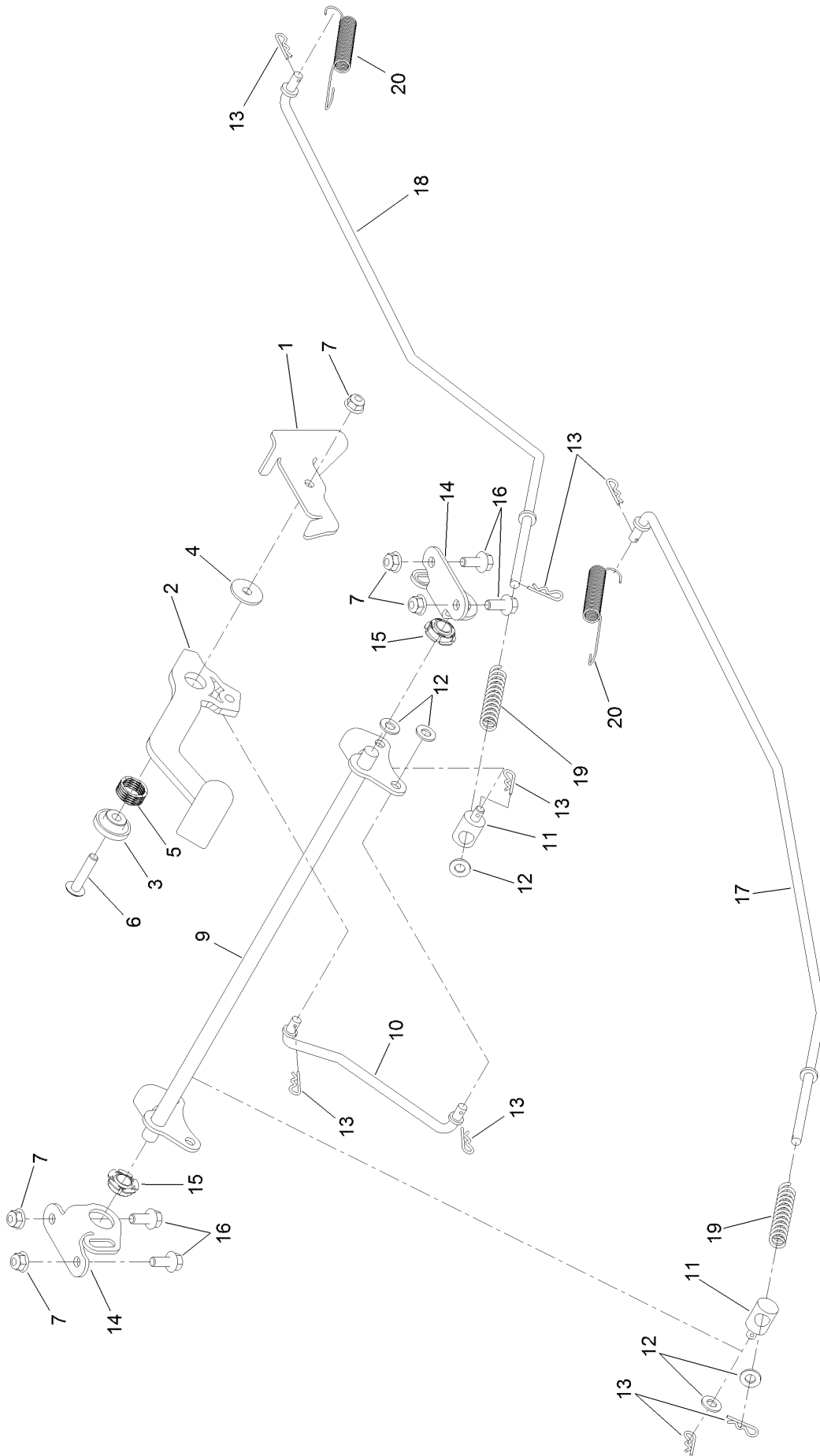


200 = Items Included in Seal Repair Kit

RH Transaxle Assembly No. 133-4421 (continued)

<i>Ref.</i>	<i>Part Number</i>	<i>Qty.</i>	<i>Description</i>	<i>Ref.</i>	<i>Part Number</i>	<i>Qty.</i>	<i>Description</i>
1	114-8471	1	LH Main Housing Kit	82	120-7974	1	Gear-11T
2	114-8472	1	LH Side Cover Kit	83	104-5329	1	Pin-Jackshaft
7	117-5359	16	Screw-HHF	90	104-2169	1	Ring-Retaining
11	135-1140	1	Plug-Straight	91	114-1694	1	Gear-54T
23	109-3321	1	Element-Oil Filter, HYD	92	120-7975	1	Spacer
30	106-8676	1	Seal-Lip	93	137-2004	1	Bearing Kit
31	106-8677	1	Ring-Retaining, External	95	109-8110	1	Input Bearing Kit
32	114-1685	1	Rod-Bypass	96	130-8478	1	Seal-Lip
33	106-8679	1	Ring-Retaining, Internal	97	109-5939	1	Hub Kit
34	107-2490	1	Arm-Bypass	102	125-0021	1	Handle-Brake
35	106-8681	1	Ring-Retaining, External	103	131-0906	1	Ring-Retaining, EXT
40	104-5304	1	Swashplate-Trunnion	105	104-2120	3	Screw
41	104-5313	1	Seal-Lip	106	120-7979	1	Guard-Filter, LH
42	104-2116	1	Stud	111	109-3278	1	Adapter-Straight
43	112-9853	1	Puck-Friction	130	126-3251	2	Tube-Charge
55	104-5308	1	Spacer	156	115-5057	1	Cover-Nut, Axle
56	104-5310	1	Seal-Lip	157	130-8486	1	Seal-Gerotor
57	104-5309	1	Ring-Retaining	164	121-5745	1	Spacer
60	112-4154	1	Bearing-Thrust	200	109-3537	1	Seal Kit
64	114-1689	1	Motor Cylinder Block Kit	201	137-2012	1	LH Charge Center Section Kit
65	94-6922	1	Bearing-Thrust				
69	110-8561	1	Pump Block ASM	202	114-8464	1	Charge Relief Kit
70	104-5339	1	Washer-Flat	203	114-8465	1	Charge Kit
71	104-5340	1	Ring-Retaining	207	137-2006	1	Fan Pulley Kit
72	131-0905	1	Gear-14T	209	114-8467	1	Puller-Hub, 4 Bolt
73	114-1691	1	Shaft-Motor	210	117-5361	1	Input Shaft Kit
74	104-5360	1	Washer	211	117-5362	1	Control Arm Kit
80	119-5541	2	Washer	212	114-8470	1	Axle Shaft Kit
81	114-1692	1	Gear-45T	215	137-2013	1	Brake Shaft Kit

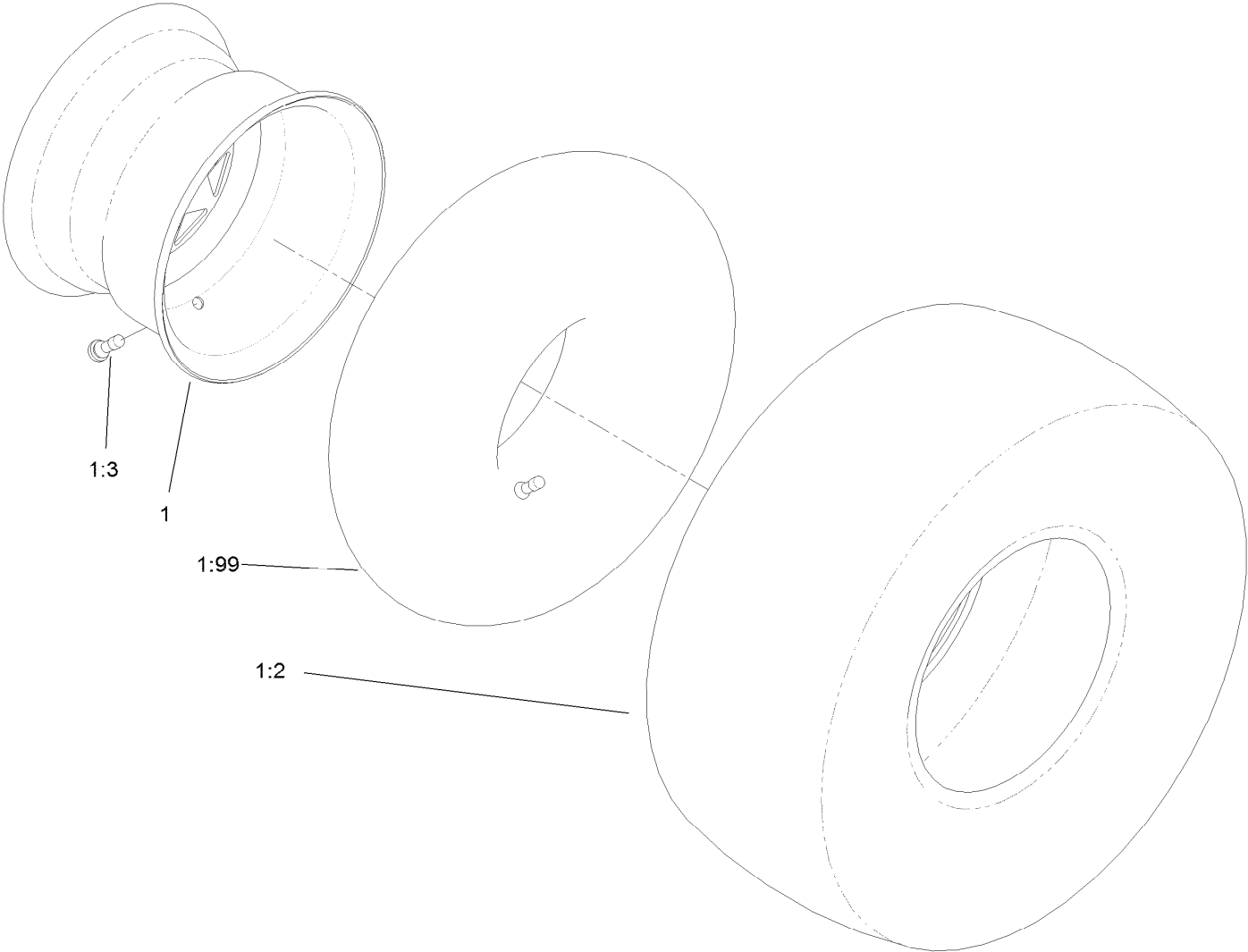
Parking Brake Assembly



Parking Brake Assembly (continued)

<i>Ref.</i>	<i>Part Number</i>	<i>Qty.</i>	<i>Description</i>	<i>Ref.</i>	<i>Part Number</i>	<i>Qty.</i>	<i>Description</i>
1	136-5554	1	Detent-Brake	12	3256-23	5	Washer-Plain
2	136-7476	1	Lever-Brake	13	3290-307	8	Pin-Cotter
3	136-5648	1	Bushing-Flange	14	133-9341-03	2	Plate-Support, Bellcrank
4	136-5647	1	Bushing-Brake, Flanged	15	136-7469	2	Bearing-Spherical
5	126-8220	1	Spring-Wave	16	3234-47	4	Screw-HHF
6	126-7439	1	Screw-Torx	17	133-9343	1	Rod-Brake, RH
7	104-8300	5	Nut-HF, NI	18	133-9344	1	Rod-Brake, LH
9	133-9338	1	Bellcrank-Brake	19	1-603807	2	Spring-Return, Neutral
10	133-9342	1	Rod-Brake, Intermediate	20	110769	2	Spring-Extension
11	115-9681	2	Fitting-Rod				

Rear Tire and Wheel Assembly

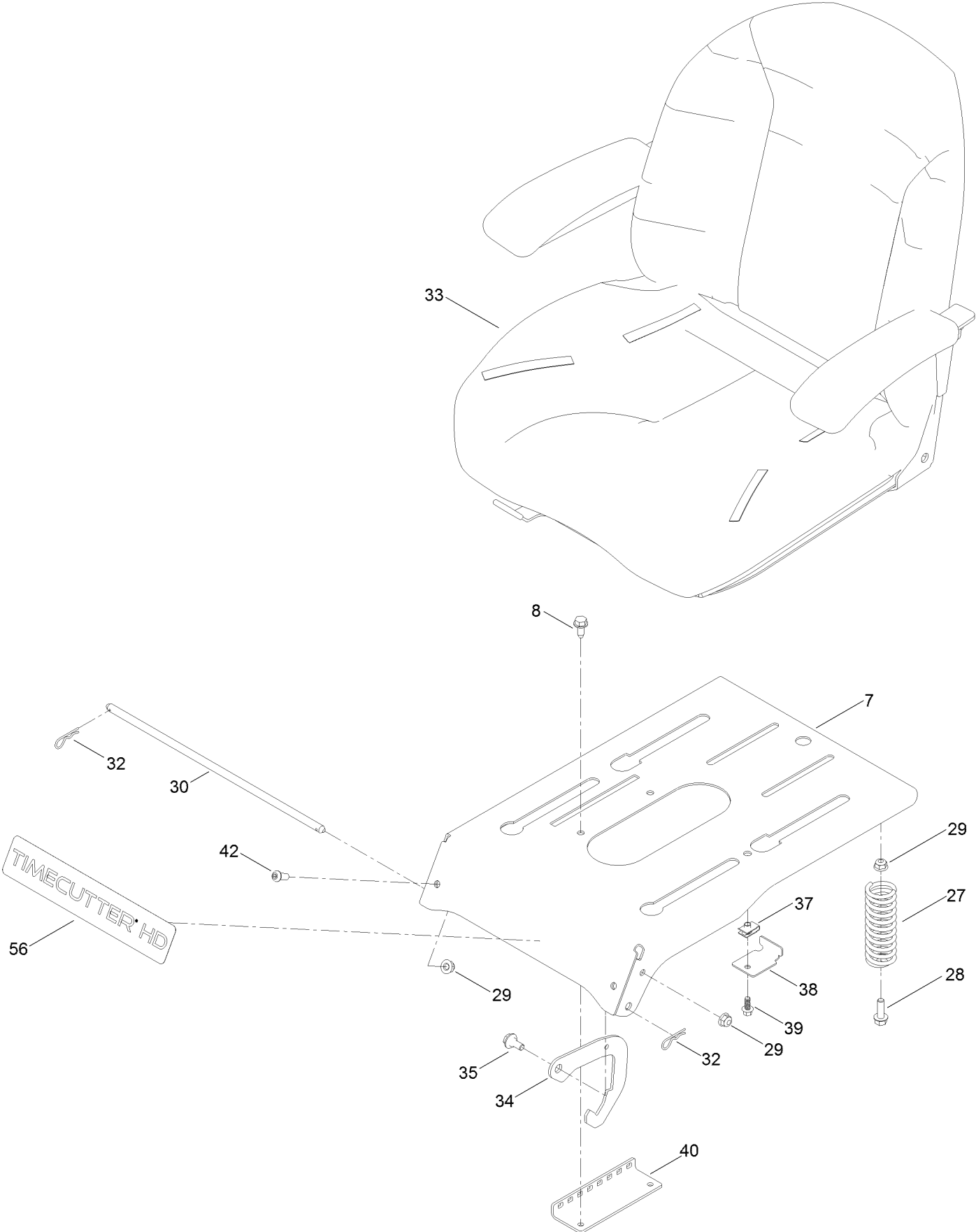


Rear Tire and Wheel Assembly (continued)

<i>Ref.</i>	<i>Part Number</i>	<i>Qty.</i>	<i>Description</i>	<i>Ref.</i>	<i>Part Number</i>	<i>Qty.</i>	<i>Description</i>
1	127-3449	2	Tire And Wheel ASM	1:3	232-27	1	Stem-Valve
1:2	125-1821	1	Tire	1:99	105-4070	1	Tube-Inner ●

● Optional Equipment

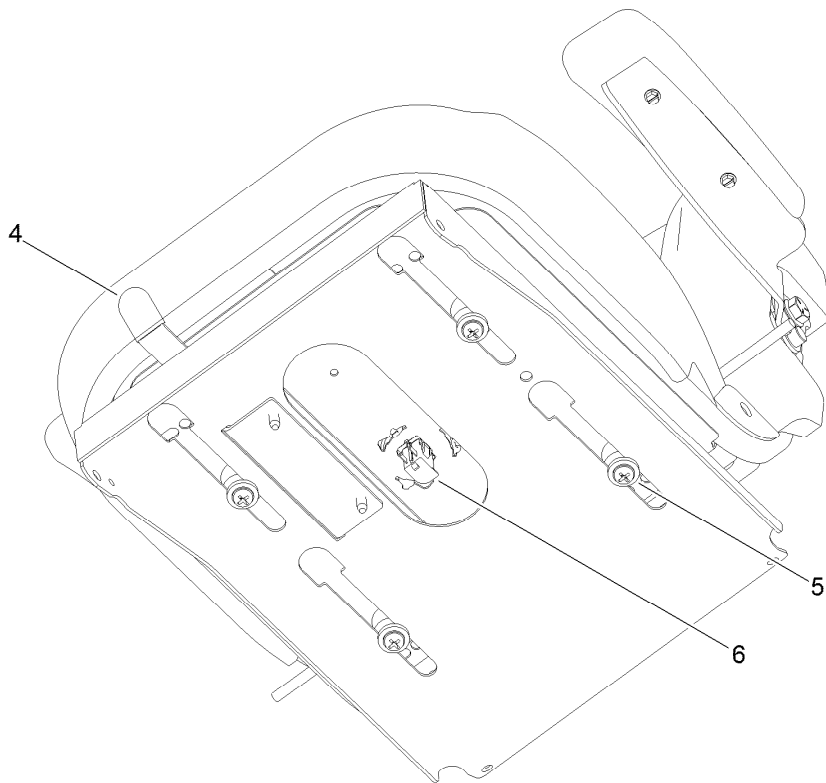
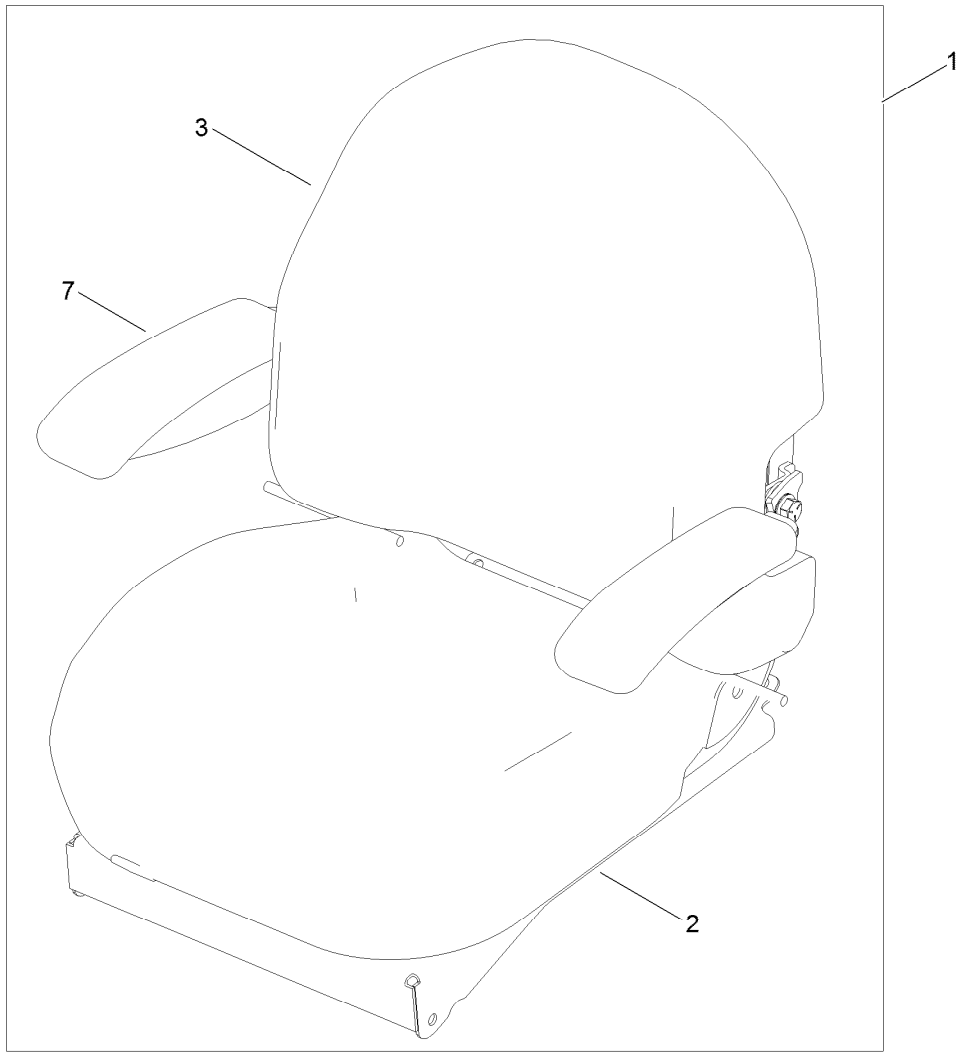
Seat Assembly



Seat Assembly (continued)

<i>Ref.</i>	<i>Part Number</i>	<i>Qty.</i>	<i>Description</i>	<i>Ref.</i>	<i>Part Number</i>	<i>Qty.</i>	<i>Description</i>
7	136-5571-03	1	Pan-Seat, Deluxe	34	132-9353	2	Latch-Seat
8	32144-70	2	Screw-HWHTF	35	19-1470	2	Screw-Shoulder
27	92-7054	3	Spring-Compression	37	107069	1	Clip
28	3234-29	3	Screw-HHF	38	131-1038	1	Bracket-Stop, Seat
29	104-8300	7	Nut-HF, NI	39	99-6810	1	Screw-HHF
30	119-3433	1	Rod-Pivot, Narrow	40	131-4008-03	1	Bracket-Latch, Seat
32	3290-250	2	Pin-Cotter	42	3274-55	2	Screw-HSBH
33	139-2367	1	Seat ASM	56	136-7471	1	Decal-Timecutter HD

Seat Assembly No. 139-2367

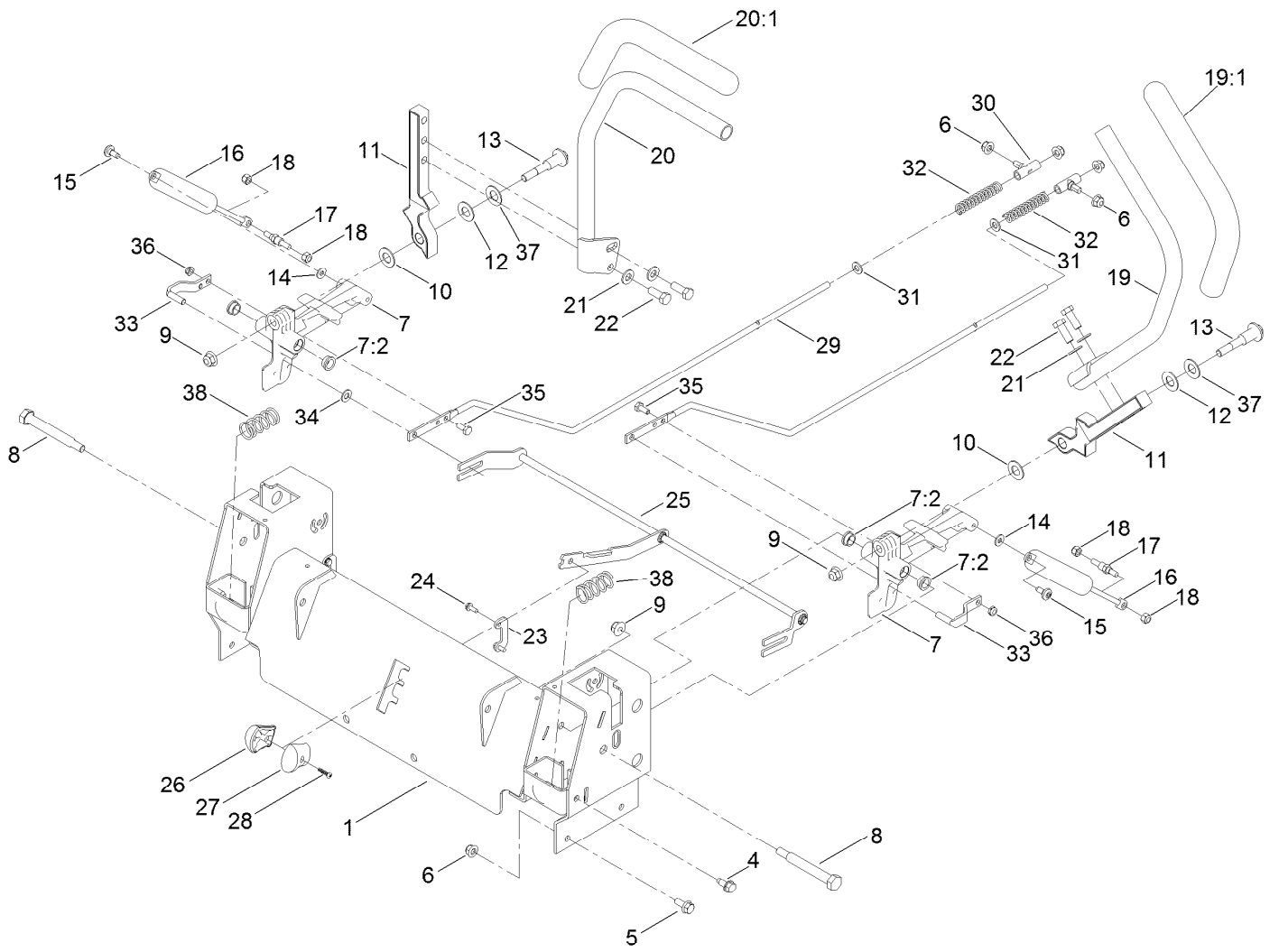


Seat Assembly No. 139-2367 (continued)

<i>Ref.</i>	<i>Part Number</i>	<i>Qty.</i>	<i>Description</i>
1	139-2374	1	Seat ASM
2	139-2649	1	Cover-Base
3	139-3297	1	Cover-Back
4	131-4153	1	Track ASM

<i>Ref.</i>	<i>Part Number</i>	<i>Qty.</i>	<i>Description</i>
5	131-4154	1	Bushing ASM
6	82-2190	1	Switch-Bail
7	126-2058	1	Armrest Kit

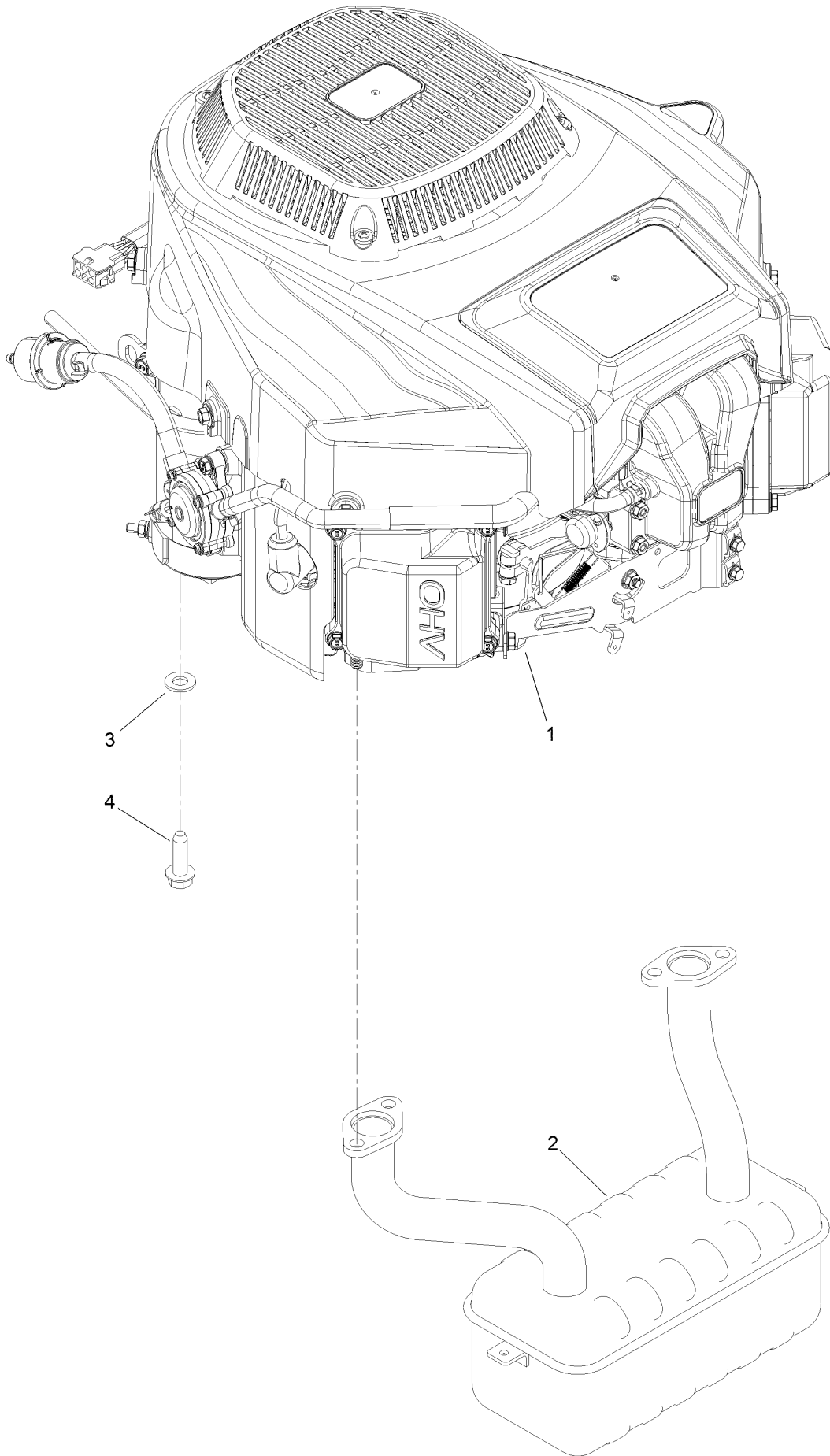
Motion Control Assembly



Motion Control Assembly (continued)

<i>Ref.</i>	<i>Part Number</i>	<i>Qty.</i>	<i>Description</i>	<i>Ref.</i>	<i>Part Number</i>	<i>Qty.</i>	<i>Description</i>
1	137-7056-03	1	Control Box ASM	20:1	121-0726	1	Grip
4	32144-70	4	Screw-HWHTF	21	3256-24	4	Washer-Flat
5	3234-47	6	Screw-HHF	22	323-6	4	Screw-HH
6	104-8300	10	Nut-HF, NI	23	117-5385	2	Retainer
7	119-3470	2	Actuator Arm ASM	24	32144-1	4	Screw-Taptite
7:2	256-156	2	Bushing-Flange	25	133-9301	1	Speed Control ASM
8	115-5099	2	Bolt-Pivot	26	132-9368	1	Knob-RH
9	104-8301	4	Nut-HF, NI	27	132-9369	1	Knob-LH
10	120-2273	2	Washer-Nylon	28	94-4496	1	Screw-PPH
11	136-5570-05	2	Arm-Control	29	117-5388	2	Rod-Hydro
12	117-1240	2	Washer	30	119-8842	2	Mount-Rod, Hydro
13	117-1198	2	Bolt-Pivot	31	3256-23	2	Washer-Plain
14	119-8952	2	Washer	32	1-603807	2	Spring-Return, Neutral
15	120-7950	2	Screw-Torx	33	121-1753	2	Pin-Rod, Hydro
16	131-0964	2	Damper	34	93-6079	2	Spacer-Nylon
17	110-6810	2	Stud-Damper	35	321-3	2	Screw-HH
18	3296-42	4	Nut-Lock, NI	36	3296-56	2	Nut-Lock, NI
19	133-7055	1	Handle-Control, LH	37	119-8925	2	Washer-Belleville
19:1	121-0726	1	Grip	38	119-8876	2	Spring-Return
20	133-7057	1	Handle-Control, RH				

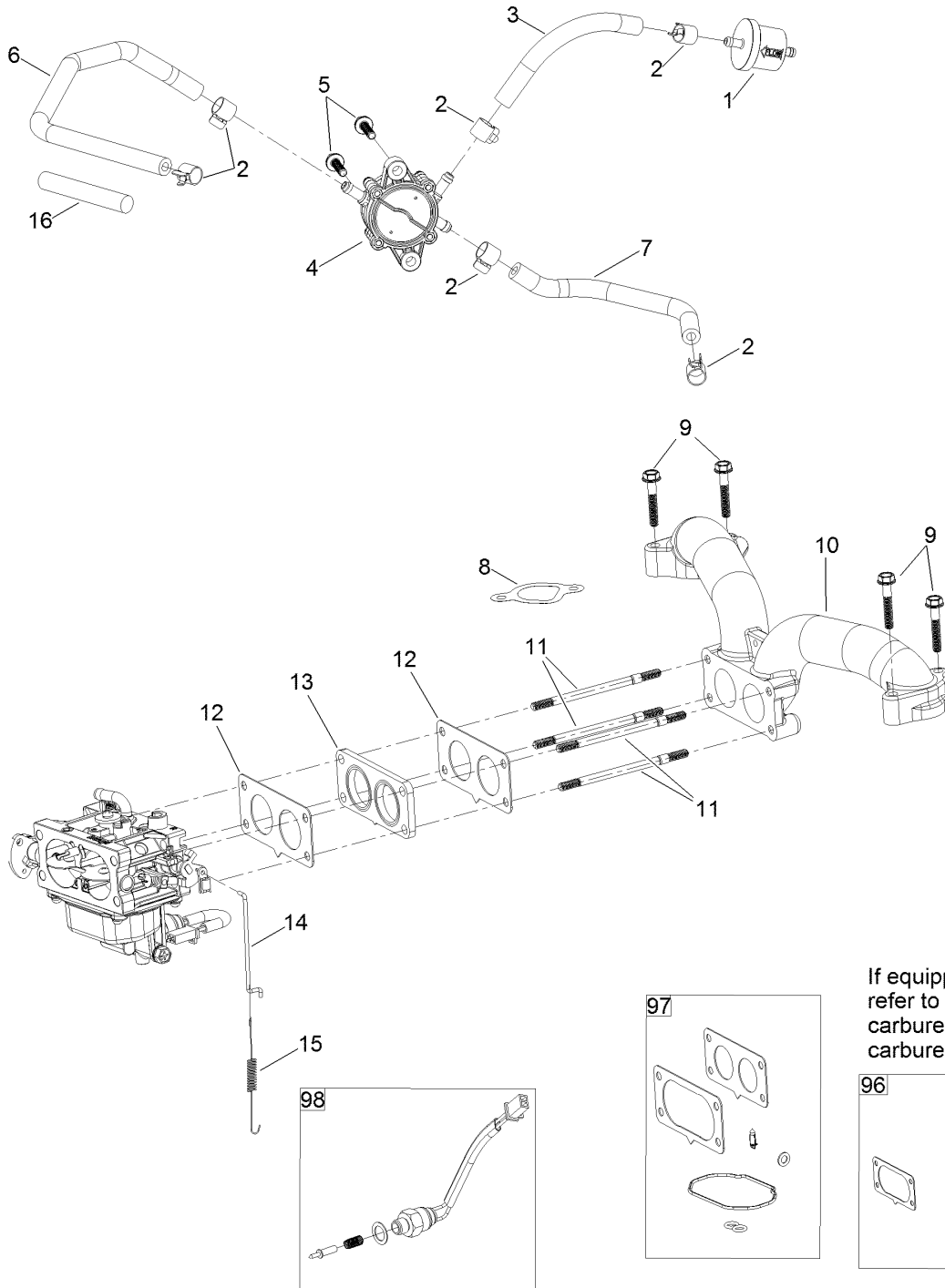
Engine and Muffler Assembly



Engine and Muffler Assembly (continued)

<i>Ref.</i>	<i>Part Number</i>	<i>Qty.</i>	<i>Description</i>	<i>Ref.</i>	<i>Part Number</i>	<i>Qty.</i>	<i>Description</i>
1	136-7818	1	Engine-2P77F	3	3256-24	4	Washer-Flat
2	130-6851	1	Muffler	4	32144-109	4	Screw-Thd

Fuel System Assembly with Non-Canister Style Air Filter



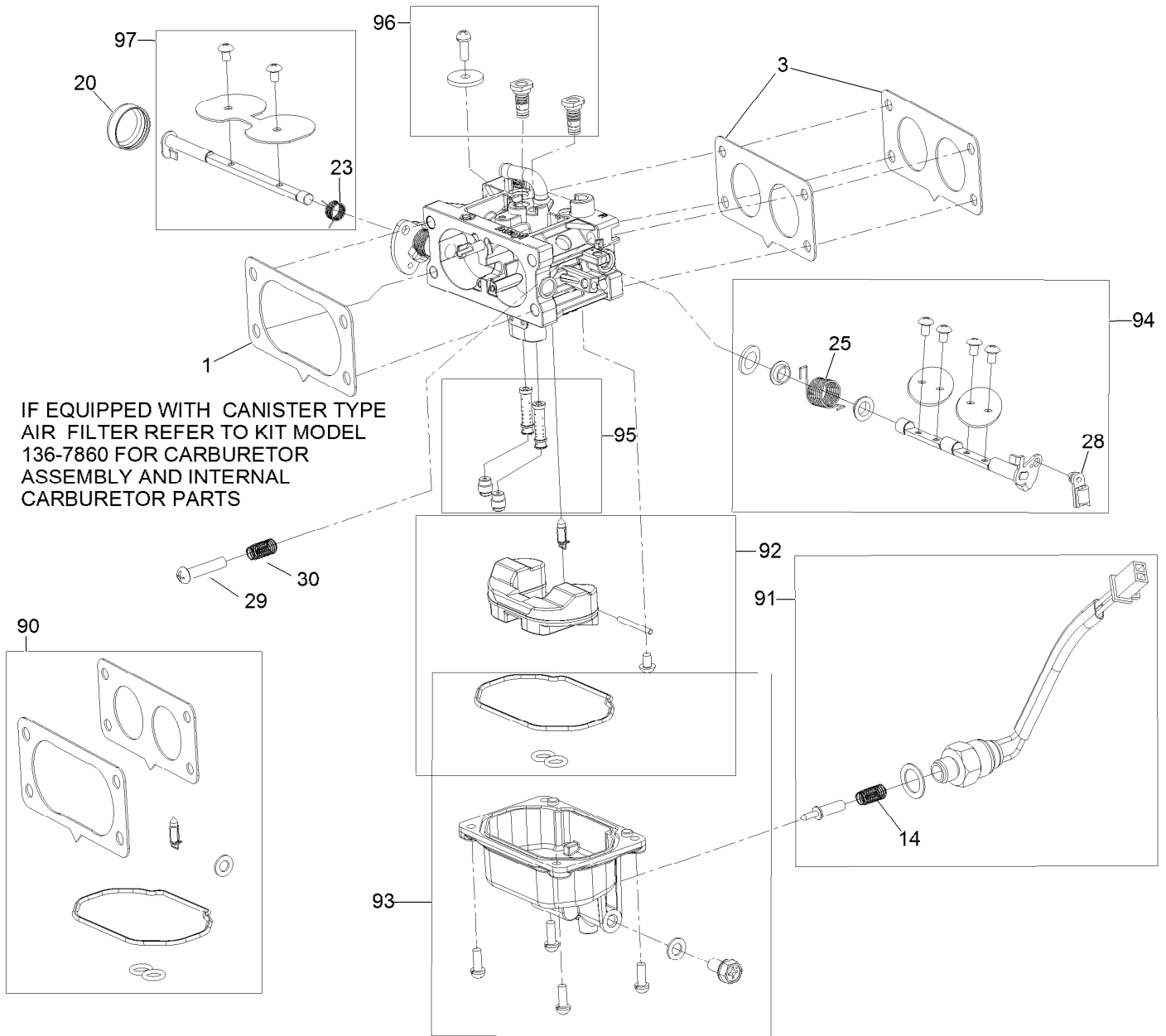
If equipped with canister type air filter refer to kit model 136-7860 for carburetor assembly and internal carburetor parts.

Fuel System Assembly with Non-Canister Style Air Filter (continued)

<i>Ref.</i>	<i>Part Number</i>	<i>Qty.</i>	<i>Description</i>	<i>Ref.</i>	<i>Part Number</i>	<i>Qty.</i>	<i>Description</i>
1	133-1563	1	Filter-Fuel	11	127-9245	4	Stud
2	120-4251	6	Clamp-Fuel Line	12	127-9246	2	Gasket-Carburetor
3	120-4371	1	Line-Fuel	13	127-9247	1	Insulator-Carburetor
4	127-9206	1	Pump-Fuel	14	133-9963	1	Linkage-Throttle
5	120-4225	2	Screw-HHF	15	133-9964	1	Spring-Return, Throttle
6	127-9205	1	Hose-Fuel	16	127-9355	1	Sleeve-Fuel Line Protector
7	127-9207	1	Hose-Fuel	96	136-7840	1	Carburetor Replacement Kit
8	127-9230	2	Gasket-Intake	97	127-9290	1	Carburetor Repair Kit
9	120-4284	4	Screw-HHF	98	127-9292	1	Solenoid Kit
10	127-9244	1	Manifold-Intake	99	136-7837	1	High Altitude Kit ●

● Not illustrated

Carburetor Assembly



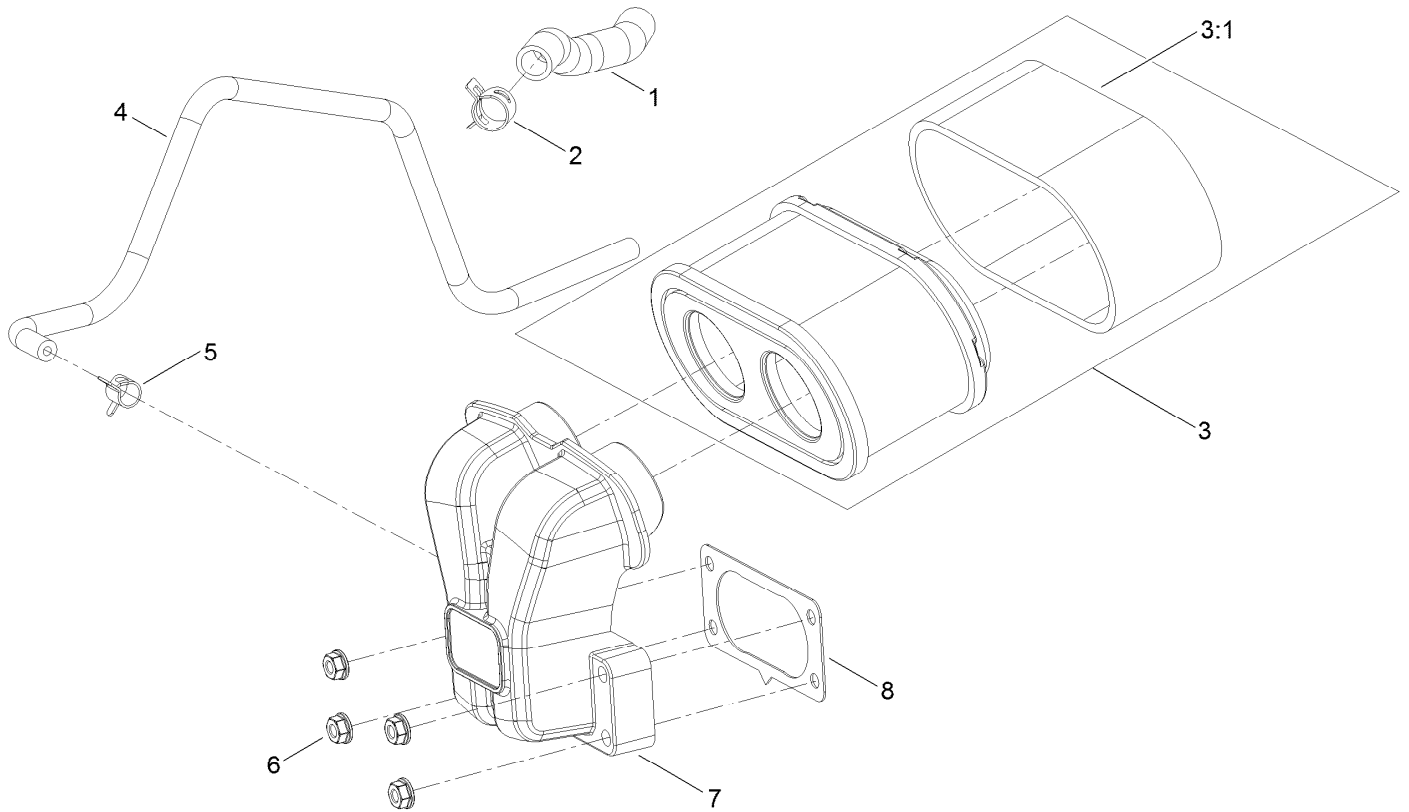
IF EQUIPPED WITH CANISTER TYPE AIR FILTER REFER TO KIT MODEL 136-7860 FOR CARBURETOR ASSEMBLY AND INTERNAL CARBURETOR PARTS

Carburetor Assembly (continued)

<i>Ref.</i>	<i>Part Number</i>	<i>Qty.</i>	<i>Description</i>	<i>Ref.</i>	<i>Part Number</i>	<i>Qty.</i>	<i>Description</i>
1	127-9251	1	Gasket-Carburetor	90	127-9290	1	Carburetor Repair Kit
3	127-9246	2	Gasket-Carburetor	91	127-9292	1	Solenoid Kit
14	127-9319	1	Spring	92	127-9340	1	Float Kit
20	127-9325	1	Cover-Shaft, Choke	93	127-9341	1	Bowl Kit
23	127-9328	1	Spring	94	133-9817	1	Throttle Shaft Kit
25	127-9330	1	Spring	95	136-7844	1	Nozzle And Jet Kit
28	127-9333	1	Clamp-Lock	96	136-7899	1	Idle Jet Kit
29	127-9334	1	Screw-PPH	97	127-9345	1	Choke Shaft Kit
30	127-9335	1	Spring				

Carburetor Assembly with Non-Canister Style Air Filter

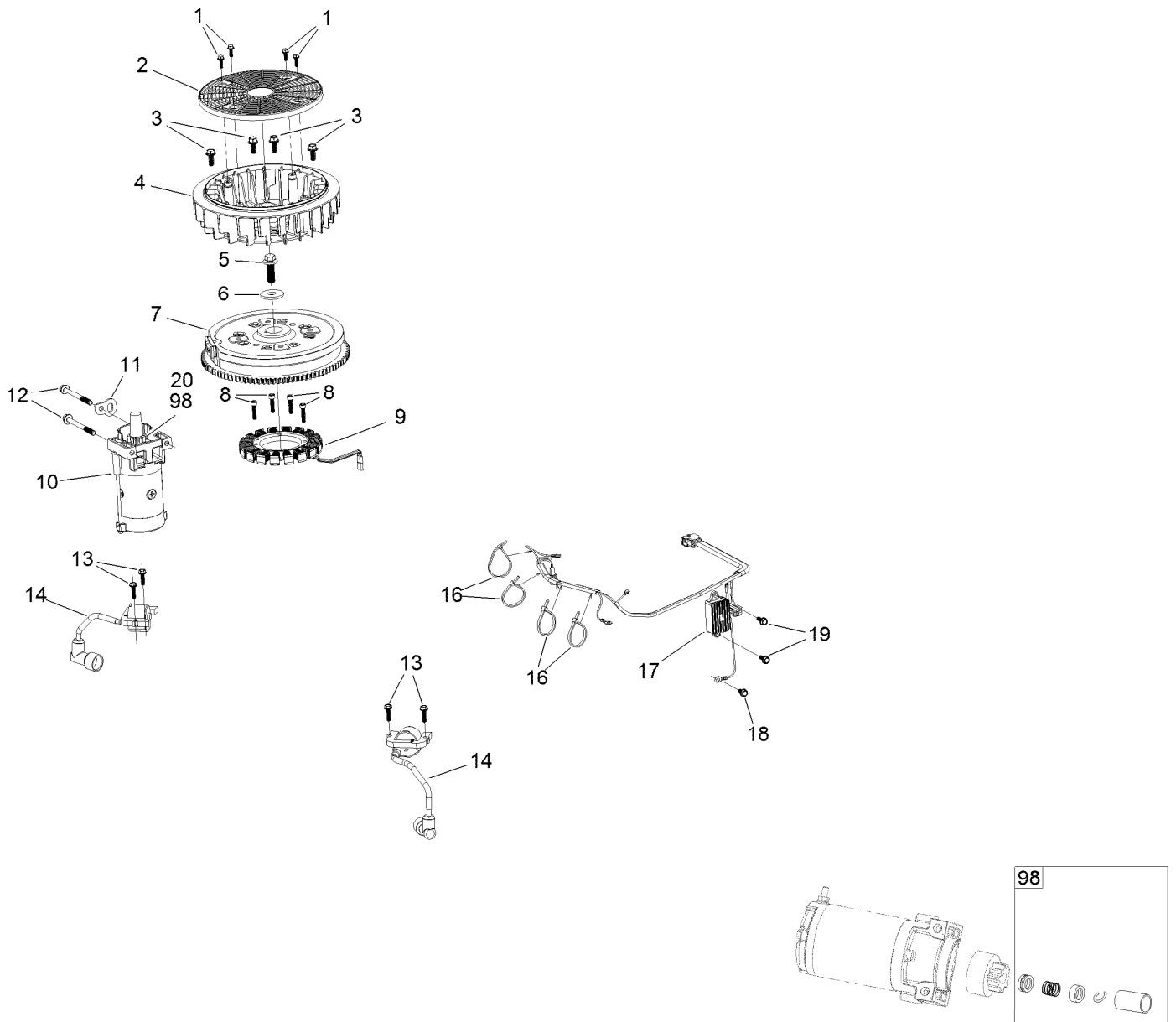
IF EQUIPPED WITH CANISTER TYPE AIR FILTER
REFER TO KIT MODEL 136-7860 TO LOOK UP PARTS



Carburetor Assembly with Non-Canister Style Air Filter (continued)

<i>Ref.</i>	<i>Part Number</i>	<i>Qty.</i>	<i>Description</i>	<i>Ref.</i>	<i>Part Number</i>	<i>Qty.</i>	<i>Description</i>
1	127-9235	1	Tube-Breather	5	127-9187	1	Clamp-Hose
2	127-9234	2	Clamp-Hose	6	120-4236	4	Nut-Flange
3	136-7806	1	Air Filter Kit	7	127-9047	1	Manifold-Filter, Air
3:1	136-7804	1	Prefilter	8	127-9251	1	Gasket-Carburetor
4	127-9253	1	Hose-Fuel				

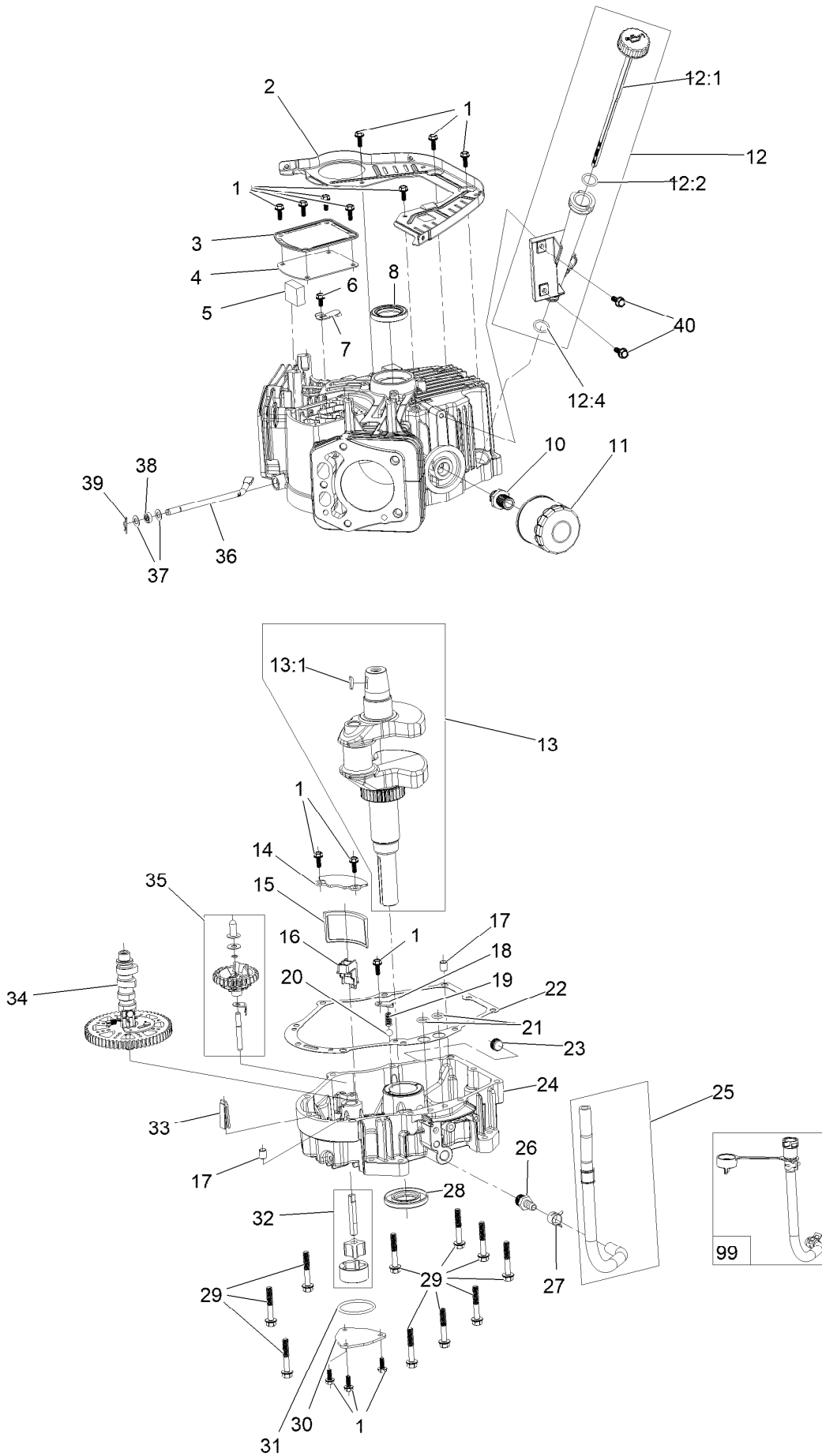
Ignition and Cooling Fan



Ignition and Cooling Fan (continued)

<i>Ref.</i>	<i>Part Number</i>	<i>Qty.</i>	<i>Description</i>	<i>Ref.</i>	<i>Part Number</i>	<i>Qty.</i>	<i>Description</i>
1	127-9197	4	Screw-HWH	12	120-4231	2	Screw-HHF
2	127-9198	1	Screen-Rotating	13	121-0007	4	Bolt-Flange
3	127-9199	4	Screw-HWH	14	136-7883	2	Ignition Coil ASM
4	127-9200	1	Fan-Cooling	16	127-9220	4	Tie-Zip
5	127-9201	1	Screw-HWH	17	136-7879	1	Regulator-Voltage, W/Harness
6	127-9202	1	Washer-Spring	18	120-4216	1	Screw-HHF
7	127-9306	1	Flywheel	19	120-4232	2	Screw-HHF
8	127-9210	4	Screw-HSH	20	133-1562	1	Pinion-Starter
9	136-7876	1	Alternator	98	133-1566	1	Starter Repair Kit
10	136-7880	1	Motor-Starter				
11	127-9208	1	Bracket-Lift				

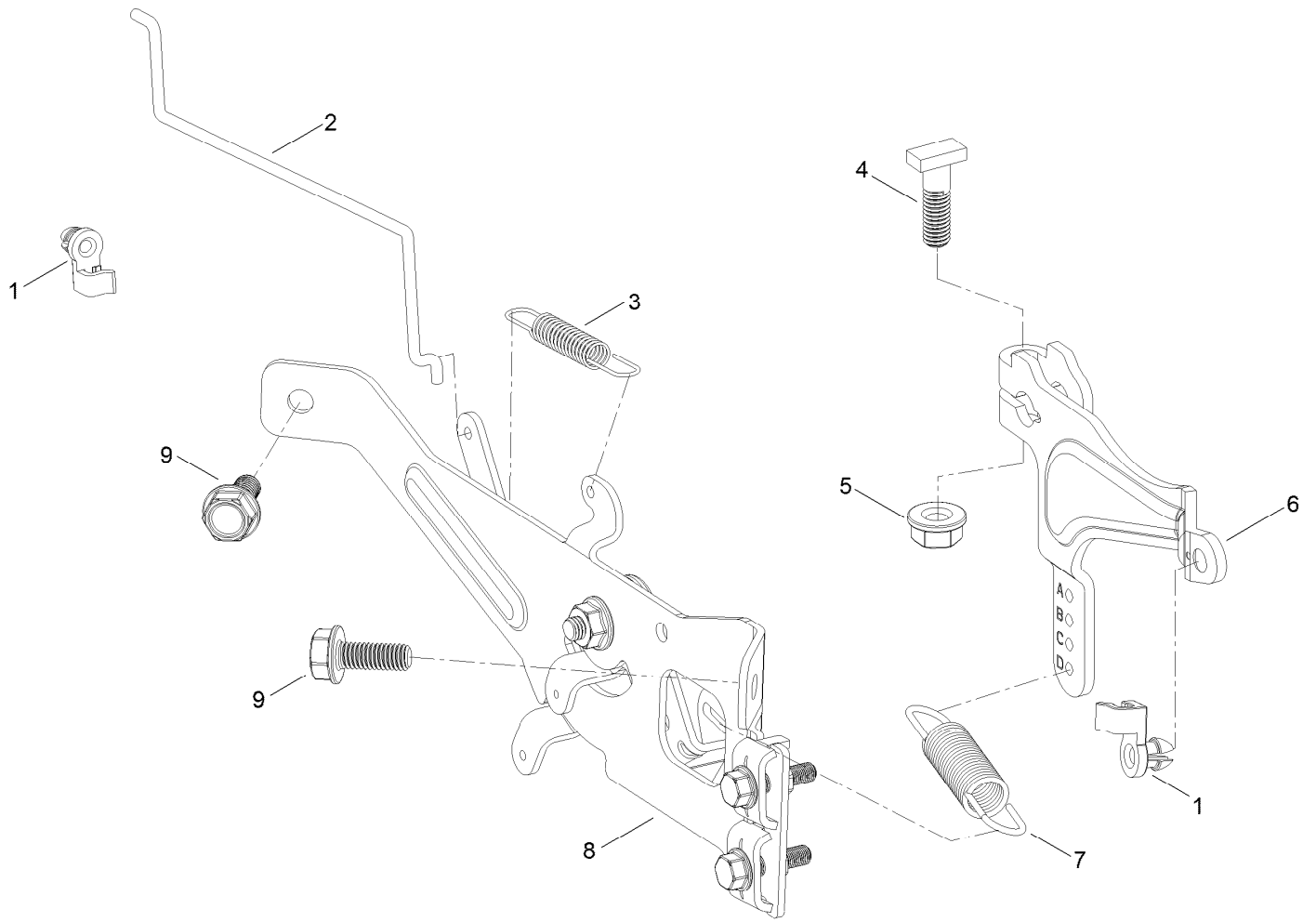
Crankcase and Crankshaft Assembly



Crankcase and Crankshaft Assembly (continued)

<i>Ref.</i>	<i>Part Number</i>	<i>Qty.</i>	<i>Description</i>	<i>Ref.</i>	<i>Part Number</i>	<i>Qty.</i>	<i>Description</i>
1	120-4232	14	Screw-HHF	20	127-9266	1	Valve-Ball
2	127-9212	1	Baffle	21	120-4262	2	O-Ring
3	127-9213	1	Cover-Breather	22	127-9267	1	Gasket-Cover, Crankcase
4	127-9214	1	Gasket-Breather	23	133-9805	1	Plug-Drain
5	127-9215	1	Filter-Breather	24	127-9268	1	Cover-Crankcase
6	120-4216	1	Screw-HHF	25	127-9293	1	Oil Drain Hose ASM
7	127-9217	1	Valve-Breather	26	127-9275	1	Fitting-Hose
8	120-4267	1	Seal-Oil	27	127-9276	1	Clamp-Hose
10	136-7884	1	Adaptor-Filter, Oil	28	127-9271	1	Seal
11	136-7848	1	Filter-Oil	29	121-0473	10	Screw-HHF
12	127-9218	1	Oil Tube ASM	30	127-9274	1	Cover-Oil Pump
12:1	127-9283	1	Dipstick	31	127-9273	1	O-Ring
12:2	127-9284	1	O-Ring	32	127-9272	1	Oil Pump ASM
12:4	127-9286	1	O-Ring	33	120-4275	1	Deflector-Oil, Rubber
13	127-9255	1	Crankshaft	34	133-1568	1	Camshaft
13:1	120-4320	1	Key-Woodruff	35	136-7882	1	Governor ASM
14	127-9261	1	Cover-Screen, Oil	36	127-9238	1	Shaft-Governor
15	127-9262	1	Screen-Oil	37	120-4258	2	Washer-Plain
16	127-9263	1	Retainer-Screen	38	120-4257	1	Seal-Oil
17	120-4274	2	Pin-Dowel	39	120-4256	1	Pin-Hair
18	127-9264	1	Plate-Retainer	40	120-4232	2	Screw-HHF
19	127-9265	1	Spring	99	144-0976	1	Oil Drain Service Kit

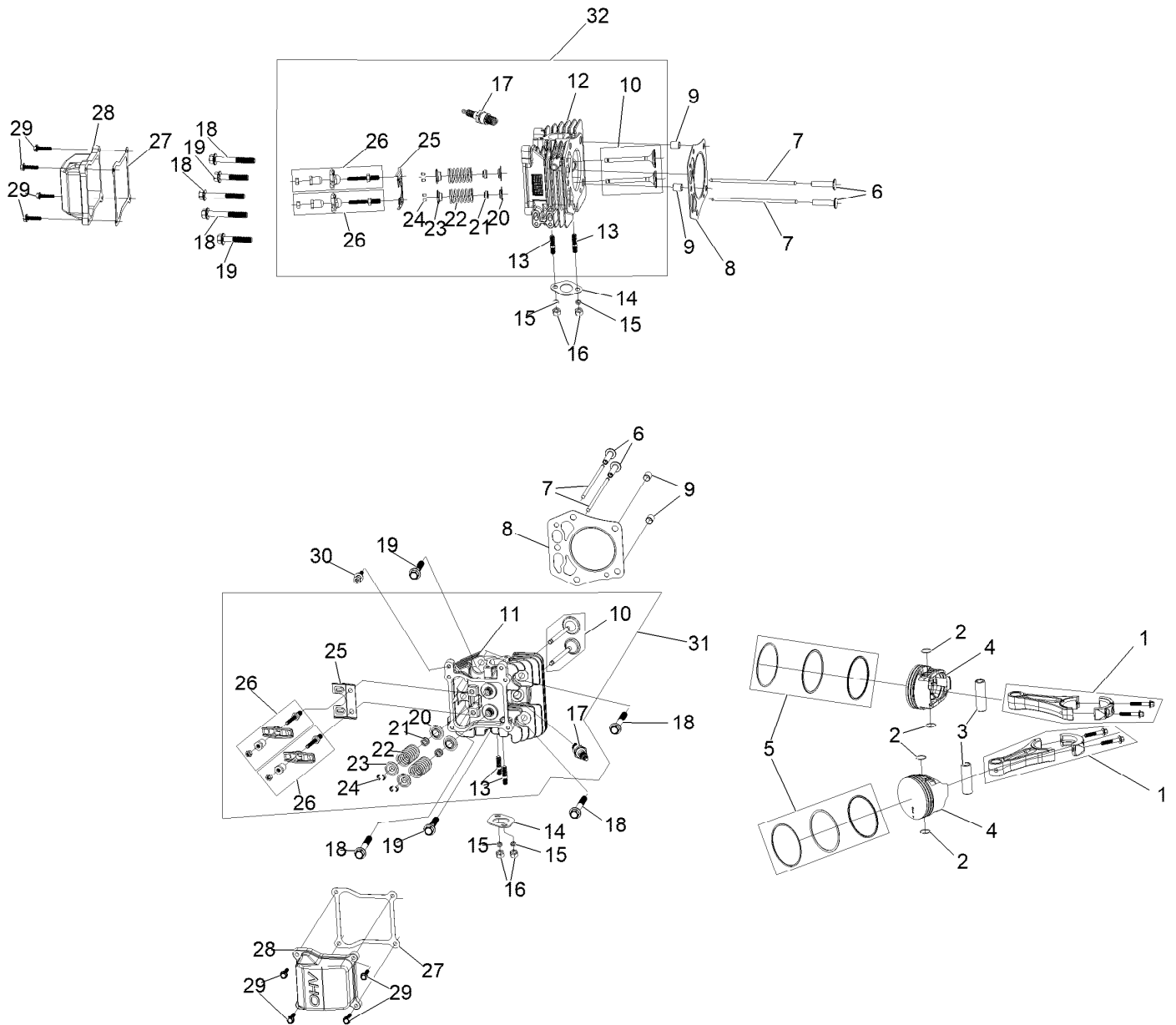
Governor Control Assembly



Governor Control Assembly (continued)

<i>Ref.</i>	<i>Part Number</i>	<i>Qty.</i>	<i>Description</i>	<i>Ref.</i>	<i>Part Number</i>	<i>Qty.</i>	<i>Description</i>
1	127-9250	2	Clip-Linkage	6	133-9961	1	Arm-Governor
2	127-9242	1	Linkage-Choke	7	133-9962	1	Spring-Governor
3	127-9241	1	Spring-Governor	8	133-1570	1	Control Plate ASM
4	120-4238	1	Bolt-Arm, Governor	9	120-4232	2	Screw-HHF
5	120-4236	1	Nut-Flange				

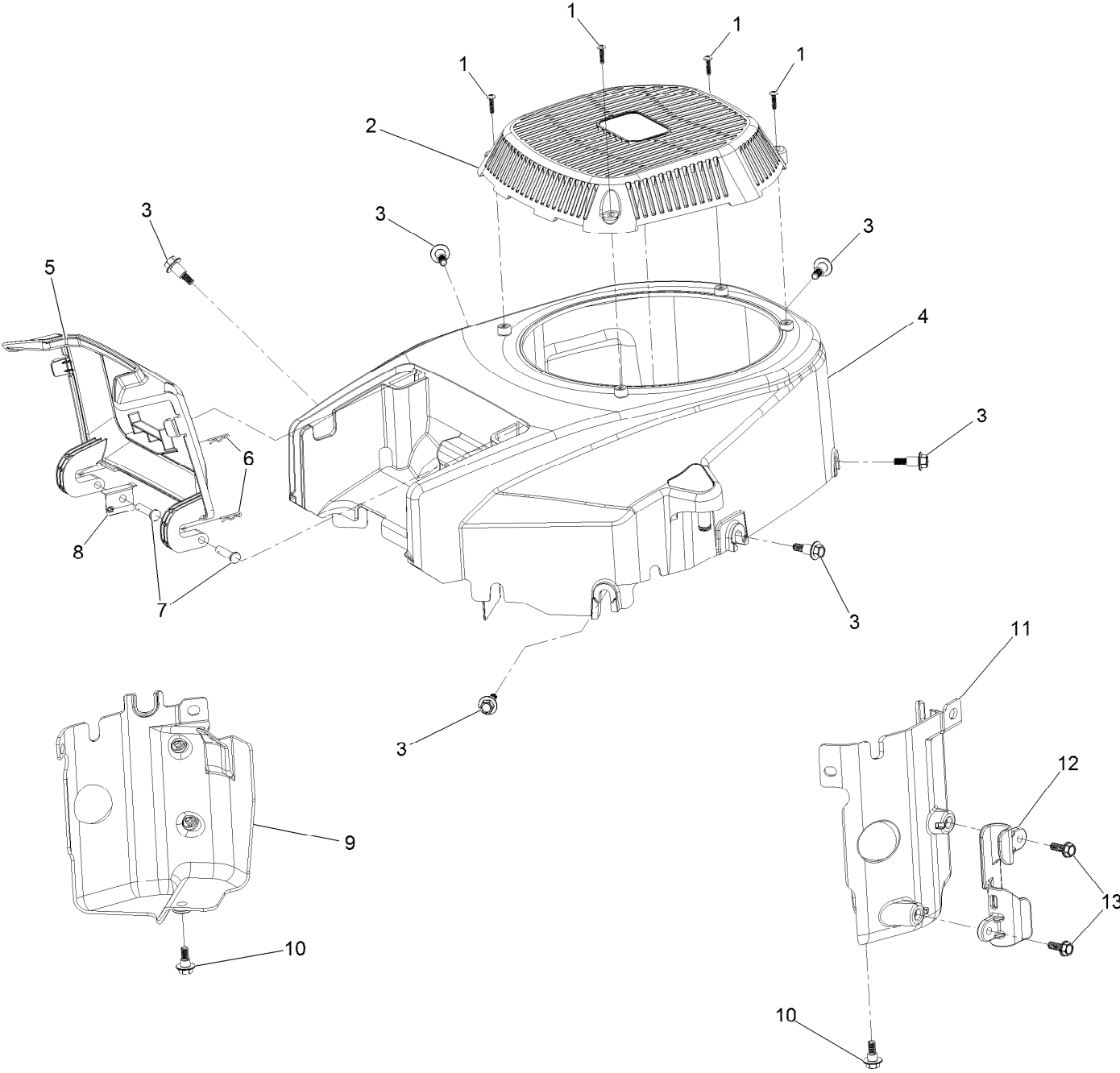
Piston and Cylinder Head Assembly



Piston and Cylinder Head Assembly (continued)

<i>Ref.</i>	<i>Part Number</i>	<i>Qty.</i>	<i>Description</i>	<i>Ref.</i>	<i>Part Number</i>	<i>Qty.</i>	<i>Description</i>
1	127-9256	2	Connecting Rod ASM	17	81-3250	2	Spark Plug
2	127-9258	4	Clip-Pin, Piston	18	127-9231	6	Screw-HWH
3	127-9257	2	Pin-Piston	19	127-9232	4	Screw-HWH
4	127-9259	2	Piston	20	120-4303	4	Seat-Spring, Valve
5	127-9260	2	Piston Ring Set	21	120-4304	4	Seal-Stem, Valve
6	127-9224	4	Lifter-Valve	22	120-4305	4	Spring-Valve
7	127-9225	4	Rod-Push	23	120-4306	4	Retainer-Spring, Valve
8	127-9226	2	Gasket-Head, Cylinder	24	120-4307	8	Keeper-Valve
9	127-9227	4	Pin-Dowel	25	127-9233	2	Plate-Guide, Push Rod
10	127-9228	2	Valve Set	26	136-7881	4	Rocker Arm ASM
11	127-9229	1	Head-Cylinder	27	127-9295	2	Gasket-Valve Cover
12	127-9254	1	Head-Cylinder	28	127-9050	2	Cover-Valve
13	121-0464	4	Stud-Exhaust	29	120-4225	8	Screw-HHF
14	120-4317	2	Gasket-Exhaust	30	120-4214	1	Screw-Shoulder, HH
15	127-9279	4	Washer-Lock, Split	31	136-7891	1	Complete Right Head ASM
16	121-0199	4	Nut-Hex M8	32	136-7892	1	Complete Left Head ASM

Blower Housing Assembly

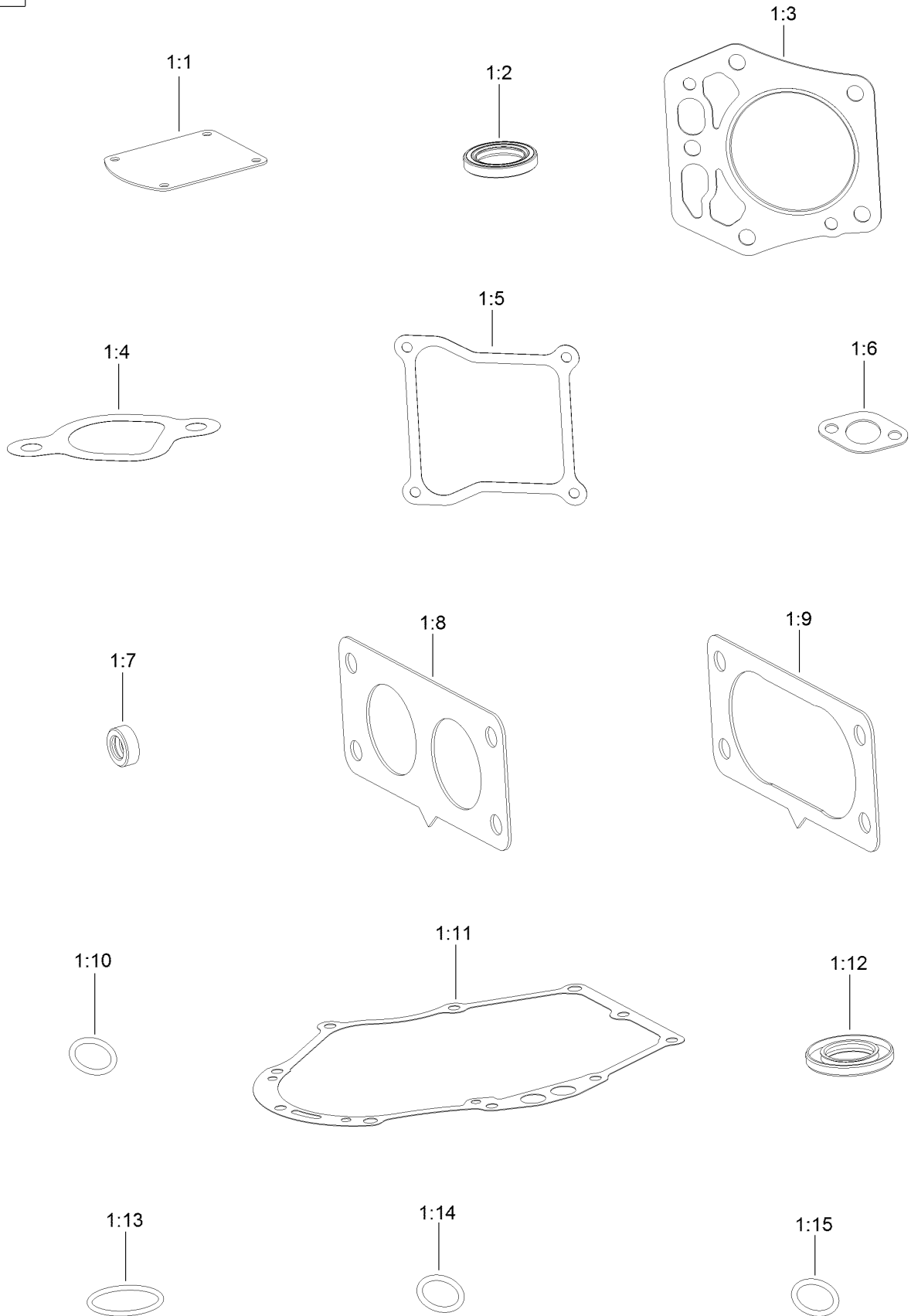


Blower Housing Assembly (continued)

<i>Ref.</i>	<i>Part Number</i>	<i>Qty.</i>	<i>Description</i>	<i>Ref.</i>	<i>Part Number</i>	<i>Qty.</i>	<i>Description</i>
1	133-1571	4	Screw-PPH, Plastic	8	127-9281	1	Plate-Spring
2	127-9045	1	Cover-Fan	9	136-7877	1	Baffle-Air, Left
3	127-9196	6	Screw-Shoulder, HWH	10	120-4210	2	Screw-Shoulder, HHF
4	133-1572	1	Shroud-Engine	11	136-7878	1	Baffle-Air, Right
5	127-9046	1	Door-Filter, Air	12	127-9287	1	Cleat-Hose
6	127-9280	2	Pin-Hair	13	120-4232	2	Screw-HHF
7	127-9282	2	Pin				

Gasket and Seal Kit

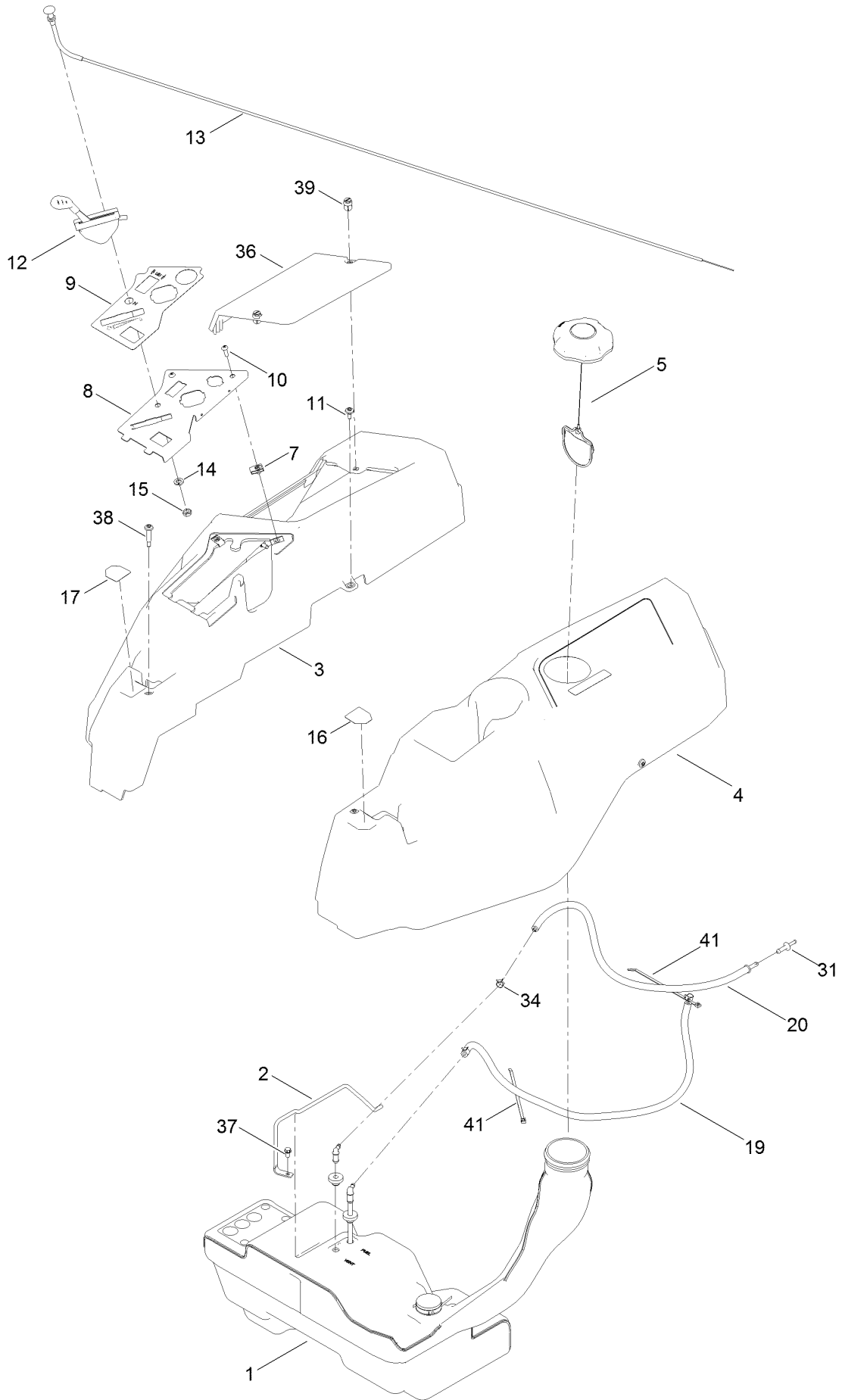
1



Gasket and Seal Kit (continued)

<i>Ref.</i>	<i>Part Number</i>	<i>Qty.</i>	<i>Description</i>	<i>Ref.</i>	<i>Part Number</i>	<i>Qty.</i>	<i>Description</i>
1	127-9296	1	Gasket And Seal Kit	1:8	127-9246	2	Gasket-Carburetor
1:1	127-9214	1	Gasket-Breather	1:9	127-9251	1	Gasket-Carburetor
1:2	120-4267	1	Seal-Oil	1:10	120-4262	2	O-Ring
1:3	127-9226	2	Gasket-Head, Cylinder	1:11	127-9267	1	Gasket-Cover, Crankcase
1:4	127-9230	2	Gasket-Intake	1:12	127-9271	1	Seal
1:5	127-9295	2	Gasket-Valve Cover	1:13	127-9273	1	O-Ring
1:6	120-4317	2	Gasket-Exhaust	1:14	127-9284	1	O-Ring
1:7	120-4257	1	Seal-Oil	1:15	127-9286	1	O-Ring

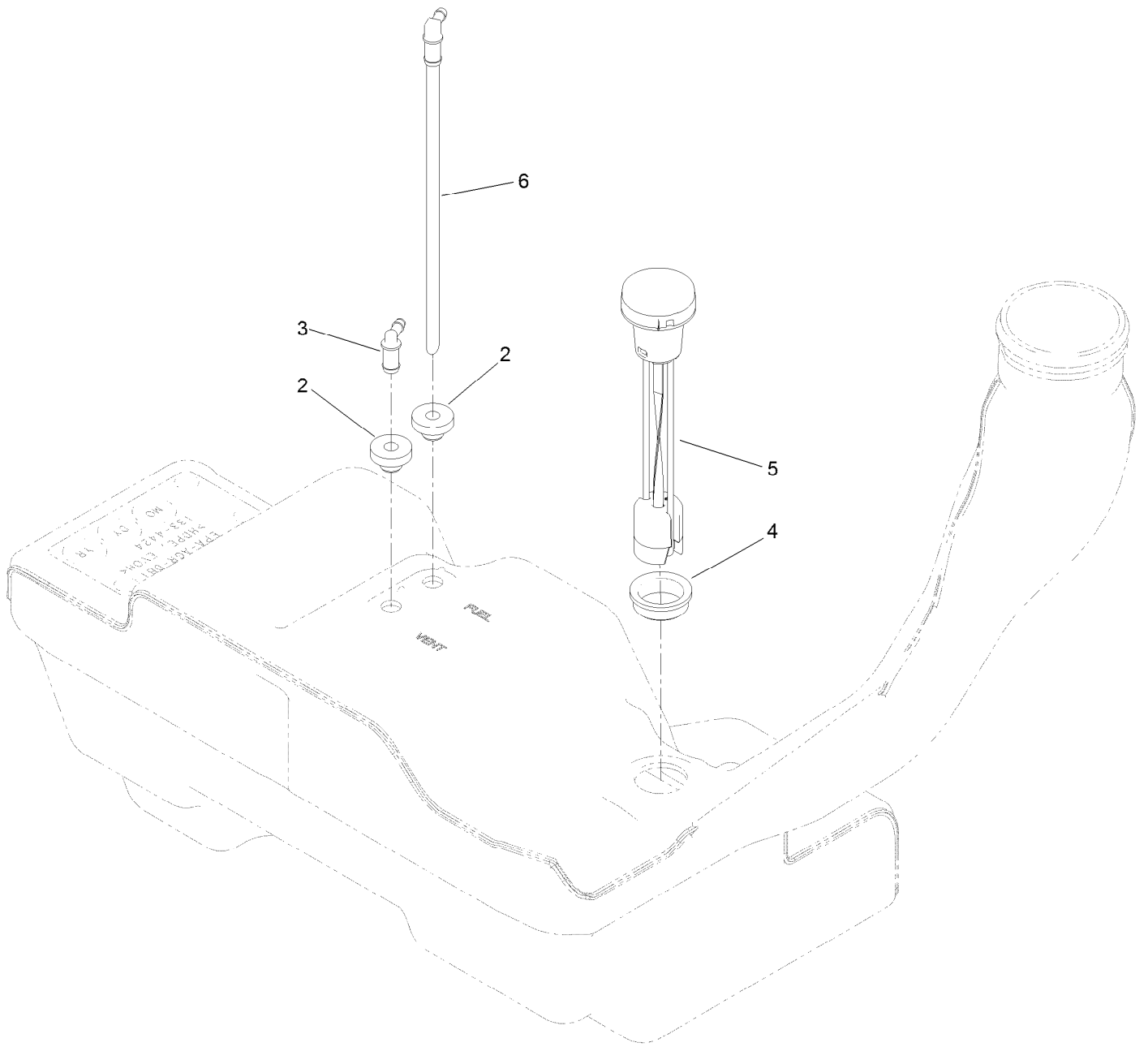
Body Styling and Fuel Tank Assembly



Body Styling and Fuel Tank Assembly (continued)

<i>Ref.</i>	<i>Part Number</i>	<i>Qty.</i>	<i>Description</i>	<i>Ref.</i>	<i>Part Number</i>	<i>Qty.</i>	<i>Description</i>
1	133-4484	1	Fuel Tank ASM	15	3220-3	1	Nut-HJ
2	136-4180	1	Rod-Hold Down	16	136-4243	1	Decal-Lever, Control (LH)
3	133-9307	1	Pod-RH	17	136-4244	1	Decal-Lever, Control (RH)
4	133-9315	1	Pod-LH	19	109-3491	1	Hose-Fuel
5	137-4119	1	Cap-Fuel, Ratcheting	20	110-4103	1	Hose-Fuel
7	107069	2	Clip	31	117-5399	1	Adaptor-Orifice
8	133-9346-03	1	Panel-Control	34	2412-98	3	Clamp-Hose
9	133-9263	1	Decal-Control W/Choke	36	133-9308	1	Cover-Battery
10	3258-166	2	Screw-PRH	37	32144-4	1	Screw-HWH
11	120-7950	4	Screw-Torx	38	136-4195	2	Screw-Shoulder
12	136-5622	1	Cable-Throttle	39	121-5840	2	Fastener
13	112-9753	1	Cable-Choke	41	614249	2	Tie-Cable
14	3253-21	1	Washer-Lock				

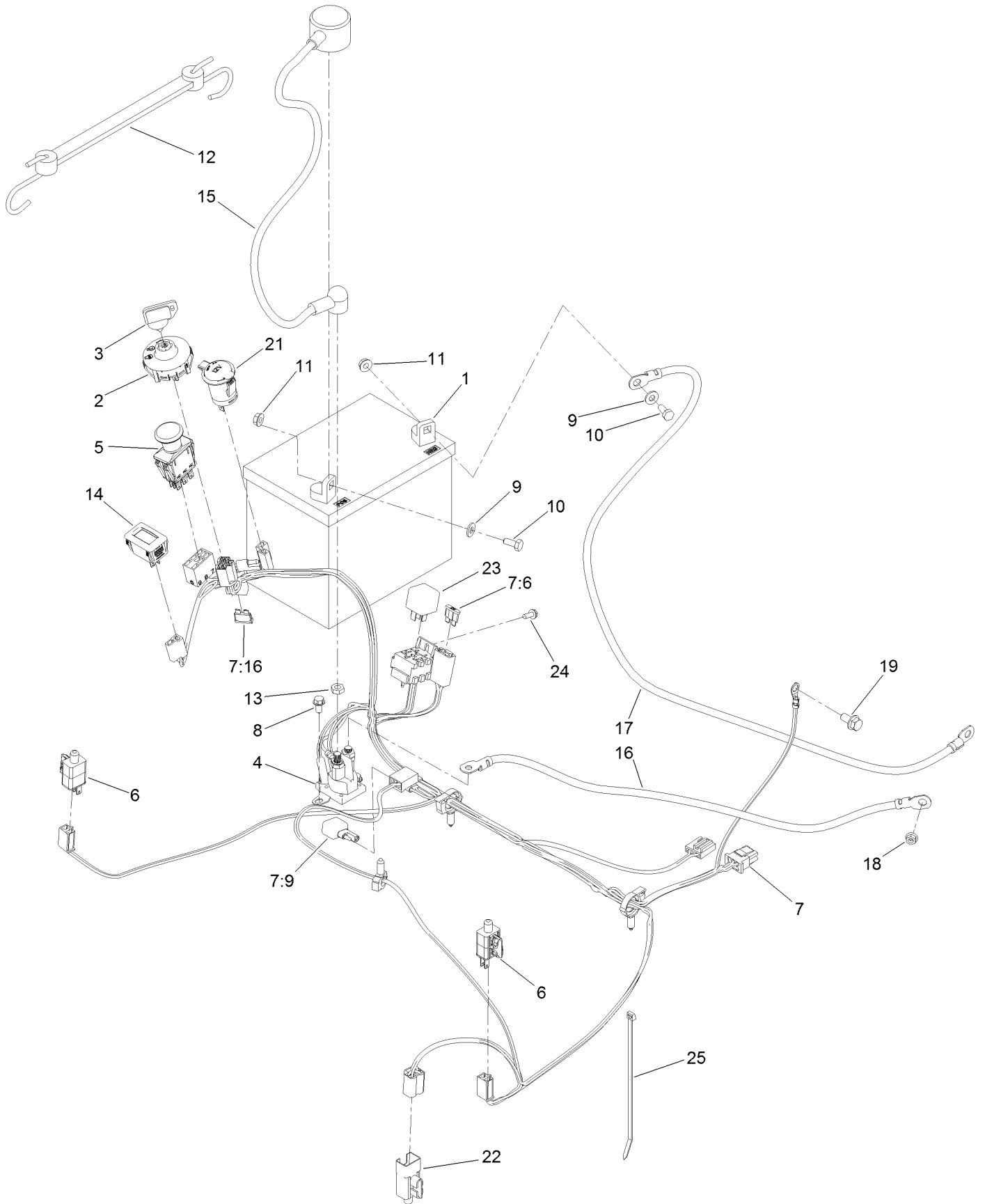
Fuel Tank Assembly No. 133-4484



Fuel Tank Assembly No. 133-4484 (continued)

<i>Ref.</i>	<i>Part Number</i>	<i>Qty.</i>	<i>Description</i>	<i>Ref.</i>	<i>Part Number</i>	<i>Qty.</i>	<i>Description</i>
2	46-6560	2	Bushing	5	133-9270	1	Gauge-Fuel
3	117-7400	1	Fitting-Plastic	6	121-0793	1	Connector-Elbow, 90 DEG
4	133-9269	1	Grommet-Fuel				

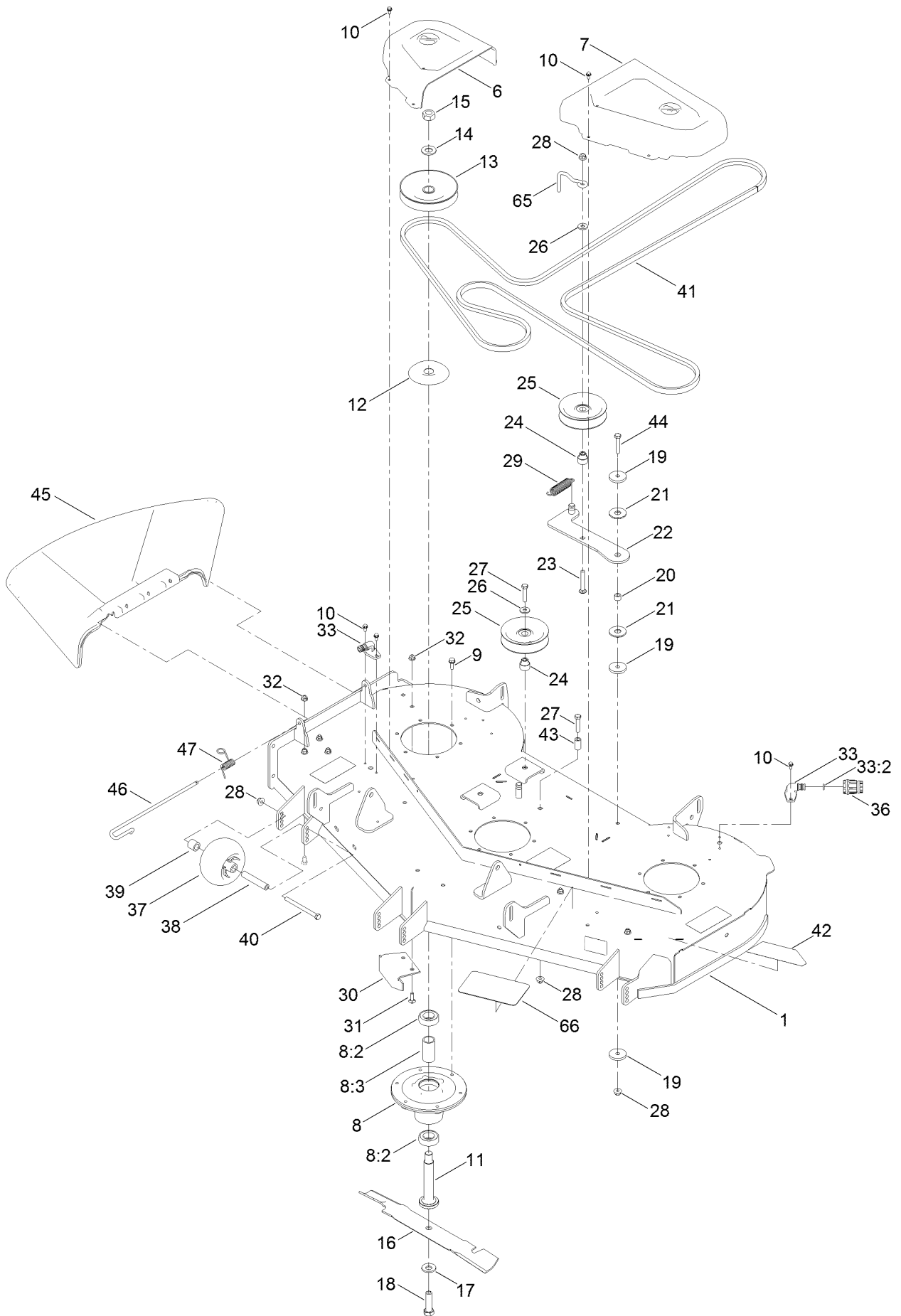
Electrical Assembly



Electrical Assembly (continued)

<i>Ref.</i>	<i>Part Number</i>	<i>Qty.</i>	<i>Description</i>	<i>Ref.</i>	<i>Part Number</i>	<i>Qty.</i>	<i>Description</i>
1	105-1692	1	Battery, 230CCA W/O Electrolyte	11	32128-33	2	Nut-HF
2	137-4100	1	Switch-Ignition	12	104-2466	1	Holddown-Battery
3	63-8360	1	Key-Ignition	13	3220-2	2	Nut-Jam
4	117-1197	1	Solenoid	14	120-2244	1	Hourmeter
5	103-5221	1	Switch-PTO	15	115-3864	1	Cable-Battery, Positive
6	110-6765	2	Switch	16	136-7473	1	Cable-Battery, Positive
7	136-4191	1	Harness-Wiring	17	117-7240	1	Cable-Battery, Negative
7:6	109102	1	Fuse-Blade, 25 Amp	18	33003-00	1	Nut-HF
7:9	100-4918	1	Diode	19	3234-14	1	Screw-HHF
7:16	109355	1	Fuse-Blade, 15 Amp	21	126-6499	1	Port-Power, 12V
8	32144-4	2	Screw-HWH	22	99-7408	1	Switch-Reverse
9	3256-22	2	Washer-Flat	23	98-7249	1	Relay
10	321-3	2	Screw-HH	24	32144-1	1	Screw-Taptite
				25	614249	1	Tie-Cable

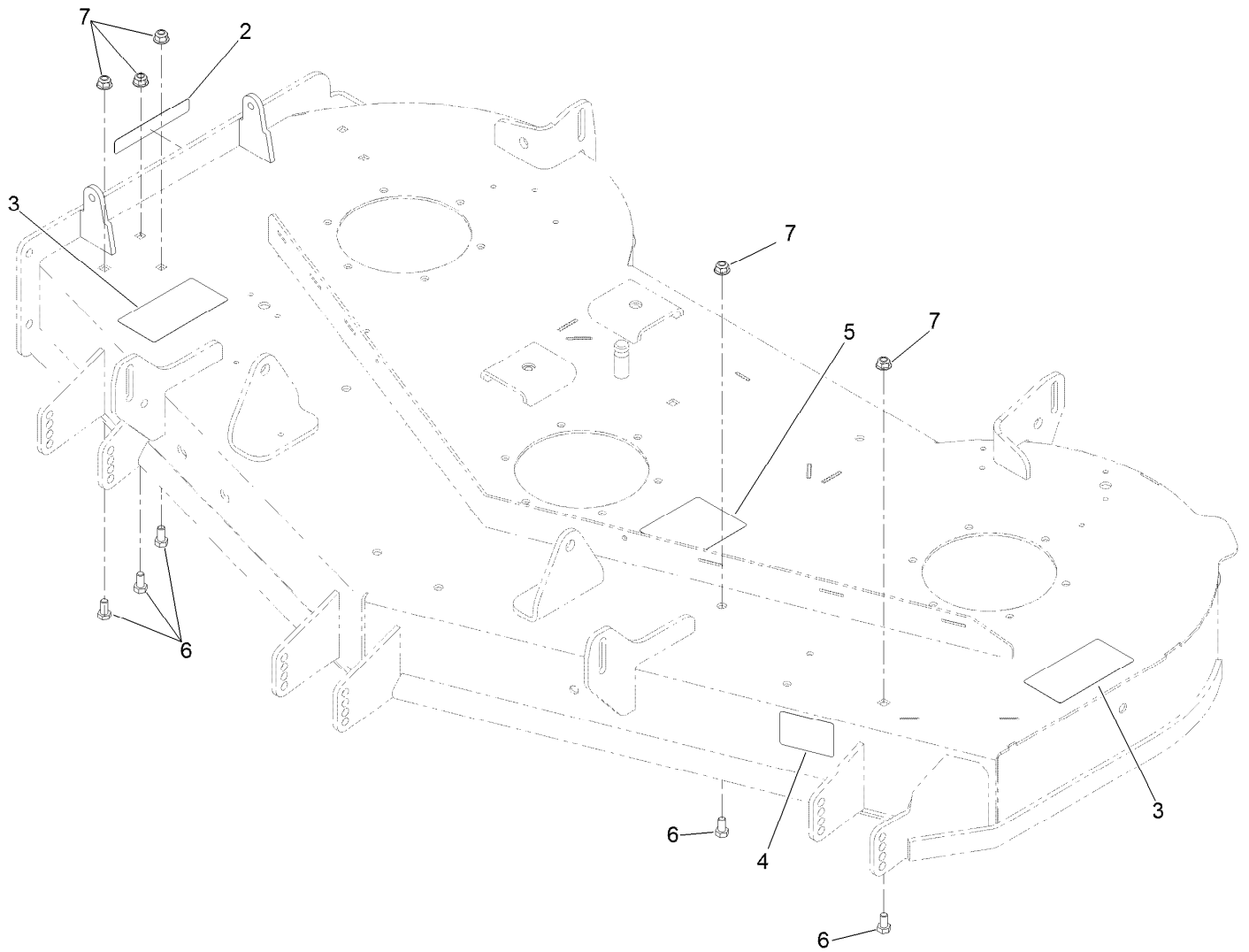
Deck and Belt Assembly



Deck and Belt Assembly (continued)

<i>Ref.</i>	<i>Part Number</i>	<i>Qty.</i>	<i>Description</i>	<i>Ref.</i>	<i>Part Number</i>	<i>Qty.</i>	<i>Description</i>
1	133-7068	1	Deck ASM	26	80-6990	3	Washer-Hardened
6	133-9283	1	Cover-Belt, RH	27	323-9	3	Screw-HH
7	133-9282	1	Cover-Belt, LH	28	104-8301	6	Nut-HF, NI
8	120-5477	3	Spindle ASM	29	108-4056	1	Spring-Extension
8:2	116-0720	2	Bearing-Ball	30	115-9653-03	1	Baffle-Cutoff
8:3	115-2641	1	Spacer-Bearing	31	3230-22	2	Screw-CARR
9	32144-41	18	Screw-Taptite	32	104-8300	7	Nut-HF, NI
10	32144-4	12	Screw-HWH	33	133-9289	2	Fitting-Washout
11	115-2642	3	Shaft-Spindle	33:2	133-9290	1	O-Ring
12	117-7210	3	Shield-Bearing	36	95-3270	1	Connector-Hose
13	115-5018	3	Pulley	37	1-603299	3	Roller-Scalp, Anti
14	7-4150	3	Washer	38	98-7912	3	Tube-Spanner
15	3219-7	3	Nut-Hex	39	104-0892	3	Spacer-Axle, Rear
16	115-9650-03	3	Blade-Hi Flo	40	323-23	3	Screw-HH
17	125-1736	3	Washer-Belleville	41	133-7076	1	V-Belt
18	51-4060	3	Screw-Blade	42	117-5302	1	Decal
19	110-9981	3	Washer-Plain	43	1-603401	1	Spacer
20	1-413088	1	Bushing-Lever, Lift	44	323-10	1	Screw-HH
21	114-0463	2	Washer-Friction, Composite	45	133-1212	1	Deflector-Discharge
22	115-5054	1	Arm-Idler	46	109-8854	1	Pin-Chute
23	3231-31	1	Screw-CARR	47	121-2983	1	Spring-Torsion
24	115-2577	3	Bushing-Idler	65	136-5615	1	Guide-Belt, Idler
25	132-4718	3	Pulley-Idler, Flat	66	133-9313	1	Tread-Step

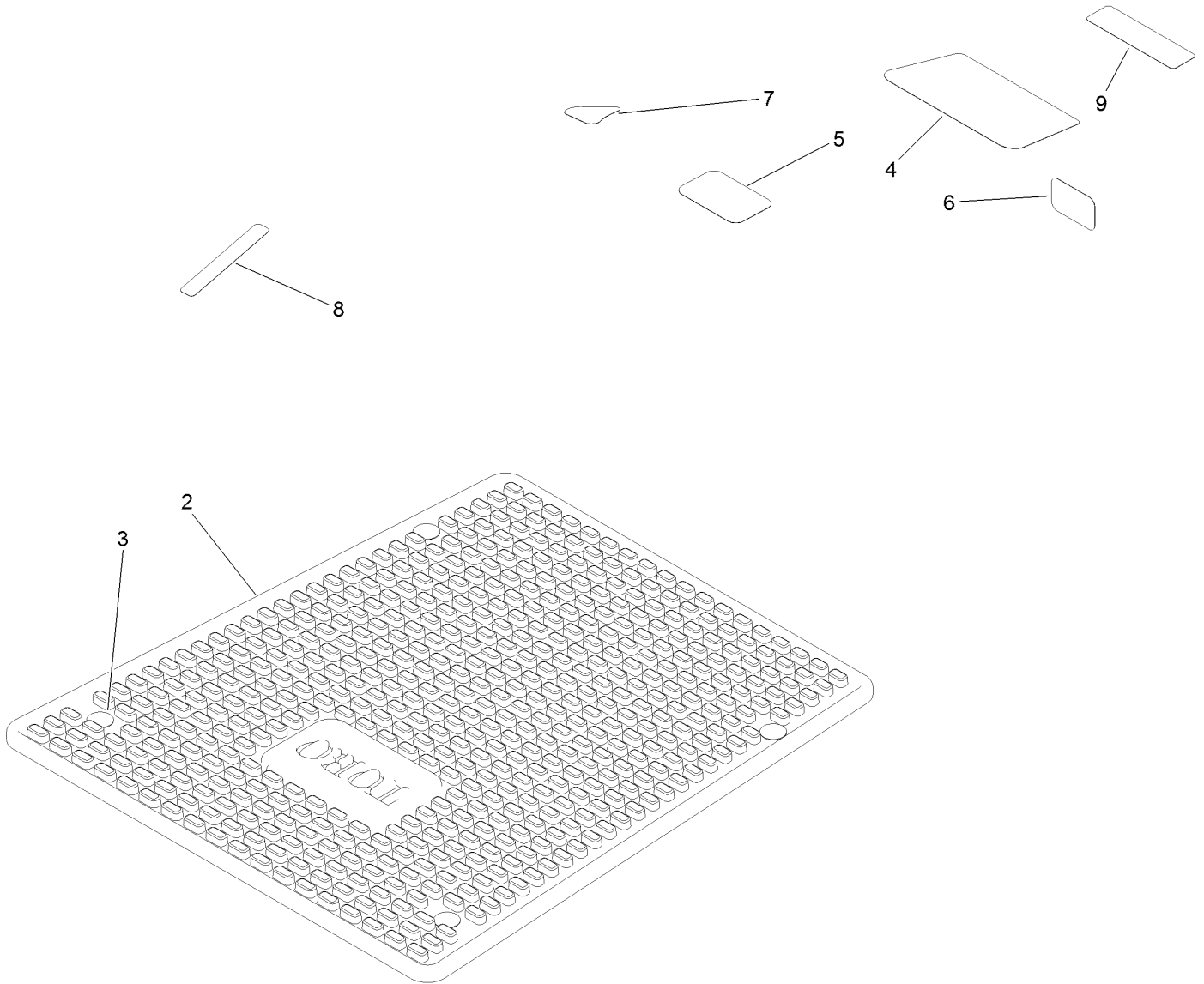
Deck Decal Assembly No. 133-7068



Deck Decal Assembly No. 133-7068 (continued)

<i>Ref.</i>	<i>Part Number</i>	<i>Qty.</i>	<i>Description</i>	<i>Ref.</i>	<i>Part Number</i>	<i>Qty.</i>	<i>Description</i>
2	130-0731	1	Decal-Danger	5	117-1194	1	Decal-Routing, Belt
3	132-0872	2	Decal-Danger, Deck	6	322-2	5	Screw-HH
4	130-0765	1	Decal-Scalp, Anti	7	104-8300	5	Nut-HF, NI

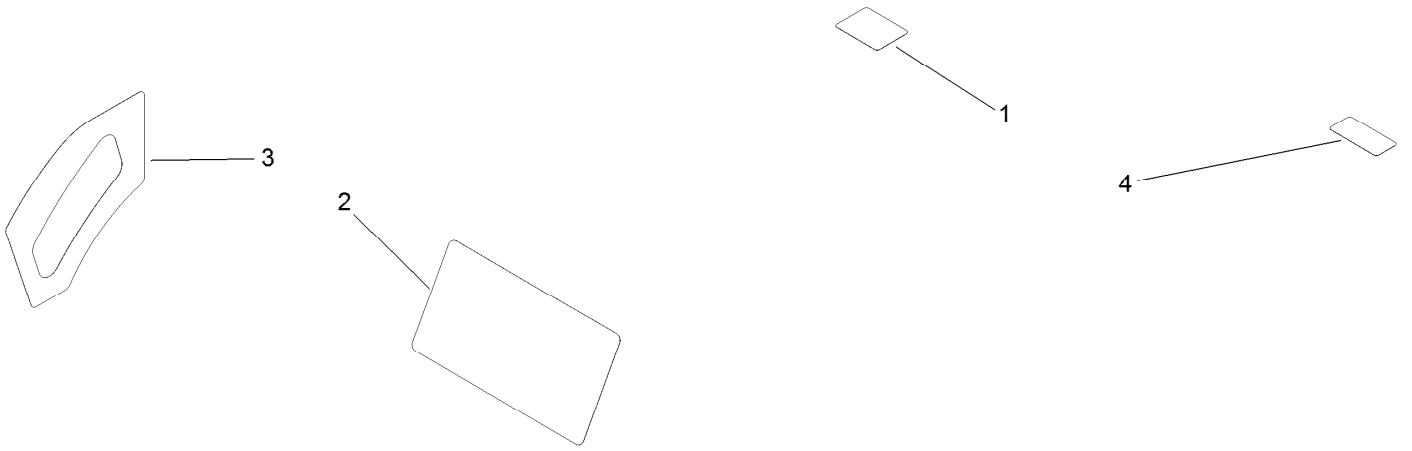
Model Specific Decal Assembly



Model Specific Decal Assembly (continued)

<i>Ref.</i>	<i>Part Number</i>	<i>Qty.</i>	<i>Description</i>	<i>Ref.</i>	<i>Part Number</i>	<i>Qty.</i>	<i>Description</i>
2	132-6895	1	Mat-Floor	6	127-9076	1	Placard-Intake
3	117-2382	4	Plug-Plastic	7	131-1097	1	Decal-Drain, Oil
4	136-5597	1	Decal-Engine	8	132-0904	1	Decal-Shutdown
5	131-4157	1	Decal	9	136-9186	1	Decal-Bucket

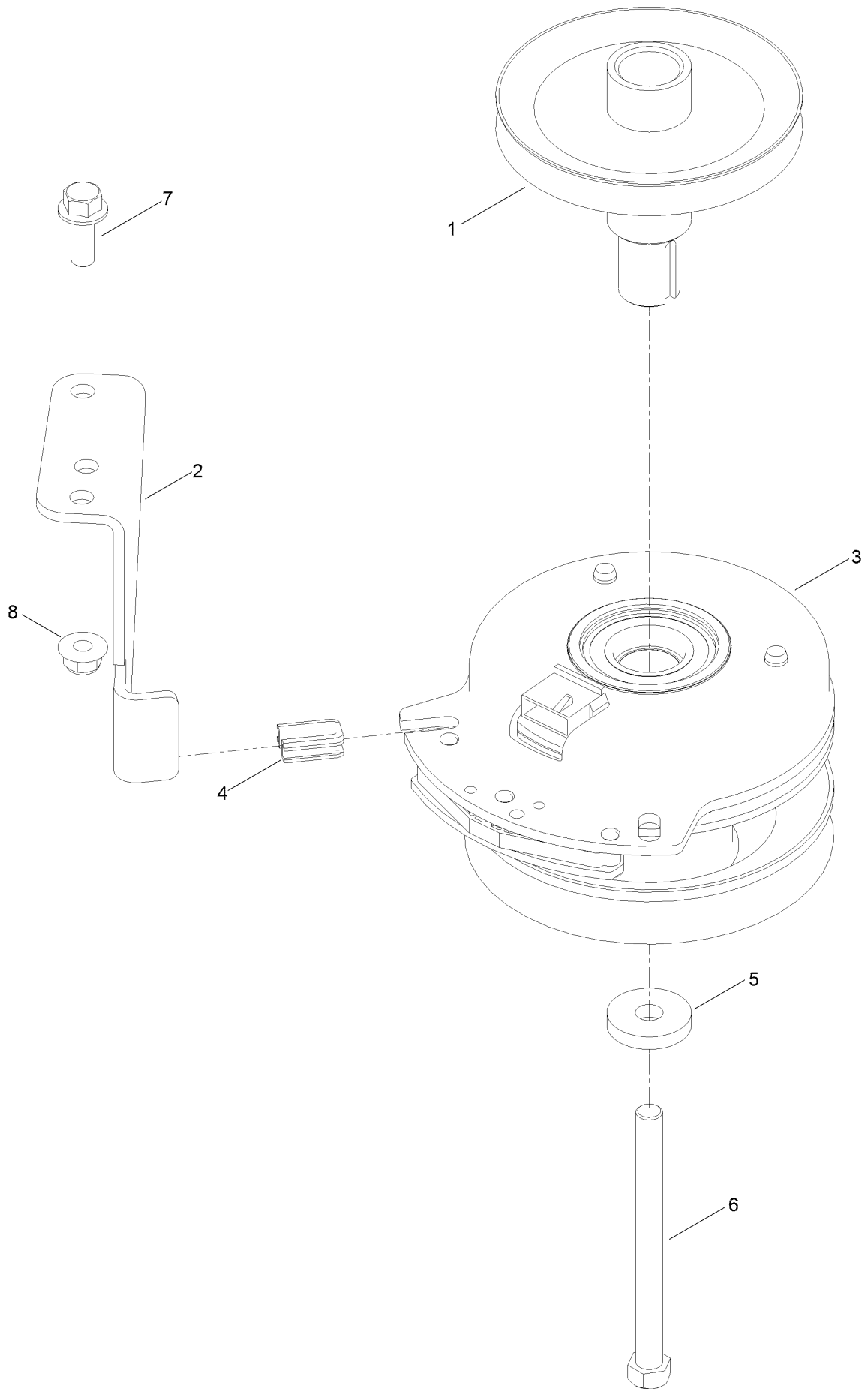
Series Decal Assembly



Series Decal Assembly (continued)

<i>Ref.</i>	<i>Part Number</i>	<i>Qty.</i>	<i>Description</i>	<i>Ref.</i>	<i>Part Number</i>	<i>Qty.</i>	<i>Description</i>
1	136-5596	1	Decal-Maintenance	3	130-0654	1	Decal-HOC
2	131-3947	1	Decal-Control, Speed	4	121-5684	1	Decal-Location, Service Dealer

Clutch Assembly



Clutch Assembly (continued)

<i>Ref.</i>	<i>Part Number</i>	<i>Qty.</i>	<i>Description</i>	<i>Ref.</i>	<i>Part Number</i>	<i>Qty.</i>	<i>Description</i>
1	133-1208	1	Pulley-Engine	5	112843	1	Washer
2	137-7000	1	Stop-Clutch (Wide)	6	3212-19	1	Screw-HH
3	127-3410	1	Clutch-PTO	7	3234-42	1	Screw-HHF
4	120-2217	1	Isolator-Clutch	8	104-8301	1	Nut-HF, NI

Attachments and Accessories

For 75202 TimeCutter HD ZX5400 Riding Mower

Product Name	Model/Part
All Season Synthetic Oil (10W30, QT)	117-0066
54/60 Inch Striping Kit.....	117-5319
Leaf Bagging Enhancement Kit	117-7202
Jack Kit	127-6666
Fuel Stabilizer .05 oz	130-2393
4-Cycle Fuel, Snow And Lawn 32oz Can	131-3823
Toro Premium Fuel Treatment 12 Oz Bottle	131-6572
Deck Lift Assist Kit	132-6850
5 Gallon Bucket	133-2533
54in Recycler Kit.....	136-7489
Mount Kit	136-7491
Weight Kit	136-7492
Light Kit.....	136-7493
Bucket Mount.....	136-7494
Rops Kit	136-7495
HD Air Cleaner Kit	136-7860
Jack Mount Kit	136-9200
Sunshade	137-7011
Product Cover.....	137-7012
10w30 4-Cycle Engine Oil (32oz Bottle).....	38280
Toro 4-Cycle SAE 30 Oil (32oz Bottle)	38903
EZ Vac Complete Twin Bagger	79345

Notes:



Count on it.