



Count on it.

Parts Catalog

**TimeCutter® HD MyRide® 48in
Riding Mower**

Model No. 75211—Serial No. 402000000 and Up



Ordering Replacement Parts

To order replacement parts, please supply the part number, the quantity, and the description of each part desired.

Understanding Reference Numbers

Each identified part in an illustration has a reference number. The reference number for a part also appears in the parts list, along with other information about the part.

This catalog uses two special reference number formats, one to indicate parts in a service assembly and another to indicate the quantity of a given part in an illustration.

Service Assembly Reference Numbers

Parts in service assemblies have reference numbers in the form a:b. The a represents the reference number of the entire service assembly and the b represents a sequential number unique to each part within the service assembly.

For example, a wheel assembly might be identified by reference number 6, the tire by 6:1, the valve by 6:2, and the wheel by 6:3. When you order the assembly identified by reference number 6, you receive all parts identified by reference numbers 6:1, 6:2, and 6:3. However, you may also order any part individually. Reference numbers of this type appear in illustration and in parts lists.

Reference Numbers Indicating Quantity

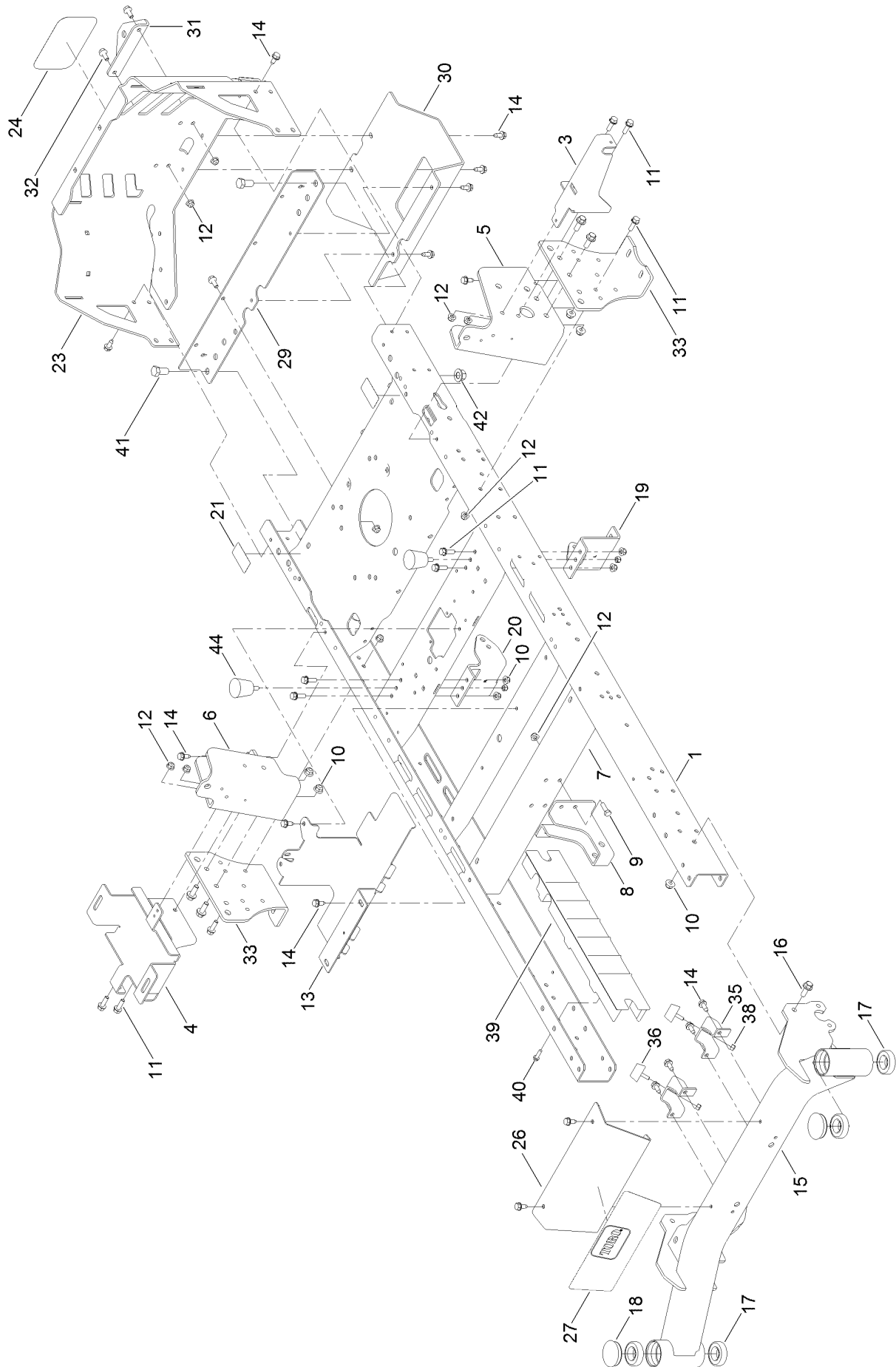
In an illustration, if a reference number indicates more than one part, the reference number has the form nX y. The n represents the quantity of the part, the X is the multiplication symbol, and the y represents the reference number.

For example, in an illustration, the reference number 2X 37 means that two of the parts identified by reference number 37 are indicated.

Contents

Frame Assembly	4
Deck Lift Assembly	6
Caster Fork Assembly	8
Hydro Transaxle Drive and Rear Wheel Assembly	10
LH Transaxle Assembly No. 133-4420	12
RH Transaxle Assembly No. 133-4421	14
Parking Brake Assembly	16
Rear Tire and Wheel Assembly	18
Seat Pan Assembly	20
Seat Assembly No. 139-2367	22
Motion Control Assembly	24
Engine and Muffler Assembly	26
Fuel System Assembly	28
Carburetor Assembly	30
Air Intake and Filtration Assembly	32
Ignition and Cooling Fan	34
Crankcase and Crankshaft Assembly	36
Governor Control Assembly	38
Piston and Cylinder Head Assembly	40
Blower Housing Assembly	42
Gasket and Seal Kit	44
Body Styling and Fuel Tank Assembly	46
Fuel Tank Assembly No. 133-4484	48
Battery and Electrical Assembly	50
Deck Assembly	52
Model Specific Decal Assembly	54
Series Decal Assembly	56
Clutch Assembly	58
Attachments and Accessories	60

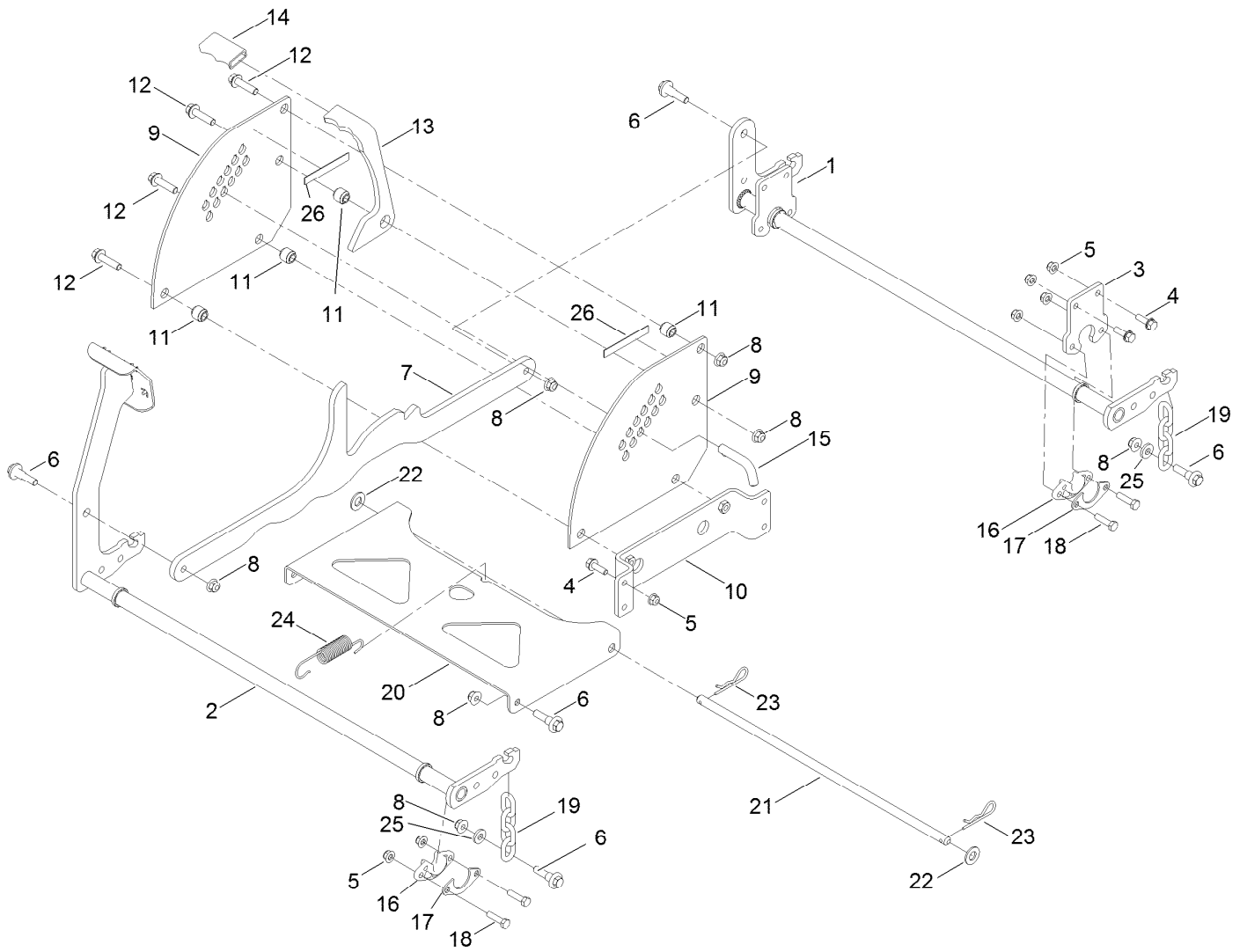
Frame Assembly



Frame Assembly (continued)

<i>Ref.</i>	<i>Part Number</i>	<i>Qty.</i>	<i>Description</i>	<i>Ref.</i>	<i>Part Number</i>	<i>Qty.</i>	<i>Description</i>
1	137-7023-01	1	Frame ASM	20	137-7020-01	1	Mount-Hydro, Front (Right)
3	133-7051-03	1	Bracket-Support, Pod (LH)	21	121-2989	2	Decal-Bypass
4	136-4185-03	1	Tray-Battery	23	133-4431-03	1	Guard-Engine
5	137-5068-01	1	Bracket-Mounting, LH	24	99-4693	1	Decal
6	137-5069-01	1	Bracket-Mounting, RH	26	133-9345-01	1	Plate-Front
7	133-4413-01	1	Brace-Cross, Lower	27	136-7472	1	Decal-Timecutter HD
8	133-4435-01	1	Bracket-Mount Damper, Lower	29	133-4303-01	1	Crossmember-Rear
9	322-5	4	Screw-HH	30	133-4429-03	1	Guard-Muffler
10	104-8301	10	Nut-HF, NI	31	117-1232-03	1	Bracket-Hitch
11	3234-29	20	Screw-HHF	32	3234-47	6	Screw-HHF
12	104-8300	30	Nut-HF, NI	33	133-1201-03	2	Mount-Hydro
13	133-4485-03	1	Bracket-Mount	35	133-4414-01	2	Bracket-Stop, Bump
14	32144-70	26	Screw-HWHTF	36	131-8834	2	Bumper
15	133-4310-01	1	Axle-Front	38	3296-42	4	Nut-Lock, NI
16	3234-42	10	Screw-HHF	39	133-7072	2	Guard-Rail
17	109-3678	4	Bearing-Ball	40	46-8091	6	Screw-HWH
18	116-4348	2	Cap-Grease	41	325-4	2	Screw-HH
19	137-7021-01	1	Mount-Hydro, Front (Left)	42	99-5107	2	Nut-Lock
				44	132-5058	2	Bumper-Rubber

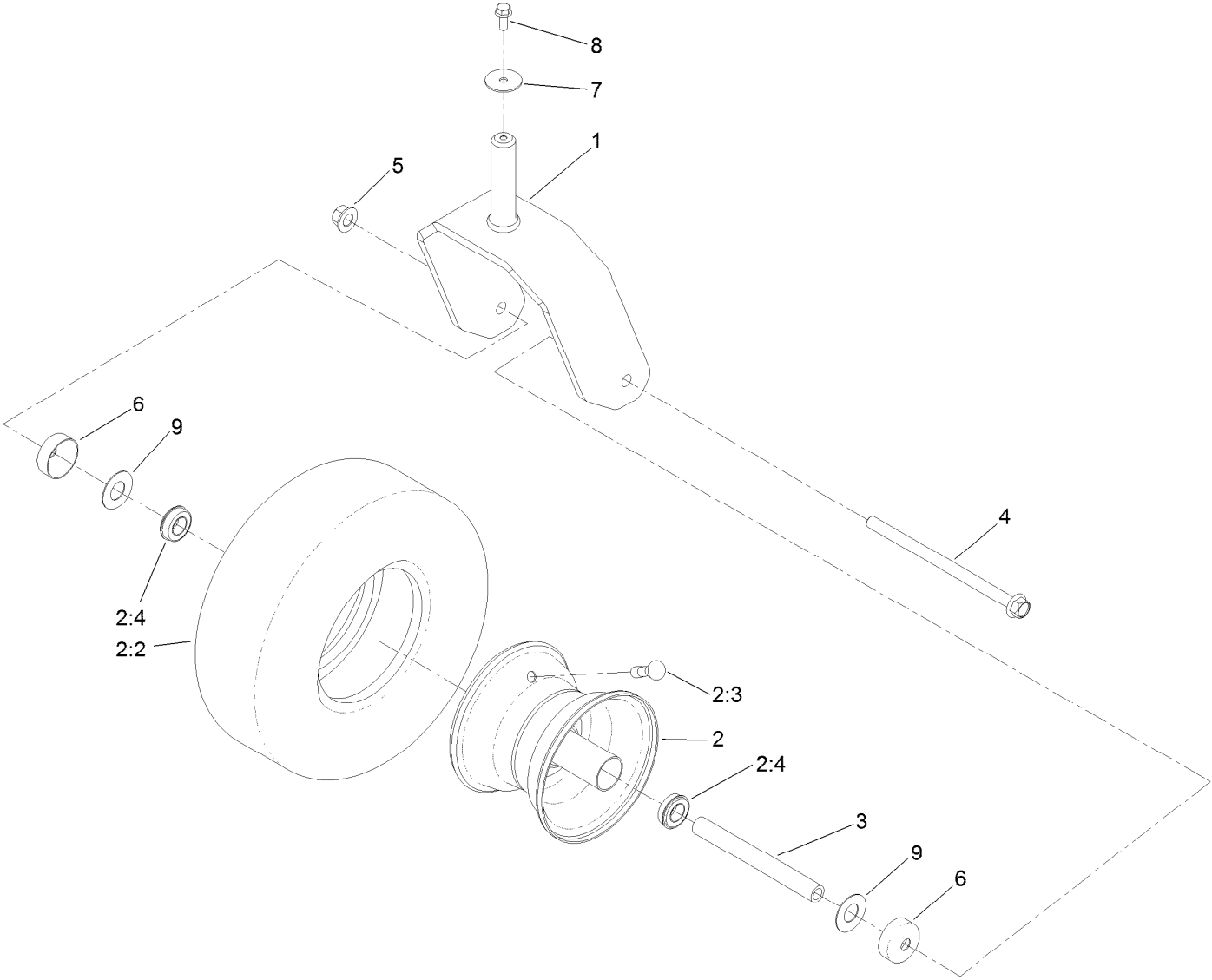
Deck Lift Assembly



Deck Lift Assembly (continued)

<i>Ref.</i>	<i>Part Number</i>	<i>Qty.</i>	<i>Description</i>	<i>Ref.</i>	<i>Part Number</i>	<i>Qty.</i>	<i>Description</i>
1	137-2020-03	1	Pivot-Rear	14	116-4312	1	Grip-Flat
2	133-4430-03	1	Pivot-Front	15	116-5584	1	Pin-HOC
3	137-2021-03	2	Plate	16	115-5065	4	Bushing-Flange
4	3234-29	8	Screw-HHF	17	116-2887	4	Gusset-Lift, Deck
5	104-8300	16	Nut-HF, NI	18	322-6	8	Screw-HH
6	130-0742	8	Bolt-Shoulder	19	130-0668	4	Chain-Decklift
7	127-3390-03	1	Link-HOC	20	133-4311-01	1	Pan-Pivot, Deck
8	104-8301	10	Nut-HF, NI	21	133-7071	1	Rod-Pivot, Deck
9	127-3389-03	2	Plate-Deck, Lift	22	3256-26	2	Washer-Flat
10	133-7049	1	Plate-Lift	23	1-806005	2	Pin-Cotter
11	116-4313	4	Spacer-Step, Double	24	115-9652	1	Spring-Extension
12	114-4681	4	Screw-HHF	25	43-0940	4	Spacer
13	127-3391	1	Lock-Transport, HOC	26	130-0734	2	Pad-Rubber

Caster Fork Assembly



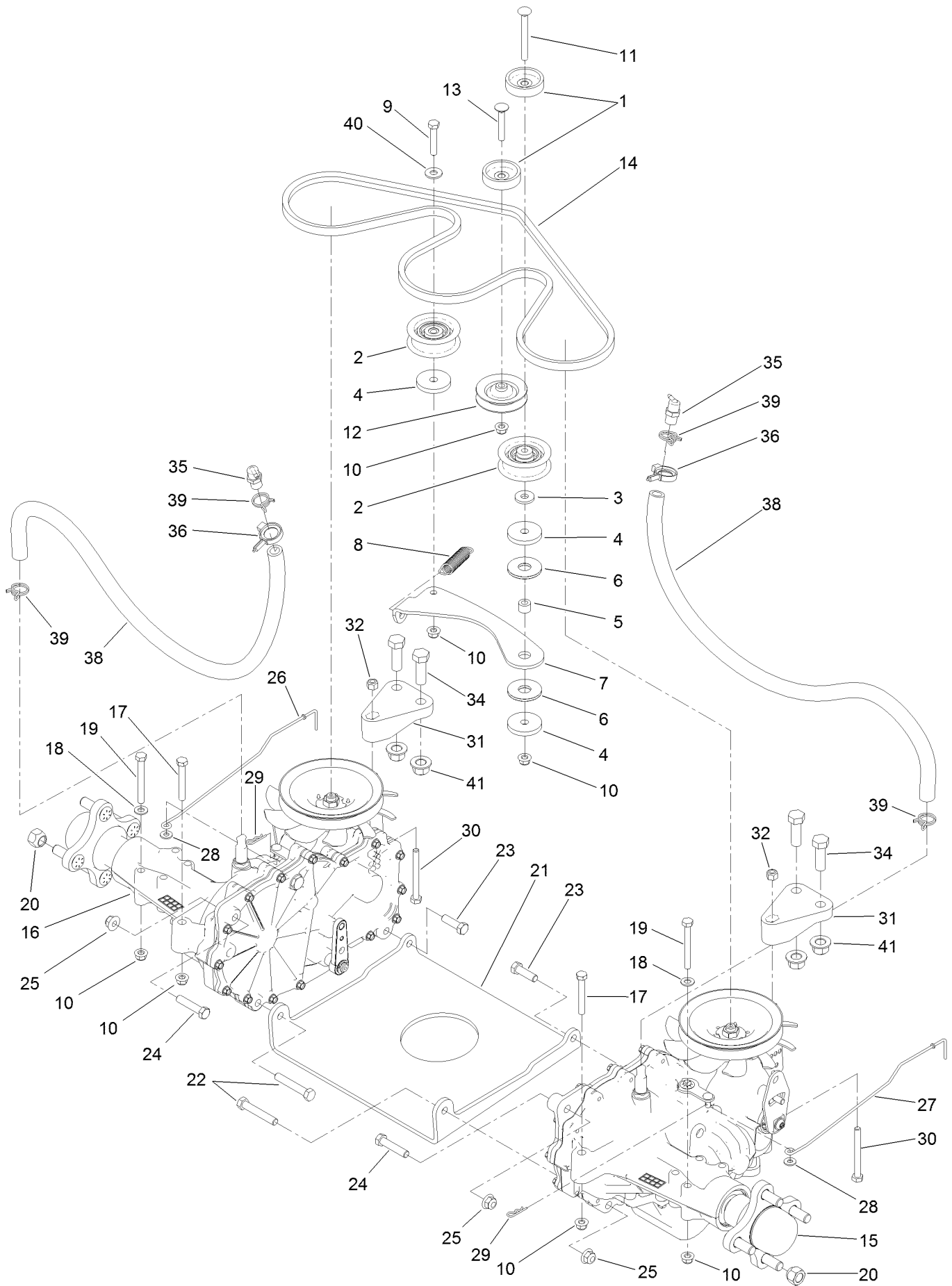
Caster Fork Assembly (continued)

<i>Ref.</i>	<i>Part Number</i>	<i>Qty.</i>	<i>Description</i>	<i>Ref.</i>	<i>Part Number</i>	<i>Qty.</i>	<i>Description</i>
1	126-4312-01	2	Fork-Caster	4	126-5389	2	Screw-HHF
2	133-4428	2	Tire And Wheel ASM	5	99-5107	2	Nut-Lock
2:2	125-5581	1	Tire	6	133-7088	4	Guard-Seal
2:3	232-27	1	Stem-Valve	7	3256-68	2	Washer-Flat
2:4	136-4190	2	Bearing	8	3234-47	2	Screw-HHF
2:99	232-46	1	Tube-Inner ●■	9	136-5590	4	Washer
3	133-4487	2	Spanner-Wheel				

● Not illustrated

■ Optional Equipment

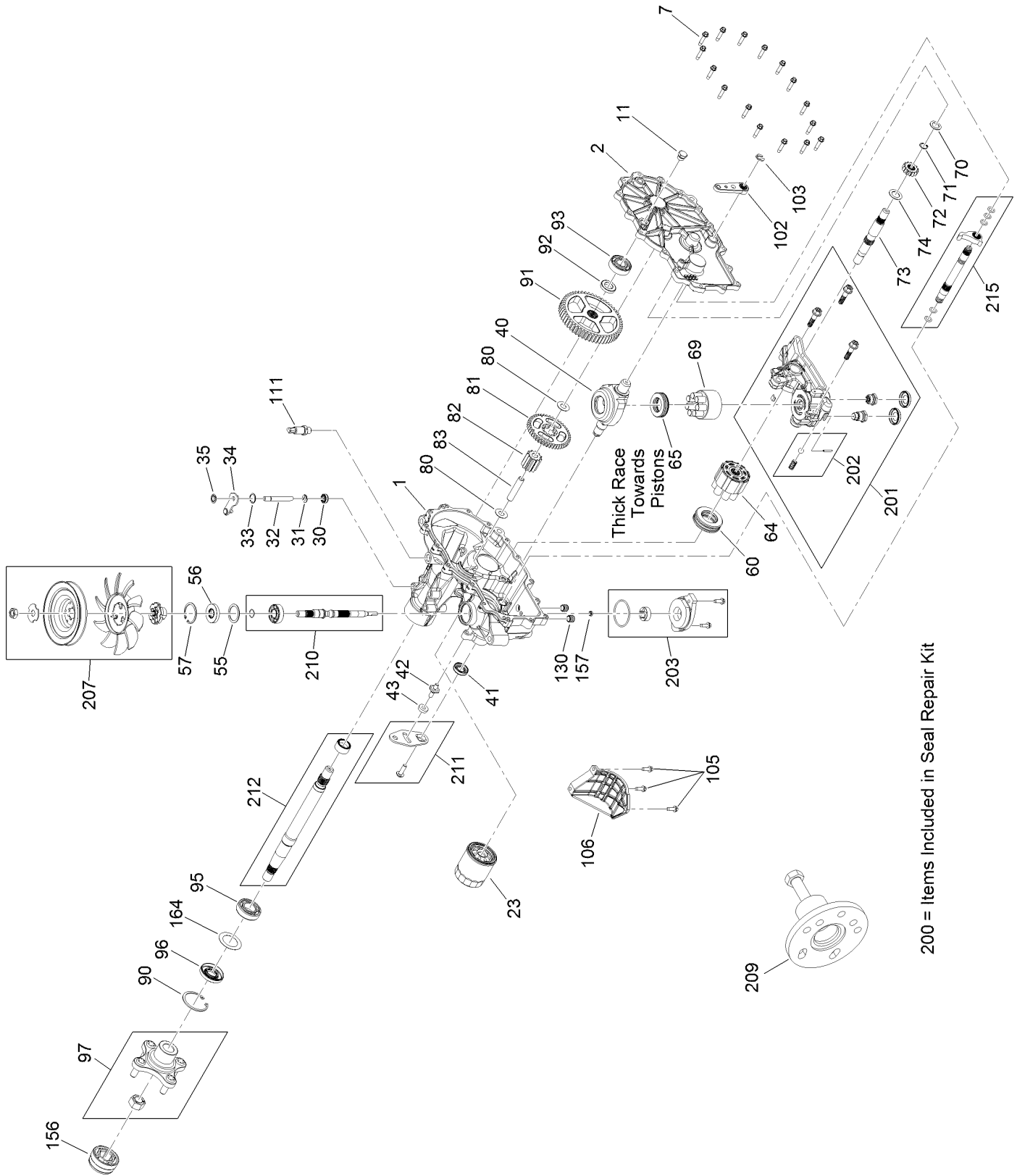
Hydro Transaxle Drive and Rear Wheel Assembly



Hydro Transaxle Drive and Rear Wheel Assembly (continued)

<i>Ref.</i>	<i>Part Number</i>	<i>Qty.</i>	<i>Description</i>	<i>Ref.</i>	<i>Part Number</i>	<i>Qty.</i>	<i>Description</i>
1	119-3353	2	Spacer	20	242-50	8	Nut-Lug
2	106-2176	2	Pulley-Idler	21	130-0718-01	1	Plate-Cross, Hydro
3	1-613235	1	Washer	22	323-11	2	Screw-HH
4	110-9981	3	Washer-Plain	23	323-7	2	Screw-HH
5	114-8549	1	Bushing	24	323-9	2	Screw-HH
6	114-0463	2	Washer-Friction, Composite	25	104-8301	6	Nut-HF, NI
7	133-4423	1	Arm-Idler	26	133-4304	1	Rod-Bypass, RH
8	104-6415	1	Spring-Return, Pedal	27	133-4305	1	Rod-Bypass, LH
9	322-9	1	Screw-HH	28	3256-22	2	Washer-Flat
10	104-8300	9	Nut-HF, NI	29	3290-307	2	Pin-Cotter
11	119-9784	1	Screw-CARR	30	322-14	2	Screw-HH
12	119-8822	1	Pulley-Idler	31	133-1247	2	Support-Hydro, Rear
13	3230-6	1	Bolt-CARR	32	3296-29	2	Nut-Lock, NI
14	133-4371	1	V-Belt	34	325-6	4	Screw-HH
15	133-4420	1	LH Hydro Transmission ASM	35	136-4183	2	Breather Kit
16	133-4421	1	RH Hydro Transmission ASM	36	105-1853	2	Clamp-Hose
17	322-11	2	Screw-HH	38	136-4182	2	Hose-Hydro
18	3256-23	6	Washer-Plain	39	117-1193	4	Clamp-Hose
19	322-13	4	Screw-HH	40	3256-3	1	Washer-Flat
				41	99-5107	4	Nut-Lock

LH Transaxle Assembly No. 133-4420

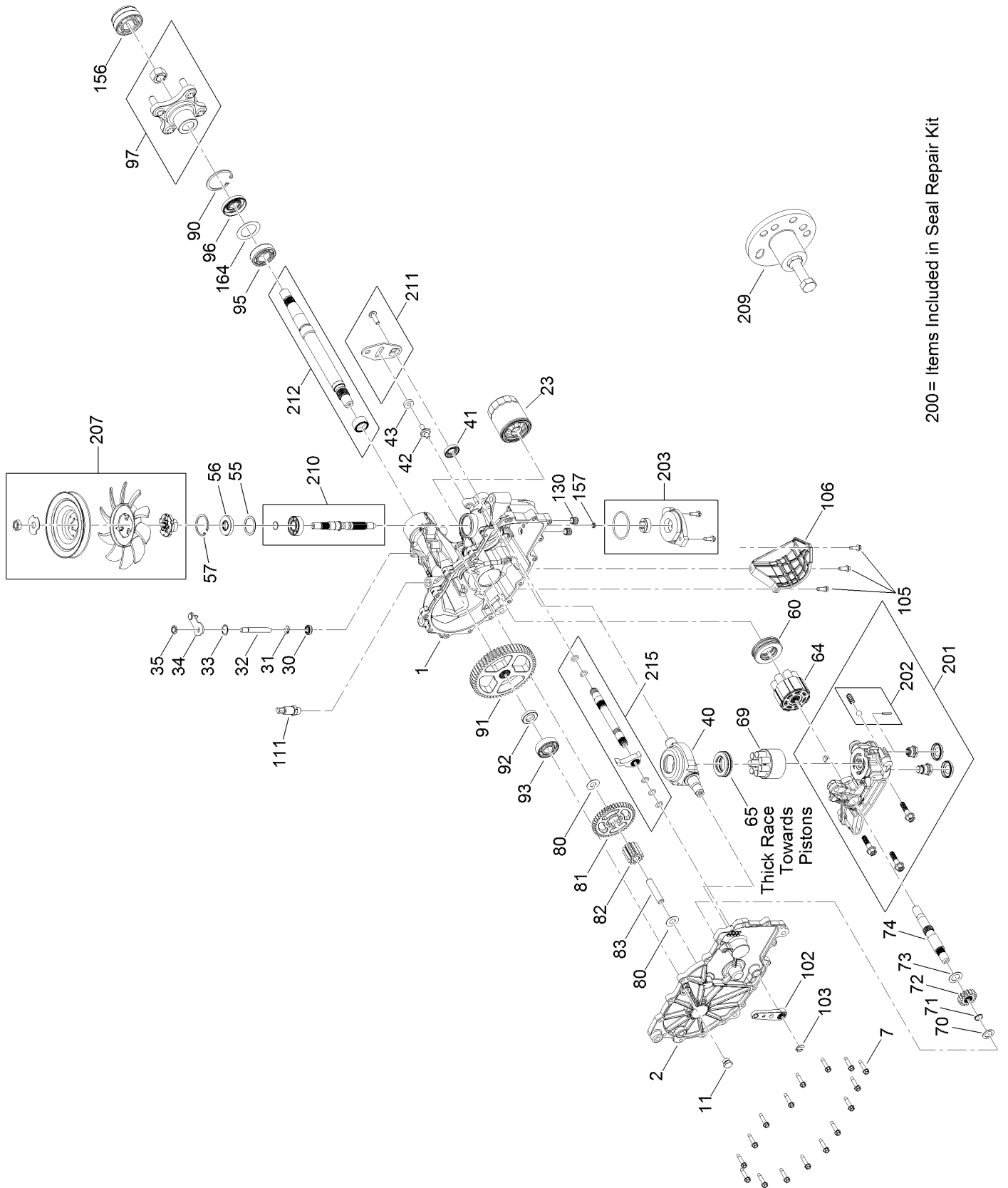


200 = Items Included in Seal Repair Kit

LH Transaxle Assembly No. 133-4420 (continued)

<i>Ref.</i>	<i>Part Number</i>	<i>Qty.</i>	<i>Description</i>	<i>Ref.</i>	<i>Part Number</i>	<i>Qty.</i>	<i>Description</i>
1	117-5357	1	RH Main Housing Kit	82	120-7974	1	Gear-11T
2	117-5358	1	RH Housing Side Kit	83	104-5329	1	Pin-Jackshaft
7	117-5359	16	Screw-HHF	90	104-2169	1	Ring-Retaining
11	135-1140	1	Plug-Straight	91	114-1694	1	Gear-54T
23	109-3321	1	Element-Oil Filter, HYD	92	120-7975	1	Spacer
30	106-8676	1	Seal-Lip	93	137-2004	1	Bearing Kit
31	106-8677	1	Ring-Retaining, External	95	109-8110	1	Input Bearing Kit
32	114-1685	1	Rod-Bypass	96	130-8478	1	Seal-Lip
33	106-8679	1	Ring-Retaining, Internal	97	109-5939	1	Hub Kit
34	112-9852	1	Arm-Bypass	102	125-0021	1	Handle-Brake
35	106-8681	1	Ring-Retaining, External	103	131-0906	1	Ring-Retaining, EXT
40	104-5304	1	Swashplate-Trunnion	105	104-2120	3	Screw
41	104-5313	1	Seal-Lip	106	120-7981	1	Guard-Filter, RH
42	104-2116	1	Stud	111	109-3278	1	Adapter-Straight
43	112-9853	1	Puck-Friction	130	126-3251	2	Tube-Charge
55	104-5308	1	Spacer	156	115-5057	1	Cover-Nut, Axle
56	104-5310	1	Seal-Lip	157	130-8486	1	Seal-Gerotor
57	104-5309	1	Ring-Retaining	164	121-5745	1	Spacer
60	112-4154	1	Bearing-Thrust	200	109-3537	1	Seal Kit
64	114-1689	1	Motor Cylinder Block Kit	201	137-2005	1	RH Charge Center Section Kit
65	94-6922	1	Bearing-Thrust				
69	110-8561	1	Pump Block ASM	202	114-8464	1	Charge Relief Kit
70	104-5339	1	Washer-Flat	203	114-8465	1	Charge Kit
71	104-5340	1	Ring-Retaining	207	137-2006	1	Fan Pulley Kit
72	131-0905	1	Gear-14T	209	114-8467	1	Puller-Hub, 4 Bolt
73	114-1691	1	Shaft-Motor	210	117-5361	1	Input Shaft Kit
74	104-5360	1	Washer	211	117-5362	1	Control Arm Kit
80	119-5541	2	Washer	212	114-8470	1	Axle Shaft Kit
81	114-1692	1	Gear-45T	215	137-2007	1	Brake Shaft Kit

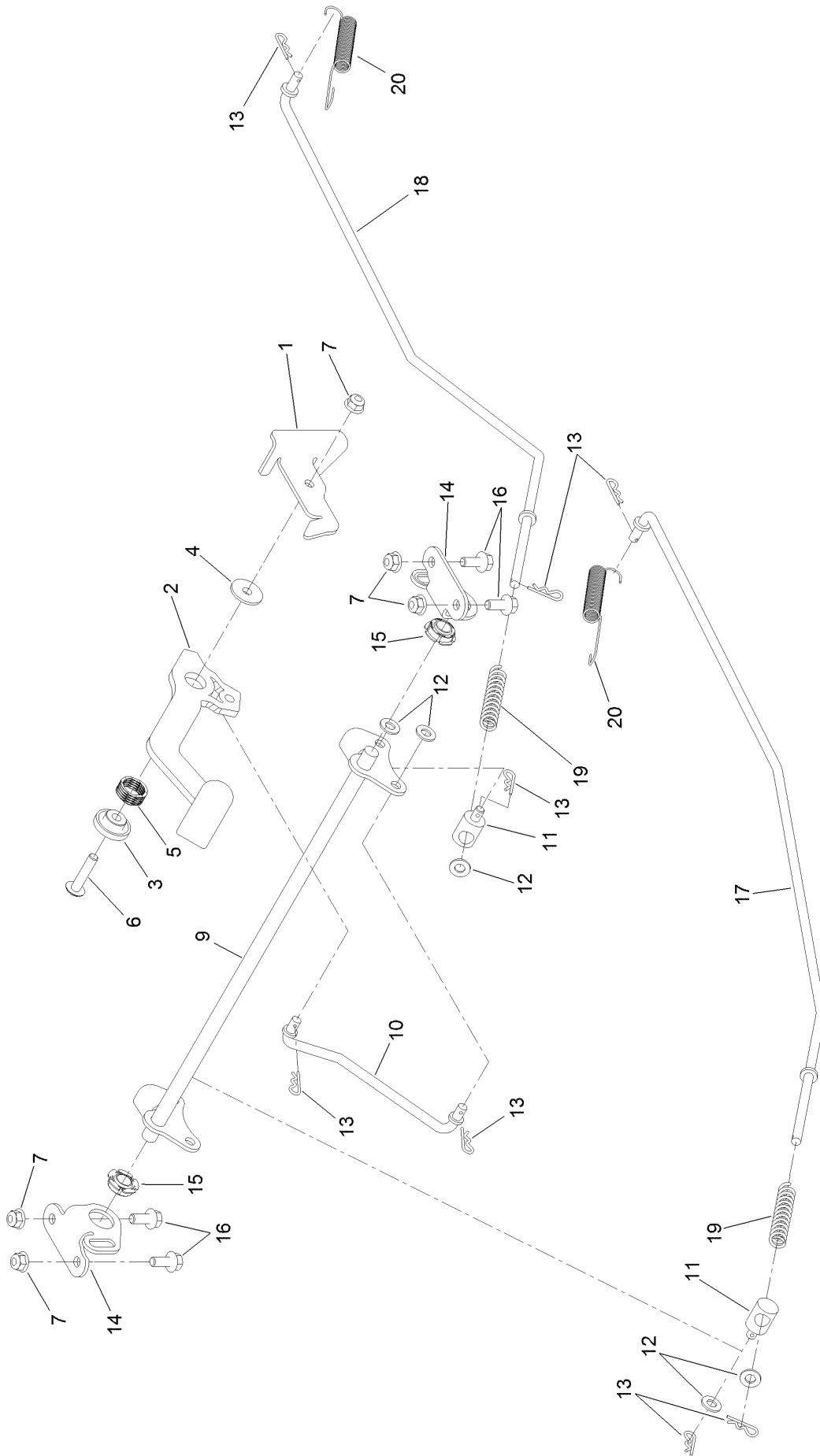
RH Transaxle Assembly No. 133-4421



RH Transaxle Assembly No. 133-4421 (continued)

<i>Ref.</i>	<i>Part Number</i>	<i>Qty.</i>	<i>Description</i>	<i>Ref.</i>	<i>Part Number</i>	<i>Qty.</i>	<i>Description</i>
1	114-8471	1	LH Main Housing Kit	82	120-7974	1	Gear-11T
2	114-8472	1	LH Side Cover Kit	83	104-5329	1	Pin-Jackshaft
7	117-5359	16	Screw-HHF	90	104-2169	1	Ring-Retaining
11	135-1140	1	Plug-Straight	91	114-1694	1	Gear-54T
23	109-3321	1	Element-Oil Filter, HYD	92	120-7975	1	Spacer
30	106-8676	1	Seal-Lip	93	137-2004	1	Bearing Kit
31	106-8677	1	Ring-Retaining, External	95	109-8110	1	Input Bearing Kit
32	114-1685	1	Rod-Bypass	96	130-8478	1	Seal-Lip
33	106-8679	1	Ring-Retaining, Internal	97	109-5939	1	Hub Kit
34	107-2490	1	Arm-Bypass	102	125-0021	1	Handle-Brake
35	106-8681	1	Ring-Retaining, External	103	131-0906	1	Ring-Retaining, EXT
40	104-5304	1	Swashplate-Trunnion	105	104-2120	3	Screw
41	104-5313	1	Seal-Lip	106	120-7979	1	Guard-Filter, LH
42	104-2116	1	Stud	111	109-3278	1	Adapter-Straight
43	112-9853	1	Puck-Friction	130	126-3251	2	Tube-Charge
55	104-5308	1	Spacer	156	115-5057	1	Cover-Nut, Axle
56	104-5310	1	Seal-Lip	157	130-8486	1	Seal-Gerotor
57	104-5309	1	Ring-Retaining	164	121-5745	1	Spacer
60	112-4154	1	Bearing-Thrust	200	109-3537	1	Seal Kit
64	114-1689	1	Motor Cylinder Block Kit	201	137-2012	1	LH Charge Center Section Kit
65	94-6922	1	Bearing-Thrust				
69	110-8561	1	Pump Block ASM	202	114-8464	1	Charge Relief Kit
70	104-5339	1	Washer-Flat	203	114-8465	1	Charge Kit
71	104-5340	1	Ring-Retaining	207	137-2006	1	Fan Pulley Kit
72	131-0905	1	Gear-14T	209	114-8467	1	Puller-Hub, 4 Bolt
73	114-1691	1	Shaft-Motor	210	117-5361	1	Input Shaft Kit
74	104-5360	1	Washer	211	117-5362	1	Control Arm Kit
80	119-5541	2	Washer	212	114-8470	1	Axle Shaft Kit
81	114-1692	1	Gear-45T	215	137-2013	1	Brake Shaft Kit

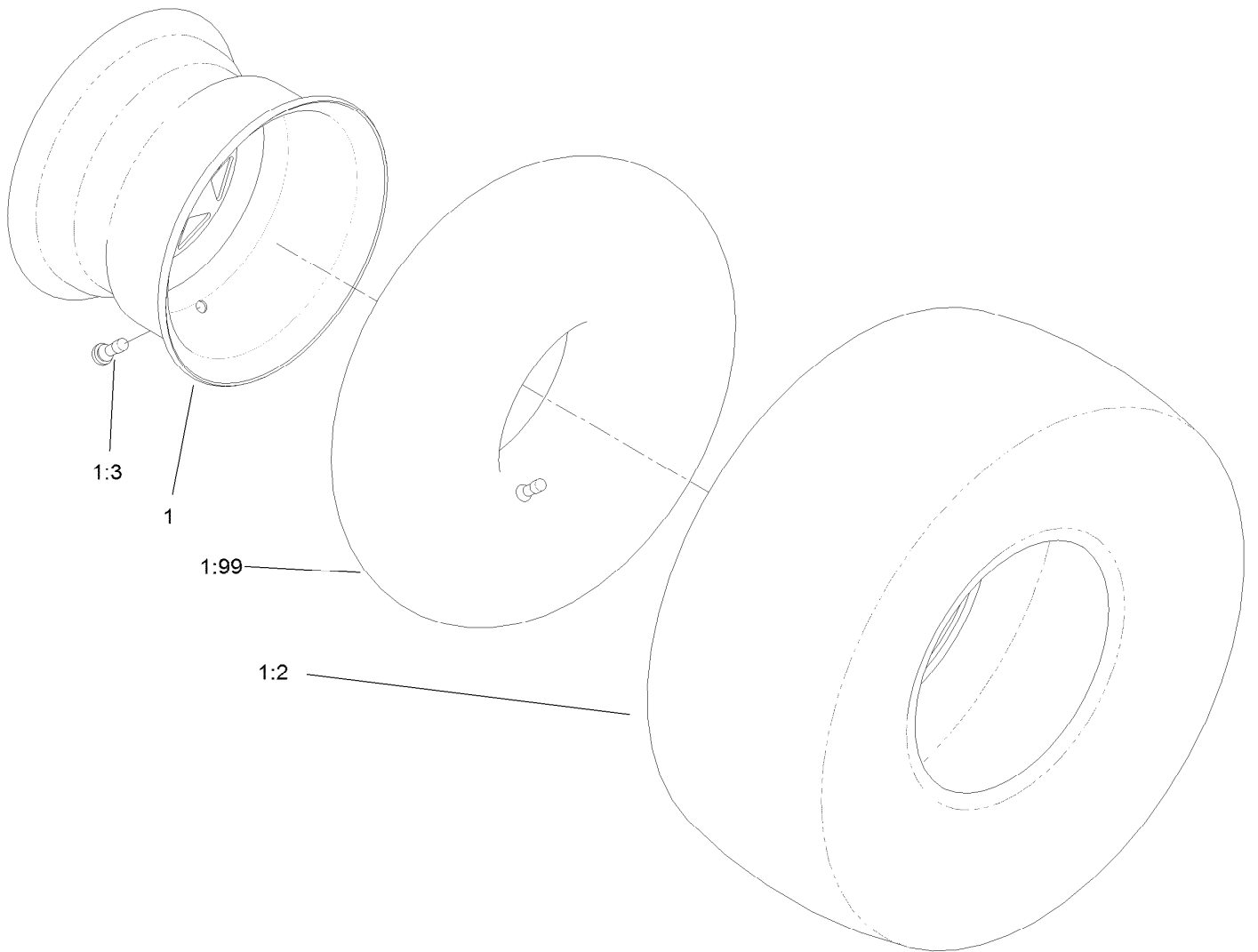
Parking Brake Assembly



Parking Brake Assembly (continued)

<i>Ref.</i>	<i>Part Number</i>	<i>Qty.</i>	<i>Description</i>	<i>Ref.</i>	<i>Part Number</i>	<i>Qty.</i>	<i>Description</i>
1	136-5554	1	Detent-Brake	12	3256-23	5	Washer-Plain
2	136-7476	1	Lever-Brake	13	3290-307	8	Pin-Cotter
3	136-5648	1	Bushing-Flange	14	133-9341-03	2	Plate-Support, Bellcrank
4	136-5647	1	Bushing-Brake, Flanged	15	136-7469	2	Bearing-Spherical
5	126-8220	1	Spring-Wave	16	3234-47	4	Screw-HHF
6	126-7439	1	Screw-Torx	17	133-9343	1	Rod-Brake, RH
7	104-8300	5	Nut-HF, NI	18	133-9344	1	Rod-Brake, LH
9	133-9338	1	Bellcrank-Brake	19	1-603807	2	Spring-Return, Neutral
10	133-9342	1	Rod-Brake, Intermediate	20	110769	2	Spring-Extension
11	115-9681	2	Fitting-Rod				

Rear Tire and Wheel Assembly

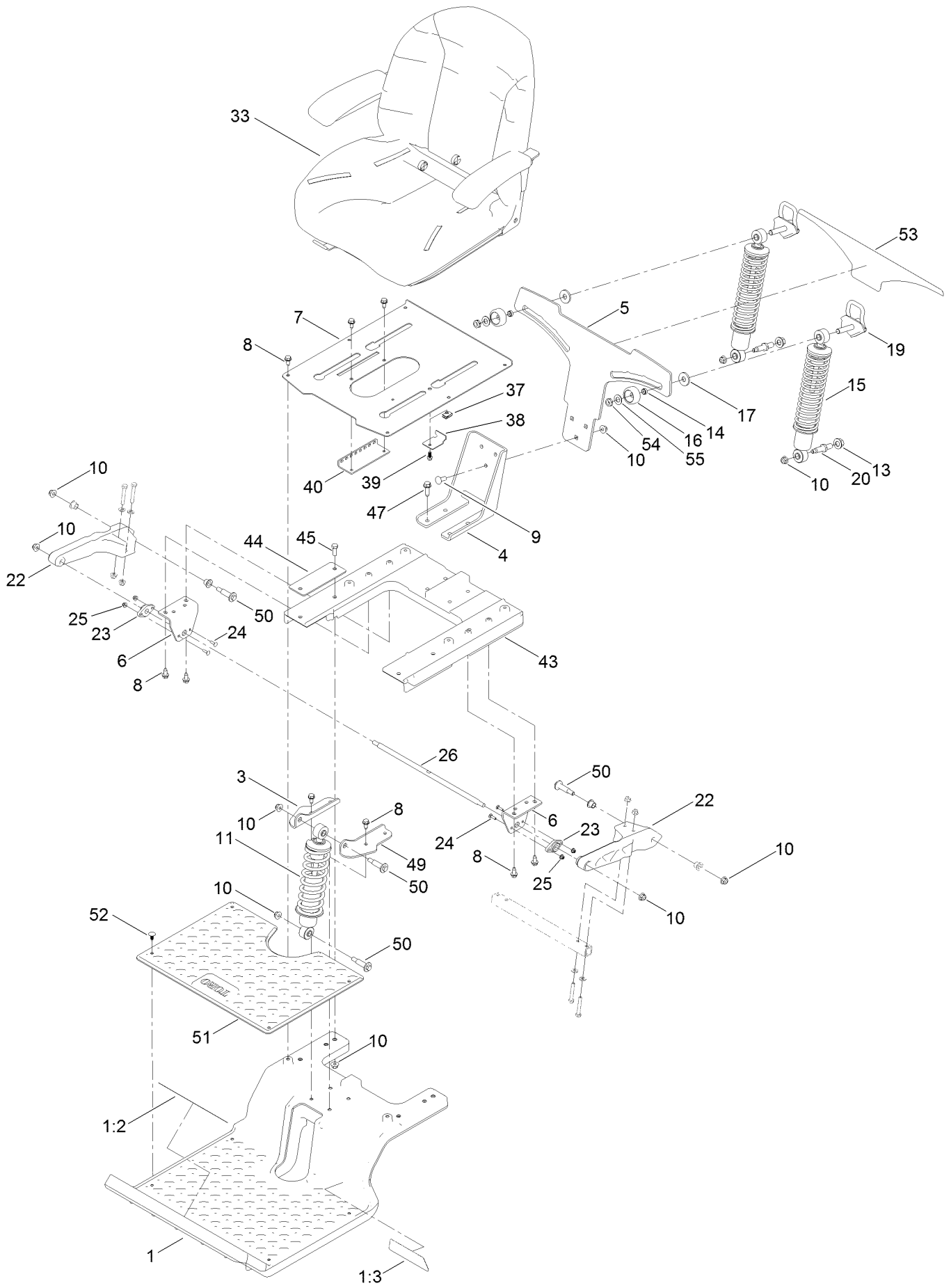


Rear Tire and Wheel Assembly (continued)

<i>Ref.</i>	<i>Part Number</i>	<i>Qty.</i>	<i>Description</i>	<i>Ref.</i>	<i>Part Number</i>	<i>Qty.</i>	<i>Description</i>
1	127-3449	2	Tire And Wheel ASM	1:3	232-27	1	Stem-Valve
1:2	125-1821	1	Tire	1:99	105-4070	1	Tube-Inner ●

● Optional Equipment

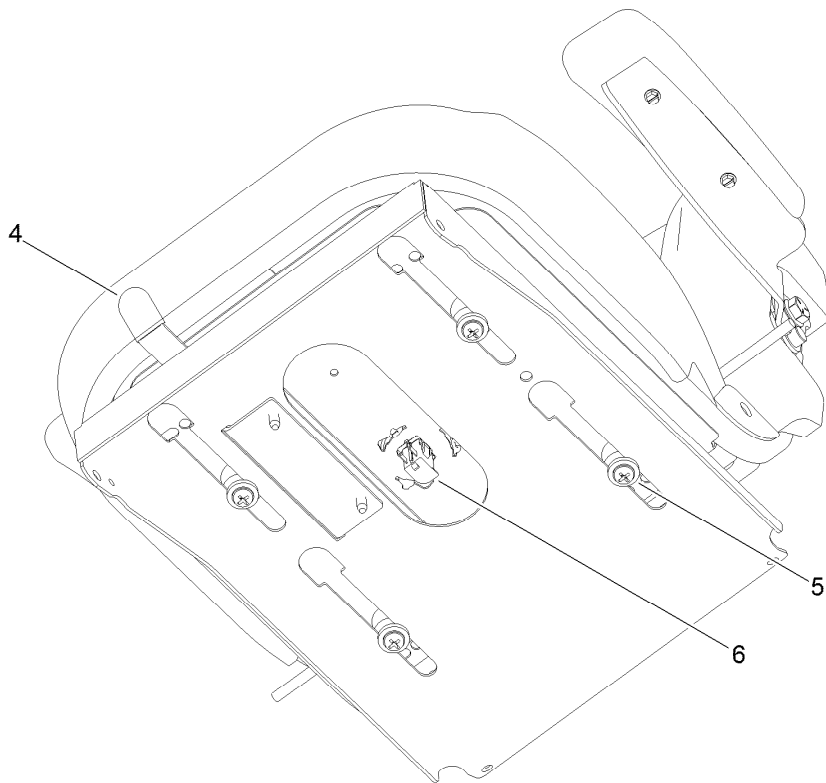
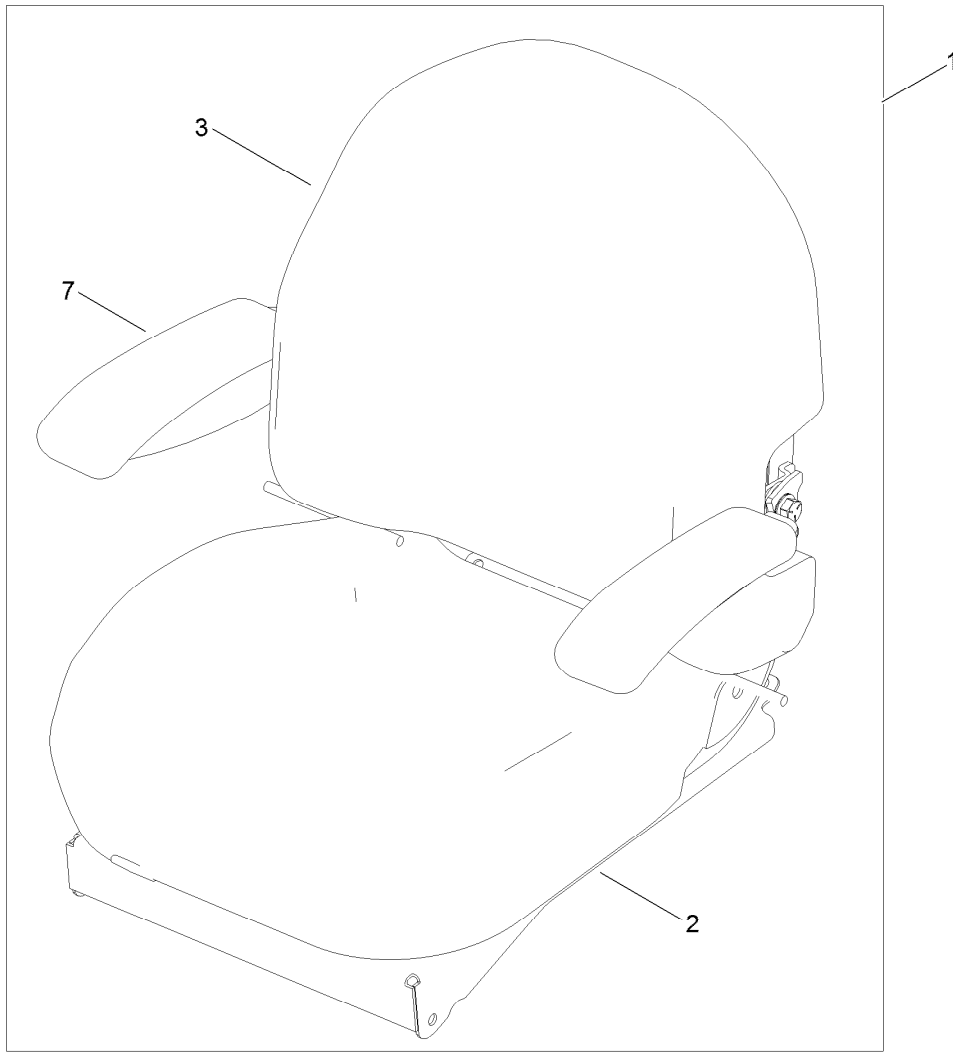
Seat Pan Assembly



Seat Pan Assembly (continued)

<i>Ref.</i>	<i>Part Number</i>	<i>Qty.</i>	<i>Description</i>	<i>Ref.</i>	<i>Part Number</i>	<i>Qty.</i>	<i>Description</i>
1	136-9191	1	Subframe-Front	23	127-0146	2	Bearing-Flange
1:2	132-0869	1	Decal-Danger	24	3229-20	4	Screw-CARR
1:3	136-7470	1	Decal	25	120-4578	4	Nut-HF
3	133-9319-03	1	Bracket-Shock Mount, Upper (RH)	26	137-1968	1	Rod-Pivot
4	133-4442-03	1	Bracket-Mount, Lower	33	139-2367	1	Seat ASM
5	133-4462-03	1	Bracket-Mounting, Shock	37	107069	1	Clip
6	137-1967-03	2	Bracket-Mount, Swing Arm	38	131-1038	1	Bracket-Stop, Seat
7	133-7029-03	1	Pan-Seat	39	99-6810	1	Screw-HHF
8	32144-70	16	Screw-HWHTF	40	131-4008-03	1	Bracket-Latch, Seat
9	3231-22	3	Screw-CARR	43	137-7031	1	Subframe-Rear
10	104-8301	15	Nut-HF, NI	44	133-7089-03	2	Plate-Backer
11	131-4651	1	Shock ASM	45	323-6	4	Screw-HH
13	99-5107	2	Nut-Lock	47	32144-109	4	Screw-Thd
14	133-5109	2	Bearing-Sleeve	49	133-9318-03	1	Bracket-Shock Mount, Upper (LH)
15	133-5154	2	Shock/Spring ASM	50	136-7198	4	Bolt-Shoulder
16	136-5636	2	Knob-Lock, Cam	51	133-5190	1	Floormat
17	131-4699	2	Washer-Plastic	52	117-2382	4	Plug-Plastic
19	133-5105	2	Cam Lock ASM	53	133-5198	1	Decal-Adjustment, Ride
20	133-4401	2	Bolt-Shoulder	54	3296-45	2	Nut-Hex
22	136-8979	2	Trailing Arm	55	3-6803	2	Washer-Adjusting

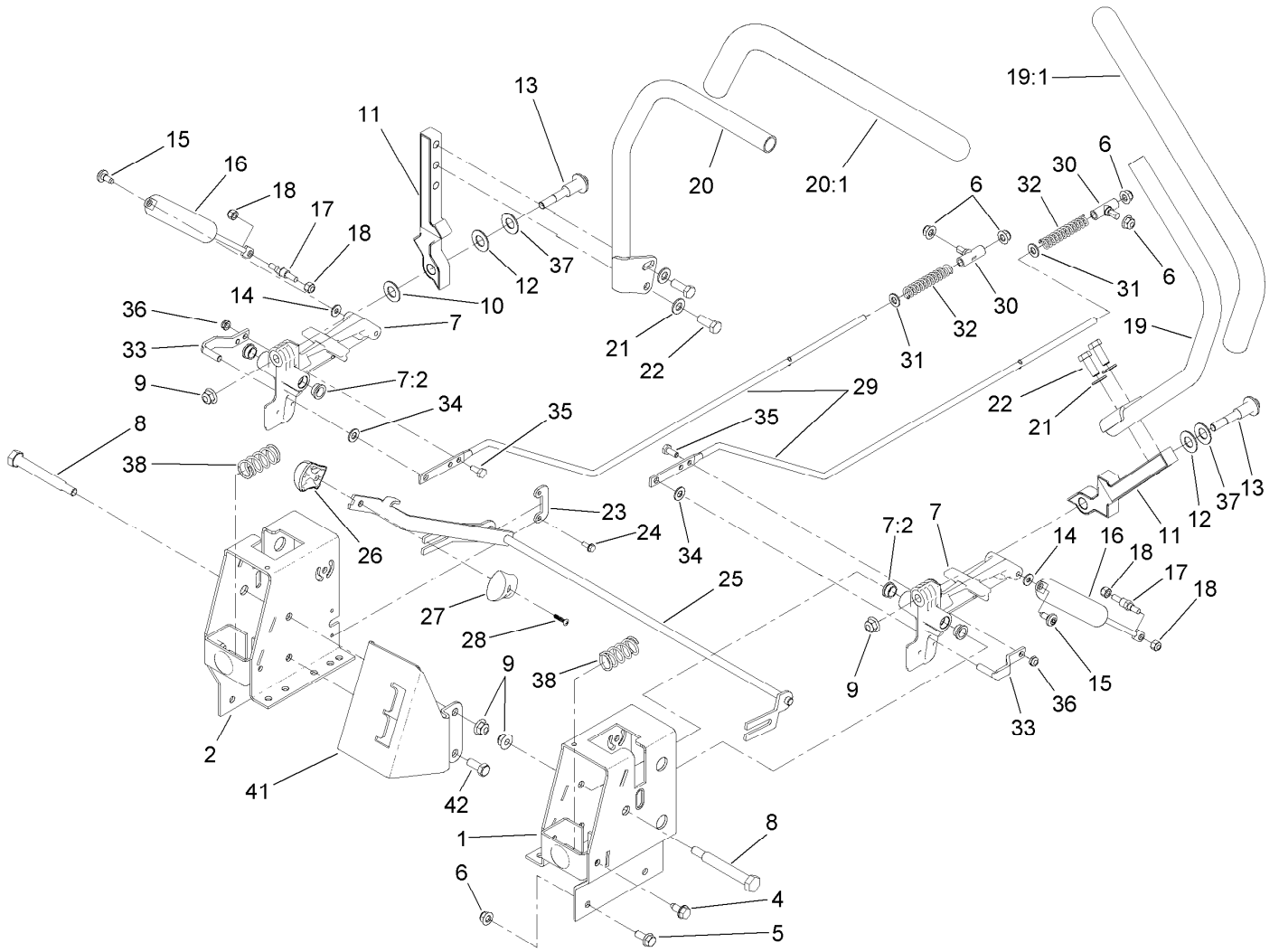
Seat Assembly No. 139-2367



Seat Assembly No. 139-2367 (continued)

<i>Ref.</i>	<i>Part Number</i>	<i>Qty.</i>	<i>Description</i>	<i>Ref.</i>	<i>Part Number</i>	<i>Qty.</i>	<i>Description</i>
1	139-2374	1	Seat ASM	5	131-4154	1	Bushing ASM
2	139-2649	1	Cover-Base	6	82-2190	1	Switch-Bail
3	139-3297	1	Cover-Back	7	126-2058	1	Armrest Kit
4	131-4153	1	Track ASM				

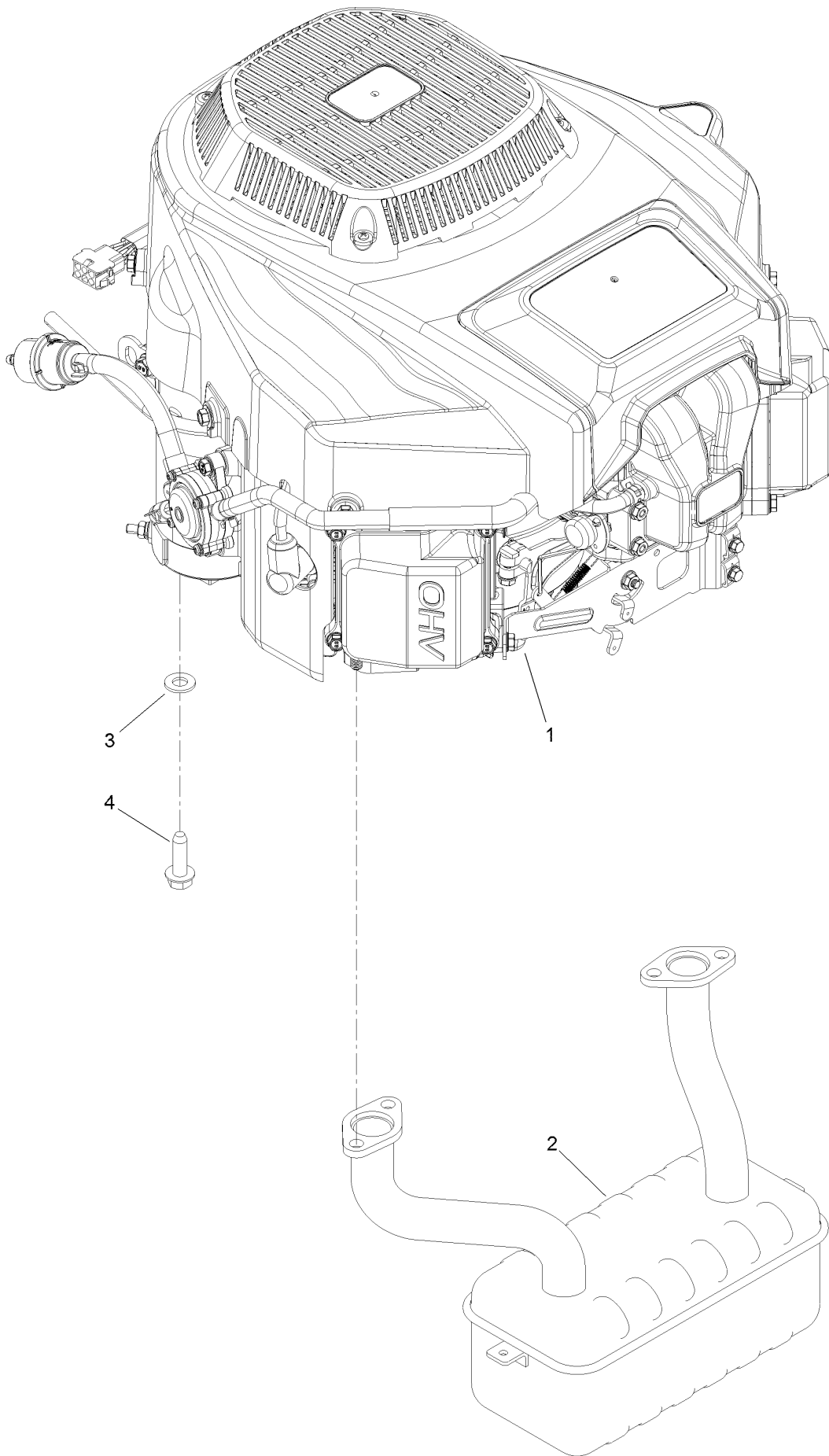
Motion Control Assembly



Motion Control Assembly (continued)

<i>Ref.</i>	<i>Part Number</i>	<i>Qty.</i>	<i>Description</i>	<i>Ref.</i>	<i>Part Number</i>	<i>Qty.</i>	<i>Description</i>
1	136-5614-03	1	Box-Control, LH	20:1	121-0726	1	Grip
2	136-5613-03	1	Box-Control, RH	21	3256-24	4	Washer-Flat
4	32144-70	2	Screw-HWHTF	22	323-6	4	Screw-HH
5	3234-47	8	Screw-HHF	23	117-5385	2	Retainer
6	104-8300	12	Nut-HF, NI	24	32144-1	4	Screw-Taptite
7	119-3470	2	Actuator Arm ASM	25	133-5165	1	Control-Speed
7:2	256-156	2	Bushing-Flange	26	132-9368	1	Knob-RH
8	115-5099	2	Bolt-Pivot	27	132-9369	1	Knob-LH
9	104-8301	5	Nut-HF, NI	28	94-4496	1	Screw-PPH
10	120-2273	2	Washer-Nylon	29	117-5388	2	Rod-Hydro
11	136-5570-05	2	Arm-Control	30	119-8842	2	Mount-Rod, Hydro
12	117-1240	2	Washer	31	3256-23	2	Washer-Plain
13	117-1198	2	Bolt-Pivot	32	1-603807	2	Spring-Return, Neutral
14	119-8952	2	Washer	33	121-1753	2	Pin-Rod, Hydro
15	120-7950	2	Screw-Torx	34	93-6079	2	Spacer-Nylon
16	131-0964	2	Damper	35	321-3	2	Screw-HH
17	110-6810	2	Stud-Damper	36	3296-56	2	Nut-Lock, NI
18	3296-42	4	Nut-Lock, NI	37	119-8925	2	Washer-Belleville
19	133-7055	1	Handle-Control, LH	38	119-8876	2	Spring-Return
19:1	121-0726	1	Grip	41	136-2751-03	1	Gate-Control, Speed
20	133-7057	1	Handle-Control, RH	42	323-5	1	Screw-HH

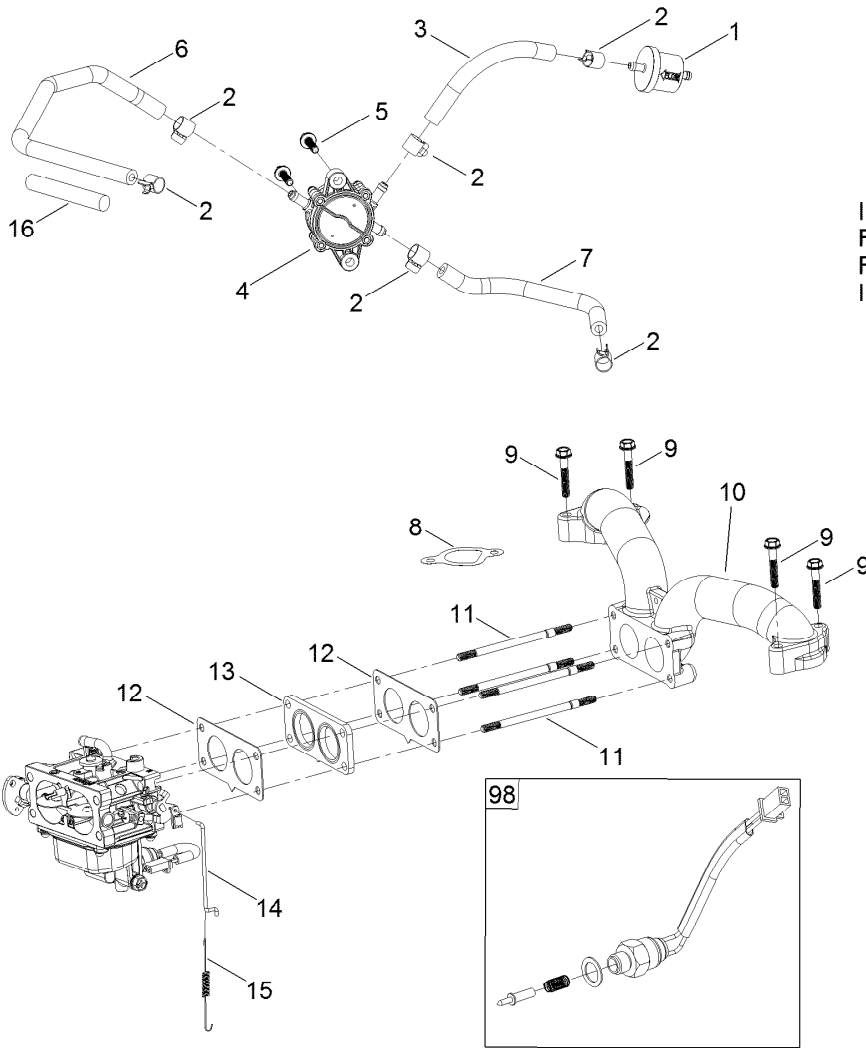
Engine and Muffler Assembly



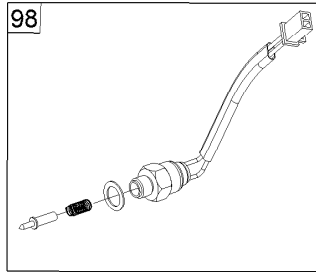
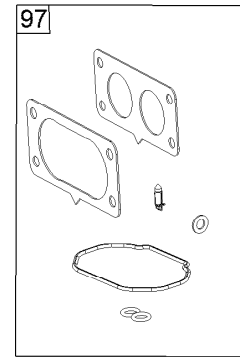
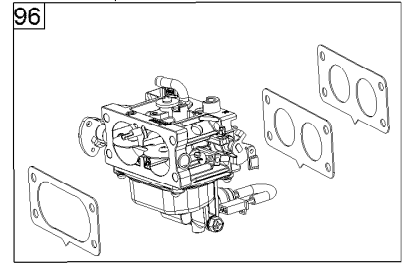
Engine and Muffler Assembly (continued)

<i>Ref.</i>	<i>Part Number</i>	<i>Qty.</i>	<i>Description</i>	<i>Ref.</i>	<i>Part Number</i>	<i>Qty.</i>	<i>Description</i>
1	136-7813	1	Engine-2P77F	3	3256-24	4	Washer-Flat
2	130-6851	1	Muffler	4	32144-109	4	Screw-Thd

Fuel System Assembly



IF EQUIPPED WITH CANISTER TYPE AIR FILTER REFER TO KIT MODEL 136-7860 FOR CARBURETOR ASSEMBLY AND INTERNAL CARBURETOR PARTS

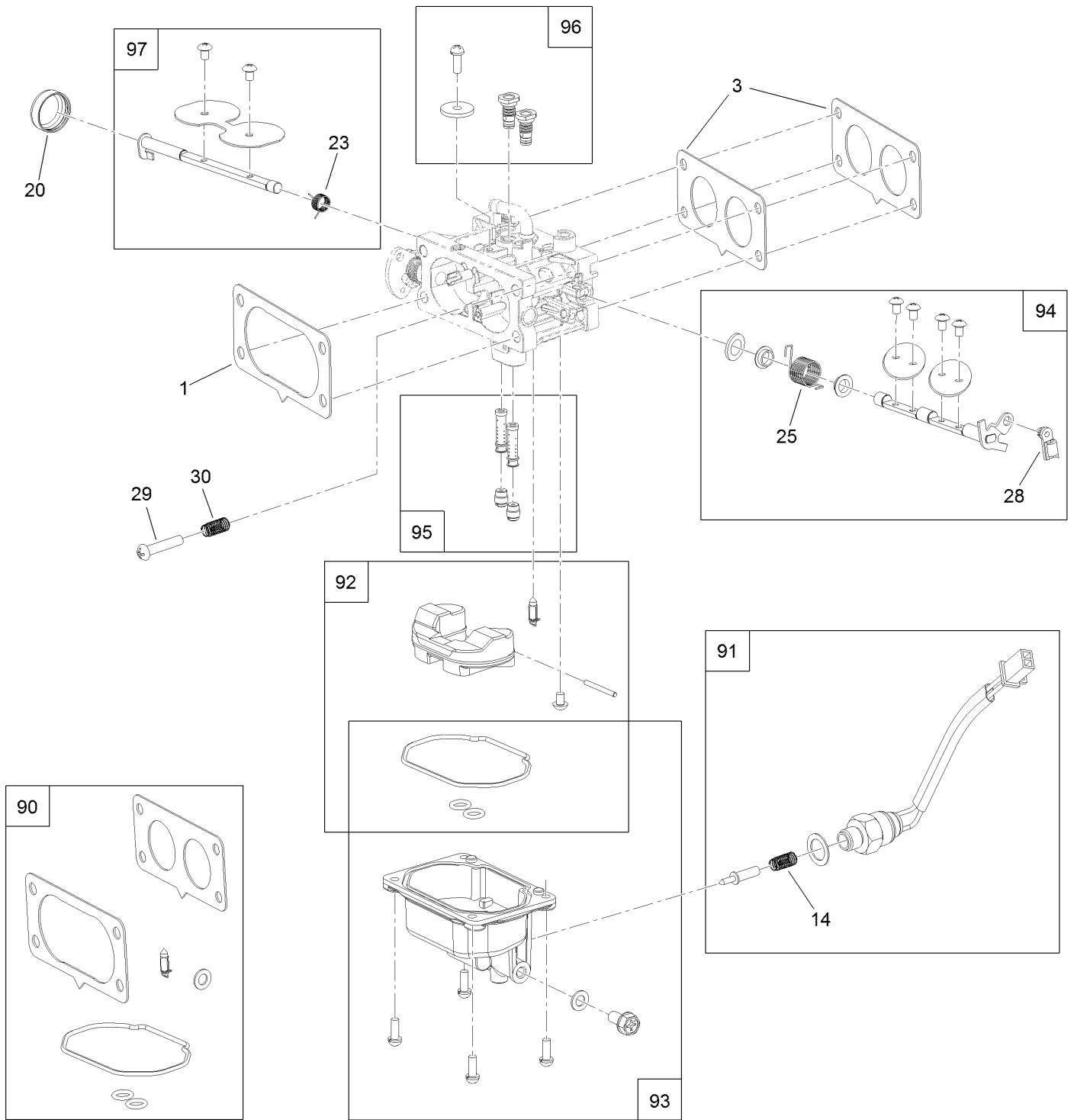


Fuel System Assembly (continued)

<i>Ref.</i>	<i>Part Number</i>	<i>Qty.</i>	<i>Description</i>	<i>Ref.</i>	<i>Part Number</i>	<i>Qty.</i>	<i>Description</i>
1	133-1563	1	Filter-Fuel	11	127-9245	4	Stud
2	120-4251	6	Clamp-Fuel Line	12	127-9246	2	Gasket-Carburetor
3	120-4371	1	Line-Fuel	13	127-9247	1	Insulator-Carburetor
4	127-9206	1	Pump-Fuel	14	133-9963	1	Linkage-Throttle
5	120-4225	2	Screw-HHF	15	133-9964	1	Spring-Return, Throttle
6	127-9205	1	Hose-Fuel	16	127-9355	1	Sleeve-Fuel Line Protector
7	127-9207	1	Hose-Fuel	96	133-9966	1	Carburetor Replacement Kit
8	127-9230	2	Gasket-Intake	97	127-9290	1	Carburetor Repair Kit
9	120-4284	4	Screw-HHF	98	127-9292	1	Solenoid Kit
10	127-9244	1	Manifold-Intake	99	133-9968	1	High Altitude Kit ●

● Not illustrated

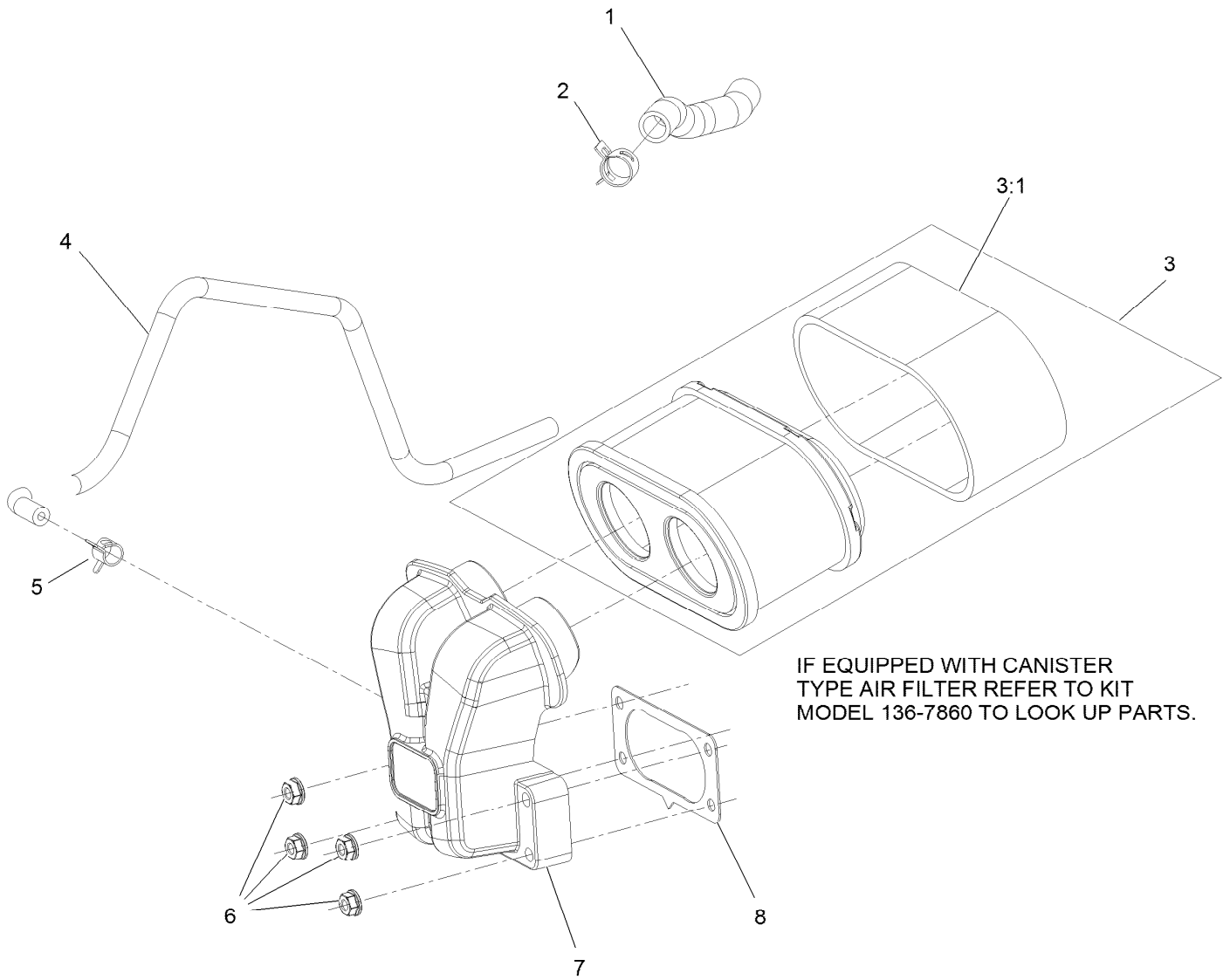
Carburetor Assembly



Carburetor Assembly (continued)

<i>Ref.</i>	<i>Part Number</i>	<i>Qty.</i>	<i>Description</i>	<i>Ref.</i>	<i>Part Number</i>	<i>Qty.</i>	<i>Description</i>
1	127-9251	1	Gasket-Carburetor	90	127-9290	1	Carburetor Repair Kit
3	127-9246	2	Gasket-Carburetor	91	127-9292	1	Solenoid Kit
14	127-9319	1	Spring	92	127-9340	1	Float Kit
20	127-9325	1	Cover-Shaft, Choke	93	127-9341	1	Bowl Kit
23	127-9328	1	Spring	94	133-9960	1	Throttle Shaft Kit
25	133-9957	1	Spring	95	133-9959	1	Nozzle And Jet Kit
28	127-9333	1	Clamp-Lock	96	133-9958	1	Air Jet Kit
29	127-9334	1	Screw-PPH	97	127-9345	1	Choke Shaft Kit
30	127-9335	1	Spring				

Air Intake and Filtration Assembly

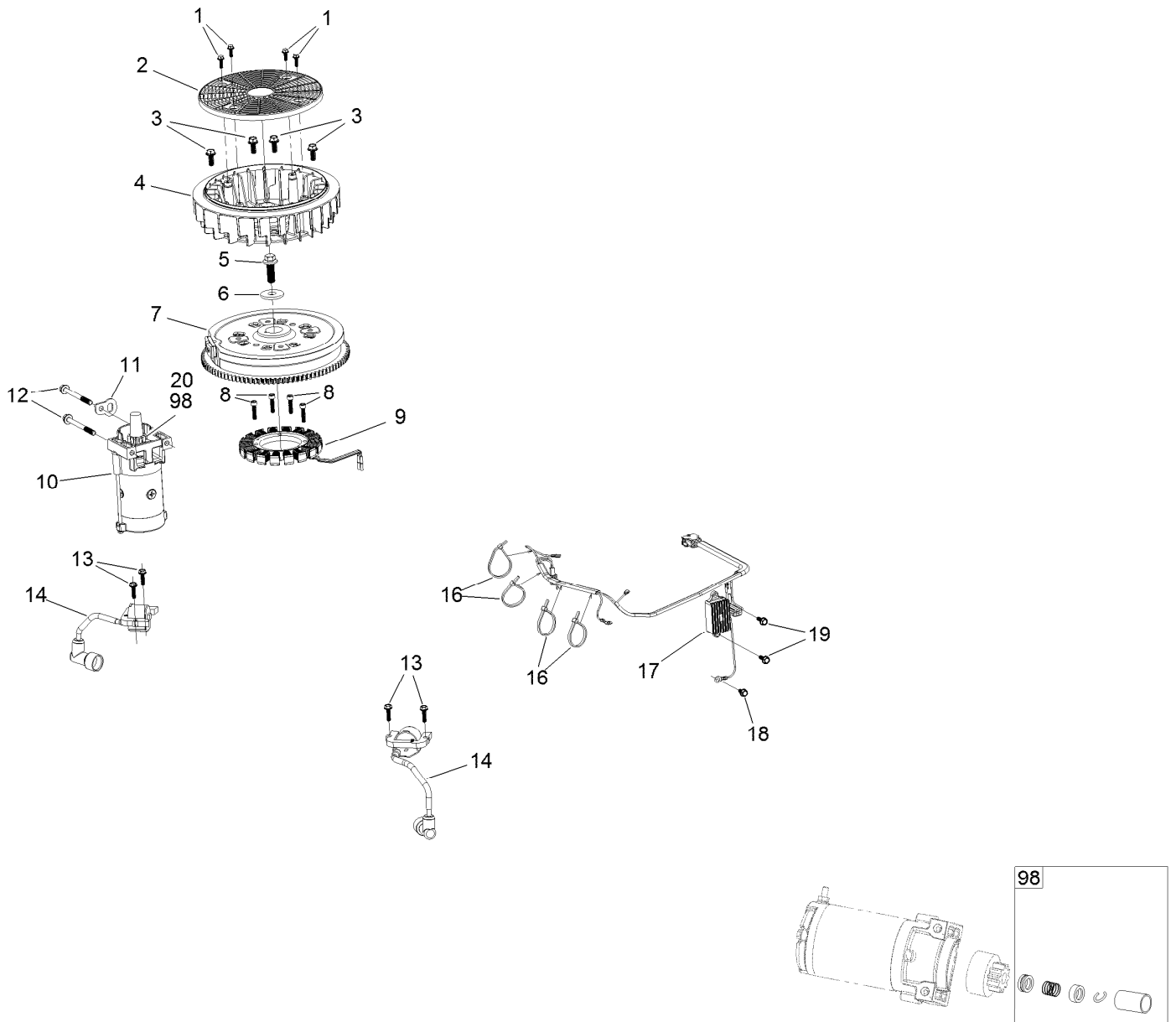


IF EQUIPPED WITH CANISTER
TYPE AIR FILTER REFER TO KIT
MODEL 136-7860 TO LOOK UP PARTS.

Air Intake and Filtration Assembly (continued)

<i>Ref.</i>	<i>Part Number</i>	<i>Qty.</i>	<i>Description</i>	<i>Ref.</i>	<i>Part Number</i>	<i>Qty.</i>	<i>Description</i>
1	127-9235	1	Tube-Breather	5	127-9187	1	Clamp-Hose
2	127-9234	2	Clamp-Hose	6	120-4236	4	Nut-Flange
3	136-7806	1	Air Filter Kit	7	127-9047	1	Manifold-Filter, Air
3:1	136-7804	1	Prefilter	8	127-9251	1	Gasket-Carburetor
4	127-9253	1	Hose-Fuel				

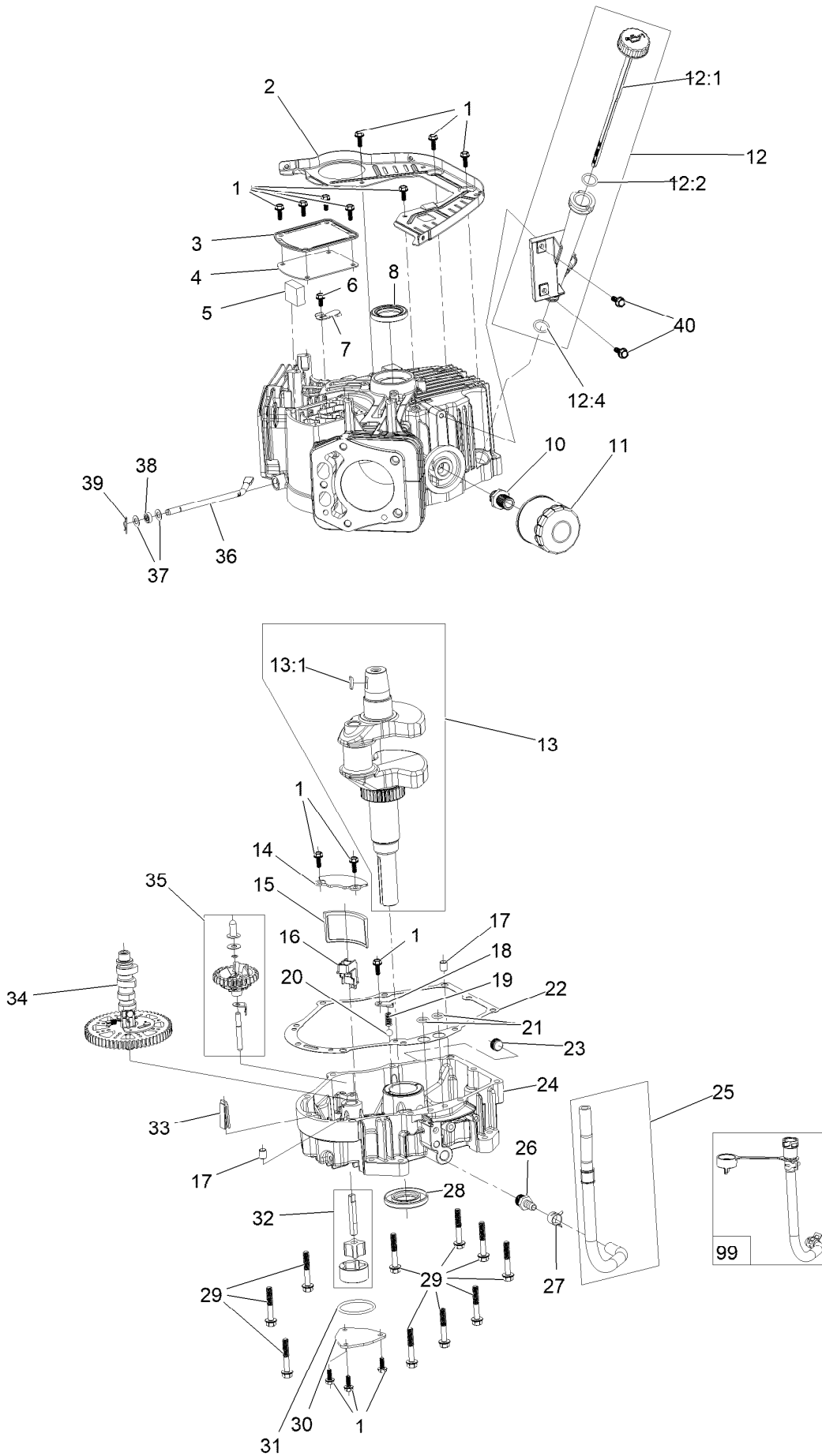
Ignition and Cooling Fan



Ignition and Cooling Fan (continued)

<i>Ref.</i>	<i>Part Number</i>	<i>Qty.</i>	<i>Description</i>	<i>Ref.</i>	<i>Part Number</i>	<i>Qty.</i>	<i>Description</i>
1	127-9197	4	Screw-HWH	12	120-4231	2	Screw-HHF
2	127-9198	1	Screen-Rotating	13	121-0007	4	Bolt-Flange
3	127-9199	4	Screw-HWH	14	136-7883	2	Ignition Coil ASM
4	127-9200	1	Fan-Cooling	16	127-9220	4	Tie-Zip
5	127-9201	1	Screw-HWH	17	136-7879	1	Regulator-Voltage, W/Harness
6	127-9202	1	Washer-Spring	18	120-4216	1	Screw-HHF
7	127-9306	1	Flywheel	19	120-4232	2	Screw-HHF
8	127-9210	4	Screw-HSH	20	133-1562	1	Pinion-Starter
9	136-7876	1	Alternator	98	133-1566	1	Starter Repair Kit
10	136-7880	1	Motor-Starter				
11	127-9208	1	Bracket-Lift				

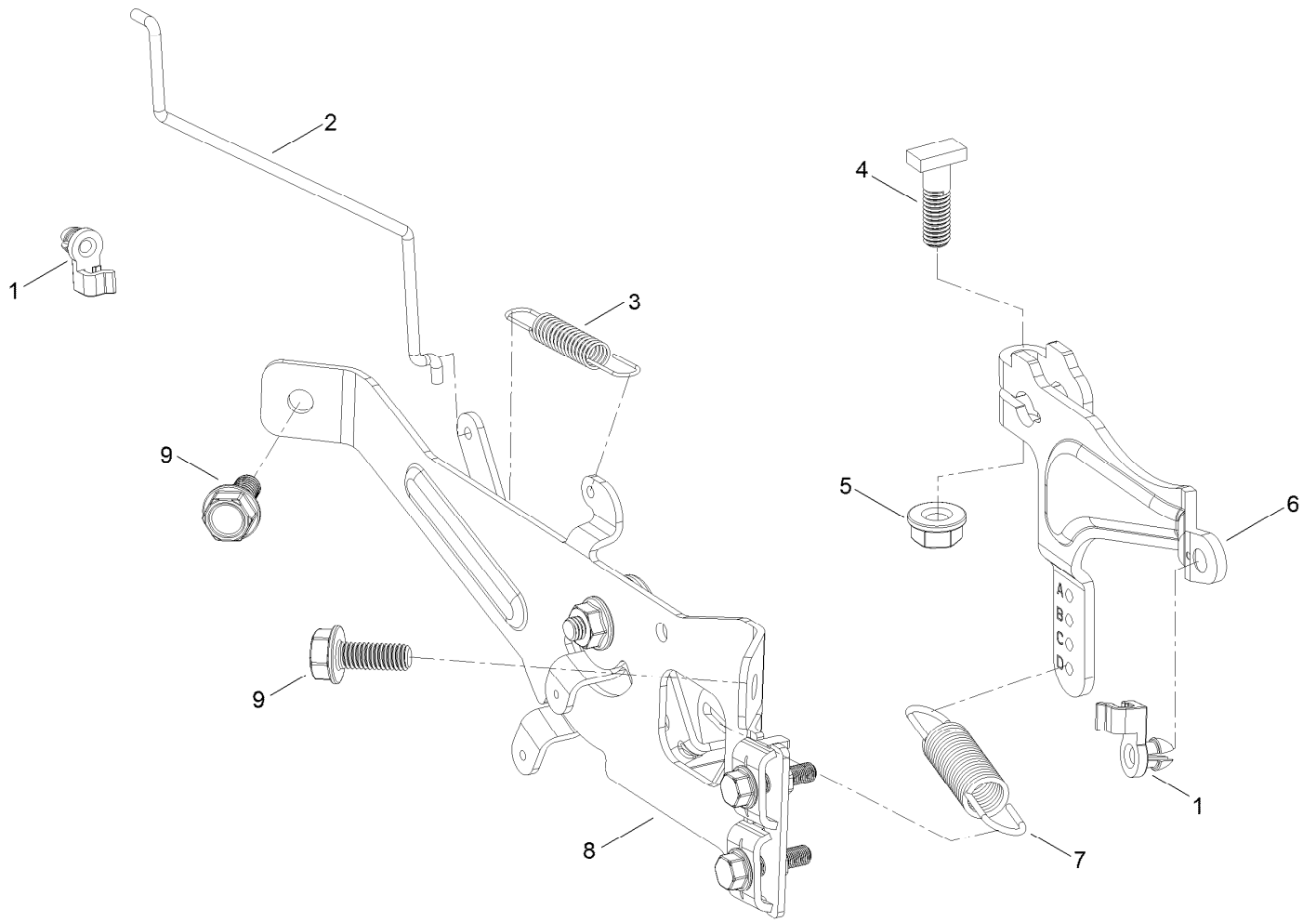
Crankcase and Crankshaft Assembly



Crankcase and Crankshaft Assembly (continued)

<i>Ref.</i>	<i>Part Number</i>	<i>Qty.</i>	<i>Description</i>	<i>Ref.</i>	<i>Part Number</i>	<i>Qty.</i>	<i>Description</i>
1	120-4232	14	Screw-HHF	20	127-9266	1	Valve-Ball
2	127-9212	1	Baffle	21	120-4262	2	O-Ring
3	127-9213	1	Cover-Breather	22	127-9267	1	Gasket-Cover, Crankcase
4	127-9214	1	Gasket-Breather	23	133-9805	1	Plug-Drain
5	127-9215	1	Filter-Breather	24	127-9268	1	Cover-Crankcase
6	120-4216	1	Screw-HHF	25	127-9293	1	Oil Drain Hose ASM
7	127-9217	1	Valve-Breather	26	127-9275	1	Fitting-Hose
8	120-4267	1	Seal-Oil	27	127-9276	1	Clamp-Hose
10	136-7884	1	Adaptor-Filter, Oil	28	127-9271	1	Seal
11	136-7848	1	Filter-Oil	29	121-0473	10	Screw-HHF
12	127-9218	1	Oil Tube ASM	30	127-9274	1	Cover-Oil Pump
12:1	127-9283	1	Dipstick	31	127-9273	1	O-Ring
12:2	127-9284	1	O-Ring	32	127-9272	1	Oil Pump ASM
12:4	127-9286	1	O-Ring	33	120-4275	1	Deflector-Oil, Rubber
13	127-9255	1	Crankshaft	34	133-1568	1	Camshaft
13:1	120-4320	1	Key-Woodruff	35	136-7882	1	Governor ASM
14	127-9261	1	Cover-Screen, Oil	36	127-9238	1	Shaft-Governor
15	127-9262	1	Screen-Oil	37	120-4258	2	Washer-Plain
16	127-9263	1	Retainer-Screen	38	120-4257	1	Seal-Oil
17	120-4274	2	Pin-Dowel	39	120-4256	1	Pin-Hair
18	127-9264	1	Plate-Retainer	40	120-4232	2	Screw-HHF
19	127-9265	1	Spring	99	144-0976	1	Oil Drain Service Kit

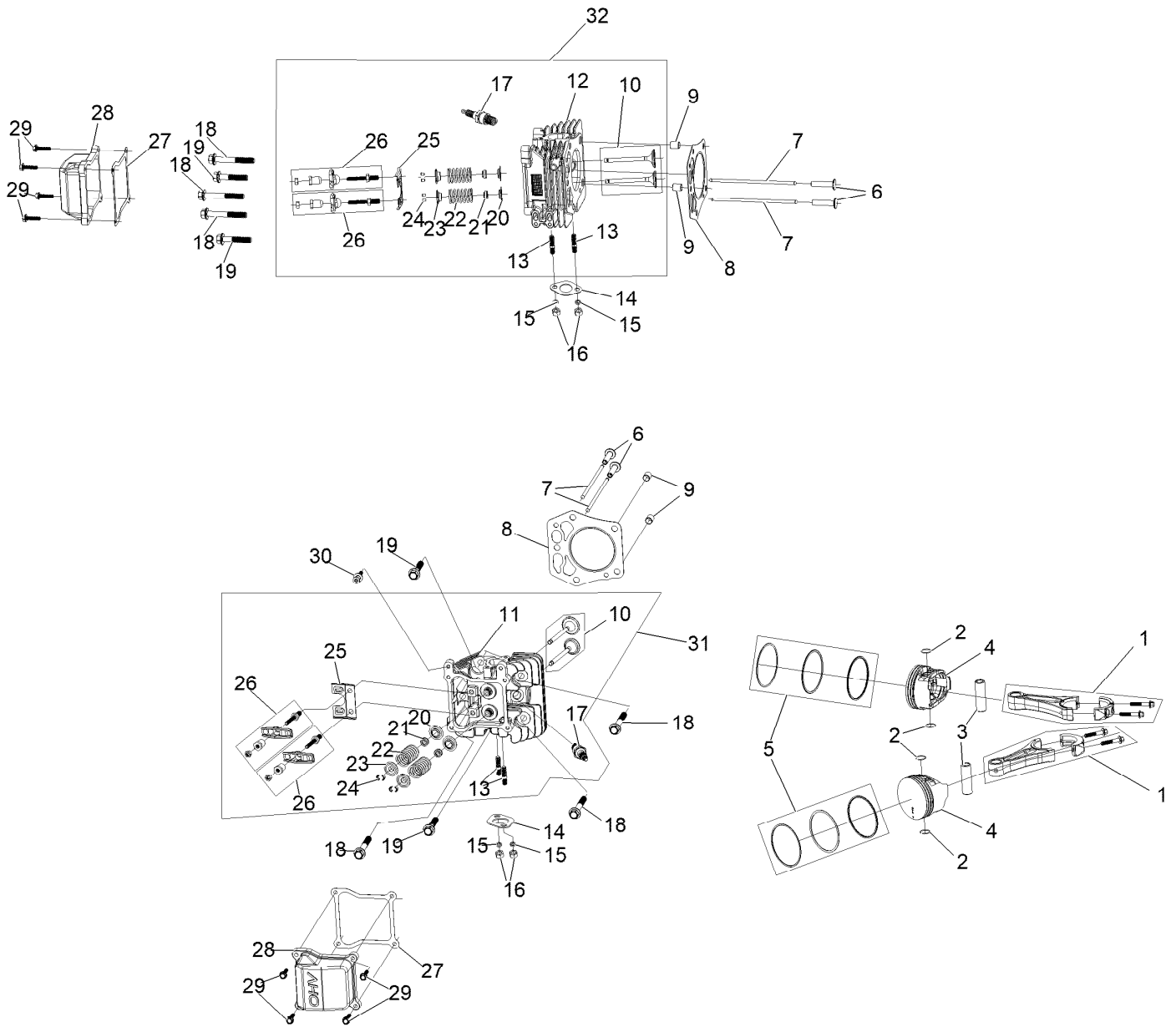
Governor Control Assembly



Governor Control Assembly (continued)

<i>Ref.</i>	<i>Part Number</i>	<i>Qty.</i>	<i>Description</i>	<i>Ref.</i>	<i>Part Number</i>	<i>Qty.</i>	<i>Description</i>
1	127-9250	2	Clip-Linkage	6	133-9961	1	Arm-Governor
2	127-9242	1	Linkage-Choke	7	133-9962	1	Spring-Governor
3	127-9241	1	Spring-Governor	8	133-1570	1	Control Plate ASM
4	120-4238	1	Bolt-Arm, Governor	9	120-4232	2	Screw-HHF
5	120-4236	1	Nut-Flange				

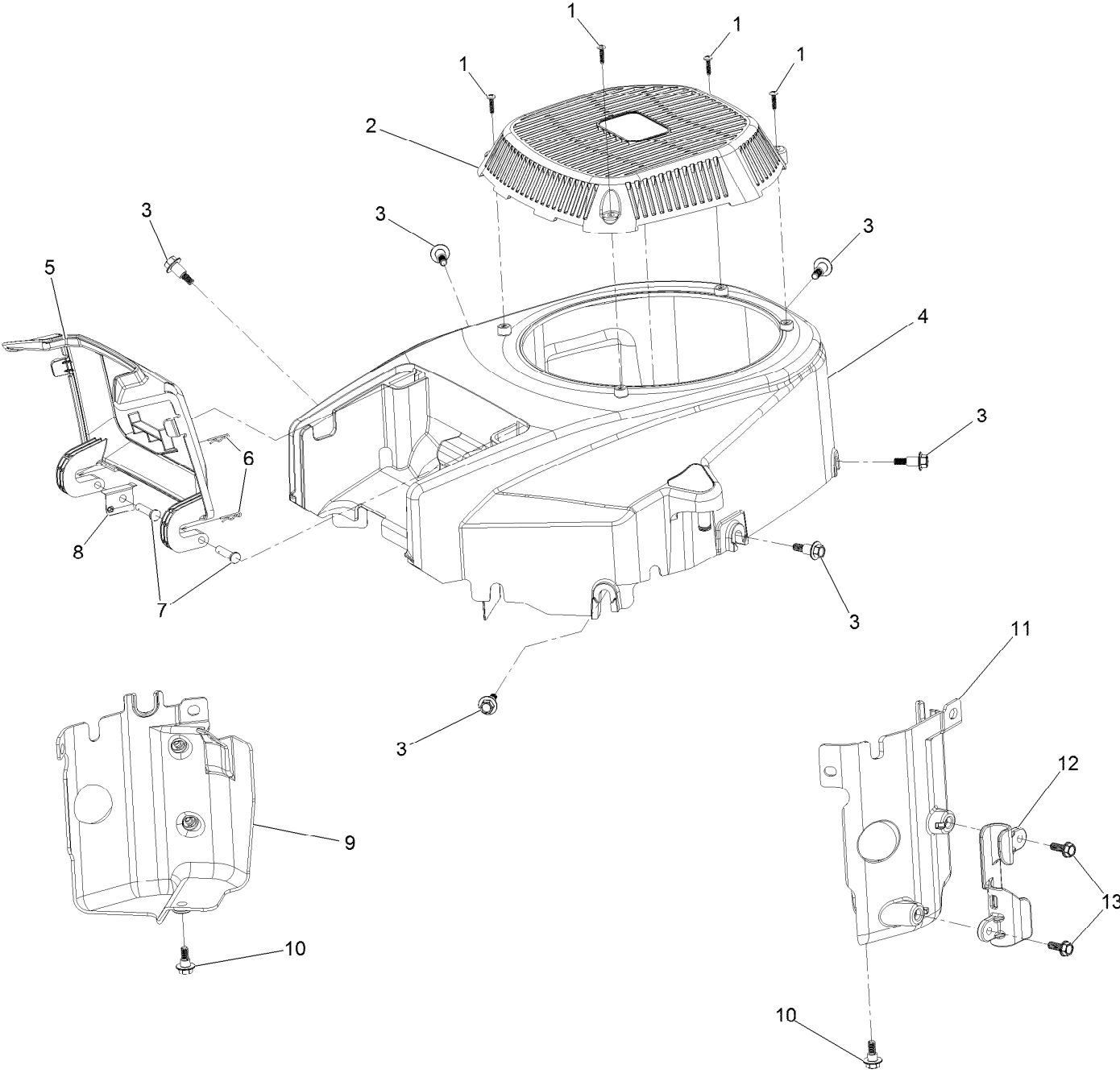
Piston and Cylinder Head Assembly



Piston and Cylinder Head Assembly (continued)

<i>Ref.</i>	<i>Part Number</i>	<i>Qty.</i>	<i>Description</i>	<i>Ref.</i>	<i>Part Number</i>	<i>Qty.</i>	<i>Description</i>
1	127-9256	2	Connecting Rod ASM	17	81-3250	2	Spark Plug
2	127-9258	4	Clip-Pin, Piston	18	127-9231	6	Screw-HWH
3	127-9257	2	Pin-Piston	19	127-9232	4	Screw-HWH
4	127-9259	2	Piston	20	120-4303	4	Seat-Spring, Valve
5	127-9260	2	Piston Ring Set	21	120-4304	4	Seal-Stem, Valve
6	127-9224	4	Lifter-Valve	22	120-4305	4	Spring-Valve
7	127-9225	4	Rod-Push	23	120-4306	4	Retainer-Spring, Valve
8	127-9226	2	Gasket-Head, Cylinder	24	120-4307	8	Keeper-Valve
9	127-9227	4	Pin-Dowel	25	127-9233	2	Plate-Guide, Push Rod
10	127-9228	2	Valve Set	26	136-7881	4	Rocker Arm ASM
11	127-9229	1	Head-Cylinder	27	127-9295	2	Gasket-Valve Cover
12	127-9254	1	Head-Cylinder	28	127-9050	2	Cover-Valve
13	121-0464	4	Stud-Exhaust	29	120-4225	8	Screw-HHF
14	120-4317	2	Gasket-Exhaust	30	120-4214	1	Screw-Shoulder, HH
15	127-9279	4	Washer-Lock, Split	31	136-7891	1	Complete Right Head ASM
16	121-0199	4	Nut-Hex M8	32	136-7892	1	Complete Left Head ASM

Blower Housing Assembly

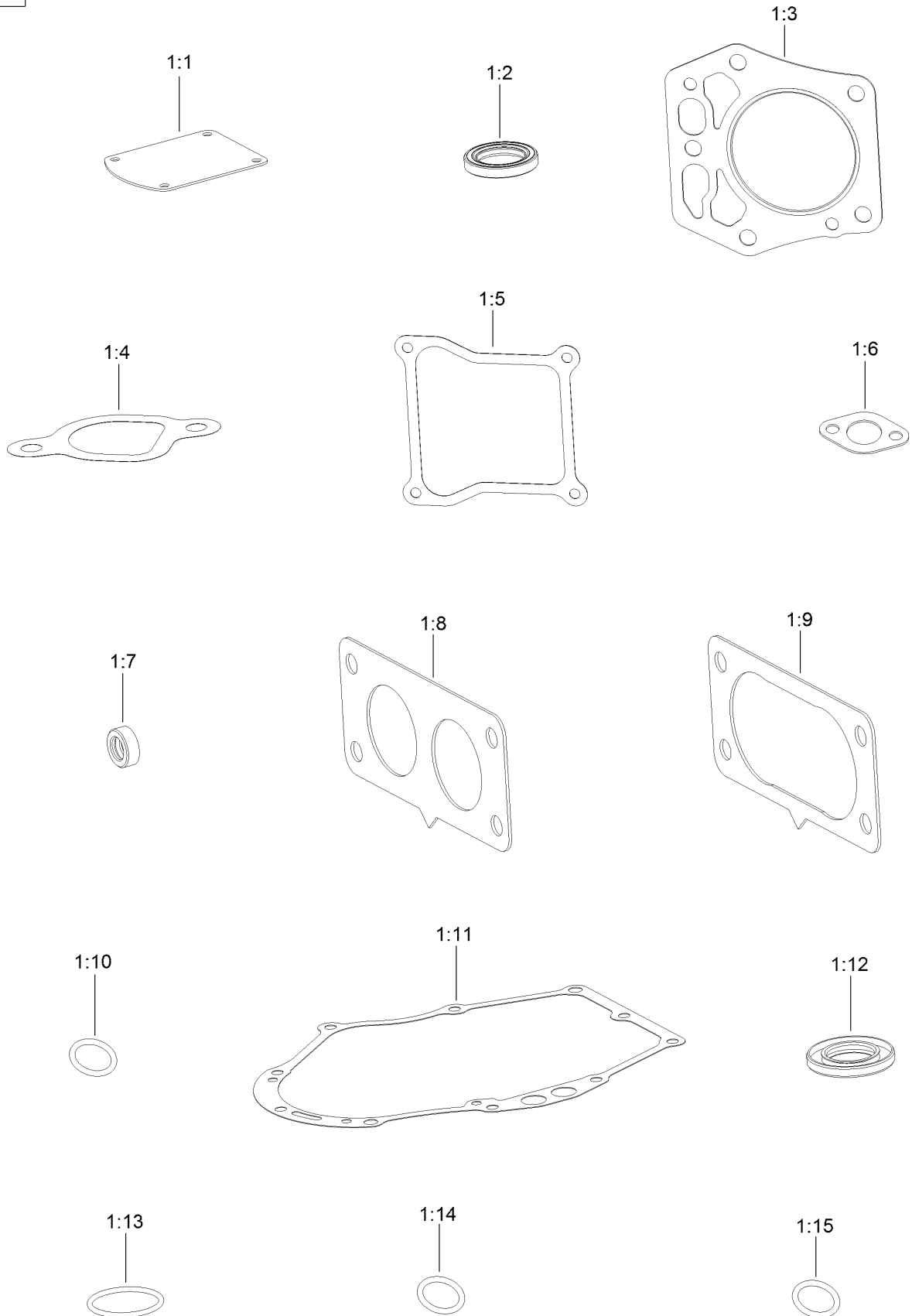


Blower Housing Assembly (continued)

<i>Ref.</i>	<i>Part Number</i>	<i>Qty.</i>	<i>Description</i>	<i>Ref.</i>	<i>Part Number</i>	<i>Qty.</i>	<i>Description</i>
1	133-1571	4	Screw-PPH, Plastic	8	127-9281	1	Plate-Spring
2	127-9045	1	Cover-Fan	9	136-7877	1	Baffle-Air, Left
3	127-9196	6	Screw-Shoulder, HWH	10	120-4210	2	Screw-Shoulder, HHF
4	133-1572	1	Shroud-Engine	11	136-7878	1	Baffle-Air, Right
5	127-9046	1	Door-Filter, Air	12	127-9287	1	Cleat-Hose
6	127-9280	2	Pin-Hair	13	120-4232	2	Screw-HHF
7	127-9282	2	Pin				

Gasket and Seal Kit

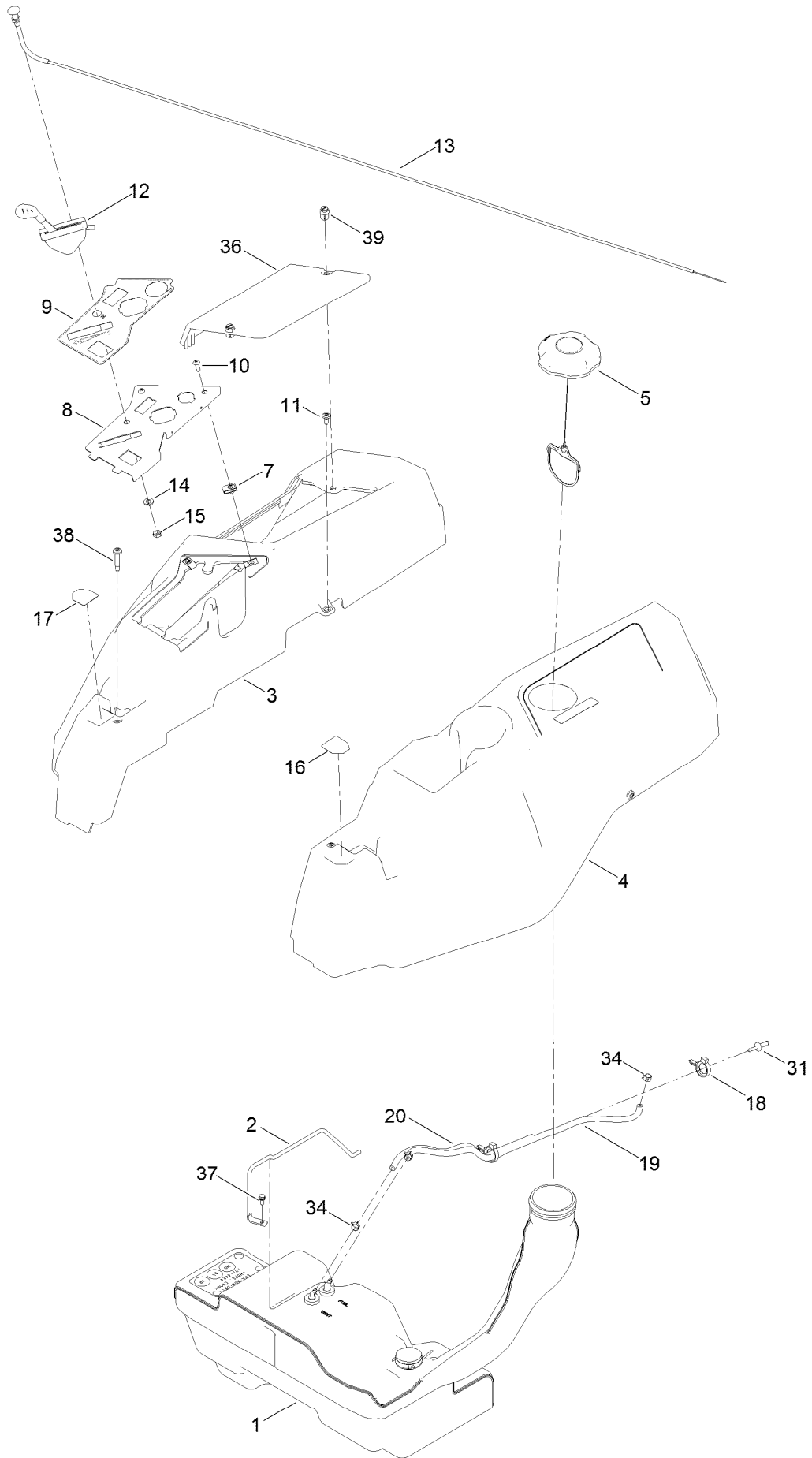
1



Gasket and Seal Kit (continued)

<i>Ref.</i>	<i>Part Number</i>	<i>Qty.</i>	<i>Description</i>	<i>Ref.</i>	<i>Part Number</i>	<i>Qty.</i>	<i>Description</i>
1	127-9296	1	Gasket And Seal Kit	1:8	127-9246	2	Gasket-Carburetor
1:1	127-9214	1	Gasket-Breather	1:9	127-9251	1	Gasket-Carburetor
1:2	120-4267	1	Seal-Oil	1:10	120-4262	2	O-Ring
1:3	127-9226	2	Gasket-Head, Cylinder	1:11	127-9267	1	Gasket-Cover, Crankcase
1:4	127-9230	2	Gasket-Intake	1:12	127-9271	1	Seal
1:5	127-9295	2	Gasket-Valve Cover	1:13	127-9273	1	O-Ring
1:6	120-4317	2	Gasket-Exhaust	1:14	127-9284	1	O-Ring
1:7	120-4257	1	Seal-Oil	1:15	127-9286	1	O-Ring

Body Styling and Fuel Tank Assembly

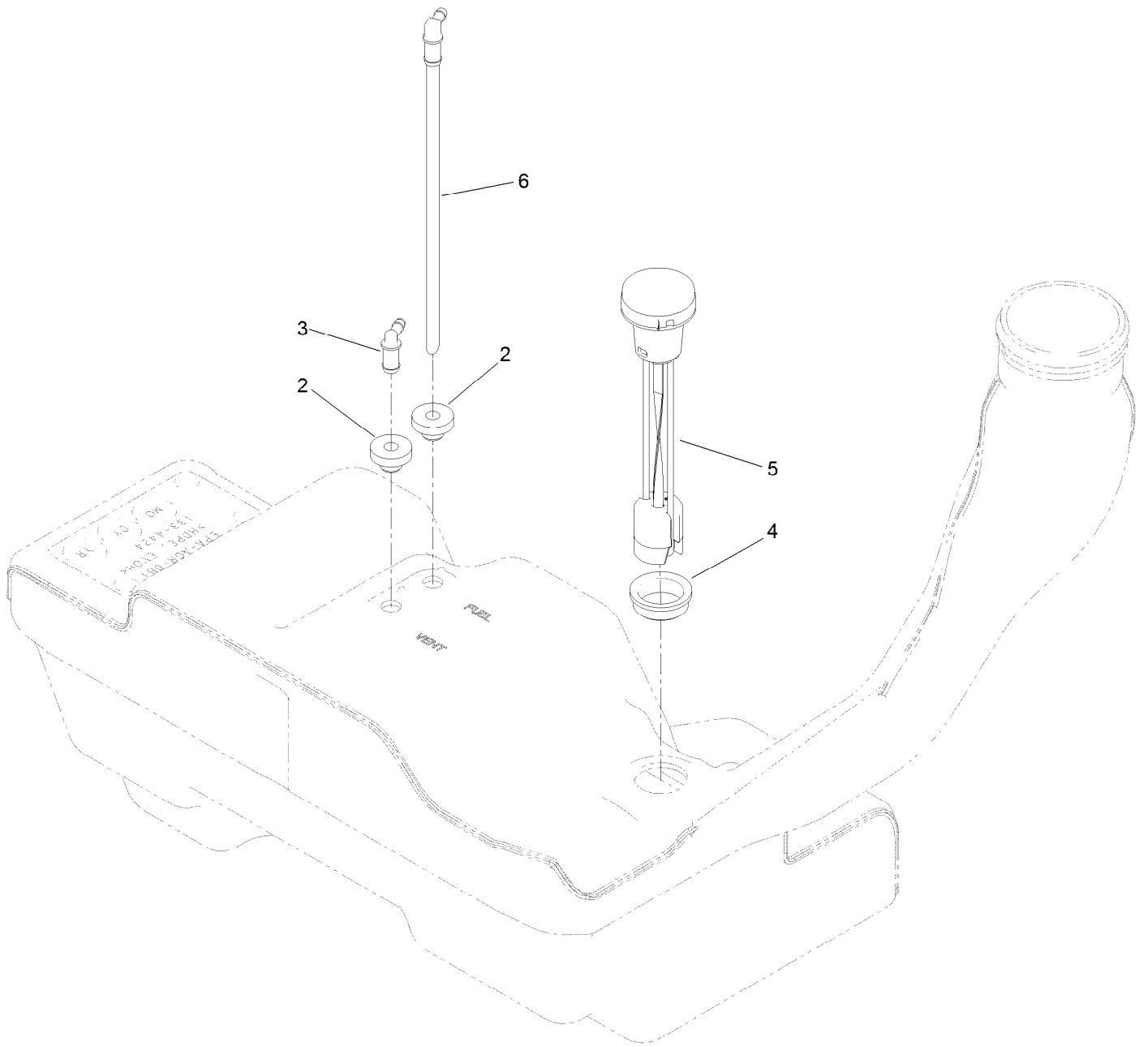


Body Styling and Fuel Tank Assembly (continued)

<i>Ref.</i>	<i>Part Number</i>	<i>Qty.</i>	<i>Description</i>	<i>Ref.</i>	<i>Part Number</i>	<i>Qty.</i>	<i>Description</i>
1	133-4484	1	Fuel Tank ASM	15	3220-3	1	Nut-HJ
2	136-4180	1	Rod-Hold Down	16	136-4243	1	Decal-Lever, Control (LH)
3	133-9307	1	Pod-RH	17	136-4244	1	Decal-Lever, Control (RH)
4	133-9315	1	Pod-LH	18	105-1853	2	Clamp-Hose
5	137-4119	1	Cap-Fuel, Ratcheting	19	110-5701	1	Hose-Fuel
7	107069	2	Clip	20	136-7525	1	Hose-Fuel
8	133-9346-03	1	Panel-Control	31	117-5399	1	Adaptor-Orifice
9	133-9263	1	Decal-Control W/Choke	34	2412-98	3	Clamp-Hose
10	3258-166	2	Screw-PRH	36	133-9308	1	Cover-Battery
11	120-7950	4	Screw-Torx	37	32144-4	1	Screw-HWH
12	136-5622	1	Cable-Throttle	38	136-4195	2	Screw-Shoulder
13	112-9753	1	Cable-Choke	39	121-5840	2	Fastener
14	3253-21	1	Washer-Lock	42	138-2522	1	Sleeve-Fuel Line Protector ●

● Not illustrated

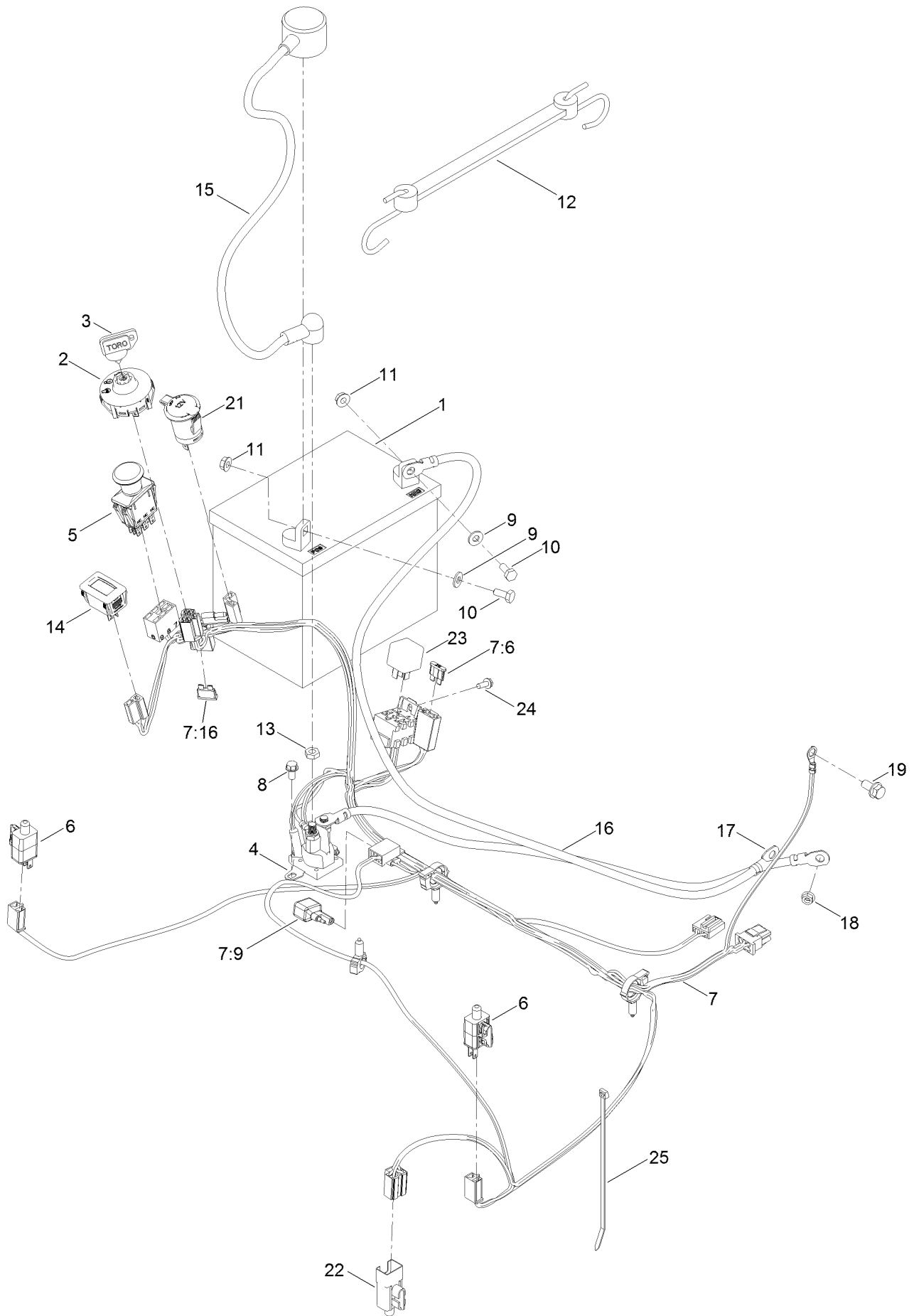
Fuel Tank Assembly No. 133-4484



Fuel Tank Assembly No. 133-4484 (continued)

<i>Ref.</i>	<i>Part Number</i>	<i>Qty.</i>	<i>Description</i>	<i>Ref.</i>	<i>Part Number</i>	<i>Qty.</i>	<i>Description</i>
2	46-6560	2	Bushing	5	133-9270	1	Gauge-Fuel
3	117-7400	1	Fitting-Plastic	6	121-0793	1	Connector-Elbow, 90 DEG
4	133-9269	1	Grommet-Fuel				

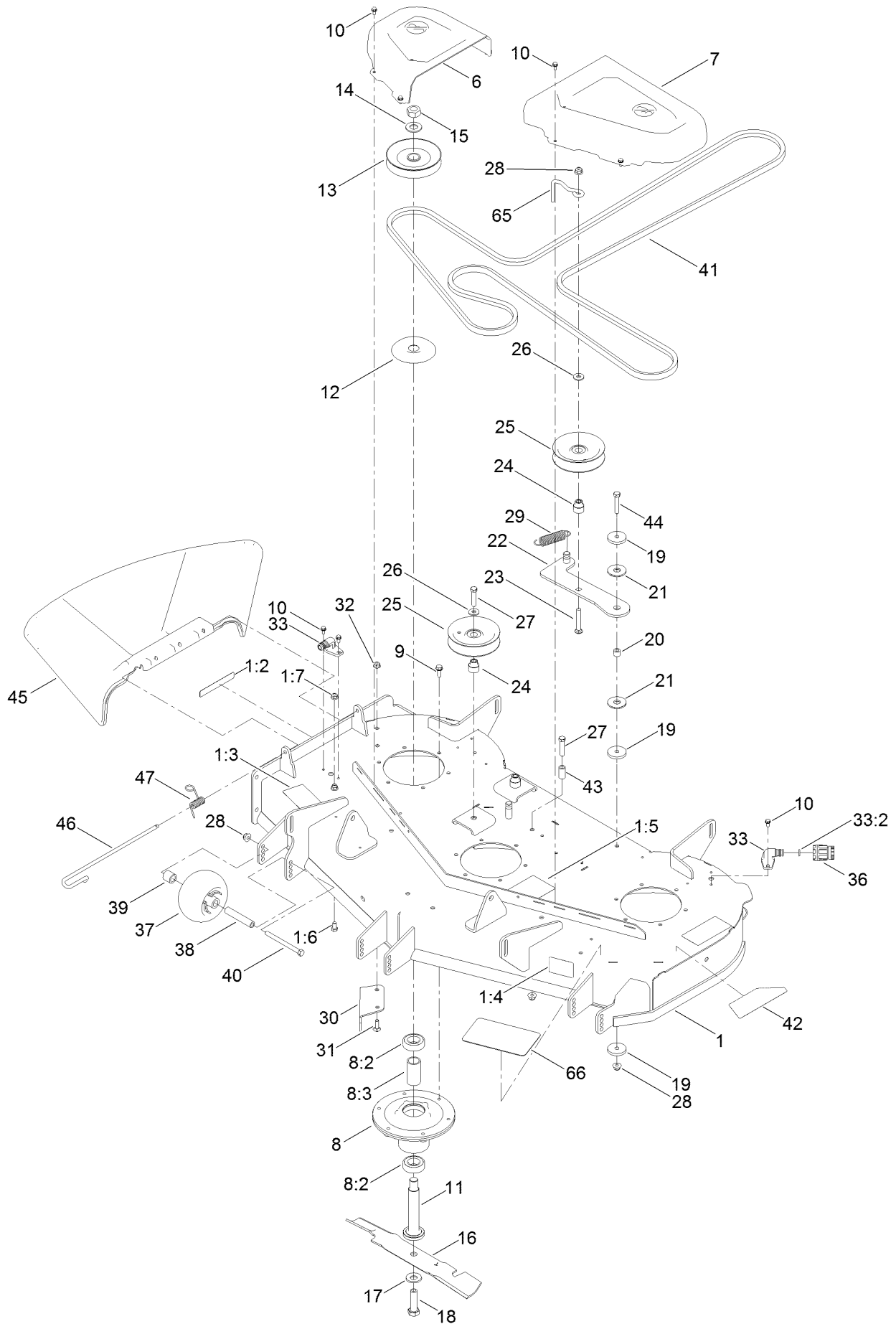
Battery and Electrical Assembly



Battery and Electrical Assembly (continued)

<i>Ref.</i>	<i>Part Number</i>	<i>Qty.</i>	<i>Description</i>	<i>Ref.</i>	<i>Part Number</i>	<i>Qty.</i>	<i>Description</i>
1	105-1692	1	Battery, 230CCA W/O Electrolyte	11	32128-33	2	Nut-HF
2	137-4100	1	Switch-Ignition	12	104-2466	1	Holddown-Battery
3	63-8360	1	Key-Ignition	13	3220-2	2	Nut-Jam
4	117-1197	1	Solenoid	14	120-2244	1	Hourmeter
5	103-5221	1	Switch-PTO	15	115-3864	1	Cable-Battery, Positive
6	110-6765	2	Switch	16	136-7473	1	Cable-Battery, Positive
7	137-7002	1	Harness-Wire	17	117-7240	1	Cable-Battery, Negative
7:6	109102	1	Fuse-Blade, 25 Amp	18	33003-00	1	Nut-HF
7:9	100-4918	1	Diode	19	3234-14	1	Screw-HHF
7:16	109355	1	Fuse-Blade, 15 Amp	21	126-6499	1	Port-Power, 12V
8	32144-4	2	Screw-HWH	22	99-7408	1	Switch-Reverse
9	3256-22	2	Washer-Flat	23	98-7249	1	Relay
10	321-3	2	Screw-HH	24	32144-1	1	Screw-Taptite
				25	614249	1	Tie-Cable

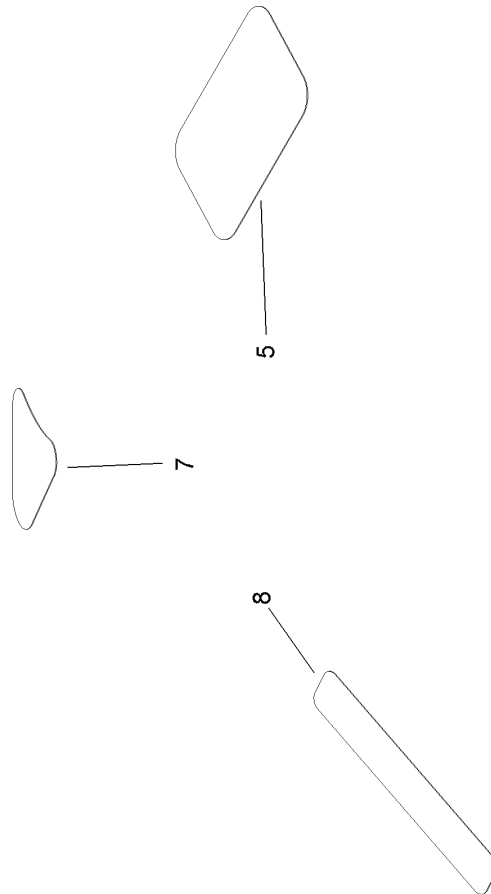
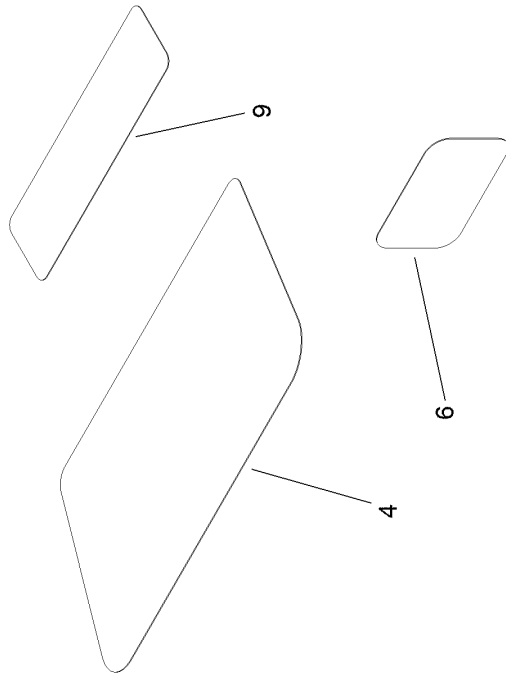
Deck Assembly



Deck Assembly (continued)

<i>Ref.</i>	<i>Part Number</i>	<i>Qty.</i>	<i>Description</i>	<i>Ref.</i>	<i>Part Number</i>	<i>Qty.</i>	<i>Description</i>
1	133-7066	1	Deck ASM	23	3231-31	1	Screw-CARR
1:2	130-0731	1	Decal-Danger	24	115-2577	3	Bushing-Idler
1:3	132-0872	2	Decal-Danger, Deck	25	132-4718	3	Pulley-Idler, Flat
1:4	130-0765	1	Decal-Scalp, Anti	26	80-6990	3	Washer-Hardened
1:5	117-1194	1	Decal-Routing, Belt	27	323-9	3	Screw-HH
1:6	322-2	1	Screw-HH	28	104-8301	6	Nut-HF, NI
1:7	104-8300	1	Nut-HF, NI	29	108-4056	1	Spring-Extension
6	133-9283	1	Cover-Belt, RH	30	117-7418-03	1	Baffle-Cutoff
7	133-9282	1	Cover-Belt, LH	31	3230-22	2	Screw-CARR
8	120-5477	3	Spindle ASM	32	104-8300	3	Nut-HF, NI
8:2	116-0720	2	Bearing-Ball	33	133-9289	2	Fitting-Washout
8:3	115-2641	1	Spacer-Bearing	33:2	133-9290	1	O-Ring
9	32144-41	18	Screw-Taptite	36	95-3270	1	Connector-Hose
10	32144-4	12	Screw-HWH	37	1-603299	3	Roller-Scalp, Anti
11	115-2642	3	Shaft-Spindle	38	98-7912	3	Tube-Spanner
12	117-7210	3	Shield-Bearing	39	104-0892	3	Spacer-Axle, Rear
13	117-7326	3	Pulley	40	323-23	3	Screw-HH
14	7-4150	3	Washer	41	133-7075	1	V-Belt
15	3219-7	3	Nut-Hex	42	119-3382	1	Decal-Deck
16	117-7277-03	3	Blade-Hi Flo, 16.50 Inch	43	1-603401	1	Spacer
17	125-1736	3	Washer-Belleville	44	323-10	1	Screw-HH
18	51-4060	3	Screw-Blade	45	133-1212	1	Deflector-Discharge
19	110-9981	3	Washer-Plain	46	109-8854	1	Pin-Chute
20	1-413088	1	Bushing-Lever, Lift	47	121-2983	1	Spring-Torsion
21	114-0463	2	Washer-Friction, Composite	65	136-5615	1	Guide-Belt, Idler
22	115-5054	1	Arm-Idler	66	133-9313	1	Tread-Step

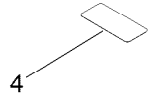
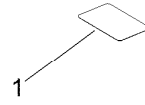
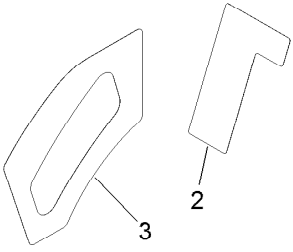
Model Specific Decal Assembly



Model Specific Decal Assembly (continued)

<i>Ref.</i>	<i>Part Number</i>	<i>Qty.</i>	<i>Description</i>	<i>Ref.</i>	<i>Part Number</i>	<i>Qty.</i>	<i>Description</i>
4	136-5618	1	Decal-Engine	7	131-1097	1	Decal-Drain, Oil
5	131-4157	1	Decal	8	132-0904	1	Decal-Shutdown
6	127-9076	1	Placard-Intake	9	136-9186	1	Decal-Bucket

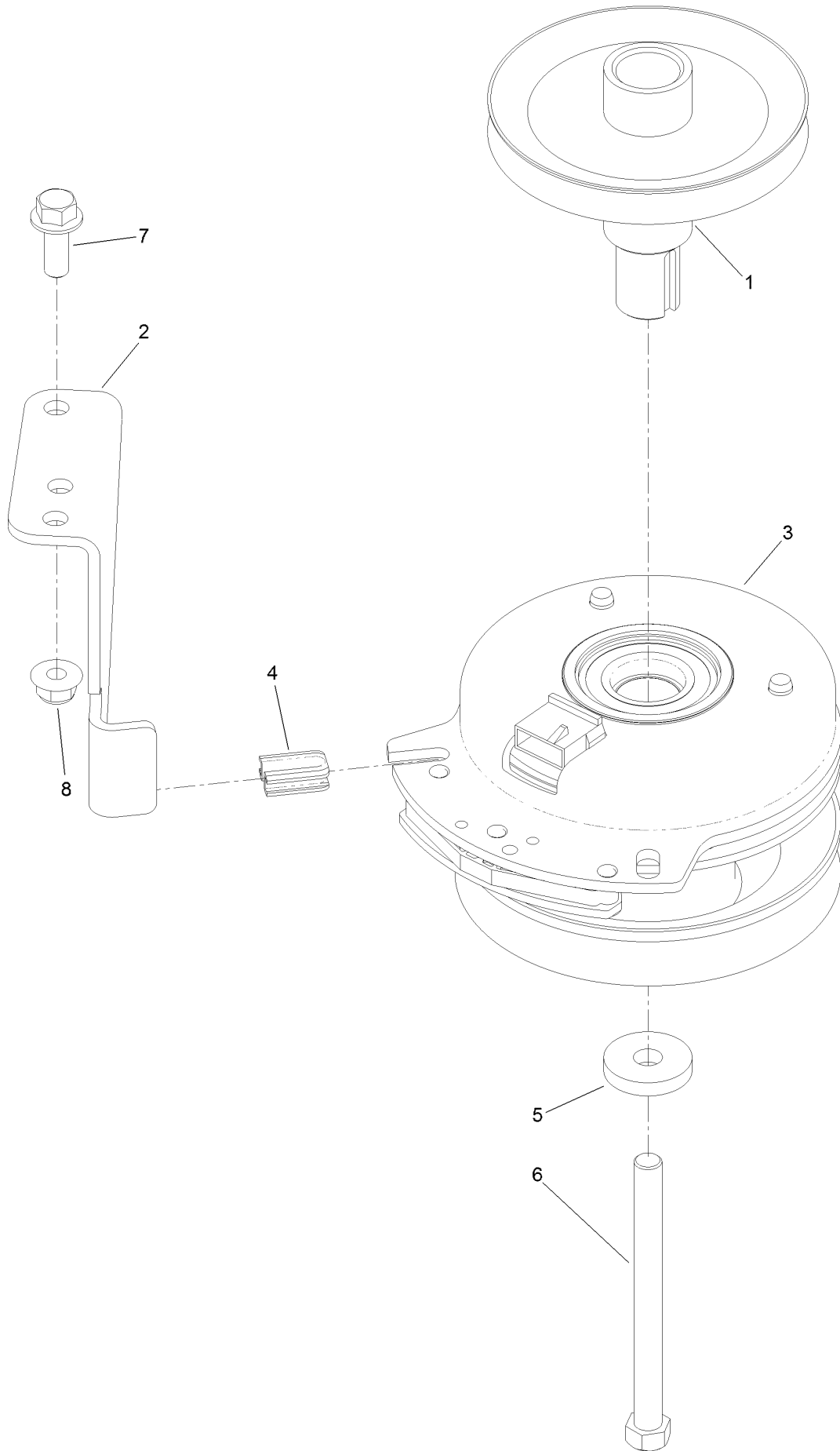
Series Decal Assembly



Series Decal Assembly (continued)

<i>Ref.</i>	<i>Part Number</i>	<i>Qty.</i>	<i>Description</i>	<i>Ref.</i>	<i>Part Number</i>	<i>Qty.</i>	<i>Description</i>
1	136-5596	1	Decal-Maintenance	3	130-0654	1	Decal-HOC
2	136-4245	1	Decal-Smart Speed	4	121-5684	1	Decal-Location, Service Dealer

Clutch Assembly



Clutch Assembly (continued)

<i>Ref.</i>	<i>Part Number</i>	<i>Qty.</i>	<i>Description</i>	<i>Ref.</i>	<i>Part Number</i>	<i>Qty.</i>	<i>Description</i>
1	133-1208	1	Pulley-Engine	5	112843	1	Washer
2	119-8885	1	Stop-Clutch	6	3212-19	1	Screw-HH
3	127-3410	1	Clutch-PTO	7	3234-42	1	Screw-HHF
4	120-2217	1	Isolator-Clutch	8	104-8301	1	Nut-HF, NI

Attachments and Accessories

For 75211 TimeCutter HD MyRide 48in Riding Mower

Product Name	Model/Part
All Season Synthetic Oil (10W30, QT)	117-0066
48in Striping Kit.....	119-3380
Leaf Bagging Enhancement Kit	119-3381
Jack Kit	127-6666
Fuel Stabilizer .05 oz	130-2393
4-Cycle Fuel, Snow And Lawn 32oz Can	131-3823
Toro Premium Fuel Treatment 12 Oz Bottle	131-6572
Deck Lift Assist Kit	132-6850
5 Gallon Bucket	133-2533
48in Recycler Kit.....	136-7488
Mount Kit	136-7491
Weight Kit	136-7492
Light Kit.....	136-7493
Bucket Mount.....	136-7494
Rops Kit	136-7495
HD Air Cleaner Kit	136-7860
Jack Mount Kit	136-9200
HD Shock and Spring Kit	137-2042
Sunshade	137-7011
Product Cover.....	137-7012
10w30 4-Cycle Engine Oil (32oz Bottle).....	38280
Toro 4-Cycle SAE 30 Oil (32oz Bottle)	38903
EZ Vac Complete Twin Bagger	79345

Notes:

Notes:

Notes:



Count on it.