



**Count on it.**

**Parts Catalog**

**TimeCutter® HD MyRide® 48in  
Riding Mower**

Model No. 75211—Serial No. 402614527 and Up



# Ordering Replacement Parts

To order replacement parts, please supply the part number, the quantity, and the description of each part desired.

## Understanding Reference Numbers

Each identified part in an illustration has a reference number. The reference number for a part also appears in the parts list, along with other information about the part.

This catalog uses two special reference number formats, one to indicate parts in a service assembly and another to indicate the quantity of a given part in an illustration.

## Service Assembly Reference Numbers

Parts in service assemblies have reference numbers in the form a:b. The a represents the reference number of the entire service assembly and the b represents a sequential number unique to each part within the service assembly.

For example, a wheel assembly might be identified by reference number 6, the tire by 6:1, the valve by 6:2, and the wheel by 6:3. When you order the assembly identified by reference number 6, you receive all parts identified by reference numbers 6:1, 6:2, and 6:3. However, you may also order any part individually. Reference numbers of this type appear in illustration and in parts lists.

## Reference Numbers Indicating Quantity

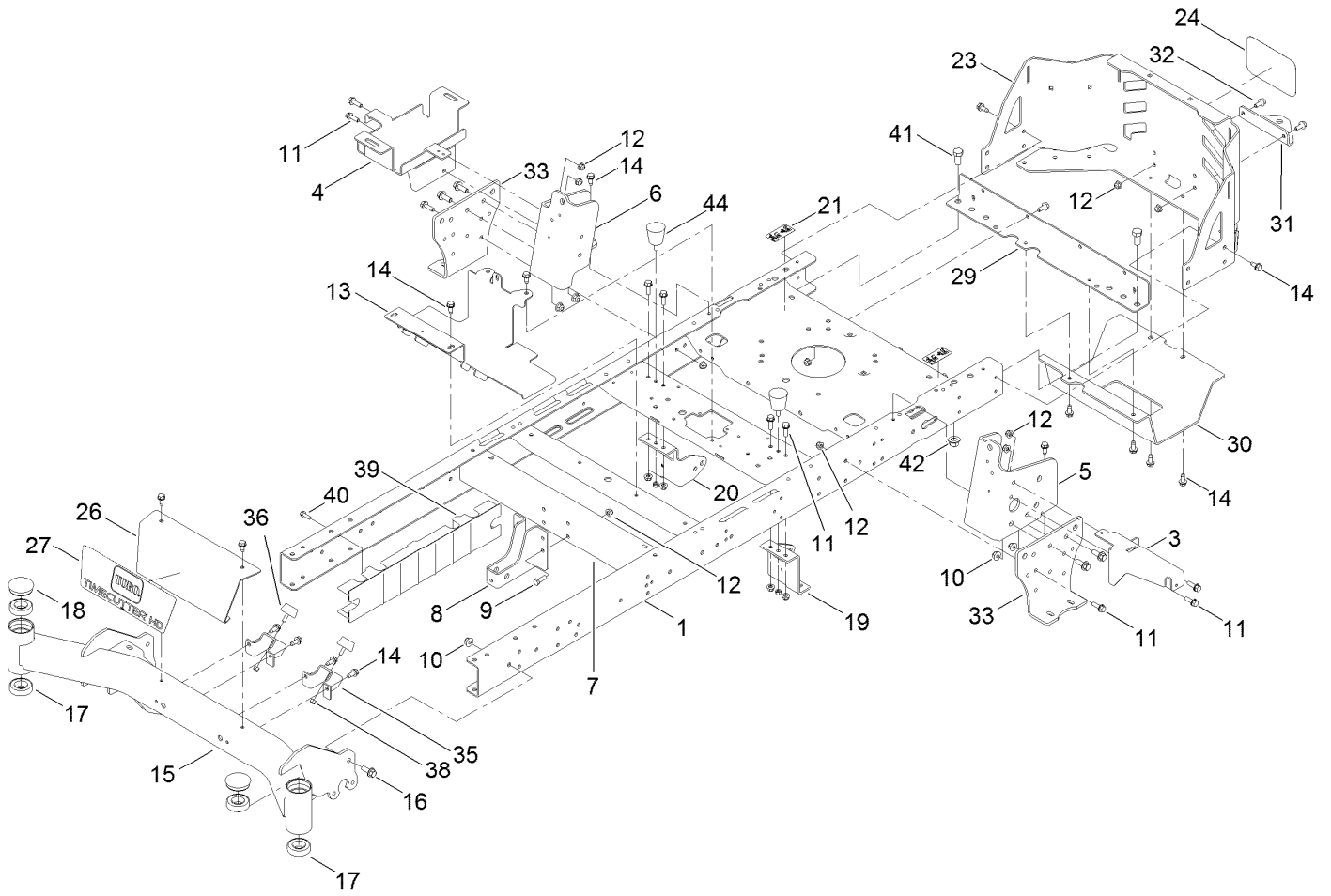
In an illustration, if a reference number indicates more than one part, the reference number has the form nX y. The n represents the quantity of the part, the X is the multiplication symbol, and the y represents the reference number.

For example, in an illustration, the reference number 2X 37 means that two of the parts identified by reference number 37 are indicated.

# Contents

|  |    |
|--|----|
| Frame Assembly . . . . .   | 4  |
| Deck Lift Assembly . . . . .                                     | 6  |
| Caster Fork Assembly . . . . .                                   | 8  |
| Hydro Transaxle Drive and Rear Wheel Assembly . . . . .          | 10 |
| LH Transaxle Assembly No. 133-4420 . . . . .                     | 12 |
| RH Transaxle Assembly No. 133-4421 . . . . .                     | 14 |
| Parking Brake Assembly . . . . .                                 | 16 |
| Rear Tire and Wheel Assembly . . . . .                           | 18 |
| Seat Pan Assembly . . . . .                                      | 20 |
| Seat Assembly No. 139-2367 . . . . .                             | 22 |
| Motion Control Assembly . . . . .                                | 24 |
| Engine Assembly . . . . .  | 26 |
| Fuel System Assembly . . . . .                                   | 28 |
| Carburetor Assembly with Non-Canister Style Air Filter . . . . . | 30 |
| Air Intake and Filtration Assembly . . . . .                     | 32 |
| Ignition and Cooling Fan . . . . .                               | 34 |
| Crankcase and Crankshaft Assembly . . . . .                      | 36 |
| Governor Control Assembly . . . . .                              | 38 |
| Piston and Cylinder Head Assembly . . . . .                      | 40 |
| Blower Housing Assembly . . . . .                                | 42 |
| Gasket and Seal Kit . . . . .                                    | 44 |
| Body Styling and Fuel Tank Assembly . . . . .                    | 46 |
| Fuel Tank Assembly No. 133-4484 . . . . .                        | 48 |
| Battery and Electrical Assembly . . . . .                        | 50 |
| Deck Assembly . . . . .  | 52 |
| Deck Decal Assembly No. 133-7066 . . . . .                       | 54 |
| Model Specific Decal Assembly . . . . .                          | 56 |
| Maintenance, HOC and Speed Decal Assembly . . . . .              | 58 |
| Clutch Assembly . . . . .  | 60 |
| Attachments and Accessories . . . . .                            | 62 |

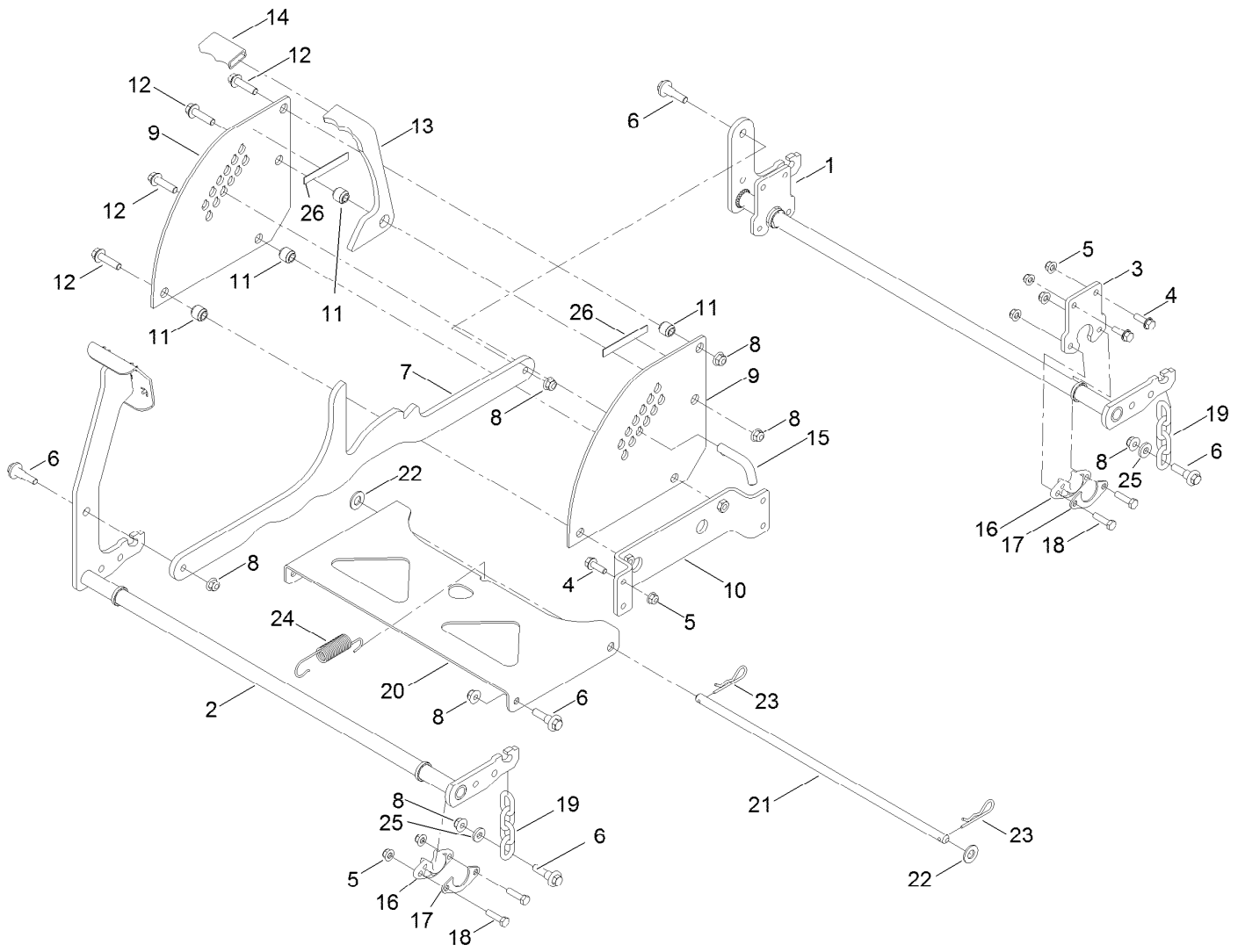
# Frame Assembly



## Frame Assembly (continued)

| <i>Ref.</i> | <i>Part Number</i> | <i>Qty.</i> | <i>Description</i>             | <i>Ref.</i> | <i>Part Number</i> | <i>Qty.</i> | <i>Description</i>         |
|-------------|--------------------|-------------|--------------------------------|-------------|--------------------|-------------|----------------------------|
| 1           | 137-7023-01        | 1           | Frame ASM                      | 20          | 137-7020-01        | 1           | Mount-Hydro, Front (Right) |
| 3           | 133-7051-03        | 1           | Bracket-Support, Pod (LH)      | 21          | 121-2989           | 2           | Decal-Bypass               |
| 4           | 136-4185-03        | 1           | Tray-Battery                   | 23          | 133-4431-03        | 1           | Guard-Engine               |
| 5           | 137-5068-01        | 1           | Bracket-Mounting, LH           | 24          | 99-4693            | 1           | Decal                      |
| 6           | 137-5069-01        | 1           | Bracket-Mounting, RH           | 26          | 133-9345-01        | 1           | Plate-Front                |
| 7           | 133-4413-01        | 1           | Brace-Cross, Lower             | 27          | 136-7472           | 1           | Decal-Timecutter HD        |
| 8           | 137-7022-01        | 1           | Bracket-Mount Damper,<br>Lower | 29          | 137-7016-01        | 1           | Crossmember-Rear, Wide     |
| 9           | 322-5              | 4           | Screw-HH                       | 30          | 133-4429-03        | 1           | Guard-Muffler              |
| 10          | 104-8301           | 10          | Nut-HF, NI                     | 31          | 117-1232-03        | 1           | Bracket-Hitch              |
| 11          | 3234-29            | 20          | Screw-HHF                      | 32          | 3234-47            | 6           | Screw-HHF                  |
| 12          | 104-8300           | 30          | Nut-HF, NI                     | 33          | 133-1201-03        | 2           | Mount-Hydro                |
| 13          | 133-4485-03        | 1           | Bracket-Mount                  | 35          | 133-4414-01        | 2           | Bracket-Stop, Bump         |
| 14          | 32144-70           | 26          | Screw-HWHTF                    | 36          | 131-8834           | 2           | Bumper                     |
| 15          | 133-4310-01        | 1           | Axle-Front                     | 38          | 3296-42            | 4           | Nut-Lock, NI               |
| 16          | 3234-42            | 10          | Screw-HHF                      | 39          | 137-5093           | 2           | Guard-Rail                 |
| 17          | 109-3678           | 4           | Bearing-Ball                   | 40          | 46-8091            | 6           | Screw-HWH                  |
| 18          | 116-4348           | 2           | Cap-Grease                     | 41          | 325-4              | 2           | Screw-HH                   |
| 19          | 137-7021-01        | 1           | Mount-Hydro, Front (Left)      | 42          | 99-5107            | 2           | Nut-Lock                   |
|             |                    |             |                                | 44          | 132-5058           | 2           | Bumper-Rubber              |

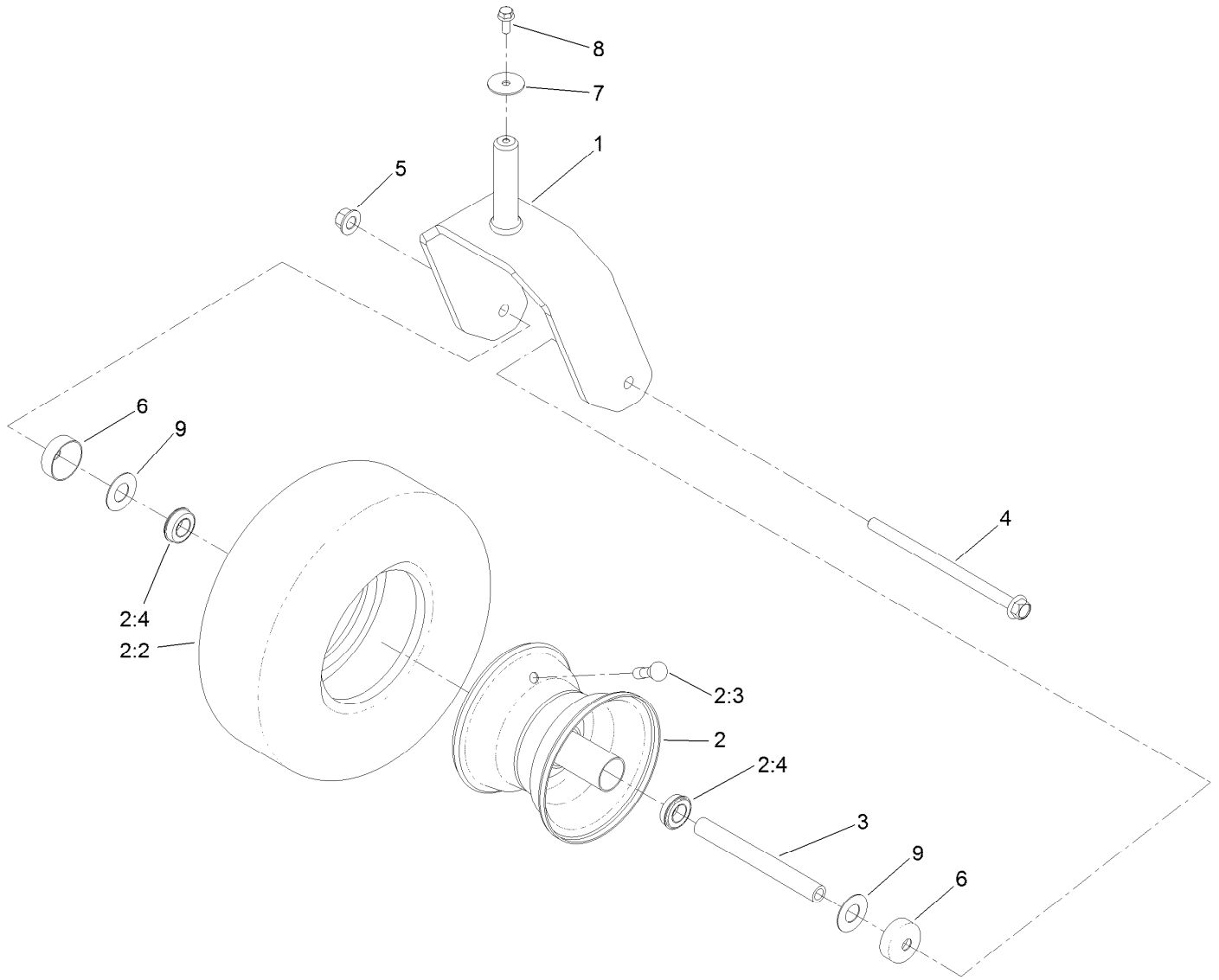
# Deck Lift Assembly



## Deck Lift Assembly (continued)

| <i>Ref.</i> | <i>Part Number</i> | <i>Qty.</i> | <i>Description</i>  | <i>Ref.</i> | <i>Part Number</i> | <i>Qty.</i> | <i>Description</i> |
|-------------|--------------------|-------------|---------------------|-------------|--------------------|-------------|--------------------|
| 1           | 137-2020-03        | 1           | Pivot-Rear          | 14          | 116-4312           | 1           | Grip-Flat          |
| 2           | 133-4430-03        | 1           | Pivot-Front         | 15          | 116-5584           | 1           | Pin-HOC            |
| 3           | 137-2021-03        | 2           | Plate               | 16          | 115-5065           | 4           | Bushing-Flange     |
| 4           | 3234-29            | 8           | Screw-HHF           | 17          | 116-2887           | 4           | Gusset-Lift, Deck  |
| 5           | 104-8300           | 16          | Nut-HF, NI          | 18          | 322-6              | 8           | Screw-HH           |
| 6           | 130-0742           | 8           | Bolt-Shoulder       | 19          | 130-0668           | 4           | Chain-Decklift     |
| 7           | 127-3390-03        | 1           | Link-HOC            | 20          | 133-4311-01        | 1           | Pan-Pivot, Deck    |
| 8           | 104-8301           | 10          | Nut-HF, NI          | 21          | 133-7071           | 1           | Rod-Pivot, Deck    |
| 9           | 127-3389-03        | 2           | Plate-Deck, Lift    | 22          | 3256-26            | 2           | Washer-Flat        |
| 10          | 133-7049           | 1           | Plate-Lift          | 23          | 1-806005           | 2           | Pin-Cotter         |
| 11          | 116-4313           | 4           | Spacer-Step, Double | 24          | 115-9652           | 1           | Spring-Extension   |
| 12          | 114-4681           | 4           | Screw-HHF           | 25          | 43-0940            | 4           | Spacer             |
| 13          | 127-3391           | 1           | Lock-Transport, HOC | 26          | 130-0734           | 2           | Pad-Rubber         |

# Caster Fork Assembly





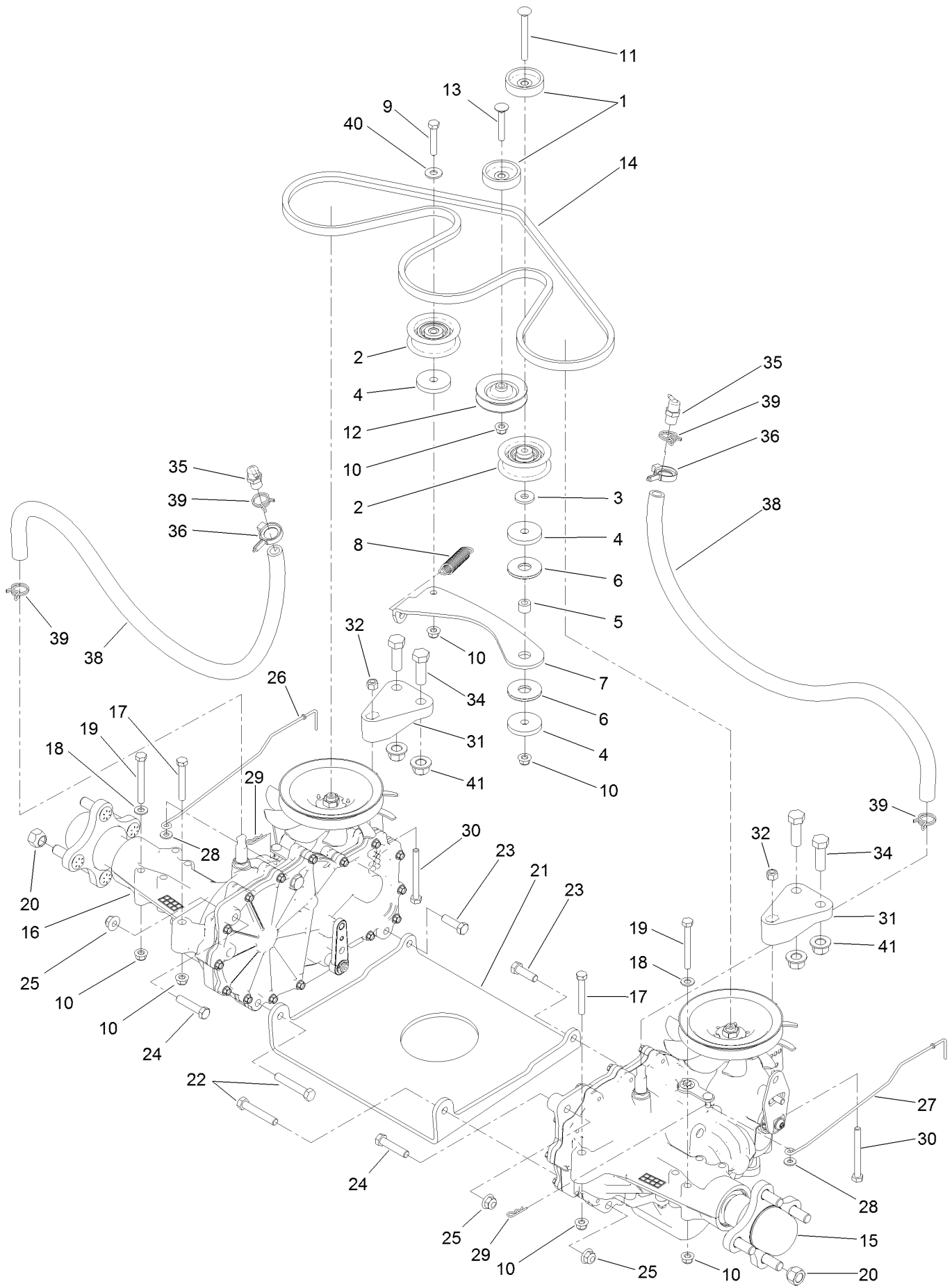
## Caster Fork Assembly (continued)

| <i>Ref.</i> | <i>Part Number</i> | <i>Qty.</i> | <i>Description</i> | <i>Ref.</i> | <i>Part Number</i> | <i>Qty.</i> | <i>Description</i> |
|-------------|--------------------|-------------|--------------------|-------------|--------------------|-------------|--------------------|
| 1           | 126-4312-01        | 2           | Fork-Caster        | 4           | 126-5389           | 2           | Screw-HHF          |
| 2           | 133-4428           | 2           | Tire And Wheel ASM | 5           | 99-5107            | 2           | Nut-Lock           |
| 2:2         | 125-5581           | 1           | Tire               | 6           | 133-7088           | 4           | Guard-Seal         |
| 2:3         | 232-27             | 1           | Stem-Valve         | 7           | 3256-68            | 2           | Washer-Flat        |
| 2:4         | 136-4190           | 2           | Bearing            | 8           | 3234-47            | 2           | Screw-HHF          |
| 2:99        | 232-46             | 1           | Tube-Inner ●■      | 9           | 136-5590           | 4           | Washer             |
| 3           | 133-4487           | 2           | Spanner-Wheel      |             |                    |             |                    |

● Not illustrated

■ Optional Equipment

# Hydro Transaxle Drive and Rear Wheel Assembly



# Hydro Transaxle Drive and Rear Wheel Assembly (continued)

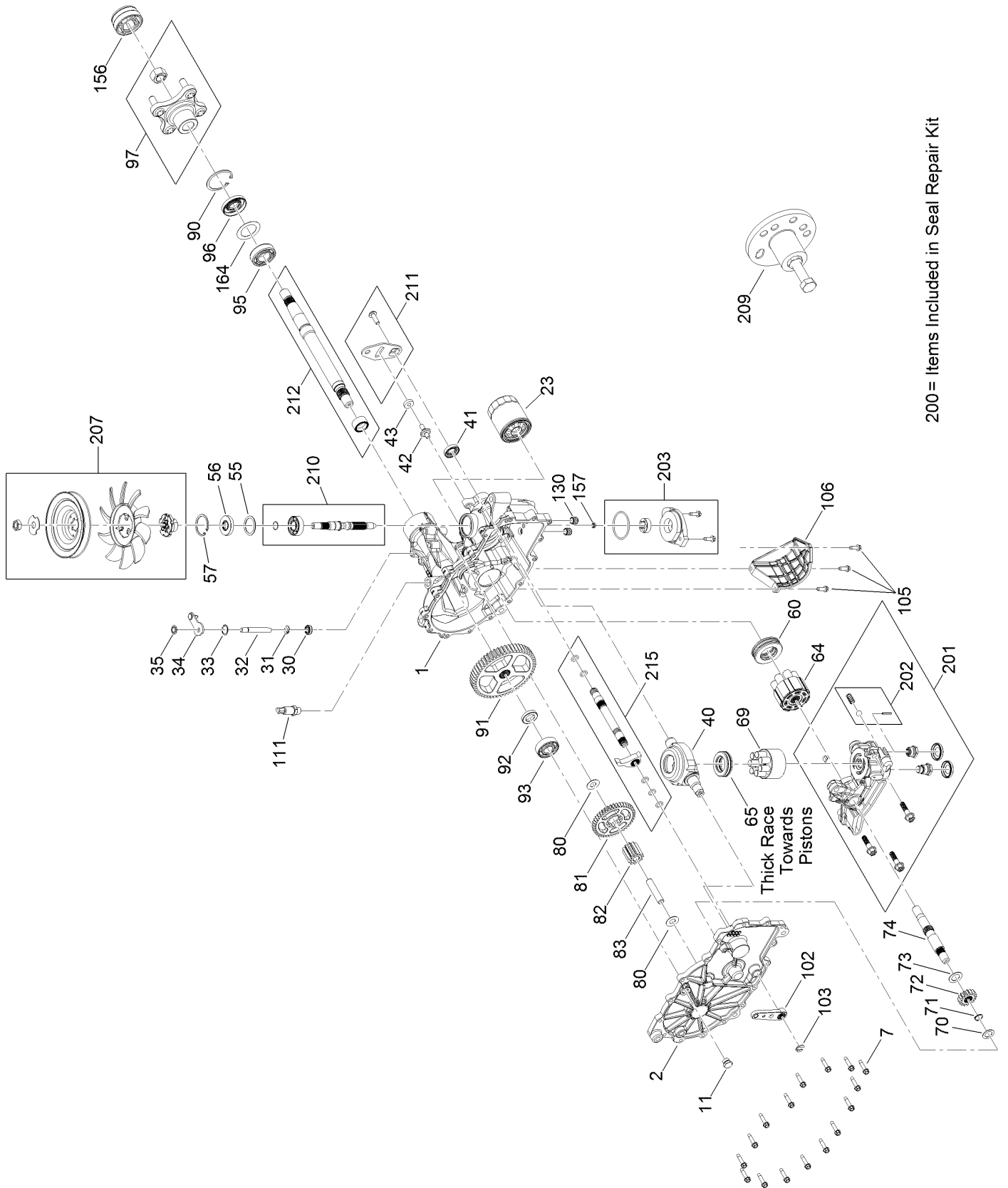
| <i>Ref.</i> | <i>Part Number</i> | <i>Qty.</i> | <i>Description</i>           | <i>Ref.</i> | <i>Part Number</i> | <i>Qty.</i> | <i>Description</i>  |
|-------------|--------------------|-------------|------------------------------|-------------|--------------------|-------------|---------------------|
| 1           | 119-3353           | 2           | Spacer                       | 20          | 242-50             | 8           | Nut-Lug             |
| 2           | 106-2176           | 2           | Pulley-Idler                 | 21          | 130-0718-01        | 1           | Plate-Cross, Hydro  |
| 3           | 1-613235           | 1           | Washer                       | 22          | 323-11             | 2           | Screw-HH            |
| 4           | 110-9981           | 3           | Washer-Plain                 | 23          | 323-7              | 2           | Screw-HH            |
| 5           | 114-8549           | 1           | Bushing                      | 24          | 323-9              | 2           | Screw-HH            |
| 6           | 114-0463           | 2           | Washer-Friction, Composite   | 25          | 104-8301           | 6           | Nut-HF, NI          |
| 7           | 133-4423           | 1           | Arm-Idler                    | 26          | 133-4304           | 1           | Rod-Bypass, RH      |
| 8           | 104-6415           | 1           | Spring-Return, Pedal         | 27          | 133-4305           | 1           | Rod-Bypass, LH      |
| 9           | 322-9              | 1           | Screw-HH                     | 28          | 3256-22            | 2           | Washer-Flat         |
| 10          | 104-8300           | 9           | Nut-HF, NI                   | 29          | 3290-307           | 2           | Pin-Cotter          |
| 11          | 119-9784           | 1           | Screw-CARR                   | 30          | 322-14             | 2           | Screw-HH            |
| 12          | 119-8822           | 1           | Pulley-Idler                 | 31          | 133-1247           | 2           | Support-Hydro, Rear |
| 13          | 3230-6             | 1           | Bolt-CARR                    | 32          | 3296-29            | 2           | Nut-Lock, NI        |
| 14          | 133-4371           | 1           | V-Belt                       | 34          | 325-6              | 4           | Screw-HH            |
| 15          | 133-4420           | 1           | LH Hydro Transmission<br>ASM | 35          | 136-4183           | 2           | Breather Kit        |
| 16          | 133-4421           | 1           | RH Hydro Transmission<br>ASM | 36          | 105-1853           | 2           | Clamp-Hose          |
| 17          | 322-11             | 2           | Screw-HH                     | 38          | 136-4182           | 2           | Hose-Hydro          |
| 18          | 3256-23            | 6           | Washer-Plain                 | 39          | 117-1193           | 4           | Clamp-Hose          |
| 19          | 322-13             | 4           | Screw-HH                     | 40          | 3256-3             | 1           | Washer-Flat         |
|             |                    |             |                              | 41          | 99-5107            | 4           | Nut-Lock            |



## LH Transaxle Assembly No. 133-4420 (continued)

| <i>Ref.</i> | <i>Part Number</i> | <i>Qty.</i> | <i>Description</i>       | <i>Ref.</i> | <i>Part Number</i> | <i>Qty.</i> | <i>Description</i>           |
|-------------|--------------------|-------------|--------------------------|-------------|--------------------|-------------|------------------------------|
| 1           | 117-5357           | 1           | RH Main Housing Kit      | 82          | 120-7974           | 1           | Gear-11T                     |
| 2           | 117-5358           | 1           | RH Housing Side Kit      | 83          | 104-5329           | 1           | Pin-Jackshaft                |
| 7           | 117-5359           | 16          | Screw-HHF                | 90          | 104-2169           | 1           | Ring-Retaining               |
| 11          | 135-1140           | 1           | Plug-Straight            | 91          | 114-1694           | 1           | Gear-54T                     |
| 23          | 109-3321           | 1           | Element-Oil Filter, HYD  | 92          | 120-7975           | 1           | Spacer                       |
| 30          | 106-8676           | 1           | Seal-Lip                 | 93          | 137-2004           | 1           | Bearing Kit                  |
| 31          | 106-8677           | 1           | Ring-Retaining, External | 95          | 109-8110           | 1           | Input Bearing Kit            |
| 32          | 114-1685           | 1           | Rod-Bypass               | 96          | 130-8478           | 1           | Seal-Lip                     |
| 33          | 106-8679           | 1           | Ring-Retaining, Internal | 97          | 109-5939           | 1           | Hub Kit                      |
| 34          | 112-9852           | 1           | Arm-Bypass               | 102         | 125-0021           | 1           | Handle-Brake                 |
| 35          | 106-8681           | 1           | Ring-Retaining, External | 103         | 131-0906           | 1           | Ring-Retaining, EXT          |
| 40          | 104-5304           | 1           | Swashplate-Trunnion      | 105         | 104-2120           | 3           | Screw                        |
| 41          | 104-5313           | 1           | Seal-Lip                 | 106         | 120-7981           | 1           | Guard-Filter, RH             |
| 42          | 104-2116           | 1           | Stud                     | 111         | 109-3278           | 1           | Adapter-Straight             |
| 43          | 112-9853           | 1           | Puck-Friction            | 130         | 126-3251           | 2           | Tube-Charge                  |
| 55          | 104-5308           | 1           | Spacer                   | 156         | 115-5057           | 1           | Cover-Nut, Axle              |
| 56          | 104-5310           | 1           | Seal-Lip                 | 157         | 130-8486           | 1           | Seal-Gerotor                 |
| 57          | 104-5309           | 1           | Ring-Retaining           | 164         | 121-5745           | 1           | Spacer                       |
| 60          | 112-4154           | 1           | Bearing-Thrust           | 200         | 109-3537           | 1           | Seal Kit                     |
| 64          | 114-1689           | 1           | Motor Cylinder Block Kit | 201         | 137-2005           | 1           | RH Charge Center Section Kit |
| 65          | 94-6922            | 1           | Bearing-Thrust           |             |                    |             |                              |
| 69          | 110-8561           | 1           | Pump Block ASM           | 202         | 114-8464           | 1           | Charge Relief Kit            |
| 70          | 104-5339           | 1           | Washer-Flat              | 203         | 114-8465           | 1           | Charge Kit                   |
| 71          | 104-5340           | 1           | Ring-Retaining           | 207         | 137-2006           | 1           | Fan Pulley Kit               |
| 72          | 131-0905           | 1           | Gear-14T                 | 209         | 114-8467           | 1           | Puller-Hub, 4 Bolt           |
| 73          | 114-1691           | 1           | Shaft-Motor              | 210         | 117-5361           | 1           | Input Shaft Kit              |
| 74          | 104-5360           | 1           | Washer                   | 211         | 117-5362           | 1           | Control Arm Kit              |
| 80          | 119-5541           | 2           | Washer                   | 212         | 114-8470           | 1           | Axle Shaft Kit               |
| 81          | 114-1692           | 1           | Gear-45T                 | 215         | 137-2007           | 1           | Brake Shaft Kit              |

# RH Transaxle Assembly No. 133-4421

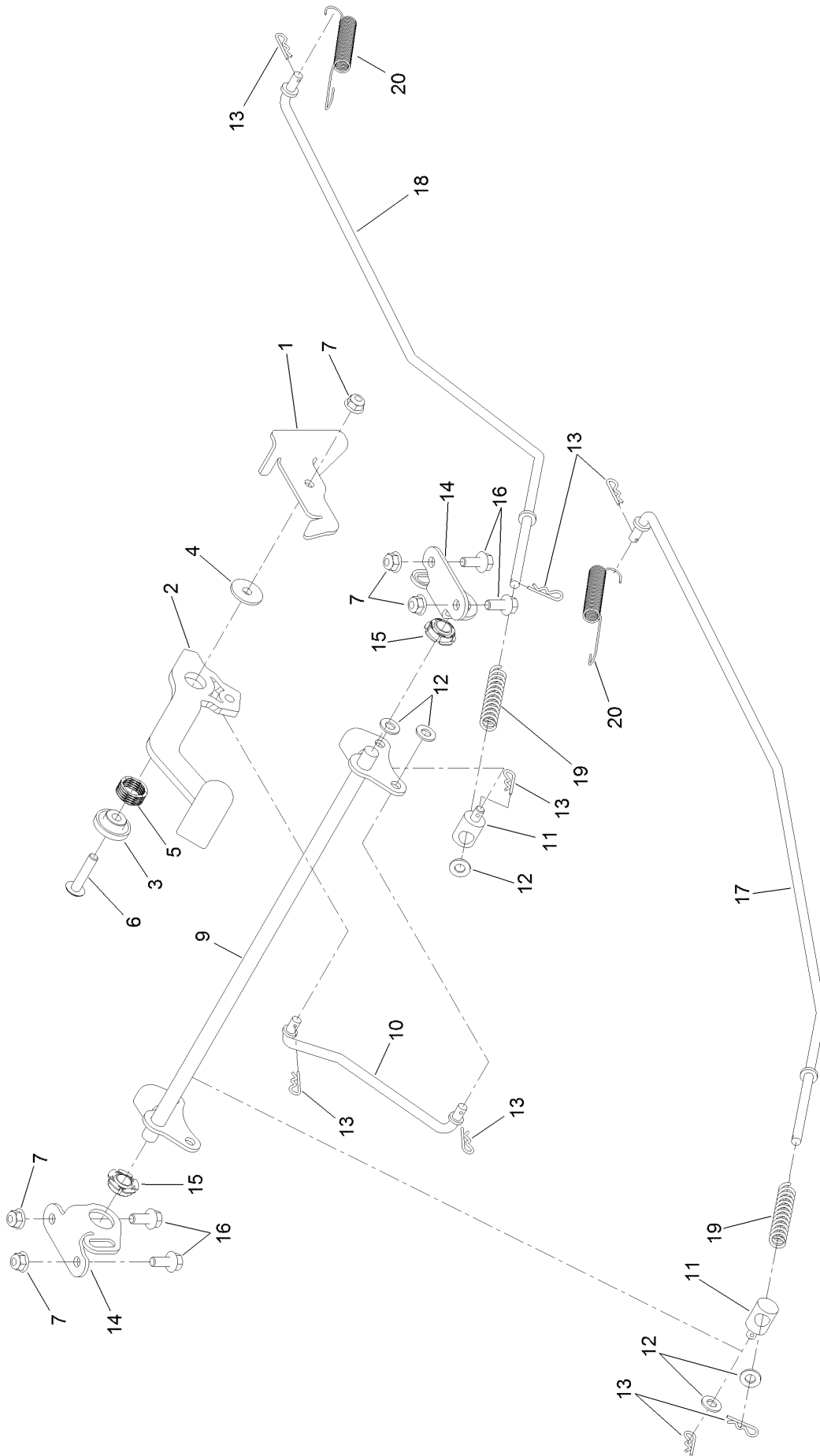


200 = Items Included in Seal Repair Kit

## RH Transaxle Assembly No. 133-4421 (continued)

| <i>Ref.</i> | <i>Part Number</i> | <i>Qty.</i> | <i>Description</i>       | <i>Ref.</i> | <i>Part Number</i> | <i>Qty.</i> | <i>Description</i>           |
|-------------|--------------------|-------------|--------------------------|-------------|--------------------|-------------|------------------------------|
| 1           | 114-8471           | 1           | LH Main Housing Kit      | 82          | 120-7974           | 1           | Gear-11T                     |
| 2           | 114-8472           | 1           | LH Side Cover Kit        | 83          | 104-5329           | 1           | Pin-Jackshaft                |
| 7           | 117-5359           | 16          | Screw-HHF                | 90          | 104-2169           | 1           | Ring-Retaining               |
| 11          | 135-1140           | 1           | Plug-Straight            | 91          | 114-1694           | 1           | Gear-54T                     |
| 23          | 109-3321           | 1           | Element-Oil Filter, HYD  | 92          | 120-7975           | 1           | Spacer                       |
| 30          | 106-8676           | 1           | Seal-Lip                 | 93          | 137-2004           | 1           | Bearing Kit                  |
| 31          | 106-8677           | 1           | Ring-Retaining, External | 95          | 109-8110           | 1           | Input Bearing Kit            |
| 32          | 114-1685           | 1           | Rod-Bypass               | 96          | 130-8478           | 1           | Seal-Lip                     |
| 33          | 106-8679           | 1           | Ring-Retaining, Internal | 97          | 109-5939           | 1           | Hub Kit                      |
| 34          | 107-2490           | 1           | Arm-Bypass               | 102         | 125-0021           | 1           | Handle-Brake                 |
| 35          | 106-8681           | 1           | Ring-Retaining, External | 103         | 131-0906           | 1           | Ring-Retaining, EXT          |
| 40          | 104-5304           | 1           | Swashplate-Trunnion      | 105         | 104-2120           | 3           | Screw                        |
| 41          | 104-5313           | 1           | Seal-Lip                 | 106         | 120-7979           | 1           | Guard-Filter, LH             |
| 42          | 104-2116           | 1           | Stud                     | 111         | 109-3278           | 1           | Adapter-Straight             |
| 43          | 112-9853           | 1           | Puck-Friction            | 130         | 126-3251           | 2           | Tube-Charge                  |
| 55          | 104-5308           | 1           | Spacer                   | 156         | 115-5057           | 1           | Cover-Nut, Axle              |
| 56          | 104-5310           | 1           | Seal-Lip                 | 157         | 130-8486           | 1           | Seal-Gerotor                 |
| 57          | 104-5309           | 1           | Ring-Retaining           | 164         | 121-5745           | 1           | Spacer                       |
| 60          | 112-4154           | 1           | Bearing-Thrust           | 200         | 109-3537           | 1           | Seal Kit                     |
| 64          | 114-1689           | 1           | Motor Cylinder Block Kit | 201         | 137-2012           | 1           | LH Charge Center Section Kit |
| 65          | 94-6922            | 1           | Bearing-Thrust           |             |                    |             |                              |
| 69          | 110-8561           | 1           | Pump Block ASM           | 202         | 114-8464           | 1           | Charge Relief Kit            |
| 70          | 104-5339           | 1           | Washer-Flat              | 203         | 114-8465           | 1           | Charge Kit                   |
| 71          | 104-5340           | 1           | Ring-Retaining           | 207         | 137-2006           | 1           | Fan Pulley Kit               |
| 72          | 131-0905           | 1           | Gear-14T                 | 209         | 114-8467           | 1           | Puller-Hub, 4 Bolt           |
| 73          | 114-1691           | 1           | Shaft-Motor              | 210         | 117-5361           | 1           | Input Shaft Kit              |
| 74          | 104-5360           | 1           | Washer                   | 211         | 117-5362           | 1           | Control Arm Kit              |
| 80          | 119-5541           | 2           | Washer                   | 212         | 114-8470           | 1           | Axle Shaft Kit               |
| 81          | 114-1692           | 1           | Gear-45T                 | 215         | 137-2013           | 1           | Brake Shaft Kit              |

# Parking Brake Assembly

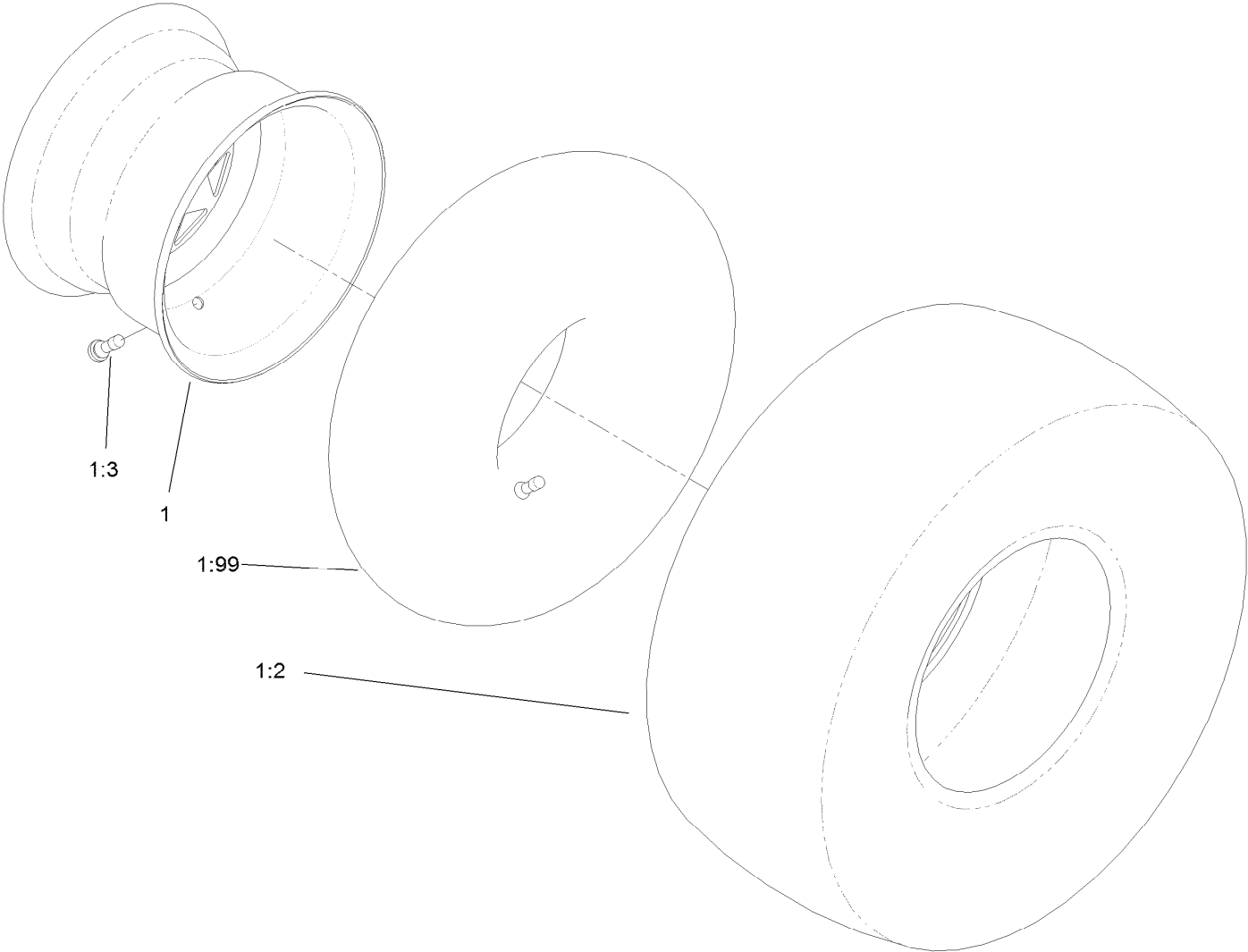




## Parking Brake Assembly (continued)

| <i>Ref.</i> | <i>Part Number</i> | <i>Qty.</i> | <i>Description</i>      | <i>Ref.</i> | <i>Part Number</i> | <i>Qty.</i> | <i>Description</i>       |
|-------------|--------------------|-------------|-------------------------|-------------|--------------------|-------------|--------------------------|
| 1           | 136-5554           | 1           | Detent-Brake            | 12          | 3256-23            | 5           | Washer-Plain             |
| 2           | 136-7476           | 1           | Lever-Brake             | 13          | 3290-307           | 8           | Pin-Cotter               |
| 3           | 136-5648           | 1           | Bushing-Flange          | 14          | 133-9341-03        | 2           | Plate-Support, Bellcrank |
| 4           | 136-5647           | 1           | Bushing-Brake, Flanged  | 15          | 136-7469           | 2           | Bearing-Spherical        |
| 5           | 126-8220           | 1           | Spring-Wave             | 16          | 3234-47            | 4           | Screw-HHF                |
| 6           | 126-7439           | 1           | Screw-Torx              | 17          | 133-9343           | 1           | Rod-Brake, RH            |
| 7           | 104-8300           | 5           | Nut-HF, NI              | 18          | 133-9344           | 1           | Rod-Brake, LH            |
| 9           | 133-9338           | 1           | Bellcrank-Brake         | 19          | 1-603807           | 2           | Spring-Return, Neutral   |
| 10          | 133-9342           | 1           | Rod-Brake, Intermediate | 20          | 110769             | 2           | Spring-Extension         |
| 11          | 115-9681           | 2           | Fitting-Rod             |             |                    |             |                          |

# Rear Tire and Wheel Assembly

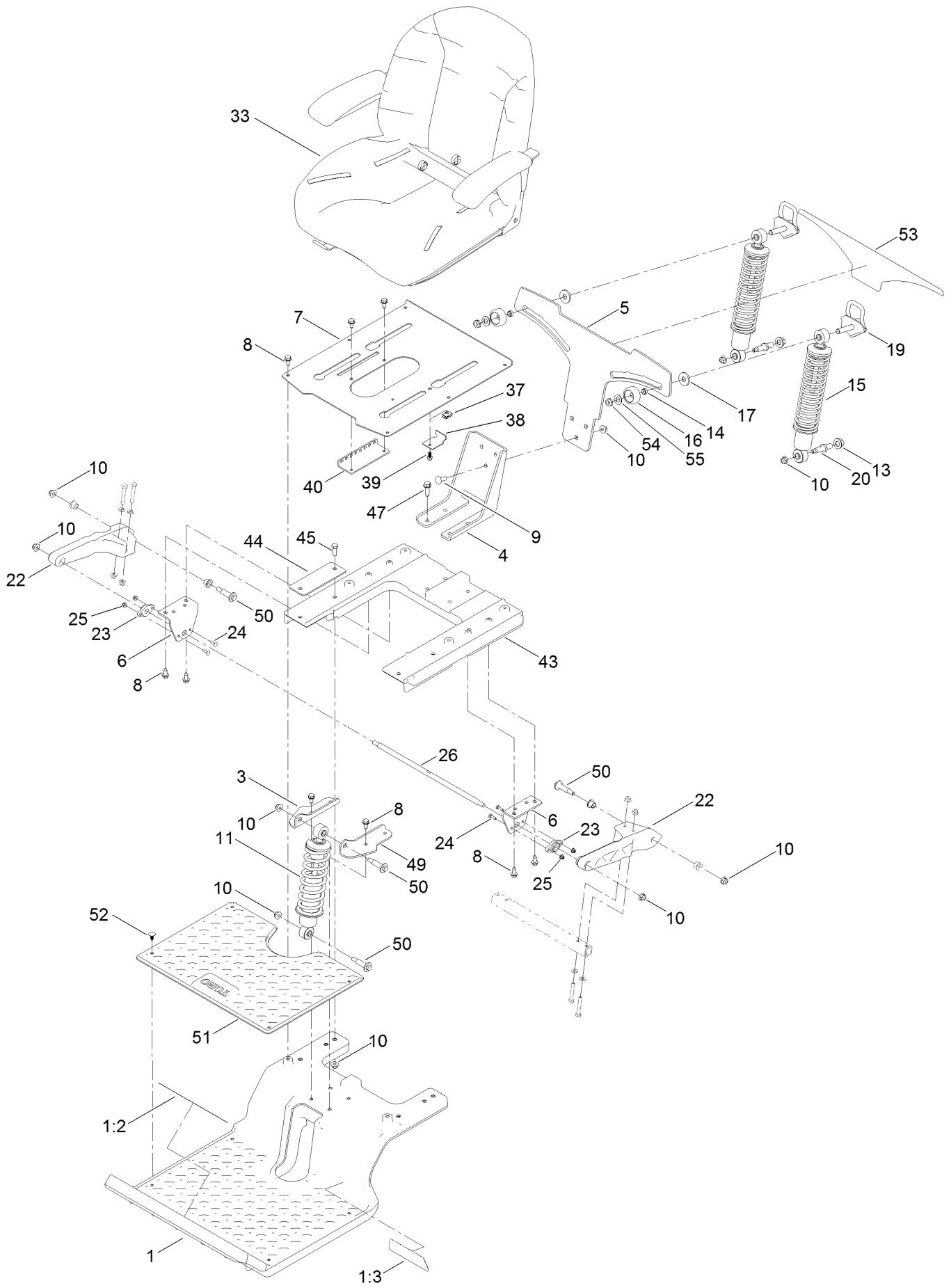


## Rear Tire and Wheel Assembly (continued)

| <i>Ref.</i> | <i>Part Number</i> | <i>Qty.</i> | <i>Description</i> | <i>Ref.</i> | <i>Part Number</i> | <i>Qty.</i> | <i>Description</i> |
|-------------|--------------------|-------------|--------------------|-------------|--------------------|-------------|--------------------|
| 1           | 127-3449           | 2           | Tire And Wheel ASM | 1:3         | 232-27             | 1           | Stem-Valve         |
| 1:2         | 125-1821           | 1           | Tire               | 1:99        | 105-4070           | 1           | Tube-Inner ●       |

● Optional Equipment

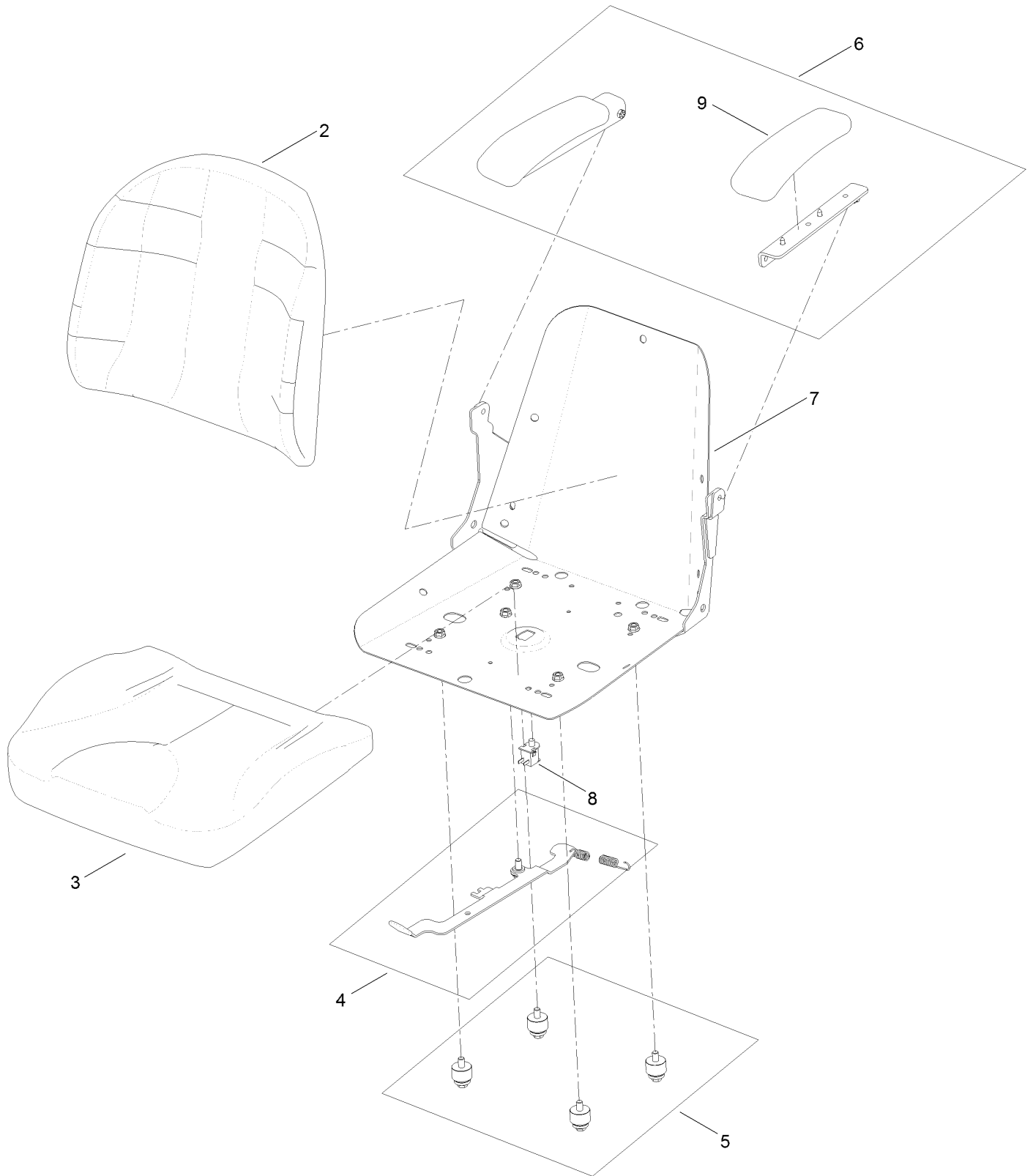
# Seat Pan Assembly



## Seat Pan Assembly (continued)

| <i>Ref.</i> | <i>Part Number</i> | <i>Qty.</i> | <i>Description</i>                 | <i>Ref.</i> | <i>Part Number</i> | <i>Qty.</i> | <i>Description</i>                 |
|-------------|--------------------|-------------|------------------------------------|-------------|--------------------|-------------|------------------------------------|
| 1           | 136-9191           | 1           | Subframe-Front                     | 23          | 127-0146           | 2           | Bearing-Flange                     |
| 1:2         | 132-0869           | 1           | Decal-Danger                       | 24          | 3229-20            | 4           | Screw-CARR                         |
| 1:3         | 136-7470           | 1           | Decal                              | 25          | 120-4578           | 4           | Nut-HF                             |
| 3           | 133-9319-03        | 1           | Bracket-Shock Mount,<br>Upper (RH) | 26          | 137-1968           | 1           | Rod-Pivot                          |
| 4           | 133-4442-03        | 1           | Bracket-Mount, Lower               | 33          | 139-2367           | 1           | Seat ASM                           |
| 5           | 133-4462-03        | 1           | Bracket-Mounting, Shock            | 37          | 107069             | 1           | Clip                               |
| 6           | 137-1967-03        | 2           | Bracket-Mount, Swing Arm           | 38          | 131-1038           | 1           | Bracket-Stop, Seat                 |
| 7           | 133-7029-03        | 1           | Pan-Seat                           | 39          | 99-6810            | 1           | Screw-HHF                          |
| 8           | 32144-70           | 16          | Screw-HWHTF                        | 40          | 131-4008-03        | 1           | Bracket-Latch, Seat                |
| 9           | 3231-22            | 3           | Screw-CARR                         | 43          | 137-7031           | 1           | Subframe-Rear                      |
| 10          | 104-8301           | 15          | Nut-HF, NI                         | 44          | 133-7089-03        | 2           | Plate-Backer                       |
| 11          | 131-4651           | 1           | Shock ASM                          | 45          | 323-6              | 4           | Screw-HH                           |
| 13          | 99-5107            | 2           | Nut-Lock                           | 47          | 32144-109          | 4           | Screw-Thd                          |
| 14          | 133-5109           | 2           | Bearing-Sleeve                     | 49          | 133-9318-03        | 1           | Bracket-Shock Mount,<br>Upper (LH) |
| 15          | 133-5154           | 2           | Shock/Spring ASM                   | 50          | 136-7198           | 4           | Bolt-Shoulder                      |
| 16          | 136-5636           | 2           | Knob-Lock, Cam                     | 51          | 133-5190           | 1           | Floormat                           |
| 17          | 131-4699           | 2           | Washer-Plastic                     | 52          | 117-2382           | 4           | Plug-Plastic                       |
| 19          | 133-5105           | 2           | Cam Lock ASM                       | 53          | 133-5198           | 1           | Decal-Adjustment, Ride             |
| 20          | 133-4401           | 2           | Bolt-Shoulder                      | 54          | 3296-45            | 2           | Nut-Hex                            |
| 22          | 136-8979           | 2           | Trailing Arm                       | 55          | 3-6803             | 2           | Washer-Adjusting                   |

# Seat Assembly No. 139-2367

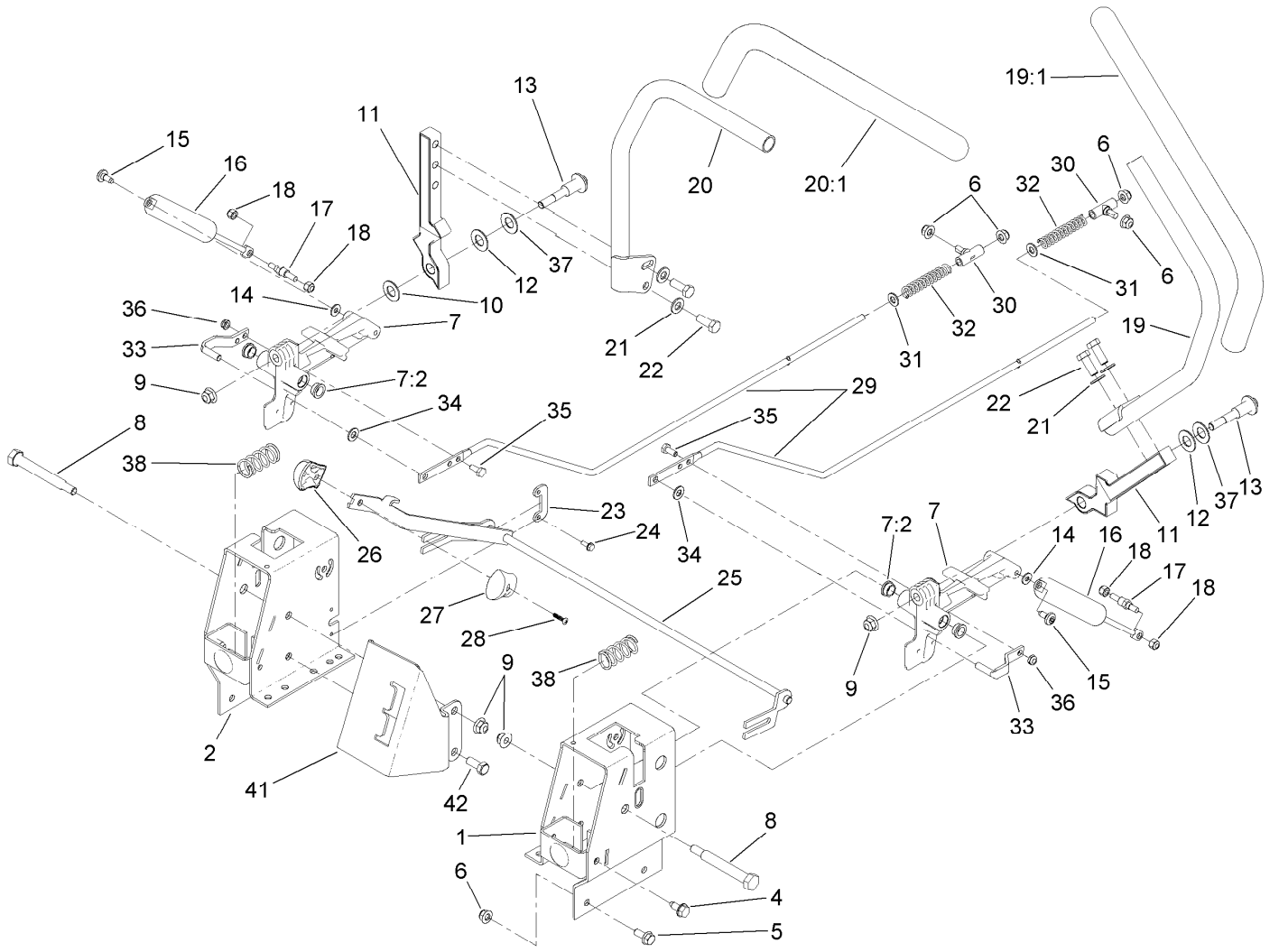


## Seat Assembly No. 139-2367 (continued)

| <i>Ref.</i> | <i>Part Number</i> | <i>Qty.</i> | <i>Description</i>   |
|-------------|--------------------|-------------|----------------------|
| 2           | 137-5005           | 1           | Cushion-Seat, Back   |
| 3           | 137-5006           | 1           | Custion-Seat, Bottom |
| 4           | 131-4153           | 1           | Track ASM            |
| 5           | 131-4154           | 1           | Bushing ASM          |

| <i>Ref.</i> | <i>Part Number</i> | <i>Qty.</i> | <i>Description</i> |
|-------------|--------------------|-------------|--------------------|
| 6           | 131-4155           | 1           | Armrest Kit        |
| 7           | 131-4156           | 1           | Shell              |
| 8           | 82-2190            | 1           | Switch-Bail        |
| 9           | 110-4163           | 2           | Cushion-Rest, Arm  |

# Motion Control Assembly

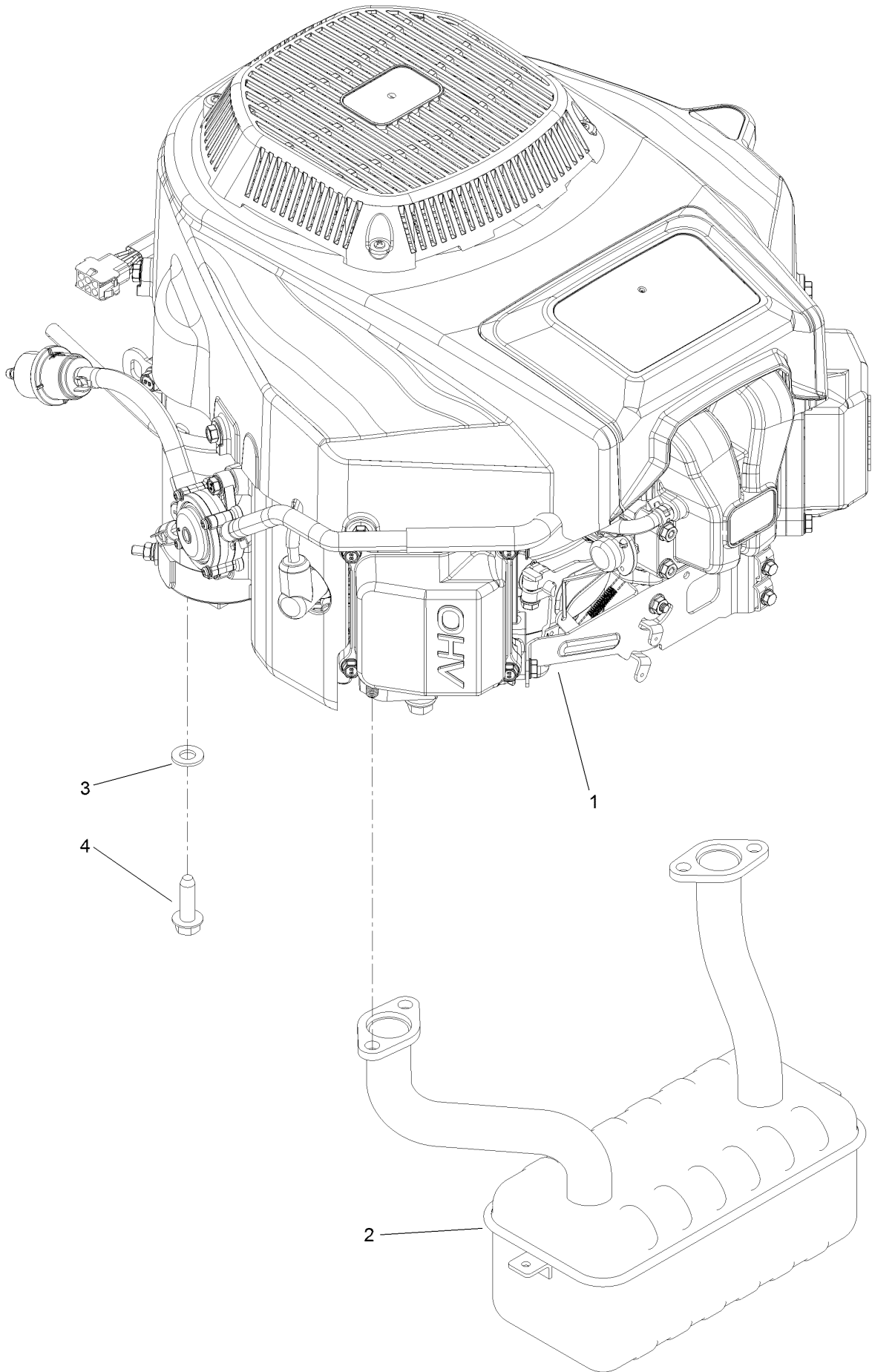




## Motion Control Assembly (continued)

| <i>Ref.</i> | <i>Part Number</i> | <i>Qty.</i> | <i>Description</i> | <i>Ref.</i> | <i>Part Number</i> | <i>Qty.</i> | <i>Description</i>     |
|-------------|--------------------|-------------|--------------------|-------------|--------------------|-------------|------------------------|
| 1           | 136-5614-03        | 1           | Box-Control, LH    | 20:1        | 121-0726           | 1           | Grip                   |
| 2           | 136-5613-03        | 1           | Box-Control, RH    | 21          | 3256-24            | 4           | Washer-Flat            |
| 4           | 32144-70           | 2           | Screw-HWHTF        | 22          | 323-6              | 4           | Screw-HH               |
| 5           | 3234-47            | 8           | Screw-HHF          | 23          | 117-5385           | 2           | Retainer               |
| 6           | 104-8300           | 12          | Nut-HF, NI         | 24          | 32144-1            | 4           | Screw-Taptite          |
| 7           | 119-3470           | 2           | Actuator Arm ASM   | 25          | 133-5165           | 1           | Control-Speed          |
| 7:2         | 256-156            | 2           | Bushing-Flange     | 26          | 132-9368           | 1           | Knob-RH                |
| 8           | 115-5099           | 2           | Bolt-Pivot         | 27          | 132-9369           | 1           | Knob-LH                |
| 9           | 104-8301           | 5           | Nut-HF, NI         | 28          | 94-4496            | 1           | Screw-PPH              |
| 10          | 120-2273           | 2           | Washer-Nylon       | 29          | 117-5388           | 2           | Rod-Hydro              |
| 11          | 136-5570-05        | 2           | Arm-Control        | 30          | 119-8842           | 2           | Mount-Rod, Hydro       |
| 12          | 117-1240           | 2           | Washer             | 31          | 3256-23            | 2           | Washer-Plain           |
| 13          | 117-1198           | 2           | Bolt-Pivot         | 32          | 1-603807           | 2           | Spring-Return, Neutral |
| 14          | 119-8952           | 2           | Washer             | 33          | 121-1753           | 2           | Pin-Rod, Hydro         |
| 15          | 120-7950           | 2           | Screw-Torx         | 34          | 93-6079            | 2           | Spacer-Nylon           |
| 16          | 131-0964           | 2           | Damper             | 35          | 321-3              | 2           | Screw-HH               |
| 17          | 110-6810           | 2           | Stud-Damper        | 36          | 3296-56            | 2           | Nut-Lock, NI           |
| 18          | 3296-42            | 4           | Nut-Lock, NI       | 37          | 119-8925           | 2           | Washer-Belleville      |
| 19          | 133-7055           | 1           | Handle-Control, LH | 38          | 119-8876           | 2           | Spring-Return          |
| 19:1        | 121-0726           | 1           | Grip               | 41          | 136-2751-03        | 1           | Gate-Control, Speed    |
| 20          | 133-7057           | 1           | Handle-Control, RH | 42          | 323-5              | 1           | Screw-HH               |

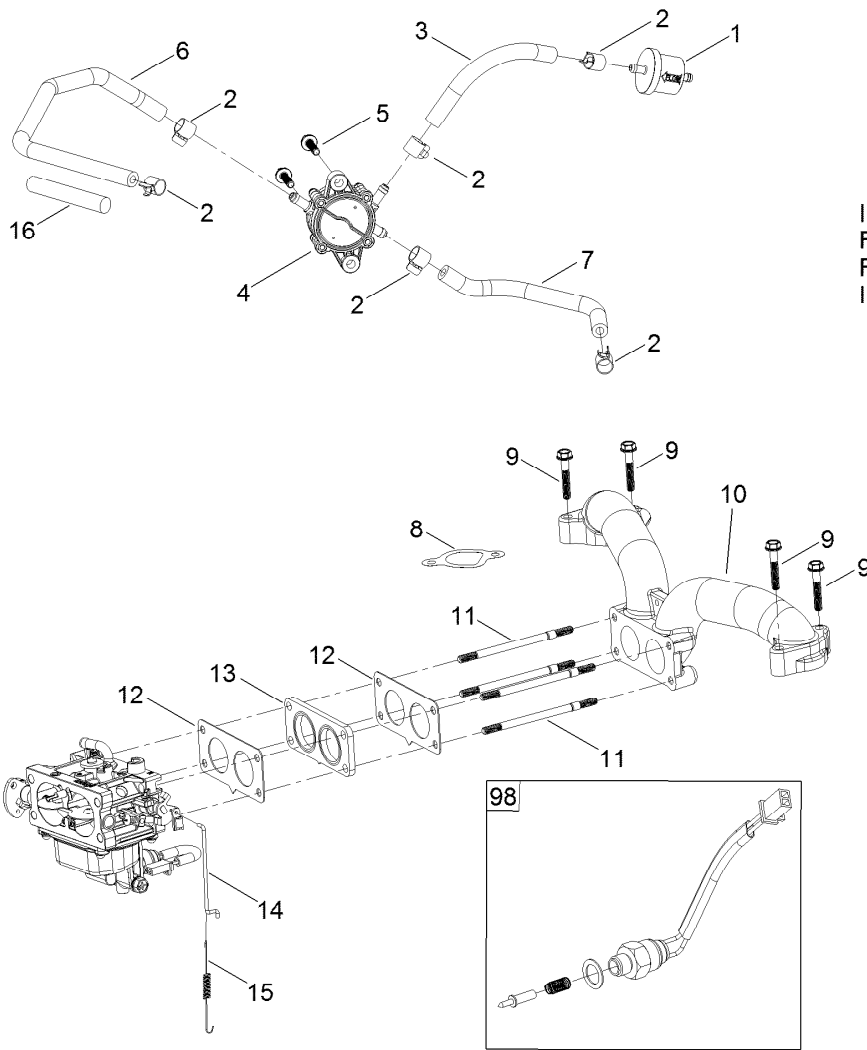
# Engine Assembly



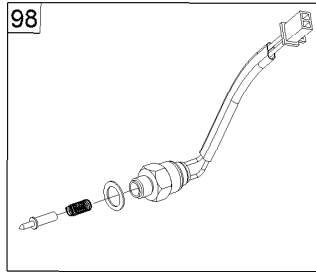
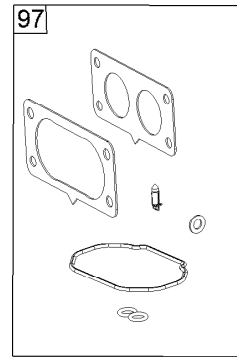
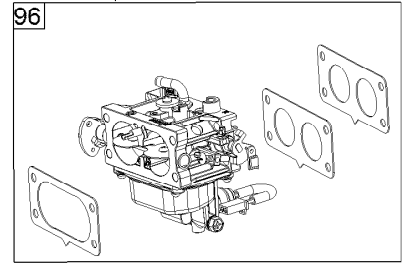
## Engine Assembly (continued)

| <i>Ref.</i> | <i>Part Number</i> | <i>Qty.</i> | <i>Description</i> | <i>Ref.</i> | <i>Part Number</i> | <i>Qty.</i> | <i>Description</i> |
|-------------|--------------------|-------------|--------------------|-------------|--------------------|-------------|--------------------|
| 1           | 136-7813           | 1           | Engine-2P77F       | 3           | 3256-24            | 4           | Washer-Flat        |
| 2           | 130-6851           | 1           | Muffler            | 4           | 32144-109          | 4           | Screw-Thd          |

# Fuel System Assembly



IF EQUIPPED WITH CANISTER TYPE AIR FILTER REFER TO KIT MODEL 136-7860 FOR CARBURETOR ASSEMBLY AND INTERNAL CARBURETOR PARTS

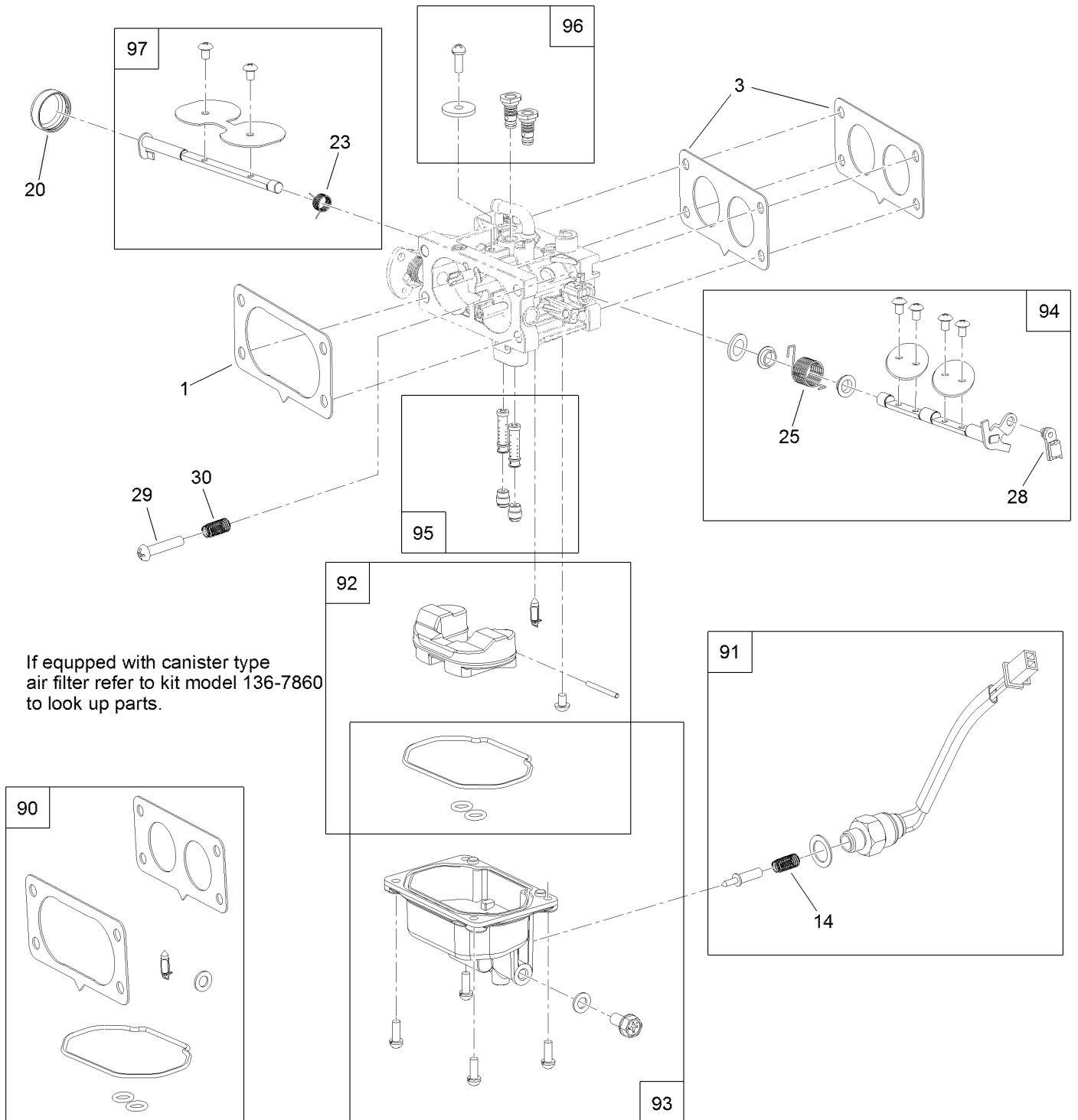


## Fuel System Assembly (continued)

| <i>Ref.</i> | <i>Part Number</i> | <i>Qty.</i> | <i>Description</i> | <i>Ref.</i> | <i>Part Number</i> | <i>Qty.</i> | <i>Description</i>         |
|-------------|--------------------|-------------|--------------------|-------------|--------------------|-------------|----------------------------|
| 1           | 133-1563           | 1           | Filter-Fuel        | 11          | 127-9245           | 4           | Stud                       |
| 2           | 120-4251           | 6           | Clamp-Fuel Line    | 12          | 127-9246           | 2           | Gasket-Carburetor          |
| 3           | 120-4371           | 1           | Line-Fuel          | 13          | 127-9247           | 1           | Insulator-Carburetor       |
| 4           | 127-9206           | 1           | Pump-Fuel          | 14          | 133-9963           | 1           | Linkage-Throttle           |
| 5           | 120-4225           | 2           | Screw-HHF          | 15          | 133-9964           | 1           | Spring-Return, Throttle    |
| 6           | 127-9205           | 1           | Hose-Fuel          | 16          | 127-9355           | 1           | Sleeve-Fuel Line Protector |
| 7           | 127-9207           | 1           | Hose-Fuel          | 96          | 133-9966           | 1           | Carburetor Replacement Kit |
| 8           | 127-9230           | 2           | Gasket-Intake      | 97          | 127-9290           | 1           | Carburetor Repair Kit      |
| 9           | 120-4284           | 4           | Screw-HHF          | 98          | 127-9292           | 1           | Solenoid Kit               |
| 10          | 127-9244           | 1           | Manifold-Intake    | 99          | 133-9968           | 1           | High Altitude Kit ●        |

● Not illustrated

# Carburetor Assembly with Non-Canister Style Air Filter

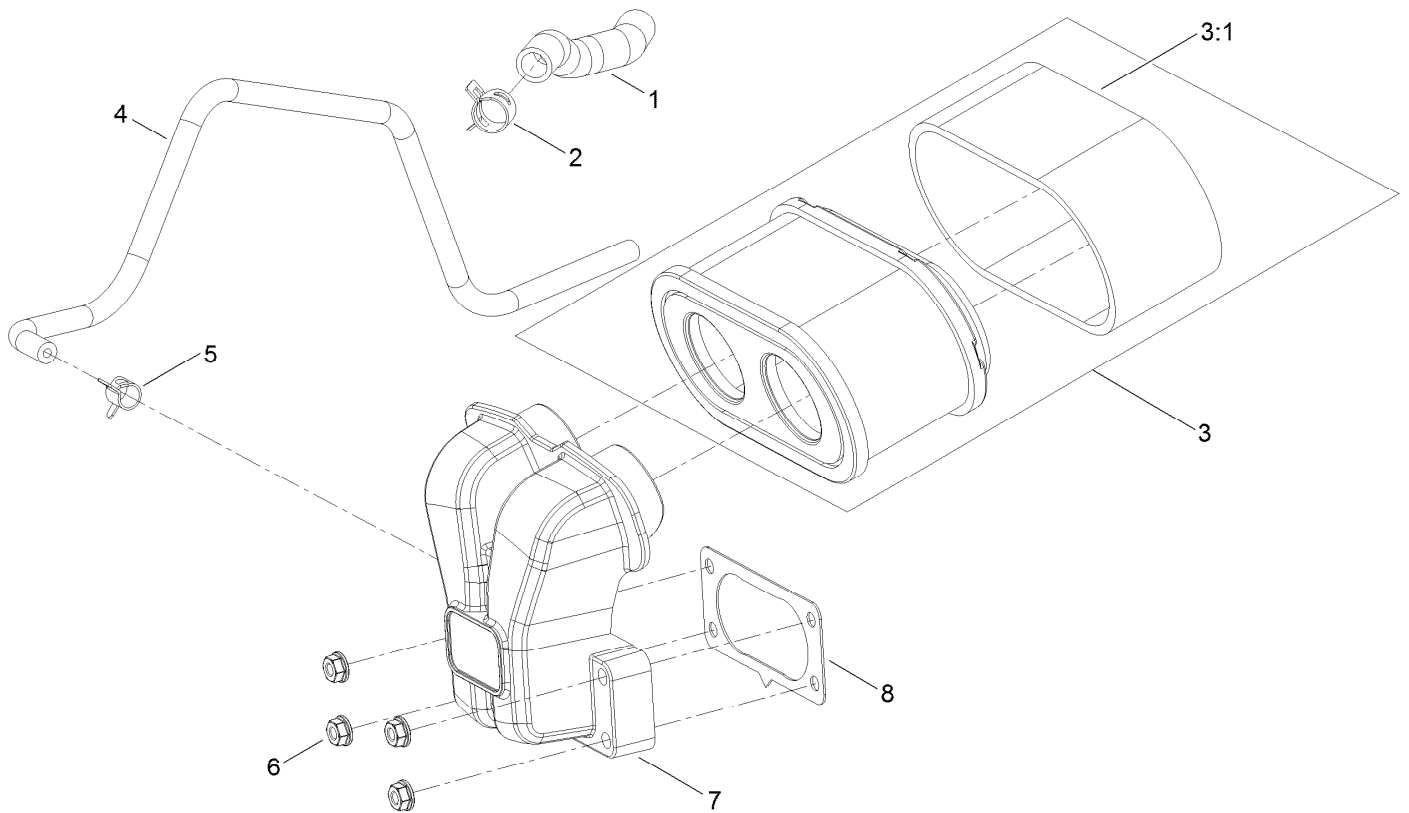


## Carburetor Assembly with Non-Canister Style Air Filter (continued)

| <i>Ref.</i> | <i>Part Number</i> | <i>Qty.</i> | <i>Description</i> | <i>Ref.</i> | <i>Part Number</i> | <i>Qty.</i> | <i>Description</i>    |
|-------------|--------------------|-------------|--------------------|-------------|--------------------|-------------|-----------------------|
| 1           | 127-9251           | 1           | Gasket-Carburetor  | 90          | 127-9290           | 1           | Carburetor Repair Kit |
| 3           | 127-9246           | 2           | Gasket-Carburetor  | 91          | 127-9292           | 1           | Solenoid Kit          |
| 14          | 127-9319           | 1           | Spring             | 92          | 127-9340           | 1           | Float Kit             |
| 20          | 127-9325           | 1           | Cover-Shaft, Choke | 93          | 127-9341           | 1           | Bowl Kit              |
| 23          | 127-9328           | 1           | Spring             | 94          | 133-9960           | 1           | Throttle Shaft Kit    |
| 25          | 133-9957           | 1           | Spring             | 95          | 133-9959           | 1           | Nozzle And Jet Kit    |
| 28          | 127-9333           | 1           | Clamp-Lock         | 96          | 133-9958           | 1           | Air Jet Kit           |
| 29          | 127-9334           | 1           | Screw-PPH          | 97          | 127-9345           | 1           | Choke Shaft Kit       |
| 30          | 127-9335           | 1           | Spring             |             |                    |             |                       |

# Air Intake and Filtration Assembly

IF EQUIPPED WITH CANISTER TYPE AIR FILTER  
REFER TO KIT MODEL 136-7860 TO LOOK UP PARTS

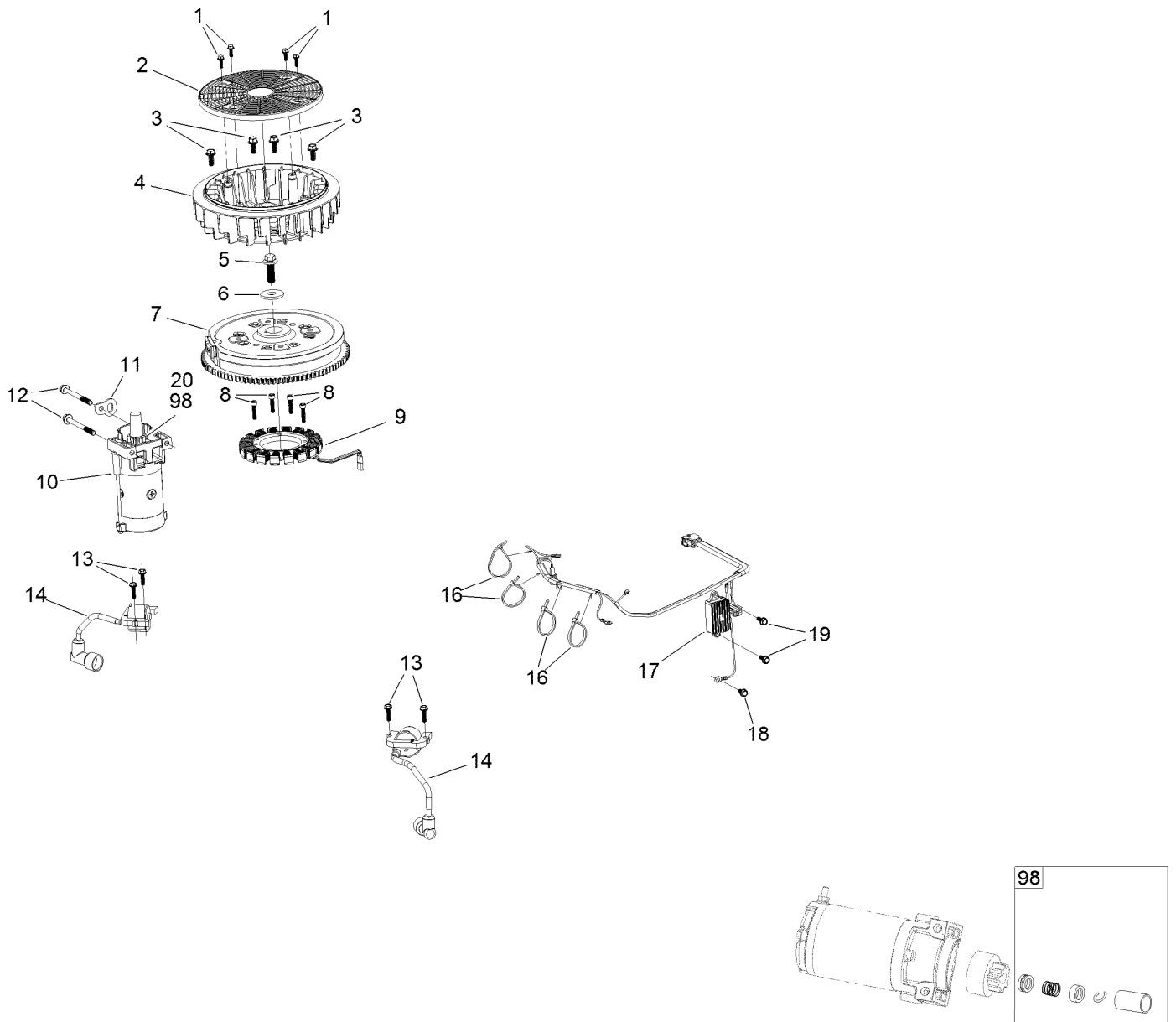




## Air Intake and Filtration Assembly (continued)

| <i>Ref.</i> | <i>Part Number</i> | <i>Qty.</i> | <i>Description</i> | <i>Ref.</i> | <i>Part Number</i> | <i>Qty.</i> | <i>Description</i>   |
|-------------|--------------------|-------------|--------------------|-------------|--------------------|-------------|----------------------|
| 1           | 127-9235           | 1           | Tube-Breather      | 5           | 127-9187           | 1           | Clamp-Hose           |
| 2           | 127-9234           | 2           | Clamp-Hose         | 6           | 120-4236           | 4           | Nut-Flange           |
| 3           | 136-7806           | 1           | Air Filter Kit     | 7           | 127-9047           | 1           | Manifold-Filter, Air |
| 3:1         | 136-7804           | 1           | Prefilter          | 8           | 127-9251           | 1           | Gasket-Carburetor    |
| 4           | 127-9253           | 1           | Hose-Fuel          |             |                    |             |                      |

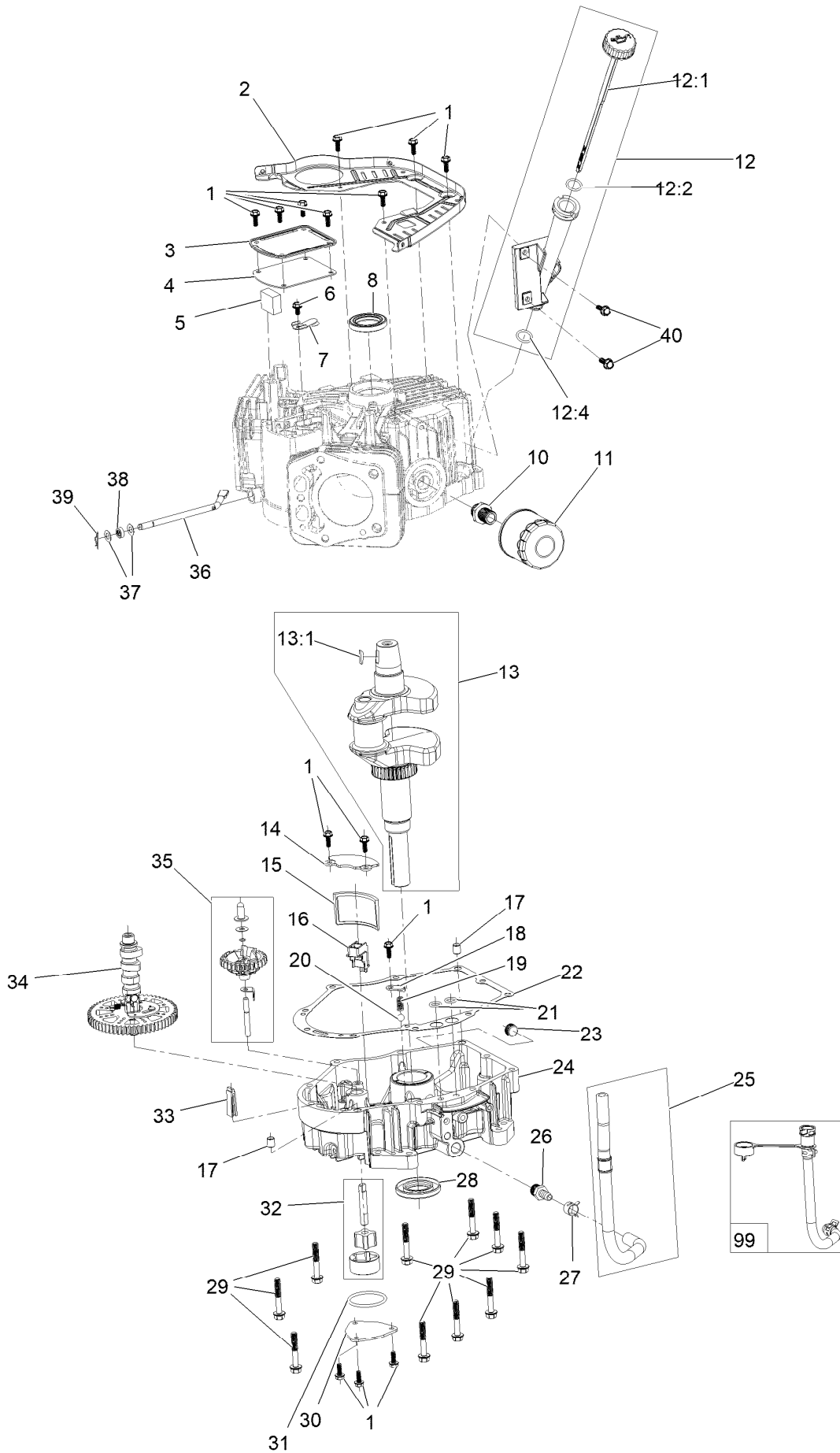
# Ignition and Cooling Fan



## Ignition and Cooling Fan (continued)

| <i>Ref.</i> | <i>Part Number</i> | <i>Qty.</i> | <i>Description</i> | <i>Ref.</i> | <i>Part Number</i> | <i>Qty.</i> | <i>Description</i>              |
|-------------|--------------------|-------------|--------------------|-------------|--------------------|-------------|---------------------------------|
| 1           | 127-9197           | 4           | Screw-HWH          | 12          | 120-4231           | 2           | Screw-HHF                       |
| 2           | 127-9198           | 1           | Screen-Rotating    | 13          | 121-0007           | 4           | Bolt-Flange                     |
| 3           | 127-9199           | 4           | Screw-HWH          | 14          | 136-7883           | 2           | Ignition Coil ASM               |
| 4           | 127-9200           | 1           | Fan-Cooling        | 16          | 127-9220           | 4           | Tie-Zip                         |
| 5           | 127-9201           | 1           | Screw-HWH          | 17          | 136-7879           | 1           | Regulator-Voltage,<br>W/Harness |
| 6           | 127-9202           | 1           | Washer-Spring      | 18          | 120-4216           | 1           | Screw-HHF                       |
| 7           | 127-9306           | 1           | Flywheel           | 19          | 120-4232           | 2           | Screw-HHF                       |
| 8           | 127-9210           | 4           | Screw-HSH          | 20          | 133-1562           | 1           | Pinion-Starter                  |
| 9           | 136-7876           | 1           | Alternator         | 98          | 133-1566           | 1           | Starter Repair Kit              |
| 10          | 136-7880           | 1           | Motor-Starter      |             |                    |             |                                 |
| 11          | 127-9208           | 1           | Bracket-Lift       |             |                    |             |                                 |

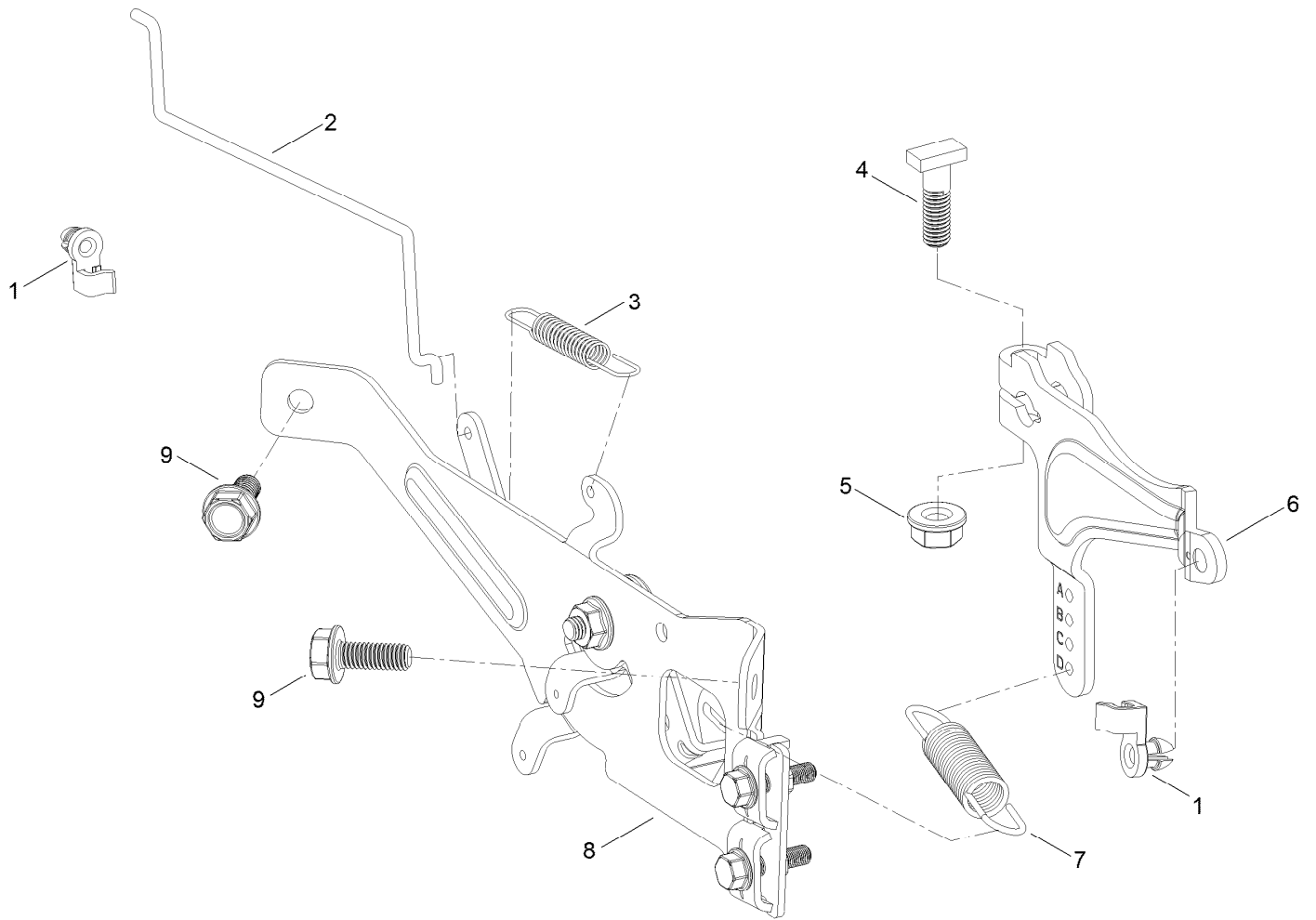
# Crankcase and Crankshaft Assembly



## Crankcase and Crankshaft Assembly (continued)

| <i>Ref.</i> | <i>Part Number</i> | <i>Qty.</i> | <i>Description</i>  | <i>Ref.</i> | <i>Part Number</i> | <i>Qty.</i> | <i>Description</i>      |
|-------------|--------------------|-------------|---------------------|-------------|--------------------|-------------|-------------------------|
| 1           | 120-4232           | 14          | Screw-HHF           | 20          | 127-9266           | 1           | Valve-Ball              |
| 2           | 127-9212           | 1           | Baffle              | 21          | 120-4262           | 2           | O-Ring                  |
| 3           | 127-9213           | 1           | Cover-Breather      | 22          | 127-9267           | 1           | Gasket-Cover, Crankcase |
| 4           | 127-9214           | 1           | Gasket-Breather     | 23          | 133-9805           | 1           | Plug-Drain              |
| 5           | 127-9215           | 1           | Filter-Breather     | 24          | 133-9806           | 1           | Cover-Crankcase         |
| 6           | 120-4216           | 1           | Screw-HHF           | 25          | 127-9293           | 1           | Oil Drain Hose ASM      |
| 7           | 127-9217           | 1           | Valve-Breather      | 26          | 127-9275           | 1           | Fitting-Hose            |
| 8           | 120-4267           | 1           | Seal-Oil            | 27          | 127-9276           | 1           | Clamp-Hose              |
| 10          | 136-7884           | 1           | Adaptor-Filter, Oil | 28          | 127-9271           | 1           | Seal                    |
| 11          | 136-7848           | 1           | Filter-Oil          | 29          | 121-0473           | 10          | Screw-HHF               |
| 12          | 127-9218           | 1           | Oil Tube ASM        | 30          | 127-9274           | 1           | Cover-Oil Pump          |
| 12:1        | 127-9283           | 1           | Dipstick            | 31          | 127-9273           | 1           | O-Ring                  |
| 12:2        | 127-9284           | 1           | O-Ring              | 32          | 127-9272           | 1           | Oil Pump ASM            |
| 12:4        | 127-9286           | 1           | O-Ring              | 33          | 120-4275           | 1           | Deflector-Oil, Rubber   |
| 13          | 127-9255           | 1           | Crankshaft          | 34          | 133-1568           | 1           | Camshaft                |
| 13:1        | 120-4320           | 1           | Key-Woodruff        | 35          | 136-7882           | 1           | Governor ASM            |
| 14          | 127-9261           | 1           | Cover-Screen, Oil   | 36          | 127-9238           | 1           | Shaft-Governor          |
| 15          | 127-9262           | 1           | Screen-Oil          | 37          | 120-4258           | 2           | Washer-Plain            |
| 16          | 127-9263           | 1           | Retainer-Screen     | 38          | 120-4257           | 1           | Seal-Oil                |
| 17          | 120-4274           | 2           | Pin-Dowel           | 39          | 120-4256           | 1           | Pin-Hair                |
| 18          | 127-9264           | 1           | Plate-Retainer      | 40          | 120-4232           | 2           | Screw-HHF               |
| 19          | 127-9265           | 1           | Spring              | 99          | 144-0976           | 1           | Oil Drain Service Kit   |

# Governor Control Assembly



## Governor Control Assembly (continued)

| <i>Ref.</i> | <i>Part Number</i> | <i>Qty.</i> | <i>Description</i> | <i>Ref.</i> | <i>Part Number</i> | <i>Qty.</i> | <i>Description</i> |
|-------------|--------------------|-------------|--------------------|-------------|--------------------|-------------|--------------------|
| 1           | 127-9250           | 2           | Clip-Linkage       | 6           | 133-9961           | 1           | Arm-Governor       |
| 2           | 127-9242           | 1           | Linkage-Choke      | 7           | 133-9962           | 1           | Spring-Governor    |
| 3           | 127-9241           | 1           | Spring-Governor    | 8           | 133-1570           | 1           | Control Plate ASM  |
| 4           | 120-4238           | 1           | Bolt-Arm, Governor | 9           | 120-4232           | 2           | Screw-HHF          |
| 5           | 120-4236           | 1           | Nut-Flange         |             |                    |             |                    |

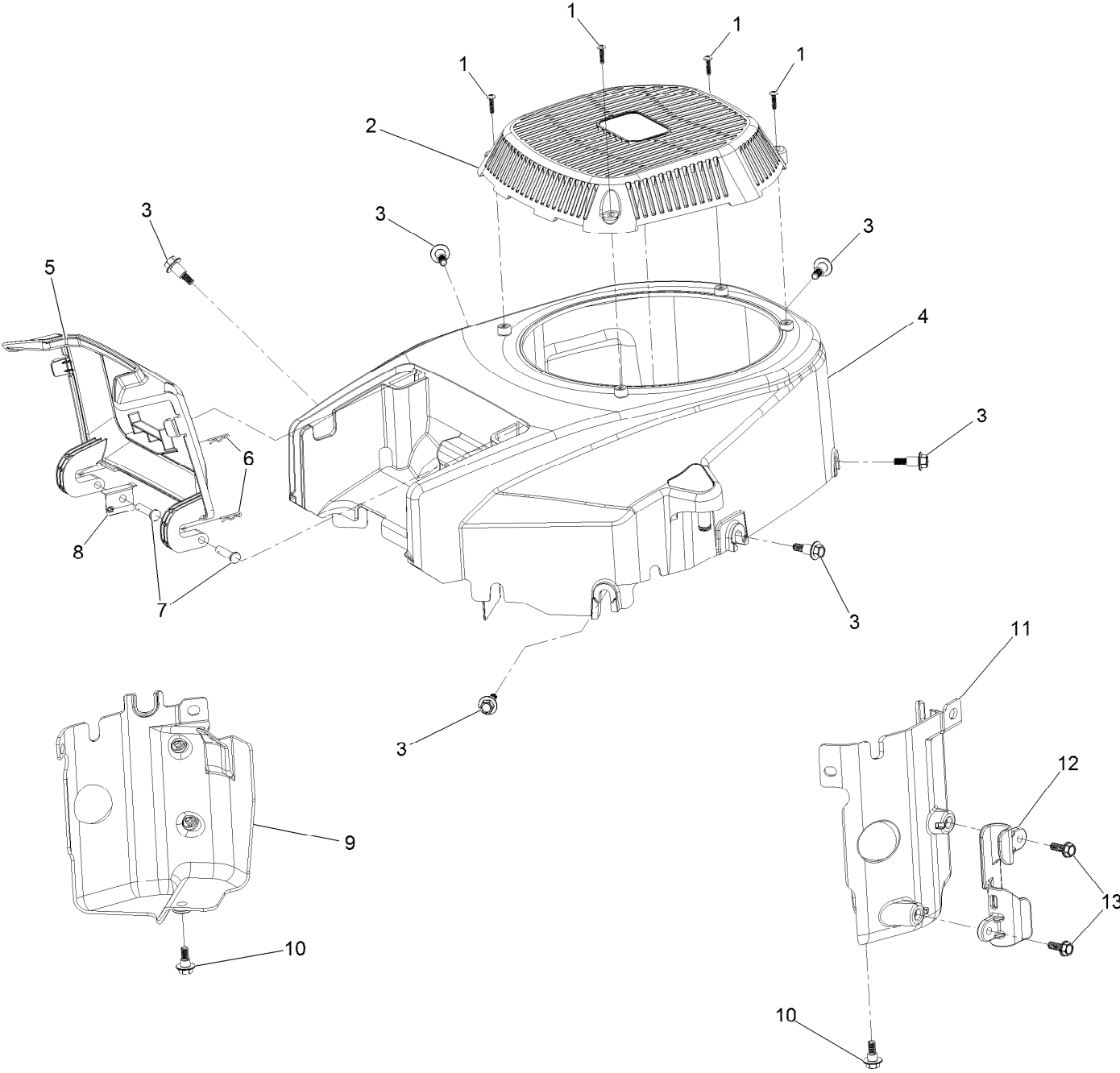




## Piston and Cylinder Head Assembly (continued)

| <i>Ref.</i> | <i>Part Number</i> | <i>Qty.</i> | <i>Description</i>    | <i>Ref.</i> | <i>Part Number</i> | <i>Qty.</i> | <i>Description</i>      |
|-------------|--------------------|-------------|-----------------------|-------------|--------------------|-------------|-------------------------|
| 1           | 127-9256           | 2           | Connecting Rod ASM    | 17          | 81-3250            | 2           | Spark Plug              |
| 2           | 127-9258           | 4           | Clip-Pin, Piston      | 18          | 127-9231           | 6           | Screw-HWH               |
| 3           | 127-9257           | 2           | Pin-Piston            | 19          | 127-9232           | 4           | Screw-HWH               |
| 4           | 127-9259           | 2           | Piston                | 20          | 120-4303           | 4           | Seat-Spring, Valve      |
| 5           | 127-9260           | 2           | Piston Ring Set       | 21          | 120-4304           | 4           | Seal-Stem, Valve        |
| 6           | 127-9224           | 4           | Lifter-Valve          | 22          | 120-4305           | 4           | Spring-Valve            |
| 7           | 127-9225           | 4           | Rod-Push              | 23          | 120-4306           | 4           | Retainer-Spring, Valve  |
| 8           | 127-9226           | 2           | Gasket-Head, Cylinder | 24          | 120-4307           | 8           | Keeper-Valve            |
| 9           | 127-9227           | 4           | Pin-Dowel             | 25          | 127-9233           | 2           | Plate-Guide, Push Rod   |
| 10          | 127-9228           | 2           | Valve Set             | 26          | 136-7881           | 4           | Rocker Arm ASM          |
| 11          | 133-9802           | 1           | Head-Cylinder, Right  | 27          | 127-9295           | 2           | Gasket-Valve Cover      |
| 12          | 133-9804           | 1           | Head-Cylinder, Left   | 28          | 127-9050           | 2           | Cover-Valve             |
| 13          | 121-0464           | 4           | Stud-Exhaust          | 29          | 120-4225           | 8           | Screw-HHF               |
| 14          | 120-4317           | 2           | Gasket-Exhaust        | 30          | 120-4214           | 1           | Screw-Shoulder, HH      |
| 15          | 127-9279           | 4           | Washer-Lock, Split    | 31          | 136-7891           | 1           | Complete Right Head ASM |
| 16          | 121-0199           | 4           | Nut-HH                | 32          | 136-7892           | 1           | Complete Left Head ASM  |

# Blower Housing Assembly

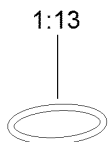
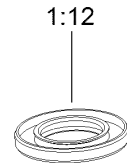
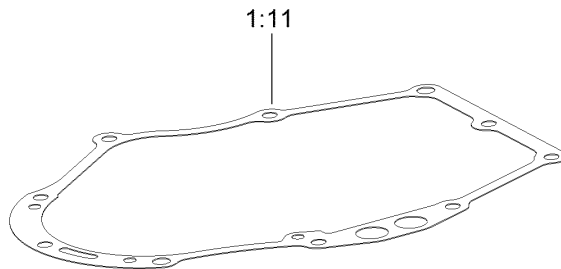
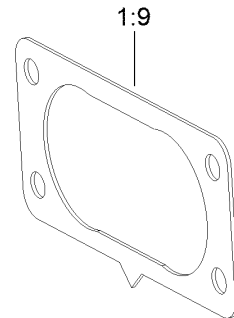
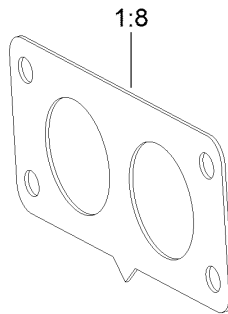
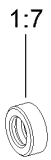
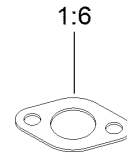
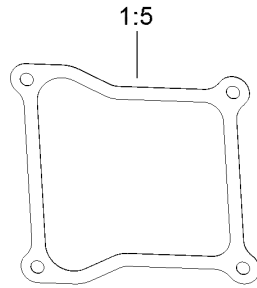
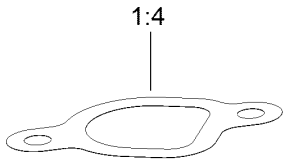
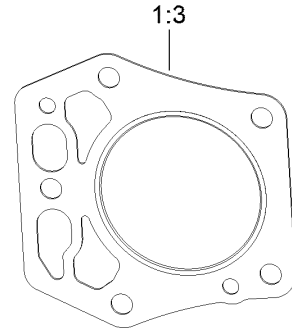
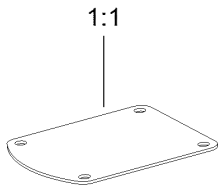


## Blower Housing Assembly (continued)

| <i>Ref.</i> | <i>Part Number</i> | <i>Qty.</i> | <i>Description</i>  | <i>Ref.</i> | <i>Part Number</i> | <i>Qty.</i> | <i>Description</i>  |
|-------------|--------------------|-------------|---------------------|-------------|--------------------|-------------|---------------------|
| 1           | 133-1571           | 4           | Screw-PPH, Plastic  | 8           | 127-9281           | 1           | Plate-Spring        |
| 2           | 127-9045           | 1           | Cover-Fan           | 9           | 136-7877           | 1           | Baffle-Air, Left    |
| 3           | 127-9196           | 6           | Screw-Shoulder, HWH | 10          | 120-4210           | 2           | Screw-Shoulder, HHF |
| 4           | 133-1572           | 1           | Shroud-Engine       | 11          | 136-7878           | 1           | Baffle-Air, Right   |
| 5           | 127-9046           | 1           | Door-Filter, Air    | 12          | 127-9287           | 1           | Cleat-Hose          |
| 6           | 127-9280           | 2           | Pin-Hair            | 13          | 120-4232           | 2           | Screw-HHF           |
| 7           | 127-9282           | 2           | Pin                 |             |                    |             |                     |

# Gasket and Seal Kit

1



## Gasket and Seal Kit (continued)

| <i>Ref.</i> | <i>Part Number</i> | <i>Qty.</i> | <i>Description</i>    | <i>Ref.</i> | <i>Part Number</i> | <i>Qty.</i> | <i>Description</i>      |
|-------------|--------------------|-------------|-----------------------|-------------|--------------------|-------------|-------------------------|
| 1           | 127-9296           | 1           | Gasket And Seal Kit   | 1:8         | 127-9246           | 2           | Gasket-Carburetor       |
| 1:1         | 127-9214           | 1           | Gasket-Breather       | 1:9         | 127-9251           | 1           | Gasket-Carburetor       |
| 1:2         | 120-4267           | 1           | Seal-Oil              | 1:10        | 120-4262           | 2           | O-Ring                  |
| 1:3         | 127-9226           | 2           | Gasket-Head, Cylinder | 1:11        | 127-9267           | 1           | Gasket-Cover, Crankcase |
| 1:4         | 127-9230           | 2           | Gasket-Intake         | 1:12        | 127-9271           | 1           | Seal                    |
| 1:5         | 127-9295           | 2           | Gasket-Valve Cover    | 1:13        | 127-9273           | 1           | O-Ring                  |
| 1:6         | 120-4317           | 2           | Gasket-Exhaust        | 1:14        | 127-9284           | 1           | O-Ring                  |
| 1:7         | 120-4257           | 1           | Seal-Oil              | 1:15        | 127-9286           | 1           | O-Ring                  |

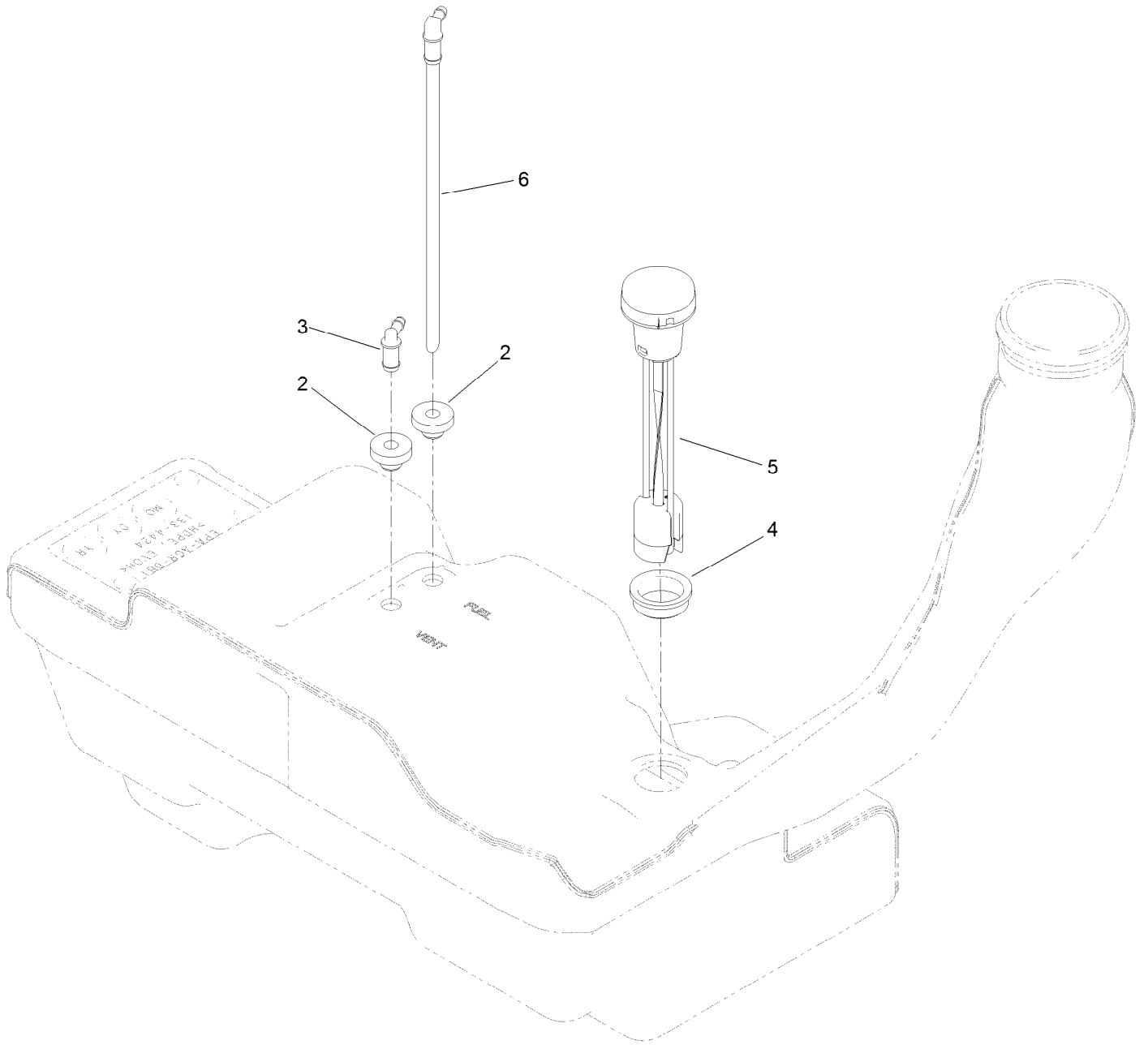


## Body Styling and Fuel Tank Assembly (continued)

| <i>Ref.</i> | <i>Part Number</i> | <i>Qty.</i> | <i>Description</i>    | <i>Ref.</i> | <i>Part Number</i> | <i>Qty.</i> | <i>Description</i>           |
|-------------|--------------------|-------------|-----------------------|-------------|--------------------|-------------|------------------------------|
| 1           | 133-4484           | 1           | Fuel Tank ASM         | 15          | 3220-3             | 1           | Nut-HJ                       |
| 2           | 136-4180           | 1           | Rod-Hold Down         | 16          | 136-4243           | 1           | Decal-Lever, Control (LH)    |
| 3           | 133-9307           | 1           | Pod-RH                | 17          | 136-4244           | 1           | Decal-Lever, Control (RH)    |
| 4           | 133-9315           | 1           | Pod-LH                | 19          | 109-0281           | 1           | Hose-Fuel                    |
| 5           | 137-4119           | 1           | Cap-Fuel, Ratcheting  | 20          | 110-5701           | 1           | Hose-Fuel                    |
| 7           | 107069             | 2           | Clip                  | 31          | 117-5399           | 1           | Adaptor-Orifice              |
| 8           | 133-9346-03        | 1           | Panel-Control         | 34          | 2412-98            | 3           | Clamp-Hose                   |
| 9           | 133-9263           | 1           | Decal-Control W/Choke | 36          | 133-9308           | 1           | Cover-Battery                |
| 10          | 3258-166           | 2           | Screw-PRH             | 37          | 32144-4            | 1           | Screw-HWH                    |
| 11          | 120-7950           | 4           | Screw-Torx            | 38          | 136-4195           | 2           | Screw-Shoulder               |
| 12          | 136-5622           | 1           | Cable-Throttle        | 39          | 121-5840           | 2           | Fastener                     |
| 13          | 112-9753           | 1           | Cable-Choke           | 41          | 614249             | 2           | Tie-Cable                    |
| 14          | 3253-21            | 1           | Washer-Lock           | 42          | 138-2522           | 1           | Sleeve-Fuel Line Protector ● |

● Not illustrated

# Fuel Tank Assembly No. 133-4484

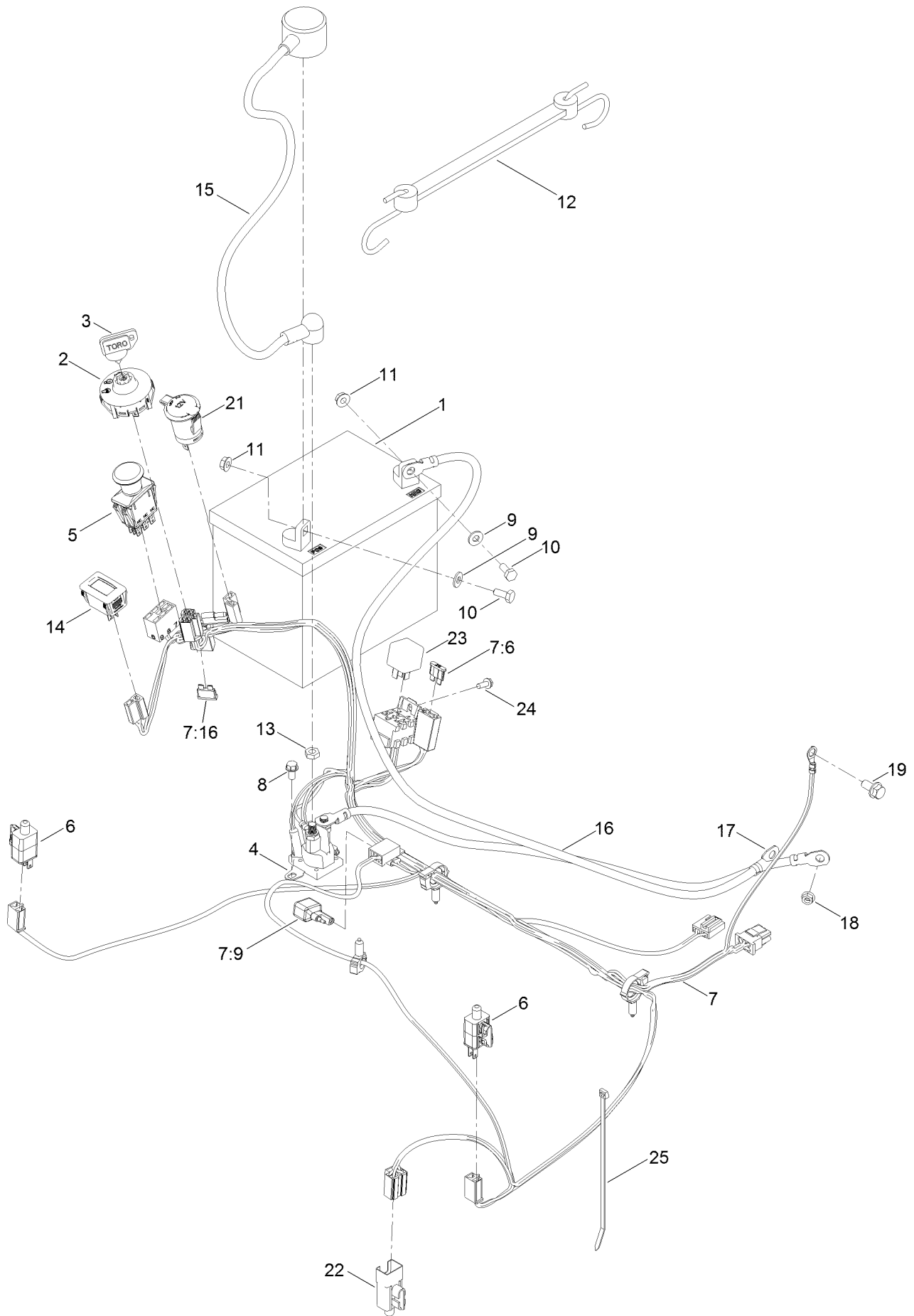




## Fuel Tank Assembly No. 133-4484 (continued)

| <i>Ref.</i> | <i>Part Number</i> | <i>Qty.</i> | <i>Description</i> | <i>Ref.</i> | <i>Part Number</i> | <i>Qty.</i> | <i>Description</i>      |
|-------------|--------------------|-------------|--------------------|-------------|--------------------|-------------|-------------------------|
| 2           | 46-6560            | 2           | Bushing            | 5           | 133-9270           | 1           | Gauge-Fuel              |
| 3           | 117-7400           | 1           | Fitting-Plastic    | 6           | 121-0793           | 1           | Connector-Elbow, 90 DEG |
| 4           | 133-9269           | 1           | Grommet-Fuel       |             |                    |             |                         |

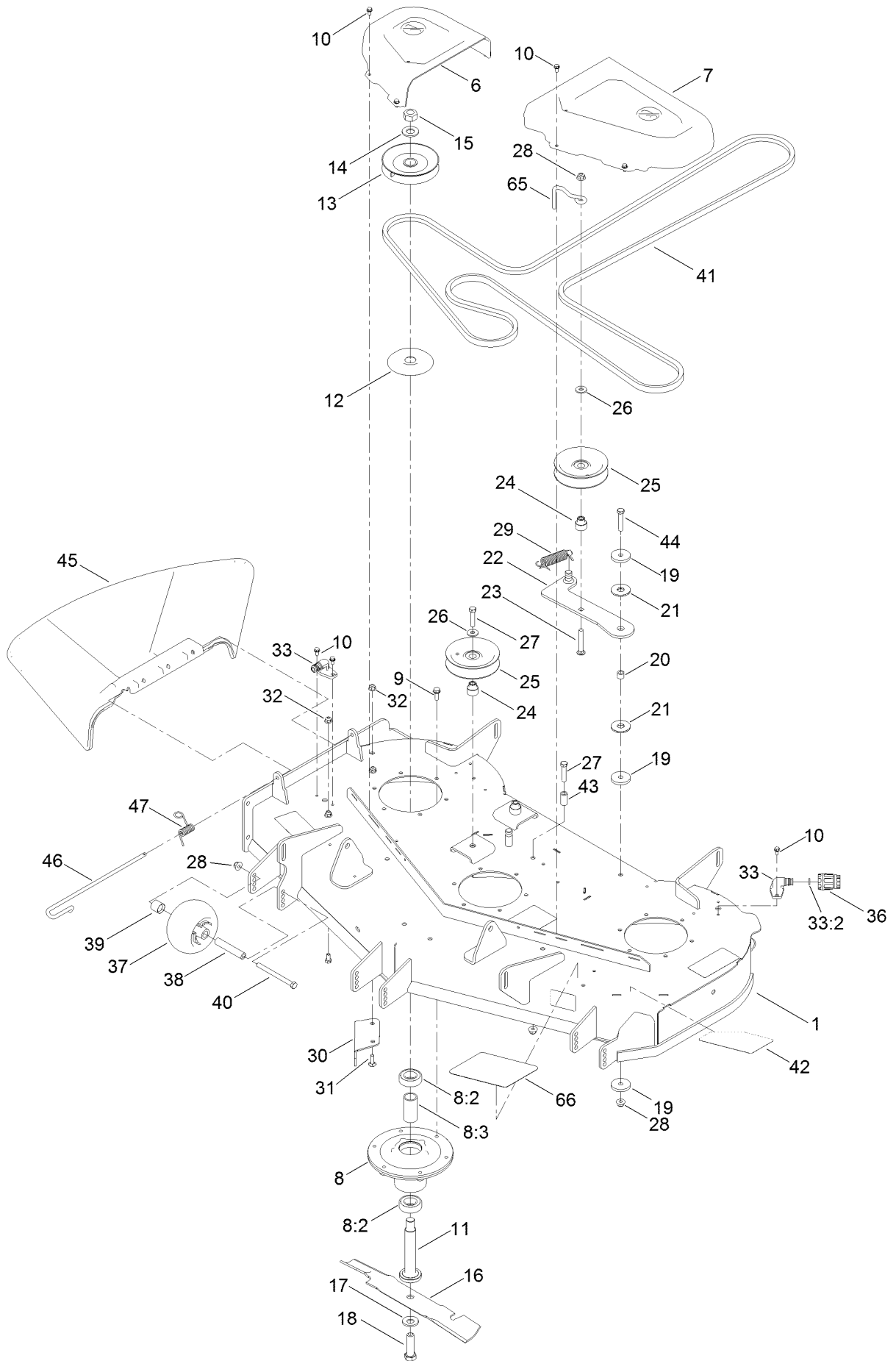
# Battery and Electrical Assembly



## Battery and Electrical Assembly (continued)

| <i>Ref.</i> | <i>Part Number</i> | <i>Qty.</i> | <i>Description</i>              | <i>Ref.</i> | <i>Part Number</i> | <i>Qty.</i> | <i>Description</i>      |
|-------------|--------------------|-------------|---------------------------------|-------------|--------------------|-------------|-------------------------|
| 1           | 105-1692           | 1           | Battery, 230CCA W/O Electrolyte | 11          | 32128-33           | 2           | Nut-HF                  |
| 2           | 137-4100           | 1           | Switch-Ignition                 | 12          | 104-2466           | 1           | Holddown-Battery        |
| 3           | 63-8360            | 1           | Key-Ignition                    | 13          | 3220-2             | 2           | Nut-Jam                 |
| 4           | 117-1197           | 1           | Solenoid                        | 14          | 120-2244           | 1           | Hourmeter               |
| 5           | 103-5221           | 1           | Switch-PTO                      | 15          | 115-3864           | 1           | Cable-Battery, Positive |
| 6           | 110-6765           | 2           | Switch                          | 16          | 136-7473           | 1           | Cable-Battery, Positive |
| 7           | 137-7002           | 1           | Harness-Wire                    | 17          | 117-7240           | 1           | Cable-Battery, Negative |
| 7:6         | 109102             | 1           | Fuse-Blade, 25 Amp              | 18          | 33003-00           | 1           | Nut-HF                  |
| 7:9         | 100-4918           | 1           | Diode                           | 19          | 3234-14            | 1           | Screw-HHF               |
| 7:16        | 109355             | 1           | Fuse-Blade, 15 Amp              | 21          | 126-6499           | 1           | Port-Power, 12V         |
| 8           | 32144-4            | 2           | Screw-HWH                       | 22          | 99-7408            | 1           | Switch-Reverse          |
| 9           | 3256-22            | 2           | Washer-Flat                     | 23          | 98-7249            | 1           | Relay                   |
| 10          | 321-3              | 2           | Screw-HH                        | 24          | 32144-1            | 1           | Screw-Taptite           |
|             |                    |             |                                 | 25          | 614249             | 1           | Tie-Cable               |

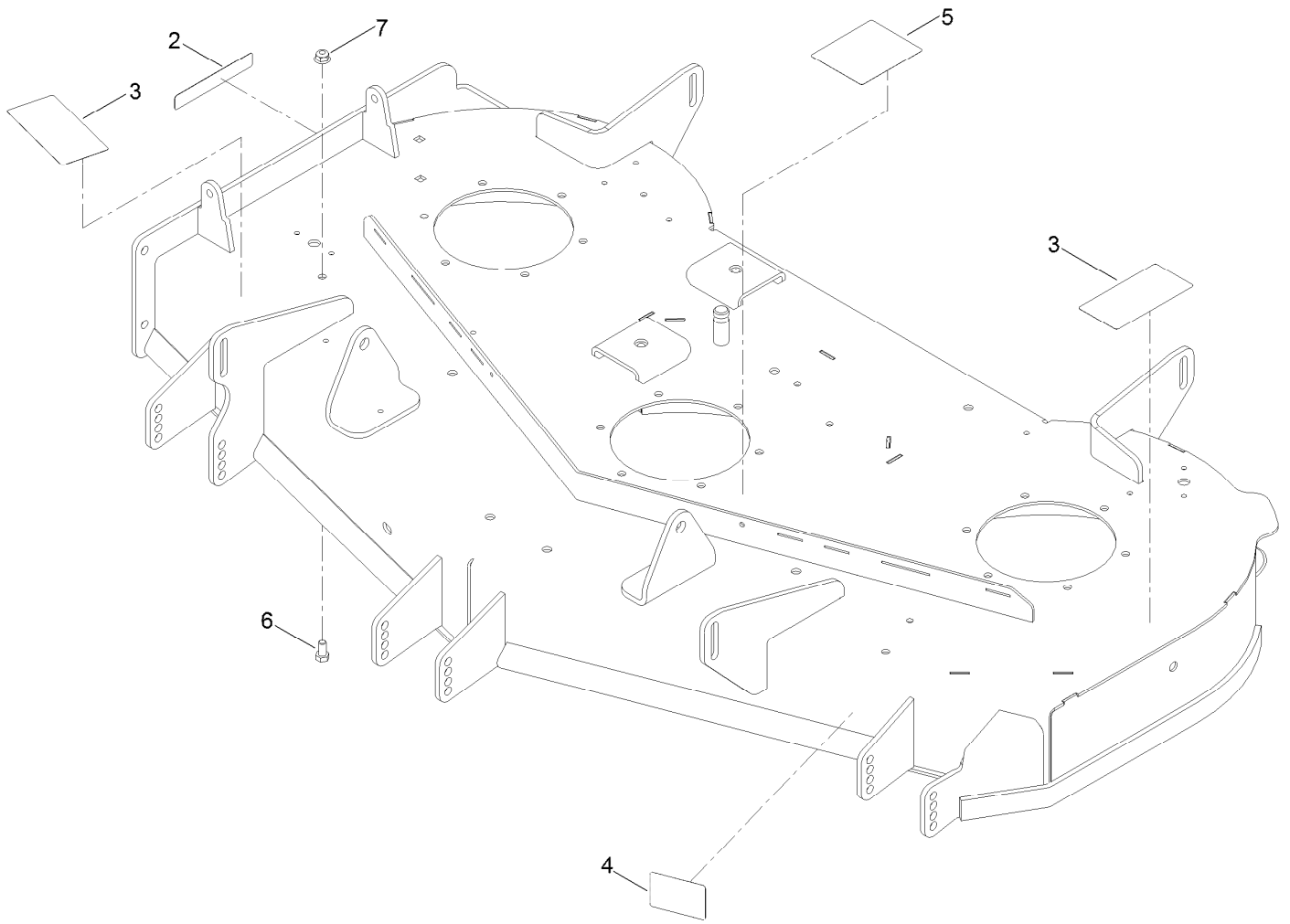
# Deck Assembly



## Deck Assembly (continued)

| <i>Ref.</i> | <i>Part Number</i> | <i>Qty.</i> | <i>Description</i>         | <i>Ref.</i> | <i>Part Number</i> | <i>Qty.</i> | <i>Description</i>  |
|-------------|--------------------|-------------|----------------------------|-------------|--------------------|-------------|---------------------|
| 1           | 133-7066           | 1           | Deck ASM                   | 26          | 80-6990            | 3           | Washer-Hardened     |
| 6           | 133-9283           | 1           | Cover-Belt, RH             | 27          | 323-9              | 3           | Screw-HH            |
| 7           | 133-9282           | 1           | Cover-Belt, LH             | 28          | 104-8301           | 6           | Nut-HF, NI          |
| 8           | 120-5477           | 3           | Spindle ASM                | 29          | 108-4056           | 1           | Spring-Extension    |
| 8:2         | 116-0720           | 2           | Bearing-Ball               | 30          | 117-7418-03        | 1           | Baffle-Cutoff       |
| 8:3         | 115-2641           | 1           | Spacer-Bearing             | 31          | 3230-22            | 2           | Screw-CARR          |
| 9           | 32144-41           | 18          | Screw-Taptite              | 32          | 104-8300           | 3           | Nut-HF, NI          |
| 10          | 32144-4            | 12          | Screw-HWH                  | 33          | 133-9289           | 2           | Fitting-Washout     |
| 11          | 115-2642           | 3           | Shaft-Spindle              | 33:2        | 133-9290           | 1           | O-Ring              |
| 12          | 117-7210           | 3           | Shield-Bearing             | 36          | 95-3270            | 1           | Connector-Hose      |
| 13          | 117-7326           | 3           | Pulley                     | 37          | 1-603299           | 3           | Roller-Scalp, Anti  |
| 14          | 7-4150             | 3           | Washer                     | 38          | 98-7912            | 3           | Tube-Spanner        |
| 15          | 3219-7             | 3           | Nut-Hex                    | 39          | 104-0892           | 3           | Spacer-Axle, Rear   |
| 16          | 117-7277-03        | 3           | Blade-Hi Flo, 16.50 Inch   | 40          | 323-23             | 3           | Screw-HH            |
| 17          | 125-1736           | 3           | Washer-Belleville          | 41          | 133-7075           | 1           | V-Belt              |
| 18          | 51-4060            | 3           | Screw-Blade                | 42          | 119-3382           | 1           | Decal-Deck          |
| 19          | 110-9981           | 3           | Washer-Plain               | 43          | 1-603401           | 1           | Spacer              |
| 20          | 1-413088           | 1           | Bushing-Lever, Lift        | 44          | 323-10             | 1           | Screw-HH            |
| 21          | 114-0463           | 2           | Washer-Friction, Composite | 45          | 133-1212           | 1           | Deflector-Discharge |
| 22          | 115-5054           | 1           | Arm-Idler                  | 46          | 109-8854           | 1           | Pin-Chute           |
| 23          | 3231-31            | 1           | Screw-CARR                 | 47          | 121-2983           | 1           | Spring-Torsion      |
| 24          | 115-2577           | 3           | Bushing-Idler              | 65          | 136-5615           | 1           | Guide-Belt, Idler   |
| 25          | 132-4718           | 3           | Pulley-Idler, Flat         | 66          | 133-9313           | 1           | Tread-Step          |

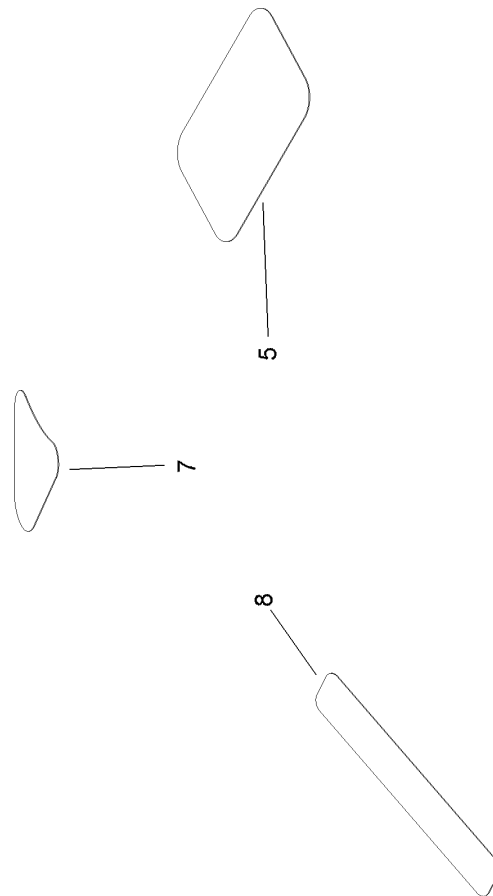
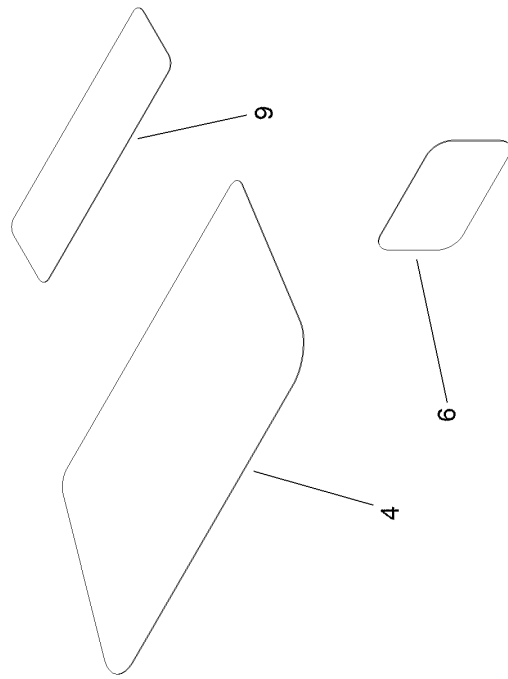
# Deck Decal Assembly No. 133-7066



## Deck Decal Assembly No. 133-7066 (continued)

| <i>Ref.</i> | <i>Part Number</i> | <i>Qty.</i> | <i>Description</i> | <i>Ref.</i> | <i>Part Number</i> | <i>Qty.</i> | <i>Description</i>  |
|-------------|--------------------|-------------|--------------------|-------------|--------------------|-------------|---------------------|
| 2           | 130-0731           | 1           | Decal-Danger       | 5           | 117-1194           | 1           | Decal-Routing, Belt |
| 3           | 132-0872           | 2           | Decal-Danger, Deck | 6           | 322-2              | 1           | Screw-HH            |
| 4           | 130-0765           | 1           | Decal-Scalp, Anti  | 7           | 104-8300           | 1           | Nut-HF, NI          |

# Model Specific Decal Assembly

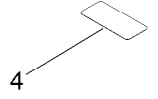
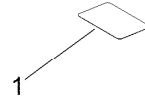
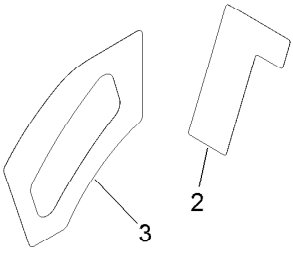




## Model Specific Decal Assembly (continued)

| <i>Ref.</i> | <i>Part Number</i> | <i>Qty.</i> | <i>Description</i> | <i>Ref.</i> | <i>Part Number</i> | <i>Qty.</i> | <i>Description</i> |
|-------------|--------------------|-------------|--------------------|-------------|--------------------|-------------|--------------------|
| 4           | 136-5618           | 1           | Decal-Engine       | 7           | 131-1097           | 1           | Decal-Drain, Oil   |
| 5           | 131-4157           | 1           | Decal              | 8           | 132-0904           | 1           | Decal-Shutdown     |
| 6           | 127-9076           | 1           | Placard-Intake     | 9           | 136-9186           | 1           | Decal-Bucket       |

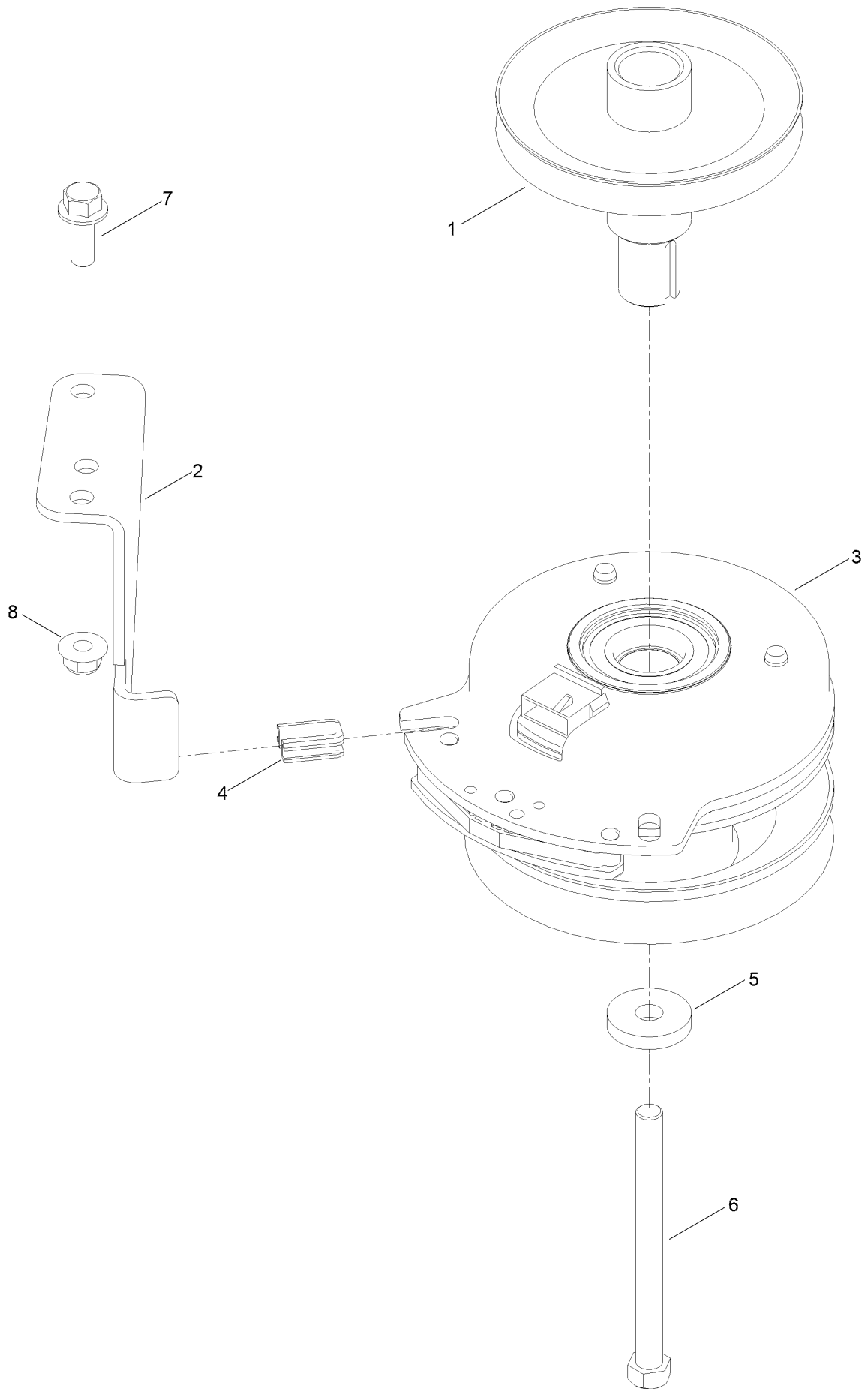
# Maintenance, HOC and Speed Decal Assembly



## Maintenance, HOC and Speed Decal Assembly (continued)

| <i>Ref.</i> | <i>Part Number</i> | <i>Qty.</i> | <i>Description</i> | <i>Ref.</i> | <i>Part Number</i> | <i>Qty.</i> | <i>Description</i>                |
|-------------|--------------------|-------------|--------------------|-------------|--------------------|-------------|-----------------------------------|
| 1           | 136-5596           | 1           | Decal-Maintenance  | 3           | 130-0654           | 1           | Decal-HOC                         |
| 2           | 136-4245           | 1           | Decal-Smart Speed  | 4           | 121-5684           | 1           | Decal-Location, Service<br>Dealer |

# Clutch Assembly



## Clutch Assembly (continued)

| <i>Ref.</i> | <i>Part Number</i> | <i>Qty.</i> | <i>Description</i> | <i>Ref.</i> | <i>Part Number</i> | <i>Qty.</i> | <i>Description</i> |
|-------------|--------------------|-------------|--------------------|-------------|--------------------|-------------|--------------------|
| 1           | 133-1208           | 1           | Pulley-Engine      | 5           | 112843             | 1           | Washer             |
| 2           | 137-7000           | 1           | Stop-Clutch (Wide) | 6           | 3212-19            | 1           | Screw-HH           |
| 3           | 127-3410           | 1           | Clutch-PTO         | 7           | 3234-42            | 1           | Screw-HHF          |
| 4           | 120-2217           | 1           | Isolator-Clutch    | 8           | 104-8301           | 1           | Nut-HF, NI         |

# Attachments and Accessories

## For 75211 TimeCutter HD MyRide 48in Riding Mower

| <b>Product Name</b>                            | <b>Model/Part</b> |
|--|-------------------|
| All Season Synthetic Oil (10W30, QT) .....     | 117-0066          |
| 48in Striping Kit.....                         | 119-3380          |
| Leaf Bagging Enhancement Kit .....             | 119-3381          |
| Jack Kit .....                                 | 127-6666          |
| Fuel Stabilizer .05 oz .....                   | 130-2393          |
| 4-Cycle Fuel, Snow And Lawn 32oz Can .....     | 131-3823          |
| Toro Premium Fuel Treatment 12 Oz Bottle ..... | 131-6572          |
| Deck Lift Assist Kit .....                     | 132-6850          |
| 5 Gallon Bucket .....                          | 133-2533          |
| 48in Recycler Kit.....                         | 136-7488          |
| Mount Kit .....                                | 136-7491          |
| Weight Kit .....                               | 136-7492          |
| Light Kit.....                                 | 136-7493          |
| Bucket Mount.....                              | 136-7494          |
| Rops Kit .....                                 | 136-7495          |
| HD Air Cleaner Kit .....                       | 136-7860          |
| Jack Mount Kit .....                           | 136-9200          |
| HD Shock and Spring Kit .....                  | 137-2042          |
| Sunshade .....                                 | 137-7011          |
| Product Cover.....                             | 137-7012          |
| 10w30 4-Cycle Engine Oil (32oz Bottle).....    | 38280             |
| Toro 4-Cycle SAE 30 Oil (32oz Bottle) .....    | 38903             |
| EZ Vac Complete Twin Bagger .....              | 79345             |

**Notes:**



**Count on it.**