



**Count on it.**

**Parts Catalog**

**TimeCutter® HD MR4800**  
**Riding Mower**

Model No. 75211—Serial No. 40000000 and Up



# Ordering Replacement Parts

To order replacement parts, please supply the part number, the quantity, and the description of each part desired.

## Understanding Reference Numbers

Each identified part in an illustration has a reference number. The reference number for a part also appears in the parts list, along with other information about the part.

This catalog uses two special reference number formats, one to indicate parts in a service assembly and another to indicate the quantity of a given part in an illustration.

## Service Assembly Reference Numbers

Parts in service assemblies have reference numbers in the form a:b. The a represents the reference number of the entire service assembly and the b represents a sequential number unique to each part within the service assembly.

For example, a wheel assembly might be identified by reference number 6, the tire by 6:1, the valve by 6:2, and the wheel by 6:3. When you order the assembly identified by reference number 6, you receive all parts identified by reference numbers 6:1, 6:2, and 6:3. However, you may also order any part individually. Reference numbers of this type appear in illustration and in parts lists.

## Reference Numbers Indicating Quantity

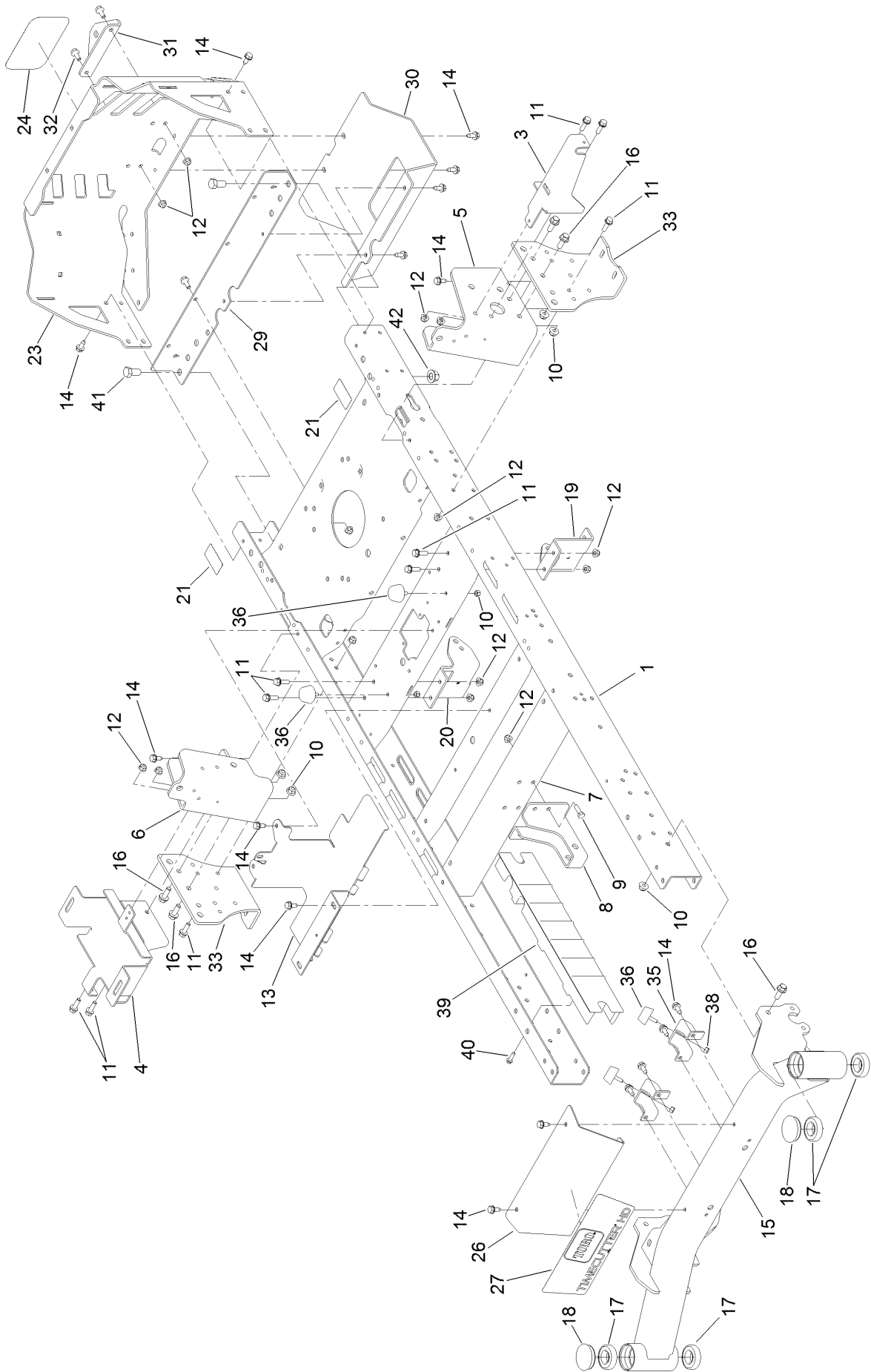
In an illustration, if a reference number indicates more than one part, the reference number has the form nX y. The n represents the quantity of the part, the X is the multiplication symbol, and the y represents the reference number.

For example, in an illustration, the reference number 2X 37 means that two of the parts identified by reference number 37 are indicated.

# Contents

Frame Assembly . . . . .	4
Deck Lift Assembly . . . . .	6
Caster Fork Assembly . . . . .	8
Hydro Transmission Assembly . . . . .	10
LH Transaxle Assembly No. 133-4420 . . . . .	12
RH Transaxle Assembly No. 133-4421 . . . . .	14
Parking Brake Assembly . . . . .	16
Rear Tire and Wheel Assembly . . . . .	18
Seat Assembly . . . . .	20
Seat Assembly No. 137-5007 . . . . .	22
Motion Control Assembly . . . . .	24
Engine and Muffler Assembly . . . . .	26
Fuel System Assembly with Non-Canister Style Air Filter . . . . .	28
Carburetor Assembly with Non-Canister Style Air Filter . . . . .	30
Air Intake and Filtration Assembly with Non-Canister Style Air Filter . . . . .	32
Ignition and Electrical Assembly . . . . .	34
Crankcase and Crankshaft Assembly . . . . .	36
Governor Control Assembly . . . . .	38
Piston and Cylinder Head Assembly . . . . .	40
Blower Housing Assembly . . . . .	42
Gasket and Seal Kit . . . . .	44
Body Styling and Fuel Tank Assembly . . . . .	46
Fuel Tank Assembly No. 133-4484 . . . . .	48
Electrical Assembly . . . . .	50
Deck Assembly . . . . .	52
Model Specific Decal Assembly . . . . .	54
Series Decal Assembly . . . . .	56
Clutch Assembly . . . . .	58
Attachments and Accessories . . . . .	60

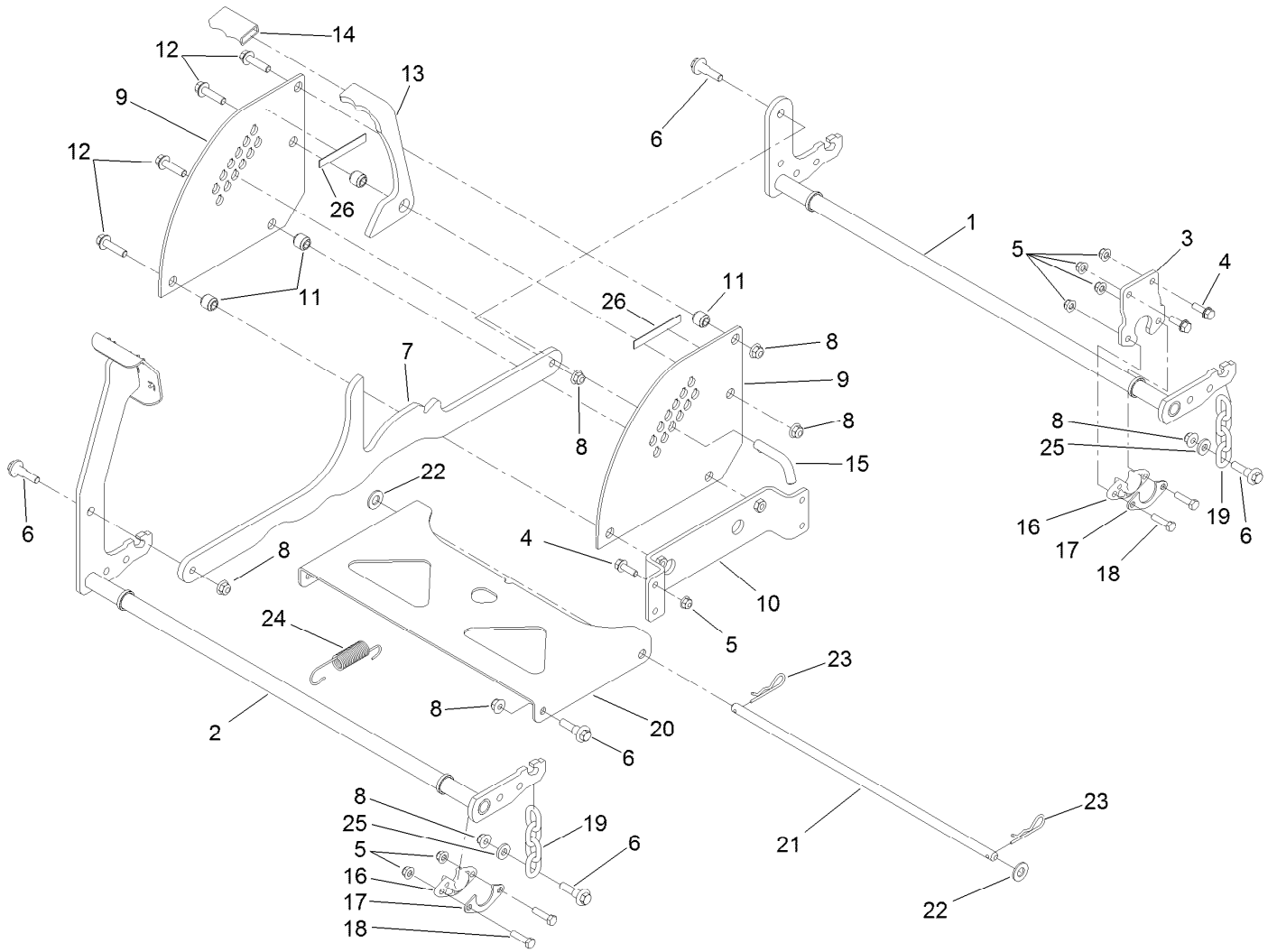
# Frame Assembly



## Frame Assembly (continued)

<i>Ref.</i>	<i>Part Number</i>	<i>Qty.</i>	<i>Description</i>	<i>Ref.</i>	<i>Part Number</i>	<i>Qty.</i>	<i>Description</i>
1	133-1192-01	1	Frame ASM	20	131-0901-01	1	Mount-Hydro, Front (RH)
3	133-7051-03	1	Bracket-Support, Pod (LH)	21	121-2989	2	Decal-Bypass
4	136-4185-03	1	Tray-Battery	23	133-4431-03	1	Guard-Engine
5	133-4383-01	1	Bracket-Mounting, LH	24	99-4693	1	Decal
6	133-4384-01	1	Bracket-Mounting, RH	26	133-9345-01	1	Plate-Front
7	133-4413-01	1	Brace-Cross, Lower	27	136-7472	1	Decal-Timecutter HD
8	133-4435-01	1	Bracket-Mount Damper, Lower	29	133-4303-01	1	Crossmember-Rear
9	322-5	4	Screw-HH	30	133-4429-03	1	Guard-Muffler
10	104-8301	10	Nut-HF, NI	31	117-1232-03	1	Bracket-Hitch
11	3234-29	20	Screw-HHF	32	3234-47	6	Screw-HHF
12	104-8300	30	Nut-HF, NI	33	133-1201-03	2	Mount-Hydro
13	133-4485-03	1	Bracket-Mount	35	133-4414-01	2	Bracket-Stop, Bump
14	32144-70	26	Screw-HWHTF	36	131-8834	4	Bumper
15	133-4310-01	1	Axle-Front	38	3296-42	4	Nut-Lock, NI
16	3234-42	10	Screw-HHF	39	133-7072	2	Guard-Rail
17	109-3678	4	Bearing-Ball	40	46-8091	6	Screw-HWH
18	116-4348	2	Cap-Grease	41	325-4	2	Screw-HH
19	131-0902-01	1	Mount-Hydro, Front (LH)	42	99-5107	2	Nut-Lock

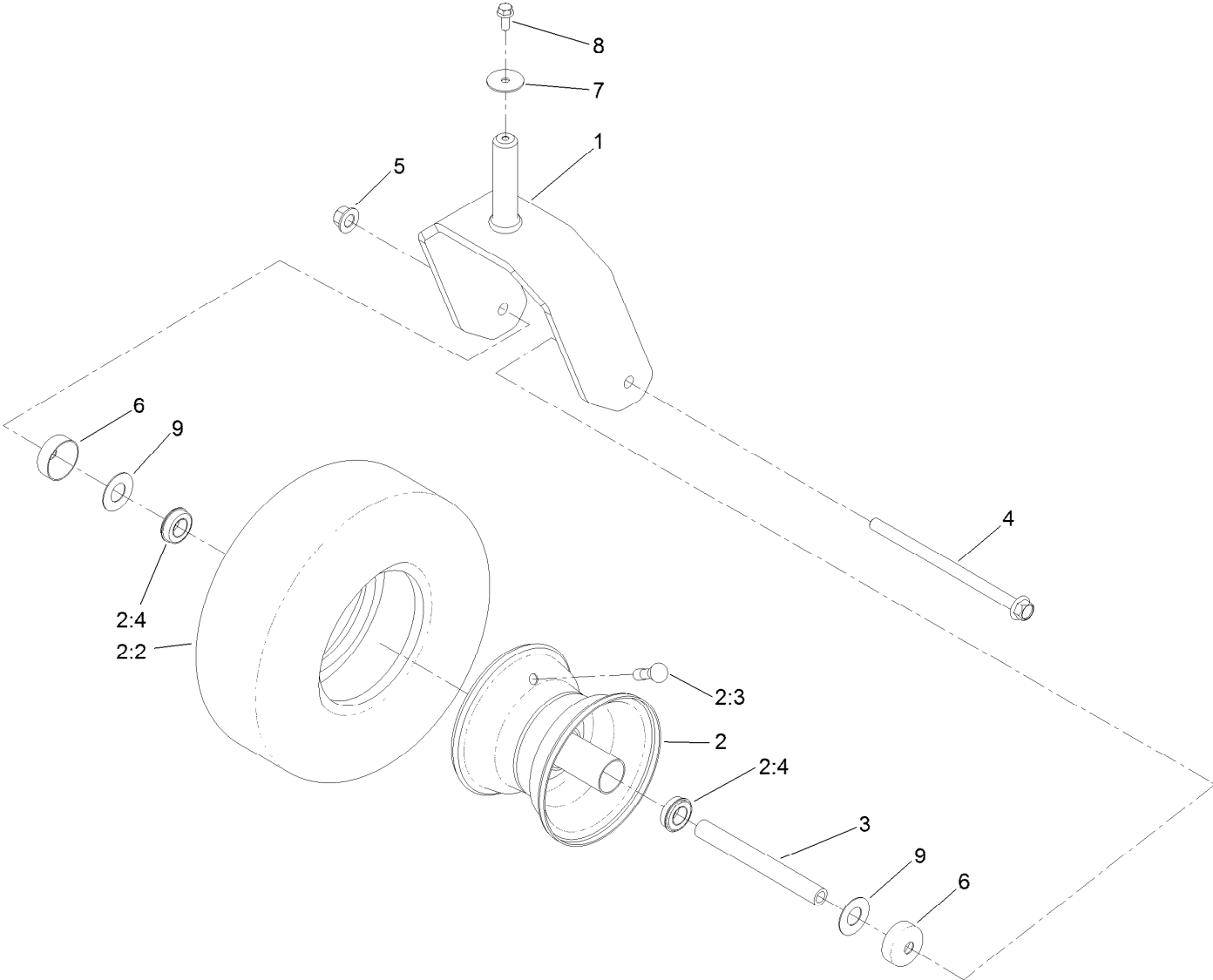
# Deck Lift Assembly



## Deck Lift Assembly (continued)

<i>Ref.</i>	<i>Part Number</i>	<i>Qty.</i>	<i>Description</i>	<i>Ref.</i>	<i>Part Number</i>	<i>Qty.</i>	<i>Description</i>
1	131-4059-03	1	Pivot-Rear	14	116-4312	1	Grip-Flat
2	133-4430-03	1	Pivot-Front	15	116-5584	1	Pin-HOC
3	133-4316-03	2	Plate	16	115-5065	4	Bushing-Flange
4	3234-29	8	Screw-HHF	17	116-2887	4	Gusset-Lift, Deck
5	104-8300	16	Nut-HF, NI	18	322-6	8	Screw-HH
6	130-0742	8	Bolt-Shoulder	19	130-0668	4	Chain-Decklift
7	127-3390-03	1	Link-HOC	20	133-4311-01	1	Pan-Pivot, Deck
8	104-8301	10	Nut-HF, NI	21	133-7071	1	Rod-Pivot, Deck
9	127-3389-03	2	Plate-Deck, Lift	22	3256-26	2	Washer-Flat
10	133-7049	1	Plate-Lift	23	1-806005	2	Pin-Cotter
11	116-4313	4	Spacer-Step, Double	24	115-9652	1	Spring-Extension
12	114-4681	4	Screw-HHF	25	43-0940	4	Spacer
13	127-3391	1	Lock-Transport, HOC	26	130-0734	2	Pad-Rubber

# Caster Fork Assembly





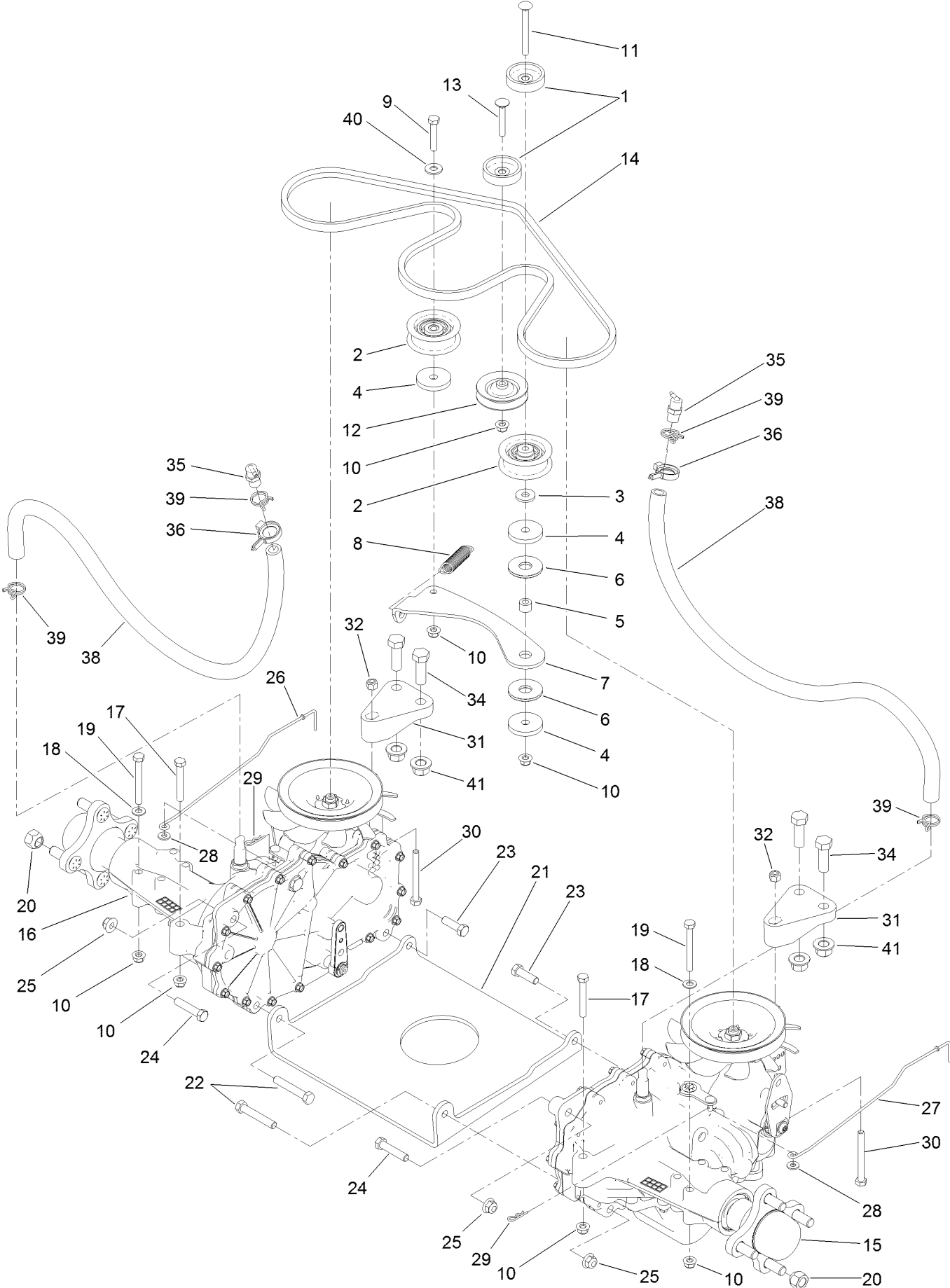
## Caster Fork Assembly (continued)

<i>Ref.</i>	<i>Part Number</i>	<i>Qty.</i>	<i>Description</i>	<i>Ref.</i>	<i>Part Number</i>	<i>Qty.</i>	<i>Description</i>
1	126-4312-01	2	Fork-Caster	4	126-5389	2	Screw-HHF
2	133-4428	2	Tire And Wheel ASM	5	99-5107	2	Nut-Lock
2:2	125-5581	1	Tire	6	133-7088	4	Guard-Seal
2:3	232-27	1	Stem-Valve	7	3256-68	2	Washer-Flat
2:4	136-4190	2	Bearing	8	3234-47	2	Screw-HHF
2:99	232-46	1	Tube-Inner ●■	9	136-5590	4	Washer
3	133-4487	2	Spanner-Wheel				

● Not illustrated

■ Optional Equipment

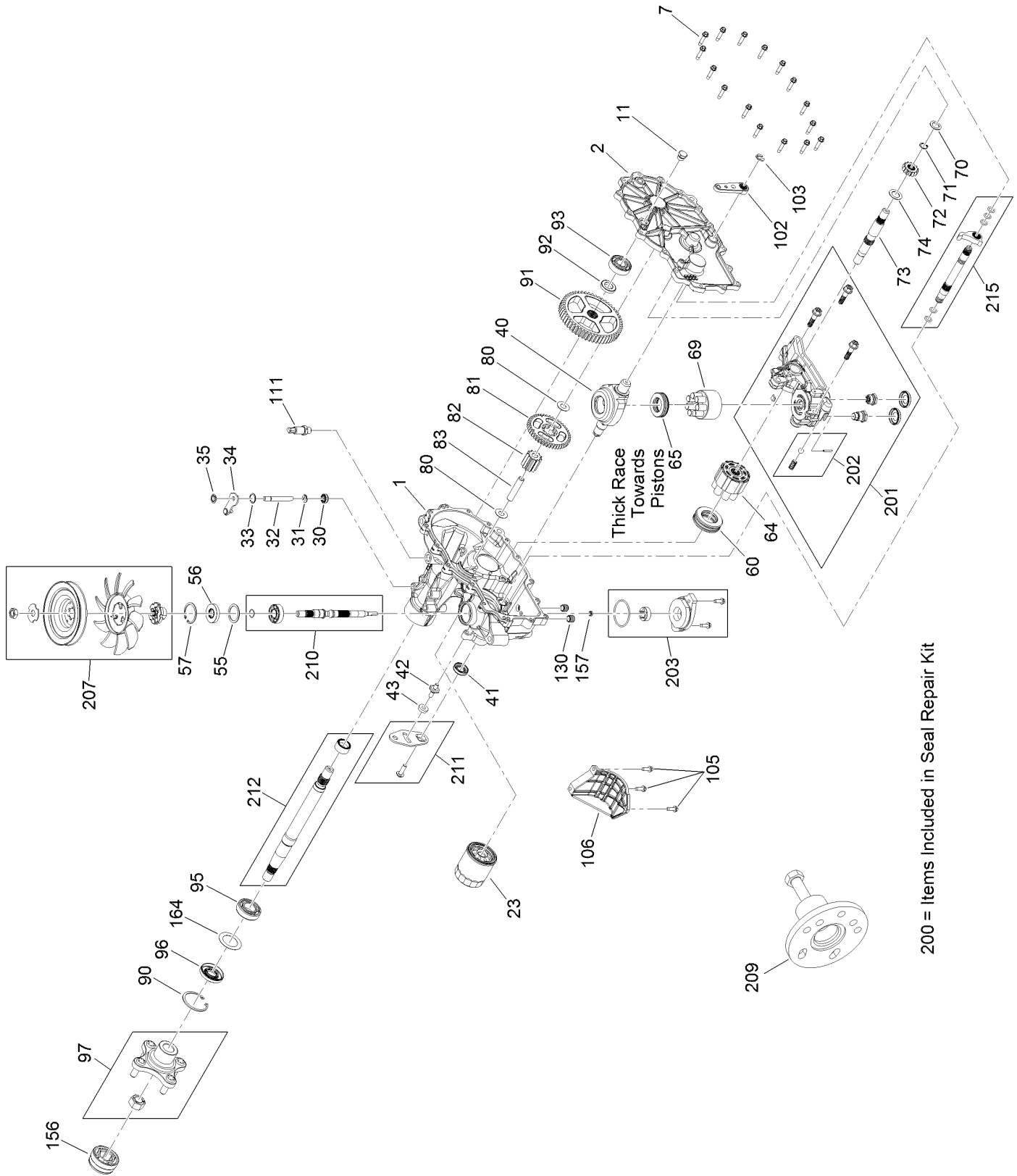
# Hydro Transmission Assembly



## Hydro Transmission Assembly (continued)

<i>Ref.</i>	<i>Part Number</i>	<i>Qty.</i>	<i>Description</i>	<i>Ref.</i>	<i>Part Number</i>	<i>Qty.</i>	<i>Description</i>
1	119-3353	2	Spacer	20	242-50	8	Nut-Lug
2	106-2176	2	Pulley-Idler	21	130-0718-01	1	Plate-Cross, Hydro
3	5-0838	1	Washer	22	323-11	2	Screw-HH
4	110-9981	3	Washer-Plain	23	323-7	2	Screw-HH
5	114-8549	1	Bushing	24	323-9	2	Screw-HH
6	114-0463	2	Washer-Friction, Composite	25	104-8301	6	Nut-HF, NI
7	133-4423	1	Arm-Idler	26	133-4304	1	Rod-Bypass, RH
8	104-6415	1	Spring-Return, Pedal	27	133-4305	1	Rod-Bypass, LH
9	322-9	1	Screw-HH	28	3256-22	2	Washer-Flat
10	104-8300	9	Nut-HF, NI	29	3290-307	2	Pin-Cotter
11	119-9784	1	Screw-CARR	30	322-14	2	Screw-HH
12	119-8822	1	Pulley-Idler	31	133-1247	2	Support-Hydro, Rear
13	3230-6	1	Bolt-CARR	32	3296-29	2	Nut-Lock, NI
14	133-4371	1	V-Belt	34	325-6	4	Screw-HH
15	133-4420	1	LH Hydro Transmission ASM	35	136-4183	2	Breather Kit
16	133-4421	1	RH Hydro Transmission ASM	36	105-1853	2	Clamp-Hose
17	322-11	2	Screw-HH	38	136-4182	2	Hose-Hydro
18	3256-23	6	Washer-Plain	39	117-1193	4	Clamp-Hose
19	322-13	4	Screw-HH	40	3256-3	1	Washer-Flat
				41	99-5107	4	Nut-Lock

# LH Transaxle Assembly No. 133-4420

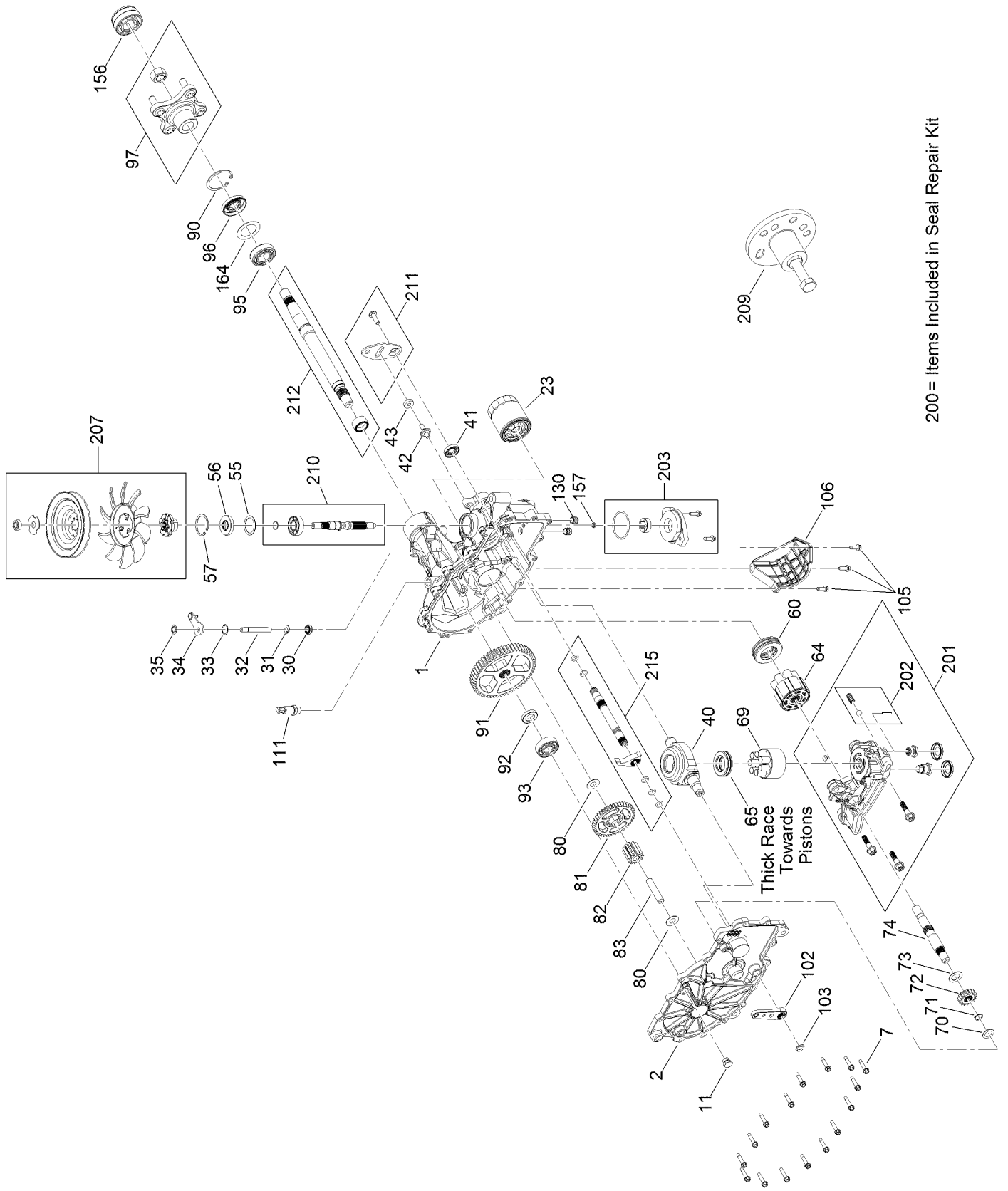


200 = Items Included in Seal Repair Kit

## LH Transaxle Assembly No. 133-4420 (continued)

<i>Ref.</i>	<i>Part Number</i>	<i>Qty.</i>	<i>Description</i>	<i>Ref.</i>	<i>Part Number</i>	<i>Qty.</i>	<i>Description</i>
1	117-5357	1	RH Main Housing Kit	82	120-7974	1	Gear-11T
2	117-5358	1	RH Housing Side Kit	83	104-5329	1	Pin-Jackshaft
7	117-5359	16	Screw-HHF	90	104-2169	1	Ring-Retaining
11	135-1140	1	Plug-Straight	91	114-1694	1	Gear-54T
23	109-3321	1	Element-Oil Filter, HYD	92	120-7975	1	Spacer
30	106-8676	1	Seal-Lip	93	137-2004	1	Bearing Kit
31	106-8677	1	Ring-Retaining, External	95	109-8110	1	Input Bearing Kit
32	114-1685	1	Rod-Bypass	96	130-8478	1	Seal-Lip
33	106-8679	1	Ring-Retaining, Internal	97	109-5939	1	Hub Kit
34	112-9852	1	Arm-Bypass	102	125-0021	1	Handle-Brake
35	106-8681	1	Ring-Retaining, External	103	131-0906	1	Ring-Retaining, EXT
40	104-5304	1	Swashplate-Trunnion	105	104-2120	3	Screw
41	104-5313	1	Seal-Lip	106	120-7981	1	Guard-Filter, RH
42	104-2116	1	Stud	111	109-3278	1	Adapter-Straight
43	112-9853	1	Puck-Friction	130	126-3251	2	Tube-Charge
55	104-5308	1	Spacer	156	115-5057	1	Cover-Nut, Axle
56	104-5310	1	Seal-Lip	157	130-8486	1	Seal-Gerotor
57	104-5309	1	Ring-Retaining	164	121-5745	1	Spacer
60	112-4154	1	Bearing-Thrust	200	109-3537	1	Seal Kit
64	114-1689	1	Motor Cylinder Block Kit	201	137-2005	1	RH Charge Center Section Kit
65	94-6922	1	Bearing-Thrust				
69	110-8561	1	Pump Block ASM	202	114-8464	1	Charge Relief Kit
70	104-5339	1	Washer-Flat	203	114-8465	1	Charge Kit
71	104-5340	1	Ring-Retaining	207	137-2006	1	Fan Pulley Kit
72	131-0905	1	Gear-14T	209	114-8467	1	Puller-Hub, 4 Bolt
73	114-1691	1	Shaft-Motor	210	117-5361	1	Input Shaft Kit
74	104-5360	1	Washer	211	117-5362	1	Control Arm Kit
80	119-5541	2	Washer	212	114-8470	1	Axle Shaft Kit
81	114-1692	1	Gear-45T	215	137-2007	1	Brake Shaft Kit

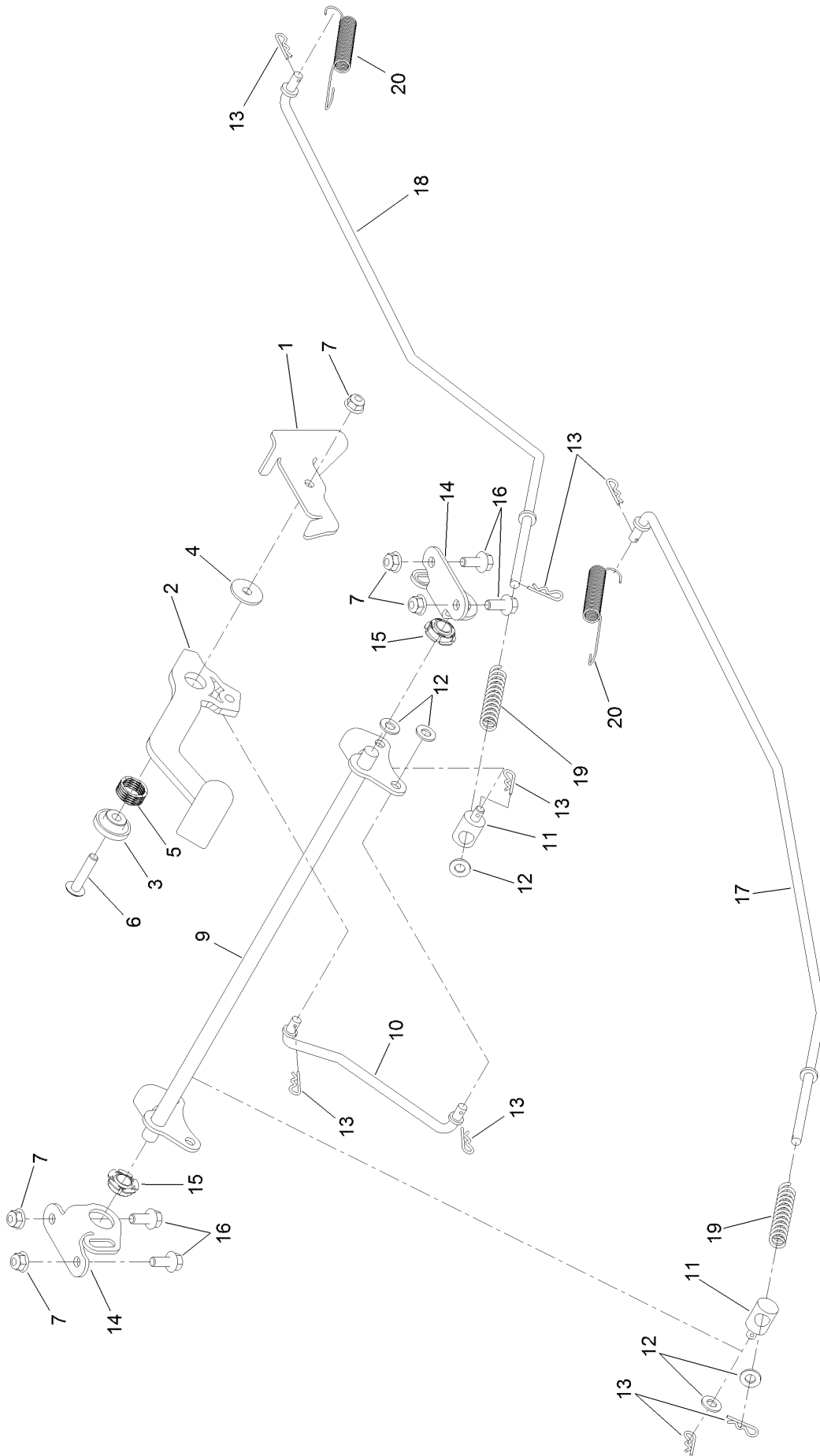
# RH Transaxle Assembly No. 133-4421



## RH Transaxle Assembly No. 133-4421 (continued)

<i>Ref.</i>	<i>Part Number</i>	<i>Qty.</i>	<i>Description</i>	<i>Ref.</i>	<i>Part Number</i>	<i>Qty.</i>	<i>Description</i>
1	114-8471	1	LH Main Housing Kit	82	120-7974	1	Gear-11T
2	114-8472	1	LH Side Cover Kit	83	104-5329	1	Pin-Jackshaft
7	117-5359	16	Screw-HHF	90	104-2169	1	Ring-Retaining
11	135-1140	1	Plug-Straight	91	114-1694	1	Gear-54T
23	109-3321	1	Element-Oil Filter, HYD	92	120-7975	1	Spacer
30	106-8676	1	Seal-Lip	93	137-2004	1	Bearing Kit
31	106-8677	1	Ring-Retaining, External	95	109-8110	1	Input Bearing Kit
32	114-1685	1	Rod-Bypass	96	130-8478	1	Seal-Lip
33	106-8679	1	Ring-Retaining, Internal	97	109-5939	1	Hub Kit
34	107-2490	1	Arm-Bypass	102	125-0021	1	Handle-Brake
35	106-8681	1	Ring-Retaining, External	103	131-0906	1	Ring-Retaining, EXT
40	104-5304	1	Swashplate-Trunnion	105	104-2120	3	Screw
41	104-5313	1	Seal-Lip	106	120-7979	1	Guard-Filter, LH
42	104-2116	1	Stud	111	109-3278	1	Adapter-Straight
43	112-9853	1	Puck-Friction	130	126-3251	2	Tube-Charge
55	104-5308	1	Spacer	156	115-5057	1	Cover-Nut, Axle
56	104-5310	1	Seal-Lip	157	130-8486	1	Seal-Gerotor
57	104-5309	1	Ring-Retaining	164	121-5745	1	Spacer
60	112-4154	1	Bearing-Thrust	200	109-3537	1	Seal Kit
64	114-1689	1	Motor Cylinder Block Kit	201	137-2012	1	LH Charge Center Section Kit
65	94-6922	1	Bearing-Thrust				
69	110-8561	1	Pump Block ASM	202	114-8464	1	Charge Relief Kit
70	104-5339	1	Washer-Flat	203	114-8465	1	Charge Kit
71	104-5340	1	Ring-Retaining	207	137-2006	1	Fan Pulley Kit
72	131-0905	1	Gear-14T	209	114-8467	1	Puller-Hub, 4 Bolt
73	114-1691	1	Shaft-Motor	210	117-5361	1	Input Shaft Kit
74	104-5360	1	Washer	211	117-5362	1	Control Arm Kit
80	119-5541	2	Washer	212	114-8470	1	Axle Shaft Kit
81	114-1692	1	Gear-45T	215	137-2013	1	Brake Shaft Kit

# Parking Brake Assembly

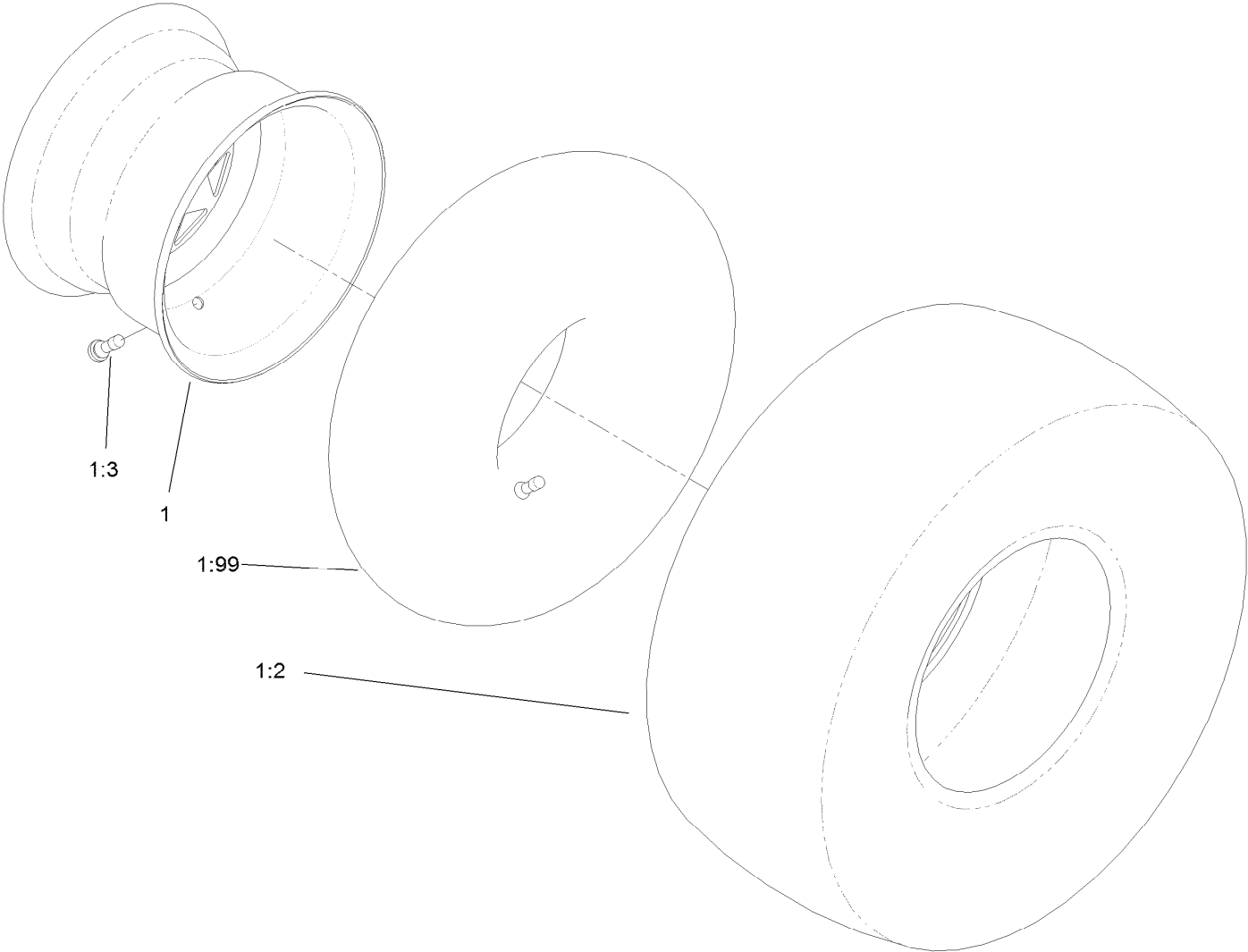




## Parking Brake Assembly (continued)

<i>Ref.</i>	<i>Part Number</i>	<i>Qty.</i>	<i>Description</i>	<i>Ref.</i>	<i>Part Number</i>	<i>Qty.</i>	<i>Description</i>
1	136-5554	1	Detent-Brake	12	3256-23	5	Washer-Plain
2	136-7476	1	Lever-Brake	13	3290-307	8	Pin-Cotter
3	136-5648	1	Bushing-Flange	14	133-9341-03	2	Plate-Support, Bellcrank
4	136-5647	1	Bushing-Brake, Flanged	15	136-7469	2	Bearing-Spherical
5	126-8220	1	Spring-Wave	16	3234-47	4	Screw-HHF
6	126-7439	1	Screw-Torx	17	133-9343	1	Rod-Brake, RH
7	104-8300	5	Nut-HF, NI	18	133-9344	1	Rod-Brake, LH
9	133-9338	1	Bellcrank-Brake	19	1-603807	2	Spring-Return, Neutral
10	133-9342	1	Rod-Brake, Intermediate	20	110769	2	Spring-Extension
11	115-9681	2	Fitting-Rod				

# Rear Tire and Wheel Assembly

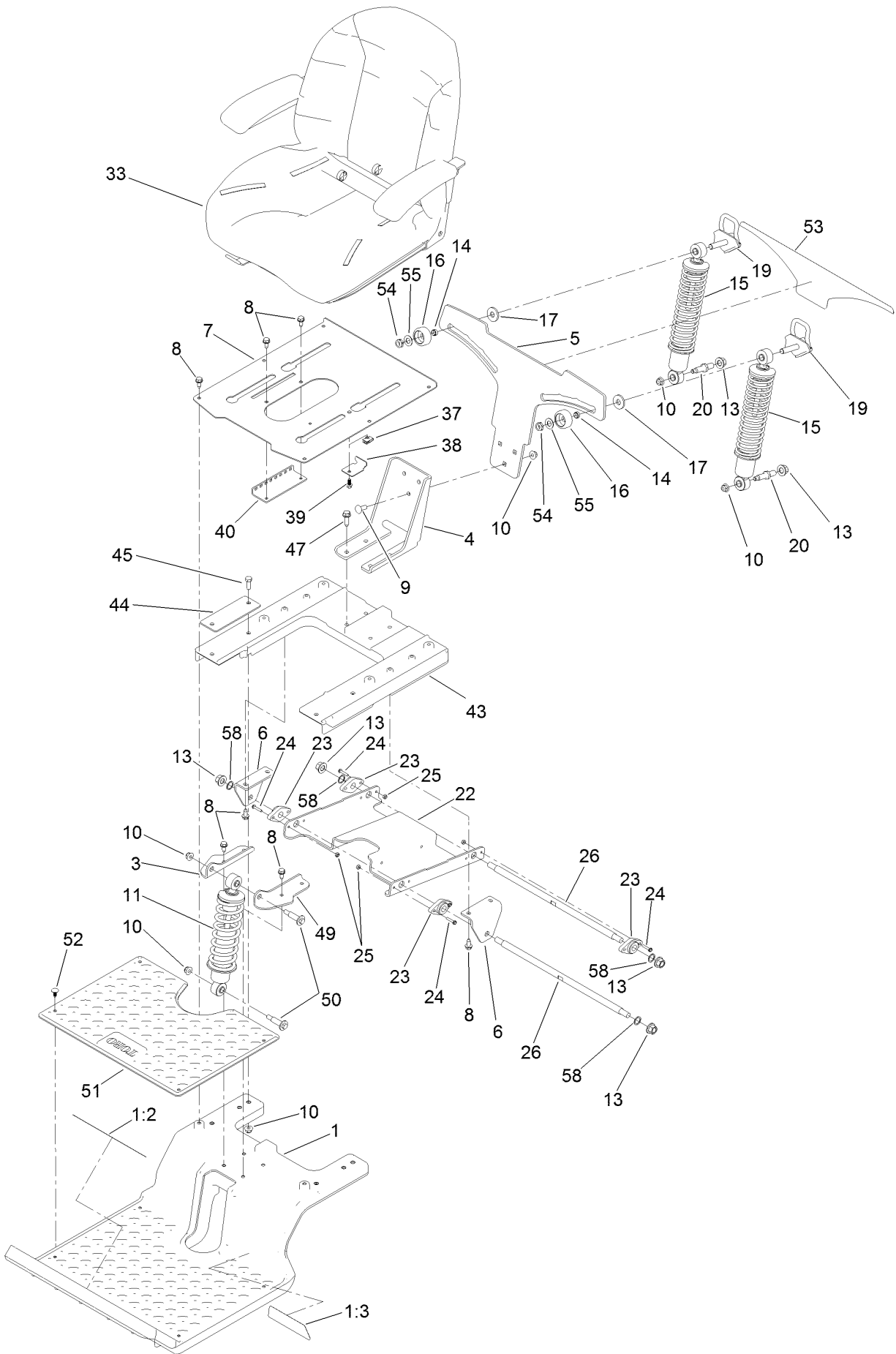


## Rear Tire and Wheel Assembly (continued)

<i>Ref.</i>	<i>Part Number</i>	<i>Qty.</i>	<i>Description</i>	<i>Ref.</i>	<i>Part Number</i>	<i>Qty.</i>	<i>Description</i>
1	127-3449	2	Tire And Wheel ASM	1:3	232-27	1	Stem-Valve
1:2	125-1821	1	Tire	1:99	105-4070	1	Tube-Inner ●

● Optional Equipment

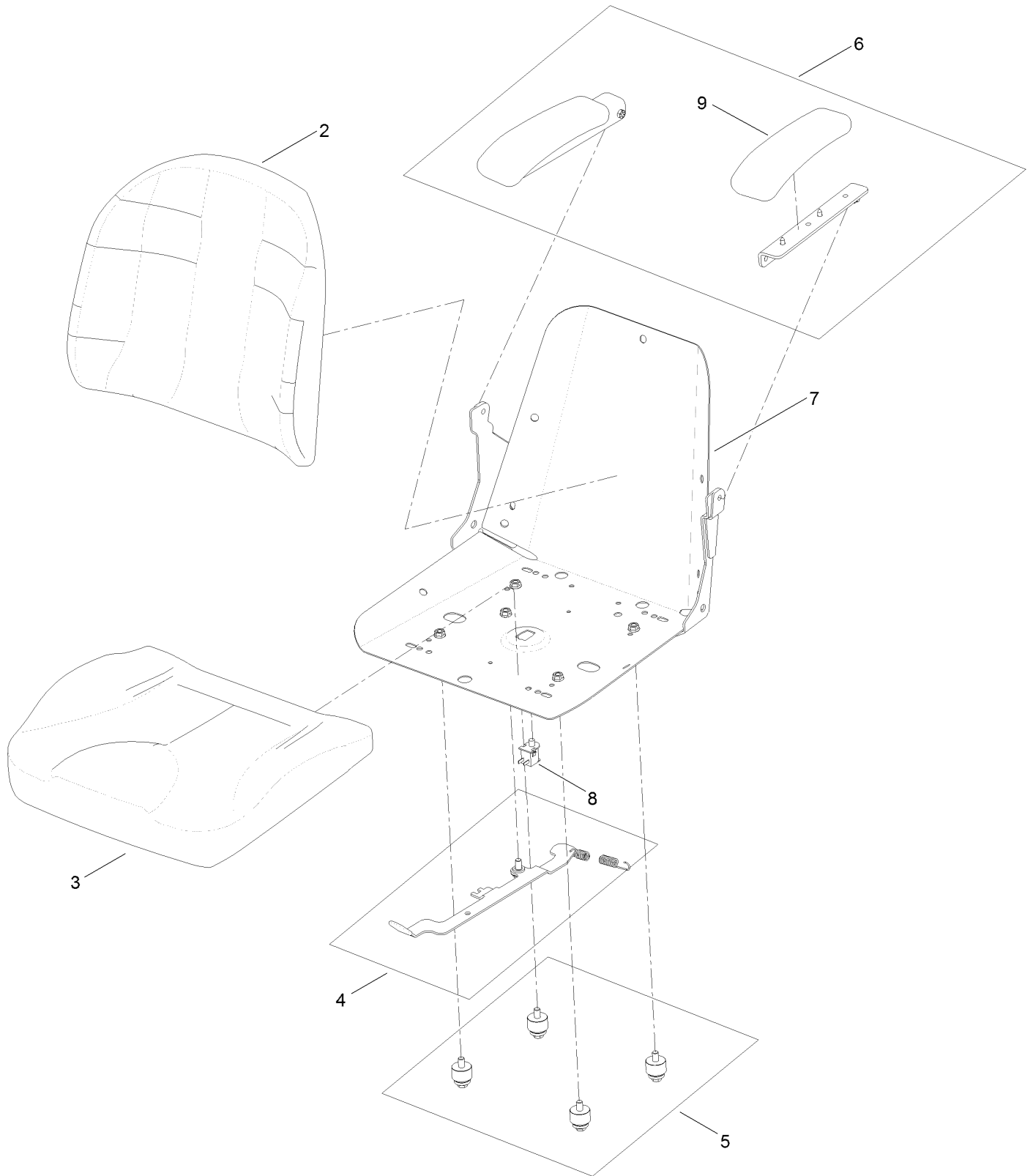
# Seat Assembly



## Seat Assembly (continued)

<i>Ref.</i>	<i>Part Number</i>	<i>Qty.</i>	<i>Description</i>	<i>Ref.</i>	<i>Part Number</i>	<i>Qty.</i>	<i>Description</i>
1	136-9191	1	Subframe-Front	24	131-6456	8	Screw-HWH
1:2	132-0869	1	Decal-Danger	25	3296-2	8	Nut-Lock, NI
1:3	136-7470	1	Decal	26	133-4438	2	Rod-Swing Arm
3	133-9319-03	1	Bracket-Shock Mount, Upper (RH)	33	137-5007	1	Seat ASM
4	133-4442-03	1	Bracket-Mount, Lower	37	107069	1	Clip
5	133-4462-03	1	Bracket-Mounting, Shock	38	131-1038	1	Bracket-Stop, Seat
6	133-4387-03	2	Bracket-Mount, Swing Arm	39	99-6810	1	Screw-HHF
7	133-7029-03	1	Pan-Seat	40	131-4008-03	1	Bracket-Latch, Seat
8	32144-70	16	Screw-HWHTF	43	133-7084	1	Subframe-Rear
9	3231-22	3	Screw-CARR	44	133-7089-03	2	Plate-Backer
10	104-8301	11	Nut-HF, NI	45	323-6	4	Screw-HH
11	131-4651	1	Shock ASM	47	32144-109	4	Screw-Thd
13	99-5107	6	Nut-Lock	49	133-9318-03	1	Bracket-Shock Mount, Upper (LH)
14	133-5109	2	Bearing-Sleeve	50	56-6590	2	Bolt-Wheel
15	133-5154	2	Shock/Spring ASM	51	133-5190	1	Floormat
16	136-5636	2	Knob-Lock, Cam	52	117-2382	4	Plug-Plastic
17	131-4699	2	Washer-Plastic	53	133-5198	1	Decal-Adjustment, Ride
19	133-5105	2	Cam Lock ASM	54	3296-45	2	Nut-Hex
20	133-4401	2	Bolt-Shoulder	55	3-6803	2	Washer-Adjusting
22	133-4467-03	1	Plate-Swing Arm	58	52-7280	4	Washer-Thrust
23	136-5566	4	Bearing-Flange				

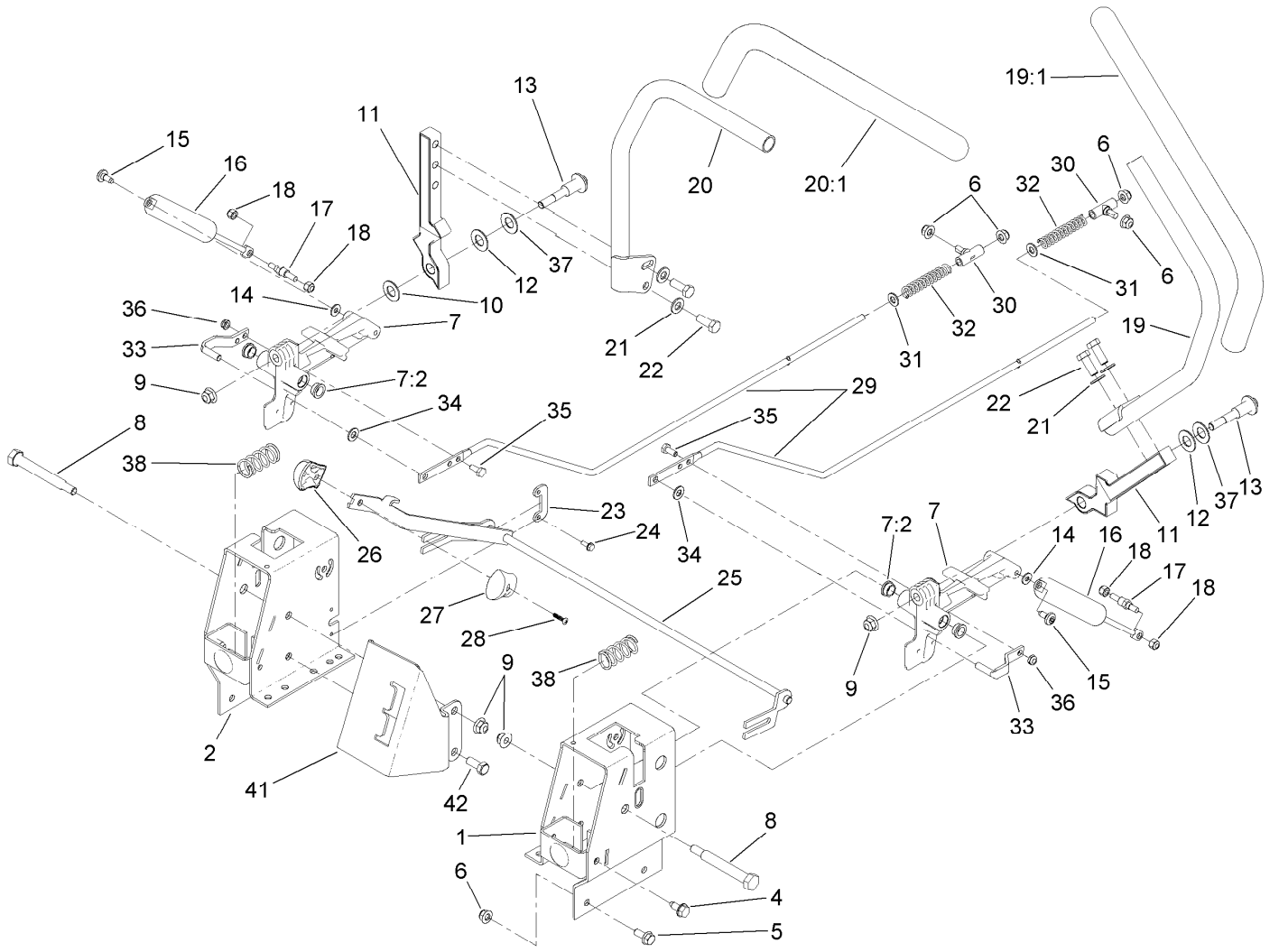
# Seat Assembly No. 137-5007



## Seat Assembly No. 137-5007 (continued)

<i>Ref.</i>	<i>Part Number</i>	<i>Qty.</i>	<i>Description</i>	<i>Ref.</i>	<i>Part Number</i>	<i>Qty.</i>	<i>Description</i>
2	137-5005	1	Cushion-Seat, Back	6	131-4155	1	Armrest Kit
3	137-5006	1	Custion-Seat, Bottom	7	131-4156	1	Shell
4	131-4153	1	Track ASM	8	82-2190	1	Switch-Bail
5	131-4154	1	Bushing ASM	9	110-4163	2	Cushion-Rest, Arm

# Motion Control Assembly

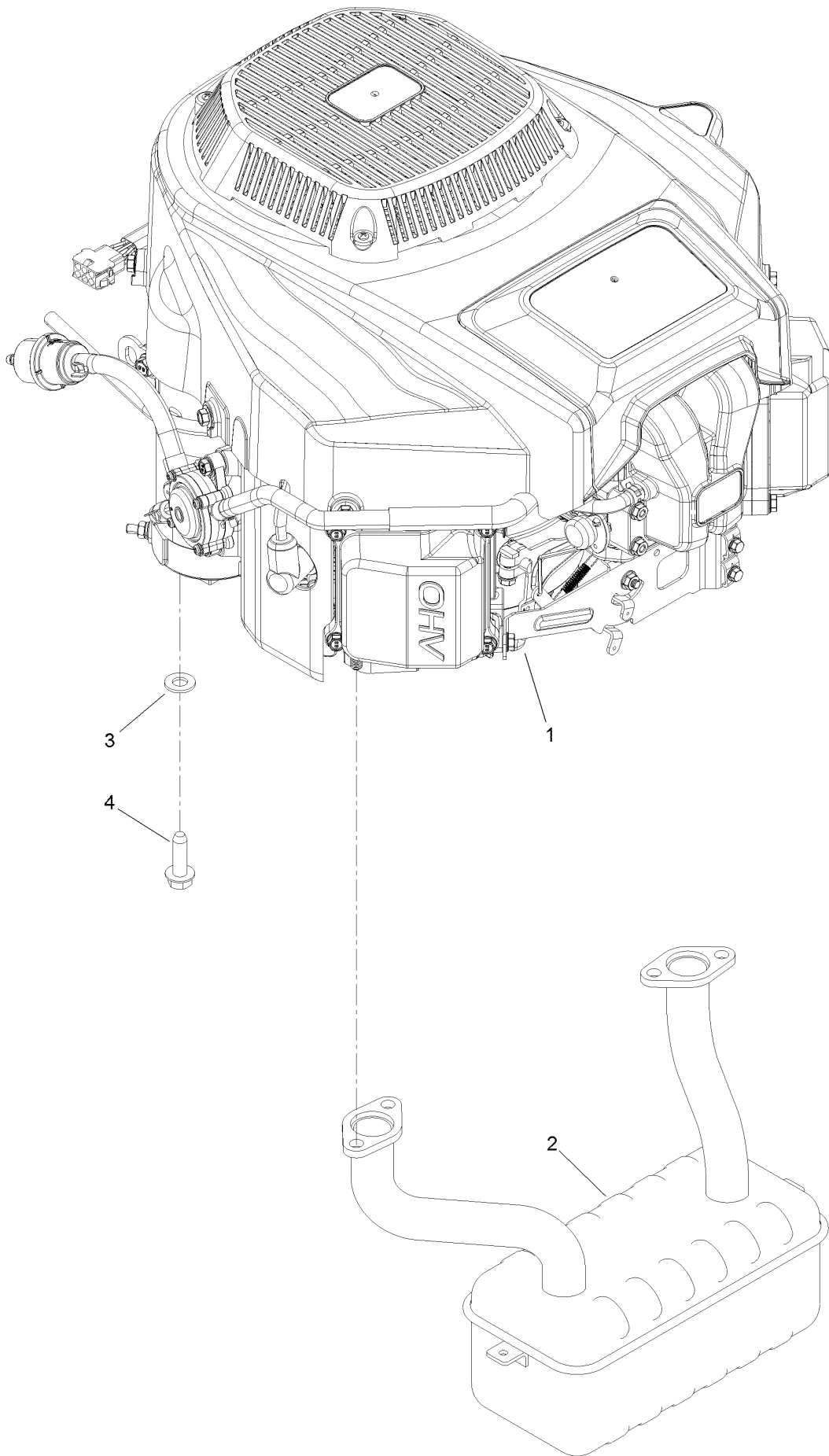




## Motion Control Assembly (continued)

<i>Ref.</i>	<i>Part Number</i>	<i>Qty.</i>	<i>Description</i>	<i>Ref.</i>	<i>Part Number</i>	<i>Qty.</i>	<i>Description</i>
1	136-5614-03	1	Box-Control, LH	20:1	121-0726	1	Grip
2	136-5613-03	1	Box-Control, RH	21	3256-24	4	Washer-Flat
4	32144-70	2	Screw-HWHTF	22	323-6	4	Screw-HH
5	3234-47	8	Screw-HHF	23	117-5385	2	Retainer
6	104-8300	12	Nut-HF, NI	24	32144-1	4	Screw-Taptite
7	119-3470	2	Actuator Arm ASM	25	133-5165	1	Control-Speed
7:2	256-156	2	Bushing-Flange	26	132-9368	1	Knob-RH
8	115-5099	2	Bolt-Pivot	27	132-9369	1	Knob-LH
9	104-8301	5	Nut-HF, NI	28	94-4496	1	Screw-PPH
10	120-2273	2	Washer-Nylon	29	117-5388	2	Rod-Hydro
11	136-5570-05	2	Arm-Control	30	119-8842	2	Mount-Rod, Hydro
12	117-1240	2	Washer	31	3256-23	2	Washer-Plain
13	117-1198	2	Bolt-Pivot	32	1-603807	2	Spring-Return, Neutral
14	119-8952	2	Washer	33	121-1753	2	Pin-Rod, Hydro
15	120-7950	2	Screw-Torx	34	93-6079	2	Spacer-Nylon
16	131-0964	2	Damper	35	321-3	2	Screw-HH
17	110-6810	2	Stud-Damper	36	3296-56	2	Nut-Lock, NI
18	3296-42	4	Nut-Lock, NI	37	119-8925	2	Washer-Belleville
19	133-7055	1	Handle-Control, LH	38	119-8876	2	Spring-Return
19:1	121-0726	1	Grip	41	136-2751-03	1	Gate-Control, Speed
20	133-7057	1	Handle-Control, RH	42	323-5	1	Screw-HH

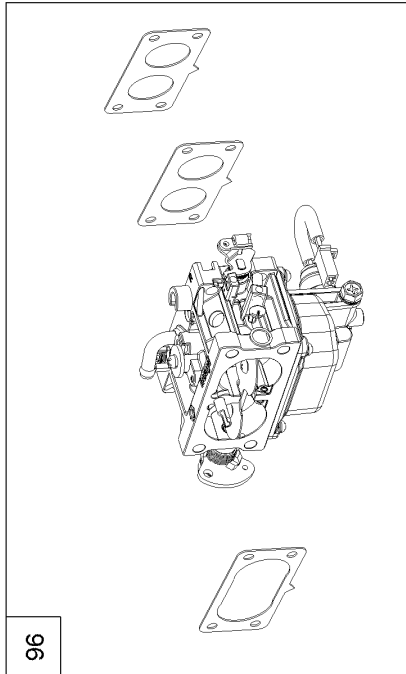
# Engine and Muffler Assembly



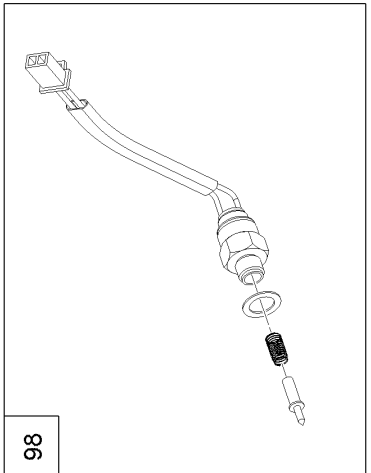
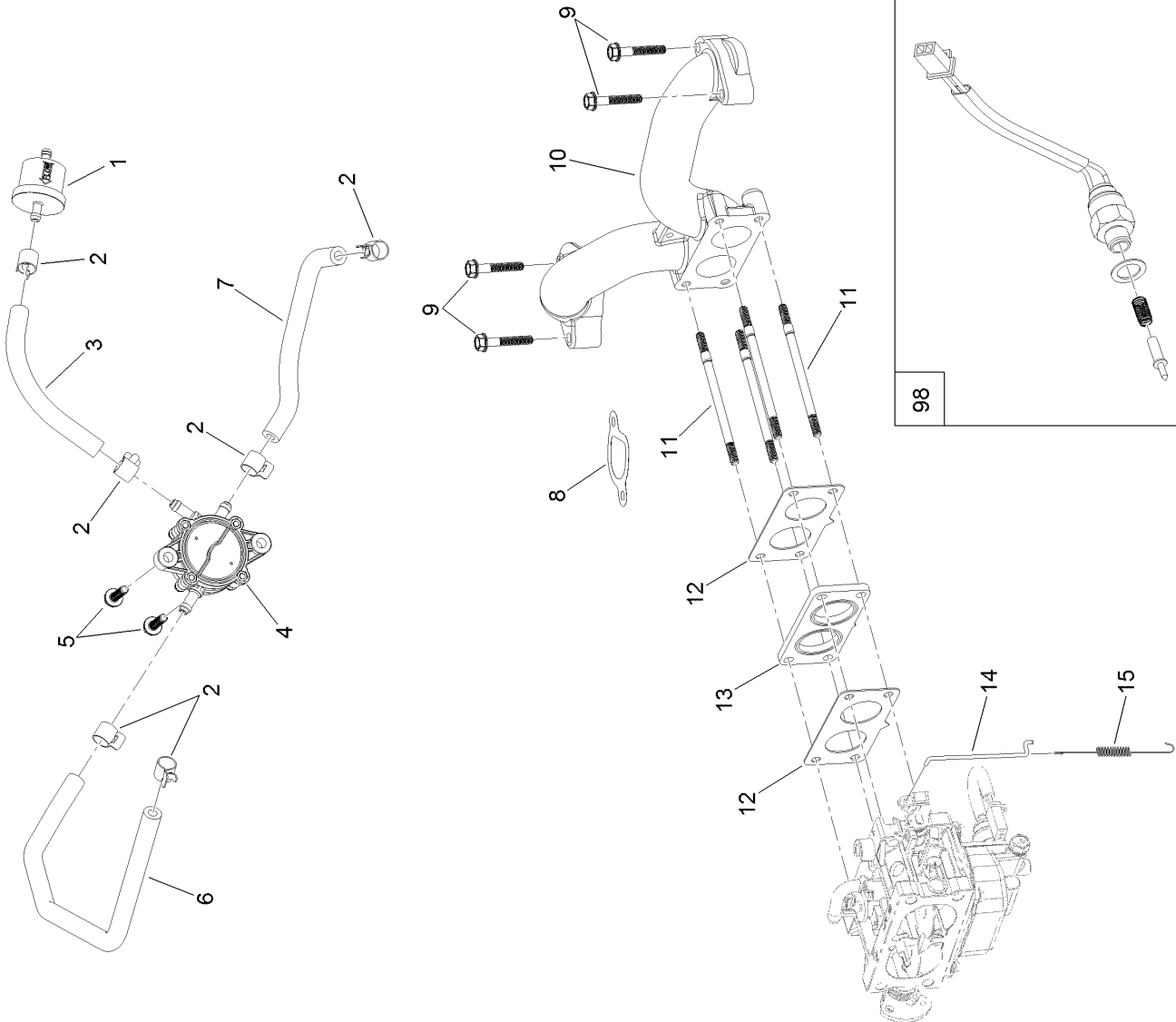
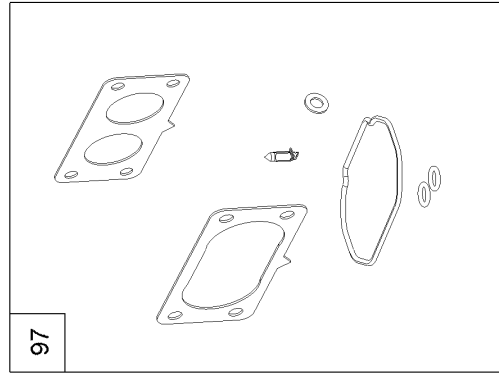
## Engine and Muffler Assembly (continued)

<i>Ref.</i>	<i>Part Number</i>	<i>Qty.</i>	<i>Description</i>	<i>Ref.</i>	<i>Part Number</i>	<i>Qty.</i>	<i>Description</i>
1	133-9871	1	Engine-2P77F	3	3256-24	4	Washer-Flat
2	130-6851	1	Muffler	4	32144-109	4	Screw-Thd

# Fuel System Assembly with Non-Canister Style Air Filter



If equipped with canister type air filter refer to kit model 136-7860 for carburetor assembly and internal carburetor parts.

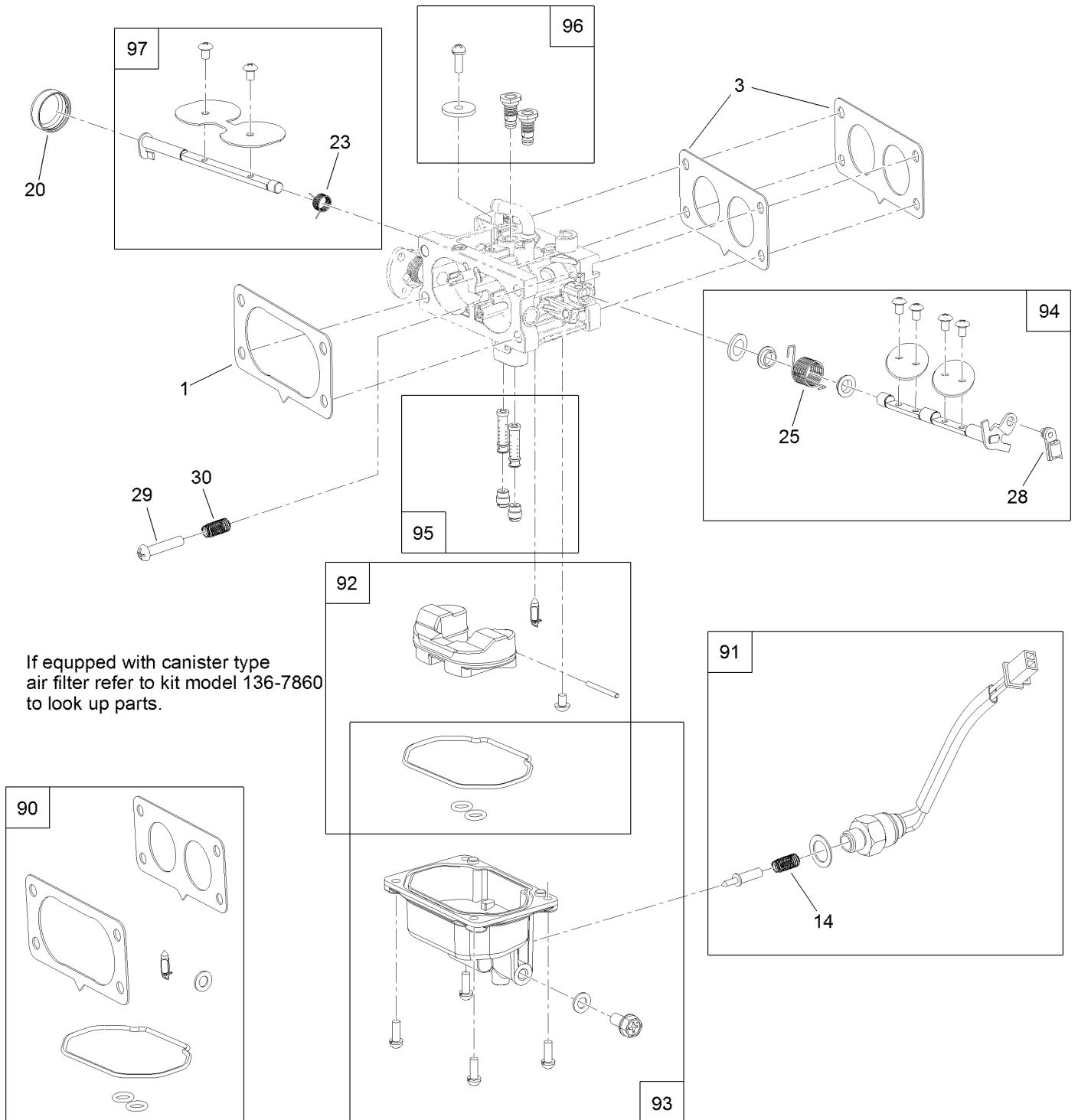


## Fuel System Assembly with Non-Canister Style Air Filter (continued)

<i>Ref.</i>	<i>Part Number</i>	<i>Qty.</i>	<i>Description</i>	<i>Ref.</i>	<i>Part Number</i>	<i>Qty.</i>	<i>Description</i>
1	133-1563	1	Filter-Fuel	11	127-9245	4	Stud
2	120-4251	6	Clamp-Fuel Line	12	127-9246	2	Gasket-Carburetor
3	120-4371	1	Line-Fuel	13	127-9247	1	Insulator-Carburetor
4	127-9206	1	Pump-Fuel	14	133-9963	1	Linkage-Throttle
5	120-4225	2	Screw-HHF	15	133-9964	1	Spring-Return, Throttle
6	127-9205	1	Hose-Fuel	96	133-9966	1	Carburetor Replacement Kit
7	127-9207	1	Hose-Fuel	97	127-9290	1	Carburetor Repair Kit
8	127-9230	2	Gasket-Intake	98	127-9292	1	Solenoid Kit
9	120-4284	4	Screw-HHF	99	133-9968	1	High Altitude Kit ●
10	127-9244	1	Manifold-Intake				

● Not illustrated

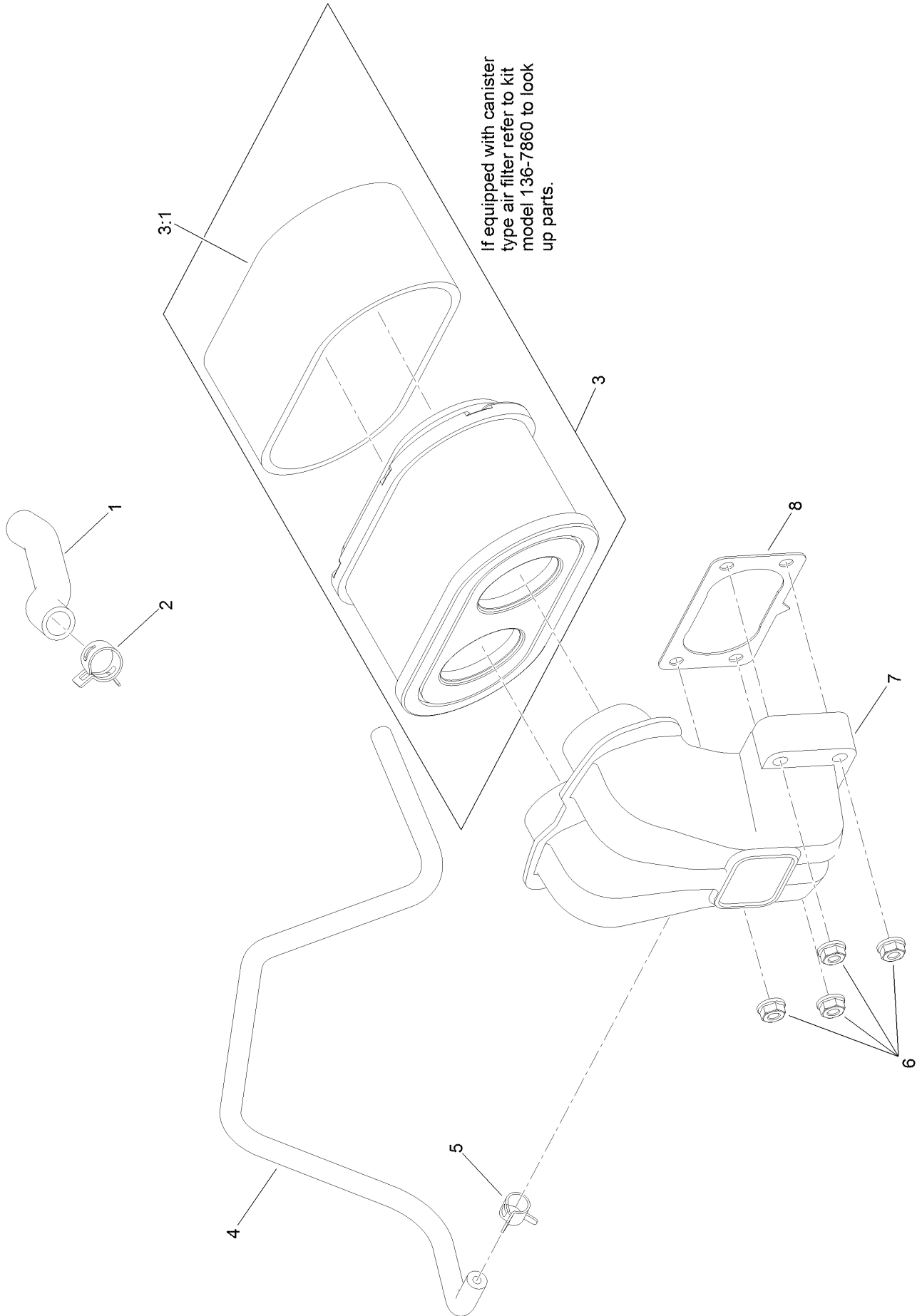
# Carburetor Assembly with Non-Canister Style Air Filter



## Carburetor Assembly with Non-Canister Style Air Filter (continued)

<i>Ref.</i>	<i>Part Number</i>	<i>Qty.</i>	<i>Description</i>	<i>Ref.</i>	<i>Part Number</i>	<i>Qty.</i>	<i>Description</i>
1	127-9251	1	Gasket-Carburetor	90	127-9290	1	Carburetor Repair Kit
3	127-9246	2	Gasket-Carburetor	91	127-9292	1	Solenoid Kit
14	127-9319	1	Spring	92	127-9340	1	Float Kit
20	127-9325	1	Cover-Shaft, Choke	93	127-9341	1	Bowl Kit
23	127-9328	1	Spring	94	133-9960	1	Throttle Shaft Kit
25	133-9957	1	Spring	95	133-9959	1	Nozzle And Jet Kit
28	127-9333	1	Clamp-Lock	96	133-9958	1	Air Jet Kit
29	127-9334	1	Screw-PPH	97	127-9345	1	Choke Shaft Kit
30	127-9335	1	Spring				

# Air Intake and Filtration Assembly with Non-Canister Style Air Filter

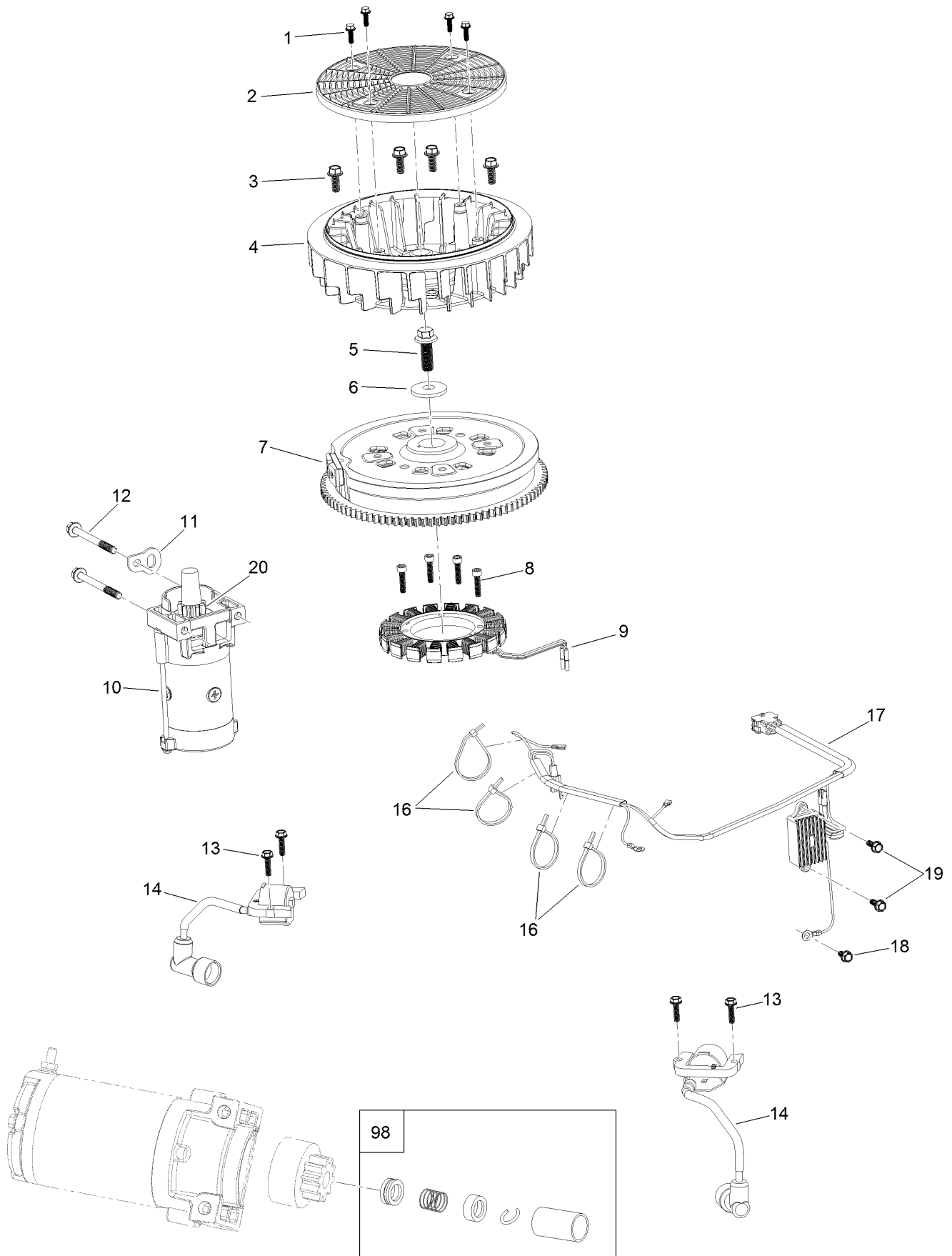




## Air Intake and Filtration Assembly with Non-Canister Style Air Filter (continued)

<i>Ref.</i>	<i>Part Number</i>	<i>Qty.</i>	<i>Description</i>	<i>Ref.</i>	<i>Part Number</i>	<i>Qty.</i>	<i>Description</i>
1	127-9235	1	Tube-Breather	5	127-9187	1	Clamp-Hose
2	127-9234	2	Clamp-Hose	6	120-4236	4	Nut-Flange
3	127-9252	1	Filter-Air, Complete	7	127-9047	1	Manifold-Filter, Air
3:1	127-9288	1	Filter-Pre, Foam	8	127-9251	1	Gasket-Carburetor
4	127-9253	1	Hose-Fuel				

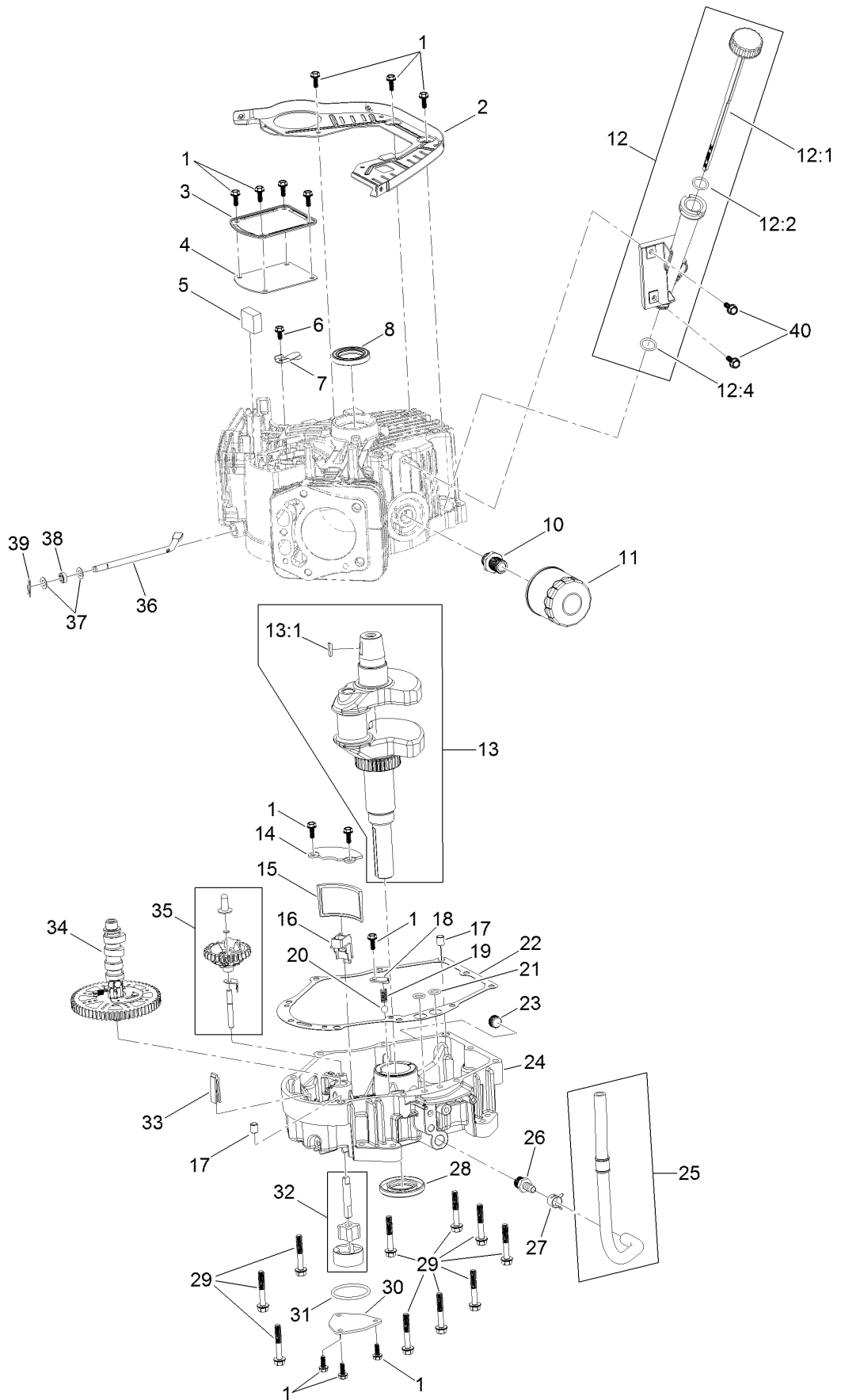
# Ignition and Electrical Assembly



## Ignition and Electrical Assembly (continued)

<i>Ref.</i>	<i>Part Number</i>	<i>Qty.</i>	<i>Description</i>	<i>Ref.</i>	<i>Part Number</i>	<i>Qty.</i>	<i>Description</i>
1	127-9197	4	Screw-HWH	12	120-4231	2	Screw-HHF
2	127-9198	1	Screen-Rotating	13	121-0007	4	Bolt-Flange
3	127-9199	4	Screw-HWH	14	127-9216	2	Ignition Coil ASM
4	127-9200	1	Fan-Cooling	16	127-9220	4	Tie-Zip
5	127-9201	1	Screw-HWH	17	127-9219	1	Regulator-Voltage W/Harness
6	127-9202	1	Washer-Spring	18	120-4216	1	Screw-HHF
7	127-9306	1	Flywheel	19	120-4232	2	Screw-HHF
8	127-9210	4	Screw-HSH	20	133-1562	1	Pinion-Starter
9	127-9211	1	Alternator	98	133-1566	1	Starter Repair Kit
10	133-9828	1	Motor-Starter				
11	127-9208	1	Bracket-Lift				

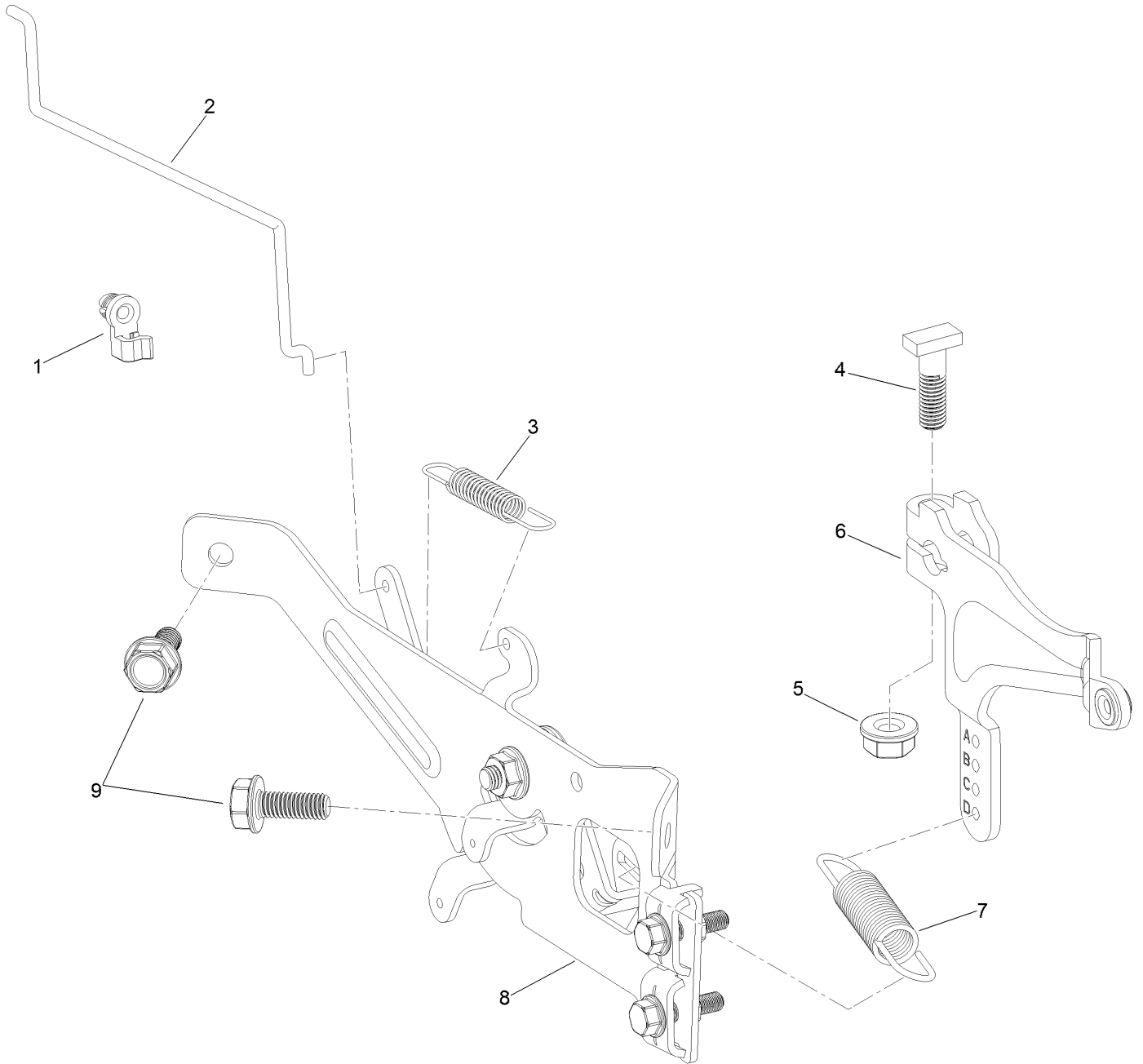
# Crankcase and Crankshaft Assembly



## Crankcase and Crankshaft Assembly (continued)

<i>Ref.</i>	<i>Part Number</i>	<i>Qty.</i>	<i>Description</i>	<i>Ref.</i>	<i>Part Number</i>	<i>Qty.</i>	<i>Description</i>
1	120-4232	14	Screw-HHF	20	127-9266	1	Valve-Ball
2	127-9212	1	Baffle	21	120-4262	2	O-Ring
3	127-9213	1	Cover-Breather	22	127-9267	1	Gasket-Cover, Crankcase
4	127-9214	1	Gasket-Breather	23	133-9805	1	Plug-Drain
5	127-9215	1	Filter-Breather	24	133-9806	1	Cover-Crankcase
6	120-4216	1	Screw-HHF	25	127-9293	1	Oil Drain Hose ASM
7	127-9217	1	Valve-Breather	26	127-9275	1	Fitting-Hose
8	120-4267	1	Seal-Oil	27	127-9276	1	Clamp-Hose
10	120-4346	1	Adaptor-Filter, Oil	28	127-9271	1	Seal
11	120-4276	1	Filter-Oil	29	121-0473	10	Screw-HHF
12	127-9218	1	Oil Tube ASM	30	127-9274	1	Cover-Oil Pump
12:1	127-9283	1	Dipstick	31	127-9273	1	O-Ring
12:2	127-9284	1	O-Ring	32	127-9272	1	Oil Pump ASM
12:4	127-9286	1	O-Ring	33	120-4275	1	Deflector-Oil, Rubber
13	127-9255	1	Crankshaft	34	133-1568	1	Camshaft
13:1	120-4320	1	Key-Woodruff	35	133-9807	1	Governor ASM
14	127-9261	1	Cover-Screen, Oil	36	127-9238	1	Shaft-Governor
15	127-9262	1	Screen-Oil	37	120-4258	2	Washer-Plain
16	127-9263	1	Retainer-Screen	38	120-4257	1	Seal-Oil
17	120-4274	2	Pin-Dowel	39	120-4256	1	Pin-Hair
18	127-9264	1	Plate-Retainer	40	120-4232	2	Screw-HHF
19	127-9265	1	Spring				

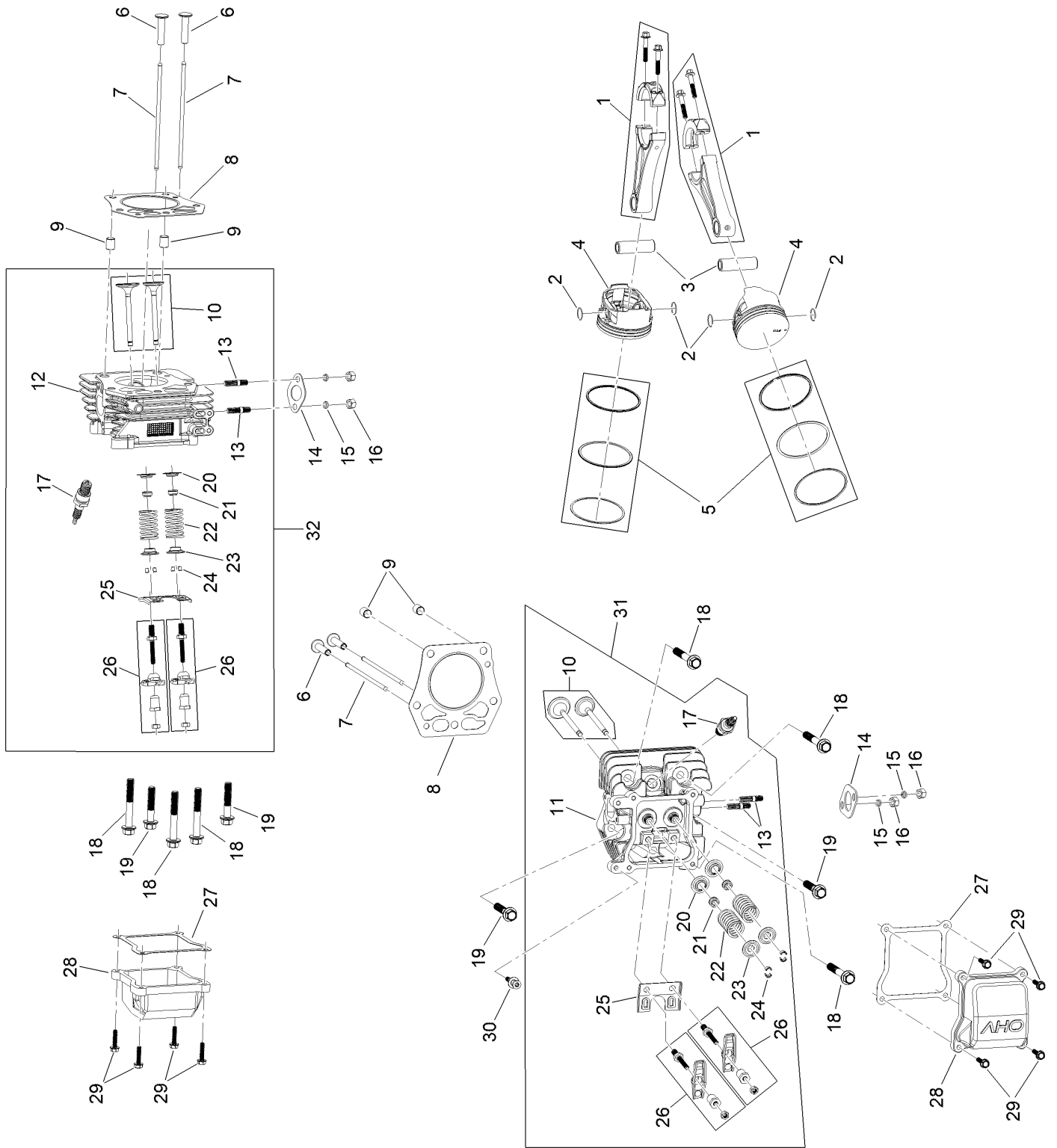
# Governor Control Assembly



## Governor Control Assembly (continued)

<i>Ref.</i>	<i>Part Number</i>	<i>Qty.</i>	<i>Description</i>	<i>Ref.</i>	<i>Part Number</i>	<i>Qty.</i>	<i>Description</i>
1	127-9250	1	Clip-Linkage	6	133-9961	1	Arm-Governor
2	127-9242	1	Linkage-Choke	7	133-9962	1	Spring-Governor
3	127-9241	1	Spring-Governor	8	133-1570	1	Control Plate ASM
4	120-4238	1	Bolt-Arm, Governor	9	120-4232	2	Screw-HHF
5	120-4236	1	Nut-Flange				

# Piston and Cylinder Head Assembly

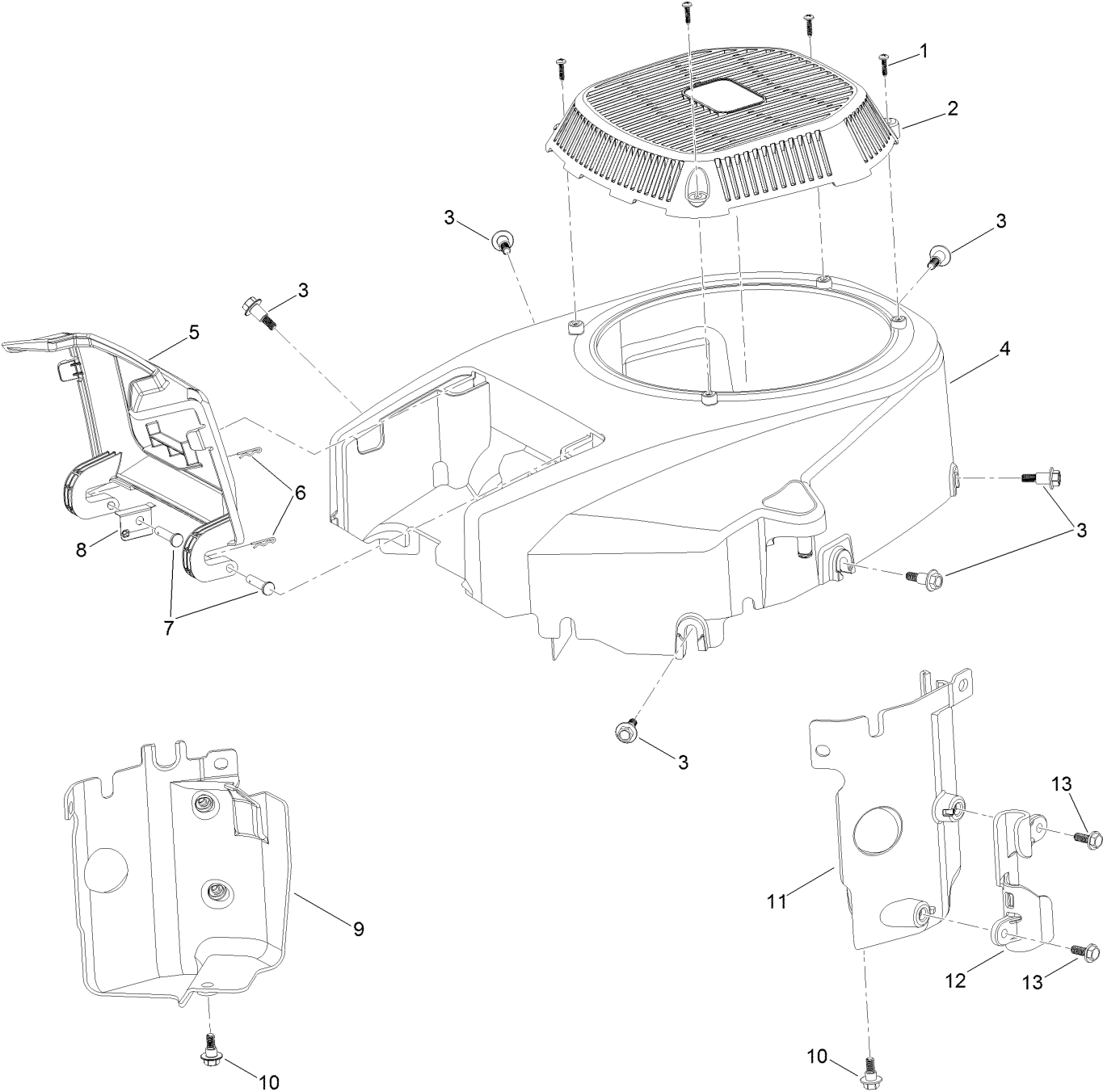




## Piston and Cylinder Head Assembly (continued)

<i>Ref.</i>	<i>Part Number</i>	<i>Qty.</i>	<i>Description</i>	<i>Ref.</i>	<i>Part Number</i>	<i>Qty.</i>	<i>Description</i>
1	127-9256	2	Connecting Rod ASM	17	81-3250	2	Spark Plug
2	127-9258	4	Clip-Pin, Piston	18	127-9231	6	Screw-HWH
3	127-9257	2	Pin-Piston	19	127-9232	4	Screw-HWH
4	127-9259	2	Piston	20	120-4303	4	Seat-Spring, Valve
5	127-9260	2	Piston Ring Set	21	120-4304	4	Seal-Stem, Valve
6	127-9224	4	Lifter-Valve	22	120-4305	4	Spring-Valve
7	127-9225	4	Rod-Push	23	120-4306	4	Retainer-Spring, Valve
8	127-9226	2	Gasket-Head, Cylinder	24	120-4307	8	Keeper-Valve
9	127-9227	4	Pin-Dowel	25	127-9233	2	Plate-Guide, Push Rod
10	127-9228	2	Valve Set	26	127-9294	4	Rocker Arm ASM
11	133-9802	1	Head-Cylinder, Right	27	127-9295	2	Gasket-Valve Cover
12	133-9804	1	Head-Cylinder, Left	28	127-9050	2	Cover-Valve
13	121-0464	4	Stud-Exhaust	29	120-4225	8	Screw-HHF
14	120-4317	2	Gasket-Exhaust	30	120-4214	1	Screw-Shoulder, HH
15	127-9279	4	Washer-Lock, Split	31	133-9819	1	Right Head ASM
16	121-0199	4	Nut-HH	32	133-9820	1	Left Head ASM

# Blower Housing Assembly

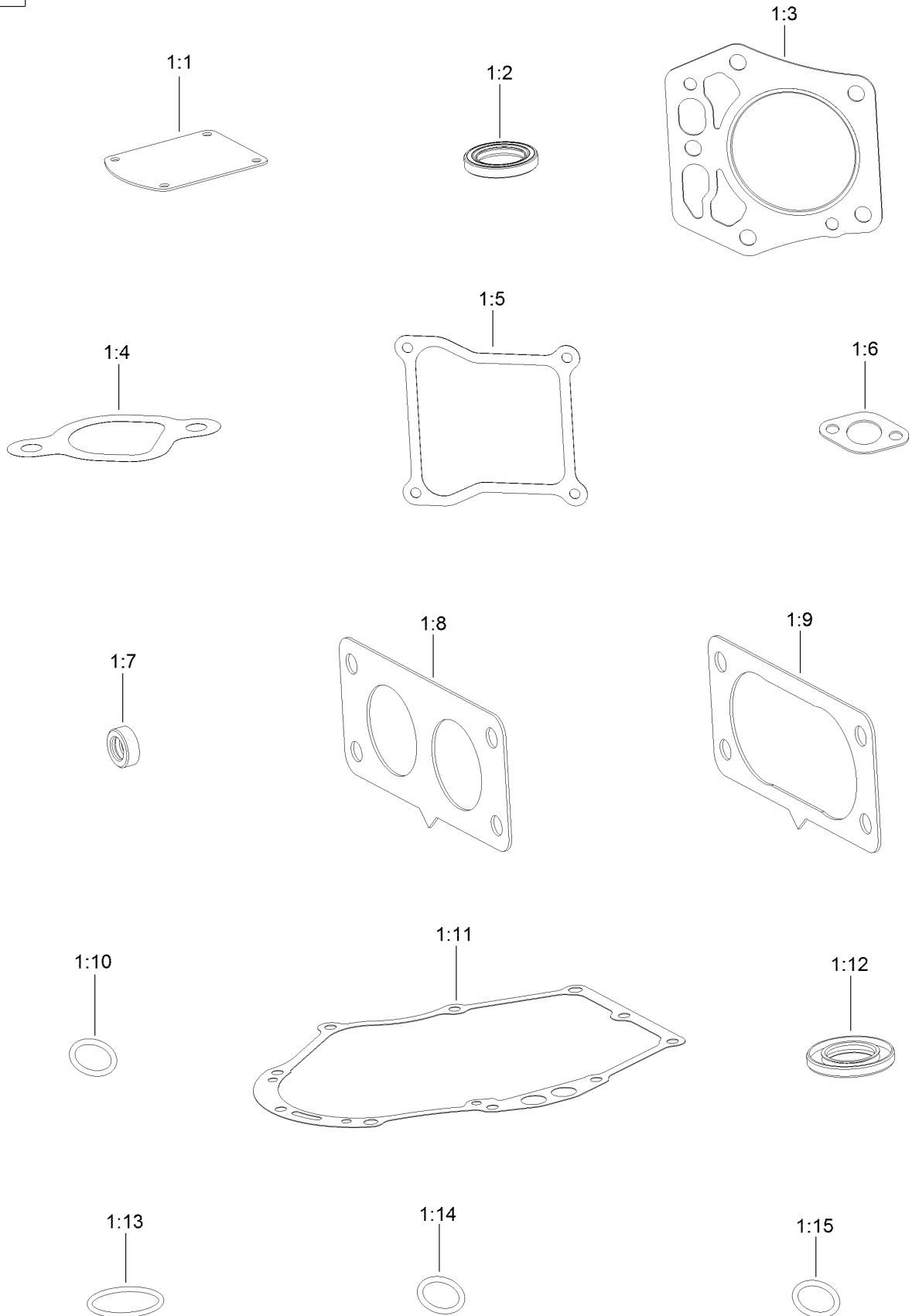


## Blower Housing Assembly (continued)

<i>Ref.</i>	<i>Part Number</i>	<i>Qty.</i>	<i>Description</i>	<i>Ref.</i>	<i>Part Number</i>	<i>Qty.</i>	<i>Description</i>
1	133-1571	4	Screw-PPH, Plastic	8	127-9281	1	Plate-Spring
2	127-9045	1	Cover-Fan	9	127-9049	1	Baffle-Air, Left
3	127-9196	6	Screw-Shoulder, HWH	10	120-4210	2	Screw-Shoulder, HHF
4	133-1572	1	Shroud-Engine	11	127-9048	1	Baffle-Air, Right
5	127-9046	1	Door-Filter, Air	12	127-9287	1	Cleat-Hose
6	127-9280	2	Pin-Hair	13	120-4232	2	Screw-HHF
7	127-9282	2	Pin				

# Gasket and Seal Kit

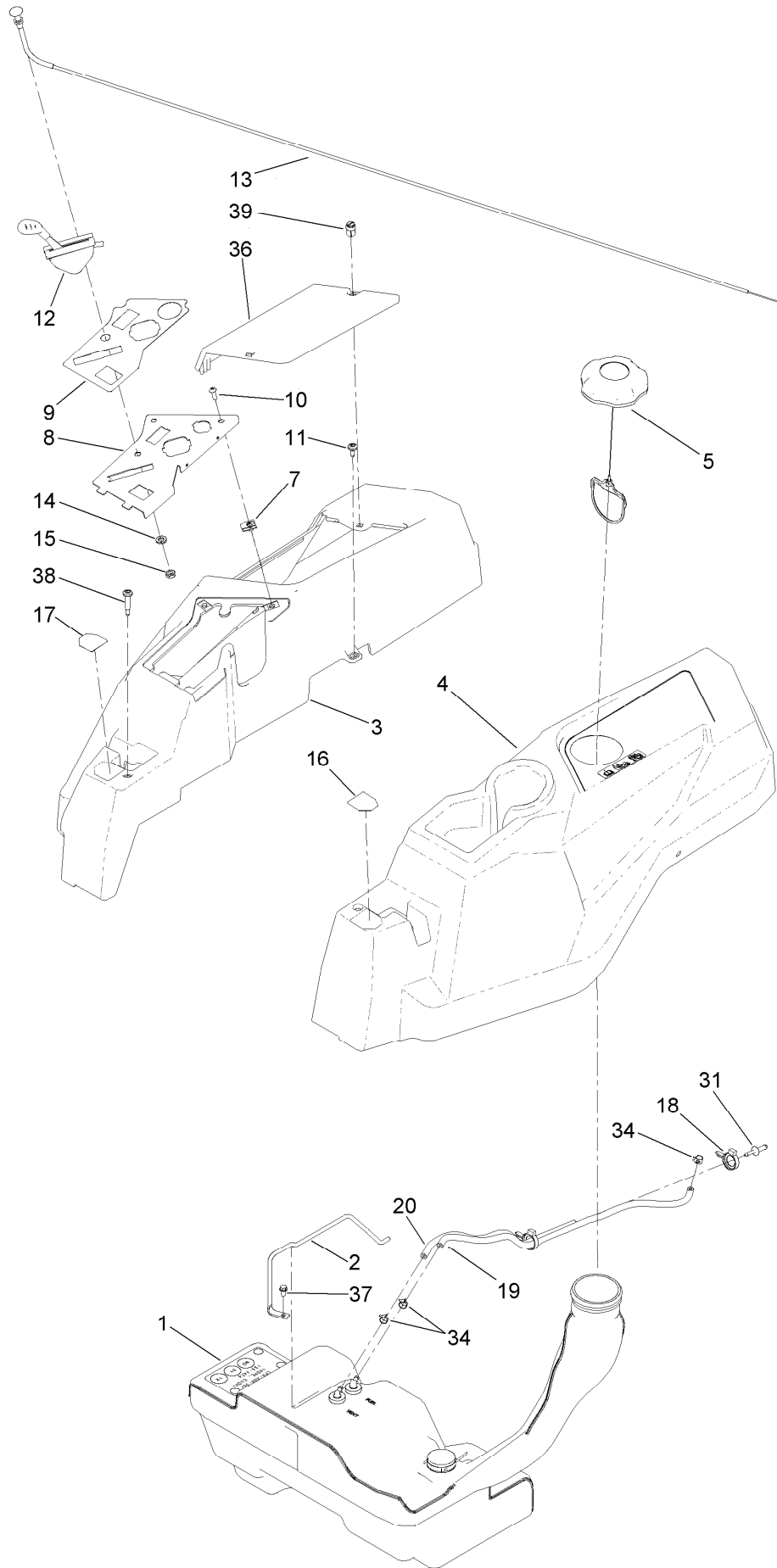
1



## Gasket and Seal Kit (continued)

<i>Ref.</i>	<i>Part Number</i>	<i>Qty.</i>	<i>Description</i>	<i>Ref.</i>	<i>Part Number</i>	<i>Qty.</i>	<i>Description</i>
1	127-9296	1	Gasket And Seal Kit	1:8	127-9246	2	Gasket-Carburetor
1:1	127-9214	1	Gasket-Breather	1:9	127-9251	1	Gasket-Carburetor
1:2	120-4267	1	Seal-Oil	1:10	120-4262	2	O-Ring
1:3	127-9226	2	Gasket-Head, Cylinder	1:11	127-9267	1	Gasket-Cover, Crankcase
1:4	127-9230	2	Gasket-Intake	1:12	127-9271	1	Seal
1:5	127-9295	2	Gasket-Valve Cover	1:13	127-9273	1	O-Ring
1:6	120-4317	2	Gasket-Exhaust	1:14	127-9284	1	O-Ring
1:7	120-4257	1	Seal-Oil	1:15	127-9286	1	O-Ring

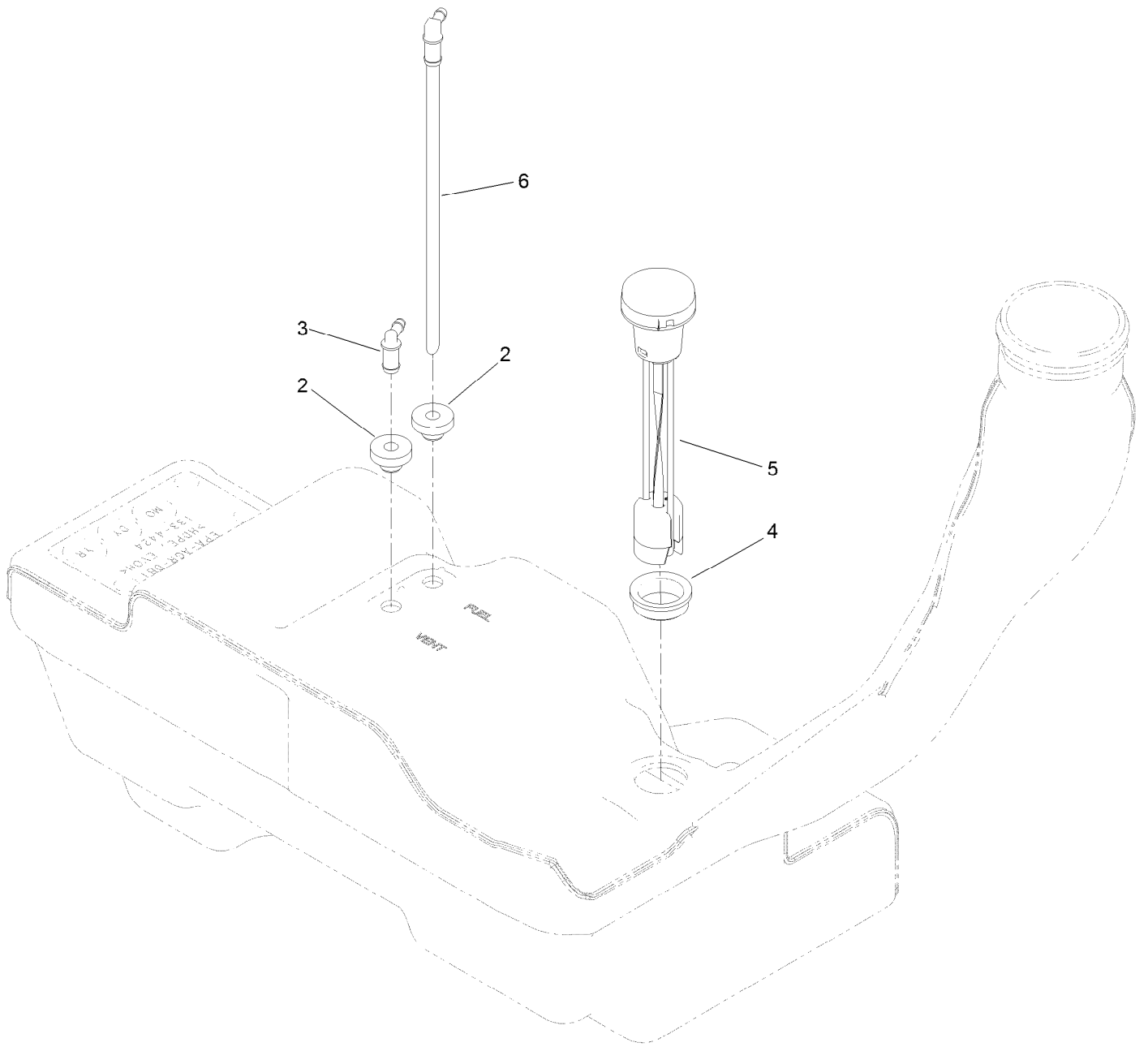
# Body Styling and Fuel Tank Assembly



## Body Styling and Fuel Tank Assembly (continued)

<i>Ref.</i>	<i>Part Number</i>	<i>Qty.</i>	<i>Description</i>	<i>Ref.</i>	<i>Part Number</i>	<i>Qty.</i>	<i>Description</i>
1	133-4484	1	Fuel Tank ASM	15	3220-3	1	Nut-HJ
2	136-4180	1	Rod-Hold Down	16	136-4243	1	Decal-Lever, Control (LH)
3	133-9307	1	Pod-RH	17	136-4244	1	Decal-Lever, Control (RH)
4	133-9315	1	Pod-LH	18	105-1853	2	Clamp-Hose
5	120-5461	1	Cap-Fuel, Ratcheting	19	110-5701	1	Hose-Fuel
7	107069	2	Clip	20	136-7525	1	Hose-Fuel
8	133-9346-03	1	Panel-Control	31	117-5399	1	Adaptor-Orifice
9	133-9263	1	Decal-Control W/Choke	34	2412-98	3	Clamp-Hose
10	3258-166	2	Screw-PRH	36	133-9308	1	Cover-Battery
11	120-7950	4	Screw-Torx	37	32144-4	1	Screw-HWH
12	136-5622	1	Cable-Throttle	38	136-4195	2	Screw-Shoulder
13	112-9753	1	Cable-Choke	39	121-5840	2	Fastener
14	3253-21	1	Washer-Lock				

# Fuel Tank Assembly No. 133-4484

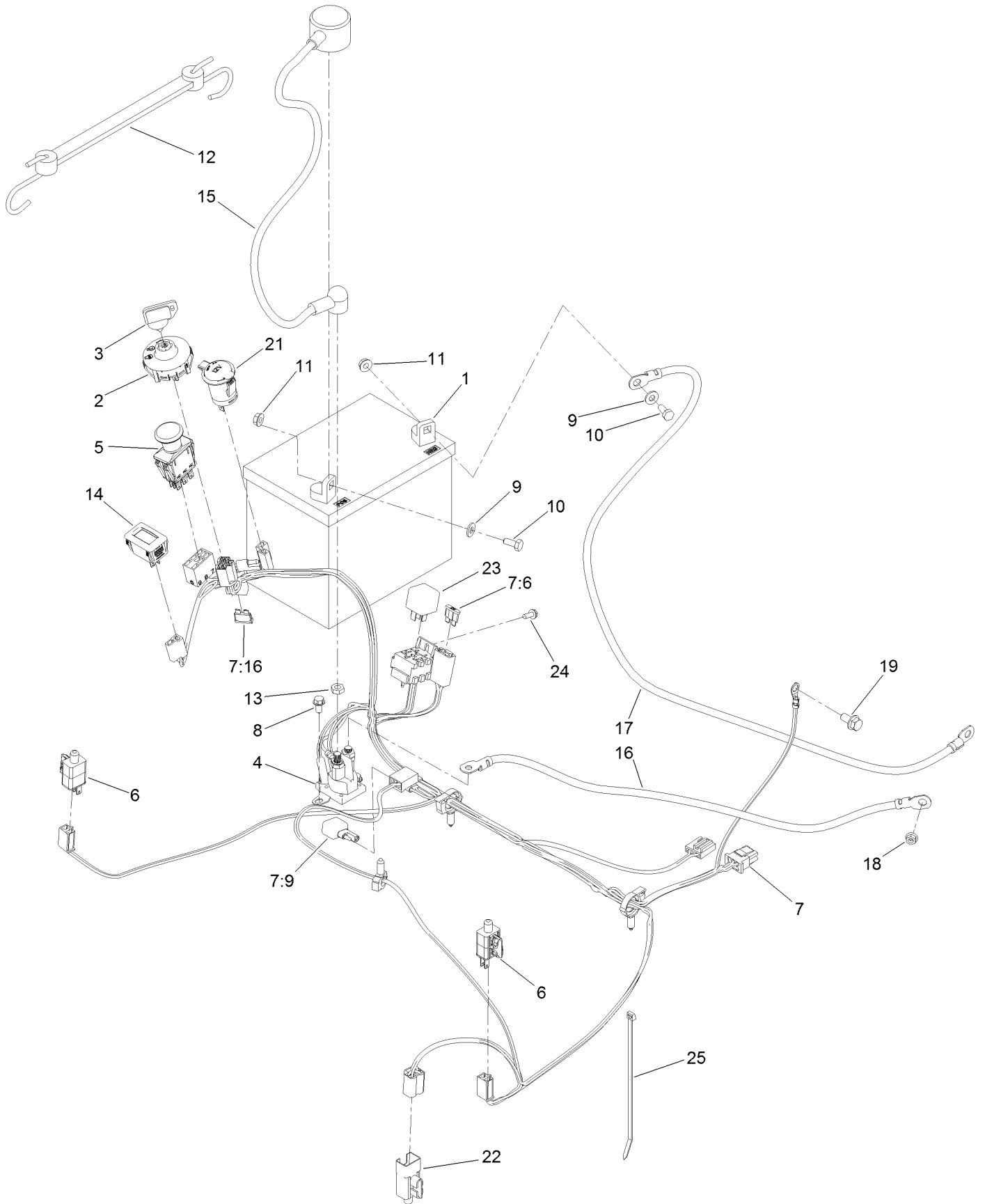




## Fuel Tank Assembly No. 133-4484 (continued)

<i>Ref.</i>	<i>Part Number</i>	<i>Qty.</i>	<i>Description</i>	<i>Ref.</i>	<i>Part Number</i>	<i>Qty.</i>	<i>Description</i>
2	46-6560	2	Bushing	5	133-9270	1	Gauge-Fuel
3	117-7400	1	Fitting-Plastic	6	121-0793	1	Connector-Elbow, 90 DEG
4	133-9269	1	Grommet-Fuel				

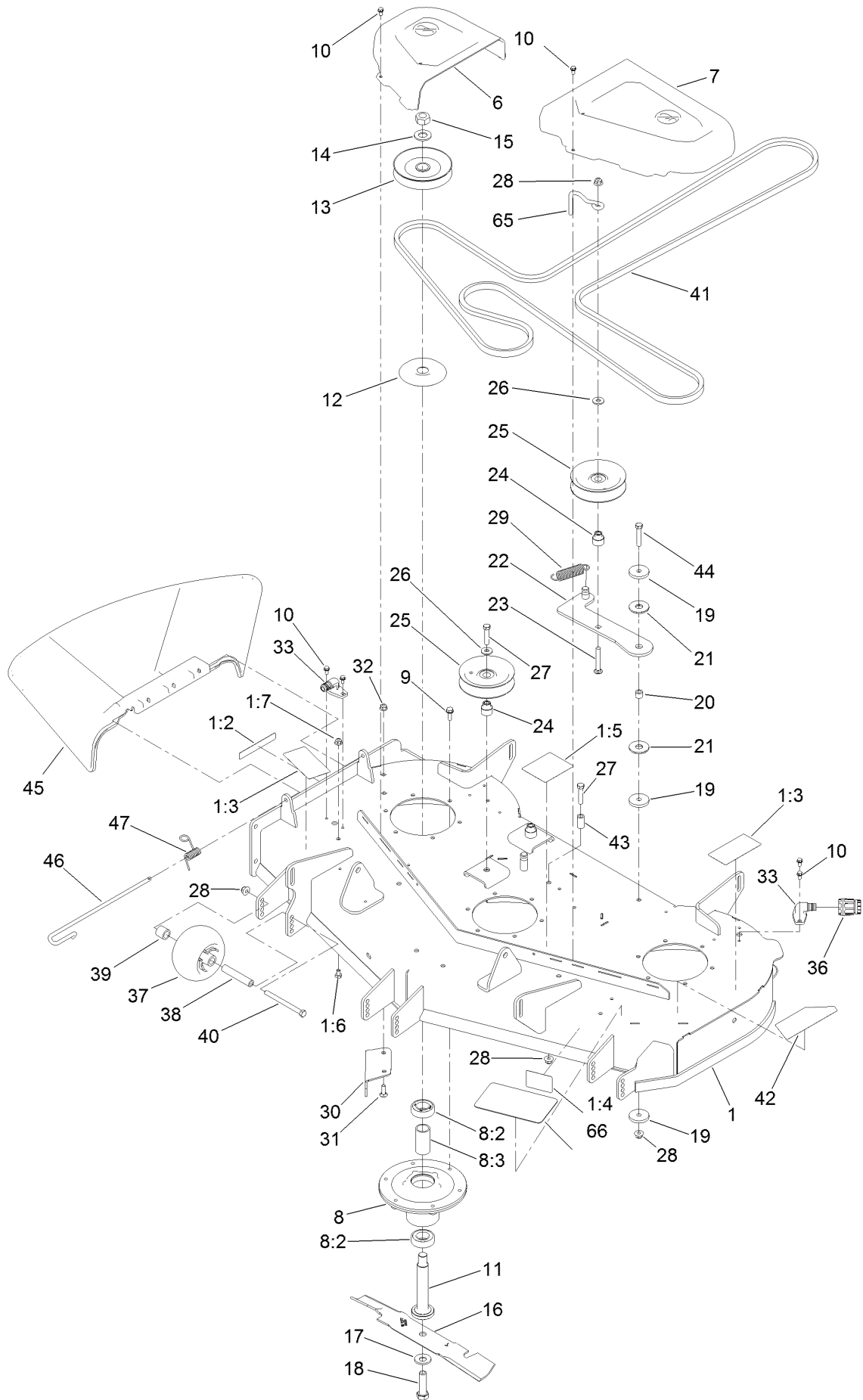
# Electrical Assembly



## Electrical Assembly (continued)

<i>Ref.</i>	<i>Part Number</i>	<i>Qty.</i>	<i>Description</i>	<i>Ref.</i>	<i>Part Number</i>	<i>Qty.</i>	<i>Description</i>
1	105-1692	1	Battery, 230CCA W/O Electrolyte	11	32128-33	2	Nut-HF
2	137-4100	1	Switch-Ignition	12	104-2466	1	Holddown-Battery
3	63-8360	1	Key-Ignition	13	3220-2	2	Nut-Jam
4	117-1197	1	Solenoid	14	120-2244	1	Hourmeter
5	103-5221	1	Switch-PTO	15	115-3864	1	Cable-Battery, Positive
6	110-6765	2	Switch	16	136-7473	1	Cable-Battery, Positive
7	136-4191	1	Harness-Wiring	17	117-7240	1	Cable-Battery, Negative
7:6	109102	1	Fuse-Blade, 25 Amp	18	33003-00	1	Nut-HF
7:9	100-4918	1	Diode	19	3234-14	1	Screw-HHF
7:16	109355	1	Fuse-Blade, 15 Amp	21	126-6499	1	Port-Power, 12V
8	32144-4	2	Screw-HWH	22	99-7408	1	Switch-Reverse
9	3256-22	2	Washer-Flat	23	98-7249	1	Relay
10	321-3	2	Screw-HH	24	32144-1	1	Screw-Taptite
				25	614249	1	Tie-Cable

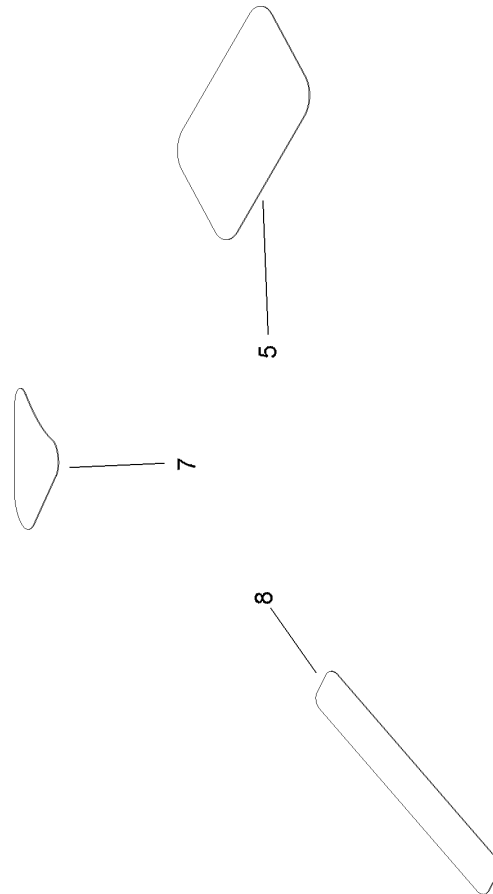
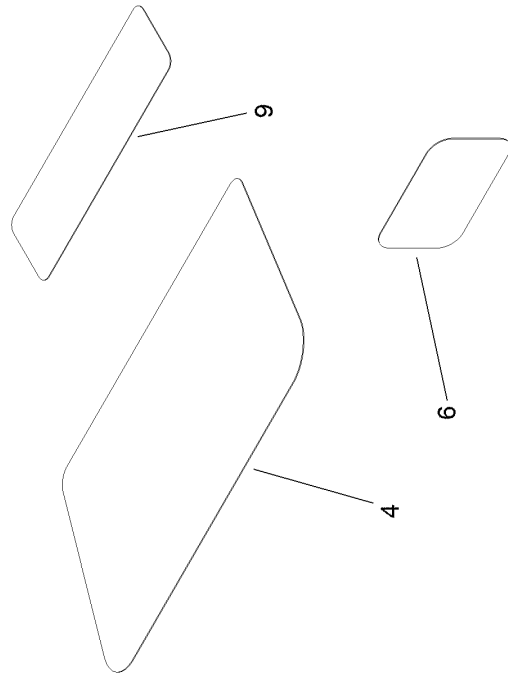
# Deck Assembly



## Deck Assembly (continued)

<i>Ref.</i>	<i>Part Number</i>	<i>Qty.</i>	<i>Description</i>	<i>Ref.</i>	<i>Part Number</i>	<i>Qty.</i>	<i>Description</i>
1	133-7066	1	Deck ASM	23	3231-31	1	Screw-CARR
1:2	130-0731	1	Decal-Danger	24	115-2577	3	Bushing-Idler
1:3	132-0872	2	Decal-Danger, Deck	25	132-4718	3	Pulley-Idler, Flat
1:4	130-0765	1	Decal-Scalp, Anti	26	80-6990	3	Washer-Hardened
1:5	117-1194	1	Decal-Routing, Belt	27	323-9	3	Screw-HH
1:6	322-1	1	Screw-HH	28	104-8301	6	Nut-HF, NI
1:7	104-8300	1	Nut-HF, NI	29	108-4056	1	Spring-Extension
6	133-9283	1	Cover-Belt, RH	30	117-7418-03	1	Baffle-Cutoff
7	133-9282	1	Cover-Belt, LH	31	3230-22	2	Screw-CARR
8	120-5477	3	Spindle ASM	32	104-8300	2	Nut-HF, NI
8:2	116-0720	2	Bearing-Ball	33	133-9289	2	Fitting-Washout
8:3	115-2641	1	Spacer-Bearing	36	95-3270	1	Connector-Hose
9	32144-41	18	Screw-Taptite	37	1-603299	3	Roller-Scalp, Anti
10	32144-4	12	Screw-HWH	38	98-7912	3	Tube-Spanner
11	115-2642	3	Shaft-Spindle	39	104-0892	3	Spacer-Axle, Rear
12	117-7210	3	Shield-Bearing	40	323-23	3	Screw-HH
13	117-7326	3	Pulley	41	133-7075	1	V-Belt
14	7-4150	3	Washer	42	119-3382	1	Decal-Deck
15	3219-7	3	Nut-Hex	43	1-603401	1	Spacer
16	117-7277-03	3	Blade-Hi Flo, 16.50 Inch	44	323-10	1	Screw-HH
17	125-1736	3	Washer-Belleville	45	133-1212	1	Deflector-Discharge
18	51-4060	3	Screw-Blade	46	109-8854	1	Pin-Chute
19	110-9981	3	Washer-Plain	47	121-2983	1	Spring-Torsion
20	1-413088	1	Bushing-Lever, Lift	65	136-5615	1	Guide-Belt, Idler
21	114-0463	2	Washer-Friction, Composite	66	133-9313	1	Tread-Step
22	115-5054	1	Arm-Idler				

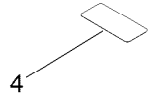
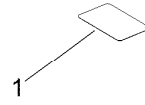
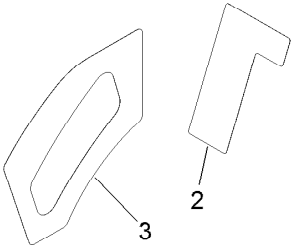
# Model Specific Decal Assembly



## Model Specific Decal Assembly (continued)

<i>Ref.</i>	<i>Part Number</i>	<i>Qty.</i>	<i>Description</i>	<i>Ref.</i>	<i>Part Number</i>	<i>Qty.</i>	<i>Description</i>
4	136-5618	1	Decal-Engine	7	131-1097	1	Decal-Drain, Oil
5	131-4157	1	Decal	8	132-0904	1	Decal-Shutdown
6	127-9076	1	Placard-Intake	9	136-9186	1	Decal-Bucket

# Series Decal Assembly

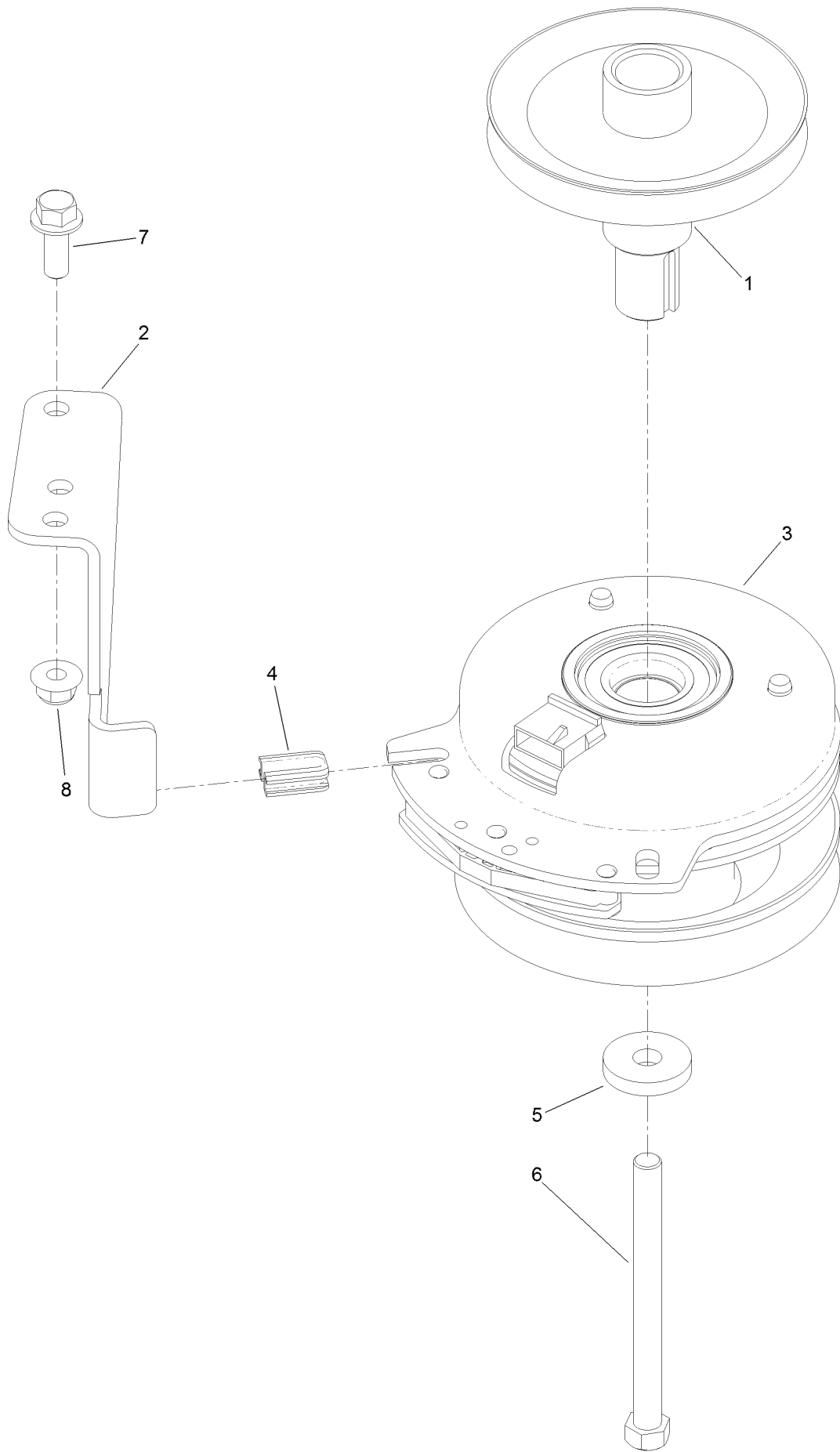




## Series Decal Assembly (continued)

<i>Ref.</i>	<i>Part Number</i>	<i>Qty.</i>	<i>Description</i>	<i>Ref.</i>	<i>Part Number</i>	<i>Qty.</i>	<i>Description</i>
1	136-5596	1	Decal-Maintenance	3	130-0654	1	Decal-HOC
2	136-4245	1	Decal-Smart Speed	4	121-5684	1	Decal-Location, Service Dealer

# Clutch Assembly



## Clutch Assembly (continued)

<i>Ref.</i>	<i>Part Number</i>	<i>Qty.</i>	<i>Description</i>	<i>Ref.</i>	<i>Part Number</i>	<i>Qty.</i>	<i>Description</i>
1	133-1208	1	Pulley-Engine	5	112843	1	Washer
2	119-8885	1	Stop-Clutch	6	3212-19	1	Screw-HH
3	127-3410	1	Clutch-PTO	7	3234-42	1	Screw-HHF
4	120-2217	1	Isolator-Clutch	8	104-8301	1	Nut-HF, NI

# Attachments and Accessories

## For 75211 TimeCutter HD MR4800 Riding Mower

<b>Product Name</b>	<b>Model/Part</b>
48in Striping Kit.....	119-3380
Leaf Bagging Enhancement Kit .....	119-3381
Jack Kit.....	127-6666
Deck Lift Assist Kit .....	132-6850
5 Gallon Bucket .....	133-2533
48in Recycler Kit.....	136-7488
Mount Kit .....	136-7491
Weight Kit .....	136-7492
Light Kit.....	136-7493
Bucket Mount.....	136-7494
Rops Kit .....	136-7495
HD Air Cleaner Kit .....	136-7860
Jack Mount Kit .....	136-9200
HD Shock and Spring Kit .....	137-2042
Cargo Carrier.....	79040
EZ Vac Complete Twin Bagger .....	79345

**Notes:**

**Notes:**

**Notes:**



**Count on it.**