



Count on it.

Parts Catalog

**Outcross® 9060 Series
Traction Unit**

Model No. 07511AA—Serial No. 41000000 and Up



Ordering Replacement Parts

To order replacement parts, please supply the part number, the quantity, and the description of each part desired.

Understanding Reference Numbers

Each identified part in an illustration has a reference number. The reference number for a part also appears in the parts list, along with other information about the part.

This catalog uses two special reference number formats, one to indicate parts in a service assembly and another to indicate the quantity of a given part in an illustration.

Service Assembly Reference Numbers

Parts in service assemblies have reference numbers in the form a:b. The a represents the reference number of the entire service assembly and the b represents a sequential number unique to each part within the service assembly.

For example, a wheel assembly might be identified by reference number 6, the tire by 6:1, the valve by 6:2, and the wheel by 6:3. When you order the assembly identified by reference number 6, you receive all parts identified by reference numbers 6:1, 6:2, and 6:3. However, you may also order any part individually. Reference numbers of this type appear in illustration and in parts lists.

Reference Numbers Indicating Quantity

In an illustration, if a reference number indicates more than one part, the reference number has the form nX y. The n represents the quantity of the part, the X is the multiplication symbol, and the y represents the reference number.

For example, in an illustration, the reference number 2X 37 means that two of the parts identified by reference number 37 are indicated.

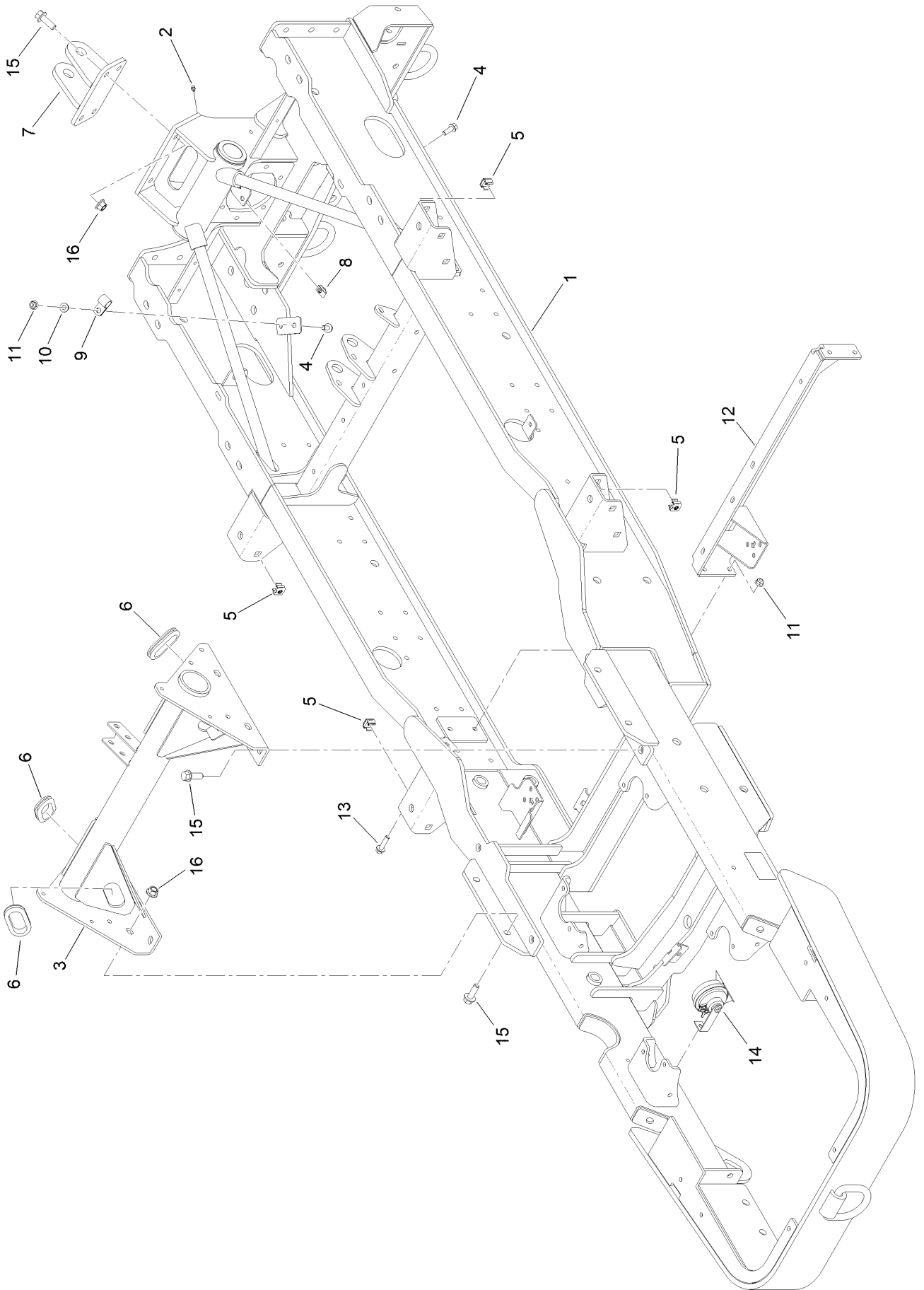
Contents

Rear Frame Assembly	6
Rear Frame Decal and Bushing Assembly	8
Front Axle Assembly	10
Front Axle Axle Housing Assembly	12
Front Axle Swivel Housings and Trunnions Assembly	14
Front Axle Bevel Gear Set Assembly	16
Front Axle Double U-Joint Assembly	18
Front Axle Wheel Hub Assembly	20
Front Axle Planetary Carrier Assembly	22
Motor Assembly No. 131-5635	24
Hydraulic Cylinder Assembly No. 133-4863	26
Tie Rod Assembly No. 133-4760	28
Gearbox Assembly No. 144-9715	30
Rear Axle Assembly	32
Rear Axle Axle Housing Assembly	34
Rear Axle Swivel Housings and Trunnions Assembly	36
Rear Axle Bevel Gear Set Assembly	38
Rear Axle Double U-Joint Assembly	40
Rear Axle Wheel Hub Assembly	42
Rear Axle Planetary Carrier Assembly	44
Parking Brake Assembly No. 133-4850	46
Hydraulic Cylinder Assembly No. 133-4864	48
Standard Box Assembly	50
Panel Assembly	52
Steering Assembly	54
Steering Valve Assembly No. 131-5626	56
Paddle Shift Assembly	58
Pedal Assembly	60
Dash and Console Control Assembly	62
Dash Component Assembly	64
Engine Assembly	66
Exhaust and Bracket Assembly	68
Screen and Support Assembly	70
Radiator Assembly	72
Engine Cooling and Hose Assembly	74
Transmission, Gearbox and Gear Pump Assembly	76
Hydraulic Tandem Pump Assembly No. 131-5625	78
Hydraulic Gear Pump Assembly No. 131-5632	80
Gearbox Assembly No. 138-4083	82
Transmission, Gearbox and Gear Pump Fitting Assembly	84
Driveshaft and Gearbox Assembly	86
Gearbox Assembly No. 133-4790	88
Drawbar Hitch and Upper Link Assembly	90
Rear Lift Assembly	92
Hydraulic Cylinder Assembly No. 133-7622	94
Lower Link Assembly	96
RH Extendable Arm Assembly	98
LH Extendable Arm Assembly	100
Operator Platform Assembly	102
Beacon Assembly No. 119-8096	104
Seat Mount Assembly	106
Air Ride Seat Suspension Assembly No. 130-2702	108
Premium Seat Assembly No. 138-3806	110
Floor Grips and Hydraulic Tube Assembly	112

Contents (continued)

Manifold, Filter and Auxiliary Valve Assembly	114
Hydraulic Valve Assembly No. 131-5637	116
Manifold Assembly No. 131-5639	118
Hydraulic Tank Assembly	120
Hydraulic Tank, Manifold, and Auxiliary Valve Fitting Assembly	122
Hydraulic Hose and Tube Assembly	124
Hydraulic Hose Assembly 1	126
Hydraulic Hose Assembly 2	128
Hydraulic Hose Assembly 3	130
Fuel Pump and Filter Assembly	132
Fuel Tank and Line Assembly	134
Hood Assembly	136
Hood Assembly No. 138-4138	138
Air Intake Assembly	140
Air Cleaner Assembly No. 99-5410	142
Shield Assembly	144
Battery Assembly	146
Engine Wire Harness Assembly	148
Platform Wire Harness Assembly	150
Frame Wire Harness Assembly	152
Headlight Wire Harness Assembly	154
Cylinder Block Assembly	156
Gear Housing Assembly	158
Flywheel Housing and Oil Sump Assembly	160
Cylinder Head and Cover Assembly	162
Suction Manifold Assembly	164
Exhaust Manifold Assembly	166
Diesel Particulate Filter Assembly	168
Camshaft and Driving Gear Assembly	170
Turbine Assembly	172
Crankshaft and Piston Assembly	174
Lubrication and Oil System Assembly	176
Lubrication Oil Pipe Assembly	178
Cooling Water System Assembly	180
Fuel Supply Pump Assembly	182
Fuel Injection Valve Assembly	184
Fuel Pipe Assembly	186
Starter Motor Assembly	188
Generator Assembly	190
Electronic Control Unit Assembly	192
Electric Parts Assembly	194
Miscellaneous Engine Parts	196
Gasket Set	198
Attachments and Accessories	200

Rear Frame Assembly

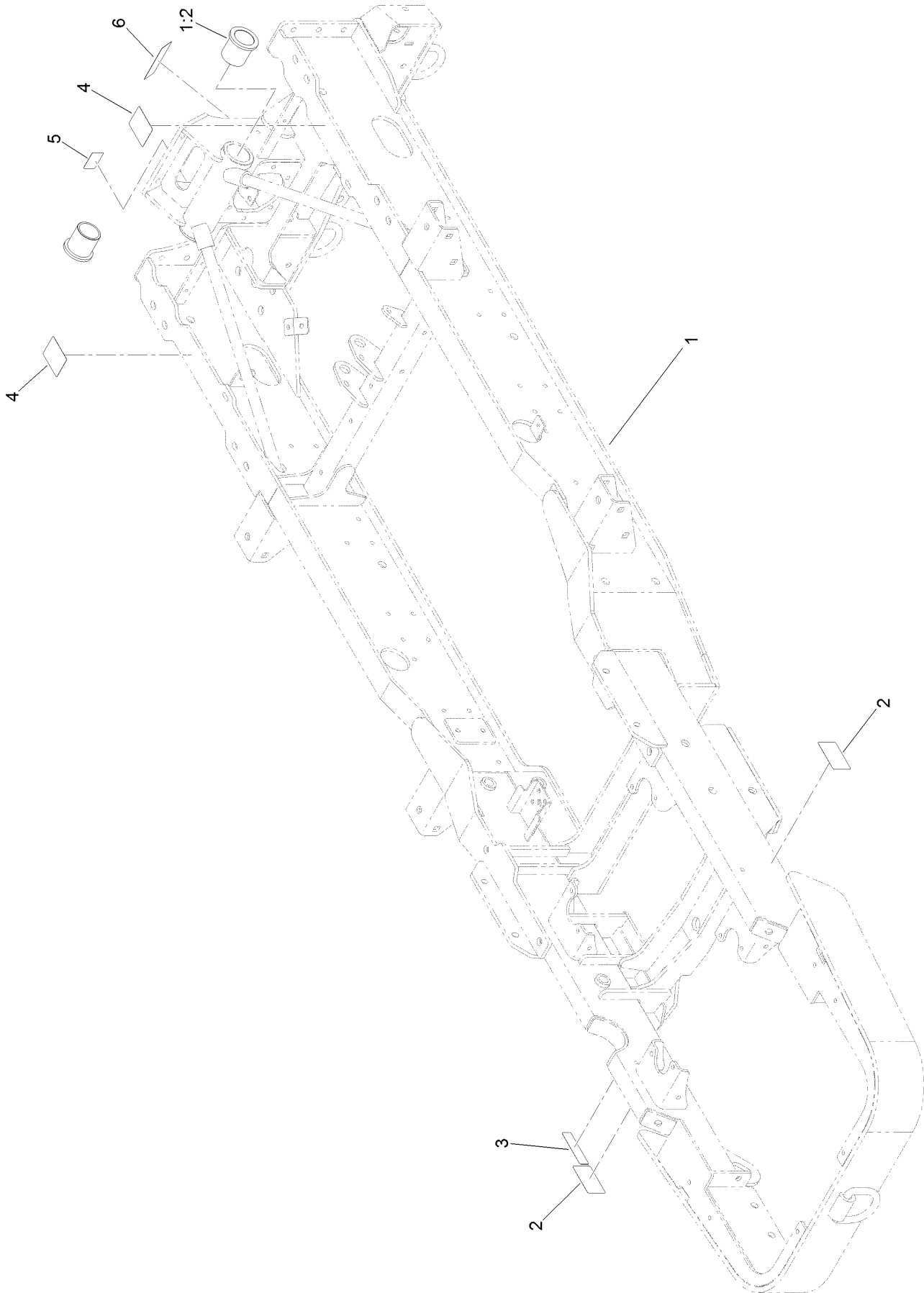


Rear Frame Assembly (continued)

<i>Ref.</i>	<i>Part Number</i>	<i>Qty.</i>	<i>Description</i>	<i>Ref.</i>	<i>Part Number</i>	<i>Qty.</i>	<i>Description</i>
1		1	Frame ASM ●	9	2412-81	2	Clamp-R
2	302-5	1	Fitting-Grease	10	3256-24	2	Washer-Flat
3	136-5050-03	1	Support-Frame	11	104-8301	6	Nut-HF, NI
4	3234-42	2	Screw-HHF	12	136-9960-0P	1	Crossmember
5	138-4106	8	Nut-Clip, Sq	13	114-4681	4	Screw-HHF
6	126-0015	3	Grommet	14	116749	1	Horn
7	131-5487-03	1	Attach-Link	15	100-6116	12	Screw-HHF
8	94-2413	1	Nut-U	16	99-5107	8	Nut-Lock

● Not serviced separately

Rear Frame Decal and Bushing Assembly

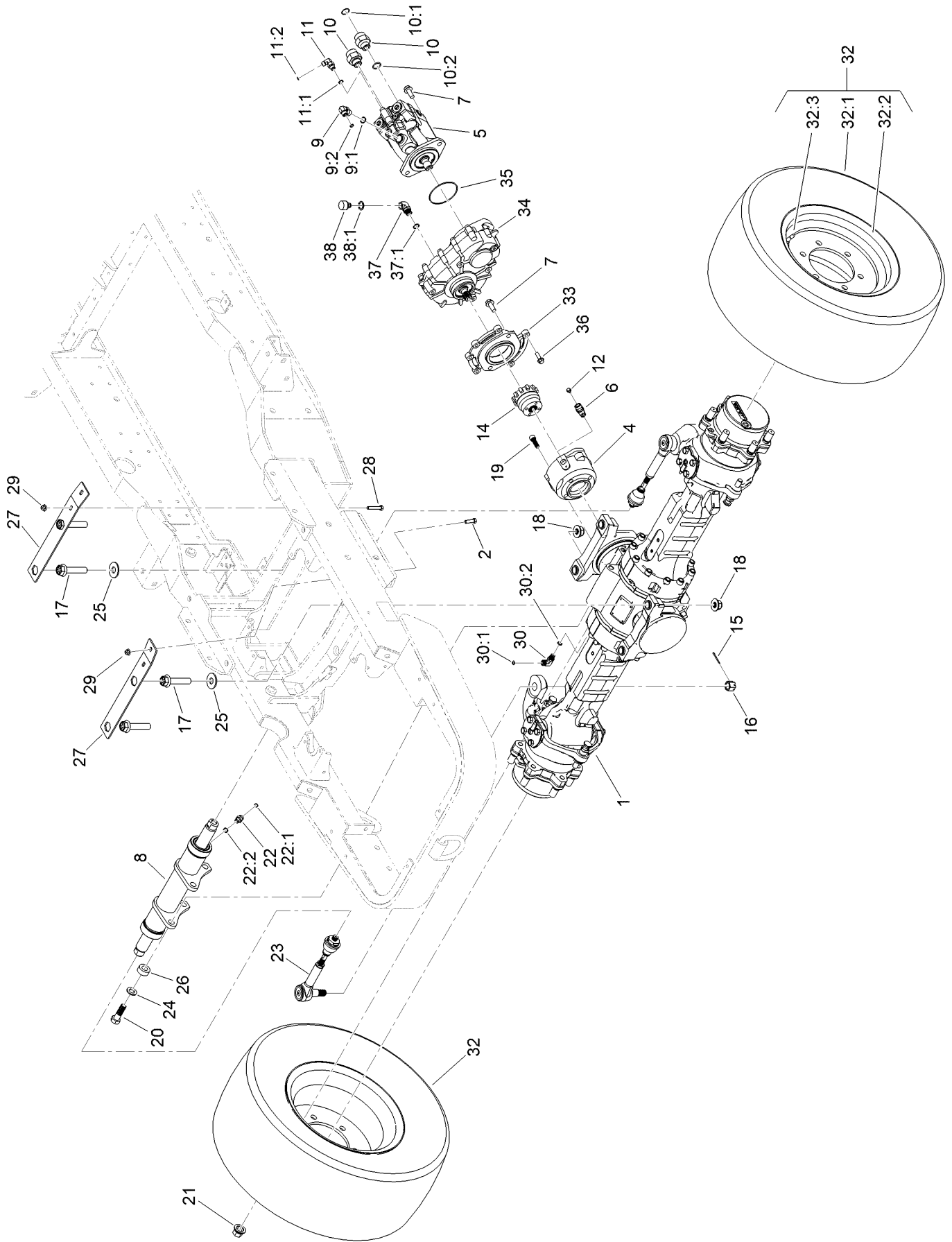


Rear Frame Decal and Bushing Assembly (continued)

<i>Ref.</i>	<i>Part Number</i>	<i>Qty.</i>	<i>Description</i>	<i>Ref.</i>	<i>Part Number</i>	<i>Qty.</i>	<i>Description</i>
1		1	Frame ASM ●	4	138-3799	2	Decal-Warning
1:2	125-4386	2	Bushing-Castor	5	138-4061	1	Decal-Load, Towing
2	106-6754	2	Decal-Danger	6	125-6119	1	Decal-Danger
3	133-8062	1	Decal-Arrestor, Spark				

● Not serviced separately

Front Axle Assembly

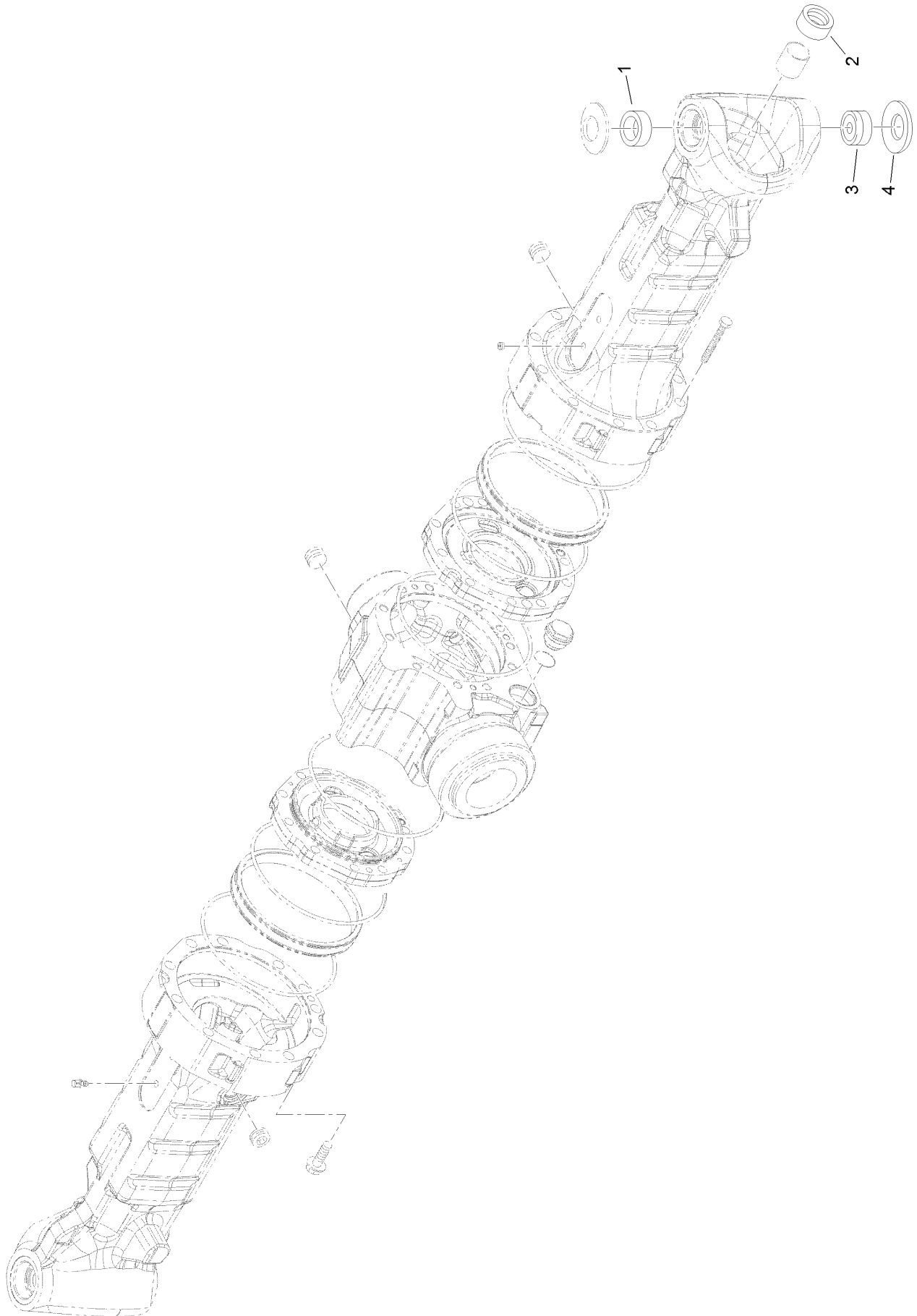


Front Axle Assembly (continued)

<i>Ref.</i>	<i>Part Number</i>	<i>Qty.</i>	<i>Description</i>	<i>Ref.</i>	<i>Part Number</i>	<i>Qty.</i>	<i>Description</i>
1	133-4861	1	Front Steerable Axle ASM	22	340-2	2	Fitting-Straight
2	323-7	1	Screw-HH	22:1	237-22	1	O-Ring
4	133-7683	1	Mount-Motor, Front	22:2	237-42	1	O-Ring
5	131-5635	1	Hydraulic Motor ASM	23	133-4760	2	Tie Rod ASM
6	136-5271	1	Sensor-Geartooth	24	136-5267	4	Washer-Plain
7	3234-38	4	Screw-HHF	25	3256-8	4	Washer-Flat
8	133-4863	1	Cylinder-HYD, Front	26	136-5276	4	Spacer
9	340-18	1	Fitting-HYD, 90 DEG	27	136-9747-0P	2	Strap-Retainer
9:1	237-79	1	O-Ring	28	323-10	1	Screw-HH
9:2	237-22	1	O-Ring	29	104-8301	2	Nut-HF, NI
10	87-7290	2	Fitting-STR	30	133-7658	1	Fitting-Elbow, 90 DEG
10:1	340-65	1	O-Ring	30:1	237-22	1	O-Ring
10:2	237-81	1	O-Ring	30:2	133-7657	1	O-Ring, M14
11	340-82	1	Fitting-Elbow, 90 DEG	32		2	Tire And Wheel ASM ●
11:1	237-42	1	O-Ring	32:1	136-5270	1	Tire-Turf
11:2	237-21	1	O-Ring	32:2	133-4892	1	Wheel-Turf (15 X 8)
12	33103-012	2	Screw-HHF	32:3	232-24	1	Stem-Valve
14	138-4054	1	Axle Coupler ASM	33	144-9714	1	Adapter-Gearbox
15	3272-13	2	Pin-Cotter	34	144-9715	1	Gearbox ASM
16	133-7763	2	Nut-Slotted	35	107-9447	1	O-Ring
17	138-4087	4	Screw-HHF	36	119-4061	4	Screw-HHF
18	138-4082	4	Nut-HF	37	354-118	1	Fitting-HYD, 90 DEG
19	136-5255	4	Screw-HSH	37:1	237-79	1	O-Ring
20	136-5259	4	Screw-HH	38	133-2359	1	Breather-Vent, Nylon
21	133-7706	12	Nut-Wheel	38:1	133-5659	1	Washer-Rubber

● Not serviced separately

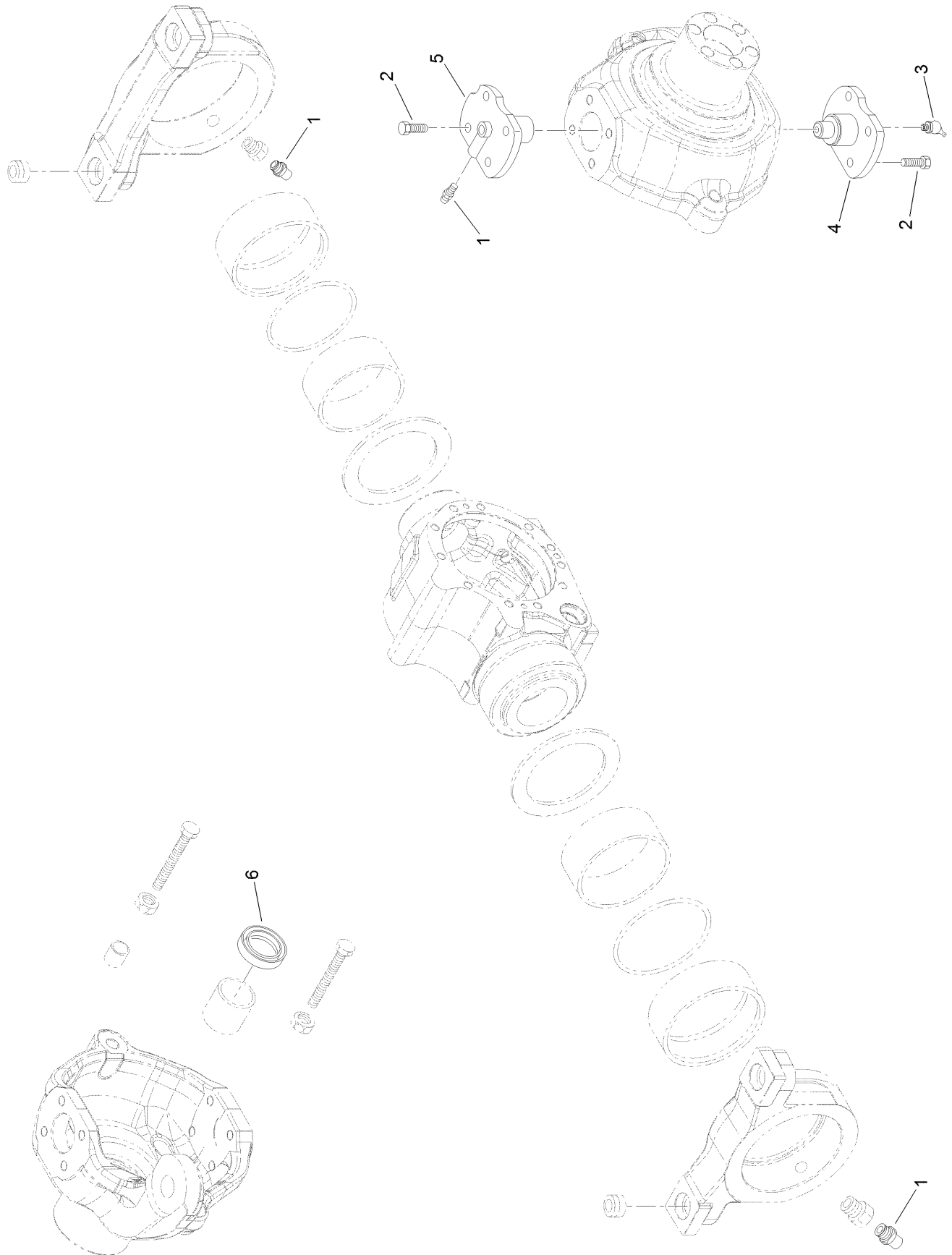
Front Axle Axle Housing Assembly



Front Axle Axle Housing Assembly (continued)

<i>Ref.</i>	<i>Part Number</i>	<i>Qty.</i>	<i>Description</i>	<i>Ref.</i>	<i>Part Number</i>	<i>Qty.</i>	<i>Description</i>
1	138-7817	2	Bushing	3	138-7816	2	Joint-Spherical
2	133-5253	2	Ring-Seal, Oil	4	AU122268A1	2	Washer

Front Axle Swivel Housings and Trunnions Assembly

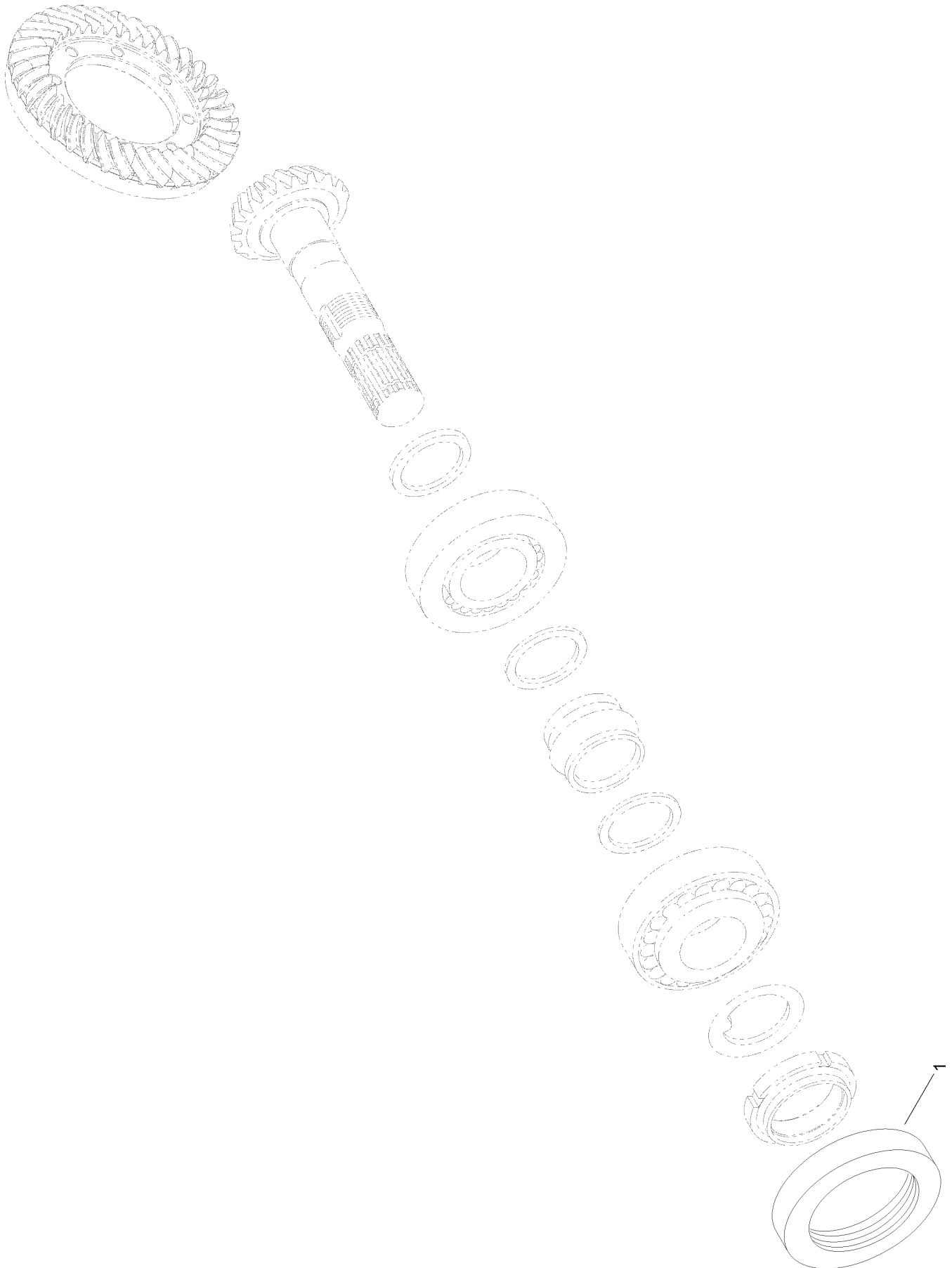


Front Axle

Swivel Housings and Trunnions Assembly (continued)

<i>Ref.</i>	<i>Part Number</i>	<i>Qty.</i>	<i>Description</i>	<i>Ref.</i>	<i>Part Number</i>	<i>Qty.</i>	<i>Description</i>
1	133-5215	4	Greaser-Nipple	4	138-7804	2	Pin-King
2	138-7803	16	Screw	5	AU122265A1	2	Pin-King, Upper
3	133-5235	2	Greaser-Nipple	6	138-7805	2	Seal

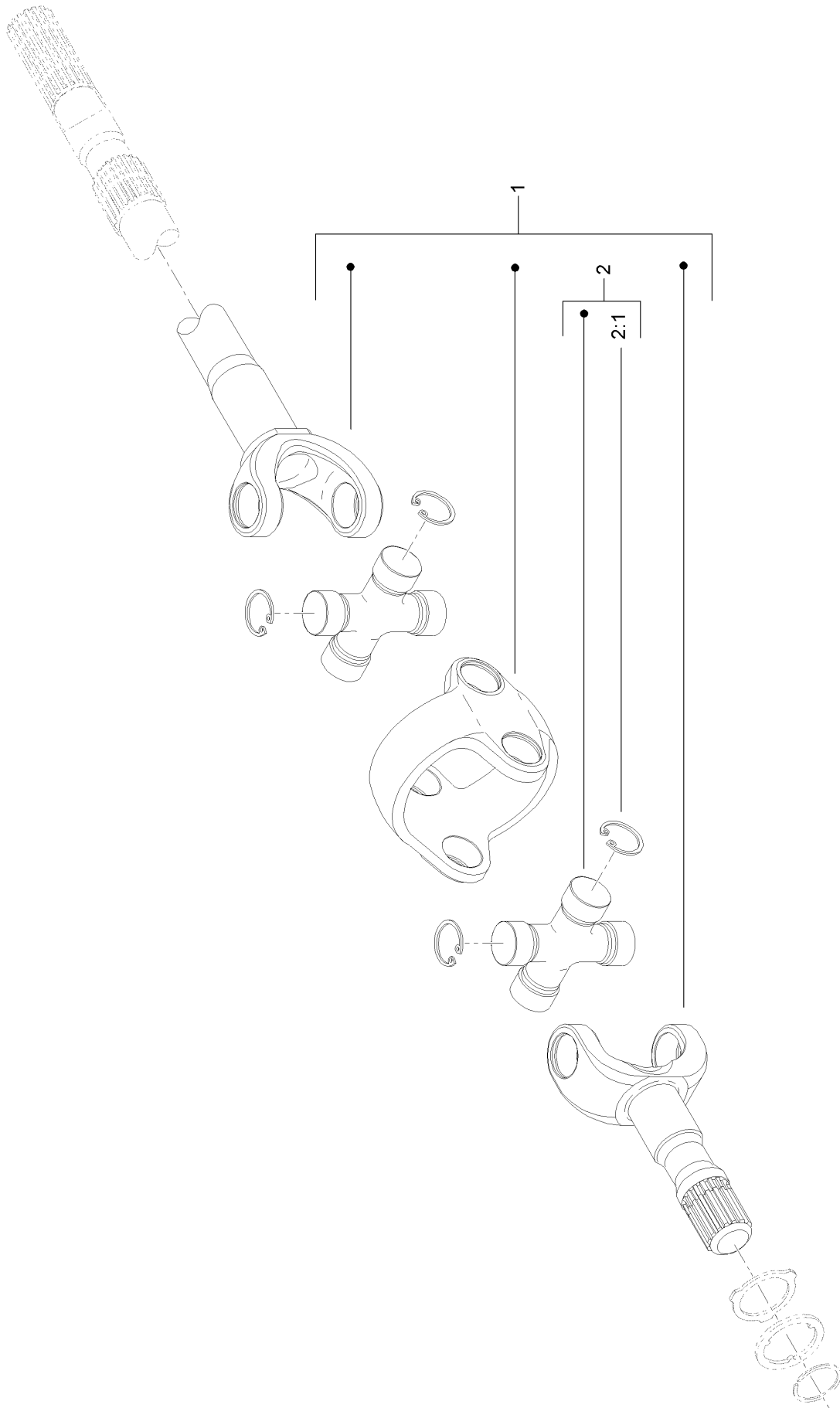
Front Axle Bevel Gear Set Assembly



Front Axle Bevel Gear Set Assembly (continued)

<i>Ref.</i>	<i>Part Number</i>	<i>Qty.</i>	<i>Description</i>
1	138-7806	1	Seal-Ring

Front Axle Double U-Joint Assembly

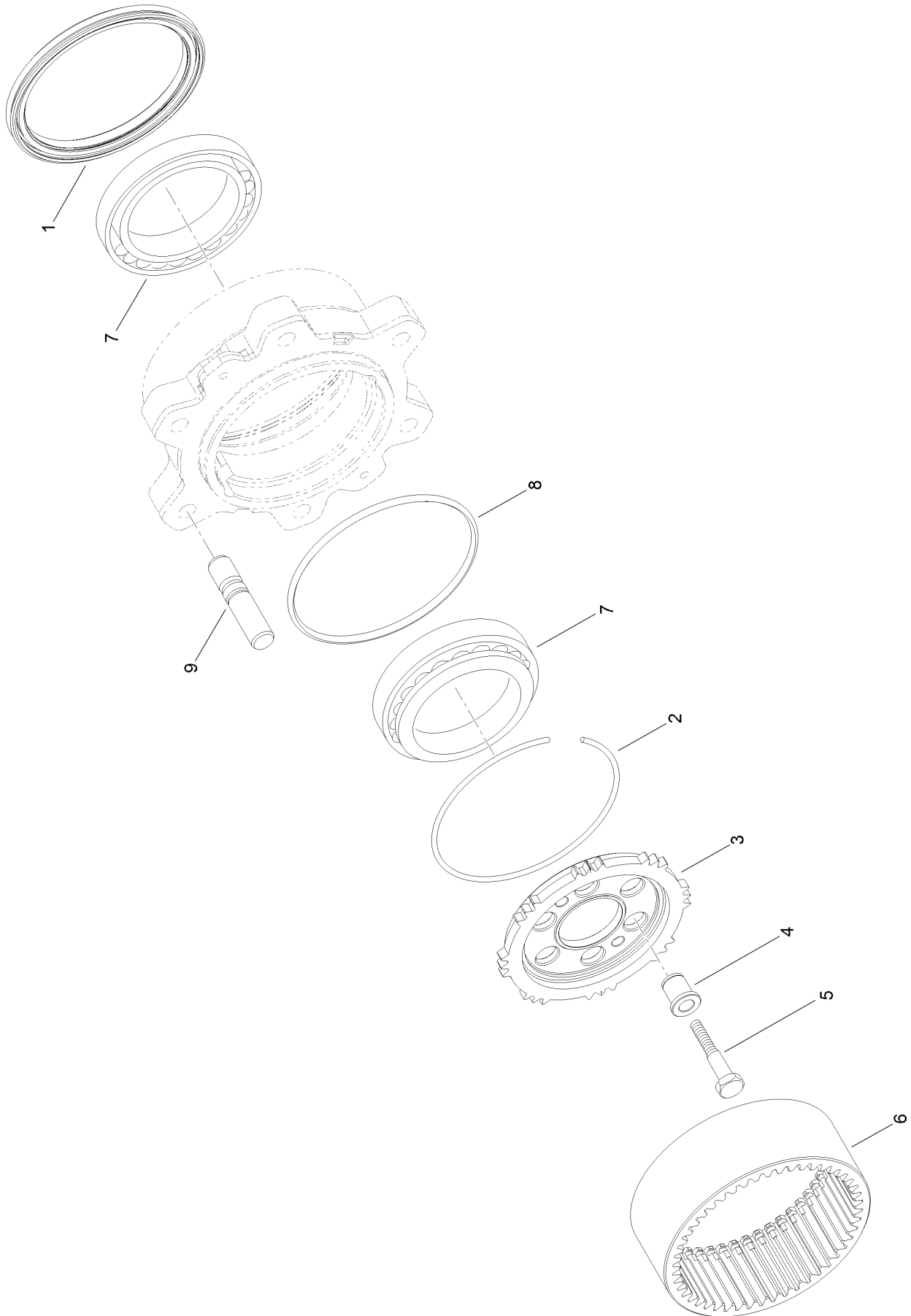


Front Axle

Double U-Joint Assembly (continued)

<i>Ref.</i>	<i>Part Number</i>	<i>Qty.</i>	<i>Description</i>
1	138-7807	2	Double Joint Kit
2	AU100546A1	4	Spider-A
2:1	AU100548A1	4	Ring-Snap

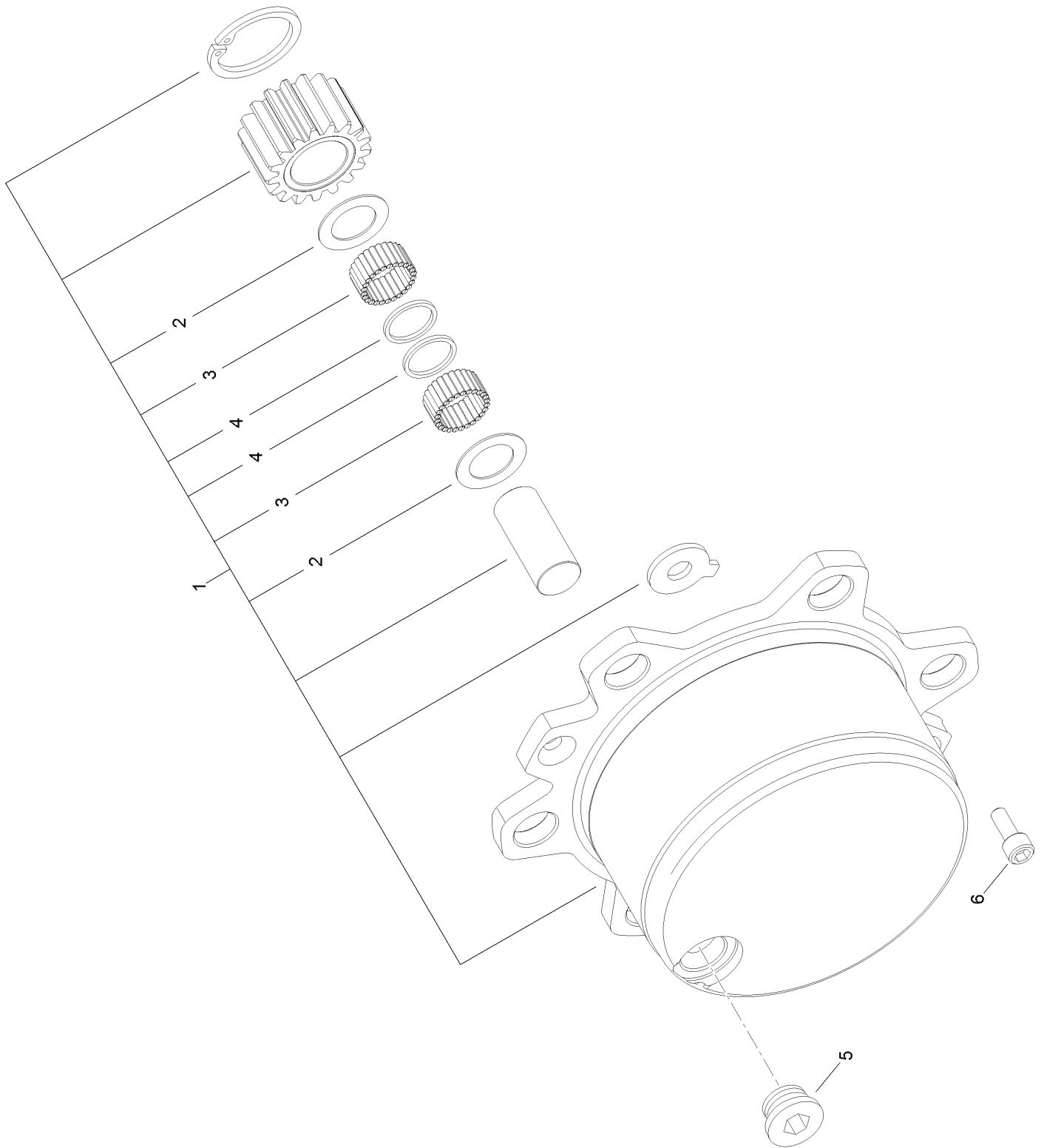
Front Axle Wheel Hub Assembly



Front Axle Wheel Hub Assembly (continued)

<i>Ref.</i>	<i>Part Number</i>	<i>Qty.</i>	<i>Description</i>	<i>Ref.</i>	<i>Part Number</i>	<i>Qty.</i>	<i>Description</i>
1	138-7811	2	Seal-Ring	6	AU112495A1	2	Gear
2	AU112496A1	2	Ring	7	138-7814	4	Bearing
3	138-7812	2	Carrier-Hub, Wheel	8	138-7815	2	O-Ring
4	138-7813	12	Bushing-Centering	9	auk260218	6	Stud
5	AU116425A1	12	Bolt				

Front Axle Planetary Carrier Assembly

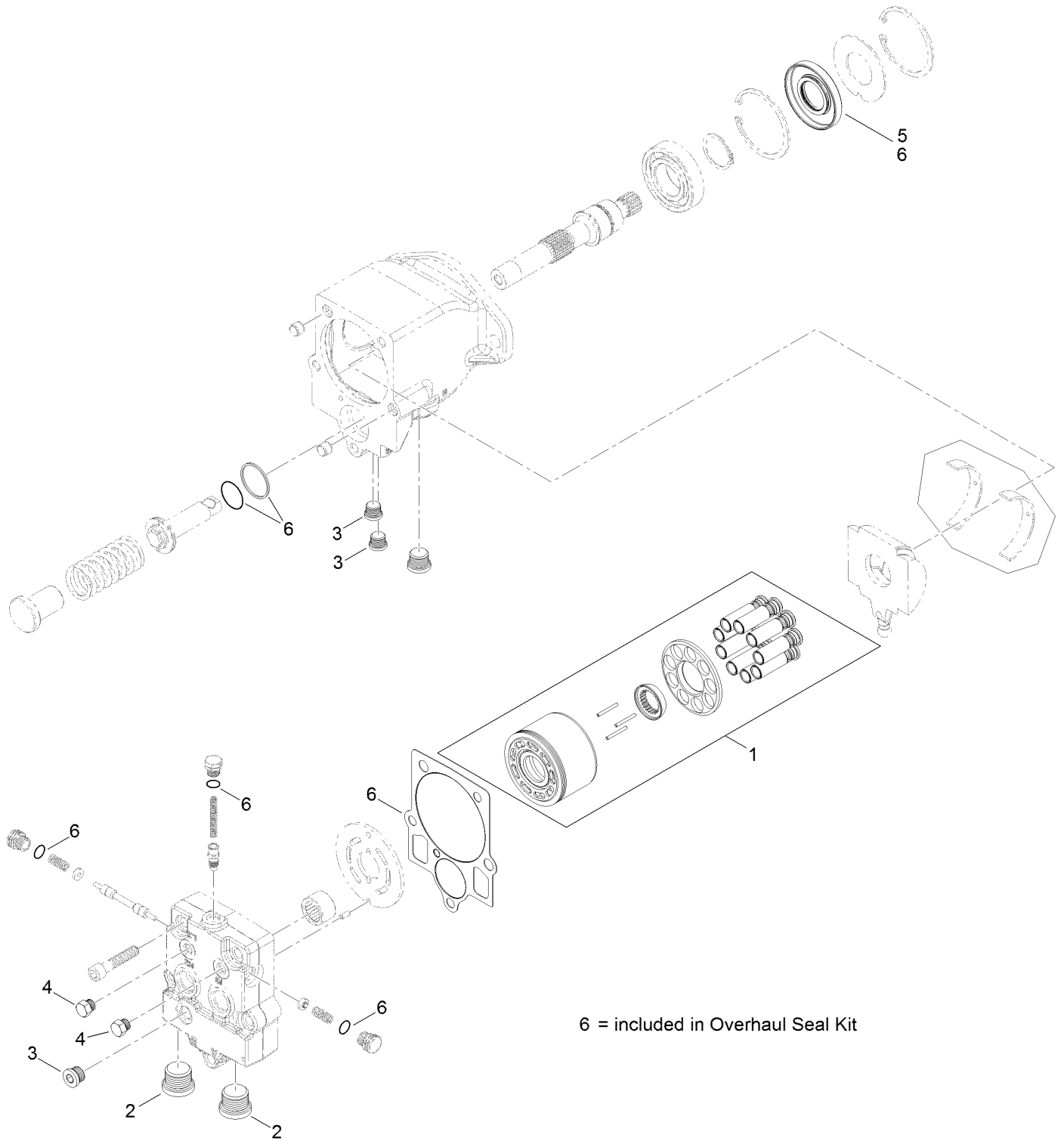


Front Axle

Planetary Carrier Assembly (continued)

<i>Ref.</i>	<i>Part Number</i>	<i>Qty.</i>	<i>Description</i>	<i>Ref.</i>	<i>Part Number</i>	<i>Qty.</i>	<i>Description</i>
1	138-7809	2	Planetary Carrier ASM	4	AU141371A1	6	Washer-Thrust
2	AU112501A1	6	Washer	5	133-5295	2	Plug
3	AU141368A1	32	Bearing-Needle	6	138-7810	4	Screw

Motor Assembly No. 131-5635

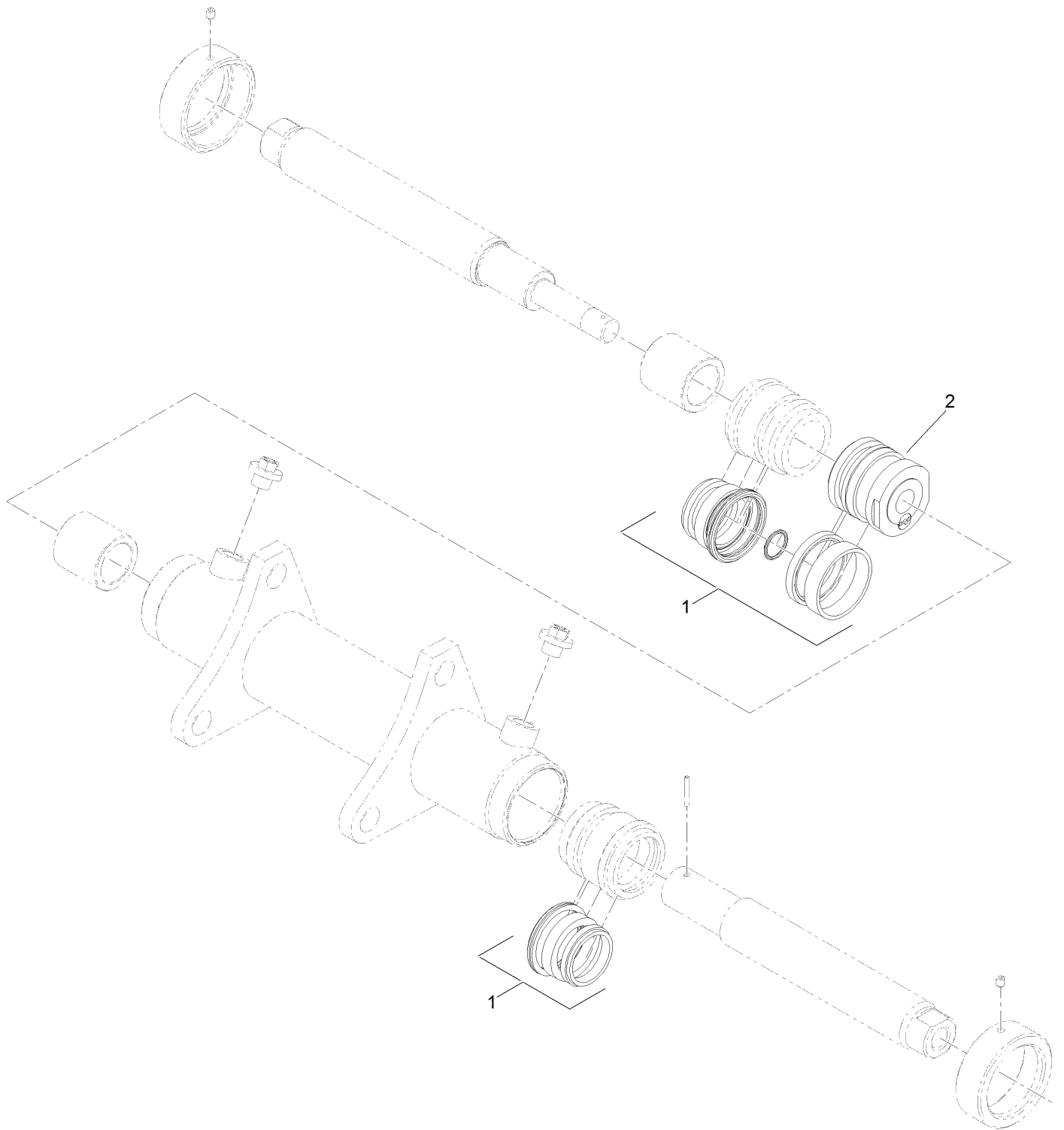


Motor Assembly No. 131-5635 (continued)

<i>Ref.</i>	<i>Part Number</i>	<i>Qty.</i>	<i>Description</i>
1	125-4639	1	Cylinder Block Kit
2	69-3130	2	Plug
3	75-0070	3	Plug

<i>Ref.</i>	<i>Part Number</i>	<i>Qty.</i>	<i>Description</i>
4	92-1352	2	Plug
5	127-6214	1	Seal-Lip
6	138-7823	1	Overhaul Seal Kit

Hydraulic Cylinder Assembly No. 133-4863

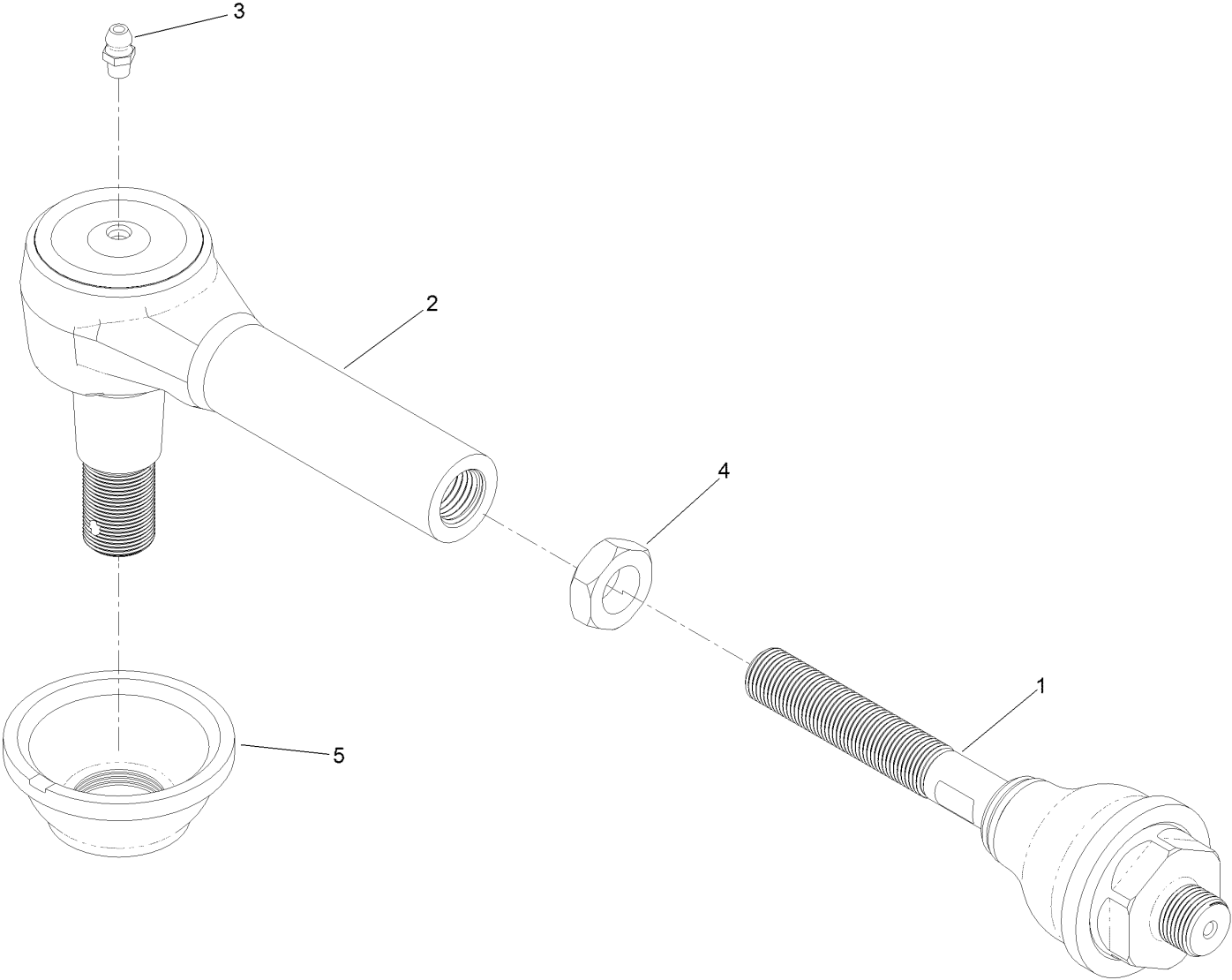


1 = included in Seal Repair Kit

Hydraulic Cylinder Assembly No. 133-4863 (continued)

<i>Ref.</i>	<i>Part Number</i>	<i>Qty.</i>	<i>Description</i>
1	138-7820	1	Seal Repair Kit
2	138-8163	1	Piston

Tie Rod Assembly No. 133-4760

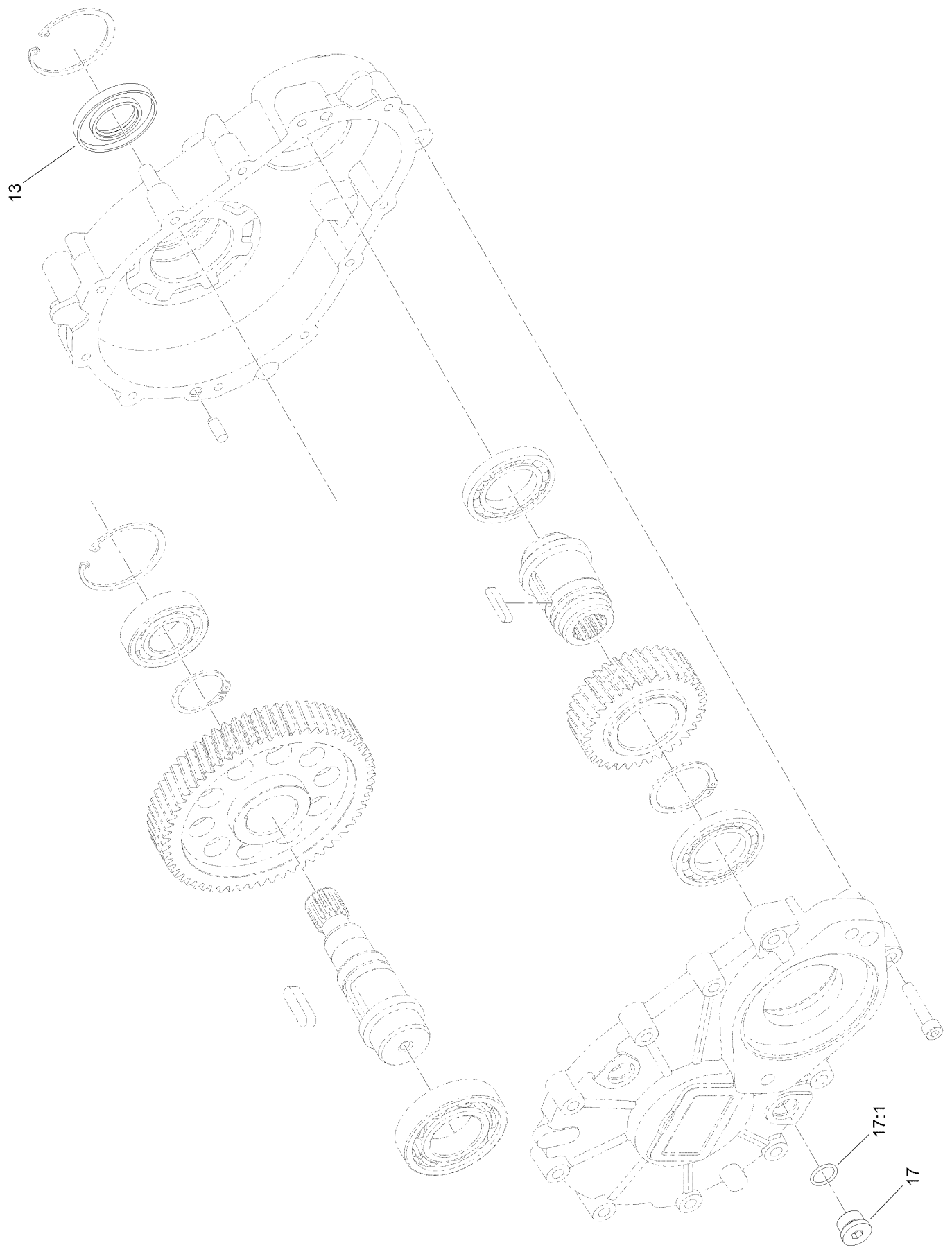


Tie Rod Assembly No. 133-4760 (continued)

<i>Ref.</i>	<i>Part Number</i>	<i>Qty.</i>	<i>Description</i>
1	133-4761	1	Inner Tie Rod ASM
2	133-4762	1	Outer Tie Rod ASM
3	302-5	1	Fitting-Grease

<i>Ref.</i>	<i>Part Number</i>	<i>Qty.</i>	<i>Description</i>
4	95-4182	1	Nut-Hex, Jam
5	136-5290	1	Boot-Dust

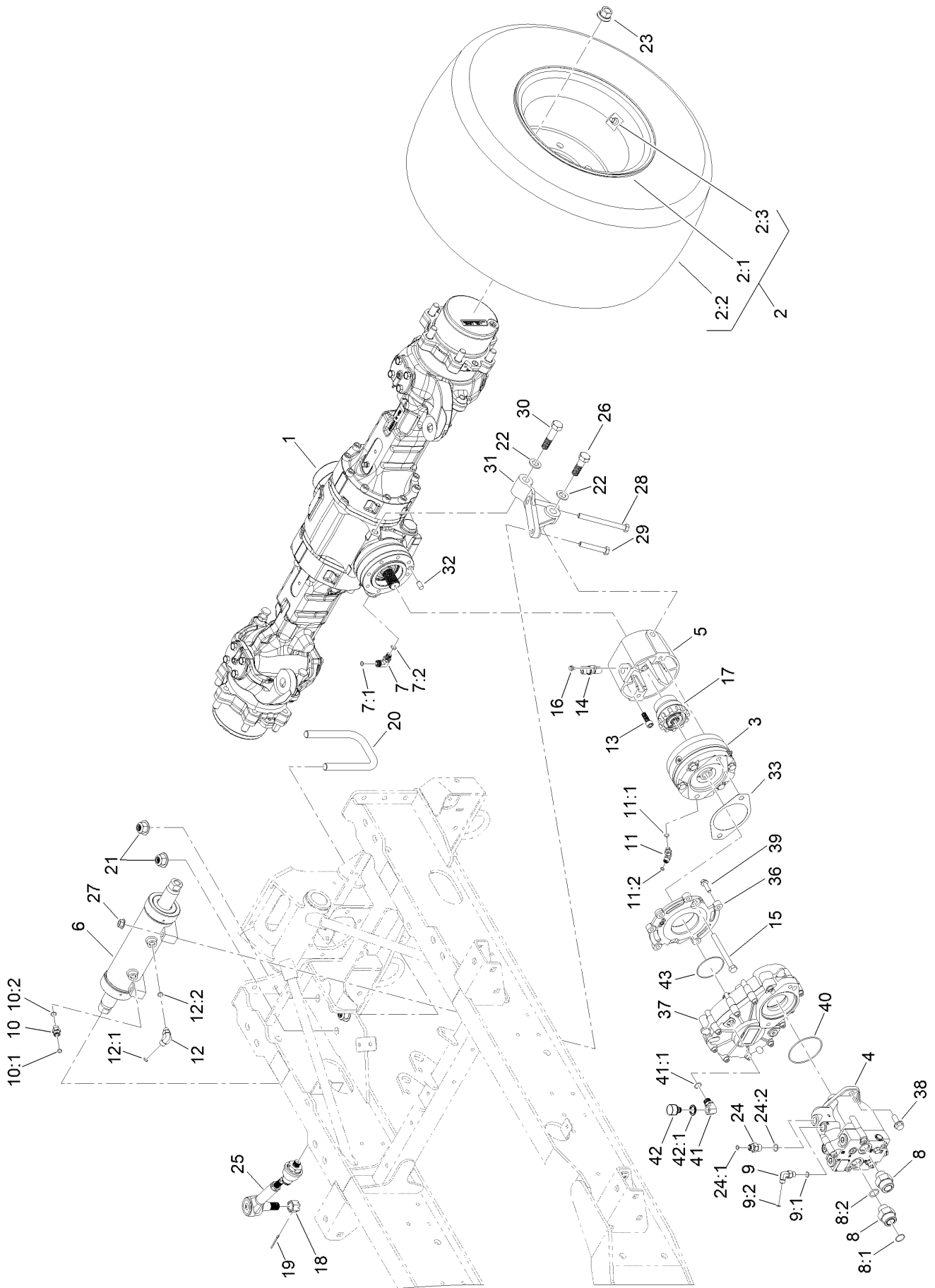
Gearbox Assembly No. 144-9715



Gearbox Assembly No. 144-9715 (continued)

<i>Ref.</i>	<i>Part Number</i>	<i>Qty.</i>	<i>Description</i>
13	133-4775	1	Seal-Oil
17	133-7659	3	Plug ASM
17:1	237-79	1	O-Ring

Rear Axle Assembly

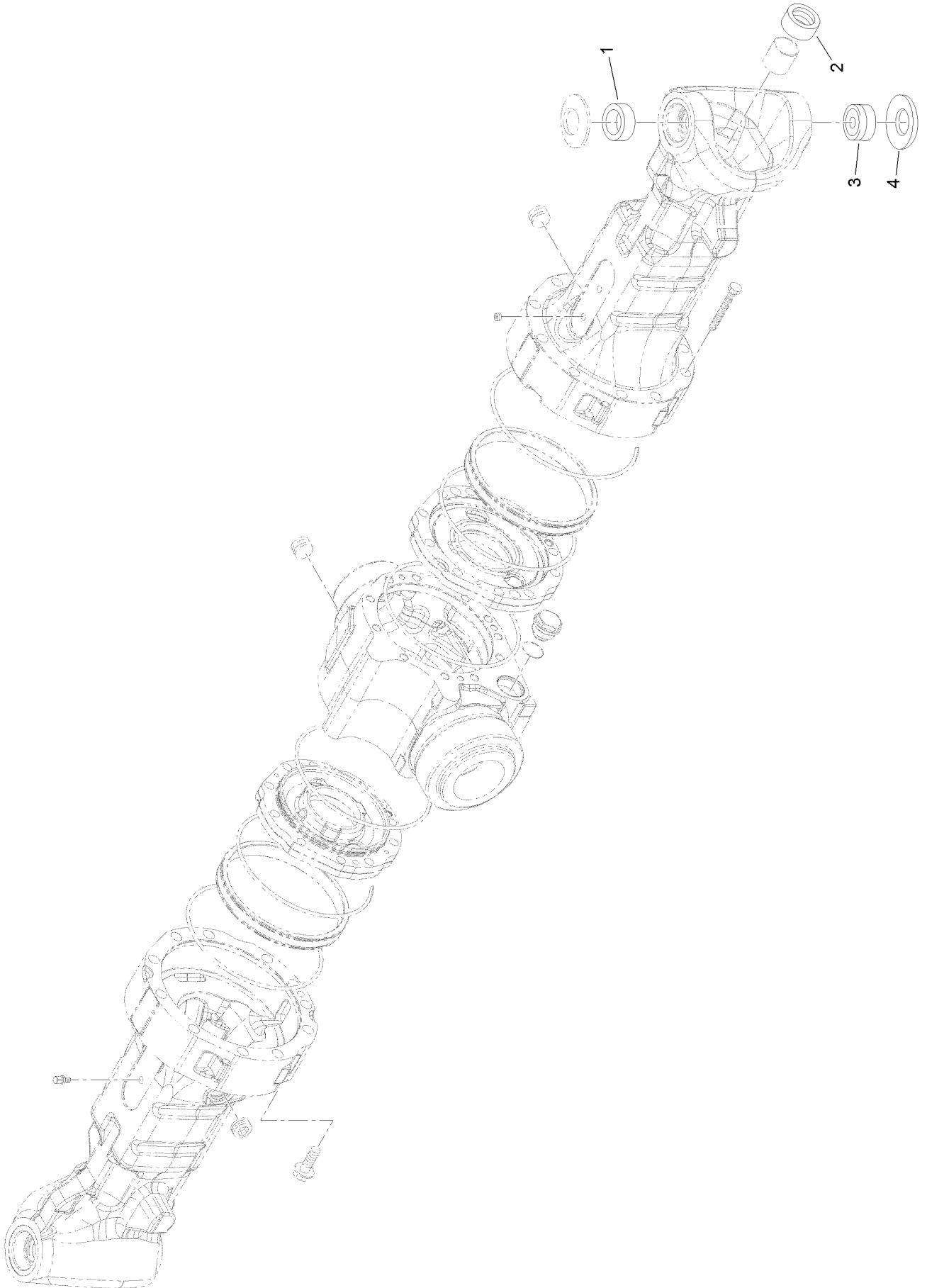


Rear Axle Assembly (continued)

<i>Ref.</i>	<i>Part Number</i>	<i>Qty.</i>	<i>Description</i>	<i>Ref.</i>	<i>Part Number</i>	<i>Qty.</i>	<i>Description</i>
1	133-4860	1	Rear Steerable Axle ASM	16	33103-012	1	Screw-HHF
2		2	Tire And Wheel ASM ●	17	138-4054	1	Axle Coupler ASM
2:1	138-4089	1	Wheel-Turf	18	133-7763	2	Nut-Slotted
2:2	133-4894	1	Tire-Turf	19	3272-13	2	Pin-Cotter
2:3	232-24	1	Stem-Valve	20	136-5251	4	Bolt-U
3	133-4850	1	Parking Brake ASM	21	138-4082	8	Nut-HF
4	131-5635	1	Hydraulic Motor ASM	22	136-5267	4	Washer-Plain
5	133-7681	1	Mount-Motor, Rear	23	133-7706	12	Nut-Wheel
6	133-4864	1	Cylinder-HYD, Rear	24	340-3	1	Fitting-Straight
7	133-7658	1	Fitting-Elbow, 90 DEG	24:1	237-22	1	O-Ring
7:1	237-22	1	O-Ring	24:2	237-79	1	O-Ring
7:2	133-7657	1	O-Ring, M14	25	133-4760	2	Tie Rod ASM
8	87-7290	2	Fitting-STR	26	136-5259	2	Screw-HH
8:1	340-65	1	O-Ring	27	32128-23	4	Nut-HF
8:2	237-81	1	O-Ring	28	325-22	2	Screw-HH
9	340-82	1	Fitting-Elbow, 90 DEG	29	325-12	2	Screw-HH
9:1	237-42	1	O-Ring	30	136-5268	2	Screw-HH
9:2	237-21	1	O-Ring	31	136-9749	2	Support-Cylinder, Rear
10	340-2	1	Fitting-Straight	32	136-5277	1	Pin-Dowel
10:1	237-22	1	O-Ring	33	136-5295	1	Gasket
10:2	237-42	1	O-Ring	36	144-9714	1	Adapter-Gearbox
11	340-132	1	Fitting-Elbow, 90 DEG	37	144-9715	1	Gearbox ASM
11:1	237-78	1	O-Ring	38	3234-38	2	Screw-HHF
11:2	237-21	1	O-Ring	39	119-4061	4	Screw-HHF
12	340-77	1	Fitting-Elbow, 90 DEG	40	107-9447	1	O-Ring
12:1	237-22	1	O-Ring	41	354-118	1	Fitting-HYD, 90 DEG
12:2	237-42	1	O-Ring	41:1	237-79	1	O-Ring
13	136-5255	4	Screw-HSH	42	133-2359	1	Breather-Vent, Nylon
14	136-5271	1	Sensor-Geartooth	42:1	133-5659	1	Washer-Rubber
15	325-19	2	Screw-HH	43	112-6967	1	O-Ring

● Not serviced separately

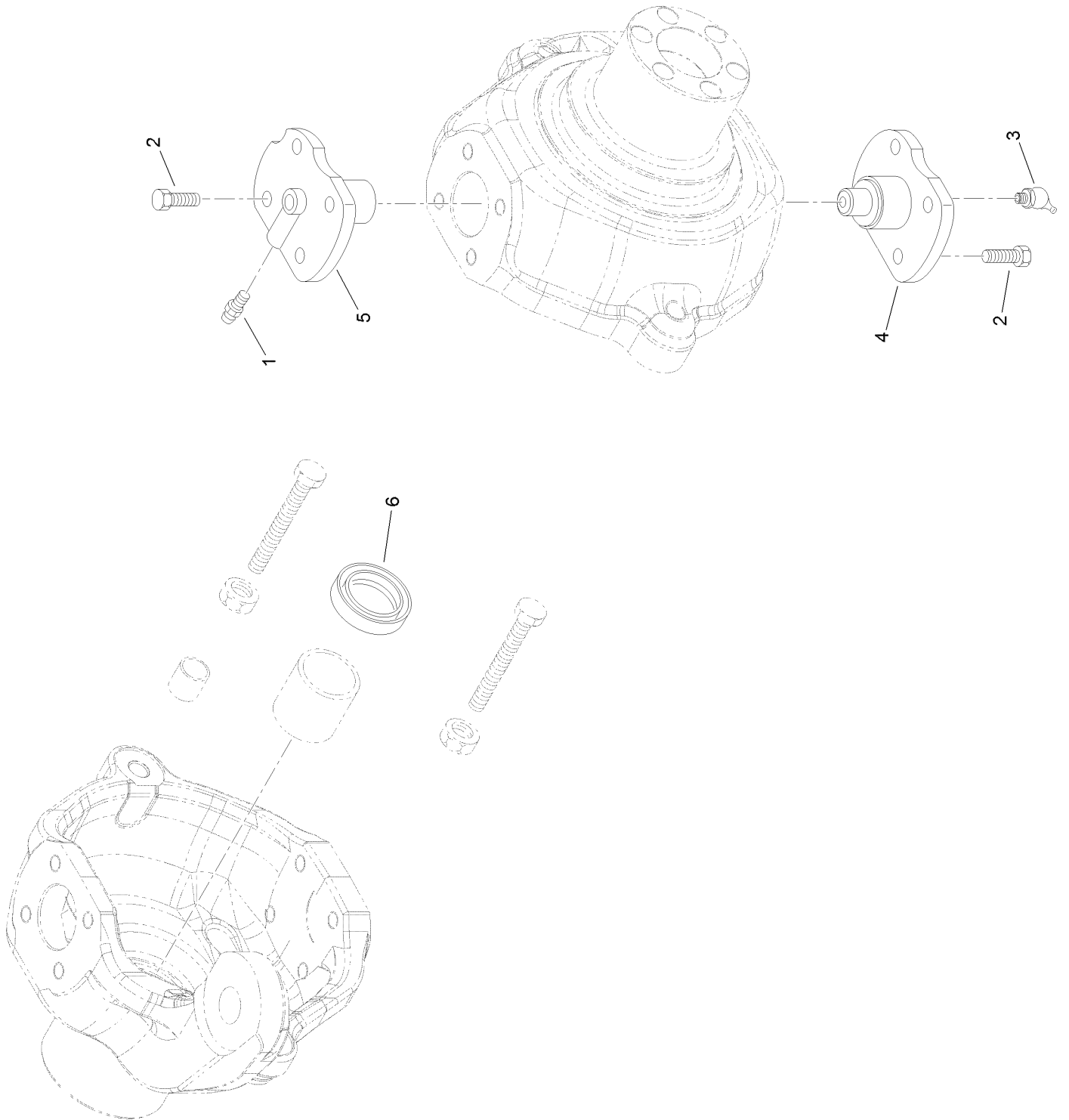
Rear Axle Axle Housing Assembly



Rear Axle Axle Housing Assembly (continued)

<i>Ref.</i>	<i>Part Number</i>	<i>Qty.</i>	<i>Description</i>	<i>Ref.</i>	<i>Part Number</i>	<i>Qty.</i>	<i>Description</i>
1	138-7817	2	Bushing	3	138-7816	2	Joint-Spherical
2	133-5253	2	Ring-Seal, Oil	4	AU122268A1	2	Washer

Rear Axle Swivel Housings and Trunnions Assembly

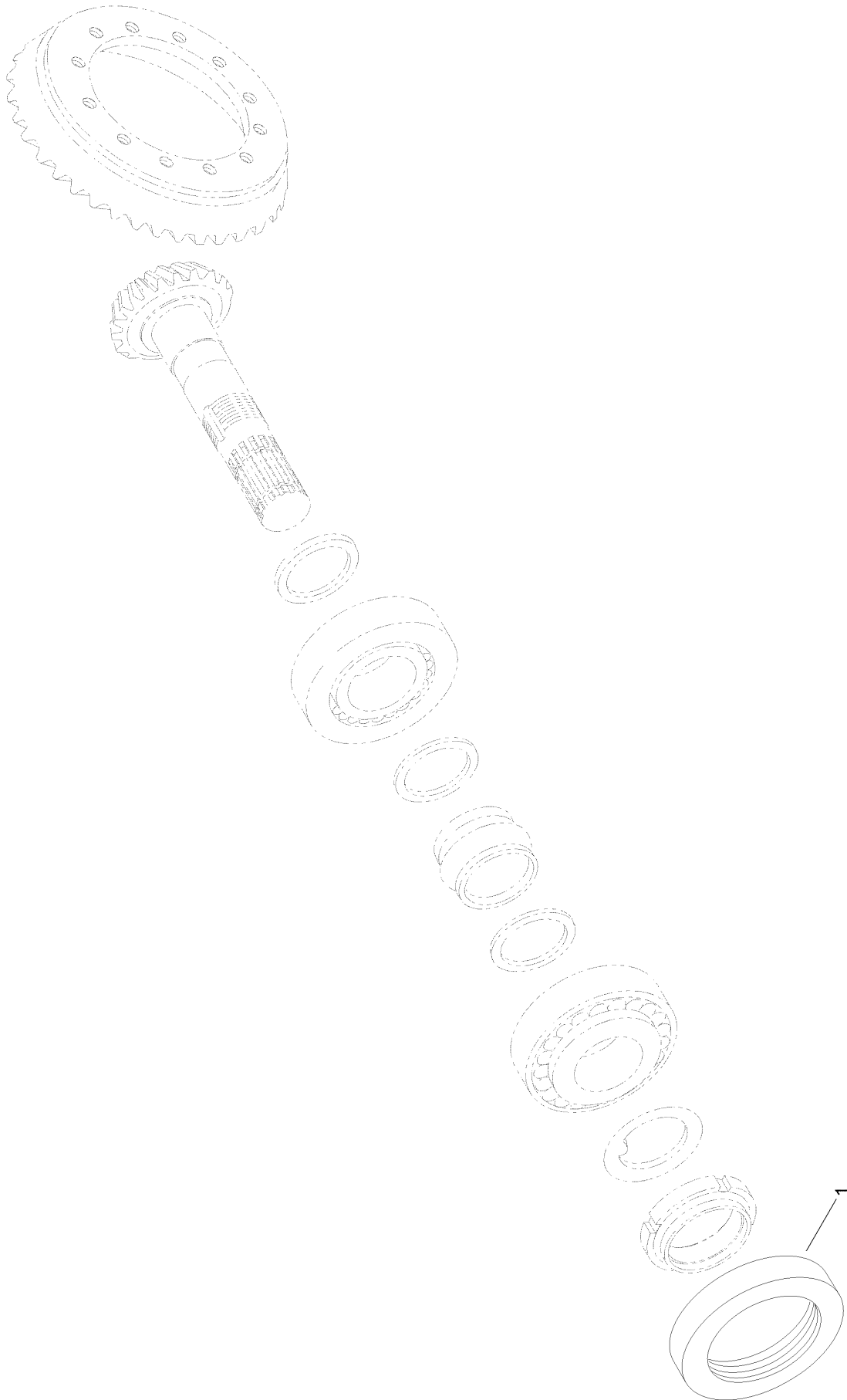


Rear Axle

Swivel Housings and Trunnions Assembly (continued)

<i>Ref.</i>	<i>Part Number</i>	<i>Qty.</i>	<i>Description</i>	<i>Ref.</i>	<i>Part Number</i>	<i>Qty.</i>	<i>Description</i>
1	133-5215	4	Greaser-Nipple	4	138-7804	2	Pin-King
2	138-7803	16	Screw	5	AU122265A1	2	Pin-King, Upper
3	133-5235	2	Greaser-Nipple	6	138-7805	2	Seal

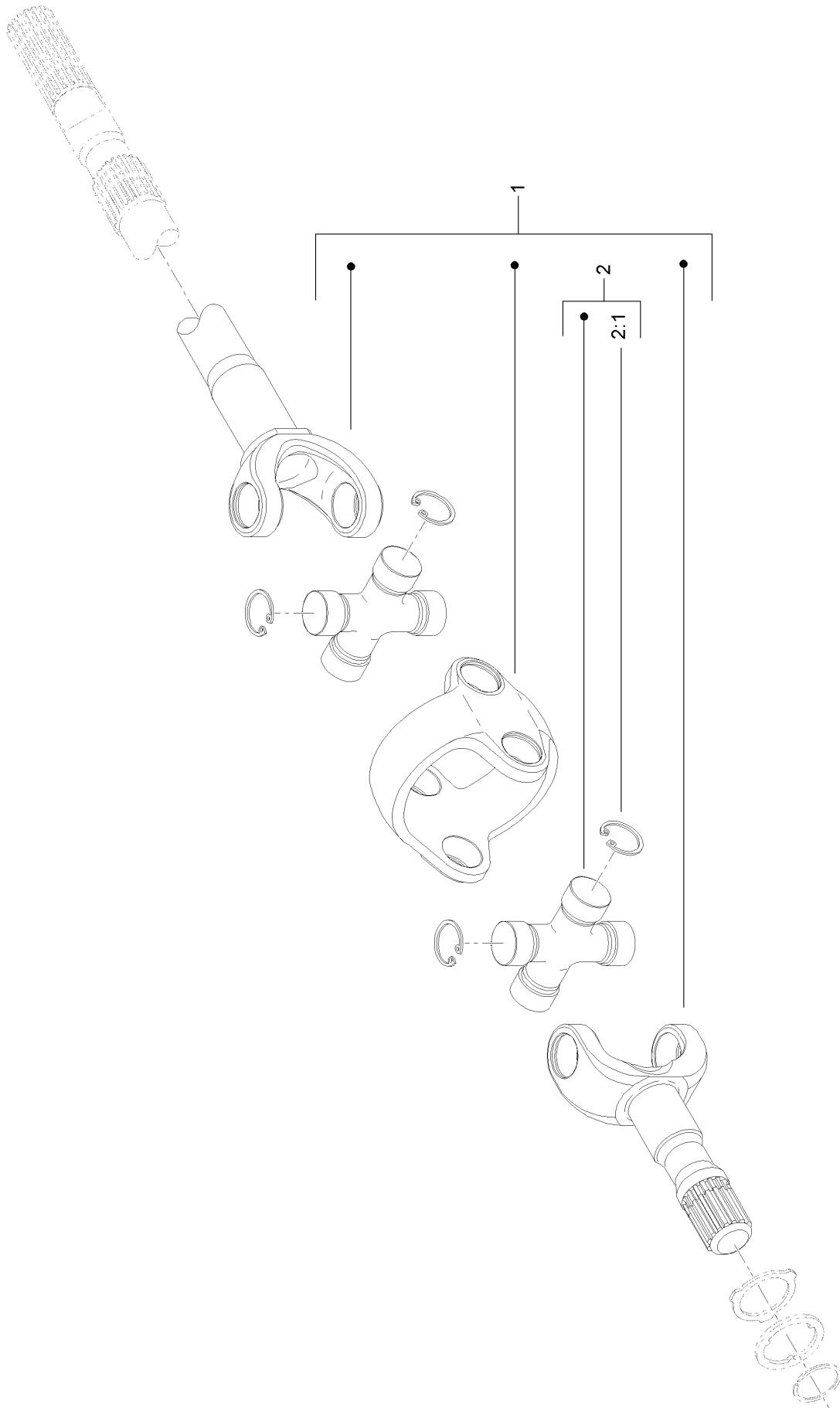
Rear Axle Bevel Gear Set Assembly



Rear Axle Bevel Gear Set Assembly (continued)

<i>Ref.</i>	<i>Part Number</i>	<i>Qty.</i>	<i>Description</i>
1	138-7806	1	Seal-Ring

Rear Axle Double U-Joint Assembly

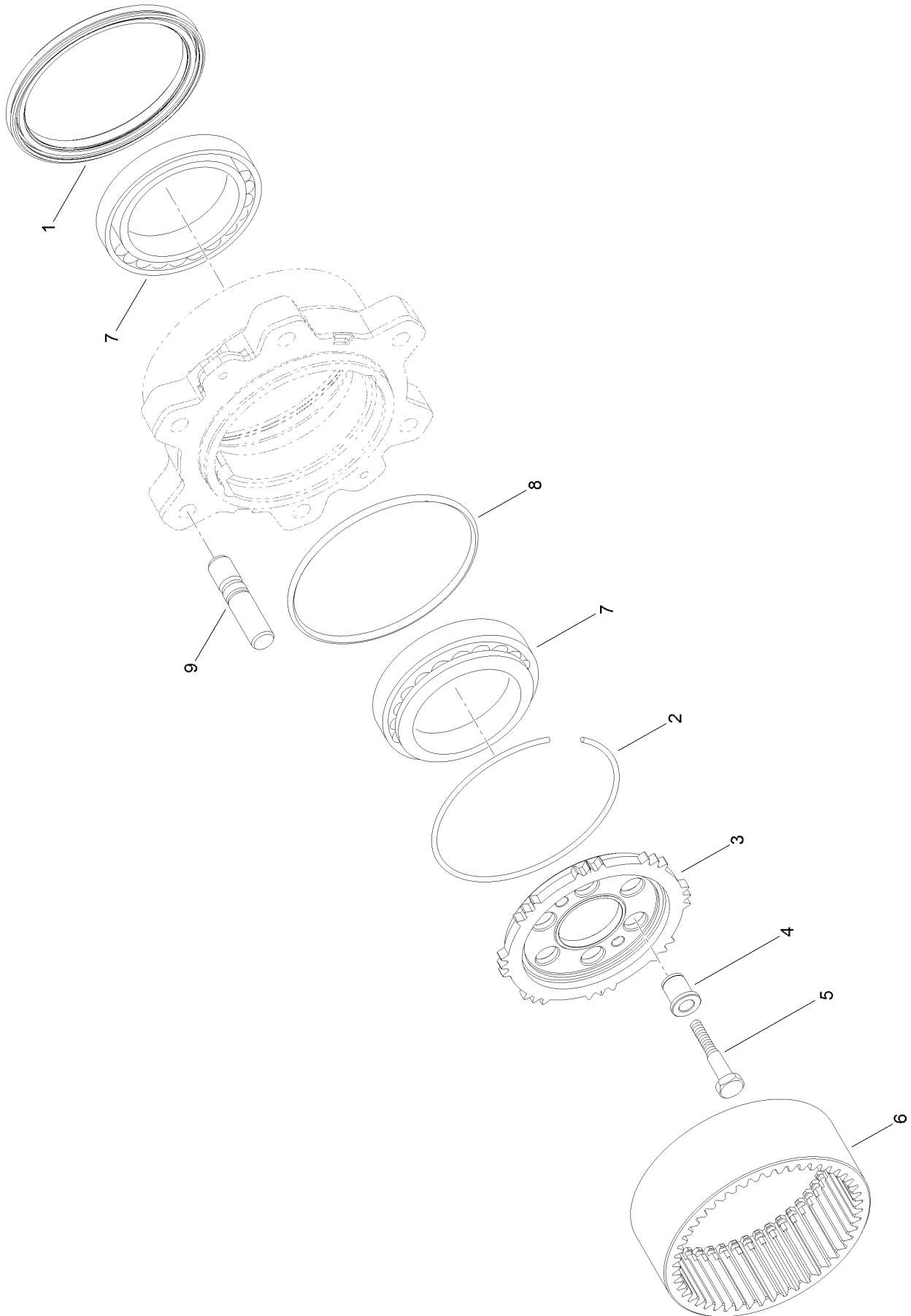


Rear Axle

Double U-Joint Assembly (continued)

<i>Ref.</i>	<i>Part Number</i>	<i>Qty.</i>	<i>Description</i>
1	138-7807	2	Double Joint Kit
2	AU100546A1	4	Spider-A
2:1	AU100548A1	4	Ring-Snap

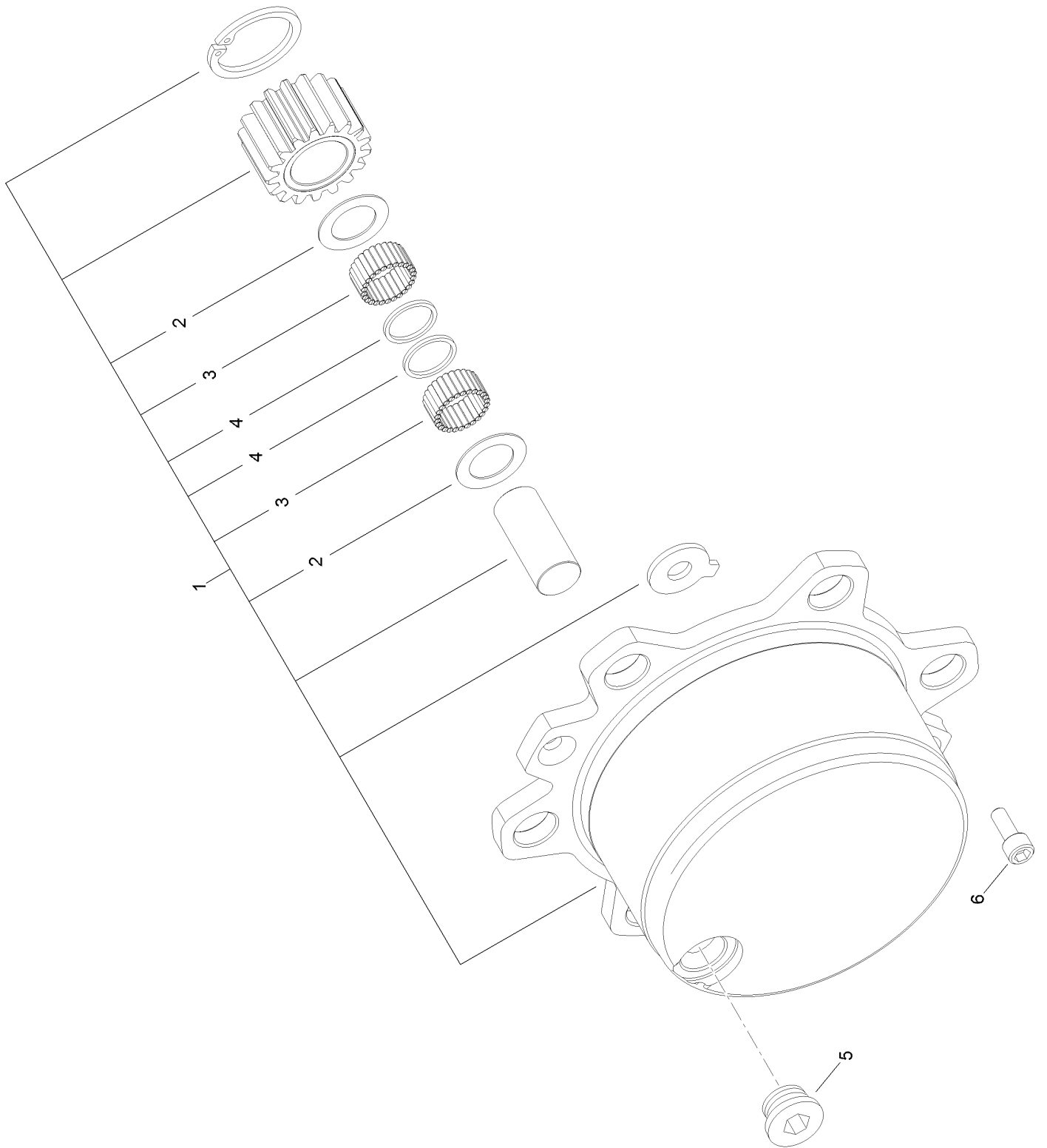
Rear Axle Wheel Hub Assembly



Rear Axle Wheel Hub Assembly (continued)

<i>Ref.</i>	<i>Part Number</i>	<i>Qty.</i>	<i>Description</i>	<i>Ref.</i>	<i>Part Number</i>	<i>Qty.</i>	<i>Description</i>
1	138-7811	2	Seal-Ring	6	AU112495A1	2	Gear
2	AU112496A1	2	Ring	7	138-7814	4	Bearing
3	138-7812	2	Carrier-Hub, Wheel	8	138-7815	2	O-Ring
4	138-7813	12	Bushing-Centering	9	auk260218	6	Stud
5	AU116425A1	12	Bolt				

Rear Axle Planetary Carrier Assembly

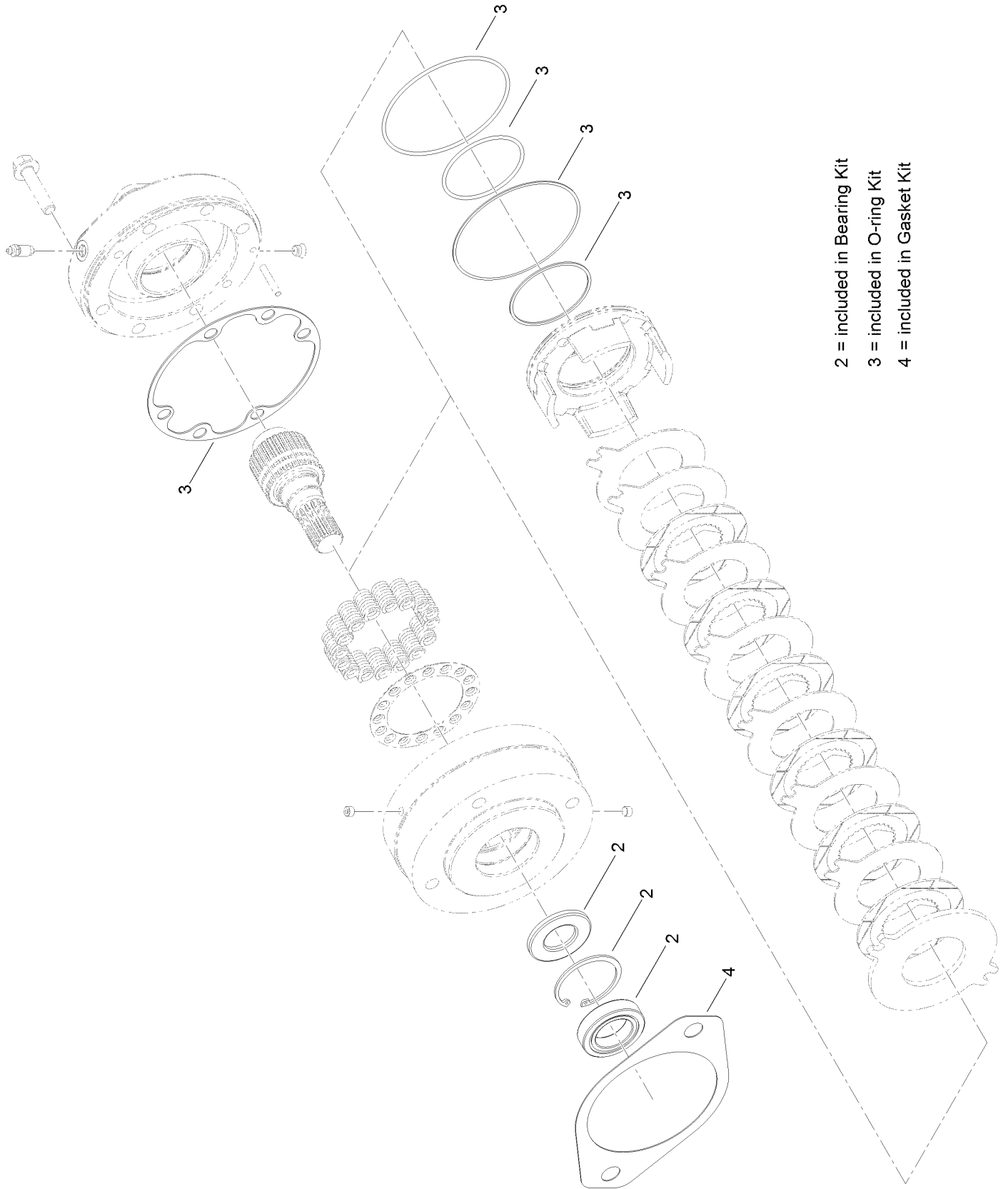


Rear Axle

Planetary Carrier Assembly (continued)

<i>Ref.</i>	<i>Part Number</i>	<i>Qty.</i>	<i>Description</i>	<i>Ref.</i>	<i>Part Number</i>	<i>Qty.</i>	<i>Description</i>
1	138-7809	2	Planetary Carrier ASM	4	AU141371A1	6	Washer-Thrust
2	AU112501A1	6	Washer	5	133-5295	2	Plug
3	AU141368A1	32	Bearing-Needle	6	138-7810	4	Screw

Parking Brake Assembly No. 133-4850



2 = included in Bearing Kit

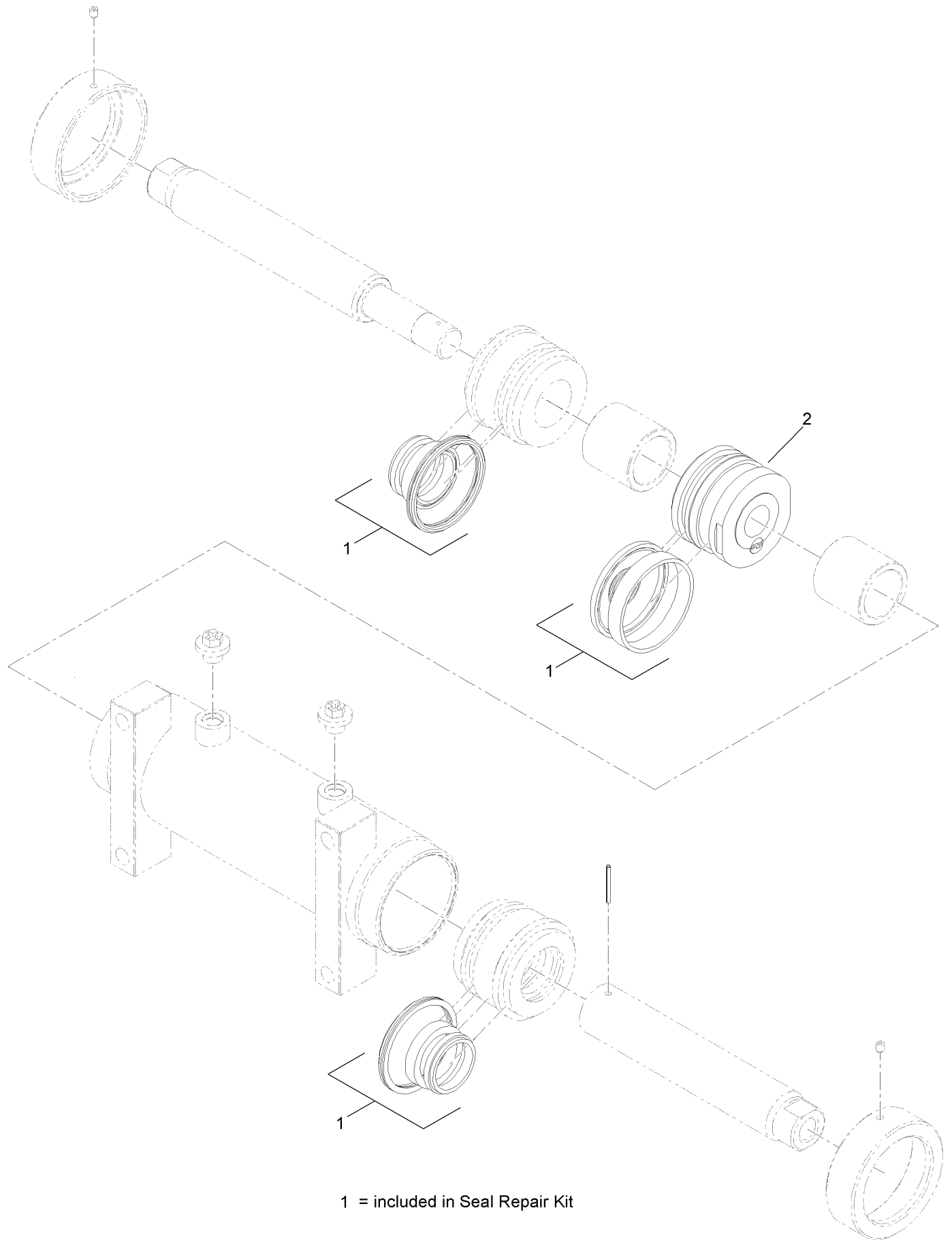
3 = included in O-ring Kit

4 = included in Gasket Kit

Parking Brake Assembly No. 133-4850 (continued)

<i>Ref.</i>	<i>Part Number</i>	<i>Qty.</i>	<i>Description</i>
2	138-7800	1	Bearing Kit
3	138-7801	1	O-Ring Kit
4	138-7802	1	Gasket Kit

Hydraulic Cylinder Assembly No. 133-4864

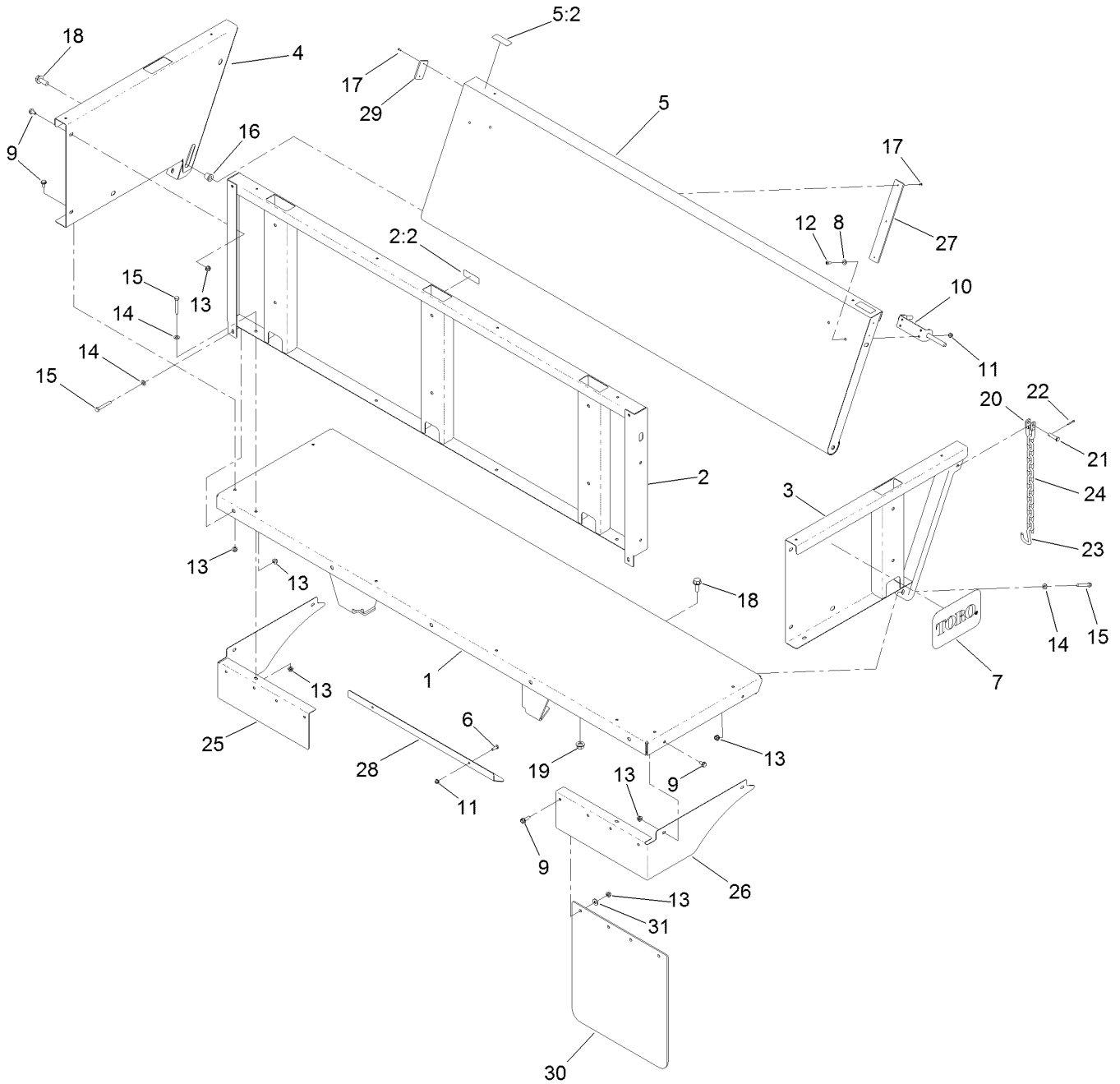


1 = included in Seal Repair Kit

Hydraulic Cylinder Assembly No. 133-4864 (continued)

<i>Ref.</i>	<i>Part Number</i>	<i>Qty.</i>	<i>Description</i>
1	138-7819	1	Seal Repair Kit
2	138-8164	1	Piston (3In Ball Valve ASM)

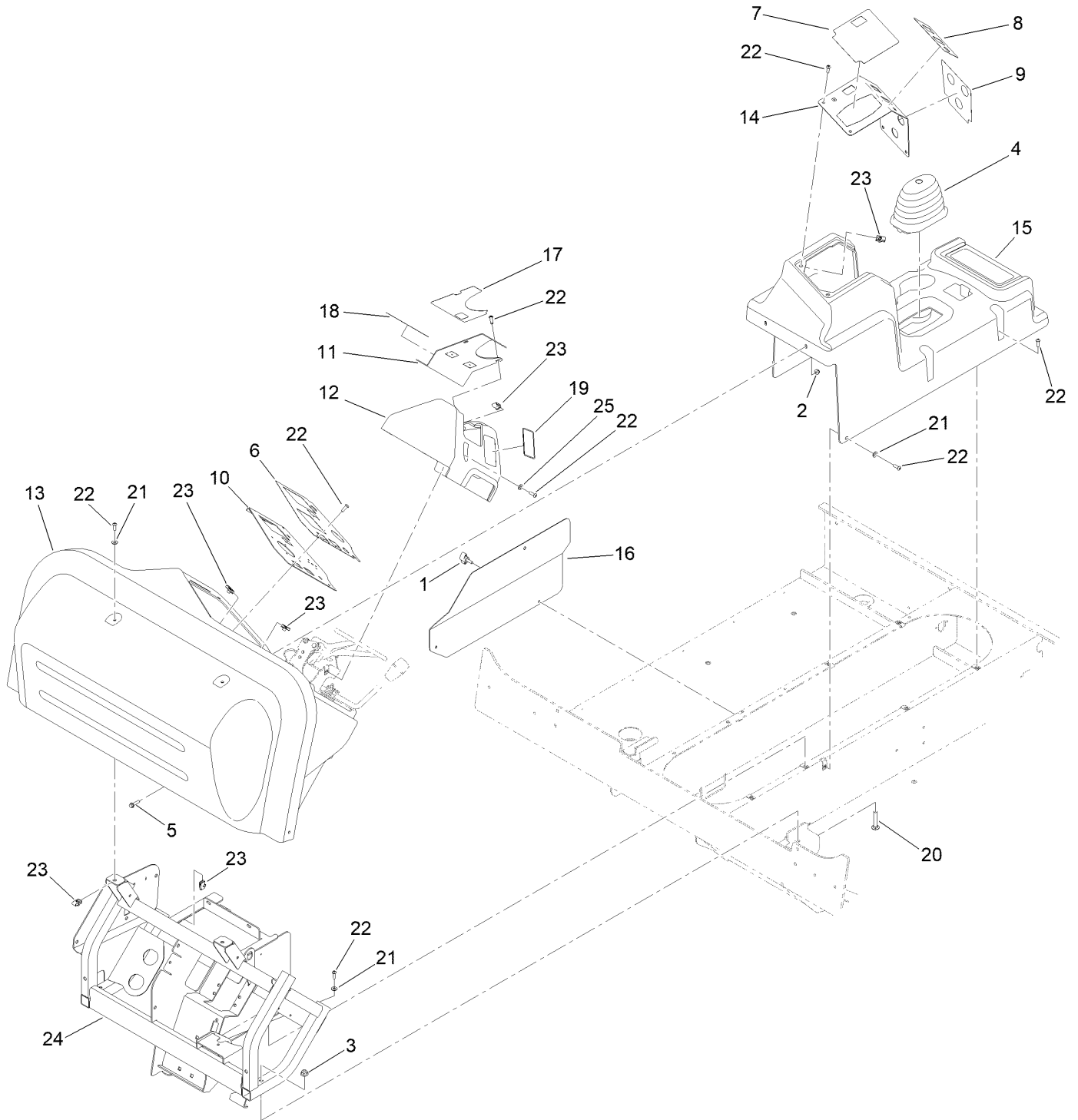
Standard Box Assembly



Standard Box Assembly (continued)

<i>Ref.</i>	<i>Part Number</i>	<i>Qty.</i>	<i>Description</i>	<i>Ref.</i>	<i>Part Number</i>	<i>Qty.</i>	<i>Description</i>
1	136-9832-03	1	Bed ASM	16	256-243	2	Bearing-Flange
2	138-3851	1	Panel ASM	17	3290-271	10	Rivet-Pop
2:2	115-7739	1	Decal-No Riders	18	3234-38	6	Screw-HHF
3	136-9830-03	1	Panel-LH	19	99-5107	4	Nut-Lock
4	136-9831-03	1	Panel-RH	20	5-2942	2	Shackle
5	138-4080	1	Tailgate ASM	21	283-10	2	Pin-Clevis
5:2	138-4107	2	Decal-Hazard, Pinch	22	3272-10	2	Pin-Cotter
6	321-4	2	Screw-HH	23	136-9808	2	Hook-Tailgate
7	92-1242	2	Decal	24	136-9809	2	Chain
8	3256-1	4	Washer-Flat	25	136-9806-03	1	Filler-RH
9	3234-47	20	Screw-HHF	26	136-9807-03	1	Filler-LH
10	T62021030	2	Latch-Spring	27	136-9953	2	Pad-Wear
11	104-7201	6	Nut-HF, NI	28	136-9954-03	1	Shield-Box
12	3274-31	4	Screw-HSBH	29	136-9956	2	Pad-Wear
13	104-8300	28	Nut-HF, NI	30	136-9999	2	Mudflap-Box
14	3256-23	8	Washer-Plain	31	3256-3	8	Washer-Flat
15	322-11	8	Screw-HH				

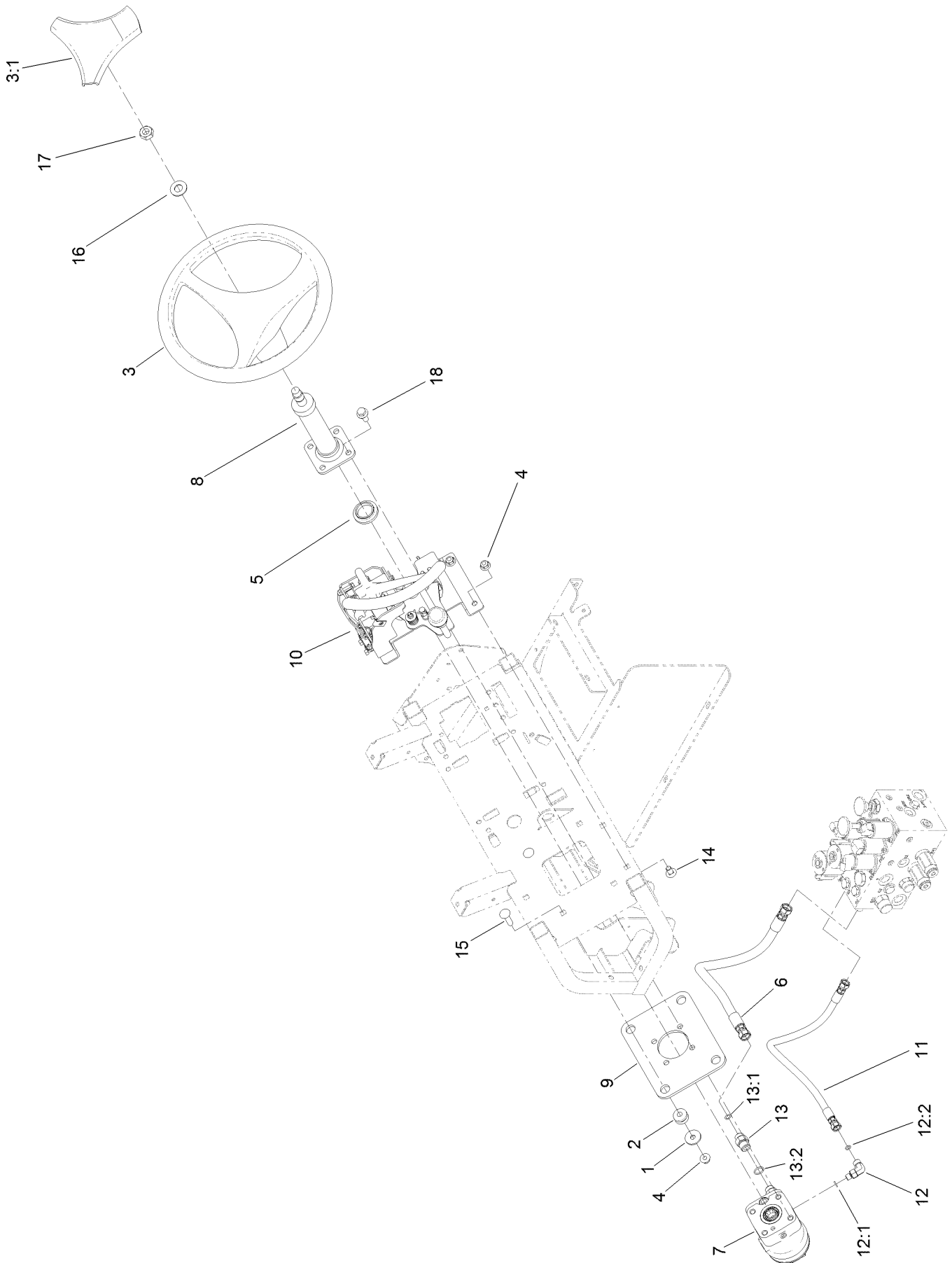
Panel Assembly



Panel Assembly (continued)

<i>Ref.</i>	<i>Part Number</i>	<i>Qty.</i>	<i>Description</i>	<i>Ref.</i>	<i>Part Number</i>	<i>Qty.</i>	<i>Description</i>
1	98-8332	3	Knob	14	136-9635-03	1	Plate-Console
2	104-7201	2	Nut-HF, NI	15	136-9636	1	Console
3	104-8301	2	Nut-HF, NI	16	136-9776-03	1	Panel-Service
4	117-8063	1	Boot-Shift	17	147-1713	1	Decal-Console
5	120-4654	2	Screw-HHF	18	147-1712	1	Decal-Console
6	136-5023	1	Decal-Panel, Control	19	138-2017	1	Decal-Shifter
7	136-5024	1	Decal-Console, Upper	20	3231-6	2	Screw-CARR
8	136-5025	1	Decal-Console, Mid	21	3256-1	5	Washer-Flat
9	136-5026	1	Decal-Console, Lower	22	3274-69	21	Screw-HSBH
10	136-9619-03	1	Panel-Control	23	107069	14	Clip
11	147-1711-03	1	Panel-Steer	24	138-8260-0P	1	Dash
12	136-9628	1	Cover-Steer	25	3256-1	1	Washer-Flat
13	136-9634	1	Dash-Molded				

Steering Assembly

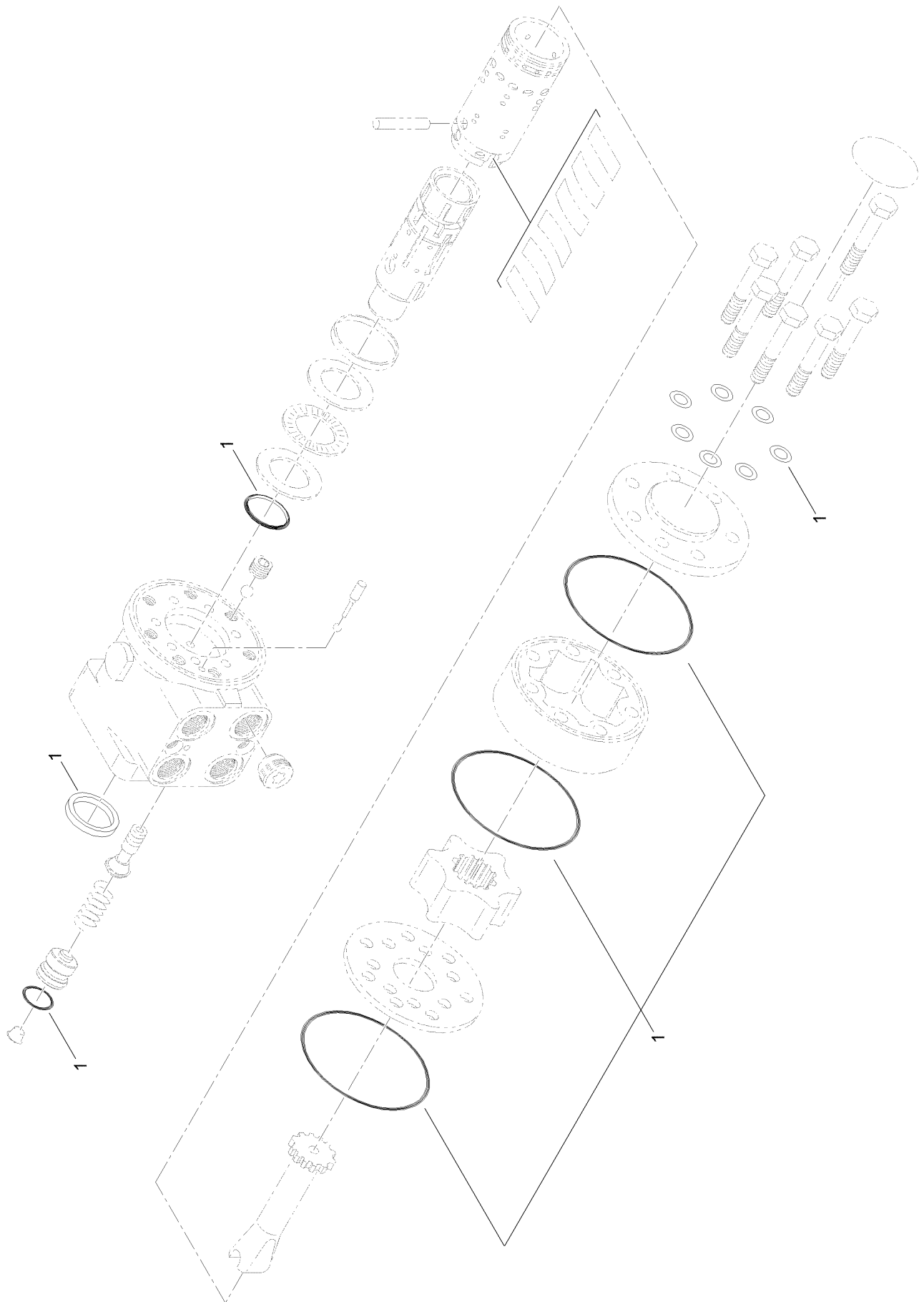


Steering Assembly (continued)

<i>Ref.</i>	<i>Part Number</i>	<i>Qty.</i>	<i>Description</i>	<i>Ref.</i>	<i>Part Number</i>	<i>Qty.</i>	<i>Description</i>
1	63-8410	4	Washer	12	340-132	1	Fitting-Elbow, 90 DEG
2	63-9750	4	Mount	12:1	237-78	1	O-Ring
3	98-1471	1	Wheel-Steering	12:2	237-21	1	O-Ring
3:1	98-1468	1	Cover-Wheel, Steering	13	340-3	4	Fitting-Straight
4	104-8301	7	Nut-HF, NI	13:1	237-22	1	O-Ring
5	140-0553	1	Bushing-Alignment	13:2	237-79	1	O-Ring
6	119-1433	1	Hose ASM	14	3231-21	3	Screw-CARR
7	131-5626	1	Valve-Steering	15	3231-26	4	Screw-CARR
8	132-6319	1	Column-Steer	16	3256-27	1	Washer-Flat
9	133-7895-0P	1	Plate-Steering	17	3296-33	1	Nut-Lock, NI
10		1	Paddle Shift ASM ●	18	33105-025	4	Screw-HHF
11	136-9713	1	Hose ASM				

● Not serviced separately

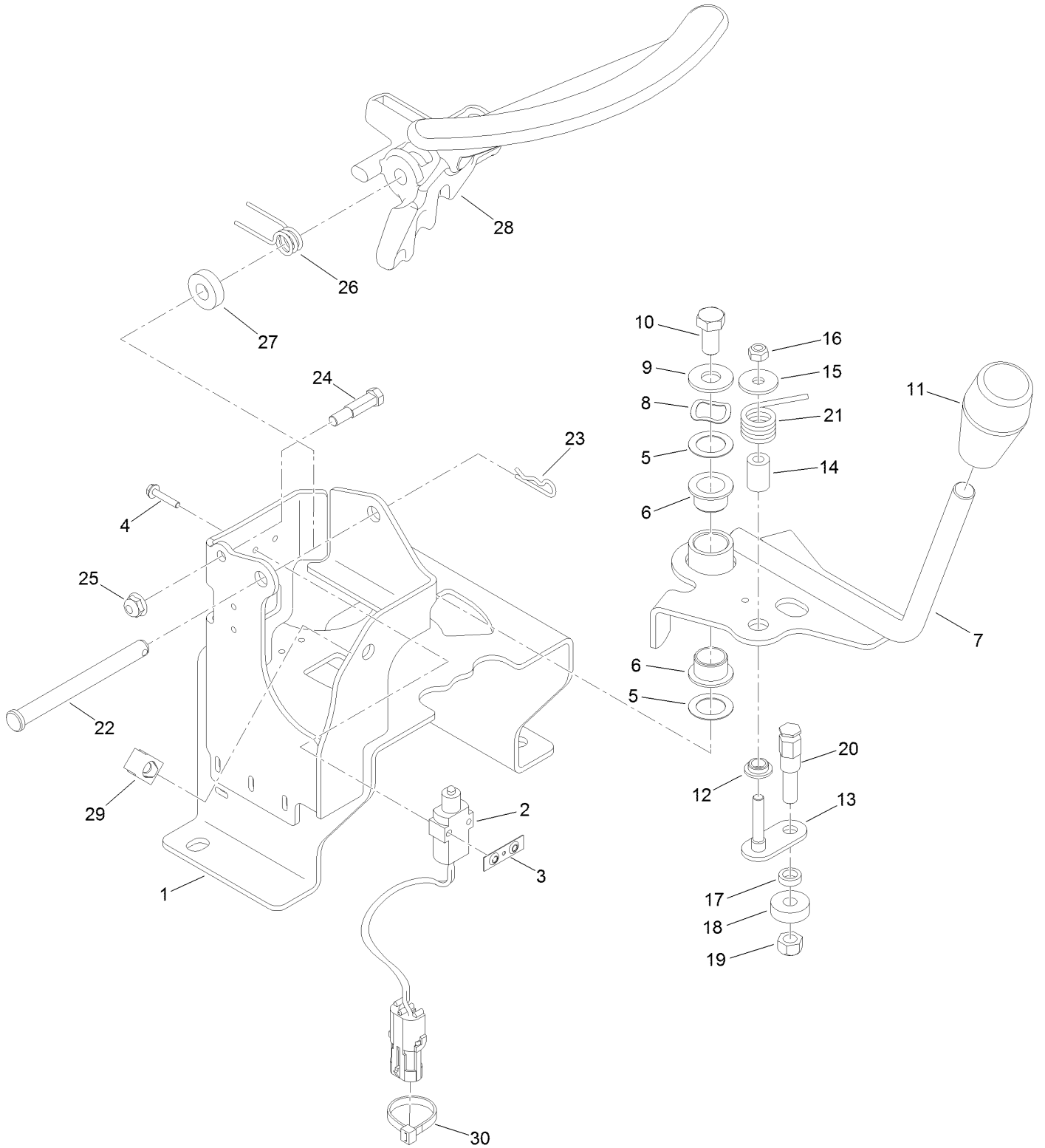
Steering Valve Assembly No. 131-5626



Steering Valve Assembly No. 131-5626 (continued)

<i>Ref.</i>	<i>Part Number</i>	<i>Qty.</i>	<i>Description</i>
1	138-7822	1	Seal And O-Ring Kit

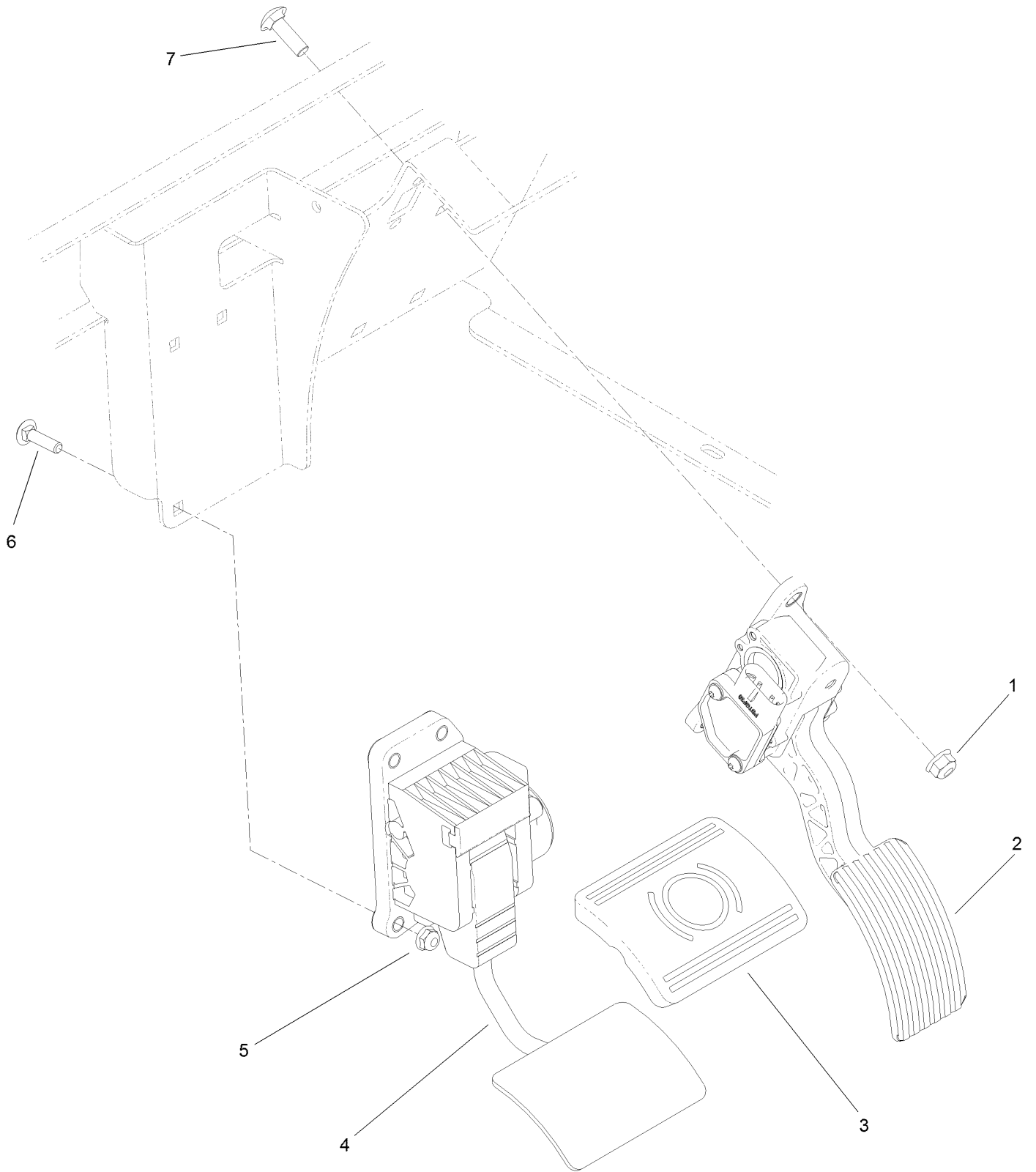
Paddle Shift Assembly



Paddle Shift Assembly (continued)

<i>Ref.</i>	<i>Part Number</i>	<i>Qty.</i>	<i>Description</i>	<i>Ref.</i>	<i>Part Number</i>	<i>Qty.</i>	<i>Description</i>
1	136-9644-03	1	Control	16	33023-00	1	Nut-Lock
2	99-3410	4	Switch	17	82-4240	1	Spacer-Bearing
3	108-9824	4	Nut-Switch	18	251-259	1	Bearing-Ball
4	117-5458	8	Screw-HHF	19	33024-00	1	Nut-Lock, NI
5	7-4650	2	Washer-Plain	20	94-9617	1	Pin-Spring
6	108-2973	2	Bushing-Flange	21	94-9620	1	Spring-Torsion
7	132-8178	1	Lever ASM	22	100-1413	1	Pin-Clevis
8	3290-317	1	Washer-Spring	23	1-806003	1	Pin-Cotter
9	3256-4	1	Washer-Flat	24	132-8187	1	Bolt-Shoulder
10	323-4	1	Screw-HH	25	104-7201	1	Nut-HF, NI
11	131-8473	1	Knob-Tapered	26	131-6107	1	Spring-Torsion
12	94-9619	1	Bushing	27	5-0652	1	Spacer
13	120-3198	1	Roller-Pivot	28	132-8173	1	Paddle
14	94-9618	1	Spacer-Spring	29	107069	1	Clip
15	3256-67	1	Washer	30	3290-378	4	Tie-Cable

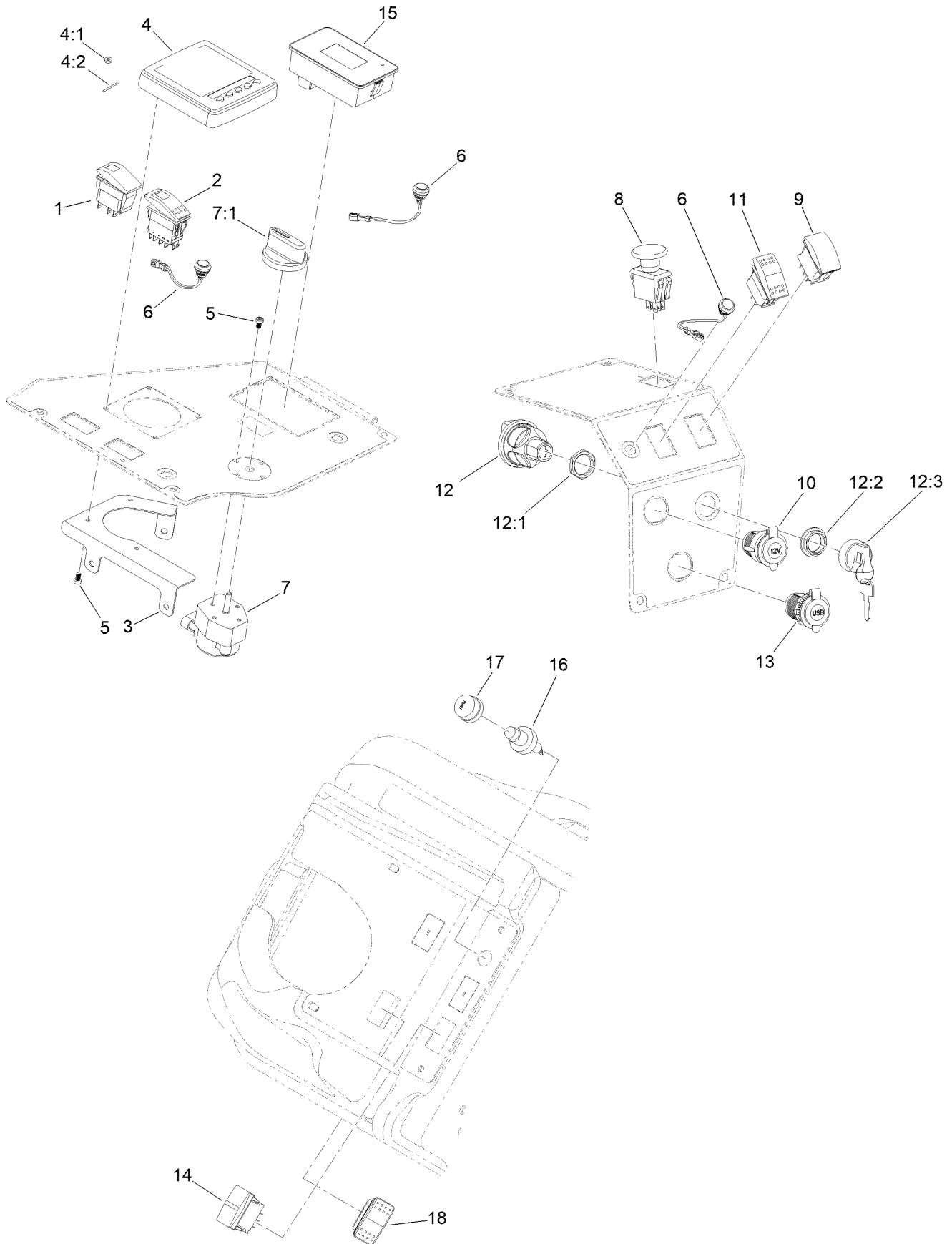
Pedal Assembly



Pedal Assembly (continued)

<i>Ref.</i>	<i>Part Number</i>	<i>Qty.</i>	<i>Description</i>	<i>Ref.</i>	<i>Part Number</i>	<i>Qty.</i>	<i>Description</i>
1	104-8300	3	Nut-HF, NI	5	104-7201	3	Nut-HF, NI
2	121-9675	1	Pedal-Accelerator	6	3229-2	3	Screw-CARR
3	93-8742	1	Footpad-Brake	7	3230-22	3	Screw-CARR
4	138-8270	1	Brake ASM				

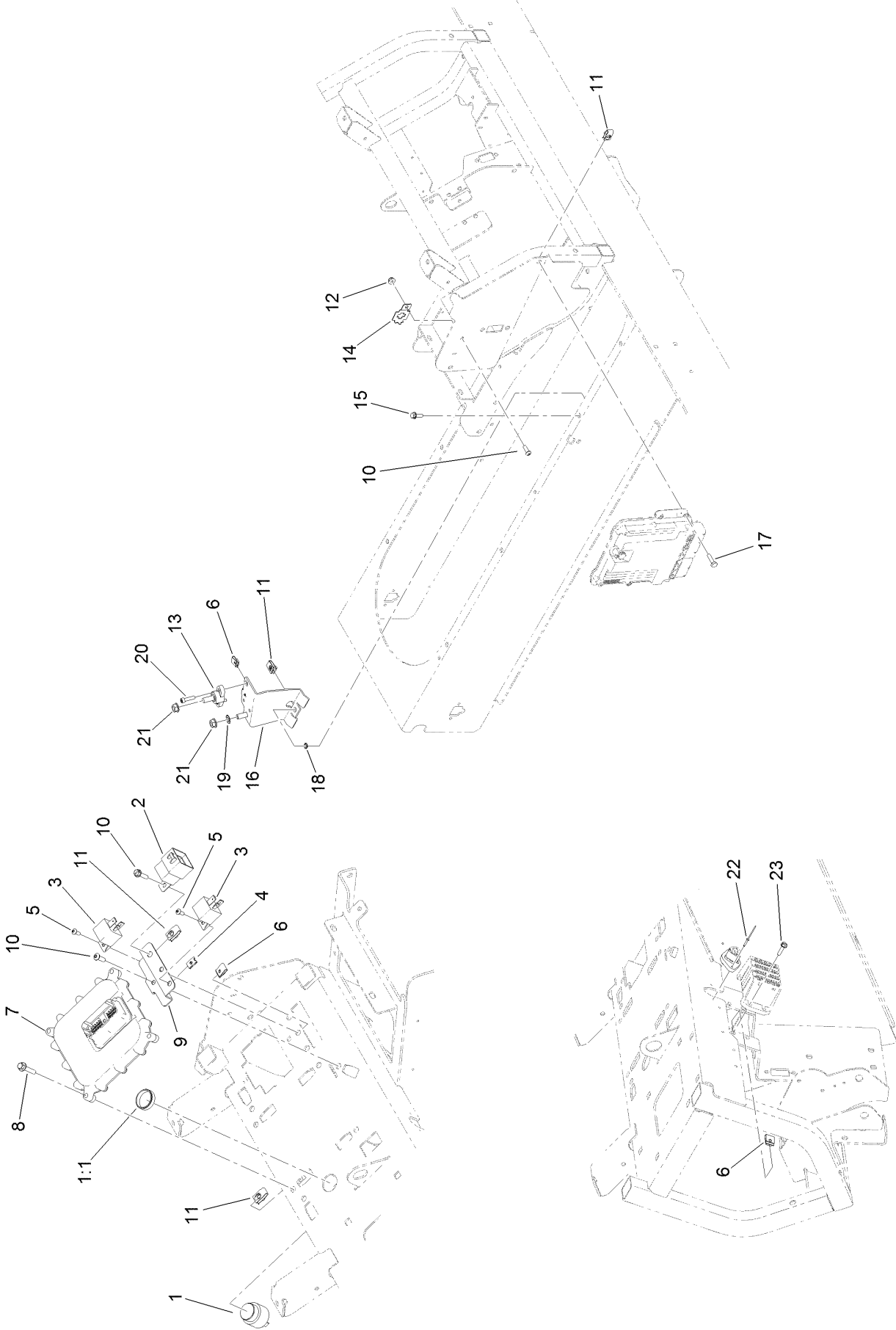
Dash and Console Control Assembly



Dash and Console Control Assembly (continued)

<i>Ref.</i>	<i>Part Number</i>	<i>Qty.</i>	<i>Description</i>	<i>Ref.</i>	<i>Part Number</i>	<i>Qty.</i>	<i>Description</i>
1	105-4232	1	Switch	10	109-9376	1	Receptacle-12V
2	122-0938	1	Switch-Rocker, On-None-On	11	114-3329	1	Switch-Rocker
3	122-1109-0P	1	Bracket-Display	12	121-5159	1	Switch-Ignition
4	125-5320	1	Infocenter	12:1	121-5160	1	Nut-Hex
4:1	115-8884	4	Nut-Thumb	12:2	122-2704	1	Nut-Face, M22 (Plastic)
4:2	115-8885	4	Stud	12:3	121-5162	1	Set-Key, Ignition
5	132-7668	8	Screw-PPH	13	131-8388	1	Socket-USB
6	136-9678	3	Switch-Pushbutton	14	120-0334	1	Switch-Rocker
7	122-1338	1	Switch-Rotary	15	122-1201	1	Module-Display
7:1	122-1362	1	Knob	16	112-3324	1	Switch-Horn
8	93-9999	1	Switch-PTO	17	112-3313	1	Nut-Weatherproof
9	100-1535	1	Switch-Rocker, (On)-Off-(On)	18	95-8999	1	Switch

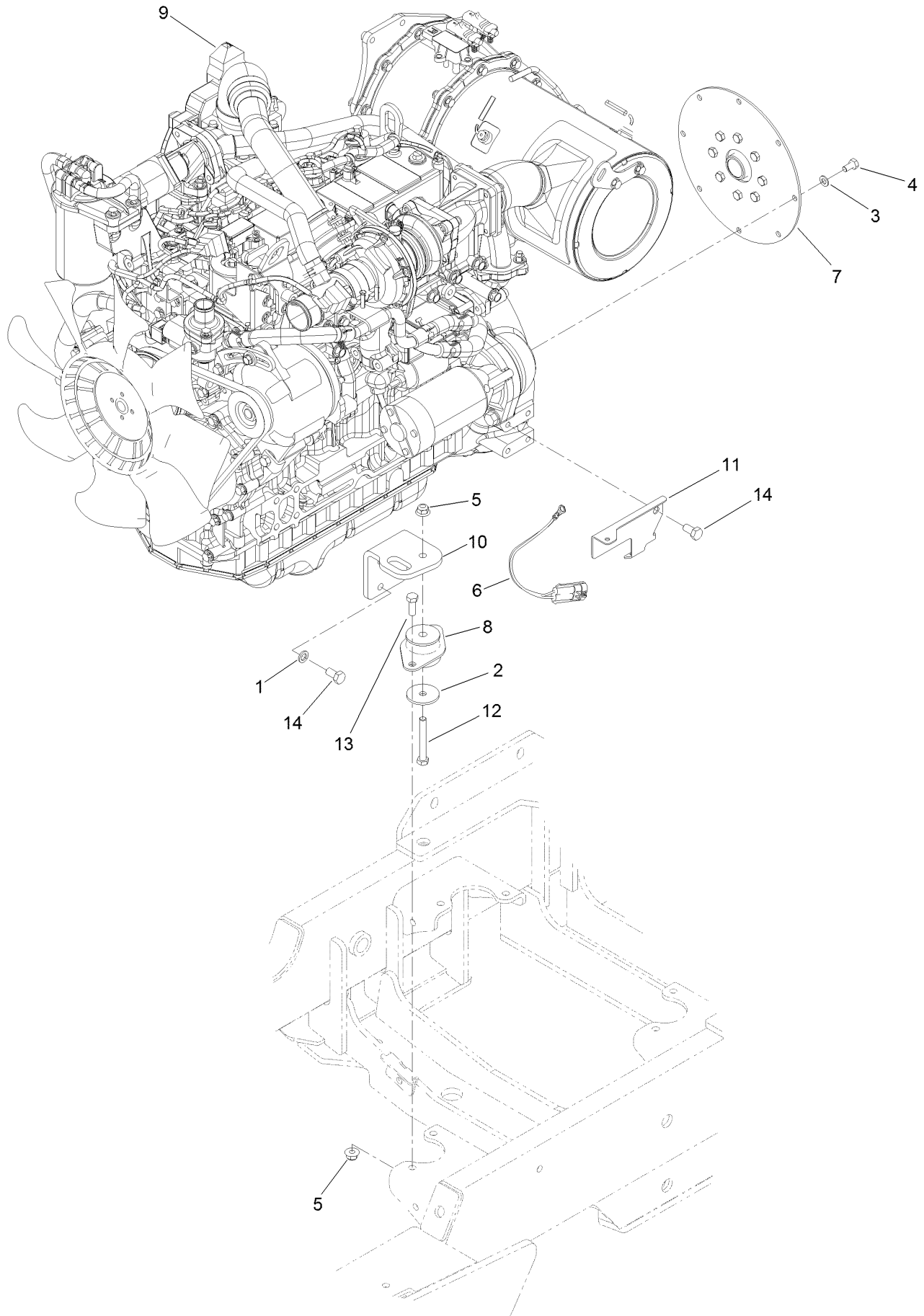
Dash Component Assembly



Dash Component Assembly (continued)

<i>Ref.</i>	<i>Part Number</i>	<i>Qty.</i>	<i>Description</i>	<i>Ref.</i>	<i>Part Number</i>	<i>Qty.</i>	<i>Description</i>
1	80-9330	1	Audio Alarm ASM	13	110-8822	1	Block-Junction
1:1	104-5107	1	Nut-Plastic, Knurled	14	114-5502	1	Clip-Fuse
2	99-7430	1	Relay-Mini	15	115-5103	2	Screw-HHF
3	99-7435	5	Relay	16	138-8144-0P	1	Bracket ASM-Terminal [primed]
4	107-1013	2	Nut-Speed	17	321-6	3	Screw-HH
5	32105-13	9	Screw-HWH	18	3255-7	2	Washer-Lock/EXT
6	120-6686	9	Nut-Clip, U	19	3255-9	1	Washer-Lock
7	127-2770	1	Controller	20	3274-14	2	Screw-HSH
8	127-8639	4	Screw-HHF	21	3290-357	2	Nut-HSF
9	136-9654	1	Bracket-Fuse, Engine	22	136-9679	2	Rivet-Tiny
10	3274-69	3	Screw-HSBH	23	3290-378	1	Tie-Cable
11	107069	11	Clip				
12	104-7201	1	Nut-HF, NI				

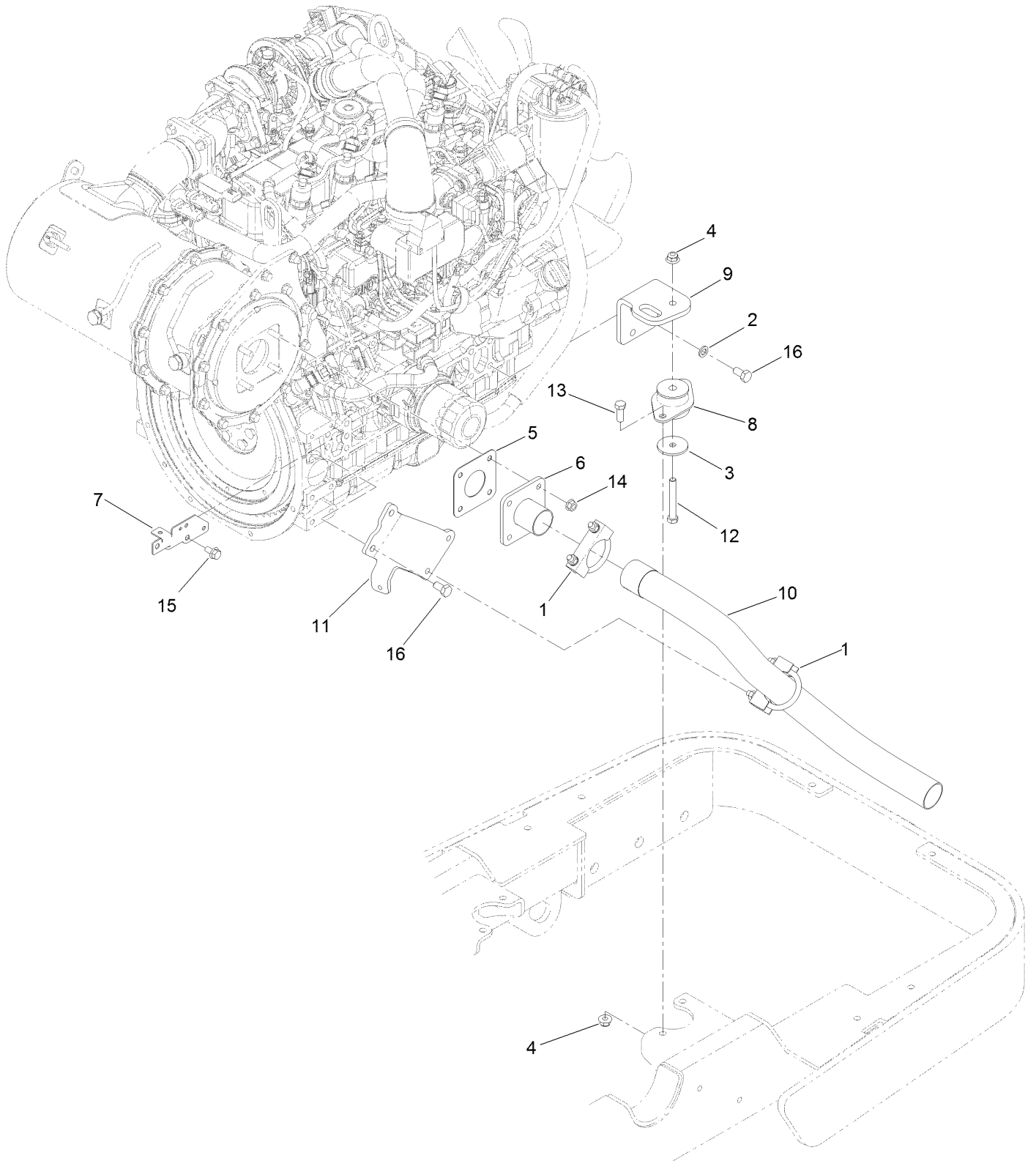
Engine Assembly



Engine Assembly (continued)

<i>Ref.</i>	<i>Part Number</i>	<i>Qty.</i>	<i>Description</i>	<i>Ref.</i>	<i>Part Number</i>	<i>Qty.</i>	<i>Description</i>
1	48-9590	4	Washer-Lock	8	131-1821	1	Mount-Engine
2	63-7400	1	Washer-Rebound	9	138-8198	1	Engine-Yanmar
3	87-7510	8	Washer-Flat	10	132-6304-0P	1	Bracket-Engine
4	99-5132	8	Bolt	11	133-7894	1	Bracket-Wire, LH
5	104-8301	3	Nut-HF, NI	12	323-13	1	Screw-HH
6	108-9470	1	Harness-Wire, Fusible Link	13	323-6	2	Screw-HH
7	120-4176	1	Coupling-Spring, Flywheel	14	33115-020	5	Screw-HH

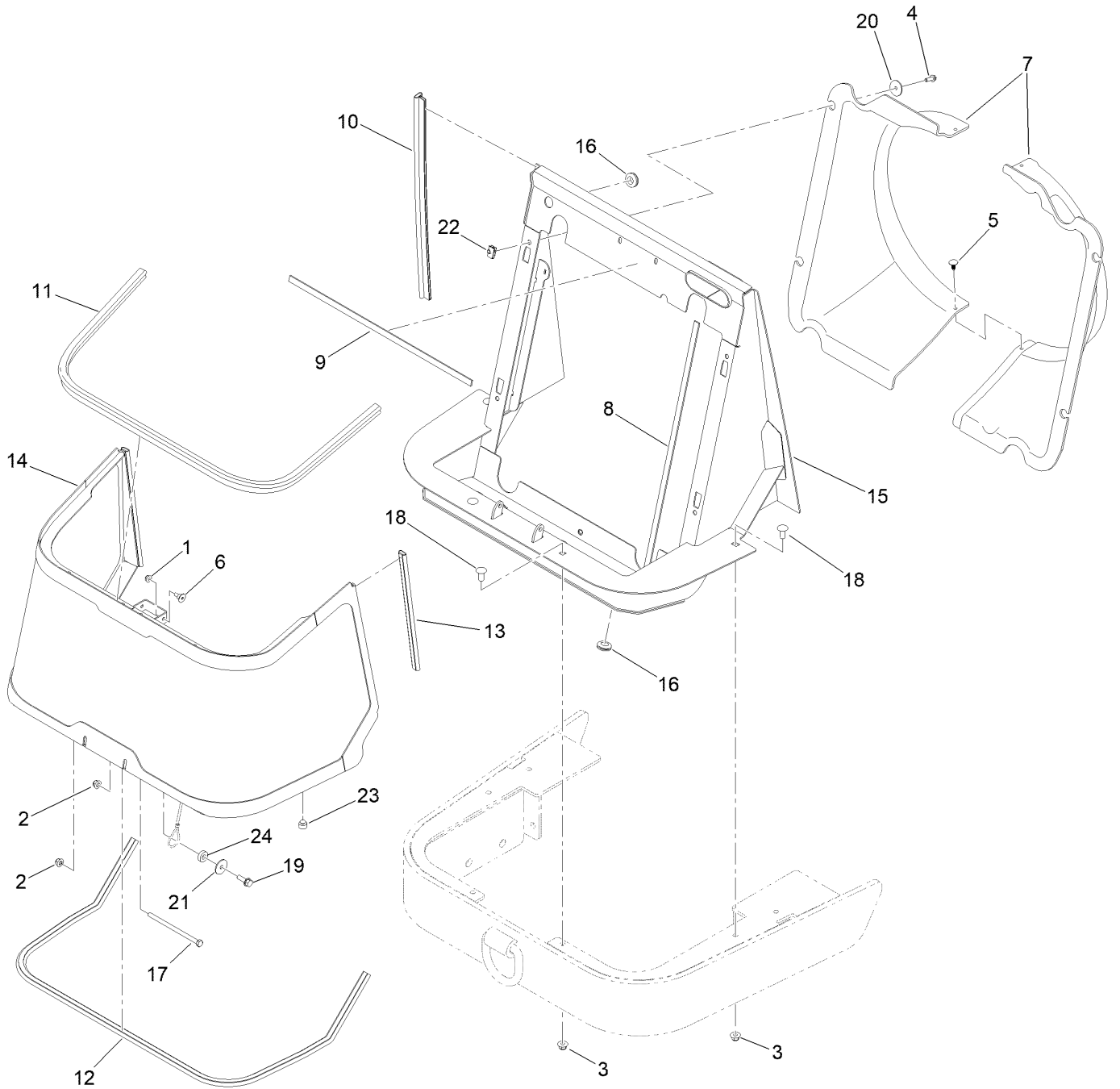
Exhaust and Bracket Assembly



Exhaust and Bracket Assembly (continued)

<i>Ref.</i>	<i>Part Number</i>	<i>Qty.</i>	<i>Description</i>	<i>Ref.</i>	<i>Part Number</i>	<i>Qty.</i>	<i>Description</i>
1	18-2130	2	Clamp	9	132-6304-0P	1	Bracket-Engine
2	48-9590	4	Washer-Lock	10	133-7870	1	Tube-Exhaust
3	63-7400	1	Washer-Rebound	11	133-7893-0P	1	Bracket-Exhaust
4	104-8301	3	Nut-HF, NI	12	323-13	1	Screw-HH
5	121-3058	1	Gasket-Exhaust	13	323-6	2	Screw-HH
6	121-3060	1	Flange-Exhaust	14	33004-00	4	Nut-HF
7	122-0940	1	Bracket-Harness, Engine	15	33104-016	1	Screw-HHF
8	131-1821	1	Mount-Engine	16	33115-020	6	Screw-HH

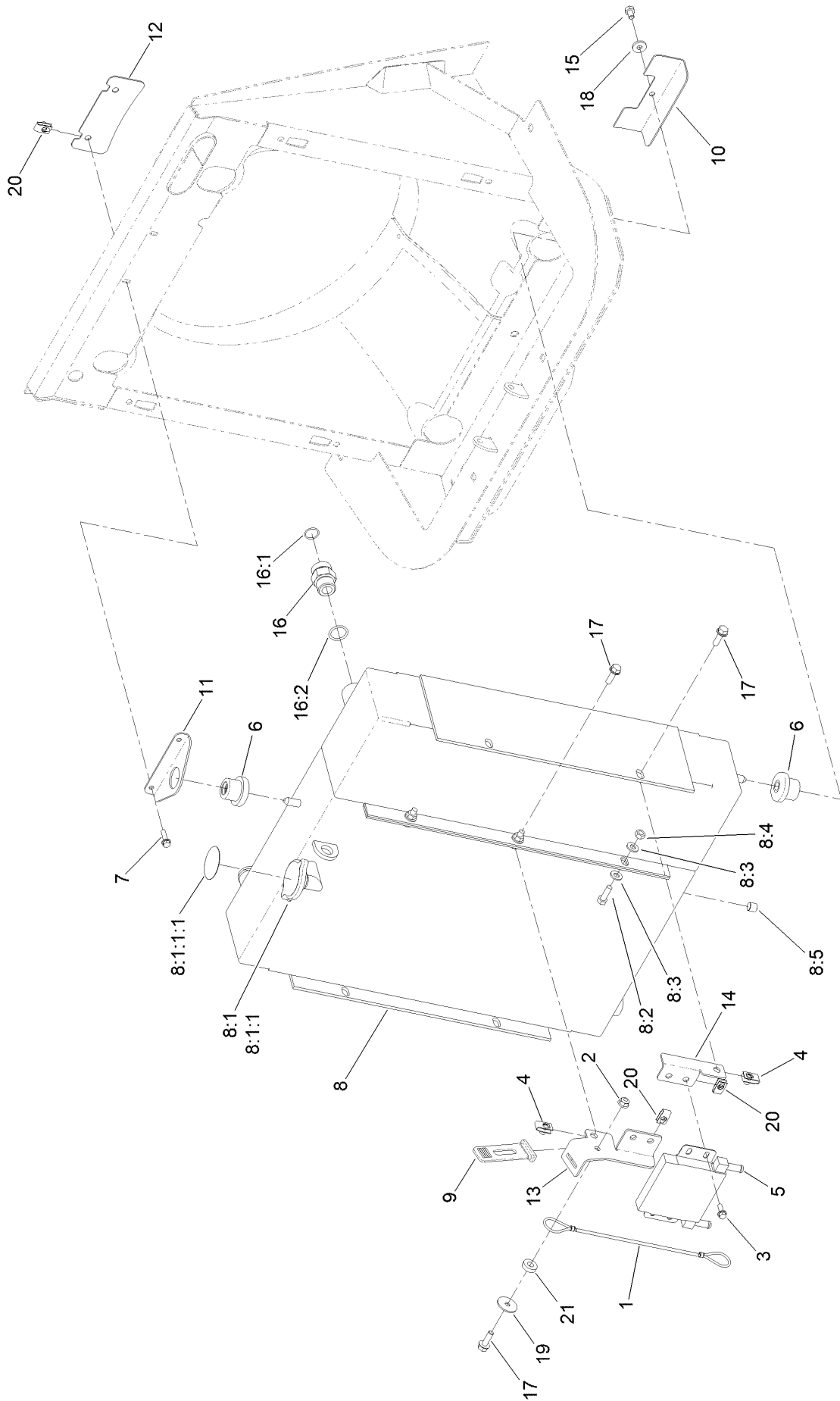
Screen and Support Assembly



Screen and Support Assembly (continued)

<i>Ref.</i>	<i>Part Number</i>	<i>Qty.</i>	<i>Description</i>	<i>Ref.</i>	<i>Part Number</i>	<i>Qty.</i>	<i>Description</i>
1	104-7201	1	Nut-HF, NI	13	138-2028	2	Seal-Bulb
2	104-8300	2	Nut-HF, NI	14	138-2030-03	1	Screen
3	104-8301	4	Nut-HF, NI	15	138-4175-01	1	Mount-Cooling
4	115-5103	4	Screw-HHF	16	237-124	3	Grommet
5	117-2382	2	Plug-Plastic	17	322-49	1	Bolt-HH
6	125-1122	1	Screw	18	3231-27	4	Screw-CARR
7	136-5166	1	Fan Shroud ASM	19	3234-29	1	Screw-HHF
8	136-9862	2	Seal-Foam	20	3256-55	4	Washer-Flat
9	136-9865	2	Seal-Foam	21	3256-57	1	Washer-Flat
10	138-2025	2	Seal-Bulb	22	107069	4	Clip
11	138-2026	1	Seal-Bulb	23	107-8042	2	Bumper-Rubber
12	138-2027	1	Seal-Bulb	24	5-0652	1	Spacer

Radiator Assembly

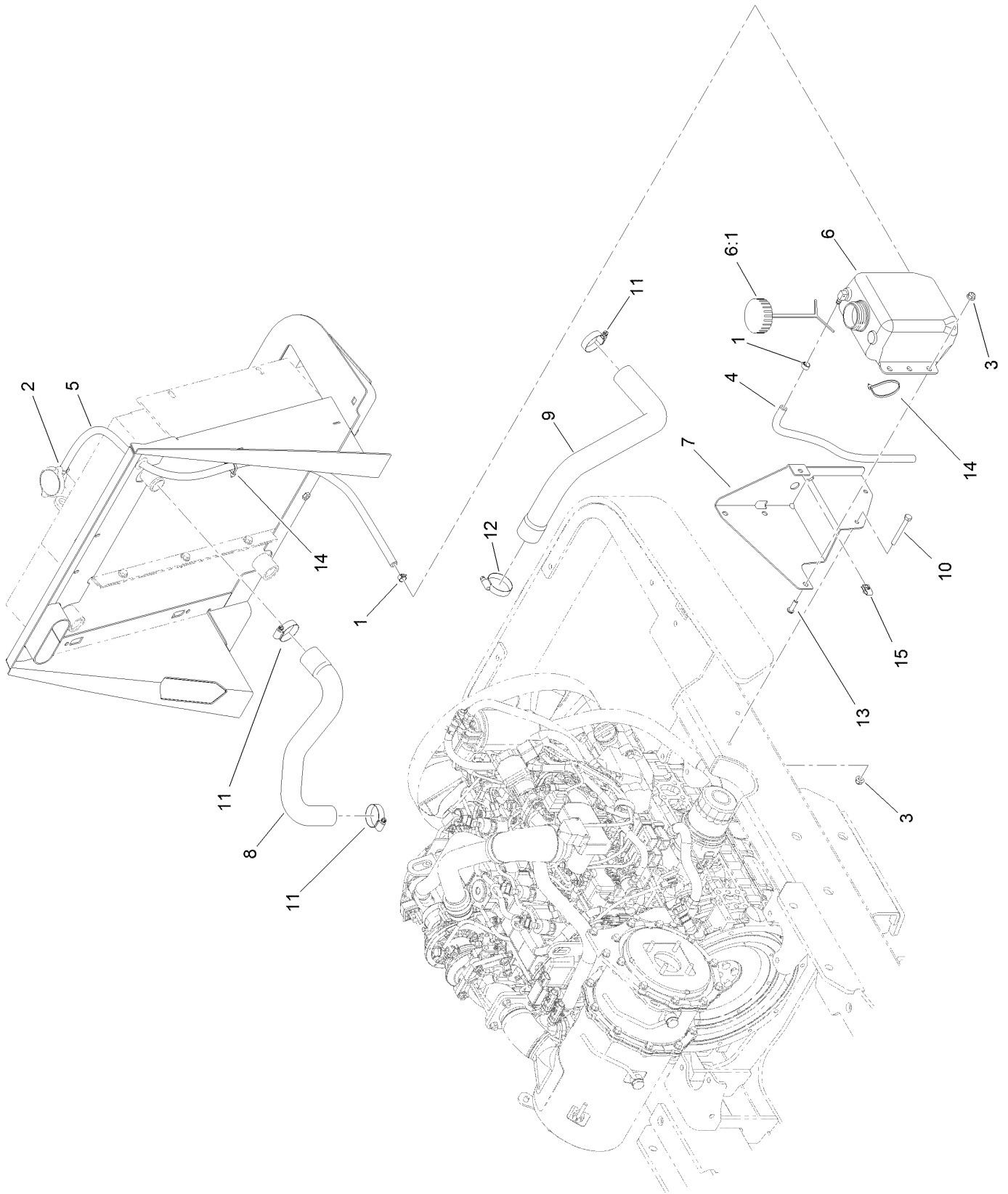


Radiator Assembly (continued)

<i>Ref.</i>	<i>Part Number</i>	<i>Qty.</i>	<i>Description</i>	<i>Ref.</i>	<i>Part Number</i>	<i>Qty.</i>	<i>Description</i>
1	93-9595	1	Lanyard	9	131-8402	1	Strap-Down, Hold
2	104-8300	1	Nut-HF, NI	10	138-1855	1	Bracket-Clamp
3	115-5103	4	Screw-HHF	11	138-2029	1	Bracket-Clamp
4	94-2413	2	Nut-U	12	138-2049	1	Plate-Clamp
5	116-7205	1	Cooler	13	138-3750	1	Bracket-Cooler, RH
6	119-1422	3	Mount-Isolator	14	138-3751	1	Bracket-Cooler, LH
7	120-4654	2	Screw-HHF	15	322-1	1	Screw-HH
8	131-5630	1	Radiator Cooler ASM	16	340-9	2	Fitting-STR
8:1	119-1430	1	Radiator Cap ASM	16:1	237-58	1	O-Ring
8:1:1		1	Cap-Radiator ●	16:2	237-81	1	O-Ring
8:1:1:1	117-3276	1	Decal-Danger	17	3234-29	3	Screw-HHF
8:2	33114-025	6	Screw-HH	18	88-7200	1	Washer-Flat
8:3	33094-00	12	Washer-Plain	19	3256-57	1	Washer-Flat
8:4	33014-00	6	Nut-Hex	20	107069	6	Clip
8:5	99-8551	1	Plug-Pipe	21	5-0652	1	Spacer

● Not serviced separately

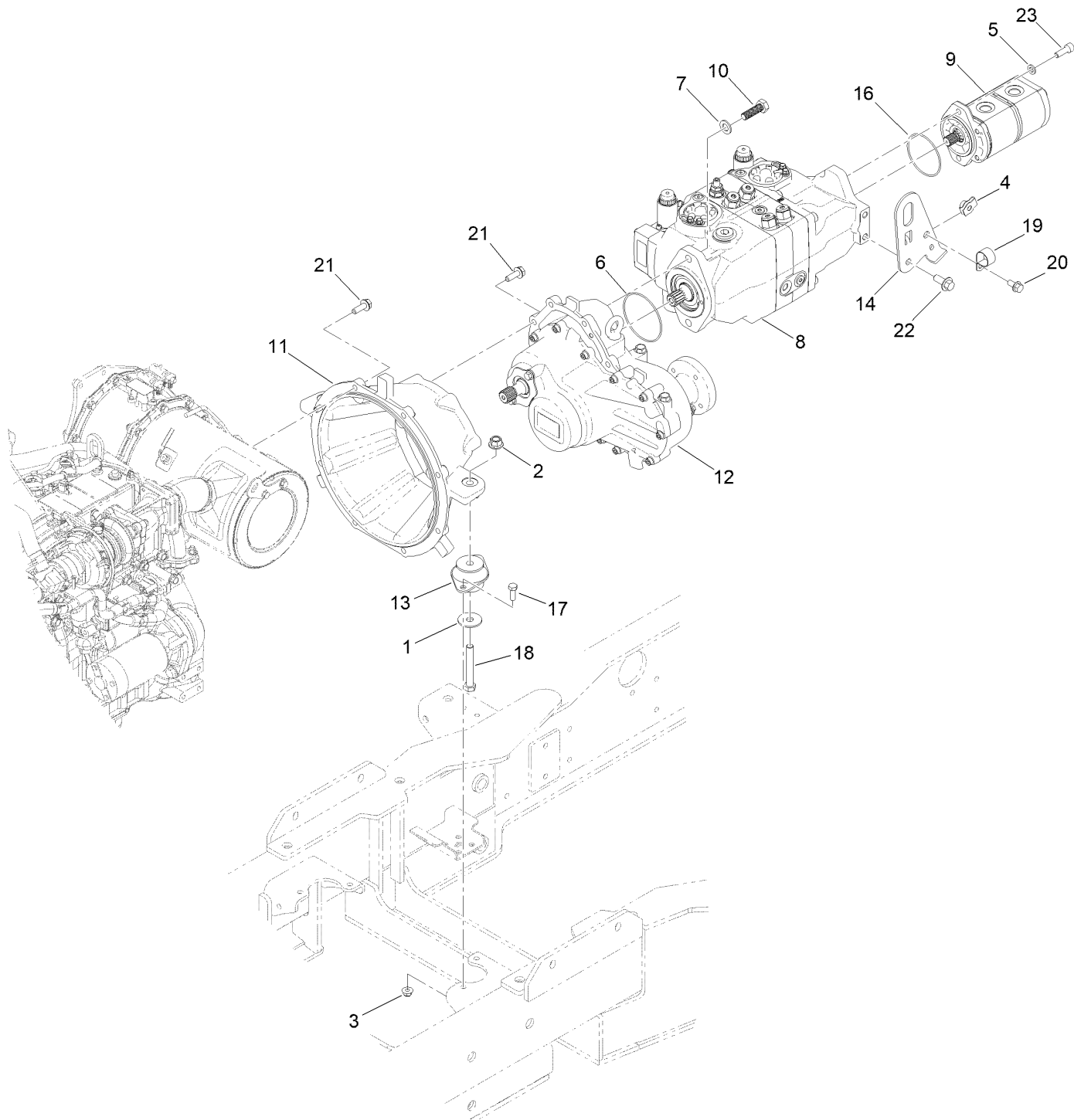
Engine Cooling and Hose Assembly



Engine Cooling and Hose Assembly (continued)

<i>Ref.</i>	<i>Part Number</i>	<i>Qty.</i>	<i>Description</i>	<i>Ref.</i>	<i>Part Number</i>	<i>Qty.</i>	<i>Description</i>
1	92-2379	2	Clamp-Hose	8	136-5178	1	Hose-Coolant, Upper
2	2412-108	1	Clamp-Worm	9	136-5179	1	Hose-Coolant, Lower
3	104-8300	5	Nut-HF, NI	10	322-13	2	Screw-HH
4	110-4109	1	Hose-Fuel	11	2412-111	3	Clamp-Hose, W/Liner
5	110-4114	1	Hose-Fuel	12	2412-3	1	Clamp-Hose
6	144-6219	1	Reservoir-Coolant ASM	13	3274-104	3	Screw-HSBH
6:1	87-7050	1	Cap-Reservoir	14	3290-378	2	Tie-Cable
7	136-5171-01	1	Bracket-Bottle	15	107069	1	Clip

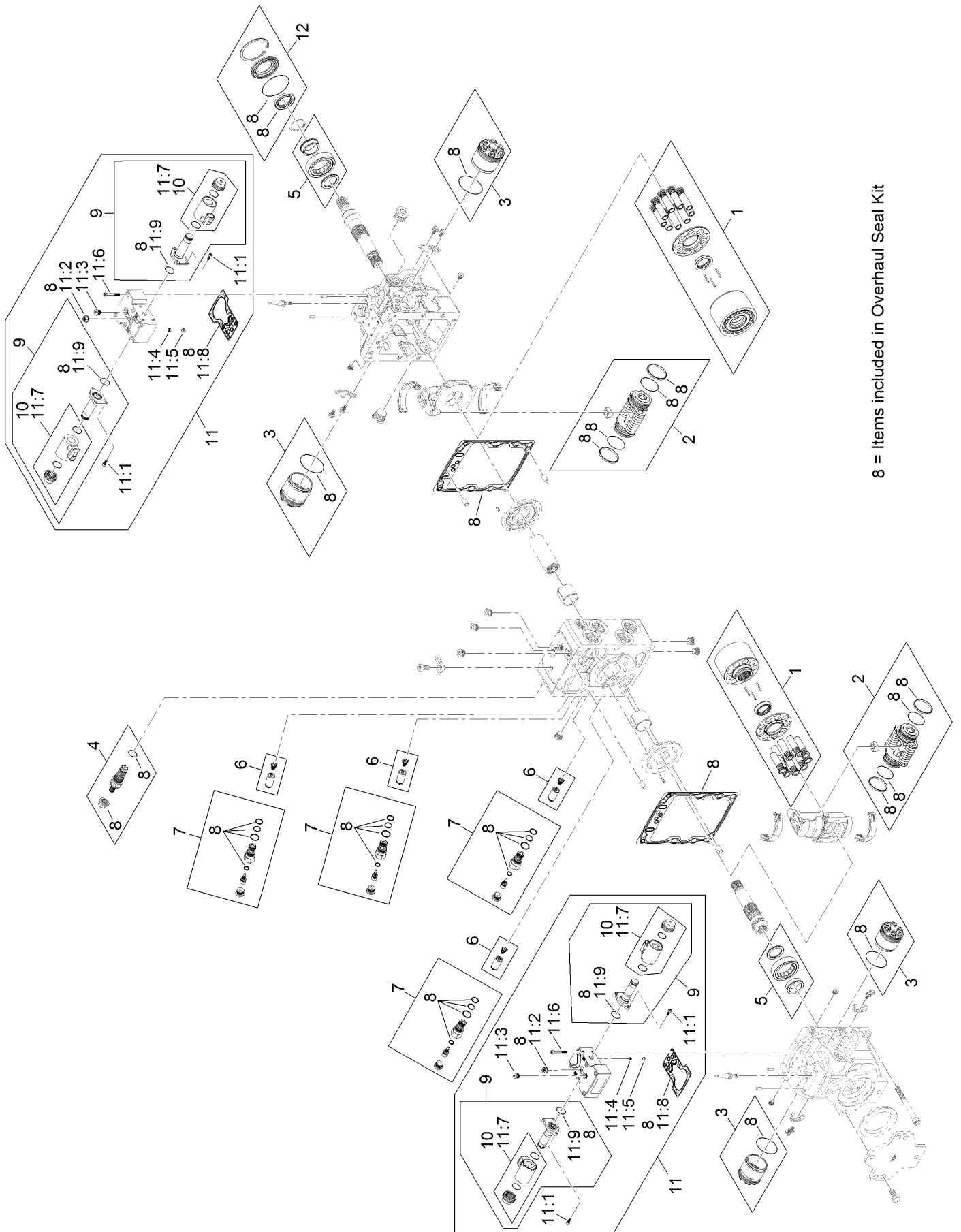
Transmission, Gearbox and Gear Pump Assembly



Transmission, Gearbox and Gear Pump Assembly (continued)

<i>Ref.</i>	<i>Part Number</i>	<i>Qty.</i>	<i>Description</i>	<i>Ref.</i>	<i>Part Number</i>	<i>Qty.</i>	<i>Description</i>
1	86-1990	2	Washer-Thrust	12	138-4083	1	Gearbox ASM
2	99-5107	2	Nut-Lock	13	133-7877	2	Mount-Engine
3	104-8301	4	Nut-HF, NI	14	133-7910-0P	1	Plate-Hanger, Pump
4	105-4886	1	Nut-Tinnerman	16	237-161	1	O-Ring
5	107-1413	2	Washer-Hardened	17	323-6	4	Screw-HH
6	107-9447	1	O-Ring	18	325-14	2	Screw-HH
7	115-7144	2	Washer-Flat	19	2412-126	1	R-Clamp
8	131-5625	1	Hydraulic Tandem Pump ASM	20	3234-1	1	Screw-HHF
9	131-5632	1	Dual Gear Pump ASM	21	33105-030	15	Screw-HHF
10	AU615-14045	2	Screw-HH	22	33106-020	1	Screw-HHF
11	132-8195	1	Housing-Flywheel	23	AU862-10030	2	Screw-HSH

Hydraulic Tandem Pump Assembly No. 131-5625

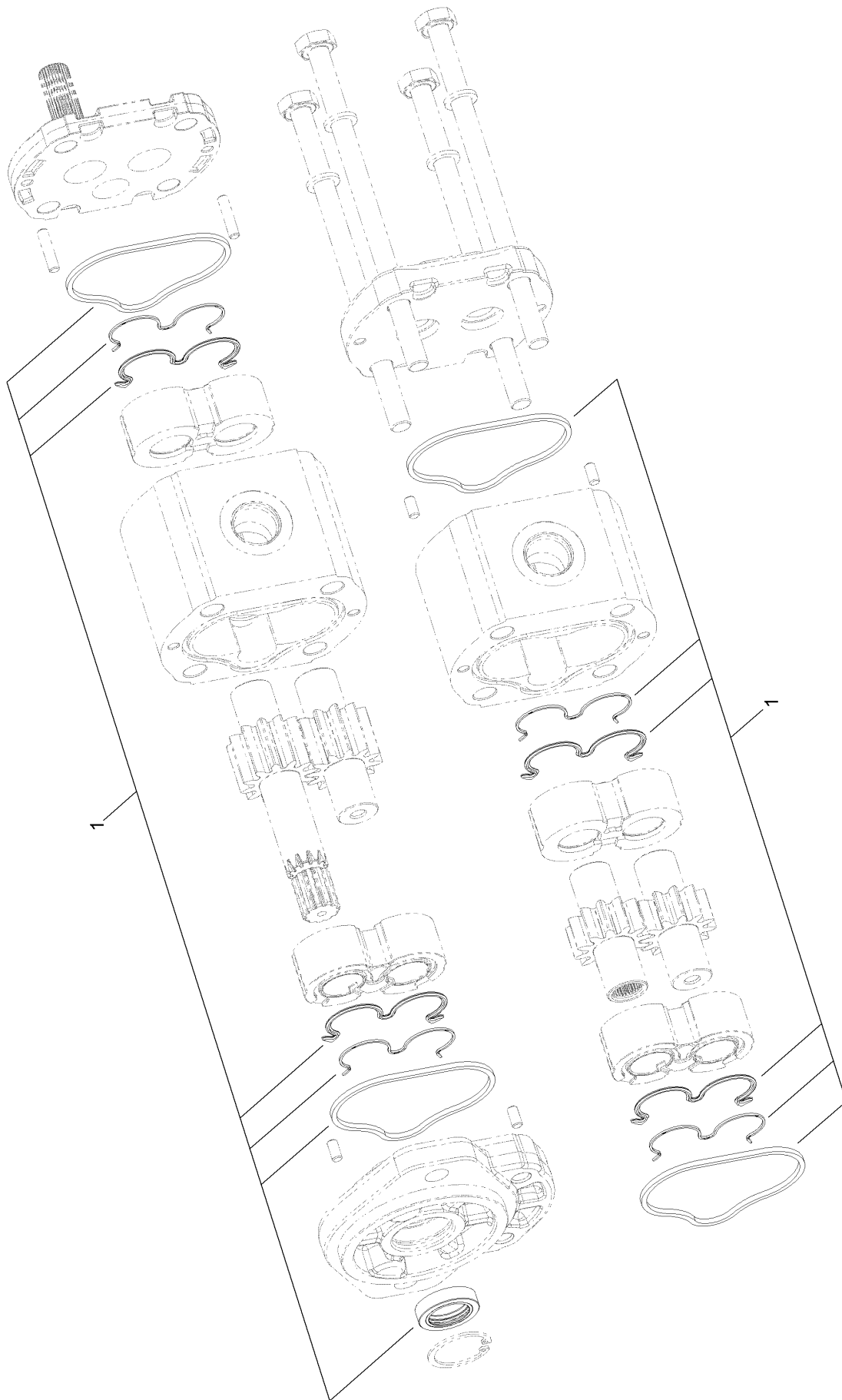


8 = Items included in Overhaul Seal Kit

Hydraulic Tandem Pump Assembly No. 131-5625 (continued)

<i>Ref.</i>	<i>Part Number</i>	<i>Qty.</i>	<i>Description</i>	<i>Ref.</i>	<i>Part Number</i>	<i>Qty.</i>	<i>Description</i>
1	121-1723	2	Cylinder Block Kit	11:1	125-5272	6	Screw
2	121-1725	2	Servo Piston ASM	11:2	125-5273	1	Nut-Seal
3	136-4996	4	Servo Cylinder ASM	11:3	125-5302	1	Plug
4	136-8296	1	Charge Relief Valve Kit	11:4	125-5266	1	Screen
5	125-5279	1	Bearing-Roller	11:5	125-5269	1	Ring-Locking
6	138-7864	4	S C R Valve ASM	11:6	125-5274	6	Screw
7	138-7865	4	S C R Valve Plug ASM	11:7	125-5294	2	Coil Kit
8	136-8295	1	Overhaul Seal Kit	11:8	125-5283	1	Gasket-Control
9	138-7866	4	Valve-Solenoid	11:9	125-5288	2	O-Ring
10	125-5294	4	Coil Kit	12	121-1729	1	Shaft Seal Kit
11	125-5295	2	Control Kit (12 Volt)				

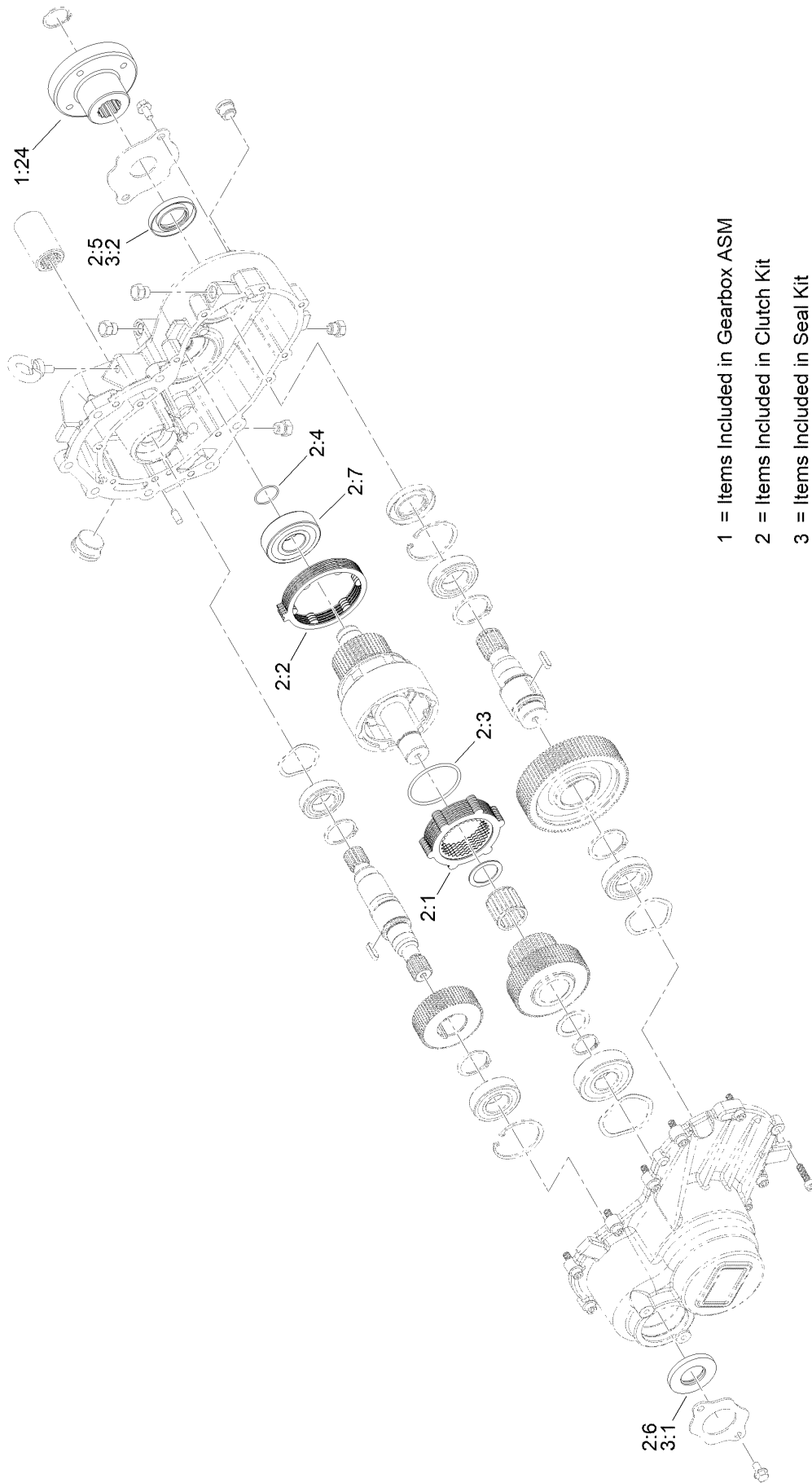
Hydraulic Gear Pump Assembly No. 131-5632



Hydraulic Gear Pump Assembly No. 131-5632 (continued)

<i>Ref.</i>	<i>Part Number</i>	<i>Qty.</i>	<i>Description</i>
1	138-7818	1	Seal Kit

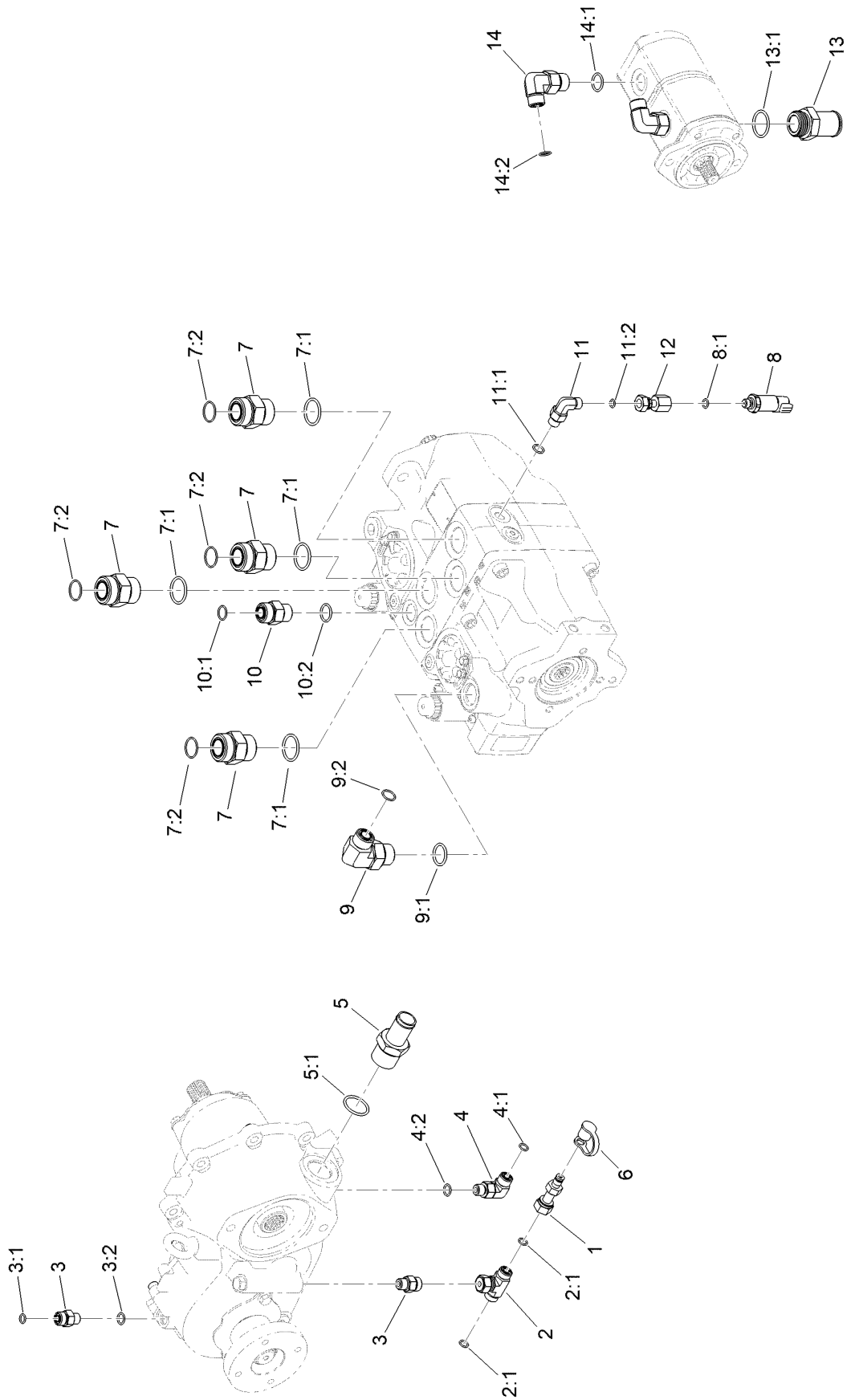
Gearbox Assembly No. 138-4083



Gearbox Assembly No. 138-4083 (continued)

<i>Ref.</i>	<i>Part Number</i>	<i>Qty.</i>	<i>Description</i>	<i>Ref.</i>	<i>Part Number</i>	<i>Qty.</i>	<i>Description</i>
1	133-4750	1	Gearbox ASM	2:5	131-5584	1	Seal-Oil
1:24	136-9555	1	Hub-Driveshaft	2:6	133-4775	1	Seal-Oil
2	136-5280	1	Clutch Kit	2:7	131-5582	1	Bearing-Ball
2:1	136-5285	1	Clutch Pack ASM	3	136-5281	1	Seal Kit
2:2	136-5286	1	Brake Pack ASM	3:1	133-4775	1	Seal-Oil
2:3	237-173	1	O-Ring	3:2	131-5584	1	Seal-Oil
2:4	132-7837	1	O-Ring				

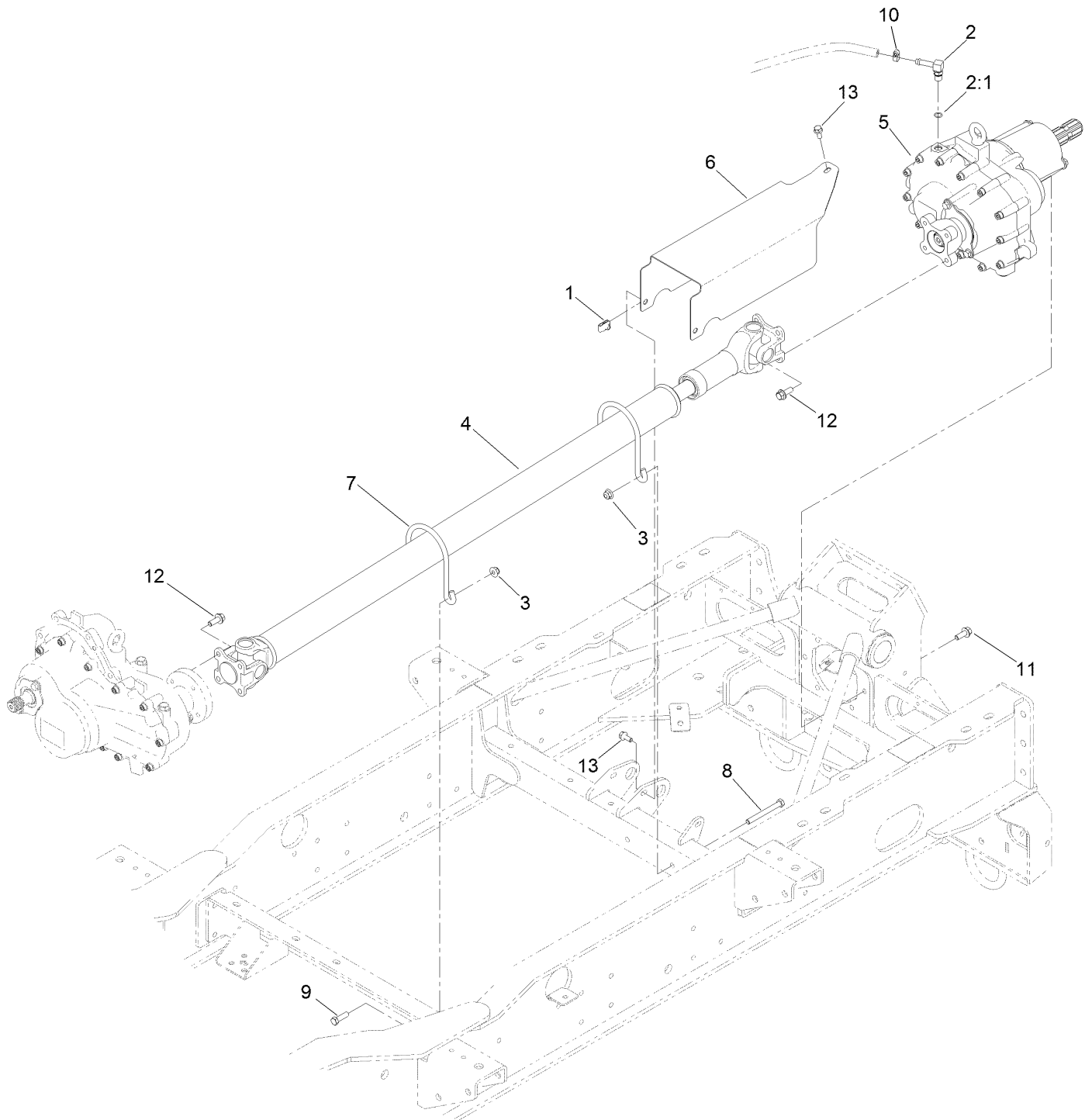
Transmission, Gearbox and Gear Pump Fitting Assembly



Transmission, Gearbox and Gear Pump Fitting Assembly (continued)

<i>Ref.</i>	<i>Part Number</i>	<i>Qty.</i>	<i>Description</i>	<i>Ref.</i>	<i>Part Number</i>	<i>Qty.</i>	<i>Description</i>
1	86-5480	1	Nipple-Test	8:1	237-78	1	O-Ring
2	340-166	1	Fitting-Tee	9	340-139	1	Fitting-Elbow 90
2:1	237-22	2	O-Ring	9:1	237-81	1	O-Ring
3	340-2	2	Fitting-Straight	9:2	237-65	1	O-Ring
3:1	237-22	1	O-Ring	10	340-7	1	Fitting-Straight
3:2	237-42	1	O-Ring	10:1	237-65	1	O-Ring
4	340-77	1	Fitting-Elbow, 90 DEG	10:2	237-80	1	O-Ring
4:1	237-22	1	O-Ring	11	340-82	2	Fitting-Elbow, 90 DEG
4:2	237-42	1	O-Ring	11:1	237-42	1	O-Ring
5	354-78	1	Fitting-STR	11:2	237-21	1	O-Ring
5:1	237-146	1	O-Ring	12	AU8SA60404	2	Fitting-Straight
6	354-79	1	Cap-Dust	13	125-1528	1	Fitting-STR
7	104-3797	4	Fitting-Straight	13:1	237-146	1	O-Ring
7:1	237-146	1	O-Ring	14	340-105	2	Fitting-Elbow, 90 DEG
7:2	340-65	1	O-Ring	14:1	237-80	1	O-Ring
8	119-0011	2	Pressure Transducer ASM	14:2	237-30	1	O-Ring

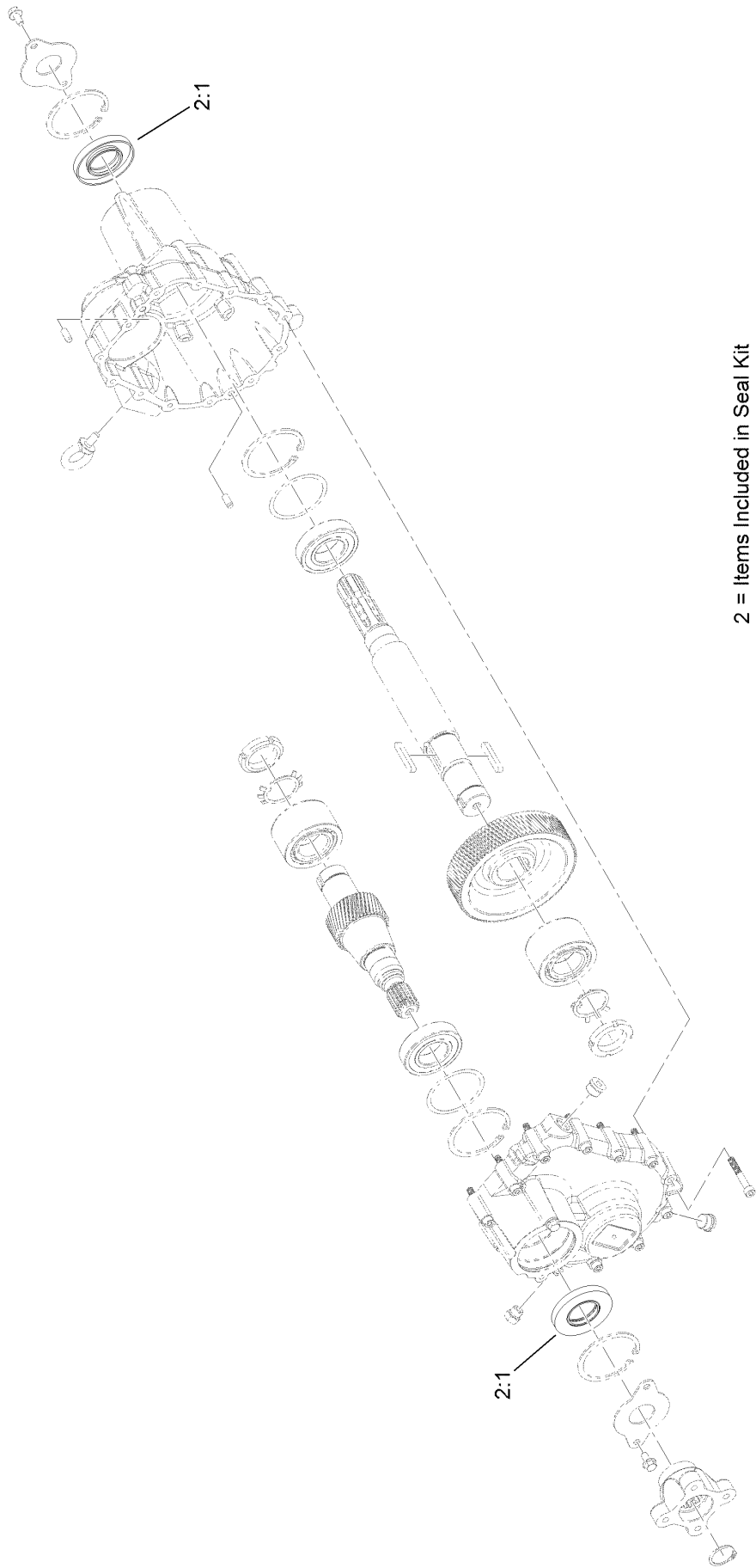
Driveshaft and Gearbox Assembly



Driveshaft and Gearbox Assembly (continued)

<i>Ref.</i>	<i>Part Number</i>	<i>Qty.</i>	<i>Description</i>	<i>Ref.</i>	<i>Part Number</i>	<i>Qty.</i>	<i>Description</i>
1	94-2413	2	Nut-U	7	136-9977	2	Rod-Guard
2	126-2927	1	Fitting-90 DEG	8	323-15	2	Screw-HH
2:1	237-42	1	O-Ring	9	323-7	2	Screw-HH
3	104-8301	4	Nut-HF, NI	10	2412-108	1	Clamp-Worm
4	132-7844	1	Driveshaft ASM	11	3234-11	6	Screw-HHF
5	133-4790	1	Gearbox ASM	12	3234-42	8	Screw-HHF
6	136-5149-0P	1	Shield-Driveshaft	13	3234-47	3	Screw-HHF

Gearbox Assembly No. 133-4790

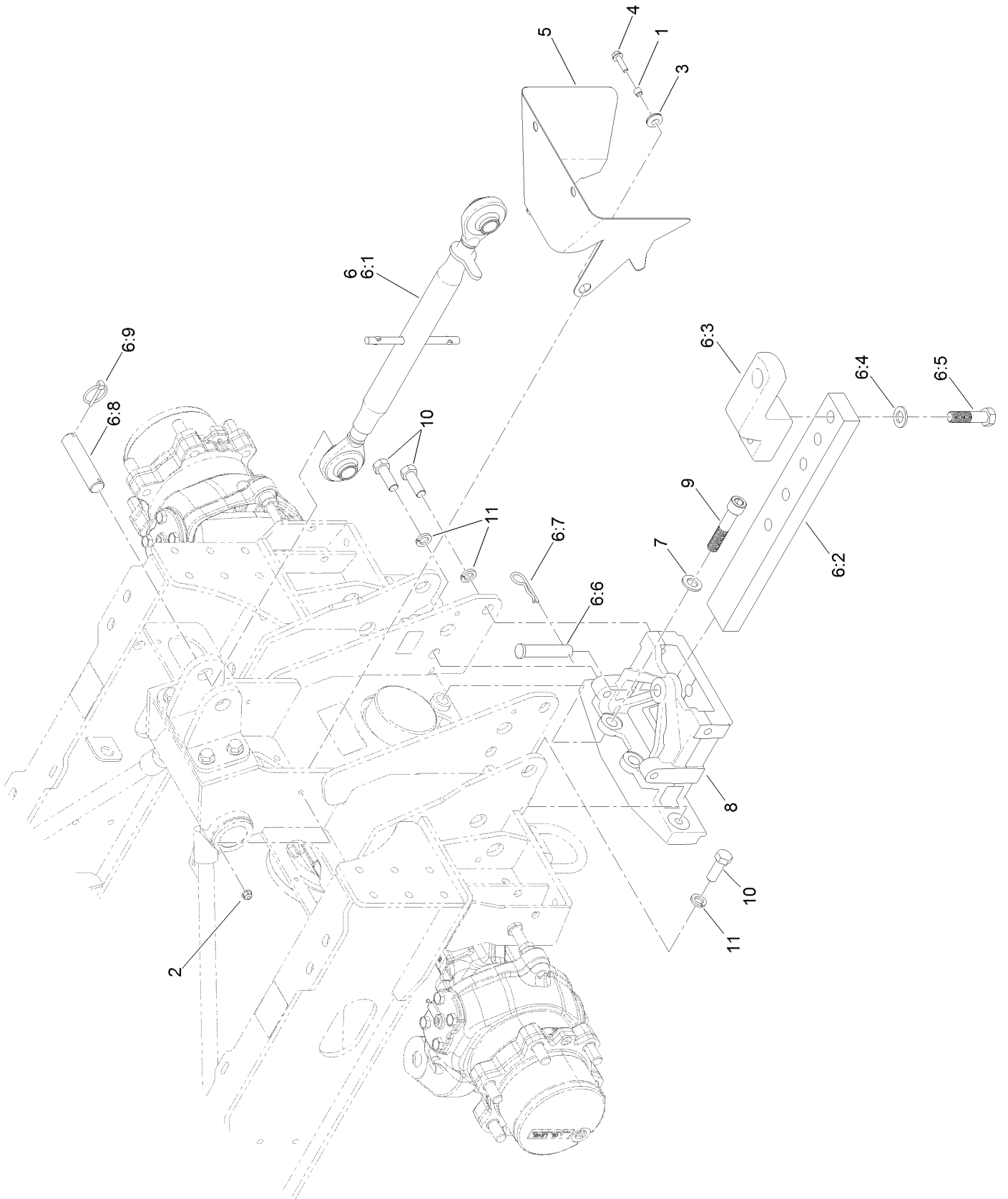


2 = Items Included in Seal Kit

Gearbox Assembly No. 133-4790 (continued)

<i>Ref.</i>	<i>Part Number</i>	<i>Qty.</i>	<i>Description</i>
2	136-5279	1	Seal Kit
2:1	133-4882	2	Seal-Shaft

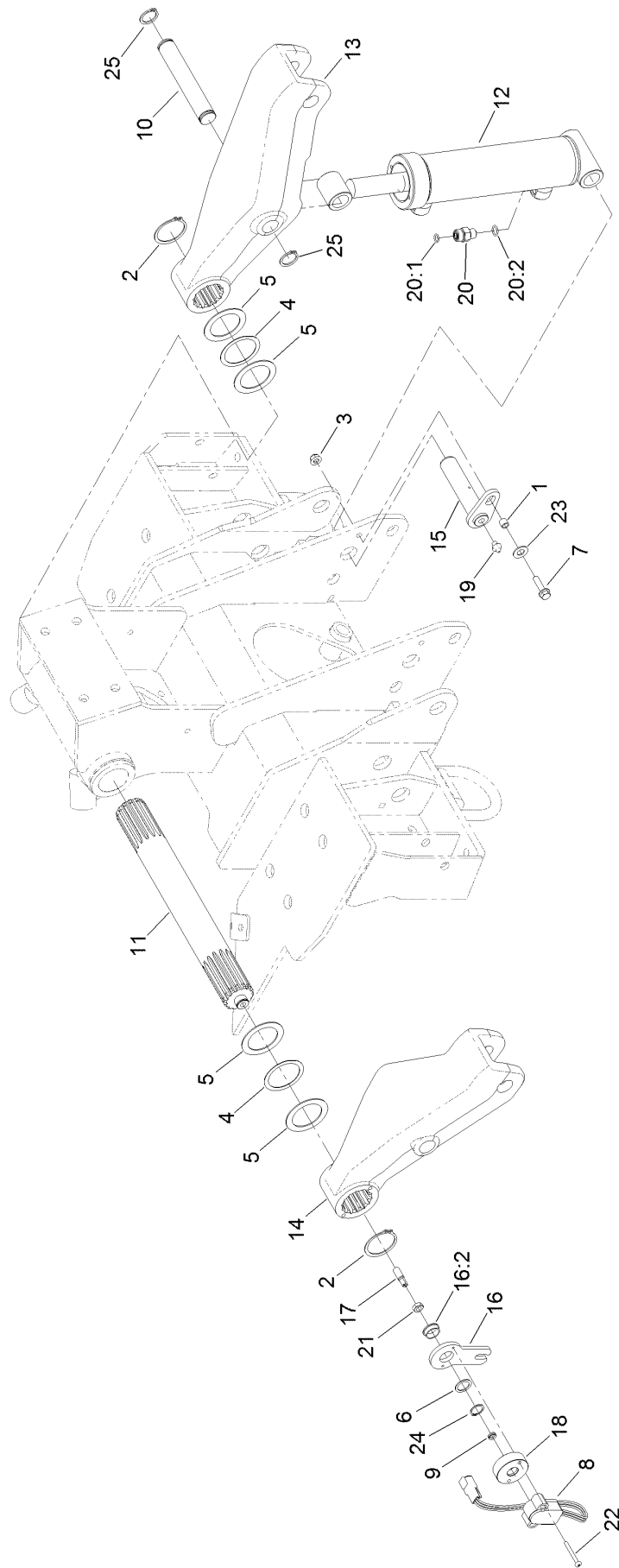
Drawbar Hitch and Upper Link Assembly



Drawbar Hitch and Upper Link Assembly (continued)

<i>Ref.</i>	<i>Part Number</i>	<i>Qty.</i>	<i>Description</i>	<i>Ref.</i>	<i>Part Number</i>	<i>Qty.</i>	<i>Description</i>
1	1-633545	2	Spacer	6:5	136-5257	2	Screw-HH
2	104-8300	2	Nut-HF, NI	6:6	136-8908	1	Pin-Clevis
3	112-9559	2	Grommet	6:7	3290-343	1	Pin-Hair
4	119-4036	2	Screw-HHF	6:8	131-5443	1	Pin-Cylinder
5	133-7631-03	1	Shield-Shaft, PTO	6:9	92-1298	2	Pin-Lynch
6	136-5135	1	Drawbar Upper Arm ASM	7	136-5267	2	Washer-Plain
6:1	132-8090	1	Pitch Control Link ASM	8	136-5318	1	Support-Drawbar
6:2	133-7620-03	1	Drawbar	9	136-9729	2	Screw-HSH
6:3	133-7621-03	1	Hammer Strap	10	327-5	6	Screw-HH
6:4	136-5267	2	Washer-Plain	11	3253-23	6	Washer-Lock

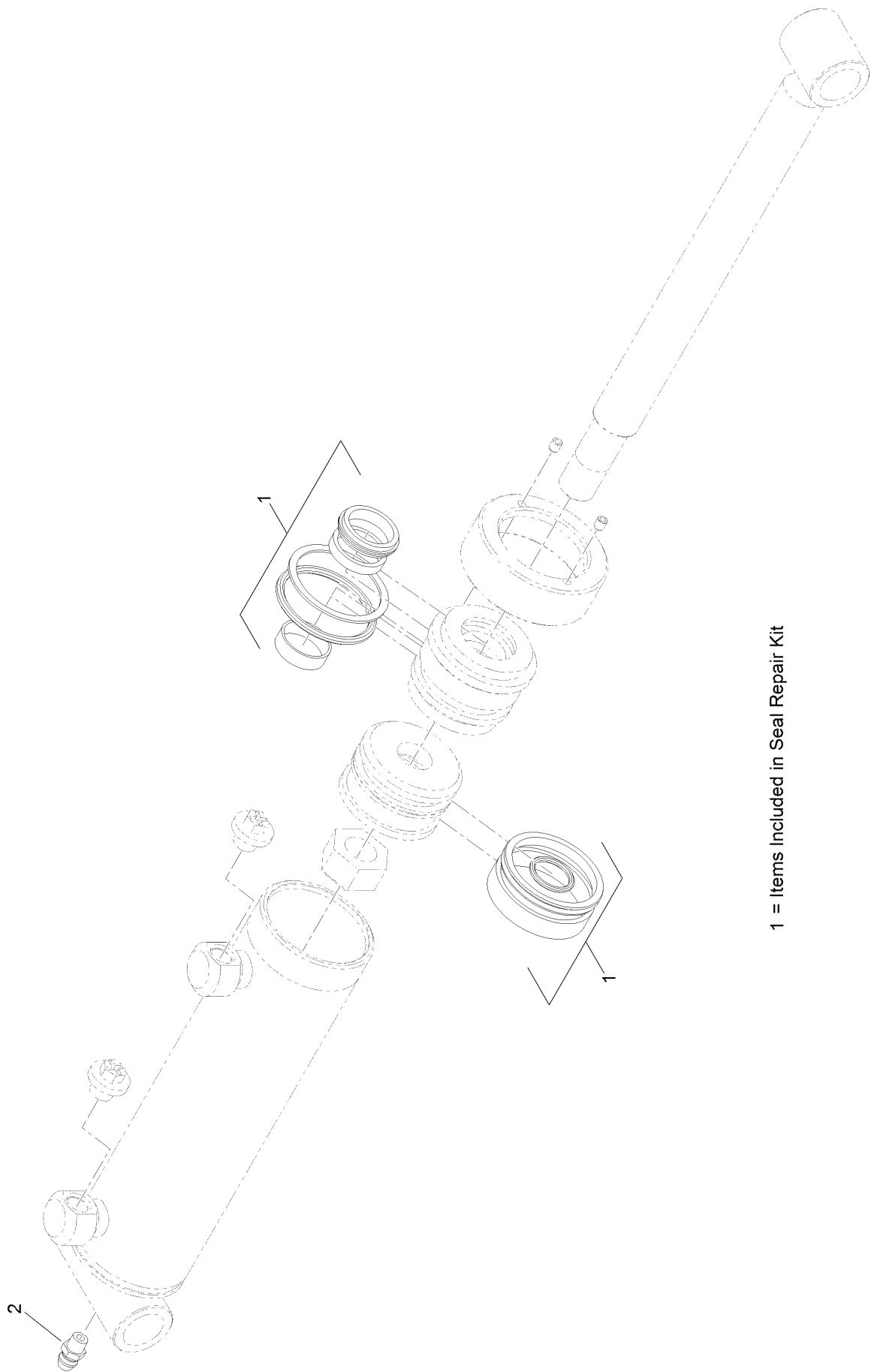
Rear Lift Assembly



Rear Lift Assembly (continued)

<i>Ref.</i>	<i>Part Number</i>	<i>Qty.</i>	<i>Description</i>	<i>Ref.</i>	<i>Part Number</i>	<i>Qty.</i>	<i>Description</i>
1	1-633545	2	Spacer	15	133-7638	2	Pin ASM
2	100-4196	2	Ring-Retaining	16	133-7800	1	Sensor Stop ASM
3	104-8300	2	Nut-HF, NI	16:2	99-4243	1	Bushing-Flange
4	107-3947	2	Washer-Nylon	17	133-7804	1	Shaft-Sensor
5	115-0169	4	Washer-Thrust	18	133-7805	1	Spacer-Sensor
6	115-7210	1	Washer-Thrust	19	302-2	2	Fitting-Grease
7	119-4036	2	Screw-HHF	20	340-2	4	Fitting-Straight
8	122-0943	1	Sensor-Position	20:1	237-22	1	O-Ring
9	131-3187	1	Seal-V-Ring	20:2	237-42	1	O-Ring
10	131-5444	2	Pin	21	3220-3	1	Nut-HJ
11	140-0469	1	Shaft-Splined	22	3250-48	2	Screw-PPH
12	133-7622	2	Cylinder-HYD	23	3256-25	2	Washer-Flat
13	140-0486	1	Arm-Lift, RH	24	32120-72	1	Ring-Snap
14	140-0488	1	Arm-Lift, LH	25	32151-36	4	Ring-Retaining

Hydraulic Cylinder Assembly No. 133-7622

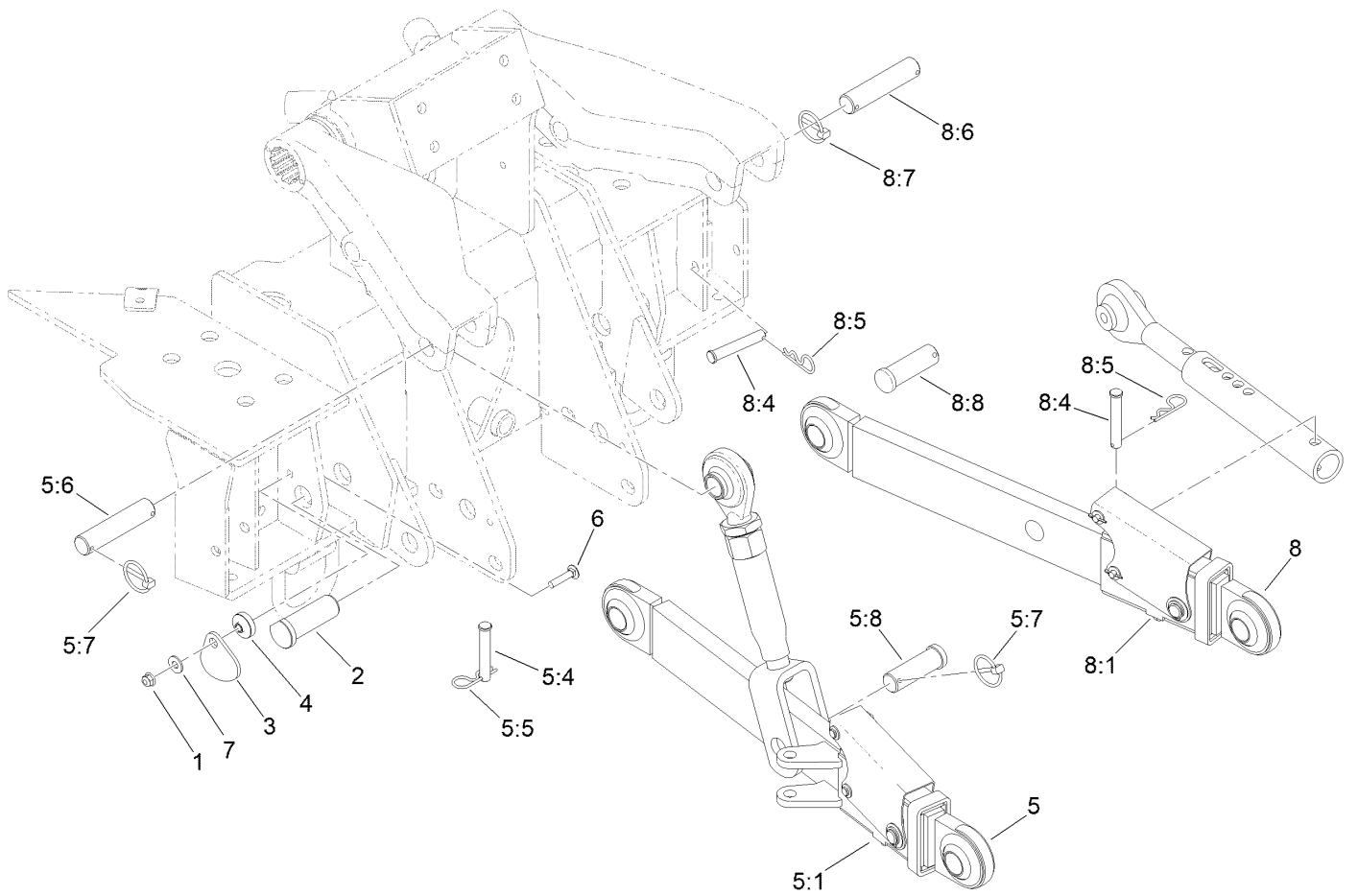


1 = Items Included in Seal Repair Kit

Hydraulic Cylinder Assembly No. 133-7622 (continued)

<i>Ref.</i>	<i>Part Number</i>	<i>Qty.</i>	<i>Description</i>
1	138-7821	1	Seal Repair Kit
2	302-5	1	Fitting-Grease

Lower Link Assembly

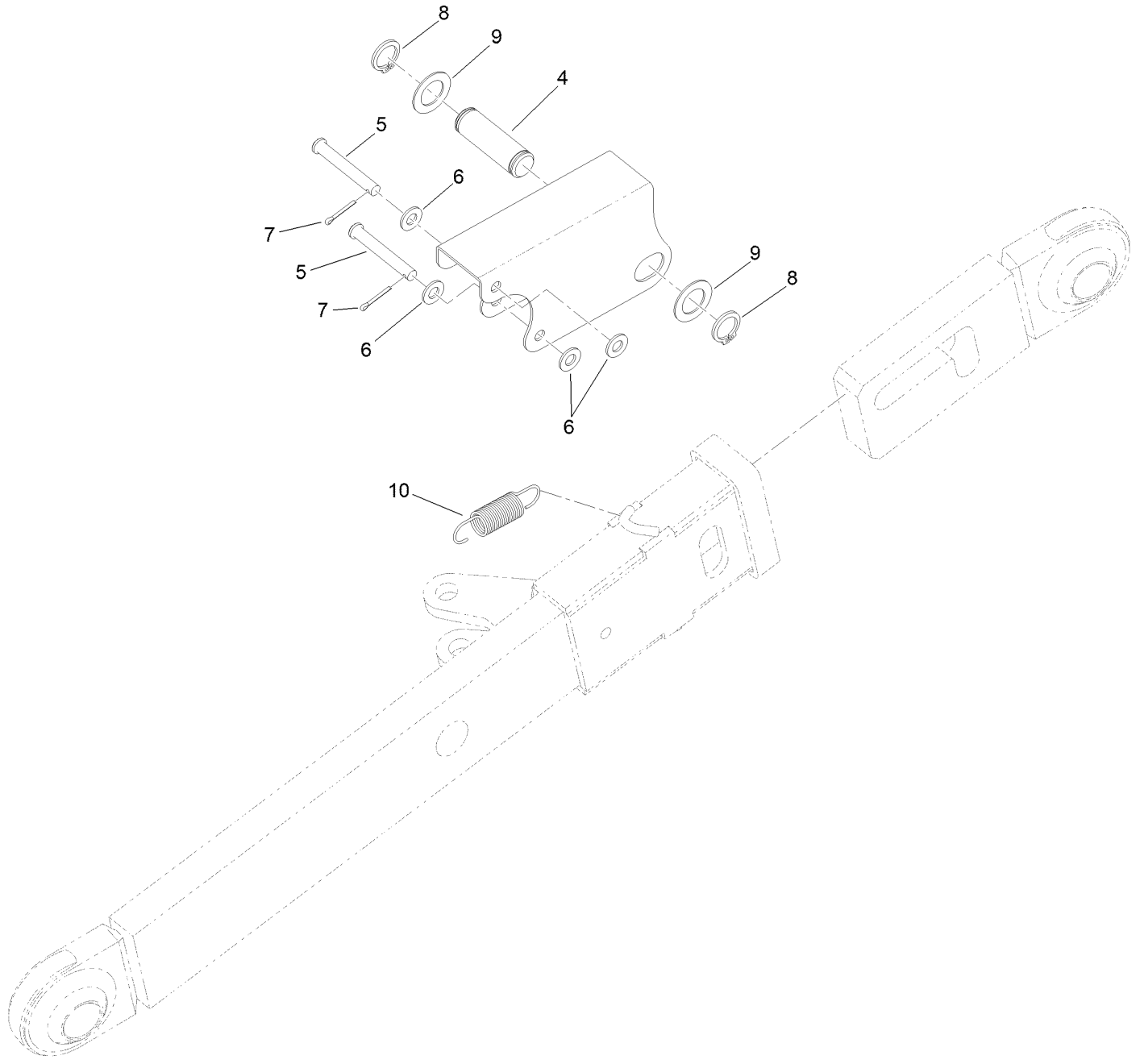


Lower Link Assembly (continued)

<i>Ref.</i>	<i>Part Number</i>	<i>Qty.</i>	<i>Description</i>	<i>Ref.</i>	<i>Part Number</i>	<i>Qty.</i>	<i>Description</i>
1	104-8300	2	Nut-HF, NI	5:8	131-5650	1	Pin-Clevis
2	133-7623	2	Pin-Lower	6	3230-4	2	Bolt-CARR
3	133-7624	2	Plate-Latch	7	3256-3	2	Washer-Flat
4	133-7629	2	Hub-Latch	8	140-0482	1	3Pt Extendable Arm Kit-RH
5	140-0481	1	3Pt Extendable Arm Kit-LH	8:1		1	Extendable Arm ASM, RH ●
5:1		1	Extendable Arm ASM, LH ●	8:4	283-55	3	Pin-Clevis
5:4	283-55	3	Pin-Clevis	8:5	92-2762	3	Pin-Hair
5:5	92-2762	3	Pin-Hair	8:6	131-5443	1	Pin-Cylinder
5:6	131-5443	1	Pin-Cylinder	8:7	92-1298	3	Pin-Lynch
5:7	92-1298	3	Pin-Lynch	8:8	131-5650	1	Pin-Clevis

● Not serviced separately

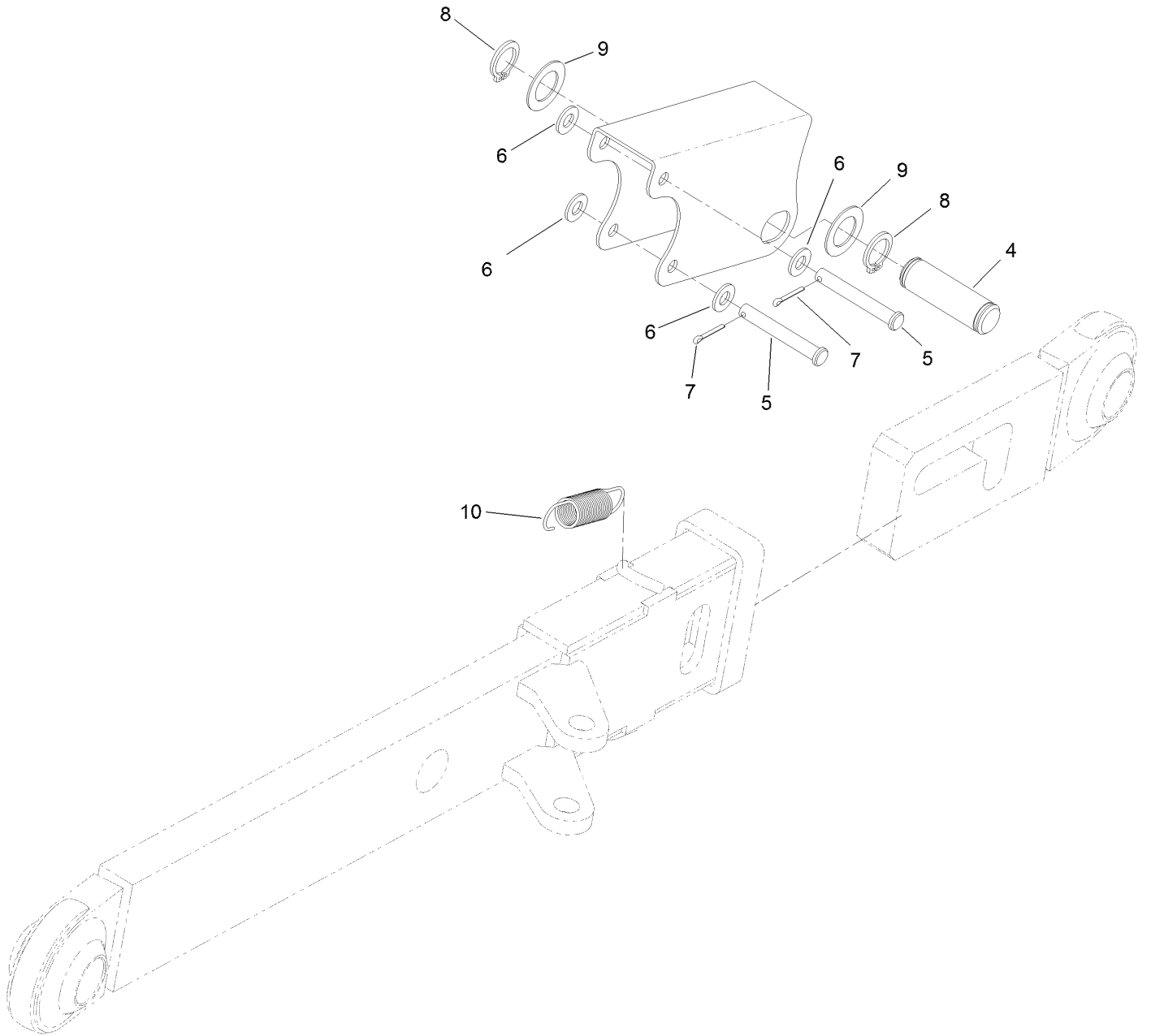
RH Extendable Arm Assembly



RH Extendable Arm Assembly (continued)

<i>Ref.</i>	<i>Part Number</i>	<i>Qty.</i>	<i>Description</i>	<i>Ref.</i>	<i>Part Number</i>	<i>Qty.</i>	<i>Description</i>
4	110-8189	1	Pin-Plain	8	32120-93	2	Ring-Retaining
5	110-0618	2	Pin-Clevis	9	1-413235	2	Washer, Spacer
6	3256-23	4	Washer-Plain	10	120-3888	1	Spring-Extension
7	3272-6	2	Pin-Cotter				

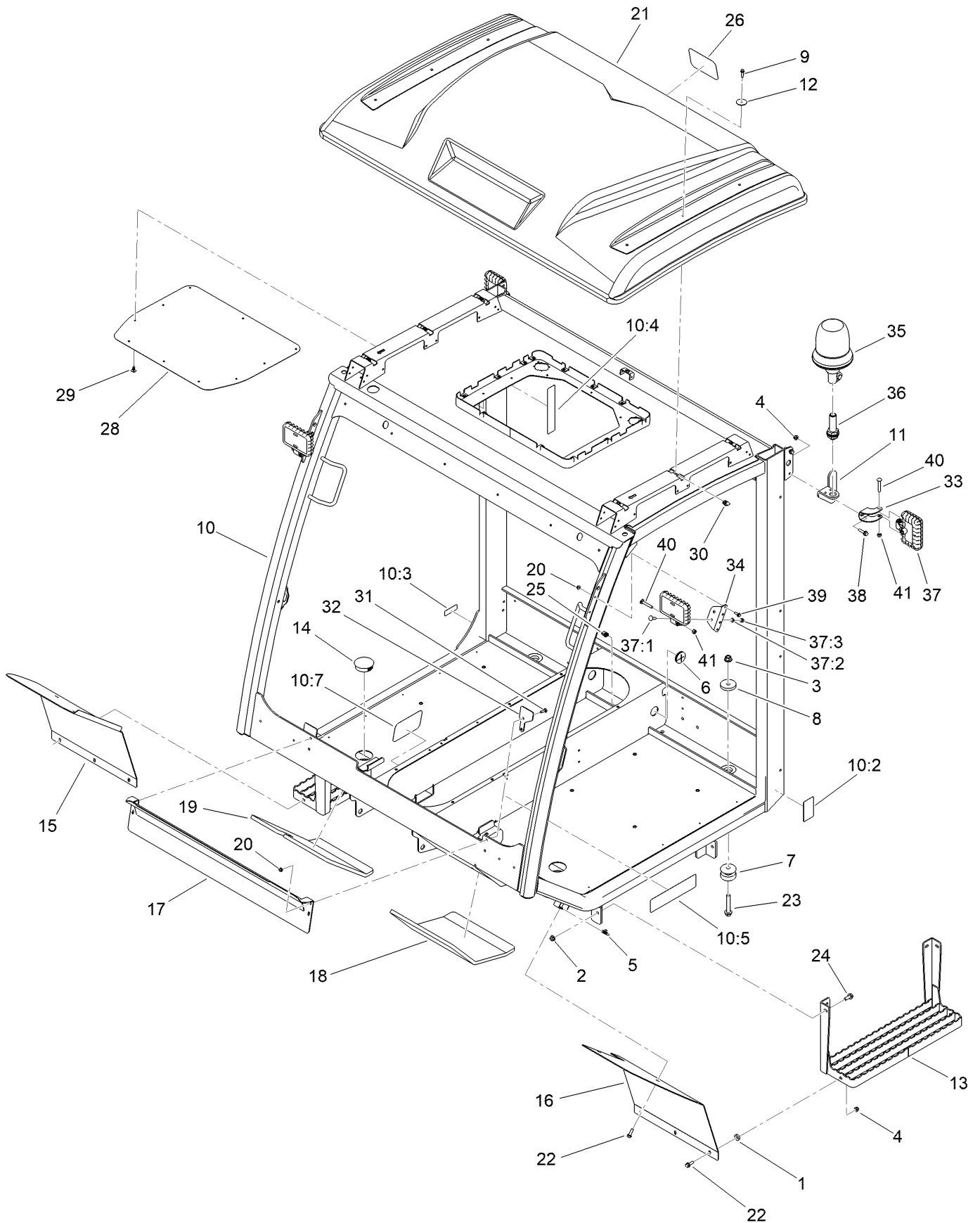
LH Extendable Arm Assembly



LH Extendable Arm Assembly (continued)

<i>Ref.</i>	<i>Part Number</i>	<i>Qty.</i>	<i>Description</i>	<i>Ref.</i>	<i>Part Number</i>	<i>Qty.</i>	<i>Description</i>
4	110-8189	1	Pin-Plain	8	32120-93	2	Ring-Retaining
5	110-0618	2	Pin-Clevis	9	1-413235	2	Washer, Spacer
6	3256-23	4	Washer-Plain	10	120-3888	1	Spring-Extension
7	3272-6	2	Pin-Cotter				

Operator Platform Assembly

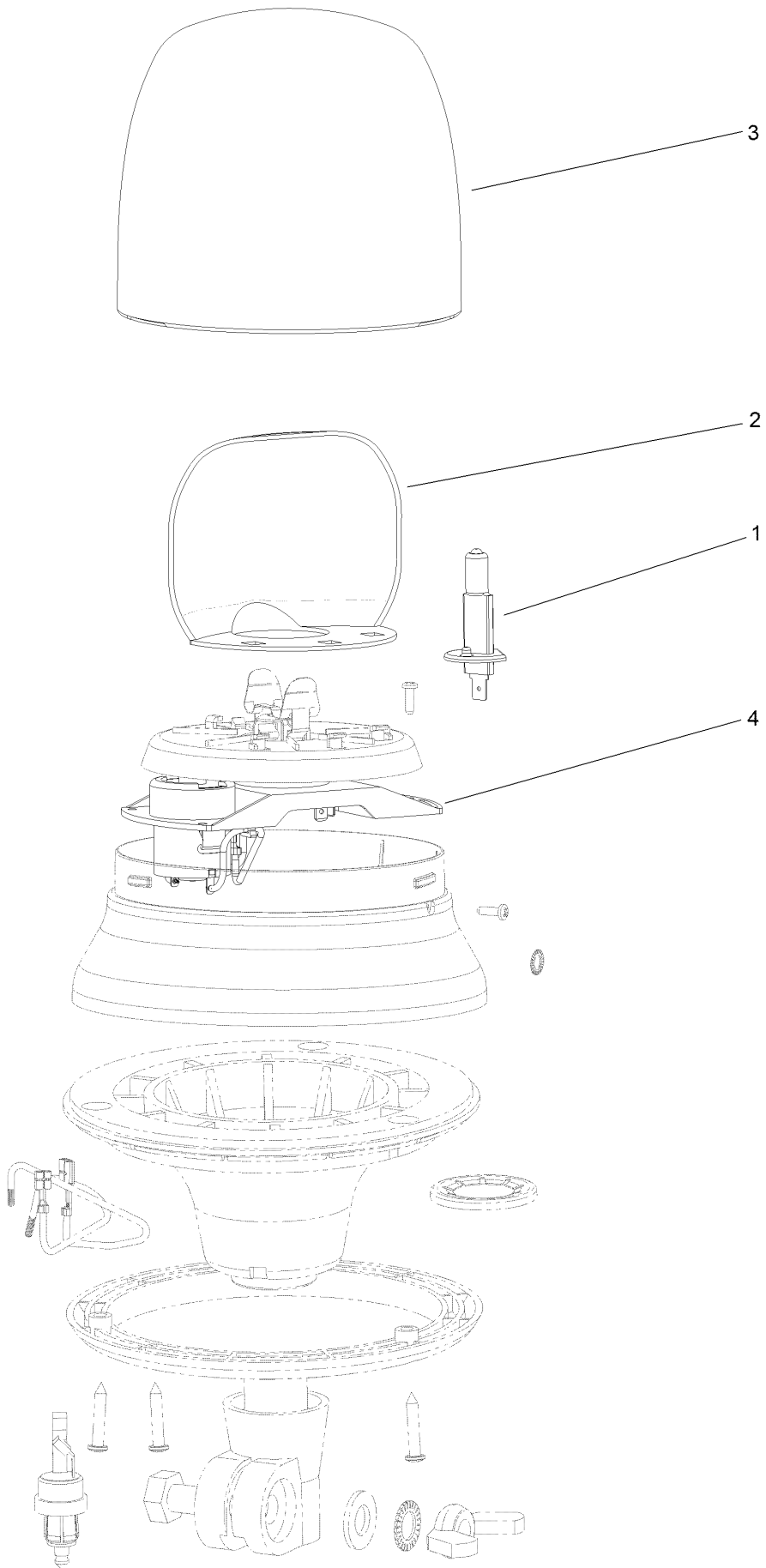


Operator Platform Assembly (continued)

<i>Ref.</i>	<i>Part Number</i>	<i>Qty.</i>	<i>Description</i>	<i>Ref.</i>	<i>Part Number</i>	<i>Qty.</i>	<i>Description</i>
1	5-0652	2	Spacer	20	104-7201	8	Nut-HF, NI
2	94-2413	4	Nut-U	21	138-2716	1	Roof-Short
3	99-5107	4	Nut-Lock	22	3234-17	6	Screw-HHF
4	104-8300	5	Nut-HF, NI	23	3234-40	4	Screw-HF
5	104-8301	8	Nut-HF, NI	24	3234-42	8	Screw-HHF
6	138-8134	2	Grommet-Web	25	107069	15	Clip
7	110-5954	4	Mount-Center, Bonded	26	108-8452	1	Decal-Logo
8	115-5519	4	Washer-Plain	28	138-8046-0P	1	Roof-Insert
9	120-4654	6	Screw-HHF	29	117-2382	10	Plug-Plastic
10		1	Platform ASM ●	30	107069	6	Clip
10:2	138-3796	1	Decal-Safety, Battery	31	3229-2	4	Screw-CARR
10:3	131-8410	1	Decal-Danger, Fuel	32	138-2949-0P	2	Plate-Retainer
10:4	138-3797	2	Decal-Safety, ROPS	33	139-2065-03	2	Mount-Light, Work
10:5	136-9873	1	Decal-Safety	34	139-1926-03	2	Bracket-Light, Work
10:7	138-4136	1	Decal-Parking Brake Release	35	119-8096	1	Beacon ASM
11	138-2982-03	1	Mount-Beacon	36	119-8095	1	Socket-Beacon
12	136-7176	6	Washer-Fender	37	122-0371	4	Light-Work, LED
13	136-9630-03	2	Step	37:1	3230-28	1	Screw-CARR
14	136-9791	2	Plug-Panel	37:2	3253-33	1	Washer-Lock
15	136-9996-03	1	Fender-Front, RH	37:3	3217-6	1	Nut-Hex
16	136-9997-03	1	Fender-Front, LH	38	119-4036	3	Screw-HHF
17	138-1861-0P	1	Bracket-Seal	39	115-5103	4	Screw-HHF
18	138-2015	1	Foam-LH	40	126-0699	4	Bolt-CARR
19	138-2016	1	Foam-RH	41	3296-29	4	Nut-Lock, NI

● Not serviced separately

Beacon Assembly No. 119-8096

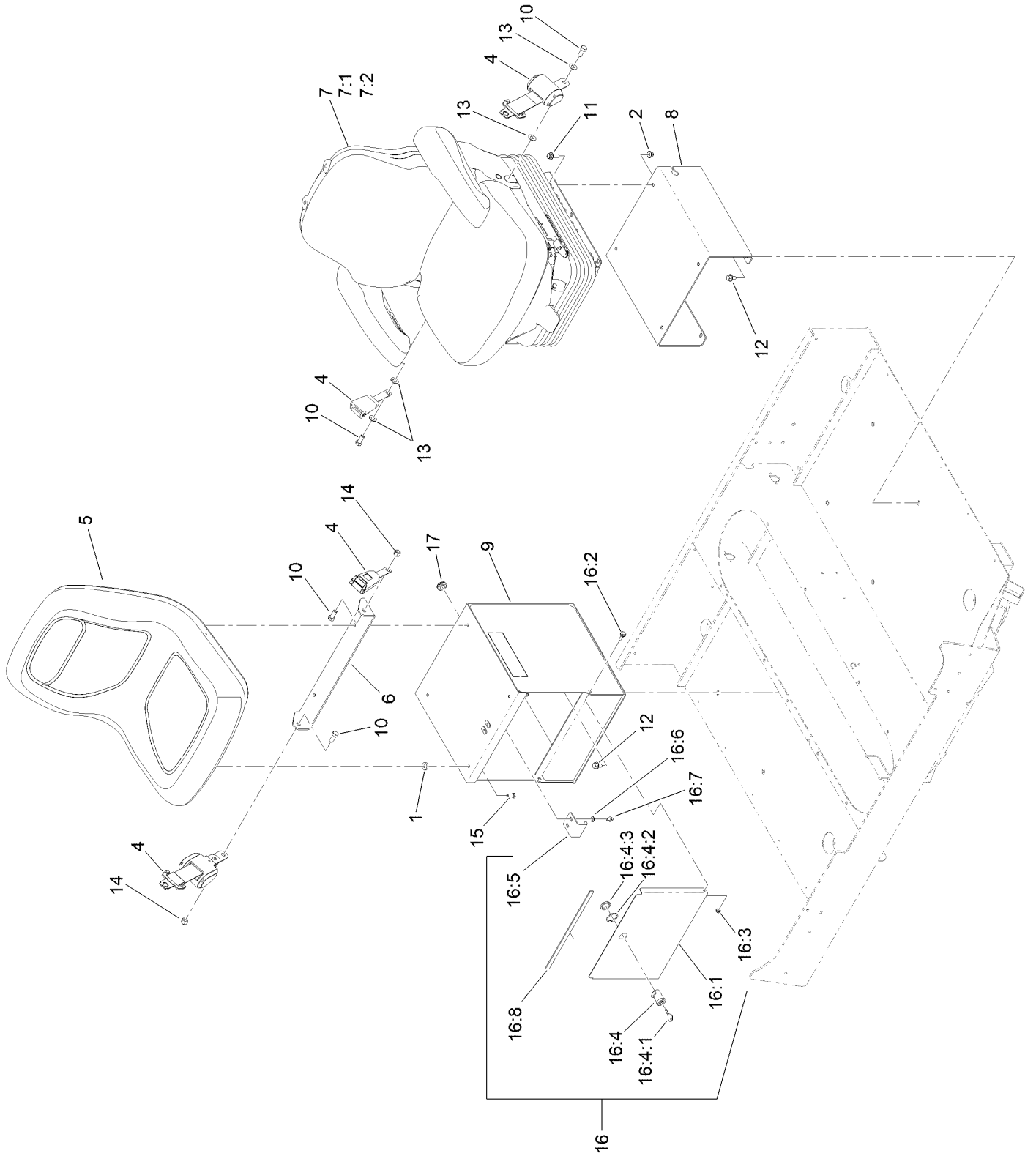


Beacon Assembly No. 119-8096 (continued)

<i>Ref.</i>	<i>Part Number</i>	<i>Qty.</i>	<i>Description</i>
1	120-7553	1	Bulb
2	120-7554	1	Reflector

<i>Ref.</i>	<i>Part Number</i>	<i>Qty.</i>	<i>Description</i>
3	120-7555	1	Cover-Dome, Amber
4	120-7556	1	Motor-Beacon

Seat Mount Assembly

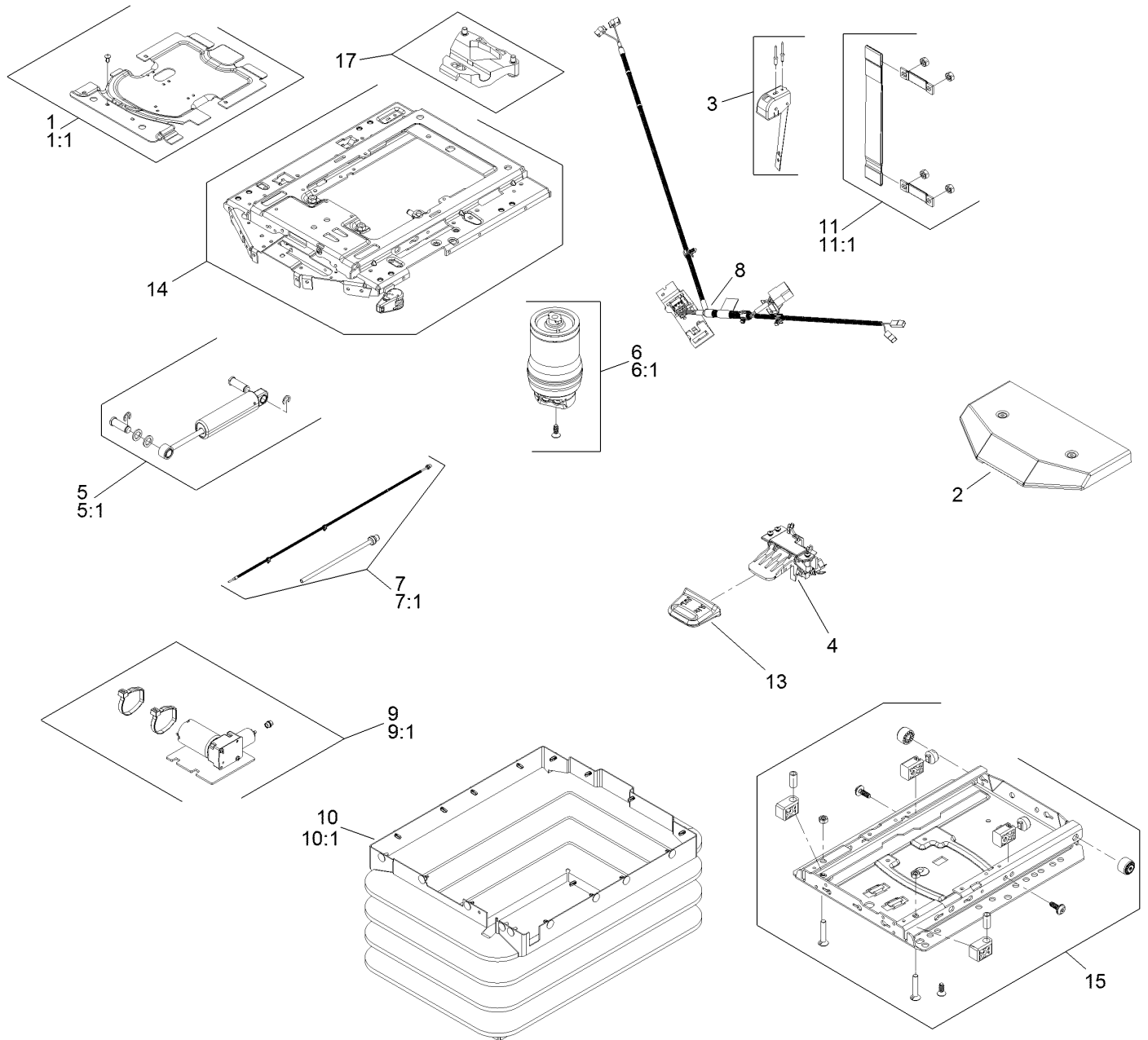


Seat Mount Assembly (continued)

<i>Ref.</i>	<i>Part Number</i>	<i>Qty.</i>	<i>Description</i>	<i>Ref.</i>	<i>Part Number</i>	<i>Qty.</i>	<i>Description</i>
1	104-7658	2	Spacer	15	33114-020	4	Screw-HH
2	104-8301	4	Nut-HF, NI	16	130-4831	1	Seat Storage Kit
4	110-0413	2	Seatbelt-Retractable	16:1	136-9990-03	1	Cover-Front
5	112-2923	1	Seat ASM	16:2	120-7024	2	Screw-Shoulder, HWH
6	119-0727-03	1	Bracket-Belt, Seat	16:3	104-7201	2	Nut-HF, NI
7	138-3805	1	Seat And Suspension ASM	16:4	98-9315	1	Latch-Locking
7:1	130-2702	1	Air Ride Seat Suspension	16:4:1	99-8350	2	Key-Latch, Locking
7:2	138-3806	1	Premium Seat ASM	16:4:2		1	Washer-Switch ●
8	136-9751-03	1	Base-Seat, Deluxe	16:4:3		1	Nut-Switch ●
9	138-2022-03	1	Base-Seat	16:5	136-9991	1	Plate-Latch
10	3212-4	4	Screw-HH	16:6	3256-22	2	Washer-Flat
11	3234-42	4	Screw-HHF	16:7	3234-13	2	Screw-HHF
12	3234-9	8	Screw-HHF	16:8	130-9174	1	Foam-Cooler, Short
13	3256-25	4	Washer-Flat	17	237-124	1	Grommet
14	3296-7	2	Nut-Lock				

● Not serviced separately

Air Ride Seat Suspension Assembly No. 130-2702

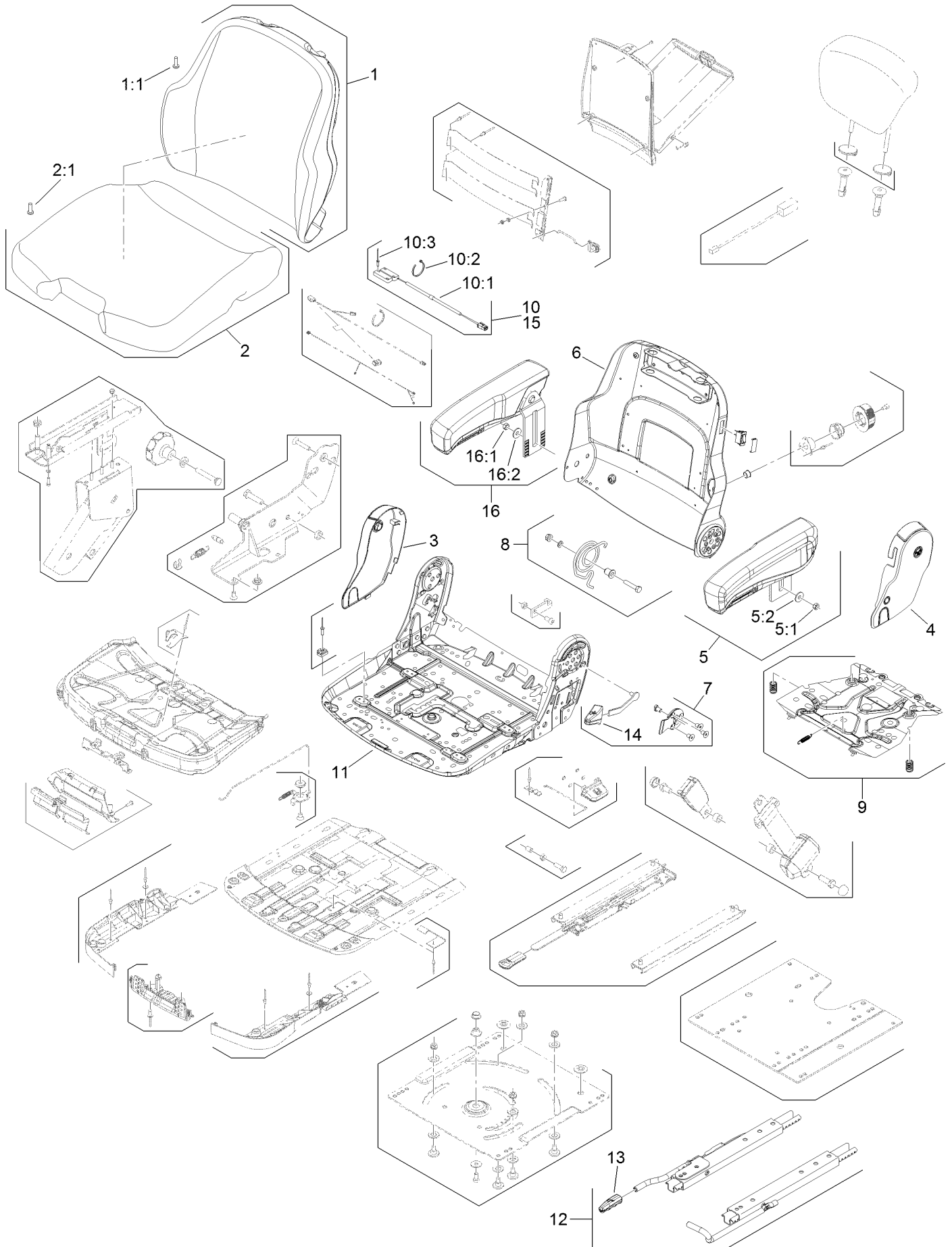


Air Ride Seat Suspension Assembly No. 130-2702 (continued)

<i>Ref.</i>	<i>Part Number</i>	<i>Qty.</i>	<i>Description</i>	<i>Ref.</i>	<i>Part Number</i>	<i>Qty.</i>	<i>Description</i>
1	130-2709	1	Cover ASM	9	130-2719	1	Compressor
1:1	130-2710	1	Cover Kit	9:1	130-2720	1	Compressor Kit
2	108-8027	1	Cover	10	130-2721	1	Bellows ASM
3	130-2711	1	Control-Level	10:1	130-2722	1	Bellows Kit
4	108-8029	1	Valve-Control, Air	11	130-2723	1	Tether
5	130-2712	1	Shock Absorber ASM	11:1	130-2724	1	Tether Kit
5:1	130-2713	1	Shock Absorber Kit	12	130-2725	1	Wear Parts Kit ●
6	130-2714	1	Air Spring ASM	13	130-2726	1	Handle
6:1	130-2715	1	Air Spring Kit	14	130-2727	1	Upper Suspension Kit
7	130-2716	1	Air Tube ASM	15	130-2728	1	Lower Suspension Kit
7:1	130-2717	1	Air Tube Kit	16	130-2729	1	Adjuster Mounting Kit ●
8	130-2718	1	Harness-Wire	17	130-2730	1	Limiters-Thrust

● Not illustrated

Premium Seat Assembly No. 138-3806

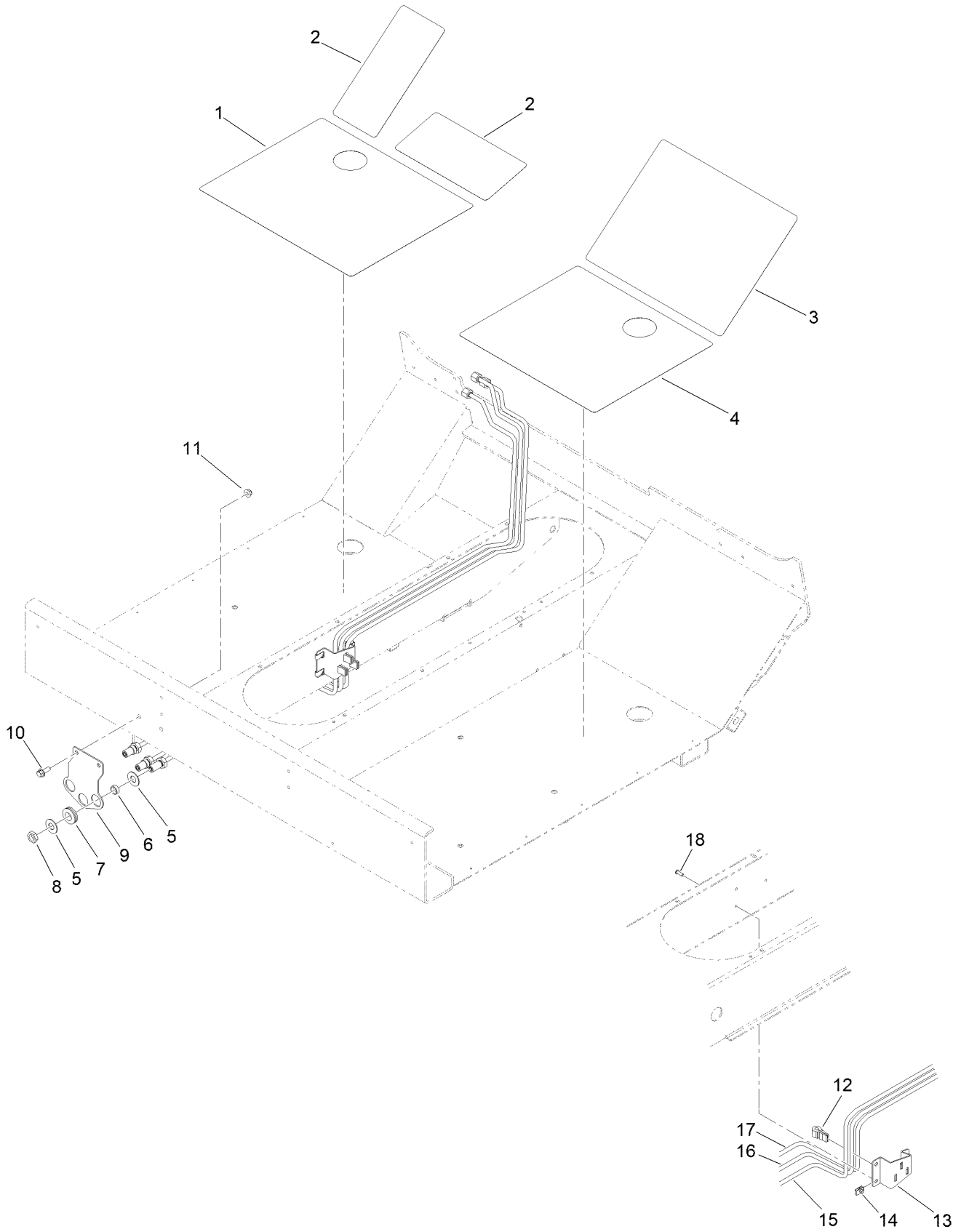


Premium Seat Assembly No. 138-3806 (continued)

<i>Ref.</i>	<i>Part Number</i>	<i>Qty.</i>	<i>Description</i>	<i>Ref.</i>	<i>Part Number</i>	<i>Qty.</i>	<i>Description</i>
1	117-9415	1	Backrest Cushion ASM Matrix Cloth	8	140-0471	1	Backrest Bearing
1	108-8016	1	Backrest Cushion ASM Vinyl	9	140-0472	1	Compensator
1:1	119-7742	4	Screw-Cushion	10	110-6189	1	Switch Kit
2	108-8017	1	Seat Cushion ASM Vinyl	10:1		1	Switch ●
2	117-9416	1	Seat Cushion ASM Matrix Cloth	10:2		3	Wire Tie ●
				10:3		2	Rivet ●
2:1	119-7742	3	Screw-Cushion	11	140-0473	1	Seat Pan Kit
3	108-8018	1	Cover-Armrest	12	108-8025	1	Adjustment Rail Set
4	108-8021	1	Cover-Armrest	13	140-0475	1	Handle
5	108-8019	1	LH Armrest ASM	14	140-0476	1	Handle Grip-Back Angle
5:1	82-9650	1	Nut	15	140-0477	1	Small Parts-Seat Switch
5:2	107-1198	1	Washer	16	108-8020	1	RH Armrest ASM
6	140-0470	1	Backrest Kit	16:1	82-9650	1	Nut
7	132-1304	1	Backrest Adjustment Kit	16:2	107-1198	1	Washer

● Not serviced separately

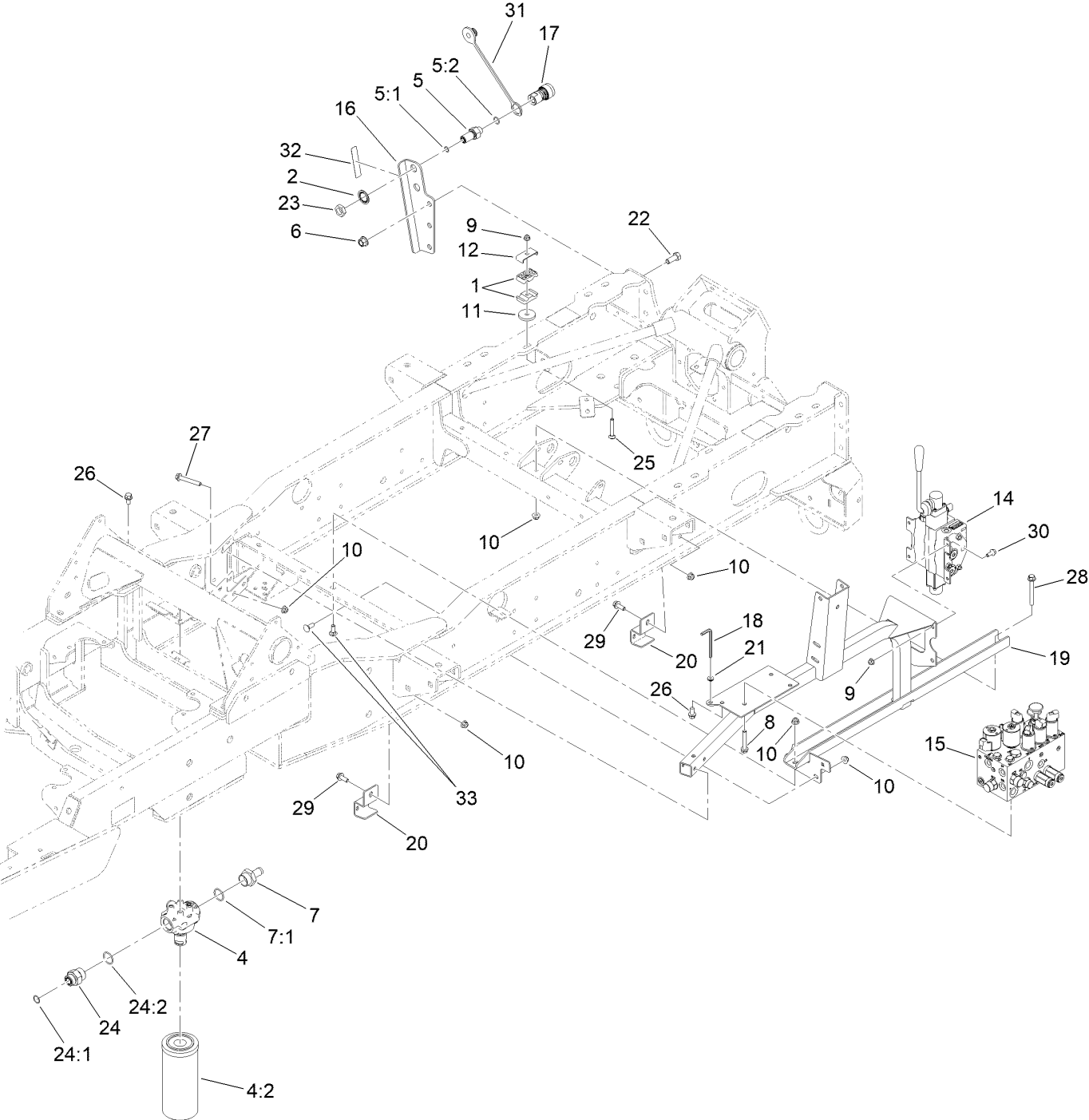
Floor Grips and Hydraulic Tube Assembly



Floor Grips and Hydraulic Tube Assembly (continued)

<i>Ref.</i>	<i>Part Number</i>	<i>Qty.</i>	<i>Description</i>	<i>Ref.</i>	<i>Part Number</i>	<i>Qty.</i>	<i>Description</i>
1	136-9950	1	Tread-Foot, Abrasive (LH)	10	3234-42	2	Screw-HHF
2	136-9952	2	Tread-Foot, Abrasive Upper	11	104-8301	2	Nut-HF, NI
3	138-4169	1	Tread-Foot, Abrasive Front	12	136-9782	3	Isolator-Tube
4	138-4168	1	Tread-Foot, Abrasive RH	13	138-8129-0P	1	Bracket-Isolator
5	69-8940	6	Washer	14	107069	3	Clip
6	69-8970	3	Spacer	15	136-9712	1	Tube ASM
7	240-4	3	Grommet-Rubber	16	136-9711	1	Tube ASM
8	340-70	3	Nut-Lock	17	136-9710	1	Tube ASM
9	137-1264-0P	1	Support-Bulkhead	18	3274-69	3	Screw-HSBH

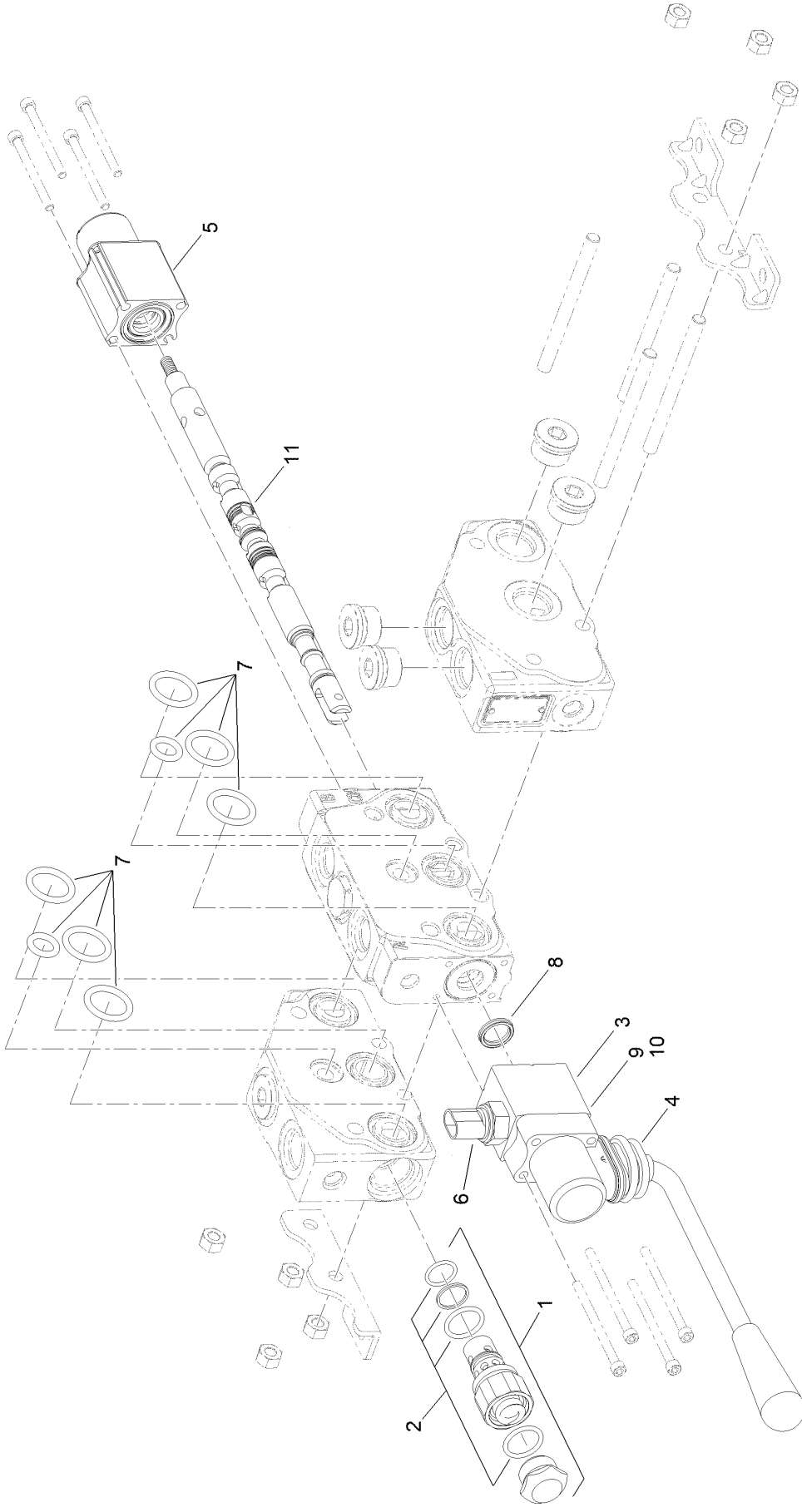
Manifold, Filter and Auxiliary Valve Assembly



Manifold, Filter and Auxiliary Valve Assembly (continued)

<i>Ref.</i>	<i>Part Number</i>	<i>Qty.</i>	<i>Description</i>	<i>Ref.</i>	<i>Part Number</i>	<i>Qty.</i>	<i>Description</i>
1	56-7976	2	Clamp-Tube	18	136-5288	1	Wrench-Hexagon
2	515-0040	2	Washer-Lock, Int	19	136-5340-0P	1	Support-Manifold
4	139-1010	1	Filter Head ASM	20	136-9718-0P	2	Support-Hose
4:2	94-2621	1	Element-Filter	21	136-9976	1	Grommet
5	98-9907	2	Union-Bulkhead	22	325-5	2	Screw-HH
5:1	237-30	1	O-Ring	23	340-127	2	Nut-Bulkhead
5:2	237-79	1	O-Ring	24	340-91	1	Fitting-STR
6	99-5107	2	Nut-Lock	24:1	237-58	1	O-Ring
7	99-6932	1	Fitting-STR	24:2	237-146	1	O-Ring
7:1	237-117	1	O-Ring	25	3230-7	1	Bolt-CARR
8	100-2592	1	Screw-HHF	26	3234-1	7	Screw-HHF
9	104-8300	5	Nut-HF, NI	27	3234-39	2	Screw-HHF
10	104-8301	8	Nut-HF, NI	28	3234-41	1	Screw-HHF
11	110-9981	1	Washer-Plain	29	3234-42	2	Screw-HHF
12	119-1419	1	Plate-Clamp	30	3234-47	4	Screw-HHF
14	131-5637	1	Valve-Aux	31	T56152150	2	Plug-Quick Connect
15	131-5639	1	Manifold ASM	32	138-4135	1	Decal-HYD, Remote
16	131-5668-03	1	Plate-Bulkhead, Rear	33	3231-2	3	Bolt-CARR
17	133-7827	2	Coupler-Quick Connect				

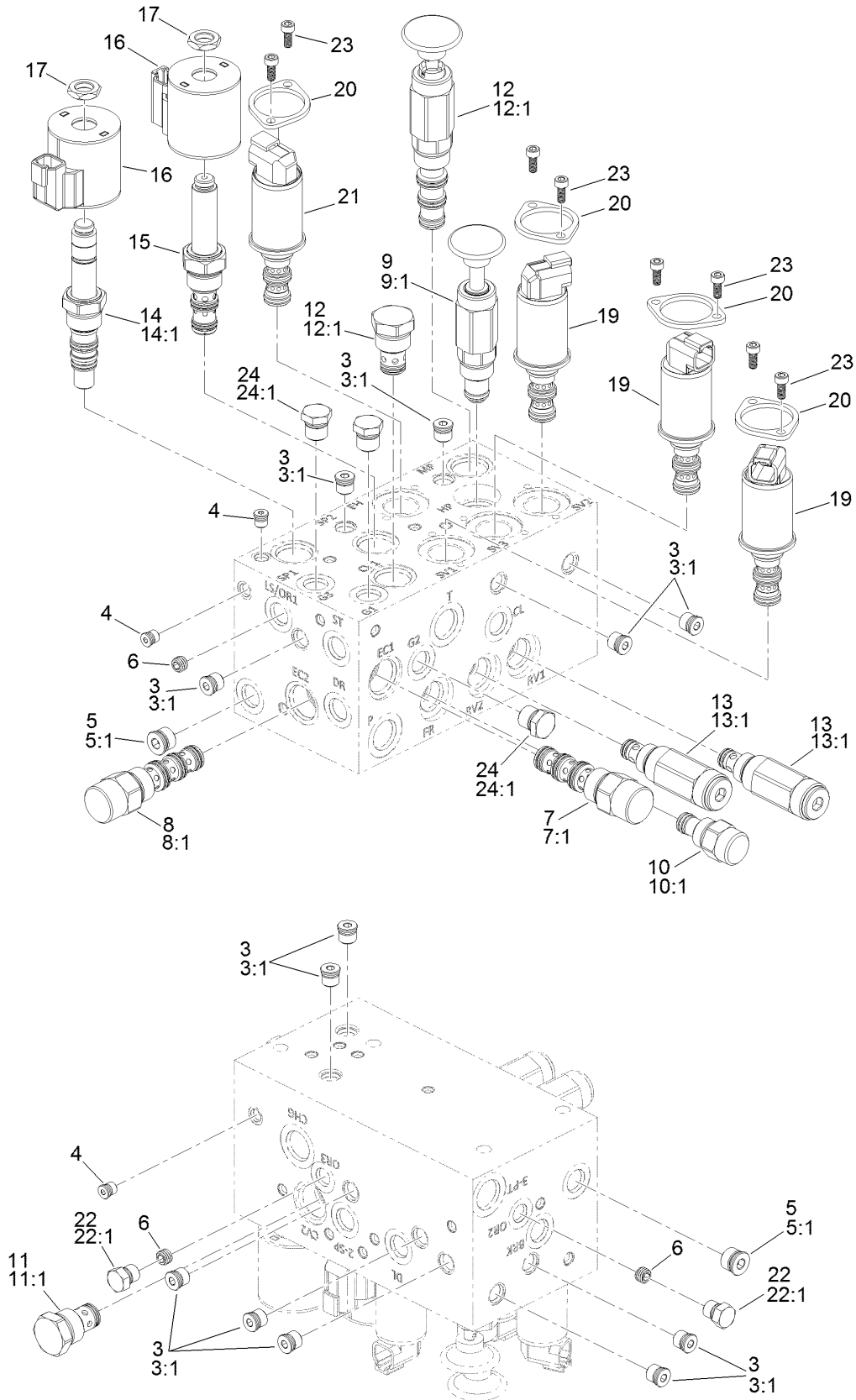
Hydraulic Valve Assembly No. 131-5637



Hydraulic Valve Assembly No. 131-5637 (continued)

<i>Ref.</i>	<i>Part Number</i>	<i>Qty.</i>	<i>Description</i>	<i>Ref.</i>	<i>Part Number</i>	<i>Qty.</i>	<i>Description</i>
1	138-7870	1	Rcm Relief ASM	6	138-7875	1	Switch-Interlock
2	138-7871	1	Seal Kit	7	138-7877	1	Section Seal Kit
3	138-7872	1	Handle-Horizontal, Enclosed	8	130-8354	1	O-Ring
4	131-6753	1	Boot-Dust	9	140-0500	1	Block-Switch Mount
5	138-7874	1	Positioner-Spool, Float	10	140-0501	1	Ring-Pilot
				11	140-0502	1	Spool-Switch

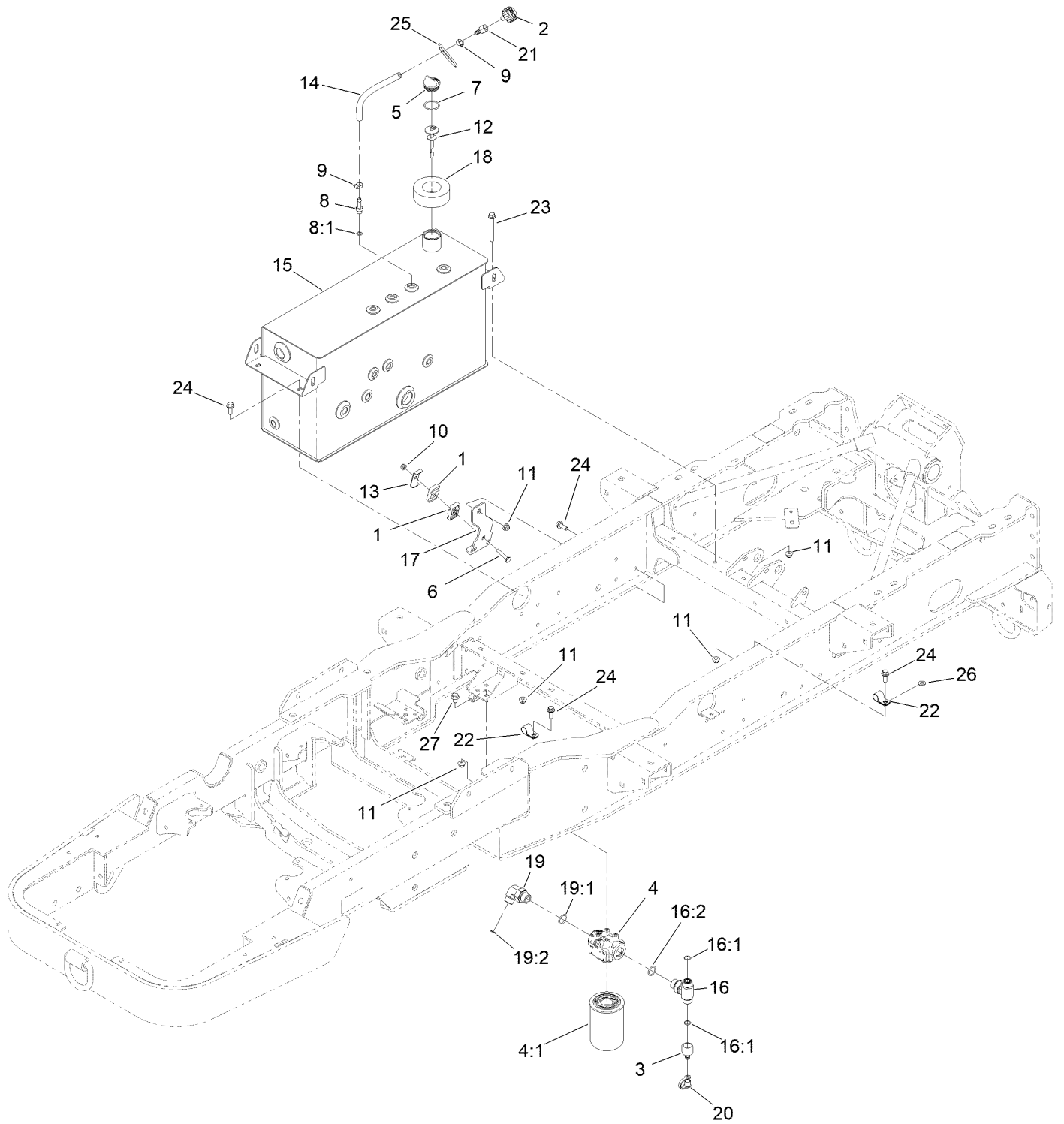
Manifold Assembly No. 131-5639



Manifold Assembly No. 131-5639 (continued)

<i>Ref.</i>	<i>Part Number</i>	<i>Qty.</i>	<i>Description</i>	<i>Ref.</i>	<i>Part Number</i>	<i>Qty.</i>	<i>Description</i>
3	353-990	12	Plug ASM	12:1	105-9159	1	Seal Kit
3:1	237-78	1	O-Ring	13	138-3821	2	Valve-Relief
4	131-1825	3	Plug-ORB	13:1	111-6826	1	Seal Kit
5	112-9213	2	Plug	14	138-3822	1	Valve-Poppet, Prop
5:1	237-42	1	O-Ring	14:1	107-7813	1	Seal Kit
6	136-4363	3	Orifice-0.028	15	138-3823	1	Valve-Flow Control, Prop
7	115-5409	1	Compensator ASM	16	119-4619	2	Coil-Solenoid
7:1	110-8908	1	Spool Valve Seal Kit	17	110-2634	2	Nut-Coil
8	117-8314	1	Compensator-Pressure	19	138-3824	3	Valve-Solenoid
8:1	110-8908	1	Spool Valve Seal Kit	20	138-3825	4	Plate-Mounting, Standard
9	132-4904	1	Pump-Hand	21	138-3826	1	Valve-Press
9:1	105-9159	1	Seal Kit				Reducing/Relieving, Prop
10	138-3820	1	Regulator-Flow, Press Comp	22	117-0115	2	Plug
10:1	138-4955	1	Seal Kit	22:1	237-78	1	O-Ring
11	110-8881	2	Valve-Check	23	138-3827	8	Screw
11:1	105-9159	1	Seal Kit	24	353-508	3	Plug-HH
12	132-4903	1	Valve-2 Way, Manual	24:1	237-42	1	O-Ring

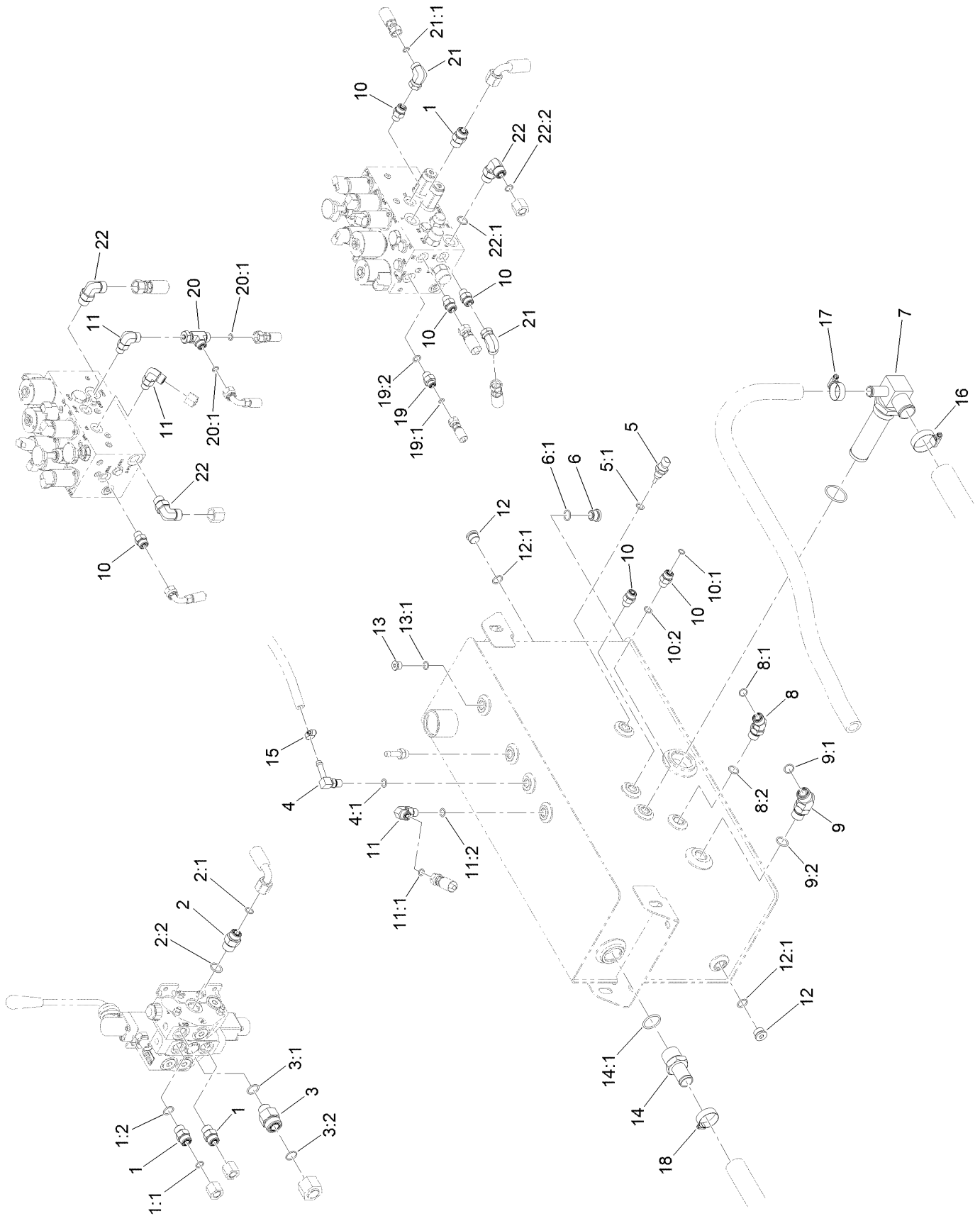
Hydraulic Tank Assembly



Hydraulic Tank Assembly (continued)

<i>Ref.</i>	<i>Part Number</i>	<i>Qty.</i>	<i>Description</i>	<i>Ref.</i>	<i>Part Number</i>	<i>Qty.</i>	<i>Description</i>
1	56-7972	4	Clamp-Tube	16	136-9719	1	Fitting-HYD, Tee
2	68-6150	1	Breather	16:1	237-65	2	O-Ring
3	86-5860	1	Nipple	16:2	237-81	1	O-Ring
4	93-2242	1	Oil Filter ASM	17	136-9744-0P	2	Support-Hardline
4:1	75-1310	1	Filter-HYD	18	136-9788	1	Seal-Ring
5	93-7498	1	Plug-Plastic	19	340-139	1	Fitting-Elbow 90
6	3230-5	2	Bolt-CARR	19:1	237-81	1	O-Ring
7	94-8166	1	O-Ring	19:2	237-65	1	O-Ring
8	103-1912	1	Adapter-Straight	20	354-79	1	Cap-Dust
8:1	237-42	1	O-Ring	21	354-94	1	Fitting-Female, Barbed
9	2412-108	2	Clamp-Worm	22	2412-81	2	Clamp-R
10	104-8300	2	Nut-HF, NI	23	3234-41	2	Screw-HHF
11	104-8301	8	Nut-HF, NI	24	3234-42	6	Screw-HHF
12	112-6365	1	Dipstick	25	3290-379	1	Tie-Cable
13	119-1419	2	Plate-Clamp	26	3256-24	2	Washer-Flat
14	138-4159	1	Hose-Fuel	27	33105-016	4	Screw-HHF
15	133-7632	1	Tank-Hydraulic				

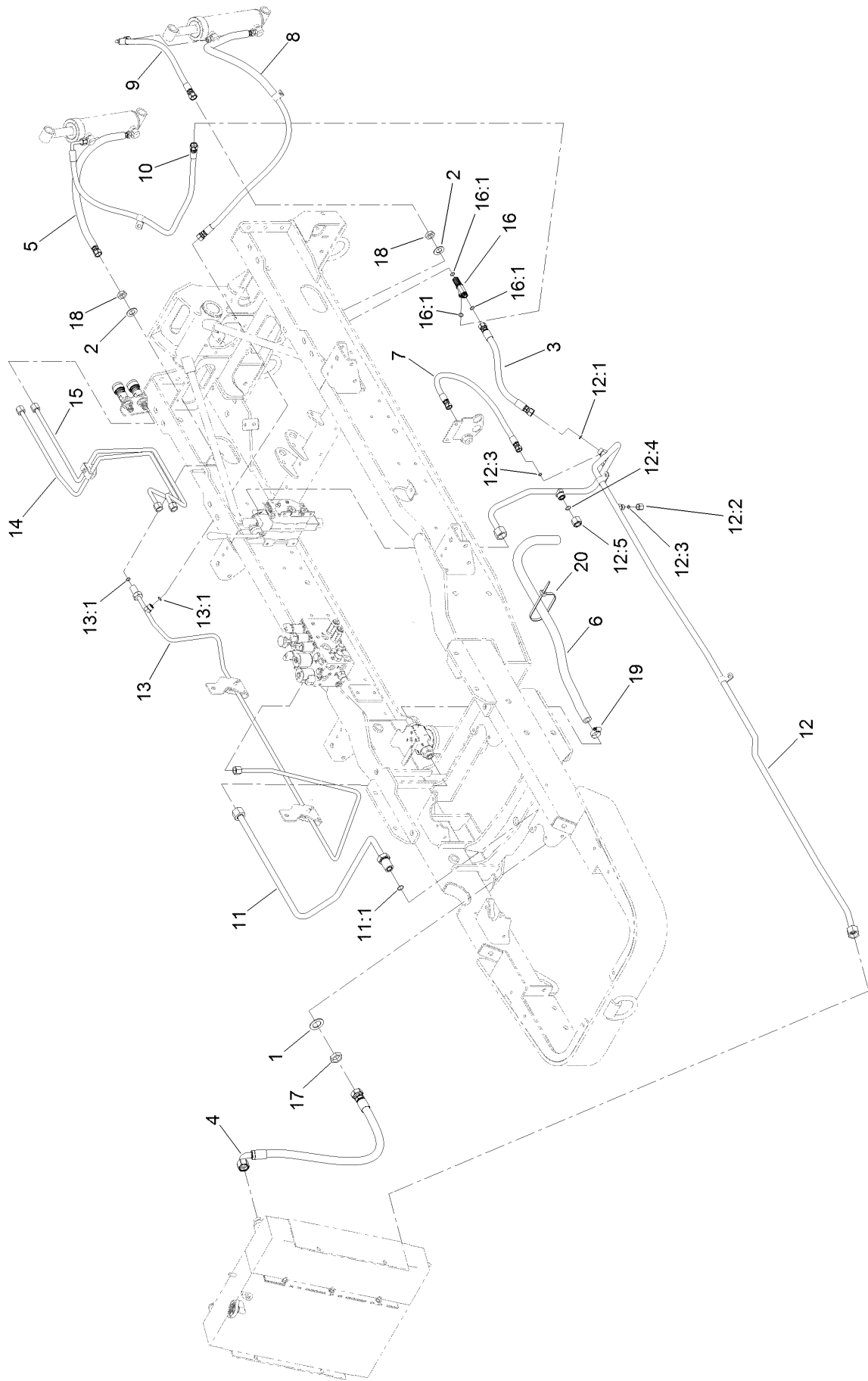
Hydraulic Tank, Manifold, and Auxiliary Valve Fitting Assembly



Hydraulic Tank, Manifold, and Auxiliary Valve Fitting Assembly (continued)

<i>Ref.</i>	<i>Part Number</i>	<i>Qty.</i>	<i>Description</i>	<i>Ref.</i>	<i>Part Number</i>	<i>Qty.</i>	<i>Description</i>
1	340-4	3	Fitting-Straight	10:2	237-42	1	O-Ring
1:1	237-30	1	O-Ring	11	340-77	3	Fitting-Elbow, 90 DEG
1:2	237-79	1	O-Ring	11:1	237-22	1	O-Ring
2	340-6	1	Fitting-Straight	11:2	237-42	1	O-Ring
2:1	237-30	1	O-Ring	12	353-988	2	Plug-Hex
2:2	237-80	1	O-Ring	12:1	237-79	1	O-Ring
3	340-66	1	Fitting-Straight	13	353-989	1	Plug-Hex, Hollow
3:1	237-80	1	O-Ring	13:1	237-42	1	O-Ring
3:2	237-58	1	O-Ring	14	354-78	1	Fitting-STR
4	100-4887	1	Fitting-Elbow, 90	14:1	237-146	1	O-Ring
4:1	237-42	1	O-Ring	15	2412-108	1	Clamp-Worm
5	110-8829	1	Sender-Temperature	16	2412-111	1	Clamp-Hose, W/Liner
5:1	237-42	1	O-Ring	17	2412-129	1	Clamp-Hose
6	133-7659	1	Plug ASM	18	2412-34	1	Clamp-Hose
6:1	237-79	1	O-Ring	19	340-1	1	Fitting-Straight
7	136-5109	1	Strainer Fitting ASM	19:1	237-21	1	O-Ring
8	340-101	1	Fitting-HYD, 45 DEG	19:2	237-42	1	O-Ring
8:1	237-30	1	O-Ring	20	340-115	1	Fitting-Tee
8:2	237-79	1	O-Ring	20:1	237-22	2	O-Ring
9	340-14	1	Fitting-HYD, 45 DEG	21	340-159	2	Elbow-90
9:1	237-65	1	O-Ring	21:1	237-22	2	O-Ring
9:2	237-80	1	O-Ring	22	340-98	3	Fitting-Elbow, 90 DEG
10	340-2	6	Fitting-Straight	22:1	237-79	1	O-Ring
10:1	237-22	1	O-Ring	22:2	237-30	1	O-Ring

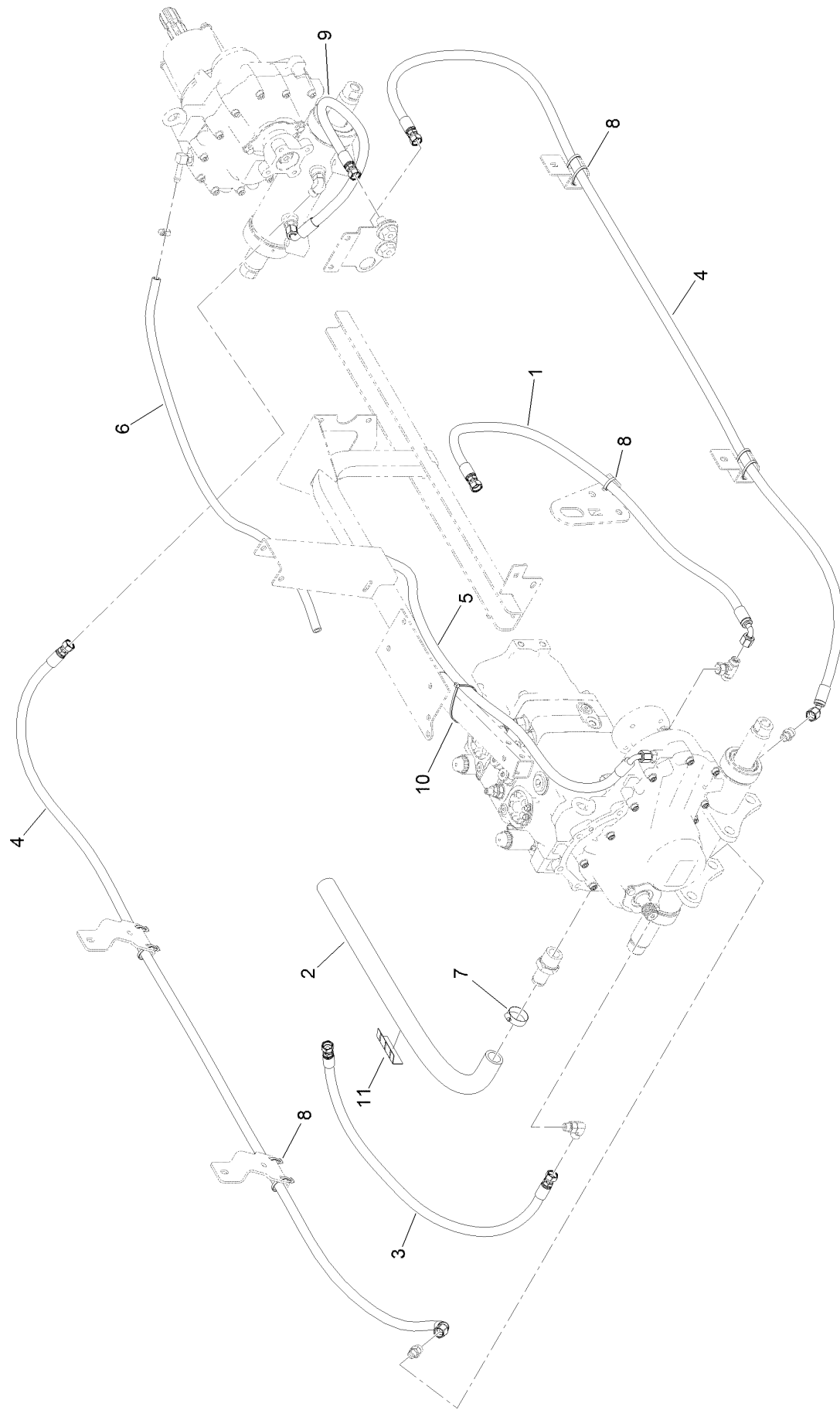
Hydraulic Hose and Tube Assembly



Hydraulic Hose and Tube Assembly (continued)

<i>Ref.</i>	<i>Part Number</i>	<i>Qty.</i>	<i>Description</i>	<i>Ref.</i>	<i>Part Number</i>	<i>Qty.</i>	<i>Description</i>
1	69-8910	1	Washer	12:2	340-117	1	Cap
2	69-8930	2	Washer	12:3	237-22	2	O-Ring
3	114-5501	1	Hose-Hydraulic	12:4	237-65	1	O-Ring
4	115-4384	1	Hose-HYD	12:5	340-150	1	Cap
5	131-2041	1	Hose ASM	13	133-2287	1	Tube ASM-HYD
6	133-2252	1	Hose	13:1	237-30	2	O-Ring
7	132-8941	1	Hose-Hydraulic	14	133-2289	1	Tube ASM-HYD
8	133-2272	1	Hose ASM	15	133-2290	1	Tube ASM-HYD
9	133-2273	1	Hose ASM	16	340-121	1	Fitting-Tee
10	133-2275	1	Hose ASM	16:1	237-30	3	O-Ring
11	133-2282	1	Tube-HYD	17	340-126	1	Nut-Bulkhead
11:1	237-58	1	O-Ring	18	340-127	2	Nut-Bulkhead
12	133-2283	1	Tube ASM-HYD	19	2412-129	1	Clamp-Hose
12:1	237-30	1	O-Ring	20	3290-379	2	Tie-Cable

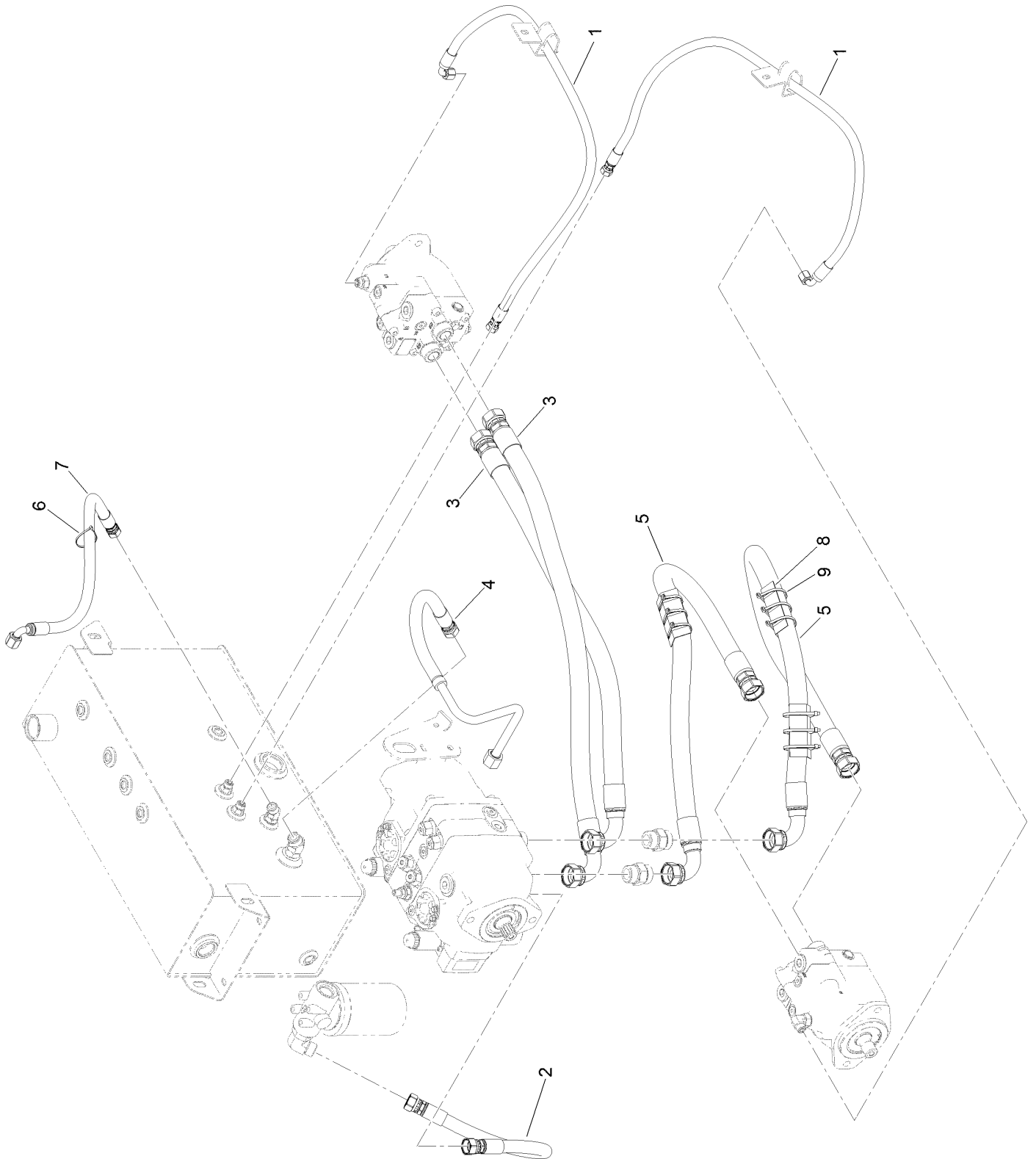
Hydraulic Hose Assembly 1



Hydraulic Hose Assembly 1 (continued)

<i>Ref.</i>	<i>Part Number</i>	<i>Qty.</i>	<i>Description</i>	<i>Ref.</i>	<i>Part Number</i>	<i>Qty.</i>	<i>Description</i>
1	93-5385	1	Hose ASM	7	2412-34	1	Clamp-Hose
2	132-6480	1	Hose	8	3290-378	9	Tie-Cable
3	133-2260	1	Hose ASM	9	92-5687	1	Hose ASM
4	136-9700	2	Hose ASM	10	3290-379	1	Tie-Cable
5	136-9705	1	Hose ASM	11	AU112950	1	Protector-Hose
6	136-9706	1	Hose				

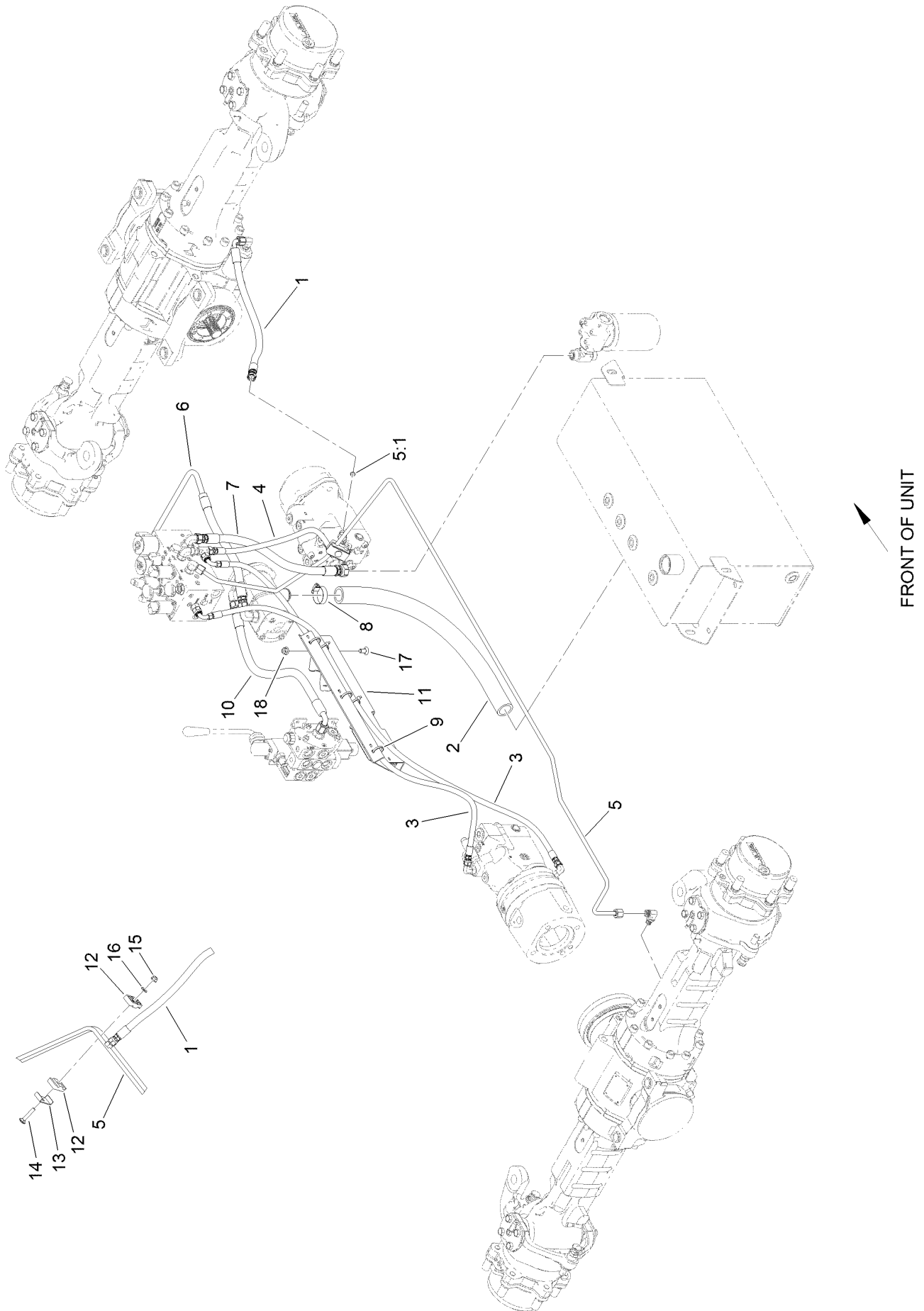
Hydraulic Hose Assembly 2



Hydraulic Hose Assembly 2 (continued)

<i>Ref.</i>	<i>Part Number</i>	<i>Qty.</i>	<i>Description</i>	<i>Ref.</i>	<i>Part Number</i>	<i>Qty.</i>	<i>Description</i>
1	100-3919	2	HYD Hose ASM	6	121-1559	1	Hose-HYD
2	120-3538	1	Hose-HYD	7	3290-378	1	Tie-Cable
3	147-3173	2	Hose ASM	8	AU112950	6	Protector-Hose
4	133-2297	1	Tube ASM	9	3290-379	18	Tie-Cable
5	132-6470	2	Hose ASM				

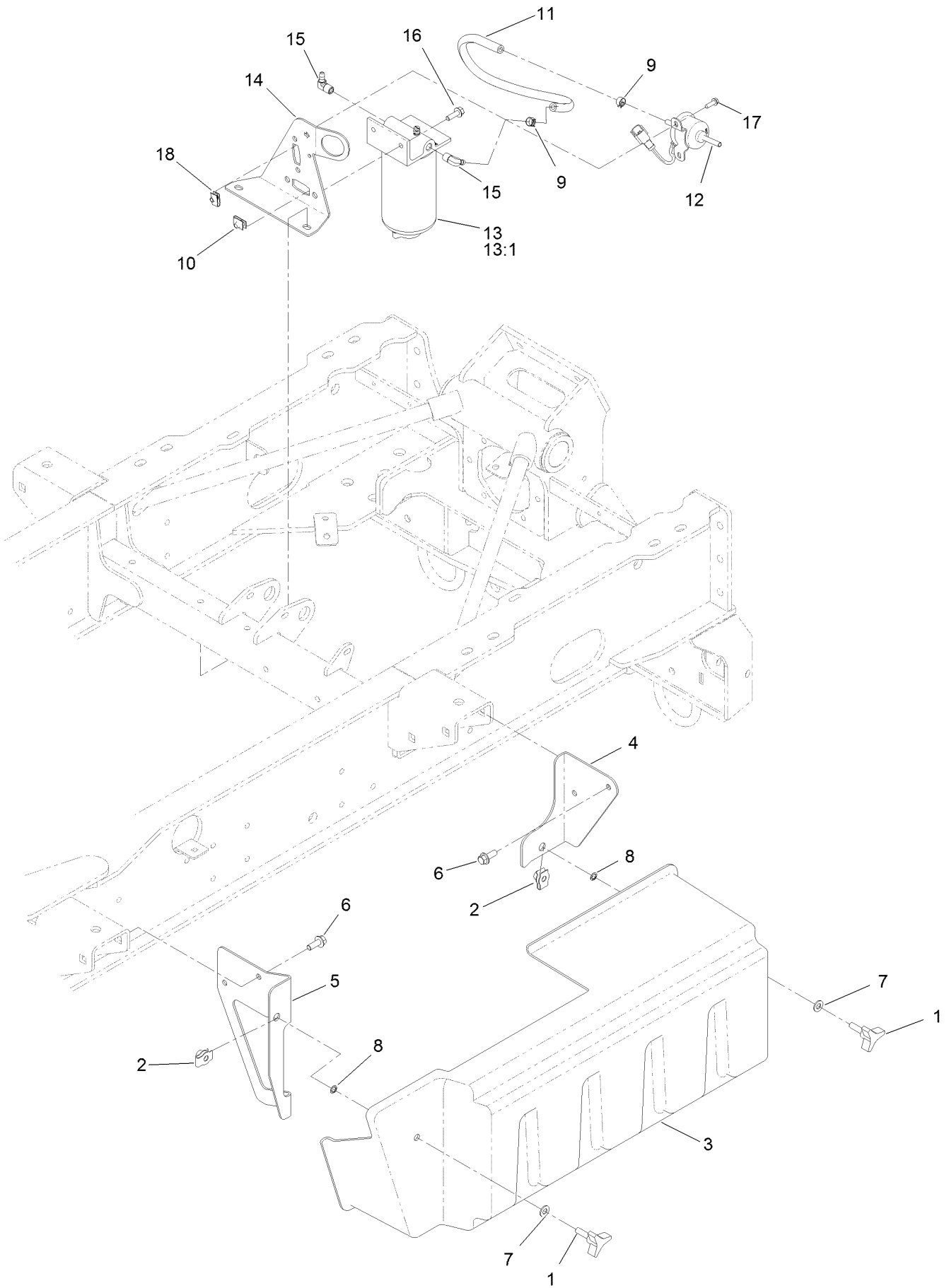
Hydraulic Hose Assembly 3



Hydraulic Hose Assembly 3 (continued)

<i>Ref.</i>	<i>Part Number</i>	<i>Qty.</i>	<i>Description</i>	<i>Ref.</i>	<i>Part Number</i>	<i>Qty.</i>	<i>Description</i>
1	69-5490	1	Hose ASM	10	104-2807	1	Hose-HYD
2	132-6490	1	Hose	11	138-8023-0P	1	Bracket-Routing
3	133-2255	2	Hose ASM	12	56-7972	2	Clamp-Tube
4	105-5405	1	Hose-HYD	13	119-1419	1	Plate-Clamp
5	133-2280	1	HYD Tube ASM	14	3230-4	1	Bolt-CARR
5:1	237-22	1	O-Ring	15	104-8300	1	Nut-HF, NI
6	136-9709	1	Tube-Hydrualic	16	3256-23	1	Washer-Plain
7	136-9714	1	Hose ASM	17	3231-21	2	Screw-CARR
8	2412-111	1	Clamp-Hose, W/Liner	18	104-8301	2	Nut-HF, NI
9	3290-378	5	Tie-Cable				

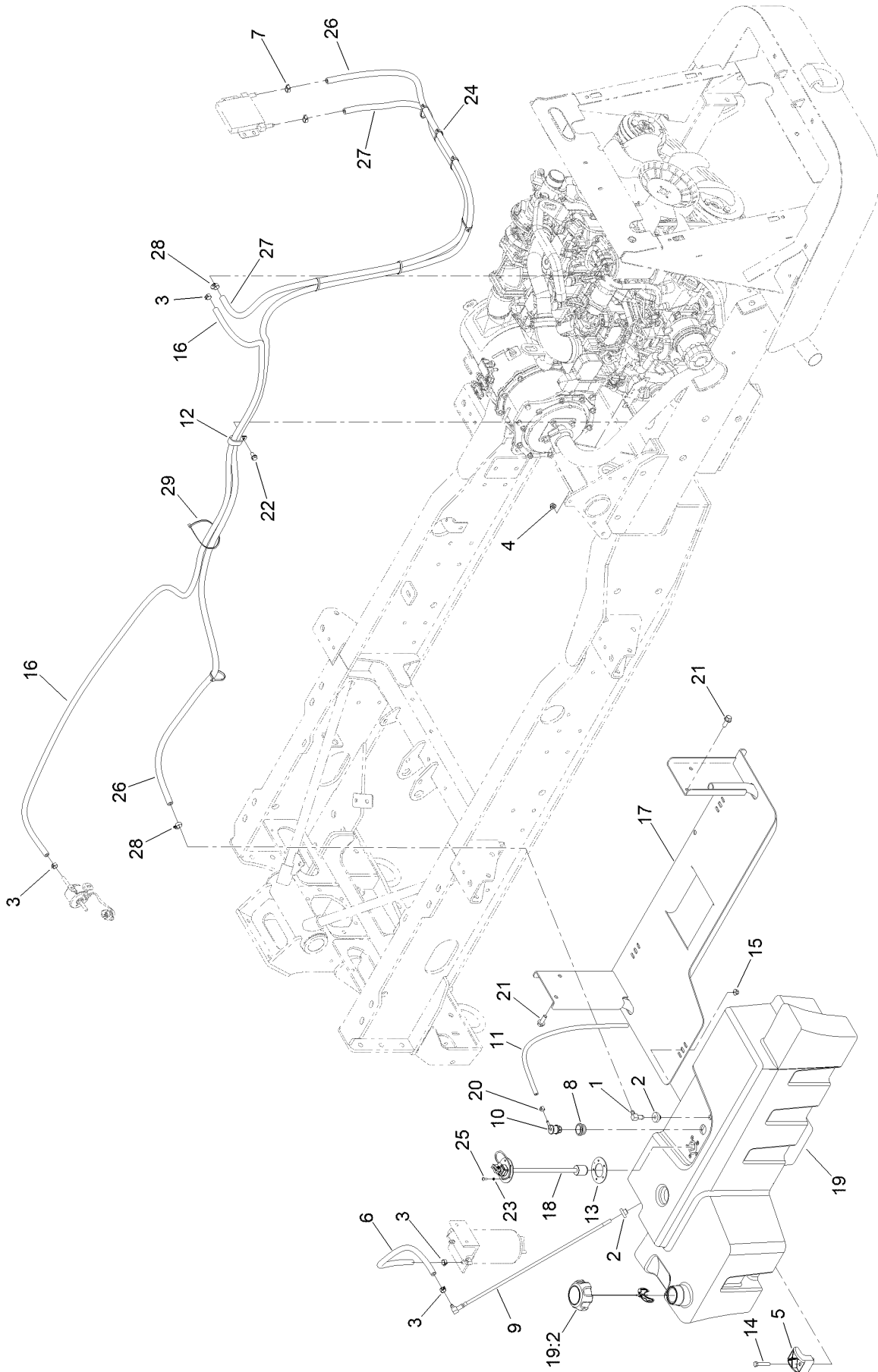
Fuel Pump and Filter Assembly



Fuel Pump and Filter Assembly (continued)

<i>Ref.</i>	<i>Part Number</i>	<i>Qty.</i>	<i>Description</i>	<i>Ref.</i>	<i>Part Number</i>	<i>Qty.</i>	<i>Description</i>
1	27-4570	2	Knob-Seat	11	110-4109	1	Hose-Fuel
2	105-4886	2	Nut-Tinnerman	12	121-5613	1	Pump-Fuel, Electric
3	136-9742	1	Cover-LH	13	125-2914	1	Filter-Separator
4	136-9957-01	1	Bracket-Latch, Rear	13:1	125-2915	1	Filter-Fuel/Water Separator
5	136-9958-01	1	Bracket-Latch, Front	14	136-9728-0P	1	Bracket-Support, Fuel
6	3234-42	4	Screw-HHF	15	353-781	2	Fitting-HYD, 90
7	3256-80	2	Washer-Plain	16	3234-29	2	Screw-HHF
8	32151-72	2	Ring-Retaining	17	32105-15	2	Screw-HWH
9	92-2379	2	Clamp-Hose	18	107069	2	Clip
10	94-2413	2	Nut-U				

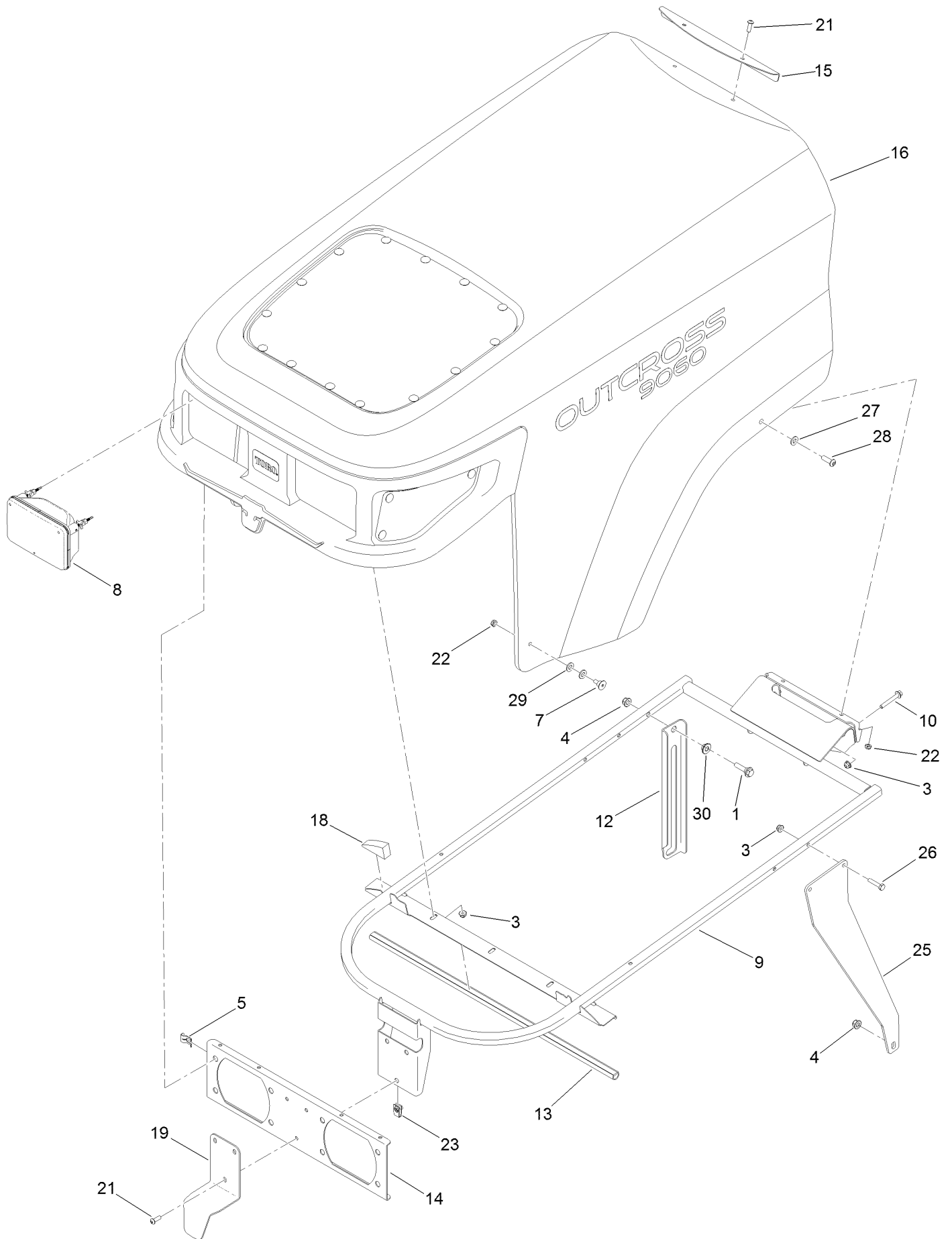
Fuel Tank and Line Assembly



Fuel Tank and Line Assembly (continued)

<i>Ref.</i>	<i>Part Number</i>	<i>Qty.</i>	<i>Description</i>	<i>Ref.</i>	<i>Part Number</i>	<i>Qty.</i>	<i>Description</i>
1	46-6550	1	Fitting-Elbow, 90 DEG	16	136-9708	1	Hose-Fuel
2	46-6560	2	Bushing	17	136-9730-03	1	Support-Tank
3	92-2379	4	Clamp-Hose	18	136-9739	1	Gauge-Fuel, Float
4	107069	1	Clip	19	136-9740	1	Fuel Tank ASM
5	107-4543	3	Clamp	19:2	138-3795	1	Fuel Cap ASM
6	110-4109	1	Hose-Fuel	20	2412-80	1	Clamp-Hose
7	103-1988	2	Clamp-Hose	21	3234-42	4	Screw-HHF
8	114-0284	1	Grommet	22	32105-15	1	Screw-HWH
9	114-3836	1	Pipe-Stand	23	3253-15	5	Washer-Lock
10	114-0285	1	Valve-Rollover	24	3290-378	9	Tie-Cable
11	119-8149	1	Hose-Fuel	25	32122-24	5	Screw-PTH
12	120-1959	1	Clamp	26	136-9978	1	Hose-Fuel
13	121-1707	1	Gasket-Fuel, Viton	27	136-9979	1	Hose-Fuel
14	125-7944	3	Screw-HH	28	2412-108	2	Clamp-Worm
15	130-6655	3	Nut-Flange, NI	29	3290-379	1	Tie-Cable

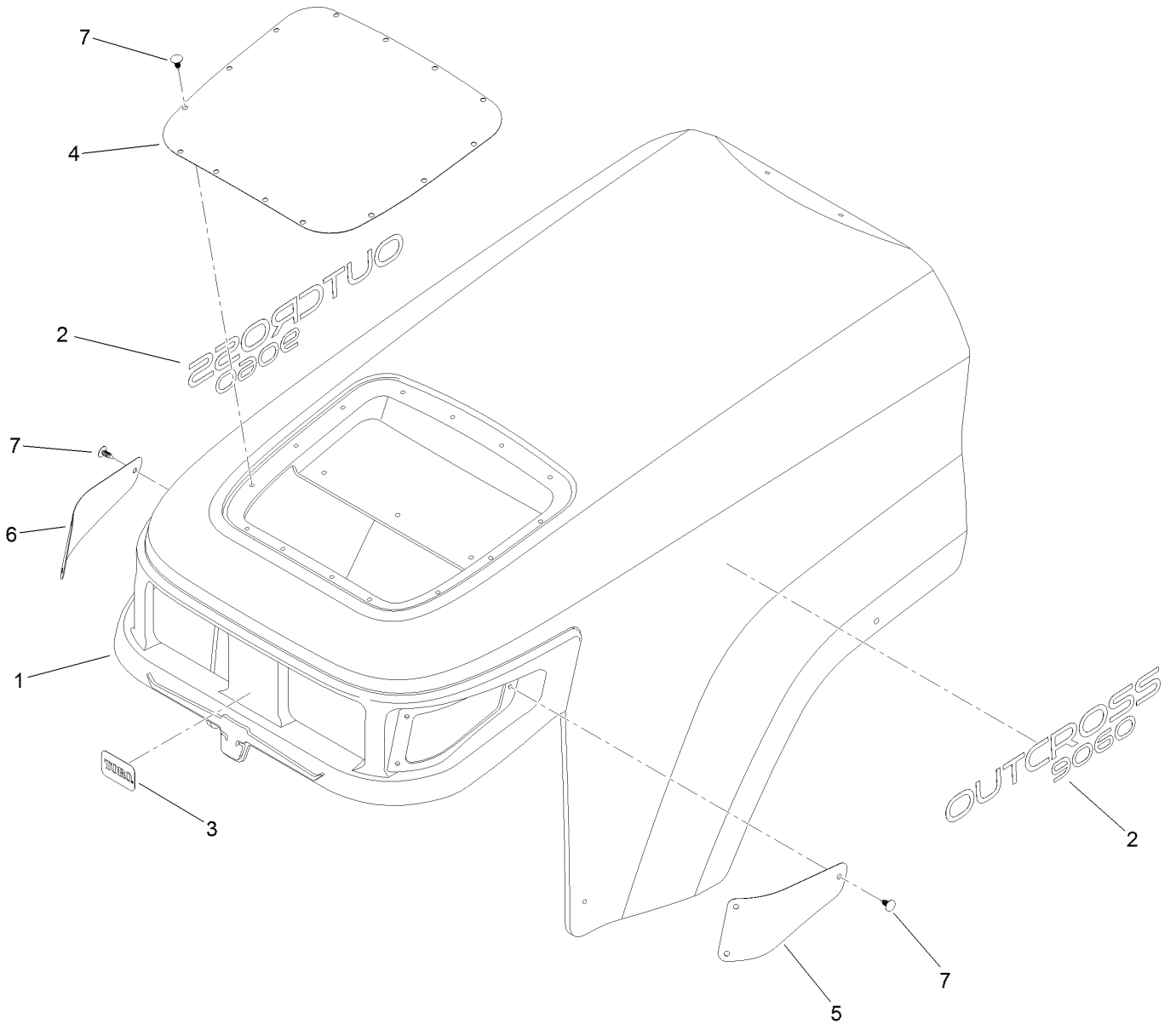
Hood Assembly



Hood Assembly (continued)

<i>Ref.</i>	<i>Part Number</i>	<i>Qty.</i>	<i>Description</i>	<i>Ref.</i>	<i>Part Number</i>	<i>Qty.</i>	<i>Description</i>
1	322-7	1	Screw-HH	16	138-4138	1	Hood ASM
3	104-7201	5	Nut-HF, NI	18	138-2013	2	Block-Foam
4	104-8300	1	Nut-HF, NI	19	138-3755-0P	1	Bracket-Lift, Hood
5	115-2408	6	Clip-Speed	21	3274-69	8	Screw-HSBH
7	125-1122	2	Screw	22	3296-56	4	Nut-Lock, NI
8	138-9260	2	Headlight ASM	23	107069	3	Clip
9	136-9602-0P	1	Support ASM-Hood [primed]	25	138-8145-0P	2	Brace-Hood
10	32105-18	2	Screw-HHF	26	321-8	4	Screw-HH
12	138-8279-0P	1	Prop-Hood	27	3256-70	2	Washer-Flat
13	136-9779	1	Seal-Bulb	28	3274-104	2	Screw-HSBH
14	136-9786-0P	1	Bracket-Light	29	3256-22	4	Washer-Flat
15	136-9792-03	1	Bracket-Hood, Rear	30	125-9249	1	Spacer-Coupler, Rubber

Hood Assembly No. 138-4138

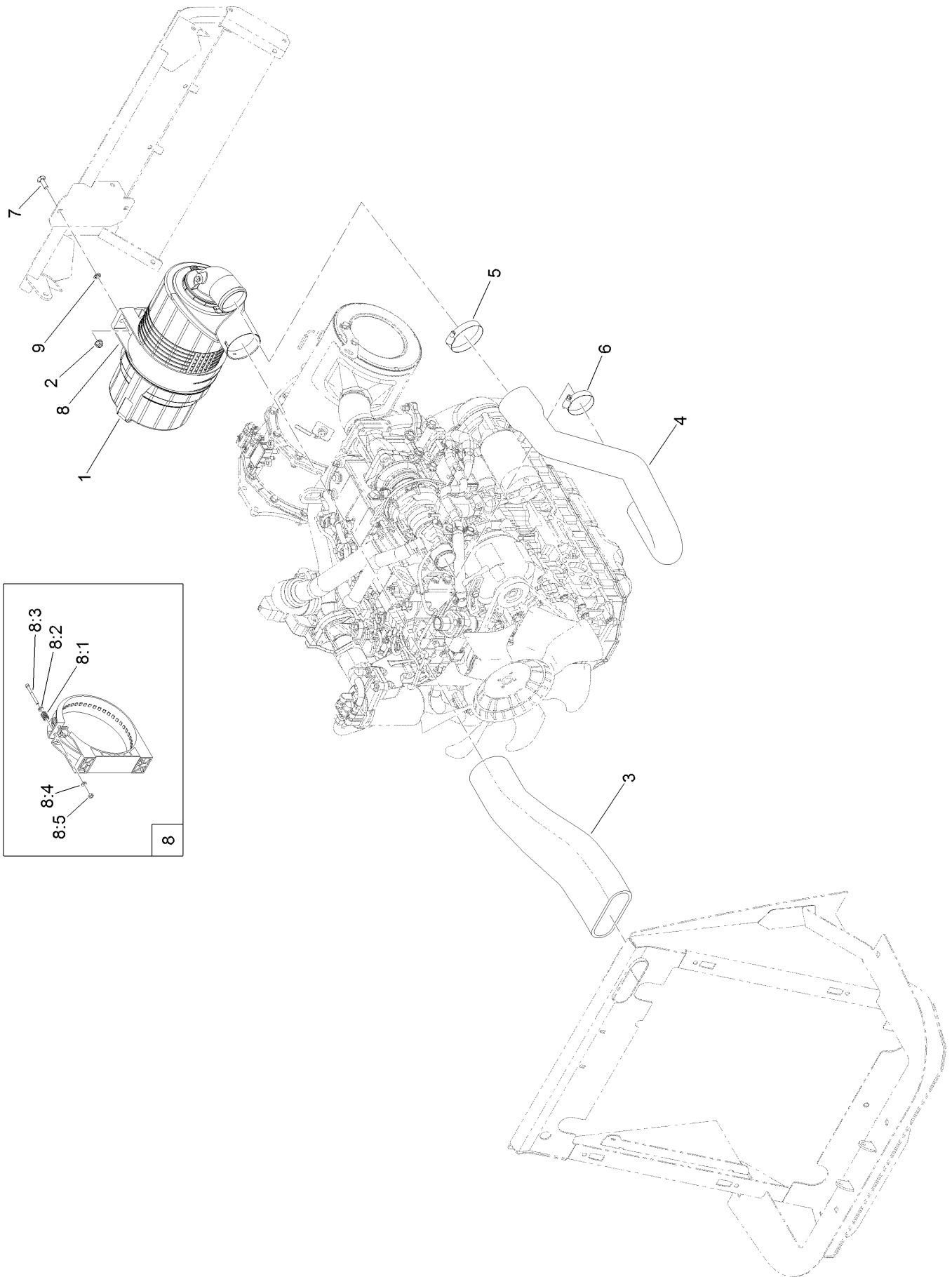


Hood Assembly No. 138-4138 (continued)

<i>Ref.</i>	<i>Part Number</i>	<i>Qty.</i>	<i>Description</i>
1	136-9856	1	Hood ASM
2	136-9884	2	Decal
3	138-4105	1	Decal-Logo
4	136-9611-03	1	Screen

<i>Ref.</i>	<i>Part Number</i>	<i>Qty.</i>	<i>Description</i>
5	138-3756-03	1	Screen-Side, LH
6	138-3784-03	1	Screen-Side, RH
7	117-2382	20	Plug-Plastic

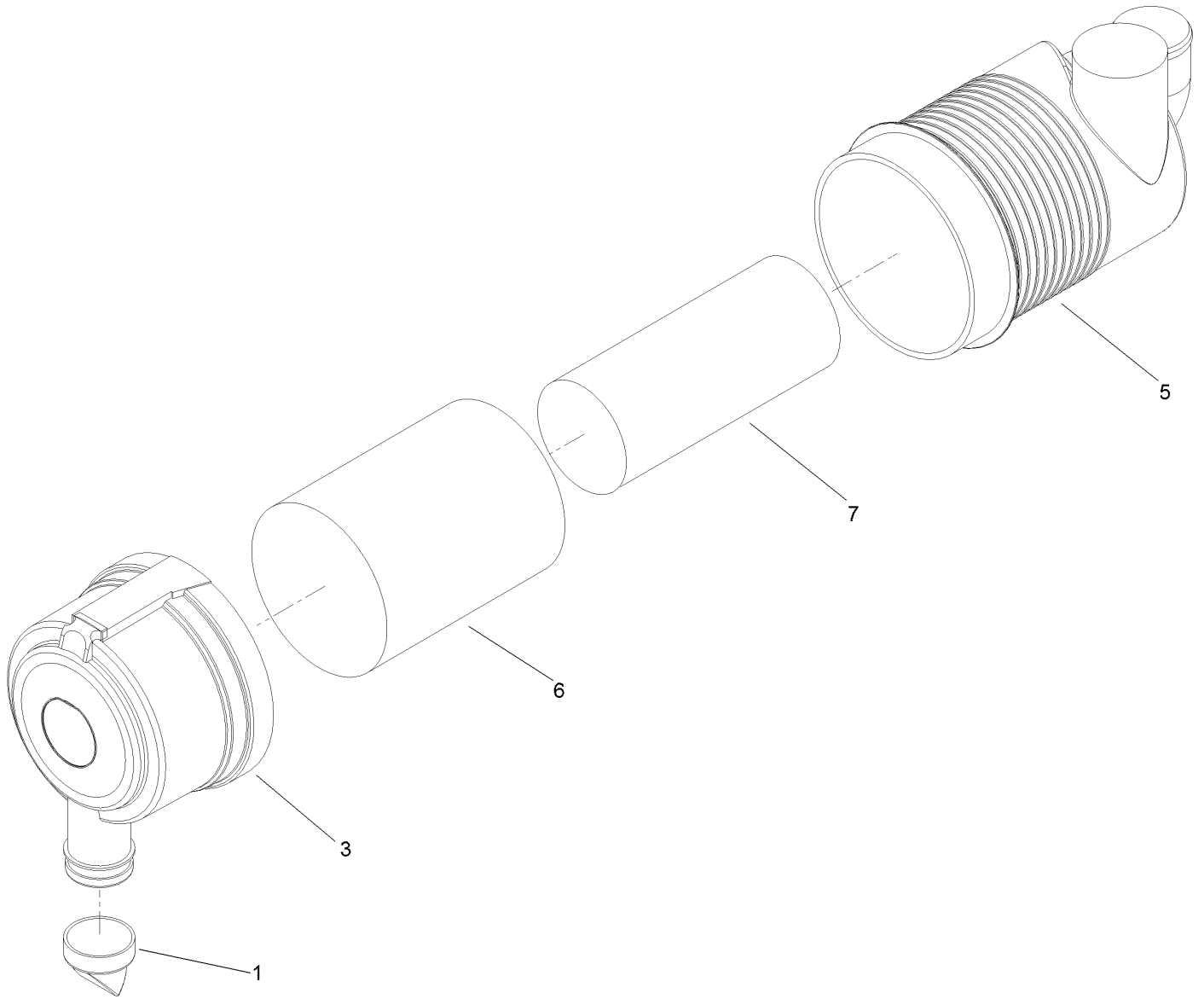
Air Intake Assembly



Air Intake Assembly (continued)

<i>Ref.</i>	<i>Part Number</i>	<i>Qty.</i>	<i>Description</i>	<i>Ref.</i>	<i>Part Number</i>	<i>Qty.</i>	<i>Description</i>
1	99-5410	1	Air Cleaner ASM	8	99-5414	1	Strap-Cleaner, Air
2	104-8300	2	Nut-HF, NI	8:1	108-1512	2	Spring
3	136-5195	1	Hose-Air	8:2	3256-22	2	Washer-Flat
4	136-5196	1	Hose-Air	8:3	33113-050	2	Screw-HH
5	2412-125	1	Clamp-Hose	8:4	33093-00	2	Washer-Flat
6	2412-130	1	Clamp-Hose	8:5	33023-00	2	Nut-Lock
7	3230-22	2	Screw-CARR	9	117-2749	2	Nut-Push

Air Cleaner Assembly No. 99-5410

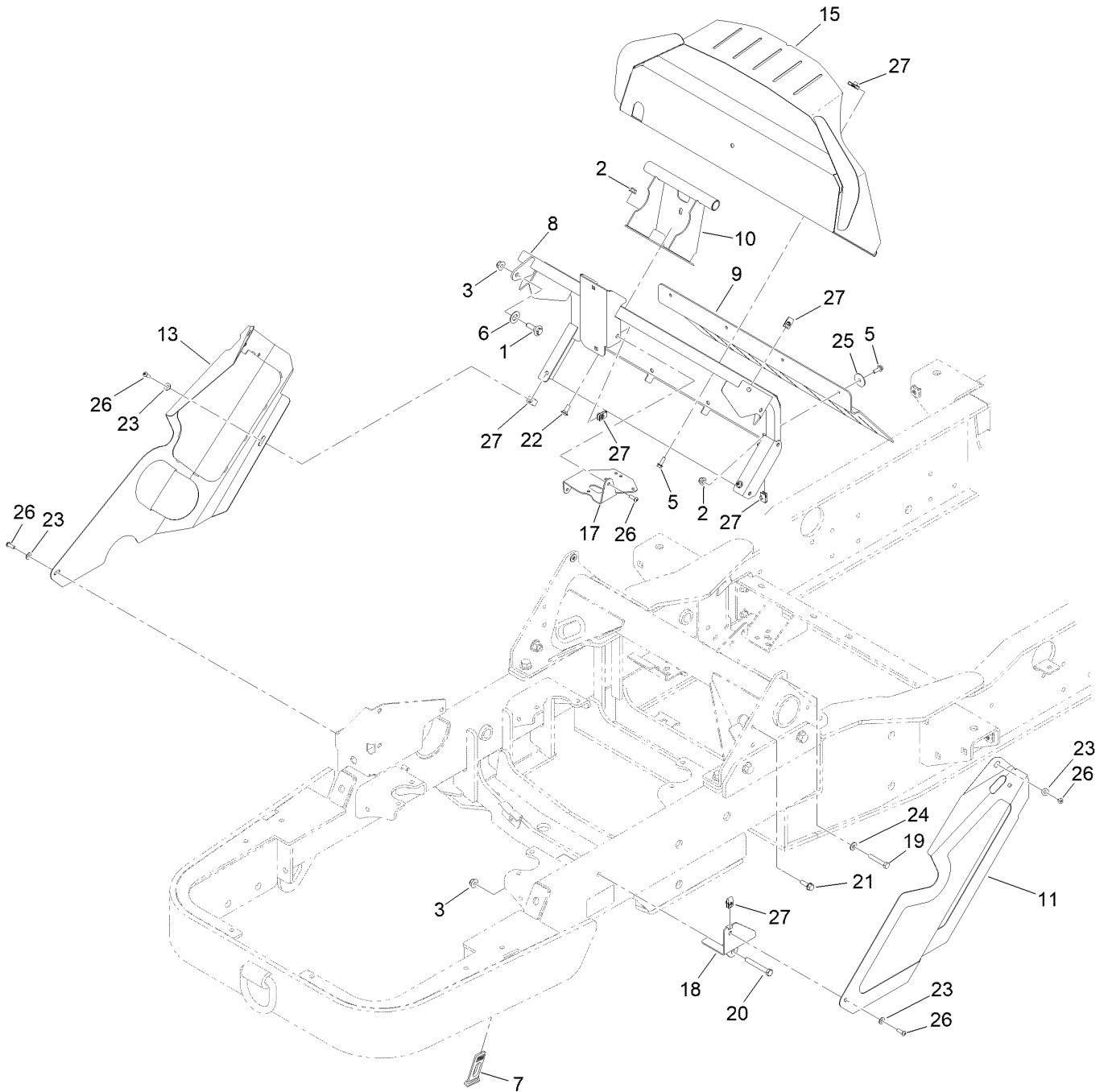


Air Cleaner Assembly No. 99-5410 (continued)

<i>Ref.</i>	<i>Part Number</i>	<i>Qty.</i>	<i>Description</i>	<i>Ref.</i>	<i>Part Number</i>	<i>Qty.</i>	<i>Description</i>
1	104-4258	1	Valve-Vacuator	6	108-3814	1	Filter-Air
3	104-4259	1	Cover	7	108-3816	1	Filter-Air
5		1	Body ASM ●				

● Not serviced separately

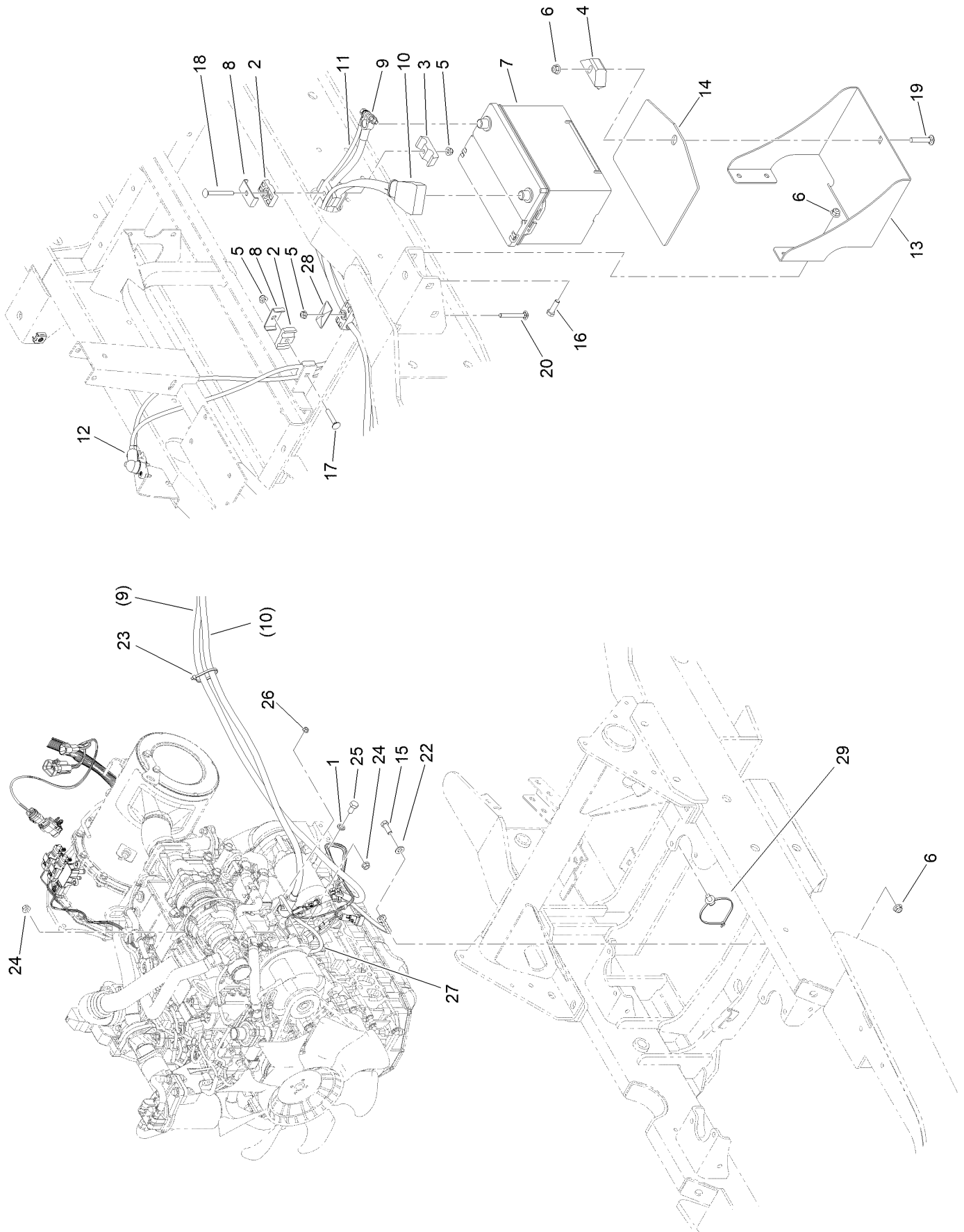
Shield Assembly



Shield Assembly (continued)

<i>Ref.</i>	<i>Part Number</i>	<i>Qty.</i>	<i>Description</i>	<i>Ref.</i>	<i>Part Number</i>	<i>Qty.</i>	<i>Description</i>
1	614672	1	Screw-Shoulder, HWH	17	138-1876	1	Bracket-Sensor
2	104-8300	5	Nut-HF, NI	18	138-1877-01	1	Bracket-Shield
3	104-8301	2	Nut-HF, NI	19	322-10	2	Screw-HH
5	115-5103	8	Screw-HHF	20	323-13	1	Screw-HH
6	117-1240	1	Washer	21	3234-29	1	Screw-HHF
7	131-8402	2	Strap-Down, Hold	22	3230-23	1	Bolt-CARR
8	138-8130-03	1	Mount-Mid	23	3256-1	6	Washer-Flat
9	138-1857	1	Flap-Air	24	3256-2	2	Washer-Flat
10	138-8124-0P	1	Hinge	25	3256-57	4	Washer-Flat
11	140-0574-03	1	Shield-LH	26	3274-69	7	Screw-HSBH
13	140-0570	1	Shield-RH	27	107069	15	Clip
15	138-1870-03	1	Shield-Dash				

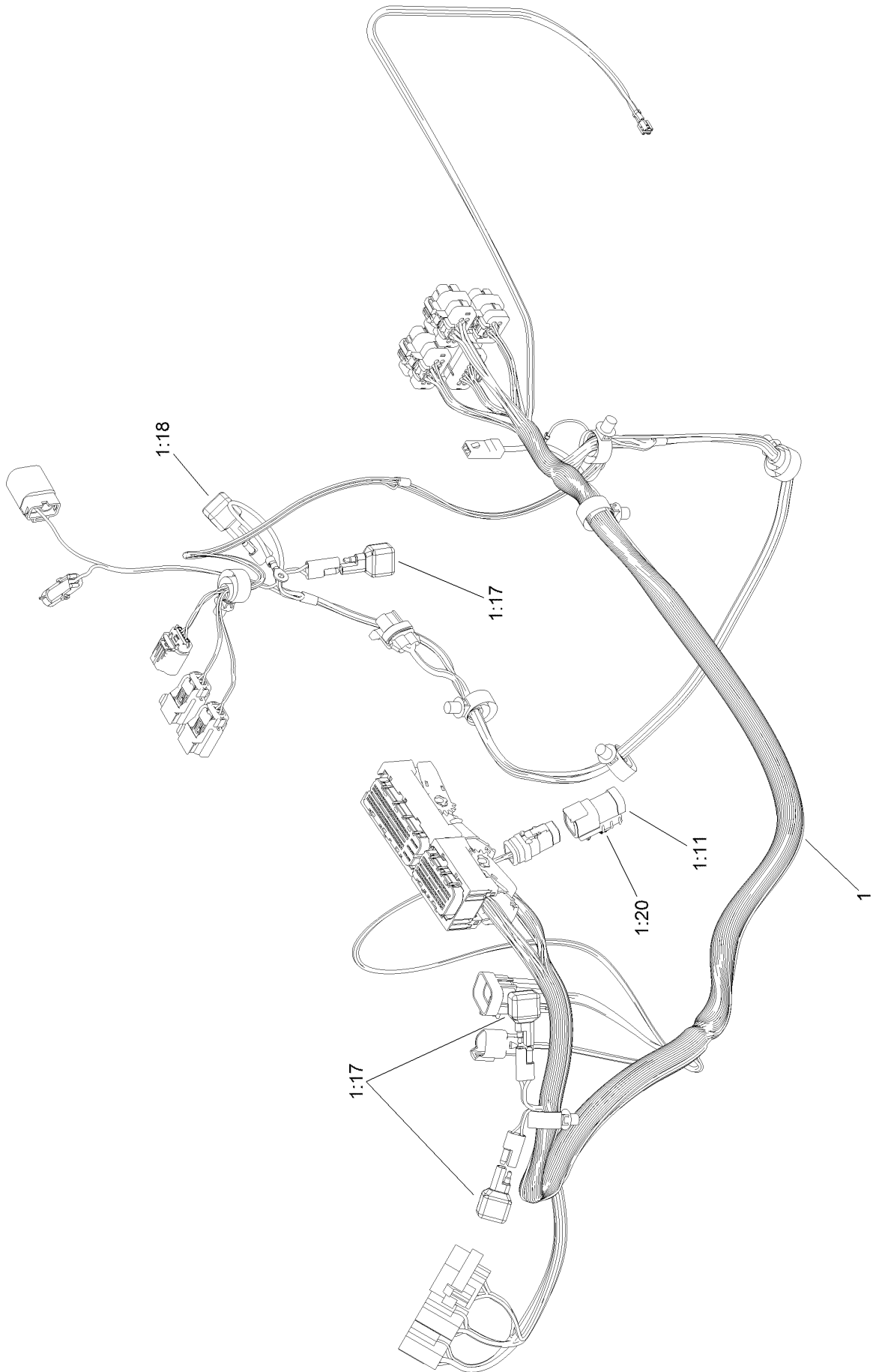
Battery Assembly



Battery Assembly (continued)

<i>Ref.</i>	<i>Part Number</i>	<i>Qty.</i>	<i>Description</i>	<i>Ref.</i>	<i>Part Number</i>	<i>Qty.</i>	<i>Description</i>
1	48-9590	1	Washer-Lock	15	323-6	1	Screw-HH
2	56-7972	4	Clamp-Tube	16	323-7	4	Screw-HH
3	94-8105	4	Clamp-Tube	17	3230-5	1	Bolt-CARR
4	138-6335	1	Retainer-Battery	18	3230-13	1	Screw-CARR
5	104-8300	5	Nut-HF, NI	19	3231-6	1	Screw-CARR
6	104-8301	6	Nut-HF, NI	20	3230-8	1	Screw-CARR
7	106-5190	1	Battery, 660 CCA W/O Electrolyte	22	3256-24	1	Washer-Flat
8	119-1419	2	Plate-Clamp	23	3290-378	1	Tie-Cable
9	122-0709	1	Cable-Battery, Negative	24	33004-00	2	Nut-HF
10	122-0710	1	Cable-Battery, Positive	25	33115-020	1	Screw-HH
11	122-0969	1	Cable-Battery, Negative	26	33003-00	1	Nut-HF
12	122-0970	1	Cable-Battery, Positive	27	122-0071	1	Cable-Battery, Positive
13	133-7817-01	1	Support-Battery	28	69-9761	1	Plate-Cover
14	136-5338	1	Mat-Battery	29	32180-031	1	Clip-Tree (W/Tie)

Engine Wire Harness Assembly

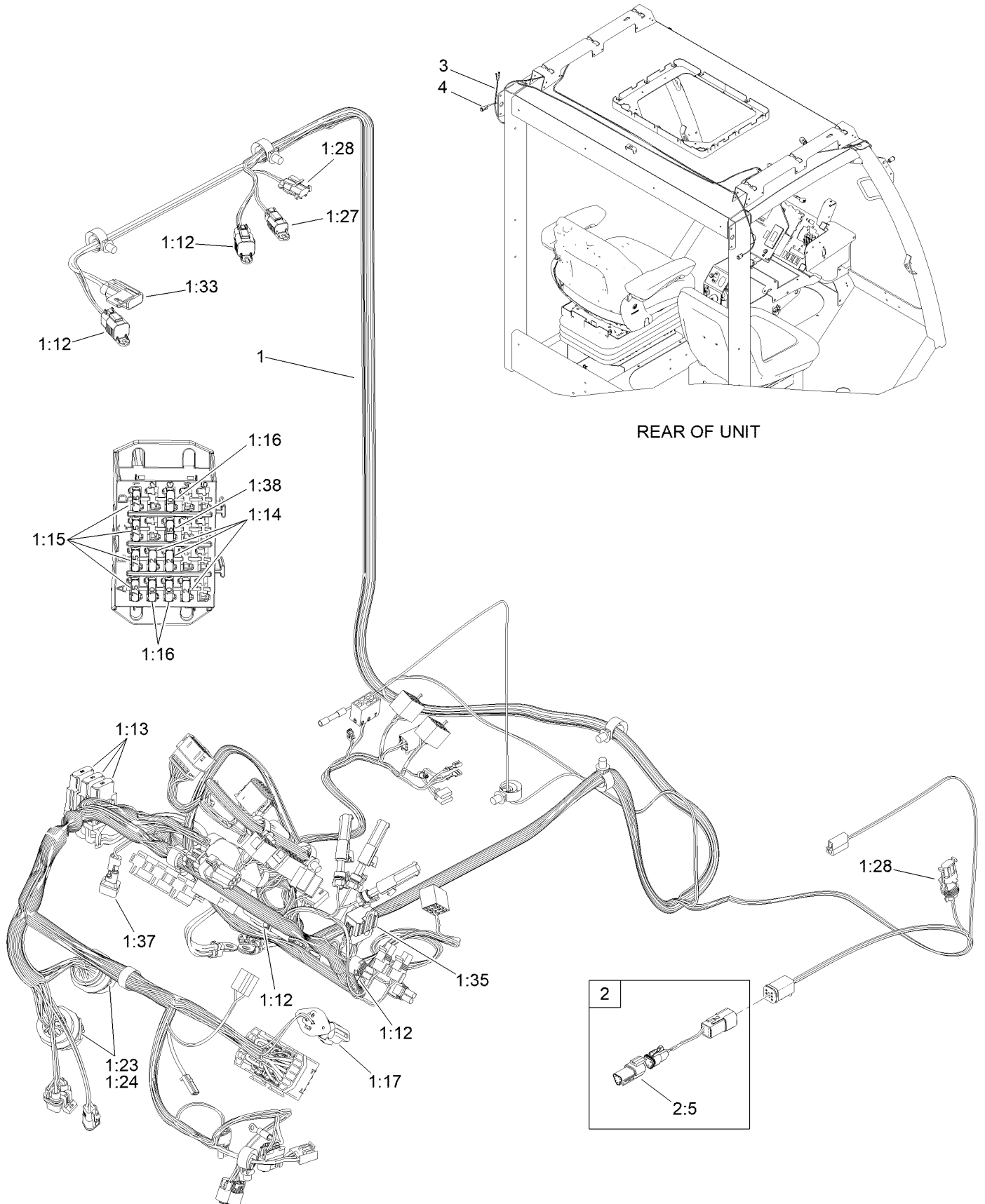


Engine Wire Harness Assembly (continued)

<i>Ref.</i>	<i>Part Number</i>	<i>Qty.</i>	<i>Description</i>
1	122-0921	1	Harness-Wire, Engine
1:11	32160-359	1	Connector (6M)
1:17	100-4918	3	Diode

<i>Ref.</i>	<i>Part Number</i>	<i>Qty.</i>	<i>Description</i>
1:18	121-8891	1	Resistor (1.6K Ohm)
1:20	32180-103	1	Clip-Connector

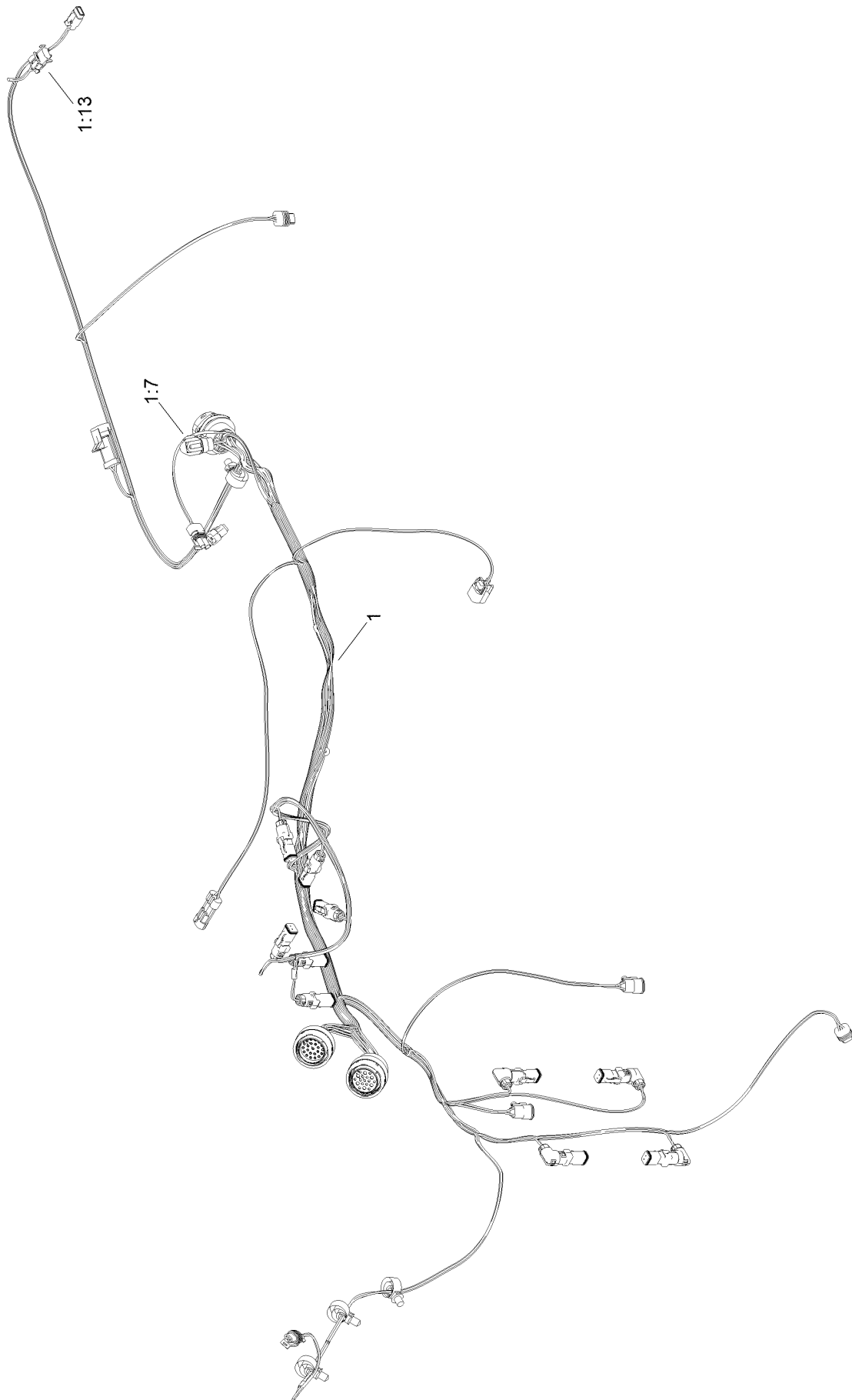
Platform Wire Harness Assembly



Platform Wire Harness Assembly (continued)

<i>Ref.</i>	<i>Part Number</i>	<i>Qty.</i>	<i>Description</i>	<i>Ref.</i>	<i>Part Number</i>	<i>Qty.</i>	<i>Description</i>
1	122-1668	1	Harness-Wire, Platform	1:28	32180-056	1	Cap
1:12	32180-156	4	Cap-Plug, 6 Way	1:33	32180-019	1	Cover-Fuse, Single
1:13	114-3342	3	Fuse-Maxi, 60 Amp	1:35	32180-270	1	Cap-Dust, 12 Way
1:14	121-8861	3	Fuse-Mini Blade, 2 Amp	1:37	100-4918	1	Diode
1:15	121-8865	4	Fuse-Mini Blade, 7.5 Amp	1:38	121-8867	1	Fuse-Mini Blade, 15 Amp
1:16	121-8866	5	Fuse-Mini Blade, 10 Amp	2	122-1047	1	Harness-Wire, Can Terminator
1:17	32180-089	1	Cap-Plug, 3 Way	2:5	32180-043	1	Resistor-120 Ohm
1:23	32180-175	2	Nut-Connector	3	122-1247	1	Harness-Wire, Beacon
1:24	32180-174	2	Washer-Lock	4	122-1248	1	Harness-Wire, Worklights
1:27	32180-091	1	Cap-Dust, 2 Way				

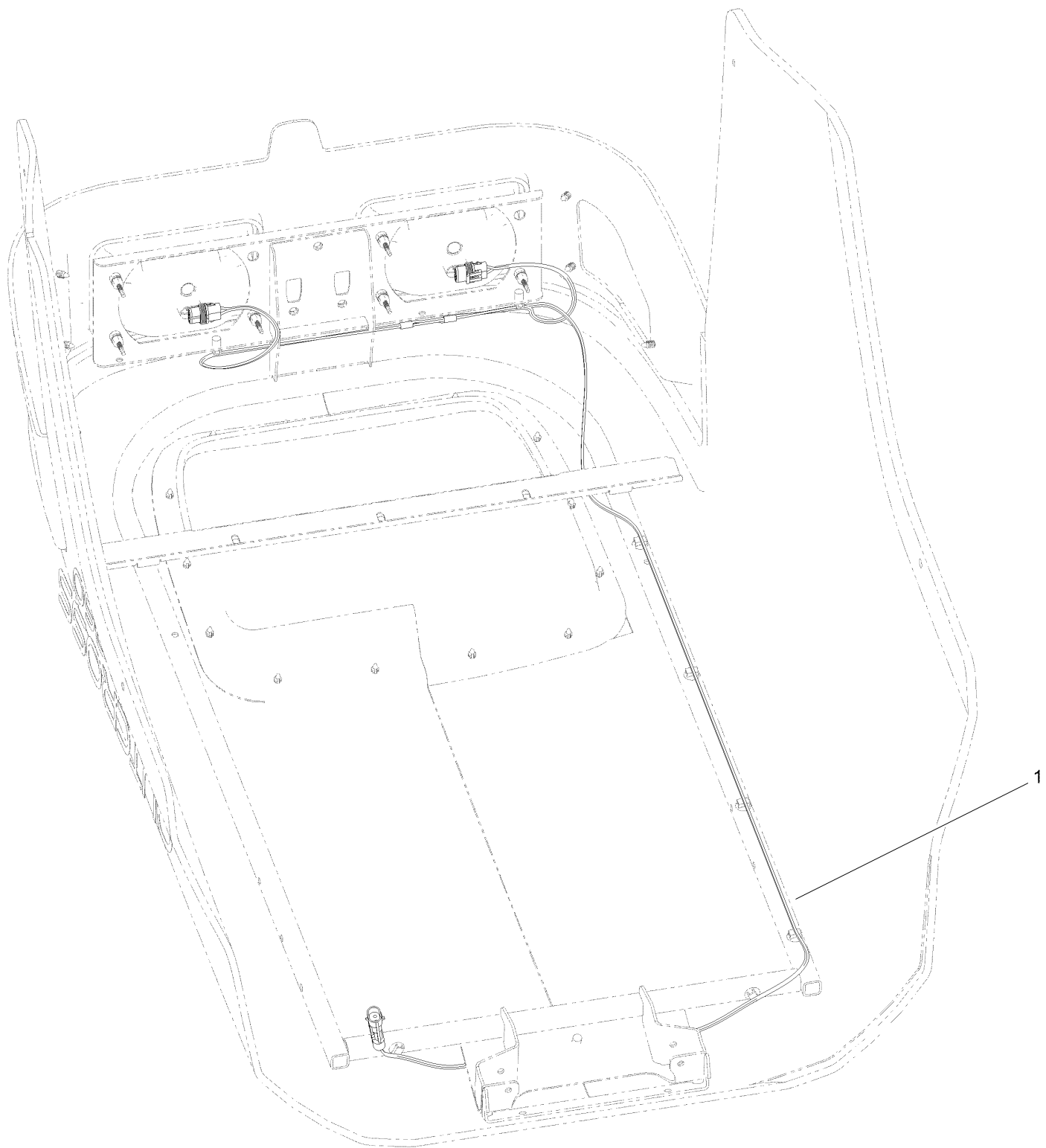
Frame Wire Harness Assembly



Frame Wire Harness Assembly (continued)

<i>Ref.</i>	<i>Part Number</i>	<i>Qty.</i>	<i>Description</i>
1	122-0923	1	Harness-Wire, Frame
1:7	32180-089	1	Cap-Plug, 3 Way
1:13	32180-056	1	Cap

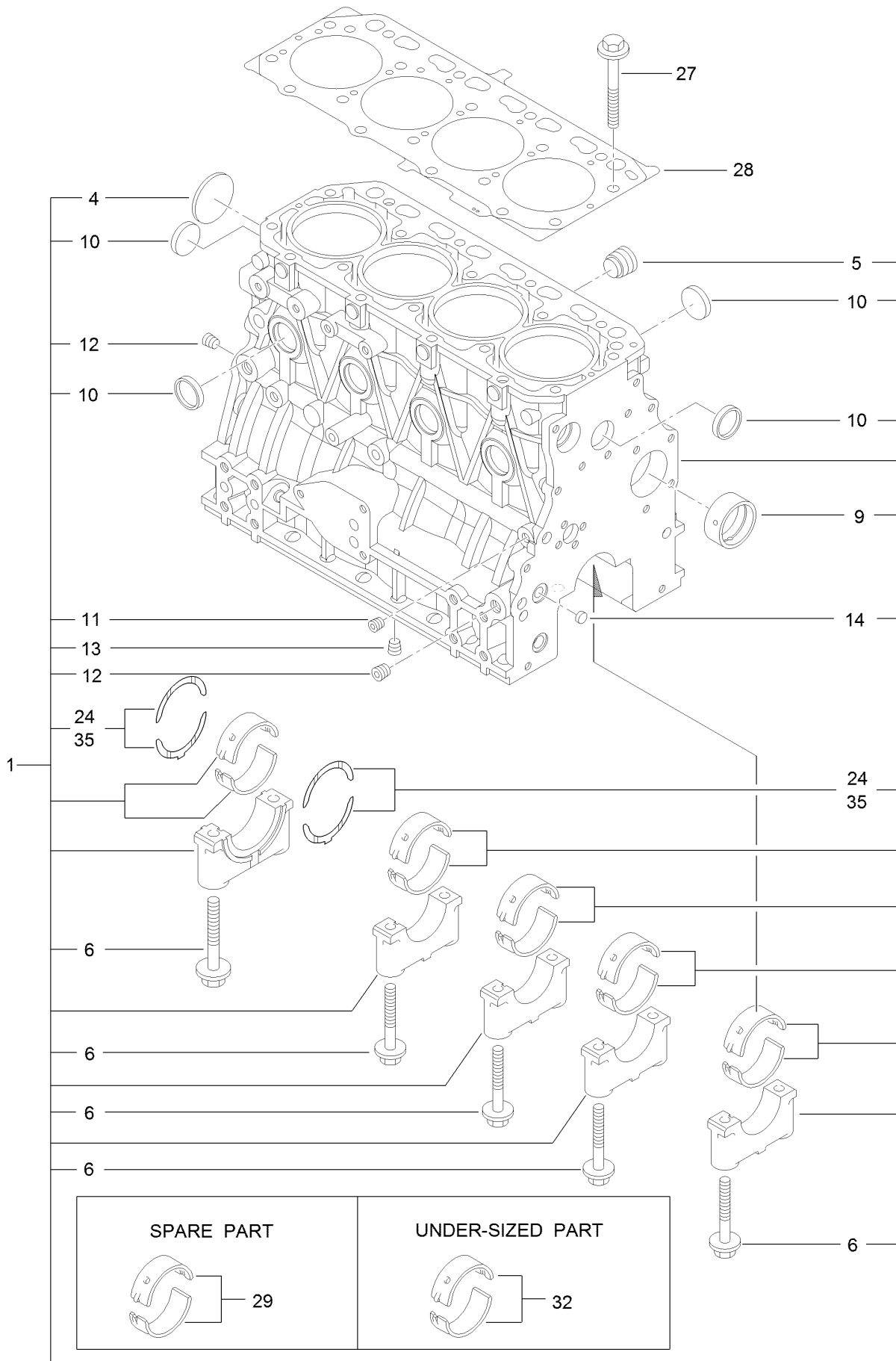
Headlight Wire Harness Assembly



Headlight Wire Harness Assembly (continued)

<i>Ref.</i>	<i>Part Number</i>	<i>Qty.</i>	<i>Description</i>
1	122-1732	1	Harness-Wire, Headlight

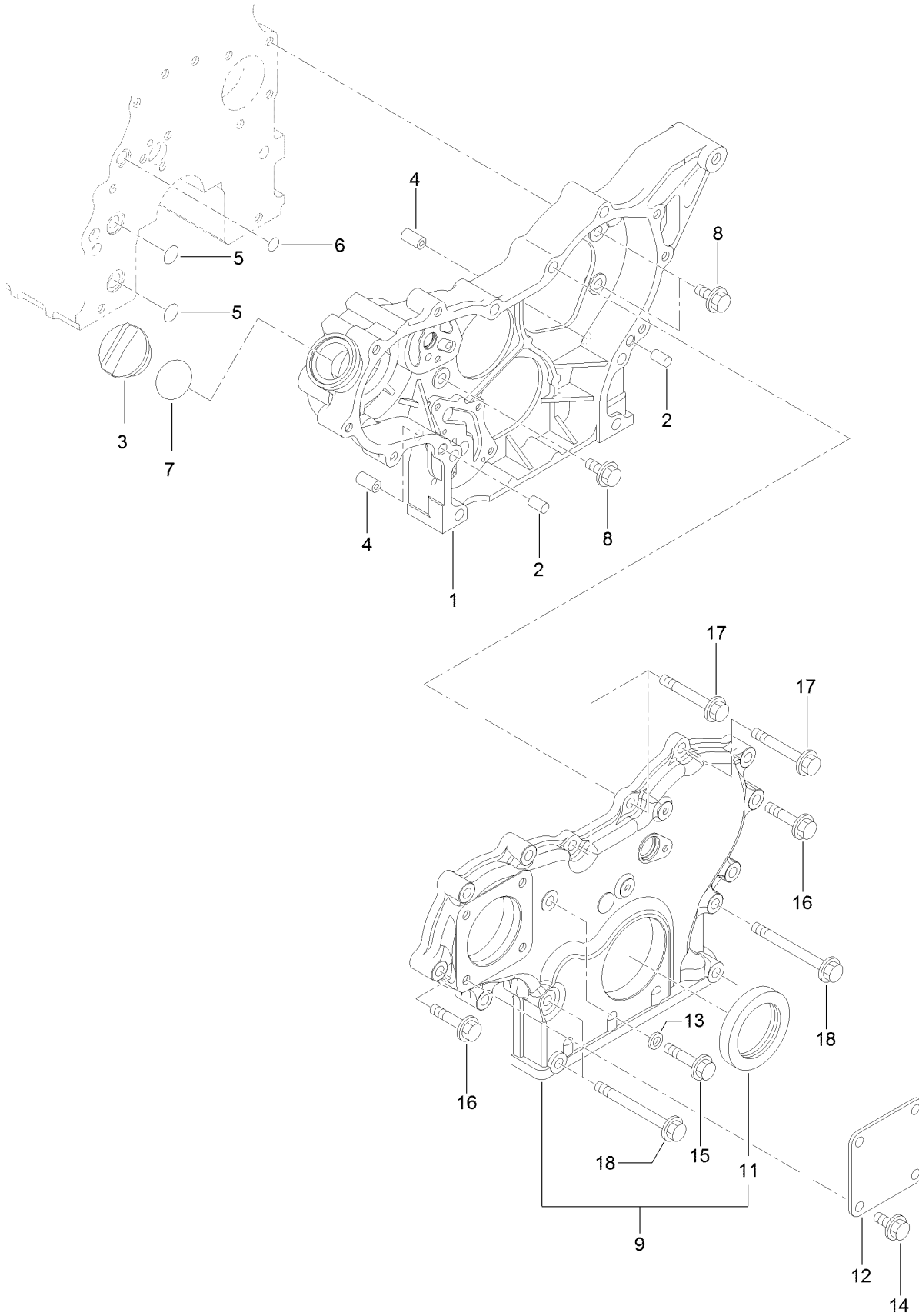
Cylinder Block Assembly



Cylinder Block Assembly (continued)

<i>Ref.</i>	<i>Part Number</i>	<i>Qty.</i>	<i>Description</i>	<i>Ref.</i>	<i>Part Number</i>	<i>Qty.</i>	<i>Description</i>
1	127-3127	1	Cylinder Block ASM	13	125-6973	1	Plug
4	125-6980	1	Plug	14	125-7237	1	Plug
5	125-7170	1	Plug	24	125-7010	2	Metal-Thrust
6	125-7007	10	Bolt	27	125-7006	18	Bolt
9	125-7108	1	Bushing	28	127-3126	1	Gasket-Head, Cylinder
10	138-7824	8	Plug	29	125-6981	5	Metal-Main
11	125-6969	1	Plug	32	125-7009	5	Metal-Main (0.25)
12	125-6973	2	Plug	35	125-7011	1	Metal-Thrust (0.25)

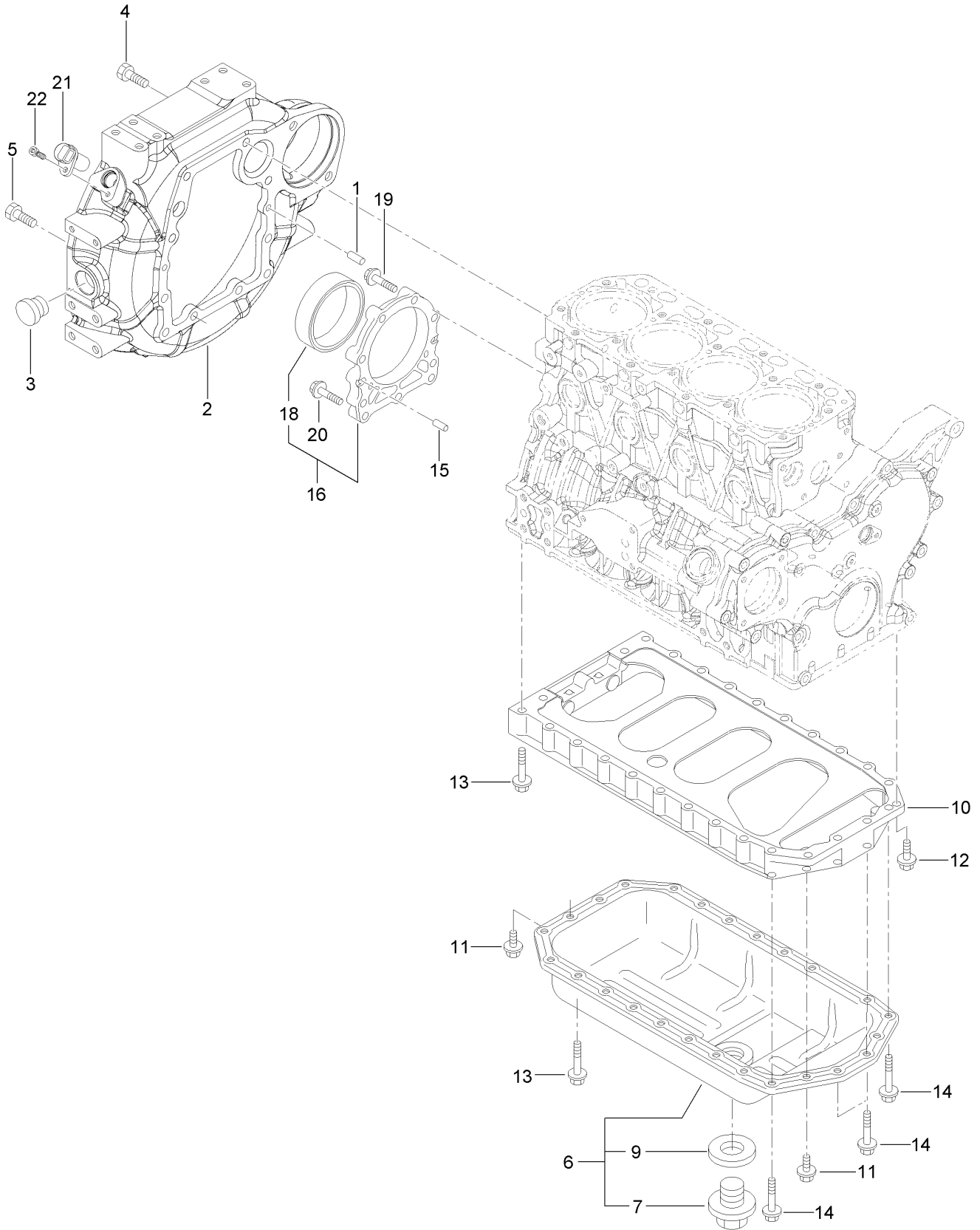
Gear Housing Assembly



Gear Housing Assembly (continued)

<i>Ref.</i>	<i>Part Number</i>	<i>Qty.</i>	<i>Description</i>	<i>Ref.</i>	<i>Part Number</i>	<i>Qty.</i>	<i>Description</i>
1	138-7825	1	Case-Gear	11	125-6944	1	Seal-Oil
2	125-6995	2	Pin	12	125-6977	1	Cover
3	125-6972	1	Cover-Filler	13	125-7174	1	Washer-Seal
4	125-7107	2	Pipe	14	125-7214	4	Bolt
5	125-6909	2	O-Ring	15	125-7217	1	Bolt
6	127-2973	1	O-Ring	16	125-7218	7	Bolt
7	125-7197	1	O-Ring	17	125-7222	3	Bolt
8	125-7214	3	Bolt	18	125-7224	4	Bolt
9	127-3024	1	Gearcase Cover ASM				

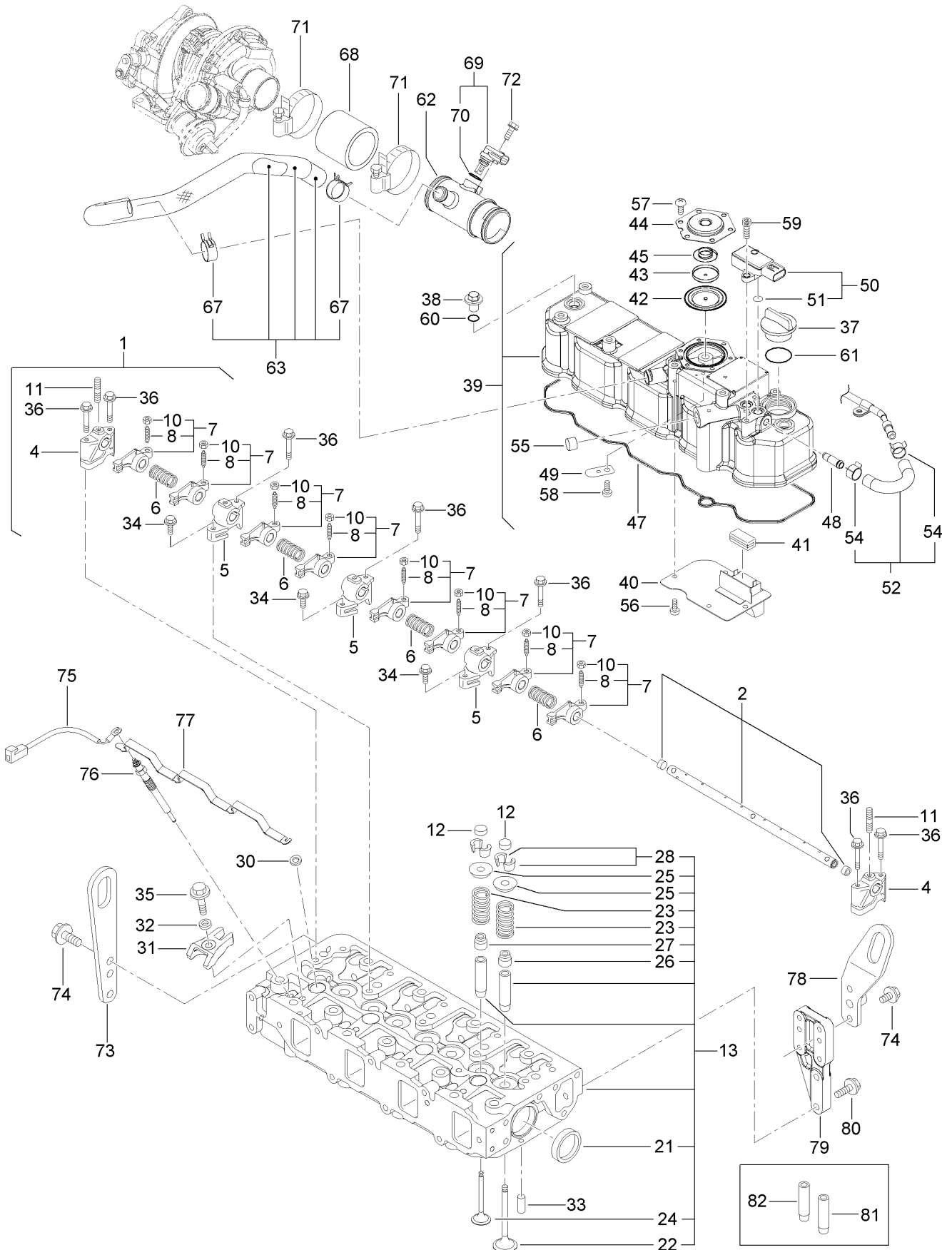
Flywheel Housing and Oil Sump Assembly



Flywheel Housing and Oil Sump Assembly (continued)

<i>Ref.</i>	<i>Part Number</i>	<i>Qty.</i>	<i>Description</i>	<i>Ref.</i>	<i>Part Number</i>	<i>Qty.</i>	<i>Description</i>
1	125-6995	2	Pin	12	125-7215	2	Bolt
2	127-3025	1	Housing-Flywheel	13	125-7219	20	Bolt
3	125-6910	1	Cap	14	125-7220	4	Bolt
4	125-7226	6	Bolt	15	125-6995	2	Pin
5	125-7227	4	Bolt	16	135-4011	1	Case ASM
6	138-7826	1	Oil Pan ASM	18	138-7827	1	Seal, Oil
7	125-6912	1	Plug-Drain	19	125-7045	6	Bolt
9	125-7177	1	Washer-Seal	20	125-7217	3	Bolt
10	125-7035	1	Spacer	21	127-3062	1	Sensor-Rev, Flywheel
11	125-7214	4	Bolt	22	127-3184	1	Bolt

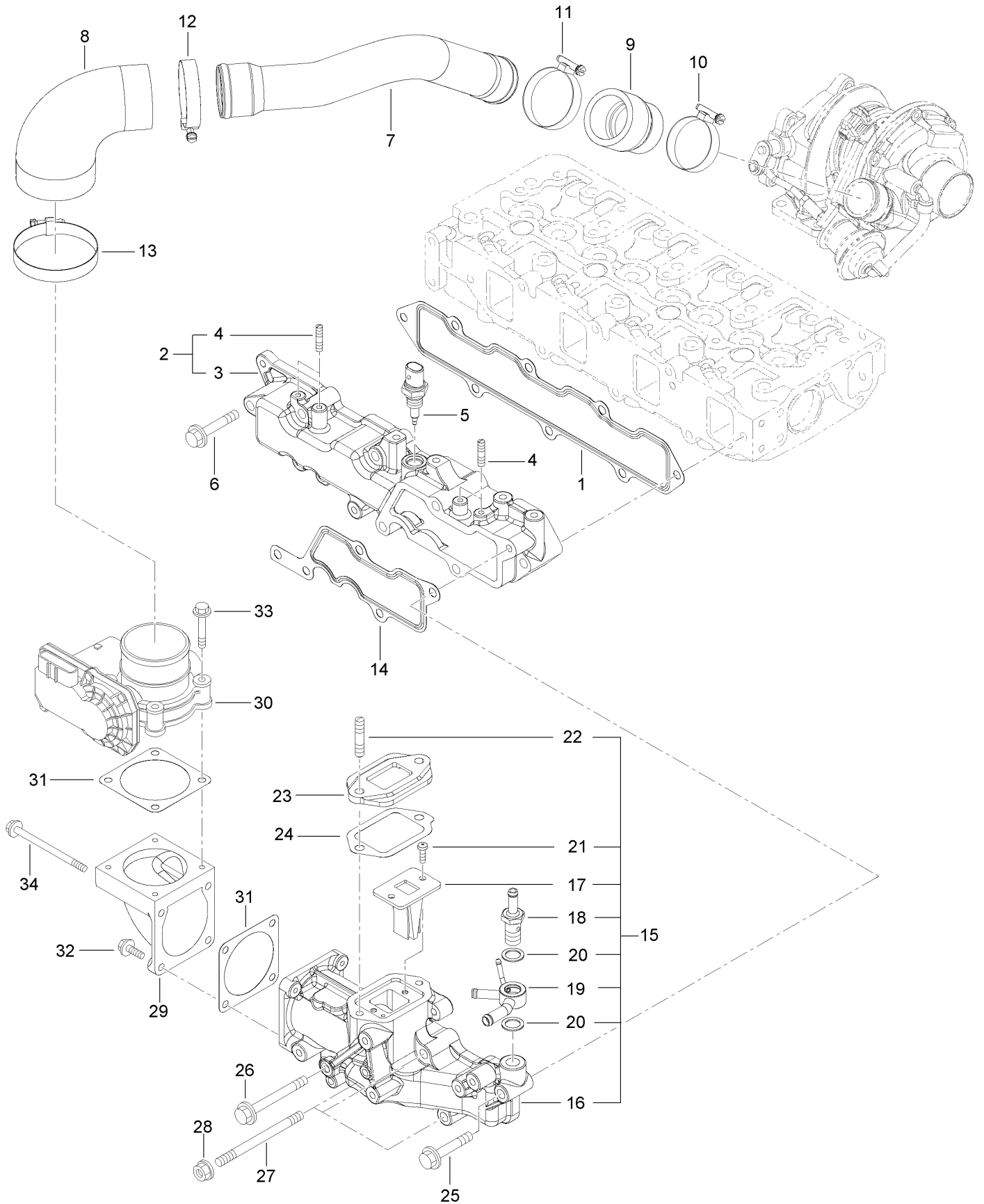
Cylinder Head and Cover Assembly



Cylinder Head and Cover Assembly (continued)

<i>Ref.</i>	<i>Part Number</i>	<i>Qty.</i>	<i>Description</i>	<i>Ref.</i>	<i>Part Number</i>	<i>Qty.</i>	<i>Description</i>
1	127-3005	1	Shaft ASM	45	125-6962	1	Spring-Diaphragm
2	127-3006	1	Shaft	47	127-3106	1	Gasket-Cover
4	127-2974	2	Support	48	127-3026	1	Joint
5	127-2975	3	Support	49	125-6994	1	Spring
6	127-2995	4	Spring	50	127-3029	1	Sensor-Pressure
7	127-2989	8	Arm-Rocker	51	127-3032	2	O Ring-Sensor, Pressure
8	125-7013	8	Screw-Adjust, Valve	52	127-3040	1	Hose ASM
10	125-7014	8	Nut	54	127-3041	2	Clip-Hose
11	127-3759	3	Stud	55	125-6913	1	Plug
12	127-2996	8	Cap-Valve	56	125-7186	4	Screw
13	127-3132	1	Cylinder Head ASM	57	125-7186	6	Screw
21	125-7240	2	Plug	58	125-7186	1	Screw
22	127-2990	4	Valve	59	127-3184	2	Bolt
23	127-3012	8	Spring	60	138-7829	3	O-Ring
24	127-2994	4	Valve	61	125-7197	1	O-Ring
25	127-3013	8	Retainer-Spring	62	137-5169	1	Breather Joint
26	127-2986	4	Seal-Stem, Valve	63	138-7830	1	Breather Hose ASM
27	127-3027	4	Seal-Stem, Valve	67	125-7040	1	Clip-Hose
28	127-3186	8	Pin-Cotter	68	127-3133	1	Hose-Intake
30	127-3021	4	Gasket-Injector	69	127-3030	1	Sensor-Temp, Air
31	127-3028	4	Retainer-Injector	70	127-3033	1	O-Ring
32	127-2980	4	Washer-Injector	71	125-7190	1	Clamp-Hose
33	125-7184	2	Pin-Spring	72	125-7208	1	Bolt
34	125-7215	3	Bolt	73	125-7111	1	Lifter
35	125-7217	4	Bolt	74	100-6928	1	Bolt
36	125-7220	7	Bolt	75	131-2704	1	Harness-Wire
37	125-6972	1	Cover-Filler	76	127-2991	1	Plug-Glow
38	125-6974	3	Knob	77	127-3123	1	Connector-Glow Plug
39	138-7828	1	Head Cover ASM	78	138-7868	1	Lifter-Engine
40	127-2988	1	Plate	79	138-7869	1	Spacer-Lifter
41	125-7012	1	Baffle	80	125-7215	1	Bolt
42	125-6959	1	Diaphragm	81	127-2979	1	Guide
43	125-6960	1	Plate	82	127-2997	1	Guide-Valve
44	125-6961	1	Plate-Breather				

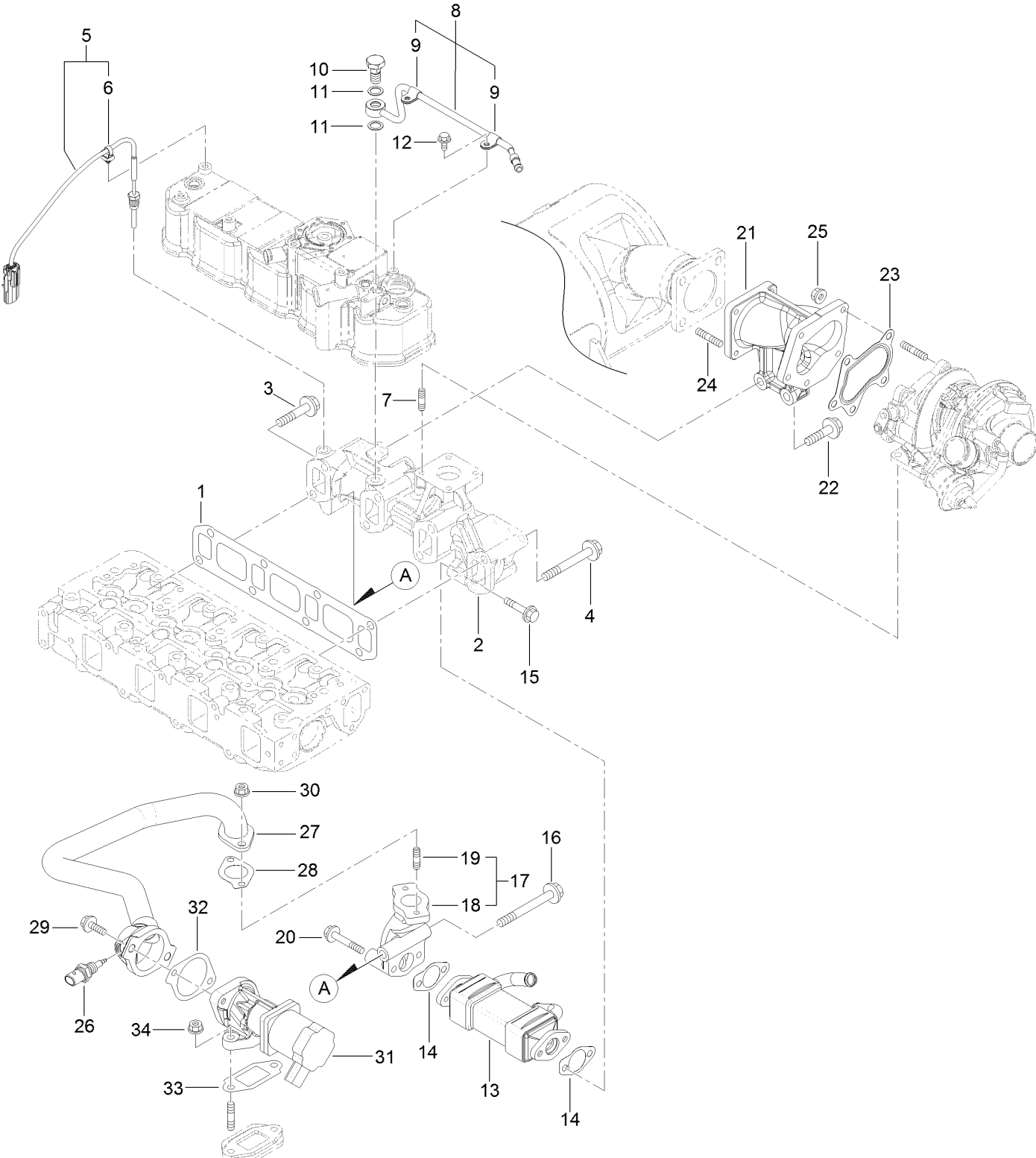
Suction Manifold Assembly



Suction Manifold Assembly (continued)

<i>Ref.</i>	<i>Part Number</i>	<i>Qty.</i>	<i>Description</i>	<i>Ref.</i>	<i>Part Number</i>	<i>Qty.</i>	<i>Description</i>
1	127-3107	1	Gasket-Manifold, Intake	18	127-3080	1	Joint-Hose
2	127-3135	1	Intake Manifold ASM	19	127-3081	1	Joint-Hose
3	127-3134	1	Manifold-Intake	20	127-3166	2	Washer-Seal
4	127-3180	4	Stud	21	127-3168	2	Screw
5	137-5167	1	Sensor-Temperature, Air	22	138-7831	2	Stud, M8X 35
6	125-7220	6	Bolt	23	127-3045	1	Spacer-Valve, E G R
7	127-3152	1	Duct-Suction	24	127-3046	1	Gasket-E G R
8	127-3096	1	Joint-Rubber	25	127-3178	1	Bolt
9	127-3153	1	Joint-Rubber	26	127-3178	1	Bolt
10	125-7189	1	Clamp-Hose	27	127-3182	3	Stud
11	127-3170	1	Clamp-Hose	28	125-7229	3	Nut
12	125-7190	1	Clamp-Hose	29	127-3035	1	Bend-Inlet
13	127-3171	1	Clamp-Hose	30	127-3036	1	Body-Throttle
14	127-3034	1	Gasket-Collector	31	127-3037	2	Gasket-Throttle
15	127-3093	1	Intake Collector ASM	32	125-7209	2	Bolt
16	127-3092	1	Collector-Intake	33	125-7211	4	Bolt
17	127-3139	1	Valve-Reed	34	127-3177	2	Bolt

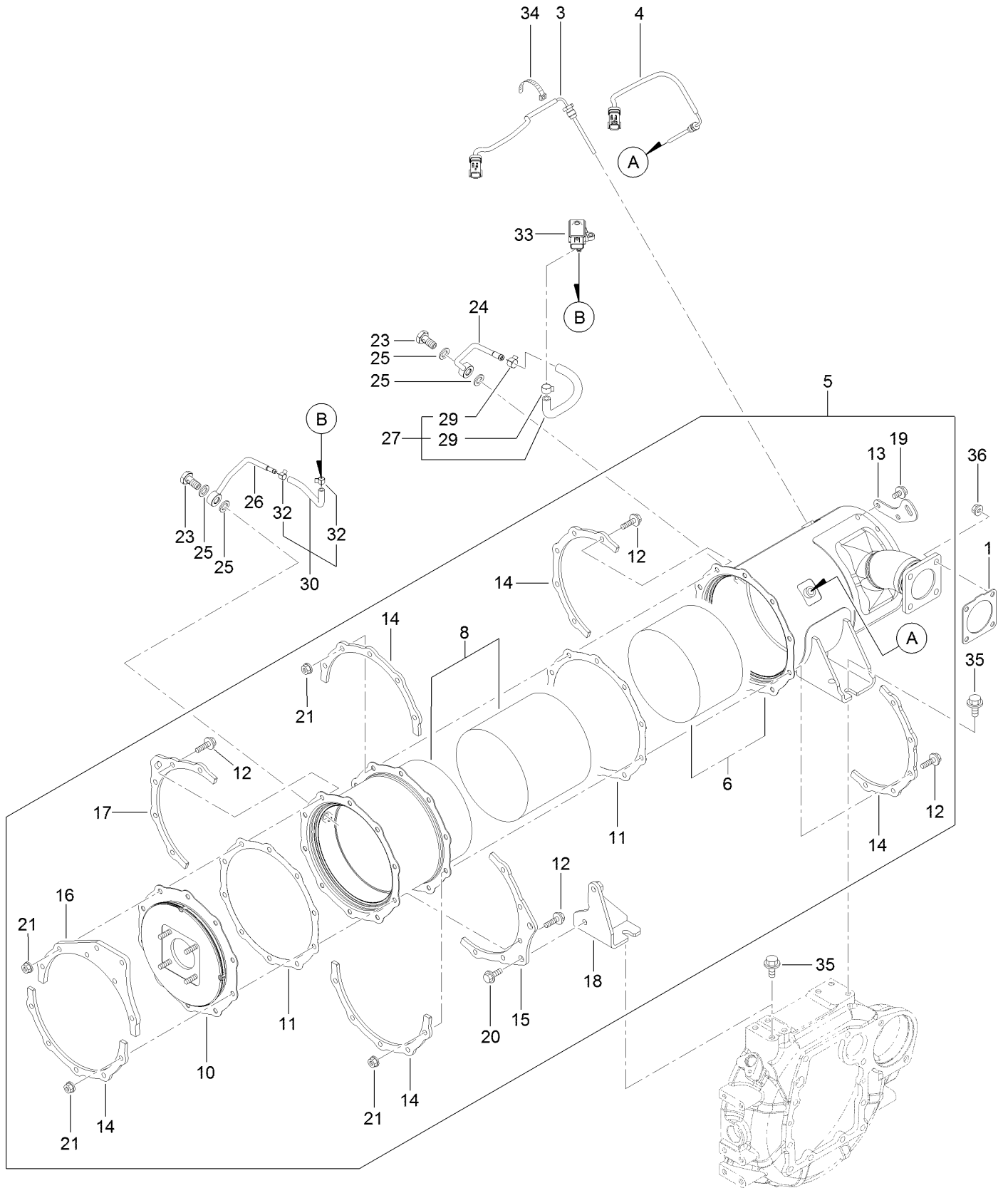
Exhaust Manifold Assembly



Exhaust Manifold Assembly (continued)

<i>Ref.</i>	<i>Part Number</i>	<i>Qty.</i>	<i>Description</i>	<i>Ref.</i>	<i>Part Number</i>	<i>Qty.</i>	<i>Description</i>
1	127-3108	1	Gasket-Manifold, Exhaust	18	127-3049	1	Pipe-Out, E G R
2	127-3136	1	Manifold-Exhaust	19	125-7043	2	Stud
3	135-4013	1	Bolt	20	125-7220	2	Bolt
4	135-4014	7	Bolt	21	138-7832	1	Pipe, Exhaust
5	127-3140	1	Sensor-Temp, Exhaust	22	133-6792	2	Bolt
6	127-3087	1	Band-Clip	23	125-7071	1	Gasket
7	125-7043	4	Stud	24	125-6906	4	Stud
8	127-3038	1	Exhaust Pipe ASM	25	125-7229	5	Nut
9	127-3173	2	Clamp	26	137-5168	1	Sensor-Gas Temp, E G R
10	127-3039	1	Bolt-Joint, Pipe	27	127-3109	1	E G R Pipe ASM
11	127-3174	2	Gasket	28	127-3016	1	Gasket
12	125-7206	2	Bolt	29	125-7215	2	Bolt
13	127-3042	1	Cooler-E G R	30	125-7229	2	Nut
14	127-3043	2	Gasket-Cooler, E G R	31	127-3110	1	Valve-E G R
15	135-4015	2	Bolt	32	127-3050	1	Gasket-Intake Valve, E G R
16	135-4016	1	Bolt	33	127-3051	1	Gasket-Out Valve, E G R
17	127-3048	1	E G R Pipe ASM	34	125-7229	2	Nut

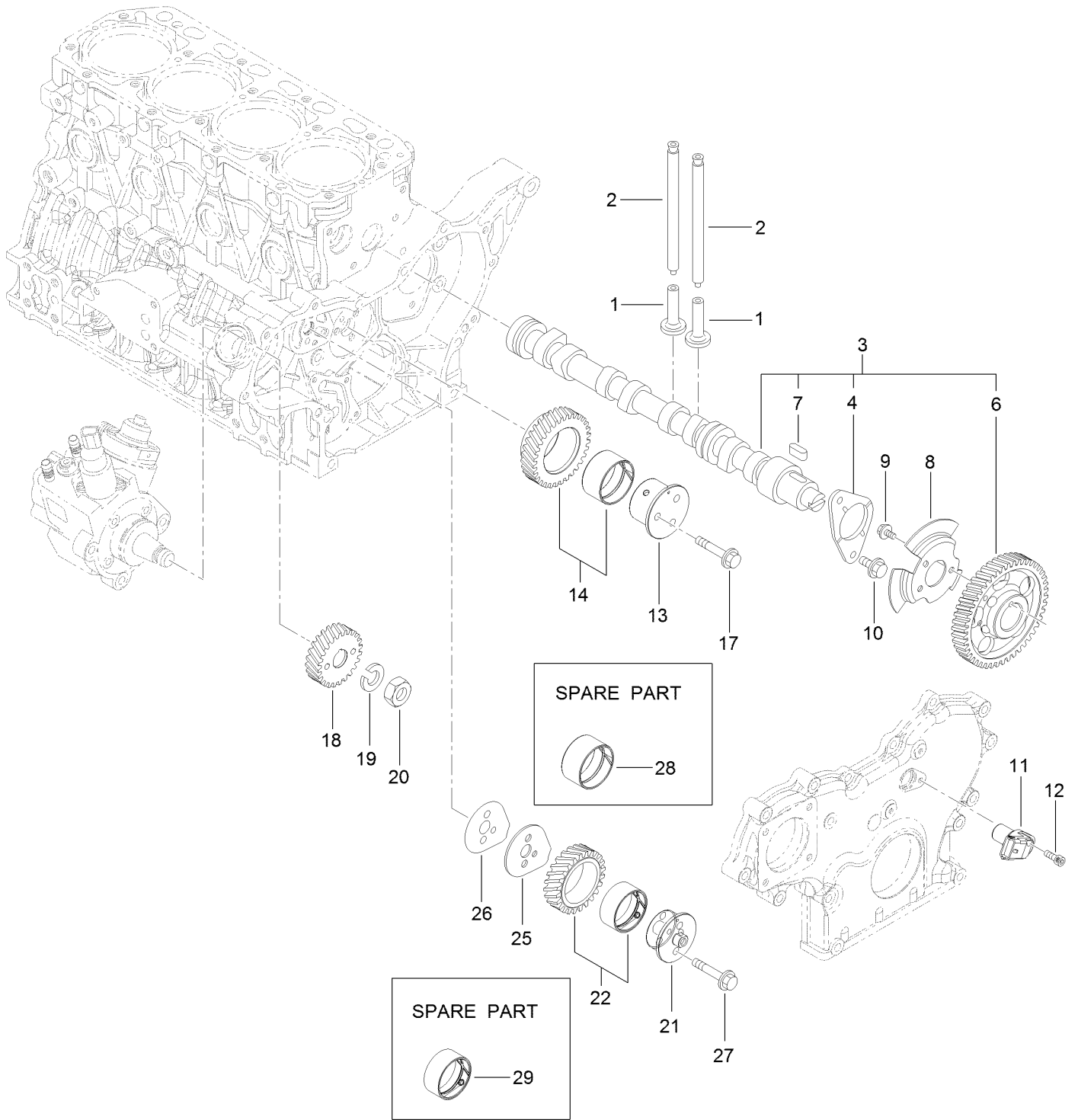
Diesel Particulate Filter Assembly



Diesel Particulate Filter Assembly (continued)

<i>Ref.</i>	<i>Part Number</i>	<i>Qty.</i>	<i>Description</i>	<i>Ref.</i>	<i>Part Number</i>	<i>Qty.</i>	<i>Description</i>
1	127-3019	1	Gasket	19	125-7213	2	Bolt
3	127-4764	1	Sensor-Temp, Exhaust	20	131-2740	2	Bolt
4	127-4765	1	Sensor-Temp, Exhaust	21	125-7229	20	Nut
5	138-7833	1	D P F ASM	23	127-3039	2	Bolt-Joint, Pipe
6	138-7834	1	Case-Doc	24	127-3164	1	Exhaust Pressure Pipe ASM
8	137-5170	1	Case-Filter, Soot	25	127-3056	4	Gasket-Sensor
10	127-3143	1	Flange-Outlet	26	127-3165	1	Exhaust Pressure Pipe ASM
11	127-3162	2	Gasket-D P F	27	138-8256	1	Exhaust Hose ASM
12	127-3055	20	Bolt	29	127-3057	2	Clip-Hose
13	127-3144	1	Lifter-D P F	30	138-8257	1	Exhaust Press Hose ASM
14	127-3145	5	Stiffener-D P F, A	32	127-3058	2	Clip-Hose
15	137-5171	1	Stiffener-D P F, B	33	127-3060	1	Sensor-Pressure
16	137-5172	1	Stiffener-D P F, C	34	127-3124	1	Band
17	127-3147	1	Stiffener-D P F, C	35	130-7444	4	Bolt
18	138-7835	1	Stay, Dpf	36	125-7229	4	Nut

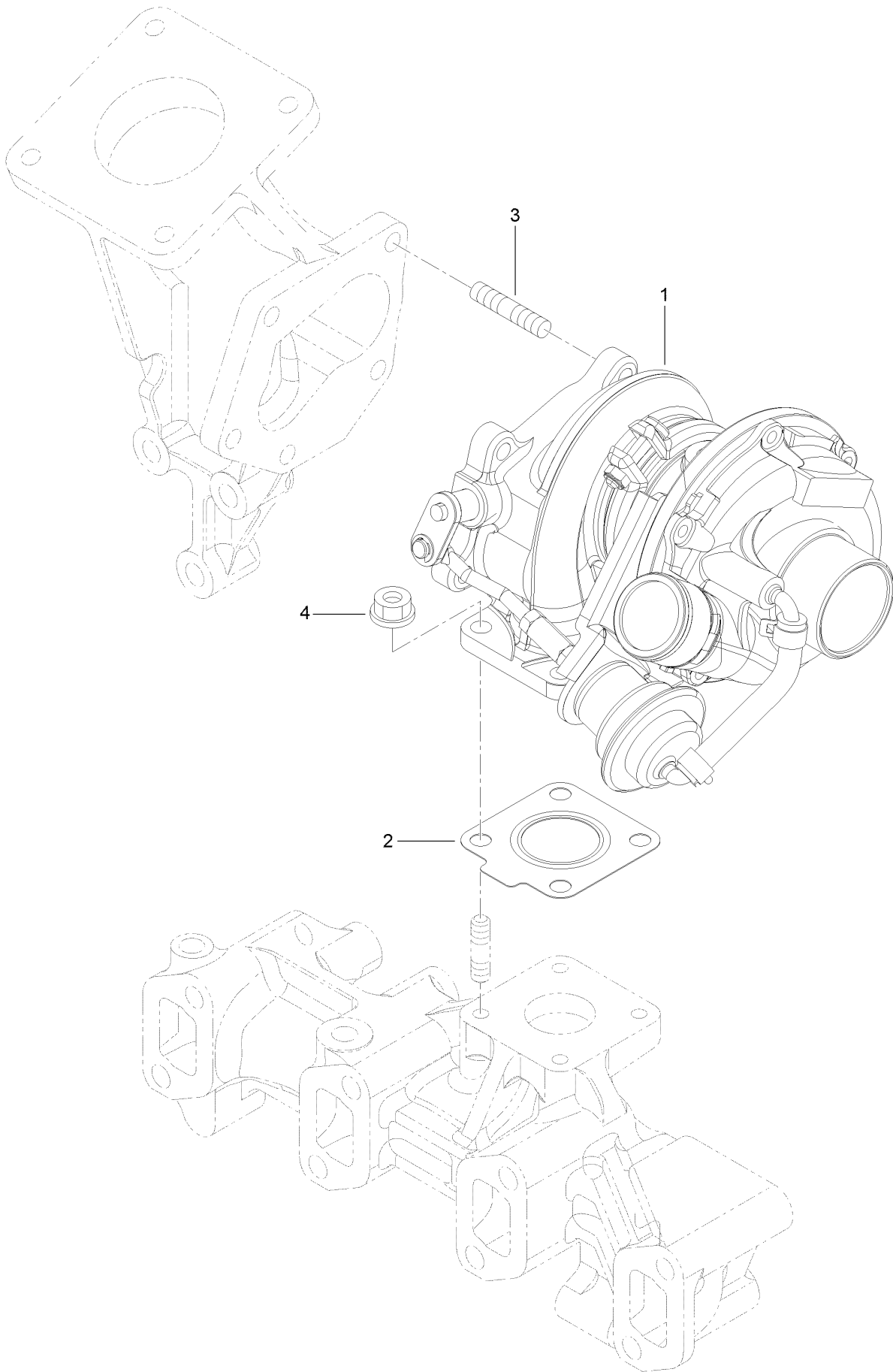
Camshaft and Driving Gear Assembly



Camshaft and Driving Gear Assembly (continued)

<i>Ref.</i>	<i>Part Number</i>	<i>Qty.</i>	<i>Description</i>	<i>Ref.</i>	<i>Part Number</i>	<i>Qty.</i>	<i>Description</i>
1	125-7016	8	Tappet	14	127-3066	1	Idle Gear A ASM
2	125-7017	8	Rod-Push	17	125-7219	3	Bolt
3	127-3113	1	Camshaft ASM	18	127-3070	1	Gear-Pump, Supply
4	125-7008	1	Metal-Thrust	19	127-3167	1	Washer-Spring
6	127-3052	1	Gear-Camshaft	20	127-3185	1	Nut-Lock
7	125-7185	1	Key	21	127-3064	1	Shaft-Idle, Gear B
8	127-3053	1	Pulser-Camshaft	22	127-3067	1	Idle Gear B ASM
9	125-7205	3	Bolt	25	127-3068	1	Plate-Idle, Shaft
10	125-7213	2	Bolt	26	127-3069	1	Gasket-Idle, Shaft B
11	127-3054	1	Sensor-Rev, Gear	27	125-7218	2	Bolt
12	127-3184	1	Bolt	28	125-6927	1	Bushing
13	127-3063	1	Shaft-Idle, Gear A	29	127-3065	1	Bushing

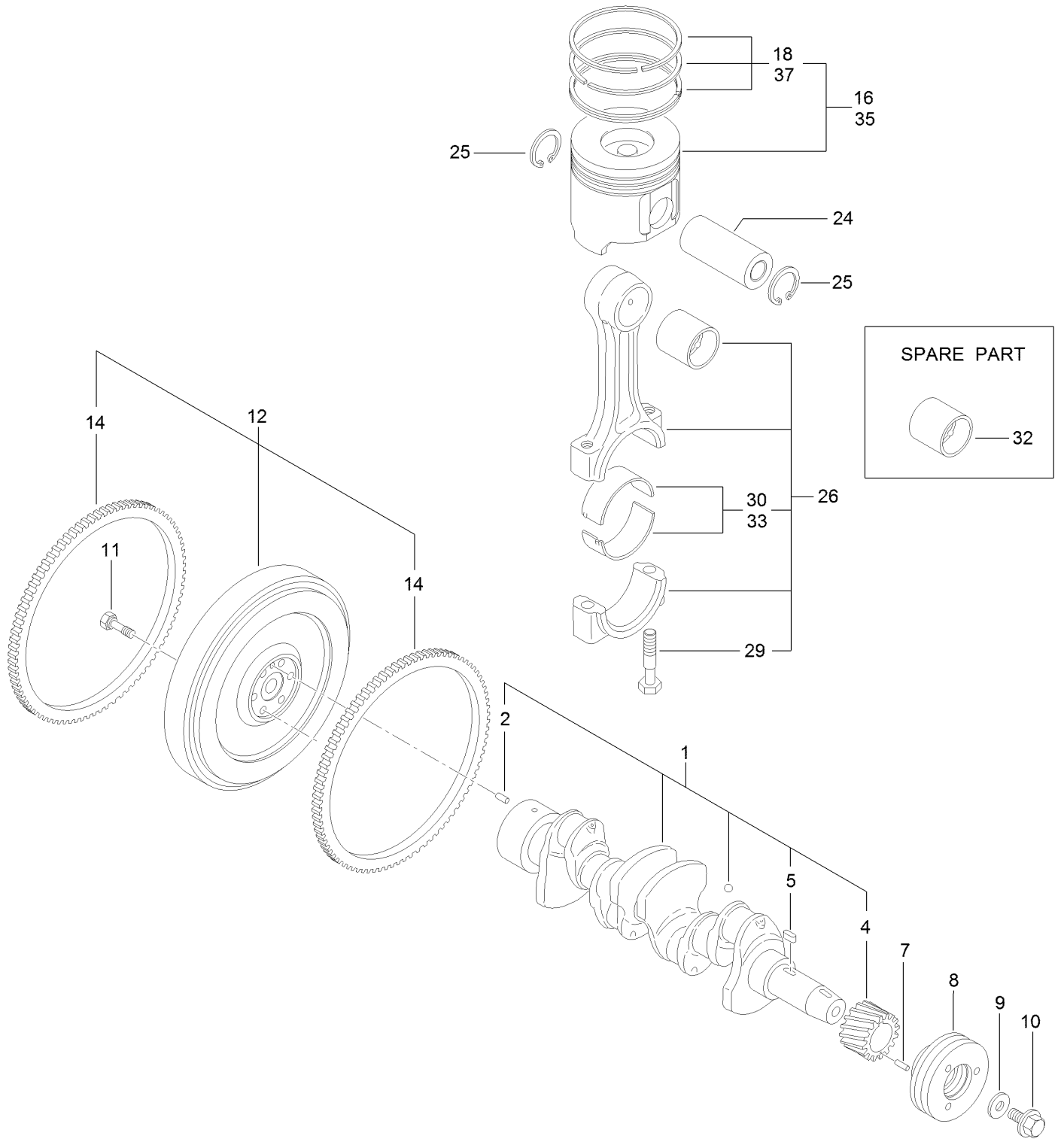
Turbine Assembly



Turbine Assembly (continued)

<i>Ref.</i>	<i>Part Number</i>	<i>Qty.</i>	<i>Description</i>	<i>Ref.</i>	<i>Part Number</i>	<i>Qty.</i>	<i>Description</i>
1	138-7836	1	Turbocharger	3	125-6906	5	Stud
2	125-7070	1	Gasket	4	125-7229	4	Nut

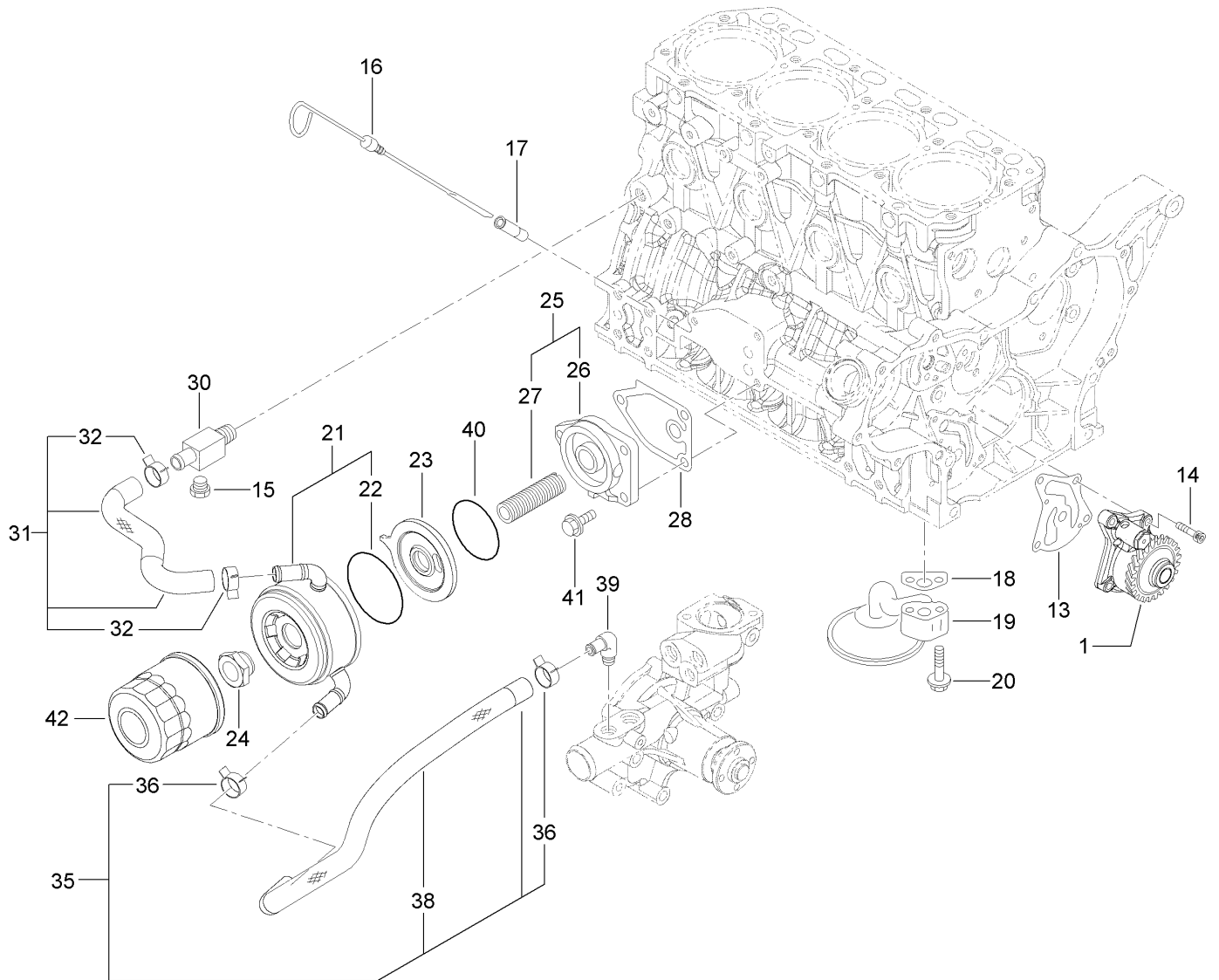
Crankshaft and Piston Assembly



Crankshaft and Piston Assembly (continued)

<i>Ref.</i>	<i>Part Number</i>	<i>Qty.</i>	<i>Description</i>	<i>Ref.</i>	<i>Part Number</i>	<i>Qty.</i>	<i>Description</i>
1	125-7091	1	Crankshaft ASM	16	127-3097	4	Piston ASM
2	125-6995	1	Pin	18	127-3098	4	Piston Ring ASM
4	125-6937	1	Gear	24	125-7030	4	Pin
5	125-7185	1	Key	25	125-7180	8	Ring
7	125-7182	1	Pin-Spring	26	125-7242	4	Connecting Rod ASM
8	125-6925	1	V-Pulley	29	125-6955	8	Bolt
9	125-7109	1	Washer	30	125-7018	4	Pin-Crank
10	125-6956	1	Bolt	32	125-6997	4	Pin-Piston
11	125-6951	6	Bolt	33	125-7019	4	Pin-Crank (.25)
12	127-3160	1	Flywheel ASM	35	127-3099	4	Piston ASM (0.25 O.S.)
14	125-6943	1	Gear	37	127-3100	4	Piston Ring ASM (0.25 O.S.)

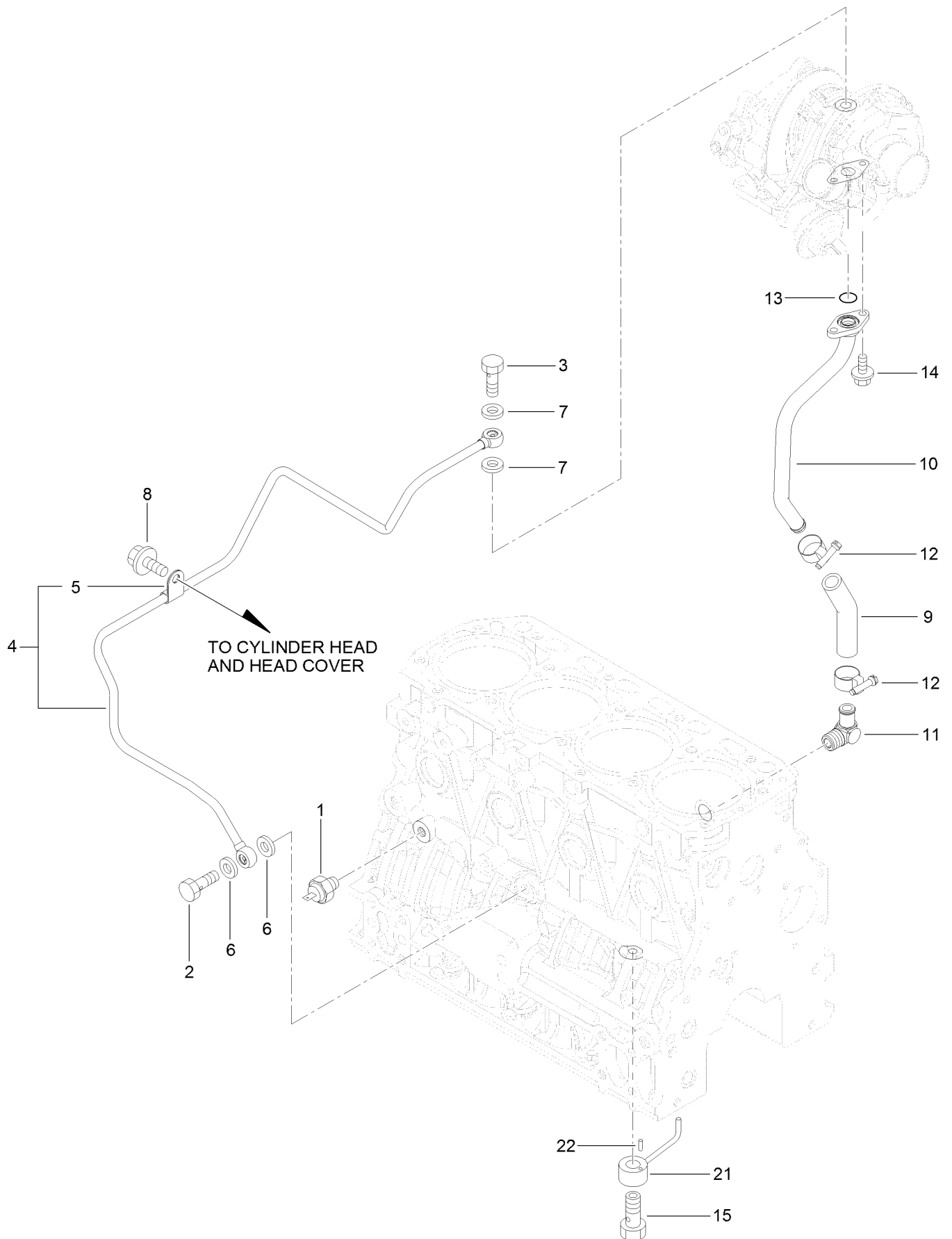
Lubrication and Oil System Assembly



Lubrication and Oil System Assembly (continued)

<i>Ref.</i>	<i>Part Number</i>	<i>Qty.</i>	<i>Description</i>	<i>Ref.</i>	<i>Part Number</i>	<i>Qty.</i>	<i>Description</i>
1	127-3101	1	Oil Lube Pump ASM	26	125-6930	1	Bracket
13	127-3004	1	Gasket	27	127-3010	1	Stud
14	125-7232	4	Bolt	28	125-7024	1	Gasket
15	125-7171	1	Plug-Drain	30	125-6990	1	Joint
16	125-6987	1	Dipstick	31	127-3102	1	Pipe-Cooling, Water
17	125-6954	1	Guide-Dipstick	32	125-7162	2	Clip
18	125-7022	1	Gasket	35	127-3103	1	Hose-Cooling, Water
19	138-7837	1	Pipe Assy, Oil Inlet	36	125-7162	2	Clip
20	138-7838	2	Bolt, M8X 55 Plated	38	127-3007	1	Tube
21	127-3014	1	Cooler ASM	39	125-7001	1	Elbow
22	127-2985	1	O-Ring	40	127-3176	1	O-Ring
23	138-7839	1	Bracket, Cooler	41	125-7595	3	Bolt
24	125-7041	1	Nut-Cooler, Oil	42	125-7025	1	Filter-Engine, Oil
25	127-3009	1	Bracket ASM				

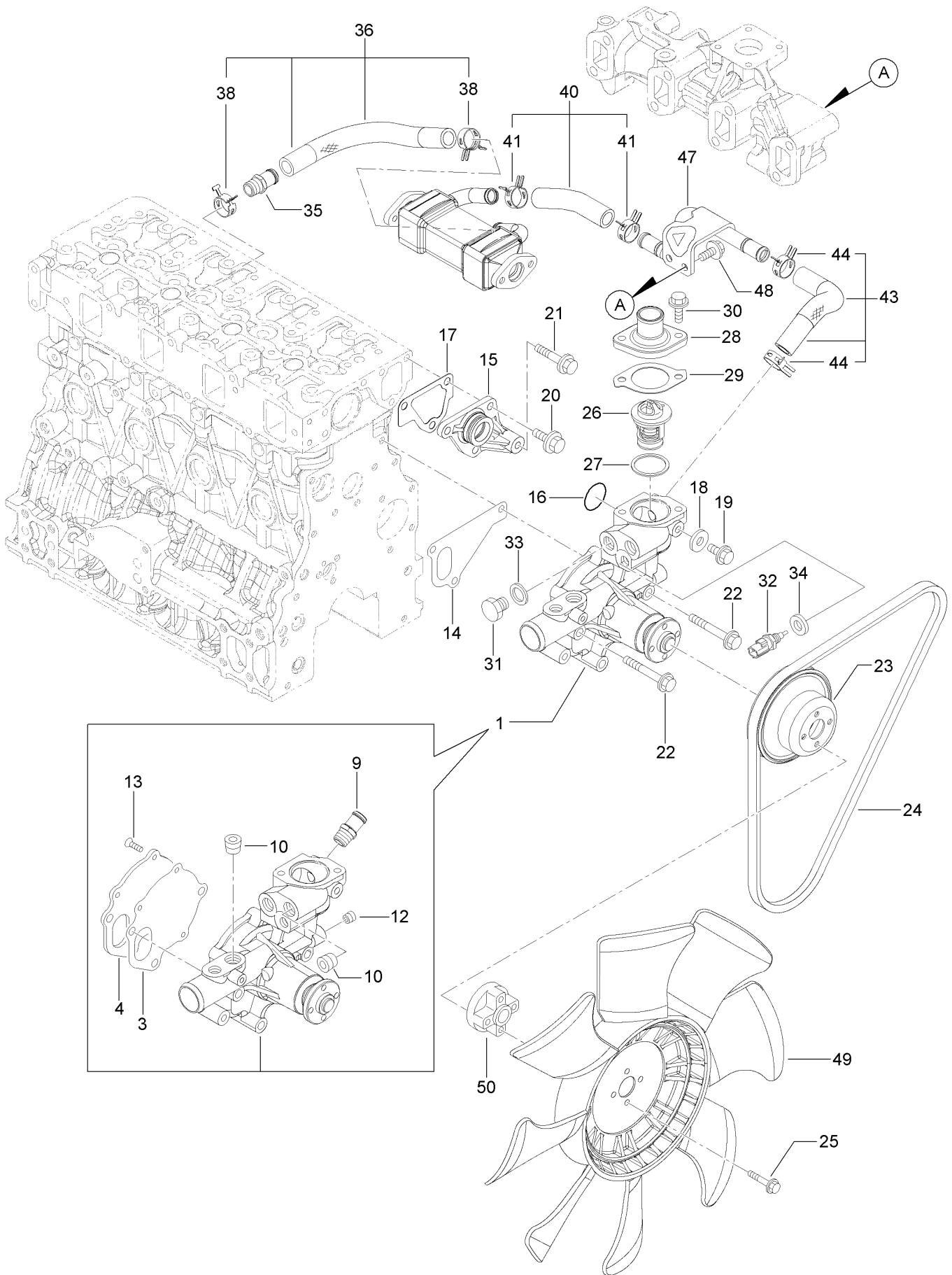
Lubrication Oil Pipe Assembly



Lubrication Oil Pipe Assembly (continued)

<i>Ref.</i>	<i>Part Number</i>	<i>Qty.</i>	<i>Description</i>	<i>Ref.</i>	<i>Part Number</i>	<i>Qty.</i>	<i>Description</i>
1	125-6918	1	Switch-Oil	10	127-3155	1	Pipe-Lube, Oil
2	125-6975	1	Bolt-Joint, Pipe	11	127-3003	1	Elbow
3	125-6952	1	Bolt-Joint, Pipe	12	127-3169	2	Clamp-Hose
4	127-3154	1	Lube Oil Pipe ASM	13	125-7198	1	O-Ring
5	125-6976	1	Retainer	14	125-7206	2	Bolt
6	125-7175	2	Washer-Seal	15	125-7105	4	Check Valve ASM
7	125-7193	2	Gasket	21	125-7098	4	Nozzle
8	138-7840	1	Bolt	22	125-7182	4	Pin-Spring
9	127-2992	1	Joint				

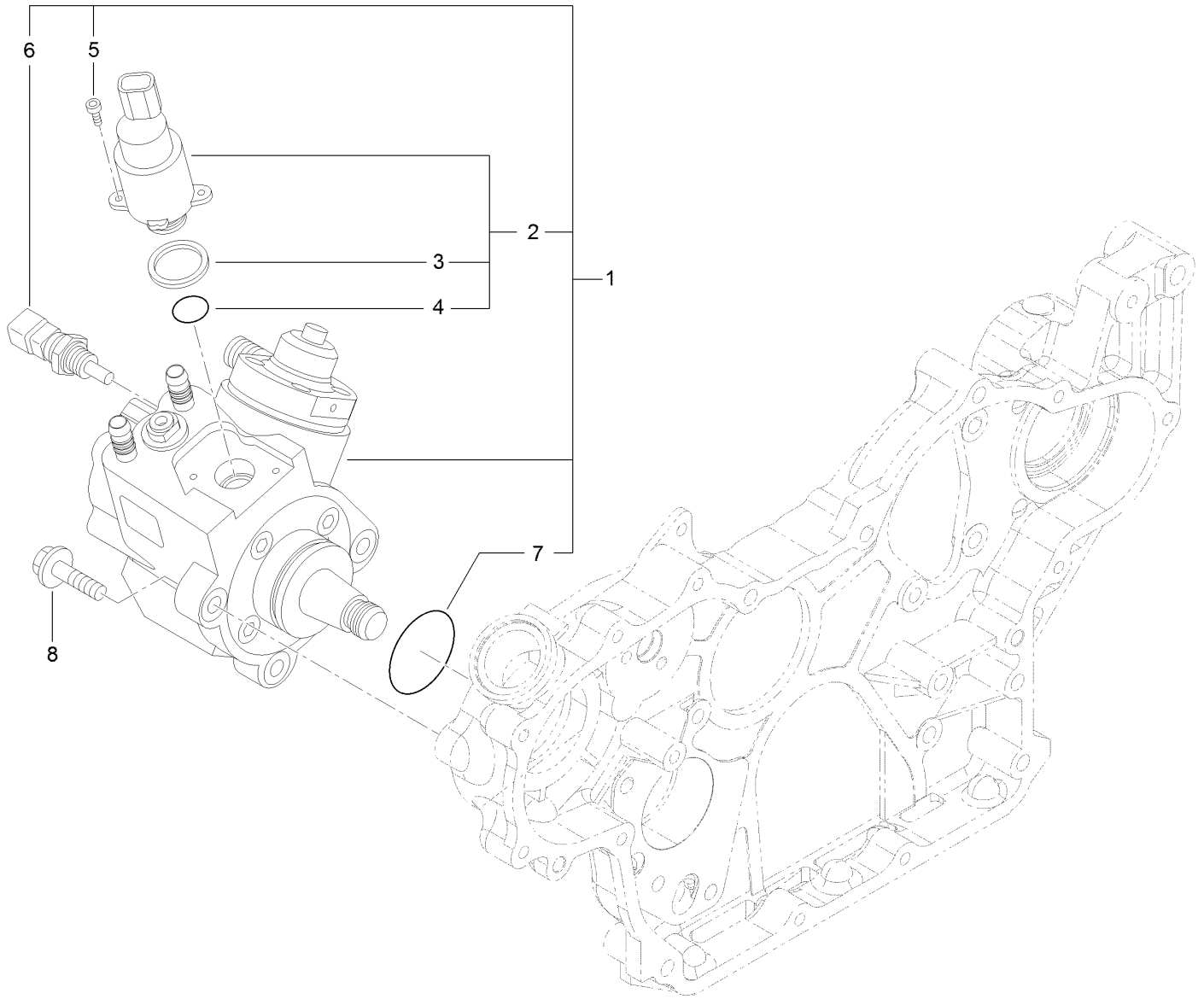
Cooling Water System Assembly



Cooling Water System Assembly (continued)

<i>Ref.</i>	<i>Part Number</i>	<i>Qty.</i>	<i>Description</i>	<i>Ref.</i>	<i>Part Number</i>	<i>Qty.</i>	<i>Description</i>
1	131-2714	1	Water Pump ASM	27	125-7026	1	Gasket
3	125-6998	1	Gasket	28	125-7034	1	Cover
4	125-6999	1	Plate	29	125-7110	1	Gasket
9	127-3017	1	Joint	30	125-7594	2	Bolt
10	125-7123	2	Plug	31	125-6953	1	Plug
12	125-7195	1	Plug	32	125-7124	1	Sensor-Thermostat, CW
13	125-7234	3	Screw	33	125-6979	1	Gasket
14	125-7047	1	Gasket	34	125-7176	1	Washer-Seal
15	125-6986	1	Joint	35	127-3017	1	Joint
16	125-7048	1	O-Ring	36	127-3072	1	Water In Pipe ASM
17	125-6978	1	Gasket	38	127-3020	2	Clip-Hose
18	125-7192	1	Gasket	40	127-3115	1	Water Out Pipe ASM
19	138-7840	1	Bolt	41	127-3020	2	Clip-Hose
20	125-7214	3	Bolt	43	127-3116	1	Water Out Pipe ASM
21	125-7219	1	Bolt	44	127-3020	2	Clip-Hose
22	125-7222	3	Bolt	47	138-7841	1	Water Pipe ASM
23	125-7039	1	V-Pulley	48	125-7214	2	Bolt
24	127-4771	1	V-Belt	49	127-3809	1	Fan
25	125-7211	4	Bolt	50	127-4768	1	Spacer
26	125-7029	1	Thermostat				

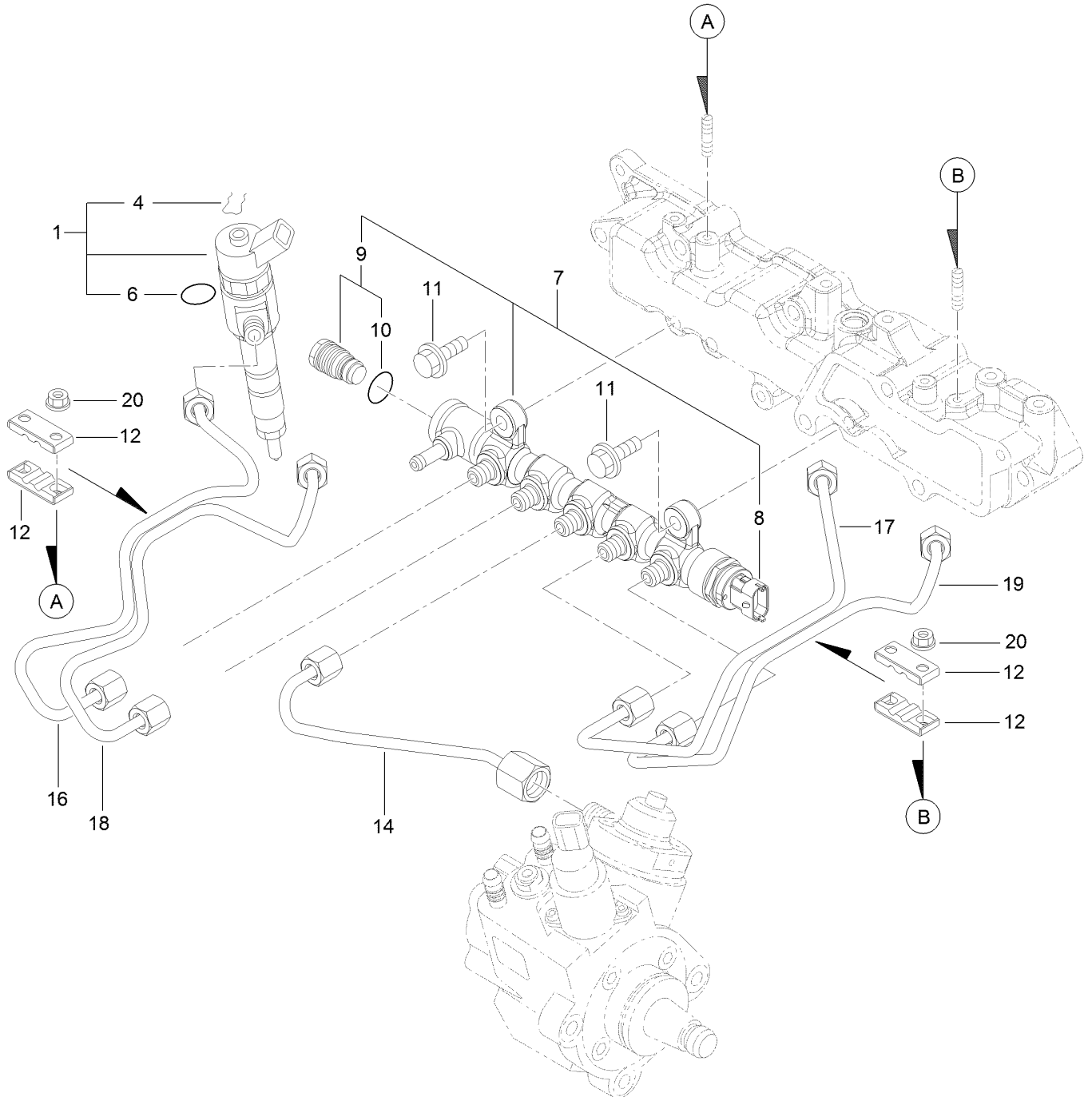
Fuel Supply Pump Assembly



Fuel Supply Pump Assembly (continued)

<i>Ref.</i>	<i>Part Number</i>	<i>Qty.</i>	<i>Description</i>	<i>Ref.</i>	<i>Part Number</i>	<i>Qty.</i>	<i>Description</i>
1	127-3073	1	Fuel Pump ASM	5	131-2107	2	Bolt
2	131-2103	1	Valve ASM	6	131-2108	1	Sensor-Temperature
3	131-2105	1	Ring-Sealing	7	127-3074	1	O-Ring
4	131-2106	1	O-Ring	8	125-7216	3	Bolt

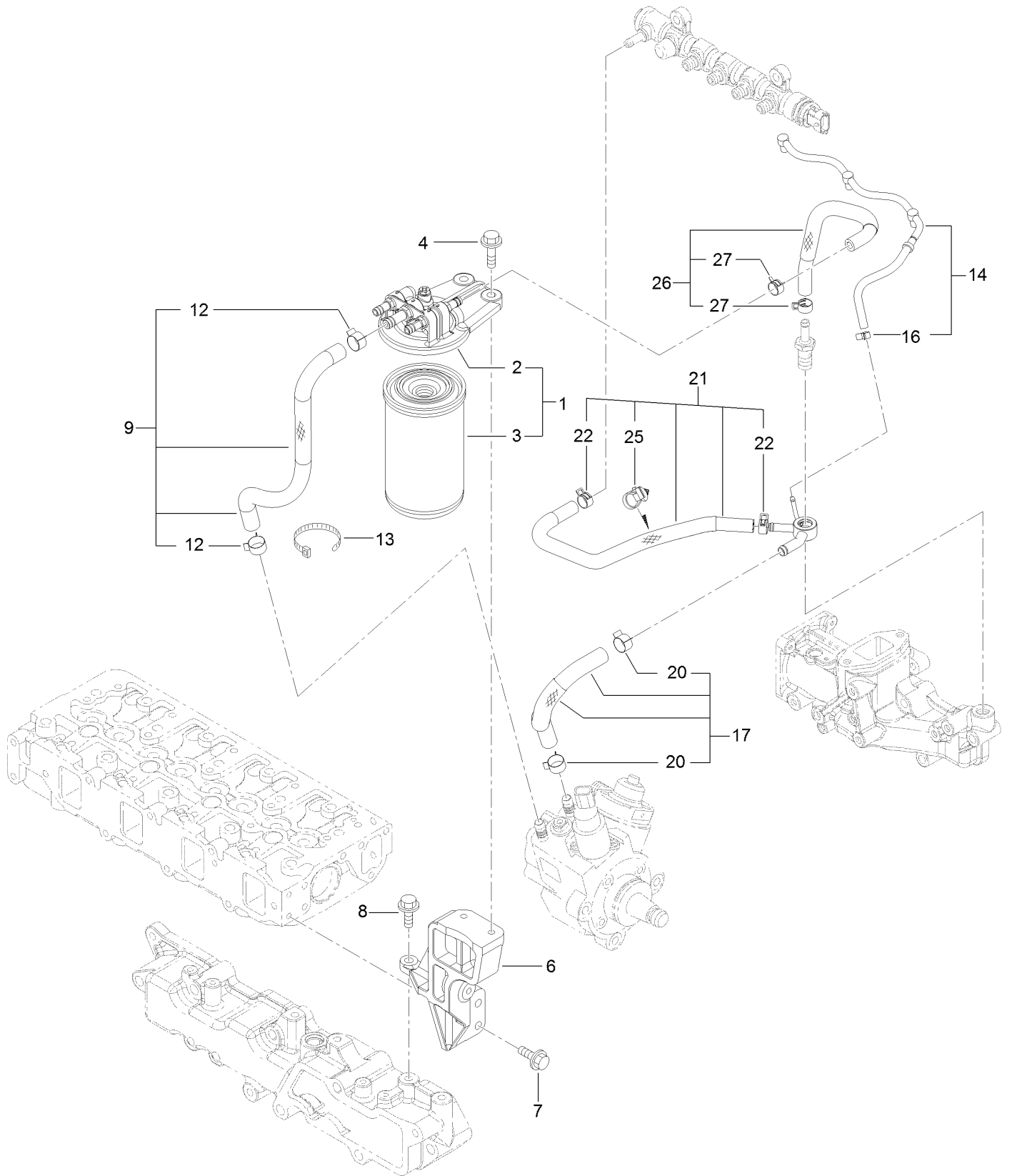
Fuel Injection Valve Assembly



Fuel Injection Valve Assembly (continued)

<i>Ref.</i>	<i>Part Number</i>	<i>Qty.</i>	<i>Description</i>	<i>Ref.</i>	<i>Part Number</i>	<i>Qty.</i>	<i>Description</i>
1	127-3104	4	Injector ASM	12	127-2982	4	Retainer
4	130-7430	4	Ring-Retaining	14	127-3082	1	Rail In Pipe ASM
6	137-5173	4	O-Ring	16	127-3121	1	Injection Pipe ASM
7	127-3118	1	Rail ASM	17	127-3083	1	Injection Pipe ASM
8	131-2709	1	Sensor-Pressure, Rail	18	127-3122	1	Injection Pipe ASM
9	131-2710	1	Valve ASM	19	127-3084	1	Injection Pipe ASM
10	131-2711	1	O-Ring	20	125-7231	4	Nut
11	125-7215	2	Bolt				

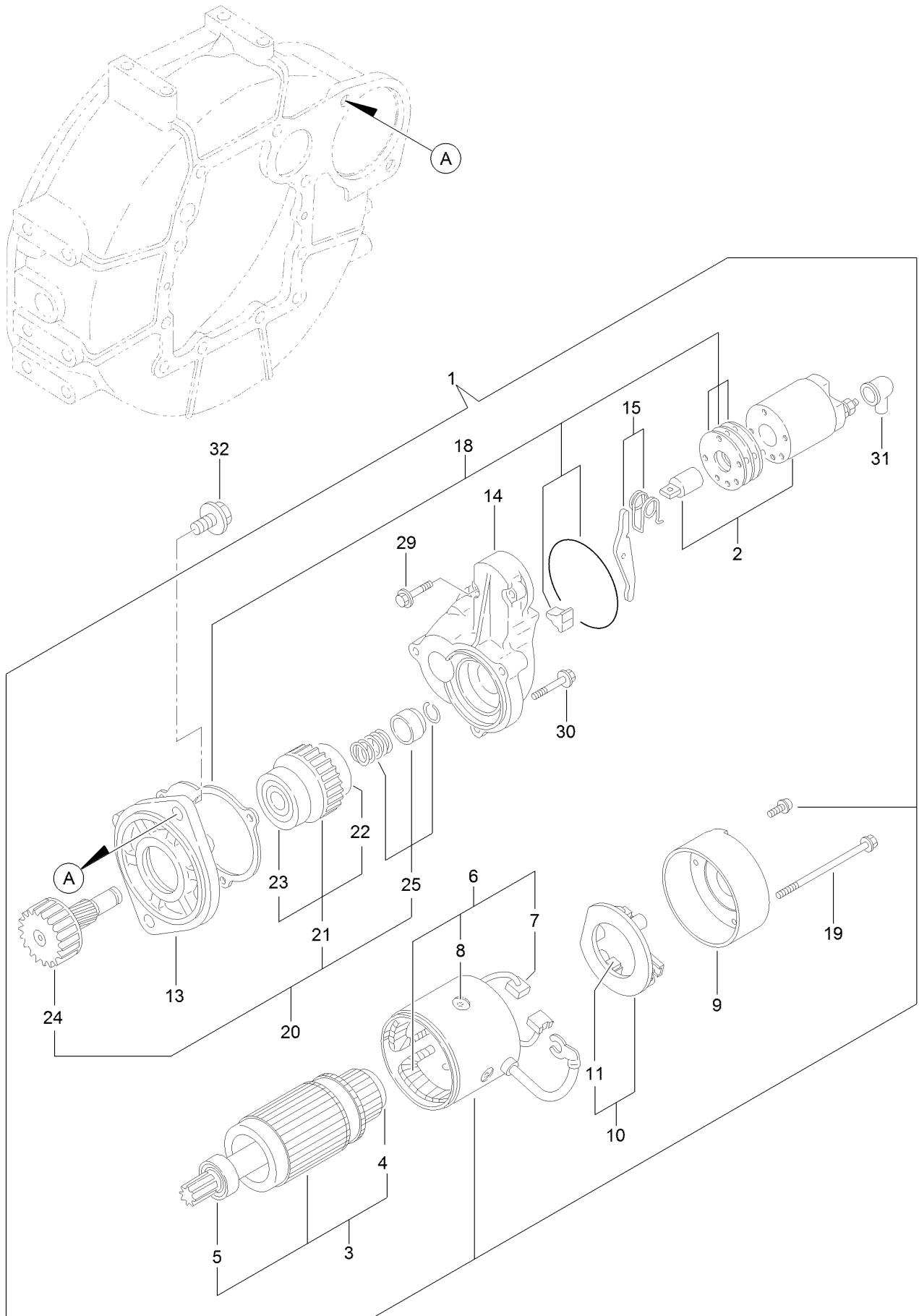
Fuel Pipe Assembly



Fuel Pipe Assembly (continued)

<i>Ref.</i>	<i>Part Number</i>	<i>Qty.</i>	<i>Description</i>	<i>Ref.</i>	<i>Part Number</i>	<i>Qty.</i>	<i>Description</i>
1	127-3075	1	Fuel/Oil Filter ASM	14	138-7845	1	Return Pipe ASM
2	127-3076	1	Fuel/Oil Filter Bracket ASM	16	127-3172	1	Clamp-Hose
3	125-8752	1	Filter-Fuel/Oil	17	127-3078	1	Fuel Pipe ASM
4	125-7216	2	Bolt	20	125-7191	2	Clamp-Hose
6	127-3815	1	Filter Bracket ASM	21	127-3119	1	Fuel Pipe ASM
7	125-7595	2	Bolt	22	127-2950	2	Clip-Hose
8	125-7215	1	Bolt	25	127-3087	1	Band-Clip
9	127-3077	1	Fuel Pipe ASM	26	127-3079	1	Fuel Pipe ASM
12	125-7191	2	Clamp-Hose	27	127-2950	2	Clip-Hose
13	127-2981	1	Band				

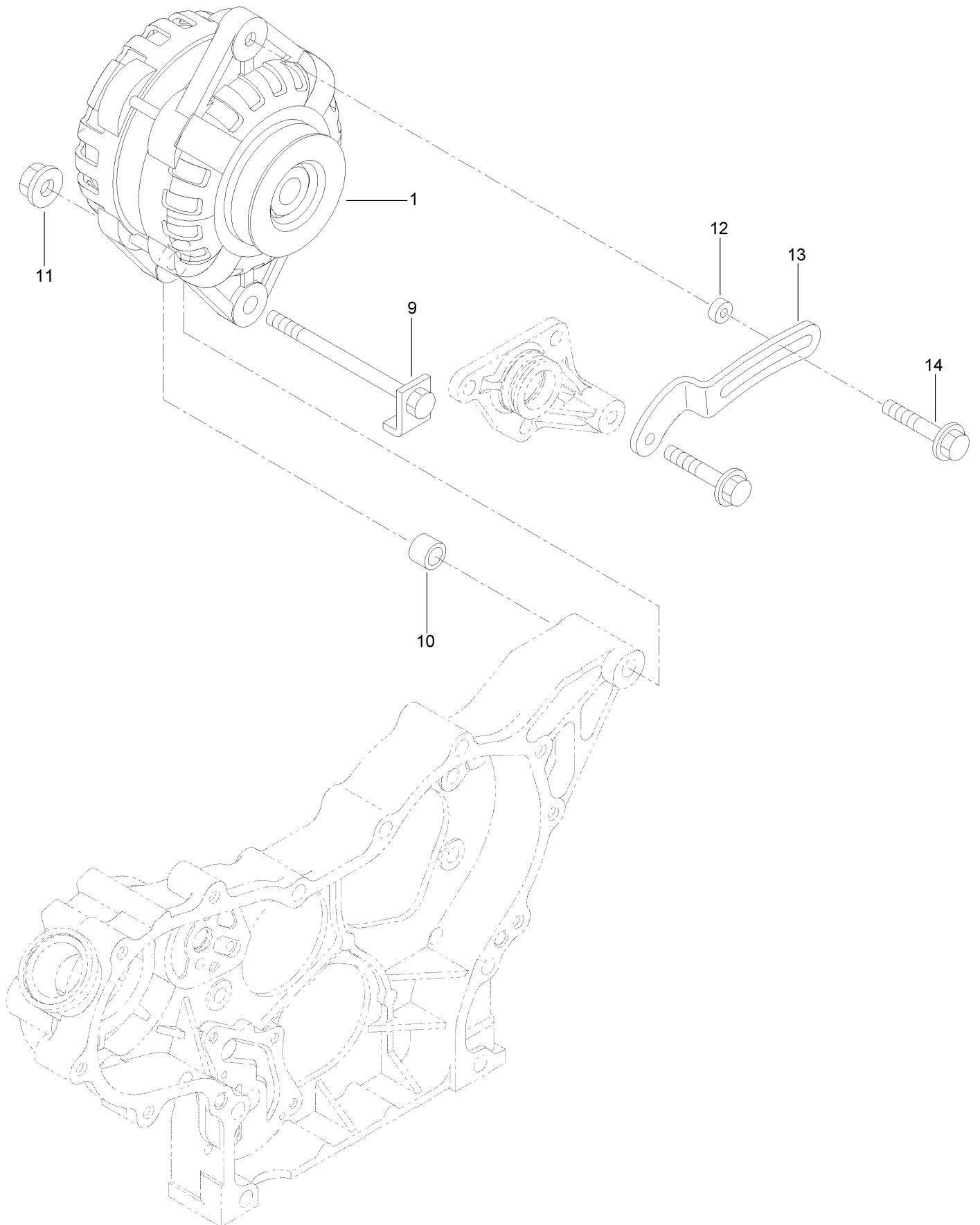
Starter Motor Assembly



Starter Motor Assembly (continued)

<i>Ref.</i>	<i>Part Number</i>	<i>Qty.</i>	<i>Description</i>	<i>Ref.</i>	<i>Part Number</i>	<i>Qty.</i>	<i>Description</i>
1	125-7003	1	Starter	15	125-7165	1	Lever Set
2	125-7004	1	Switch ASM	18	125-7037	1	Dust Cover ASM
3	125-7112	1	Armature ASM	19	125-7117	2	Bolt-Through
4	138-7846	1	Bearing-Ball	20	125-7166	1	Pinion ASM
5	138-7847	1	Bearing-Ball	21	125-7250	1	Clutch ASM
6	125-7113	1	Field Coil ASM	22	125-7251	1	Bearing-Ball
7	125-7114	2	Brush	23	138-7850	1	Bearing-Ball
8	138-7848	4	Screw-Set	24	125-7167	1	Shaft
9	125-7115	1	Cover	25	125-7168	1	Stopper Set
10	125-7116	1	Brush Holder ASM	29	125-7210	2	Bolt
11	138-7849	2	Brush	30	125-7211	3	Bolt
13	125-7164	1	Case-Gear	31	125-7169	1	Cover
14	125-7005	1	Housing	32	125-7225	2	Bolt

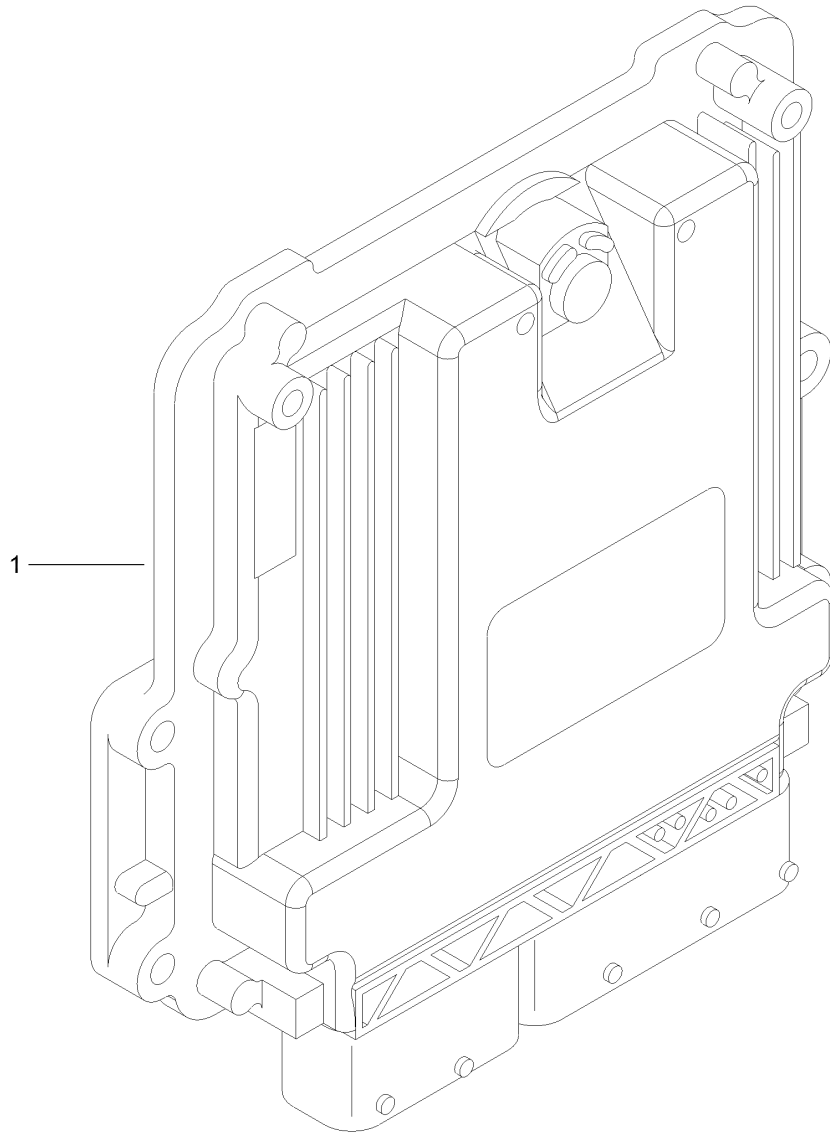
Generator Assembly



Generator Assembly (continued)

<i>Ref.</i>	<i>Part Number</i>	<i>Qty.</i>	<i>Description</i>	<i>Ref.</i>	<i>Part Number</i>	<i>Qty.</i>	<i>Description</i>
1	125-7120	1	Alternator-12V	12	138-7852	1	Spacer-Alternator
9	125-7121	1	Bolt-Stopper	13	138-7853	1	Adjuster-Belt
10	138-7851	1	Piece-Distance	14	135-4027	1	Bolt-Adjust
11	125-7230	1	Nut				

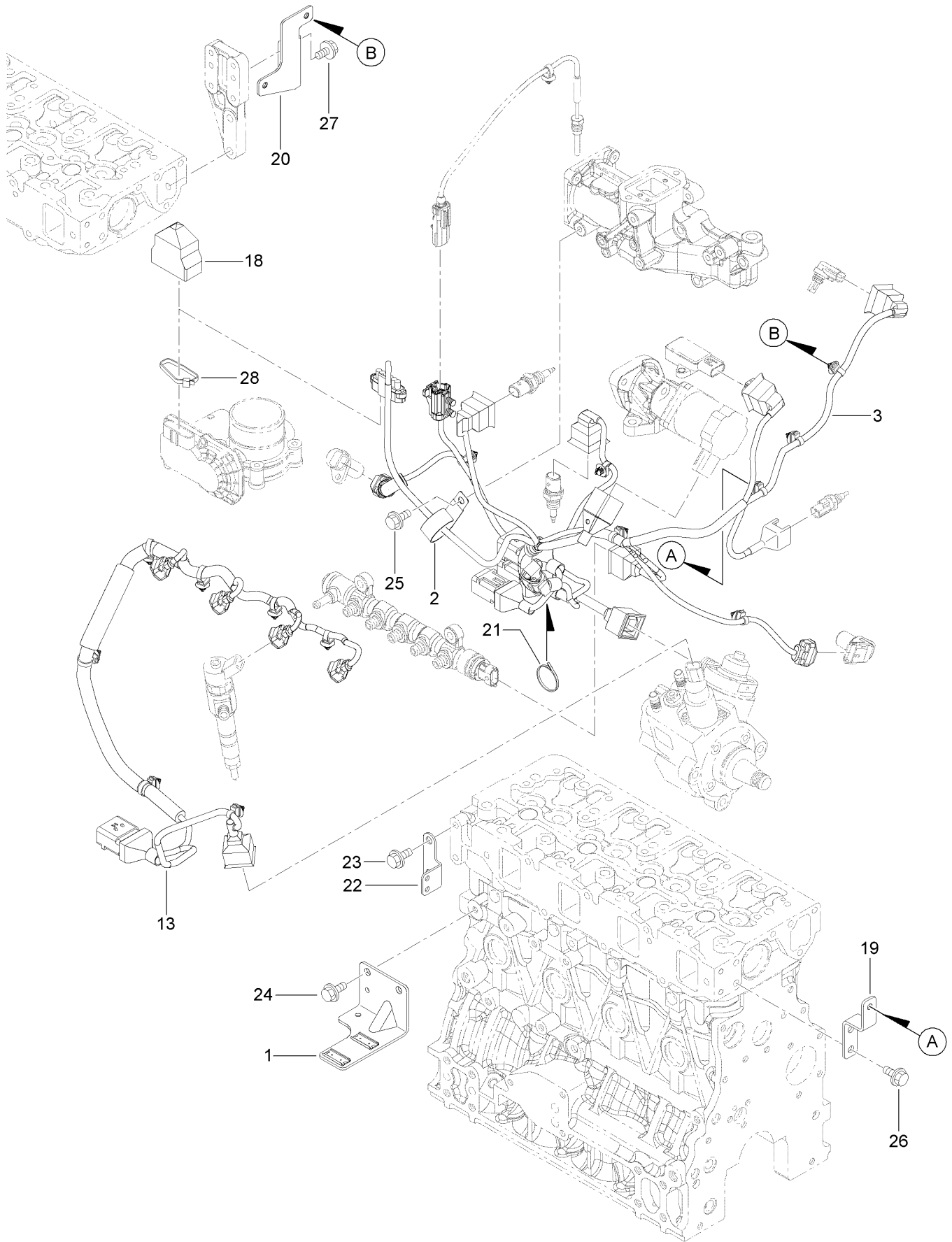
Electronic Control Unit Assembly



Electronic Control Unit Assembly (continued)

<i>Ref.</i>	<i>Part Number</i>	<i>Qty.</i>	<i>Description</i>
1	121-5592	1	Electronic Control Unit

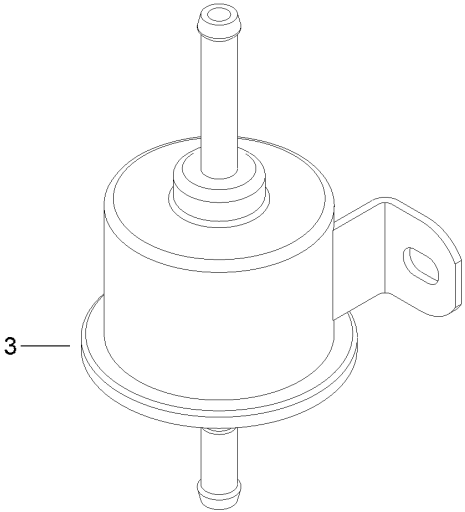
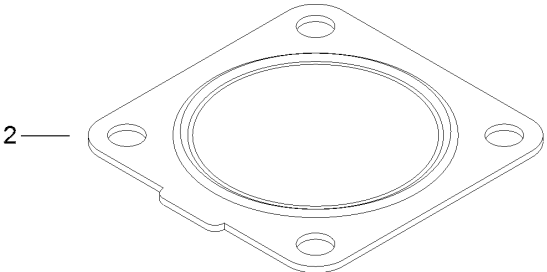
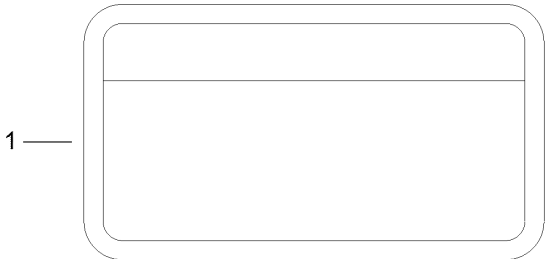
Electric Parts Assembly



Electric Parts Assembly (continued)

<i>Ref.</i>	<i>Part Number</i>	<i>Qty.</i>	<i>Description</i>	<i>Ref.</i>	<i>Part Number</i>	<i>Qty.</i>	<i>Description</i>
1	127-3086	1	Bracket-Connector	22	127-3090	1	Bracket-Harness
2	127-3018	1	Clip	23	125-7212	7	Bolt
3	138-7855	1	Harness B	24	125-7212	2	Bolt
13	127-3125	1	Harness C	25	125-7212	1	Bolt
18	131-2713	1	Boot-Cap	26	125-7212	2	Bolt
19	127-3852	1	Bracket-Harness	27	138-7857	2	Bolt
20	138-7856	1	Bracket-Harness	28	127-3188	1	Band
21	127-3187	1	Band				

Miscellaneous Engine Parts

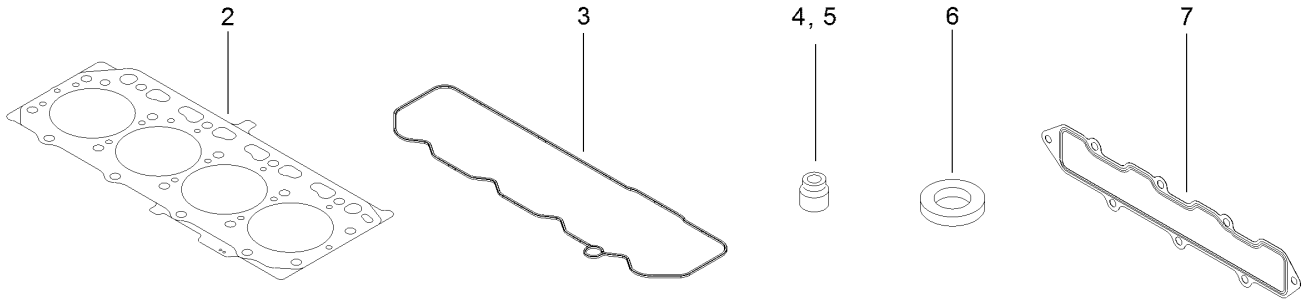


Miscellaneous Engine Parts (continued)

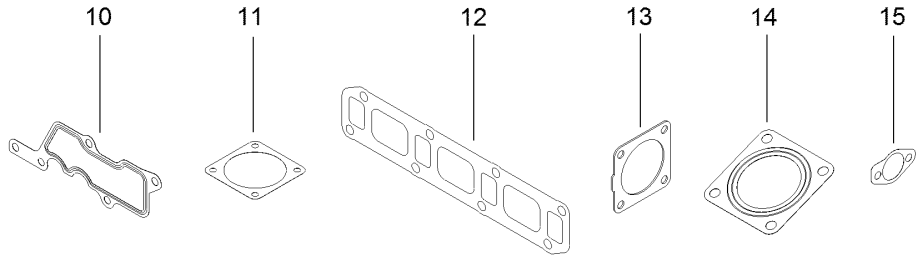
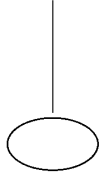
<i>Ref.</i>	<i>Part Number</i>	<i>Qty.</i>	<i>Description</i>
1	125-6900	1	Label-Caution, Fuel Oil
2	127-3019	1	Gasket
3	121-5613	1	Pump-Fuel, Electric

Gasket Set

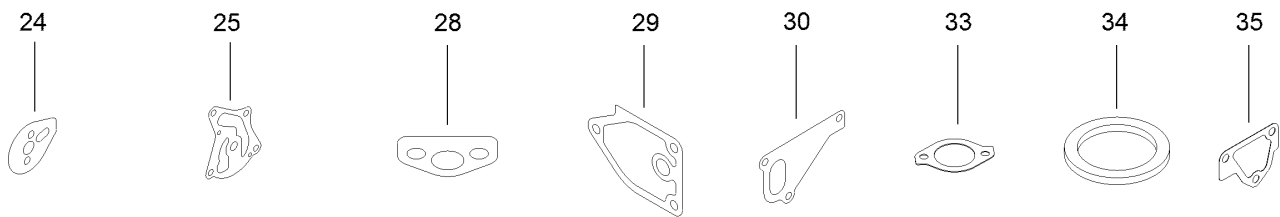
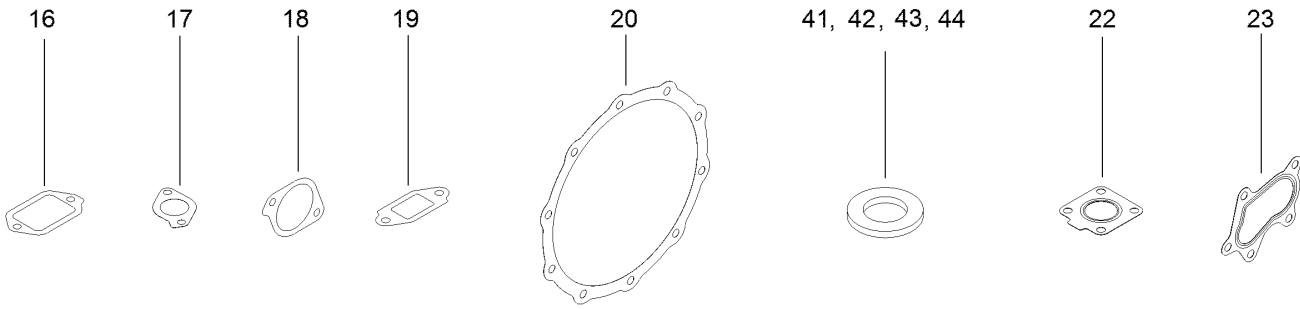
1



8, 9, 26
27, 31, 36
45, 46, 47, 48



21, 32, 37
38, 39, 40
41, 42, 43, 44



Gasket Set (continued)

<i>Ref.</i>	<i>Part Number</i>	<i>Qty.</i>	<i>Description</i>	<i>Ref.</i>	<i>Part Number</i>	<i>Qty.</i>	<i>Description</i>
1	127-3189	1	Gasket Kit	25	127-3004	1	Gasket
2	127-3126	1	Gasket-Head, Cylinder	26	125-6909	2	O-Ring
3	127-3106	1	Gasket-Cover	27	127-2973	1	O-Ring
4	127-2986	4	Seal-Stem, Valve	28	125-7022	1	Gasket
5	127-3027	4	Seal-Stem, Valve	29	125-7024	1	Gasket
6	127-3021	4	Gasket-Injector	30	125-7047	1	Gasket
7	127-3107	1	Gasket-Manifold, Intake	31	125-7048	1	O-Ring
8	127-3032	2	O Ring-Sensor, Pressure	32	125-6979	1	Gasket
9	127-3033	1	O-Ring	33	125-7110	1	Gasket
10	127-3034	1	Gasket-Collector	34	125-7026	1	Gasket
11	127-3037	2	Gasket-Throttle	35	125-6978	1	Gasket
12	127-3108	1	Gasket-Manifold, Exhaust	36	127-3074	1	O-Ring
13	127-3019	1	Gasket	37	125-7174	1	Washer-Seal
14	127-2987	1	Gasket-Silencer	38	125-7175	2	Washer-Seal
15	127-3043	2	Gasket-Cooler, E G R	39	125-7176	1	Washer-Seal
16	127-3046	1	Gasket-E G R	40	127-3166	2	Washer-Seal
17	127-3016	1	Gasket	41	125-7177	1	Washer-Seal
18	127-3050	1	Gasket-Intake Valve, E G R	42	125-7192	1	Gasket
19	127-3051	1	Gasket-Out Valve, E G R	43	125-7193	2	Gasket
20	127-3162	2	Gasket-D P F	44	127-3174	2	Gasket
21	127-3056	4	Gasket-Sensor	45	138-7858	3	O-Ring
22	125-7070	1	Gasket	46	125-7197	1	O-Ring
23	125-7071	1	Gasket	47	125-7198	1	O-Ring
24	127-3069	1	Gasket-Idle, Shaft B	48	127-3176	1	O-Ring

Attachments and Accessories

For 07511AA Outcross 9060 Series Traction Unit

Product Name	Model/Part
Semi-Gloss Black Spray Paint	361-9
Toro Red 12oz Aerosol Can	361-10
New Red Paint - Gallon	361-11
Rear Selector Valve Kit	07527
Homologation	07541
Road Light Kit and Horn.....	07542
Work Lights.....	07545
Beacon Kit	07546
7-way Trailer Plug Kit EU	07538
7-Way Trailer Plug Kit	07547
Foam Marker Kit	41249
Foam Marker Finish Kit.....	07548
Horn Kit.....	07549
Backup Alarm Kit	140-0508
Exterior Mirror Kit.....	130-5448
Interior Mirror Kit.....	130-5449
Wireless Hourmeter	115-4754
Wide Angle Mirror Kit.....	133-1038
Base Station Kit, Wireless Hourmeter System	115-9542
Aggressive Tires	07535
Repeater Kit, Wireless Hourmeter System	115-9543
External Antenna Kit, Wireless Hourmeter System	115-9524
Cargo Bed	07530
Premium Transmission/Hydraulic Tractor Fluid (55 Gallon Drum).....	108-1183
Hood Guard	07531
Premium Transmission/Hydraulic Tractor Fluid (5 Gallon Pail)	108-1184
Rear Screen	07532
Pintle Hitch	07536
Premium Engine Oil 10w30 (55 Gallon Drum)	121-6392
InchMode.....	07540
Premium Engine Oil 10w30 (5 Gallon Pail)	121-6393
500 Hour MVP Maintenance Kit.....	31196
Brake Controller.....	130-4230
Large Seat Cover.....	131-6691
Premium Engine Oil 15w40 (55 Gallon Drum)	121-6394
Premium Engine Oil 15w40 (5 Gallon Pail)	121-6395
Lift Arm Bushing Kit, Category 2 To 1	138-4197
Top Link Bushing Kit, Category 2 To 1.....	138-4196
Dark Metallic Gray Aerosol Paint	361-12
Air Dry Red Paint - Qt	5340

Notes:

Notes:

Notes:



Count on it.