



Count on it.

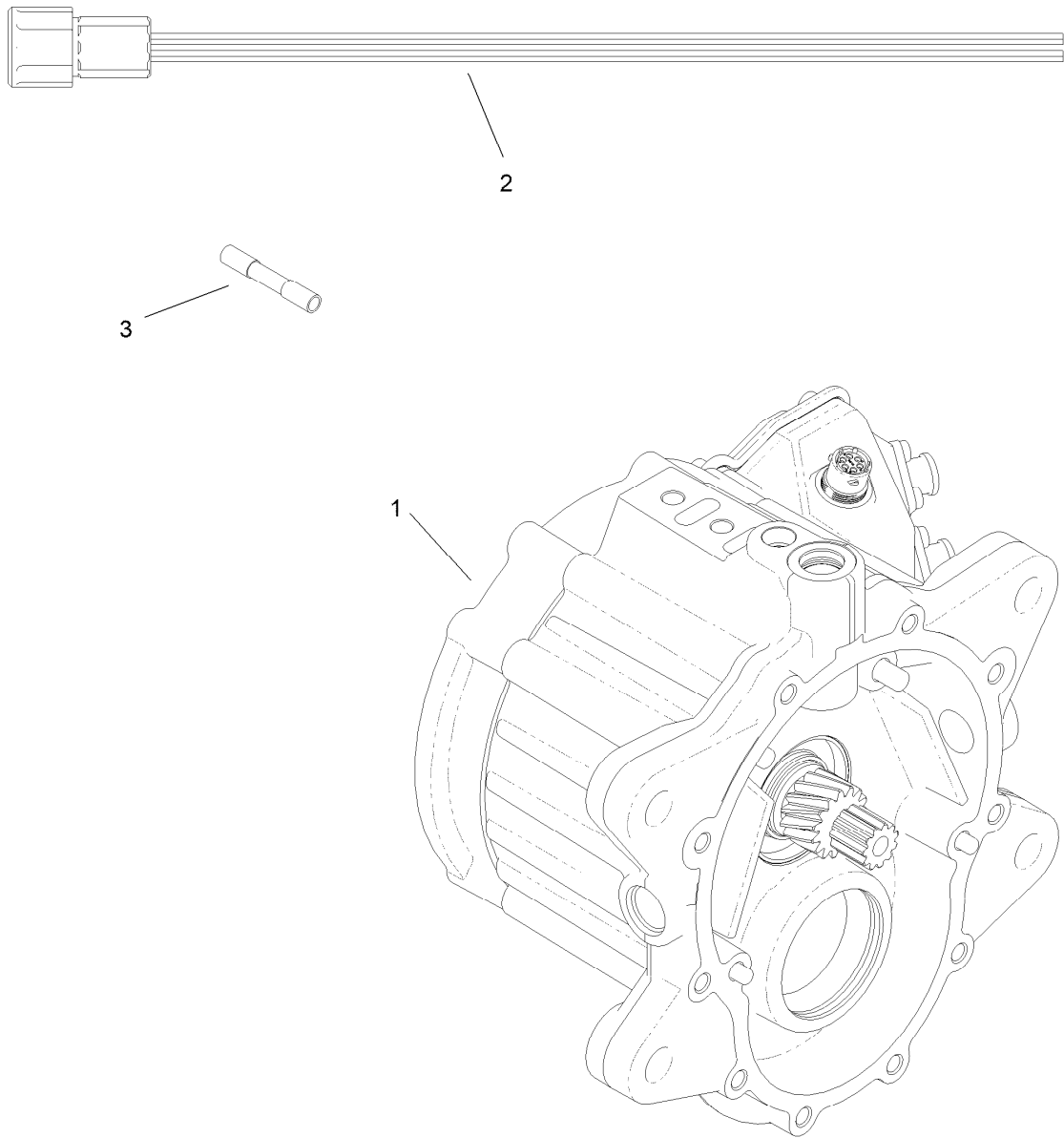
Parts Catalog

**Right-Hand Traction Motor
Replacement Kit**

**Greensmaster® eTriFlex 3360 or 3370
Traction Unit**

Model No. 147-3051





RH Traction Motor Jumper Kit Assembly No. 147-3051

<i>Ref.</i>	<i>Part Number</i>	<i>Qty.</i>	<i>Description</i>
1	139-8566	1	RH Motor ASM
2	122-2512	1	Harness-Wire, Wheel Motor Adapter
3	32180-045	6	Splice