



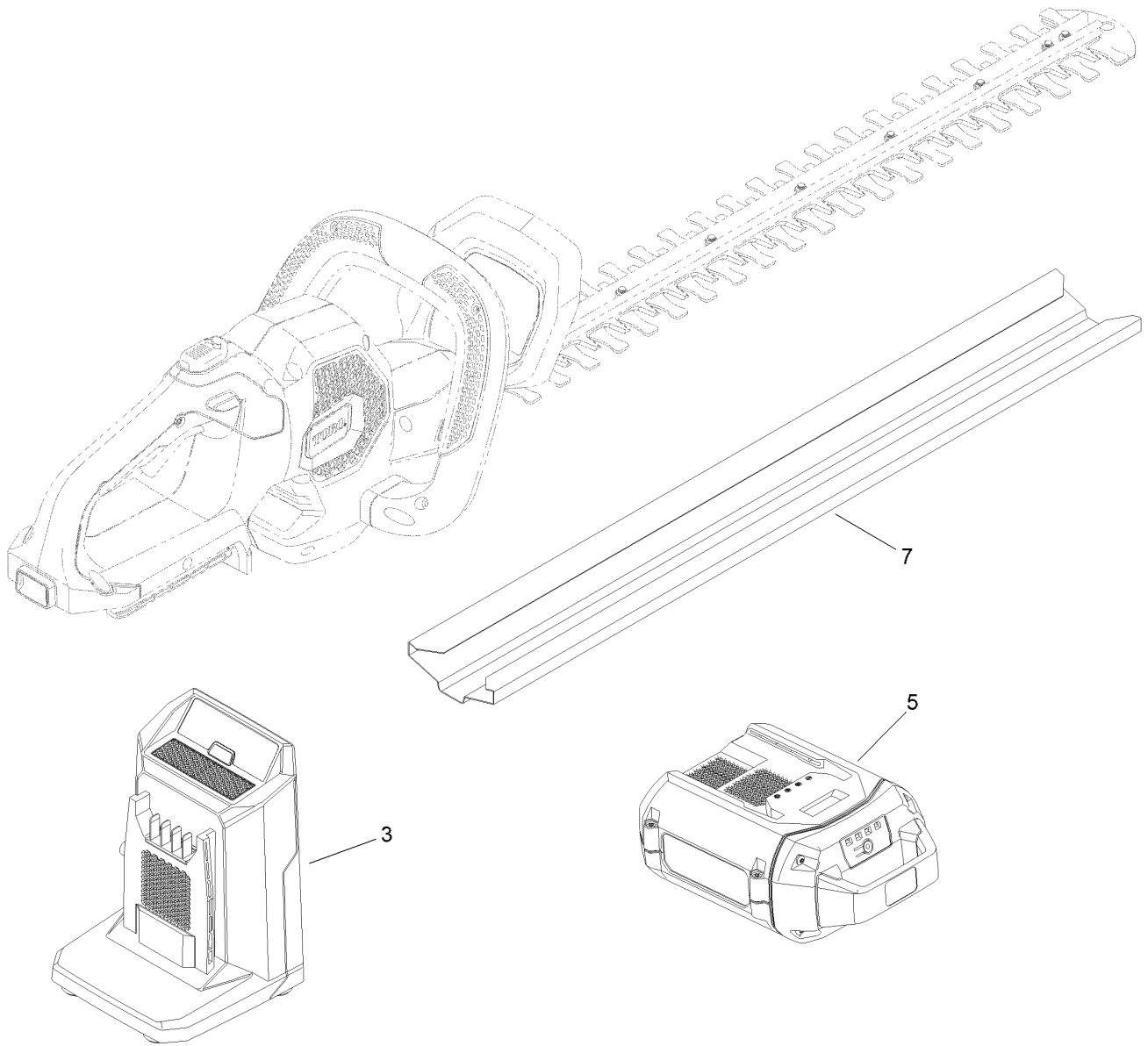
**Count on it.**

**Parts Catalog**

**Flex-Force Power System™**  
**24in 60V Hedge Trimmer**

Model No. 51840—Serial No. 320000001 and Up





## Cordless 60V Hedge Trimmer Assembly

<i>Ref.</i>	<i>Part Number</i>	<i>Qty.</i>	<i>Description</i>
3	88602	1	Charger-Battery, 60V 2 Amp
5	88625	1	Battery-Li Ion, 60V 2.5 Ah
7	139-5265	1	Sleeve-Blade, Hedge Trimmer

# Attachments and Accessories

## For 51840 Flex-Force Power System 24in 60V Hedge Trimmer

<b>Product Name</b>	<b>Model/Part</b>
60V Battery Charger 1 AMP .....	88610
60V Battery Charger 2 AMP .....	88602
60V Rapid Battery Charger 5.4 AMP .....	88605
60V 2.0 AH Battery .....	88620
60V LI-ION Battery 2.5 AH.....	88625
60V LI-ION, Battery 4.0 AH .....	88640
60V LI-ION Battery 5.0 AH.....	88650
60V LI-ION Battery 6.0 AH.....	88660
60V LI-ION Battery 7.5 AH.....	88675



**Count on it.**