



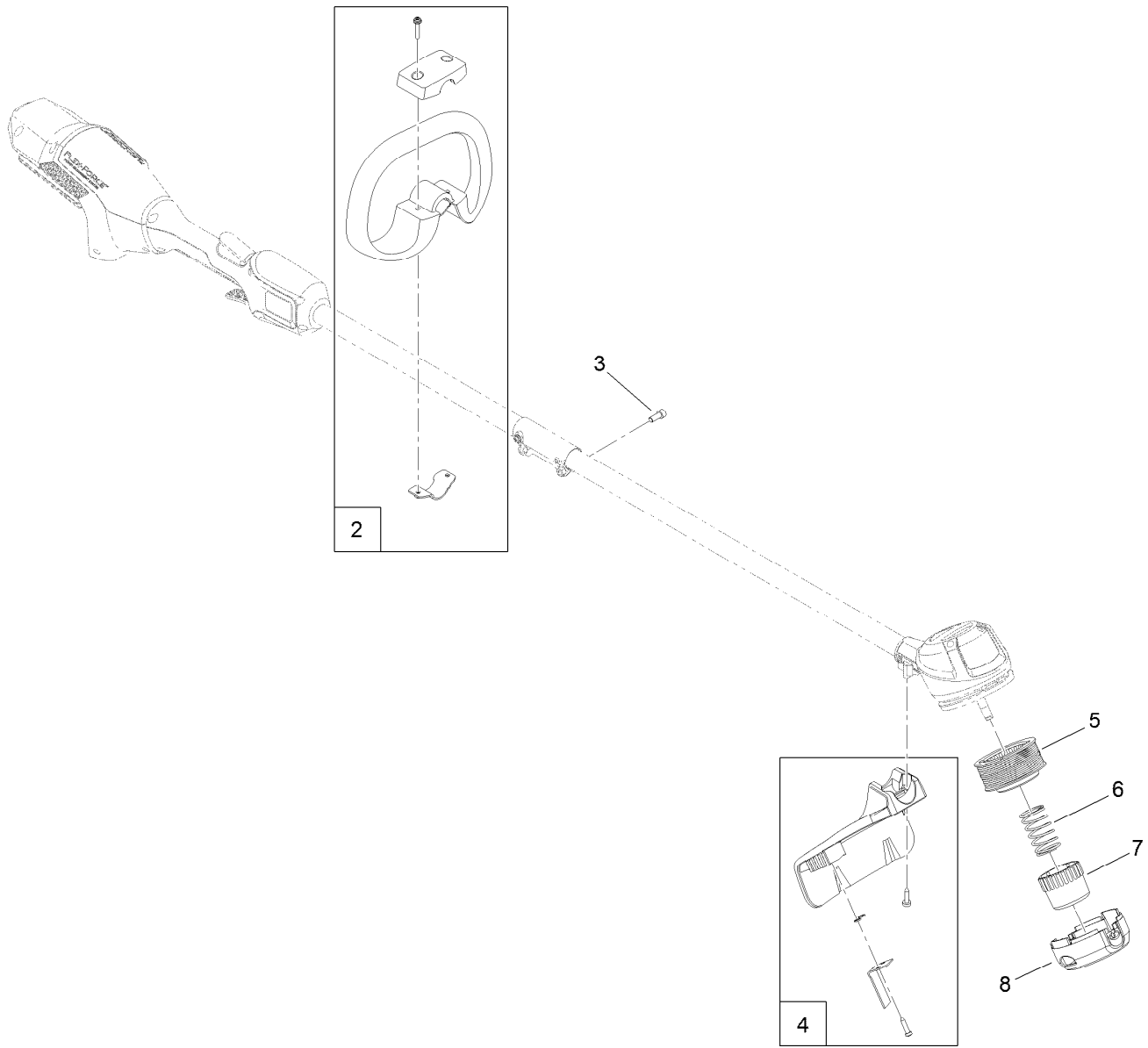
Count on it.

Parts Catalog

Flex-Force Power System™
13in or 15in 60V MAX String Trimmer

Model No. 51831T—Serial No. 321000001 and Up





Cordless 60V MAX String Trimmer Assembly

| <i>Ref.</i> | <i>Part Number</i> | <i>Qty.</i> | <i>Description</i> |
|-------------|--------------------|-------------|----------------------|
| 2 | 144-4103 | 1 | Handle-Trimmer |
| 3 | 144-4107 | 1 | Screw-Coupler, Shaft |
| 4 | 144-4102 | 1 | Shield-Grass |
| 5 | 88615 | 1 | Line-Trimmer |
| 6 | 144-4106 | 1 | Spring-Feed, Bump |
| 7 | 144-4105 | 1 | Button-Feed, Bump |
| 8 | 144-4104 | 1 | Cover-Spool |

Attachments and Accessories

For 51831T Flex-Force Power System 13in or 15in 60V MAX String Trimmer

| Product Name | Model/Part |
|---|-------------------|
| Trimmer Line (1 Spool) | 88615 |
| Trimmer Line (3 Spool) | 88616 |
| 60V Battery Charger 1 AMP | 88610 |
| 60V Battery Charger 2 AMP | 88602 |
| 60V Rapid Battery Charger 5.4 AMP | 88605 |
| 60V 2.0 AH Battery | 88620 |
| 60V LI-ION Battery 2.5 AH..... | 88625 |
| 60V LI-ION, Battery 4.0 AH | 88640 |
| 60V LI-ION Battery 5.0 AH..... | 88650 |
| 60V LI-ION Battery 6.0 AH..... | 88660 |
| 60V LI-ION Battery 7.5 AH..... | 88675 |



Count on it.