



**Count on it.**

**Parts Catalog**

**Flex-Force Power System™**

**41cm (16in) 60V MAX Chainsaw**

Model No. 51850T—Serial No. 320000001 and Up



# Ordering Replacement Parts

To order replacement parts, please supply the part number, the quantity, and the description of each part desired.

## Understanding Reference Numbers

Each identified part in an illustration has a reference number. The reference number for a part also appears in the parts list, along with other information about the part.

This catalog uses two special reference number formats, one to indicate parts in a service assembly and another to indicate the quantity of a given part in an illustration.

## Service Assembly Reference Numbers

Parts in service assemblies have reference numbers in the form a:b. The a represents the reference number of the entire service assembly and the b represents a sequential number unique to each part within the service assembly.

For example, a wheel assembly might be identified by reference number 6, the tire by 6:1, the valve by 6:2, and the wheel by 6:3. When you order the assembly identified by reference number 6, you receive all parts identified by reference numbers 6:1, 6:2, and 6:3. However, you may also order any part individually. Reference numbers of this type appear in illustration and in parts lists.

## Reference Numbers Indicating Quantity

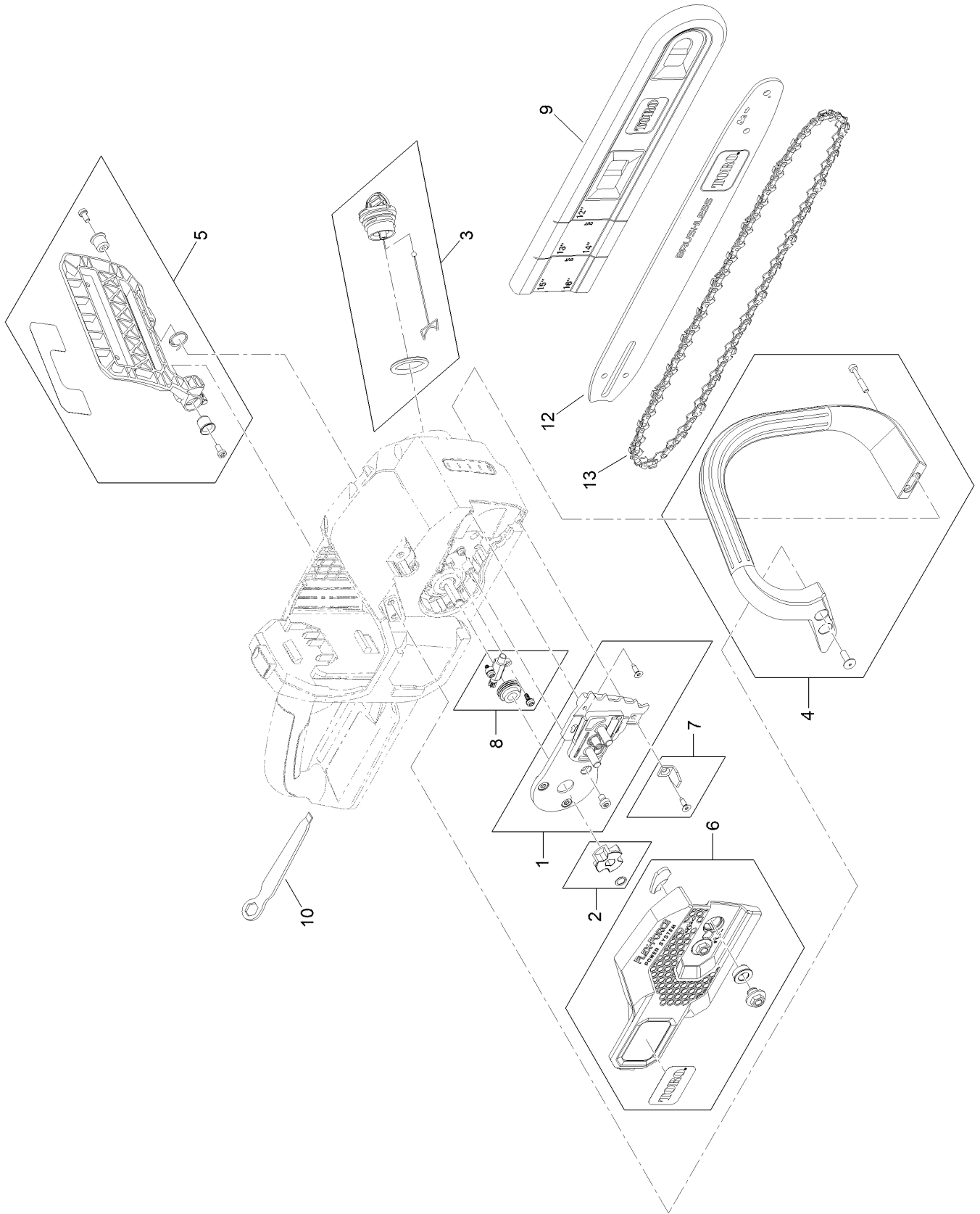
In an illustration, if a reference number indicates more than one part, the reference number has the form nX y. The n represents the quantity of the part, the X is the multiplication symbol, and the y represents the reference number.

For example, in an illustration, the reference number 2X 37 means that two of the parts identified by reference number 37 are indicated.

# Contents

16in Cordless Chainsaw Assembly .....	4
Attachments and Accessories .....	6

# 16in Cordless Chainsaw Assembly



# 16in Cordless Chainsaw Assembly (continued)

<i>Ref.</i>	<i>Part Number</i>	<i>Qty.</i>	<i>Description</i>	<i>Ref.</i>	<i>Part Number</i>	<i>Qty.</i>	<i>Description</i>
1	140-8407	1	Adjuster Bar Bracket ASM	8	140-8414	1	Oil Pump ASM
2	140-8406	1	Drive Gear ASM	9	140-8443	1	Bar-Sleeve, Chainsaw
3	140-8403	1	Oil Cap ASM	10	140-8444	1	Tool-Adjustment, Bar
4	140-8404	1	Handle ASM	12	88613	1	Bar-Replacement
5	140-8405	1	Chain Brake ASM	13	88614	1	Chain
6	140-8413	1	Bar Cover ASM				
7	140-8440	1	Bar Cover Support Bracket ASM				

# Attachments and Accessories

## For 51850T Flex-Force Power System 41cm (16in) 60V MAX Chainsaw

<b>Product Name</b>	<b>Model/Part</b>
Toro Premium Bar and Chain Oil (1 Qt Bottle).....	38914
Toro Premium Bar and Chain Oil (1 Gal).....	38917
Replacement Bar .....	88613
Chain-16in .....	88614
60V Battery Charger 1 AMP .....	88610
60V Battery Charger 2 AMP .....	88602
60V Rapid Battery Charger 5.4 AMP .....	88605
60V 2.0 AH Battery .....	88620
60V LI-ION Battery 2.5 AH.....	88625
60V LI-ION, Battery 4.0 AH .....	88640
60V LI-ION Battery 5.0 AH.....	88650
60V LI-ION Battery 6.0 AH.....	88660
60V LI-ION Battery 7.5 AH.....	88675

**Notes:**



**Count on it.**