



Crumber Kit

Trenchers

Model No. 22477

Installation Instructions

▲ WARNING

CALIFORNIA Proposition 65 Warning

Use of this product may cause exposure to chemicals known to the State of California to cause cancer, birth defects, or other reproductive harm.

Safety

▲ WARNING: Cancer and Reproductive Harm - www.P65Warnings.ca.gov.
For more information, please visit www.ttcocAProp65.com

133-8061

decal133-8061

133-8061

▲ WARNING

The crumber slides in its frame and can severely injure or amputate your fingers.

Keep your hands away from moving parts and wear leather gloves when handling the crumber.

Safety and Instructional Decals



Safety decals and instructions are easily visible to the operator and are located near any area of potential danger. Replace any decal that is damaged or missing.



115-1497

decal115-1497

115-1497

1. Crushing hazard of hand; crushing hazard of foot—keep bystanders away from the machine; keep away from moving parts.



Installation

⚠ WARNING

Contact with moving parts can result in personal injury.

- Keep your fingers, hands, and clothing away from moving parts.
- Never attempt to manipulate the attachment while the engine is running.

Installing the Crumber

1. Park the machine on a level surface, engage the parking brake (if equipped), and lower the loader arms.
2. Shut off the engine and remove the key.
3. Install the crumber over the trencher safety bar and secure it using 2 bolts and locknuts.

Note: Depending on your boom and chain configuration, you may need an extension for the trencher safety bar to ensure that the crumber does not contact the chain or digging teeth. Refer to your Authorized Service Dealer for more information.

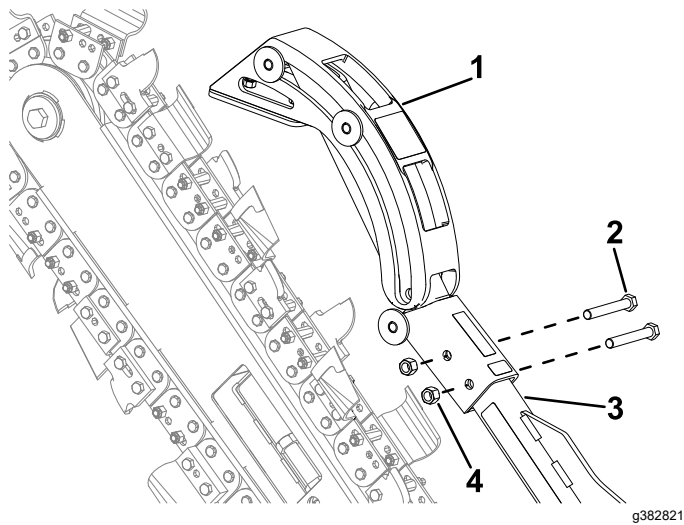


Figure 1

1. Crumber
2. Bolt
3. Trencher safety bar
4. Locknut

Operation

Transporting the Crumber

Before transporting the trencher with the crumber attached, complete the following procedure:

1. Park the machine on a level surface, engage the parking brake (if equipped), and lower the loader arms.
2. Shut off the engine and remove the key.
3. Remove the lynch pin and clevis pin stored in the crumber bar.
4. Slide the crumber back as far as possible.
5. Install the clevis pin through the crumber slide and bar, securing it with the lynch pin.

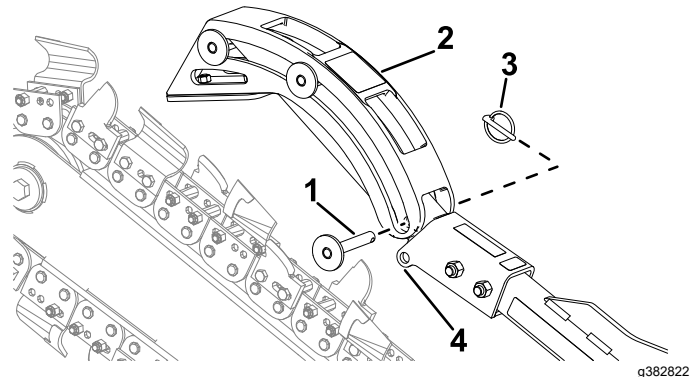


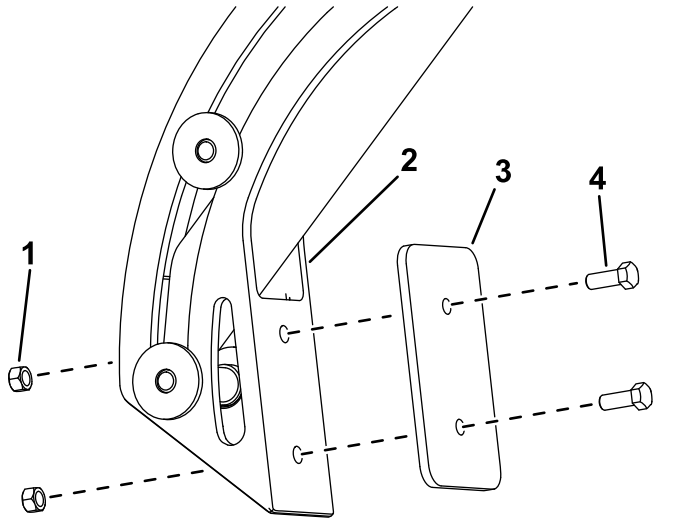
Figure 2

1. Clevis pin
2. Crumber slide
3. Lynch pin
4. Store the clevis and lynch pin here when not in use.

Changing the Scraper

The scraper installed on the crumber must correspond to the width of the trencher chain. Remove the 2 bolts and 2 nuts securing the scraper, then install the new scraper in its place.

Note: The scrapers are slightly narrower than the chains with which they should be paired. For example, the 15.2 cm (6 inches) scraper is actually 14.0 cm (5 1/2 inches) wide but is intended to be used with the 15.2 cm (6 inches) trencher chain.



g382820

Figure 3

- | | |
|-----------------|------------|
| 1. Locknut | 3. Scraper |
| 2. Crumber side | 4. Bolt |

California Proposition 65 Warning Information

What is this warning?

You may see a product for sale that has a warning label like the following:



WARNING: Cancer and Reproductive Harm—www.p65Warnings.ca.gov.

What is Prop 65?

Prop 65 applies to any company operating in California, selling products in California, or manufacturing products that may be sold in or brought into California. It mandates that the Governor of California maintain and publish a list of chemicals known to cause cancer, birth defects, and/or other reproductive harm. The list, which is updated annually, includes hundreds of chemicals found in many everyday items. The purpose of Prop 65 is to inform the public about exposure to these chemicals.

Prop 65 does not ban the sale of products containing these chemicals but instead requires warnings on any product, product packaging, or literature with the product. Moreover, a Prop 65 warning does not mean that a product is in violation of any product safety standards or requirements. In fact, the California government has clarified that a Prop 65 warning "is not the same as a regulatory decision that a product is 'safe' or 'unsafe.'" Many of these chemicals have been used in everyday products for years without documented harm. For more information, go to <https://oag.ca.gov/prop65/faqs-view-all>.

A Prop 65 warning means that a company has either (1) evaluated the exposure and has concluded that it exceeds the "no significant risk level"; or (2) has chosen to provide a warning based on its understanding about the presence of a listed chemical without attempting to evaluate the exposure.

Does this law apply everywhere?

Prop 65 warnings are required under California law only. These warnings are seen throughout California in a wide range of settings, including but not limited to restaurants, grocery stores, hotels, schools, and hospitals, and on a wide variety of products. Additionally, some online and mail order retailers provide Prop 65 warnings on their websites or in catalogs.

How do the California warnings compare to federal limits?

Prop 65 standards are often more stringent than federal and international standards. There are various substances that require a Prop 65 warning at levels that are far lower than federal action limits. For example, the Prop 65 standard for warnings for lead is 0.5 µg/day, which is well below the federal and international standards.

Why don't all similar products carry the warning?

- Products sold in California require Prop 65 labelling while similar products sold elsewhere do not.
- A company involved in a Prop 65 lawsuit reaching a settlement may be required to use Prop 65 warnings for its products, but other companies making similar products may have no such requirement.
- The enforcement of Prop 65 is inconsistent.
- Companies may elect not to provide warnings because they conclude that they are not required to do so under Prop 65; a lack of warnings for a product does not mean that the product is free of listed chemicals at similar levels.

Why does Toro include this warning?

Toro has chosen to provide consumers with as much information as possible so that they can make informed decisions about the products they buy and use. Toro provides warnings in certain cases based on its knowledge of the presence of one or more listed chemicals without evaluating the level of exposure, as not all the listed chemicals provide exposure limit requirements. While the exposure from Toro products may be negligible or well within the "no significant risk" range, out of an abundance of caution, Toro has elected to provide the Prop 65 warnings. Moreover, if Toro does not provide these warnings, it could be sued by the State of California or by private parties seeking to enforce Prop 65 and subject to substantial penalties.