



**Count on it.**

**Parts Catalog**

**Groundsmaster® 3200**

**All-Wheel Drive Traction Unit**

Model No. 31901—Serial No. 410500000 and Up



# Ordering Replacement Parts

To order replacement parts, please supply the part number, the quantity, and the description of each part desired.

## Understanding Reference Numbers

Each identified part in an illustration has a reference number. The reference number for a part also appears in the parts list, along with other information about the part.

This catalog uses two special reference number formats, one to indicate parts in a service assembly and another to indicate the quantity of a given part in an illustration.

## Service Assembly Reference Numbers

Parts in service assemblies have reference numbers in the form a:b. The a represents the reference number of the entire service assembly and the b represents a sequential number unique to each part within the service assembly.

For example, a wheel assembly might be identified by reference number 6, the tire by 6:1, the valve by 6:2, and the wheel by 6:3. When you order the assembly identified by reference number 6, you receive all parts identified by reference numbers 6:1, 6:2, and 6:3. However, you may also order any part individually. Reference numbers of this type appear in illustration and in parts lists.

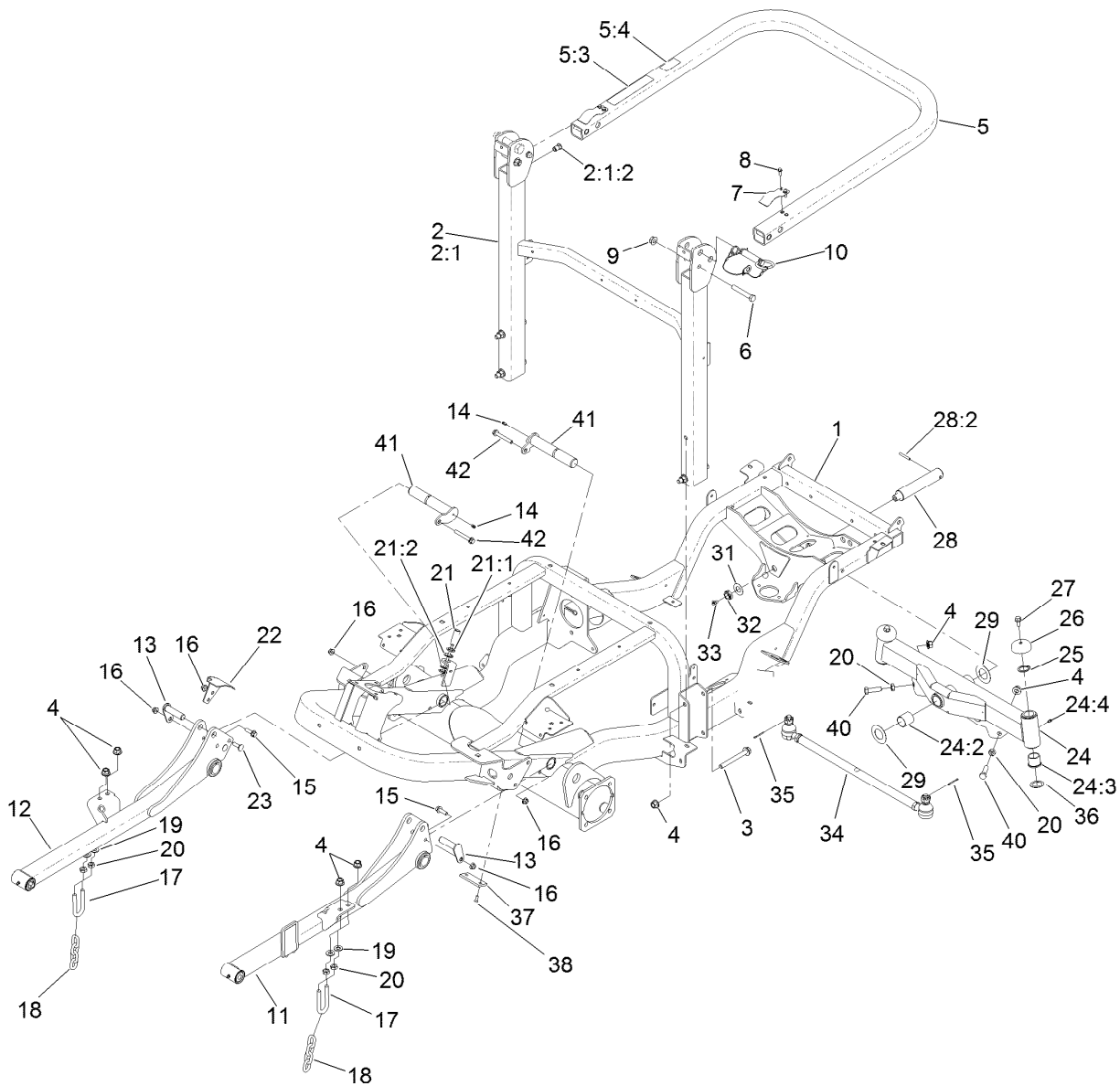
## Reference Numbers Indicating Quantity

In an illustration, if a reference number indicates more than one part, the reference number has the form nX y. The n represents the quantity of the part, the X is the multiplication symbol, and the y represents the reference number.

For example, in an illustration, the reference number 2X 37 means that two of the parts identified by reference number 37 are indicated.

# Contents

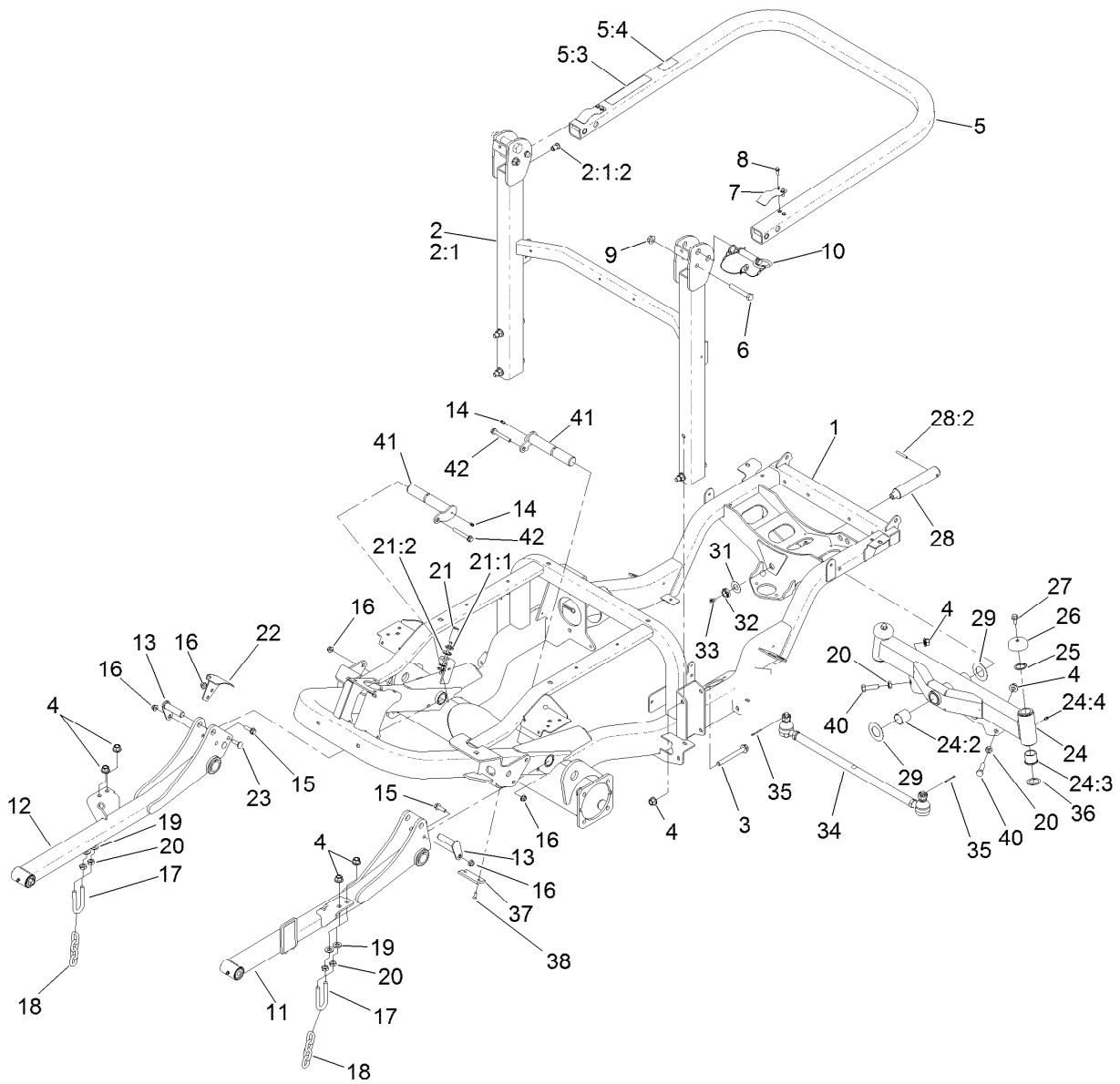
Frame and Roll-Over Protection System Assembly .....	4
LH Lift Arm Assembly No. 138-7419SP .....	6
RH Lift Arm Assembly No. 138-7429SP .....	7
Tie Rod Assembly No. 133-6462 .....	8
Bumper and Weight Assembly .....	9
Front Axle and Parking Brake Assembly .....	10
Left Hand Brake Assembly No. 120-0235 .....	12
Right Hand Brake Assembly No. 120-0233 .....	13
Hydraulic Drive Assembly .....	14
Hydraulic Motor Assembly No. 138-0435 .....	15
Hydraulic Motor Assembly No. 138-0436 .....	16
Hydraulic Motor Assembly No. 137-2479 .....	17
Hydraulic Motor Assembly No. 137-2459 .....	18
Steer/Lift Manifold Assembly No. 138-4489 .....	19
Engine, Air Cleaner and Exhaust Assembly .....	21
Air Cleaner Assembly No. 93-2190 .....	23
Radiator and Cooler Assembly .....	24
Fuel and Hydraulic Tank Assembly .....	25
Fuel Tank Assembly No. 138-0291 .....	27
Hydraulic Tank Assembly No. 138-4418 .....	28
Platform, Steering and Console Assembly .....	29
Steering Column Assembly No. 139-0857 .....	31
Traction Pedal Assembly .....	32
Control Console Assembly .....	33
Hood Assembly .....	34
Hydraulic PTO Assembly .....	35
Variable Piston Pump Assembly No. 138-0305 .....	36
Driveshaft Assembly No. 144-0521SP .....	38
Hydraulic Assembly .....	39
Gear Pump Assembly No. 138-0321 .....	42
Steering Valve Assembly No. 114-8119 .....	43
Traction Hydraulic Assembly .....	44
Electrical Assembly .....	45
Wire Harness Assembly No. 122-1657 .....	47
Cylinder Block Assembly .....	48
Gear Housing Assembly .....	50
Mounting Flange and Oil Sump Assembly .....	52
Cylinder Head and Cover Assembly .....	54
Exhaust Manifold Assembly .....	56
Camshaft and Driving Gear Assembly .....	58
Crankshaft and Piston Assembly .....	60
Lubrication and Oil System Assembly .....	62
Cooling Water System Assembly .....	64
Fuel Injection Pump Assembly .....	66
Governor Assembly .....	68
Fuel Injection Valve Assembly .....	70
Fuel Pipe Assembly .....	72
Starter Motor Assembly .....	74
Generator Assembly .....	76
Accessory Assembly .....	78
Gasket Set .....	80
Attachments and Accessories .....	82



## Frame and Roll-Over Protection System Assembly

Ref.	Part Number	Qty.	Description	Ref.	Part Number	Qty.	Description
1	133-6450SP	1	Frame ASM	15	119-4061	2	Screw-HHF
2	139-6254SP	1	ROPS ASM, Lower	16	104-8301	6	Nut-HF, NI
2:1		1	ROPS ASM, Lower ●	17	104-0108	2	U-Bolt
2:1:2	138-2760	4	Nut-Clinch, Hex	18	95-6231	2	Chain-HOC
3	117-3176	4	Screw-HHF	19	3256-26	4	Washer-Flat
4	99-5107	10	Nut-Lock	20	3218-5	6	Nut-Jam
5	138-7470	1	ROPS ASM, Upper	21	115-5300	1	Proximity Switch ASM
5:3	108-2073	1	Decal-Warning	21:1	117-3207	2	Nut-Hex
5:4	139-6244	1	Decal-ROPS Compliance	21:2	117-3208	2	Washer-Lock, Internal Tooth
6	325-13	2	Screw-HH	22	139-6170-0P	1	Bracket-Sensor Mount [primed]
7	110-5696	2	Spring-Leaf	23	3231-2	2	Bolt-CARR
8	32105-15	4	Screw-HWH	24	138-4588	1	Axle ASM
9	32128-23	2	Nut-HF	24:2	99-6964	2	Bushing-Axle
10	103-4553	2	Pin-Fold, ROPS	24:3	104-0015	4	Bushing-Flange
11	138-7419SP	1	LH Lift Arm ASM	24:4	302-5	2	Fitting-Grease
12	138-7429SP	1	RH Lift Arm ASM	25	32151-77	2	Ring-Retaining, External
13	138-7489	2	Pin (Machined)	26	69-8890	2	Cap-Spindle
14	302-5	2	Fitting-Grease				

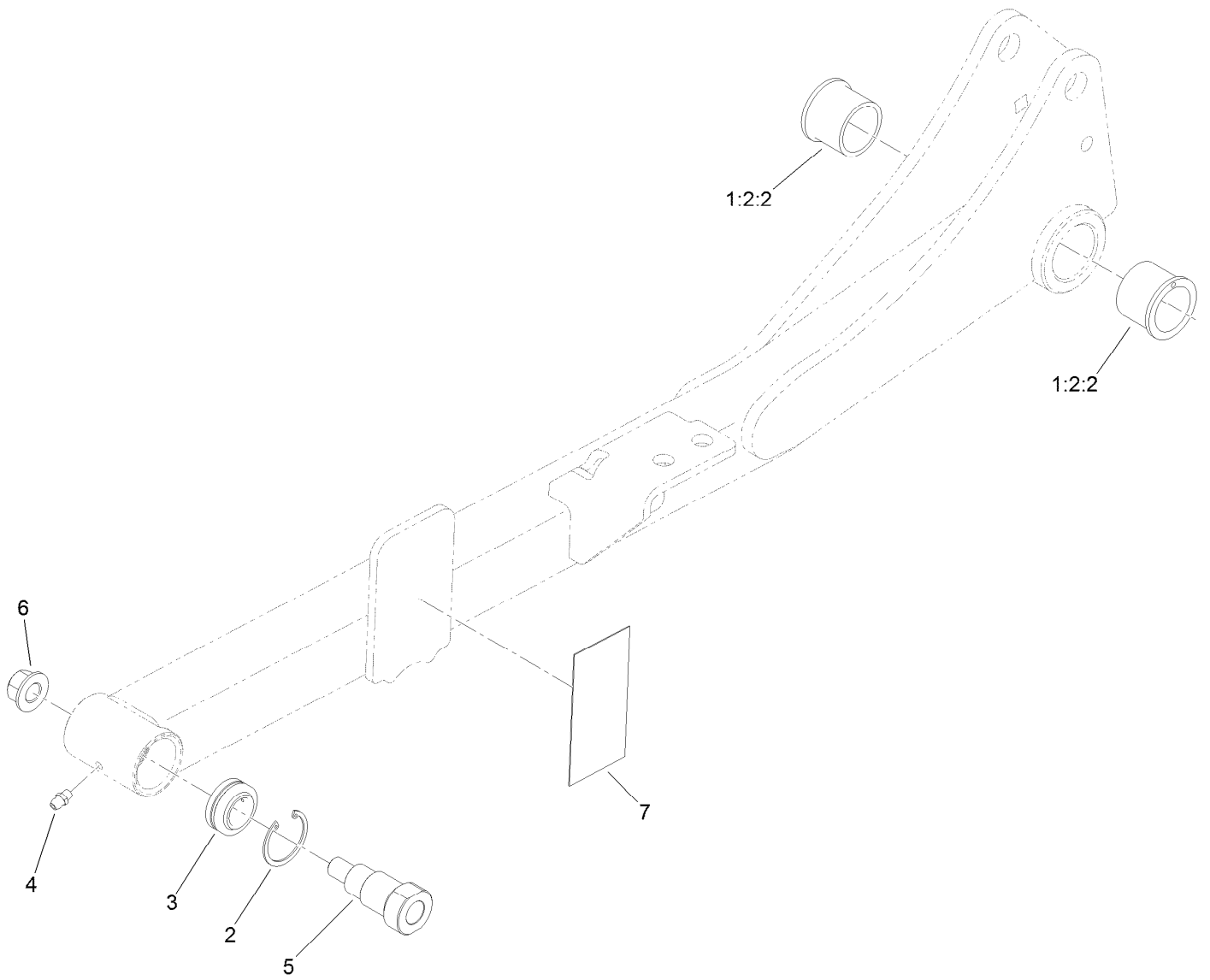
● Not serviced separately



## Frame and Roll-Over Protection System Assembly (continued)

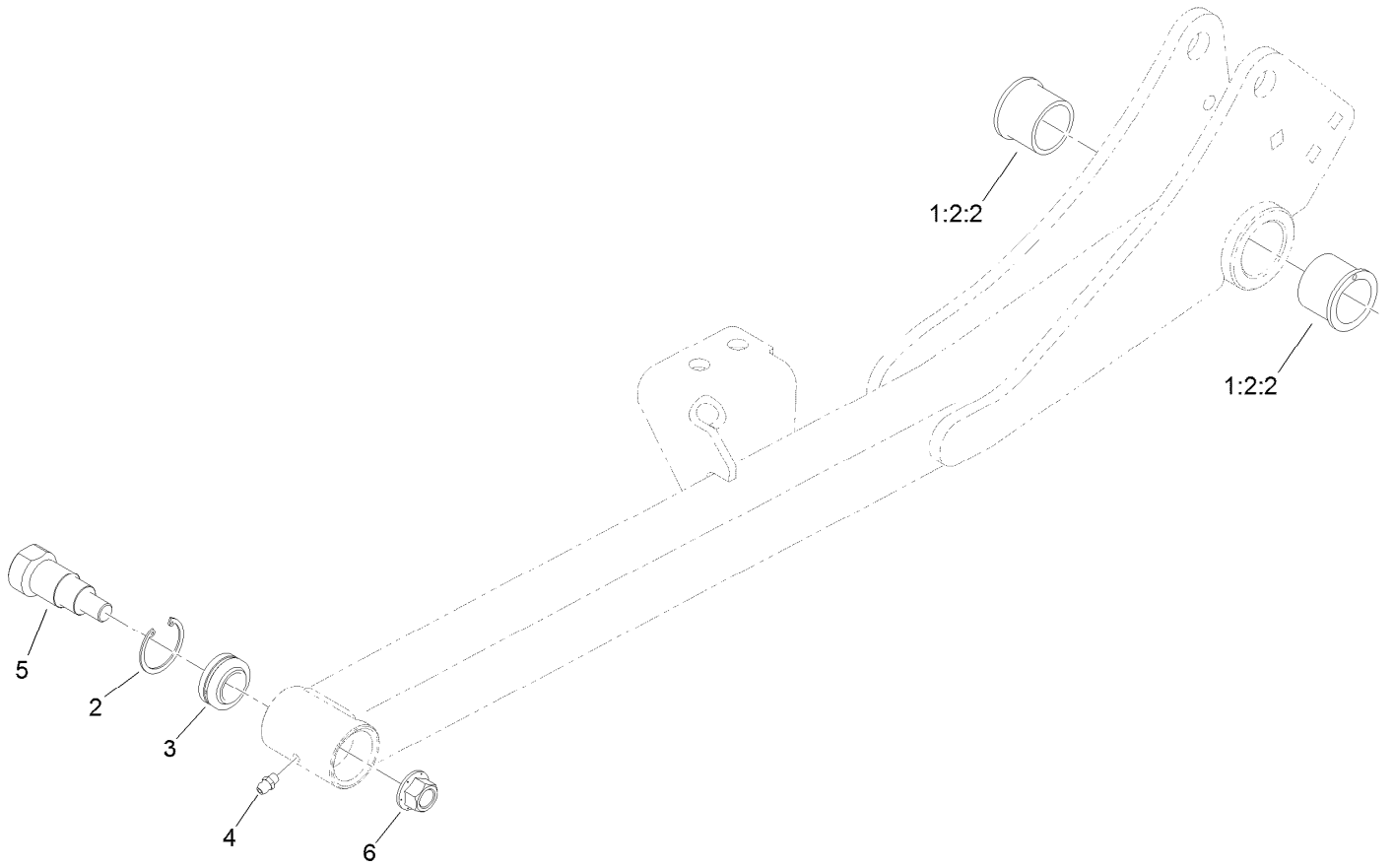
Ref.	Part Number	Qty.	Description	Ref.	Part Number	Qty.	Description
27	3234-1	2	Screw-HHF	35	3272-12	2	Pin-Cotter
28	140-6101	1	Pin ASM-Axle Pivot	36	76-2980	2	Washer-Thrust
28:2	32121-32	1	Pin-Roll	37	138-4452	2	Pad-Stop, Deck
29	99-8432	2	Washer-Thrust	38	3289-4	4	Screw-FH
31	71-4540	1	Washer-Thrust	40	325-7	2	Screw-HH
32	3296-15	1	Nut-Lock, NI	41	138-4593	2	Pin
33	302-33	1	Fitting-Grease	42	133-9682	2	Screw-Hfh
34	133-6462	1	Tie Rod ASM				

● Not serviced separately



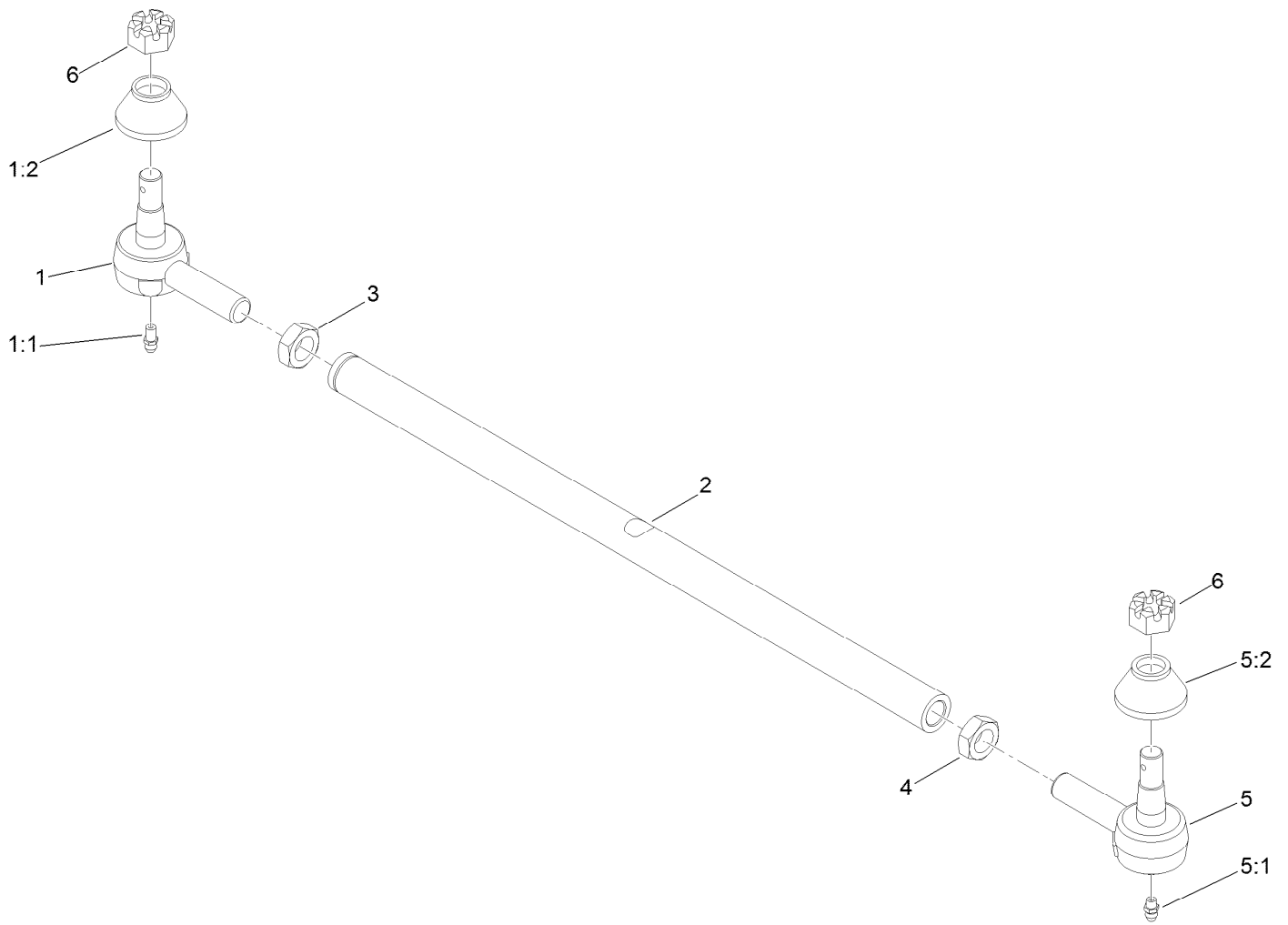
## LH Lift Arm Assembly No. 138-7419SP

<i>Ref.</i>	<i>Part Number</i>	<i>Qty.</i>	<i>Description</i>
1:2:2	104-0015	2	Bushing-Flange
2	32151-34	1	Ring-Retaining
3	105-7441	1	Bearing-Spherical
4	302-5	1	Fitting-Grease
5	139-0910	1	Bolt-Shoulder
6	99-5107	1	Nut-Lock
7	139-0948	1	Pad-Ride, Pin



## RH Lift Arm Assembly No. 138-7429SP

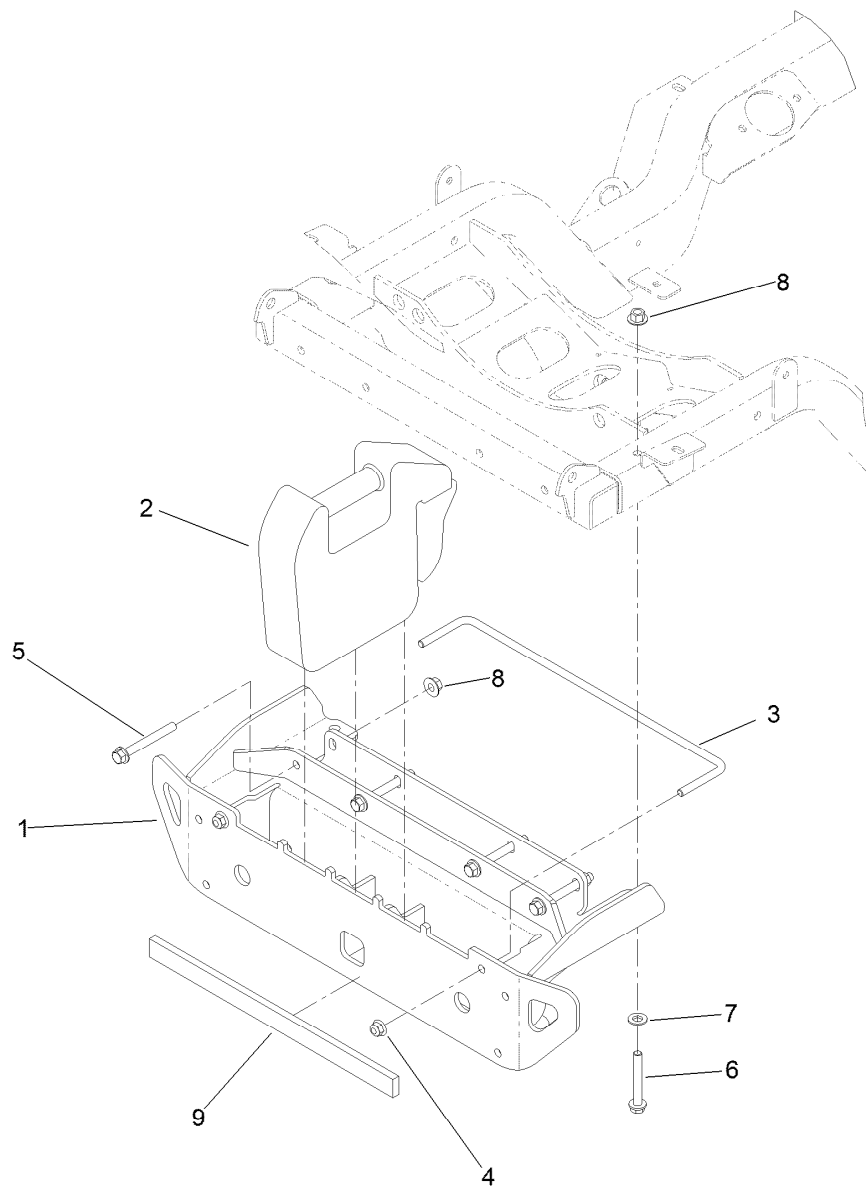
<i>Ref.</i>	<i>Part Number</i>	<i>Qty.</i>	<i>Description</i>
1:2:2	104-0015	2	Bushing-Flange
2	32151-34	1	Ring-Retaining
3	105-7441	1	Bearing-Spherical
4	302-5	1	Fitting-Grease
5	139-0910	1	Bolt-Shoulder
6	99-5107	1	Nut-Lock



## Tie Rod Assembly No. 133-6462

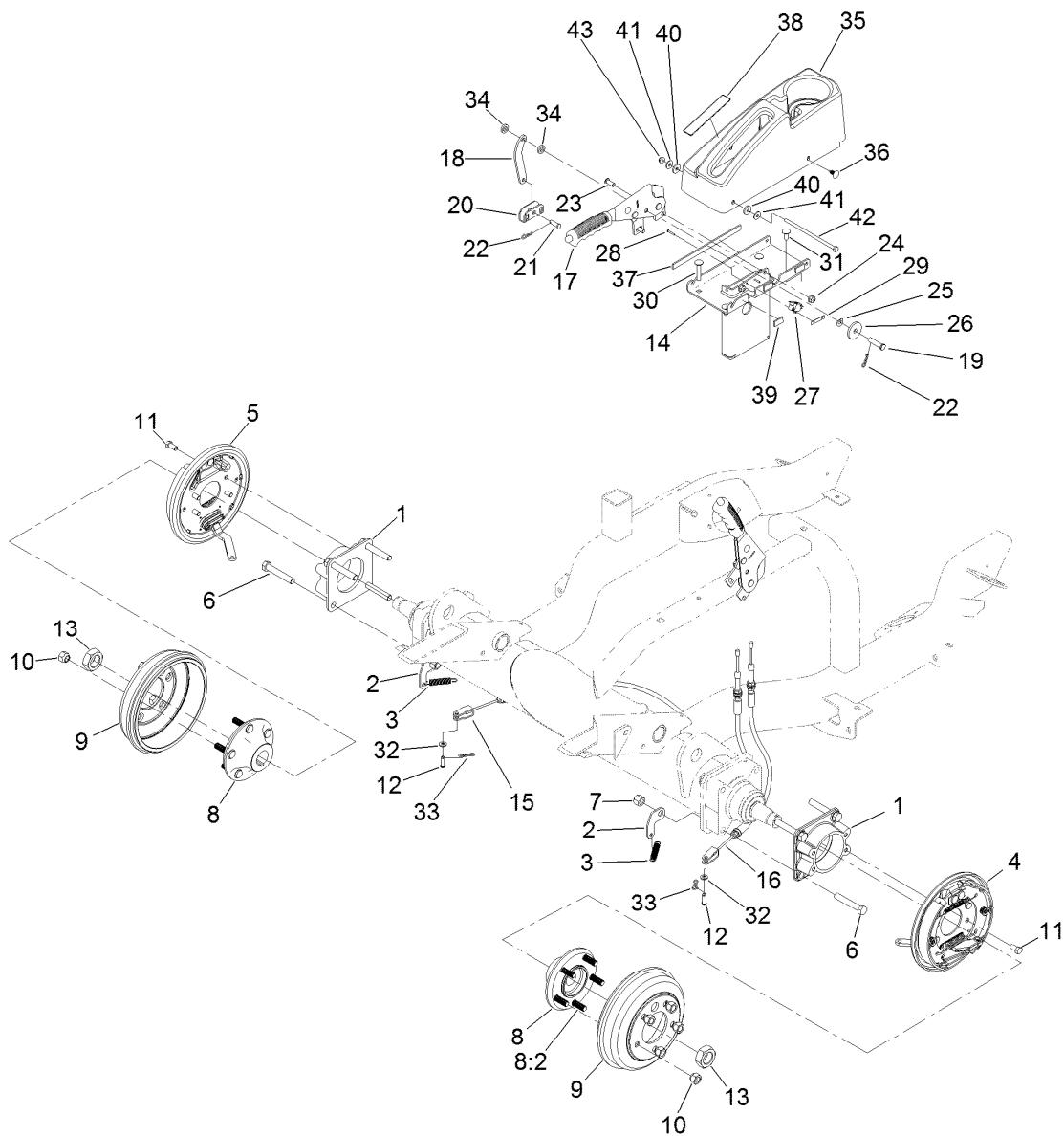
<i>Ref.</i>	<i>Part Number</i>	<i>Qty.</i>	<i>Description</i>
1	139-6199	1	Tie Rod End
1:1	302-5	1	Fitting-Grease
1:2	105-7835	1	Seal
2	133-6463	1	Tie-Rod
3	84-5300	1	Nut-Jam
4	110-5337	1	Nut-Jam
5	139-6200	1	Tie Rod End
5:1	302-5	1	Fitting-Grease
5:2	105-7835	1	Seal
6	140-6135	2	Nut-Hex, Slotted





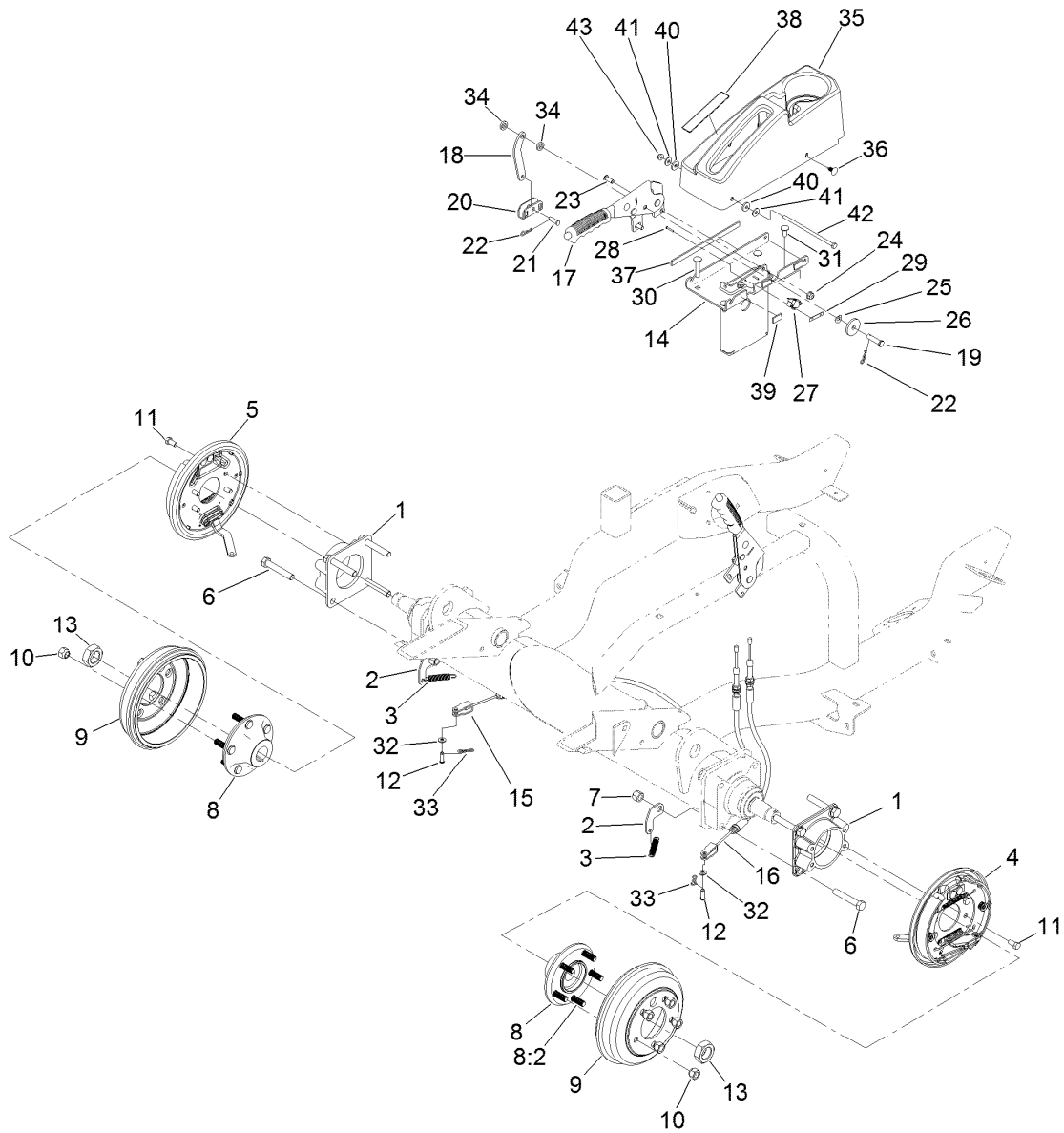
## Bumper and Weight Assembly

<i>Ref.</i>	<i>Part Number</i>	<i>Qty.</i>	<i>Description</i>
1	139-2328SP	1	Rear Bumper
2	114-4096	1	Weight
3	125-2667	1	Lock-Weight
4	104-8301	2	Nut-HF, NI
5	3234-41	4	Screw-HHF
6	139-2429	2	Screw-HHF
7	3256-24	2	Washer-Flat
8	32128-43	6	Nut-Flange
9	144-0553	1	Strip-Rubber



## Front Axle and Parking Brake Assembly

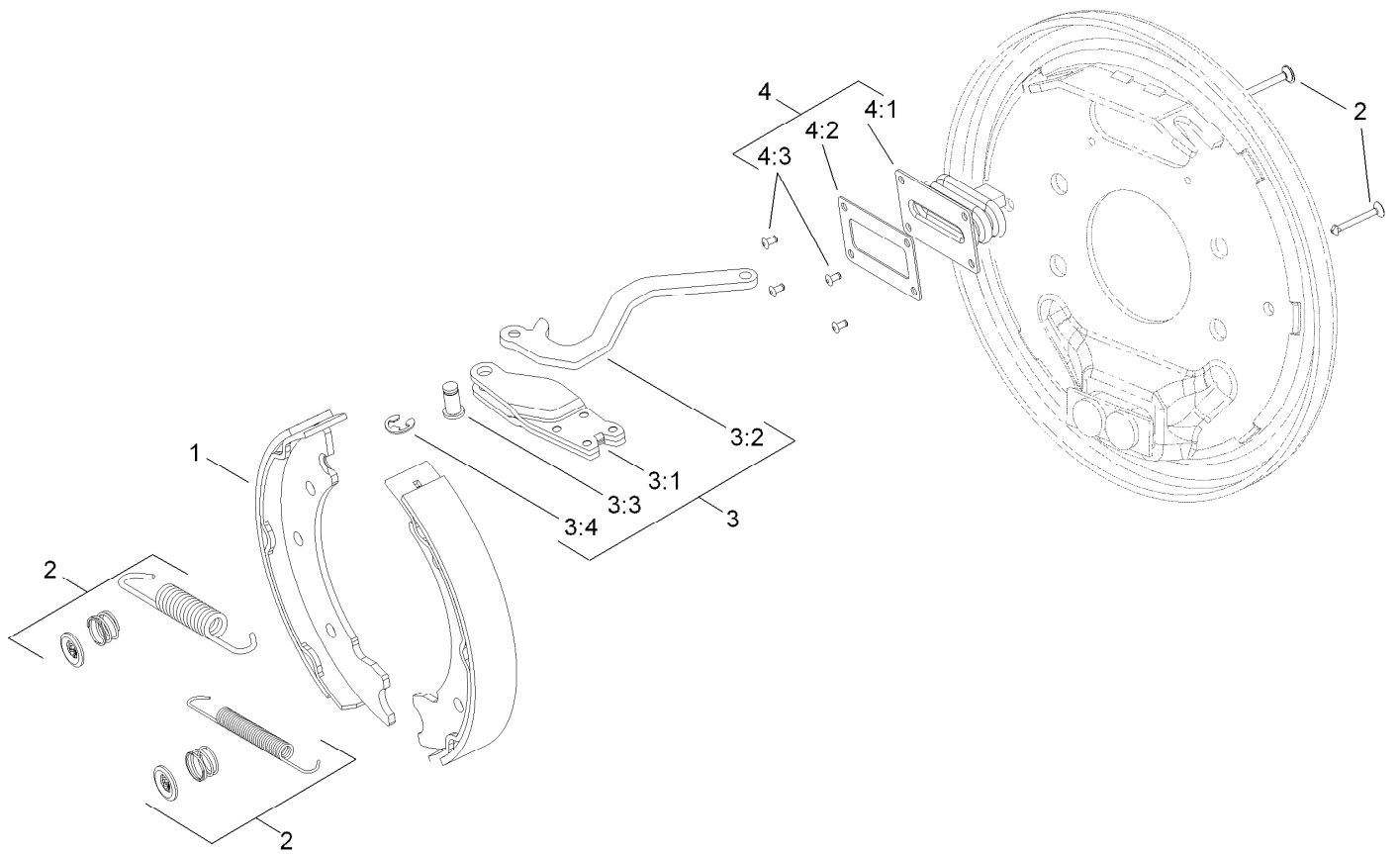
Ref.	Part Number	Qty.	Description	Ref.	Part Number	Qty.	Description
1	120-6253-03	2	Adapter-Brake	20	87-3480	1	Bracket-Equalizer, Cable
2	138-4499	2	Clip-Spring	21	1-808280	1	Pin-Clevis
3	137-2591	2	Spring-Extension	22	1-806003	2	Pin-Cotter
4	120-0235	1	LH Brake ASM	23	3274-55	2	Screw-HSBH
5	120-0233	1	RH Brake ASM	24	104-8300	6	Nut-HF, NI
6	325-12	8	Screw-HH	25	121-4605	1	Washer-Spring
7	3296-23	8	Nut-Lock, NI	26	131-8496	1	Washer-Plain
8	137-2470	2	Hub ASM	27	108-6496	1	Switch (W/Boot)
8:2	114-3918	5	Stud-Wheel	28	95-3003	2	Screw-PPHTF
9	114-8864	2	Drum-Brake	29	3290-354	1	Nut-Speed
10	242-50	10	Nut-Lug	30	116-0629	2	Screw-CARR
11	323-4	8	Screw-HH	31	3230-23	2	Bolt-CARR
12	283-58	2	Pin-Clevis	32	3256-74	2	Washer-Flat
13	107-9319	2	Nut-Hex	33	119-1415	2	Pin-Cotter, Locking
14	144-0517-0P	1	Parking Brake Mount	34	3-3287	2	Spacer
			[primed]	35	138-7475	1	Cover-Brake, Parking
15	137-2640	1	Cable-Brake, Adjustable RH	36	117-2382	2	Plug-Plastic
16	137-2641	1	Cable-Brake, Adjustable LH	37	132-7282	1	Strip-Foam
17	131-8320	1	Lever-Brake, Park	38	139-6224	1	Decal-Brake, Parking
18	144-0516	1	Link-Park, Brake	39	115-5417	3	Strip-Foam
19	283-10	1	Pin-Clevis	40	144-0499	2	Washer-Epdm



## Front Axle and Parking Brake Assembly (continued)

Ref.	Part Number	Qty.	Description
41	3256-78	2	Washer-Flat

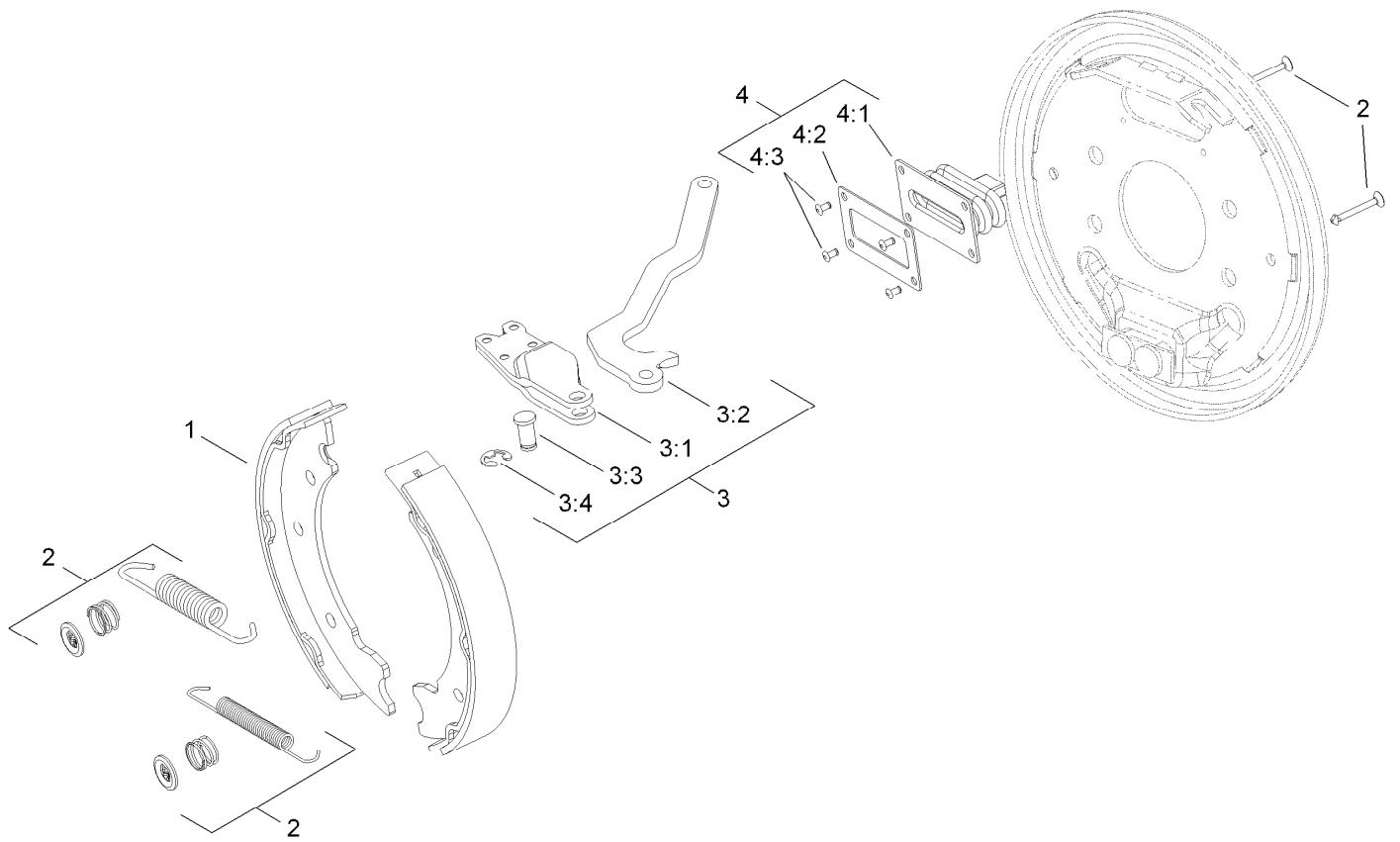
Ref.	Part Number	Qty.	Description
42	321-21	1	Screw-HH
43	104-7201	1	Nut-HF, NI



## Left Hand Brake Assembly No. 120-0235

Ref.	Part Number	Qty.	Description
1	139-5950	1	Brake Shoe Kit
2	108-6983	1	Brake Hardware Kit
3	120-0236	1	LH Actuator Kit
3:1		1	Housing ●
3:2		1	Lever-LH ●
3:3		1	Pin-Pivot ●
3:4		1	E-Ring ●
4	110-8885	1	Dust Boot Kit
4:1		1	Boot ●
4:2		1	Plate-Back Up ●
4:3		2	Rivet ●

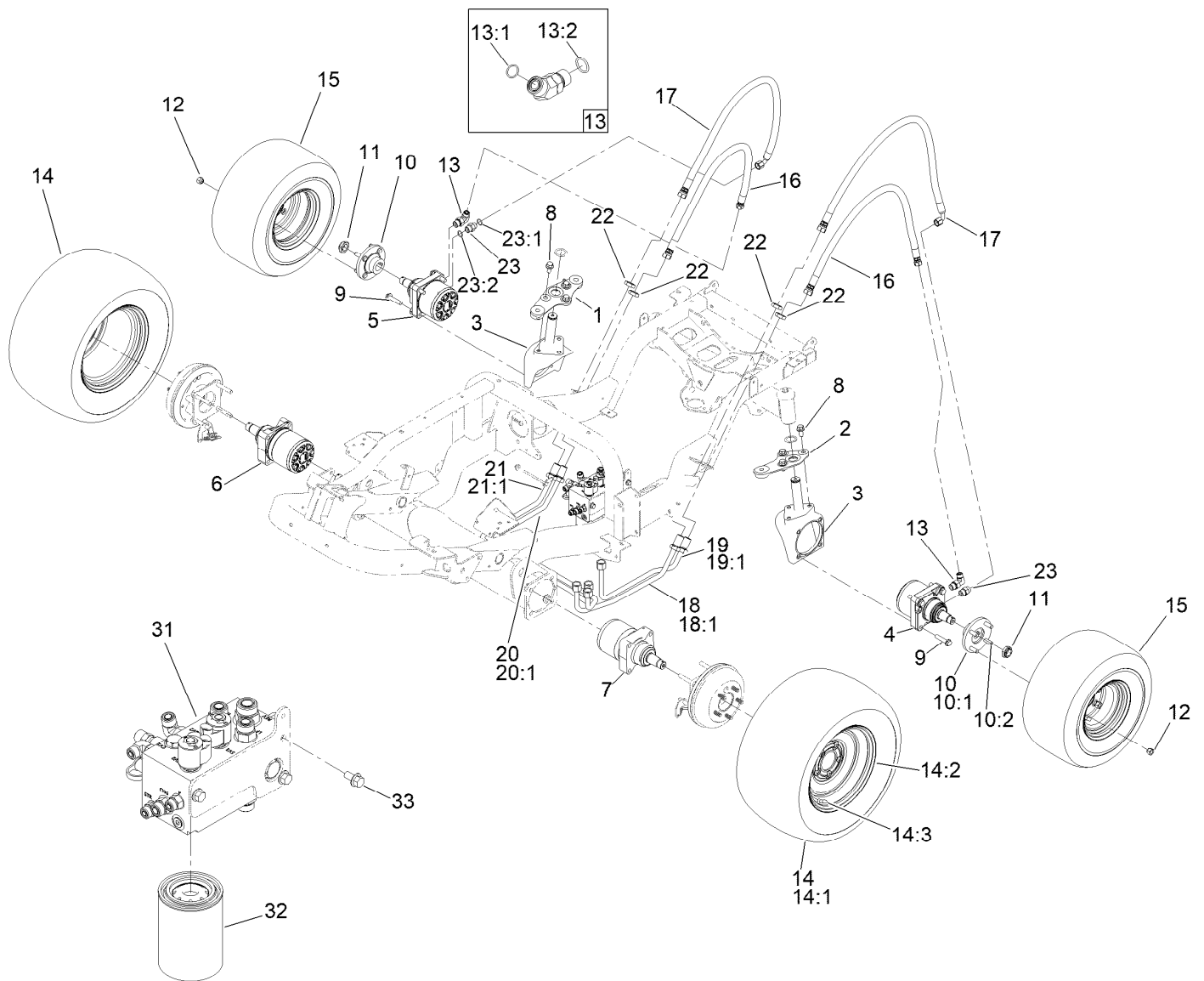
● Not serviced separately



## Right Hand Brake Assembly No. 120-0233

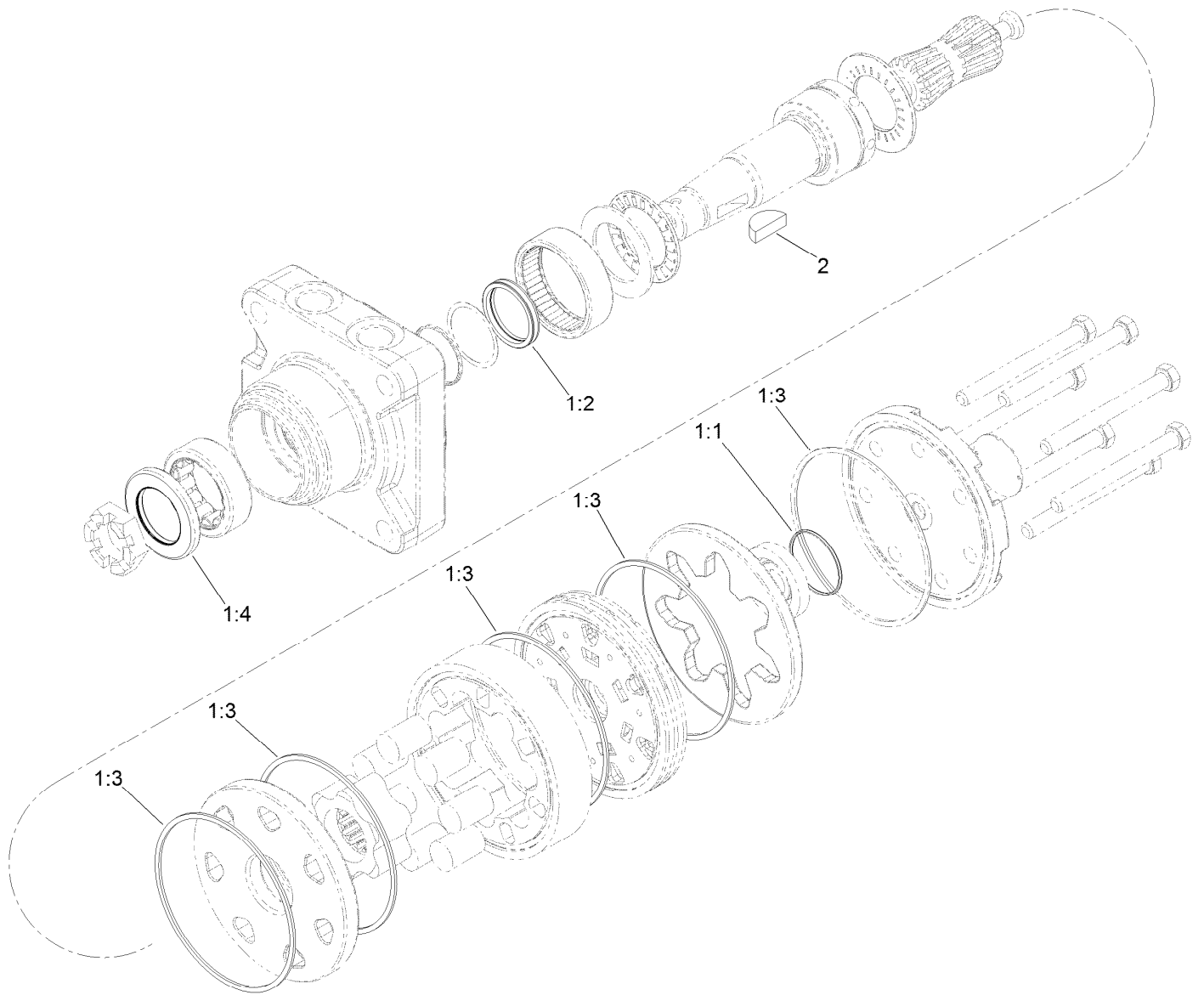
Ref.	Part Number	Qty.	Description
1	139-5950	1	Brake Shoe Kit
2	108-6983	1	Brake Hardware Kit
3	120-0234	1	RH Actuator Kit
3:1		1	Housing ●
3:2		1	Lever-RH ●
3:3		1	Pin-Pivot ●
3:4		1	E-Ring ●
4	110-8885	1	Dust Boot Kit
4:1		1	Boot ●
4:2		1	Plate-Back Up ●
4:3		2	Rivet ●

● Not serviced separately



## Hydraulic Drive Assembly

Ref.	Part Number	Qty.	Description	Ref.	Part Number	Qty.	Description
1	140-3142	1	Link-Drag, RH	14:3	232-27	1	Stem-Valve
2	140-3144	1	Link-Drag, LH	15	137-2592	2	Wheel ASM
3	107-4517-03	2	Housing-Motor	16	144-3929	2	Hose ASM, Hydraulic
4	138-0435	1	Motor-Hydraulic, CCW	17	144-3928	2	Hose ASM, Hydraulic
5	138-0436	1	Motor-Hydraulic, CW	18	138-0334	1	Hydraulic Tube ASM
6	137-2479	1	Motor-Hydraulic, CW	18:1	237-65	1	O-Ring
7	137-2459	1	Motor-Hydraulic, CCW	19	138-0335	1	Hydraulic Tube ASM
8	3234-38	6	Screw-HHF	19:1	237-65	1	O-Ring
9	3234-46	8	Screw-HHF	20	138-0337	1	Hydraulic Tube ASM
10	18-3209	2	Wheel Hub/Stud ASM	20:1	237-65	1	O-Ring
10:1	10-6870-03	1	Hub-Wheel	21	138-0338	1	Hydraulic Tube ASM
10:2	10-6830	4	Stud-Type, Drive	21:1	237-65	1	O-Ring
11	116-1399	2	Locknut	22	340-74	4	Nut-Lock, Bulkhead
12	242-50	8	Nut-Lug	23	340-6	2	Fitting-Straight
13	340-105	2	Fitting-Elbow, 90 DEG	23:1	237-30	1	O-Ring
13:1	237-80	1	O-Ring	23:2	237-80	1	O-Ring
13:2	237-30	1	O-Ring	31	138-4489	1	Manifold-Steering/Lift
14	137-2593	2	Wheel ASM	32	86-3010	1	Filter-Oil
14:1	137-2595	1	Rim	33	3234-1	3	Screw-HHF
14:2	137-2581	1	Tire				

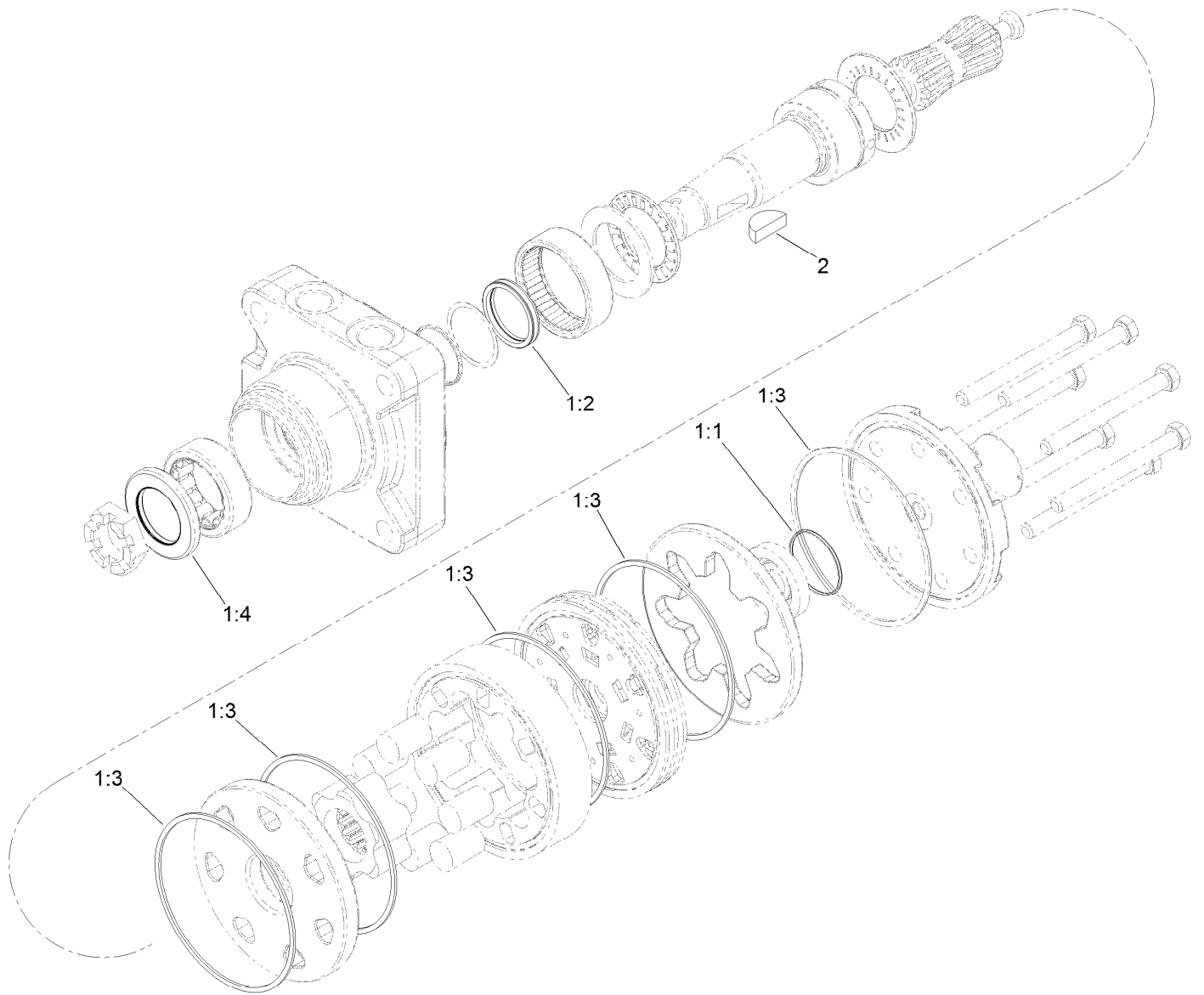


## Hydraulic Motor Assembly No. 138-0435

<i>Ref.</i>	<i>Part Number</i>	<i>Qty.</i>	<i>Description</i>
1	110-8897	1	Seal Kit ●
1:1		1	Seal-Commutator, Vespel ■
1:2		1	Seal-Shaft ■
1:3		5	Seal-Body, Buna ■
1:4		1	Seal-Dirt / Water ■
2	3257-42	1	Key-Woodruff

● Not illustrated

■ Not serviced separately



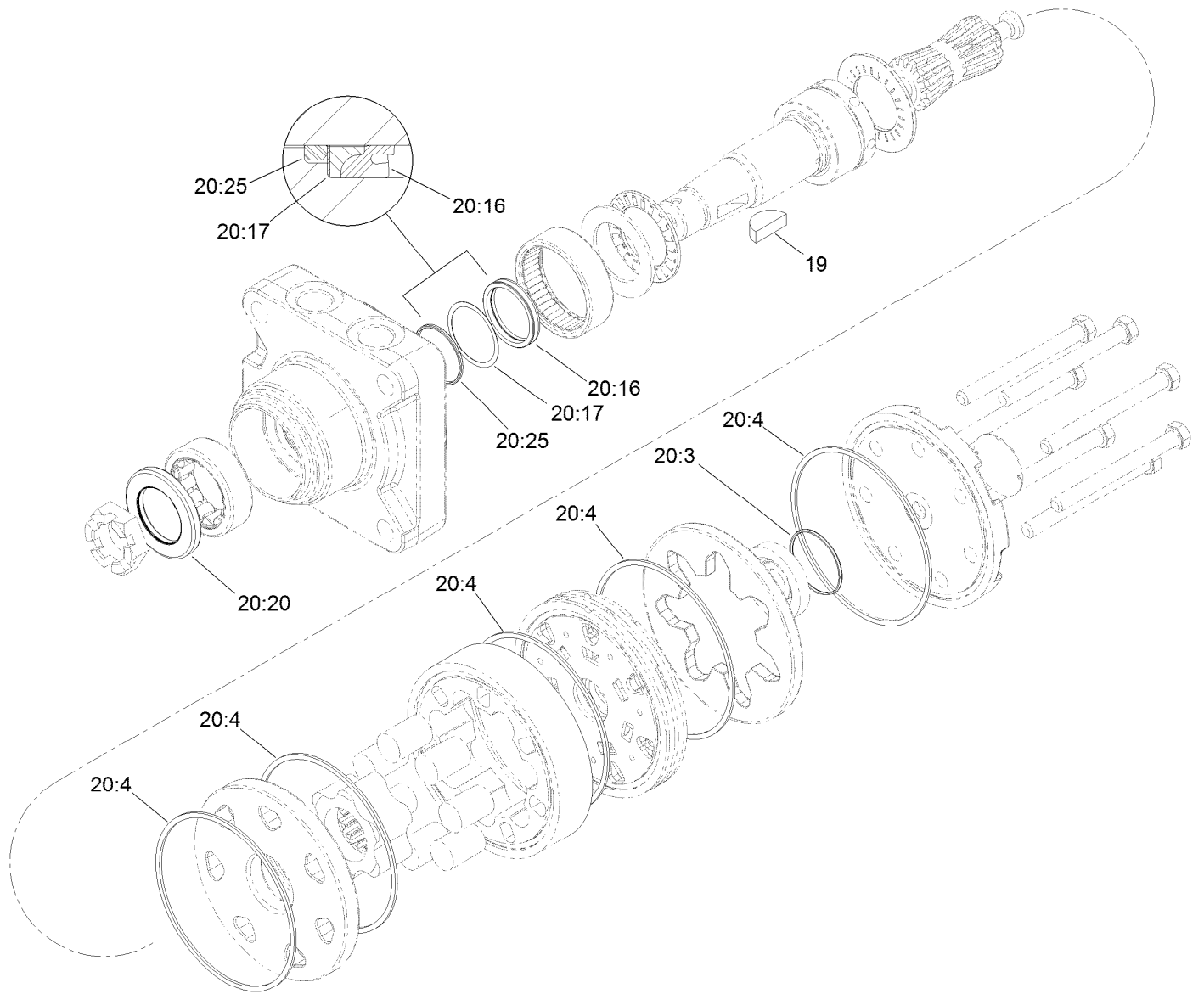
## Hydraulic Motor Assembly No. 138-0436

<i>Ref.</i>	<i>Part Number</i>	<i>Qty.</i>	<i>Description</i>
1	110-8897	1	Seal Kit ●
1:1		1	Seal-Commutator, Vespel ■
1:2		1	Seal-Shaft ■
1:3		5	Seal-Body, Buna ■
1:4		1	Seal-Dirt / Water ■
2	3257-42	1	Key-Woodruff

● Not illustrated

■ Not serviced separately



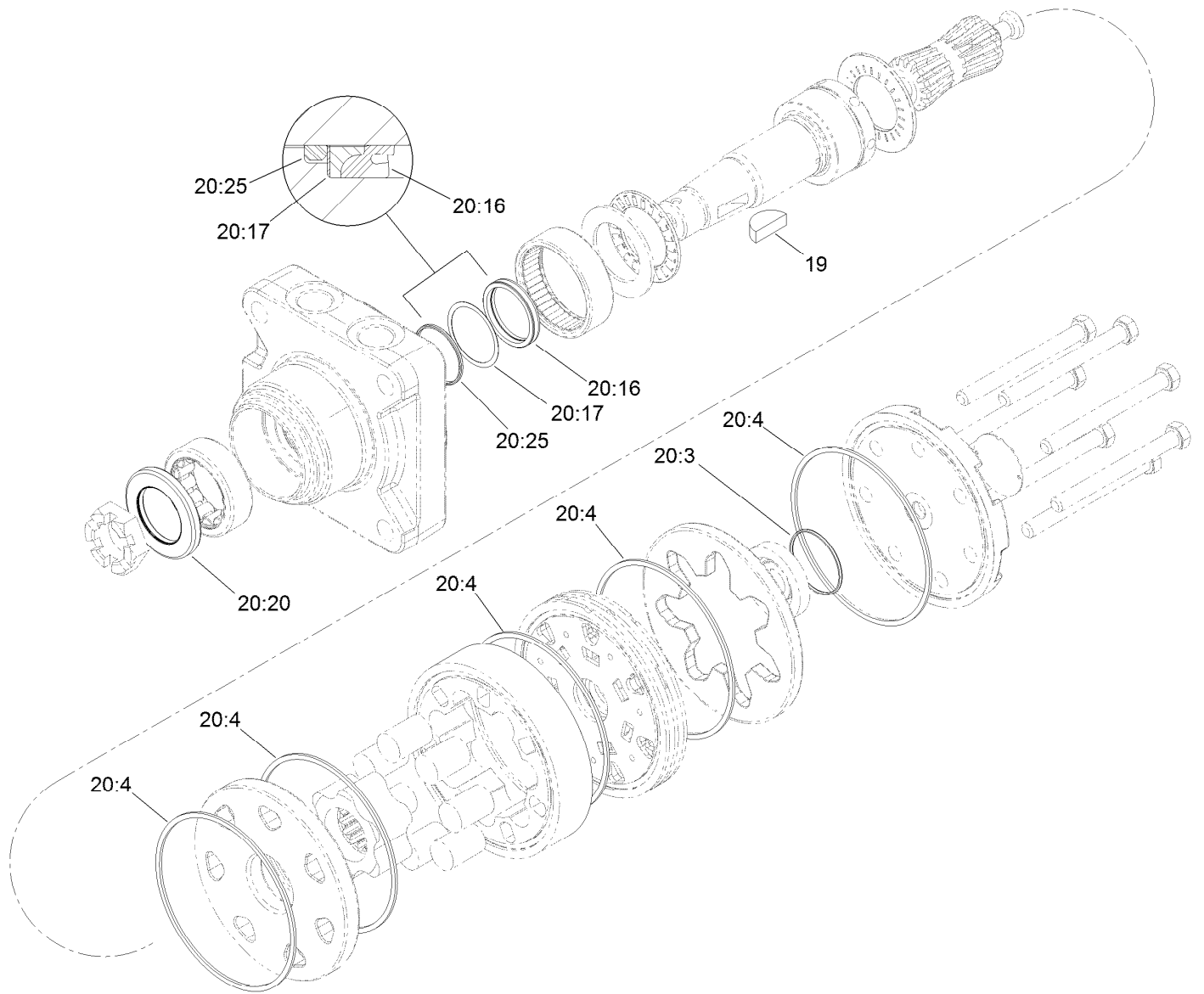


## Hydraulic Motor Assembly No. 137-2479

<i>Ref.</i>	<i>Part Number</i>	<i>Qty.</i>	<i>Description</i>
19	3257-42	1	Key-Woodruff
20	110-8896	1	Seal Kit ●
20:3		1	Seal-Commutator, Vespel ■
20:4		6	Seal-Body, Buna ■
20:16		1	Seal-Shaft ■
20:17		1	Washer-Back Up ■
20:20		1	Seal-Dirt/Water ■
20:25		1	Ring-Back Up ■

● Not illustrated

■ Not serviced separately

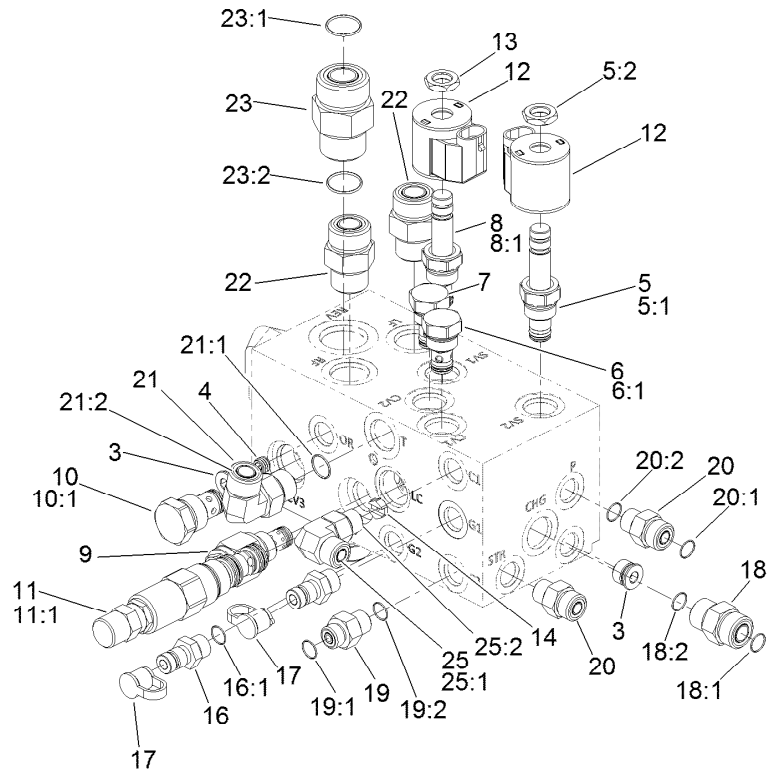
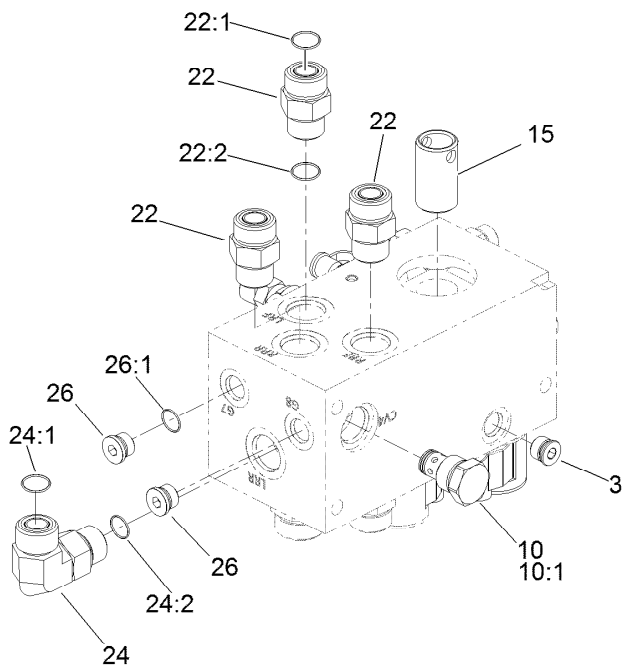


## Hydraulic Motor Assembly No. 137-2459

<i>Ref.</i>	<i>Part Number</i>	<i>Qty.</i>	<i>Description</i>
19	3257-42	1	Key-Woodruff
20	110-8896	1	Seal Kit ●
20:3		1	Seal-Commutator, Vespel ■
20:4		6	Seal-Body, Buna ■
20:16		1	Seal-Shaft ■
20:17		1	Washer-Back Up ■
20:20		1	Seal-Dirt/Water ■
20:25		1	Ring-Back Up ■

● Not illustrated

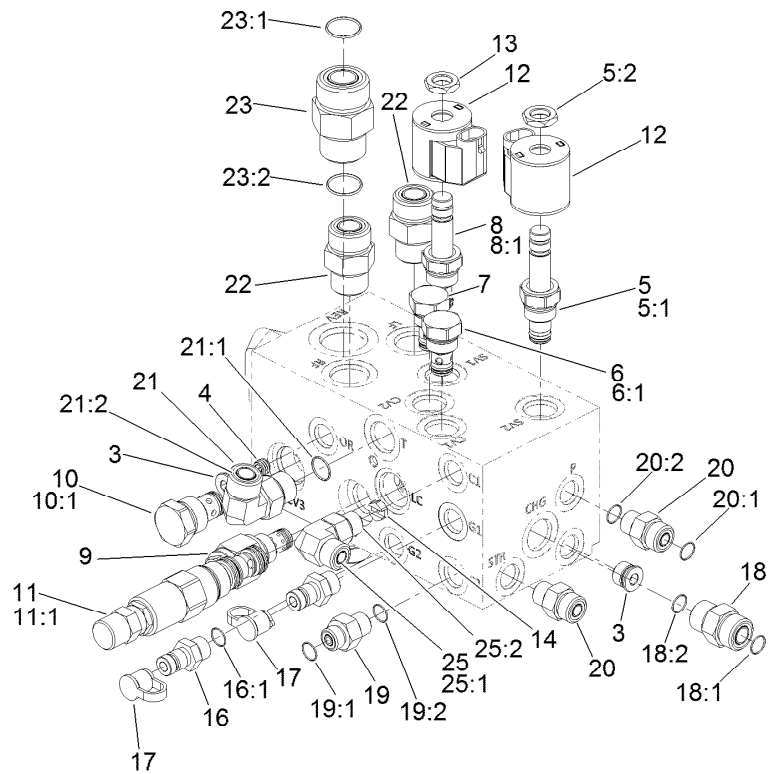
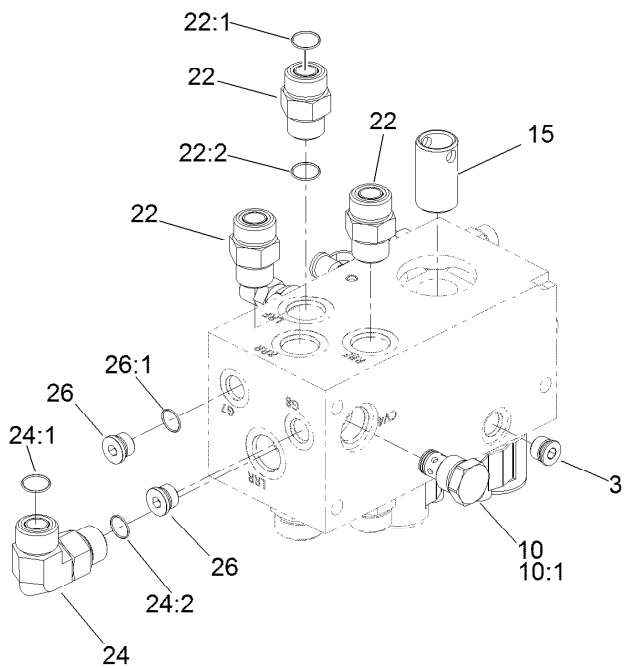
■ Not serviced separately



## Steer/Lift Manifold Assembly No. 138-4489

Ref.	Part Number	Qty.	Description	Ref.	Part Number	Qty.	Description
3	112-9213	3	Plug	14	139-6296	1	Orifice-Check 0.100 DIA
4	110-8883	1	Plug-Orifice (0.040)	15	139-6297	1	Nipple-Filter
5	112-9206	1	Solenoid Valve ASM	16	59-7410	2	Fitting-Diagnostic
5:1	105-9156	1	Seal Kit	16:1	237-42	1	O-Ring
5:2	110-2634	1	Nut-Coil	17	354-79	2	Cap-Dust
6	114-2873	1	Check Valve ASM	18	340-4	1	Fitting-Straight
6:1	105-9156	1	Seal Kit	18:1	237-30	1	O-Ring
7	139-1213	1	Valve-Check	18:2	237-79	1	O-Ring
8	120-6562	1	Valve-Solenoid	19	340-1	1	Fitting-Straight
8:1	105-9156	1	Seal Kit	19:1	237-21	1	O-Ring
9	139-6298	1	Valve-Relief (Bi-Directional)	19:2	237-42	1	O-Ring
10	110-8881	2	Valve-Check	20	340-2	2	Fitting-Straight
10:1	105-9159	1	Seal Kit ●	20:1	237-22	1	O-Ring
11	144-0501	1	Valve-Logic, 220 PSI (Adjustable)	20:2	237-42	1	O-Ring
11:1	119-2159	1	Seal Kit	21	340-98	1	Fitting-Elbow, 90 DEG
12	110-0497	2	Coil-Solenoid	21:1	237-79	1	O-Ring
13	110-2634	2	Nut-Coil	21:2	237-30	1	O-Ring
				22	340-7	5	Fitting-Straight

● Not illustrated

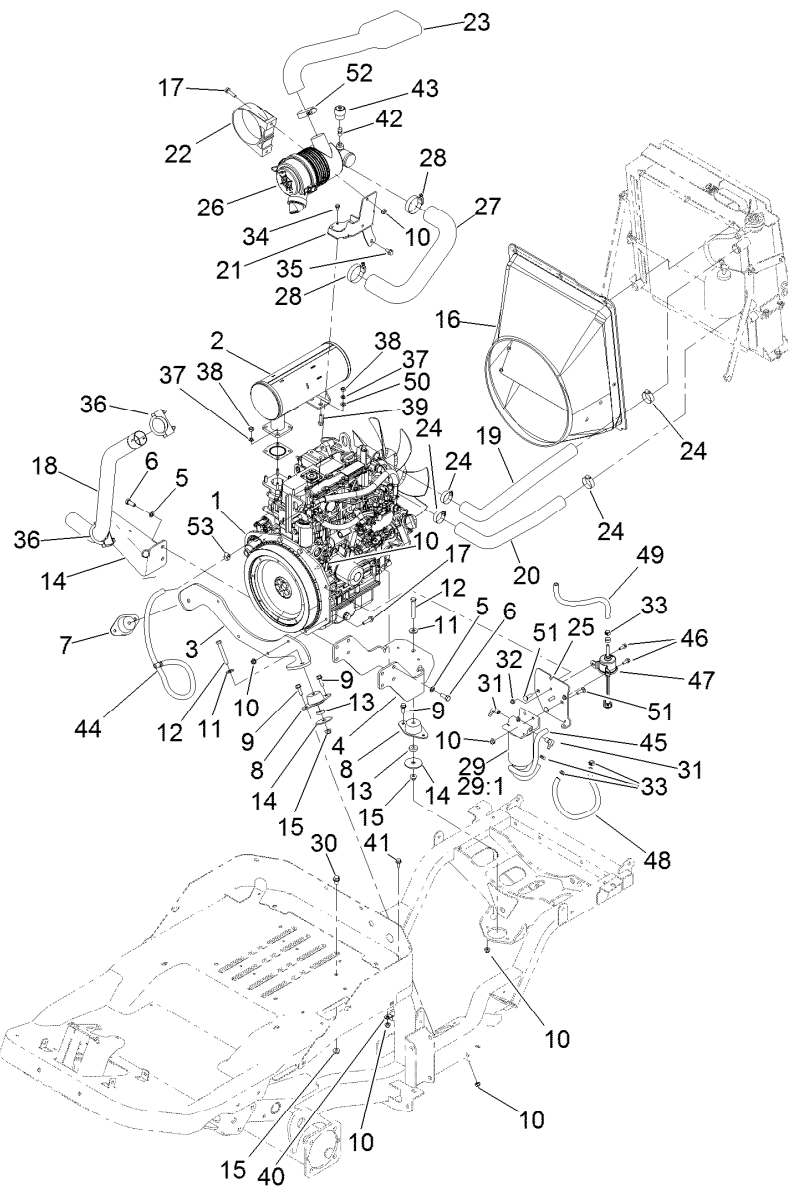


## Steer/Lift Manifold Assembly No. 138-4489 (continued)

Ref.	Part Number	Qty.	Description
22:1	237-65	1	O-Ring
22:2	237-80	1	O-Ring
23	340-9	1	Fitting-STR
23:1	237-58	1	O-Ring
23:2	237-81	1	O-Ring
24	340-17	1	Fitting-Elbow, 90 DEG
24:1	237-65	1	O-Ring

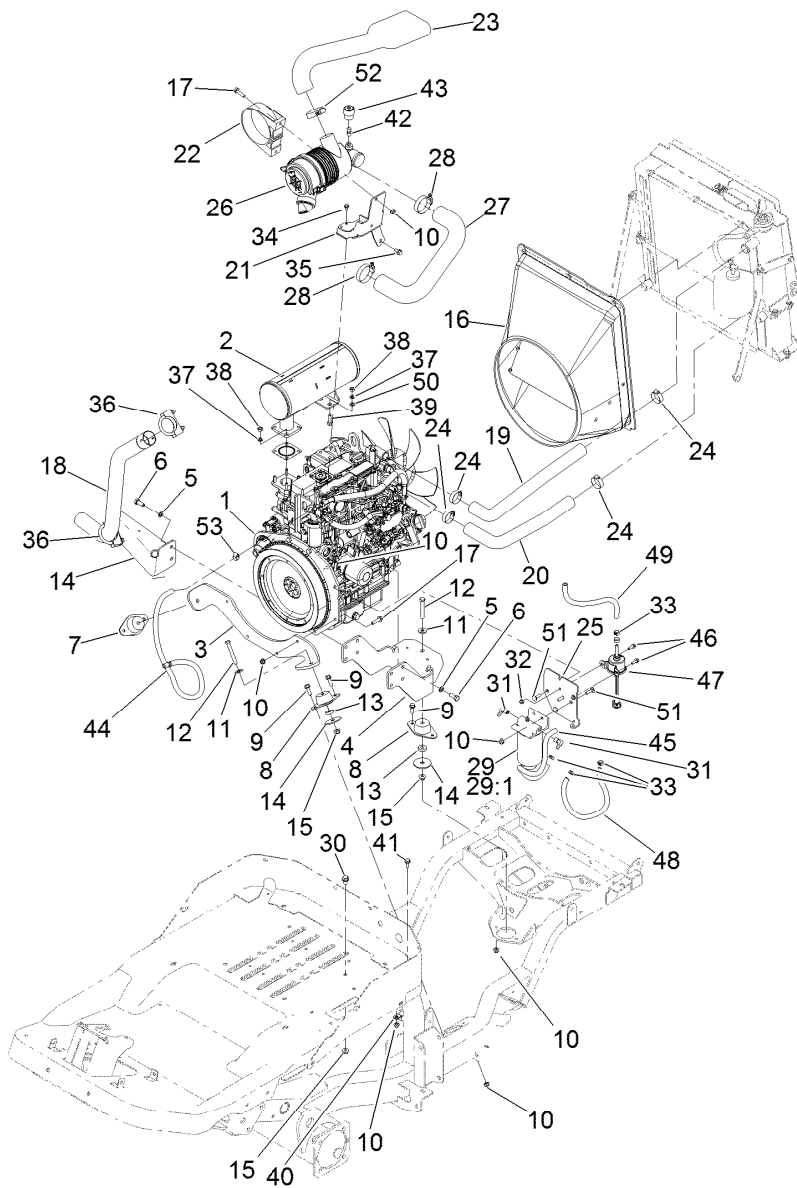
Ref.	Part Number	Qty.	Description
24:2	237-80	1	O-Ring
25	340-77	1	Fitting-Elbow, 90 DEG
25:1	237-22	1	O-Ring
25:2	237-42	1	O-Ring
26	353-989	2	Plug-Hex, Hollow
26:1	237-42	1	O-Ring

● Not illustrated



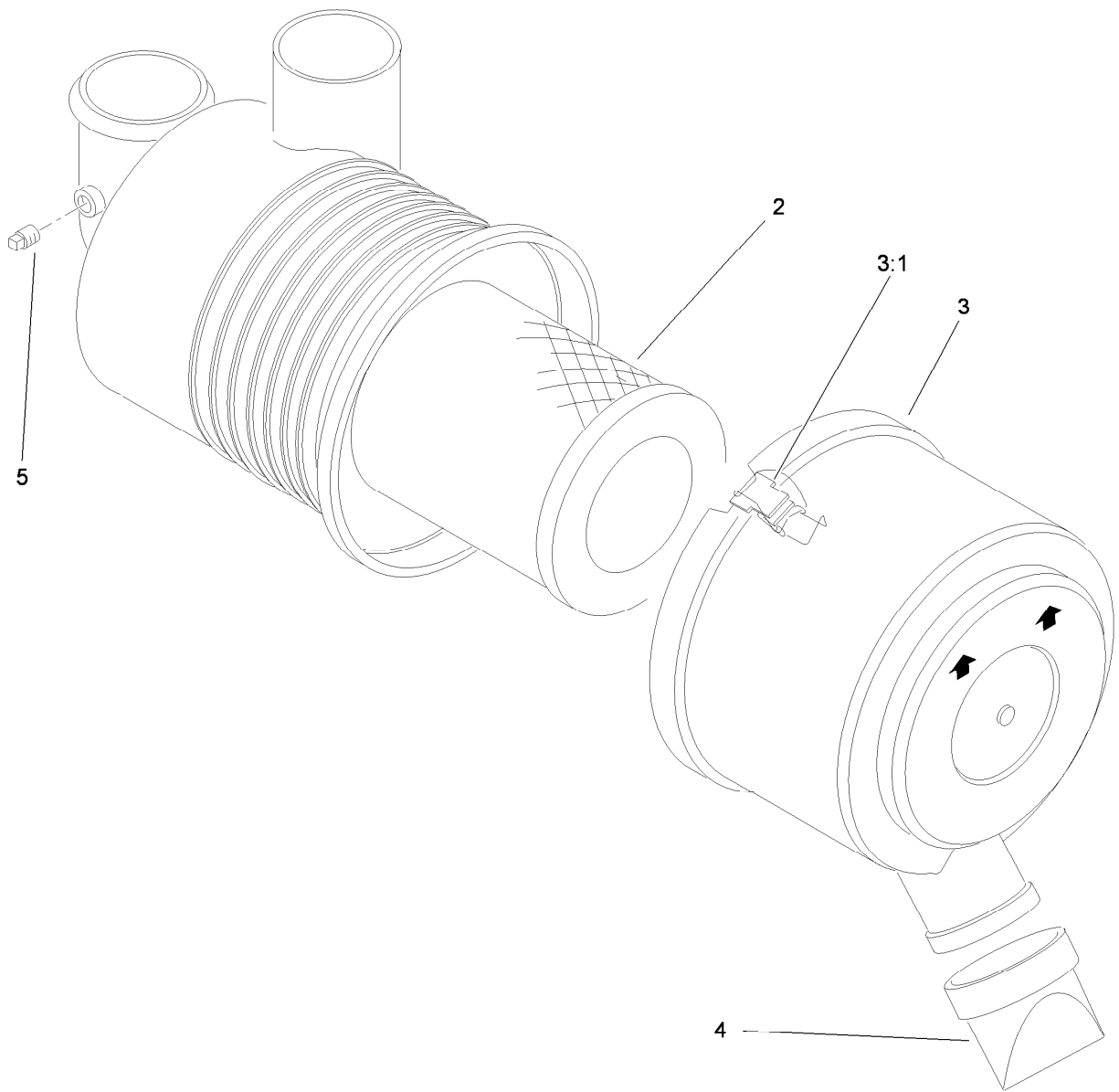
## Engine, Air Cleaner and Exhaust Assembly

Ref.	Part Number	Qty.	Description	Ref.	Part Number	Qty.	Description
1	139-6182	1	Engine-Yanmar 3Tnv80F-Nxdtr	19	138-4493	1	Hose-Radiator, Upper
2	139-6269	1	Muffler ASM	20	138-4494	1	Hose-Radiator, Lower
3	138-4464-0P	1	Mount-Engine, Front [primed]	21	138-4486-0P	1	Bracket-Air Cleaner [primed]
4	138-0424-0P	1	Mount-Engine, Rear 24HP [primed]	22	95-5806	1	Bracket-Mounting, Air Cleaner
5	48-9590	8	Washer-Lock	23	138-4460	1	Hose-Intake, Air Cleaner
6	33115-025	8	Screw-HH	24	2412-34	4	Clamp-Hose
7	139-0856	1	Mount-Engine	25	138-4472-0P	1	Angle-Filter Mount
8	125-5244	2	Mount-Engine	26	93-2190	1	Air Cleaner ASM
9	3234-29	5	Screw-HHF	27	137-5881	1	Hose-Intake
10	104-8300	16	Nut-HF, NI	28	2412-92	2	Clamp-Hose
11	80-6990	3	Washer-Hardened	29	110-9044	1	Separator-Filter
12	323-14	3	Screw-HH	29:1	110-9049	1	Filter-Spin On, Fuel/Water
13	138-6462	3	Support-Isolator	30	3234-9	1	Screw-HHF
14	144-0515-03	1	Support-Tailpipe	31	353-781	2	Fitting-HYD, 90
15	104-8301	4	Nut-HF, NI	32	104-7201	2	Nut-HF, NI
16	139-6279	1	Shroud - Fan ASM	33	92-2379	5	Clamp-Hose
17	3234-36	6	Screw-HHF	34	33103-016	3	Screw-HHF
18	144-0570	1	Pipe-Exhaust	35	33104-016	1	Screw-HHF
				36	18-2130	2	Clamp
				37	3253-4	6	Washer-Lock



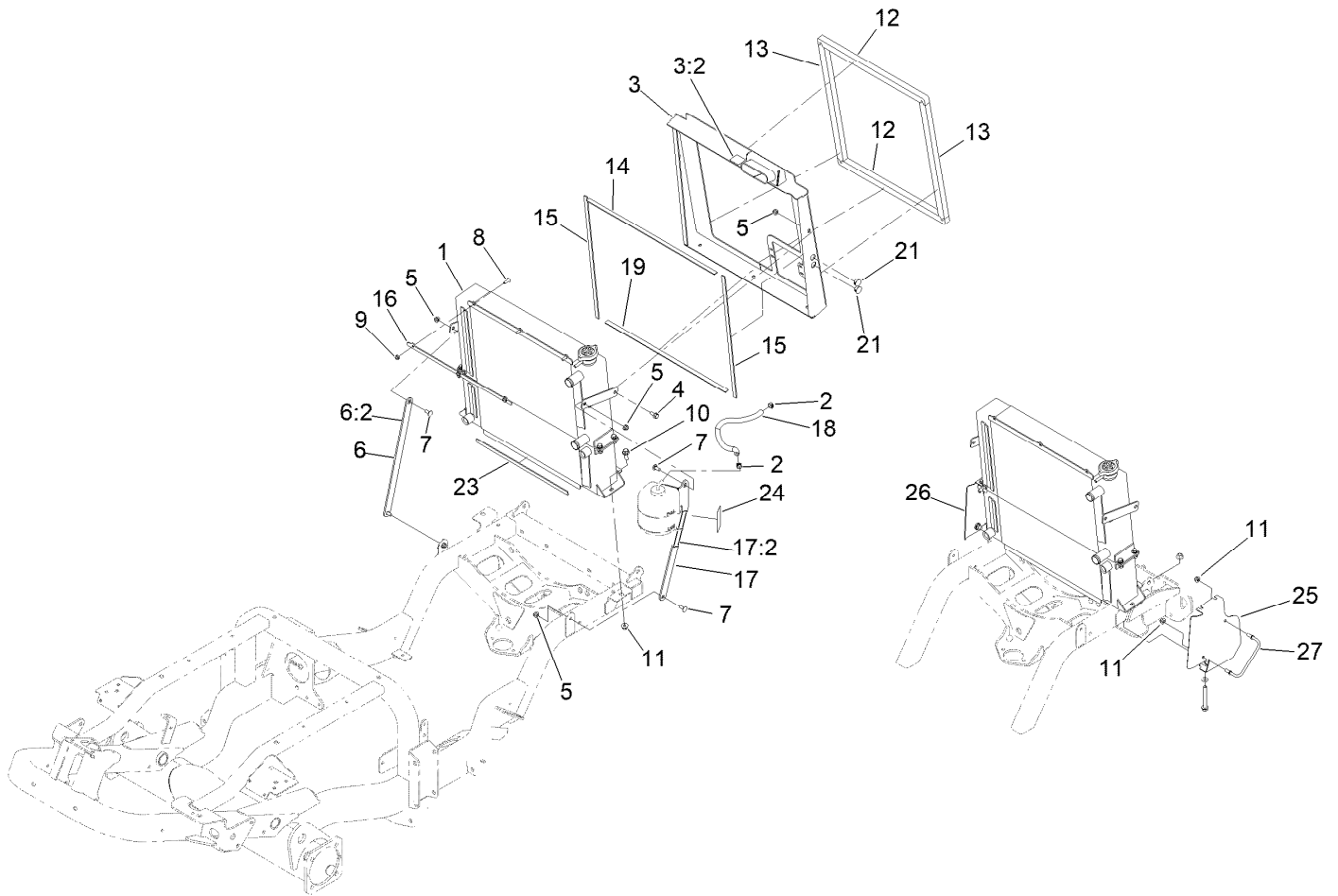
## Engine, Air Cleaner and Exhaust Assembly (continued)

<i>Ref.</i>	<i>Part Number</i>	<i>Qty.</i>	<i>Description</i>	<i>Ref.</i>	<i>Part Number</i>	<i>Qty.</i>	<i>Description</i>
38	33014-00	6	Nut-Hex	46	3234-4	2	Screw-HHF
39	33104-030	2	Screw-HHF	47	121-5613	1	Pump-Fuel, Electric
40	120-1959	1	Clamp	48	110-4101	1	Hose-Fuel
41	3234-47	1	Screw-HHF	49	110-4104	1	Hose-Fuel
42	94-1416	1	Adapter-Indicator	50	88-7200	2	Washer-Flat
43	93-9164	1	Indicator-Mini	51	3230-2	4	Bolt-CARR
44	132-7563	1	Hose-Breather, Transmission	52	2412-130	1	Clamp-Hose
45	110-4112	1	Hose-Fuel	53	2412-108	1	Clamp-Worm



## Air Cleaner Assembly No. 93-2190

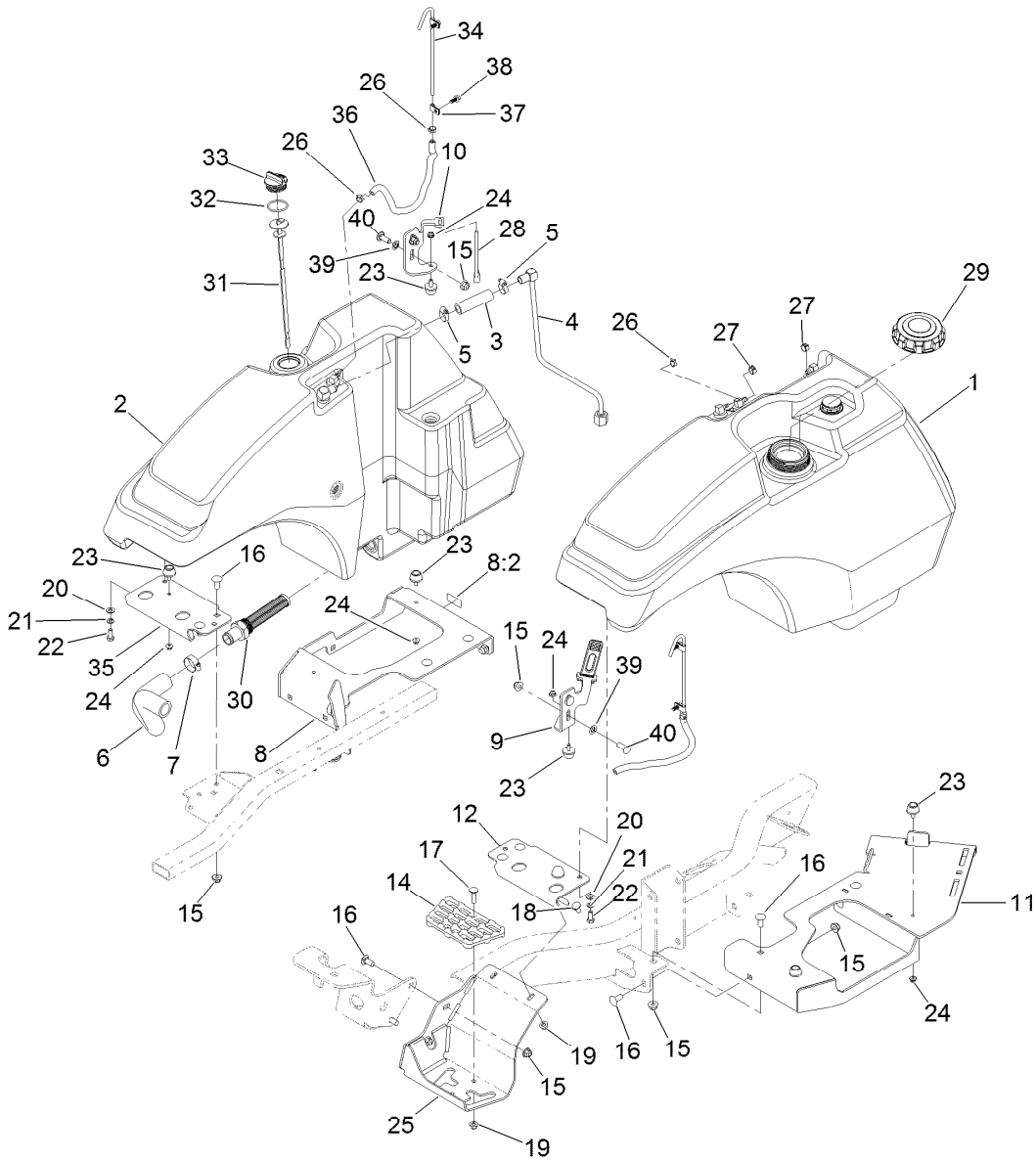
<i>Ref.</i>	<i>Part Number</i>	<i>Qty.</i>	<i>Description</i>
2	108-3811	1	Filter-Air
3	94-3652	1	Cover ASM
3:1	1-643283	2	Latch-Cleaner, Air
4	87-9400	1	Valve-Vacuator
5	285-17	1	Plug-Pipe



## Radiator and Cooler Assembly

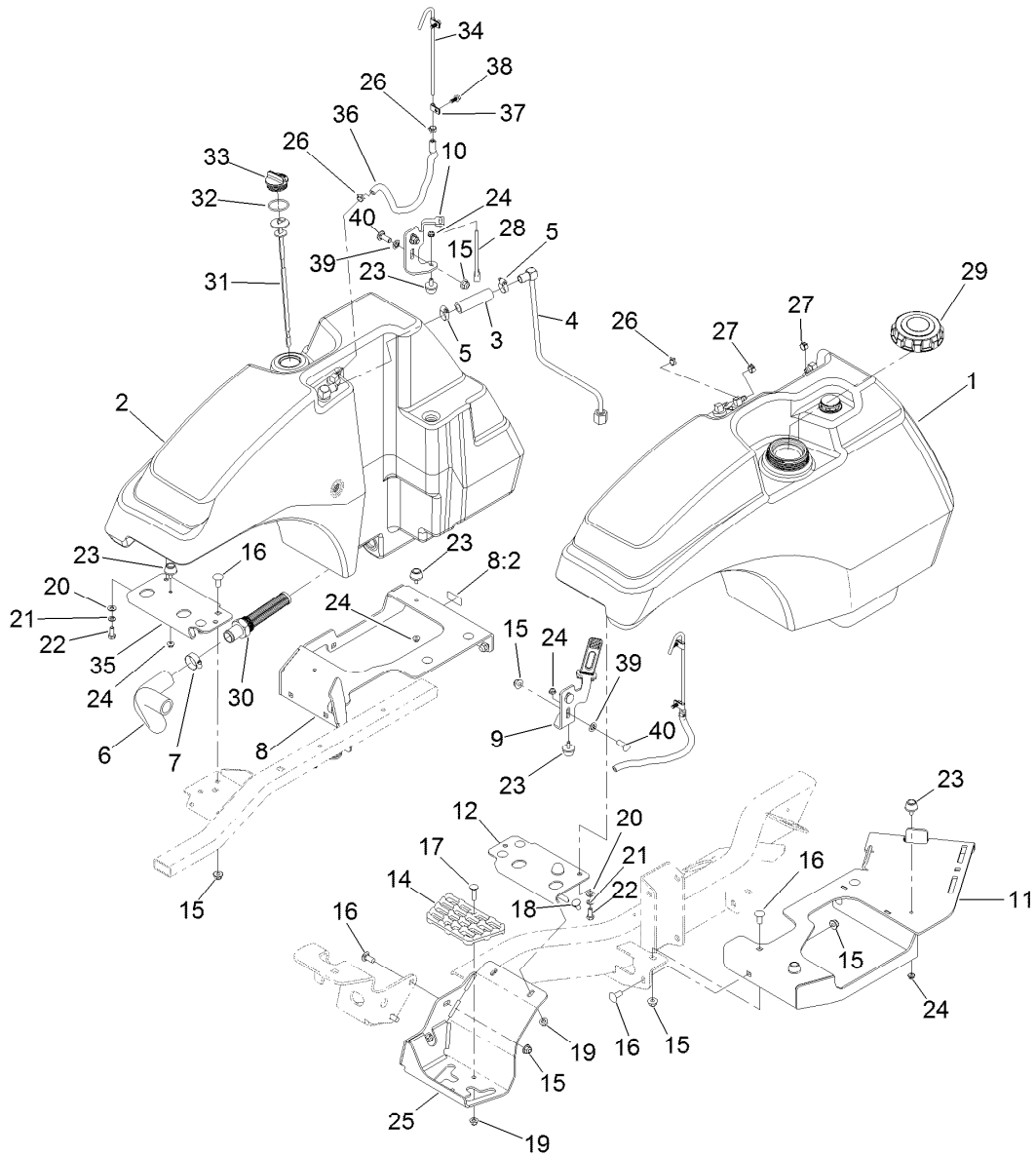
<i>Ref.</i>	<i>Part Number</i>	<i>Qty.</i>	<i>Description</i>	<i>Ref.</i>	<i>Part Number</i>	<i>Qty.</i>	<i>Description</i>
1	138-7420	1	Radiator/Oil Cooler ASM	13	138-4411	2	Seal-Foam
2	92-2379	2	Clamp-Hose	14	138-4453	1	Foam-Radiator
3	139-6232	1	Shroud-Cooler ASM	15	138-4454	2	Foam-Radiator, Side
3:2	115-8155	1	Decal-Warning	16	138-4461-0P	1	Bracket-Shroud Retainer
4	3234-47	2	Screw-HHF	17	139-6230	1	Bracket-Bottle Mount
5	104-8300	15	Nut-HF, NI	17:2	93-7272	1	Decal-Warning
6	139-6229	1	Strap-Cooler	18	106-1126	1	Hose-Fuel
6:2	93-7272	1	Decal-Warning	19	108-1393	1	Strip-Foam
7	3230-23	9	Bolt-CARR	21	130-8439	2	Plug-Dome
8	1-807512	3	Bolt-CARR	23	130-9182	1	Foam-Radiator, Short
9	104-7201	3	Nut-HF, NI	24	144-0472	1	Decal-Coolant Level
10	3234-42	2	Screw-HHF	25	144-0537-03	1	Bracket-Cooler Shroud, LH
11	104-8301	2	Nut-HF, NI	26	144-0544-03	1	Bracket-Cooler Shroud, RH
12	138-4410	2	Seal-Foam	27	144-3905	2	Guide-Hose





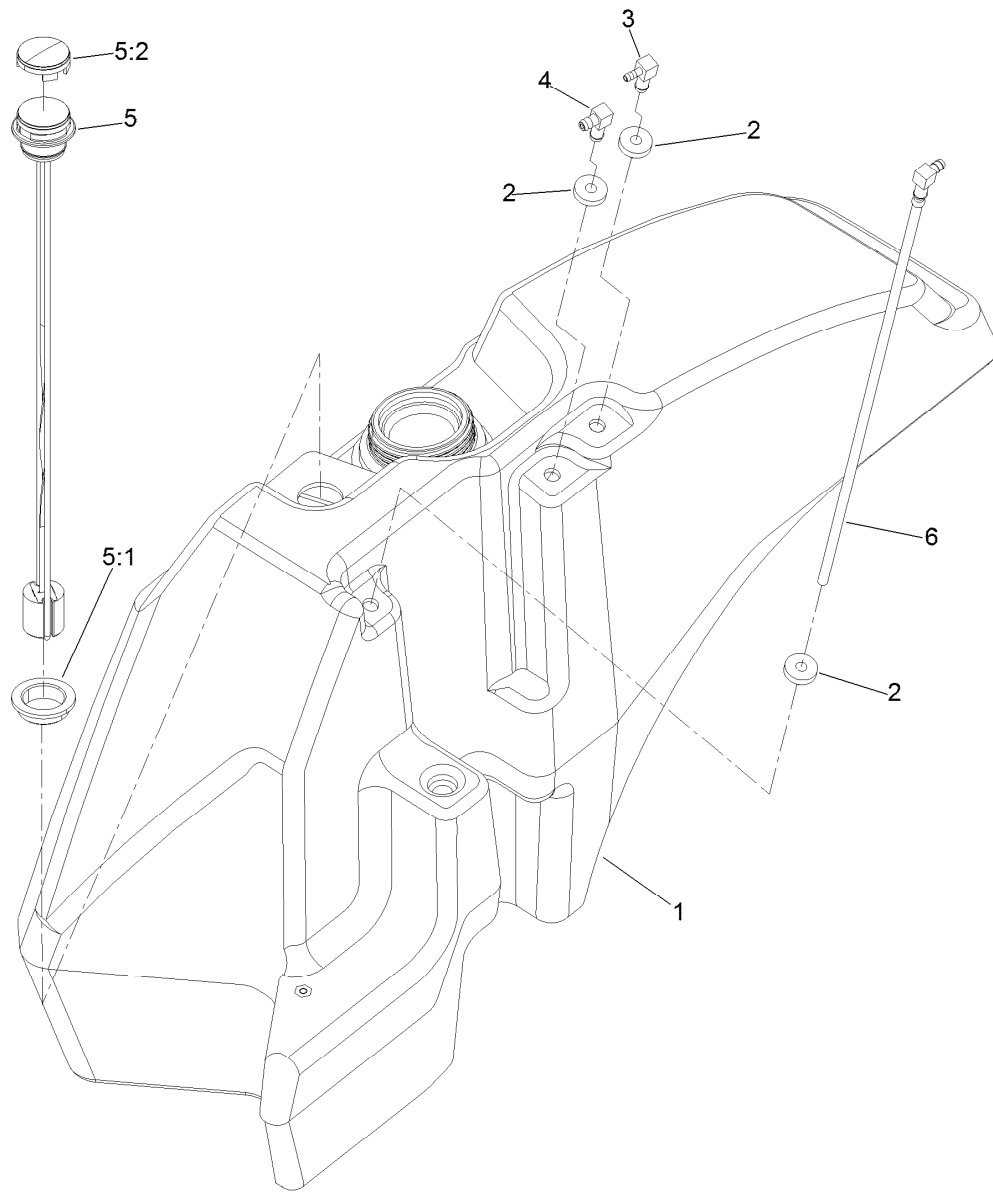
## Fuel and Hydraulic Tank Assembly

Ref.	Part Number	Qty.	Description	Ref.	Part Number	Qty.	Description
1	138-0291	1	Fuel Tank	19	104-8300	3	Nut-HF, NI
2	138-4418	1	Hydraulics Tank ASM	20	3256-23	2	Washer-Plain
3	114-4920	1	Hose	21	3253-4	2	Washer-Lock
4	138-7392	1	Hydraulic Tube ASM	22	322-3	2	Screw-HH
5	2412-119	2	Clamp-Hose, Worm Drive	23	109-2365	8	Bumper-Rubber
6	138-7361	1	Hose-Suction	24	104-7201	8	Nut-HF, NI
7	2412-34	1	Clamp-Hose	25	139-0927-01	1	Bracket-Mount, Step
8	139-6228	1	Tank Support-Hydraulic	26	2412-98	4	Clamp-Hose
8:2	127-0392	1	Decal-Hot Surface	27	92-2379	2	Clamp-Hose
9	138-0441-03	1	Bracket-Tank Hold Down, LH	28	131-8402	2	Strap-Down, Hold
10	138-7315-03	1	Bracket-Tank Hold Down, RH	29	125-9171	1	Cap-Fuel
11	138-4404-03	1	Tray-Tank/Battery	30	138-7499	1	Fitting-Strainer
12	138-7365-03	1	Bracket-Tank Mount, Front LH	31	138-7388	1	Dipstick
14	126-4781	1	Step-Deck	32	94-8166	1	O-Ring
15	104-8301	19	Nut-HF, NI	33	93-7498	1	Plug-Plastic
16	3231-27	15	Screw-CARR	34	139-6252	2	Tube-Vent
17	3230-3	1	Screw-CARR	35	139-0940-03	1	Bracket-Tank Mount, Front RH
18	3230-23	2	Bolt-CARR	36	139-6253	2	Hose-Fuel
				37	2412-72	4	Clip-Closed, Insulated
				38	99-6810	4	Screw-HHF



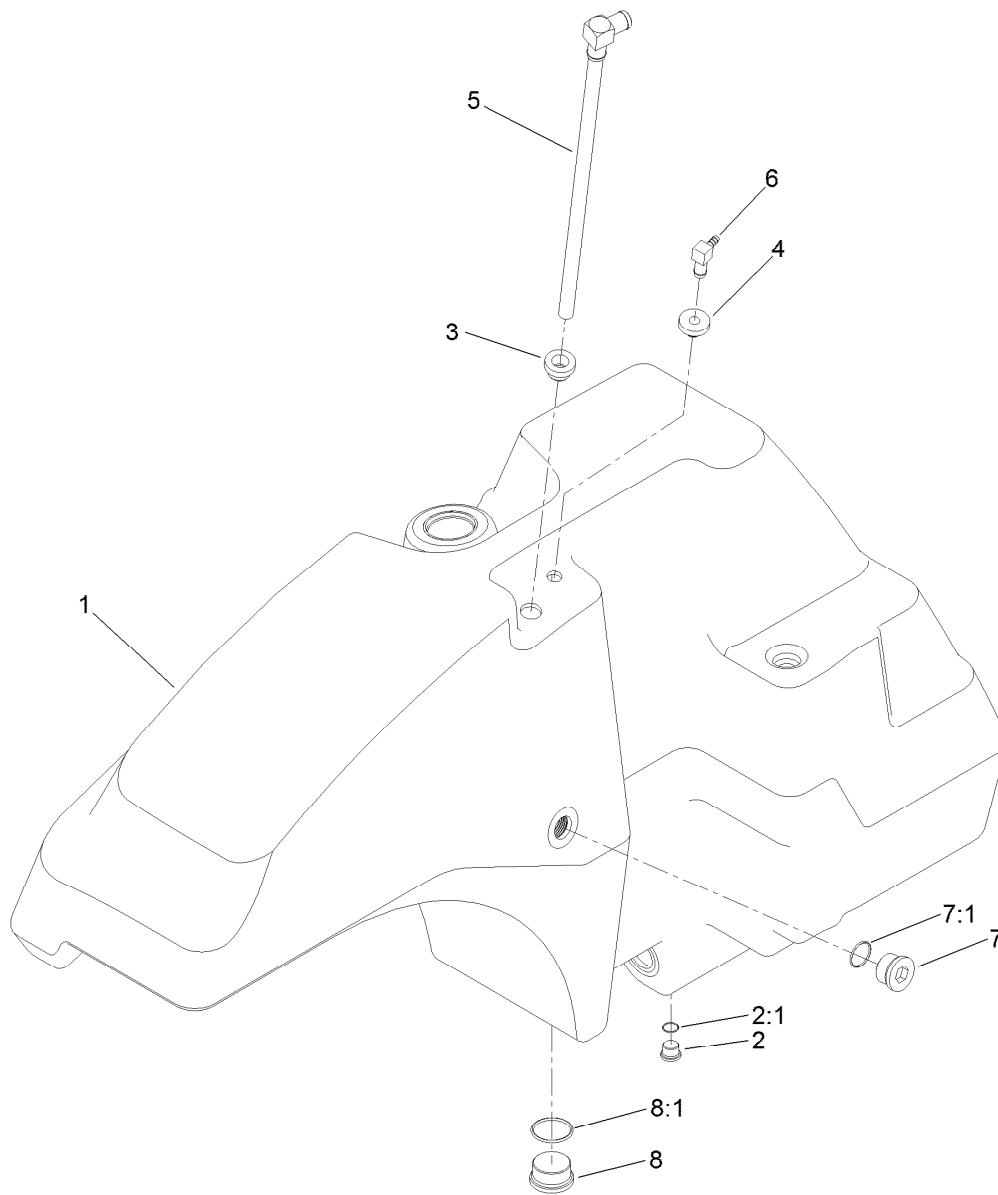
## Fuel and Hydraulic Tank Assembly (continued)

<i>Ref.</i>	<i>Part Number</i>	<i>Qty.</i>	<i>Description</i>
39	107-3154	6	Nut-Push
40	3231-22	4	Screw-CARR



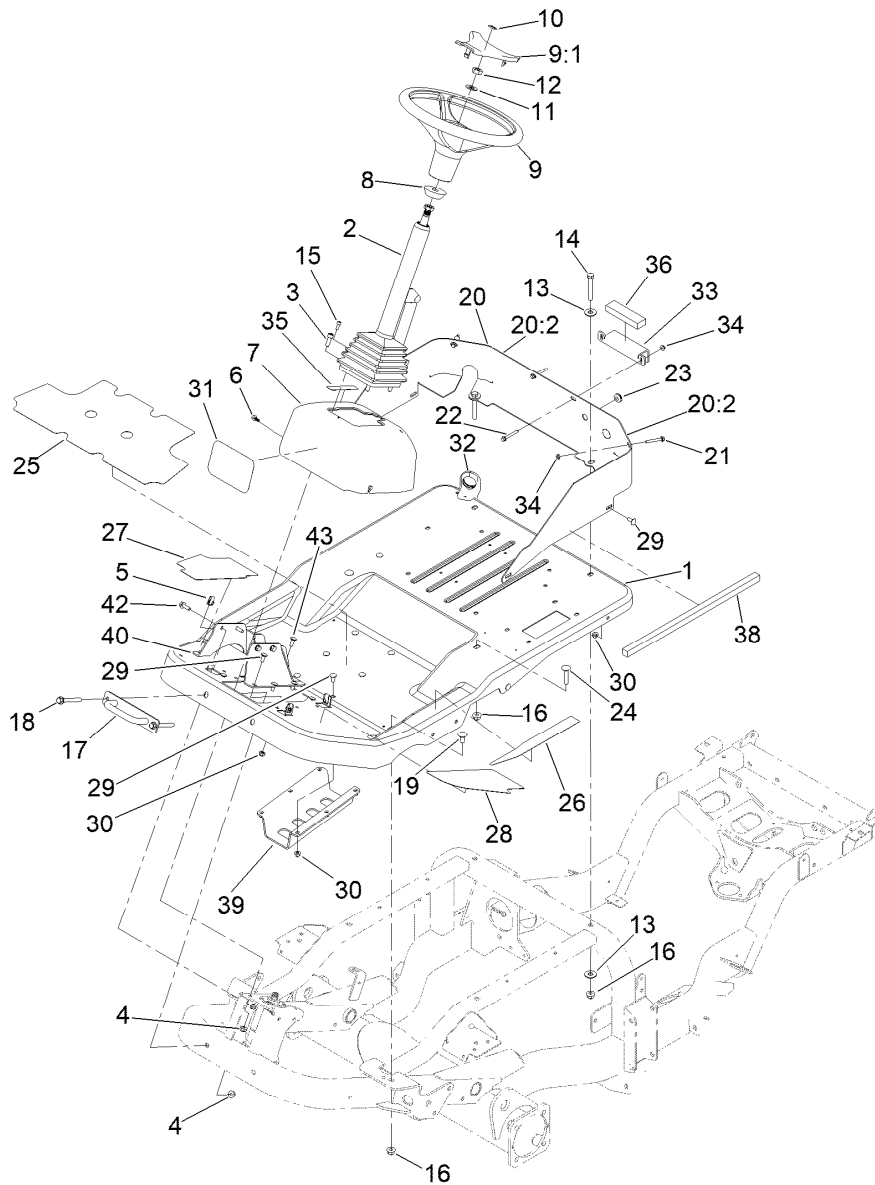
## Fuel Tank Assembly No. 138-0291

<i>Ref.</i>	<i>Part Number</i>	<i>Qty.</i>	<i>Description</i>
1	138-7385	1	Fuel Tank W/Inserts ASM
2	46-6560	3	Bushing
3	104-5228	1	Fitting-Elbow, 90 DEG
4	46-6550	1	Fitting-Elbow, 90 DEG
5	139-0872	1	Gauge-Fuel
5:1	119-0508	1	Seal
5:2	117-8404	1	Dial-Gauge
6	138-7389	1	Pipe-Stand



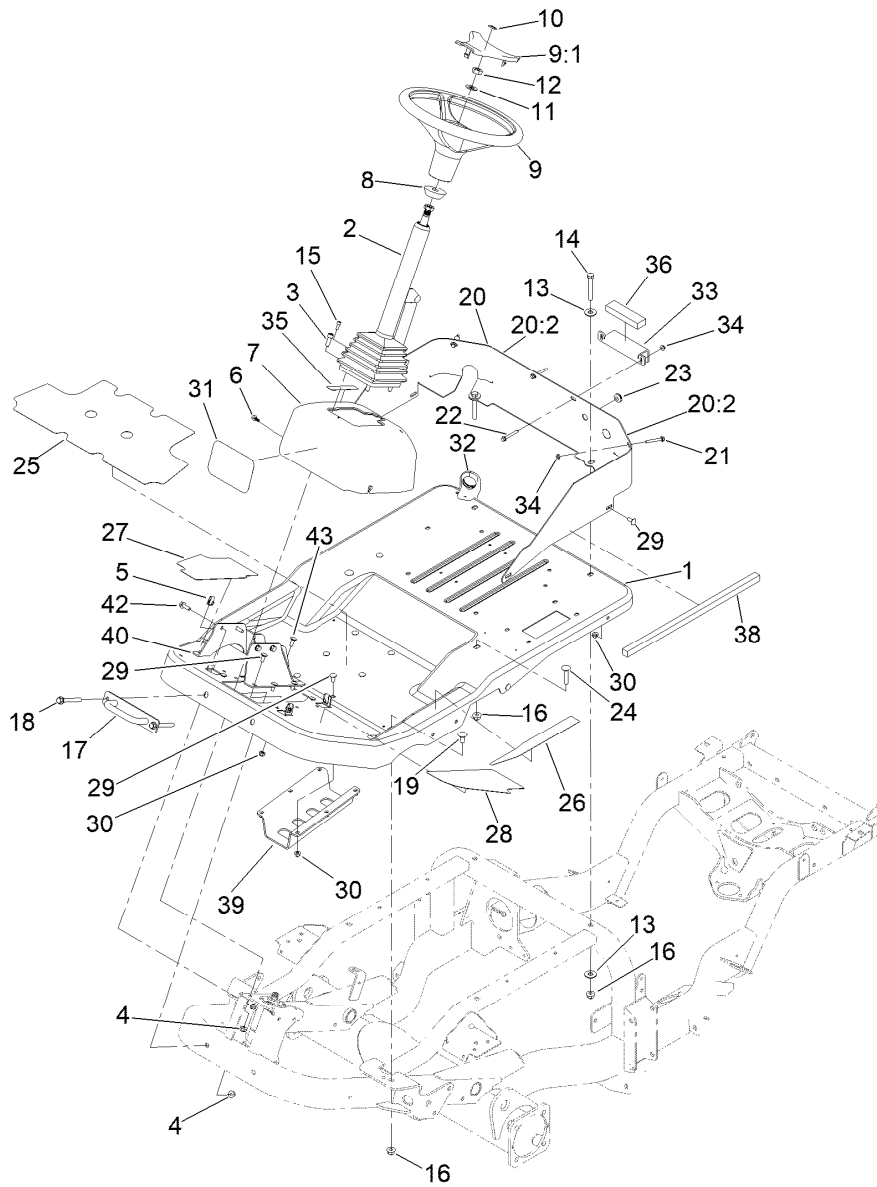
## Hydraulic Tank Assembly No. 138-4418

Ref.	Part Number	Qty.	Description
1	138-7386	1	Tank-Hydraulic W/Inserts
2	353-989	1	Plug-Hex, Hollow
2:1	237-42	1	O-Ring
3	104-0790	1	Bushing
4	46-6560	1	Bushing
5	138-7384	1	Tube-Drop
6	104-5228	1	Fitting-Elbow, 90 DEG
7	139-6333	1	Fitting-Plug
7:1	237-81	1	O-Ring
8	105-3921	1	Fitting-Plug
8:1	237-146	1	O-Ring



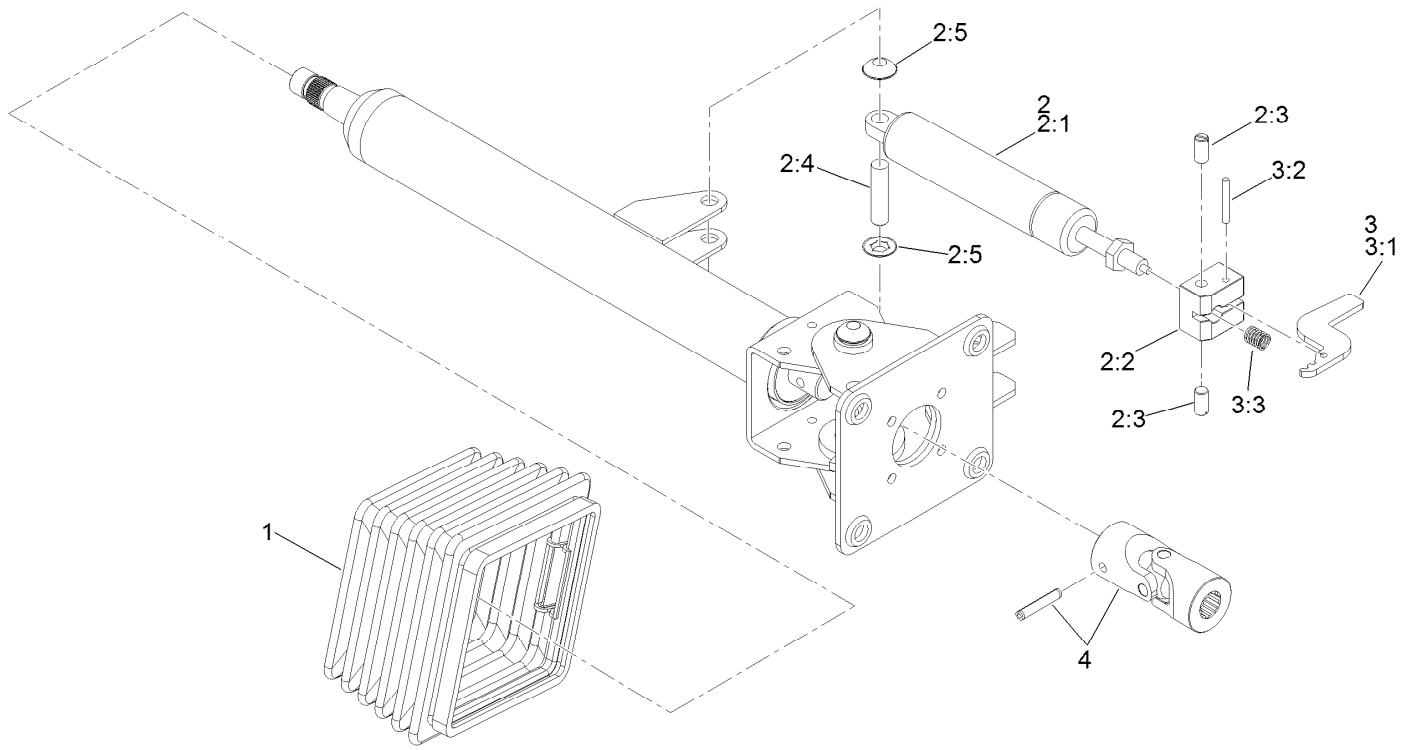
## Platform, Steering and Console Assembly

Ref.	Part Number	Qty.	Description	Ref.	Part Number	Qty.	Description
1	144-4030SP	1	Platform-Stamped	20:2	132-1316	2	Decal-Danger, Belt
2	139-0857	1	Column-Steering, Tilt	21	125-4287	2	Screw-HHF
3	3274-7	4	Screw-HSH	22	3234-34	2	Screw-HHF
4	104-8301	6	Nut-HF, NI	23	1-633630	1	Grommet
5	107069	4	Clip	24	3232-5	2	Screw-CARR
6	99-6810	4	Screw-HHF	25	144-4029	1	Tread-Foot, Main
7	138-7494	1	Cover-Steering	26	139-0859	1	Tread-Foot, Side
8	93-5429	1	Collar-Foam	27	139-0885	1	Tread-Foot, Front RH
9	98-1471	1	Wheel-Steering	28	139-0886	1	Tread-Foot, Front LH
9:1	98-1468	1	Cover-Wheel, Steering	29	3230-23	15	Bolt-CARR
10	98-1459	1	Decal	30	104-8300	22	Nut-HF, NI
11	3256-27	1	Washer-Flat	31	105-1217	1	Decal
12	3296-33	1	Nut-Lock, NI	32	144-0473	1	Plug-Harness, Firewall
13	3256-40	4	Washer-Flat	33	139-2166-0P	1	Bracket-Hood Support
14	324-12	2	Screw-HH	34	104-7201	4	Nut-HF, NI
15	105-2409	4	Screw-HSH	35	140-1460	1	Decal-Traction Pedal
16	114-8417	6	Nut-HF, NI	36	139-6202	1	Foam-Strip
17	138-0288	1	Bracket-Down, Tie	38	139-6207	1	Foam-Strip
18	3234-41	2	Screw-HHF	39	144-3954-03	1	Guard-Tubes, Hydraulic
19	3232-1	2	Screw-CARR	40	145-5983-0P	1	Bracket-Steering Mount [primed]
20	144-0528	1	Plate-Firewall, Lower				



## Platform, Steering and Console Assembly (continued)

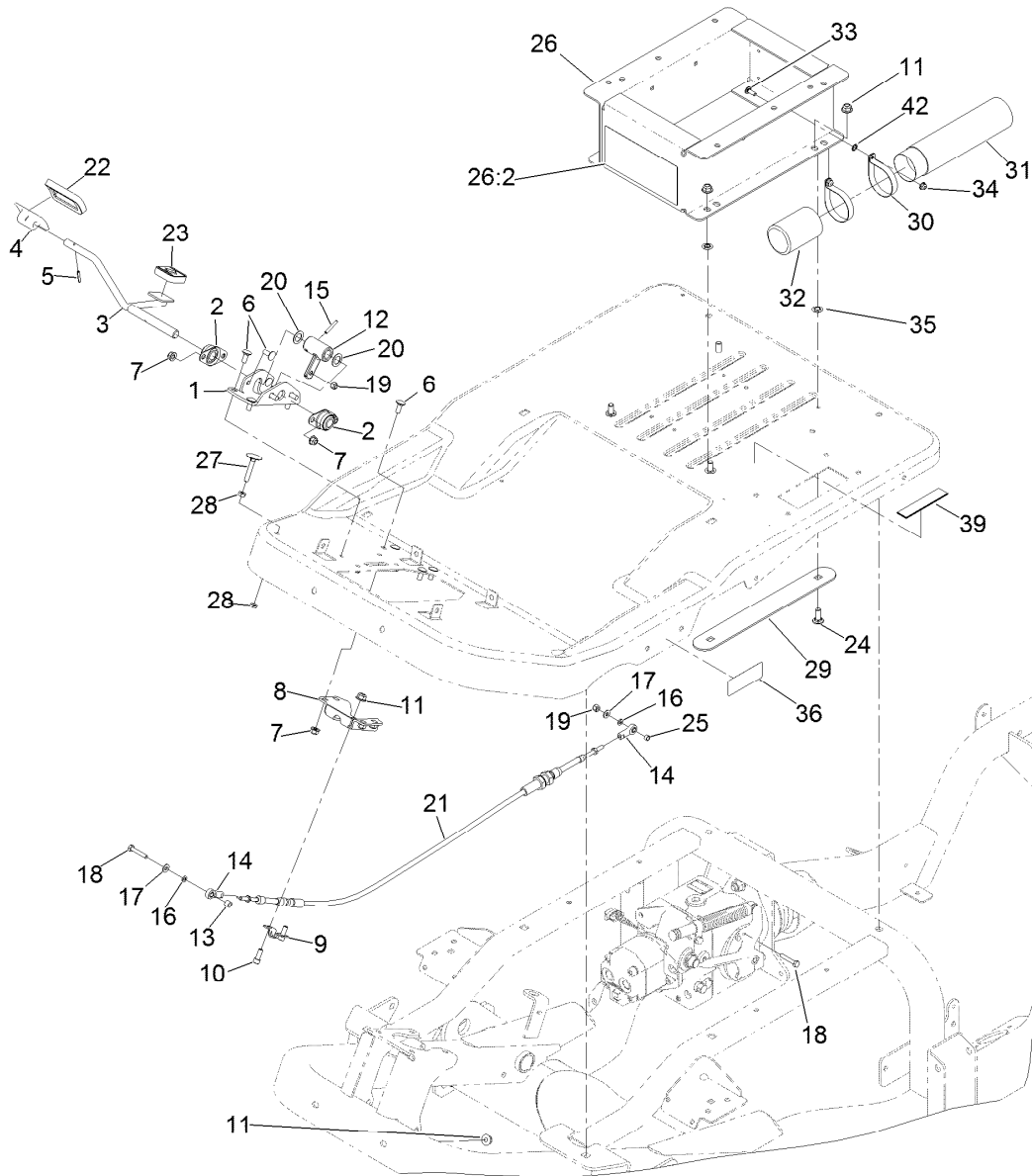
<i>Ref.</i>	<i>Part Number</i>	<i>Qty.</i>	<i>Description</i>
42	3234-29	4	Screw-HHF
43	3230-10	1	Bolt-CARR



## Steering Column Assembly No. 139-0857

Ref.	Part Number	Qty.	Description
1	110-6462	1	Bellows-Rubber
2	110-6463	1	Cylinder Service Kit
2:1		1	Cylinder-Gas ●
2:2		1	Block-Pedal ●
2:3		2	Bolt ●
2:4		1	Pin ●
2:5		2	Washer-Lock ●
3	136-4385	1	Pedal Service Kit
3:1		1	Pedal ●
3:2		1	Pin ●
3:3		1	Spring ●
4	120-6256	1	Universal Joint Kit

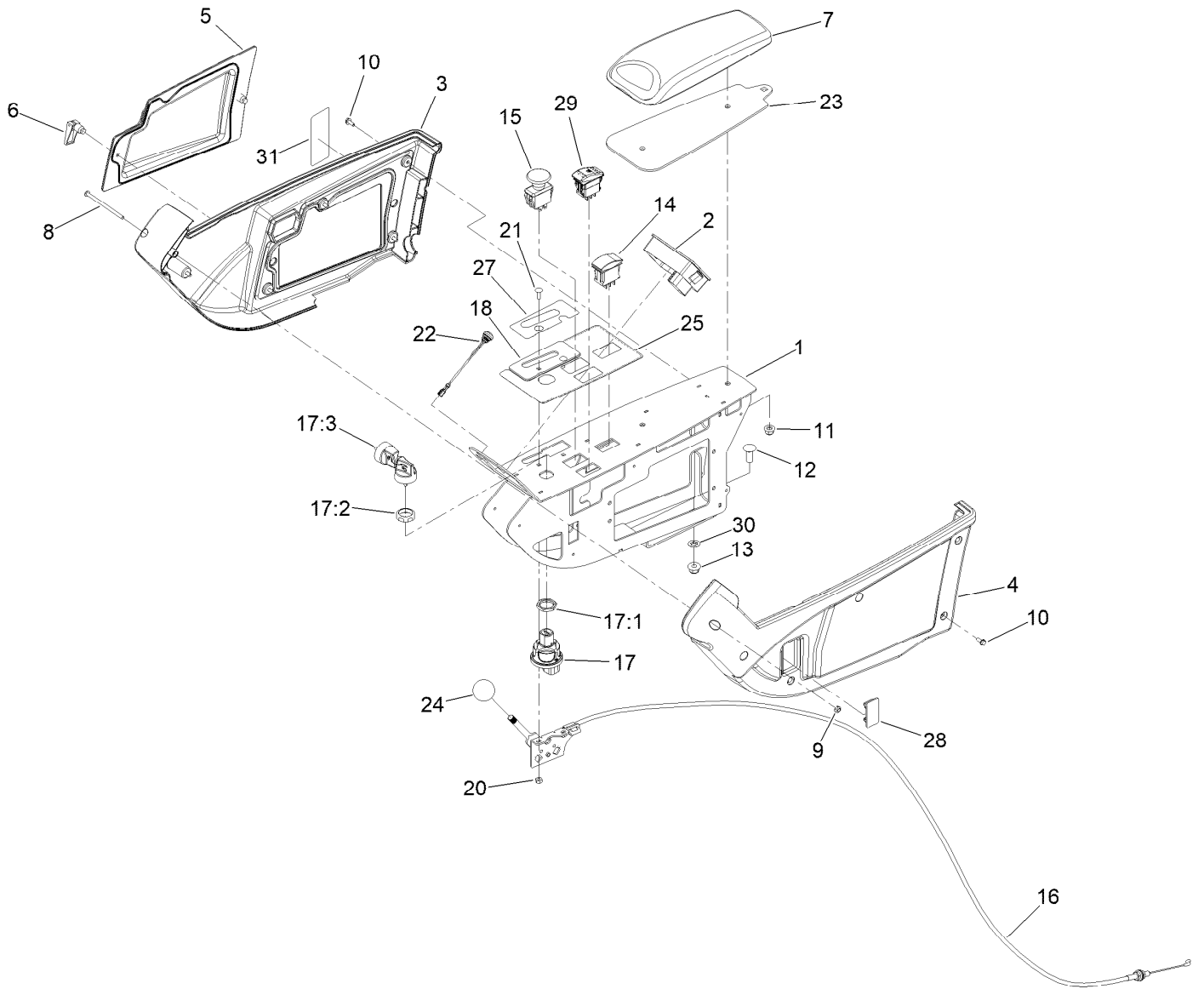
● Not serviced separately



## Traction Pedal Assembly

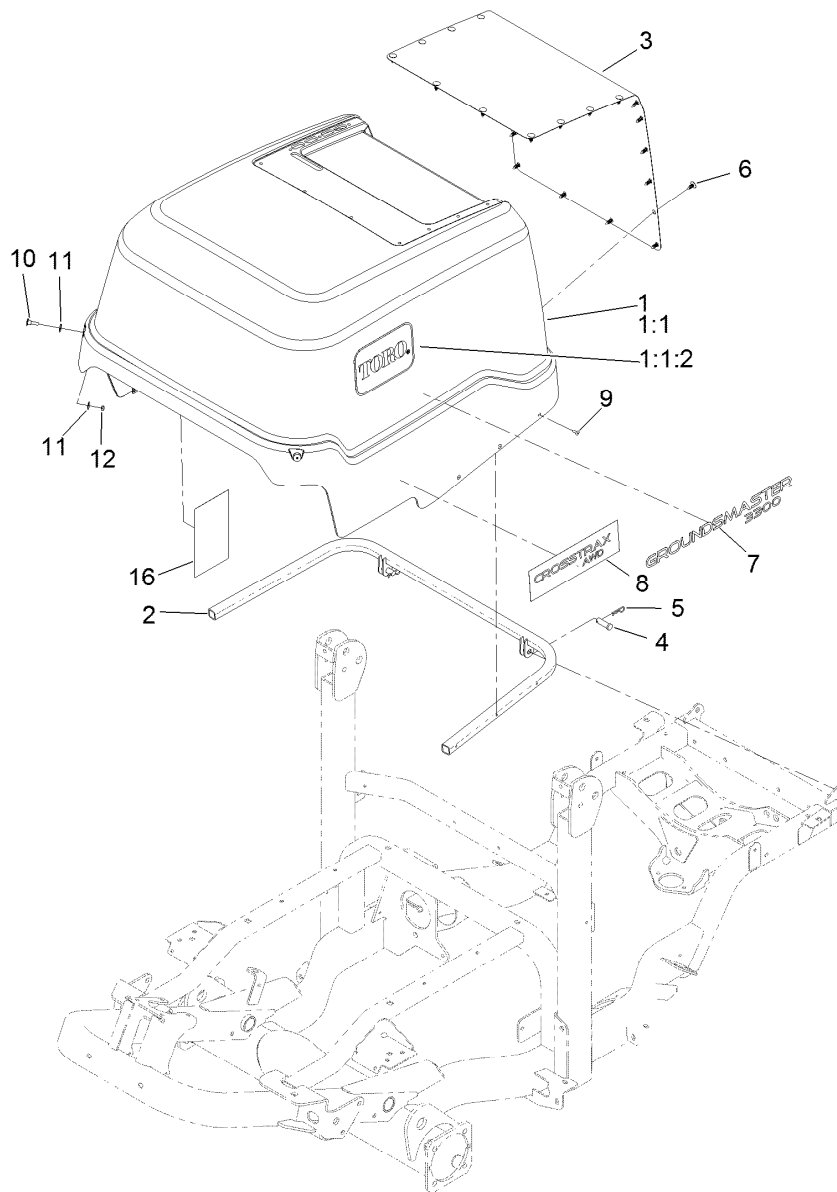
Ref.	Part Number	Qty.	Description	Ref.	Part Number	Qty.	Description
1	138-7477-01	1	Bracket-Pedal, Traction	21	137-2568	1	Traction-Cable
2	256-236	2	Bearing-Mount, Flange	22	74-9100	1	Pad-Pedal, Forward
3	138-4594	1	Pedal-Traction	23	74-9110	1	Pad-Pedal, Reverse
4	117-9507	1	Pedal-Accelerator	24	3231-22	4	Screw-CARR
5	32121-45	1	Pin-Spring	25	130-9691	1	Spacer
6	3230-23	12	Bolt-CARR	26	139-6221	1	Seat Box ASM
7	104-8300	12	Nut-HF, NI	26:2	139-6215	1	Decal-Warning
8	138-7446-01	1	Bracket-Cable, Traction	27	115-8240	1	Screw-Elevator
9	93-2092	1	Clamp-Cable	28	3218-2	2	Nut-Hex Jam
10	3274-10	2	Screw-HSH	29	138-7422-0P	2	Strip-Seat Mount
11	104-8301	6	Nut-HF, NI	30	107-1865	2	R-Clamp
12	117-5199	1	Hub-Pedal, Traction	31	104-7050	1	Tube-Manual
13	66-8010	1	Spacer	32	104-7048	1	Cap-Housing
14	2411-41	2	Rod End-Ball Joint	33	1-807512	2	Bolt-CARR
15	32121-6	1	Pin-Roll, Slotted	34	104-7201	2	Nut-HF, NI
16	33093-00	2	Washer-Flat	35	107-3154	4	Nut-Push
17	3256-22	2	Washer-Flat	36	106-9206	2	Decal-Torque, Wheel
18	321-9	2	Screw-HH	39	133-8062	1	Decal-Arrestor, Spark
19	3296-42	2	Nut-Lock, NI	42	32115-15	2	Nut-Push
20	137-2601	2	Washer				





## Control Console Assembly

<i>Ref.</i>	<i>Part Number</i>	<i>Qty.</i>	<i>Description</i>	<i>Ref.</i>	<i>Part Number</i>	<i>Qty.</i>	<i>Description</i>
1	133-6406-03	1	Panel	17	121-5159	1	Switch-Ignition
2	132-9751	1	Tdm 2001	17:1	121-5160	1	Nut-Hex
3	108-7605	1	Cover-RH	17:2	122-2704	1	Nut-Face, M22 (Plastic)
4	108-7604	1	Cover-LH	17:3	121-5162	1	Set-Key, Ignition
5	108-7616	1	Panel-Access	18	137-2510	1	Cover-Throttle, Lever
6	74-5950	2	Latch-Swell	20	3296-2	2	Nut-Lock, NI
7	131-9637	1	Armrest-Quick Find	21	1-807533	2	Bolt-CARR
8	3250-22	1	Screw-PPH	22	136-9678	1	Switch-Pushbutton
9	3296-12	1	Nut-Lock, NI	23	138-4548-03	1	Plate-Spacer, Console Pad
10	32144-112	10	Screw-HWH	24	1-603175	1	Knob-Ball
11	104-8300	2	Nut-HF, NI	25	138-7471	1	Decal-Console
12	3231-22	2	Screw-CARR	27	138-7473	1	Decal-Throttle
13	104-8301	2	Nut-HF, NI	28	99-7420	1	Plug-Hole
14	100-1535	1	Switch-Rocker, (On)-Off-(On)	29	110-0811	1	Switch-Rocker On-None-(On)
15	93-9999	1	Switch-PTO	30	107-3154	2	Nut-Push
16	138-4549	1	Cable-Throttle	31	140-3125	1	Decal-Fuse

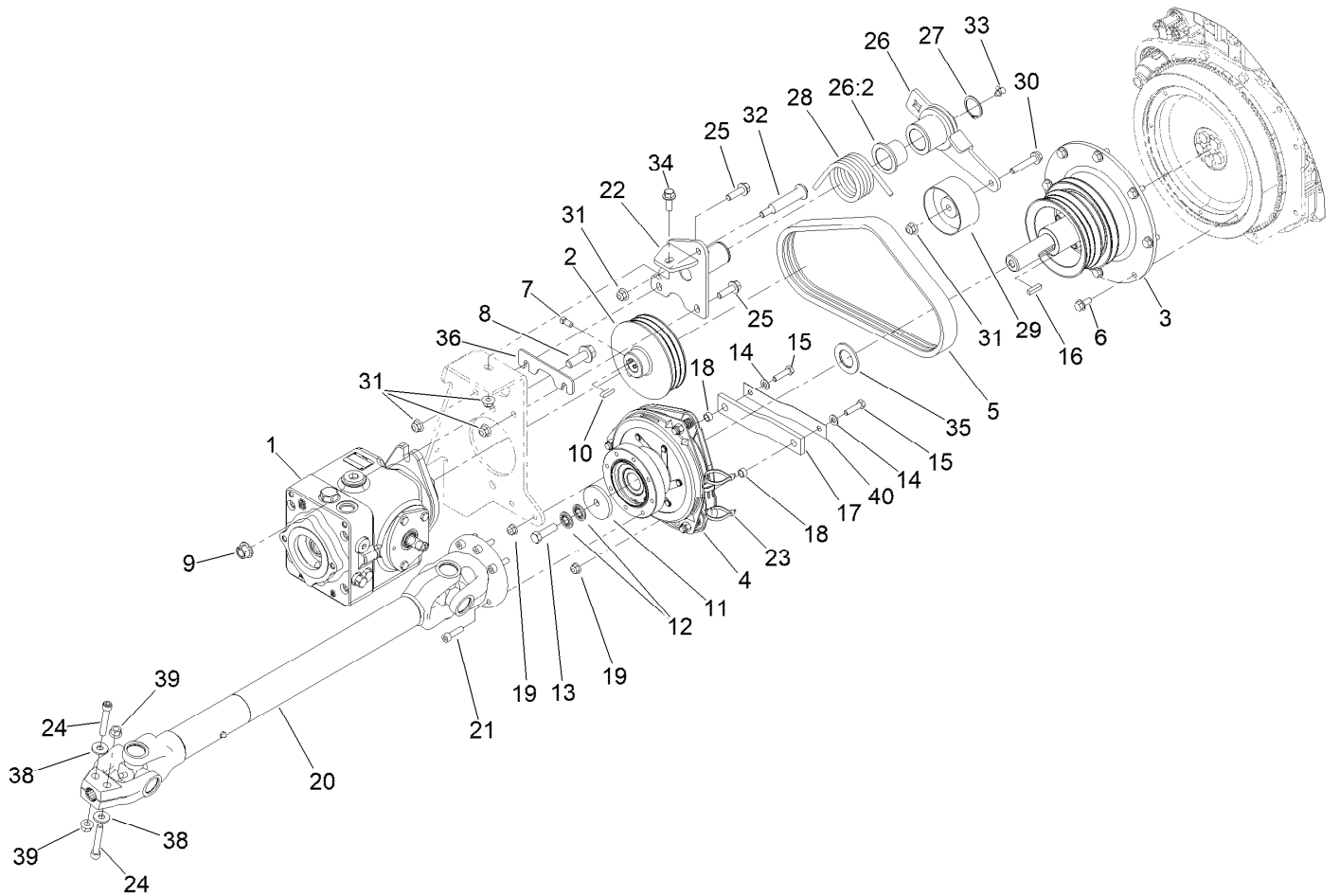


## Hood Assembly

Ref.	Part Number	Qty.	Description	Ref.	Part Number	Qty.	Description
1	138-7330SP	1	Hood	5	3290-467	2	Pin-Hair
1:1		1	Hood ASM ■	6	117-2382	24	Plug-Plastic
1:1:2	62-7400	2	Decal-Toro Logo	7	139-6151	2	Decal-Identification
1:2	139-6225	1	Tape-Heat, Hood Front ●	8	110-8859	2	Decal
1:3	139-6226	1	Tape-Heat, Hood Rear ●	9	114439	10	Rivet-Blind
1:4	139-6227	1	Tape-Heat, Hood Side ●	10	139-0855	2	Screw-Countersunk, Oval
2	138-7331-03	1	Support-Hood	11	3256-2	4	Washer-Flat
3	138-7474-03	1	Screen-Cooler	12	3296-56	2	Nut-Lock, NI
4	283-68	2	Pin-Clevis	16	144-0518	1	Decal-Service, Gm3200

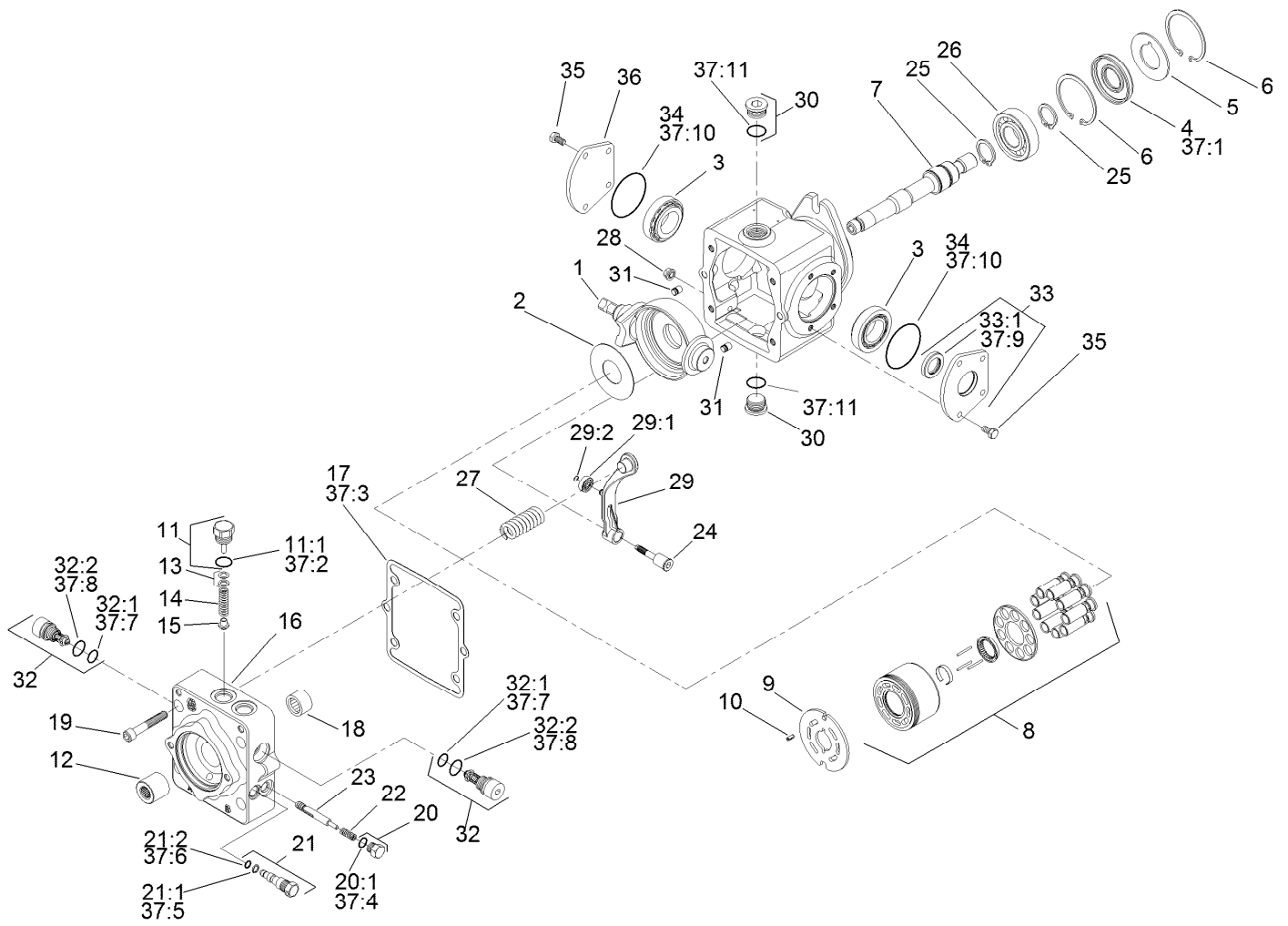
● Not illustrated

■ Not serviced separately



## Hydraulic PTO Assembly

Ref.	Part Number	Qty.	Description	Ref.	Part Number	Qty.	Description
1	138-0305	1	Variable Piston Pump ASM	21	144-0452	6	Screw-Hex Socket
2	139-6257	1	Pulley-3/3V	22	140-3091	1	Idler Pivot ASM
3	139-6258	1	Stubshaft-3/3V	23	3290-378	2	Tie-Cable
4	144-4013	1	Clutch-Gt5	24	131-8591	2	Screw-HSH
5	139-6259	1	Belt-3/3V	25	119-4061	2	Screw-HHF
6	138-0690	8	Screw-HH	26	140-6179	1	Idler Arm ASM
7	1-803022	2	Screw-Set	26:2	93-4510	2	Bushing-Caster
8	100-6116	2	Screw-HHF	27	32120-84	1	Ring-Snap, External
9	99-5107	2	Nut-Lock	28	140-3102	1	Spring-Torsion
10	94-3645	1	Key	29	140-3101	1	Pulley-Flat
11	139-6238	1	Washer	30	108-3742	1	Screw-HHF
12	1-603610	2	Washer-Spring	31	104-8301	5	Nut-HF, NI
13	109-9761	1	Screw-HH	32	112-3977	1	Bolt-Shoulder
14	3256-23	2	Washer-Plain	33	302-40	1	Fitting-Grease, 90 DEG
15	322-6	2	Screw-HH	34	3234-42	1	Screw-HHF
16	1-807259	1	Key	35	139-6239	1	Washer
17	139-6278	1	Strap-Clutch Stop	36	144-4046	1	Shim-Pivot
18	65-9820	2	Spacer	38	80-6990	2	Washer-Hardened
19	104-8300	3	Nut-HF, NI	39	32128-36	2	Nut-HF
20	144-0521SP	1	Driveshaft ASM	40	144-4025	1	Strip-Steel, Spring

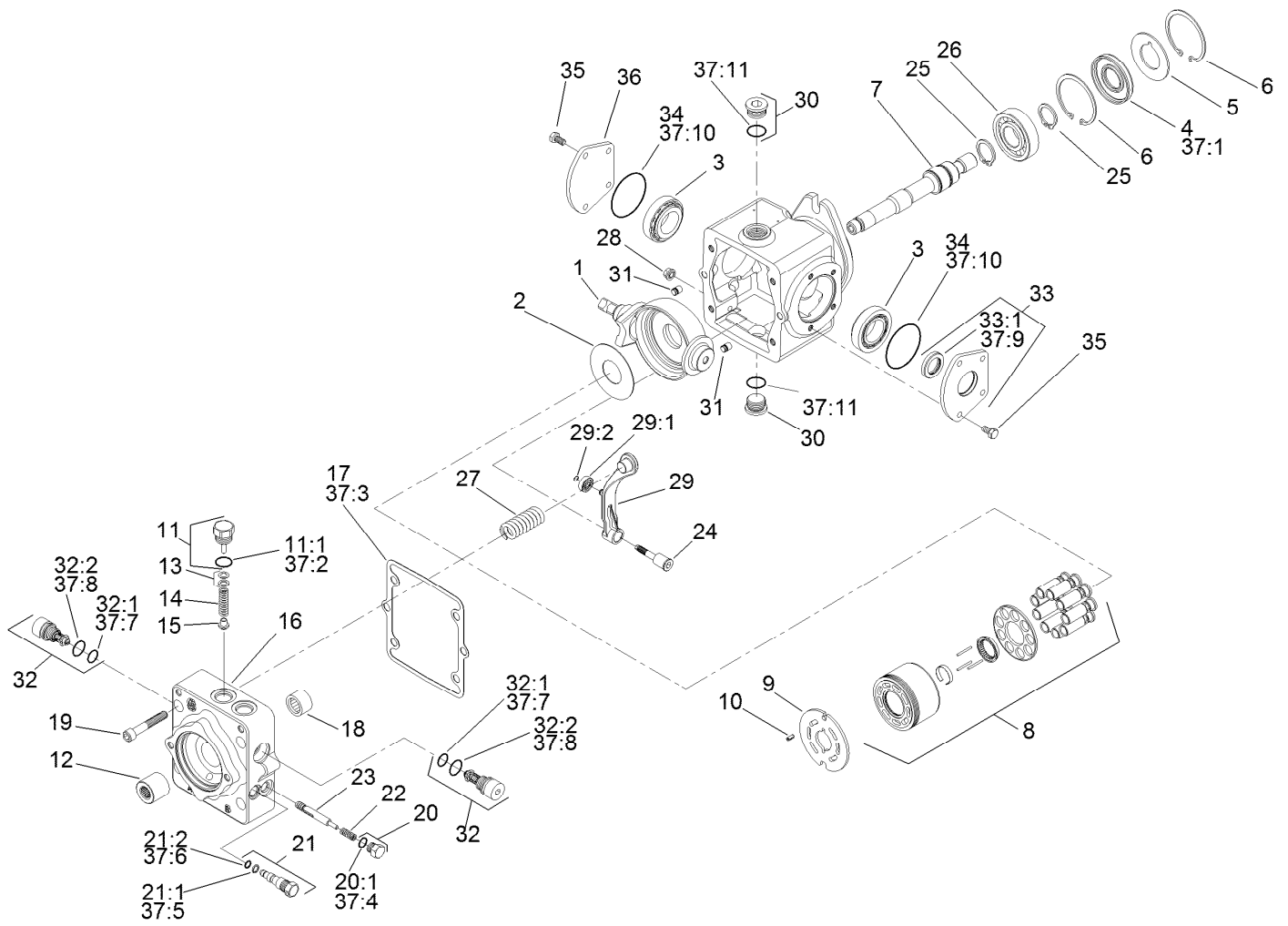


## Variable Piston Pump Assembly No. 138-0305

Ref.	Part Number	Qty.	Description	Ref.	Part Number	Qty.	Description
1	140-3111	1	Plate-Swash	18	75-0500	1	Bearing-Needle
2	75-0400	1	Plate-Thrust	19	110-6489	4	Screw
3	110-6483	2	Bearing Kit	20	94-9415	2	Plug ASM
4	110-6471	1	Seal-Lip	20:1		1	O-Ring ■
5	95-4400	1	Washer-Backup	21	107-4364	1	Bypass Valve ASM
6	131-8616	2	Ring-Retaining	21:1	25-2630	1	Ring-Back Up
7	140-3113	1	Shaft	21:2	110-6498	1	O-Ring
8	110-6472	1	Cylinder Block Kit ASM	22	140-3116	2	Spring
9	140-3114	1	Plate-Valve, CW	23	110-6492	1	Spool-Loop, Flush
10	131-3800	1	Pin-Slotted	24	110-6493	1	Pivot-Return, Neutral
11	110-6486	1	Plug-Relief, Charge	25	125-5280	2	Ring-Retaining
11:1	28-3570	1	O-Ring	26	75-0460	1	Bearing-Ball
12	140-3122	1	Coupling	27	140-3117	1	Spring-Neutral Return
13	140-3115	1	Shim Kit	28	110-6496	1	Nut-Seal
14	110-6474	1	Spring	29	110-6497	1	Neutral Return Arm ASM
15	110-6475	1	Poppet	29:1	110-6494	1	Bearing-Cam
16	115-8087	1	Cap-End	29:2	110-3056	1	Ring-Retaining
17	110-6476	1	Gasket-Cap, End	30	69-3130	2	Plug

● Not illustrated

■ Not serviced separately

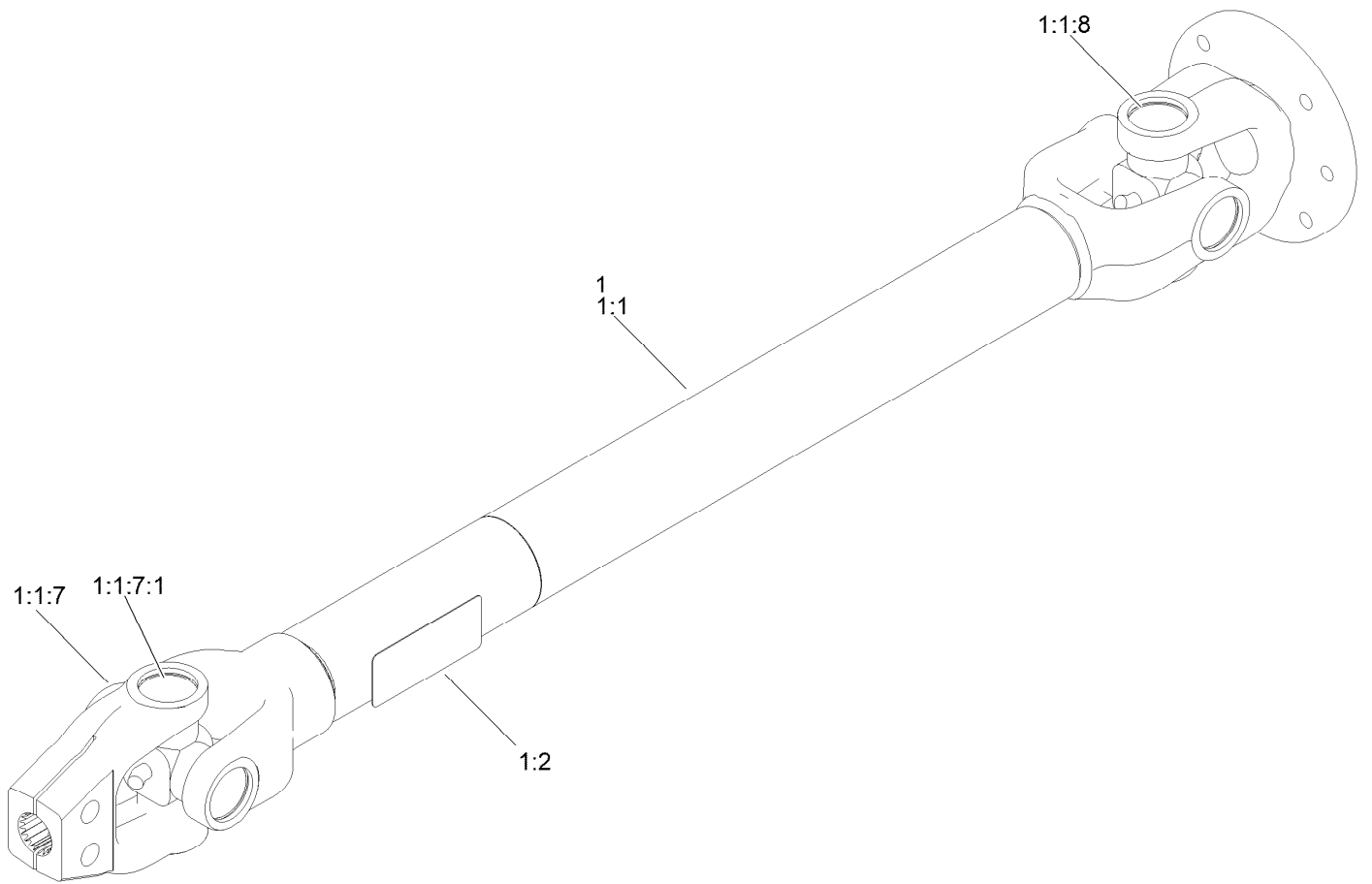


## Variable Piston Pump Assembly No. 138-0305 (continued)

Ref.	Part Number	Qty.	Description	Ref.	Part Number	Qty.	Description
31	112-0158	2	Pin	37:2	28-3570	1	O-Ring
32	110-6477	2	Valve-Relief	37:3	110-6476	1	Gasket-Cap, End
32:1	75-0240	1	O-Ring ●	37:4	131-8631	2	O-Ring
32:2	84-0560	1	O-Ring ●	37:5	25-2630	1	Ring-Back Up
33	110-6499	1	Trunnion Cover ASM	37:6	110-6498	1	O-Ring
33:1	110-6478	1	Seal-Lip	37:7	75-0240	2	O-Ring
34	84-0430	2	O-Ring	37:8	84-0560	2	O-Ring
35	112-0151	8	Screw	37:9	110-6478	1	Seal-Lip
36	84-0440	1	Cover-Trunnion	37:10	84-0430	2	O-Ring
37	110-6481	1	Seal Kit ●	37:11	131-8614	2	O-Ring
37:1	110-6471	1	Seal-Lip				

● Not illustrated

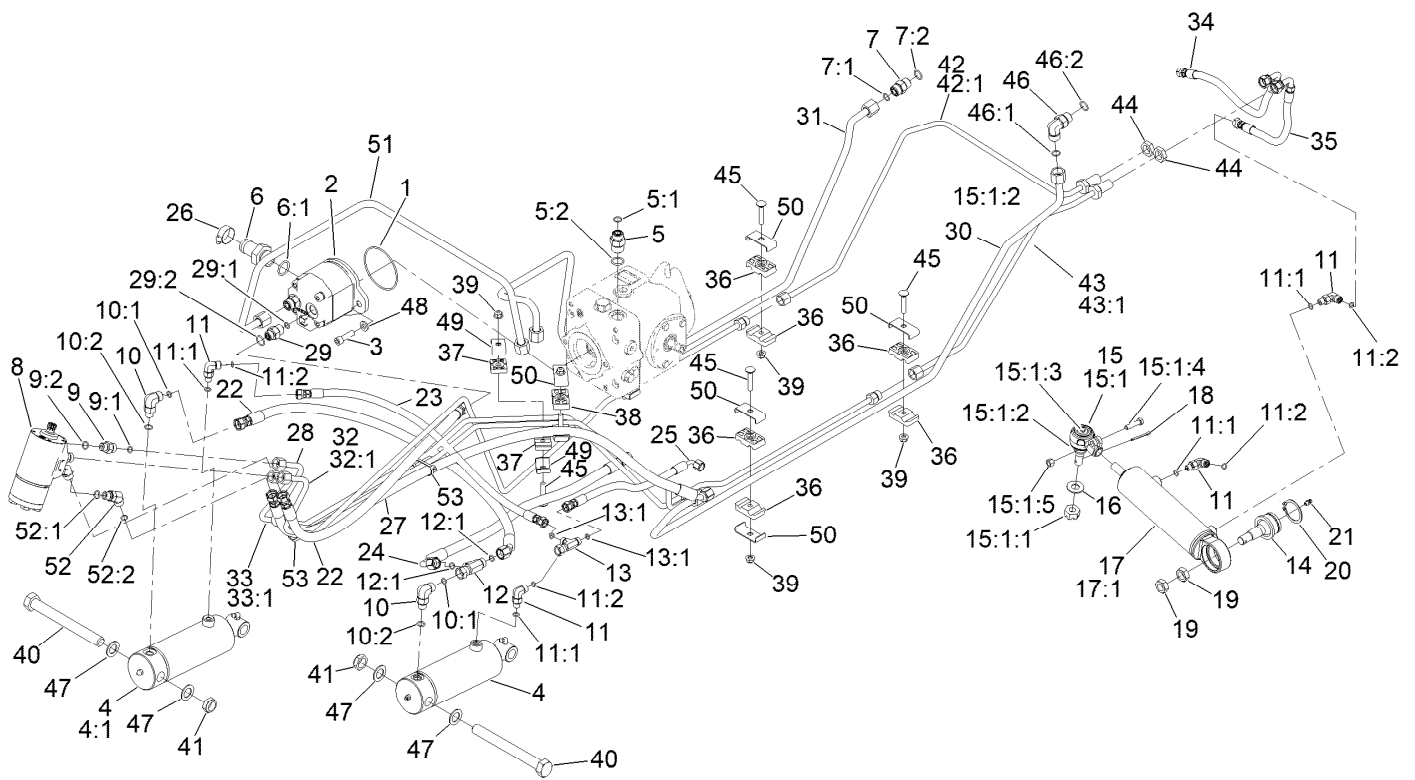
■ Not serviced separately



## Driveshaft Assembly No. 144-0521SP

Ref.	Part Number	Qty.	Description
1		1	Driveshaft ASM ●
1:1		1	Shaft-Drive, Jdl ●
1:1:7		1	Yoke-Splined W/Cross Joint ●
1:1:7:1	144-0550	1	Bearing-Cross Joint
1:1:8	144-0550	1	Bearing-Cross Joint
1:2	139-6304	1	Decal-Danger, Entanglement

● Not serviced separately

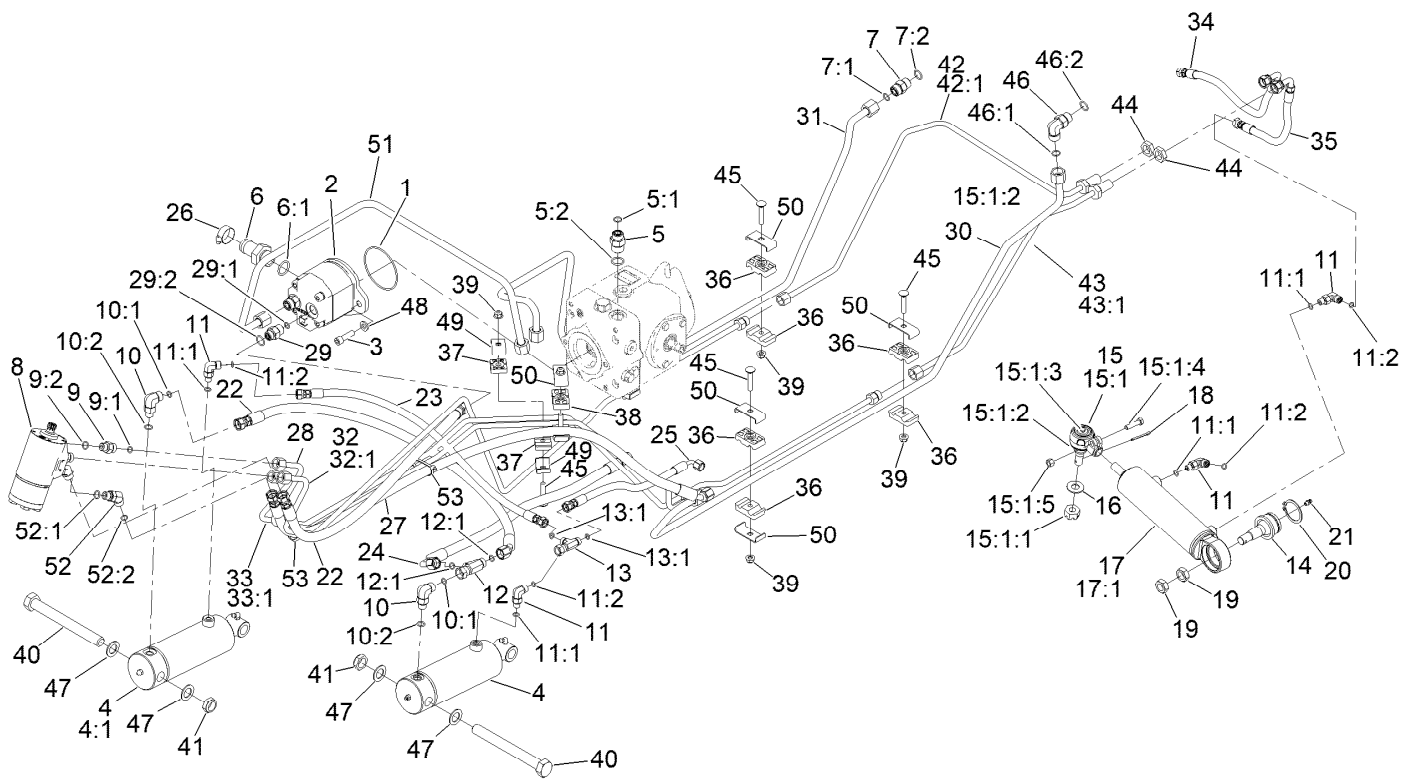


## Hydraulic Assembly

Ref.	Part Number	Qty.	Description	Ref.	Part Number	Qty.	Description
1	237-161	1	O-Ring	10:1	237-22	1	O-Ring
2	138-0321	1	Pump-Gear	10:2	237-42	1	O-Ring
3	3274-1	2	Screw-HSH	11	340-132	4	Fitting-Elbow, 90 DEG
4	139-0854	2	Cylinder-Hydraulic	11:1	237-78	1	O-Ring
4:1	140-3110	1	Kit-Seal ●	11:2	237-21	1	O-Ring
5	340-6	1	Fitting-Straight	12	340-115	1	Fitting-Tee
5:1	237-30	1	O-Ring	12:1	237-22	2	O-Ring
5:2	237-80	1	O-Ring	13	340-151	1	Fitting-Tee
6	99-3017	1	Fitting	13:1	237-21	2	O-Ring
6:1	237-81	1	O-Ring	14	106-6774	1	Joint-Ball
7	340-4	2	Fitting-Straight	15	106-6895-03	1	Ball Joint ASM
7:1	237-30	1	O-Ring	15:1		1	Joint-Ball ■
7:2	237-79	1	O-Ring	15:1:1	32136-13	1	Nut-SHH
8	114-8119	1	Steering Valve ASM	15:1:2	106-6896	1	Seal
9	340-2	3	Fitting-Straight	15:1:3	302-5	1	Fitting-Grease
9:1	237-22	1	O-Ring	15:1:4	3210-7	1	Screw-HH
9:2	237-42	1	O-Ring	15:1:5	32152-5	1	Nut-Hex
10	340-77	2	Fitting-Elbow, 90 DEG	16	69-8980	1	Washer

● Not illustrated

■ Not serviced separately



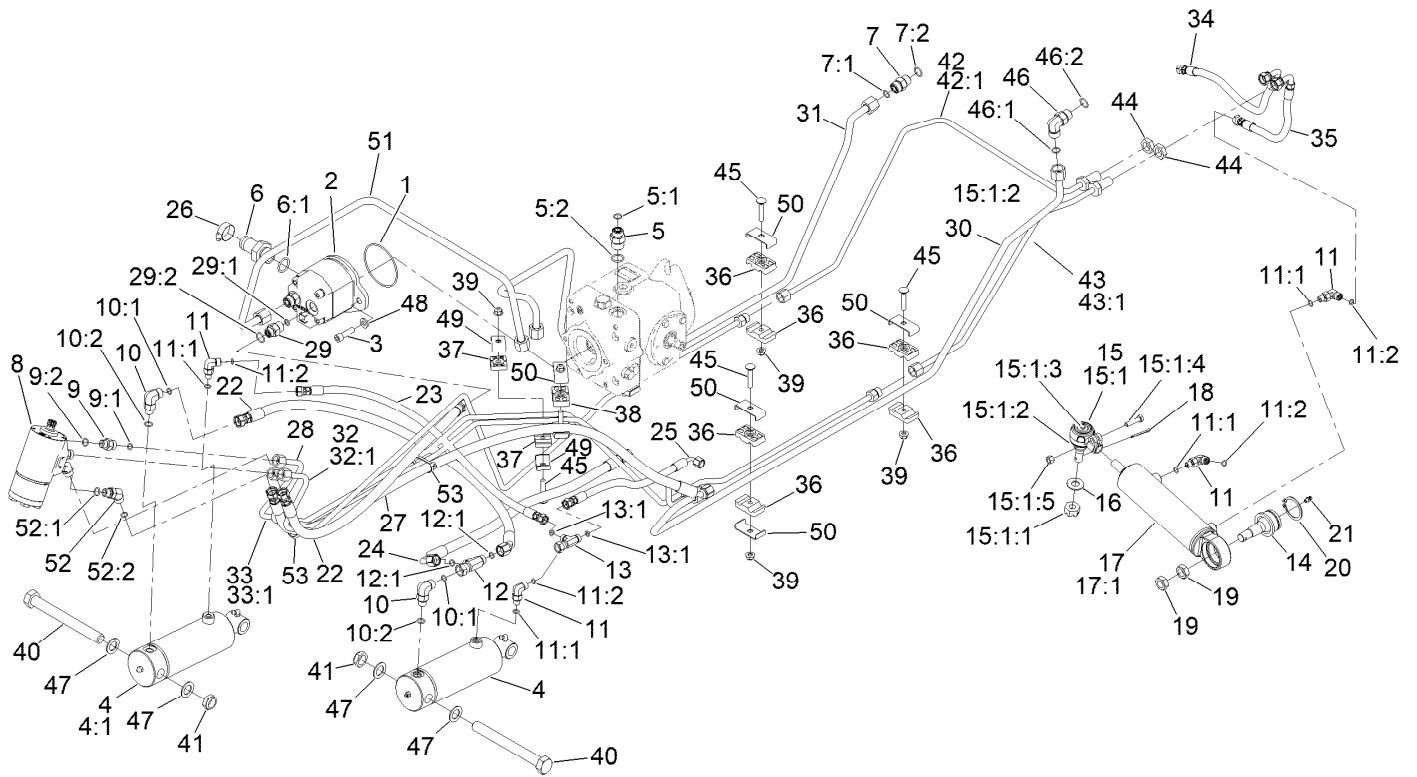
## Hydraulic Assembly (continued)

Ref.	Part Number	Qty.	Description	Ref.	Part Number	Qty.	Description
17	139-6277	1	Steering Cylinder	32	138-0333	1	Hydraulic Tube ASM
17:1	140-3120	1	Kit-Seal ●	32:1	237-22	1	O-Ring
18	3272-12	1	Pin-Cotter	33	138-0336	1	Hydraulic Tube ASM
19	3220-6	2	Nut-Jam	33:1	237-22	1	O-Ring
20	32151-104	1	Ring-Retaining, External	34	115-0383	1	Hose ASM
21	302-5	1	Fitting-Grease	35	137-2584	1	Hose ASM
22	137-5844	2	Hose ASM	36	56-7972	8	Clamp-Tube
23	137-5845	1	Hose ASM	37	56-7973	2	Clamp-Tube
24	137-5846	1	Hose ASM	38	56-7970	2	Clamp-Tube
25	137-5847	1	Hose ASM	39	104-8300	6	Nut-HF, NI
26	2412-34	1	Clamp-Hose	40	328-23	2	Screw-HH
27	140-3097	1	Hose ASM	41	HDW02059	2	Nut-Hex
28	138-0331	1	Hydraulic Tube ASM	42	138-0343	1	Hydraulic Tube ASM
29	340-3	1	Fitting-Straight	42:1	237-22	1	O-Ring
29:1	237-22	1	O-Ring	43	138-0344	1	Hydraulic Tube ASM
29:2	237-79	1	O-Ring	43:1	237-22	1	O-Ring
30	138-7448	1	Hydraulic Tube ASM	44	340-70	2	Nut-Lock
31	138-7447	1	Hydraulic Tube ASM	45	3230-5	6	Bolt-CARR

● Not illustrated

■ Not serviced separately



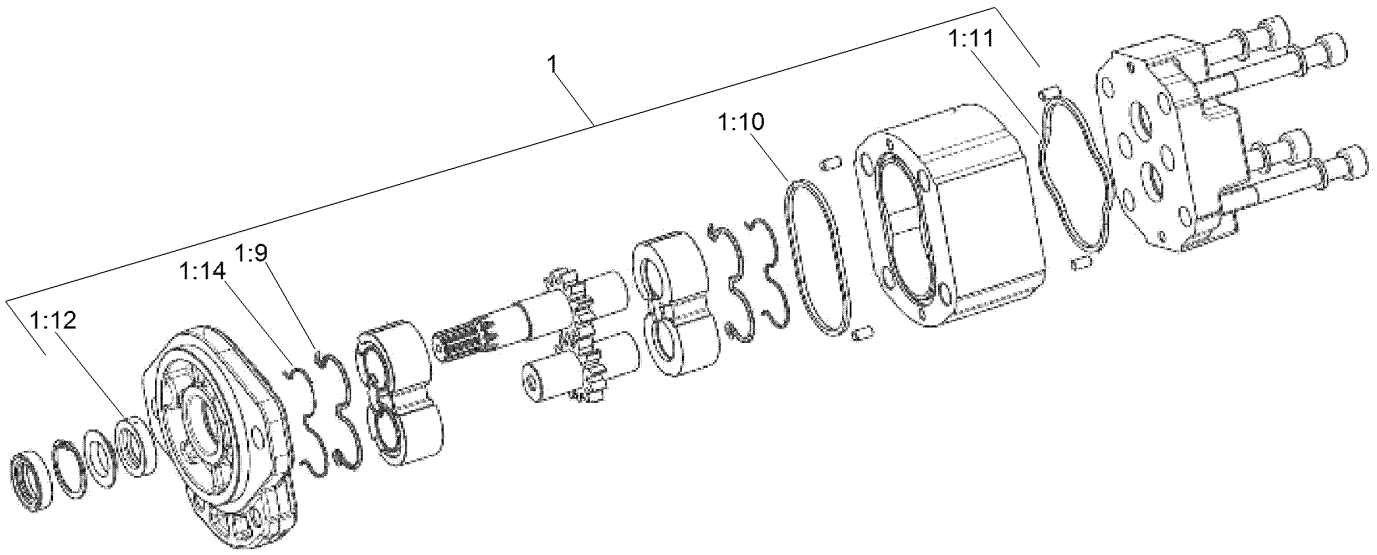


## Hydraulic Assembly (continued)

Ref.	Part Number	Qty.	Description	Ref.	Part Number	Qty.	Description
46	340-98	1	Fitting-Elbow, 90 DEG	50	119-1419	8	Plate-Clamp
46:1	237-79	1	O-Ring	51	138-0342	1	Hydraulic Tube ASM
46:2	237-30	1	O-Ring	52	340-87	2	Fitting-Elbow, 45 DEG
47	126-7888	4	Washer-Nylon	52:1	237-22	1	O-Ring
48	139-6293	2	Washer	52:2	237-42	1	O-Ring
49	119-1418	2	Plate-Clamp, Short	53	3290-378	2	Tie-Cable

● Not illustrated

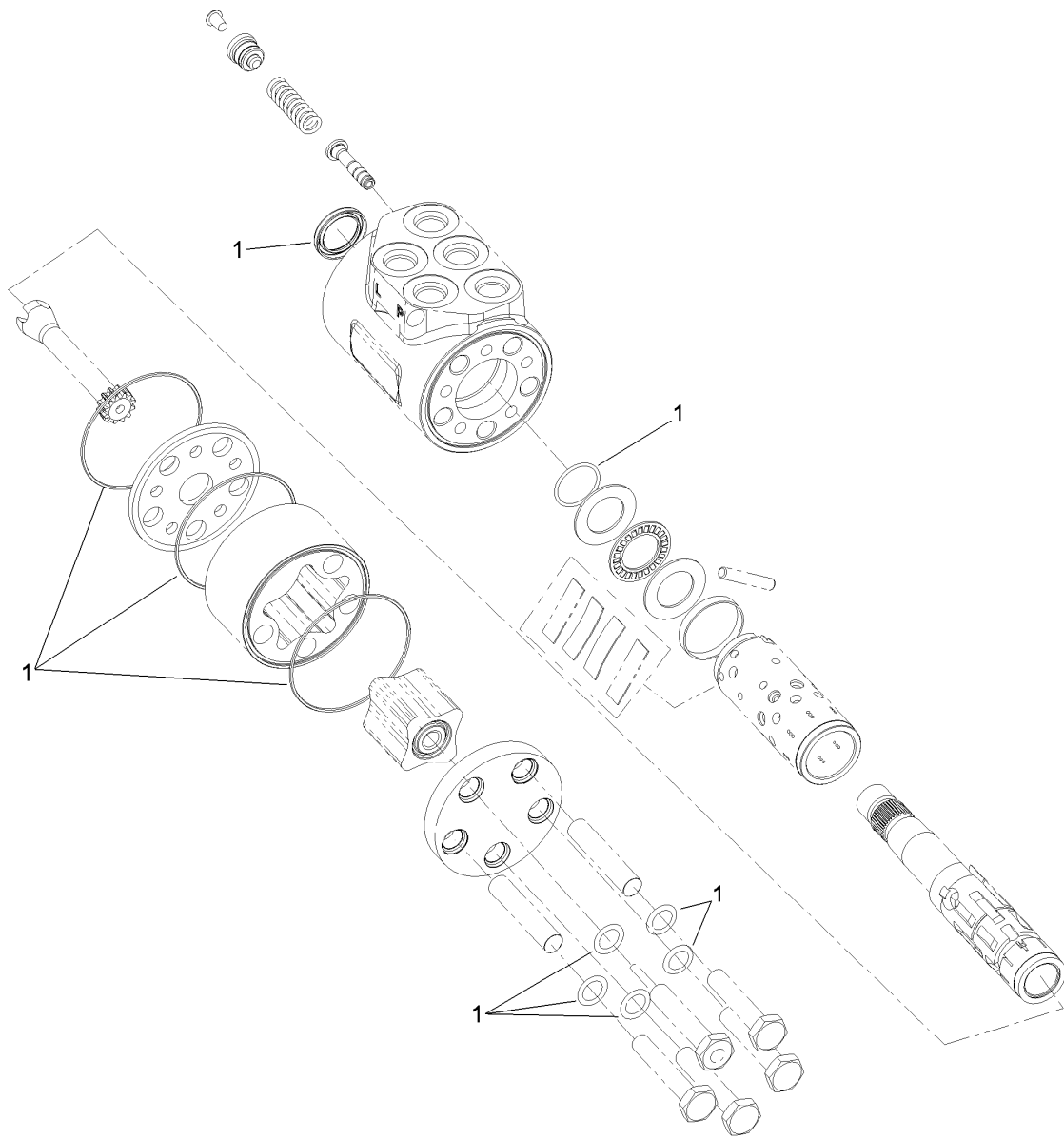
■ Not serviced separately



## Gear Pump Assembly No. 138-0321

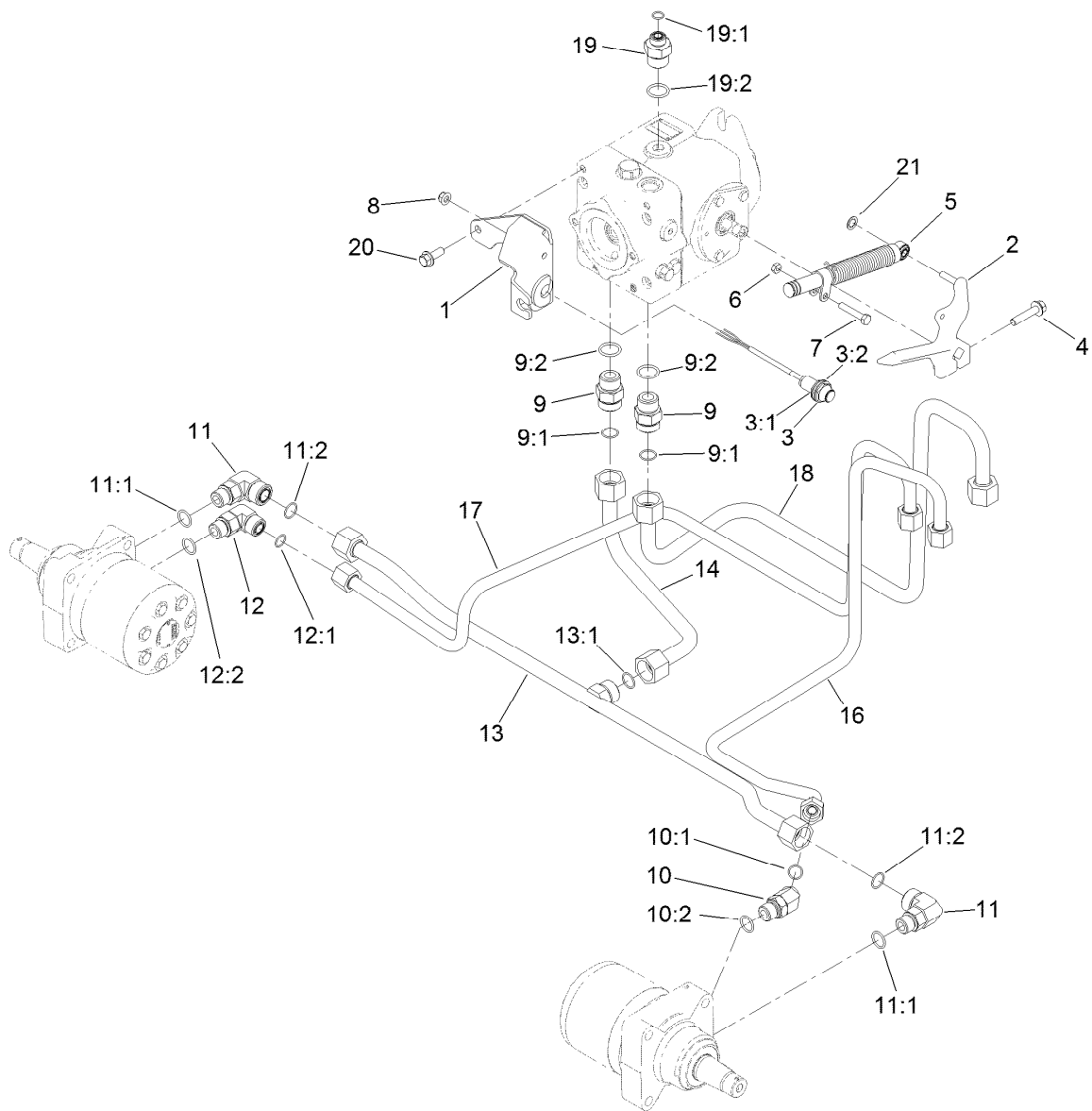
<i>Ref.</i>	<i>Part Number</i>	<i>Qty.</i>	<i>Description</i>
1	139-6299	1	Kit-Seal
1:9		1	Seal ●
1:10		1	Seal-Standard ●
1:11		1	Seal-Square ●
1:12		1	Seal-Shaft ●
1:14		1	Anti Extrusion ●

● Not serviced separately



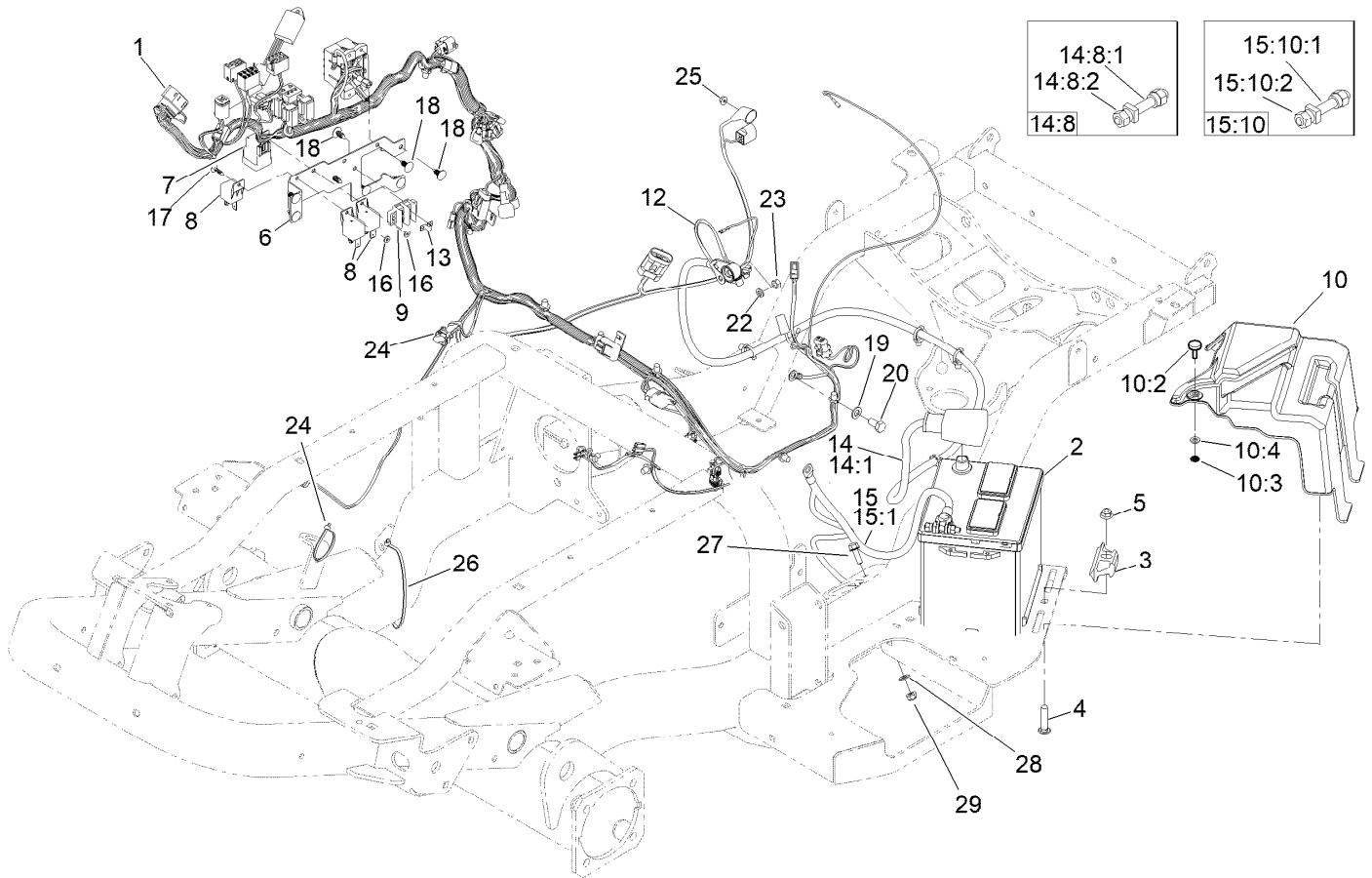
## Steering Valve Assembly No. 114-8119

<i>Ref.</i>	<i>Part Number</i>	<i>Qty.</i>	<i>Description</i>
1	106-6716	1	Seal Kit



## Traction Hydraulic Assembly

Ref.	Part Number	Qty.	Description	Ref.	Part Number	Qty.	Description
1	139-6195-0P	1	Bracket-Cable Support [primed]	11:1	237-80	1	O-Ring
2	138-6378	1	Lever-Pump	11:2	237-58	1	O-Ring
3	115-5300	1	Proximity Switch ASM	12	340-17	1	Fitting-Elbow, 90 DEG
3:1	117-3207	2	Nut-Hex	12:1	237-65	1	O-Ring
3:2	117-3208	2	Washer-Lock, Internal Tooth	12:2	237-80	1	O-Ring
4	3234-19	1	Screw-HHF	13	138-0340	1	Hydraulic Tube ASM
5	140-6248	1	Damper	13:1	237-58	1	O-Ring
6	3218-2	1	Nut-Hex Jam	14	138-0341	1	Hydraulic Tube ASM
7	322-10	1	Screw-HH	16	138-0345	1	Hydraulic Tube ASM
8	104-8300	1	Nut-HF, NI	17	138-0346	1	Hydraulic Tube ASM
9	340-9	2	Fitting-STR	18	138-0339	1	Hydraulic Tube ASM
9:1	237-58	1	O-Ring	19	100-4240	1	Fitting-STR
9:2	237-81	1	O-Ring	19:1	237-30	1	O-Ring
10	340-14	1	Fitting-HYD, 45 DEG	19:2	237-81	1	O-Ring
10:1	237-65	1	O-Ring	20	3234-42	2	Screw-HHF
10:2	237-80	1	O-Ring	21	32151-72	1	Ring-Retaining
11	340-16	2	Fitting-HYD, 90 DEG				

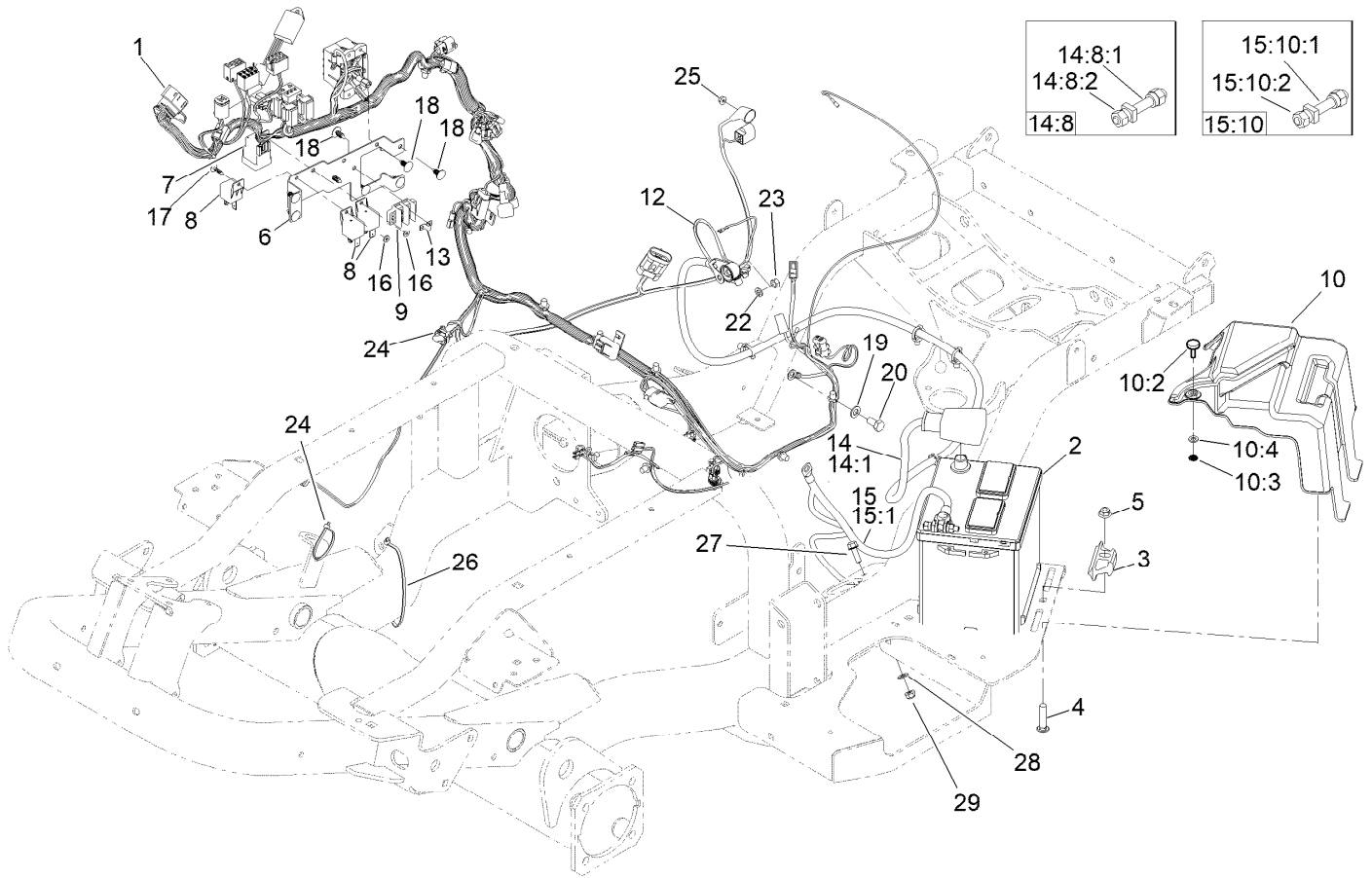


## Electrical Assembly

Ref.	Part Number	Qty.	Description	Ref.	Part Number	Qty.	Description
1	122-1657	1	Harness-Wire	14:8		1	Bolt ASM ■
2	106-5187	1	Battery, 525 CCA W/O Electrolyte	14:8:1	32180-107	1	Bolt-Clamp, Battery
3	138-6335	1	Retainer-Battery	14:8:2	32180-108	2	Nut-Clamp, Battery
4	3231-29	1	Screw-CARR	15	122-1276	1	Cable-Battery, Negative ASM
5	104-8301	1	Nut-HF, NI	15:1	32180-115	1	Panduit, Cable Tie ●
6	138-7467-0P	1	Bracket-Electrical	15:10		1	Bolt ASM ■
7	99-7430	1	Relay-Mini	15:10:1	32180-107	1	Bolt-Clamp, Battery
8	99-7435	3	Relay	15:10:2	32180-108	2	Nut-Clamp, Battery
9	42862	1	Block-Terminal, Ground	16	3256-21	2	Washer-Flat
10	140-9010	1	Battery Cover ASM	17	125-8067	2	Plug-Plastic
10:2	140-9033	1	Knob-Stud	18	117-2382	8	Plug-Plastic
10:3	32115-15	1	Nut-Push	19	33095-00	1	Washer-Flat
10:4	3256-22	1	Washer-Flat	20	33115-020	1	Screw-HH
12	99-3441	1	Harness-Wire, Fusible Link	22	3253-4	1	Washer-Lock
13	42863	1	Strip-Jumper	23	33014-00	1	Nut-Hex
14	122-1275	1	Cable-Battery, Positive ASM	24	3290-378	2	Tie-Cable
14:1	32180-115	1	Panduit, Cable Tie ●	25	33003-00	1	Nut-HF

● Not illustrated

■ Not serviced separately

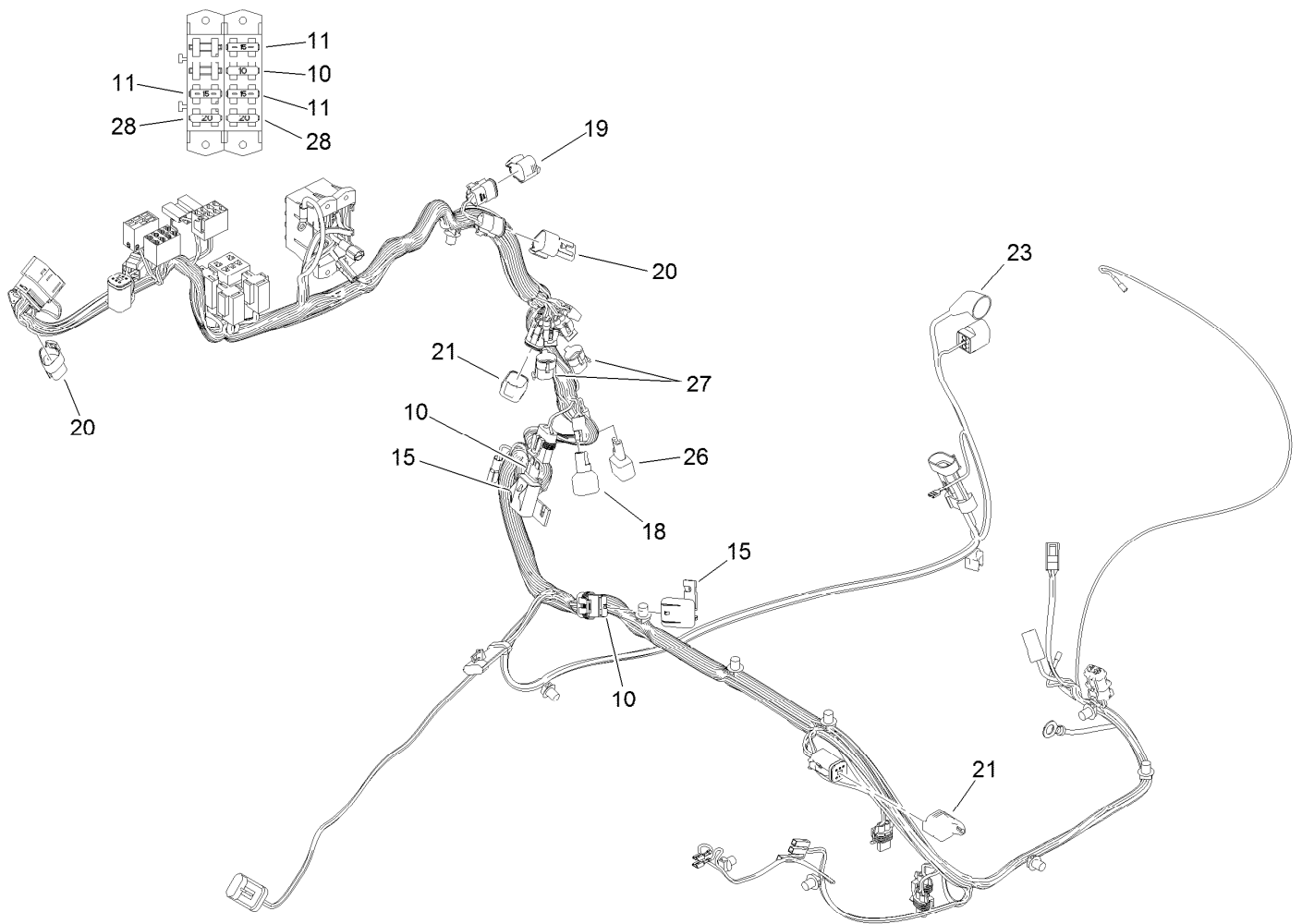


## Electrical Assembly (continued)

<i>Ref.</i>	<i>Part Number</i>	<i>Qty.</i>	<i>Description</i>	<i>Ref.</i>	<i>Part Number</i>	<i>Qty.</i>	<i>Description</i>
26	3290-379	1	Tie-Cable	28	120-9683	1	Washer-Plain
27	3234-29	1	Screw-HHF	29	104-8300	1	Nut-HF, NI

● Not illustrated

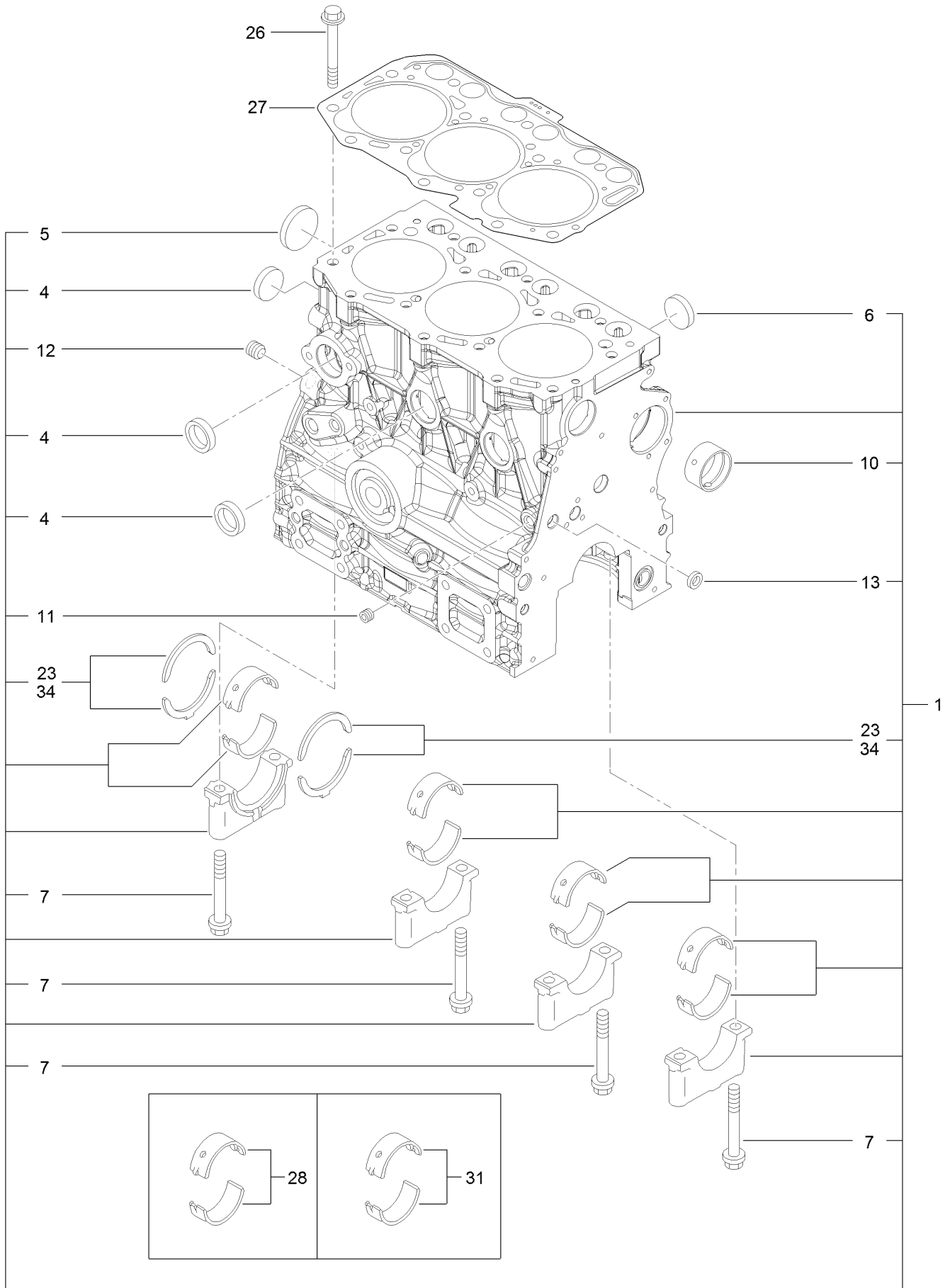
■ Not serviced separately



## Wire Harness Assembly No. 122-1657

<i>Ref.</i>	<i>Part Number</i>	<i>Qty.</i>	<i>Description</i>
10	218-578	3	Fuse-Blade, 10 Amp
11	109355	3	Fuse-Blade, 15 Amp
15	32180-019	2	Cover-Fuse, Single
18	108-9493	1	Diode-Tvs
19	32180-089	1	Cap-Plug, 3 Way
20	32180-043	2	Resistor-120 Ohm
21	32180-156	2	Cap-Plug, 6 Way
23	32180-017	1	Insulator-Terminal, Black
26	104-4022	1	Resistor-75 Ohm
27	32180-056	2	Cap
28	109101	2	Fuse-Blade, 20 Amp

# Cylinder Block Assembly

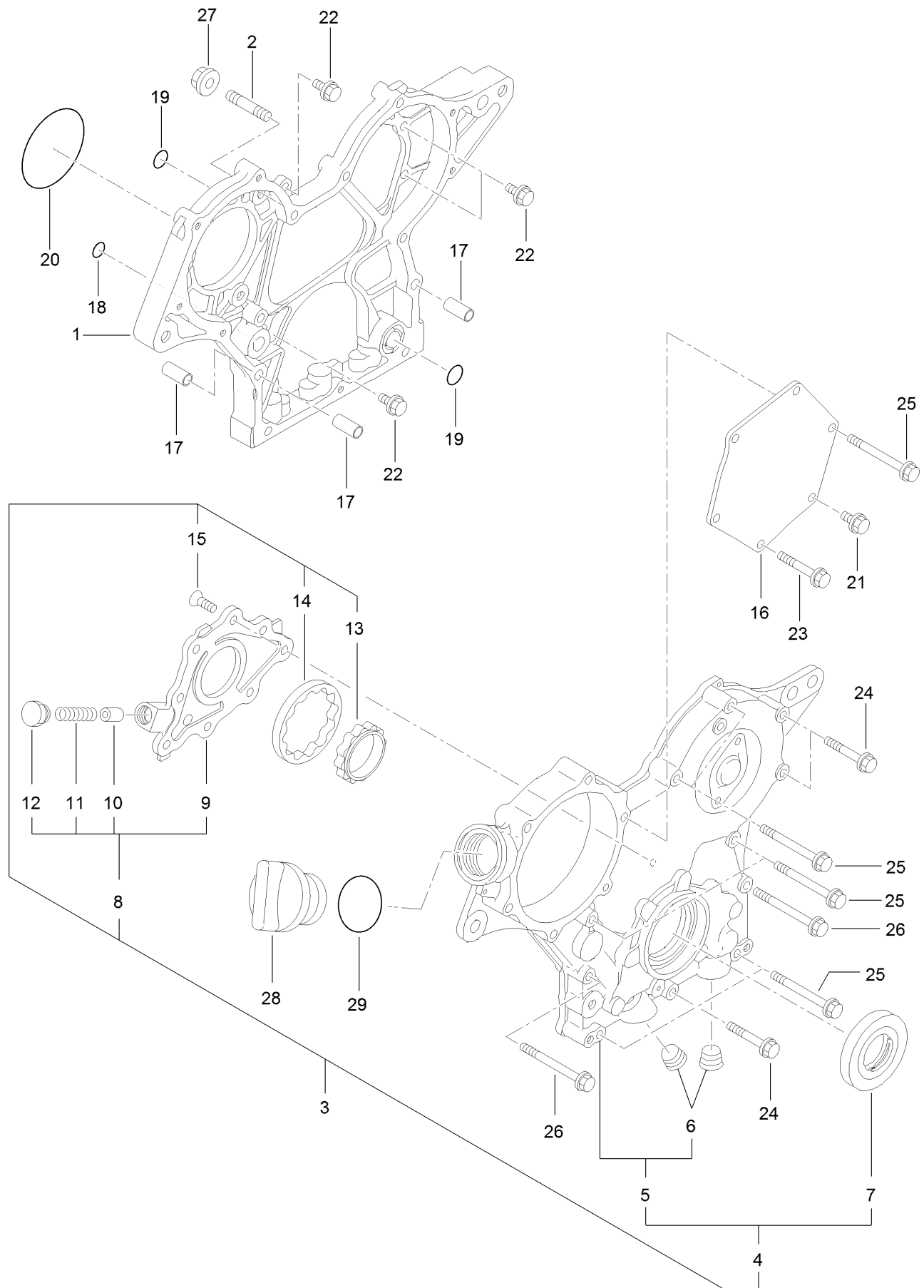




## Cylinder Block Assembly (continued)

<i>Ref.</i>	<i>Part Number</i>	<i>Qty.</i>	<i>Description</i>	<i>Ref.</i>	<i>Part Number</i>	<i>Qty.</i>	<i>Description</i>
1	135-4030	1	Cylinder Block ASM	13	125-7237	1	Plug
4	135-4031	4	Plug-Cup	23	135-4036	2	Thrust Bearing ASM
5	135-4032	1	Plug-Dish	26	135-4037	14	Bolt-Head, Cylinder
6	135-4033	3	Plug-Cup	27	135-4038	1	Head Gasket Set
7	135-4034	8	Bolt-Cap	28	135-4039	1	Main Bearing ASM
10	135-4035	1	Bushing-Camshaft	31	135-4040	2	Main Bearing ASM
11	125-6969	1	Plug	34	135-4041	2	Bearing-Thrust
12	125-6973	1	Plug				

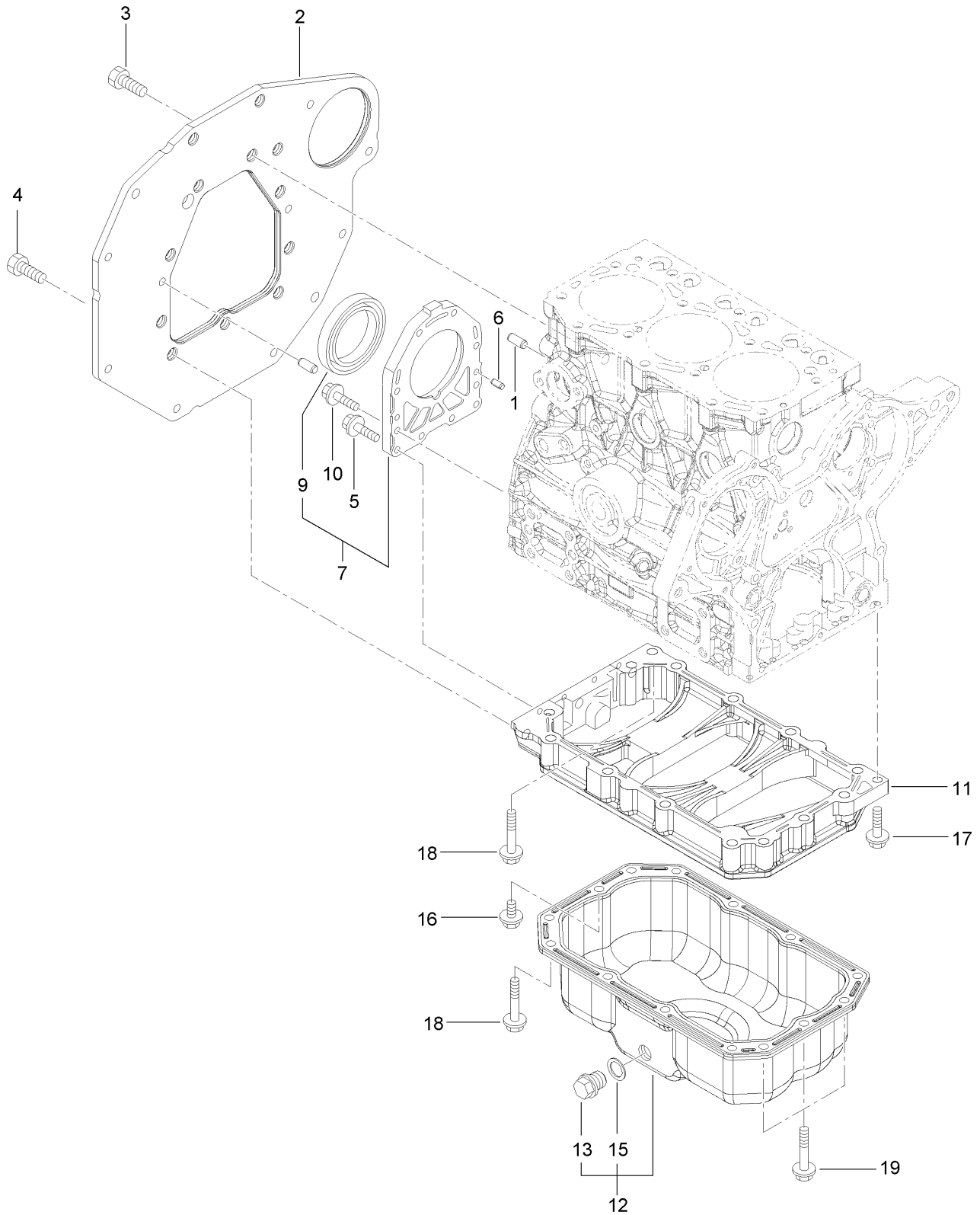
# Gear Housing Assembly



## Gear Housing Assembly (continued)

<i>Ref.</i>	<i>Part Number</i>	<i>Qty.</i>	<i>Description</i>	<i>Ref.</i>	<i>Part Number</i>	<i>Qty.</i>	<i>Description</i>
1	135-4042	1	Case-Gear	16	135-4056	1	Cover-Pump
2	135-4043	3	Bolt-Stud	17	135-4057	4	Dowel-Pipe
3	135-4044	1	Gear Case Cover ASM	18	127-2973	1	O-Ring
4	135-4045	1	Gear Case Cover ASM	19	135-4058	3	O-Ring
5	135-4046	1	Cover-Case, Gear	20	125-6957	1	O-Ring
6	133-6798	2	Plug	21	125-7206	1	Bolt
7	135-4047	1	Seal-Oil	22	125-7208	4	Bolt
8	135-4048	1	Cover ASM	23	125-7211	4	Bolt
9	135-4049	1	Cover-Pump	24	125-7211	3	Bolt
10	135-4050	1	Valve-Relief	25	135-4059	7	Bolt
11	135-4051	1	Spring	26	136-8257	2	Bolt
12	135-4052	1	Plug	27	125-7229	3	Nut
13	135-4053	1	Rotor-Inner	28	125-6972	1	Cover-Filler
14	135-4054	1	Rotor-Outer	29	125-7197	1	O-Ring
15	135-4055	8	Screw				

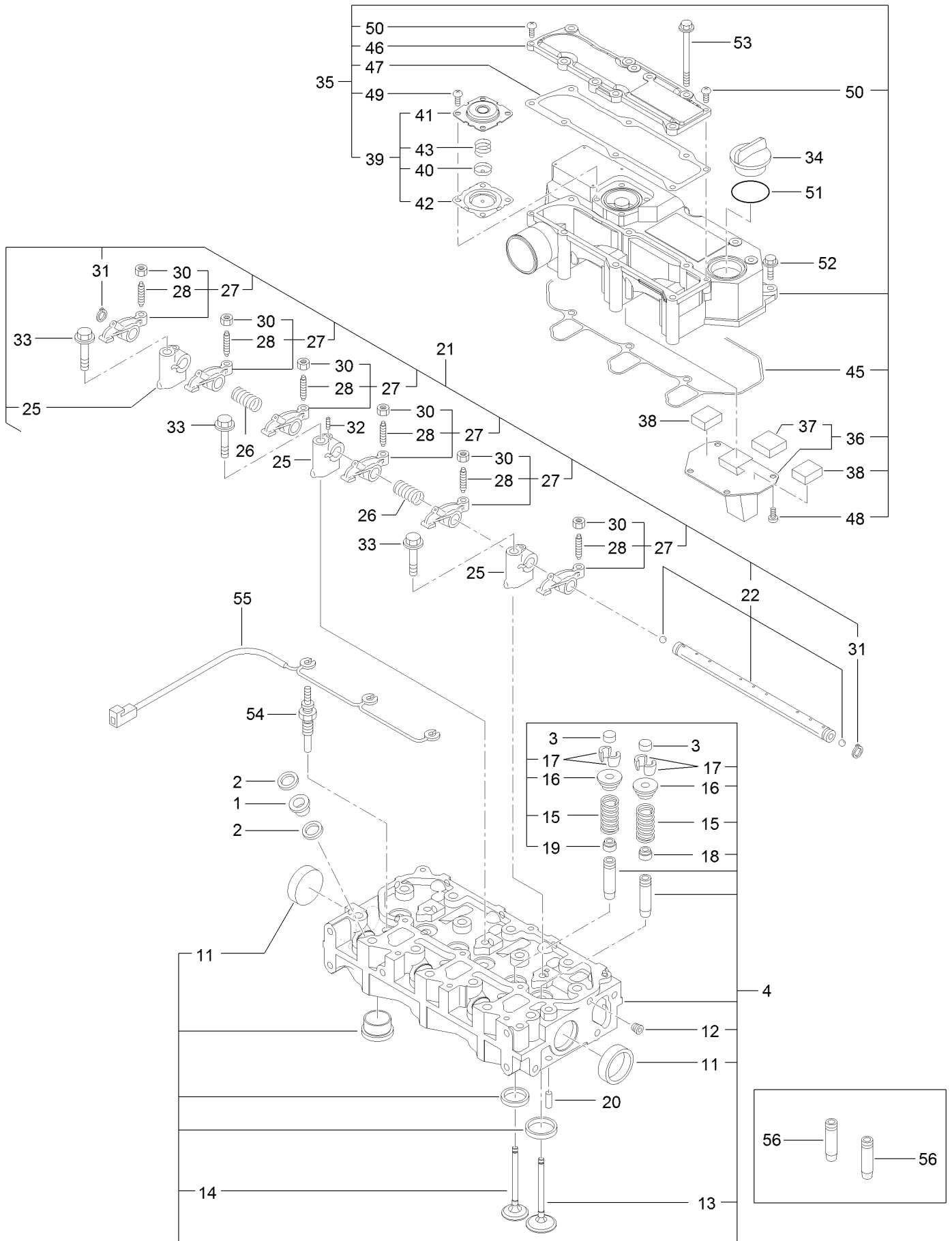
# Mounting Flange and Oil Sump Assembly



## Mounting Flange and Oil Sump Assembly (continued)

<i>Ref.</i>	<i>Part Number</i>	<i>Qty.</i>	<i>Description</i>	<i>Ref.</i>	<i>Part Number</i>	<i>Qty.</i>	<i>Description</i>
1	125-6995	2	Pin	11	135-4066	1	Spacer-Pan, Oil
2	140-7156	1	Flange-Mounting	12	134-1398	1	Oil Pan ASM
3	140-7181	9	Bolt	13	135-4068	1	Plug
4	125-7226	3	Bolt	15	136-8236	1	Washer-Seal
5	140-7152	4	Bolt	16	125-7212	1	Bolt
6	135-4062	2	Pin-Parallel	17	125-7216	1	Bolt
7	140-7160	1	Case Oil Seal ASM	18	125-7219	11	Bolt
9	135-4064	1	Seal-Oil	19	125-7220	3	Bolt
10	135-4065	6	Bolt				

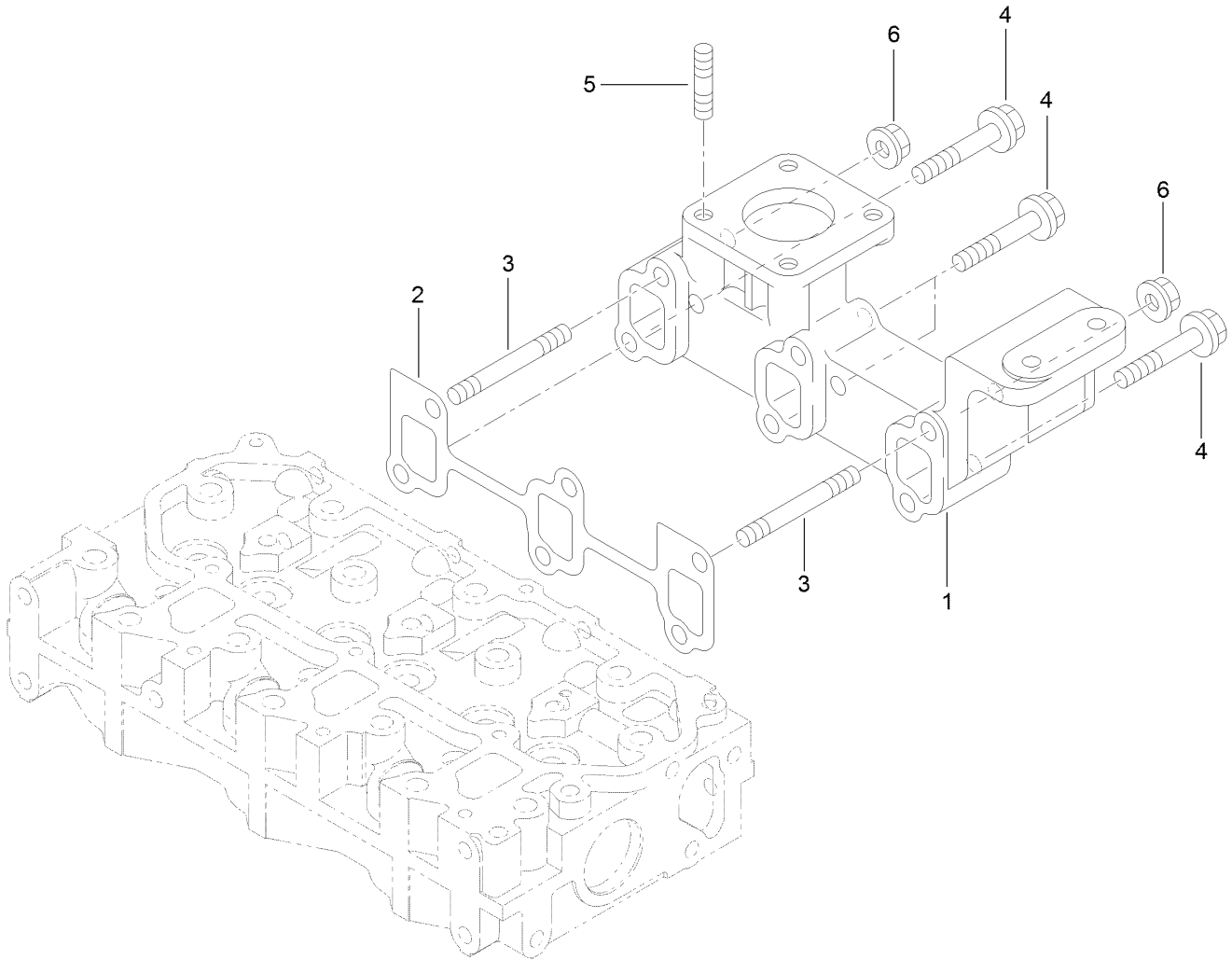
# Cylinder Head and Cover Assembly



## Cylinder Head and Cover Assembly (continued)

<i>Ref.</i>	<i>Part Number</i>	<i>Qty.</i>	<i>Description</i>	<i>Ref.</i>	<i>Part Number</i>	<i>Qty.</i>	<i>Description</i>
1	135-4069	3	Protector-Nozzle	34	125-6972	1	Cover-Filler
2	135-4070	6	Gasket-Nozzle	35	134-1402	1	Cylinder Head Cover ASM
3	135-4071	6	Cap-Valve	36	135-4085	1	Plate-Baffle
4	134-4001	1	Cylinder Head ASM	37	135-4086	1	Baffle-Breather
11	135-4073	2	Plug-Cup	38	135-4086	2	Baffle-Breather
12	133-6797	1	Plug	39	135-4088	1	Diaphragm ASM
13	135-4074	3	Valve-Suction	40	135-4089	1	Plate-Diaphragm
14	135-4075	3	Valve-Exhaust	41	135-4090	1	Cover-Diaphragm
15	135-4076	6	Spring-Valve	42	135-4091	1	Diaphragm
16	125-7054	6	Retainer	43	135-4092	1	Spring-Diaphragm
17	125-6914	12	Cotter	45	135-4093	1	Gasket-Cover, Cylinder Head
18	125-6915	3	Seal-Stem, Valve	46	134-1401	1	Cover-Head, Cylinder
19	125-6916	3	Seal-Stem, Valve	47	135-4095	1	Gasket
20	125-7184	2	Pin-Spring	48	125-7186	4	Screw
21	135-4077	1	Rocker Support ASM	49	125-7186	4	Screw
22	135-4078	1	Rocker Shaft ASM	50	127-3168	2	Screw
25	135-4079	3	Support-Arm, Rocker	51	125-7197	1	O-Ring
26	135-4080	2	Spring-Rocker	52	125-7209	3	Bolt
27	135-4081	6	Rocker Arm ASM	53	135-4096	6	Bolt
28	125-7013	6	Screw-Adjust, Valve	54	135-4291	3	Plug-Glow
30	125-7014	6	Nut	55	134-1443	1	Connector-Plug, Glow
31	135-7082	2	Ring	56	125-6917	6	Guide
32	135-4083	1	Screw				
33	125-7218	3	Bolt				

# Exhaust Manifold Assembly

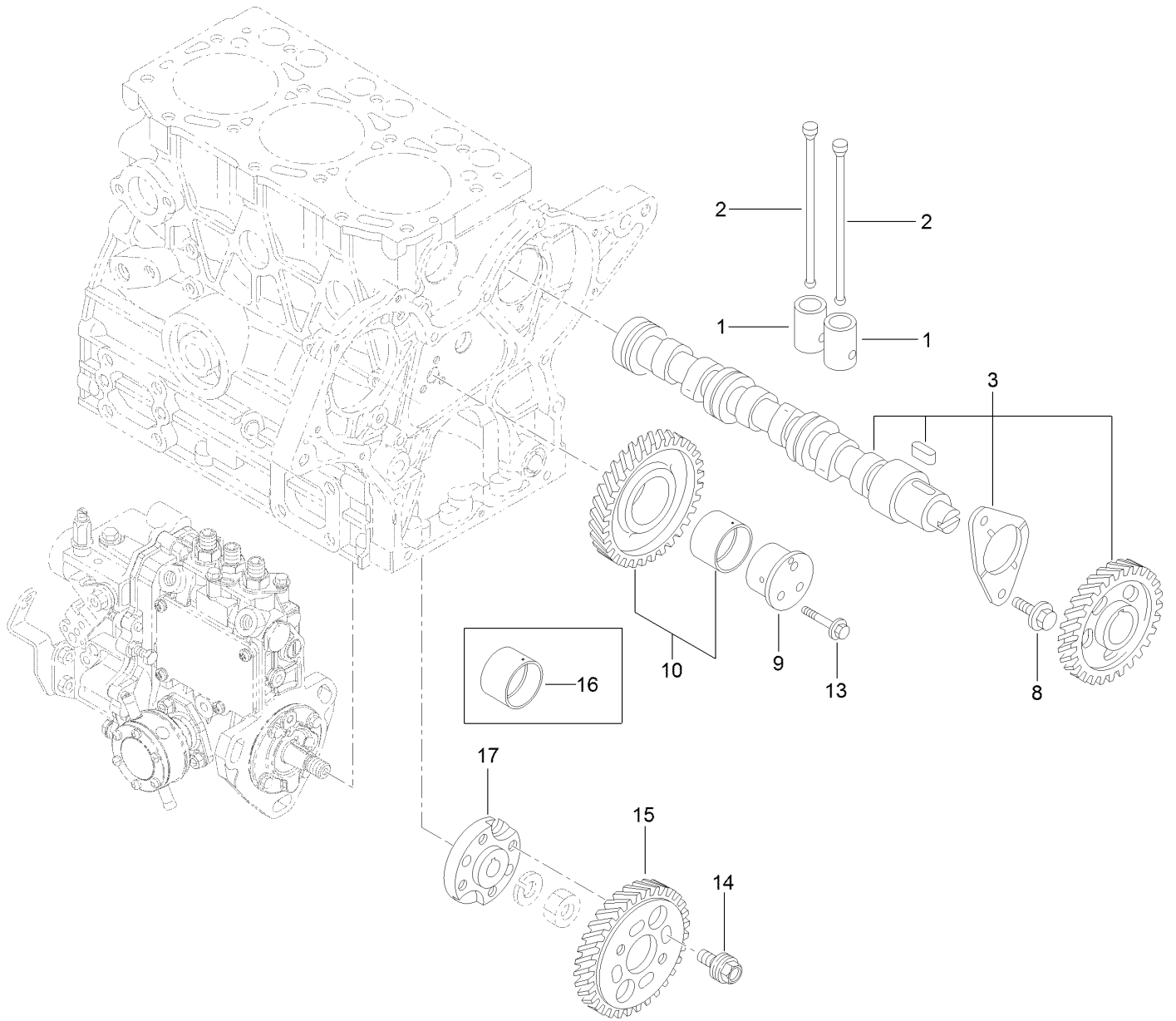




## Exhaust Manifold Assembly (continued)

<i>Ref.</i>	<i>Part Number</i>	<i>Qty.</i>	<i>Description</i>	<i>Ref.</i>	<i>Part Number</i>	<i>Qty.</i>	<i>Description</i>
1	140-7161	1	Manifold-Exhaust	4	133-6714	4	Bolt
2	135-4107	1	Gasket-Manifold, Exhaust	5	125-6906	4	Stud
3	134-1404	2	Bolt-Stud	6	125-7229	2	Nut

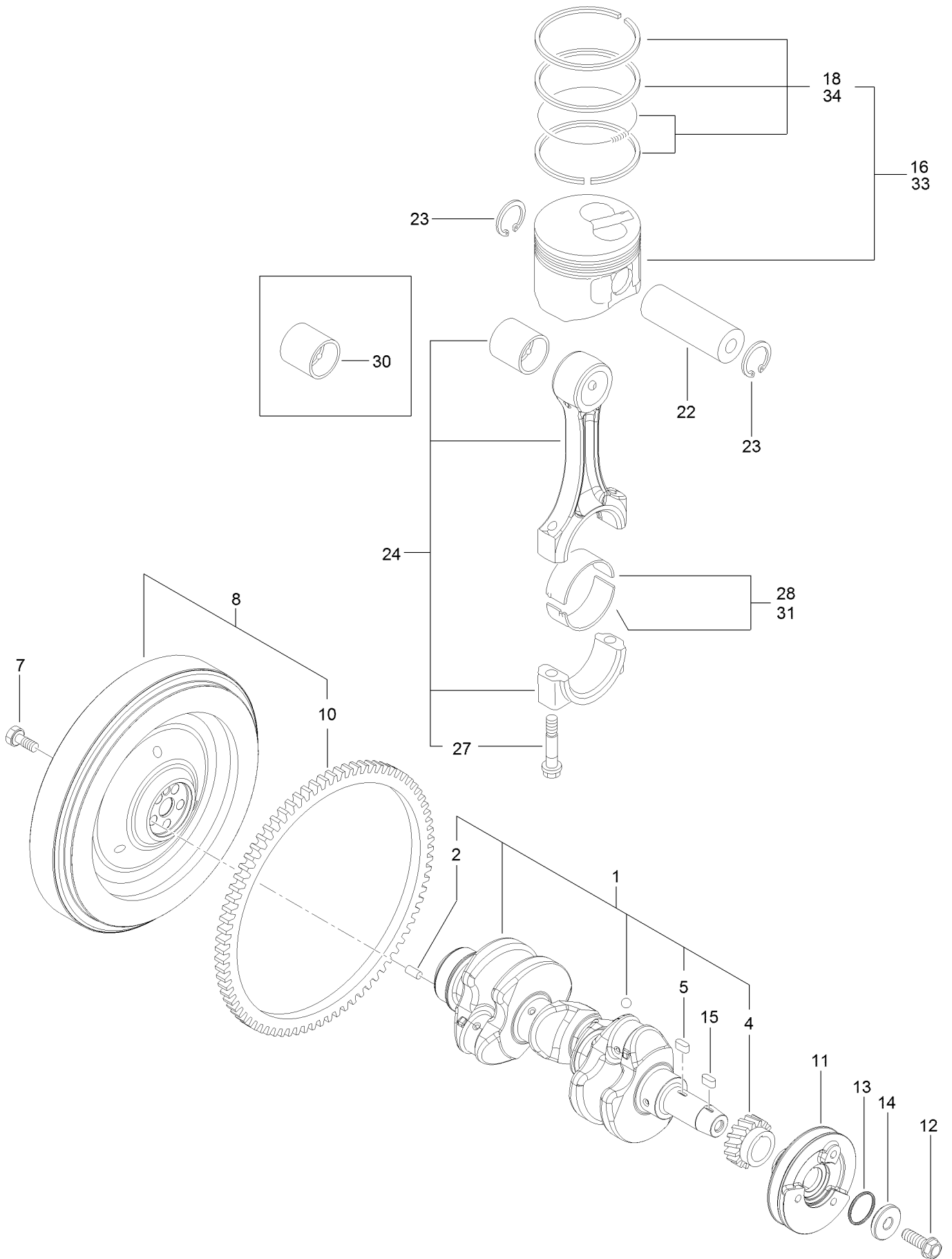
# Camshaft and Driving Gear Assembly



## Camshaft and Driving Gear Assembly (continued)

<i>Ref.</i>	<i>Part Number</i>	<i>Qty.</i>	<i>Description</i>	<i>Ref.</i>	<i>Part Number</i>	<i>Qty.</i>	<i>Description</i>
1	135-4108	6	Tappet	13	135-4147	3	Bolt
2	135-4109	6	Push-Rod	14	125-7020	4	Bolt
3	135-4110	1	Camshaft ASM	15	135-4148	1	Gear-Pump
8	125-7206	2	Bolt	16	135-4149	1	Bushing-Gear, Idle
9	135-4145	1	Shaft-Idle	17	135-4150	1	Flange
10	135-4146	1	Idle Gear ASM				

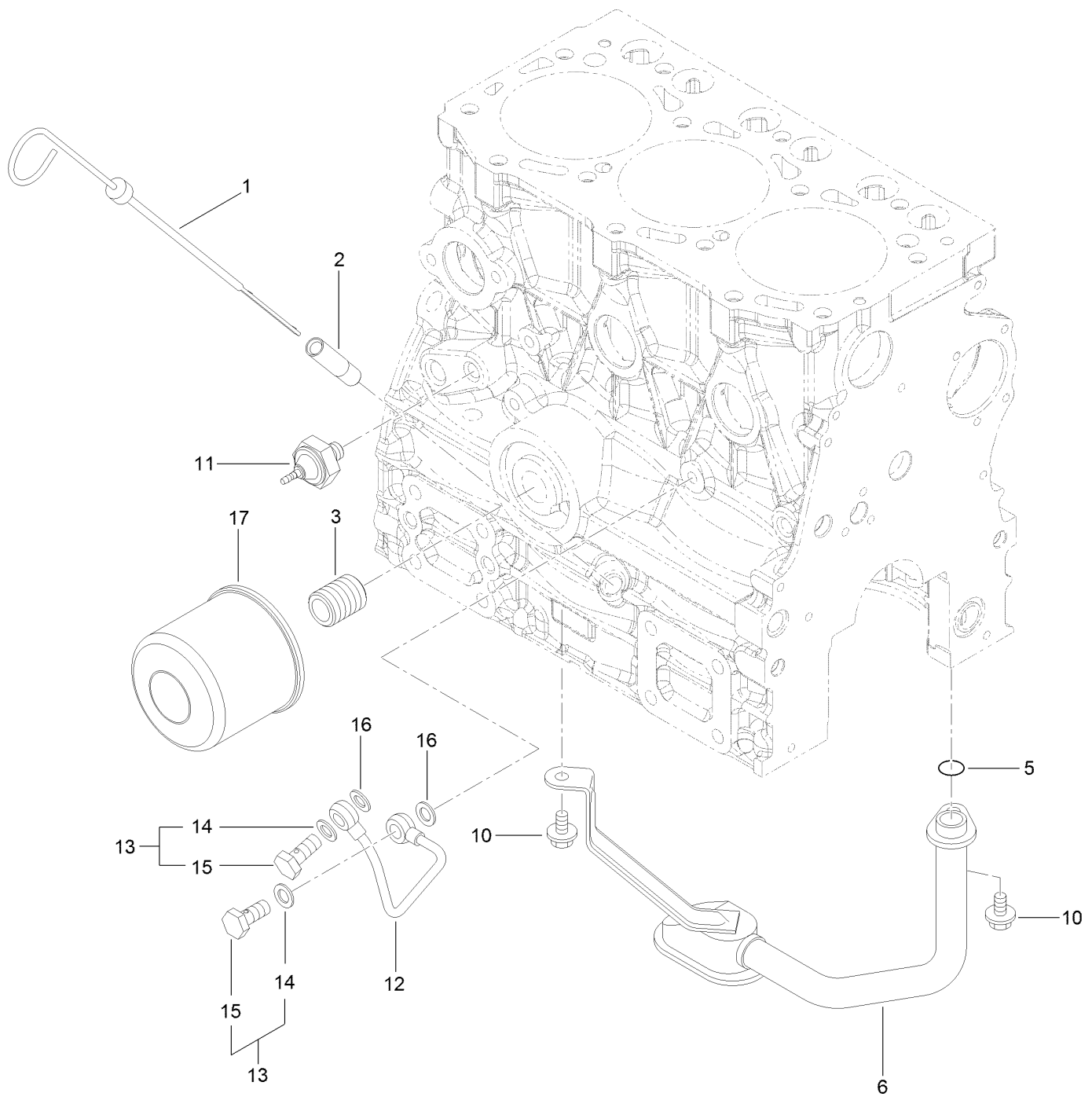
# Crankshaft and Piston Assembly



## Crankshaft and Piston Assembly (continued)

<i>Ref.</i>	<i>Part Number</i>	<i>Qty.</i>	<i>Description</i>	<i>Ref.</i>	<i>Part Number</i>	<i>Qty.</i>	<i>Description</i>
1	135-4152	1	Crankshaft ASM	16	135-4163	3	Piston ASM
2	125-6995	1	Pin	18	135-4164	3	Ring ASM
4	135-4153	1	Gear-Crankshaft	22	135-4165	3	Pin-Piston
5	135-4154	1	Key	23	135-4166	6	Ring
7	125-6951	5	Bolt	24	134-4005	3	Connecting Rod ASM
8	140-7164	1	Flywheel ASM	27	135-4168	6	Bolt-Rod, Connecting
10	125-6943	1	Gear	28	135-4169	3	Bearing-Pin, Crank
11	135-4158	1	V-Pulley, Crankshaft	30	134-4006	3	Bushing-Pin, Piston
12	135-4159	1	Bolt-Flange	31	135-4171	3	Bearing-Pin (0.25)
13	134-4004	1	Packing-Washer	33	134-4007	3	Piston ASM (0.25 Os)
14	135-4161	1	Washer	34	135-4173	3	Ring ASM
15	135-4154	1	Key				

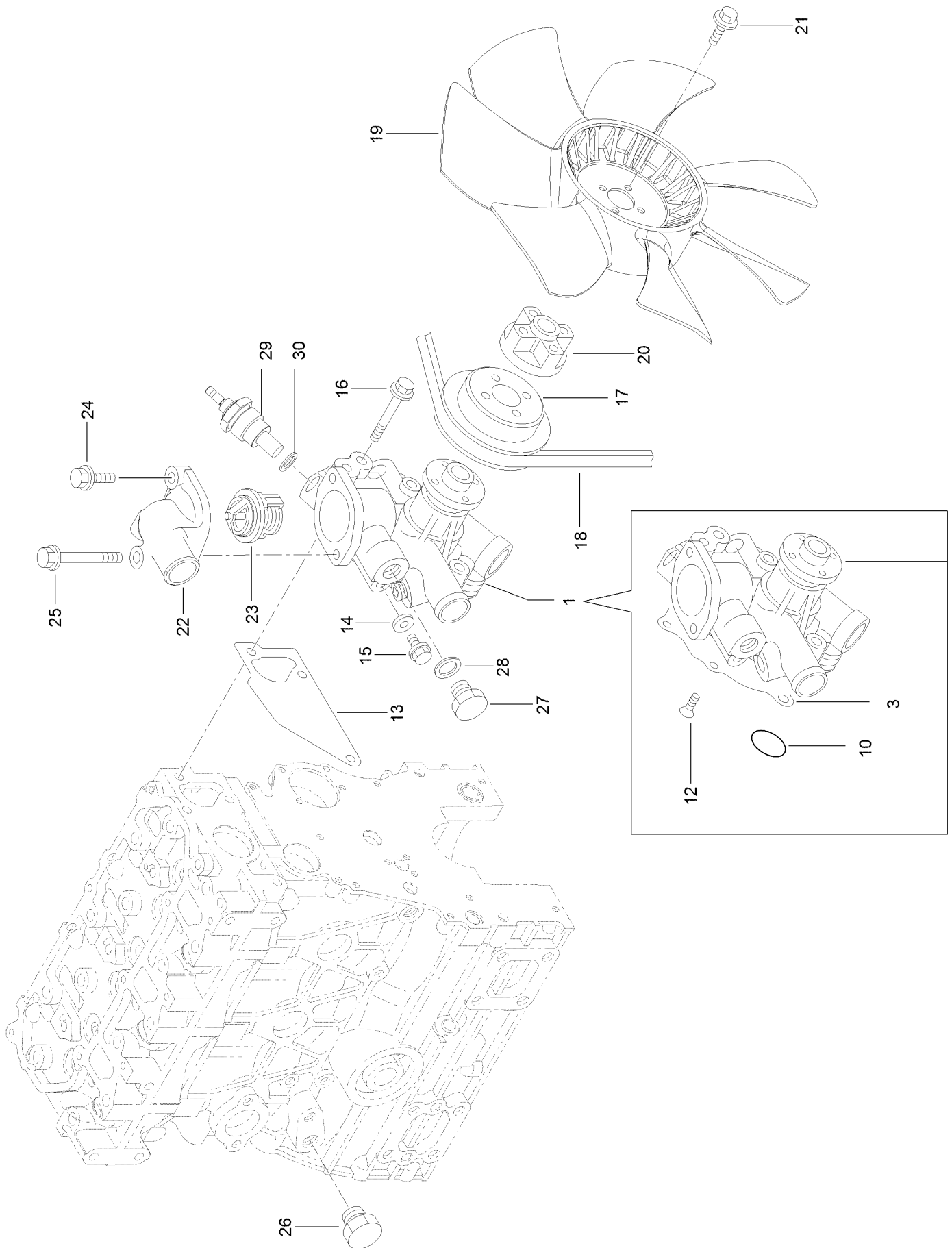
# Lubrication and Oil System Assembly



## Lubrication and Oil System Assembly (continued)

<i>Ref.</i>	<i>Part Number</i>	<i>Qty.</i>	<i>Description</i>	<i>Ref.</i>	<i>Part Number</i>	<i>Qty.</i>	<i>Description</i>
1	134-1413	1	Dipstick	12	135-4182	1	Pipe-Oil
2	125-6954	1	Guide-Dipstick	13	125-6988	2	Joint Bolt ASM
3	134-4008	1	Stud	14	125-7174	2	Washer-Seal
5	135-4178	1	O-Ring	15	125-7194	2	Bolt-Joint
6	134-1414	1	Oil Inlet Pipe ASM	16	125-7174	2	Washer-Seal
10	125-7205	2	Bolt	17	135-4181	1	Filter-Oil, Engine
11	134-1377	1	Switch-Hydraulic				

# Cooling Water System Assembly

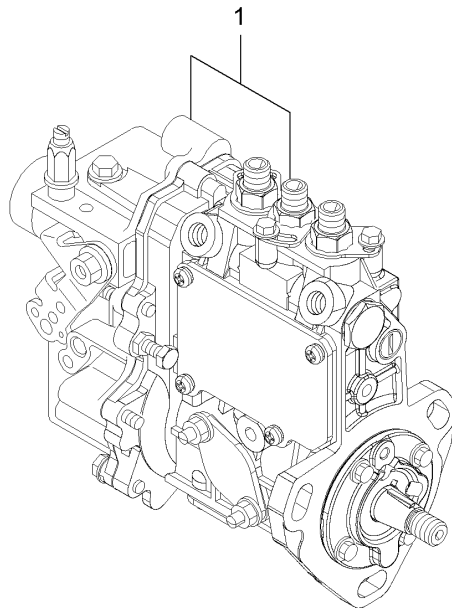
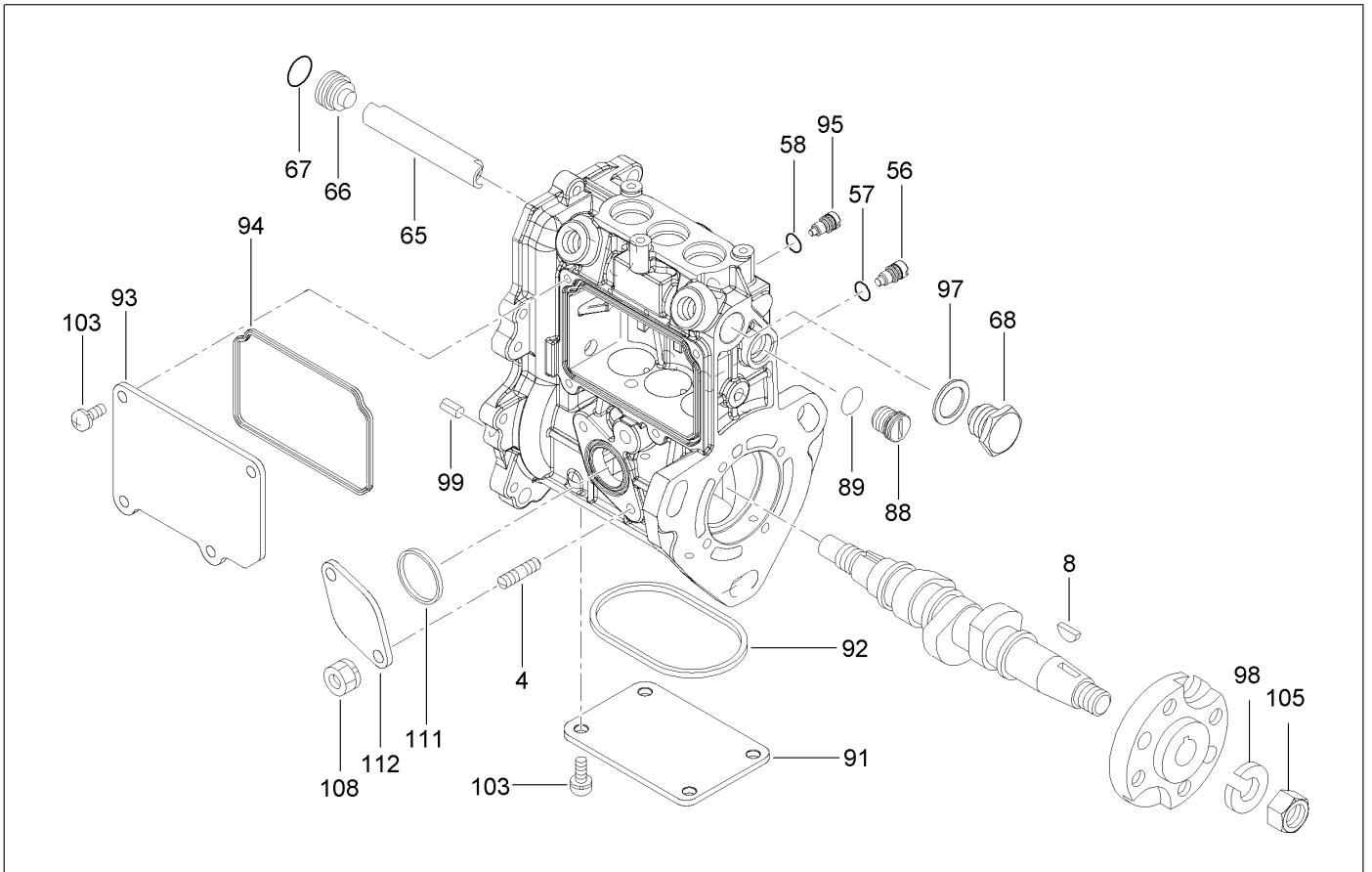




## Cooling Water System Assembly (continued)

<i>Ref.</i>	<i>Part Number</i>	<i>Qty.</i>	<i>Description</i>	<i>Ref.</i>	<i>Part Number</i>	<i>Qty.</i>	<i>Description</i>
1	134-4009	1	CW Pump ASM	20	131-2705	1	Spacer
3	135-4188	1	Gasket	21	131-2739	4	Bolt
10	135-4190	1	O-Ring	22	135-4199	1	Cover-Thermostat
12	133-2504	4	Screw	23	135-4200	1	Thermostat
13	135-4193	1	Gasket-Pump, Water	24	135-4201	1	Bolt
14	125-7192	1	Gasket	25	135-4202	1	Bolt
15	125-7212	1	Bolt	26	125-7171	1	Plug-Drain
16	125-7220	3	Bolt	27	125-6953	1	Plug
17	134-1417	1	V-Pulley	28	125-6979	1	Gasket
18	140-7179	1	V-Belt	29	134-3128	1	Sensor-Temperature
19	140-7157	1	Fan-Cooling	30	134-4010	1	Gasket

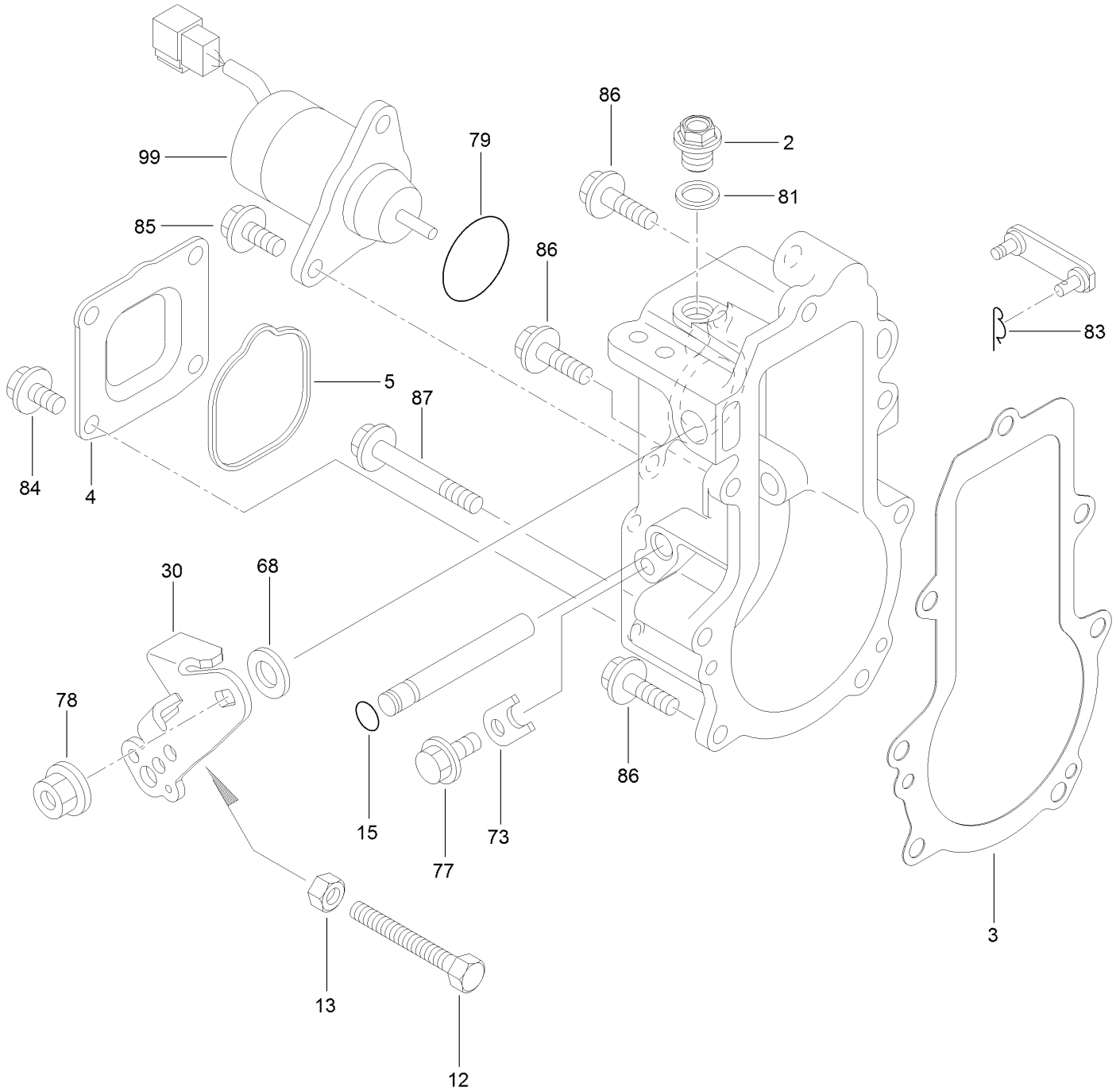
# Fuel Injection Pump Assembly



## Fuel Injection Pump Assembly (continued)

<i>Ref.</i>	<i>Part Number</i>	<i>Qty.</i>	<i>Description</i>	<i>Ref.</i>	<i>Part Number</i>	<i>Qty.</i>	<i>Description</i>
1	140-7183	1	Fuel Injection Equipment ASM	91	135-4215	1	Cover
4	135-4205	2	Bolt-Stud	92	135-4216	1	Gasket
8	135-4206	1	Key-Feather, Woodruff	93	135-4217	1	Cover
56	125-7156	3	Stopper	94	135-4218	1	Gasket
57	135-4207	3	O-Ring	95	135-4219	1	Stopper-Rack
58	135-4207	1	O-Ring	97	136-8236	1	Washer-Seal
65	135-4209	1	Deflector	98	135-4220	1	Washer-Spring
66	135-4210	1	Plug-Deflector	99	125-7183	2	Pin-Spring
67	135-4211	1	O-Ring	103	135-4221	8	Screw
68	135-4212	1	Plug-Deflector	105	133-2506	1	Nut
88	135-4213	1	Plug-Rack	108	135-4222	2	Nut
89	135-4214	1	O-Ring	111	135-4223	1	Gasket
				112	135-4224	1	Cover-Pump

# Governor Assembly



## Governor Assembly (continued)

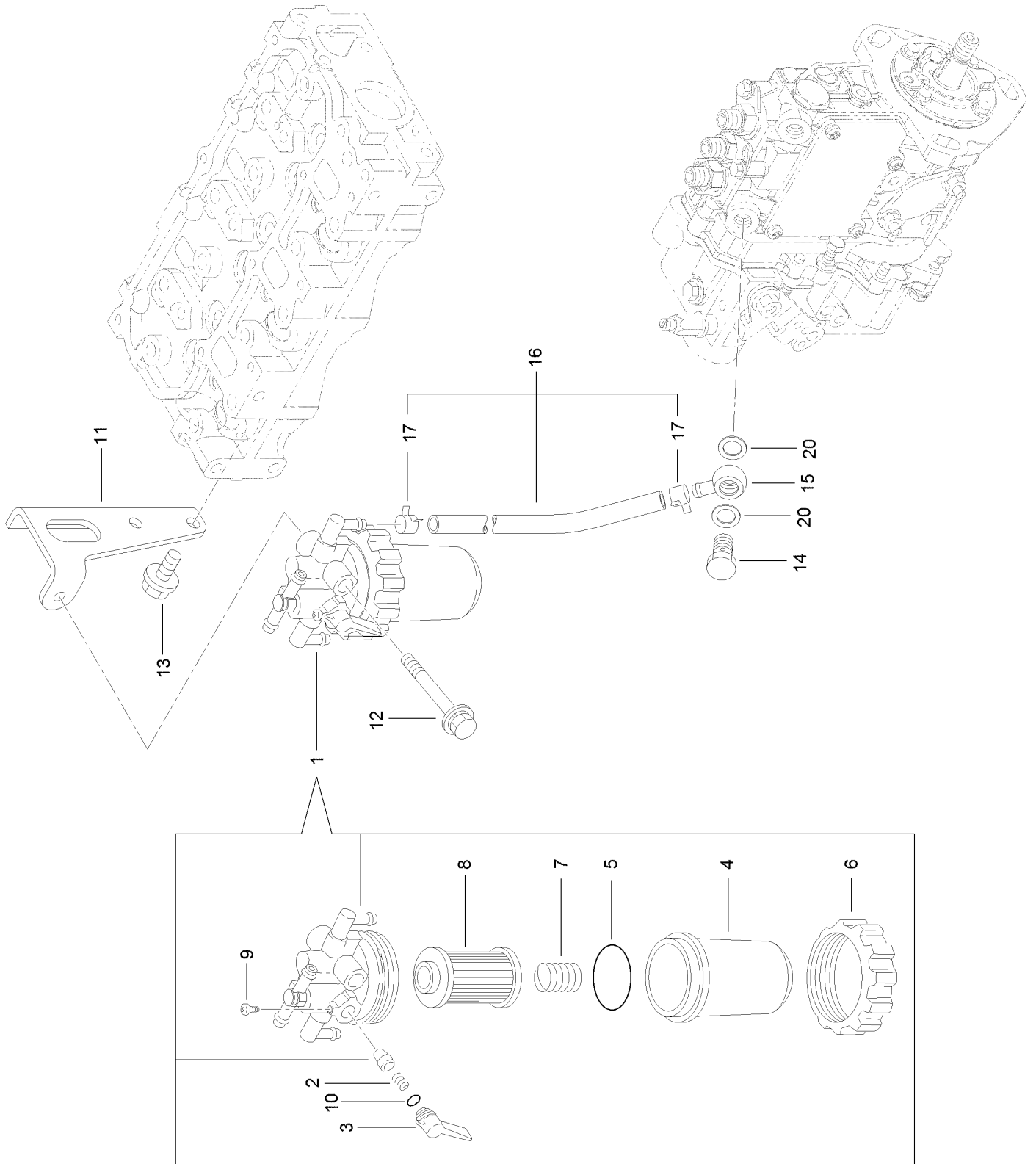
<i>Ref.</i>	<i>Part Number</i>	<i>Qty.</i>	<i>Description</i>	<i>Ref.</i>	<i>Part Number</i>	<i>Qty.</i>	<i>Description</i>
2	135-4226	1	Plug	77	125-7205	1	Bolt
3	135-4227	1	Gasket	78	134-4012	1	Nut-M8
4	140-7159	1	Cover-Case, Governor	79	134-1520	1	O-Ring
5	134-1435	1	Gasket	81	125-7175	1	Washer-Seal
12	134-4013	1	Bolt-Limit, Idle	83	134-1529	1	Pin
13	134-4014	1	Nut	84	125-7205	4	Bolt
15	135-4207	1	O-Ring	85	125-7207	2	Bolt
30	134-1385	1	Lever-Control	86	125-7209	4	Bolt
68	134-1518	1	Shim Set	87	136-8256	3	Bolt
73	134-1395	1	Stopper-Shaft	99	140-7172	1	Stop-Solenoid



## Fuel Injection Valve Assembly (continued)

<i>Ref.</i>	<i>Part Number</i>	<i>Qty.</i>	<i>Description</i>	<i>Ref.</i>	<i>Part Number</i>	<i>Qty.</i>	<i>Description</i>
1	135-4229	3	Nozzle ASM	33	140-7167	2	Clamp-Hose (11.5)
3	135-4230	3	Nozzle ASM	36	134-1431	1	Return Pipe ASM
4	135-4231	3	Adjusting Shim Set	42	140-7155	1	Fuel Pipe ASM
15	134-1488	1	Retainer-Pipe	45	125-6970	2	Clip
18	125-7027	2	Bolt	46	135-4237	3	Gasket
20	135-4233	1	Pipe ASM (Inj No1)	47	135-4239	1	Joint-Over Flow
24	135-4234	1	Pipe ASM (Inj No2)	48	135-4240	3	Nut-Nozzle
28	135-4235	1	Pipe ASM (Inj No3)	49	135-4241	1	Check Valve ASM
32	140-7154	1	Fuel Pipe ASM	55	125-7176	2	Washer-Seal

# Fuel Pipe Assembly

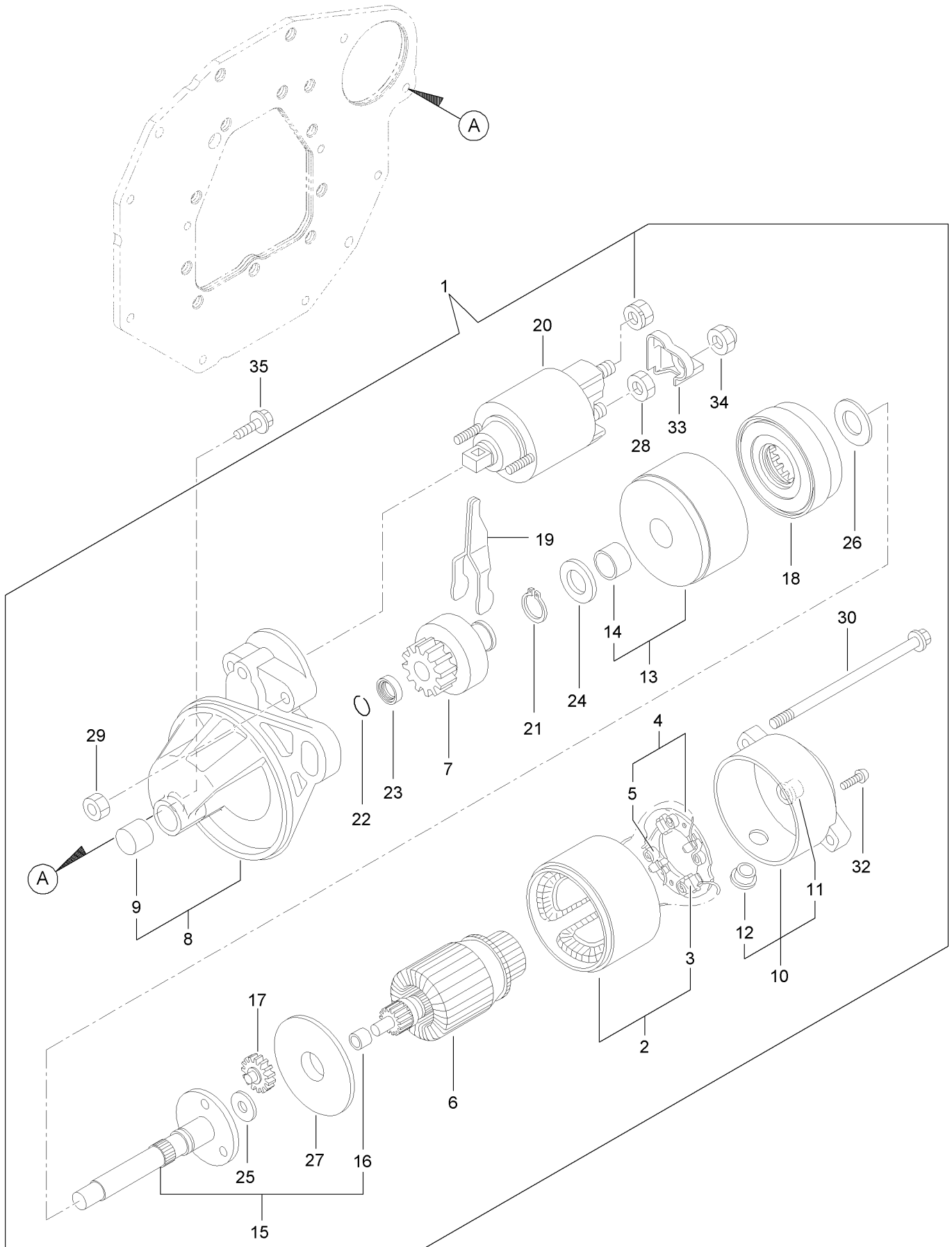




## Fuel Pipe Assembly (continued)

<i>Ref.</i>	<i>Part Number</i>	<i>Qty.</i>	<i>Description</i>	<i>Ref.</i>	<i>Part Number</i>	<i>Qty.</i>	<i>Description</i>
1	139-6234	1	Fuel Filter ASM	10	134-1535	1	O-Ring
2	134-1373	1	Spring-Valve, Fuel	11	140-7158	1	Bracket, Filter
3	134-1454	1	Lever-Fuel	12	140-7180	1	Bolt
4	134-1459	1	Cup-Strainer, Fuel	13	125-7214	2	Bolt
5	134-1371	1	O-Ring	14	135-4242	1	Bolt-Joint, Pipe
6	134-1376	1	Ring-Retaining, Cup	15	135-4243	1	Joint-Pipe
7	134-1458	1	Spring-Element	16	140-7153	1	Fuel Pipe ASM
8	134-3085	1	Element-Filter, Fuel	17	140-7167	2	Clamp-Hose (11.5)
9	134-1375	1	Screw-Pan	20	125-7176	2	Washer-Seal

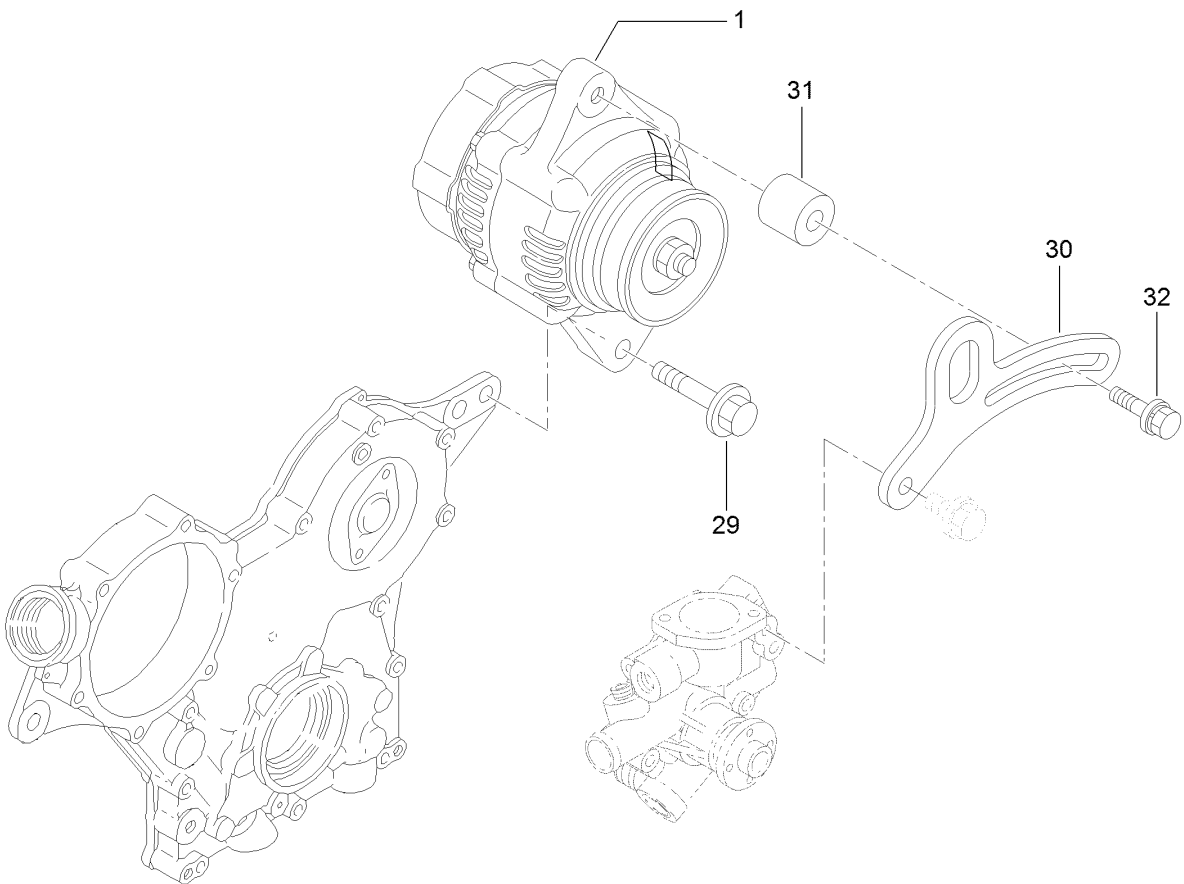
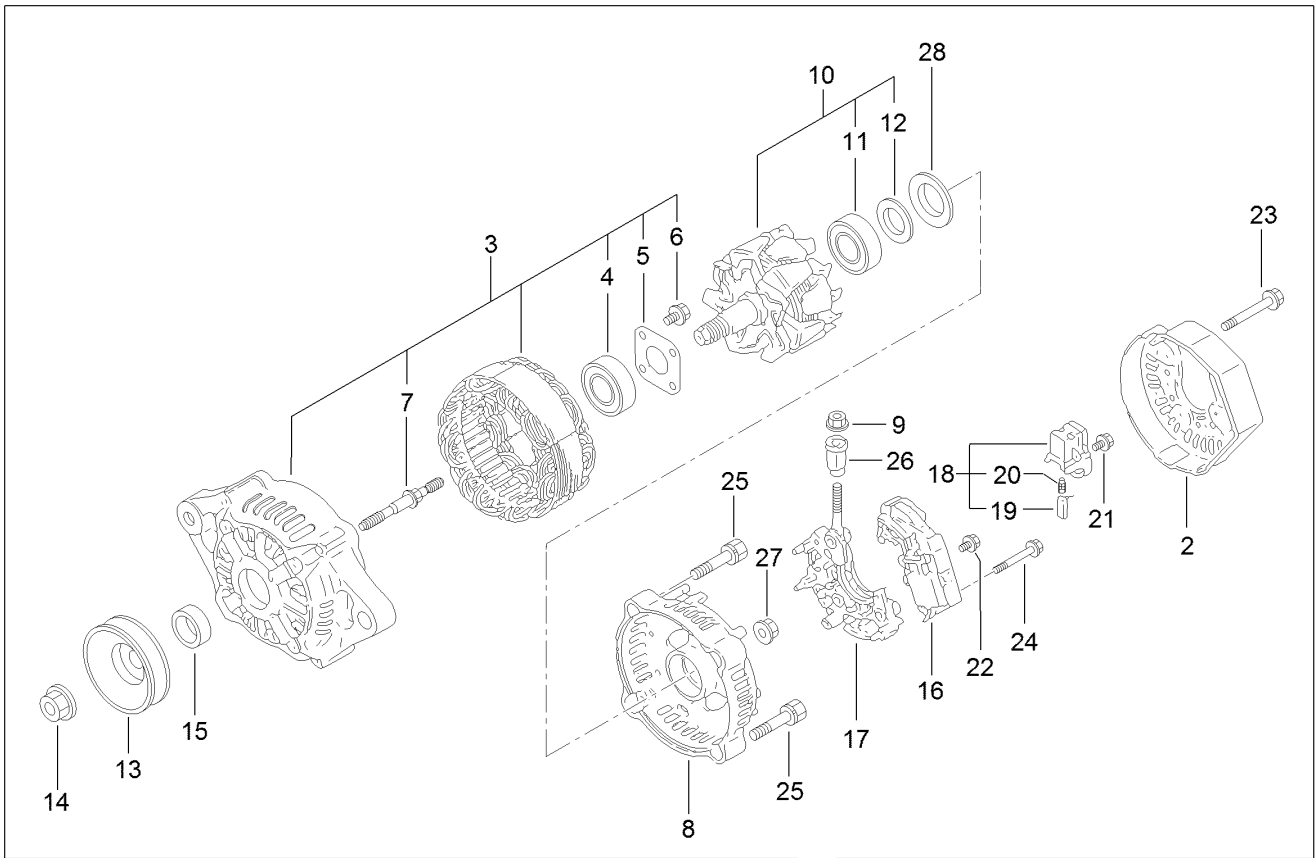
# Starter Motor Assembly



## Starter Motor Assembly (continued)

<i>Ref.</i>	<i>Part Number</i>	<i>Qty.</i>	<i>Description</i>	<i>Ref.</i>	<i>Part Number</i>	<i>Qty.</i>	<i>Description</i>
1	135-4244	1	Starter ASM	18	135-4261	1	Gear
2	135-4245	1	Yoke ASM	19	135-4262	1	Lever
3	135-4246	2	Starter Kit	20	135-4263	1	Switch ASM
4	135-4247	1	Holder ASM	21	135-4264	1	Ring
5	135-4248	4	Spring	22	135-4265	1	Ring
6	135-4249	1	Armature ASM	23	135-4266	1	Nut
7	135-4250	1	Clutch ASM	24	135-4267	1	Washer
8	135-4251	1	Housing ASM	25	135-4268	1	Washer
9	135-4252	1	Bearing-Needle	26	135-4269	1	Washer
10	135-4253	1	Frame ASM	27	135-4270	1	Plate
11	135-4254	1	Bearing	28	135-4271	1	Nut
12	135-4255	1	Cover	29	135-4272	2	Nut
13	135-4256	1	Bearing ASM	30	135-4273	2	Bolt-Through
14	135-4257	1	Bearing	32	135-4274	2	Screw
15	135-4258	1	Shaft ASM	33	135-4275	1	Cover-Terminal
16	135-4259	1	Bearing	34	135-4276	1	Nut
17	135-4260	3	Gear	35	133-2496	2	Bolt

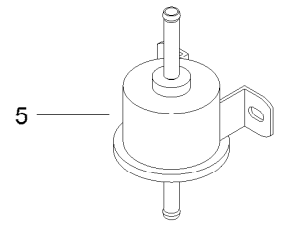
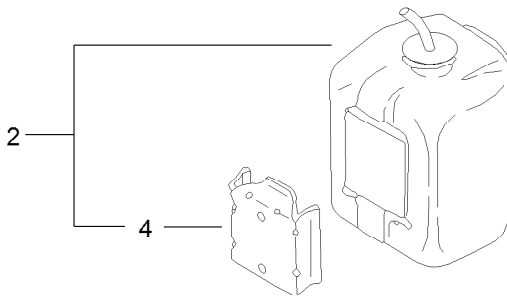
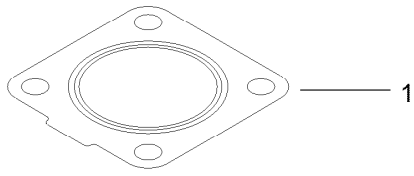
# Generator Assembly



## Generator Assembly (continued)

<i>Ref.</i>	<i>Part Number</i>	<i>Qty.</i>	<i>Description</i>	<i>Ref.</i>	<i>Part Number</i>	<i>Qty.</i>	<i>Description</i>
1	140-7162	1	Alternator (12V-40A)	17	127-2963	1	Holder
2	127-2999	1	Cover	18	127-2993	1	Holder
3	135-4025	1	Frame ASM	19	127-2956	2	Brush ASM
4	127-2958	1	Bearing-Ball	20	127-2964	2	Spring
5	127-2959	1	Plate-Retainer	21	127-2965	6	Screw
6	127-2960	4	Screw	22	127-2966	1	Screw
7	127-2961	2	Stud	23	127-2967	3	Bolt
8	140-7163	1	Rear Frame ASM	24	127-2968	2	Screw
9	127-3190	1	Nut	25	127-2969	2	Bolt
10	127-2951	1	Rotor ASM	26	127-2970	1	Bushing-Insulation
11	127-2983	1	Bearing-Ball	27	127-2971	2	Nut
12	127-2962	1	Cover	28	127-2972	1	Washer
13	127-2954	1	Pulley	29	135-4277	1	Bolt
14	127-2955	1	Nut	30	140-7151	1	Adjuster-Belt
15	127-2957	1	Collar	31	140-7166	1	Spacer-Adjuster
16	134-4018	1	Regulator ASM	32	125-7134	1	Bolt

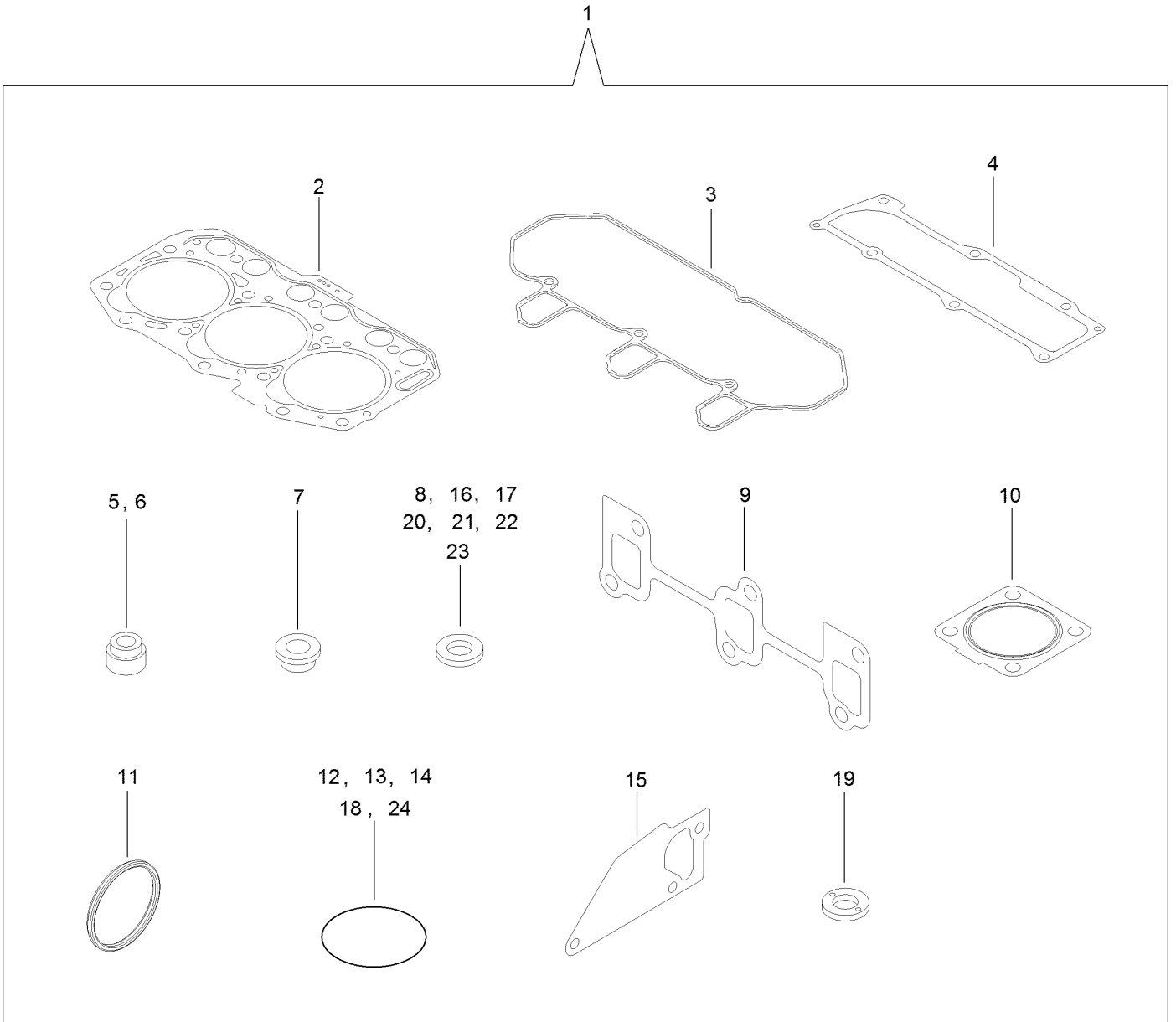
# Accessory Assembly



## Accessory Assembly (continued)

<i>Ref.</i>	<i>Part Number</i>	<i>Qty.</i>	<i>Description</i>	<i>Ref.</i>	<i>Part Number</i>	<i>Qty.</i>	<i>Description</i>
1	134-1383	1	Gasket-Silencer	5	121-5613	1	Pump-Fuel, Electric
2	140-7185	1	Tank ASM	11	134-1507	1	Timer
4	140-7165	1	Bracket-Tank				

# Gasket Set





## Gasket Set (continued)

<i>Ref.</i>	<i>Part Number</i>	<i>Qty.</i>	<i>Description</i>	<i>Ref.</i>	<i>Part Number</i>	<i>Qty.</i>	<i>Description</i>
1	140-7184	1	Gasket Set	13	135-4058	2	O-Ring
2	135-4038	1	Head Gasket Set	14	135-4178	1	O-Ring
3	135-4093	1	Gasket-Cover, Cylinder Head	15	135-4193	1	Gasket-Pump, Water
4	135-4095	1	Gasket	16	125-6979	1	Gasket
5	125-6915	3	Seal-Stem, Valve	17	134-4010	1	Gasket
6	125-6916	3	Seal-Stem, Valve	18	125-6957	1	O-Ring
7	135-4069	3	Protector-Nozzle	19	135-4237	3	Gasket
8	135-4070	6	Gasket-Nozzle	20	125-7174	4	Washer-Seal
9	135-4107	1	Gasket-Manifold, Exhaust	21	125-7176	4	Washer-Seal
10	134-1383	1	Gasket-Silencer	22	136-8236	1	Washer-Seal
11	134-4004	1	Packing-Washer	23	125-7192	1	Gasket
12	127-2973	1	O-Ring	24	125-7197	2	O-Ring

# Attachments and Accessories

## For 31901 Groundsmaster 3200 All-Wheel Drive Traction Unit

Product Name	Model/Part
Slope Sensor Kit.....	31952
CE Kit, Groundsmaster 3200 or 3300 Series Traction Unit.....	31953
CE Kit, Groundsmaster 3200 or 3300 Series 60in Side Discharge Rotary Mower.....	31957
CE Kit, Groundsmaster 3200 or 3300 Series 72in Side Discharge Rotary Mower.....	31958
CE Kit, Groundsmaster 3200 or 3300 Series 60in Rear Discharge Rotary Mower.....	31959
CE Kit, Groundsmaster 3200 or 3300 Series 72in Rear Discharge Rotary Mower.....	31960
Auxiliary HYD Kit.....	31966
60in SD Deck.....	31970
60in RD Deck.....	31971
72in SD Deck.....	31972
72in RD Deck.....	31973
60in RD Deck, T2.....	31974
72in RD Deck, T2.....	31975
Recycler Kit 60in/152cm SD.....	31976
Recycler Kit, 60In/152cm RD.....	31977
Recycler Kit, 72In/183cm SD.....	31978
Recycler Kit, 72In/183cm RD.....	31979
Seat Assembly - Standard.....	31980
Seat Assembly - Mechanical Suspension.....	31981
Seat Assembly - Air Ride Suspension.....	31982
Storage Box Kit.....	31983
USB Charging Kit.....	31984
Recycler Kit 60in/152cm Rd T2.....	31985
Recycler Kit 72in/183cm Rd T2.....	31986
Cab-Winter, GM3000 Series.....	31990
Road Light Kit (North America).....	31991
Road Light Kit (EU).....	31992
Accessory Control Kit.....	31994
LED Beacon Kit.....	31996
Led Work-light Kit (GM3200/3300, Rops).....	31997
15-Pound Cast Weight.....	112-7059-01
42-Pound Weight.....	114-4096
PX Hydraulic Fluid (55 Gal).....	133-8087
PX Hydraulic Fluid (5 Gal).....	133-8086
Premium Synthetic Bio-Degradable Hydraulic Fluid (55 Gallon Drum).....	119-2158
Premium Synthetic Bio-Degradable Hydraulic Fluid (5 Gallon Pail).....	119-2157
Storage Bag Kit.....	139-2020
White Universal Sunshade.....	30669
SMV Kit.....	139-2339
Red Universal Sunshade.....	30671
Switch Panel-Universal Sunshade.....	03248
Wrench-Caster Cap/Latch.....	138-6367
Operator Cooling Fan.....	03247
Sunshade Work Lights Kit.....	138-2700
Beacon Kit.....	138-2699
Filter-Air.....	108-3811

## Attachments and Accessories (continued)

Element-Filter, Fuel .....	134-3085
Semi-Gloss Black Spray Paint .....	361-9
Filter-Spin On, Fuel/Water .....	110-9049
Filter-Oil, Transmission .....	86-3010
Filter-Oil, Engine .....	135-4181
Hydraulic Hose Kit .....	31999
Power Harness Kit .....	140-1559
Kit-Weight .....	144-0480
Plate-Weight, 25 LBS .....	144-0484
Toro Red 12oz Aerosol Can .....	361-10
Paint-Black Bottle .....	112-0176
Paint-Red Pen .....	112-0177
Paint-Red Bottle .....	112-0178
Seat Cover (W/arm rest) .....	117-0095
Kit-Blade, Std (24.5) 3pk .....	144-3911
Kit-Blade, Med Flow (20.5) 3pk .....	144-3912
Kit-Blade, High Flow (20.5) 3pk .....	144-3913
Kit-Blade, Atomic (20.5) 3pk .....	144-3914
Kit-Blade, Low Flow (24.5) 3pk .....	144-3915
Kit-Blade, Recycling (24.5) 3pk .....	144-3916
Kit-Blade, Low Flow (20.5) 3pk .....	144-3917
Kit-Blade, Recycling (20.5) 3pk .....	144-3918
Kit-Blade-24.50 Low Flow 3pk .....	144-3962
Kit-Blade-24.50 Recycler 3pk .....	144-3963
Kit-Blade-20.50 Low Flow 3pk .....	144-3964
Kit-Blade-20.50 Recycler 3pk .....	144-3965
Kit-Blade-24.50 Atomic 3pk .....	144-3966
Kit-Blade-20.50 Atomic 3pk .....	144-3967
Hose Replacement Kit, Groundsmaster 3200 or 3300 Series Traction Unit .....	144-3960
Vibration Reduction Kit, Groundsmaster 3200 Series Traction Unit .....	144-3961
Shim Tensioner Kit, Groundsmaster 3200 or 3300 Series Traction Unit .....	144-4045
Tube Replacement Kit, Groundsmaster 3200 or 3300 Series Traction Unit .....	144-4047
Boss Plow, 5ft Straight Blade .....	MSC23345
Blade Crate (Snowplow), ATV Poly S .....	STB13567B



**Count on it.**