



Count on it.

Parts Catalog

Groundsmaster® 3200
2-Wheel Drive Traction Unit

Model No. 31900—Serial No. 410500000 and Up



Ordering Replacement Parts

To order replacement parts, please supply the part number, the quantity, and the description of each part desired.

Understanding Reference Numbers

Each identified part in an illustration has a reference number. The reference number for a part also appears in the parts list, along with other information about the part.

This catalog uses two special reference number formats, one to indicate parts in a service assembly and another to indicate the quantity of a given part in an illustration.

Service Assembly Reference Numbers

Parts in service assemblies have reference numbers in the form a:b. The a represents the reference number of the entire service assembly and the b represents a sequential number unique to each part within the service assembly.

For example, a wheel assembly might be identified by reference number 6, the tire by 6:1, the valve by 6:2, and the wheel by 6:3. When you order the assembly identified by reference number 6, you receive all parts identified by reference numbers 6:1, 6:2, and 6:3. However, you may also order any part individually. Reference numbers of this type appear in illustration and in parts lists.

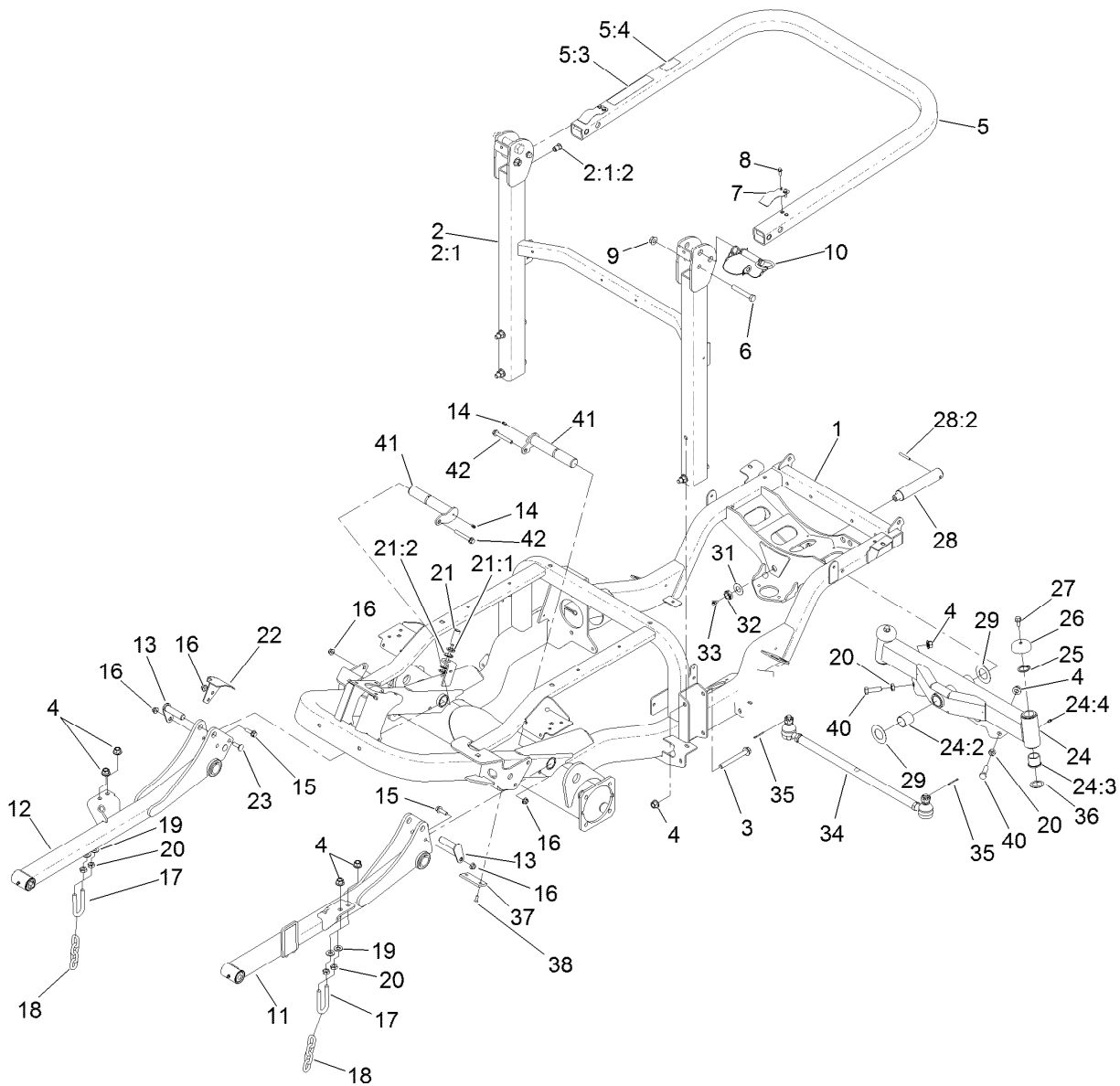
Reference Numbers Indicating Quantity

In an illustration, if a reference number indicates more than one part, the reference number has the form nX y. The n represents the quantity of the part, the X is the multiplication symbol, and the y represents the reference number.

For example, in an illustration, the reference number 2X 37 means that two of the parts identified by reference number 37 are indicated.

Contents

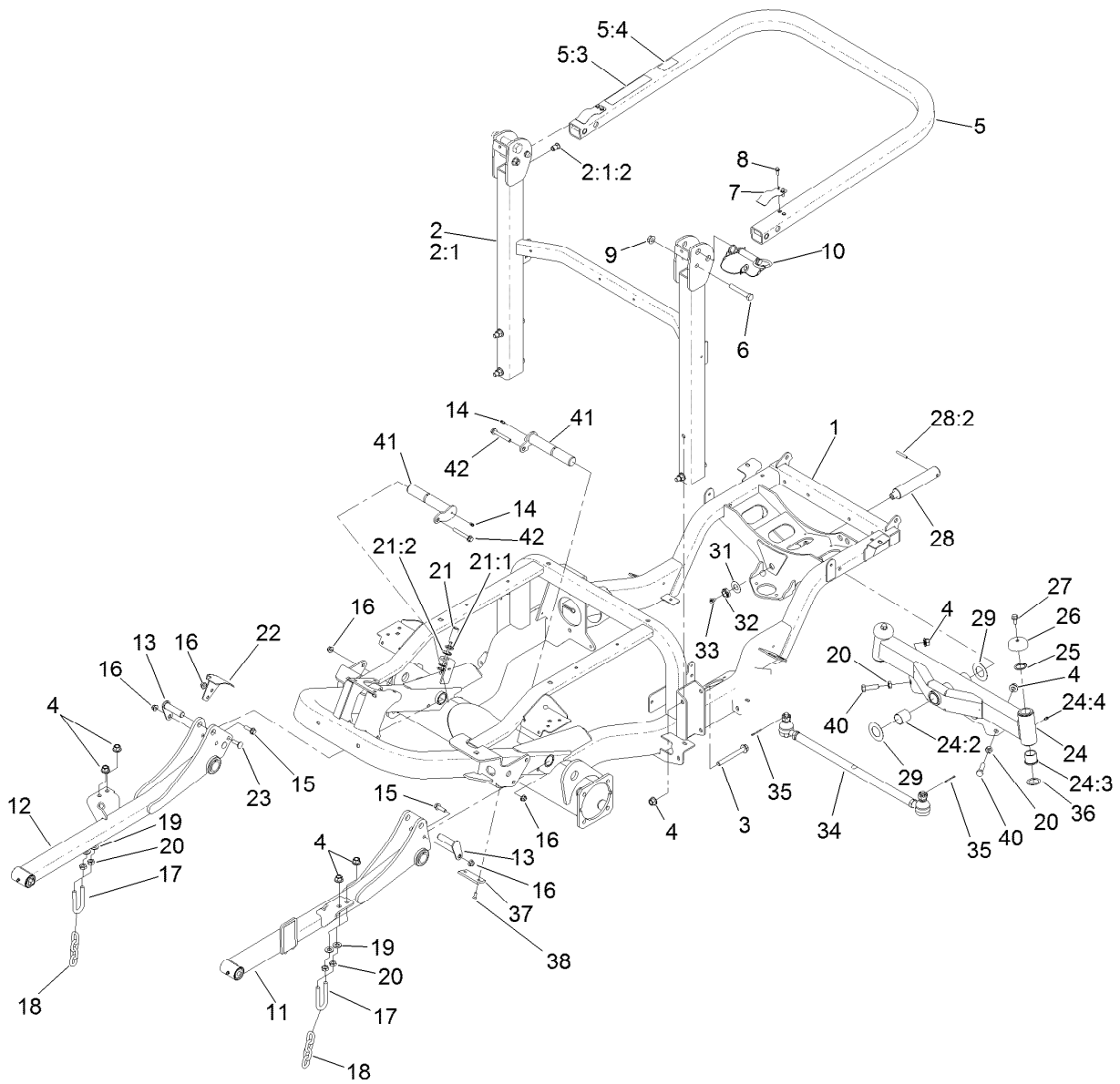
| | |
|--|----|
| Frame and Roll-Over Protection System Assembly | 4 |
| LH Lift Arm Assembly No. 138-7419SP | 6 |
| RH Lift Arm Assembly No. 138-7429SP | 7 |
| Tie Rod Assembly No. 133-6462 | 8 |
| Bumper and Weight Assembly | 9 |
| Front Axle and Parking Brake Assembly | 10 |
| Left Hand Brake Assembly No. 120-0235 | 12 |
| Right Hand Brake Assembly No. 120-0233 | 13 |
| Hydraulic Drive Assembly | 14 |
| Hydraulic Motor Assembly No. 137-2459 | 15 |
| Hydraulic Motor Assembly No. 137-2479 | 16 |
| Steering/Lift Manifold No. 138-4488 | 17 |
| Engine, Air Cleaner and Exhaust Assembly | 19 |
| Air Cleaner Assembly No. 93-2190 | 21 |
| Radiator and Cooler Assembly | 22 |
| Fuel and Hydraulic Tank Assembly | 23 |
| Fuel Tank Assembly No. 138-0291 | 25 |
| Hydraulic Tank Assembly No. 138-4418 | 26 |
| Platform, Steering and Console Assembly | 27 |
| Steering Column Assembly No. 139-0857 | 29 |
| Traction Pedal Assembly | 30 |
| Control Console Assembly | 31 |
| Hood Assembly | 32 |
| Hydraulic PTO Assembly | 33 |
| Variable Piston Pump Assembly No. 138-0305 | 34 |
| Driveshaft Assembly No. 144-0521SP | 36 |
| Hydraulic Assembly | 37 |
| Steering Valve Assembly No. 114-8119 | 40 |
| Gear Pump Assembly No. 138-0321 | 42 |
| Traction Hydraulic Assembly | 43 |
| Electrical Assembly | 44 |
| Wire Harness Assembly No. 122-1657 | 46 |
| Cylinder Block Assembly | 48 |
| Gear Housing Assembly | 50 |
| Mounting Flange and Oil Sump Assembly | 52 |
| Cylinder Head and Cover Assembly | 54 |
| Exhaust Manifold Assembly | 56 |
| Camshaft and Driving Gear Assembly | 58 |
| Crankshaft and Piston Assembly | 60 |
| Lubrication and Oil System Assembly | 62 |
| Cooling Water System Assembly | 64 |
| Fuel Injection Pump Assembly | 66 |
| Governor Assembly | 68 |
| Fuel Injection Valve Assembly | 70 |
| Fuel Pipe Assembly | 72 |
| Starter Motor Assembly | 74 |
| Generator Assembly | 76 |
| Accessory Assembly | 78 |
| Gasket Set | 80 |
| Attachments and Accessories | 82 |



Frame and Roll-Over Protection System Assembly

| Ref. | Part Number | Qty. | Description | Ref. | Part Number | Qty. | Description |
|-------|-------------|------|-----------------------|------|-------------|------|-------------------------------|
| 1 | 133-6450SP | 1 | Frame ASM | 15 | 119-4061 | 2 | Screw-HHF |
| 2 | 139-6254SP | 1 | ROPS ASM, Lower | 16 | 104-8301 | 6 | Nut-HF, NI |
| 2:1 | | 1 | ROPS ASM, Lower ● | 17 | 104-0108 | 2 | U-Bolt |
| 2:1:2 | 138-2760 | 4 | Nut-Clinch, Hex | 18 | 95-6231 | 2 | Chain-HOC |
| 3 | 117-3176 | 4 | Screw-HHF | 19 | 3256-26 | 4 | Washer-Flat |
| 4 | 99-5107 | 10 | Nut-Lock | 20 | 3218-5 | 6 | Nut-Jam |
| 5 | 138-7470 | 1 | ROPS ASM, Upper | 21 | 115-5300 | 1 | Proximity Switch ASM |
| 5:3 | 108-2073 | 1 | Decal-Warning | 21:1 | 117-3207 | 2 | Nut-Hex |
| 5:4 | 139-6244 | 1 | Decal-ROPS Compliance | 21:2 | 117-3208 | 2 | Washer-Lock, Internal Tooth |
| 6 | 325-13 | 2 | Screw-HH | 22 | 139-6170-0P | 1 | Bracket-Sensor Mount [primed] |
| 7 | 110-5696 | 2 | Spring-Leaf | 23 | 3231-2 | 2 | Bolt-CARR |
| 8 | 32105-15 | 4 | Screw-HWH | 24 | 138-4588 | 1 | Axle ASM |
| 9 | 32128-23 | 2 | Nut-HF | 24:2 | 99-6964 | 2 | Bushing-Axle |
| 10 | 103-4553 | 2 | Pin-Fold, ROPS | 24:3 | 104-0015 | 4 | Bushing-Flange |
| 11 | 138-7419SP | 1 | LH Lift Arm ASM | 24:4 | 302-5 | 2 | Fitting-Grease |
| 12 | 138-7429SP | 1 | RH Lift Arm ASM | 25 | 32151-77 | 2 | Ring-Retaining, External |
| 13 | 138-7489 | 2 | Pin (Machined) | 26 | 69-8890 | 2 | Cap-Spindle |
| 14 | 302-5 | 2 | Fitting-Grease | | | | |

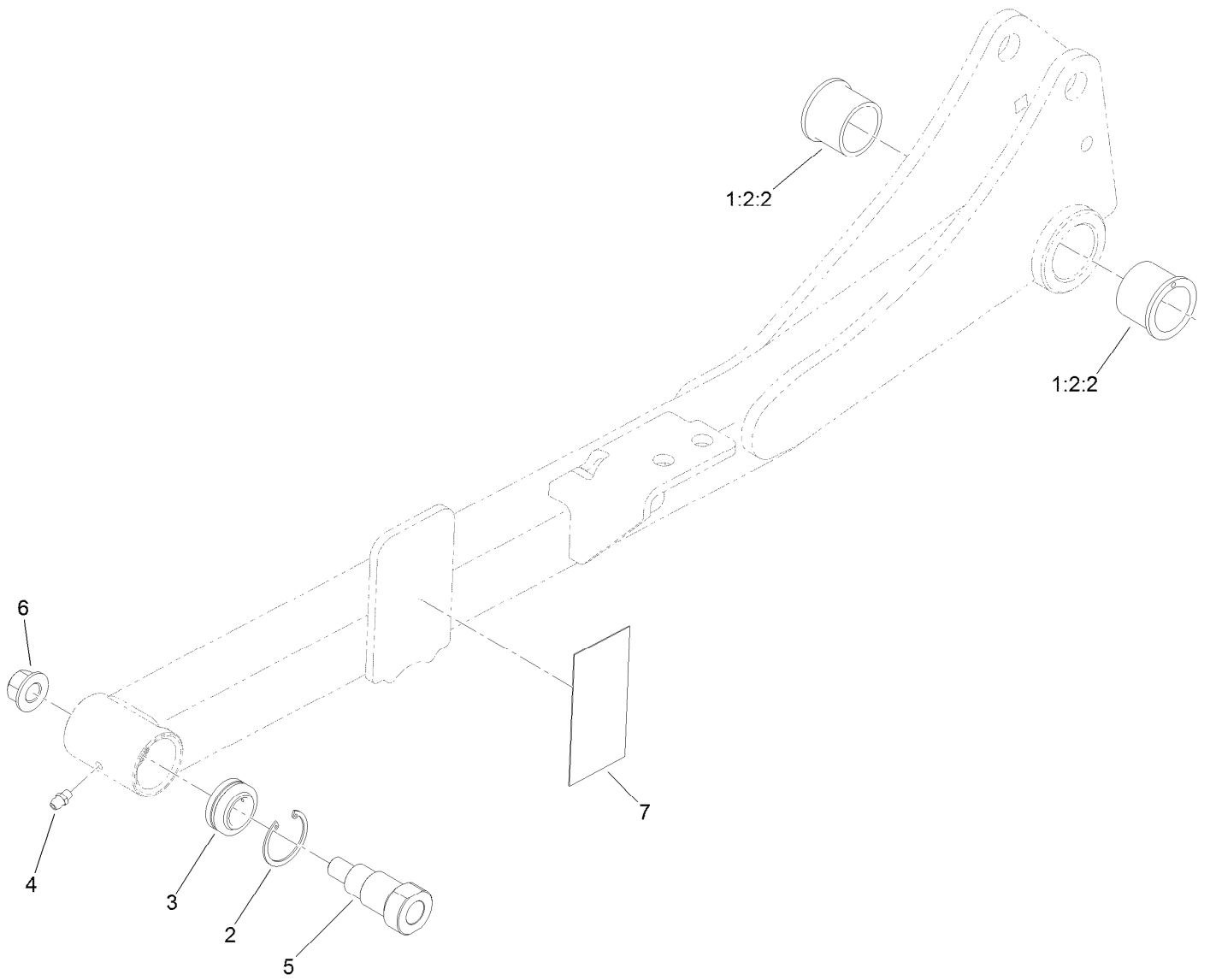
● Not serviced separately



Frame and Roll-Over Protection System Assembly (continued)

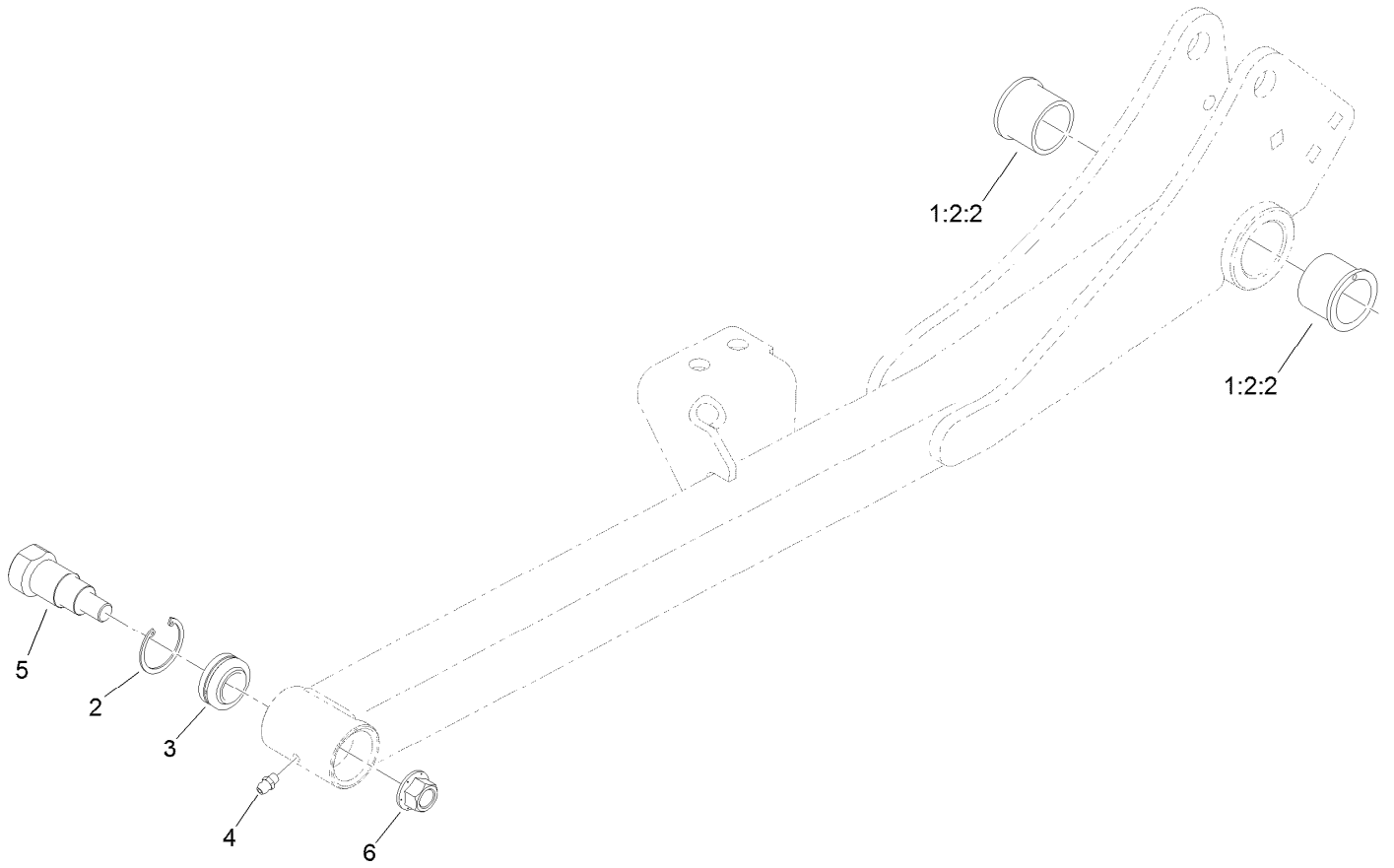
| <i>Ref.</i> | <i>Part Number</i> | <i>Qty.</i> | <i>Description</i> | <i>Ref.</i> | <i>Part Number</i> | <i>Qty.</i> | <i>Description</i> |
|-------------|--------------------|-------------|--------------------|-------------|--------------------|-------------|--------------------|
| 27 | 3234-1 | 2 | Screw-HHF | 35 | 3272-12 | 2 | Pin-Cotter |
| 28 | 140-6101 | 1 | Pin ASM-Axle Pivot | 36 | 76-2980 | 2 | Washer-Thrust |
| 28:2 | 32121-32 | 1 | Pin-Roll | 37 | 138-4452 | 2 | Pad-Stop, Deck |
| 29 | 99-8432 | 2 | Washer-Thrust | 38 | 3289-4 | 4 | Screw-FH |
| 31 | 71-4540 | 1 | Washer-Thrust | 40 | 325-7 | 2 | Screw-HH |
| 32 | 3296-15 | 1 | Nut-Lock, NI | 41 | 138-4593 | 2 | Pin |
| 33 | 302-33 | 1 | Fitting-Grease | 42 | 133-9682 | 2 | Screw-Hfh |
| 34 | 133-6462 | 1 | Tie Rod ASM | | | | |

● Not serviced separately



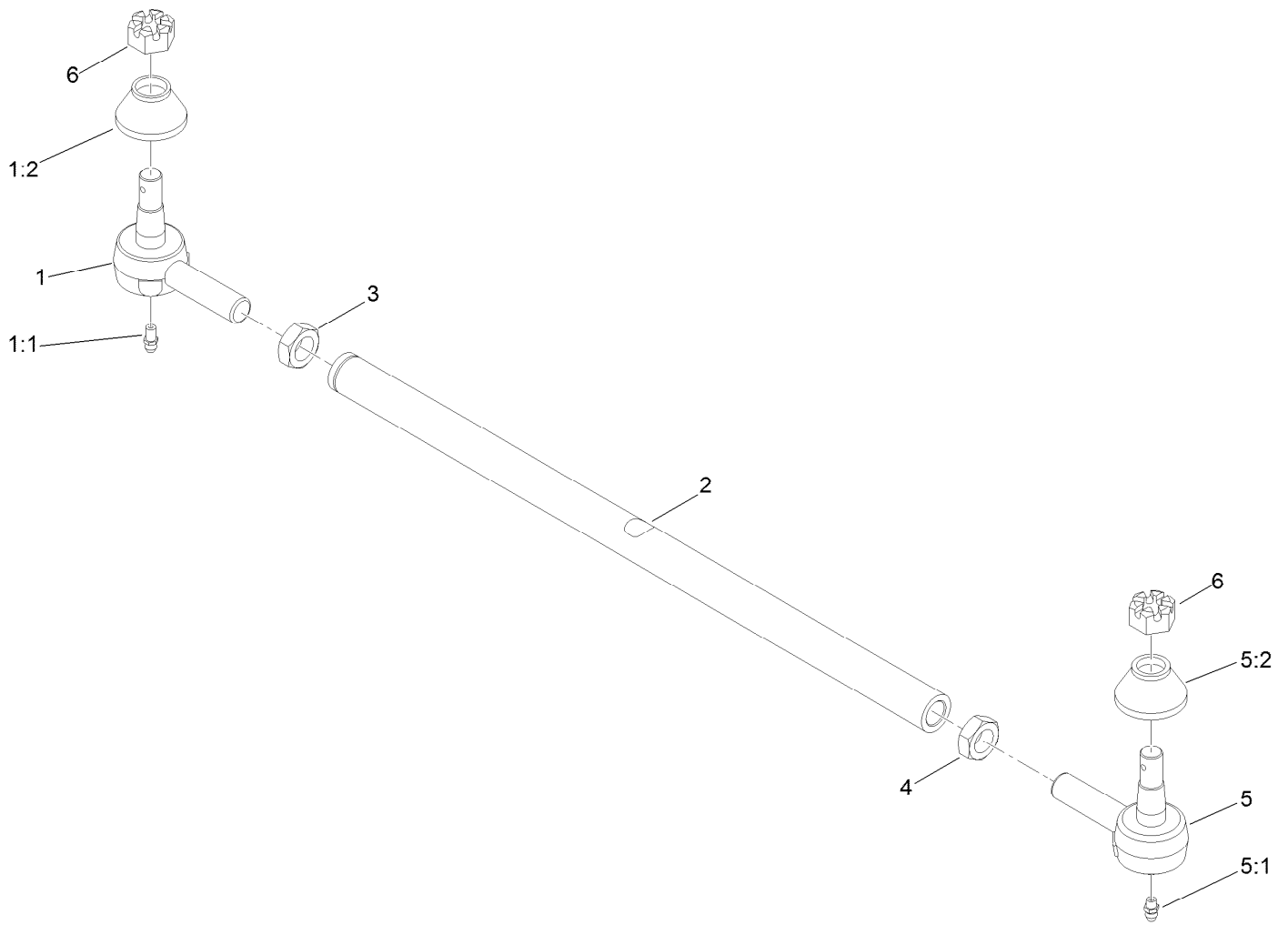
LH Lift Arm Assembly No. 138-7419SP

| <i>Ref.</i> | <i>Part Number</i> | <i>Qty.</i> | <i>Description</i> |
|-------------|--------------------|-------------|--------------------|
| 1:2:2 | 104-0015 | 2 | Bushing-Flange |
| 2 | 32151-34 | 1 | Ring-Retaining |
| 3 | 105-7441 | 1 | Bearing-Spherical |
| 4 | 302-5 | 1 | Fitting-Grease |
| 5 | 139-0910 | 1 | Bolt-Shoulder |
| 6 | 99-5107 | 1 | Nut-Lock |
| 7 | 139-0948 | 1 | Pad-Ride, Pin |



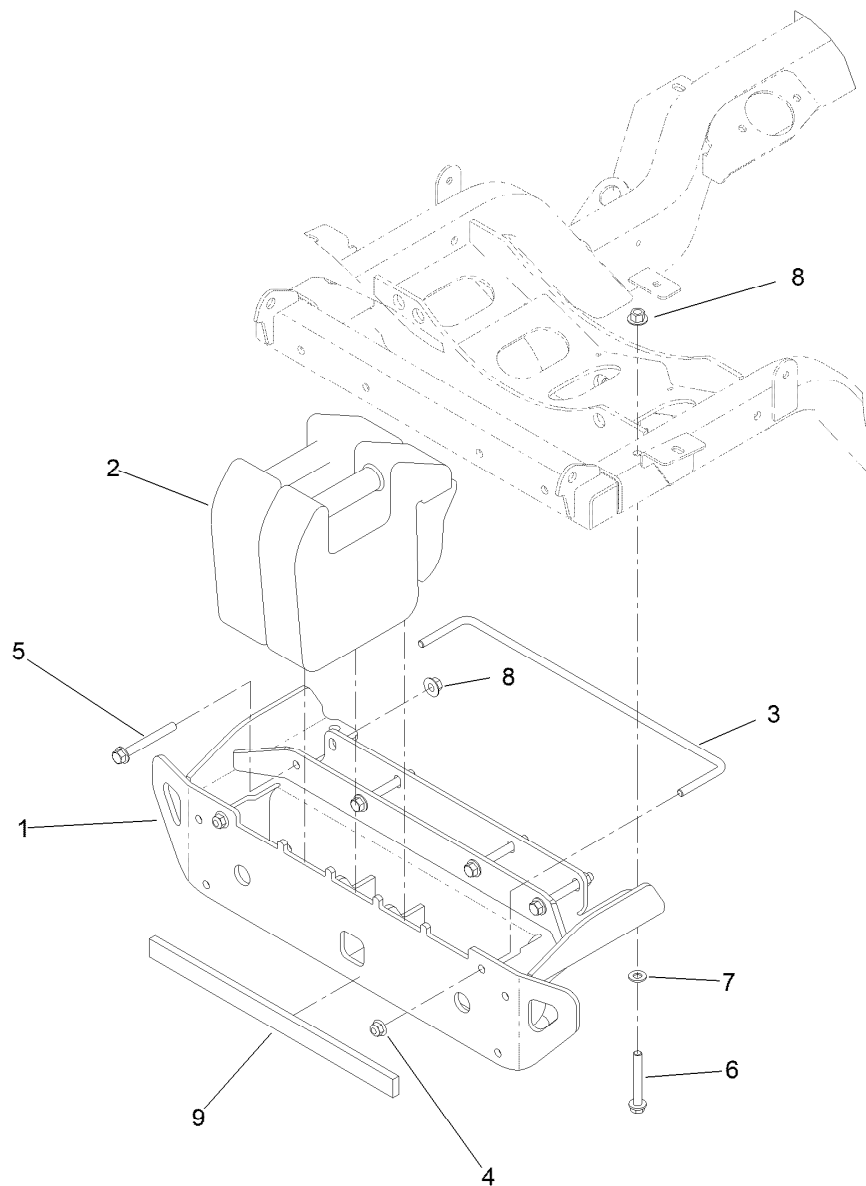
RH Lift Arm Assembly No. 138-7429SP

| <i>Ref.</i> | <i>Part Number</i> | <i>Qty.</i> | <i>Description</i> |
|-------------|--------------------|-------------|--------------------|
| 1:2:2 | 104-0015 | 2 | Bushing-Flange |
| 2 | 32151-34 | 1 | Ring-Retaining |
| 3 | 105-7441 | 1 | Bearing-Spherical |
| 4 | 302-5 | 1 | Fitting-Grease |
| 5 | 139-0910 | 1 | Bolt-Shoulder |
| 6 | 99-5107 | 1 | Nut-Lock |



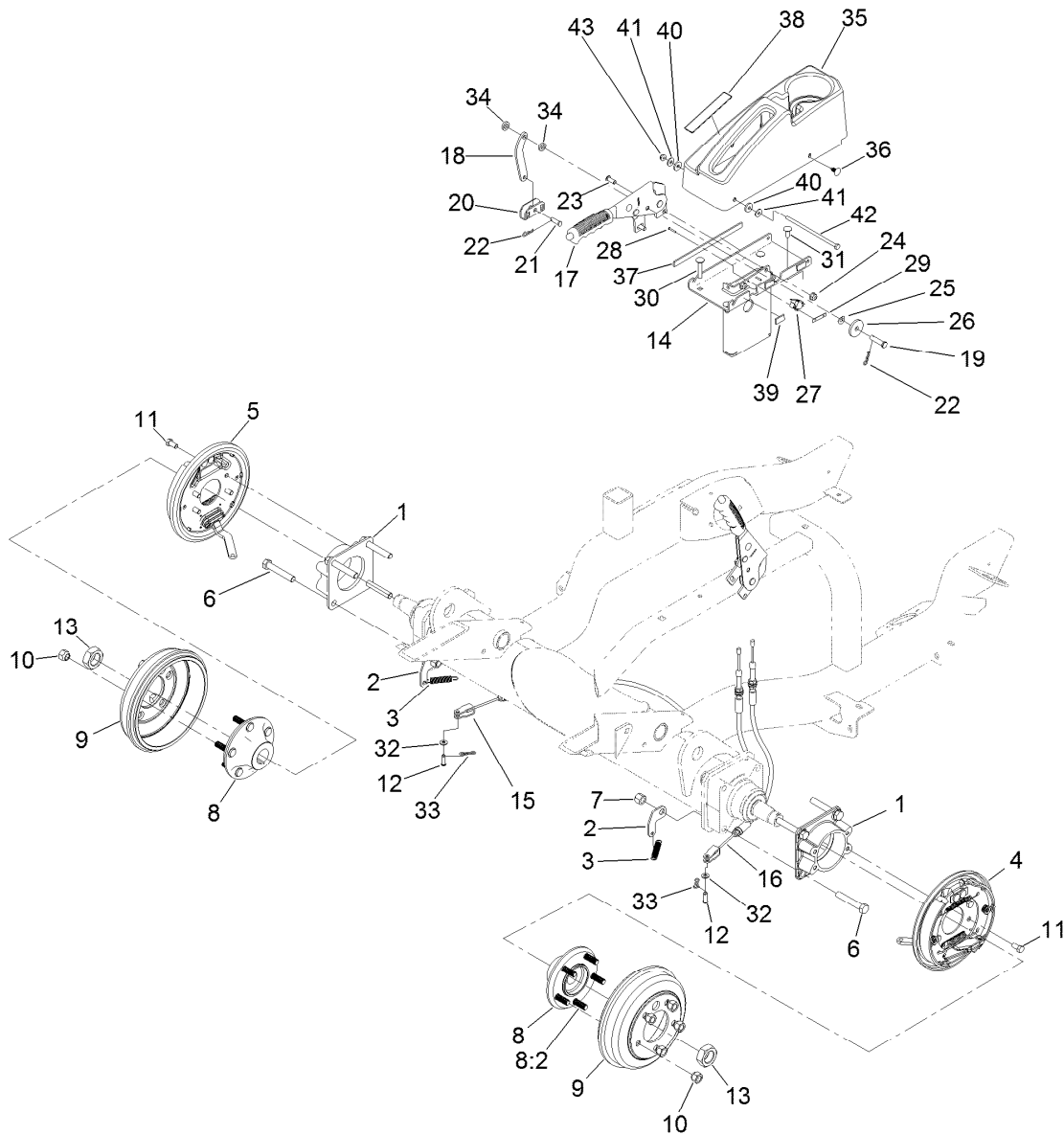
Tie Rod Assembly No. 133-6462

| <i>Ref.</i> | <i>Part Number</i> | <i>Qty.</i> | <i>Description</i> |
|-------------|--------------------|-------------|--------------------|
| 1 | 139-6199 | 1 | Tie Rod End |
| 1:1 | 302-5 | 1 | Fitting-Grease |
| 1:2 | 105-7835 | 1 | Seal |
| 2 | 133-6463 | 1 | Tie-Rod |
| 3 | 84-5300 | 1 | Nut-Jam |
| 4 | 110-5337 | 1 | Nut-Jam |
| 5 | 139-6200 | 1 | Tie Rod End |
| 5:1 | 302-5 | 1 | Fitting-Grease |
| 5:2 | 105-7835 | 1 | Seal |
| 6 | 140-6135 | 2 | Nut-Hex, Slotted |



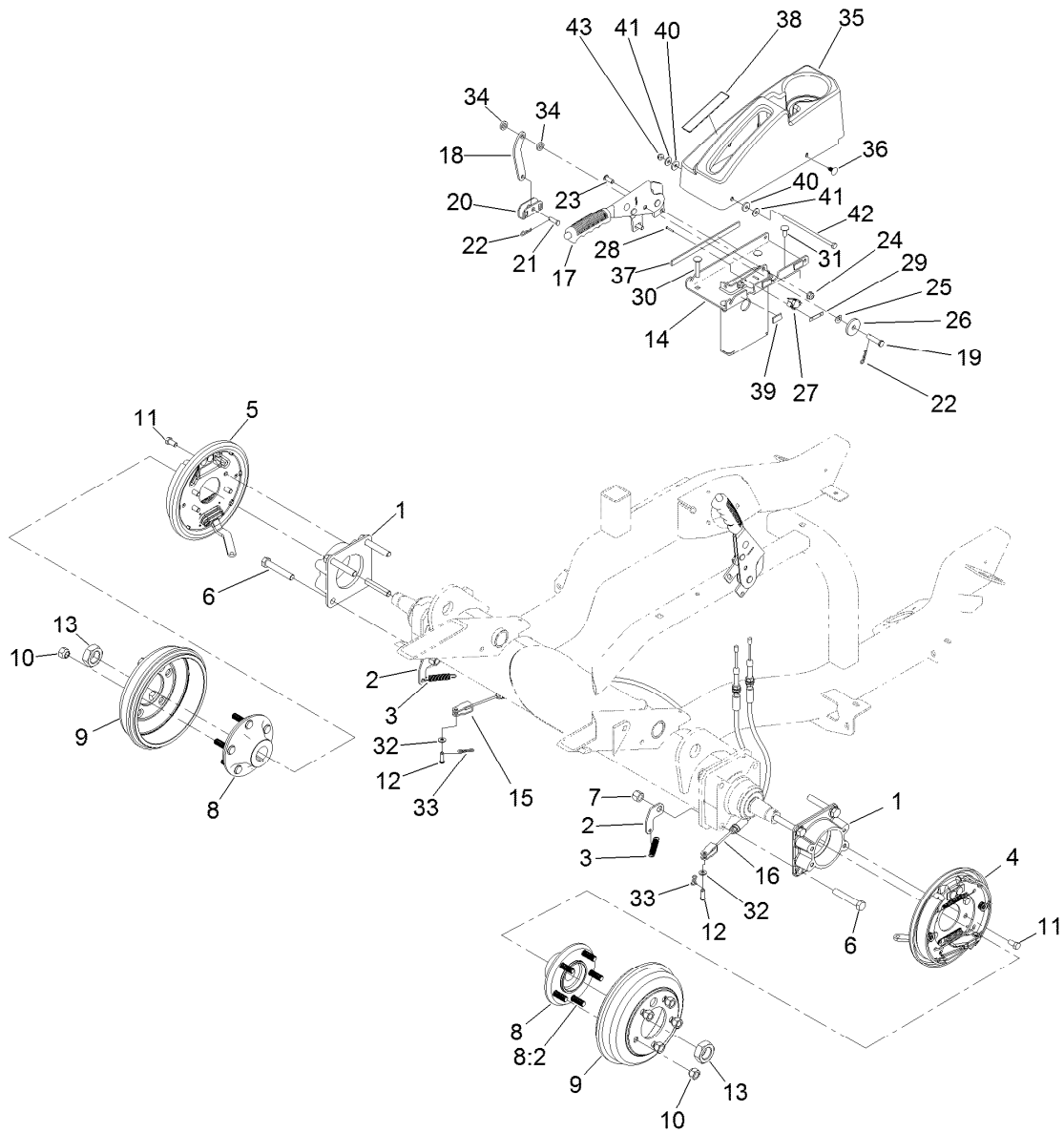
Bumper and Weight Assembly

| <i>Ref.</i> | <i>Part Number</i> | <i>Qty.</i> | <i>Description</i> |
|-------------|--------------------|-------------|--------------------|
| 1 | 139-2328SP | 1 | Rear Bumper |
| 2 | 114-4096 | 2 | Weight |
| 3 | 125-2667 | 1 | Lock-Weight |
| 4 | 104-8301 | 2 | Nut-HF, NI |
| 5 | 3234-41 | 4 | Screw-HHF |
| 6 | 139-2429 | 2 | Screw-HHF |
| 7 | 3256-24 | 2 | Washer-Flat |
| 8 | 32128-43 | 6 | Nut-Flange |
| 9 | 144-0553 | 1 | Strip-Rubber |



Front Axle and Parking Brake Assembly

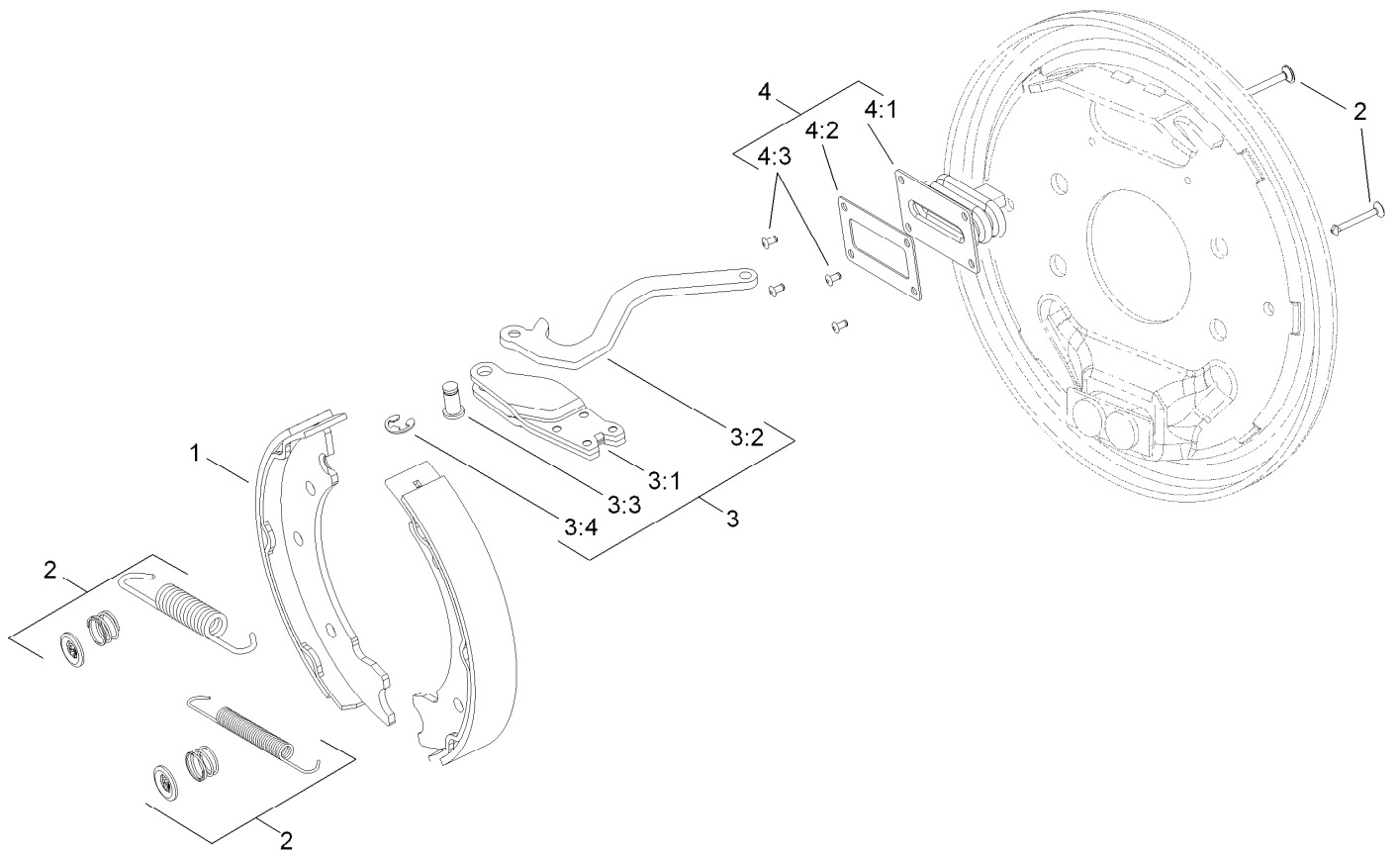
| Ref. | Part Number | Qty. | Description | Ref. | Part Number | Qty. | Description |
|------|-------------|------|---------------------------------|------|-------------|------|--------------------------|
| 1 | 120-6253-03 | 2 | Adapter-Brake | 20 | 87-3480 | 1 | Bracket-Equalizer, Cable |
| 2 | 138-4499 | 2 | Clip-Spring | 21 | 1-808280 | 1 | Pin-Clevis |
| 3 | 137-2591 | 2 | Spring-Extension | 22 | 1-806003 | 2 | Pin-Cotter |
| 4 | 120-0235 | 1 | LH Brake ASM | 23 | 3274-55 | 2 | Screw-HSBH |
| 5 | 120-0233 | 1 | RH Brake ASM | 24 | 104-8300 | 6 | Nut-HF, NI |
| 6 | 325-12 | 8 | Screw-HH | 25 | 121-4605 | 1 | Washer-Spring |
| 7 | 3296-23 | 8 | Nut-Lock, NI | 26 | 131-8496 | 1 | Washer-Plain |
| 8 | 137-2470 | 2 | Hub ASM | 27 | 108-6496 | 1 | Switch (W/Boot) |
| 8:2 | 114-3918 | 5 | Stud-Wheel | 28 | 95-3003 | 2 | Screw-PPHTF |
| 9 | 114-8864 | 2 | Drum-Brake | 29 | 3290-354 | 1 | Nut-Speed |
| 10 | 242-50 | 10 | Nut-Lug | 30 | 116-0629 | 2 | Screw-CARR |
| 11 | 323-4 | 8 | Screw-HH | 31 | 3230-23 | 2 | Bolt-CARR |
| 12 | 283-58 | 2 | Pin-Clevis | 32 | 3256-74 | 2 | Washer-Flat |
| 13 | 107-9319 | 2 | Nut-Hex | 33 | 119-1415 | 2 | Pin-Cotter, Locking |
| 14 | 144-0517-0P | 1 | Parking Brake Mount [primed] | 34 | 3-3287 | 2 | Spacer |
| 15 | 137-2640 | 1 | Cable-Brake, Adjustable RH | 35 | 138-7475 | 1 | Cover-Brake, Parking |
| 16 | 137-2641 | 1 | Cable-Brake, Adjustable LH | 36 | 117-2382 | 2 | Plug-Plastic |
| 17 | 131-8320 | 1 | Lever-Brake, Park | 37 | 132-7282 | 1 | Strip-Foam |
| 18 | 144-0516 | 1 | Link-Park, Brake | 38 | 139-6224 | 1 | Decal-Brake, Parking |
| 19 | 283-10 | 1 | Pin-Clevis | 39 | 115-5417 | 3 | Strip-Foam |
| | | | | 40 | 144-0499 | 2 | Washer-Epdm |



Front Axle and Parking Brake Assembly (continued)

| Ref. | Part Number | Qty. | Description |
|------|-------------|------|-------------|
| 41 | 3256-78 | 2 | Washer-Flat |

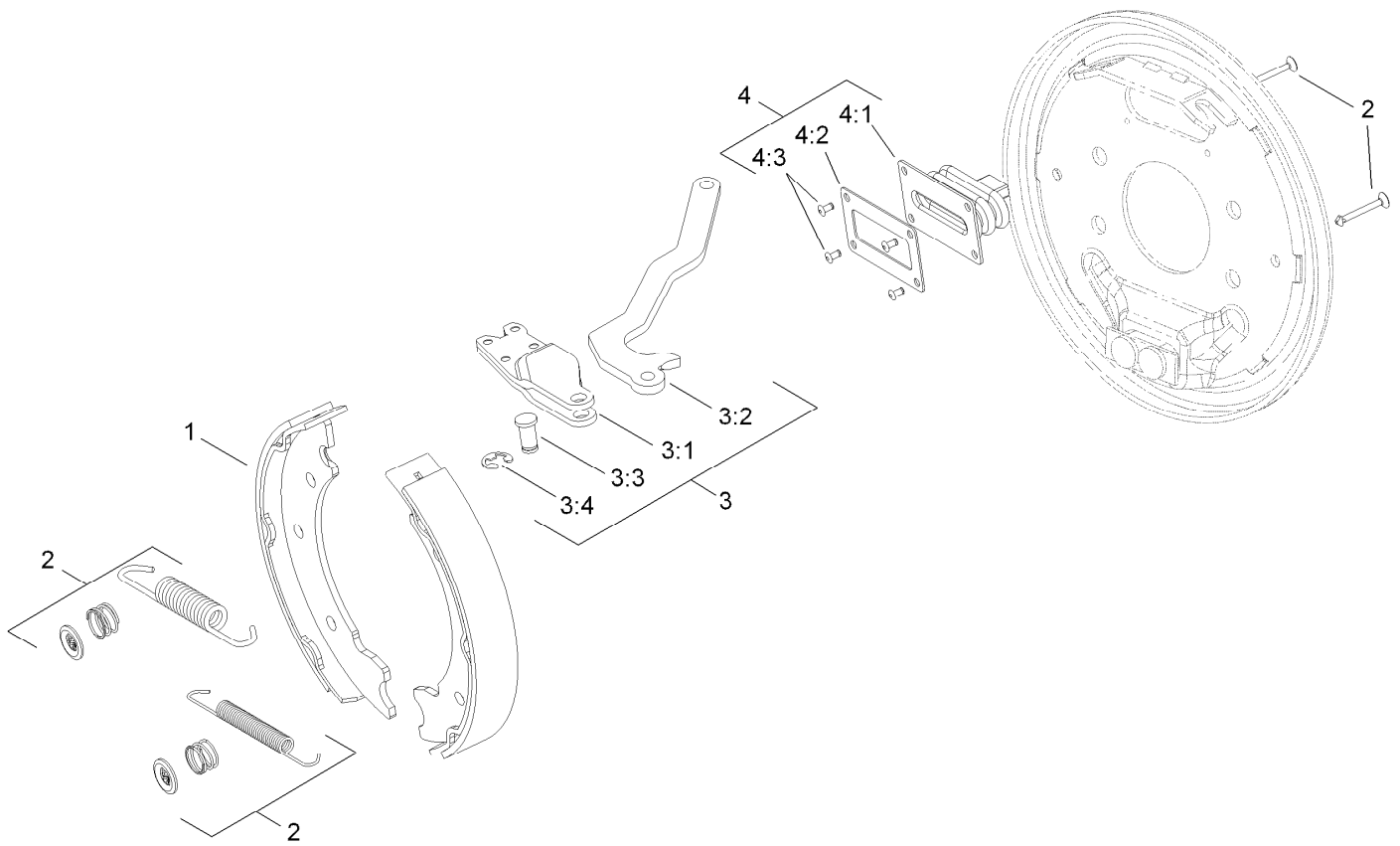
| Ref. | Part Number | Qty. | Description |
|------|-------------|------|-------------|
| 42 | 321-21 | 1 | Screw-HH |
| 43 | 104-7201 | 1 | Nut-HF, NI |



Left Hand Brake Assembly No. 120-0235

| Ref. | Part Number | Qty. | Description |
|------|-------------|------|--------------------|
| 1 | 139-5950 | 1 | Brake Shoe Kit |
| 2 | 108-6983 | 1 | Brake Hardware Kit |
| 3 | 120-0236 | 1 | LH Actuator Kit |
| 3:1 | | 1 | Housing ● |
| 3:2 | | 1 | Lever-LH ● |
| 3:3 | | 1 | Pin-Pivot ● |
| 3:4 | | 1 | E-Ring ● |
| 4 | 110-8885 | 1 | Dust Boot Kit |
| 4:1 | | 1 | Boot ● |
| 4:2 | | 1 | Plate-Back Up ● |
| 4:3 | | 2 | Rivet ● |

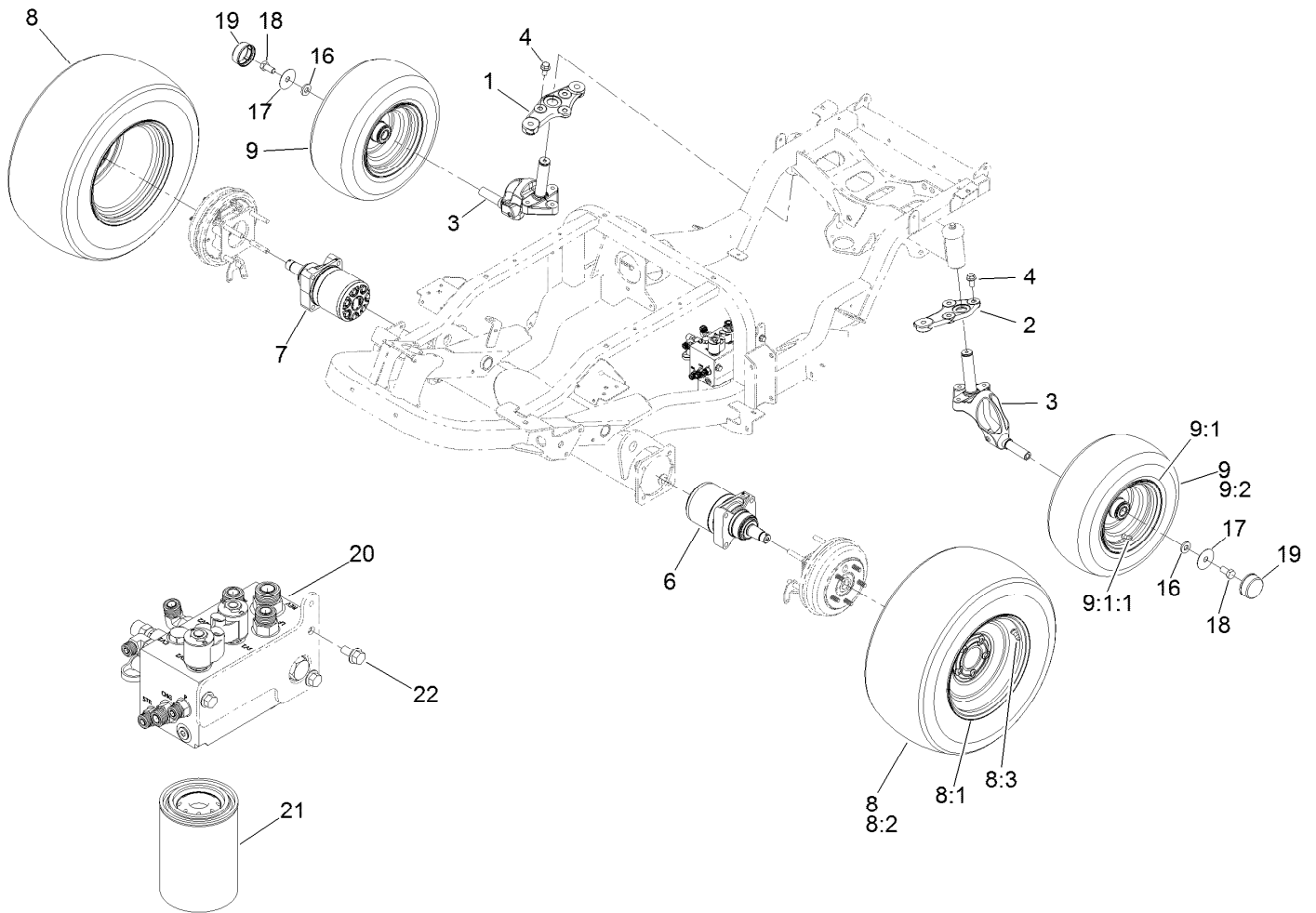
● Not serviced separately



Right Hand Brake Assembly No. 120-0233

| Ref. | Part Number | Qty. | Description |
|------|-------------|------|--------------------|
| 1 | 139-5950 | 1 | Brake Shoe Kit |
| 2 | 108-6983 | 1 | Brake Hardware Kit |
| 3 | 120-0234 | 1 | RH Actuator Kit |
| 3:1 | | 1 | Housing ● |
| 3:2 | | 1 | Lever-RH ● |
| 3:3 | | 1 | Pin-Pivot ● |
| 3:4 | | 1 | E-Ring ● |
| 4 | 110-8885 | 1 | Dust Boot Kit |
| 4:1 | | 1 | Boot ● |
| 4:2 | | 1 | Plate-Back Up ● |
| 4:3 | | 2 | Rivet ● |

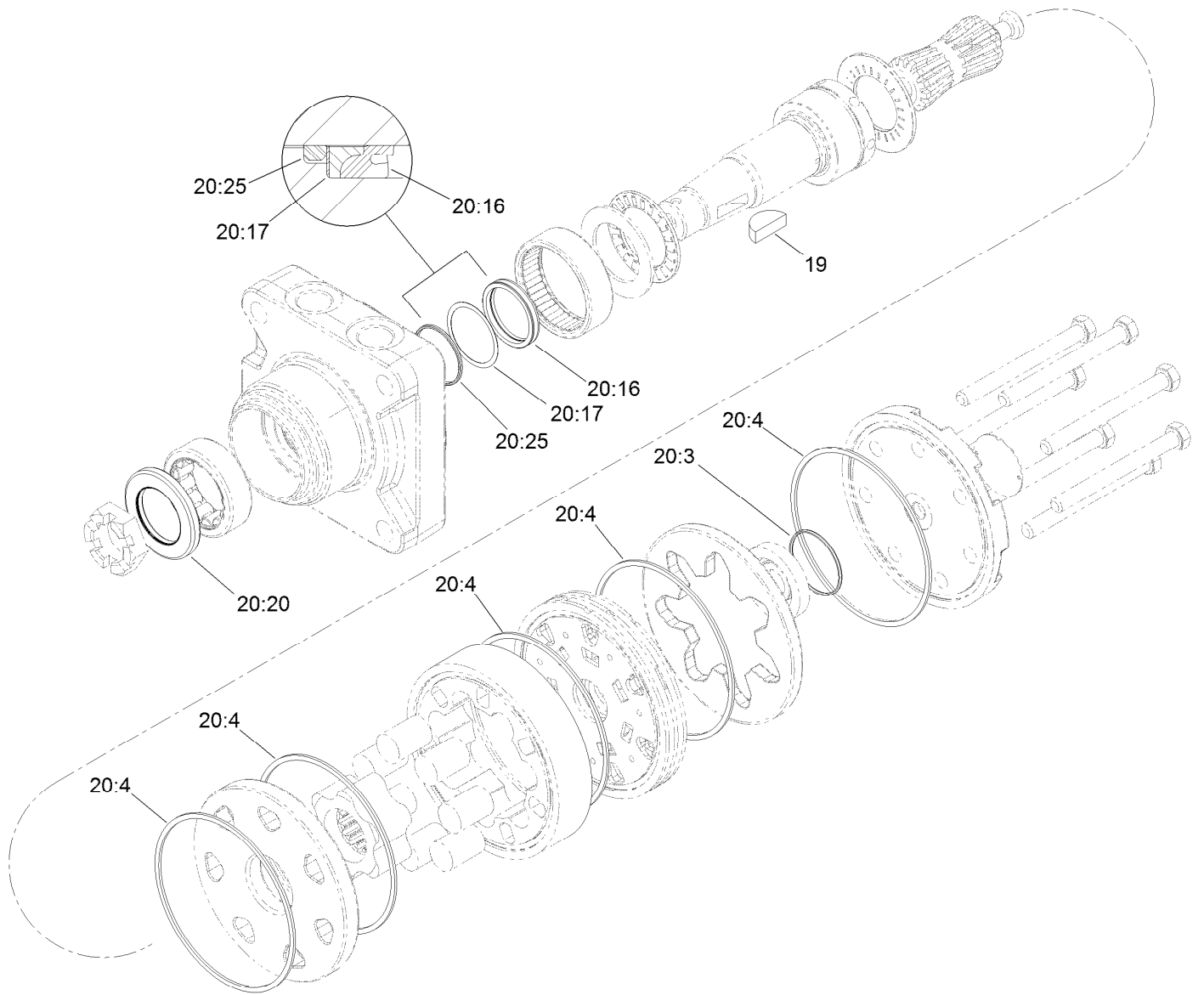
● Not serviced separately



Hydraulic Drive Assembly

| Ref. | Part Number | Qty. | Description |
|------|-------------|------|----------------------|
| 1 | 140-3142 | 1 | Link-Drag, RH |
| 2 | 140-3144 | 1 | Link-Drag, LH |
| 3 | 137-1647 | 2 | Spindle-Steer |
| 4 | 3234-38 | 6 | Screw-HHF |
| 6 | 137-2459 | 1 | Motor-Hydraulic, CCW |
| 7 | 137-2479 | 1 | Motor-Hydraulic, CW |
| 8 | 137-2593 | 2 | Wheel ASM |
| 8:1 | 137-2595 | 1 | Rim |
| 8:2 | 137-2581 | 1 | Tire |
| 8:3 | 232-27 | 1 | Stem-Valve |
| 9 | 138-0310 | 2 | Wheel ASM |

| Ref. | Part Number | Qty. | Description |
|-------|-------------|------|------------------------|
| 9:1 | 138-0311 | 1 | Rim-8" X 5.38" |
| 9:1:1 | 232-27 | 1 | Stem-Valve |
| 9:2 | 1-413474 | 1 | Tire-Turfmaster |
| 16 | 99-7667 | 2 | Washer-Flat |
| 17 | 99-7719 | 2 | Washer |
| 18 | 327-3 | 2 | Screw-HH |
| 19 | 94-7871 | 2 | Cap-Dust |
| 20 | 138-4488 | 1 | Manifold-Steering/Lift |
| 21 | 86-3010 | 1 | Filter-Oil |
| 22 | 3234-1 | 3 | Screw-HHF |

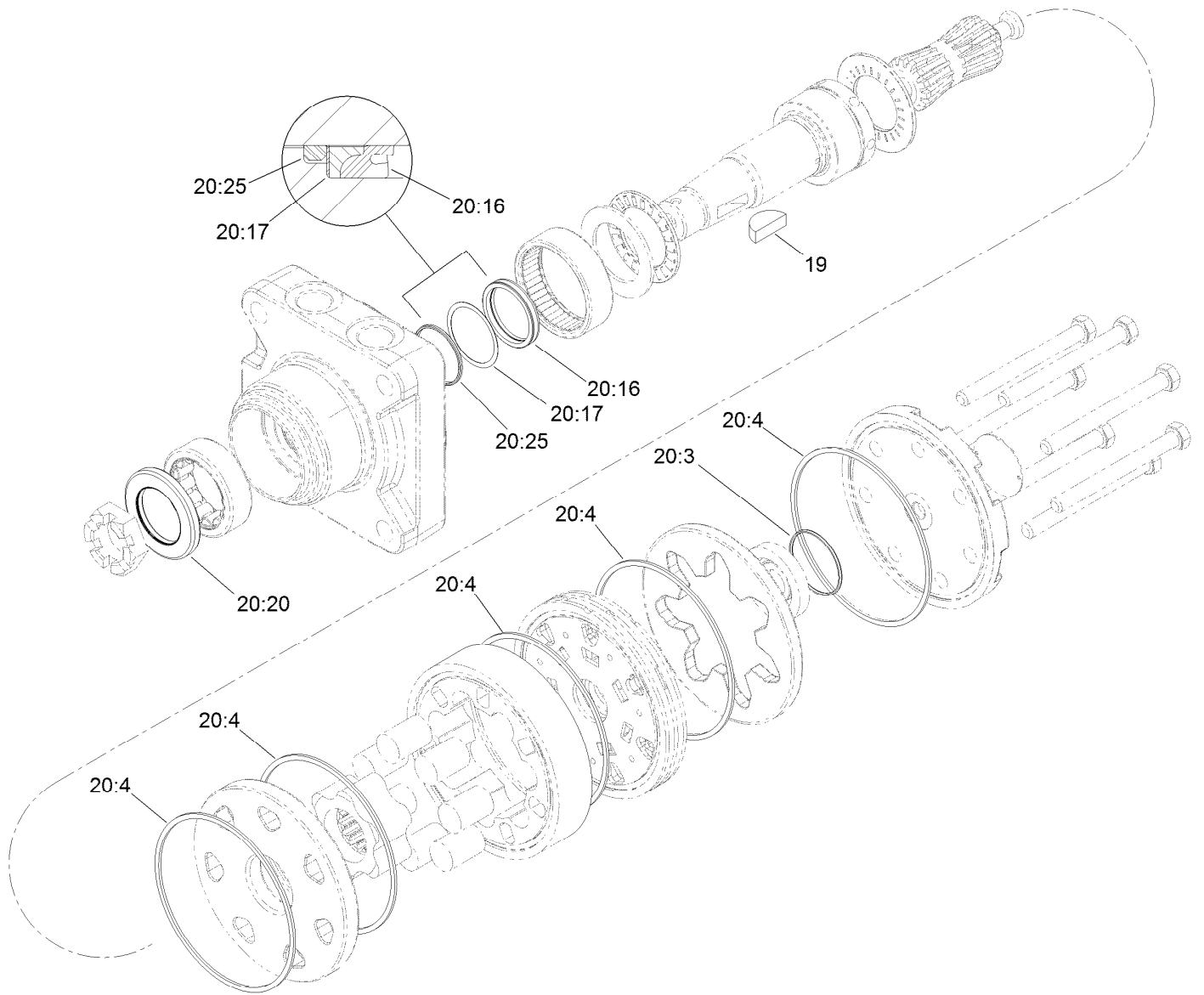


Hydraulic Motor Assembly No. 137-2459

| <i>Ref.</i> | <i>Part Number</i> | <i>Qty.</i> | <i>Description</i> |
|-------------|--------------------|-------------|---------------------------|
| 19 | 3257-42 | 1 | Key-Woodruff |
| 20 | 110-8896 | 1 | Seal Kit ● |
| 20:3 | | 1 | Seal-Commutator, Vespel ■ |
| 20:4 | | 6 | Seal-Body, Buna ■ |
| 20:16 | | 1 | Seal-Shaft ■ |
| 20:17 | | 1 | Washer-Back Up ■ |
| 20:20 | | 1 | Seal-Dirt/Water ■ |
| 20:25 | | 1 | Ring-Back Up ■ |

● Not illustrated

■ Not serviced separately

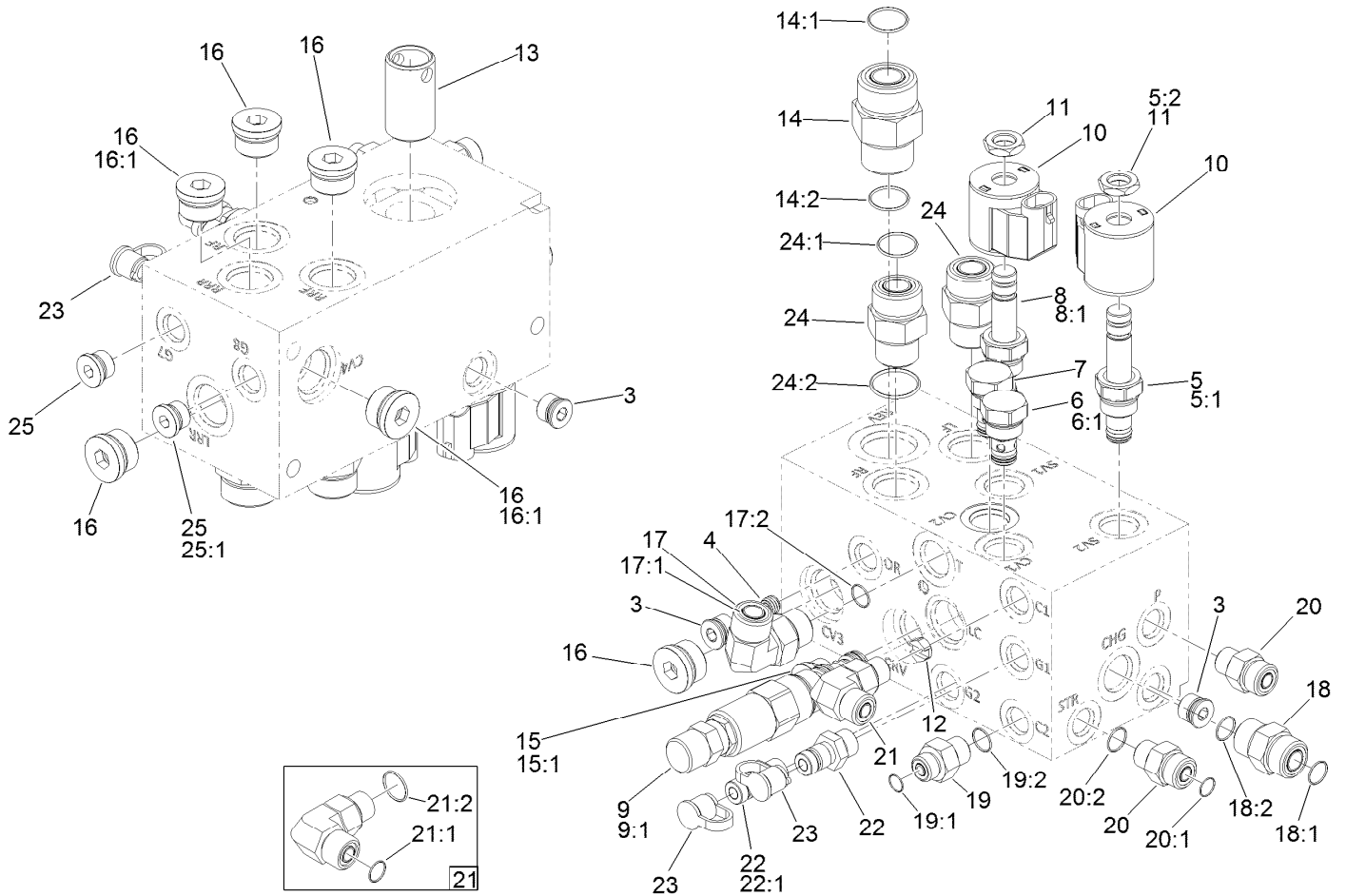


Hydraulic Motor Assembly No. 137-2479

| <i>Ref.</i> | <i>Part Number</i> | <i>Qty.</i> | <i>Description</i> |
|-------------|--------------------|-------------|---------------------------|
| 19 | 3257-42 | 1 | Key-Woodruff |
| 20 | 110-8896 | 1 | Seal Kit ● |
| 20:3 | | 1 | Seal-Commutator, Vespel ■ |
| 20:4 | | 6 | Seal-Body, Buna ■ |
| 20:16 | | 1 | Seal-Shaft ■ |
| 20:17 | | 1 | Washer-Back Up ■ |
| 20:20 | | 1 | Seal-Dirt/Water ■ |
| 20:25 | | 1 | Ring-Back Up ■ |

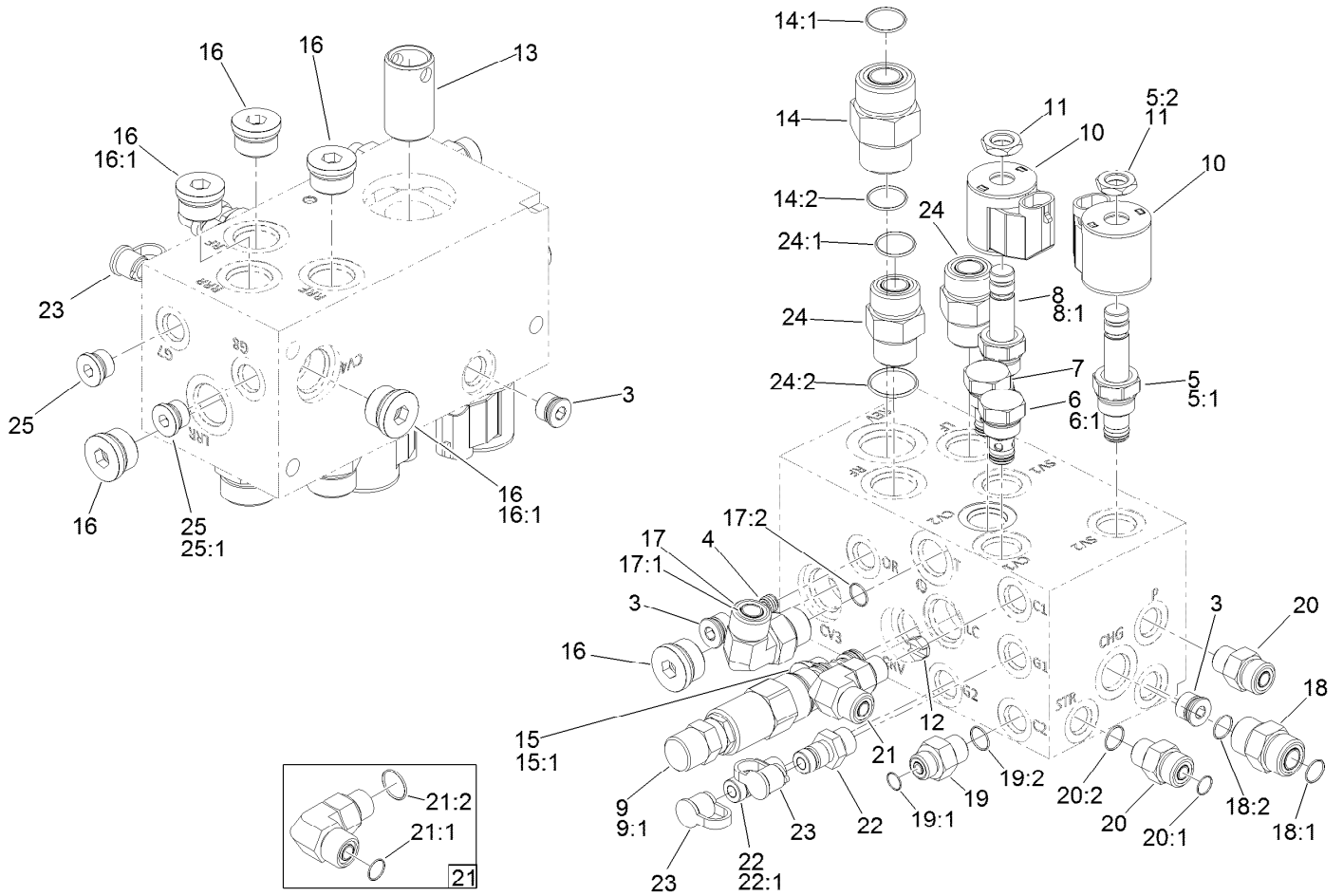
● Not illustrated

■ Not serviced separately



Steering/Lift Manifold No. 138-4488

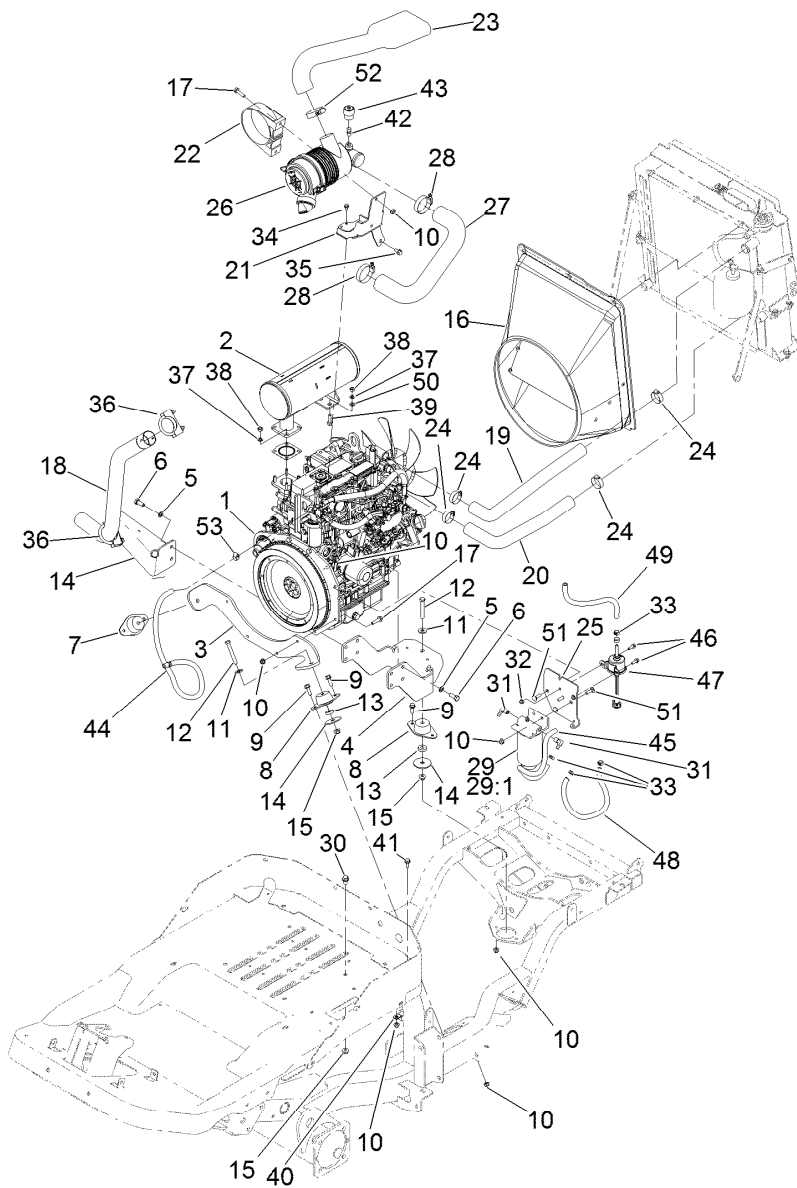
| Ref. | Part Number | Qty. | Description | Ref. | Part Number | Qty. | Description |
|------|-------------|------|-----------------------------------|------|-------------|------|-----------------------|
| 3 | 112-9213 | 3 | Plug | 16 | 353-551 | 6 | Plug-HH |
| 4 | 110-8883 | 1 | Plug-Orifice (0.040) | 16:1 | 237-80 | 1 | O-Ring |
| 5 | 112-9206 | 1 | Solenoid Valve ASM | 17 | 340-98 | 1 | Fitting-Elbow, 90 DEG |
| 5:1 | 105-9156 | 1 | Seal Kit | 17:1 | 237-79 | 1 | O-Ring |
| 5:2 | 110-2634 | 1 | Nut-Coil | 17:2 | 237-30 | 1 | O-Ring |
| 6 | 114-2873 | 1 | Check Valve ASM | 18 | 340-4 | 1 | Fitting-Straight |
| 6:1 | 105-9156 | 1 | Seal Kit | 18:1 | 237-30 | 1 | O-Ring |
| 7 | 139-1213 | 1 | Valve-Check | 18:2 | 237-79 | 1 | O-Ring |
| 8 | 120-6562 | 1 | Valve-Solenoid | 19 | 340-1 | 1 | Fitting-Straight |
| 8:1 | 105-9156 | 1 | Seal Kit | 19:1 | 237-21 | 1 | O-Ring |
| 9 | 144-0501 | 1 | Valve-Logic, 220 PSI (Adjustable) | 19:2 | 237-42 | 1 | O-Ring |
| 10 | 110-0497 | 2 | Coil-Solenoid | 20 | 340-2 | 2 | Fitting-Straight |
| 11 | 110-2634 | 2 | Nut-Coil | 20:1 | 237-22 | 1 | O-Ring |
| 12 | 139-6296 | 1 | Orifice-Check 0.100 DIA | 20:2 | 237-42 | 1 | O-Ring |
| 13 | 139-6297 | 1 | Nipple-Filter | 21 | 340-77 | 1 | Fitting-Elbow, 90 DEG |
| 14 | 340-9 | 1 | Fitting-STR | 21:1 | 237-22 | 1 | O-Ring |
| 14:1 | 237-58 | 1 | O-Ring | 21:2 | 237-42 | 1 | O-Ring |
| 14:2 | 237-81 | 1 | O-Ring | 22 | 59-7410 | 2 | Fitting-Diagnostic |
| 15 | 353-988 | 1 | Plug-Hex | 22:1 | 237-42 | 1 | O-Ring |
| 15:1 | 237-79 | 1 | O-Ring | 23 | 354-79 | 2 | Cap-Dust |
| | | | | 24 | 340-7 | 2 | Fitting-Straight |



Steering/Lift Manifold No. 138-4488 (continued)

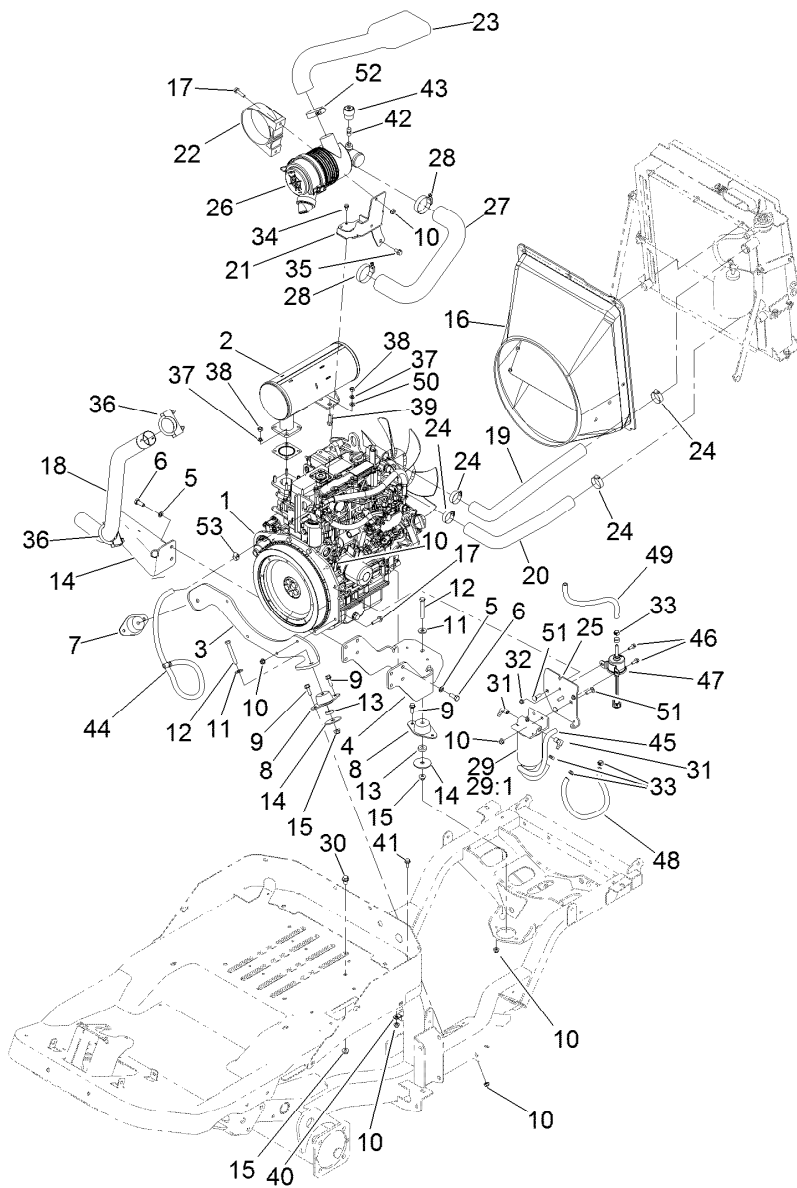
| <i>Ref.</i> | <i>Part Number</i> | <i>Qty.</i> | <i>Description</i> |
|-------------|--------------------|-------------|--------------------|
| 24:1 | 237-65 | 1 | O-Ring |
| 24:2 | 237-80 | 1 | O-Ring |

| <i>Ref.</i> | <i>Part Number</i> | <i>Qty.</i> | <i>Description</i> |
|-------------|--------------------|-------------|--------------------|
| 25 | 353-989 | 2 | Plug-Hex, Hollow |
| 25:1 | 237-42 | 1 | O-Ring |



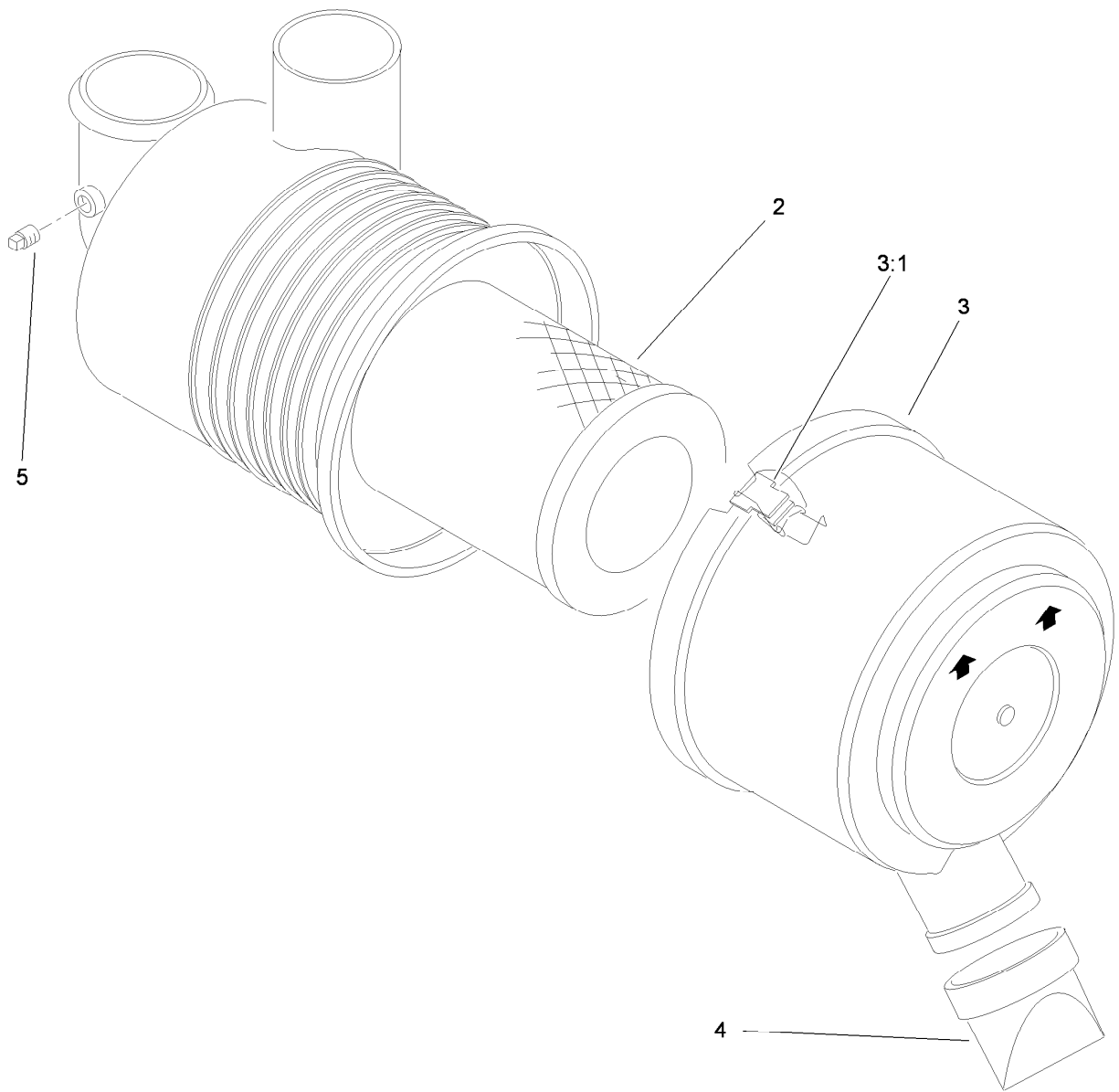
Engine, Air Cleaner and Exhaust Assembly

| Ref. | Part Number | Qty. | Description | Ref. | Part Number | Qty. | Description |
|------|-------------|------|-------------------------------------|------|-------------|------|----------------------------------|
| 1 | 139-6182 | 1 | Engine-Yanmar 3Tnv80F-Nxdtr | 19 | 138-4493 | 1 | Hose-Radiator, Upper |
| 2 | 139-6269 | 1 | Muffler ASM | 20 | 138-4494 | 1 | Hose-Radiator, Lower |
| 3 | 138-4464-0P | 1 | Mount-Engine, Front [primed] | 21 | 138-4486-0P | 1 | Bracket-Air Cleaner [primed] |
| 4 | 138-0424-0P | 1 | Mount-Engine, Rear 24HP [primed] | 22 | 95-5806 | 1 | Bracket-Mounting, Air Cleaner |
| 5 | 48-9590 | 8 | Washer-Lock | 23 | 138-4460 | 1 | Hose-Intake, Air Cleaner |
| 6 | 33115-025 | 8 | Screw-HH | 24 | 2412-34 | 4 | Clamp-Hose |
| 7 | 139-0856 | 1 | Mount-Engine | 25 | 138-4472-0P | 1 | Angle-Filter Mount |
| 8 | 125-5244 | 2 | Mount-Engine | 26 | 93-2190 | 1 | Air Cleaner ASM |
| 9 | 3234-29 | 5 | Screw-HHF | 27 | 137-5881 | 1 | Hose-Intake |
| 10 | 104-8300 | 16 | Nut-HF, NI | 28 | 2412-92 | 2 | Clamp-Hose |
| 11 | 80-6990 | 3 | Washer-Hardened | 29 | 110-9044 | 1 | Separator-Filter |
| 12 | 323-14 | 3 | Screw-HH | 29:1 | 110-9049 | 1 | Filter-Spin On, Fuel/Water |
| 13 | 138-6462 | 3 | Support-Isolator | 30 | 3234-9 | 1 | Screw-HHF |
| 14 | 144-0515-03 | 1 | Support-Tailpipe | 31 | 353-781 | 2 | Fitting-HYD, 90 |
| 15 | 104-8301 | 4 | Nut-HF, NI | 32 | 104-7201 | 2 | Nut-HF, NI |
| 16 | 139-6279 | 1 | Shroud - Fan ASM | 33 | 92-2379 | 5 | Clamp-Hose |
| 17 | 3234-36 | 6 | Screw-HHF | 34 | 33103-016 | 3 | Screw-HHF |
| 18 | 144-0570 | 1 | Pipe-Exhaust | 35 | 33104-016 | 1 | Screw-HHF |
| | | | | 36 | 18-2130 | 2 | Clamp |
| | | | | 37 | 3253-4 | 6 | Washer-Lock |



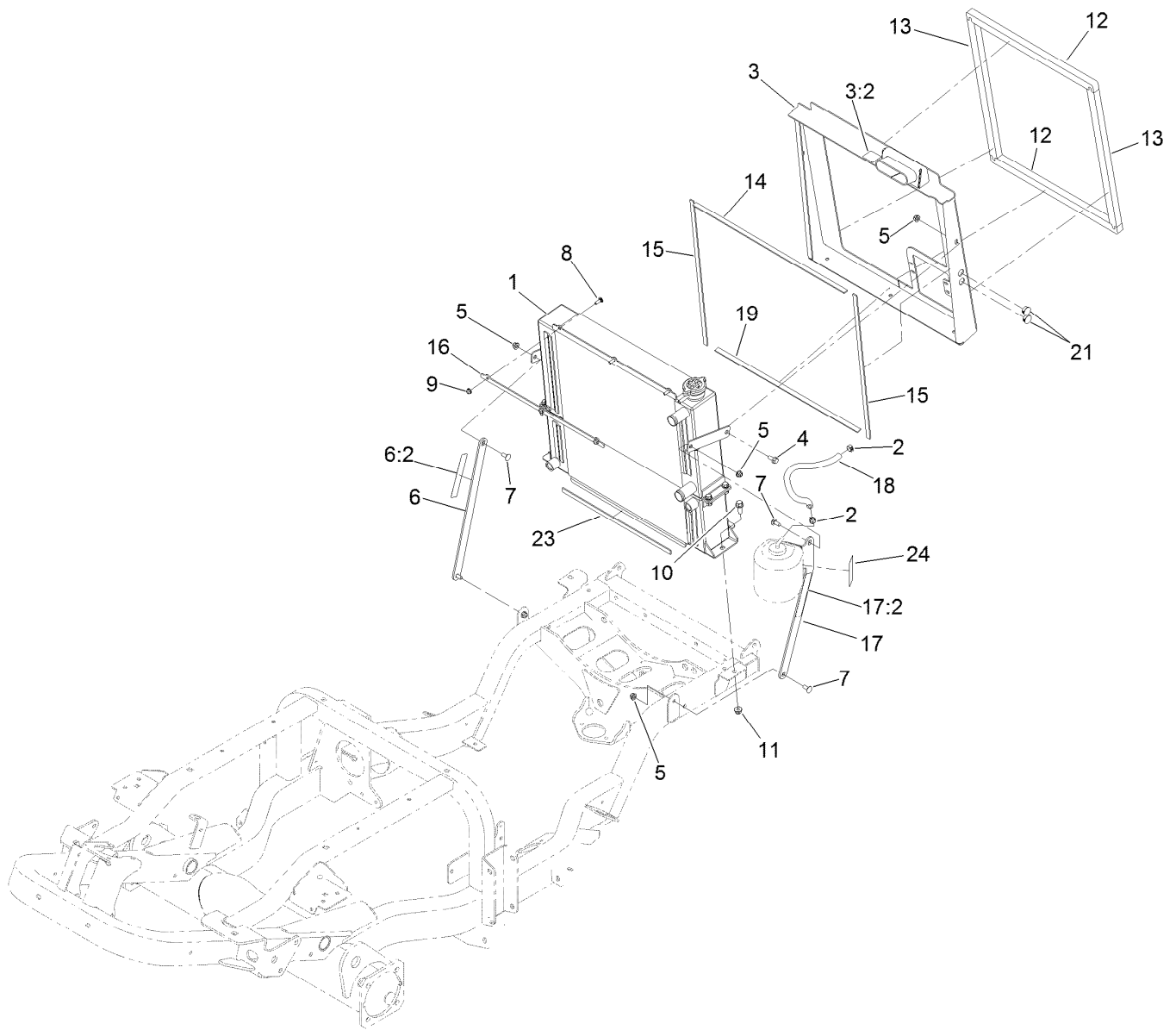
Engine, Air Cleaner and Exhaust Assembly (continued)

| <i>Ref.</i> | <i>Part Number</i> | <i>Qty.</i> | <i>Description</i> | <i>Ref.</i> | <i>Part Number</i> | <i>Qty.</i> | <i>Description</i> |
|-------------|--------------------|-------------|--------------------------------|-------------|--------------------|-------------|---------------------|
| 38 | 33014-00 | 6 | Nut-Hex | 46 | 3234-4 | 2 | Screw-HHF |
| 39 | 33104-030 | 2 | Screw-HHF | 47 | 121-5613 | 1 | Pump-Fuel, Electric |
| 40 | 120-1959 | 1 | Clamp | 48 | 110-4101 | 1 | Hose-Fuel |
| 41 | 3234-47 | 1 | Screw-HHF | 49 | 110-4104 | 1 | Hose-Fuel |
| 42 | 94-1416 | 1 | Adapter-Indicator | 50 | 88-7200 | 2 | Washer-Flat |
| 43 | 93-9164 | 1 | Indicator-Mini | 51 | 3230-2 | 4 | Bolt-CARR |
| 44 | 132-7563 | 1 | Hose-Breather, Transmission | 52 | 2412-130 | 1 | Clamp-Hose |
| 45 | 110-4112 | 1 | Hose-Fuel | 53 | 2412-108 | 1 | Clamp-Worm |



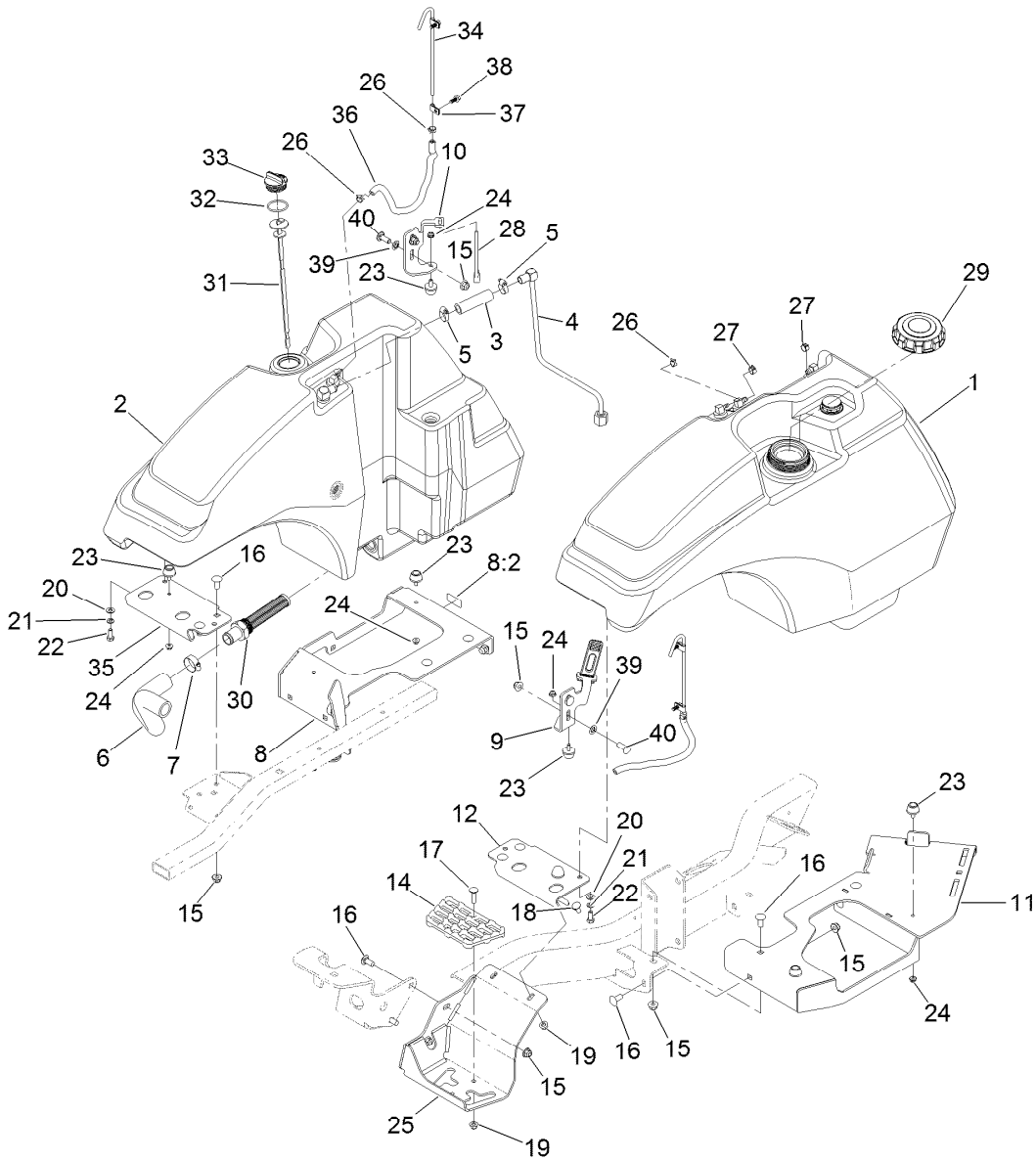
Air Cleaner Assembly No. 93-2190

| <i>Ref.</i> | <i>Part Number</i> | <i>Qty.</i> | <i>Description</i> |
|-------------|--------------------|-------------|--------------------|
| 2 | 108-3811 | 1 | Filter-Air |
| 3 | 94-3652 | 1 | Cover ASM |
| 3:1 | 1-643283 | 2 | Latch-Cleaner, Air |
| 4 | 87-9400 | 1 | Valve-Vacuator |
| 5 | 285-17 | 1 | Plug-Pipe |



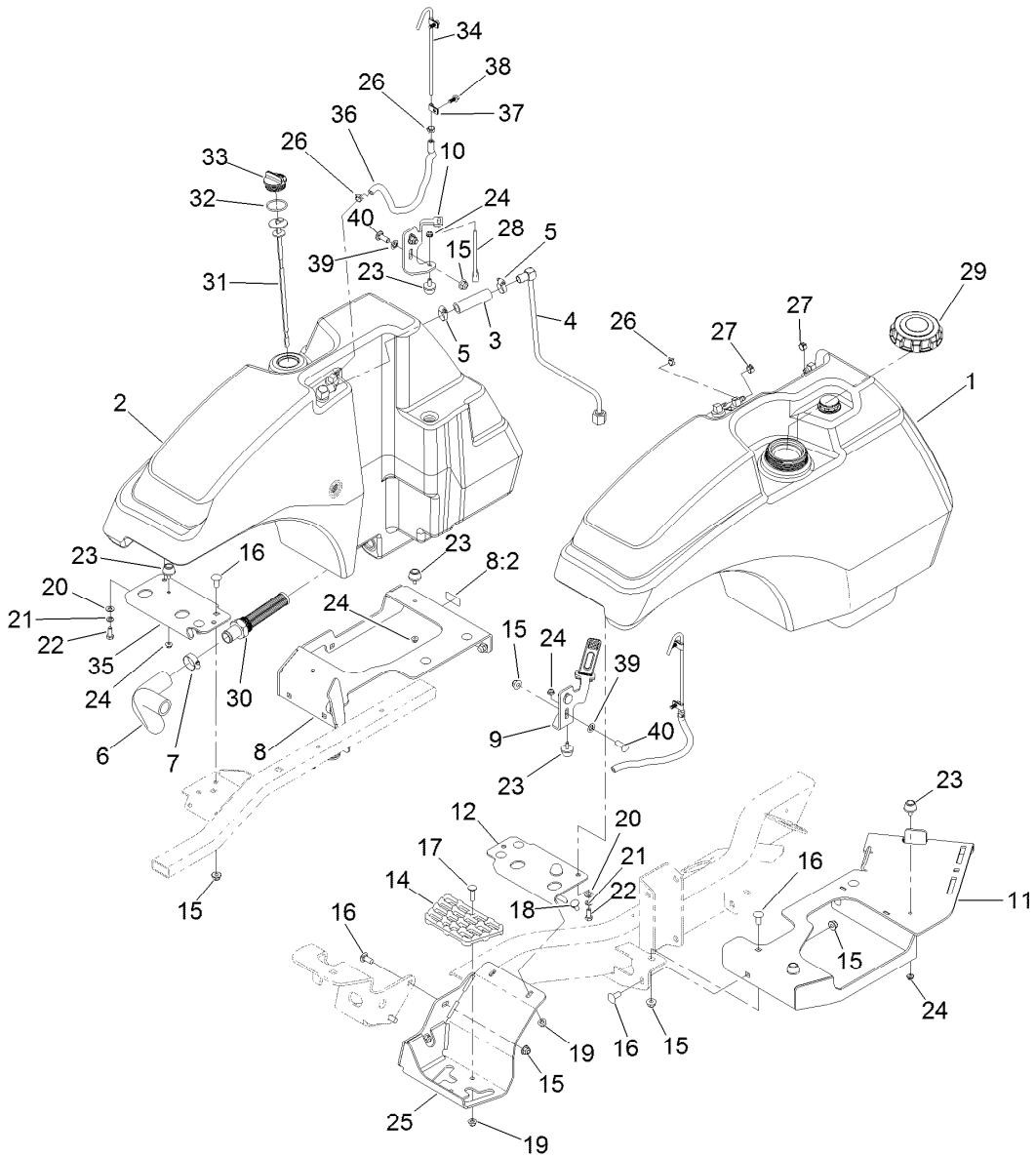
Radiator and Cooler Assembly

| <i>Ref.</i> | <i>Part Number</i> | <i>Qty.</i> | <i>Description</i> | <i>Ref.</i> | <i>Part Number</i> | <i>Qty.</i> | <i>Description</i> |
|-------------|--------------------|-------------|-------------------------|-------------|--------------------|-------------|-------------------------|
| 1 | 138-7420 | 1 | Radiator/Oil Cooler ASM | 12 | 138-4410 | 2 | Seal-Foam |
| 2 | 92-2379 | 2 | Clamp-Hose | 13 | 138-4411 | 2 | Seal-Foam |
| 3 | 139-6232 | 1 | Shroud-Cooler ASM | 14 | 138-4453 | 1 | Foam-Radiator |
| 3:2 | 115-8155 | 1 | Decal-Warning | 15 | 138-4454 | 2 | Foam-Radiator, Side |
| 4 | 3234-47 | 2 | Screw-HHF | 16 | 138-4461-0P | 1 | Bracket-Shroud Retainer |
| 5 | 104-8300 | 11 | Nut-HF, NI | 17 | 139-6230 | 1 | Bracket-Bottle Mount |
| 6 | 139-6229 | 1 | Strap-Cooler | 17:2 | 93-7272 | 1 | Decal-Warning |
| 6:2 | 93-7272 | 1 | Decal-Warning | 18 | 106-1126 | 1 | Hose-Fuel |
| 7 | 3230-23 | 9 | Bolt-CARR | 19 | 108-1393 | 1 | Strip-Foam |
| 8 | 1-807512 | 3 | Bolt-CARR | 21 | 130-8439 | 2 | Plug-Dome |
| 9 | 104-7201 | 3 | Nut-HF, NI | 23 | 130-9182 | 1 | Foam-Radiator, Short |
| 10 | 3234-42 | 2 | Screw-HHF | 24 | 144-0472 | 1 | Decal-Coolant Level |
| 11 | 104-8301 | 2 | Nut-HF, NI | | | | |



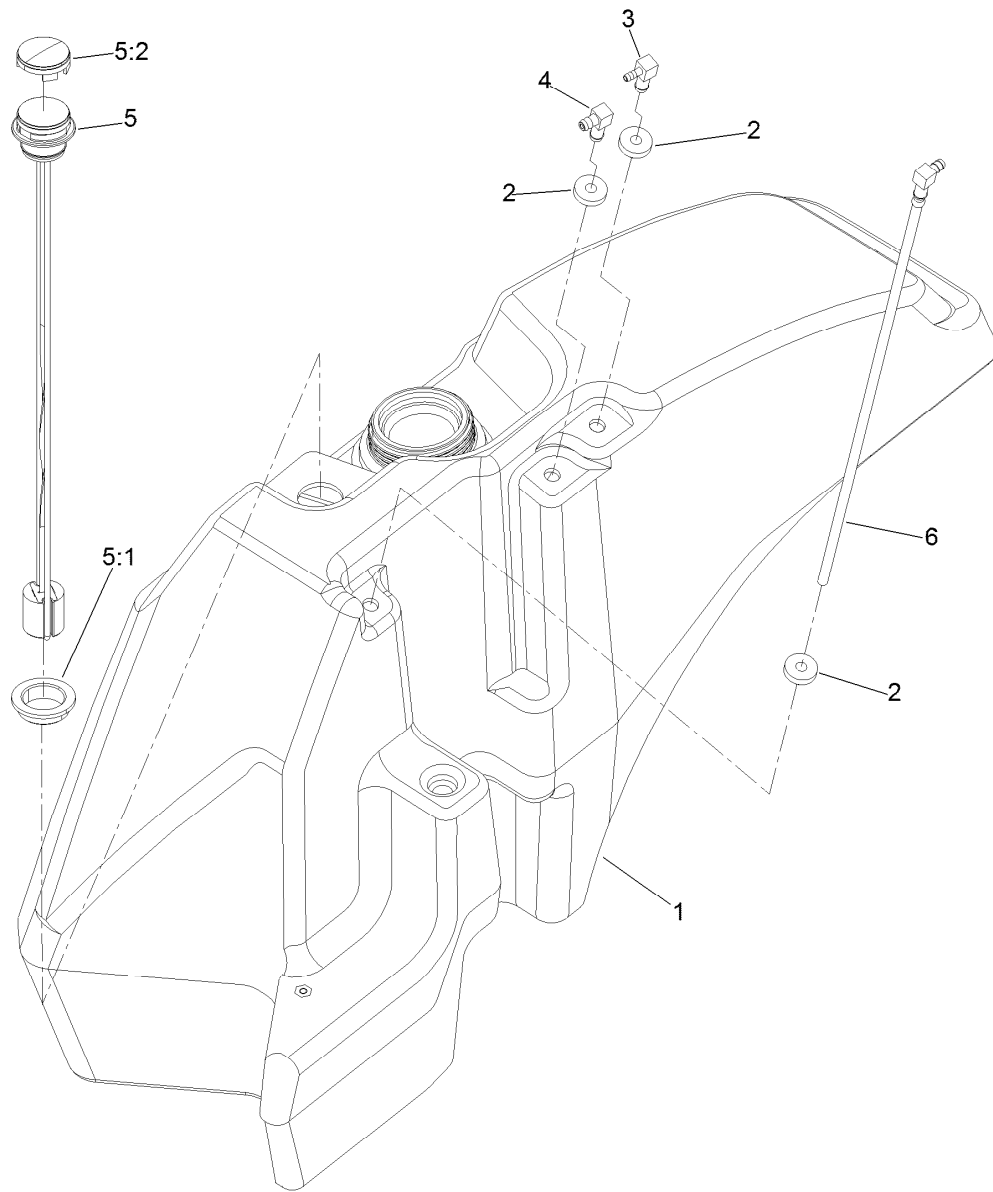
Fuel and Hydraulic Tank Assembly

| Ref. | Part Number | Qty. | Description | Ref. | Part Number | Qty. | Description |
|------|-------------|------|------------------------------|------|-------------|------|------------------------------|
| 1 | 138-0291 | 1 | Fuel Tank | 19 | 104-8300 | 3 | Nut-HF, NI |
| 2 | 138-4418 | 1 | Hydraulics Tank ASM | 20 | 3256-23 | 2 | Washer-Plain |
| 3 | 114-4920 | 1 | Hose | 21 | 3253-4 | 2 | Washer-Lock |
| 4 | 138-7392 | 1 | Hydraulic Tube ASM | 22 | 322-3 | 2 | Screw-HH |
| 5 | 2412-119 | 2 | Clamp-Hose, Worm Drive | 23 | 109-2365 | 8 | Bumper-Rubber |
| 6 | 138-7361 | 1 | Hose-Suction | 24 | 104-7201 | 8 | Nut-HF, NI |
| 7 | 2412-34 | 1 | Clamp-Hose | 25 | 139-0927-01 | 1 | Bracket-Mount, Step |
| 8 | 139-6228 | 1 | Tank Support-Hydraulic | 26 | 2412-98 | 4 | Clamp-Hose |
| 8:2 | 127-0392 | 1 | Decal-Hot Surface | 27 | 92-2379 | 2 | Clamp-Hose |
| 9 | 138-0441-03 | 1 | Bracket-Tank Hold Down, LH | 28 | 131-8402 | 2 | Strap-Down, Hold |
| 10 | 138-7315-03 | 1 | Bracket-Tank Hold Down, RH | 29 | 125-9171 | 1 | Cap-Fuel |
| 11 | 138-4404-03 | 1 | Tray-Tank/Battery | 30 | 138-7499 | 1 | Fitting-Strainer |
| 12 | 138-7365-03 | 1 | Bracket-Tank Mount, Front LH | 31 | 138-7388 | 1 | Dipstick |
| 14 | 126-4781 | 1 | Step-Deck | 32 | 94-8166 | 1 | O-Ring |
| 15 | 104-8301 | 19 | Nut-HF, NI | 33 | 93-7498 | 1 | Plug-Plastic |
| 16 | 3231-27 | 15 | Screw-CARR | 34 | 139-6252 | 2 | Tube-Vent |
| 17 | 3230-3 | 1 | Screw-CARR | 35 | 139-0940-03 | 1 | Bracket-Tank Mount, Front RH |
| 18 | 3230-23 | 2 | Bolt-CARR | 36 | 139-6253 | 2 | Hose-Fuel |
| | | | | 37 | 2412-72 | 4 | Clip-Closed, Insulated |
| | | | | 38 | 99-6810 | 4 | Screw-HHF |



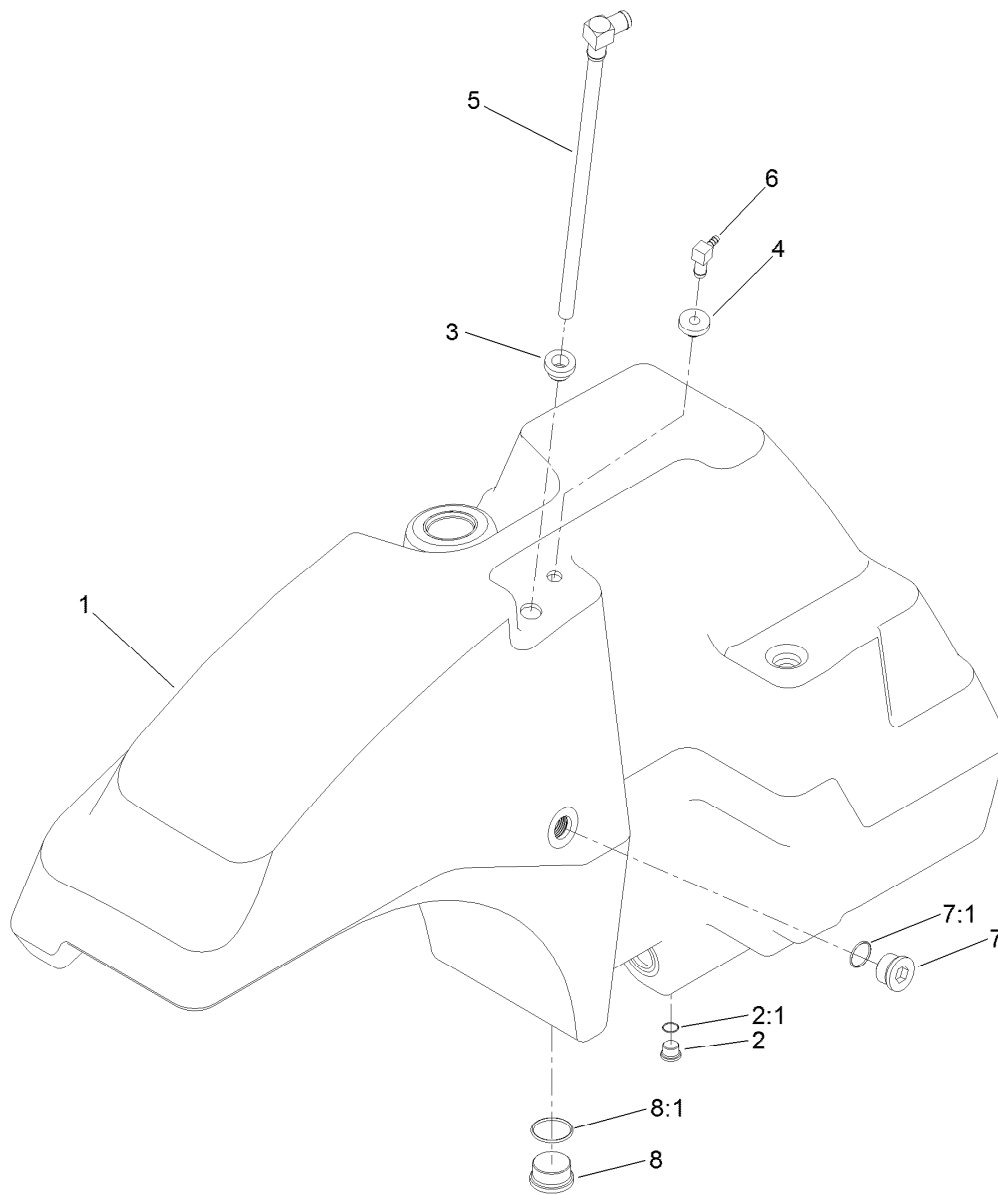
Fuel and Hydraulic Tank Assembly (continued)

| <i>Ref.</i> | <i>Part Number</i> | <i>Qty.</i> | <i>Description</i> |
|-------------|--------------------|-------------|--------------------|
| 39 | 107-3154 | 6 | Nut-Push |
| 40 | 3231-22 | 4 | Screw-CARR |



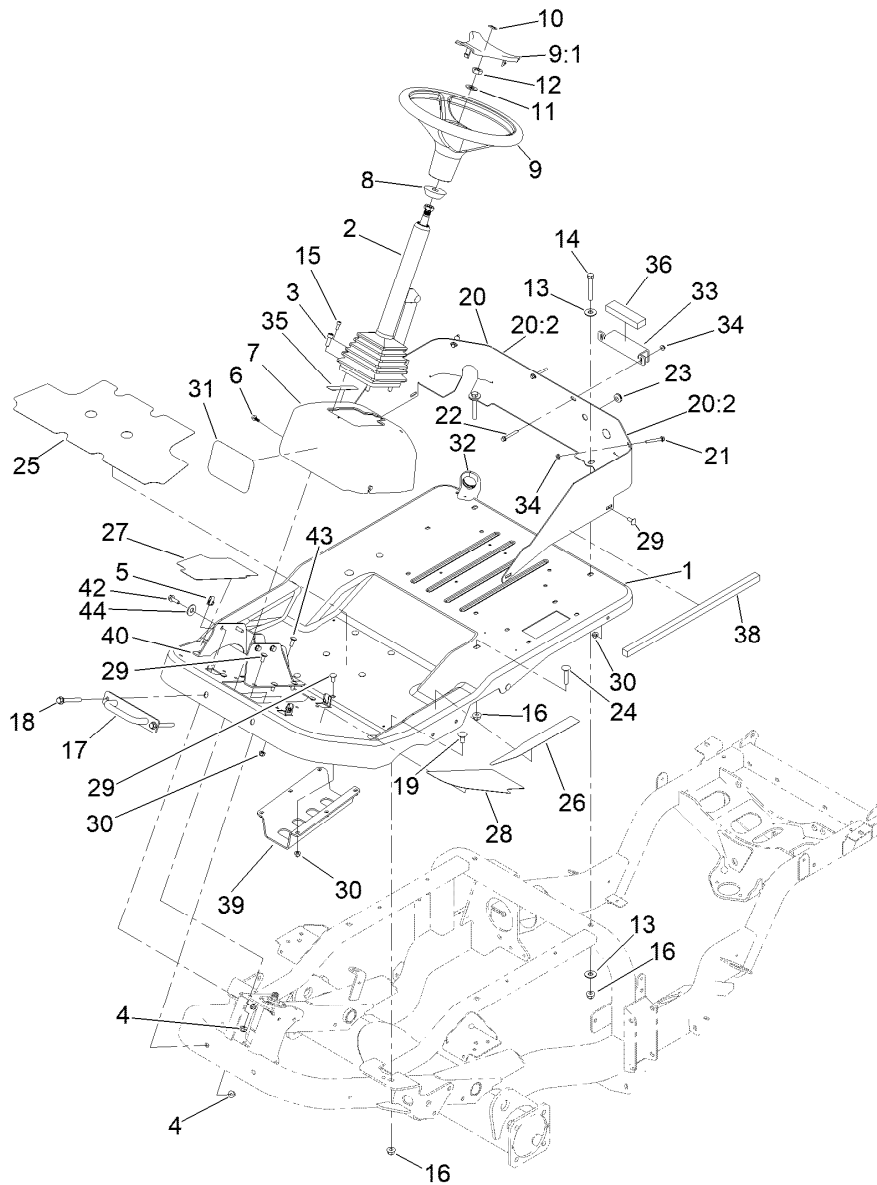
Fuel Tank Assembly No. 138-0291

| <i>Ref.</i> | <i>Part Number</i> | <i>Qty.</i> | <i>Description</i> |
|-------------|--------------------|-------------|-------------------------|
| 1 | 138-7385 | 1 | Fuel Tank W/Inserts ASM |
| 2 | 46-6560 | 3 | Bushing |
| 3 | 104-5228 | 1 | Fitting-Elbow, 90 DEG |
| 4 | 46-6550 | 1 | Fitting-Elbow, 90 DEG |
| 5 | 139-0872 | 1 | Gauge-Fuel |
| 5:1 | 119-0508 | 1 | Seal |
| 5:2 | 117-8404 | 1 | Dial-Gauge |
| 6 | 138-7389 | 1 | Pipe-Stand |



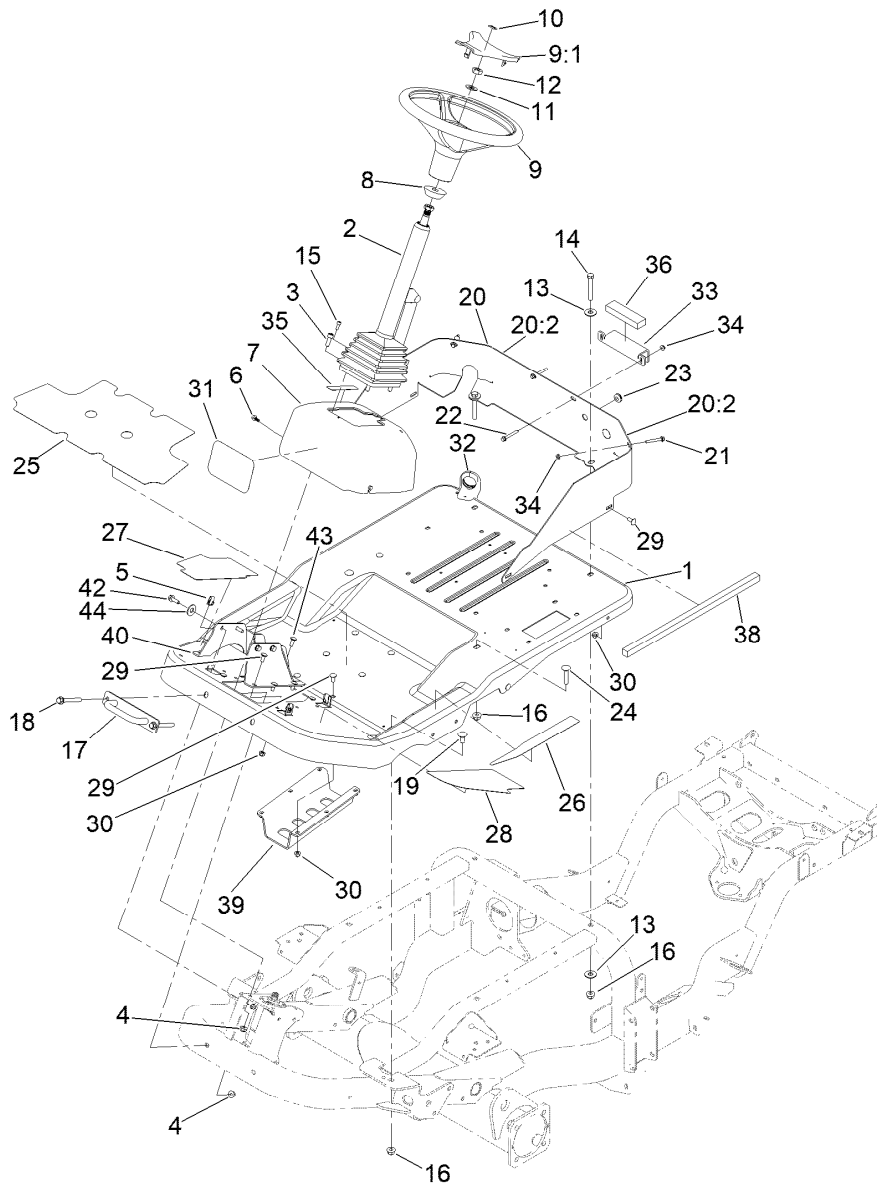
Hydraulic Tank Assembly No. 138-4418

| Ref. | Part Number | Qty. | Description |
|------|-------------|------|--------------------------|
| 1 | 138-7386 | 1 | Tank-Hydraulic W/Inserts |
| 2 | 353-989 | 1 | Plug-Hex, Hollow |
| 2:1 | 237-42 | 1 | O-Ring |
| 3 | 104-0790 | 1 | Bushing |
| 4 | 46-6560 | 1 | Bushing |
| 5 | 138-7384 | 1 | Tube-Drop |
| 6 | 104-5228 | 1 | Fitting-Elbow, 90 DEG |
| 7 | 139-6333 | 1 | Fitting-Plug |
| 7:1 | 237-81 | 1 | O-Ring |
| 8 | 105-3921 | 1 | Fitting-Plug |
| 8:1 | 237-146 | 1 | O-Ring |



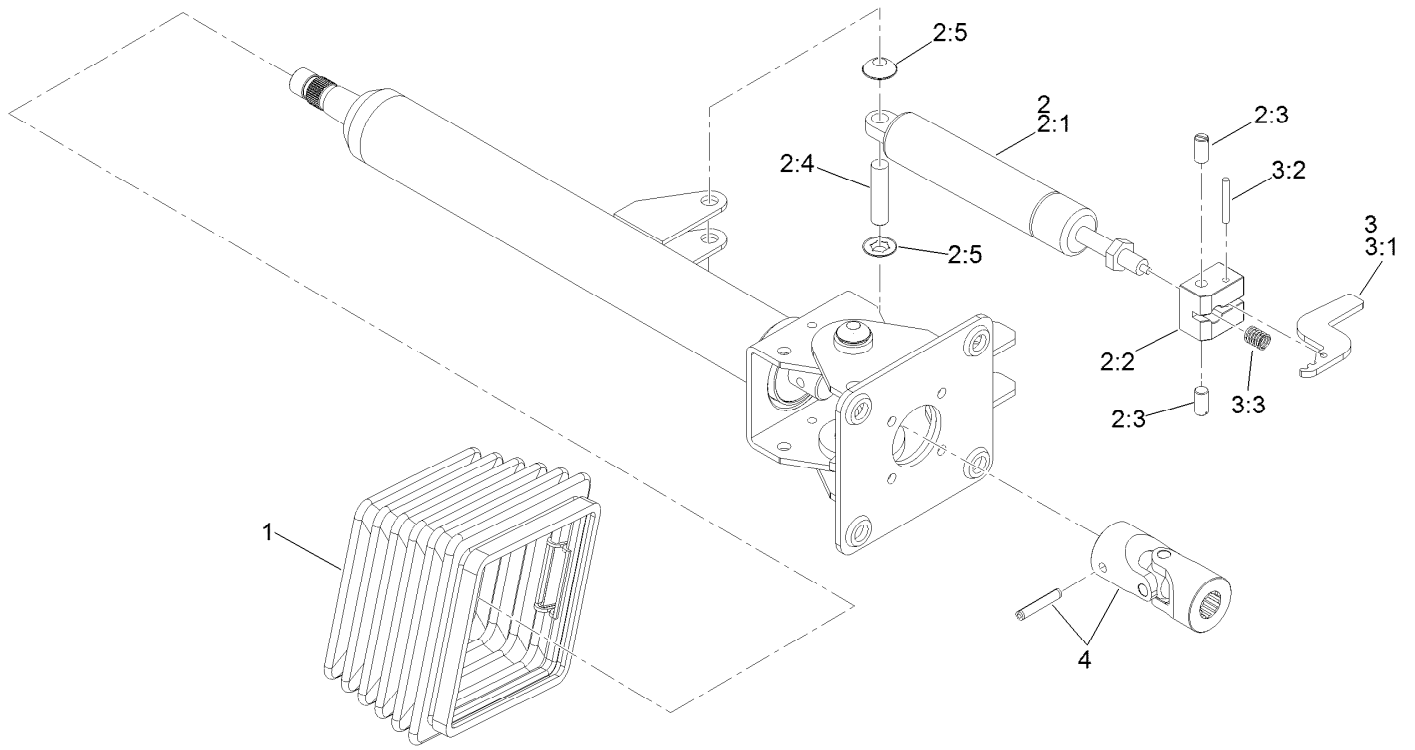
Platform, Steering and Console Assembly

| Ref. | Part Number | Qty. | Description | Ref. | Part Number | Qty. | Description |
|------|-------------|------|-----------------------|------|-------------|------|---------------------------------|
| 1 | 144-4030SP | 1 | Platform-Stamped | 20:2 | 132-1316 | 2 | Decal-Danger, Belt |
| 2 | 139-0857 | 1 | Column-Steering, Tilt | 21 | 125-4287 | 2 | Screw-HHF |
| 3 | 3274-7 | 4 | Screw-HSH | 22 | 3234-34 | 2 | Screw-HHF |
| 4 | 104-8301 | 6 | Nut-HF, NI | 23 | 1-633630 | 1 | Grommet |
| 5 | 107069 | 4 | Clip | 24 | 3232-5 | 2 | Screw-CARR |
| 6 | 99-6810 | 4 | Screw-HHF | 25 | 144-4029 | 1 | Tread-Foot, Main |
| 7 | 138-7494 | 1 | Cover-Steering | 26 | 139-0859 | 1 | Tread-Foot, Side |
| 8 | 93-5429 | 1 | Collar-Foam | 27 | 139-0885 | 1 | Tread-Foot, Front RH |
| 9 | 98-1471 | 1 | Wheel-Steering | 28 | 139-0886 | 1 | Tread-Foot, Front LH |
| 9:1 | 98-1468 | 1 | Cover-Wheel, Steering | 29 | 3230-23 | 15 | Bolt-CARR |
| 10 | 98-1459 | 1 | Decal | 30 | 104-8300 | 22 | Nut-HF, NI |
| 11 | 3256-27 | 1 | Washer-Flat | 31 | 105-1217 | 1 | Decal |
| 12 | 3296-33 | 1 | Nut-Lock, NI | 32 | 144-0473 | 1 | Plug-Harness, Firewall |
| 13 | 3256-40 | 4 | Washer-Flat | 33 | 139-2166-0P | 1 | Bracket-Hood Support |
| 14 | 324-12 | 2 | Screw-HH | 34 | 104-7201 | 4 | Nut-HF, NI |
| 15 | 105-2409 | 4 | Screw-HSH | 35 | 140-1460 | 1 | Decal-Traction Pedal |
| 16 | 114-8417 | 6 | Nut-HF, NI | 36 | 139-6202 | 1 | Foam-Strip |
| 17 | 138-0288 | 1 | Bracket-Down, Tie | 38 | 139-6207 | 1 | Foam-Strip |
| 18 | 3234-41 | 2 | Screw-HHF | 39 | 144-3954-03 | 1 | Guard-Tubes, Hydraulic |
| 19 | 3232-1 | 2 | Screw-CARR | 40 | 145-5983-0P | 1 | Bracket-Steering Mount [primed] |
| 20 | 144-0528 | 1 | Plate-Firewall, Lower | | | | |



Platform, Steering and Console Assembly (continued)

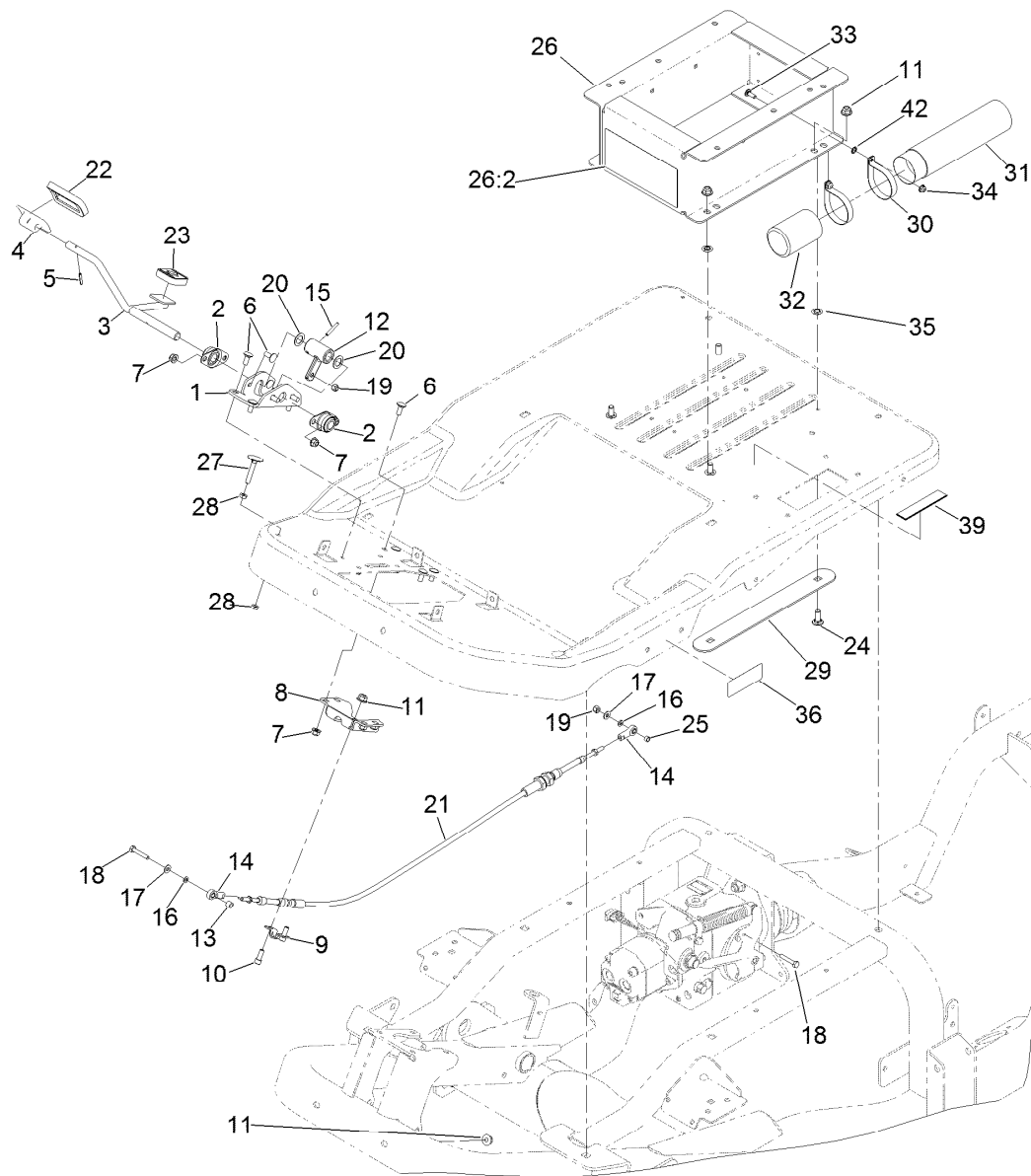
| <i>Ref.</i> | <i>Part Number</i> | <i>Qty.</i> | <i>Description</i> | <i>Ref.</i> | <i>Part Number</i> | <i>Qty.</i> | <i>Description</i> |
|-------------|--------------------|-------------|--------------------|-------------|--------------------|-------------|--------------------|
| 42 | 3234-29 | 4 | Screw-HHF | 43 | 3230-10 | 1 | Bolt-CARR |
| | | | | 44 | 3256-38 | 4 | Washer-Flat |



Steering Column Assembly No. 139-0857

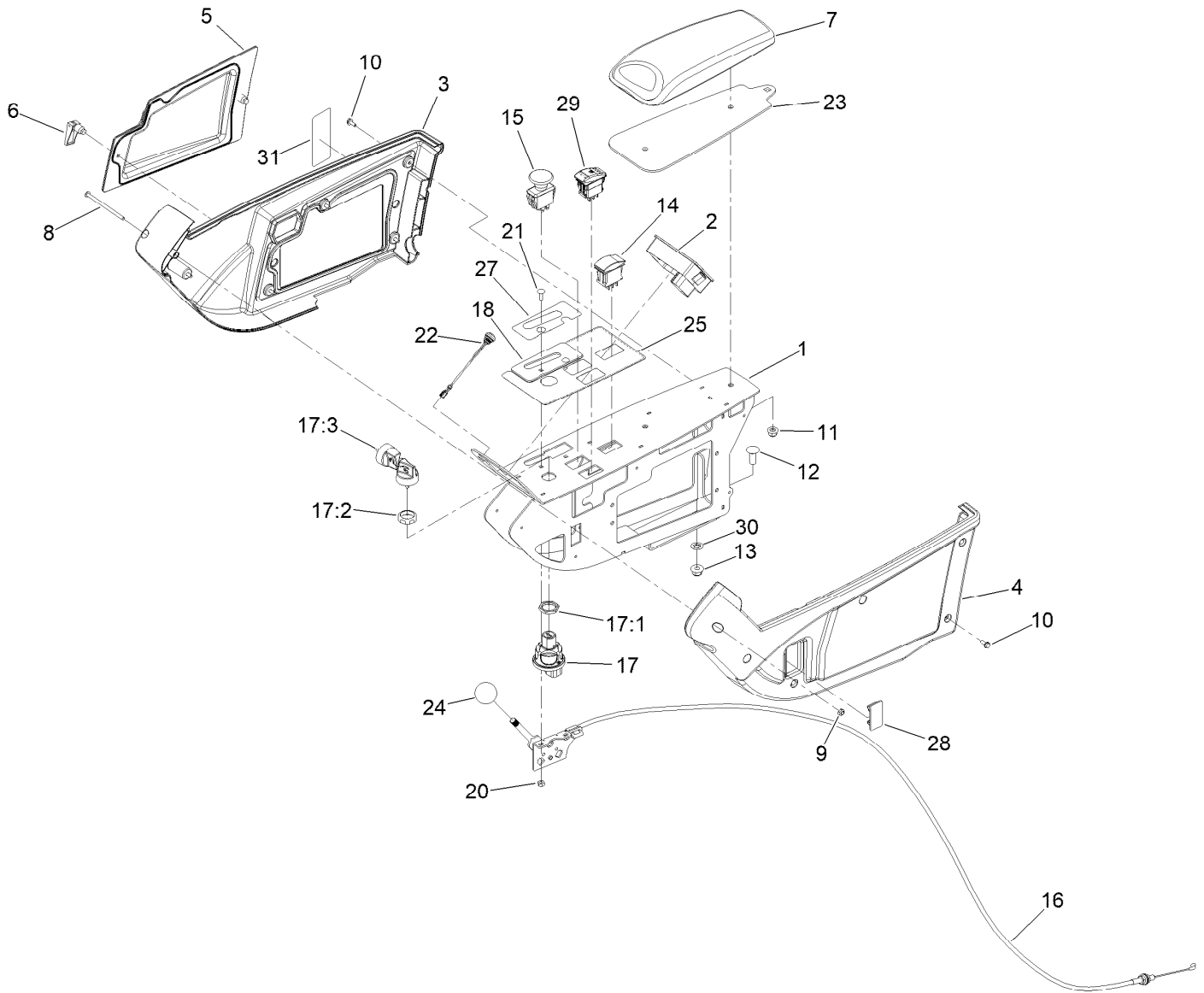
| Ref. | Part Number | Qty. | Description |
|------|-------------|------|----------------------|
| 1 | 110-6462 | 1 | Bellows-Rubber |
| 2 | 110-6463 | 1 | Cylinder Service Kit |
| 2:1 | | 1 | Cylinder-Gas ● |
| 2:2 | | 1 | Block-Pedal ● |
| 2:3 | | 2 | Bolt ● |
| 2:4 | | 1 | Pin ● |
| 2:5 | | 2 | Washer-Lock ● |
| 3 | 136-4385 | 1 | Pedal Service Kit |
| 3:1 | | 1 | Pedal ● |
| 3:2 | | 1 | Pin ● |
| 3:3 | | 1 | Spring ● |
| 4 | 120-6256 | 1 | Universal Joint Kit |

● Not serviced separately



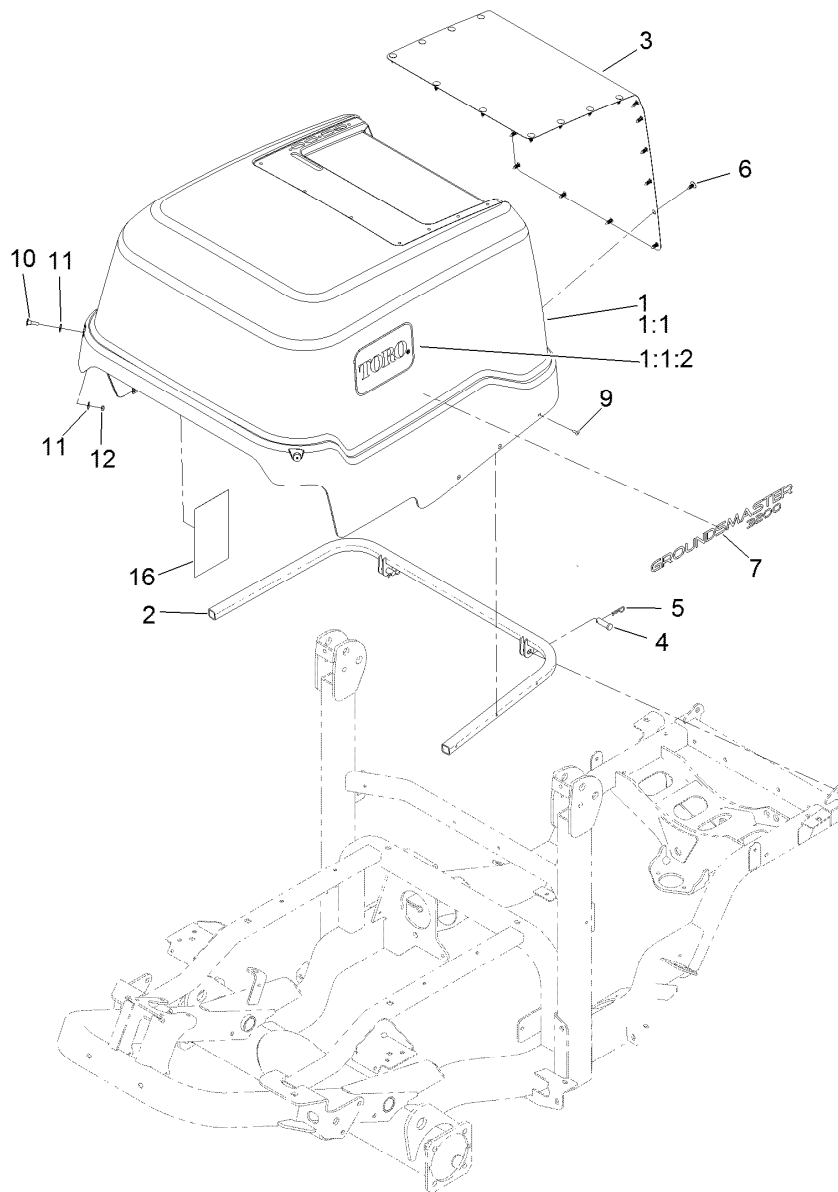
Traction Pedal Assembly

| Ref. | Part Number | Qty. | Description | Ref. | Part Number | Qty. | Description |
|------|-------------|------|-------------------------|------|-------------|------|-----------------------|
| 1 | 138-7477-01 | 1 | Bracket-Pedal, Traction | 21 | 137-2568 | 1 | Traction-Cable |
| 2 | 256-236 | 2 | Bearing-Mount, Flange | 22 | 74-9100 | 1 | Pad-Pedal, Forward |
| 3 | 138-4594 | 1 | Pedal-Traction | 23 | 74-9110 | 1 | Pad-Pedal, Reverse |
| 4 | 117-9507 | 1 | Pedal-Accelerator | 24 | 3231-22 | 4 | Screw-CARR |
| 5 | 32121-45 | 1 | Pin-Spring | 25 | 130-9691 | 1 | Spacer |
| 6 | 3230-23 | 12 | Bolt-CARR | 26 | 139-6221 | 1 | Seat Box ASM |
| 7 | 104-8300 | 12 | Nut-HF, NI | 26:2 | 139-6215 | 1 | Decal-Warning |
| 8 | 138-7446-01 | 1 | Bracket-Cable, Traction | 27 | 115-8240 | 1 | Screw-Elevator |
| 9 | 93-2092 | 1 | Clamp-Cable | 28 | 3218-2 | 2 | Nut-Hex Jam |
| 10 | 3274-10 | 2 | Screw-HSH | 29 | 138-7422-0P | 2 | Strip-Seat Mount |
| 11 | 104-8301 | 6 | Nut-HF, NI | 30 | 107-1865 | 2 | R-Clamp |
| 12 | 117-5199 | 1 | Hub-Pedal, Traction | 31 | 104-7050 | 1 | Tube-Manual |
| 13 | 66-8010 | 1 | Spacer | 32 | 104-7048 | 1 | Cap-Housing |
| 14 | 2411-41 | 2 | Rod End-Ball Joint | 33 | 1-807512 | 2 | Bolt-CARR |
| 15 | 32121-6 | 1 | Pin-Roll, Slotted | 34 | 104-7201 | 2 | Nut-HF, NI |
| 16 | 33093-00 | 2 | Washer-Flat | 35 | 107-3154 | 4 | Nut-Push |
| 17 | 3256-22 | 2 | Washer-Flat | 36 | 106-9206 | 2 | Decal-Torque, Wheel |
| 18 | 321-9 | 2 | Screw-HH | 39 | 133-8062 | 1 | Decal-Arrestor, Spark |
| 19 | 3296-42 | 2 | Nut-Lock, NI | 42 | 32115-15 | 2 | Nut-Push |
| 20 | 137-2601 | 2 | Washer | | | | |



Control Console Assembly

| <i>Ref.</i> | <i>Part Number</i> | <i>Qty.</i> | <i>Description</i> | <i>Ref.</i> | <i>Part Number</i> | <i>Qty.</i> | <i>Description</i> |
|-------------|--------------------|-------------|------------------------------|-------------|--------------------|-------------|----------------------------|
| 1 | 133-6406-03 | 1 | Panel | 17 | 121-5159 | 1 | Switch-Ignition |
| 2 | 132-9751 | 1 | Tdm 2001 | 17:1 | 121-5160 | 1 | Nut-Hex |
| 3 | 108-7605 | 1 | Cover-RH | 17:2 | 122-2704 | 1 | Nut-Face, M22 (Plastic) |
| 4 | 108-7604 | 1 | Cover-LH | 17:3 | 121-5162 | 1 | Set-Key, Ignition |
| 5 | 108-7616 | 1 | Panel-Access | 18 | 137-2510 | 1 | Cover-Throttle, Lever |
| 6 | 74-5950 | 2 | Latch-Swell | 20 | 3296-2 | 2 | Nut-Lock, NI |
| 7 | 131-9637 | 1 | Armrest-Quick Find | 21 | 1-807533 | 2 | Bolt-CARR |
| 8 | 3250-22 | 1 | Screw-PPH | 22 | 136-9678 | 1 | Switch-Pushbutton |
| 9 | 3296-12 | 1 | Nut-Lock, NI | 23 | 138-4548-03 | 1 | Plate-Spacer, Console Pad |
| 10 | 32144-112 | 10 | Screw-HWH | 24 | 1-603175 | 1 | Knob-Ball |
| 11 | 104-8300 | 2 | Nut-HF, NI | 25 | 138-7471 | 1 | Decal-Console |
| 12 | 3231-22 | 2 | Screw-CARR | 27 | 138-7473 | 1 | Decal-Throttle |
| 13 | 104-8301 | 2 | Nut-HF, NI | 28 | 99-7420 | 1 | Plug-Hole |
| 14 | 100-1535 | 1 | Switch-Rocker, (On)-Off-(On) | 29 | 110-0811 | 1 | Switch-Rocker On-None-(On) |
| 15 | 93-9999 | 1 | Switch-PTO | 30 | 107-3154 | 2 | Nut-Push |
| 16 | 138-4549 | 1 | Cable-Throttle | 31 | 140-3125 | 1 | Decal-Fuse |

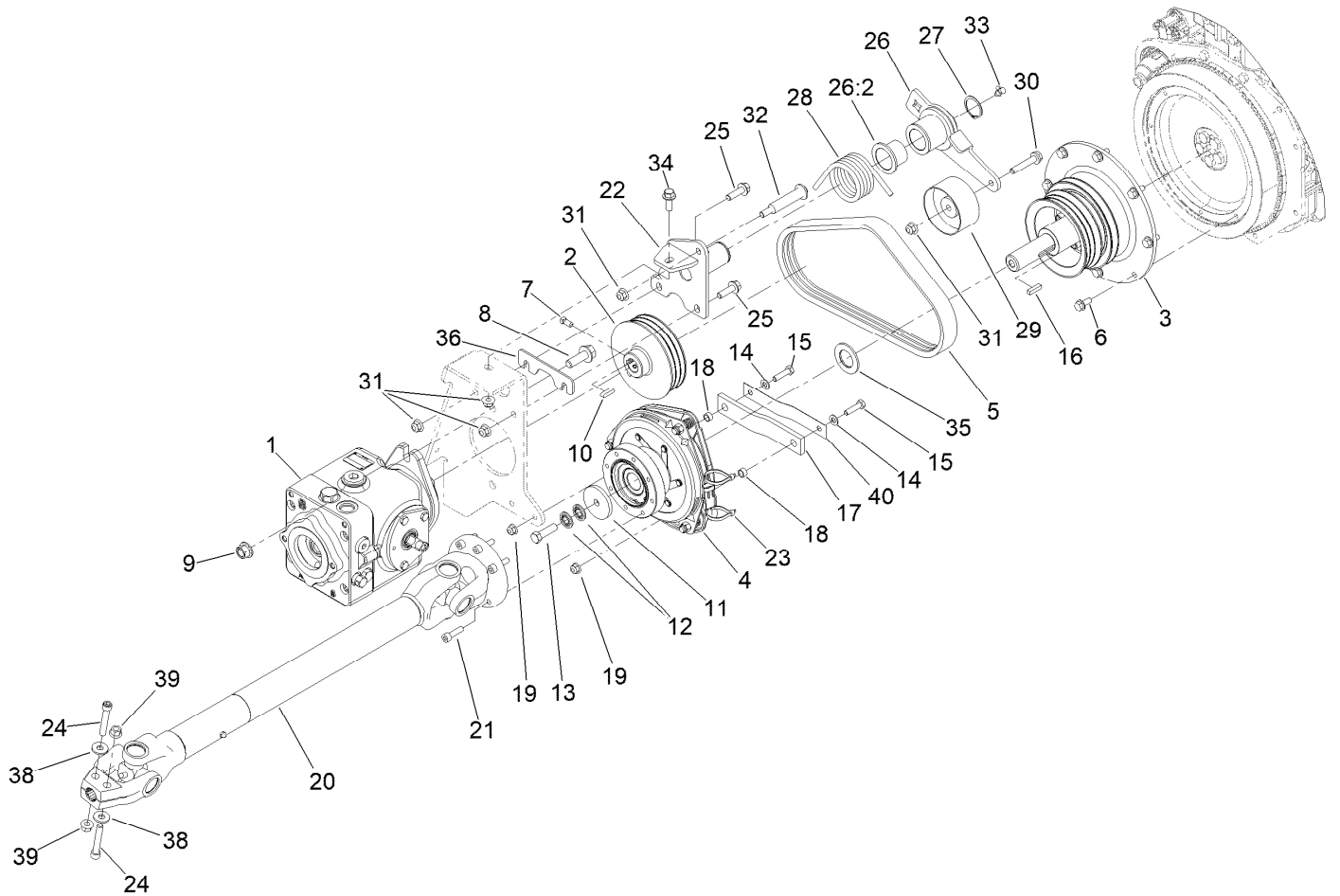


Hood Assembly

| Ref. | Part Number | Qty. | Description | Ref. | Part Number | Qty. | Description |
|-------|-------------|------|-------------------------|------|-------------|------|-------------------------|
| 1 | 138-7330SP | 1 | Hood | 5 | 3290-467 | 2 | Pin-Hair |
| 1:1 | | 1 | Hood ASM ■ | 6 | 117-2382 | 24 | Plug-Plastic |
| 1:1:2 | 62-7400 | 2 | Decal-Toro Logo | 7 | 139-6151 | 2 | Decal-Identification |
| 1:2 | 139-6225 | 1 | Tape-Heat, Hood Front ● | 9 | 114439 | 10 | Rivet-Blind |
| 1:3 | 139-6226 | 1 | Tape-Heat, Hood Rear ● | 10 | 139-0855 | 2 | Screw-Countersunk, Oval |
| 1:4 | 139-6227 | 1 | Tape-Heat, Hood Side ● | 11 | 3256-2 | 4 | Washer-Flat |
| 2 | 138-7331-03 | 1 | Support-Hood | 12 | 3296-56 | 2 | Nut-Lock, NI |
| 3 | 138-7474-03 | 1 | Screen-Cooler | 16 | 144-0518 | 1 | Decal-Service, Gm3200 |
| 4 | 283-68 | 2 | Pin-Clevis | | | | |

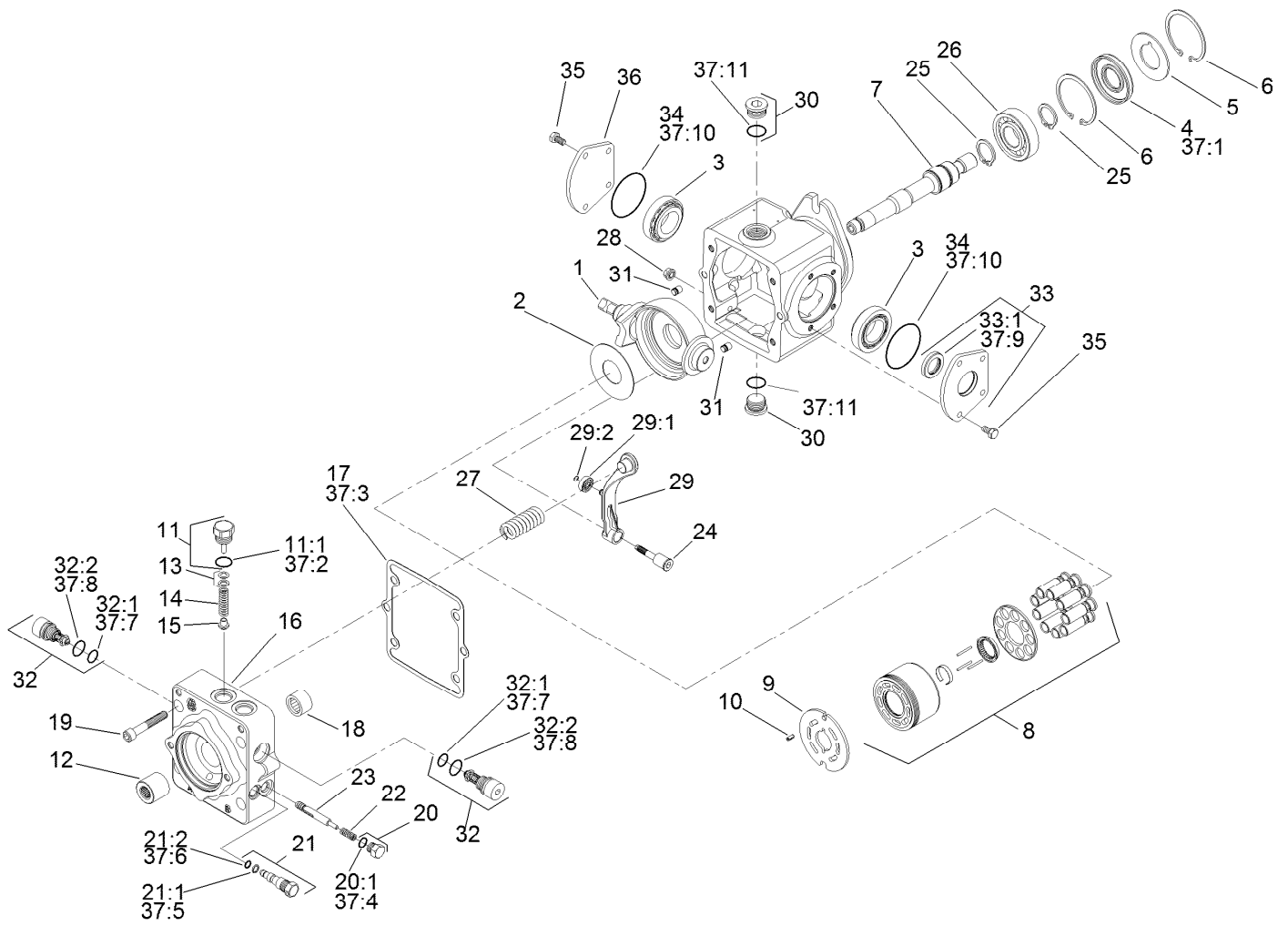
● Not illustrated

■ Not serviced separately



Hydraulic PTO Assembly

| Ref. | Part Number | Qty. | Description | Ref. | Part Number | Qty. | Description |
|------|-------------|------|--------------------------|------|-------------|------|------------------------|
| 1 | 138-0305 | 1 | Variable Piston Pump ASM | 21 | 144-0452 | 6 | Screw-Hex Socket |
| 2 | 139-6257 | 1 | Pulley-3/3V | 22 | 140-3091 | 1 | Idler Pivot ASM |
| 3 | 139-6258 | 1 | Stubshaft-3/3V | 23 | 3290-378 | 2 | Tie-Cable |
| 4 | 144-4013 | 1 | Clutch-Gt5 | 24 | 131-8591 | 2 | Screw-HSH |
| 5 | 139-6259 | 1 | Belt-3/3V | 25 | 119-4061 | 2 | Screw-HHF |
| 6 | 138-0690 | 8 | Screw-HH | 26 | 140-6179 | 1 | Idler Arm ASM |
| 7 | 1-803022 | 2 | Screw-Set | 26:2 | 93-4510 | 2 | Bushing-Caster |
| 8 | 100-6116 | 2 | Screw-HHF | 27 | 32120-84 | 1 | Ring-Snap, External |
| 9 | 99-5107 | 2 | Nut-Lock | 28 | 140-3102 | 1 | Spring-Torsion |
| 10 | 94-3645 | 1 | Key | 29 | 140-3101 | 1 | Pulley-Flat |
| 11 | 139-6238 | 1 | Washer | 30 | 108-3742 | 1 | Screw-HHF |
| 12 | 1-603610 | 2 | Washer-Spring | 31 | 104-8301 | 5 | Nut-HF, NI |
| 13 | 109-9761 | 1 | Screw-HH | 32 | 112-3977 | 1 | Bolt-Shoulder |
| 14 | 3256-23 | 2 | Washer-Plain | 33 | 302-40 | 1 | Fitting-Grease, 90 DEG |
| 15 | 322-6 | 2 | Screw-HH | 34 | 3234-42 | 1 | Screw-HHF |
| 16 | 1-807259 | 1 | Key | 35 | 139-6239 | 1 | Washer |
| 17 | 139-6278 | 1 | Strap-Clutch Stop | 36 | 144-4046 | 1 | Shim-Pivot |
| 18 | 65-9820 | 2 | Spacer | 38 | 80-6990 | 2 | Washer-Hardened |
| 19 | 104-8300 | 3 | Nut-HF, NI | 39 | 32128-36 | 2 | Nut-HF |
| 20 | 144-0521SP | 1 | Driveshaft ASM | 40 | 144-4025 | 1 | Strip-Steel, Spring |

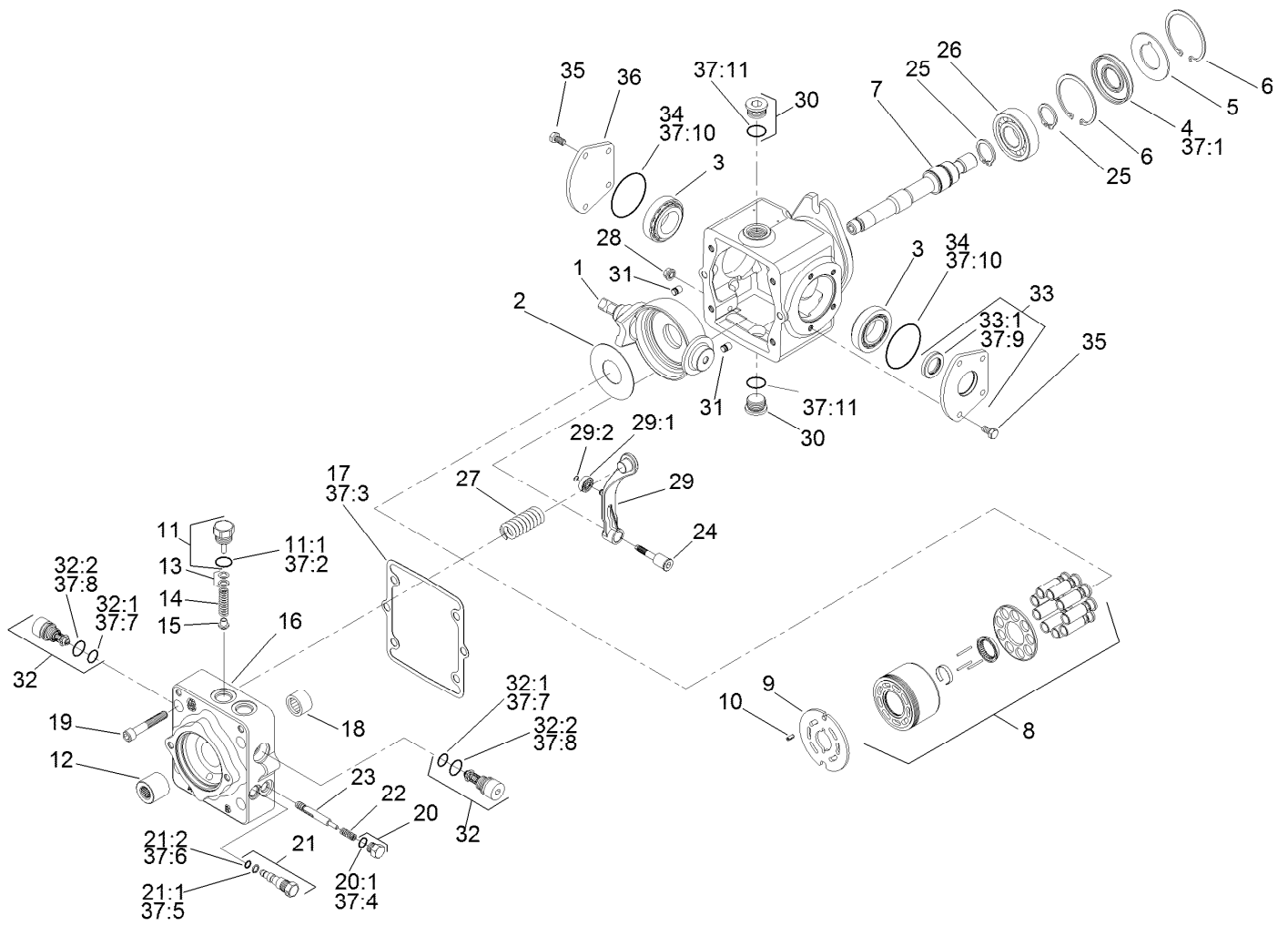


Variable Piston Pump Assembly No. 138-0305

| Ref. | Part Number | Qty. | Description | Ref. | Part Number | Qty. | Description |
|------|-------------|------|------------------------|------|-------------|------|------------------------|
| 1 | 140-3111 | 1 | Plate-Swash | 18 | 75-0500 | 1 | Bearing-Needle |
| 2 | 75-0400 | 1 | Plate-Thrust | 19 | 110-6489 | 4 | Screw |
| 3 | 110-6483 | 2 | Bearing Kit | 20 | 94-9415 | 2 | Plug ASM |
| 4 | 110-6471 | 1 | Seal-Lip | 20:1 | | 1 | O-Ring ■ |
| 5 | 95-4400 | 1 | Washer-Backup | 21 | 107-4364 | 1 | Bypass Valve ASM |
| 6 | 131-8616 | 2 | Ring-Retaining | 21:1 | 25-2630 | 1 | Ring-Back Up |
| 7 | 140-3113 | 1 | Shaft | 21:2 | 110-6498 | 1 | O-Ring |
| 8 | 110-6472 | 1 | Cylinder Block Kit ASM | 22 | 140-3116 | 2 | Spring |
| 9 | 140-3114 | 1 | Plate-Valve, CW | 23 | 110-6492 | 1 | Spool-Loop, Flush |
| 10 | 131-3800 | 1 | Pin-Slotted | 24 | 110-6493 | 1 | Pivot-Return, Neutral |
| 11 | 110-6486 | 1 | Plug-Relief, Charge | 25 | 125-5280 | 2 | Ring-Retaining |
| 11:1 | 28-3570 | 1 | O-Ring | 26 | 75-0460 | 1 | Bearing-Ball |
| 12 | 140-3122 | 1 | Coupling | 27 | 140-3117 | 1 | Spring-Neutral Return |
| 13 | 140-3115 | 1 | Shim Kit | 28 | 110-6496 | 1 | Nut-Seal |
| 14 | 110-6474 | 1 | Spring | 29 | 110-6497 | 1 | Neutral Return Arm ASM |
| 15 | 110-6475 | 1 | Poppet | 29:1 | 110-6494 | 1 | Bearing-Cam |
| 16 | 115-8087 | 1 | Cap-End | 29:2 | 110-3056 | 1 | Ring-Retaining |
| 17 | 110-6476 | 1 | Gasket-Cap, End | 30 | 69-3130 | 2 | Plug |

● Not illustrated

■ Not serviced separately

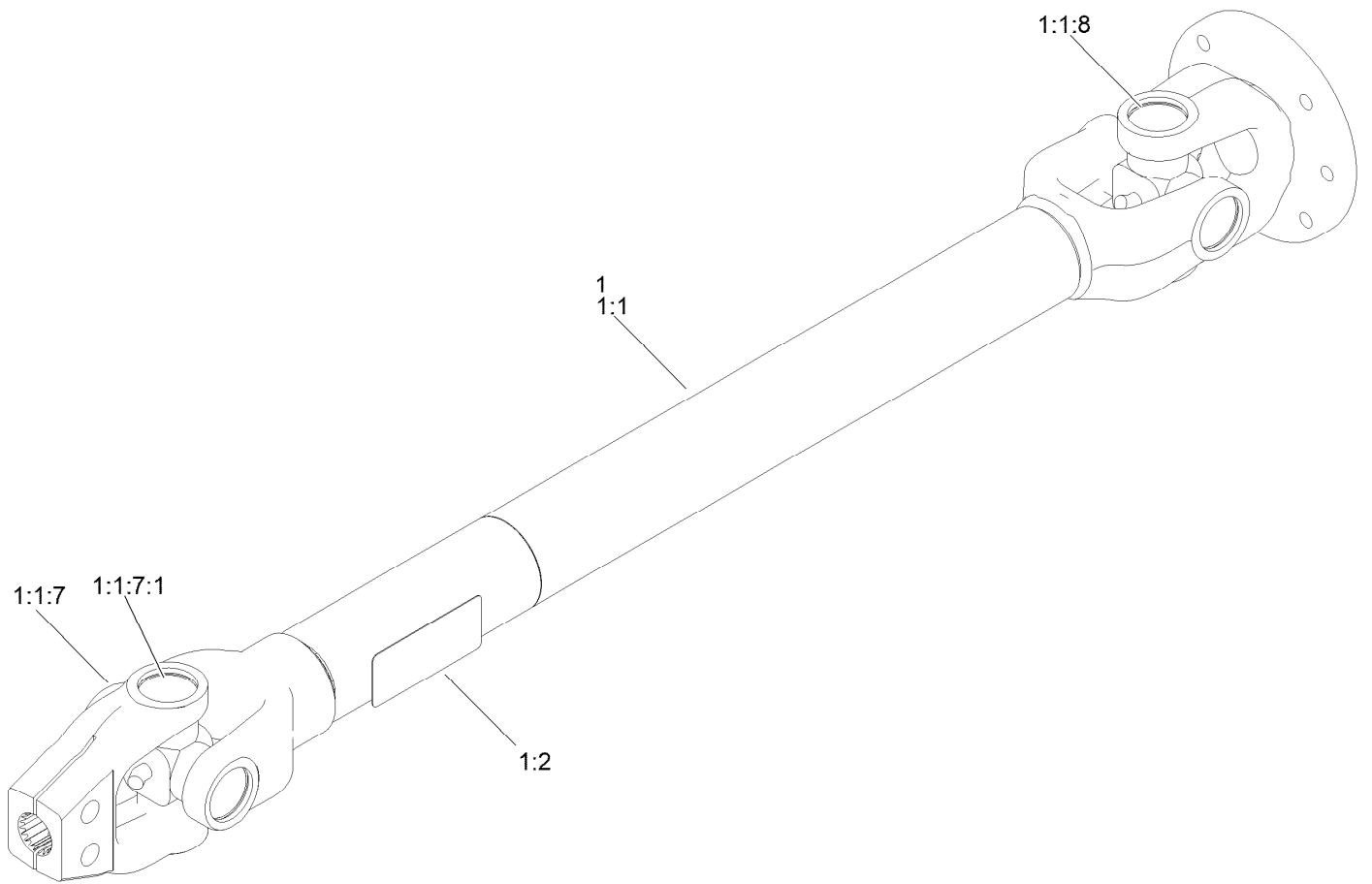


Variable Piston Pump Assembly No. 138-0305 (continued)

| Ref. | Part Number | Qty. | Description | Ref. | Part Number | Qty. | Description |
|------|-------------|------|--------------------|-------|-------------|------|-----------------|
| 31 | 112-0158 | 2 | Pin | 37:2 | 28-3570 | 1 | O-Ring |
| 32 | 110-6477 | 2 | Valve-Relief | 37:3 | 110-6476 | 1 | Gasket-Cap, End |
| 32:1 | 75-0240 | 1 | O-Ring ● | 37:4 | 131-8631 | 2 | O-Ring |
| 32:2 | 84-0560 | 1 | O-Ring ● | 37:5 | 25-2630 | 1 | Ring-Back Up |
| 33 | 110-6499 | 1 | Trunnion Cover ASM | 37:6 | 110-6498 | 1 | O-Ring |
| 33:1 | 110-6478 | 1 | Seal-Lip | 37:7 | 75-0240 | 2 | O-Ring |
| 34 | 84-0430 | 2 | O-Ring | 37:8 | 84-0560 | 2 | O-Ring |
| 35 | 112-0151 | 8 | Screw | 37:9 | 110-6478 | 1 | Seal-Lip |
| 36 | 84-0440 | 1 | Cover-Trunnion | 37:10 | 84-0430 | 2 | O-Ring |
| 37 | 110-6481 | 1 | Seal Kit ● | 37:11 | 131-8614 | 2 | O-Ring |
| 37:1 | 110-6471 | 1 | Seal-Lip | | | | |

● Not illustrated

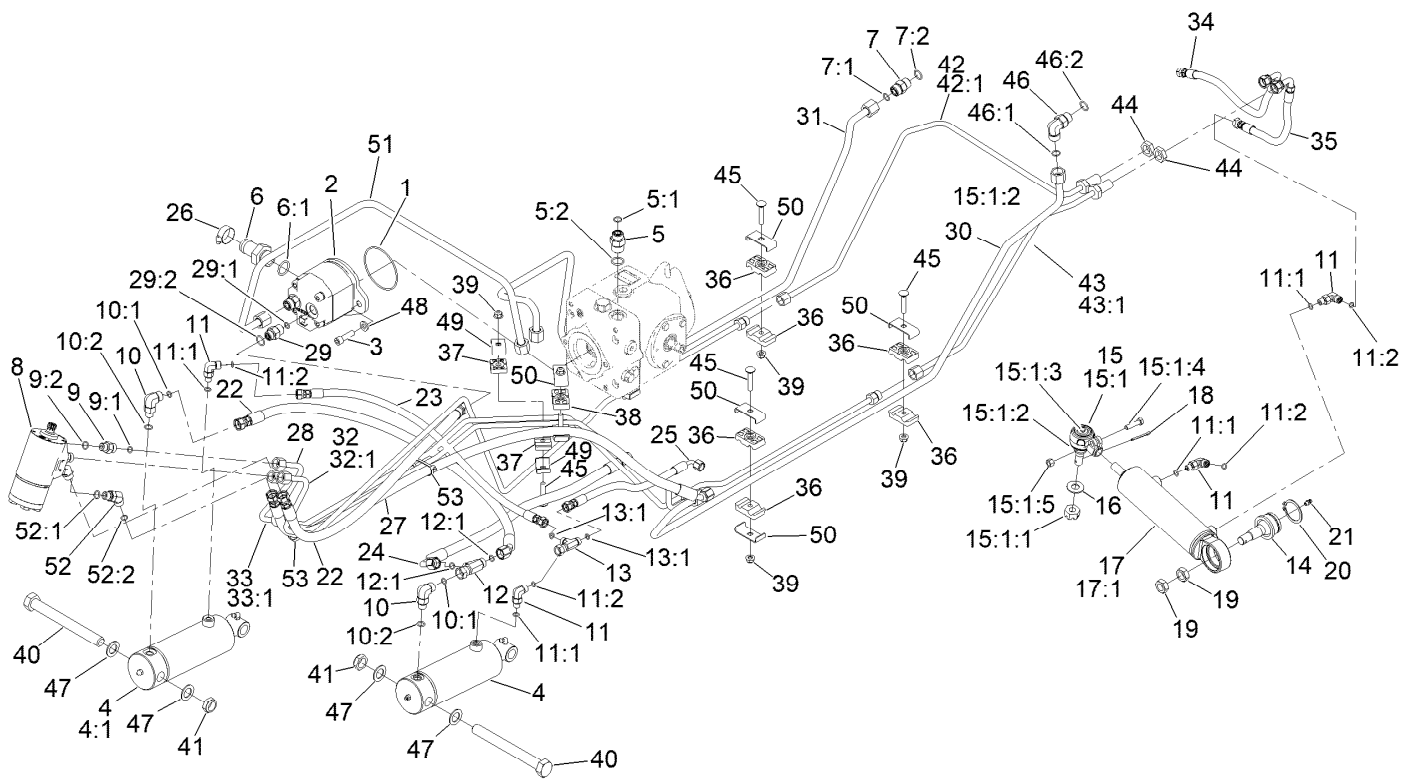
■ Not serviced separately



Driveshaft Assembly No. 144-0521SP

| Ref. | Part Number | Qty. | Description |
|---------|-------------|------|------------------------------|
| 1 | | 1 | Driveshaft ASM ● |
| 1:1 | | 1 | Shaft-Drive, Jdl ● |
| 1:1:7 | | 1 | Yoke-Splined W/Cross Joint ● |
| 1:1:7:1 | 144-0550 | 1 | Bearing-Cross Joint |
| 1:1:8 | 144-0550 | 1 | Bearing-Cross Joint |
| 1:2 | 139-6304 | 1 | Decal-Danger, Entanglement |

● Not serviced separately

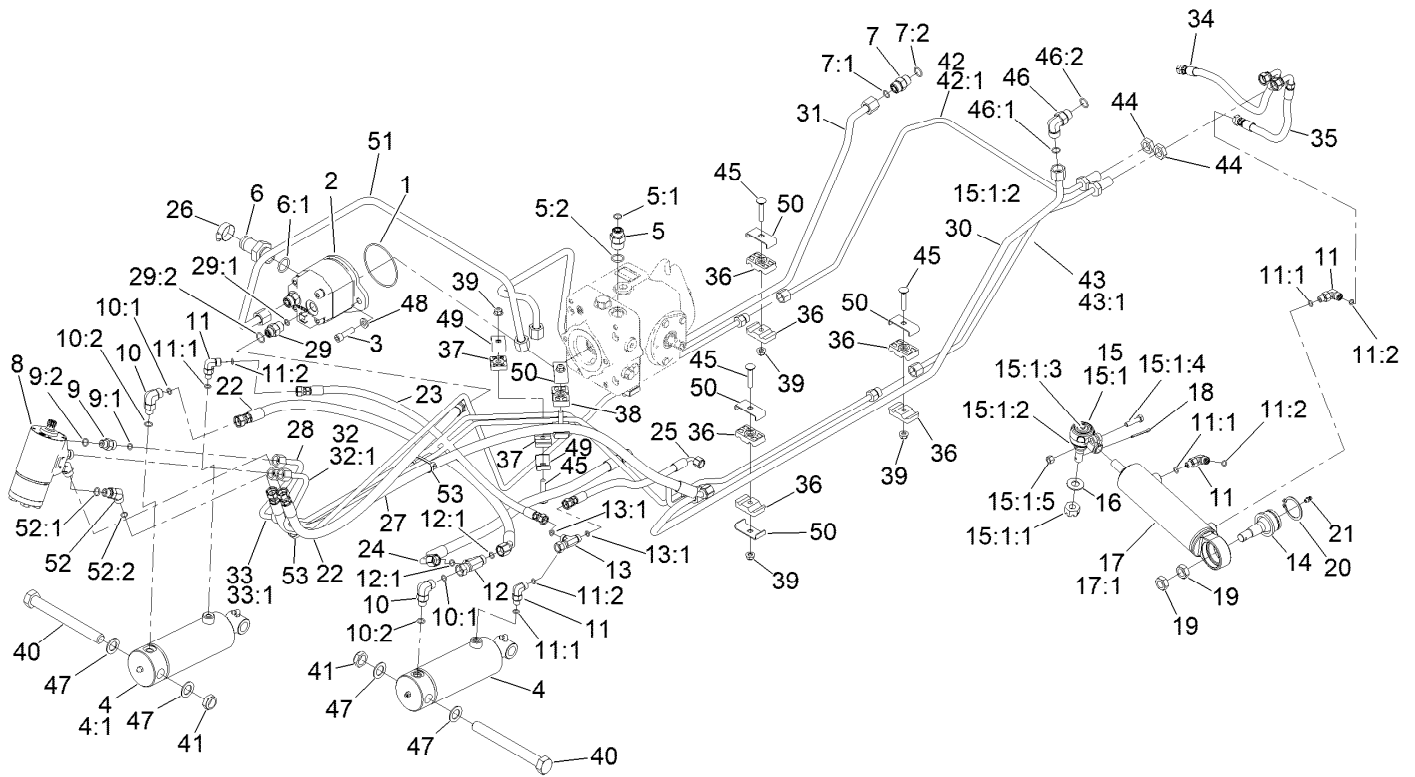


Hydraulic Assembly

| Ref. | Part Number | Qty. | Description | Ref. | Part Number | Qty. | Description |
|------|-------------|------|-----------------------|--------|-------------|------|-----------------------|
| 1 | 237-161 | 1 | O-Ring | 10:1 | 237-22 | 1 | O-Ring |
| 2 | 138-0321 | 1 | Pump-Gear | 10:2 | 237-42 | 1 | O-Ring |
| 3 | 3274-1 | 2 | Screw-HSH | 11 | 340-132 | 4 | Fitting-Elbow, 90 DEG |
| 4 | 139-0854 | 2 | Cylinder-Hydraulic | 11:1 | 237-78 | 1 | O-Ring |
| 4:1 | 140-3110 | 1 | Kit-Seal ● | 11:2 | 237-21 | 1 | O-Ring |
| 5 | 340-6 | 1 | Fitting-Straight | 12 | 340-115 | 1 | Fitting-Tee |
| 5:1 | 237-30 | 1 | O-Ring | 12:1 | 237-22 | 2 | O-Ring |
| 5:2 | 237-80 | 1 | O-Ring | 13 | 340-151 | 1 | Fitting-Tee |
| 6 | 99-3017 | 1 | Fitting | 13:1 | 237-21 | 2 | O-Ring |
| 6:1 | 237-81 | 1 | O-Ring | 14 | 106-6774 | 1 | Joint-Ball |
| 7 | 340-4 | 2 | Fitting-Straight | 15 | 106-6895-03 | 1 | Ball Joint ASM |
| 7:1 | 237-30 | 1 | O-Ring | 15:1 | | 1 | Joint-Ball ■ |
| 7:2 | 237-79 | 1 | O-Ring | 15:1:1 | 32136-13 | 1 | Nut-SHH |
| 8 | 114-8119 | 1 | Steering Valve ASM | 15:1:2 | 106-6896 | 1 | Seal |
| 9 | 340-2 | 3 | Fitting-Straight | 15:1:3 | 302-5 | 1 | Fitting-Grease |
| 9:1 | 237-22 | 1 | O-Ring | 15:1:4 | 3210-7 | 1 | Screw-HH |
| 9:2 | 237-42 | 1 | O-Ring | 15:1:5 | 32152-5 | 1 | Nut-Hex |
| 10 | 340-77 | 2 | Fitting-Elbow, 90 DEG | 16 | 69-8980 | 1 | Washer |

● Not illustrated

■ Not serviced separately

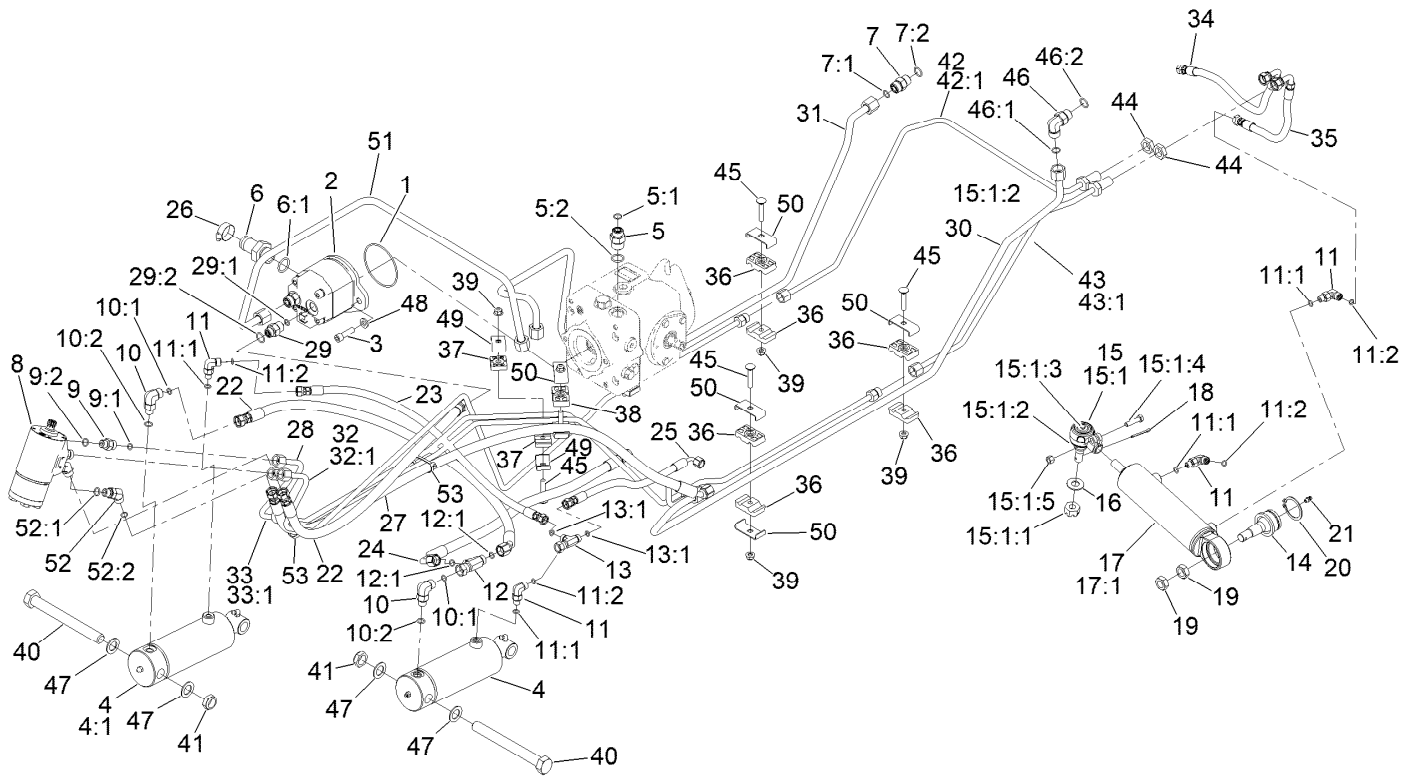


Hydraulic Assembly (continued)

| Ref. | Part Number | Qty. | Description | Ref. | Part Number | Qty. | Description |
|------|-------------|------|--------------------------|------|-------------|------|--------------------|
| 17 | 139-6277 | 1 | Steering Cylinder | 32 | 138-0333 | 1 | Hydraulic Tube ASM |
| 17:1 | 140-3120 | 1 | Kit-Seal ● | 32:1 | 237-22 | 1 | O-Ring |
| 18 | 3272-12 | 1 | Pin-Cotter | 33 | 138-0336 | 1 | Hydraulic Tube ASM |
| 19 | 3220-6 | 2 | Nut-Jam | 33:1 | 237-22 | 1 | O-Ring |
| 20 | 32151-104 | 1 | Ring-Retaining, External | 34 | 115-0383 | 1 | Hose ASM |
| 21 | 302-5 | 1 | Fitting-Grease | 35 | 137-2584 | 1 | Hose ASM |
| 22 | 137-5844 | 2 | Hose ASM | 36 | 56-7972 | 8 | Clamp-Tube |
| 23 | 137-5845 | 1 | Hose ASM | 37 | 56-7973 | 2 | Clamp-Tube |
| 24 | 137-5846 | 1 | Hose ASM | 38 | 56-7970 | 2 | Clamp-Tube |
| 25 | 137-5847 | 1 | Hose ASM | 39 | 104-8300 | 6 | Nut-HF, NI |
| 26 | 2412-34 | 1 | Clamp-Hose | 40 | 328-23 | 2 | Screw-HH |
| 27 | 140-3097 | 1 | Hose ASM | 41 | HDW02059 | 2 | Nut-Hex |
| 28 | 138-0331 | 1 | Hydraulic Tube ASM | 42 | 138-0343 | 1 | Hydraulic Tube ASM |
| 29 | 340-3 | 1 | Fitting-Straight | 42:1 | 237-22 | 1 | O-Ring |
| 29:1 | 237-22 | 1 | O-Ring | 43 | 138-0344 | 1 | Hydraulic Tube ASM |
| 29:2 | 237-79 | 1 | O-Ring | 43:1 | 237-22 | 1 | O-Ring |
| 30 | 138-7448 | 1 | Hydraulic Tube ASM | 44 | 340-70 | 2 | Nut-Lock |
| 31 | 138-7447 | 1 | Hydraulic Tube ASM | 45 | 3230-5 | 6 | Bolt-CARR |

● Not illustrated

■ Not serviced separately



Hydraulic Assembly (continued)

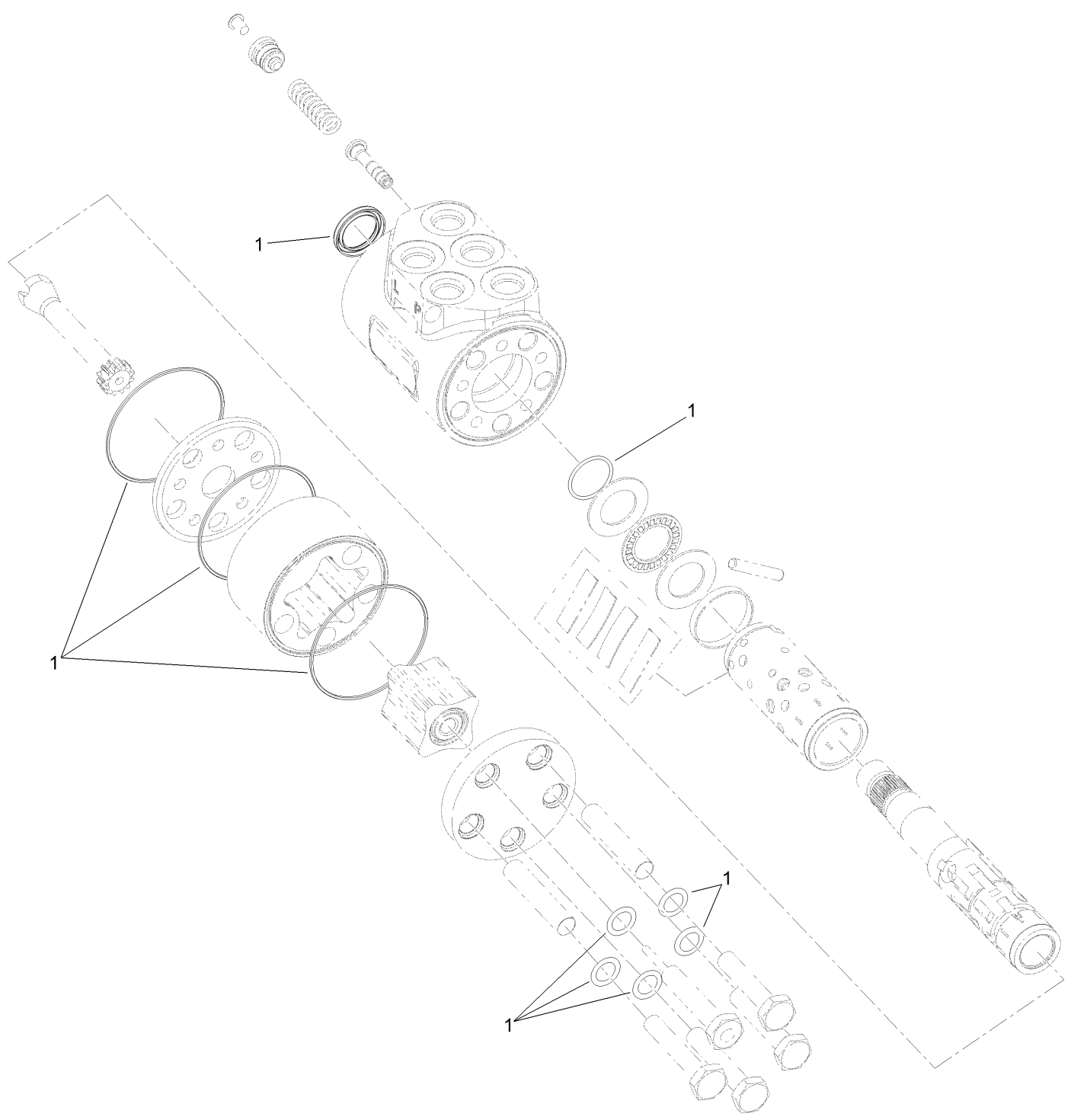
| Ref. | Part Number | Qty. | Description |
|------|-------------|------|-----------------------|
| 46 | 340-98 | 1 | Fitting-Elbow, 90 DEG |
| 46:1 | 237-79 | 1 | O-Ring |
| 46:2 | 237-30 | 1 | O-Ring |
| 47 | 126-7888 | 4 | Washer-Nylon |
| 48 | 139-6293 | 2 | Washer |
| 49 | 119-1418 | 2 | Plate-Clamp, Short |

| Ref. | Part Number | Qty. | Description |
|------|-------------|------|-----------------------|
| 50 | 119-1419 | 8 | Plate-Clamp |
| 51 | 138-0342 | 1 | Hydraulic Tube ASM |
| 52 | 340-87 | 2 | Fitting-Elbow, 45 DEG |
| 52:1 | 237-22 | 1 | O-Ring |
| 52:2 | 237-42 | 1 | O-Ring |
| 53 | 3290-378 | 2 | Tie-Cable |

● Not illustrated

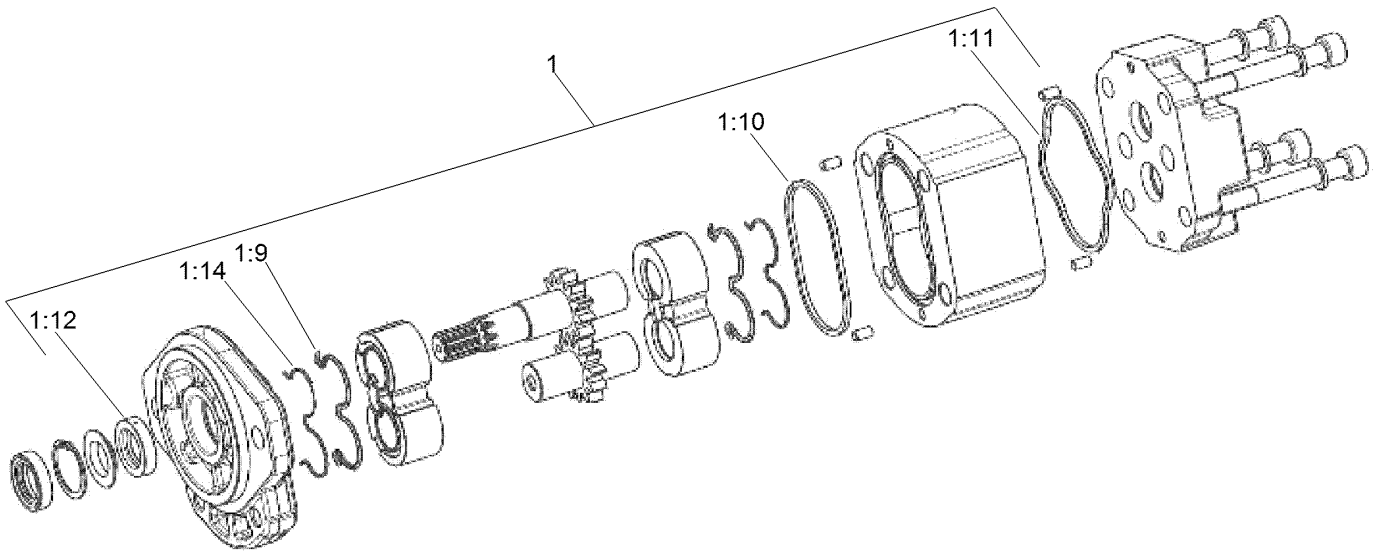
■ Not serviced separately

Steering Valve Assembly No. 114-8119



Steering Valve Assembly No. 114-8119 (continued)

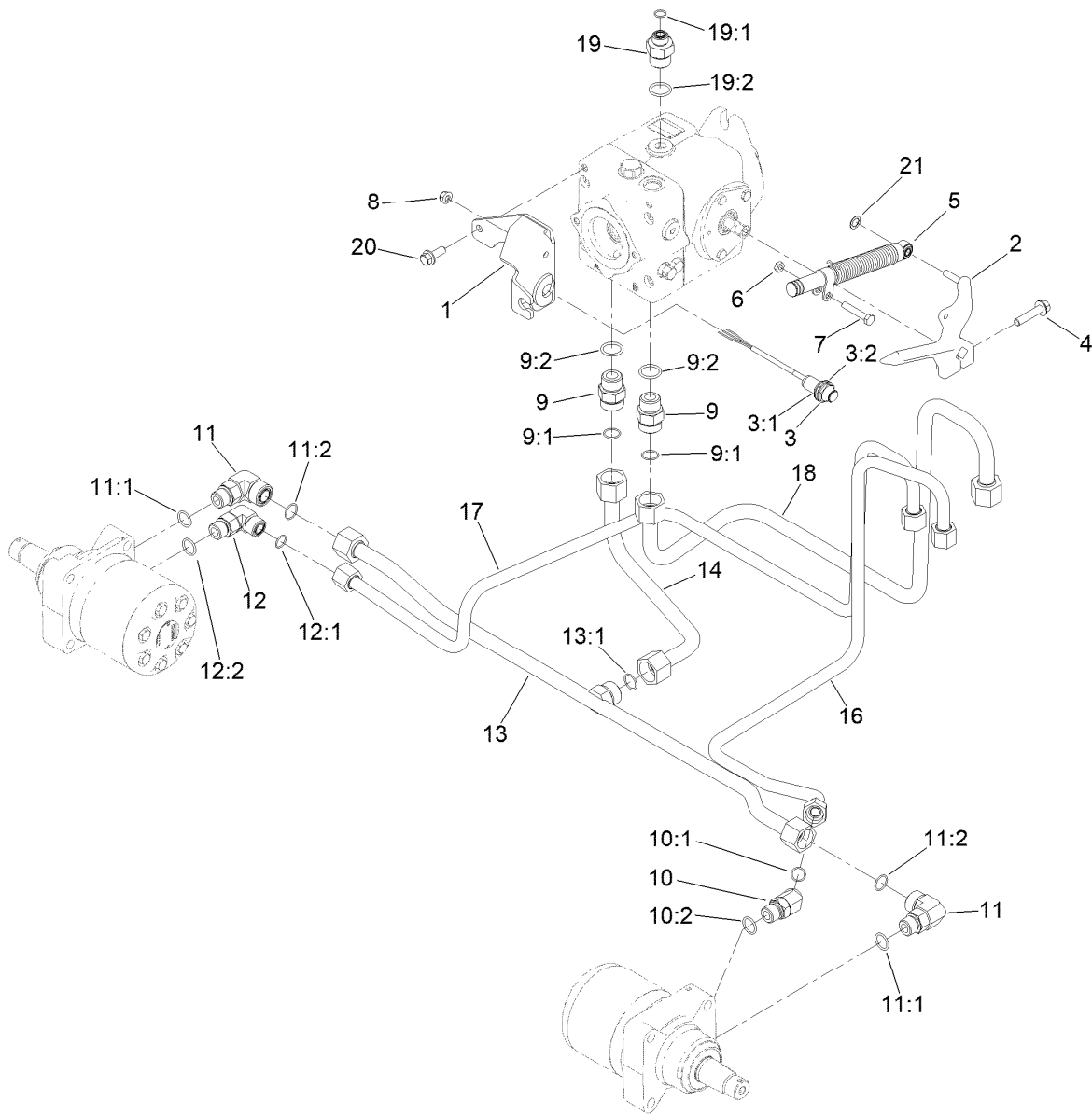
| <i>Ref.</i> | <i>Part Number</i> | <i>Qty.</i> | <i>Description</i> |
|-------------|--------------------|-------------|--------------------|
| 1 | 106-6716 | 1 | Seal Kit |



Gear Pump Assembly No. 138-0321

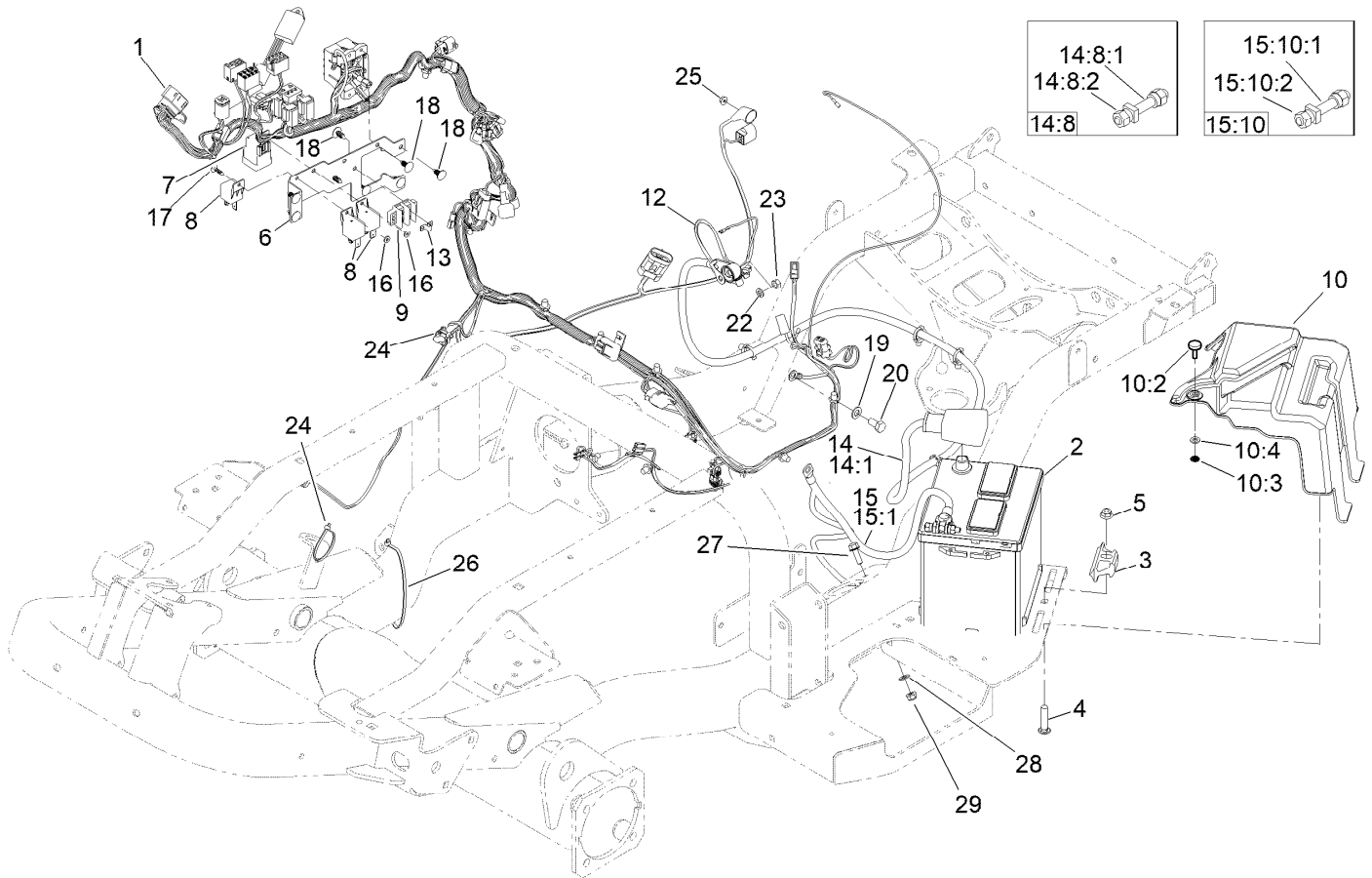
| <i>Ref.</i> | <i>Part Number</i> | <i>Qty.</i> | <i>Description</i> |
|-------------|--------------------|-------------|--------------------|
| 1 | 139-6299 | 1 | Kit-Seal |
| 1:9 | | 1 | Seal ● |
| 1:10 | | 1 | Seal-Standard ● |
| 1:11 | | 1 | Seal-Square ● |
| 1:12 | | 1 | Seal-Shaft ● |
| 1:14 | | 1 | Anti Extrusion ● |

● Not serviced separately



Traction Hydraulic Assembly

| Ref. | Part Number | Qty. | Description | Ref. | Part Number | Qty. | Description |
|------|-------------|------|--------------------------------|------|-------------|------|-----------------------|
| 1 | 139-6195-0P | 1 | Bracket-Cable Support [primed] | 11:1 | 237-80 | 1 | O-Ring |
| 2 | 138-6378 | 1 | Lever-Pump | 11:2 | 237-58 | 1 | O-Ring |
| 3 | 115-5300 | 1 | Proximity Switch ASM | 12 | 340-17 | 1 | Fitting-Elbow, 90 DEG |
| 3:1 | 117-3207 | 2 | Nut-Hex | 12:1 | 237-65 | 1 | O-Ring |
| 3:2 | 117-3208 | 2 | Washer-Lock, Internal Tooth | 12:2 | 237-80 | 1 | O-Ring |
| 4 | 3234-19 | 1 | Screw-HHF | 13 | 138-0340 | 1 | Hydraulic Tube ASM |
| 5 | 140-6248 | 1 | Damper | 13:1 | 237-58 | 1 | O-Ring |
| 6 | 3218-2 | 1 | Nut-Hex Jam | 14 | 138-0341 | 1 | Hydraulic Tube ASM |
| 7 | 322-10 | 1 | Screw-HH | 16 | 138-0345 | 1 | Hydraulic Tube ASM |
| 8 | 104-8300 | 1 | Nut-HF, NI | 17 | 138-0346 | 1 | Hydraulic Tube ASM |
| 9 | 340-9 | 2 | Fitting-STR | 18 | 138-0339 | 1 | Hydraulic Tube ASM |
| 9:1 | 237-58 | 1 | O-Ring | 19 | 100-4240 | 1 | Fitting-STR |
| 9:2 | 237-81 | 1 | O-Ring | 19:1 | 237-30 | 1 | O-Ring |
| 10 | 340-14 | 1 | Fitting-HYD, 45 DEG | 19:2 | 237-81 | 1 | O-Ring |
| 10:1 | 237-65 | 1 | O-Ring | 20 | 3234-42 | 2 | Screw-HHF |
| 10:2 | 237-80 | 1 | O-Ring | 21 | 32151-72 | 1 | Ring-Retaining |
| 11 | 340-16 | 2 | Fitting-HYD, 90 DEG | | | | |

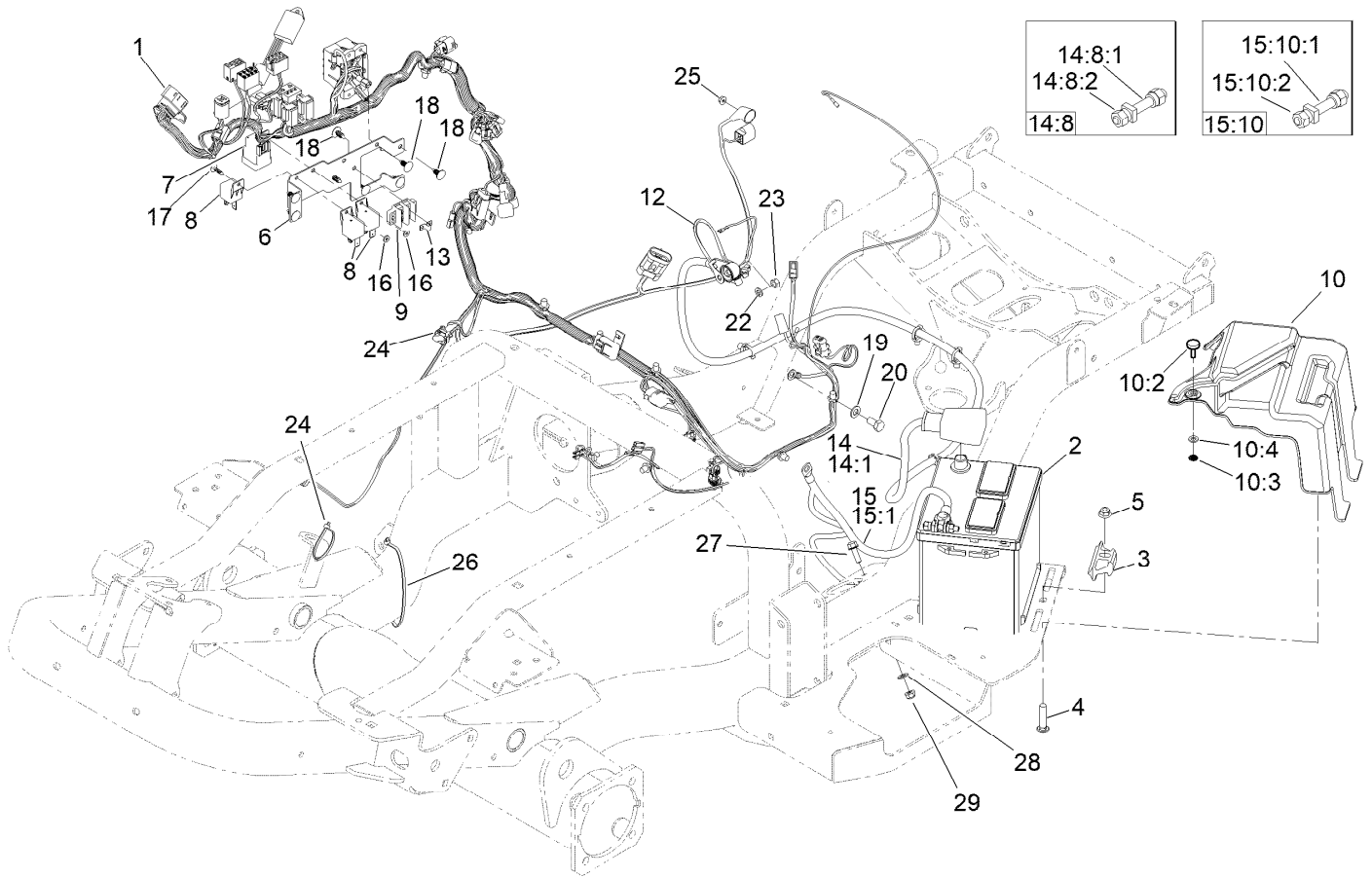


Electrical Assembly

| Ref. | Part Number | Qty. | Description | Ref. | Part Number | Qty. | Description |
|------|-------------|------|----------------------------------|---------|-------------|------|-----------------------------|
| 1 | 122-1657 | 1 | Harness-Wire | 14:8 | | 1 | Bolt ASM ■ |
| 2 | 106-5187 | 1 | Battery, 525 CCA W/O Electrolyte | 14:8:1 | 32180-107 | 1 | Bolt-Clamp, Battery |
| 3 | 138-6335 | 1 | Retainer-Battery | 14:8:2 | 32180-108 | 2 | Nut-Clamp, Battery |
| 4 | 3231-29 | 1 | Screw-CARR | 15 | 122-1276 | 1 | Cable-Battery, Negative ASM |
| 5 | 104-8301 | 1 | Nut-HF, NI | 15:1 | 32180-115 | 1 | Panduit, Cable Tie ● |
| 6 | 138-7467-0P | 1 | Bracket-Electrical | 15:10 | | 1 | Bolt ASM ■ |
| 7 | 99-7430 | 1 | Relay-Mini | 15:10:1 | 32180-107 | 1 | Bolt-Clamp, Battery |
| 8 | 99-7435 | 3 | Relay | 15:10:2 | 32180-108 | 2 | Nut-Clamp, Battery |
| 9 | 42862 | 1 | Block-Terminal, Ground | 16 | 3256-21 | 2 | Washer-Flat |
| 10 | 140-9010 | 1 | Battery Cover ASM | 17 | 125-8067 | 2 | Plug-Plastic |
| 10:2 | 140-9033 | 1 | Knob-Stud | 18 | 117-2382 | 8 | Plug-Plastic |
| 10:3 | 32115-15 | 1 | Nut-Push | 19 | 33095-00 | 1 | Washer-Flat |
| 10:4 | 3256-22 | 1 | Washer-Flat | 20 | 33115-020 | 1 | Screw-HH |
| 12 | 99-3441 | 1 | Harness-Wire, Fusible Link | 22 | 3253-4 | 1 | Washer-Lock |
| 13 | 42863 | 1 | Strip-Jumper | 23 | 33014-00 | 1 | Nut-Hex |
| 14 | 122-1275 | 1 | Cable-Battery, Positive ASM | 24 | 3290-378 | 2 | Tie-Cable |
| 14:1 | 32180-115 | 1 | Panduit, Cable Tie ● | 25 | 33003-00 | 1 | Nut-HF |

● Not illustrated

■ Not serviced separately



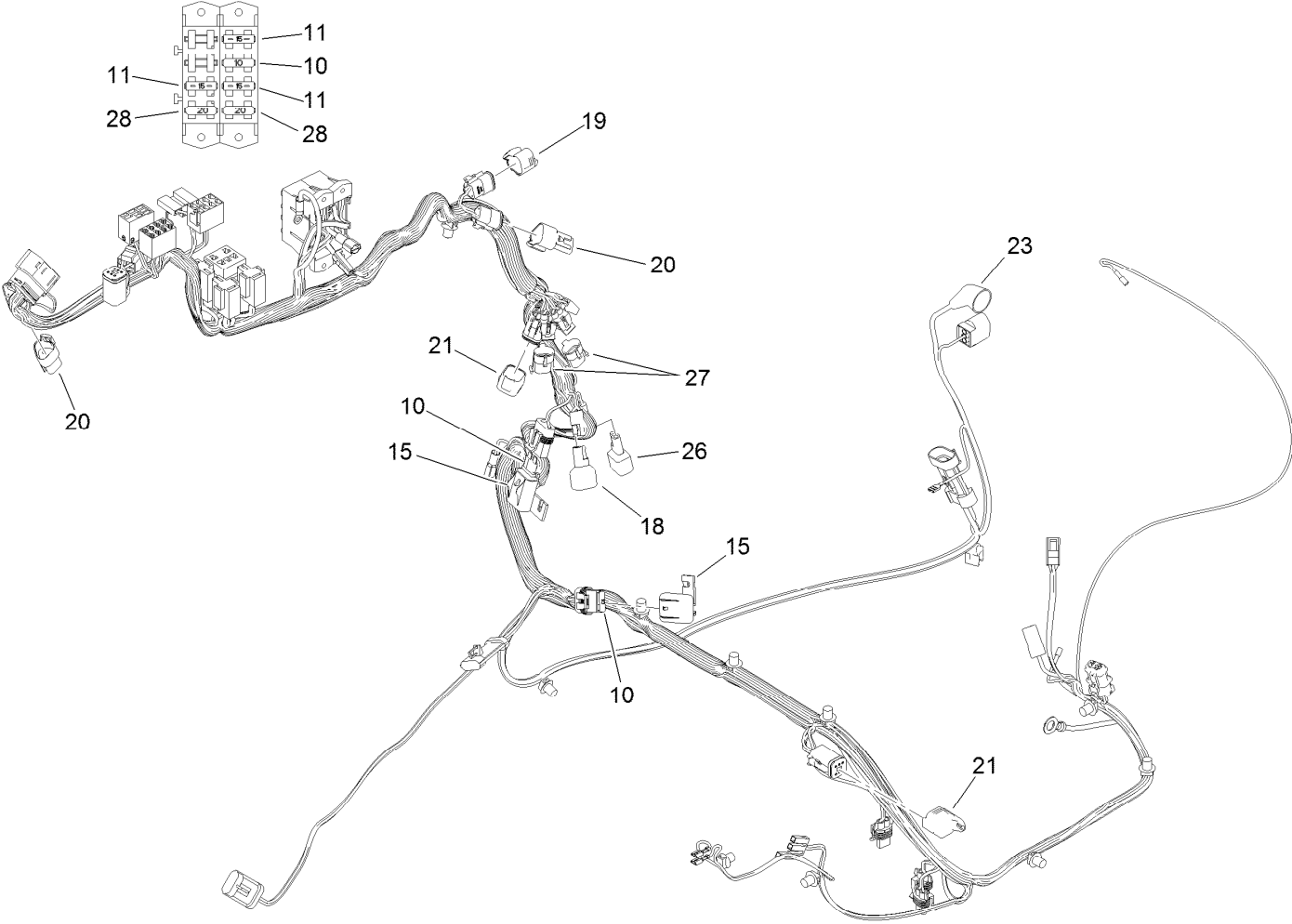
Electrical Assembly (continued)

| <i>Ref.</i> | <i>Part Number</i> | <i>Qty.</i> | <i>Description</i> | <i>Ref.</i> | <i>Part Number</i> | <i>Qty.</i> | <i>Description</i> |
|-------------|--------------------|-------------|--------------------|-------------|--------------------|-------------|--------------------|
| 26 | 3290-379 | 1 | Tie-Cable | 28 | 120-9683 | 1 | Washer-Plain |
| 27 | 3234-29 | 1 | Screw-HHF | 29 | 104-8300 | 1 | Nut-HF, NI |

● Not illustrated

■ Not serviced separately

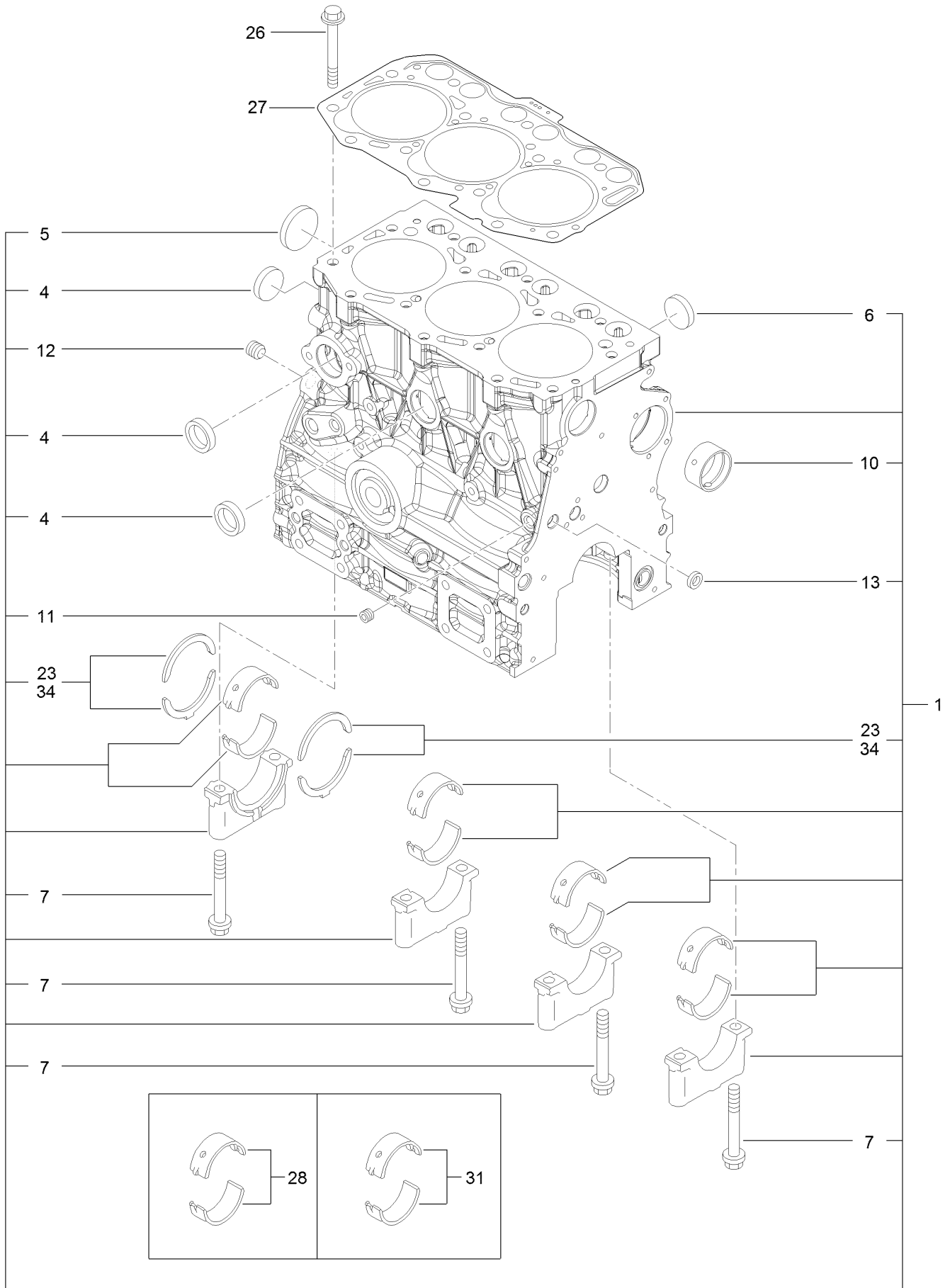
Wire Harness Assembly No. 122-1657



Wire Harness Assembly No. 122-1657 (continued)

| <i>Ref.</i> | <i>Part Number</i> | <i>Qty.</i> | <i>Description</i> | <i>Ref.</i> | <i>Part Number</i> | <i>Qty.</i> | <i>Description</i> |
|-------------|--------------------|-------------|--------------------|-------------|--------------------|-------------|---------------------------|
| 10 | 218-578 | 3 | Fuse-Blade, 10 Amp | 21 | 32180-156 | 2 | Cap-Plug, 6 Way |
| 11 | 109355 | 3 | Fuse-Blade, 15 Amp | 23 | 32180-017 | 1 | Insulator-Terminal, Black |
| 15 | 32180-019 | 2 | Cover-Fuse, Single | 26 | 104-4022 | 1 | Resistor-75 Ohm |
| 18 | 108-9493 | 1 | Diode-Tvs | 27 | 32180-056 | 2 | Cap |
| 19 | 32180-089 | 1 | Cap-Plug, 3 Way | 28 | 109101 | 2 | Fuse-Blade, 20 Amp |
| 20 | 32180-043 | 2 | Resistor-120 Ohm | | | | |

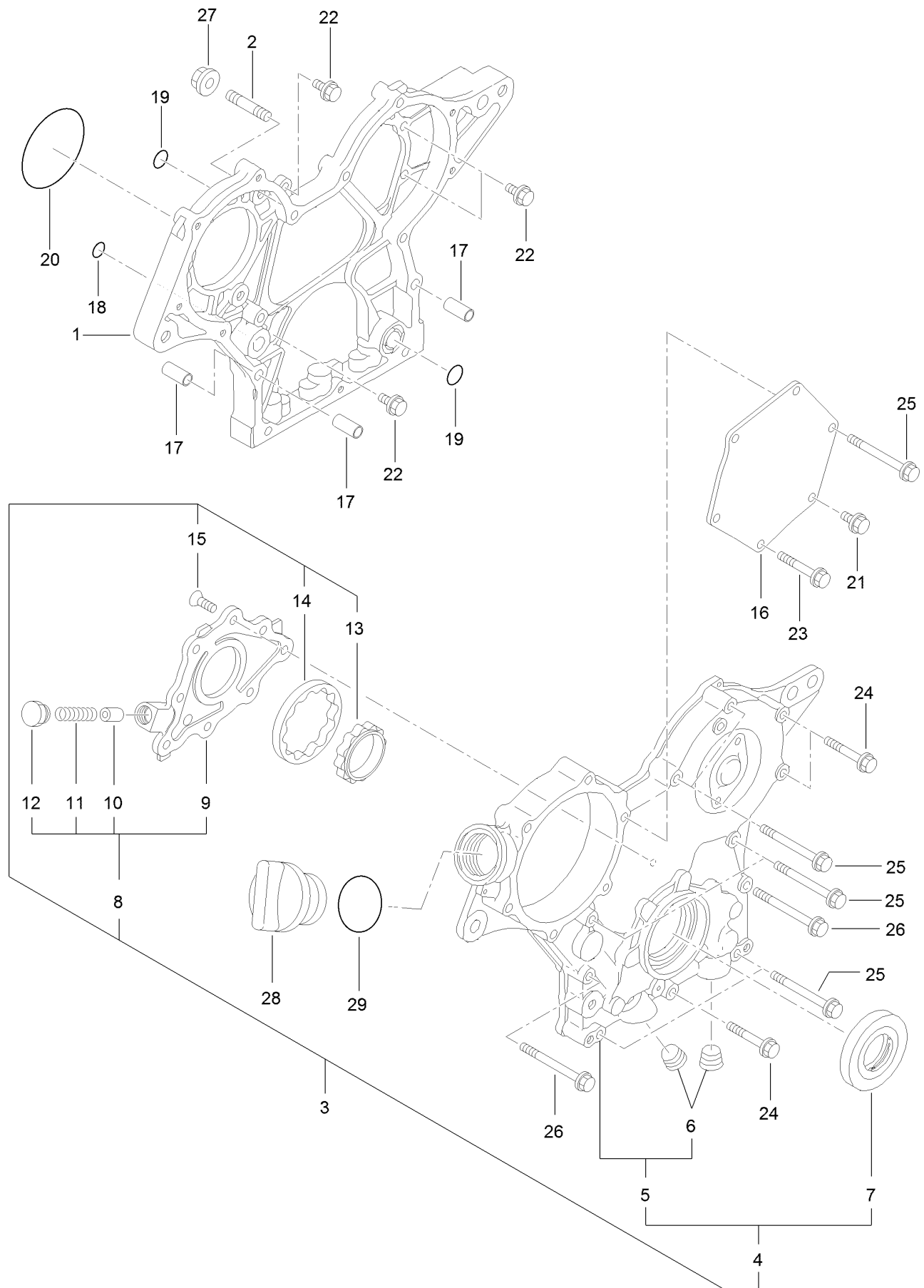
Cylinder Block Assembly



Cylinder Block Assembly (continued)

| <i>Ref.</i> | <i>Part Number</i> | <i>Qty.</i> | <i>Description</i> | <i>Ref.</i> | <i>Part Number</i> | <i>Qty.</i> | <i>Description</i> |
|-------------|--------------------|-------------|--------------------|-------------|--------------------|-------------|---------------------|
| 1 | 135-4030 | 1 | Cylinder Block ASM | 13 | 125-7237 | 1 | Plug |
| 4 | 135-4031 | 4 | Plug-Cup | 23 | 135-4036 | 2 | Thrust Bearing ASM |
| 5 | 135-4032 | 1 | Plug-Dish | 26 | 135-4037 | 14 | Bolt-Head, Cylinder |
| 6 | 135-4033 | 3 | Plug-Cup | 27 | 135-4038 | 1 | Head Gasket Set |
| 7 | 135-4034 | 8 | Bolt-Cap | 28 | 135-4039 | 1 | Main Bearing ASM |
| 10 | 135-4035 | 1 | Bushing-Camshaft | 31 | 135-4040 | 2 | Main Bearing ASM |
| 11 | 125-6969 | 1 | Plug | 34 | 135-4041 | 2 | Bearing-Thrust |
| 12 | 125-6973 | 1 | Plug | | | | |

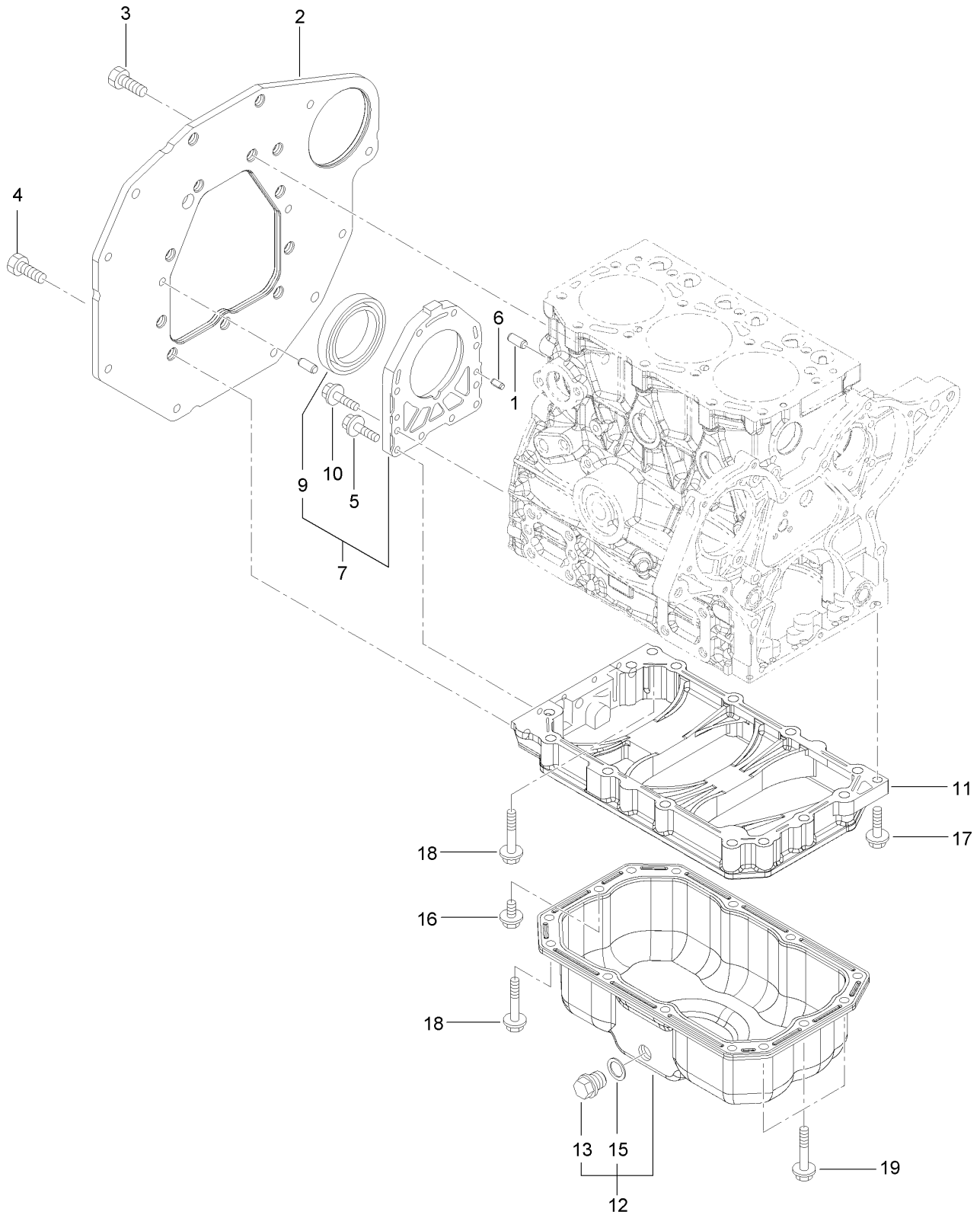
Gear Housing Assembly



Gear Housing Assembly (continued)

| <i>Ref.</i> | <i>Part Number</i> | <i>Qty.</i> | <i>Description</i> | <i>Ref.</i> | <i>Part Number</i> | <i>Qty.</i> | <i>Description</i> |
|-------------|--------------------|-------------|---------------------|-------------|--------------------|-------------|--------------------|
| 1 | 135-4042 | 1 | Case-Gear | 16 | 135-4056 | 1 | Cover-Pump |
| 2 | 135-4043 | 3 | Bolt-Stud | 17 | 135-4057 | 4 | Dowel-Pipe |
| 3 | 135-4044 | 1 | Gear Case Cover ASM | 18 | 127-2973 | 1 | O-Ring |
| 4 | 135-4045 | 1 | Gear Case Cover ASM | 19 | 135-4058 | 3 | O-Ring |
| 5 | 135-4046 | 1 | Cover-Case, Gear | 20 | 125-6957 | 1 | O-Ring |
| 6 | 133-6798 | 2 | Plug | 21 | 125-7206 | 1 | Bolt |
| 7 | 135-4047 | 1 | Seal-Oil | 22 | 125-7208 | 4 | Bolt |
| 8 | 135-4048 | 1 | Cover ASM | 23 | 125-7211 | 4 | Bolt |
| 9 | 135-4049 | 1 | Cover-Pump | 24 | 125-7211 | 3 | Bolt |
| 10 | 135-4050 | 1 | Valve-Relief | 25 | 135-4059 | 7 | Bolt |
| 11 | 135-4051 | 1 | Spring | 26 | 136-8257 | 2 | Bolt |
| 12 | 135-4052 | 1 | Plug | 27 | 125-7229 | 3 | Nut |
| 13 | 135-4053 | 1 | Rotor-Inner | 28 | 125-6972 | 1 | Cover-Filler |
| 14 | 135-4054 | 1 | Rotor-Outer | 29 | 125-7197 | 1 | O-Ring |
| 15 | 135-4055 | 8 | Screw | | | | |

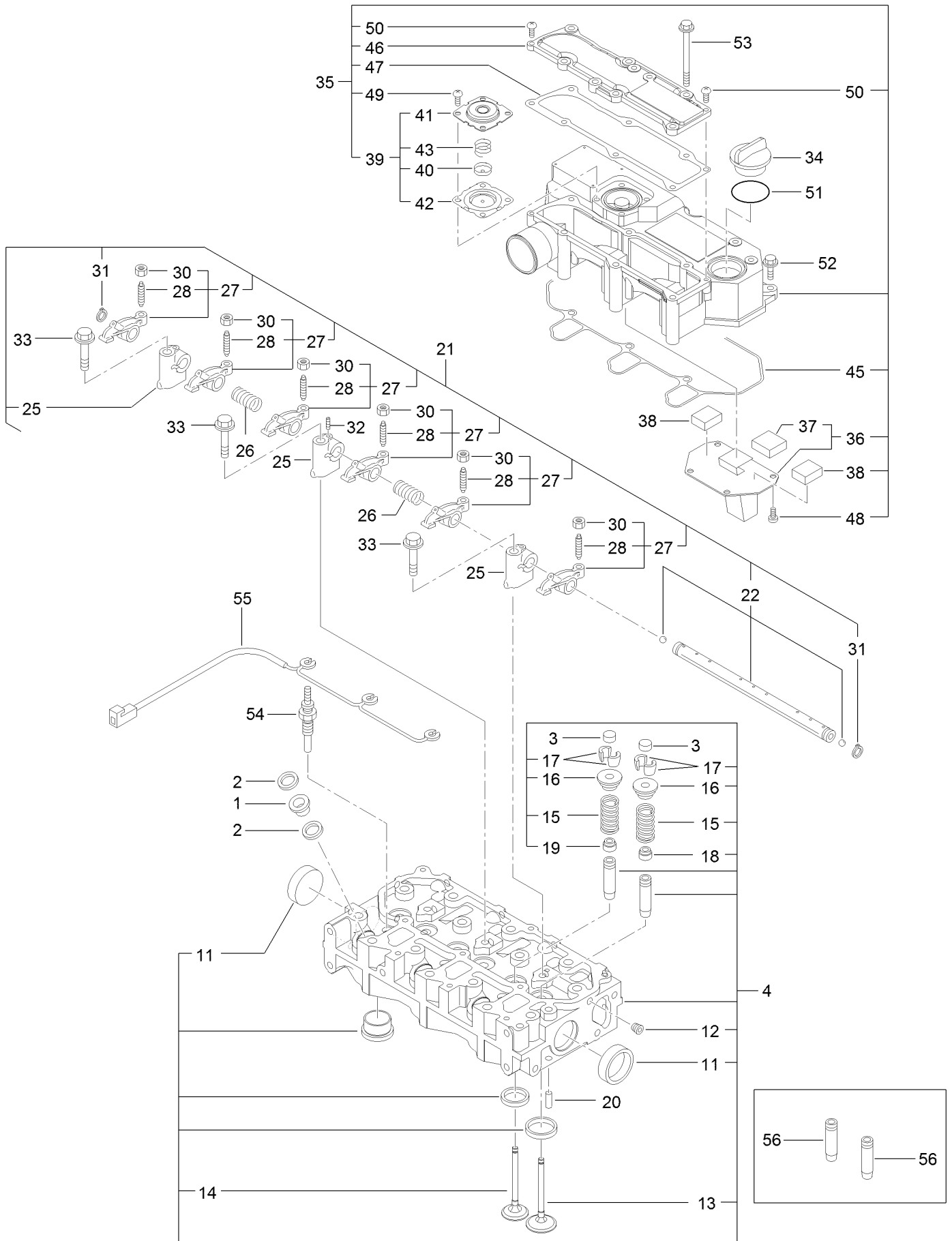
Mounting Flange and Oil Sump Assembly



Mounting Flange and Oil Sump Assembly (continued)

| <i>Ref.</i> | <i>Part Number</i> | <i>Qty.</i> | <i>Description</i> | <i>Ref.</i> | <i>Part Number</i> | <i>Qty.</i> | <i>Description</i> |
|-------------|--------------------|-------------|--------------------|-------------|--------------------|-------------|--------------------|
| 1 | 125-6995 | 2 | Pin | 11 | 135-4066 | 1 | Spacer-Pan, Oil |
| 2 | 140-7156 | 1 | Flange-Mounting | 12 | 134-1398 | 1 | Oil Pan ASM |
| 3 | 140-7181 | 9 | Bolt | 13 | 135-4068 | 1 | Plug |
| 4 | 125-7226 | 3 | Bolt | 15 | 136-8236 | 1 | Washer-Seal |
| 5 | 140-7152 | 4 | Bolt | 16 | 125-7212 | 1 | Bolt |
| 6 | 135-4062 | 2 | Pin-Parallel | 17 | 125-7216 | 1 | Bolt |
| 7 | 140-7160 | 1 | Case Oil Seal ASM | 18 | 125-7219 | 11 | Bolt |
| 9 | 135-4064 | 1 | Seal-Oil | 19 | 125-7220 | 3 | Bolt |
| 10 | 135-4065 | 6 | Bolt | | | | |

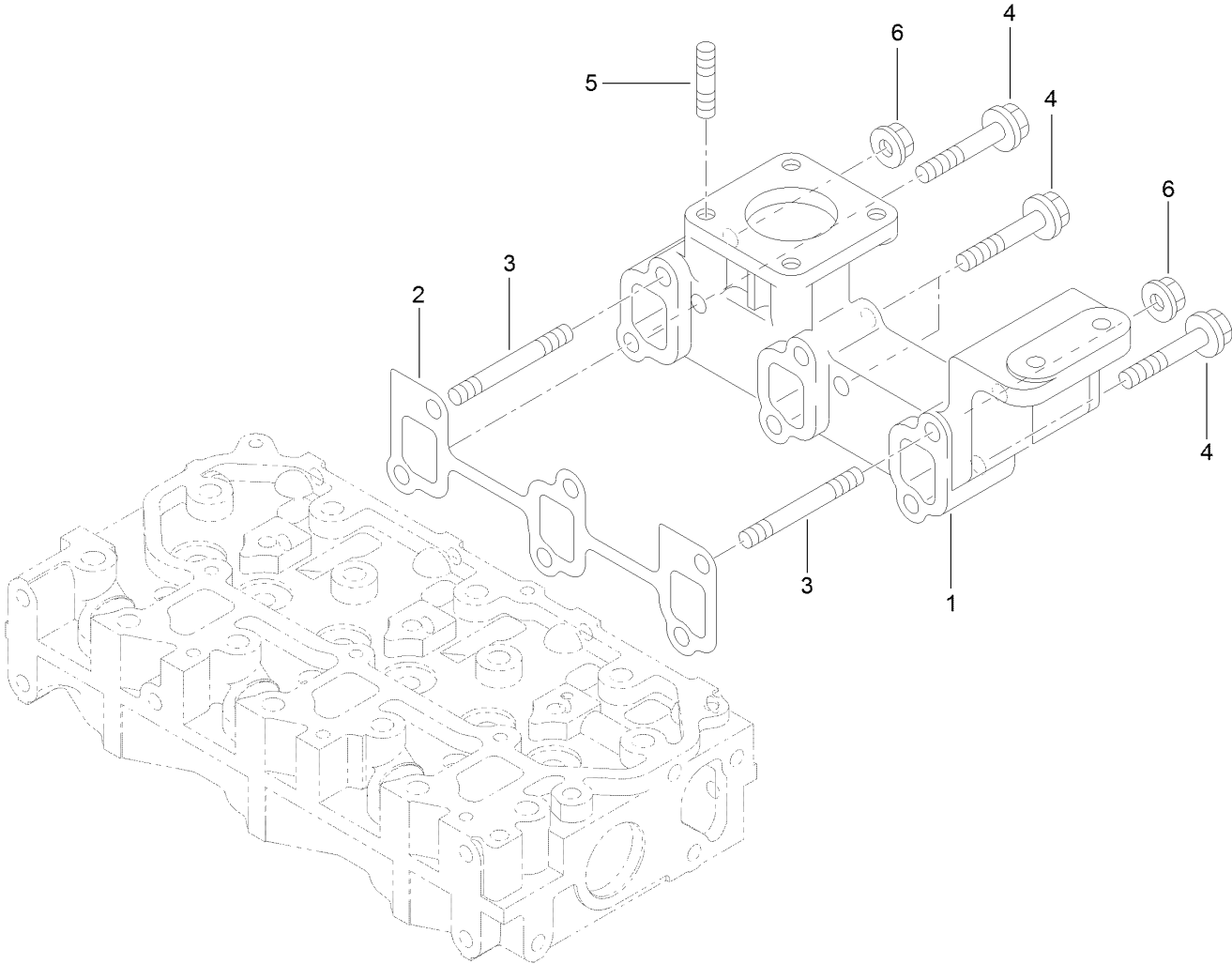
Cylinder Head and Cover Assembly



Cylinder Head and Cover Assembly (continued)

| <i>Ref.</i> | <i>Part Number</i> | <i>Qty.</i> | <i>Description</i> | <i>Ref.</i> | <i>Part Number</i> | <i>Qty.</i> | <i>Description</i> |
|-------------|--------------------|-------------|---------------------|-------------|--------------------|-------------|-----------------------------|
| 1 | 135-4069 | 3 | Protector-Nozzle | 34 | 125-6972 | 1 | Cover-Filler |
| 2 | 135-4070 | 6 | Gasket-Nozzle | 35 | 134-1402 | 1 | Cylinder Head Cover ASM |
| 3 | 135-4071 | 6 | Cap-Valve | 36 | 135-4085 | 1 | Plate-Baffle |
| 4 | 134-4001 | 1 | Cylinder Head ASM | 37 | 135-4086 | 1 | Baffle-Breather |
| 11 | 135-4073 | 2 | Plug-Cup | 38 | 135-4086 | 2 | Baffle-Breather |
| 12 | 133-6797 | 1 | Plug | 39 | 135-4088 | 1 | Diaphragm ASM |
| 13 | 135-4074 | 3 | Valve-Suction | 40 | 135-4089 | 1 | Plate-Diaphragm |
| 14 | 135-4075 | 3 | Valve-Exhaust | 41 | 135-4090 | 1 | Cover-Diaphragm |
| 15 | 135-4076 | 6 | Spring-Valve | 42 | 135-4091 | 1 | Diaphragm |
| 16 | 125-7054 | 6 | Retainer | 43 | 135-4092 | 1 | Spring-Diaphragm |
| 17 | 125-6914 | 12 | Cotter | 45 | 135-4093 | 1 | Gasket-Cover, Cylinder Head |
| 18 | 125-6915 | 3 | Seal-Stem, Valve | 46 | 134-1401 | 1 | Cover-Head, Cylinder |
| 19 | 125-6916 | 3 | Seal-Stem, Valve | 47 | 135-4095 | 1 | Gasket |
| 20 | 125-7184 | 2 | Pin-Spring | 48 | 125-7186 | 4 | Screw |
| 21 | 135-4077 | 1 | Rocker Support ASM | 49 | 125-7186 | 4 | Screw |
| 22 | 135-4078 | 1 | Rocker Shaft ASM | 50 | 127-3168 | 2 | Screw |
| 25 | 135-4079 | 3 | Support-Arm, Rocker | 51 | 125-7197 | 1 | O-Ring |
| 26 | 135-4080 | 2 | Spring-Rocker | 52 | 125-7209 | 3 | Bolt |
| 27 | 135-4081 | 6 | Rocker Arm ASM | 53 | 135-4096 | 6 | Bolt |
| 28 | 125-7013 | 6 | Screw-Adjust, Valve | 54 | 135-4291 | 3 | Plug-Glow |
| 30 | 125-7014 | 6 | Nut | 55 | 134-1443 | 1 | Connector-Plug, Glow |
| 31 | 135-7082 | 2 | Ring | 56 | 125-6917 | 6 | Guide |
| 32 | 135-4083 | 1 | Screw | | | | |
| 33 | 125-7218 | 3 | Bolt | | | | |

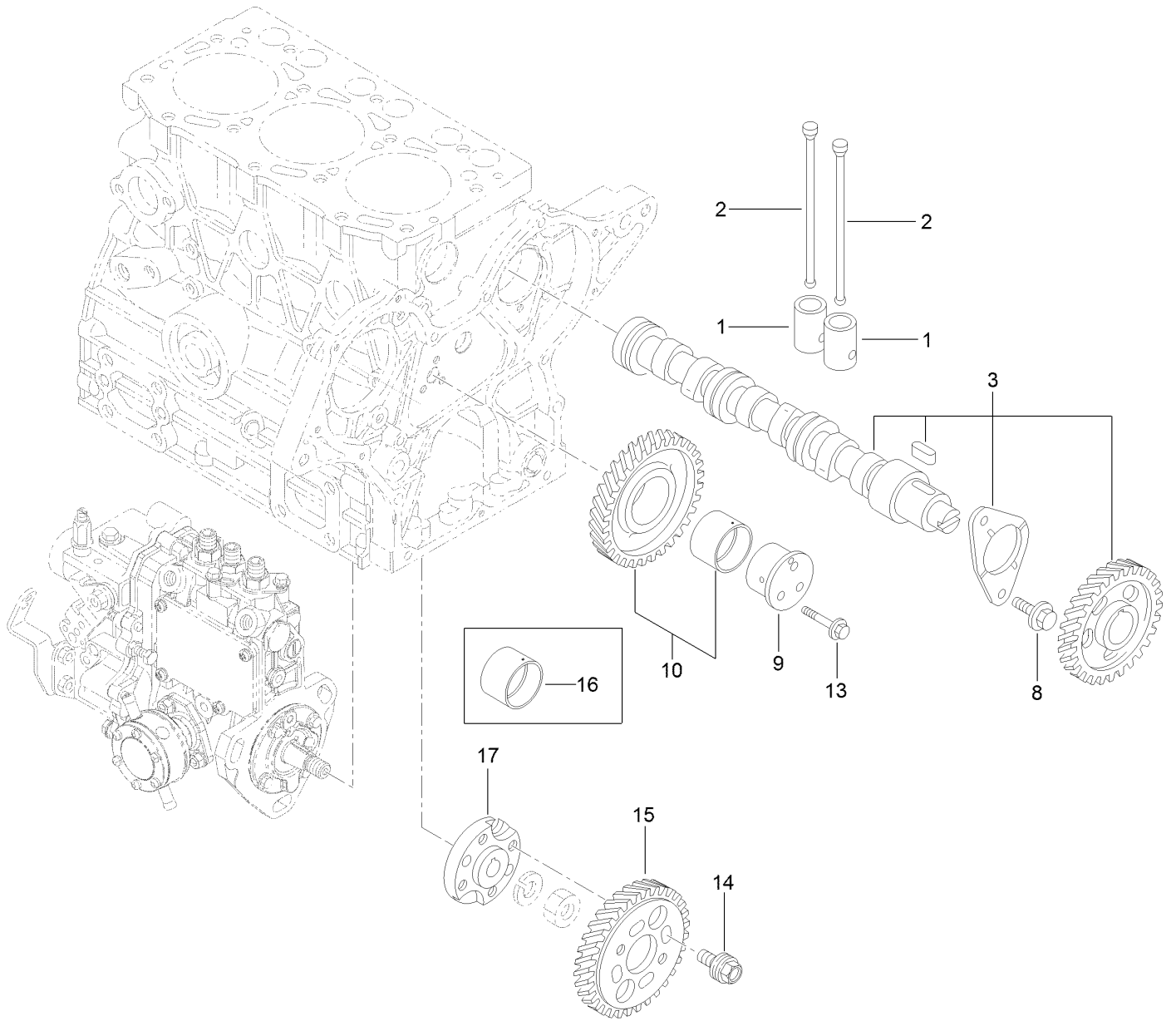
Exhaust Manifold Assembly



Exhaust Manifold Assembly (continued)

| <i>Ref.</i> | <i>Part Number</i> | <i>Qty.</i> | <i>Description</i> | <i>Ref.</i> | <i>Part Number</i> | <i>Qty.</i> | <i>Description</i> |
|-------------|--------------------|-------------|--------------------------|-------------|--------------------|-------------|--------------------|
| 1 | 140-7161 | 1 | Manifold-Exhaust | 4 | 133-6714 | 4 | Bolt |
| 2 | 135-4107 | 1 | Gasket-Manifold, Exhaust | 5 | 125-6906 | 4 | Stud |
| 3 | 134-1404 | 2 | Bolt-Stud | 6 | 125-7229 | 2 | Nut |

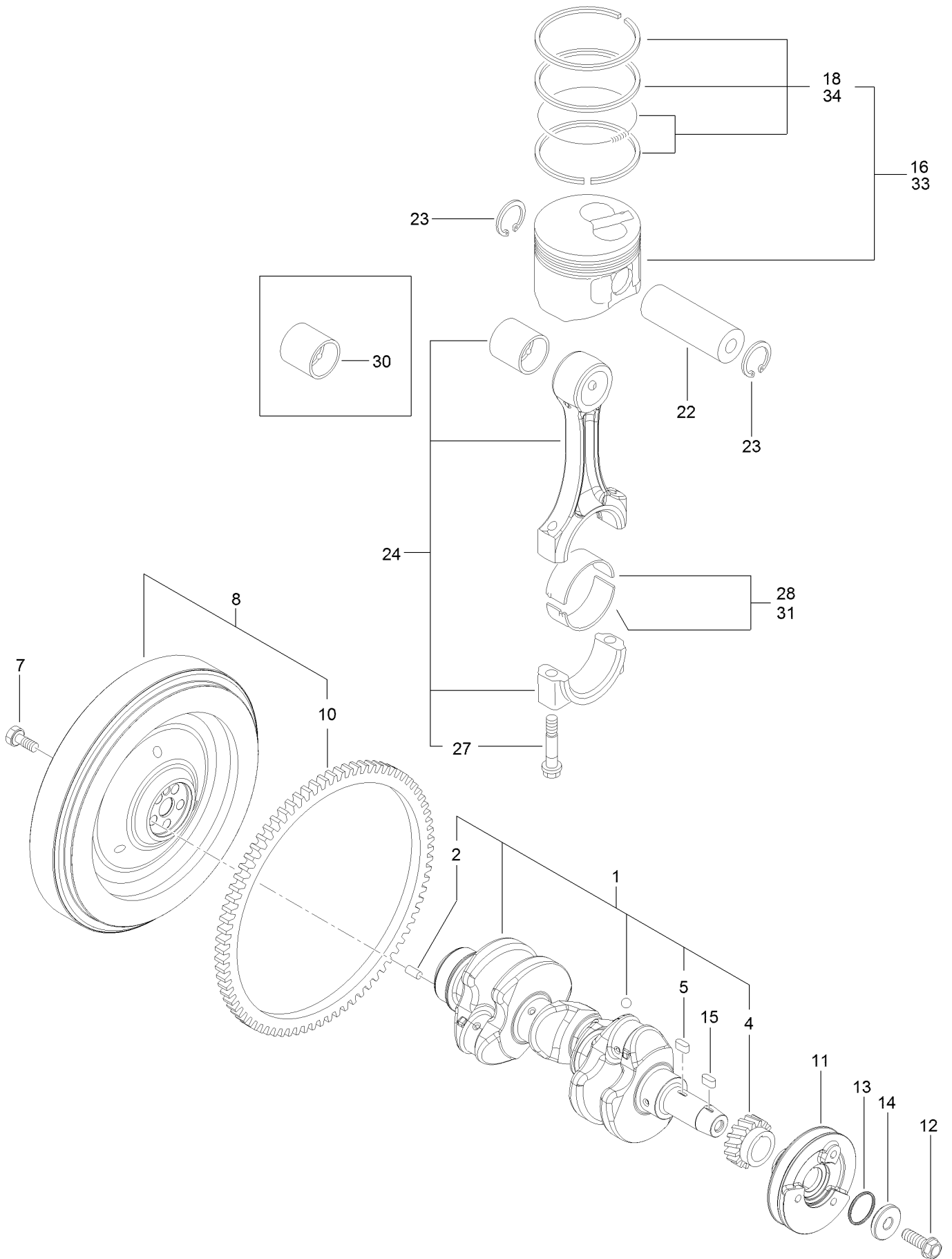
Camshaft and Driving Gear Assembly



Camshaft and Driving Gear Assembly (continued)

| <i>Ref.</i> | <i>Part Number</i> | <i>Qty.</i> | <i>Description</i> | <i>Ref.</i> | <i>Part Number</i> | <i>Qty.</i> | <i>Description</i> |
|-------------|--------------------|-------------|--------------------|-------------|--------------------|-------------|--------------------|
| 1 | 135-4108 | 6 | Tappet | 13 | 135-4147 | 3 | Bolt |
| 2 | 135-4109 | 6 | Push-Rod | 14 | 125-7020 | 4 | Bolt |
| 3 | 135-4110 | 1 | Camshaft ASM | 15 | 135-4148 | 1 | Gear-Pump |
| 8 | 125-7206 | 2 | Bolt | 16 | 135-4149 | 1 | Bushing-Gear, Idle |
| 9 | 135-4145 | 1 | Shaft-Idle | 17 | 135-4150 | 1 | Flange |
| 10 | 135-4146 | 1 | Idle Gear ASM | | | | |

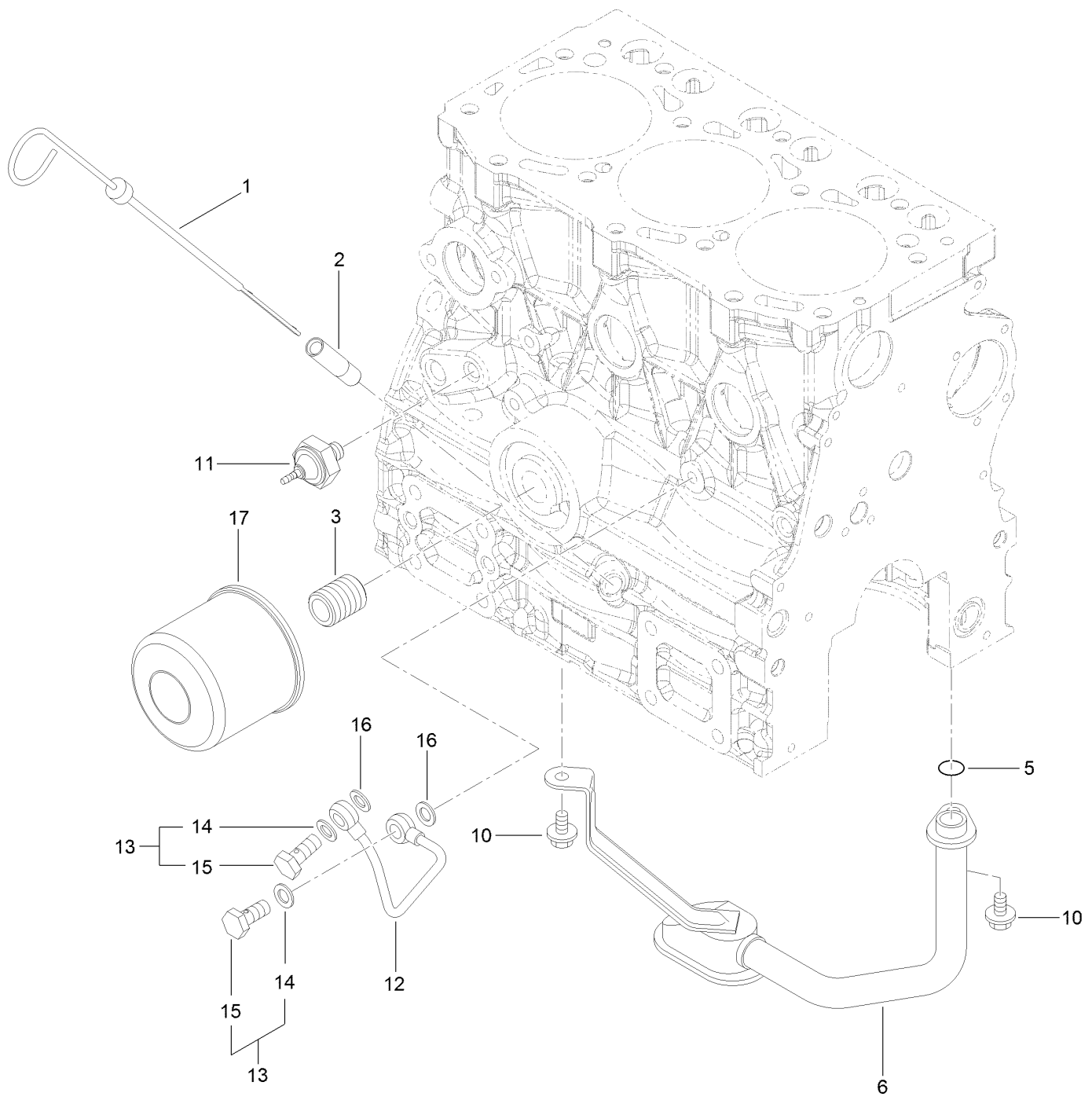
Crankshaft and Piston Assembly



Crankshaft and Piston Assembly (continued)

| <i>Ref.</i> | <i>Part Number</i> | <i>Qty.</i> | <i>Description</i> | <i>Ref.</i> | <i>Part Number</i> | <i>Qty.</i> | <i>Description</i> |
|-------------|--------------------|-------------|----------------------|-------------|--------------------|-------------|----------------------|
| 1 | 135-4152 | 1 | Crankshaft ASM | 16 | 135-4163 | 3 | Piston ASM |
| 2 | 125-6995 | 1 | Pin | 18 | 135-4164 | 3 | Ring ASM |
| 4 | 135-4153 | 1 | Gear-Crankshaft | 22 | 135-4165 | 3 | Pin-Piston |
| 5 | 135-4154 | 1 | Key | 23 | 135-4166 | 6 | Ring |
| 7 | 125-6951 | 5 | Bolt | 24 | 134-4005 | 3 | Connecting Rod ASM |
| 8 | 140-7164 | 1 | Flywheel ASM | 27 | 135-4168 | 6 | Bolt-Rod, Connecting |
| 10 | 125-6943 | 1 | Gear | 28 | 135-4169 | 3 | Bearing-Pin, Crank |
| 11 | 135-4158 | 1 | V-Pulley, Crankshaft | 30 | 134-4006 | 3 | Bushing-Pin, Piston |
| 12 | 135-4159 | 1 | Bolt-Flange | 31 | 135-4171 | 3 | Bearing-Pin (0.25) |
| 13 | 134-4004 | 1 | Packing-Washer | 33 | 134-4007 | 3 | Piston ASM (0.25 Os) |
| 14 | 135-4161 | 1 | Washer | 34 | 135-4173 | 3 | Ring ASM |
| 15 | 135-4154 | 1 | Key | | | | |

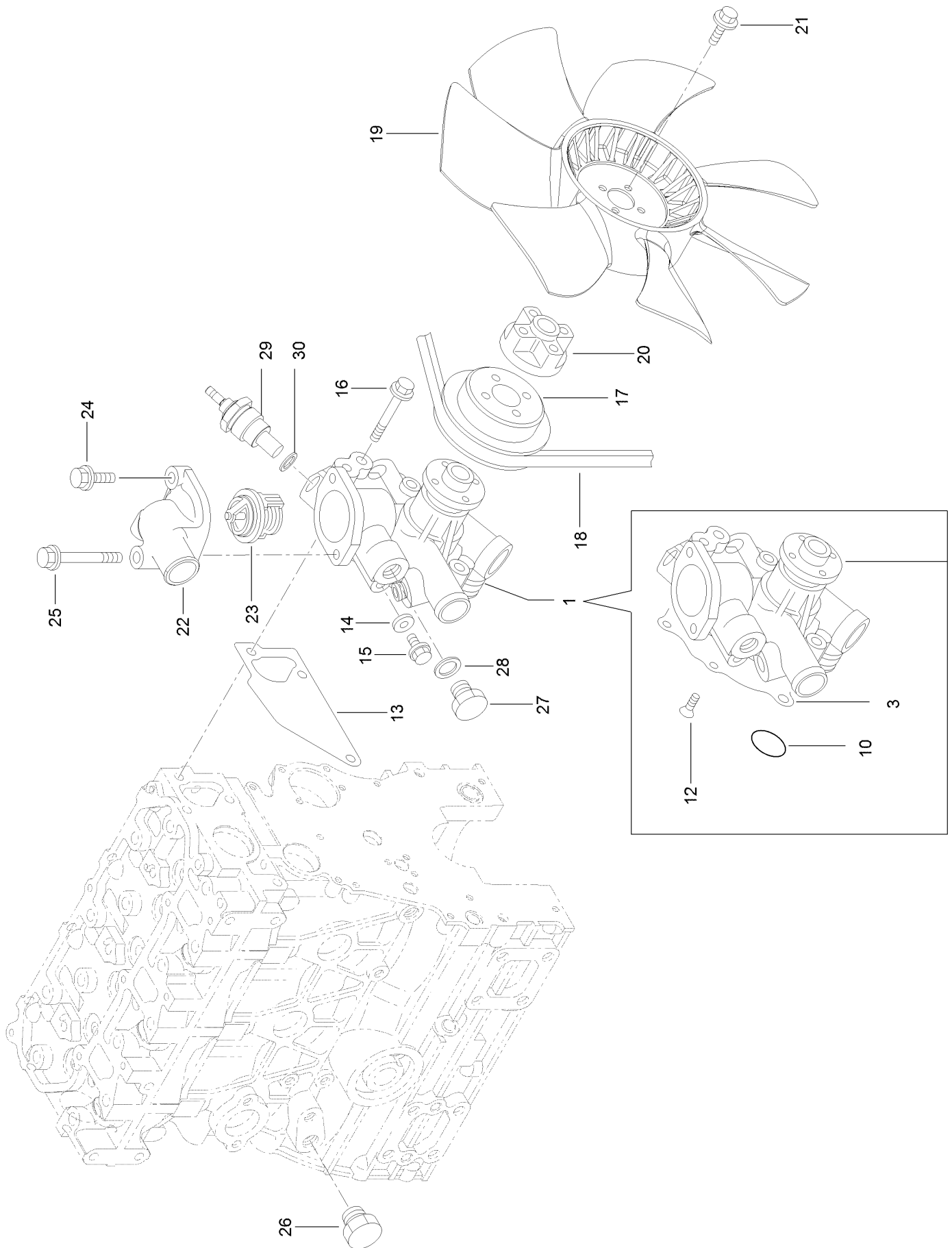
Lubrication and Oil System Assembly



Lubrication and Oil System Assembly (continued)

| <i>Ref.</i> | <i>Part Number</i> | <i>Qty.</i> | <i>Description</i> | <i>Ref.</i> | <i>Part Number</i> | <i>Qty.</i> | <i>Description</i> |
|-------------|--------------------|-------------|--------------------|-------------|--------------------|-------------|--------------------|
| 1 | 134-1413 | 1 | Dipstick | 12 | 135-4182 | 1 | Pipe-Oil |
| 2 | 125-6954 | 1 | Guide-Dipstick | 13 | 125-6988 | 2 | Joint Bolt ASM |
| 3 | 134-4008 | 1 | Stud | 14 | 125-7174 | 2 | Washer-Seal |
| 5 | 135-4178 | 1 | O-Ring | 15 | 125-7194 | 2 | Bolt-Joint |
| 6 | 134-1414 | 1 | Oil Inlet Pipe ASM | 16 | 125-7174 | 2 | Washer-Seal |
| 10 | 125-7205 | 2 | Bolt | 17 | 135-4181 | 1 | Filter-Oil, Engine |
| 11 | 134-1377 | 1 | Switch-Hydraulic | | | | |

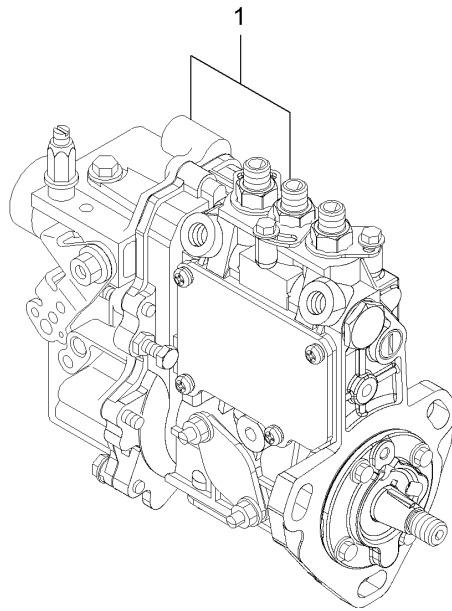
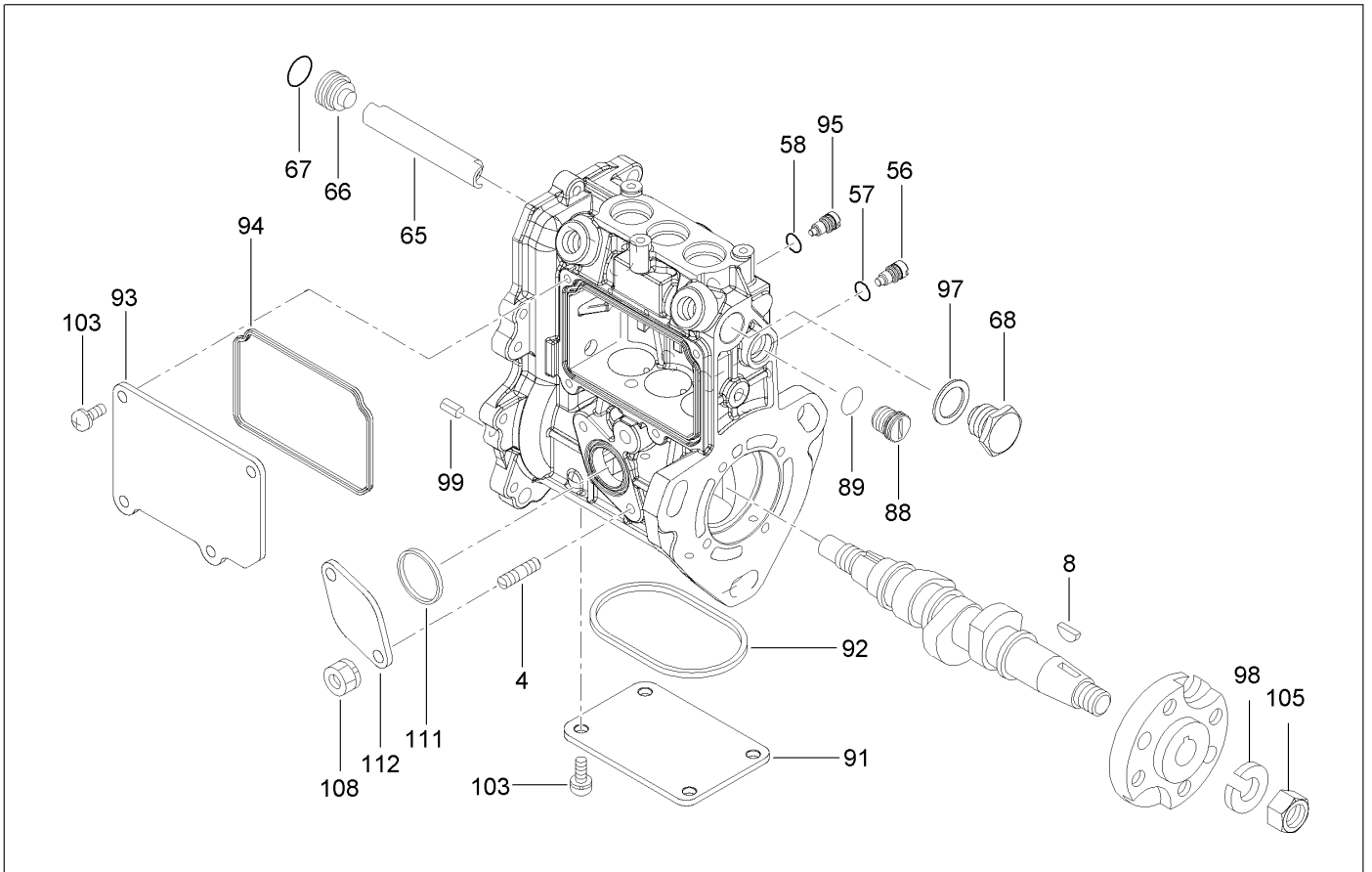
Cooling Water System Assembly



Cooling Water System Assembly (continued)

| <i>Ref.</i> | <i>Part Number</i> | <i>Qty.</i> | <i>Description</i> | <i>Ref.</i> | <i>Part Number</i> | <i>Qty.</i> | <i>Description</i> |
|-------------|--------------------|-------------|--------------------|-------------|--------------------|-------------|--------------------|
| 1 | 134-4009 | 1 | CW Pump ASM | 20 | 131-2705 | 1 | Spacer |
| 3 | 135-4188 | 1 | Gasket | 21 | 131-2739 | 4 | Bolt |
| 10 | 135-4190 | 1 | O-Ring | 22 | 135-4199 | 1 | Cover-Thermostat |
| 12 | 133-2504 | 4 | Screw | 23 | 135-4200 | 1 | Thermostat |
| 13 | 135-4193 | 1 | Gasket-Pump, Water | 24 | 135-4201 | 1 | Bolt |
| 14 | 125-7192 | 1 | Gasket | 25 | 135-4202 | 1 | Bolt |
| 15 | 125-7212 | 1 | Bolt | 26 | 125-7171 | 1 | Plug-Drain |
| 16 | 125-7220 | 3 | Bolt | 27 | 125-6953 | 1 | Plug |
| 17 | 134-1417 | 1 | V-Pulley | 28 | 125-6979 | 1 | Gasket |
| 18 | 140-7179 | 1 | V-Belt | 29 | 134-3128 | 1 | Sensor-Temperature |
| 19 | 140-7157 | 1 | Fan-Cooling | 30 | 134-4010 | 1 | Gasket |

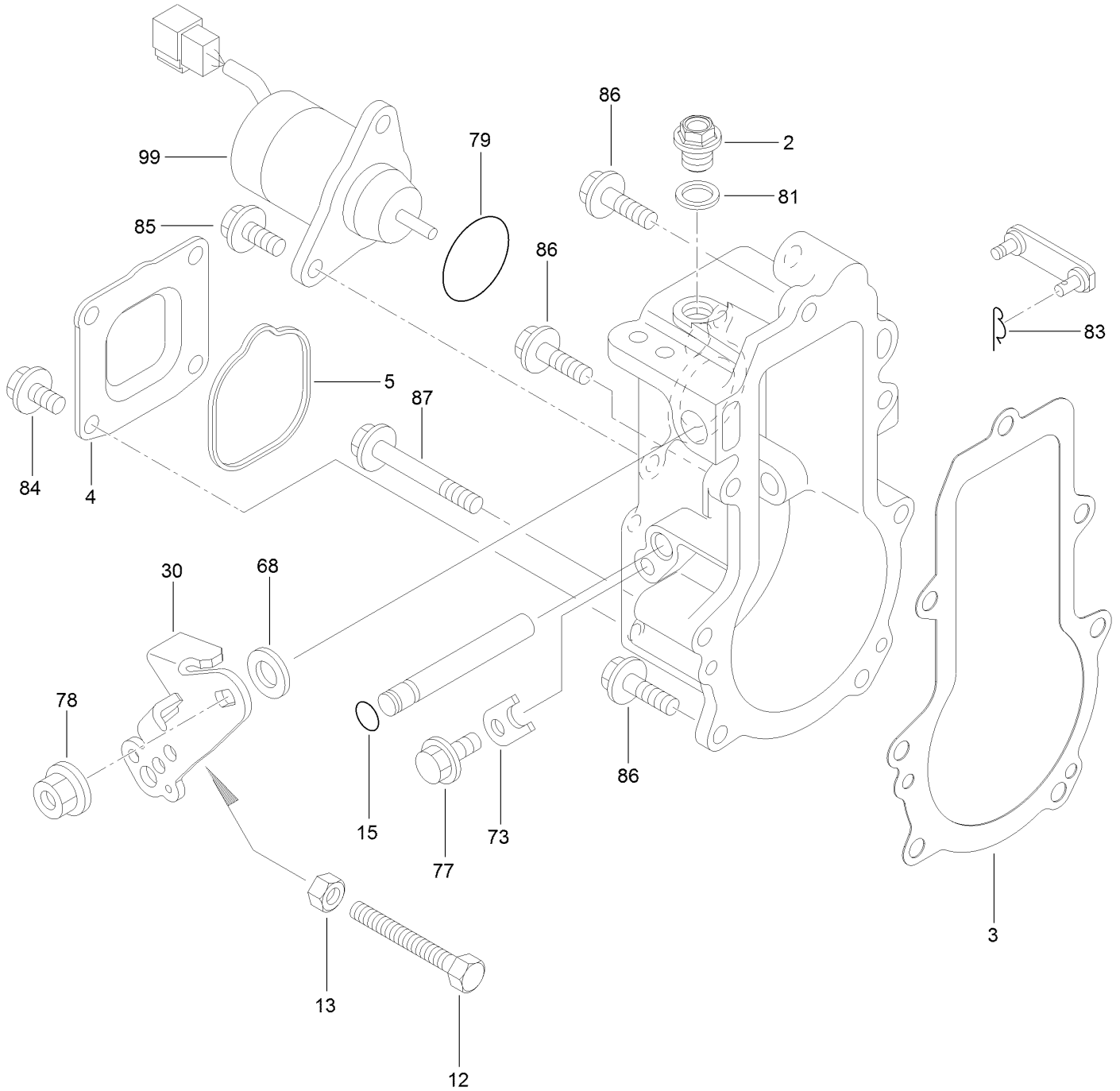
Fuel Injection Pump Assembly



Fuel Injection Pump Assembly (continued)

| <i>Ref.</i> | <i>Part Number</i> | <i>Qty.</i> | <i>Description</i> | <i>Ref.</i> | <i>Part Number</i> | <i>Qty.</i> | <i>Description</i> |
|-------------|--------------------|-------------|---------------------------------|-------------|--------------------|-------------|--------------------|
| 1 | 140-7183 | 1 | Fuel Injection Equipment ASM | 91 | 135-4215 | 1 | Cover |
| 4 | 135-4205 | 2 | Bolt-Stud | 92 | 135-4216 | 1 | Gasket |
| 8 | 135-4206 | 1 | Key-Feather, Woodruff | 93 | 135-4217 | 1 | Cover |
| 56 | 125-7156 | 3 | Stopper | 94 | 135-4218 | 1 | Gasket |
| 57 | 135-4207 | 3 | O-Ring | 95 | 135-4219 | 1 | Stopper-Rack |
| 58 | 135-4207 | 1 | O-Ring | 97 | 136-8236 | 1 | Washer-Seal |
| 65 | 135-4209 | 1 | Deflector | 98 | 135-4220 | 1 | Washer-Spring |
| 66 | 135-4210 | 1 | Plug-Deflector | 99 | 125-7183 | 2 | Pin-Spring |
| 67 | 135-4211 | 1 | O-Ring | 103 | 135-4221 | 8 | Screw |
| 68 | 135-4212 | 1 | Plug-Deflector | 105 | 133-2506 | 1 | Nut |
| 88 | 135-4213 | 1 | Plug-Rack | 108 | 135-4222 | 2 | Nut |
| 89 | 135-4214 | 1 | O-Ring | 111 | 135-4223 | 1 | Gasket |
| | | | | 112 | 135-4224 | 1 | Cover-Pump |

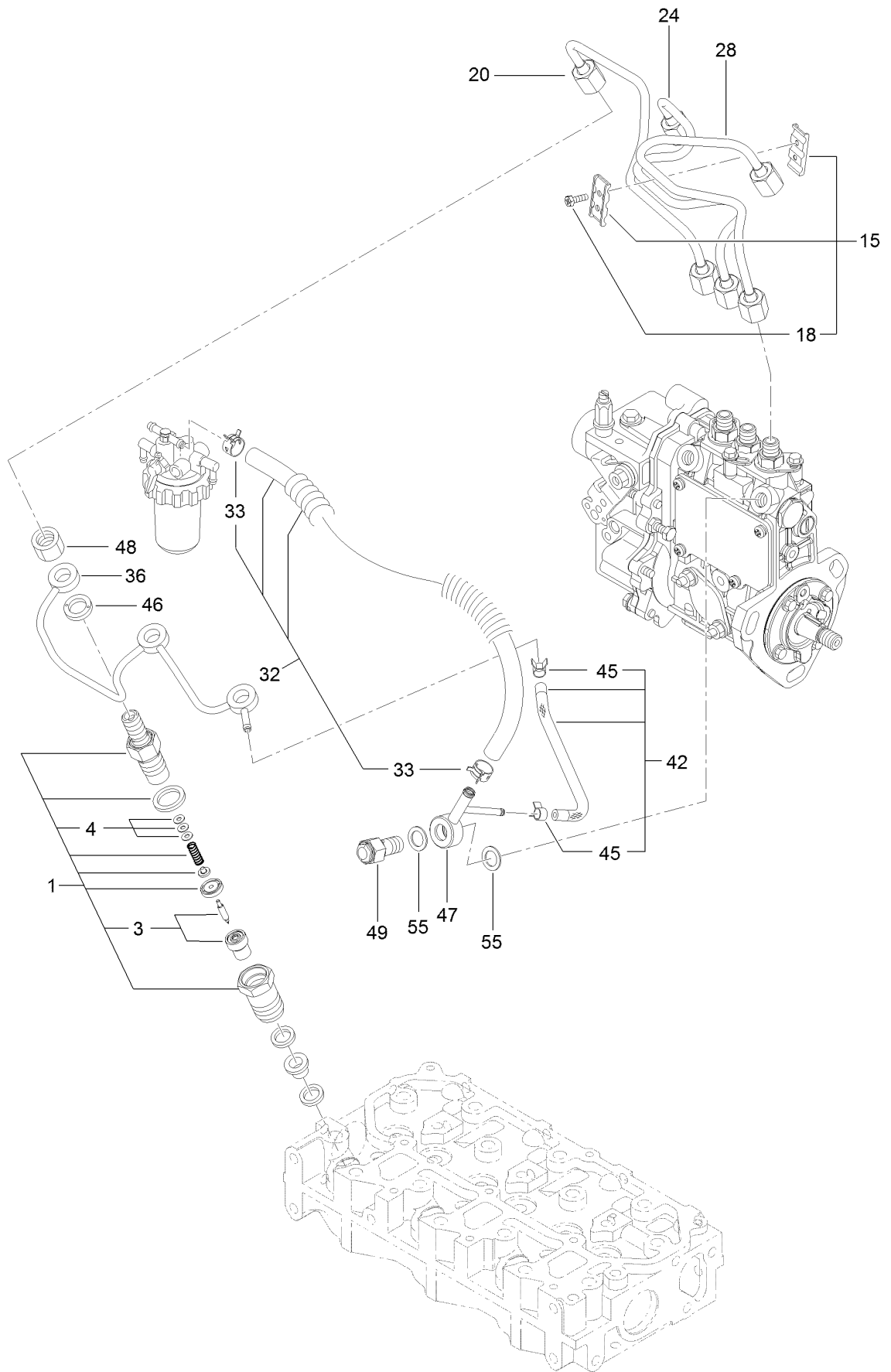
Governor Assembly



Governor Assembly (continued)

| <i>Ref.</i> | <i>Part Number</i> | <i>Qty.</i> | <i>Description</i> | <i>Ref.</i> | <i>Part Number</i> | <i>Qty.</i> | <i>Description</i> |
|-------------|--------------------|-------------|----------------------|-------------|--------------------|-------------|--------------------|
| 2 | 135-4226 | 1 | Plug | 77 | 125-7205 | 1 | Bolt |
| 3 | 135-4227 | 1 | Gasket | 78 | 134-4012 | 1 | Nut-M8 |
| 4 | 140-7159 | 1 | Cover-Case, Governor | 79 | 134-1520 | 1 | O-Ring |
| 5 | 134-1435 | 1 | Gasket | 81 | 125-7175 | 1 | Washer-Seal |
| 12 | 134-4013 | 1 | Bolt-Limit, Idle | 83 | 134-1529 | 1 | Pin |
| 13 | 134-4014 | 1 | Nut | 84 | 125-7205 | 4 | Bolt |
| 15 | 135-4207 | 1 | O-Ring | 85 | 125-7207 | 2 | Bolt |
| 30 | 134-1385 | 1 | Lever-Control | 86 | 125-7209 | 4 | Bolt |
| 68 | 134-1518 | 1 | Shim Set | 87 | 136-8256 | 3 | Bolt |
| 73 | 134-1395 | 1 | Stopper-Shaft | 99 | 140-7172 | 1 | Stop-Solenoid |

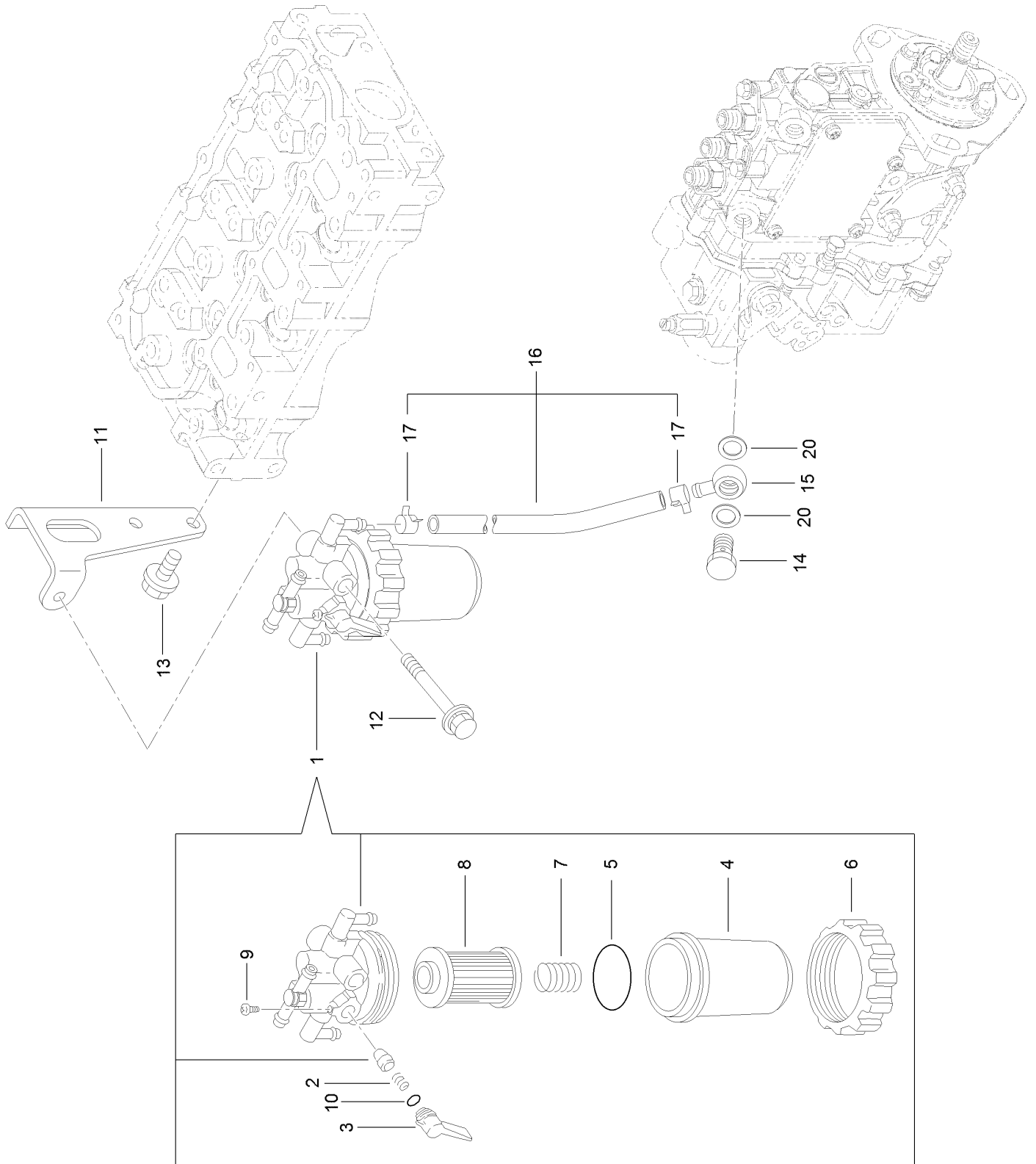
Fuel Injection Valve Assembly



Fuel Injection Valve Assembly (continued)

| <i>Ref.</i> | <i>Part Number</i> | <i>Qty.</i> | <i>Description</i> | <i>Ref.</i> | <i>Part Number</i> | <i>Qty.</i> | <i>Description</i> |
|-------------|--------------------|-------------|--------------------|-------------|--------------------|-------------|--------------------|
| 1 | 135-4229 | 3 | Nozzle ASM | 33 | 140-7167 | 2 | Clamp-Hose (11.5) |
| 3 | 135-4230 | 3 | Nozzle ASM | 36 | 134-1431 | 1 | Return Pipe ASM |
| 4 | 135-4231 | 3 | Adjusting Shim Set | 42 | 140-7155 | 1 | Fuel Pipe ASM |
| 15 | 134-1488 | 1 | Retainer-Pipe | 45 | 125-6970 | 2 | Clip |
| 18 | 125-7027 | 2 | Bolt | 46 | 135-4237 | 3 | Gasket |
| 20 | 135-4233 | 1 | Pipe ASM (Inj No1) | 47 | 135-4239 | 1 | Joint-Over Flow |
| 24 | 135-4234 | 1 | Pipe ASM (Inj No2) | 48 | 135-4240 | 3 | Nut-Nozzle |
| 28 | 135-4235 | 1 | Pipe ASM (Inj No3) | 49 | 135-4241 | 1 | Check Valve ASM |
| 32 | 140-7154 | 1 | Fuel Pipe ASM | 55 | 125-7176 | 2 | Washer-Seal |

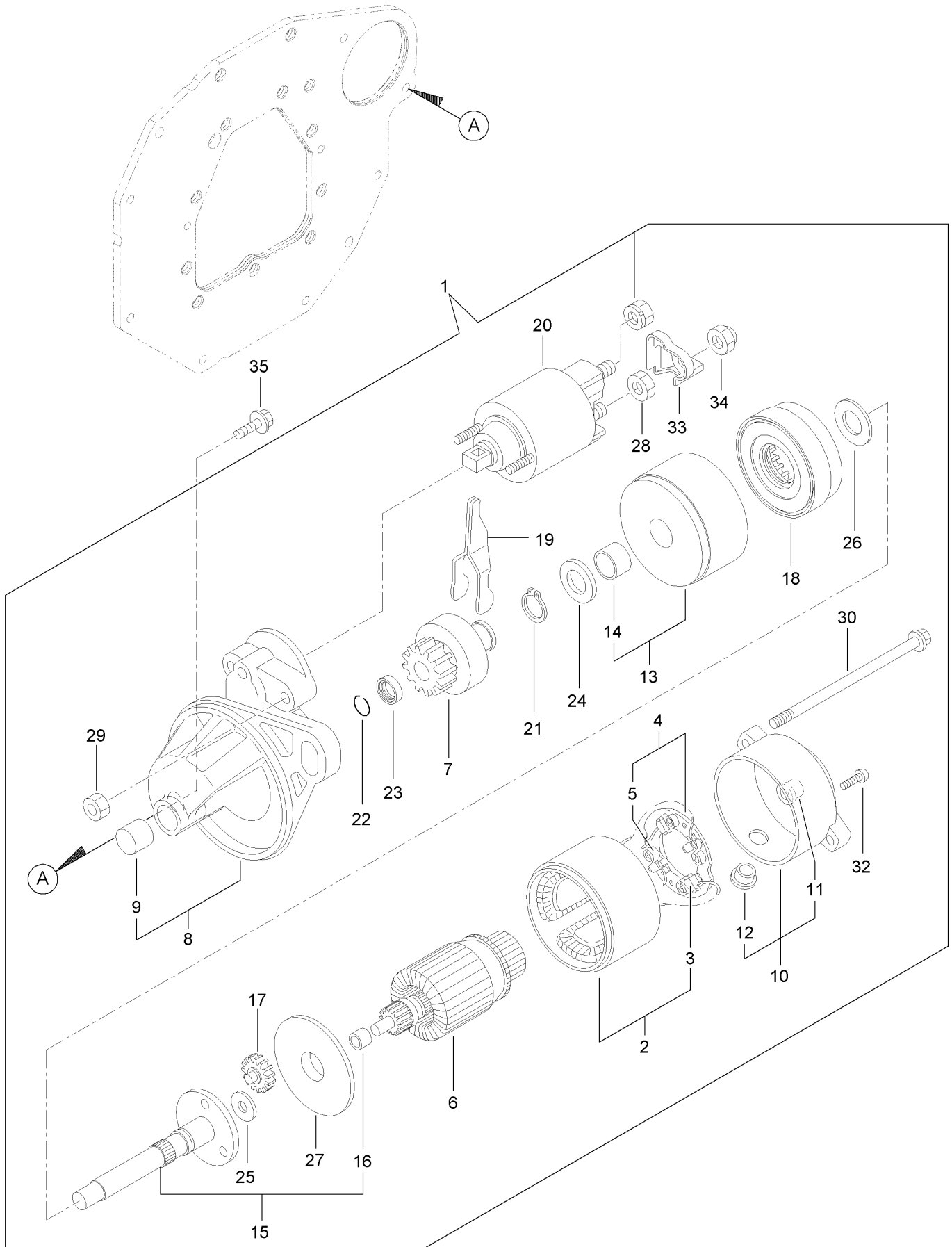
Fuel Pipe Assembly



Fuel Pipe Assembly (continued)

| <i>Ref.</i> | <i>Part Number</i> | <i>Qty.</i> | <i>Description</i> | <i>Ref.</i> | <i>Part Number</i> | <i>Qty.</i> | <i>Description</i> |
|-------------|--------------------|-------------|----------------------|-------------|--------------------|-------------|--------------------|
| 1 | 139-6234 | 1 | Fuel Filter ASM | 10 | 134-1535 | 1 | O-Ring |
| 2 | 134-1373 | 1 | Spring-Valve, Fuel | 11 | 140-7158 | 1 | Bracket, Filter |
| 3 | 134-1454 | 1 | Lever-Fuel | 12 | 140-7180 | 1 | Bolt |
| 4 | 134-1459 | 1 | Cup-Strainer, Fuel | 13 | 125-7214 | 2 | Bolt |
| 5 | 134-1371 | 1 | O-Ring | 14 | 135-4242 | 1 | Bolt-Joint, Pipe |
| 6 | 134-1376 | 1 | Ring-Retaining, Cup | 15 | 135-4243 | 1 | Joint-Pipe |
| 7 | 134-1458 | 1 | Spring-Element | 16 | 140-7153 | 1 | Fuel Pipe ASM |
| 8 | 134-3085 | 1 | Element-Filter, Fuel | 17 | 140-7167 | 2 | Clamp-Hose (11.5) |
| 9 | 134-1375 | 1 | Screw-Pan | 20 | 125-7176 | 2 | Washer-Seal |

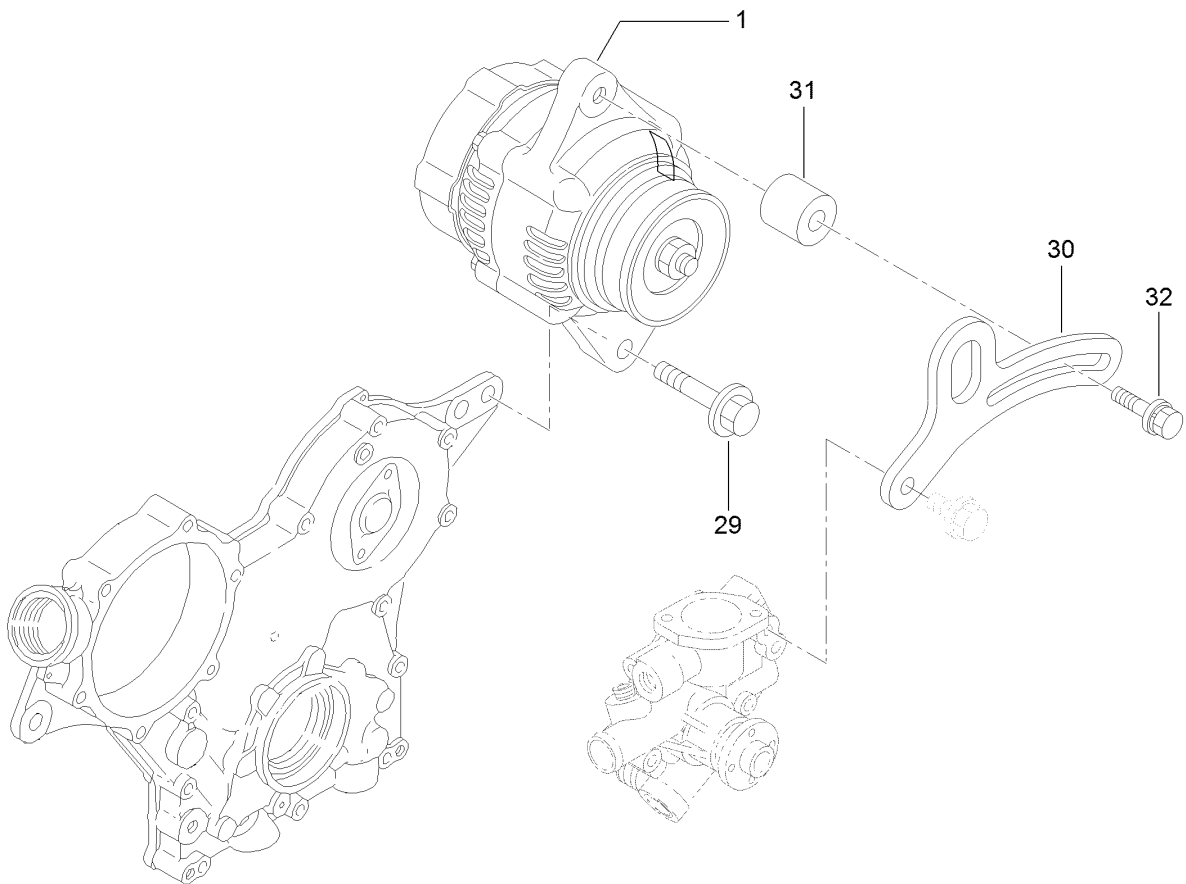
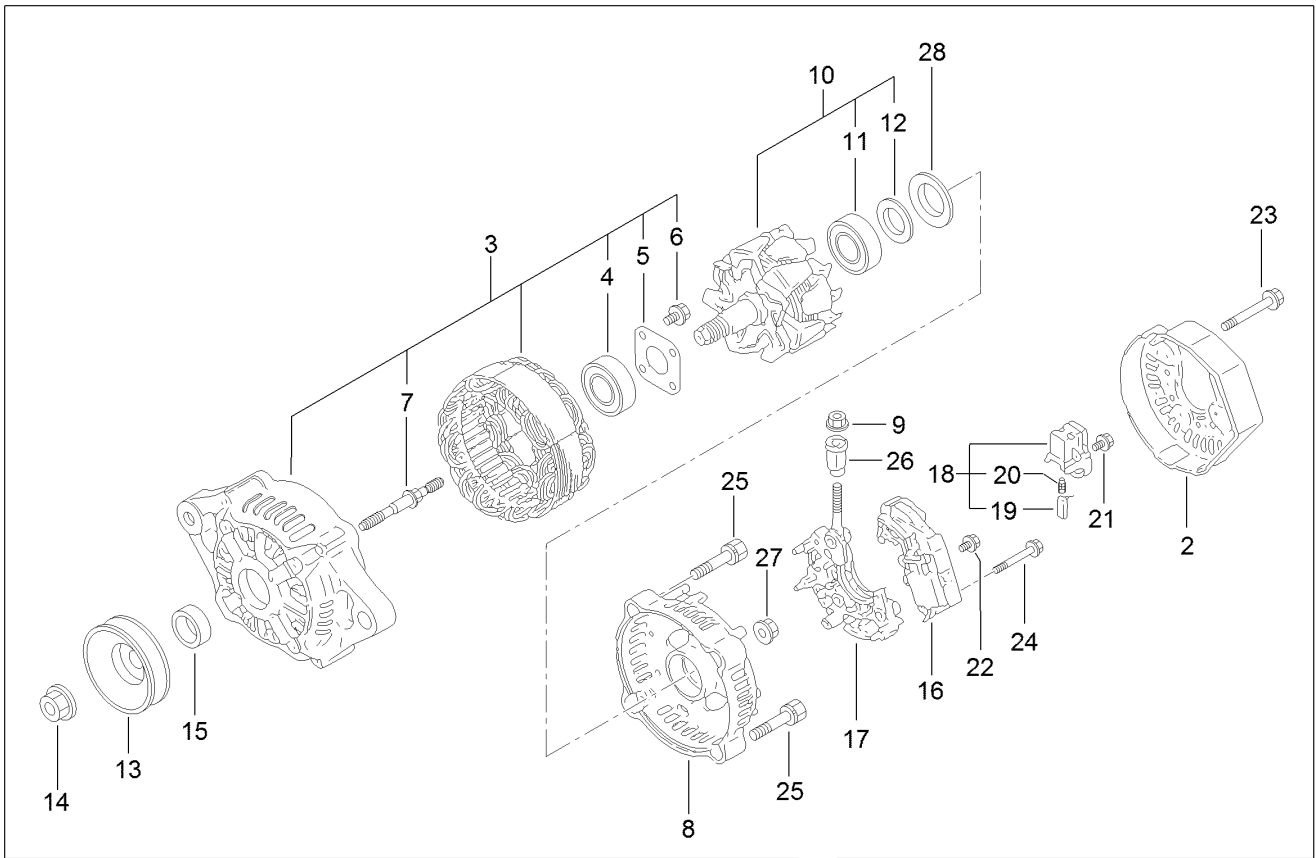
Starter Motor Assembly



Starter Motor Assembly (continued)

| <i>Ref.</i> | <i>Part Number</i> | <i>Qty.</i> | <i>Description</i> | <i>Ref.</i> | <i>Part Number</i> | <i>Qty.</i> | <i>Description</i> |
|-------------|--------------------|-------------|--------------------|-------------|--------------------|-------------|--------------------|
| 1 | 135-4244 | 1 | Starter ASM | 18 | 135-4261 | 1 | Gear |
| 2 | 135-4245 | 1 | Yoke ASM | 19 | 135-4262 | 1 | Lever |
| 3 | 135-4246 | 2 | Starter Kit | 20 | 135-4263 | 1 | Switch ASM |
| 4 | 135-4247 | 1 | Holder ASM | 21 | 135-4264 | 1 | Ring |
| 5 | 135-4248 | 4 | Spring | 22 | 135-4265 | 1 | Ring |
| 6 | 135-4249 | 1 | Armature ASM | 23 | 135-4266 | 1 | Nut |
| 7 | 135-4250 | 1 | Clutch ASM | 24 | 135-4267 | 1 | Washer |
| 8 | 135-4251 | 1 | Housing ASM | 25 | 135-4268 | 1 | Washer |
| 9 | 135-4252 | 1 | Bearing-Needle | 26 | 135-4269 | 1 | Washer |
| 10 | 135-4253 | 1 | Frame ASM | 27 | 135-4270 | 1 | Plate |
| 11 | 135-4254 | 1 | Bearing | 28 | 135-4271 | 1 | Nut |
| 12 | 135-4255 | 1 | Cover | 29 | 135-4272 | 2 | Nut |
| 13 | 135-4256 | 1 | Bearing ASM | 30 | 135-4273 | 2 | Bolt-Through |
| 14 | 135-4257 | 1 | Bearing | 32 | 135-4274 | 2 | Screw |
| 15 | 135-4258 | 1 | Shaft ASM | 33 | 135-4275 | 1 | Cover-Terminal |
| 16 | 135-4259 | 1 | Bearing | 34 | 135-4276 | 1 | Nut |
| 17 | 135-4260 | 3 | Gear | 35 | 133-2496 | 2 | Bolt |

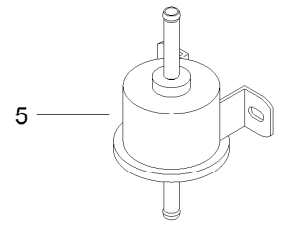
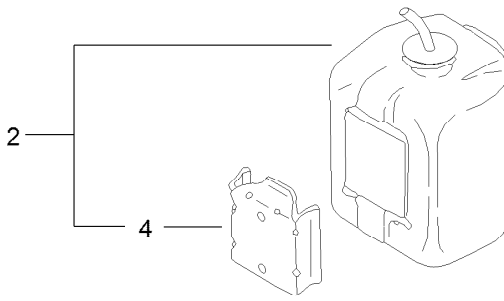
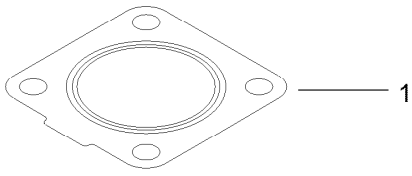
Generator Assembly



Generator Assembly (continued)

| <i>Ref.</i> | <i>Part Number</i> | <i>Qty.</i> | <i>Description</i> | <i>Ref.</i> | <i>Part Number</i> | <i>Qty.</i> | <i>Description</i> |
|-------------|--------------------|-------------|----------------------|-------------|--------------------|-------------|--------------------|
| 1 | 140-7162 | 1 | Alternator (12V-40A) | 17 | 127-2963 | 1 | Holder |
| 2 | 127-2999 | 1 | Cover | 18 | 127-2993 | 1 | Holder |
| 3 | 135-4025 | 1 | Frame ASM | 19 | 127-2956 | 2 | Brush ASM |
| 4 | 127-2958 | 1 | Bearing-Ball | 20 | 127-2964 | 2 | Spring |
| 5 | 127-2959 | 1 | Plate-Retainer | 21 | 127-2965 | 6 | Screw |
| 6 | 127-2960 | 4 | Screw | 22 | 127-2966 | 1 | Screw |
| 7 | 127-2961 | 2 | Stud | 23 | 127-2967 | 3 | Bolt |
| 8 | 140-7163 | 1 | Rear Frame ASM | 24 | 127-2968 | 2 | Screw |
| 9 | 127-3190 | 1 | Nut | 25 | 127-2969 | 2 | Bolt |
| 10 | 127-2951 | 1 | Rotor ASM | 26 | 127-2970 | 1 | Bushing-Insulation |
| 11 | 127-2983 | 1 | Bearing-Ball | 27 | 127-2971 | 2 | Nut |
| 12 | 127-2962 | 1 | Cover | 28 | 127-2972 | 1 | Washer |
| 13 | 127-2954 | 1 | Pulley | 29 | 135-4277 | 1 | Bolt |
| 14 | 127-2955 | 1 | Nut | 30 | 140-7151 | 1 | Adjuster-Belt |
| 15 | 127-2957 | 1 | Collar | 31 | 140-7166 | 1 | Spacer-Adjuster |
| 16 | 134-4018 | 1 | Regulator ASM | 32 | 125-7134 | 1 | Bolt |

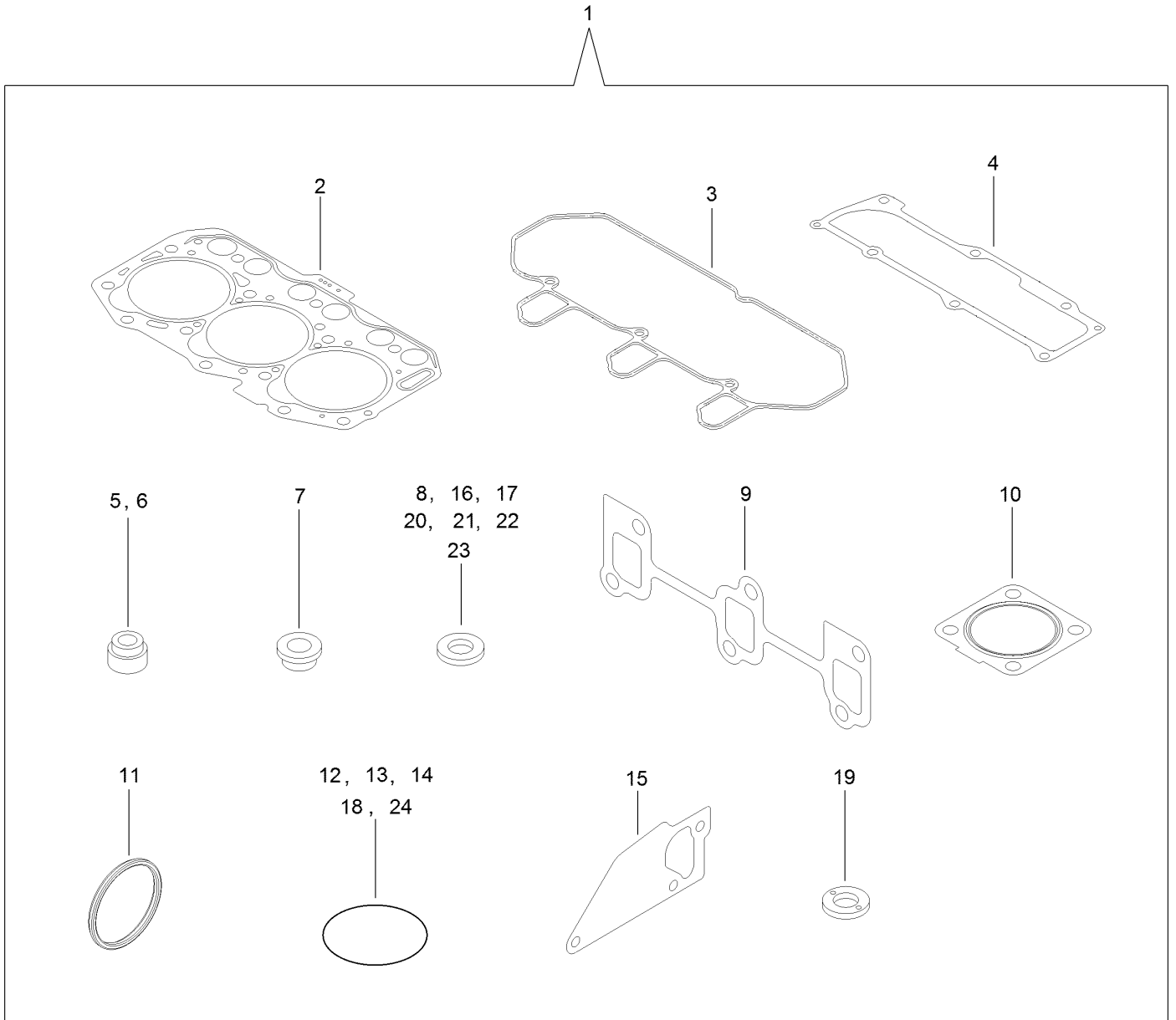
Accessory Assembly



Accessory Assembly (continued)

| <i>Ref.</i> | <i>Part Number</i> | <i>Qty.</i> | <i>Description</i> | <i>Ref.</i> | <i>Part Number</i> | <i>Qty.</i> | <i>Description</i> |
|-------------|--------------------|-------------|--------------------|-------------|--------------------|-------------|---------------------|
| 1 | 134-1383 | 1 | Gasket-Silencer | 5 | 121-5613 | 1 | Pump-Fuel, Electric |
| 2 | 140-7185 | 1 | Tank ASM | 11 | 134-1507 | 1 | Timer |
| 4 | 140-7165 | 1 | Bracket-Tank | | | | |

Gasket Set



Gasket Set (continued)

| <i>Ref.</i> | <i>Part Number</i> | <i>Qty.</i> | <i>Description</i> | <i>Ref.</i> | <i>Part Number</i> | <i>Qty.</i> | <i>Description</i> |
|-------------|--------------------|-------------|--------------------------------|-------------|--------------------|-------------|--------------------|
| 1 | 140-7184 | 1 | Gasket Set | 13 | 135-4058 | 2 | O-Ring |
| 2 | 135-4038 | 1 | Head Gasket Set | 14 | 135-4178 | 1 | O-Ring |
| 3 | 135-4093 | 1 | Gasket-Cover, Cylinder Head | 15 | 135-4193 | 1 | Gasket-Pump, Water |
| 4 | 135-4095 | 1 | Gasket | 16 | 125-6979 | 1 | Gasket |
| 5 | 125-6915 | 3 | Seal-Stem, Valve | 17 | 134-4010 | 1 | Gasket |
| 6 | 125-6916 | 3 | Seal-Stem, Valve | 18 | 125-6957 | 1 | O-Ring |
| 7 | 135-4069 | 3 | Protector-Nozzle | 19 | 135-4237 | 3 | Gasket |
| 8 | 135-4070 | 6 | Gasket-Nozzle | 20 | 125-7174 | 4 | Washer-Seal |
| 9 | 135-4107 | 1 | Gasket-Manifold, Exhaust | 21 | 125-7176 | 4 | Washer-Seal |
| 10 | 134-1383 | 1 | Gasket-Silencer | 22 | 136-8236 | 1 | Washer-Seal |
| 11 | 134-4004 | 1 | Packing-Washer | 23 | 125-7192 | 1 | Gasket |
| 12 | 127-2973 | 1 | O-Ring | 24 | 125-7197 | 2 | O-Ring |

Attachments and Accessories

For 31900 Groundsmaster 3200 2-Wheel Drive Traction Unit

| Product Name | Model/Part |
|--|-------------|
| Blade Crate (Snowplow), ATV Poly S | STB13567B |
| Slope Sensor Kit..... | 31952 |
| CE Kit, Groundsmaster 3200 or 3300 Series Traction Unit..... | 31953 |
| CE Kit, Groundsmaster 3200 or 3300 Series 60in Side Discharge Rotary Mower..... | 31957 |
| CE Kit, Groundsmaster 3200 or 3300 Series 72in Side Discharge Rotary Mower..... | 31958 |
| 42-Pound Weight..... | 114-4096 |
| CE Kit, Groundsmaster 3200 or 3300 Series 60in Rear Discharge Rotary Mower | 31959 |
| CE Kit, Groundsmaster 3200 or 3300 Series 72in Rear Discharge Rotary Mower | 31960 |
| Auxiliary HYD Kit | 31966 |
| 60in SD Deck..... | 31970 |
| 60in RD Deck..... | 31971 |
| 72in SD Deck..... | 31972 |
| White Universal Sunshade | 30669 |
| 72in RD Deck..... | 31973 |
| Red Universal Sunshade | 30671 |
| 60in RD Deck, T2 | 31974 |
| Operator Cooling Fan | 03247 |
| 72in RD Deck, T2 | 31975 |
| Switch Panel-Universal Sunshade..... | 03248 |
| Recycler Kit 60in/152cm SD | 31976 |
| Beacon Kit | 138-2699 |
| Recycler Kit, 60In/152cm RD..... | 31977 |
| Sunshade Work Lights Kit..... | 138-2700 |
| Recycler Kit, 72In/183cm SD | 31978 |
| Recycler Kit, 72In/183cm RD..... | 31979 |
| Seat Assembly - Standard | 31980 |
| Seat Assembly - Mechanical Suspension | 31981 |
| Seat Assembly - Air Ride Suspension..... | 31982 |
| Storage Box Kit..... | 31983 |
| USB Charging Kit..... | 31984 |
| Recycler Kit 60in/152cm Rd T2..... | 31985 |
| Recycler Kit 72in/183cm Rd T2..... | 31986 |
| Cab-Winter, GM3000 Series..... | 31990 |
| Road Light Kit (North America) | 31991 |
| Road Light Kit (EU)..... | 31992 |
| Accessory Control Kit | 31994 |
| LED Beacon Kit | 31996 |
| Led Work-light Kit (GM3200/3300, Rops) | 31997 |
| 15-Pound Cast Weight..... | 112-7059-01 |
| PX Hydraulic Fluid (55 Gal)..... | 133-8087 |
| PX Hydraulic Fluid (5 Gal) | 133-8086 |
| Premium Synthetic Bio-Degradable Hydraulic Fluid (55 Gallon Drum)..... | 119-2158 |
| Premium Synthetic Bio-Degradable Hydraulic Fluid (5 Gallon Pail) | 119-2157 |
| Storage Bag Kit..... | 139-2020 |
| SMV Kit..... | 139-2339 |
| Wrench-Caster Cap/Latch | 138-6367 |

Attachments and Accessories (continued)

| | |
|--|----------|
| Filter-Air | 108-3811 |
| Element-Filter, Fuel | 134-3085 |
| Filter-Spin On, Fuel/Water | 110-9049 |
| Filter-Oil, Transmission..... | 86-3010 |
| Filter-Oil, Engine..... | 135-4181 |
| Hydraulic Hose Kit | 31999 |
| Power Harness Kit..... | 140-1559 |
| Kit-Weight | 144-0480 |
| Plate-Weight, 25 LBS | 144-0484 |
| Toro Red 12oz Aerosol Can | 361-10 |
| Paint-Black Bottle | 112-0176 |
| Paint-Red Pen | 112-0177 |
| Paint-Red Bottle | 112-0178 |
| Seat Cover (W/arm rest)..... | 117-0095 |
| Kit-Blade, Std (24.5) 3pk..... | 144-3911 |
| Kit-Blade, Med Flow (20.5) 3pk..... | 144-3912 |
| Kit-Blade, High Flow (20.5) 3pk | 144-3913 |
| Kit-Blade, Atomic (20.5) 3pk | 144-3914 |
| Kit-Blade, Low Flow (24.5) 3pk | 144-3915 |
| Kit-Blade, Recycling (24.5) 3pk..... | 144-3916 |
| Kit-Blade, Low Flow (20.5) 3pk | 144-3917 |
| Kit-Blade, Recycling (20.5) 3pk..... | 144-3918 |
| Kit-Blade-24.50 Low Flow 3pk | 144-3962 |
| Kit-Blade-24.50 Recycler 3pk | 144-3963 |
| Kit-Blade-20.50 Low Flow 3pk | 144-3964 |
| Kit-Blade-20.50 Recycler 3pk | 144-3965 |
| Kit-Blade-24.50 Atomic 3pk | 144-3966 |
| Kit-Blade-20.50 Atomic 3pk | 144-3967 |
| Vibration Reduction Kit, Groundsmaster 3200 Series Traction Unit | 144-3961 |
| Shim Tensioner Kit, Groundsmaster 3200 or 3300 Series Traction Unit | 144-4045 |
| Tube Replacement Kit, Groundsmaster 3200 or 3300 Series Traction Unit..... | 144-4047 |
| Boss Plow, 5ft Straight Blade | MSC23345 |
| Semi-Gloss Black Spray Paint..... | 361-9 |



Count on it.