



Count on it.

Parts Catalog

Bagger Kit

Z Master® 4000 Series Riding Mower

Model No. 78463—Serial No. 40000000 and Up



Ordering Replacement Parts

To order replacement parts, please supply the part number, the quantity, and the description of each part desired.

Understanding Reference Numbers

Each identified part in an illustration has a reference number. The reference number for a part also appears in the parts list, along with other information about the part.

This catalog uses two special reference number formats, one to indicate parts in a service assembly and another to indicate the quantity of a given part in an illustration.

Service Assembly Reference Numbers

Parts in service assemblies have reference numbers in the form a:b. The a represents the reference number of the entire service assembly and the b represents a sequential number unique to each part within the service assembly.

For example, a wheel assembly might be identified by reference number 6, the tire by 6:1, the valve by 6:2, and the wheel by 6:3. When you order the assembly identified by reference number 6, you receive all parts identified by reference numbers 6:1, 6:2, and 6:3. However, you may also order any part individually. Reference numbers of this type appear in illustration and in parts lists.

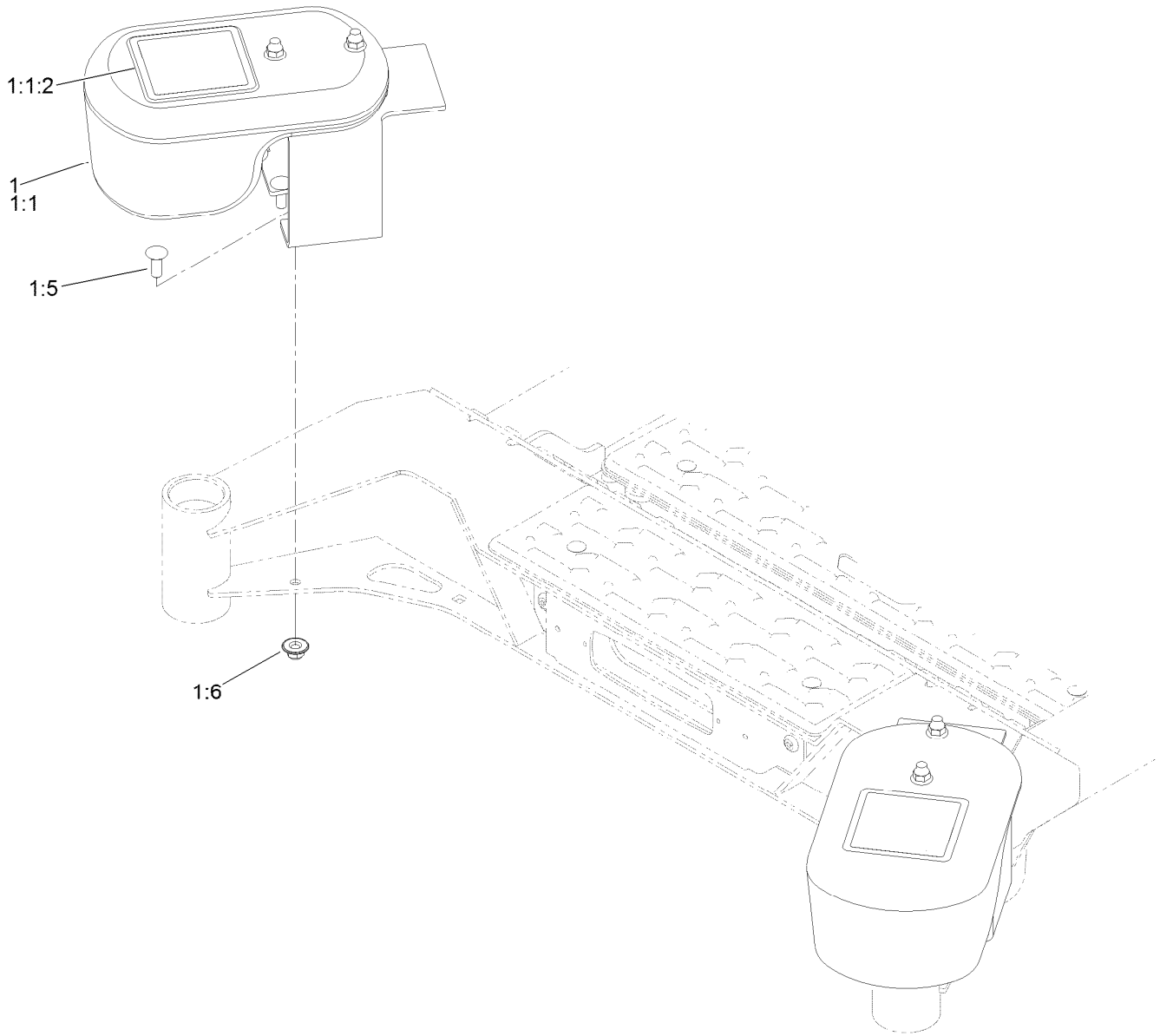
Reference Numbers Indicating Quantity

In an illustration, if a reference number indicates more than one part, the reference number has the form nX y. The n represents the quantity of the part, the X is the multiplication symbol, and the y represents the reference number.

For example, in an illustration, the reference number 2X 37 means that two of the parts identified by reference number 37 are indicated.

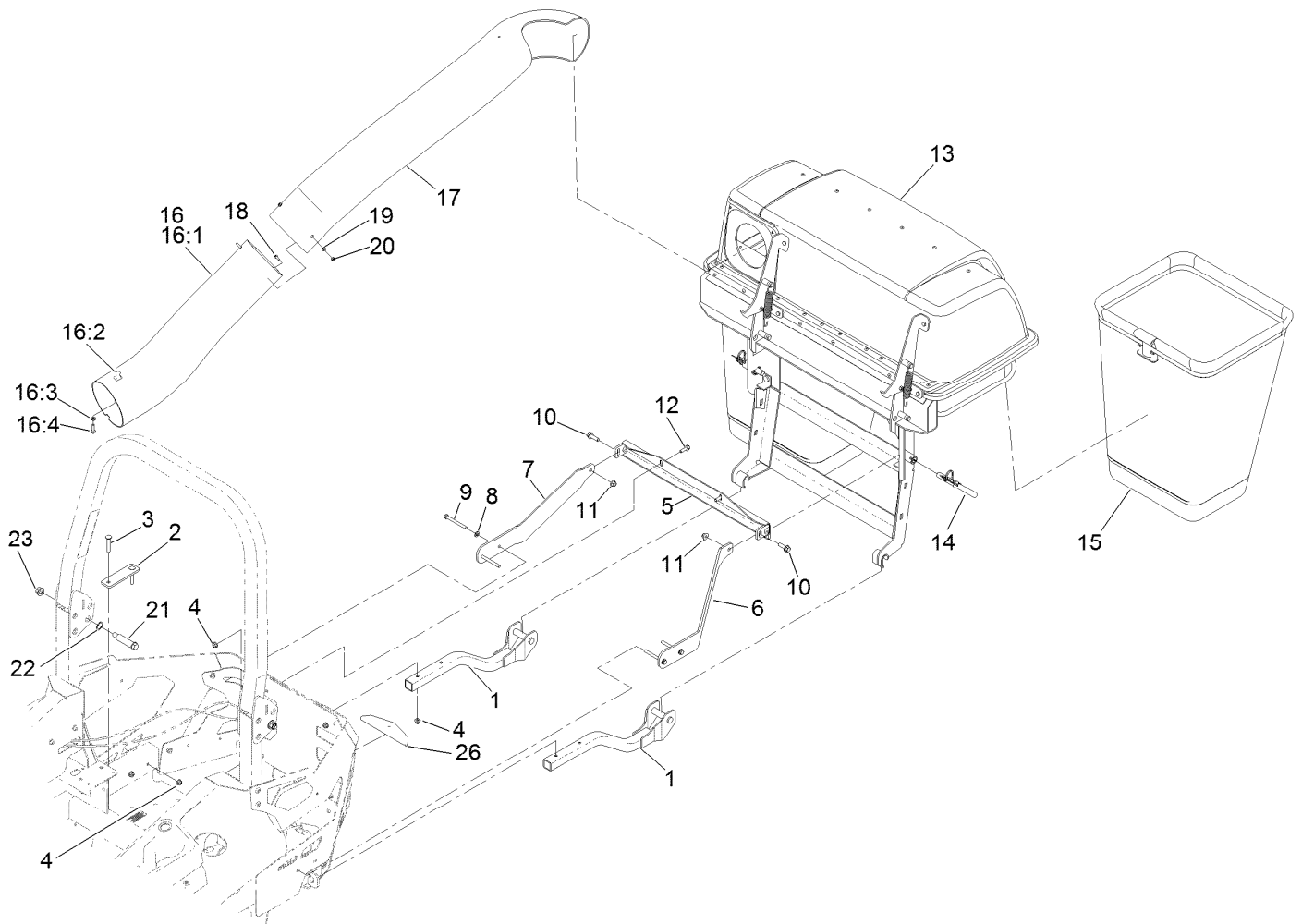
Contents

- Weight Assembly 4
- Bagger, Mount and Tube Assembly 5
- Twin Bag Hood Assembly No. 126-8579 6
- Bag Support Frame Assembly No. 103-5166 8
- Hood Assembly No. 112-2316 10
- Bag Assembly No. 116-0754 12



Weight Assembly

<i>Ref.</i>	<i>Part Number</i>	<i>Qty.</i>	<i>Description</i>
1	144-2660	2	ASM-Caster Weight
1:1	126-7639	1	Weight With Decal ASM
1:1:2	126-4662	1	Decal-Warning, Traction
1:5	3231-22	2	Screw-CARR
1:6	109-6658	2	Nut-Flange, NI

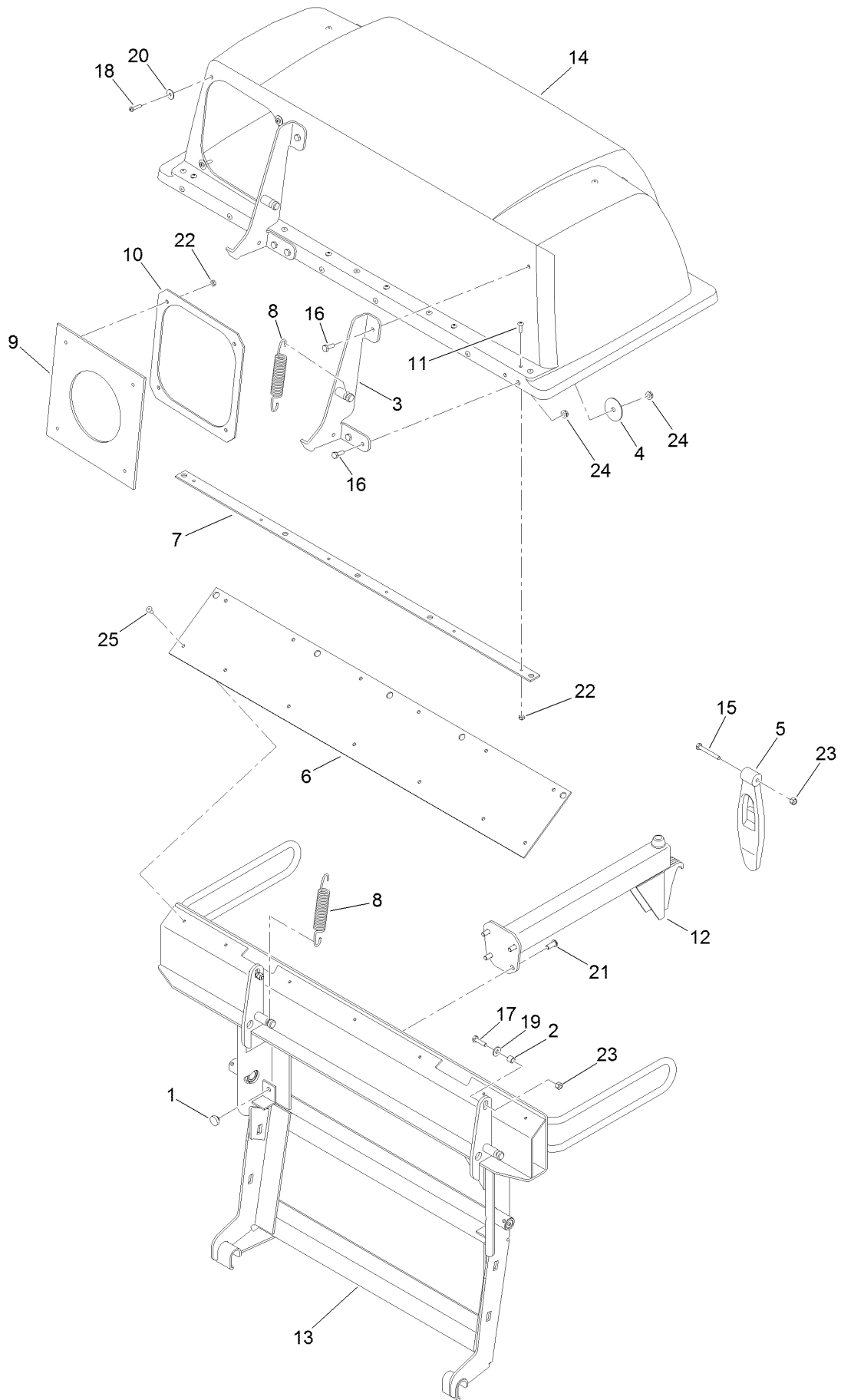


Bagger, Mount and Tube Assembly

Ref.	Part Number	Qty.	Description	Ref.	Part Number	Qty.	Description
1	144-0427-03	2	Support, Lower [black]	15	116-0754	2	Bag And Frame ASM
2	144-0426-01	2	Plate-Backer	16	116-4128	1	Lower Tube ASM
3	3230-7	4	Bolt-CARR	16:1	116-4495	1	Tube-Lower
4	104-8300	10	Nut-HF, NI	16:2	103-4081	2	Latch-Keeper ●
5	126-9262-03	1	Support-Bagger, Upper	16:3	3256-14	2	Washer-Flat
6	144-0425-01	1	Bracket-Upper, LH	16:4	3290-500	2	Screw-PPH
7	144-0423-01	1	Bracket-Upper, RH	17	109-2036	1	Tube-Upper
8	3256-23	4	Washer-Plain	18	32105-13	3	Screw-HWH
9	126-8742	4	Screw-HH	19	3256-14	3	Washer-Flat
10	119-4061	2	Screw-HHF	20	3296-2	3	Nut-Lock, NI
11	104-8301	2	Nut-HF, NI	21	126-9209	2	Bolt-Shoulder
12	3234-29	2	Screw-HHF	22	119-4164	2	Washer-Wave
13	126-8579	1	Twin Bag Hood ASM	23	99-5107	2	Nut-Lock
14	116-0458	2	Pin-Mount, Bagger	26	126-8299	1	Cover-Hitch

● Kit No. 103-4188 - Contains catch, rubber latch, and mounting hardware

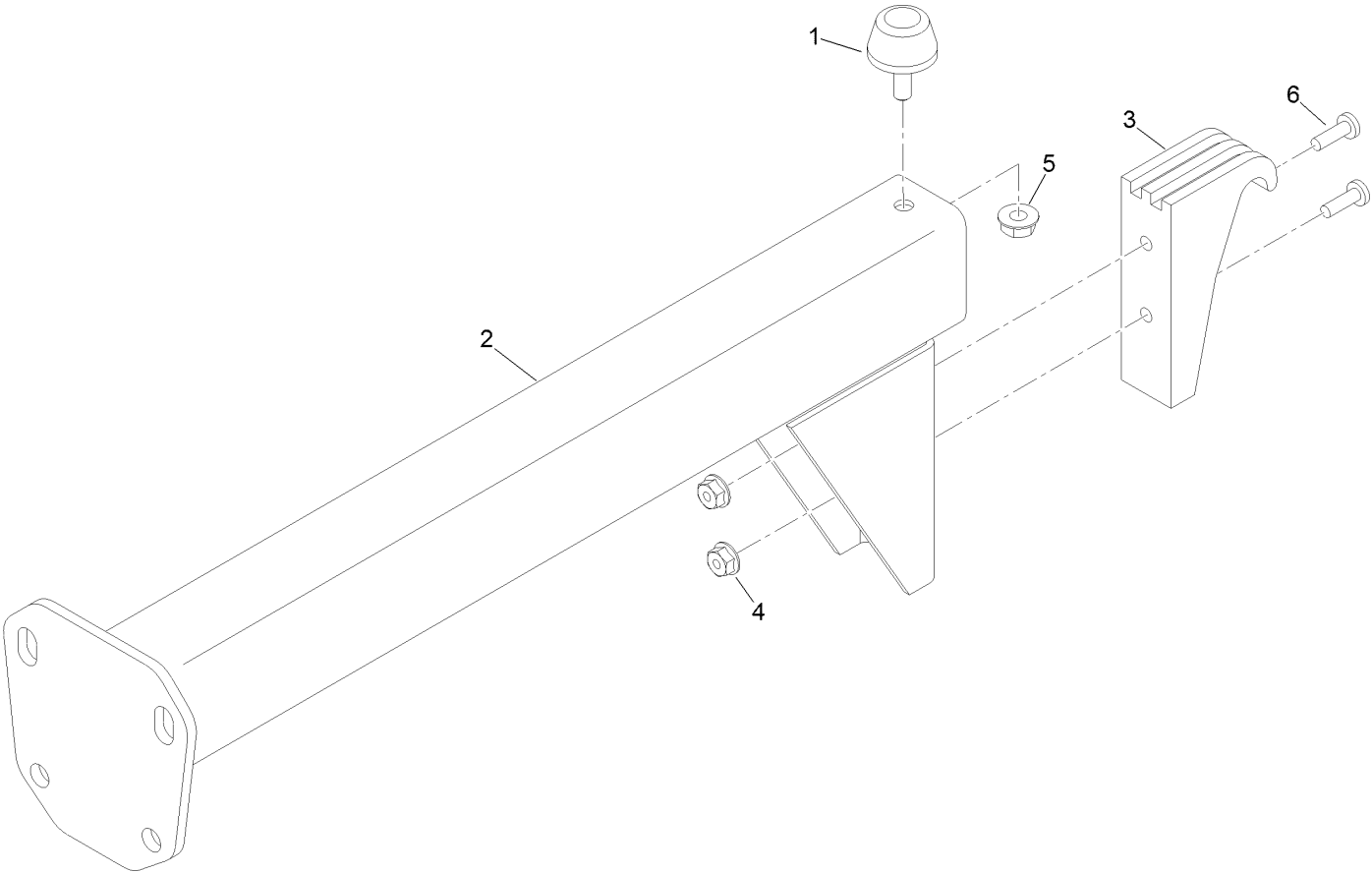
Twin Bag Hood Assembly No. 126-8579



Twin Bag Hood Assembly No. 126-8579 (continued)

<i>Ref.</i>	<i>Part Number</i>	<i>Qty.</i>	<i>Description</i>	<i>Ref.</i>	<i>Part Number</i>	<i>Qty.</i>	<i>Description</i>
1	1-513658	2	Bumper	14	112-2316	1	Hood ASM
2	1-633545	2	Spacer	15	321-11	1	Screw-HH
3	1-652395-03	2	Hinge ASM	16	321-4	6	Screw-HH
4	1-653036	2	Washer	17	321-6	2	Screw-HH
5	1-653403	1	Latch	18	3250-27	4	Screw-PPH
6	1-653425	1	Seal	19	3256-2	2	Washer-Flat
7	1-653528-03	1	Plate-Backing	20	3256-61	4	Washer-Flat
8	1-653544	2	Spring-Extension	21	3274-55	4	Screw-HSBH
9	1-653561	1	Seal-Chute	22	3296-2	10	Nut-Lock, NI
10	1-653598-03	1	Clamp-Seal	23	3296-42	3	Nut-Lock, NI
11	1-803075	6	Screw-Head, Truss	24	32128-33	6	Nut-HF
12	103-5166	1	Bag Support ASM	25	114439	7	Rivet-Blind
13	109-8705-03	1	Frame-Bag, Twin				

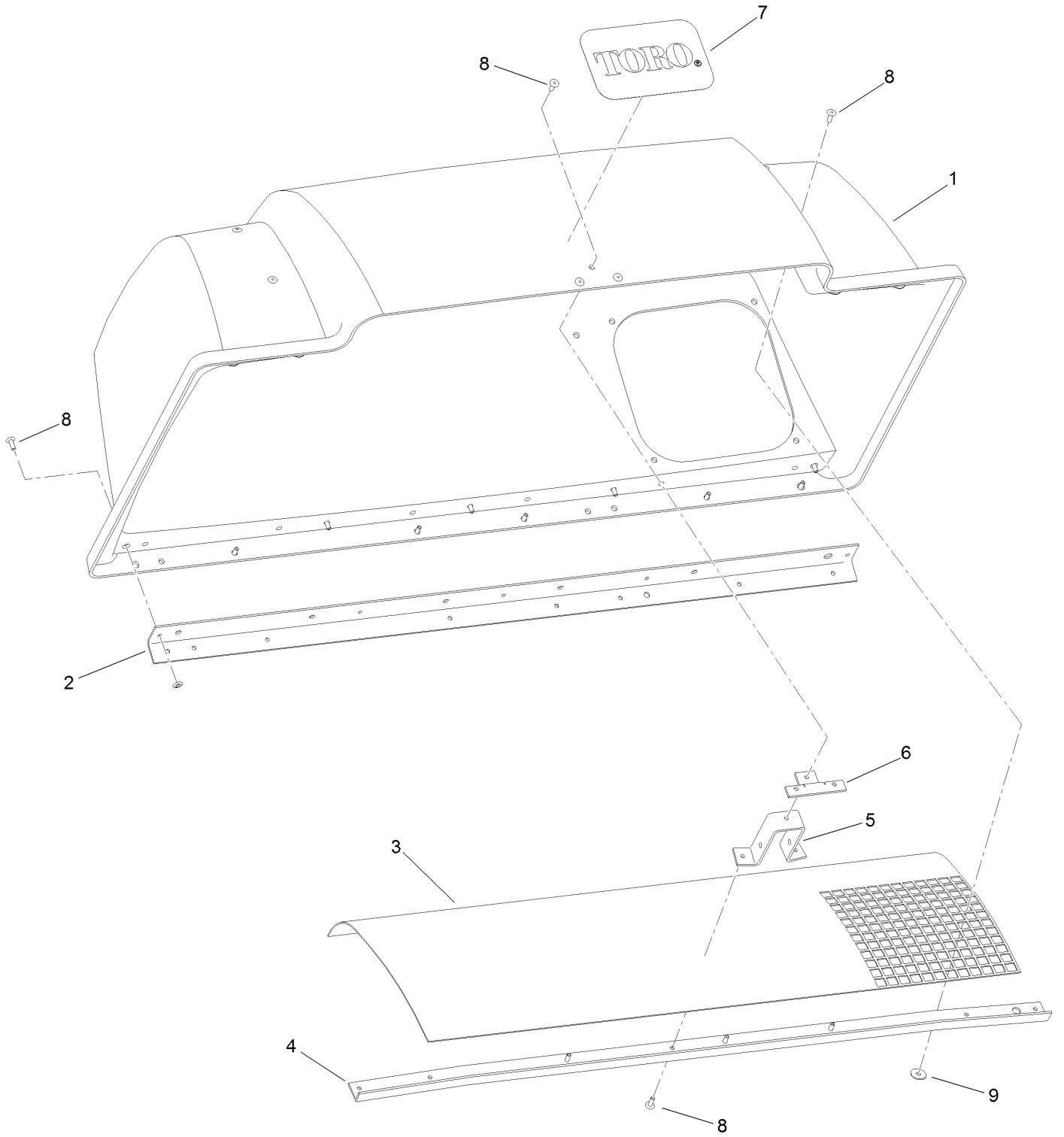
Bag Support Frame Assembly No. 103-5166



Bag Support Frame Assembly No. 103-5166 (continued)

<i>Ref.</i>	<i>Part Number</i>	<i>Qty.</i>	<i>Description</i>	<i>Ref.</i>	<i>Part Number</i>	<i>Qty.</i>	<i>Description</i>
1	1-523420	1	Bumper	4	3290-148	2	Nut-Whizlock
2	103-5124-03	1	Support-Bag	5	32128-33	1	Nut-Whizlock
3	1-653404	1	Catch	6	3290-500	2	Screw-PPH

Hood Assembly No. 112-2316

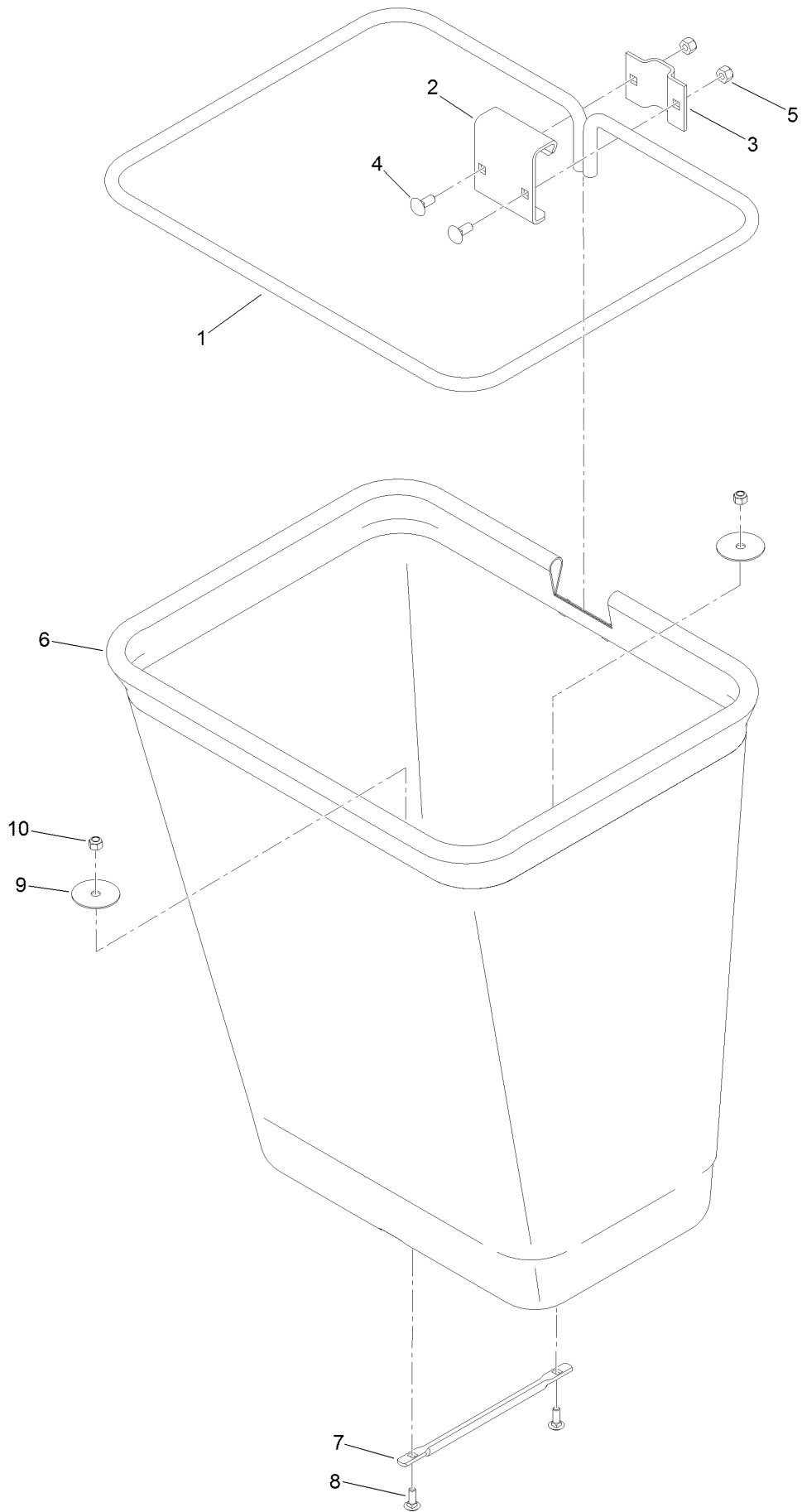


Hood Assembly No. 112-2316 (continued)

<i>Ref.</i>	<i>Part Number</i>	<i>Qty.</i>	<i>Description</i>
1	107-4088	1	Top-Bagger
2	1-653397-03	1	Stiffener-Bagger, Top
3	114967	1	Screen-Bagger
4	1-653400-03	1	Support-Screen
5	1-653519	1	Anchor-Latch

<i>Ref.</i>	<i>Part Number</i>	<i>Qty.</i>	<i>Description</i>
6	1-653535	1	Reinforcement-Latch
7	99-4693	1	Decal
8	114439	38	Rivet-Blind
9	3256-61	14	Washer-Flat

Bag Assembly No. 116-0754



Bag Assembly No. 116-0754 (continued)

<i>Ref.</i>	<i>Part Number</i>	<i>Qty.</i>	<i>Description</i>	<i>Ref.</i>	<i>Part Number</i>	<i>Qty.</i>	<i>Description</i>
1	1-653529-03	1	Frame-Bag	6	116-0757	1	Bag
2	114973-03	1	Hanger-Bag	7	1-653566	1	Handle-Bag
3	114974-03	1	Clamp	8	3229-1	2	Screw-CARR
4	3230-1	2	Bolt-CARR	9	1-653036	2	Washer
5	3296-29	2	Nut-Lock, NI	10	3296-42	2	Nut-Lock, NI

Notes:

Notes:



Count on it.