



**Count on it.**

**Parts Catalog**

**53cm Heavy-Duty 60V  
Recycler®/Rear Bagger Lawn Mower**

Model No. 22275T—Serial No. 411500000 and Up



# Ordering Replacement Parts

To order replacement parts, please supply the part number, the quantity, and the description of each part desired.

## Understanding Reference Numbers

Each identified part in an illustration has a reference number. The reference number for a part also appears in the parts list, along with other information about the part.

This catalog uses two special reference number formats, one to indicate parts in a service assembly and another to indicate the quantity of a given part in an illustration.

## Service Assembly Reference Numbers

Parts in service assemblies have reference numbers in the form a:b. The a represents the reference number of the entire service assembly and the b represents a sequential number unique to each part within the service assembly.

For example, a wheel assembly might be identified by reference number 6, the tire by 6:1, the valve by 6:2, and the wheel by 6:3. When you order the assembly identified by reference number 6, you receive all parts identified by reference numbers 6:1, 6:2, and 6:3. However, you may also order any part individually. Reference numbers of this type appear in illustration and in parts lists.

## Reference Numbers Indicating Quantity

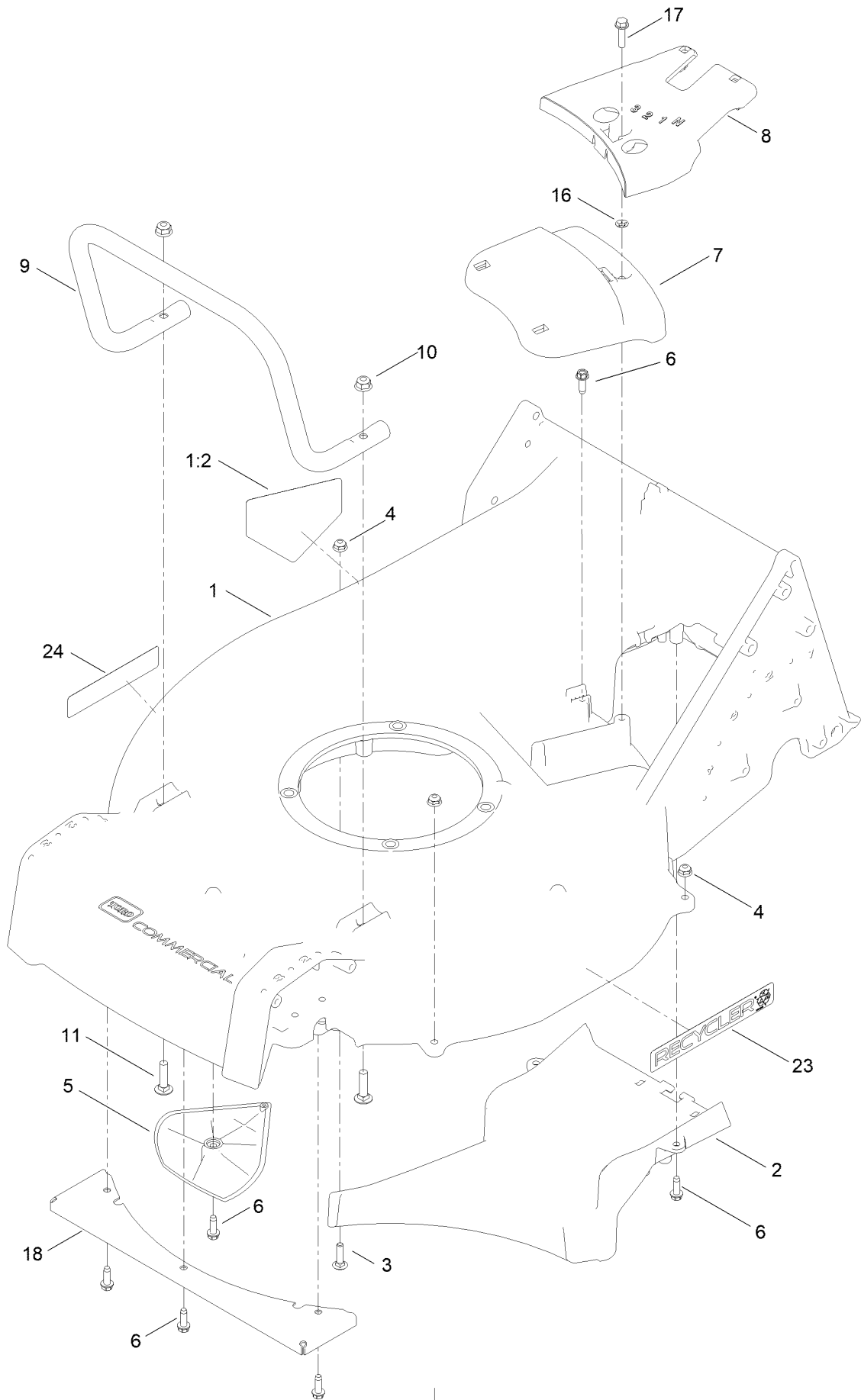
In an illustration, if a reference number indicates more than one part, the reference number has the form nX y. The n represents the quantity of the part, the X is the multiplication symbol, and the y represents the reference number.

For example, in an illustration, the reference number 2X 37 means that two of the parts identified by reference number 37 are indicated.

# Contents

Housing Assembly .....	4
Grass Bag Assembly .....	6
Motor Module and Blade Assembly .....	8
Motor Module No. 140-4161 Lower Shroud Assembly .....	10
Motor Module No. 140-4161 Upper Shroud Assembly .....	12
Front Wheel and Height-of-Cut Assembly .....	14
Transmission and Rear Wheel Assembly .....	16
Handle Assembly .....	18
Attachments and Accessories .....	20

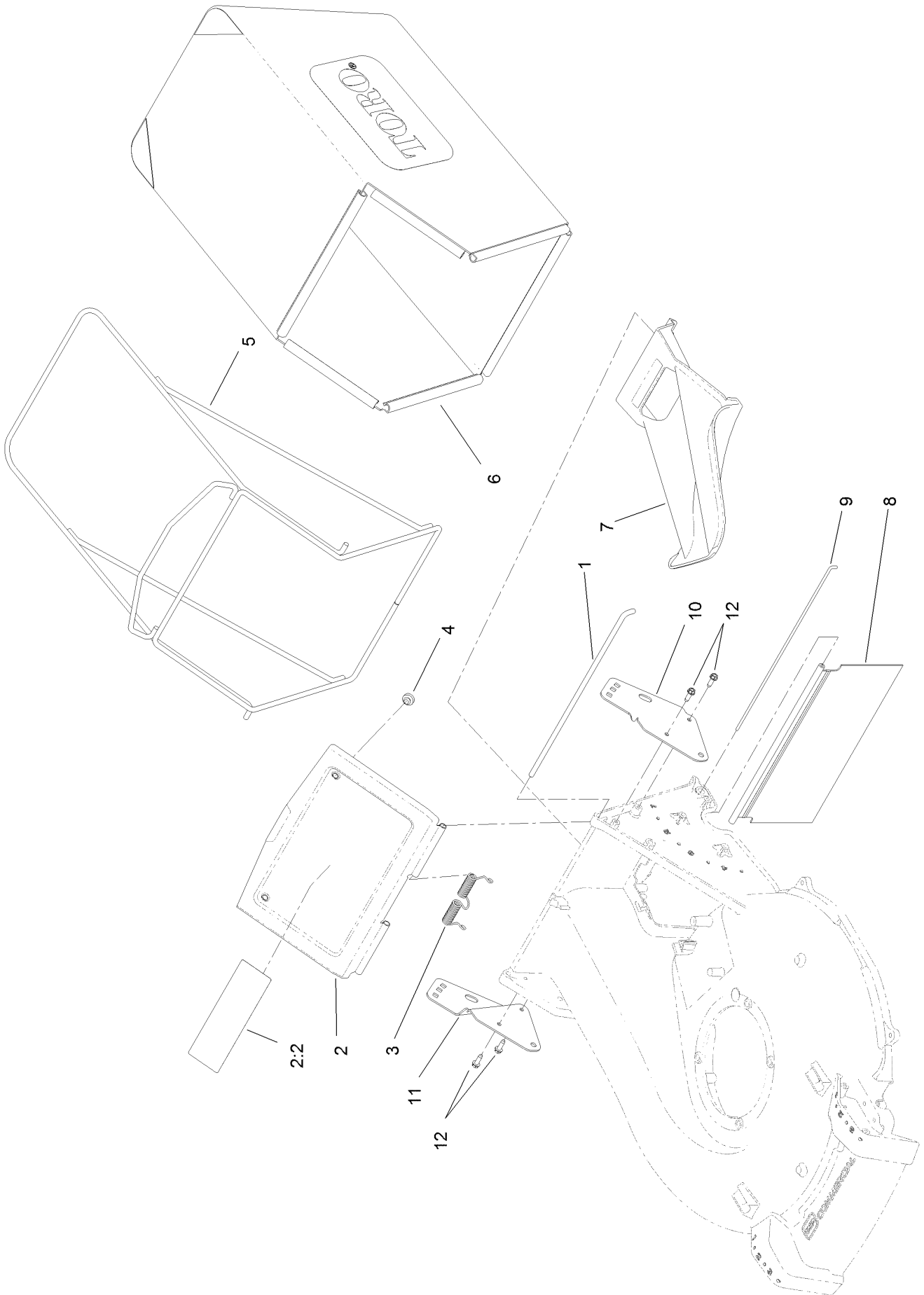
# Housing Assembly



## Housing Assembly (continued)

<i>Ref.</i>	<i>Part Number</i>	<i>Qty.</i>	<i>Description</i>	<i>Ref.</i>	<i>Part Number</i>	<i>Qty.</i>	<i>Description</i>
1	136-5897	1	Housing ASM	9	140-3880-03	1	Guard-Engine
1:2	112-8760	1	Decal-Danger	10	104-8300	2	Nut-HF, NI
2	125-1002-01	1	Floor-Chute	11	3230-3	2	Screw-CARR
3	3229-2	1	Screw-CARR	16	32115-15	1	Nut-Push
4	104-7201	1	Nut-HF, NI	17	32144-86	1	Screw-HWHTF
5	125-5041	2	Kicker	18	125-8435-03	1	Guard-Toe, Front
6	49-2040	7	Screw-HWHTF	23	119-2368	1	Decal-Recycler
7	125-5038	1	Cover-Belt, Front	24	125-8420	1	Decal
8	125-8380	1	Cover-Belt, Rear				

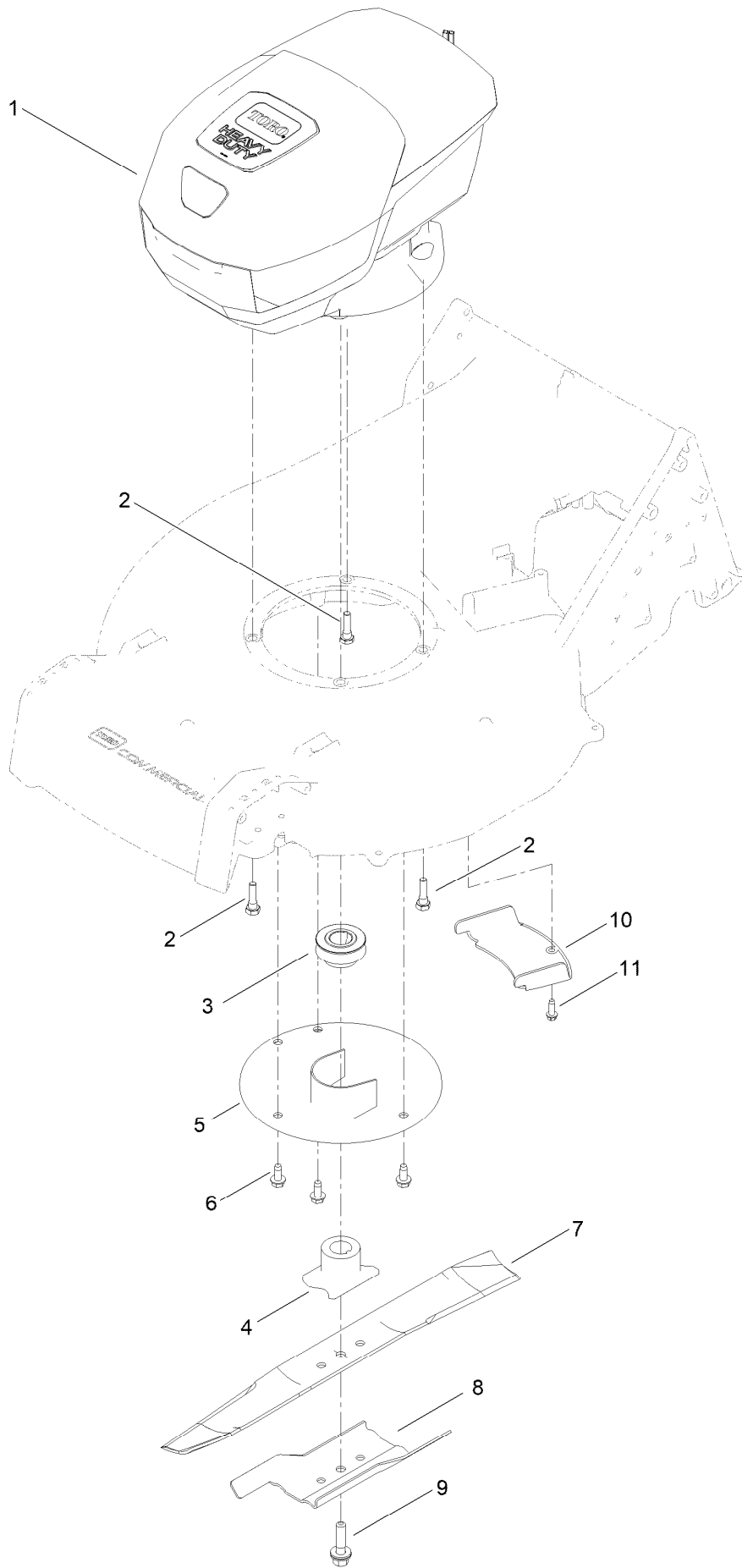
# Grass Bag Assembly



## Grass Bag Assembly (continued)

<i>Ref.</i>	<i>Part Number</i>	<i>Qty.</i>	<i>Description</i>	<i>Ref.</i>	<i>Part Number</i>	<i>Qty.</i>	<i>Description</i>
1	125-1017	1	Rod-Door, Bag	7	125-1008	1	Plug-Mulch
2	125-8402	1	Bag Door ASM	8	125-1007	1	Shield-Trailing
2:2	116-7583	1	Decal-Warning	9	125-8413	1	Rod-Shield, Trailing
3	125-1019	1	Spring-Torsion	10	133-8193-03	1	Bracket-Mount, Handle (LH)
4	1-513658	2	Bumper	11	133-8194-03	1	Bracket-Mount, Handle (RH)
5	121-1399-03	1	Frame-Bag	12	32144-70	4	Screw-HWHTF
6	125-1030	1	Bag-Grass				

# Motor Module and Blade Assembly

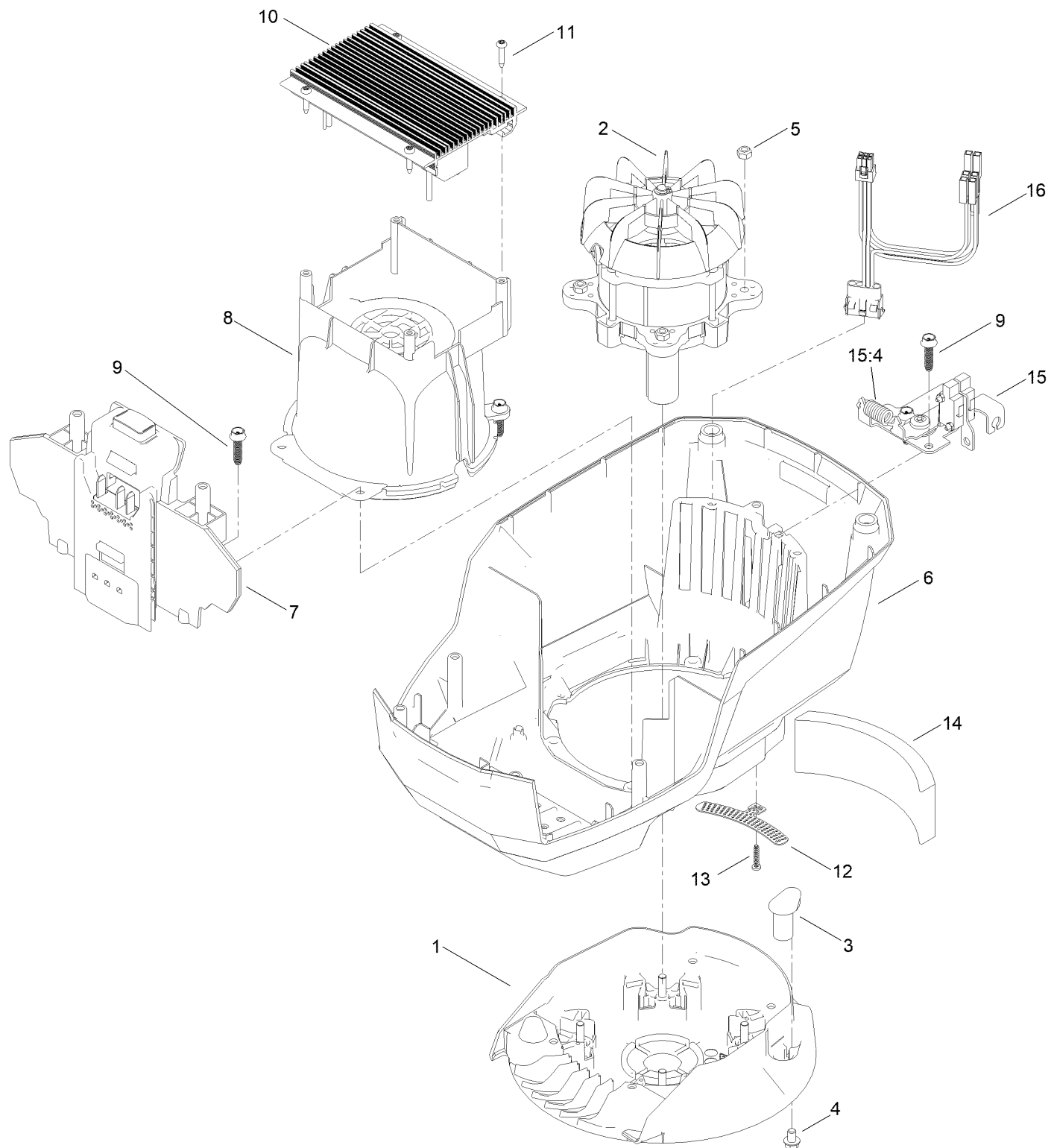




## Motor Module and Blade Assembly (continued)

<i>Ref.</i>	<i>Part Number</i>	<i>Qty.</i>	<i>Description</i>	<i>Ref.</i>	<i>Part Number</i>	<i>Qty.</i>	<i>Description</i>
1	140-4161	1	Motor Module	7	133-8183-03	1	Blade-Recycling, 21In
2	95-1727	3	Screw-Taptite	8	125-1069-03	1	Accelerator-Blade
3	125-8396	1	Pulley-Driver	9	125-2466	1	Bolt-Blade
4	125-1004	1	Driver-Blade	10	125-1024	1	Cover-Belt
5	125-8370	1	Protector-Crankshaft	11	49-2040	1	Screw-HWHTF
6	32144-70	3	Screw-HWHTF				

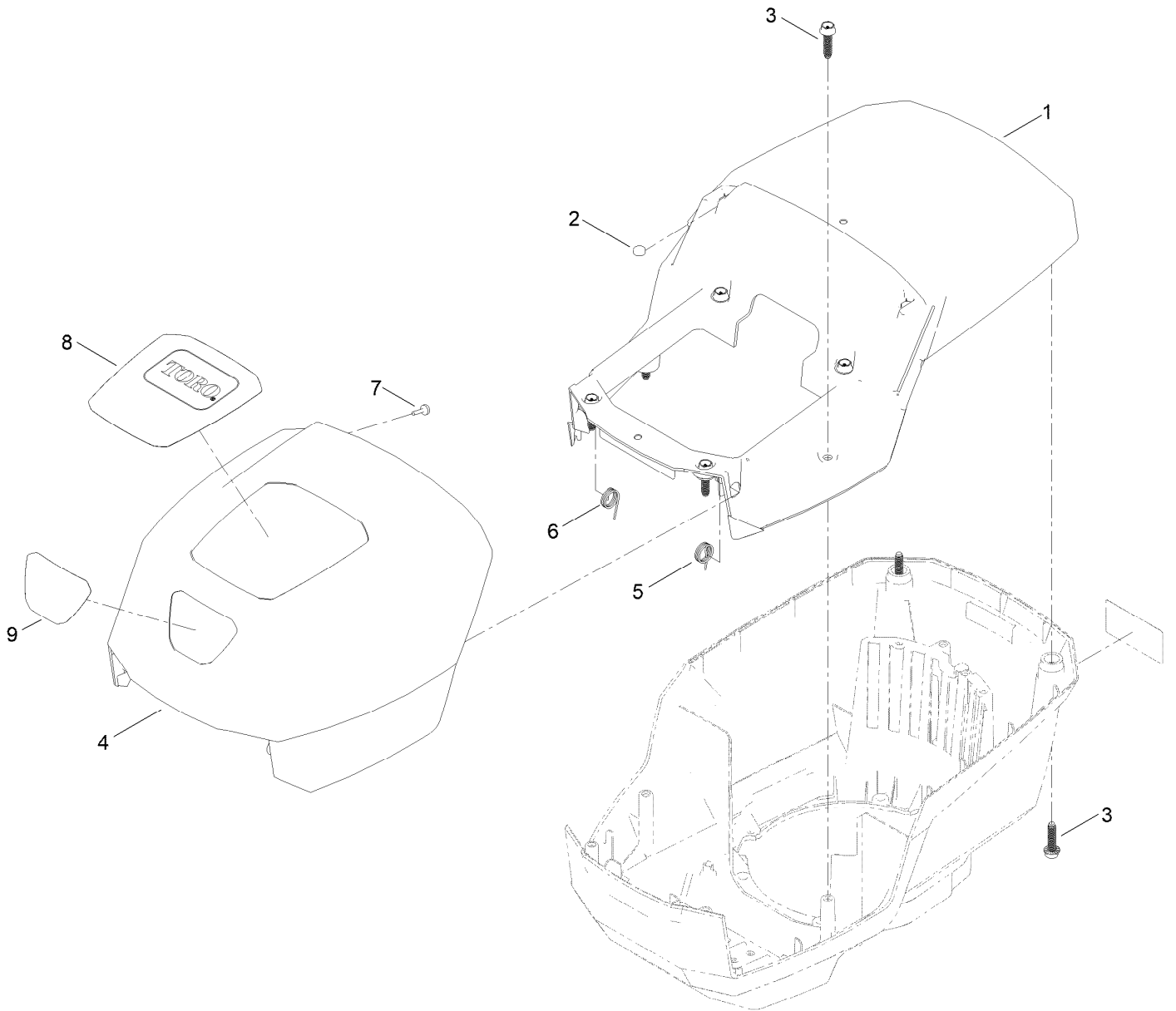
# Motor Module No. 140-4161 Lower Shroud Assembly



# Motor Module No. 140-4161 Lower Shroud Assembly (continued)

<i>Ref.</i>	<i>Part Number</i>	<i>Qty.</i>	<i>Description</i>	<i>Ref.</i>	<i>Part Number</i>	<i>Qty.</i>	<i>Description</i>
1	139-6628	1	Base-Mount, Motor	10	140-4162	1	Controller-Motor
2	140-4119	1	Motor-2Kw	11	139-6642	4	Screw
3	131-9732	3	Insert-Mount, Motor	12	139-6635	1	Bracket-Foam
4	137-4795	3	Screw	13	138-3273	1	Screw-Plastic, PPH
5	115-7373	4	Nut-Lock	14	139-6636	1	Foam
6	140-4118	1	Shroud-Lower	15	133-1918	1	Bail Switch ASM
7	139-6632	1	Battery Reciever ASM	15:4	104-6478	1	Spring-Extension
8	139-6633	1	Shroud-Motor	16	139-6637	1	Harness-Wire
9	130-6658	6	Screw-Flange, Plastic				

# Motor Module No. 140-4161 Upper Shroud Assembly

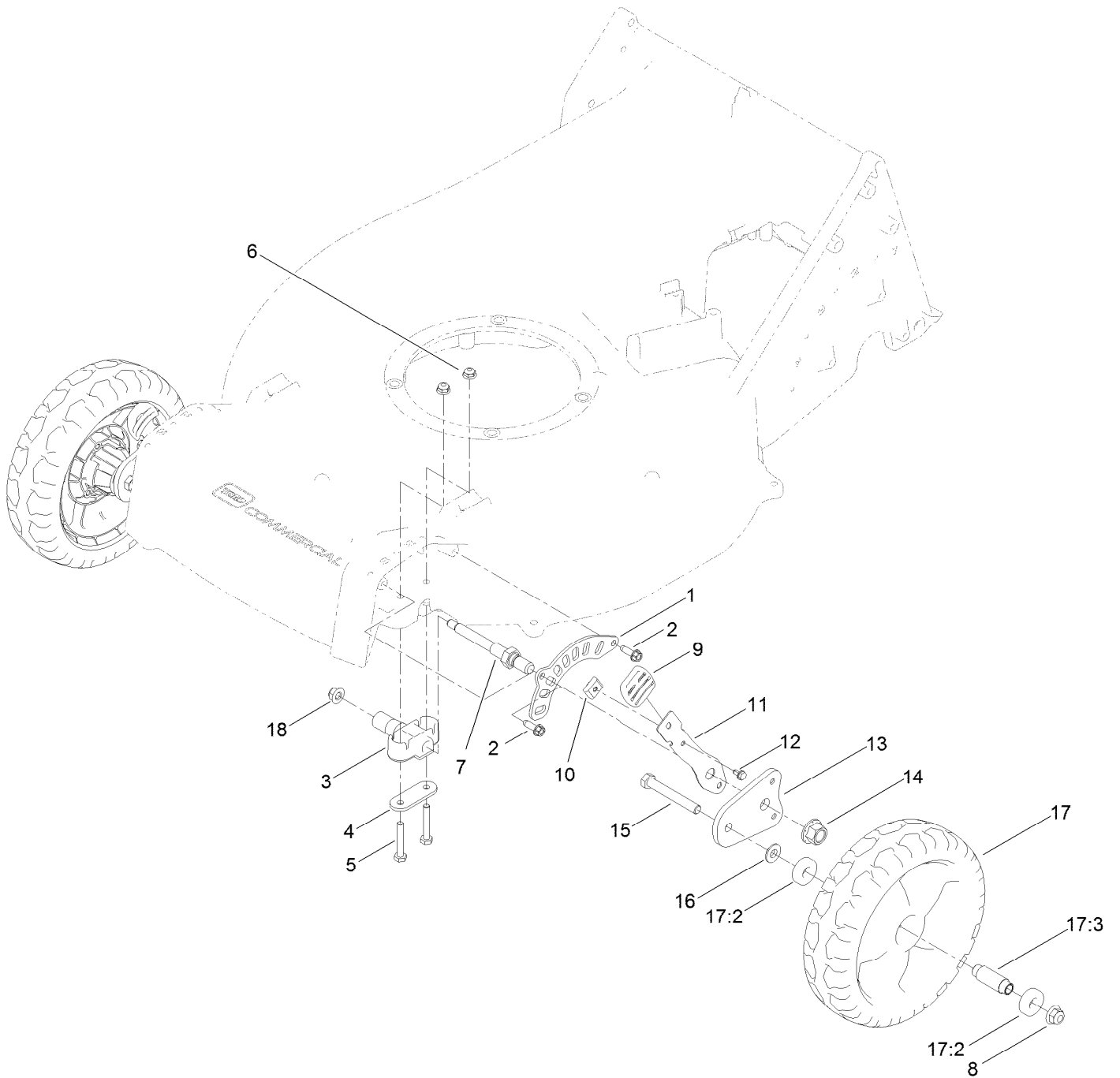


# Motor Module No. 140-4161

## Upper Shroud Assembly (continued)

<i>Ref.</i>	<i>Part Number</i>	<i>Qty.</i>	<i>Description</i>	<i>Ref.</i>	<i>Part Number</i>	<i>Qty.</i>	<i>Description</i>
1	140-3886	1	Shroud-Upper	6	139-6641	1	Spring-RH
2	114-5896	2	Magnet	7	95-4234	2	Screw-PPH
3	130-6658	8	Screw-Flange, Plastic	8	140-4126	1	Decal-Hood, Top
4	139-6639	1	Hood	9	140-4127	1	Decal-Hood, Front
5	139-6640	1	Spring-LH				

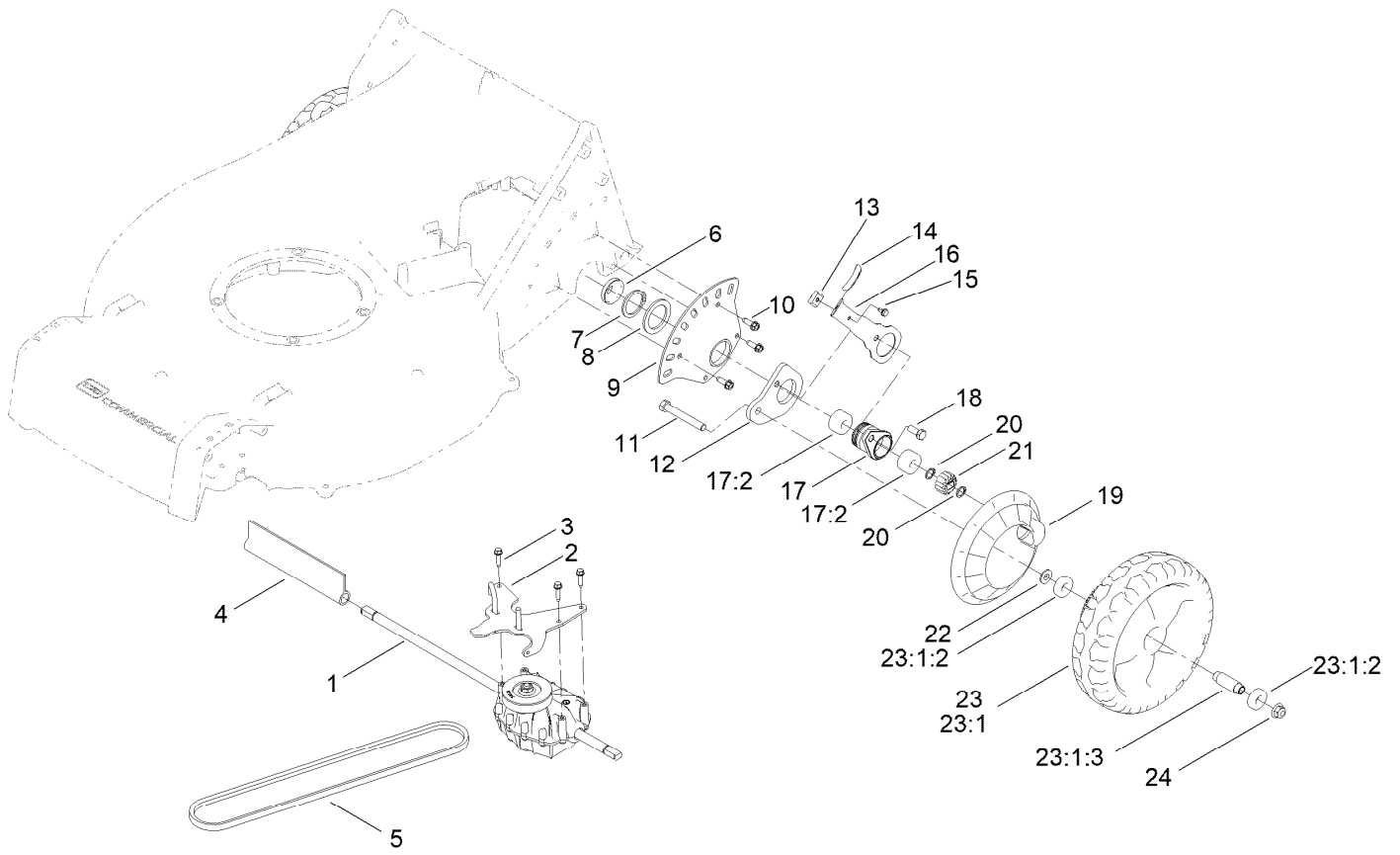
# Front Wheel and Height-of-Cut Assembly



## Front Wheel and Height-of-Cut Assembly (continued)

<i>Ref.</i>	<i>Part Number</i>	<i>Qty.</i>	<i>Description</i>	<i>Ref.</i>	<i>Part Number</i>	<i>Qty.</i>	<i>Description</i>
1	121-1439	2	Plate-HOC, Front	11	121-1431-03	2	Arm-Spring
2	49-2040	4	Screw-HWHTF	12	104-2065	2	Screw-HWH
3	136-5871	2	Bushing-Axle, Front (HOC)	13	130-6420	2	Arm-Pivot, Front
4	130-6434	2	Retainer-Bushing, Axle	14	99-5107	2	Nut-Lock
5	321-37	4	Screw-HH	15	323-13	2	Screw-HH
6	104-7201	4	Nut-HF, NI	16	74-1671	2	Spacer-Cover, Wheel
7	133-2644	2	Axle-Front HOC	17	133-2639	2	Wheel
8	104-8301	2	Nut-HF, NI	17:2	133-2603	2	Bearing-Ball
9	125-1093	2	Knob-Lever, HOC	17:3	125-1077	1	Spacer
10	131-5377	2	Key-Arm, Spring	18	104-8300	2	Nut-HF, NI

# Transmission and Rear Wheel Assembly



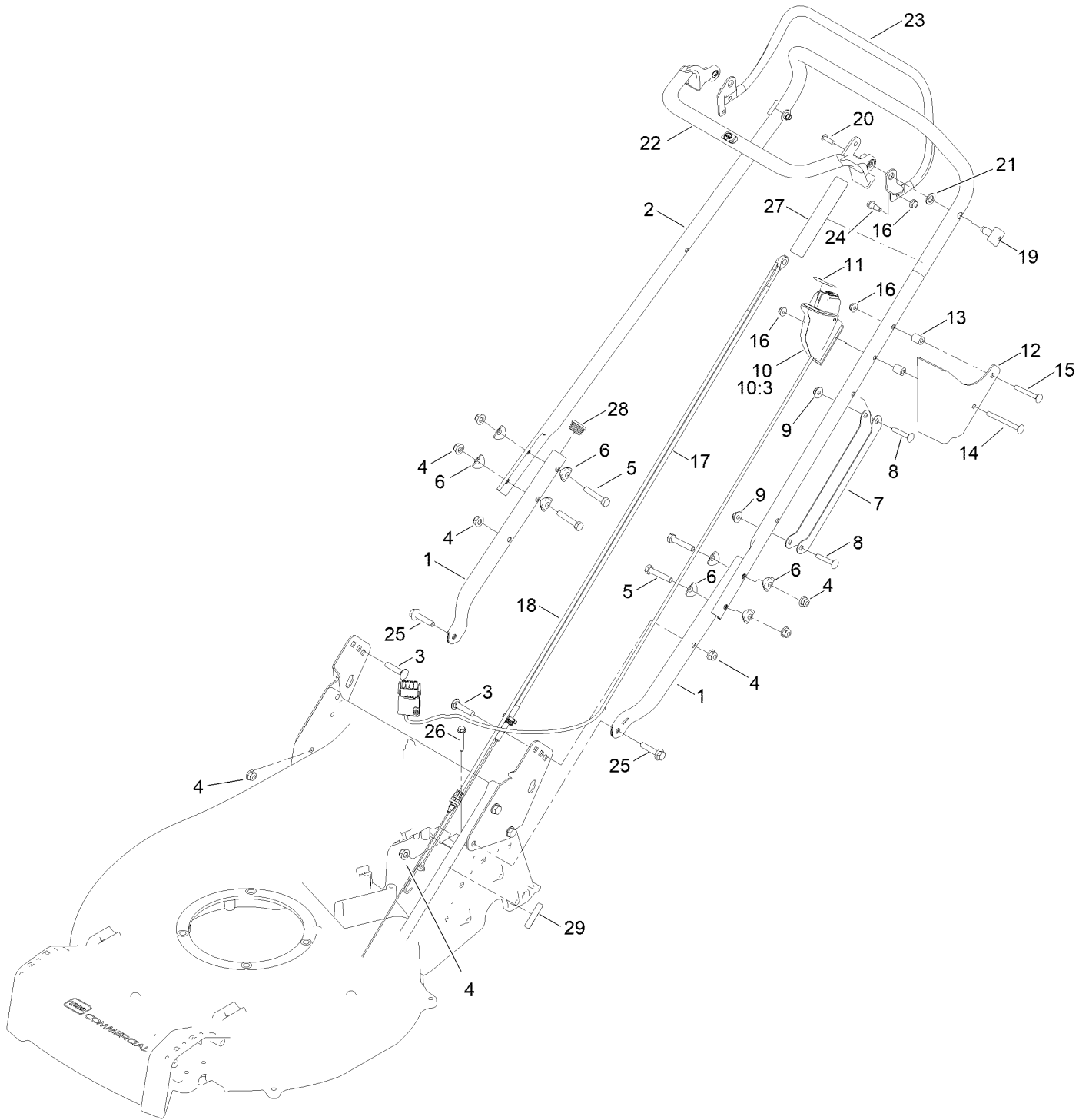


## Transmission and Rear Wheel Assembly (continued)

<i>Ref.</i>	<i>Part Number</i>	<i>Qty.</i>	<i>Description</i>	<i>Ref.</i>	<i>Part Number</i>	<i>Qty.</i>	<i>Description</i>
1	140-4011	1	Transmission-HD	15	104-2065	2	Screw-HWH
2	140-4012-03	1	Belt Guide ASM	16	121-1448-03	2	Arm-Spring, Rear
3	27-0220	3	Screw-Special	17	136-5894	2	Bearing Retainer ASM
4	130-9681	1	Cover-Shaft, Transmission	17:2	133-2606	2	Bearing-Ball, Custom
5	125-8395	1	Belt-V	18	133-2668	2	Screw-HH
6	127-6848	2	Cover-Bearing	19	133-2635	2	Cover-Wheel
7	32151-10	2	Ring-Retaining	20	32151-61	4	Ring-Retaining
8	98-1452	2	Washer-Thrust	21	131-5399	2	Gear-Pinion, 15T
9	130-6422	2	Plate-HOC, Rear	22	74-1671	2	Spacer-Cover, Wheel
10	49-2040	6	Screw-HWHTF	23	133-2640	2	9-Inch Wheel ASM
11	323-13	2	Screw-HH	23:1		1	Wheel ●
12	133-2641	2	Arm-Pivot, Rear	23:1:2	133-2603	2	Bearing-Ball
13	131-5377	2	Key-Arm, Spring	23:1:3	125-1077	1	Spacer
14	125-1093	2	Knob-Lever, HOC	24	104-8301	2	Nut-HF, NI

● Not serviced separately

# Handle Assembly



## Handle Assembly (continued)

<i>Ref.</i>	<i>Part Number</i>	<i>Qty.</i>	<i>Description</i>	<i>Ref.</i>	<i>Part Number</i>	<i>Qty.</i>	<i>Description</i>
1	134-5087-03	2	Lower Handle	15	136-7081	1	Screw-CARR
2	134-5160-03	1	Upper Handelebar	16	104-7201	3	Nut-HF, NI
3	3230-4	2	Bolt-CARR	17	145-1483	1	Cable-Traction, 60V
4	104-8300	8	Nut-HF, NI	18	144-3180	1	Cable-Brake
5	322-39	4	Screw-HH	19	340182	2	Pin-Pivot
6	137-3009	8	Washer-Cup	20	09687	2	Screw
7	134-5187-03	1	Guard-Cable, Handle	21	09688	2	Washer-Nylon
8	108-0988	2	Screw-CARR	22	111-9662	1	OPC Lever - Engine
9	114-3778	2	Nut-HF	23	111-9381-03	1	Lever-Clutch, Gearbox
10	140-3891	1	Starter Switch ASM	24	42-3560	1	Bolt-Shoulder
10:3	140-4231	1	Starter Button Service ASM	25	115-1794	2	Screw-HHF
11	134-4691	1	Decal - Control Speed	26	94-2691	1	Screw-HWH Taptite
12	140-4168-03	1	Guard-Housing, Switch	27	144-3175	1	Decal-Controls (60V Start)
13	134-5188	2	Spacer	28	144-6379	2	Plug-Round Tube, 1 In.
14	137-9142	1	Screw-CARR	29	131-0822	1	Decal

# Attachments and Accessories

## For 22275T 53cm Heavy-Duty 60V Recycler/Rear Bagger Lawn Mower

<b>Product Name</b>	<b>Model/Part</b>
Cup-Anti Scalp.....	125-8440
Deck Side Guard Kit .....	130-9701
Rear Discharge Kit.....	130-9734
21in Recycling Blade .....	144-3178-03
60v Battery Charger 5 Amp International .....	81805
60V 6.0 AH Battery CE .....	81860
60V 7.5 AH Battery CE .....	81875

**Notes:**

**Notes:**

**Notes:**



**Count on it.**