



Count on it.

Parts Catalog

**Flex-Force Power System™ 60V
MAX**

21in Recycler® Lawn Mower with SmartStow®

Model No. 21356T—Serial No. 410000000 and Up



Ordering Replacement Parts

To order replacement parts, please supply the part number, the quantity, and the description of each part desired.

Understanding Reference Numbers

Each identified part in an illustration has a reference number. The reference number for a part also appears in the parts list, along with other information about the part.

This catalog uses two special reference number formats, one to indicate parts in a service assembly and another to indicate the quantity of a given part in an illustration.

Service Assembly Reference Numbers

Parts in service assemblies have reference numbers in the form a:b. The a represents the reference number of the entire service assembly and the b represents a sequential number unique to each part within the service assembly.

For example, a wheel assembly might be identified by reference number 6, the tire by 6:1, the valve by 6:2, and the wheel by 6:3. When you order the assembly identified by reference number 6, you receive all parts identified by reference numbers 6:1, 6:2, and 6:3. However, you may also order any part individually. Reference numbers of this type appear in illustration and in parts lists.

Reference Numbers Indicating Quantity

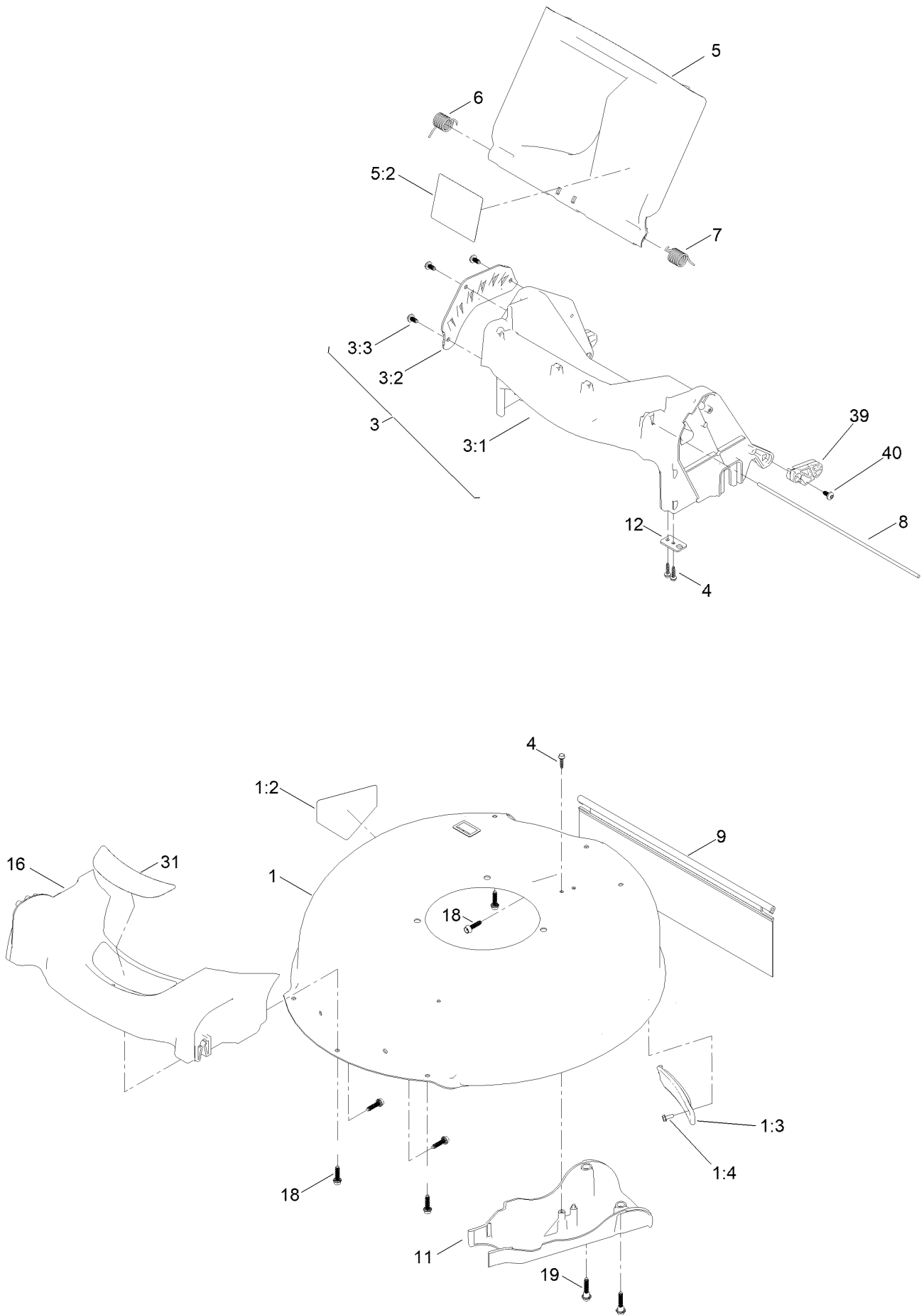
In an illustration, if a reference number indicates more than one part, the reference number has the form nX y. The n represents the quantity of the part, the X is the multiplication symbol, and the y represents the reference number.

For example, in an illustration, the reference number 2X 37 means that two of the parts identified by reference number 37 are indicated.

Contents

Housing and Chute Assembly	4
Frame and Bag Assembly	6
Motor Module and Blade Assembly	8
Motor Module No. 138-6660 Lower Shroud Assembly	10
Motor Module No. 138-6660 Hood and Upper Shroud Assembly	12
Front Wheel and Height-of-Cut Assembly	14
Rear Wheel and Height-of-Cut Assembly	16
Lower Handle Assembly	18
Upper Handle Assembly	20
Attachments and Accessories	22

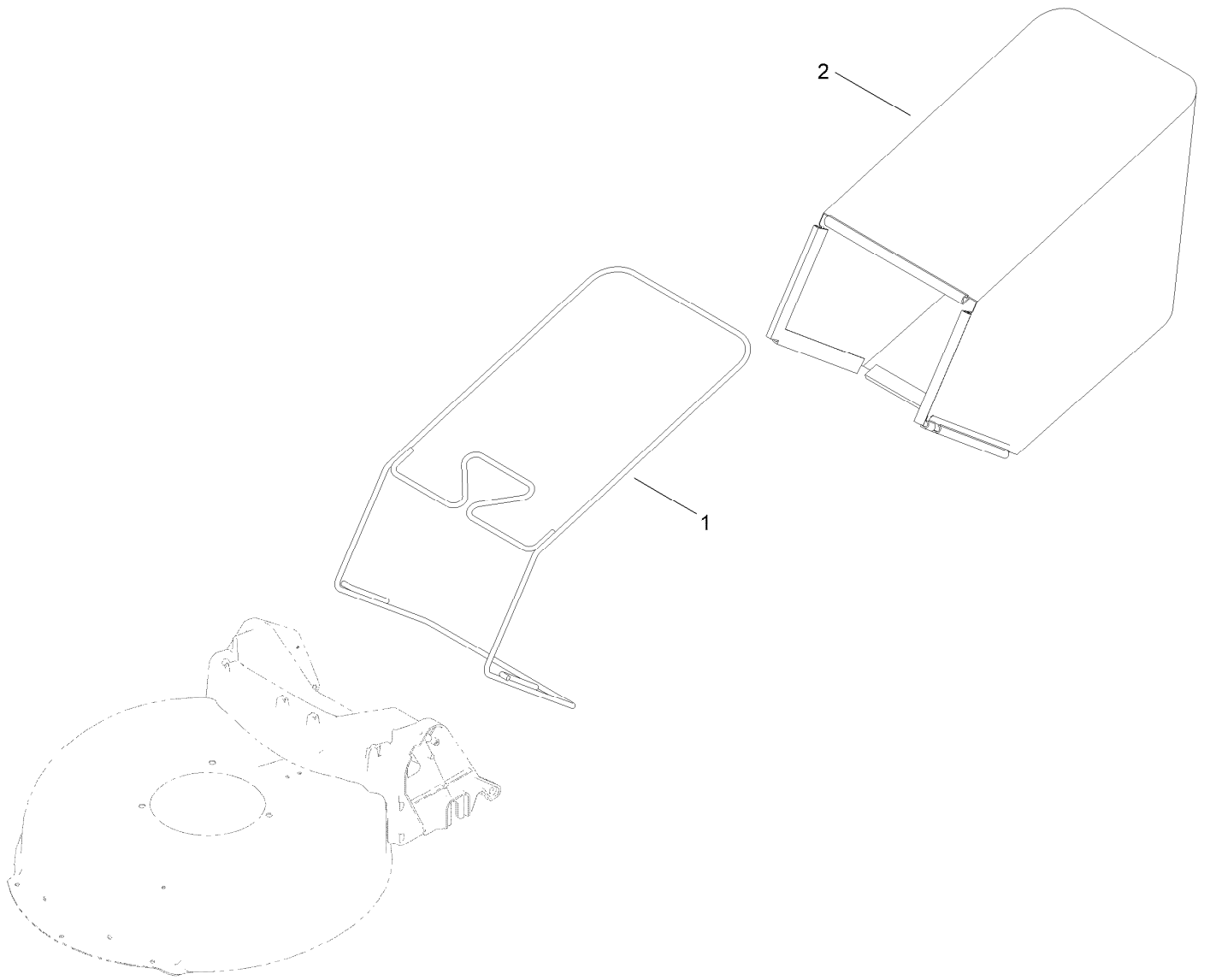
Housing and Chute Assembly



Housing and Chute Assembly (continued)

<i>Ref.</i>	<i>Part Number</i>	<i>Qty.</i>	<i>Description</i>	<i>Ref.</i>	<i>Part Number</i>	<i>Qty.</i>	<i>Description</i>
1	136-5906	1	Housing ASM	7	138-5378	1	Spring-Torsion
1:2	94-8072	1	Decal-Danger	8	127-0698	1	Rod-Door
1:3	132-4518	1	Cover-Belt	9	127-0724	1	Shield-Trailing
1:4	32144-1	1	Screw-Taptite	11	127-0723	1	Cover-Belt
3	139-1805	1	Chute ASM	12	127-0730	1	Bracket-Cable
3:1	140-4160	1	Chute-Sp/Awd, 21 In	16	127-0677	1	Bumper
3:2	133-1905-03	1	Plate-HOC	18	130-6658	7	Screw-Flange, Plastic
3:3	139-1679	3	Screw-Plastic,PH	19	131-0837	2	Screw-Shoulder, HHF
4	127-6831	3	Screw-HWH	31	144-3198	1	Decal-Deck
5	140-3830	1	Rear Deflector ASM (60V)	39	140-4159	2	Pad-Stow, Smart
5:2	140-3811	1	Decal-Wpm Warning, 60V	40	139-1679	2	Screw-Plastic,PH
6	127-6807	1	Spring-Torsion				

Frame and Bag Assembly

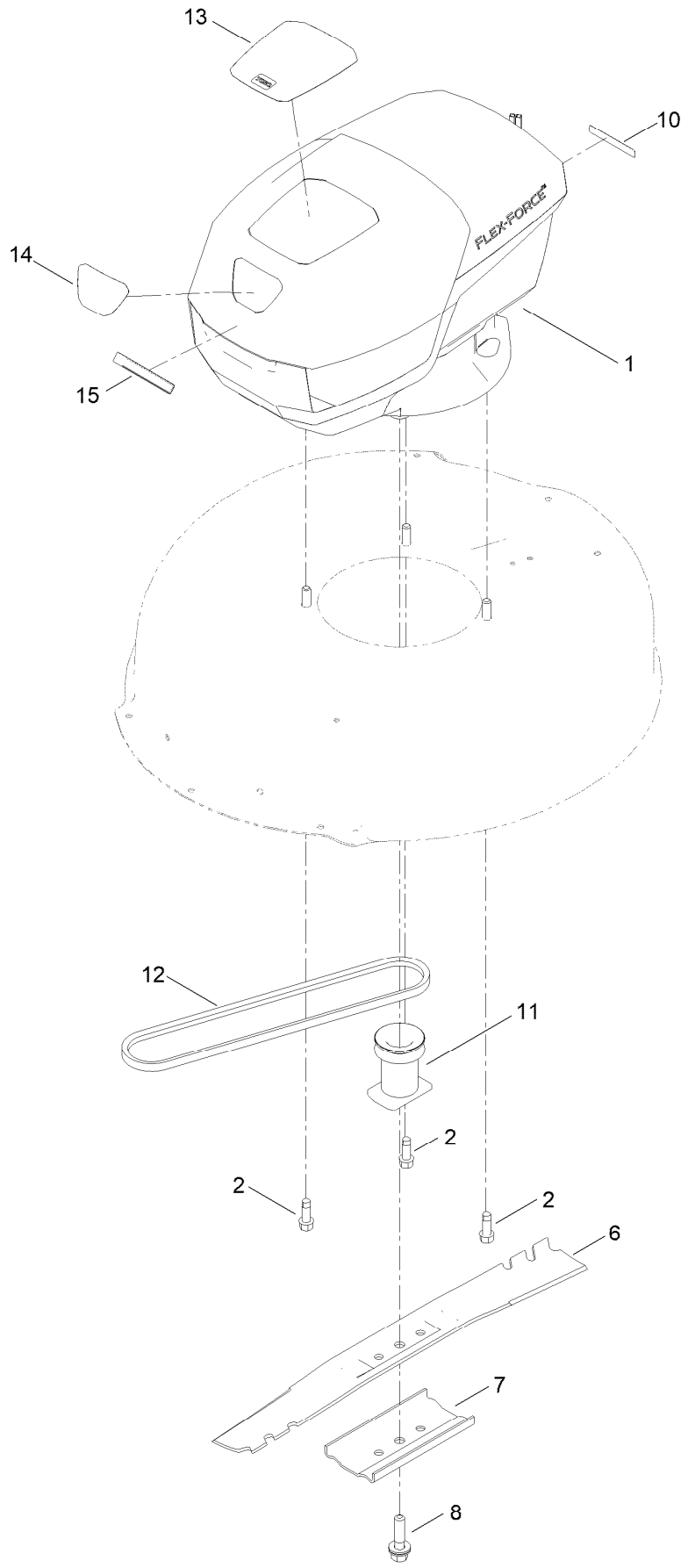


Frame and Bag Assembly (continued)

<i>Ref.</i>	<i>Part Number</i>	<i>Qty.</i>	<i>Description</i>
1	131-9697-03	1	Frame-Bag
2	140-3791	1	Grass Bag ASM
8	139-8986	1	Decal-Warning (Bag) ●

● Not illustrated

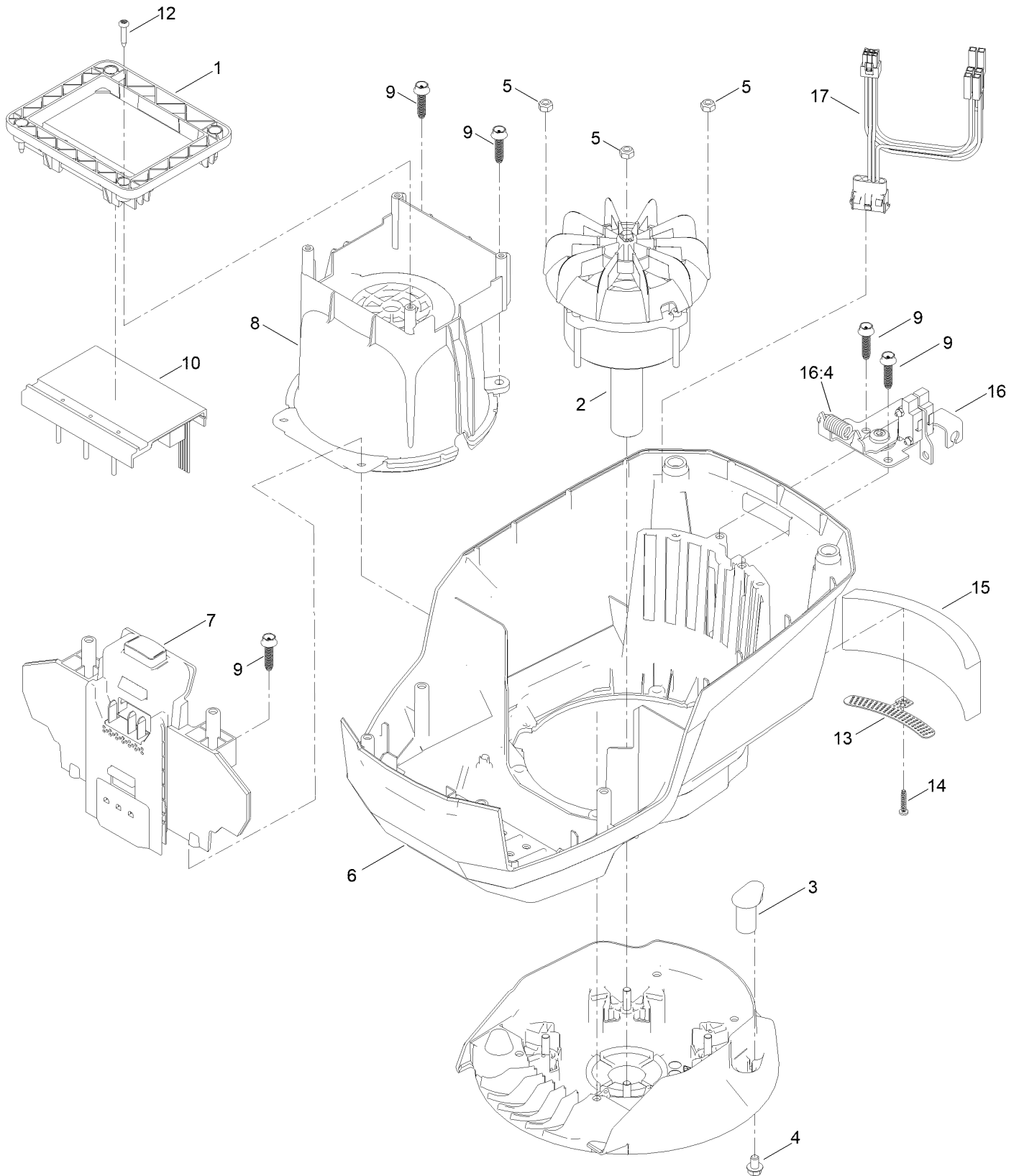
Motor Module and Blade Assembly



Motor Module and Blade Assembly (continued)

<i>Ref.</i>	<i>Part Number</i>	<i>Qty.</i>	<i>Description</i>	<i>Ref.</i>	<i>Part Number</i>	<i>Qty.</i>	<i>Description</i>
1	138-6660	1	Module-Motor	11	139-1816	1	Driver-Blade
2	95-1726	3	Screw-Taptite	12	110-9429	1	V-Belt
6	140-1274-03	1	Blade-21In (Mulch, Hs)	13	140-4190	1	Decal
7	108-3766-03	1	Support-Blade	14	140-4191	1	Decal
8	125-2466	1	Bolt-Blade	15	144-3183	1	Decal
10	133-8061	1	Decal-Warning				

Motor Module No. 138-6660 Lower Shroud Assembly

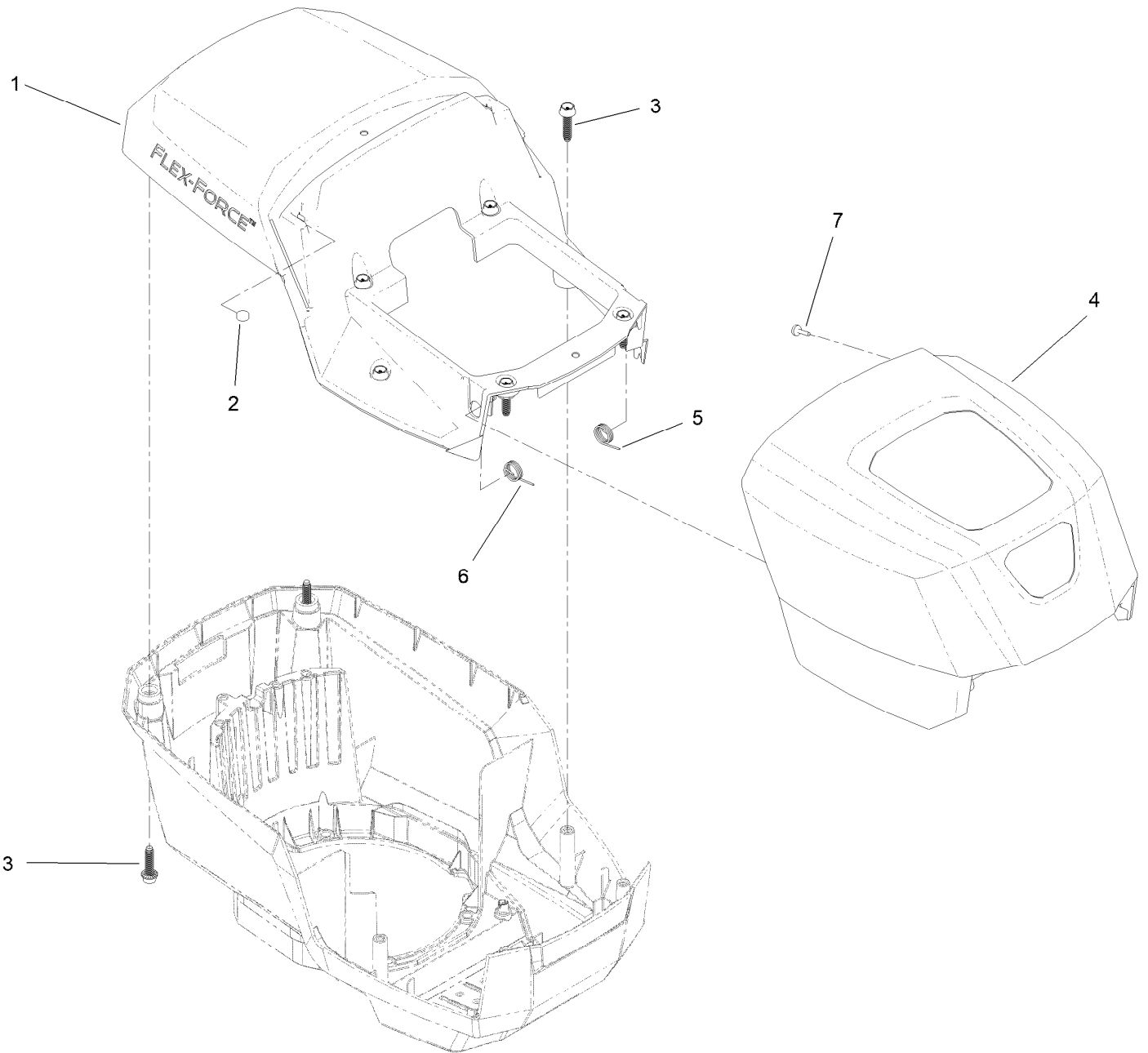


Motor Module No. 138-6660

Lower Shroud Assembly (continued)

<i>Ref.</i>	<i>Part Number</i>	<i>Qty.</i>	<i>Description</i>	<i>Ref.</i>	<i>Part Number</i>	<i>Qty.</i>	<i>Description</i>
1	139-6628	1	Base-Mount, Motor	10	138-6662	1	Controller-Motor, 60 Volt
2	138-6661	1	Motor, 60 Volt	12	139-6642	4	Screw
3	131-9732	3	Insert-Mount, Motor	13	139-6635	1	Bracket-Foam
4	137-4795	3	Screw	14	138-3273	1	Screw-Plastic, PPH
5	115-7373	4	Nut-Lock	15	139-6636	1	Foam
6	139-6631	1	Shroud-Lower	16	133-1918	1	Bail Switch ASM
7	139-6632	1	Battery Reciever ASM	16:4	104-6478	1	Spring-Extension
8	139-6633	1	Shroud-Motor	17	139-6637	1	Harness-Wire
9	130-6658	6	Screw-Flange, Plastic				

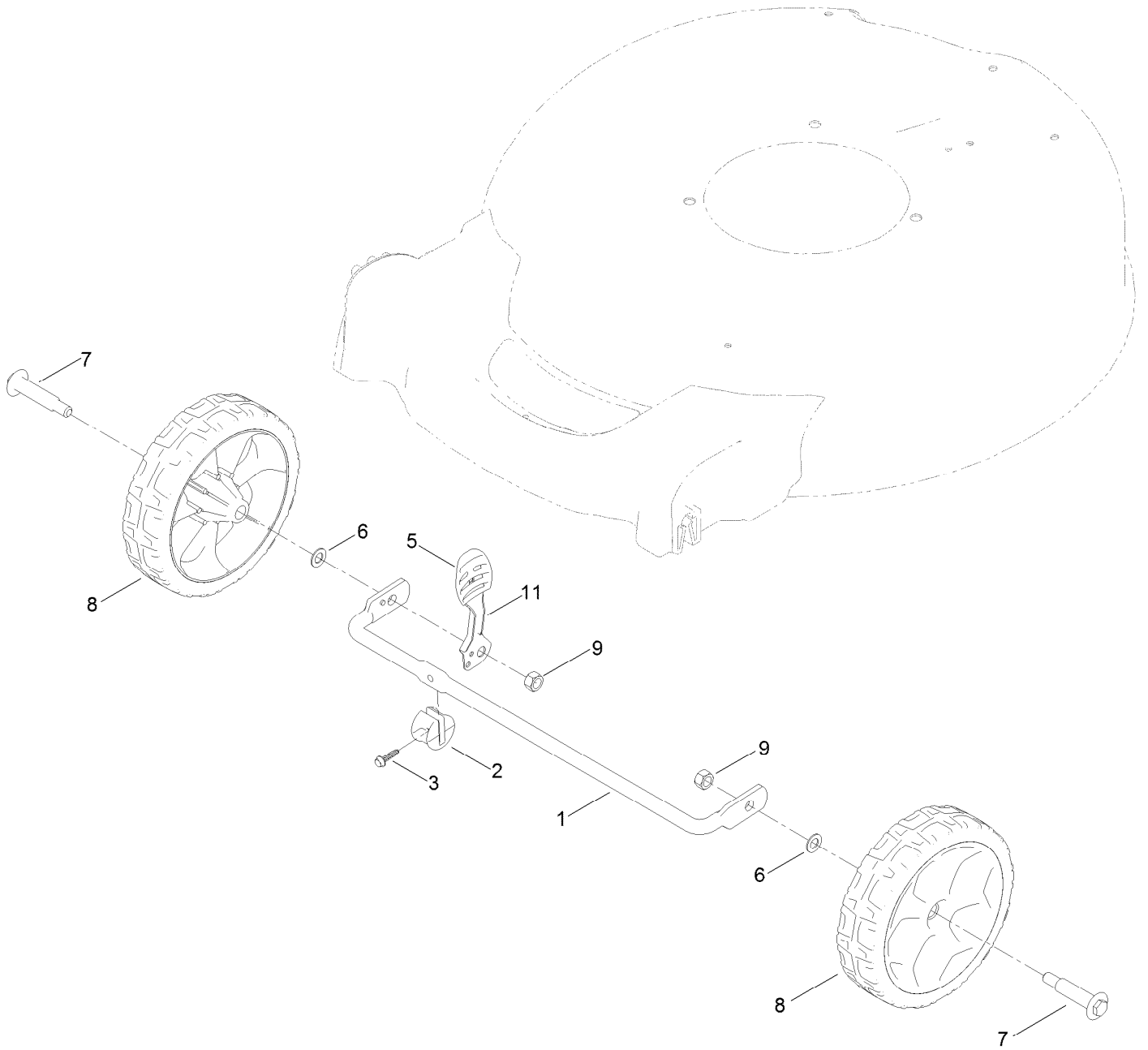
Motor Module No. 138-6660 Hood and Upper Shroud Assembly



Motor Module No. 138-6660
Hood and Upper Shroud Assembly (continued)

<i>Ref.</i>	<i>Part Number</i>	<i>Qty.</i>	<i>Description</i>	<i>Ref.</i>	<i>Part Number</i>	<i>Qty.</i>	<i>Description</i>
1	139-6638	1	Shroud-Upper	5	139-6640	1	Spring-LH
2	114-5896	2	Magnet	6	139-6641	1	Spring-RH
3	130-6658	8	Screw-Flange, Plastic	7	95-4234	2	Screw-PPH
4	139-6639	1	Hood				

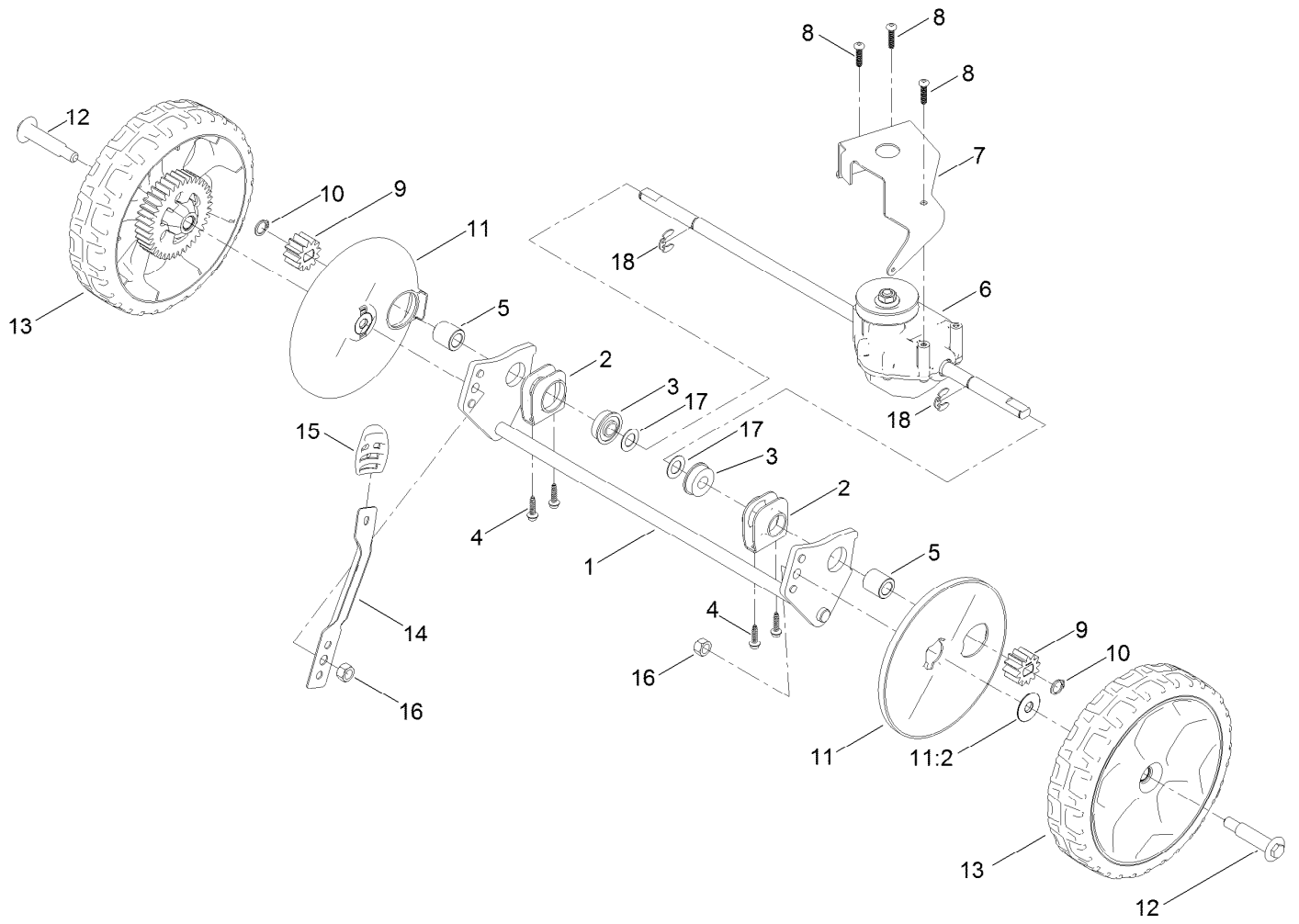
Front Wheel and Height-of-Cut Assembly



Front Wheel and Height-of-Cut Assembly (continued)

<i>Ref.</i>	<i>Part Number</i>	<i>Qty.</i>	<i>Description</i>	<i>Ref.</i>	<i>Part Number</i>	<i>Qty.</i>	<i>Description</i>
1	127-0668-03	1	Axle-Front	7	92-1057	2	Bolt-Shoulder
2	127-6800	1	Stop-Axle	8	127-0683	2	7 Inch Wheel ASM
3	127-6831	1	Screw-HWH	9	603773	2	Locknut
5	105-3042	1	Knob-Lever, HOC	11	133-8154	1	Arm-Spring
6	40-1940	2	Washer				

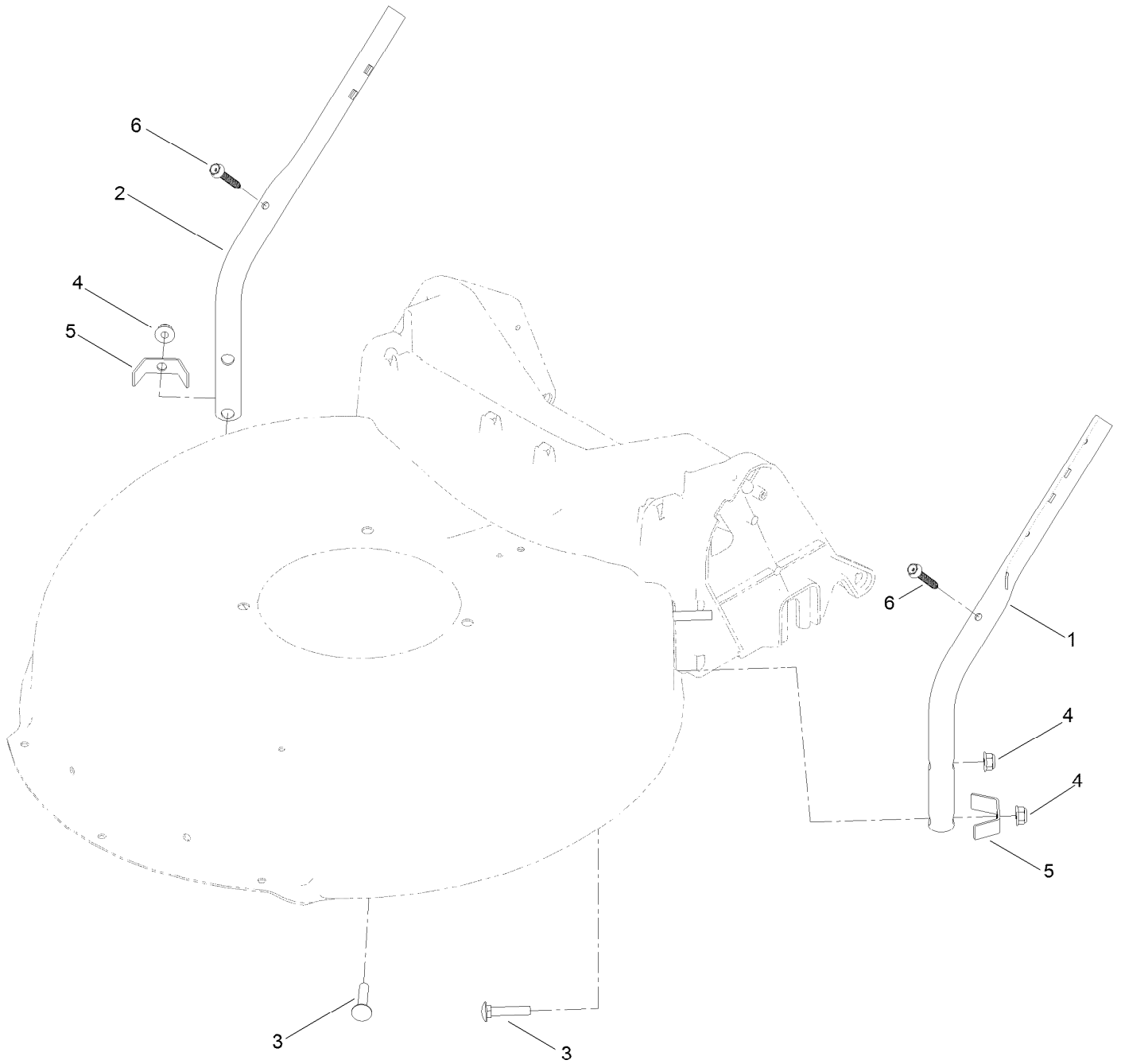
Rear Wheel and Height-of-Cut Assembly



Rear Wheel and Height-of-Cut Assembly (continued)

<i>Ref.</i>	<i>Part Number</i>	<i>Qty.</i>	<i>Description</i>	<i>Ref.</i>	<i>Part Number</i>	<i>Qty.</i>	<i>Description</i>
1	127-0708-03	1	Axle-Rear	11	127-6840	2	Wheel Cover ASM
2	138-3234	2	Retainer-Bearing	11:2	614426	1	Washer-Stepped
3	104-8699	2	Bearing-Ball	12	92-1057	2	Bolt-Shoulder
4	127-6831	4	Screw-HWH	13	127-0692	2	8 Inch Wheel Gear ASM
5	127-6896	2	Bushing-Sleeve	14	127-0711	1	Arm-Spring
6	131-0881	1	Transmission	15	105-3042	1	Knob-Lever, HOC
7	114-7977-03	1	Bracket-Transmission	16	603773	2	Locknut
8	108-7476	3	Screw-Plastite	17	36-4780	2	Washer-Plain
9	115-4668	2	Gear-Pinion	18	65-2720	2	Ring-Retaining, Clip
10	32151-61	2	Ring-Retaining				

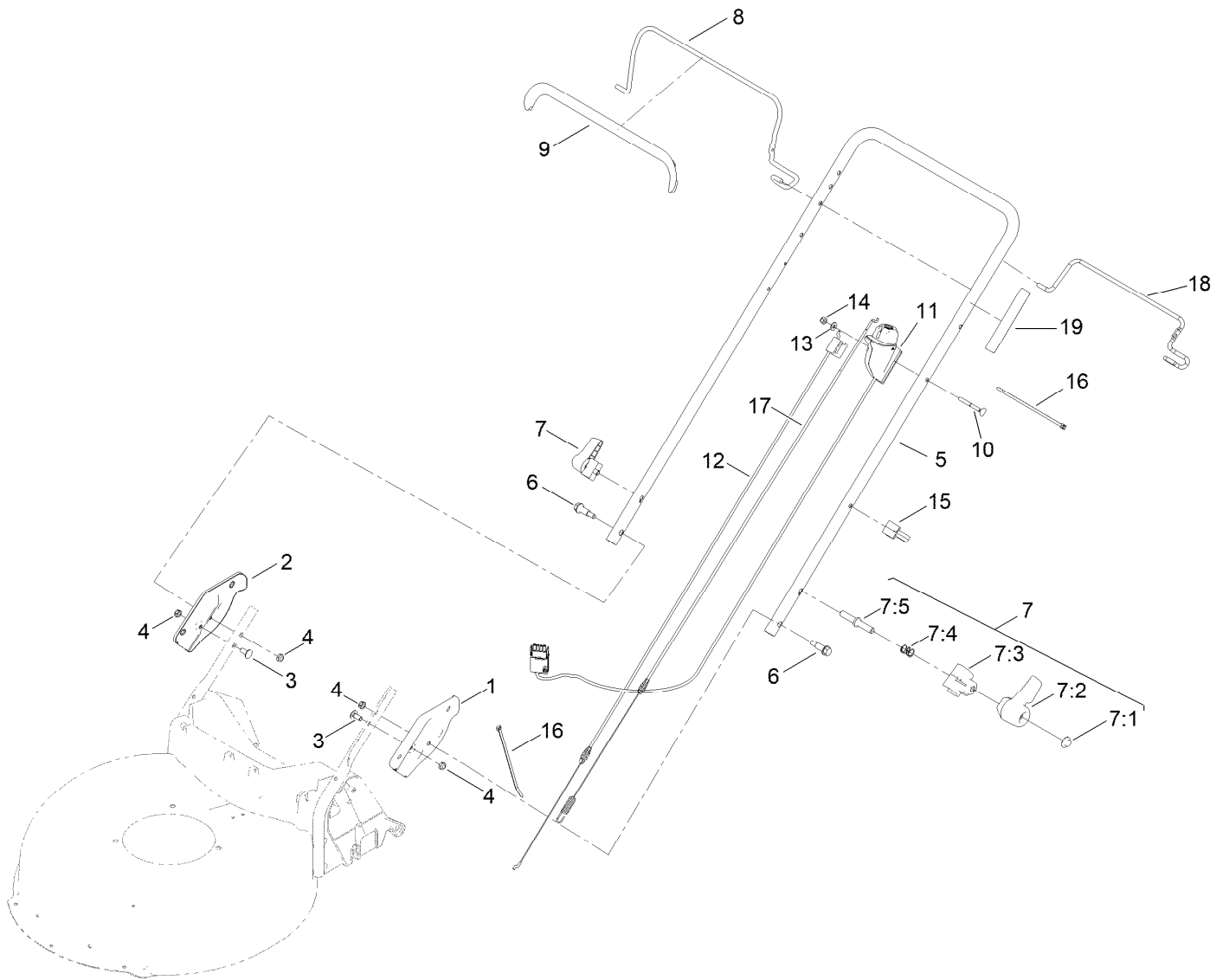
Lower Handle Assembly



Lower Handle Assembly (continued)

<i>Ref.</i>	<i>Part Number</i>	<i>Qty.</i>	<i>Description</i>	<i>Ref.</i>	<i>Part Number</i>	<i>Qty.</i>	<i>Description</i>
1	136-5923-05	1	Handle-Lower, LH	4	130-6655	4	Nut-Flange, NI
2	136-5924-05	1	Handle-Lower, RH	5	127-0699	2	Bracket-Chute
3	130-6654	4	Bolt-CARR	6	130-6659	2	Screw-Flange, Serrated

Upper Handle Assembly



Upper Handle Assembly (continued)

<i>Ref.</i>	<i>Part Number</i>	<i>Qty.</i>	<i>Description</i>	<i>Ref.</i>	<i>Part Number</i>	<i>Qty.</i>	<i>Description</i>
1	140-3973-05	1	Plate-Handle, LH	8	138-3269-03	1	Bail-Brake
2	140-3974-05	1	Plate-Handle, RH	9	127-6847	1	Cover-Bail
3	137-3061	2	Bolt-CARR	10	92-2270	1	Screw-Handle
4	137-3089	4	Nut-Hex	11	133-8140	1	Starter Switch ASM
5	131-4569-05	1	Handle	12	137-9169	1	Cable-Brake, HP
6	140-3759	2	Bolt-Shoulder,HHF	13	3256-1	1	Washer-Flat
7	138-3249	2	Quick Release ASM	14	3296-73	1	Nut-Lock, NI
7:1	140-4157	1	Nut-Push	15	114-7988	1	Guide-Cable
7:2	138-3248	1	Lever-Release	16	614249	2	Tie-Cable
7:3	138-3253	1	Anchor-Spring	17	127-0733	1	Cable-Traction
7:4	115-2858	1	Spring-Compression	18	131-0835-03	1	Bail-Traction
7:5	140-4158	1	Rod-Release	19	144-3175	1	Decal-Controls (60V Start)

Attachments and Accessories

For 21356T Flex-Force Power System 60V MAX 21in Recycler Lawn Mower with SmartStow

Product Name	Model/Part
60V Battery Charger 2 AMP	88602
Side-Discharge Deflector, 2013 and After 21in Steel Deck Mower	136-7060
Lawnmower Cover.....	490-7462
Lawn Striping Kit with 22in Roller.....	20601
Bag-Walk Behind (Toro).....	490-7318
60V LI-ION, Battery 4.0 AH	88640
60V LI-ION Battery 5.0 AH.....	88650
60V LI-ION Battery 6.0 AH.....	88660
60V LI-ION Battery 7.5 AH.....	88675
60V Cordless Blower (Bare Tool).....	51820T
60V Cordless Trimmer (Bare Tool).....	51830T

Notes:



Count on it.