



Count on it.

Parts Catalog

ProPass 200

Top Dresser with Twin Spinner and Wireless Control

Model No. 44751—Serial No. 411700000 and Up



Ordering Replacement Parts

To order replacement parts, please supply the part number, the quantity, and the description of each part desired.

Understanding Reference Numbers

Each identified part in an illustration has a reference number. The reference number for a part also appears in the parts list, along with other information about the part.

This catalog uses two special reference number formats, one to indicate parts in a service assembly and another to indicate the quantity of a given part in an illustration.

Service Assembly Reference Numbers

Parts in service assemblies have reference numbers in the form a:b. The a represents the reference number of the entire service assembly and the b represents a sequential number unique to each part within the service assembly.

For example, a wheel assembly might be identified by reference number 6, the tire by 6:1, the valve by 6:2, and the wheel by 6:3. When you order the assembly identified by reference number 6, you receive all parts identified by reference numbers 6:1, 6:2, and 6:3. However, you may also order any part individually. Reference numbers of this type appear in illustration and in parts lists.

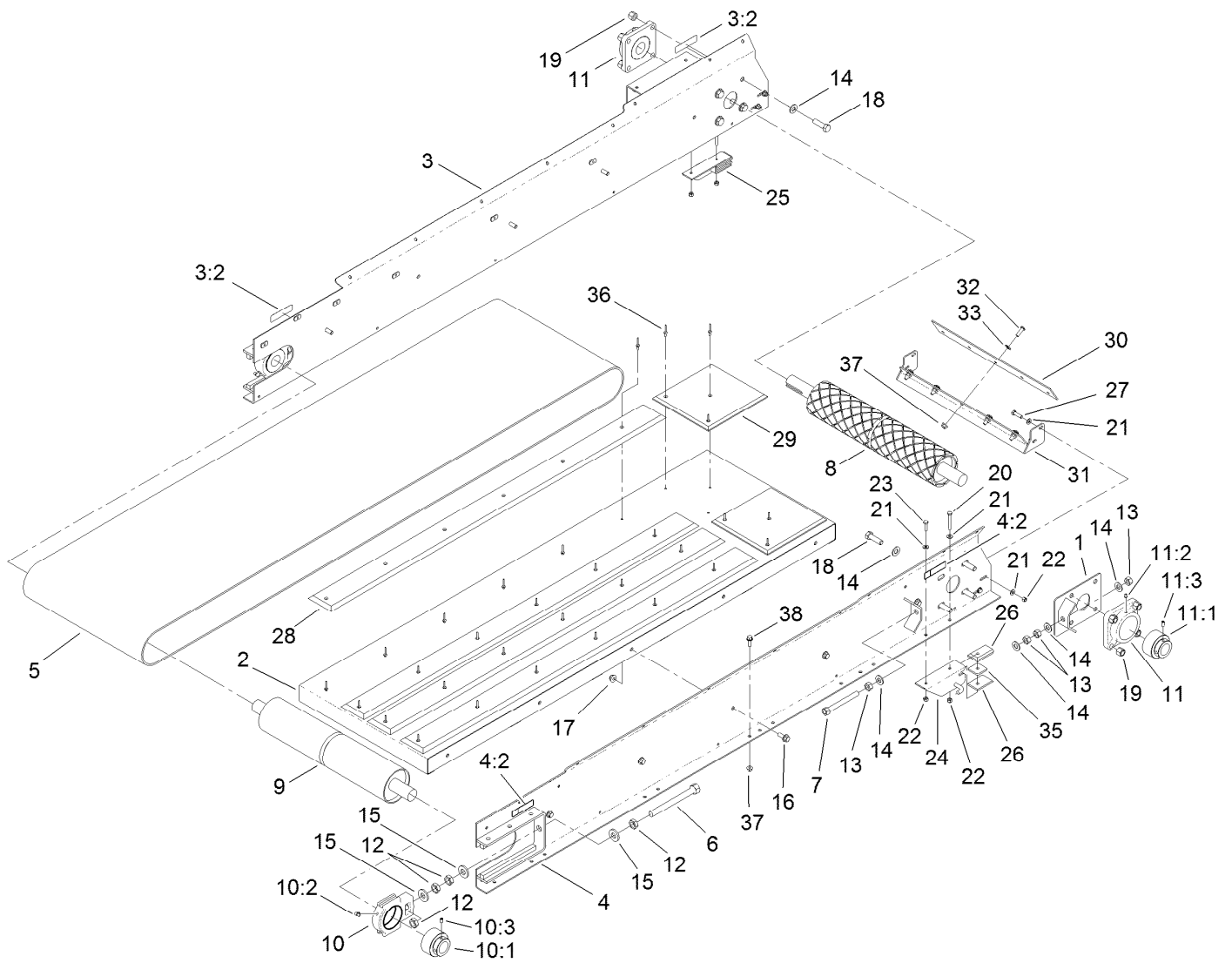
Reference Numbers Indicating Quantity

In an illustration, if a reference number indicates more than one part, the reference number has the form nX y. The n represents the quantity of the part, the X is the multiplication symbol, and the y represents the reference number.

For example, in an illustration, the reference number 2X 37 means that two of the parts identified by reference number 37 are indicated.

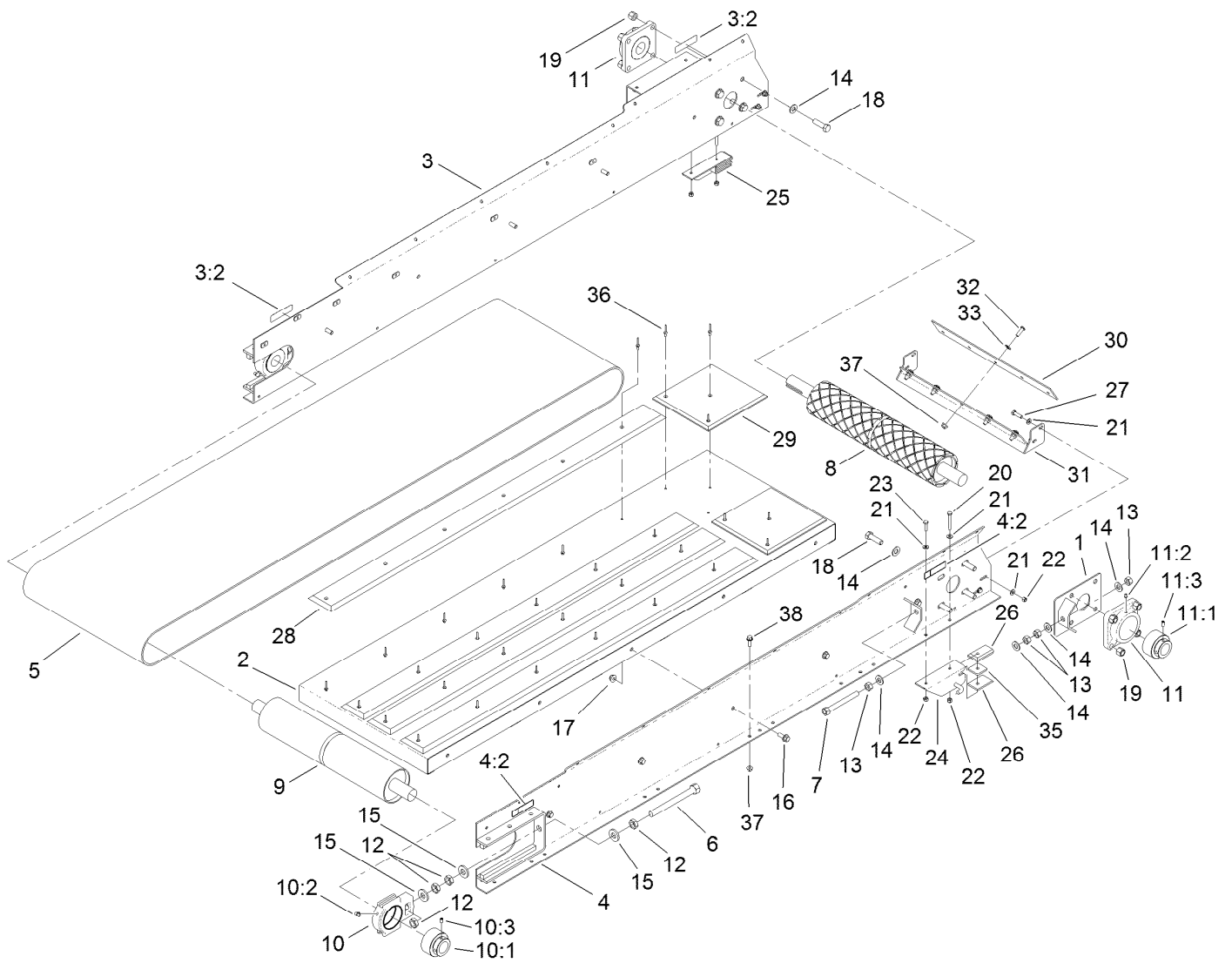
Contents

Bed Assembly	4
Bed Cover Assembly	6
Belt Drive Assembly	7
Hopper Assembly	8
Tailgate Assembly	9
Hydraulic System Assembly	10
Hydraulic Block Assembly No. 137-8240	12
Twin Spinner Hydraulic Assembly	13
Twin Spinner Interlock Assembly	14
Hydraulic Motor Assembly No. T0001-9863	16
Access Guard Assembly No. 144-3533	17
Electrical Assembly	18
Attachments and Accessories	20



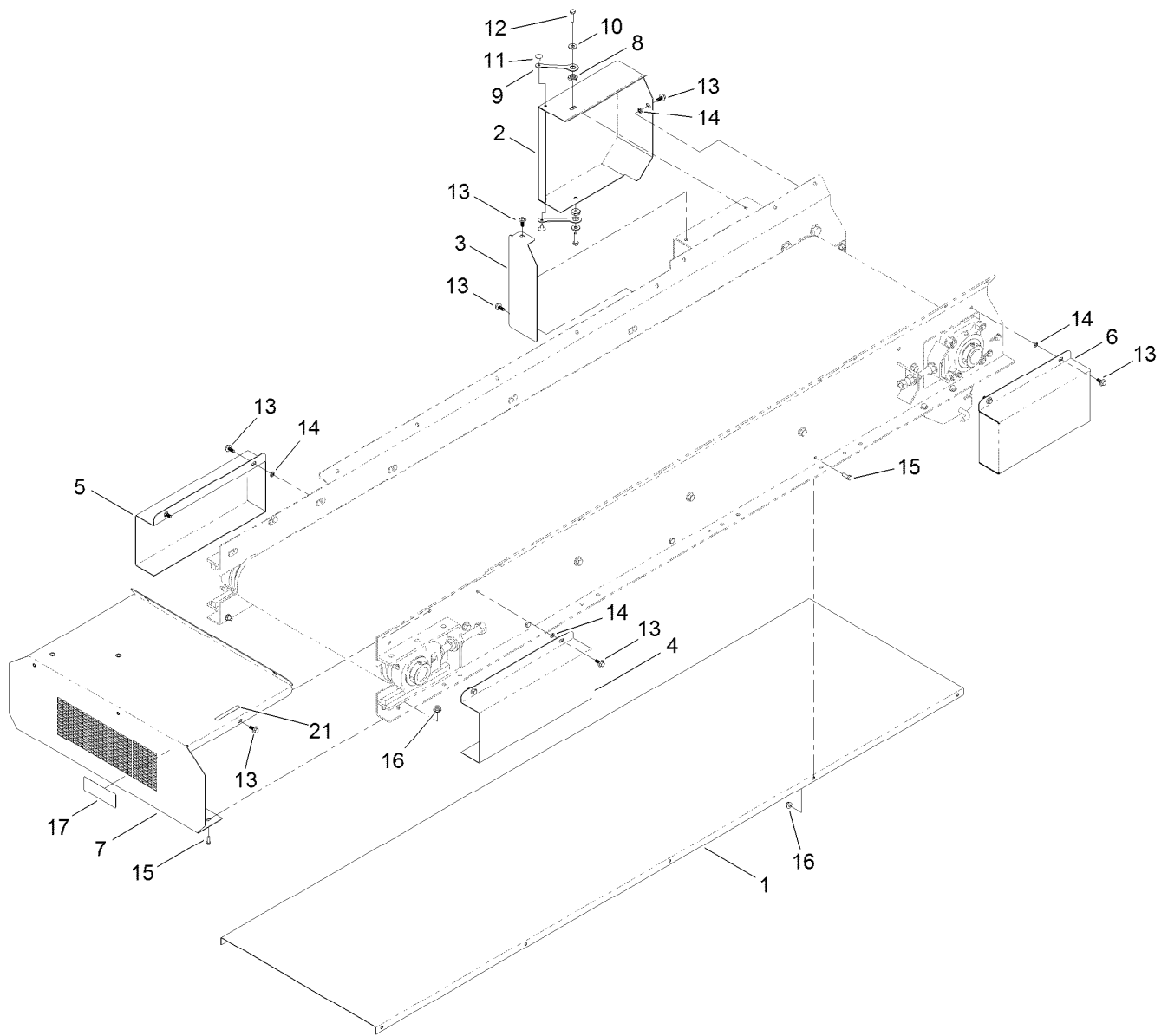
Bed Assembly

Ref.	Part Number	Qty.	Description	Ref.	Part Number	Qty.	Description
1	T36051675-01	1	Plate-Alignment	14	3256-26	12	Washer-Flat
2	T36051600-01	1	Bed-Conveyor	15	99-7667	6	Washer-Flat
3	119-6797	1	Right Conveyor Side ASM	16	3234-42	10	Screw-HHF
3:2	119-0217	2	Decal-Danger	17	104-8301	10	Nut-HF, NI
4	119-6796	1	Left Conveyor ASM	18	325-7	8	Screw-HH
4:2	119-0217	2	Decal-Danger	19	3296-23	8	Nut-Lock, NI
5	T60191015	1	Belt-Conveyor	20	321-11	2	Screw-HH
6	T36051670-01	2	Rod-Tensioner	21	3256-22	12	Washer-Flat
7	T36051660-01	1	Rod-Alignment	22	3296-42	8	Nut-Lock, NI
8	T36051610	1	Roller-Drive	23	321-6	2	Screw-HH
9	T36051620	1	Roller-Idler	24	T36051560-01	1	Attachment-Left
10	T60114107	2	Take-Up Bearing ASM	25	T36051570-01	1	Attachment-Right
10:1	119-6902	1	Bearing-Collar Lock	26	T36051580	4	Bar-Bearing
10:2	302-40	1	Fitting-Grease, 90 DEG	27	321-4	4	Screw-HH
10:3	3246-17	1	Setscrew-HSH	28	T36051690	4	Slider-Belt
11	T60116255	2	4-Bolt Bearing ASM	29	T36051680	2	Slider-Belt, Rear
11:1	119-6902	1	Bearing-Collar Lock	30	T36051135	1	Plate-Scraper
11:2	302-19	1	Fitting-Grease	31	T36051132-01	1	Scraper
11:3	3246-17	1	Setscrew-HSH	32	119-6903	5	Screw-HSBH
12	3220-6	8	Nut-Jam	33	107-0279	5	Washer
13	3217-9	4	Nut-HH	35	T0000-2189	2	Spacer-Attachment



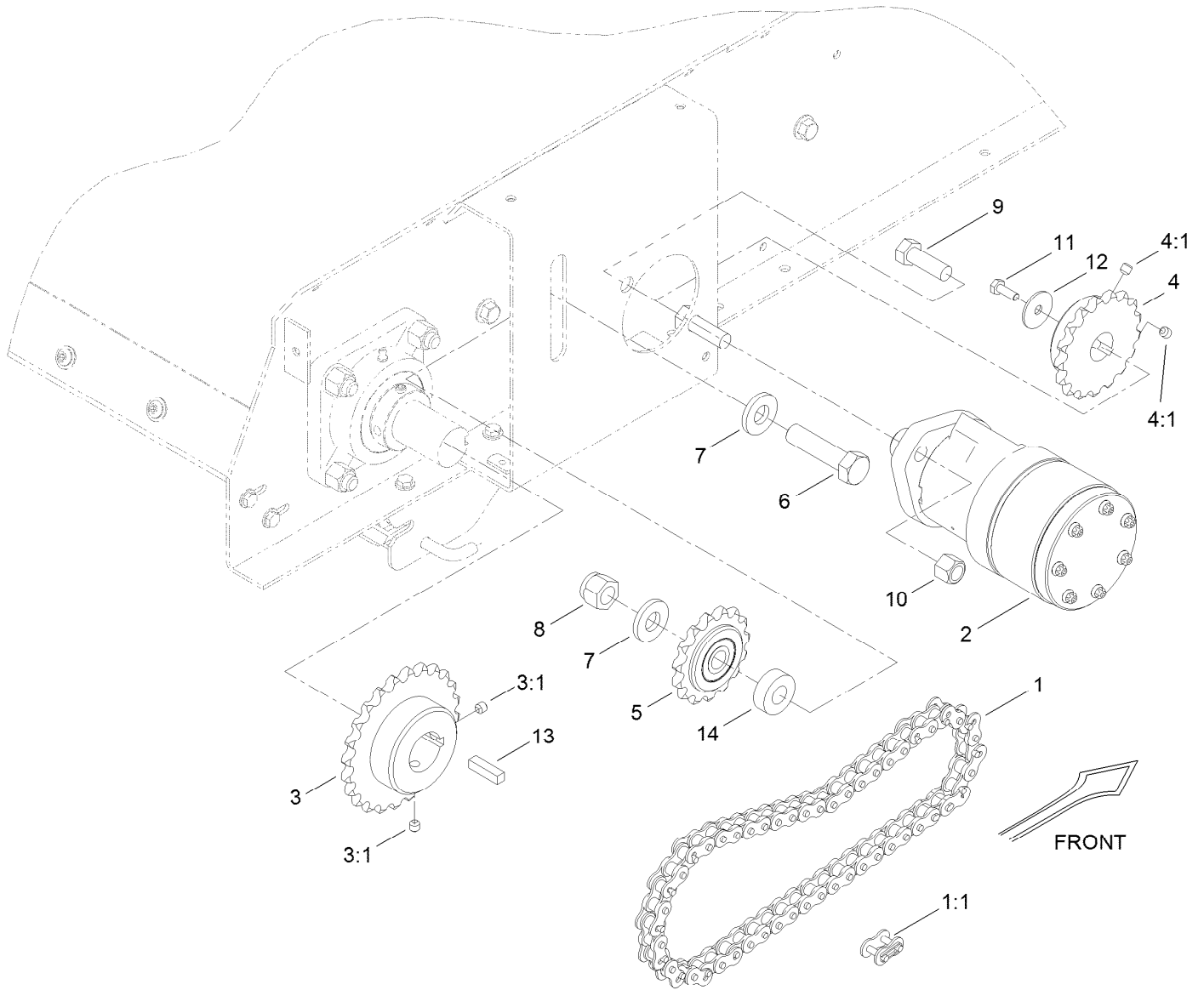
Bed Assembly (continued)

<i>Ref.</i>	<i>Part Number</i>	<i>Qty.</i>	<i>Description</i>	<i>Ref.</i>	<i>Part Number</i>	<i>Qty.</i>	<i>Description</i>
36	3269-4	30	Rivet-Pop	37	104-8300	15	Nut-HF, NI
				38	3234-29	10	Screw-HHF



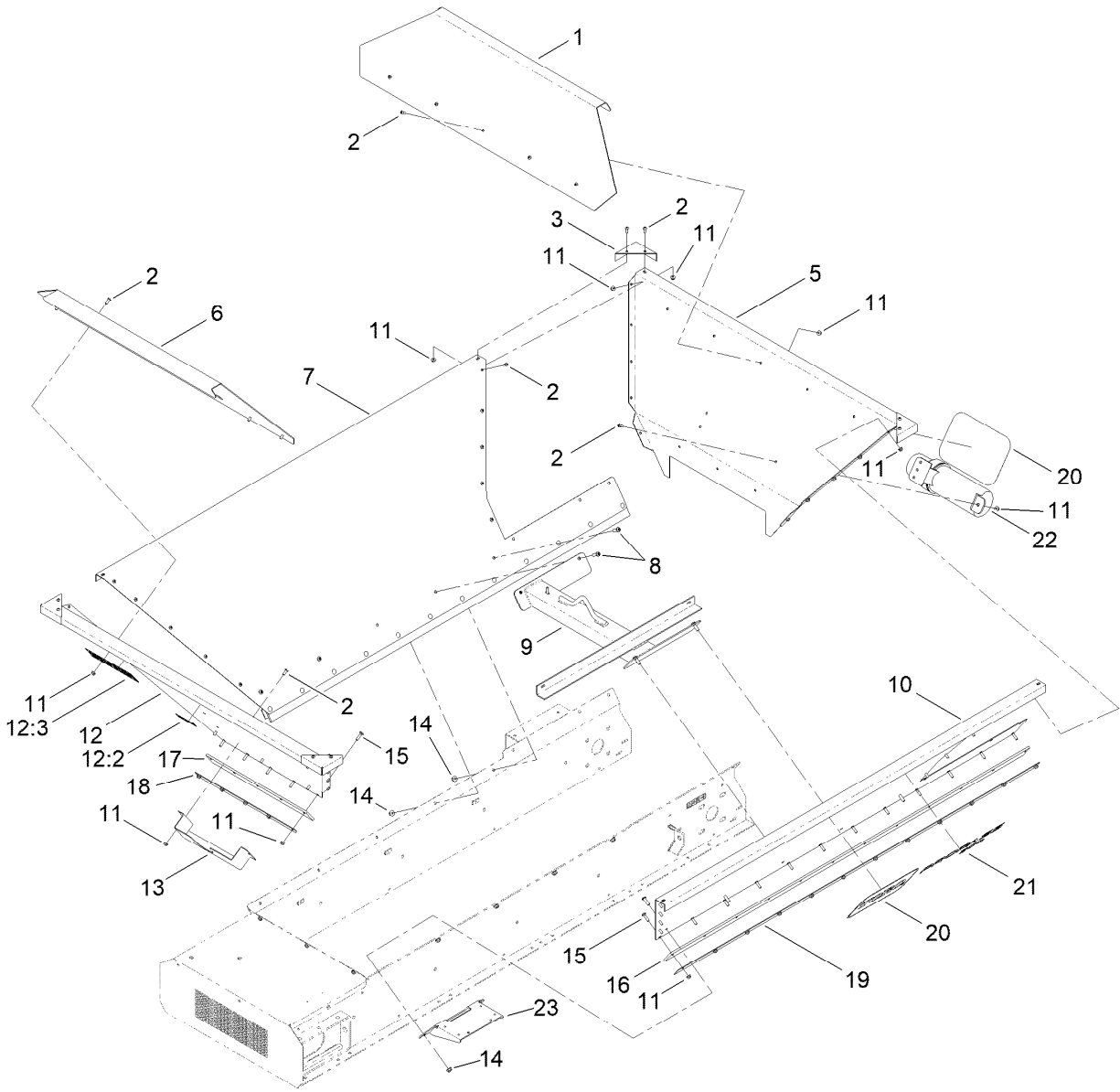
Bed Cover Assembly

<i>Ref.</i>	<i>Part Number</i>	<i>Qty.</i>	<i>Description</i>	<i>Ref.</i>	<i>Part Number</i>	<i>Qty.</i>	<i>Description</i>
1	T36051704	1	Guard-Bottom	10	3256-2	2	Washer-Flat
2	T36051640-03	1	Guard-Drive, RH	11	146489	2	Rivet
3	T36051645-01	1	Cap-Guard	12	321-6	2	Screw-HH
4	T36051630-03	1	Guard-Idler, LH	13	99-6810	12	Screw-HHF
5	T36051635-03	1	Guard-Idler, RH	14	32115-15	7	Nut-Push
6	T36051650-03	1	Guard-Drive, LH	15	321-4	12	Screw-HH
7	130-8585-01	1	Guard-Rinse	16	104-7201	12	Nut-HF, NI
8	119-0851	2	Nut-Shoulder	17	119-6809	1	Decal-Clean Out
9	117-8339	2	Lanyard-3 Inch	21	133-8061	1	Decal-Warning



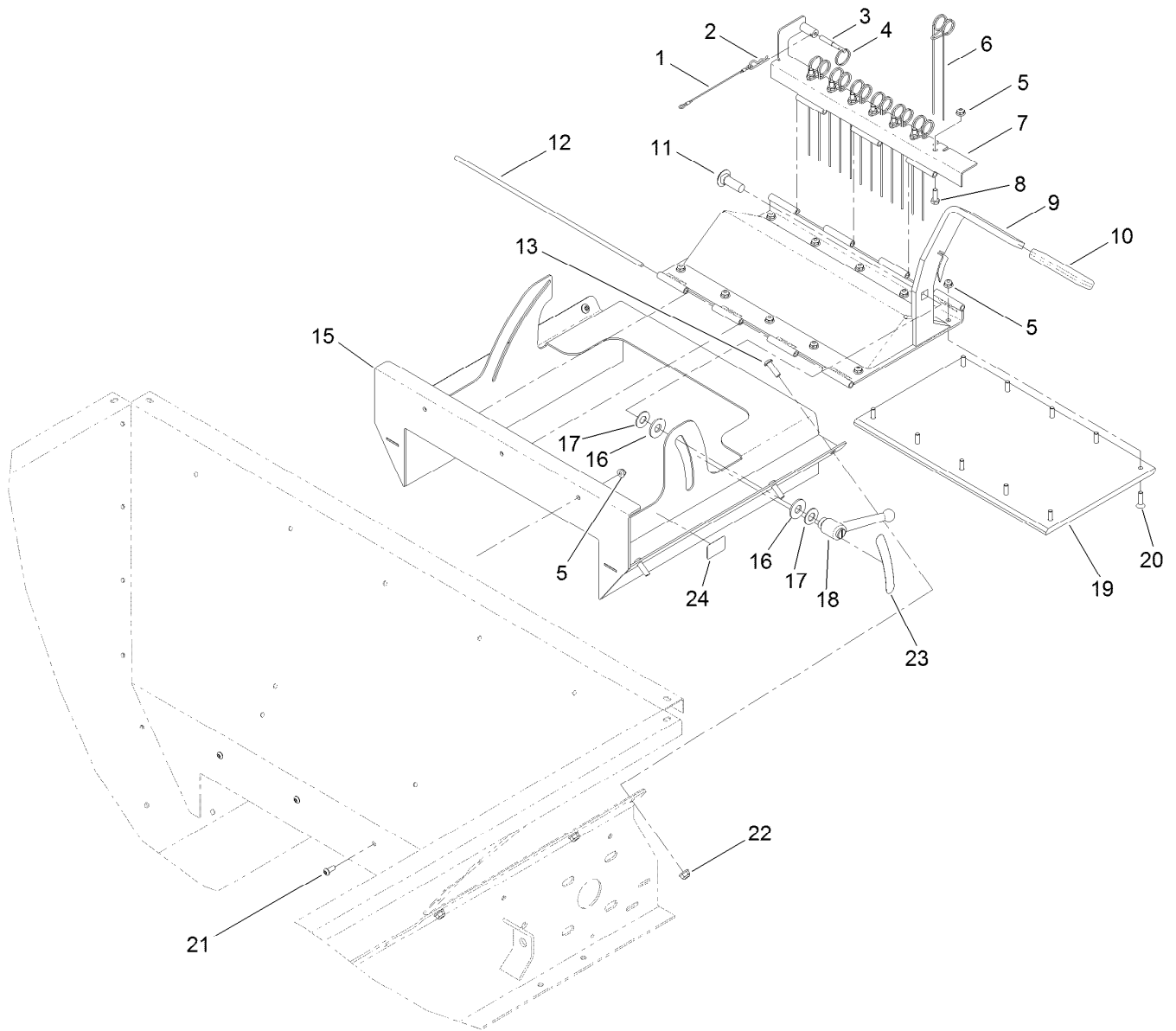
Belt Drive Assembly

Ref.	Part Number	Qty.	Description	Ref.	Part Number	Qty.	Description
1	T0000-7790	1	Chain-Drive, #50	7	99-7667	2	Washer-Flat
1:1	T60151066	1	Link-Connector, #50	8	3296-53	1	Nut-Lock, NI
2	T56011000	1	HYD Motor ASM	9	325-6	2	Screw-HH
3	T0000-6840	1	Sprocket	10	3296-23	2	Nut-Lock, NI
3:1	3246-2	2	Screw-Set, HSH	11	321-4	1	Screw-HH
4	T60133080	1	Sprocket	12	3256-57	1	Washer-Flat
4:1	3246-2	2	Screw-Set, HSH	13	T36051810	1	Key-Drive
5	T60134080	1	Sprocket-Idler	14	119-6905	1	Spacer
6	327-8	1	Screw-HH				



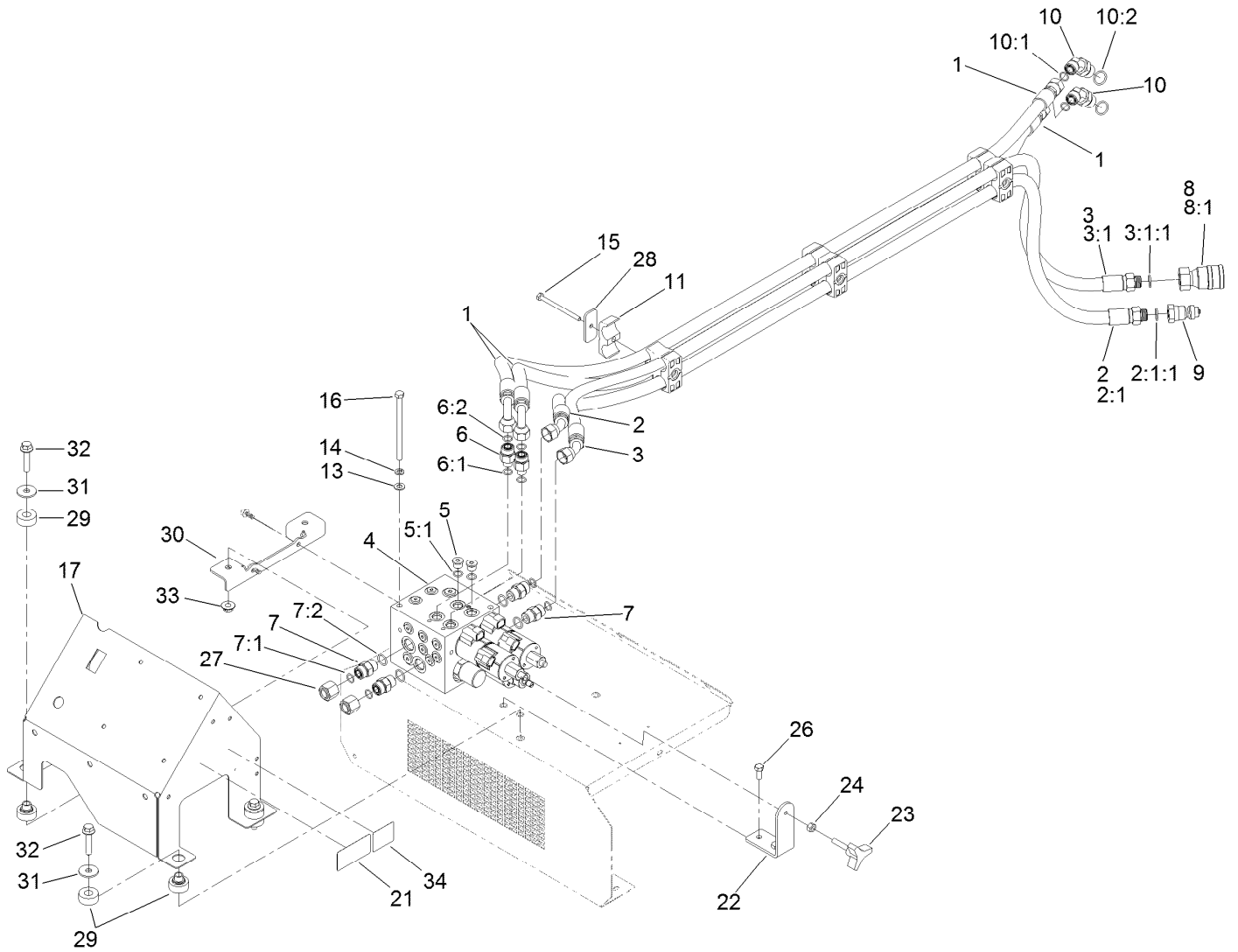
Hopper Assembly

Ref.	Part Number	Qty.	Description	Ref.	Part Number	Qty.	Description
1	T0001-2184-01	1	Extension-Hopper, Rear	12:3	119-6806	1	Decal-Danger
2	119-6906	54	Screw-HSBH	13	T36016084-01	1	Pocket-Control, Wireless
3	T36051116-01	4	Cap-Corner	14	104-8300	10	Nut-HF, NI
5	T0000-7799-01	1	Wall-Hopper, Rear	15	3229-2	29	Screw-CARR
6	T0001-1626-01	1	Extension-Hopper, Front	16	T01-34550B	2	Skirt-Conveyor, Rubber
7	T36051112-01	1	Wall-Hopper, Right	17	T01-34551B	1	Rubber-Seal, Front
8	119-6903	10	Screw-HSBH	18	T36051140-01	1	Retainer-Skirt, Front
9	T01-44788D-03	1	Lift	19	T36051540-01	2	Retainer-Skirt, Conveyor
10	T36051108-01	1	Wall-Hopper, Left	20	66-6140	3	Decal
11	104-7201	83	Nut-HF, NI	21	119-6801	2	Decal
12	119-6795	1	Wall-Hopper, Front	22	T0004-1839	1	Canister-Manual
12:2	119-0217	1	Decal-Danger	23	140-6761-01	1	Plate-Mount [red]



Tailgate Assembly

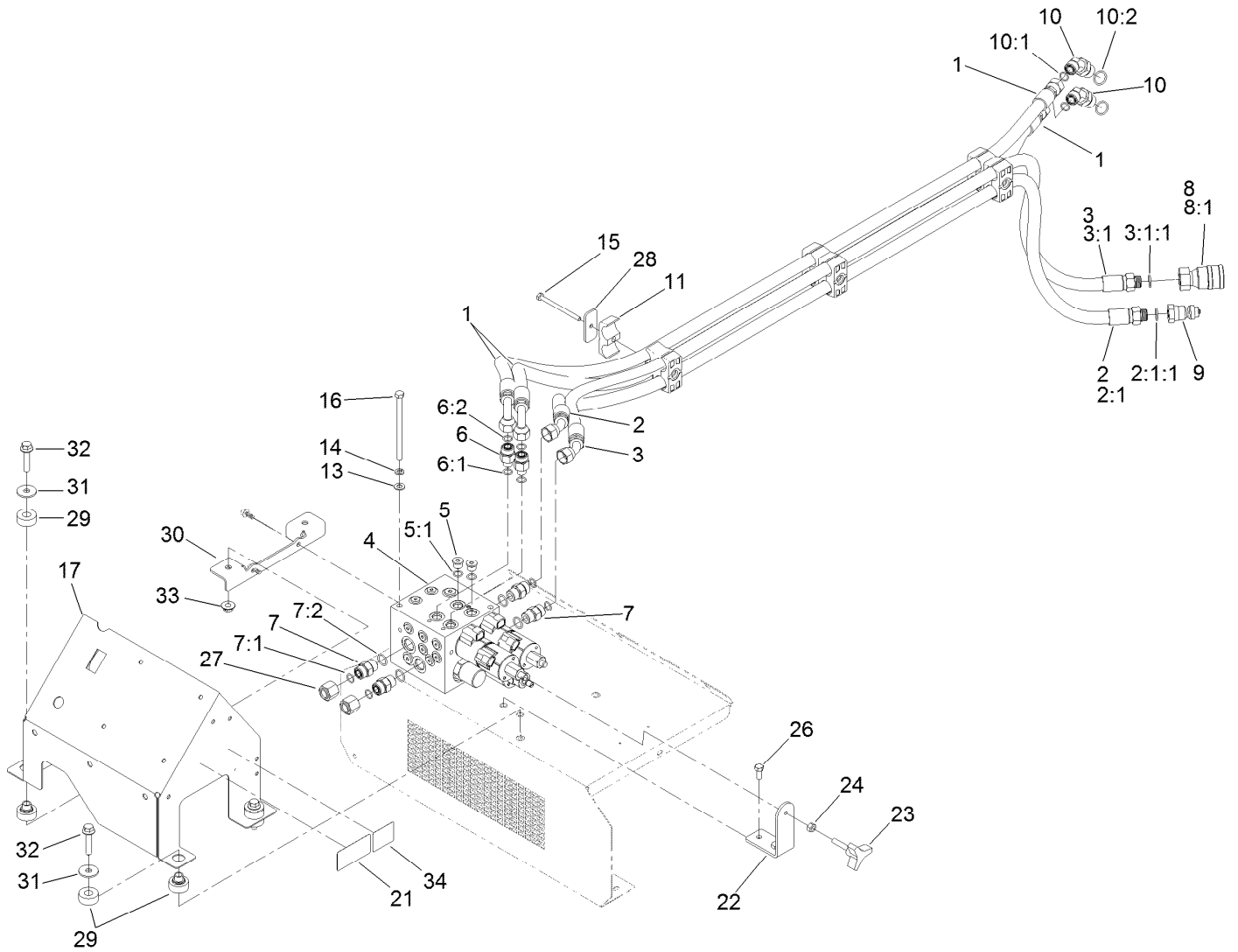
<i>Ref.</i>	<i>Part Number</i>	<i>Qty.</i>	<i>Description</i>	<i>Ref.</i>	<i>Part Number</i>	<i>Qty.</i>	<i>Description</i>
1	28-8070	1	Lanyard	13	119-6903	6	Screw-HSBH
2	3290-467	1	Pin-Hair	15	T0000-2561-01	1	Frame-Gate
3	T0001-6926	1	Pin-Tailgate	16	T0000-2623	2	Washer-Poly
4	106-1392	1	Ring-Retaining, Spiral (EXT)	17	110-6894	2	Washer-Pivot
5	104-7201	20	Nut-HF, NI	18	T0002-0682	1	Handle-Adjustable
6	T0000-2597	7	Tine-Gate	19	T36051127	1	Pad-Wear, Gate
7	T0000-2588-01	1	Mount-Tine, Gate	20	3290-141	10	Screw-HSFH
8	321-4	7	Screw-HH	21	119-6906	3	Screw-HSBH
9	T0000-2564-01	1	Gate	22	104-8300	6	Nut-HF, NI
10	T62021000	1	Grip-Handle	23	119-6808	1	Decal-Volume
11	3233-2	1	Screw-CARR	24	119-6818	1	Decal-Tail Gate
12	T0000-2585	2	Rod-Hinge				



Hydraulic System Assembly

Ref.	Part Number	Qty.	Description	Ref.	Part Number	Qty.	Description
1	119-6945	2	HYD Hose ASM	9	98-4698	1	Male-Disconnect, Quick
2	119-6946	1	HYD Hose ASM	10	340-89	2	Fitting-HYD, 45 DEG
2:1		1	Fitting-Straight ●	10:1	237-30	1	O-Ring
2:1:1	237-79	1	O-Ring	10:2	237-80	1	O-Ring
3	119-6947	1	HYD Hose ASM	11	56-7974	12	Clamp-Tube
3:1		1	Fitting-Straight ●	13	3256-23	2	Washer-Plain
3:1:1	237-79	1	O-Ring	14	3253-4	2	Washer-Lock
4	137-8240	1	HYD Block ASM	15	321-19	3	Screw-HH
5	353-989	2	Plug-Hex, Hollow	16	322-29	2	Screw-HH
5:1	237-42	1	O-Ring	17	137-7213-01	1	Guard-Control, HYD
6	340-5	2	Fitting-Straight	21	119-6815	1	Decal-Tighten Bolts
6:1	237-42	1	O-Ring	22	130-8584	1	Bracket-Knob
6:2	237-30	1	O-Ring	23	108-2356	1	Knob
7	340-4	4	Fitting-Straight	24	3217-6	1	Nut-Hex
7:1	237-30	1	O-Ring	26	322-3	2	Screw-HH
7:2	237-79	1	O-Ring	27	340-152	2	Cap-HYD
8	98-4699	1	Female-Disconnect, Quick	28	T36033040	3	Plate-Clamp
8:1	100-4165	1	Seal Kit	29	121-2870	4	Mount-2 Piece

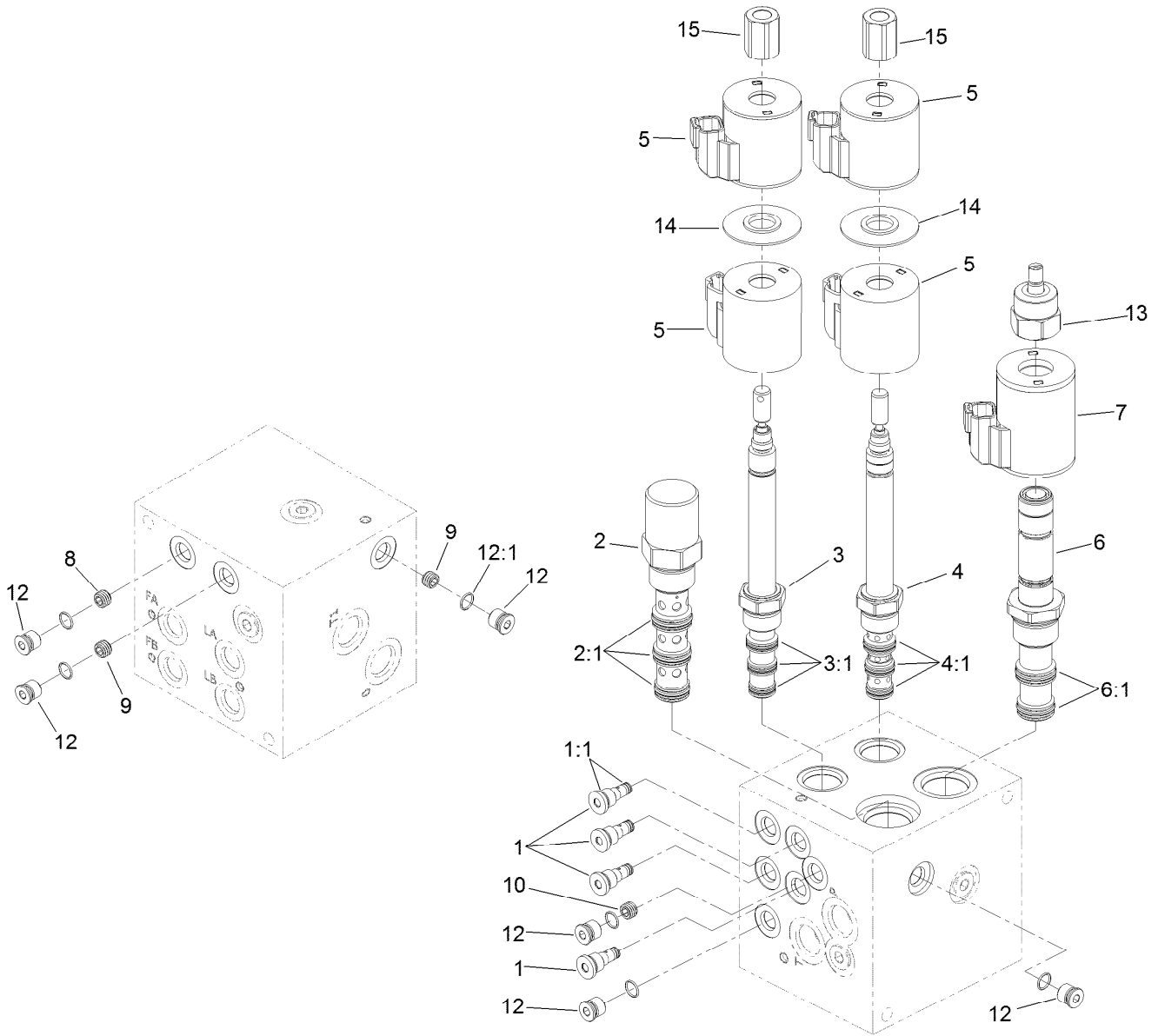
● Not serviced separately



Hydraulic System Assembly (continued)

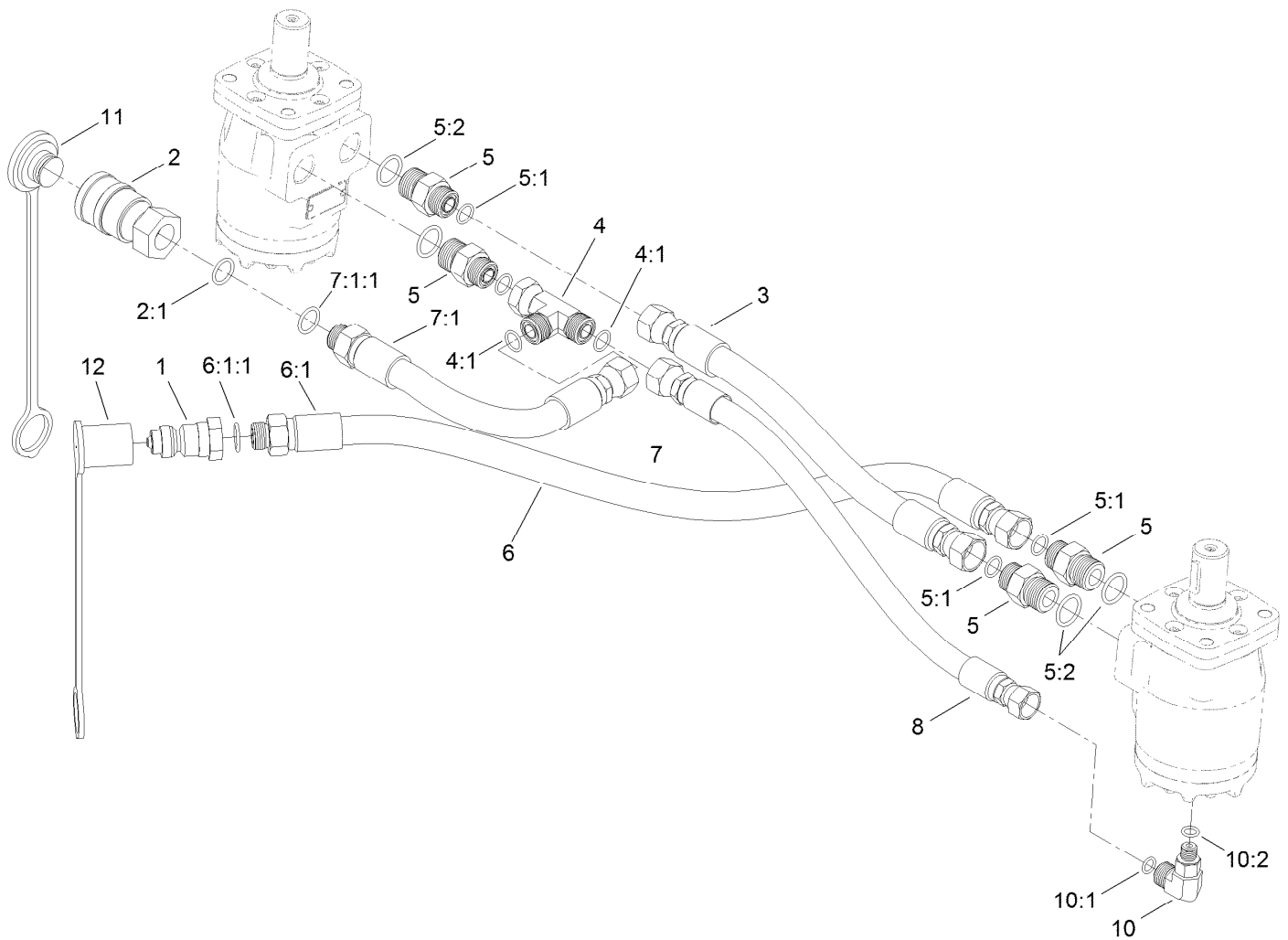
<i>Ref.</i>	<i>Part Number</i>	<i>Qty.</i>	<i>Description</i>	<i>Ref.</i>	<i>Part Number</i>	<i>Qty.</i>	<i>Description</i>
30	130-8583-01	1	Bracket-Isolation Mount	33	32128-19	2	Nut-HF Lock, Large Flg
31	93-8806	4	Washer-Hardened	34	131-6766	1	Decal-Fuses
32	3234-19	4	Screw-HHF				

● Not serviced separately



Hydraulic Block Assembly No. 137-8240

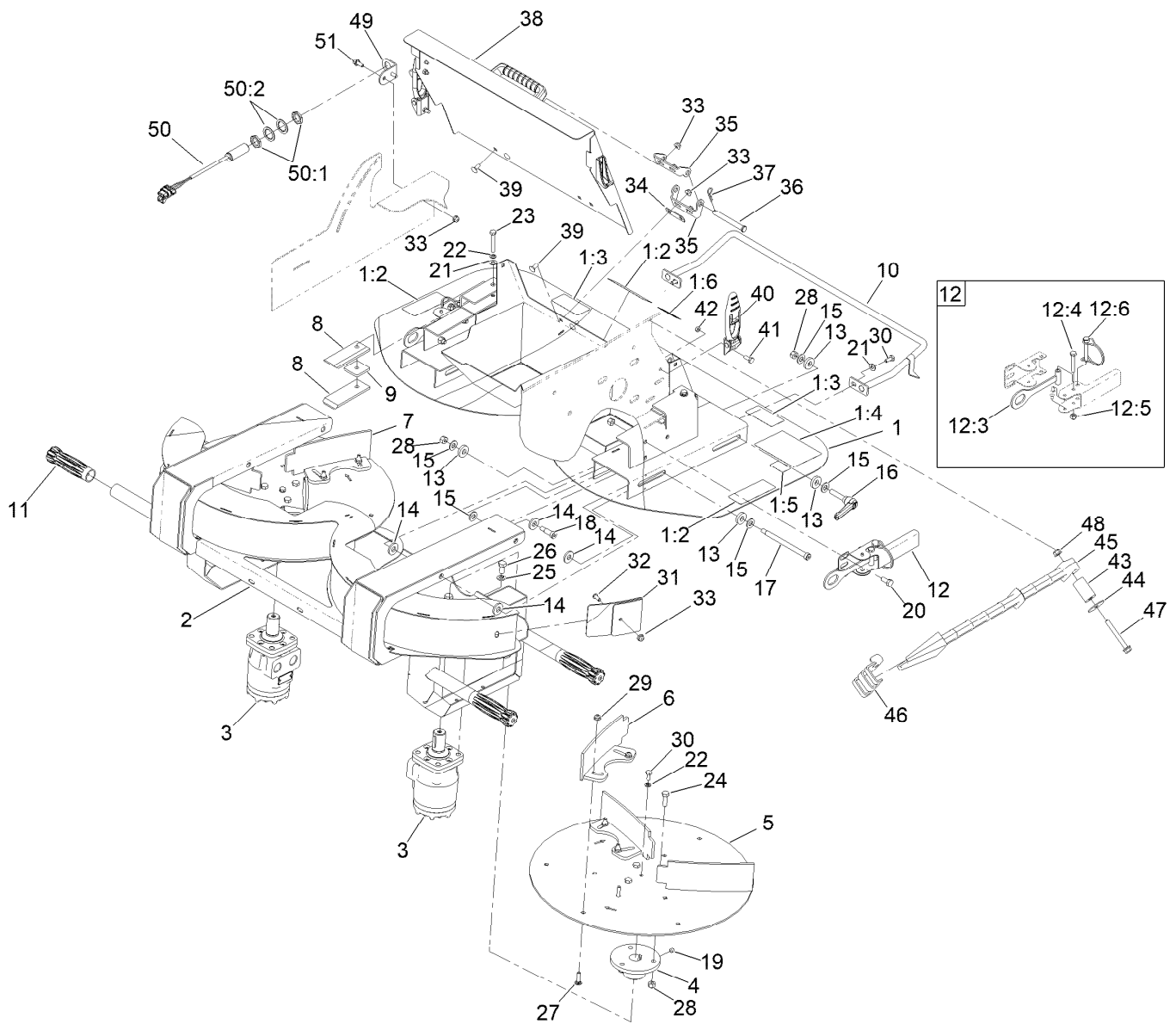
<i>Ref.</i>	<i>Part Number</i>	<i>Qty.</i>	<i>Description</i>	<i>Ref.</i>	<i>Part Number</i>	<i>Qty.</i>	<i>Description</i>
1	131-6500	4	Valve-Check	6:1	114-5515	1	Seal Kit
1:1	125-0100	1	Seal Kit	7	120-0920	1	Coil-Valve
2	120-9416	1	Valve-Pressure Compensator	8	110-8883	1	Plug-Orifice (0.040)
2:1	110-6111	1	Seal Kit	9	110-8889	2	Plug-Orifice (0.020)
3	120-9417	1	Valve-Solenoid	10	120-9422	1	Plug-Orifice (0.068)
3:1	110-8908	1	Spool Valve Seal Kit	12	353-990	4	Plug ASM
4	120-9418	1	Valve-Solenoid	12:1	237-78	1	O-Ring
4:1	110-8908	1	Spool Valve Seal Kit	13	125-0101	1	Nut-Coil
5	119-4619	4	Coil-Solenoid	14	117-8316	2	Spacer-E Coil
6	120-9420	1	Valve-Proportional Flow	15	125-0102	2	Nut-Coil



Twin Spinner Hydraulic Assembly

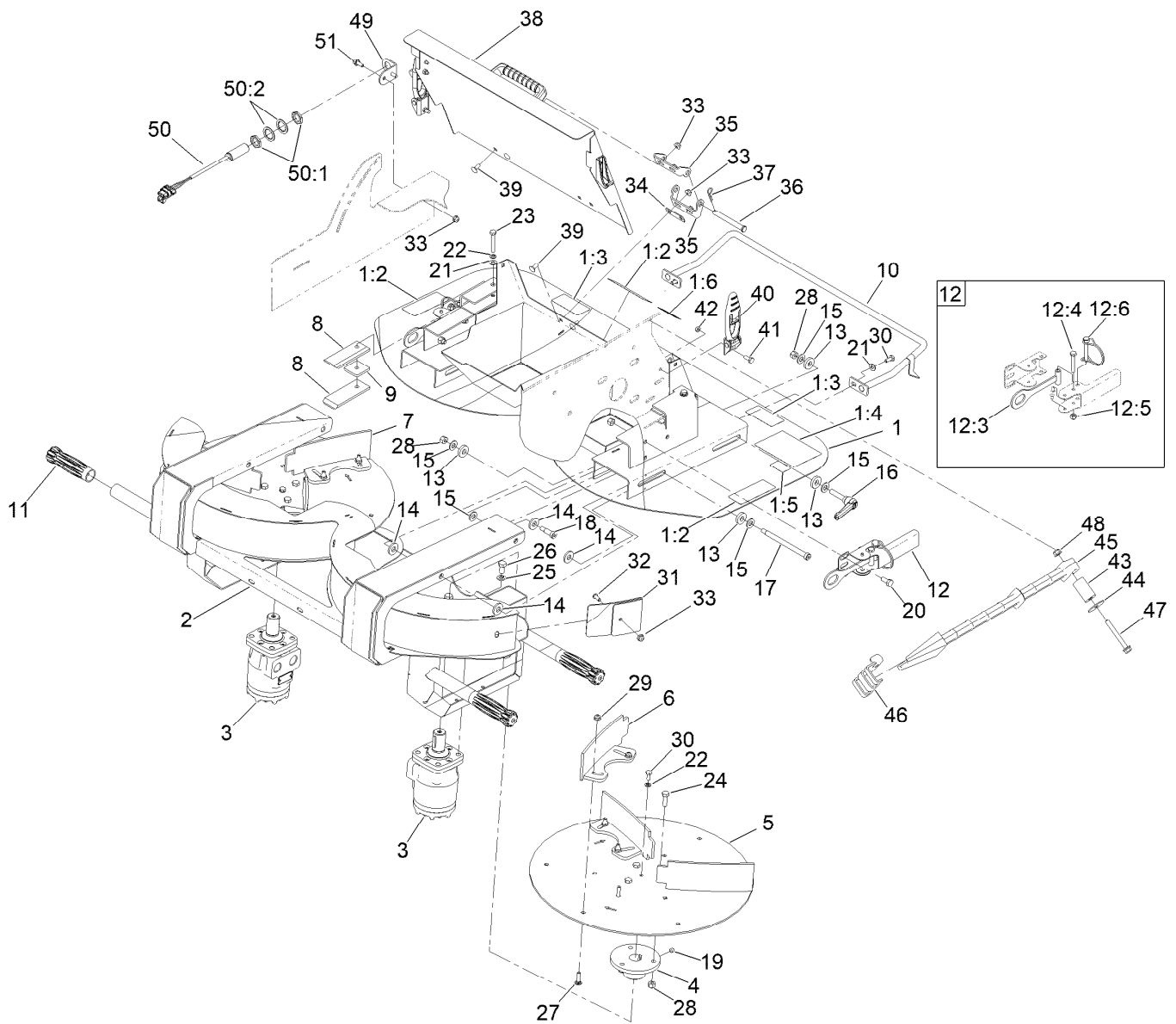
Ref.	Part Number	Qty.	Description	Ref.	Part Number	Qty.	Description
1	98-4698	1	Male-Disconnect, Quick	6:1:1	237-79	1	O-Ring
2	98-4699	1	Female-Disconnect, Quick	7	120-0812	1	HYD Hose ASM
2:1	100-4165	1	Seal Kit	7:1		1	Fitting-Straight ●
3	117-0180	1	Hose-HYD	7:1:1	237-79	1	O-Ring
4	340-104	1	Fitting-Tee	8	120-0810	1	HYD Hose ASM
4:1	237-30	2	O-Ring	10	340-97	1	Fitting-Elbow, 90 DEG
5	340-6	4	Fitting-Straight	10:1	237-22	1	O-Ring
5:1	237-30	1	O-Ring	10:2	237-78	1	O-Ring
5:2	237-80	1	O-Ring	11	T56152150	1	Plug-Quick Connect
6	120-0842	1	HYD Hose ASM	12	T56152152	1	Cap-Connect, Quick
6:1		1	Fitting-Straight ●				

● Not serviced separately



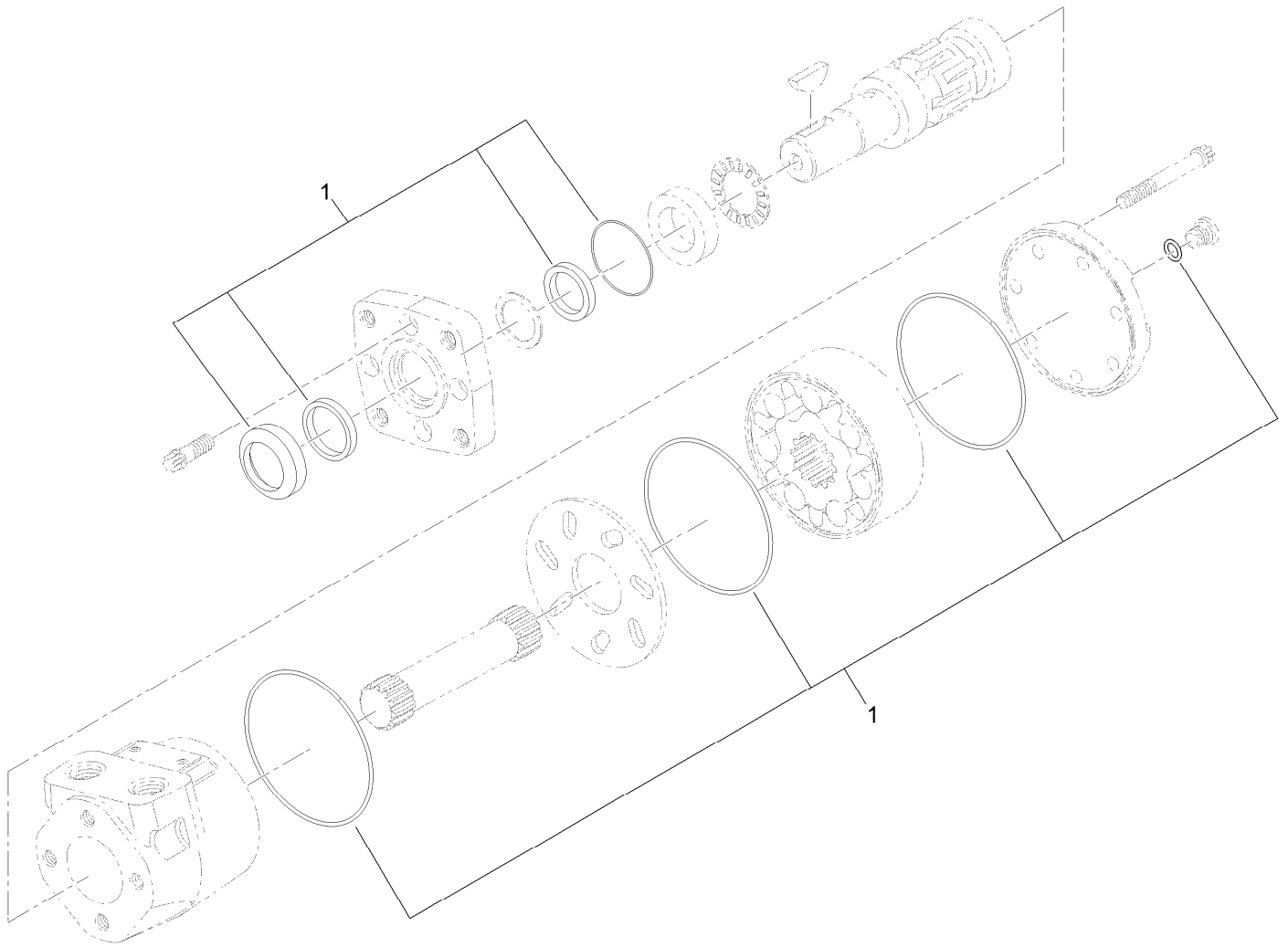
Twin Spinner Interlock Assembly

Ref.	Part Number	Qty.	Description	Ref.	Part Number	Qty.	Description
1	140-6633	1	Top Plate ASM	12:6	100-1663	1	Pin-Hitch
1:2	119-6804	3	Decal-Warning, Bystanders	13	T0000-2386	8	Washer-Plain
1:3	119-6805	2	Decal-Warning, Moving Parts	14	T0000-2160	8	Washer-Plain
1:4	119-6817	1	Decal-Fine Tuning	15	3256-24	10	Washer-Flat
1:5	119-6816	1	Decal-Adjustment, Slide	16	T0000-2676	2	Handle-Adjustable
1:6	119-6810	1	Decal-Propass, Lift	17	119-6914	2	Screw-Shoulder, HSH
2	144-3626-01	1	Housing-Twin Spinner	18	119-6915	2	Screw-Shoulder, HSH
3	T0001-9863	2	HYD Motor ASM	19	3246-2	4	Screw-Set, HSH
4	T36054780	2	Hub-Disk, Spinner	20	322-3	6	Screw-HH
5	T36054790-01	2	Disk-Spinner	21	3256-22	4	Washer-Flat
6	T0001-2003-01	3	Paddle-Curved, Left	22	3253-3	4	Washer-Lock
7	T0001-2002-01	3	Paddle-Curved, Right	23	321-10	2	Screw-HH
8	T0000-2191	4	Slide-Attachment	24	322-5	6	Screw-HH
9	T0000-2189	2	Spacer-Attachment	25	3253-21	8	Washer-Lock
10	T0000-7686-01	1	Handle-Slide	26	323-4	8	Screw-HH
11	T62021010	4	Grip-Vinyl, Black	27	119-6920	12	Bolt-Carriage
12	T36054750	2	Quick Attach Latch ASM	28	3296-29	16	Nut-Lock, NI
12:3	T0002-1281-01	1	Hook ASM	29	119-6921	12	Nut-Hex, Flange
12:4	321-10	1	Screw-HH	30	321-3	4	Screw-HH
12:5	3296-42	1	Nut-Lock, NI	31	T0002-2373-01	2	Plate-Wear, Spinner
				32	119-6906	7	Screw-HSBH



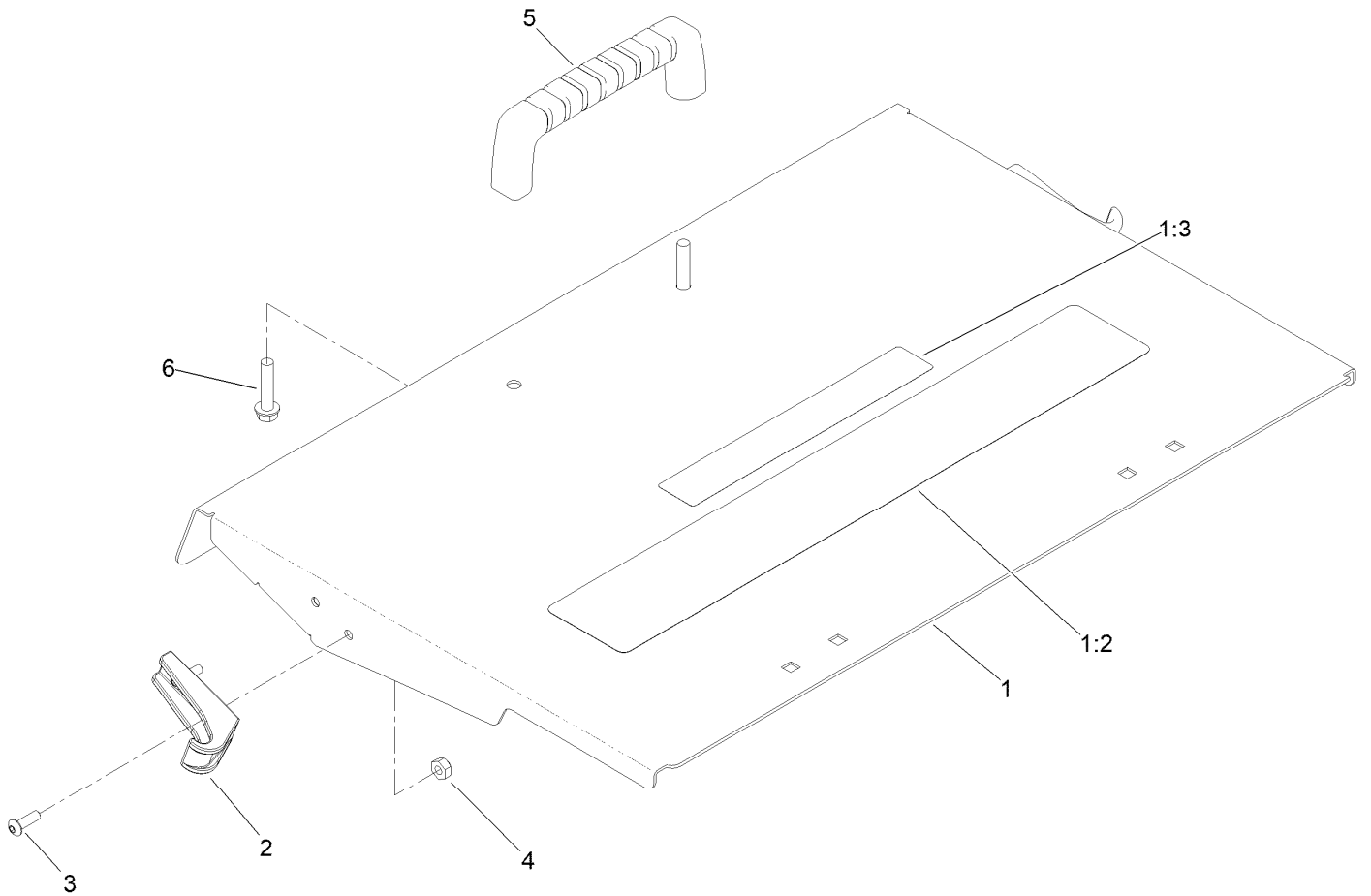
Twin Spinner Interlock Assembly (continued)

<i>Ref.</i>	<i>Part Number</i>	<i>Qty.</i>	<i>Description</i>	<i>Ref.</i>	<i>Part Number</i>	<i>Qty.</i>	<i>Description</i>
33	104-7201	12	Nut-HF, NI	44	115-1151	1	Washer-Flat
34	144-3532	2	Shim-Gate	45	110-3408	1	Stick-Cleanout
35	107-1549	4	Hinge-Half	46	144-3539	1	Bracket-Cleanout Stick
36	80-2570	2	Pin-Clevis	47	138-7590	1	Screw-HHF
37	9335044	2	Pin-Hair	48	104-8300	1	Nut-HF, NI
38	144-3533	1	Guard-Access, ASM	49	140-6536	1	Bracket-Mount, Sensor
39	100-1445	8	Bolt-CARR	50	115-5300	1	Proximity Switch ASM
40	115-2416	2	Latch-Rubber	50:1	117-3207	2	Nut-Hex
41	321-39	2	Screw-HH	50:2	117-3208	2	Washer-Lock, Internal Tooth
42	3296-2	2	Nut-Lock, NI	51	3234-33	2	Screw-HHF
43	144-3540	1	Spacer				



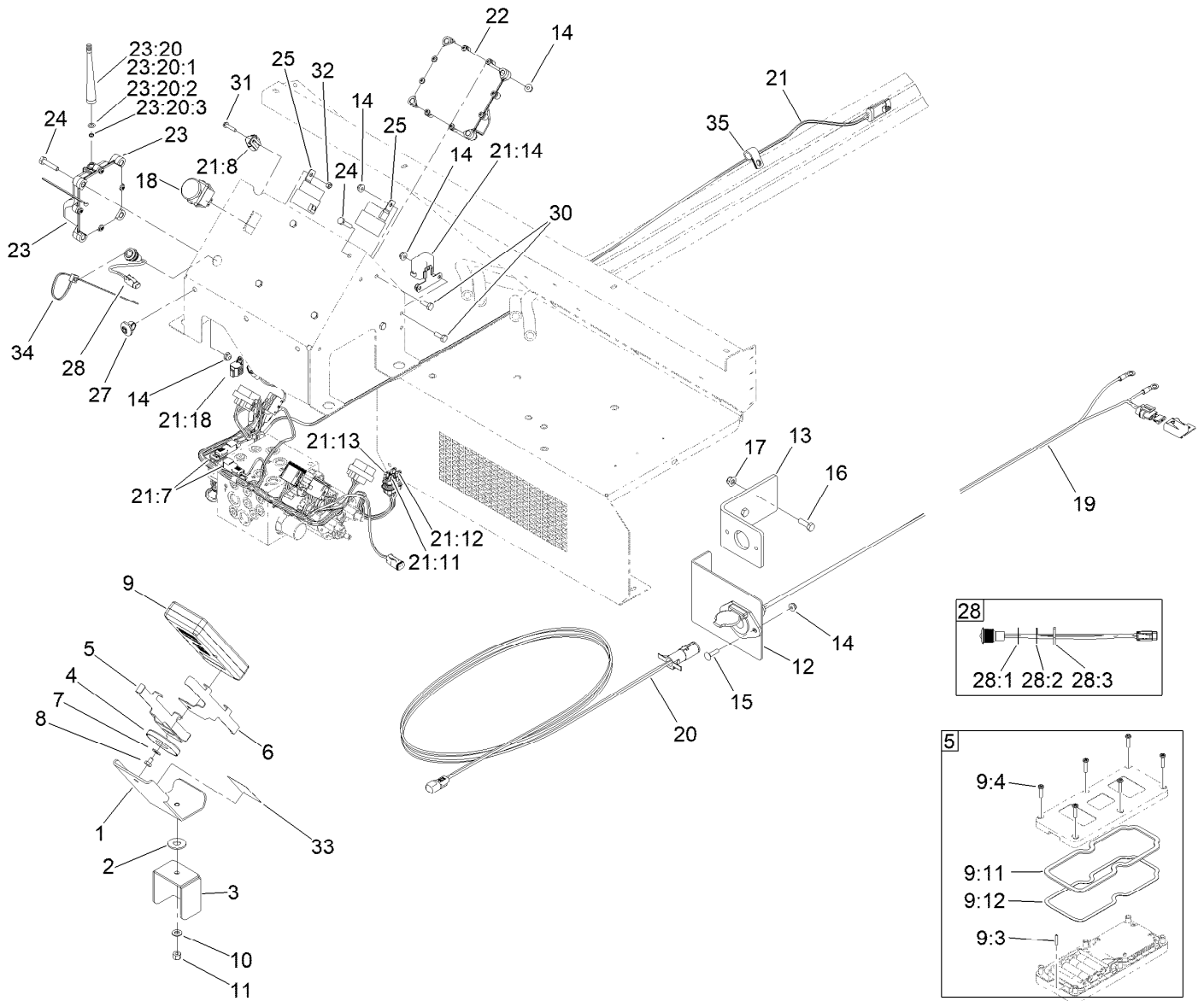
Hydraulic Motor Assembly No. T0001-9863

<i>Ref.</i>	<i>Part Number</i>	<i>Qty.</i>	<i>Description</i>
1	T56013016	1	Seal Kit



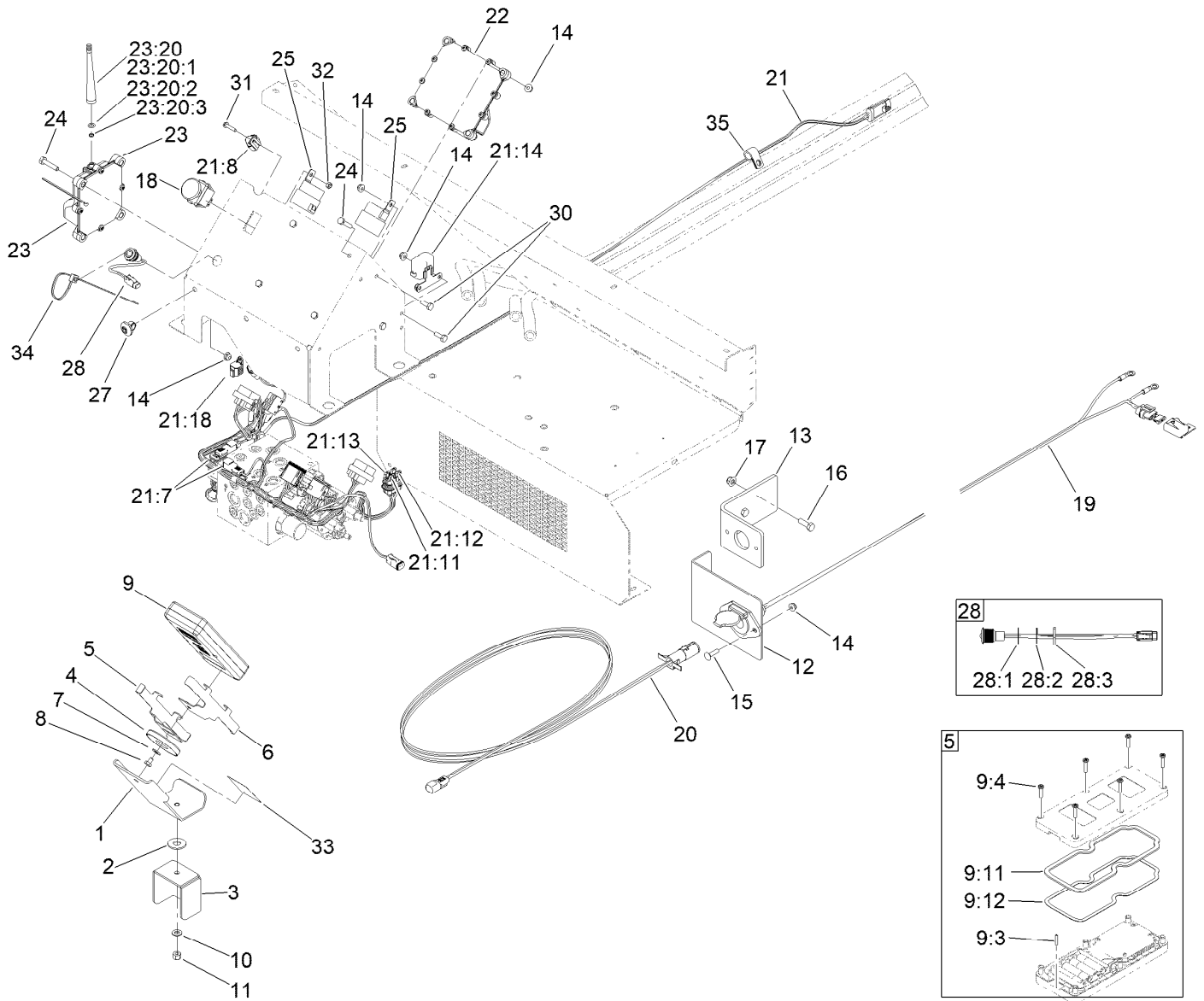
Access Guard Assembly No. 144-3533

<i>Ref.</i>	<i>Part Number</i>	<i>Qty.</i>	<i>Description</i>
1	144-3655	1	Guard-Access
1:2	119-6814	1	Decal-Operating System
1:3	144-3536	1	Decal-Cover, Twin Spinner
2	103-2897	2	Latch-Catch
3	3274-39	4	Screw-HSBH
4	3296-2	4	Nut-Lock, NI
5	65-5100	1	Handle-Door
6	137-3101	2	Screw-Plastic, HWH



Electrical Assembly

Ref.	Part Number	Qty.	Description	Ref.	Part Number	Qty.	Description
1	T0002-8685-01	1	Mount-Controller	18	136-6888	1	Switch, E-Stop
2	T0000-2623	1	Washer-Poly	19	119-6910	1	Harness-Wire, Universal Power Lead
3	T0002-8666-01	1	Base-Swivel	20	119-6911	1	Harness-Wire, Intermediate Power
4	T0002-8729	1	Magnet-Ceramic, Encased	21	122-2463	1	Harness-Wire, Pp200 Wireless
5	125-5962-03	1	Sleeve-Half	21:7	32180-282	2	Resistor-120 Ohm
6	125-5960-03	1	Sleeve-Half	21:8	32180-089	1	Cap-Plug, 3 Way
7	3256-22	1	Washer-Flat	21:11	121-8861	1	Fuse-Mini Blade, 2 Amp
8	321-1	1	Screw-HH	21:12	121-8865	2	Fuse-Mini Blade, 7.5 Amp
9	125-1330	1	Remote ASM	21:13	121-8867	1	Fuse-Mini Blade, 15 Amp
9:3	121-2818	1	Pin-Lanyard	21:14	32180-179	1	Cover-Bussman
9:4	119-6414	6	Screw-PPH	21:18	32180-156	1	Cap-Plug, 6 Way
9:11	140-6617	1	Backer-Gasket, HH (Large)	22	125-1360	1	Controller
9:12	125-1226	1	Gasket-HH (Large)	23	132-9600	1	Controller
10	3256-23	1	Washer-Plain	23:20	140-6605	1	Antenna Service Kit
11	3296-29	1	Nut-Lock, NI	23:20:1	125-1567	1	Antenna
12	T36054020	1	Bracket-Socket	23:20:2	127-2323	1	O-Ring
13	T36054030	1	Bracket-Socket, Heavy	23:20:3	127-2506	1	Spacer
14	104-7201	13	Nut-HF, NI	24	321-8	8	Screw-HH
15	3229-2	2	Screw-CARR				
16	322-5	2	Screw-HH				
17	104-8300	2	Nut-HF, NI				



Electrical Assembly (continued)

Ref.	Part Number	Qty.	Description	Ref.	Part Number	Qty.	Description
25	99-7430	2	Relay-Mini	28:3	122-0632	1	Nut-Fixing
27	32180-149	3	Tie-Button Head	30	321-4	3	Screw-HH
28	122-0630	1	Red LED Indicator Lamp ASM	31	106-9169	1	Screw-HWH
28	122-0630RT03	1	Lamp-LED, Apem Q19	32	3296-2	1	Nut-Lock, NI
28:1	122-0634	1	Gasket-LED	33	119-6819	2	Decal-Control, Wireless
28:2	122-0633	1	Washer-Locking	34	3290-378	1	Tie-Cable
				35	92-6064	3	Clamp-R

Attachments and Accessories

For 44751 ProPass 200 Top Dresser with Twin Spinner and Wireless Control

Product Name	Model/Part
Extension-hopper, Front	120-9393-01
Safety Chain Kit	139-3179
Twin Spinner	44702
Conveyor and Swivel Kit	44703
Tow-Type Chassis Hose Assembly Kit	44706
Toro Workman Chassis	44707
Storage Stand	44712
Hydraulic Power Pack	44713
Propass Deere Pro Gator Mount Kit	44714
Hopper Vibrator Kit, ProPass Top Dresser and MH-400 Material Delivery Unit	44723
Propass Tow Chassis And Fender Kit	44724

Notes:

Notes:

Notes:



Count on it.