



**Count on it.**

**Parts Catalog**

**ProPass 200**

**Top Dresser with Twin Spinner**

Model No. 44701—Serial No. 411700000 and Up



# Ordering Replacement Parts

To order replacement parts, please supply the part number, the quantity, and the description of each part desired.

## Understanding Reference Numbers

Each identified part in an illustration has a reference number. The reference number for a part also appears in the parts list, along with other information about the part.

This catalog uses two special reference number formats, one to indicate parts in a service assembly and another to indicate the quantity of a given part in an illustration.

## Service Assembly Reference Numbers

Parts in service assemblies have reference numbers in the form a:b. The a represents the reference number of the entire service assembly and the b represents a sequential number unique to each part within the service assembly.

For example, a wheel assembly might be identified by reference number 6, the tire by 6:1, the valve by 6:2, and the wheel by 6:3. When you order the assembly identified by reference number 6, you receive all parts identified by reference numbers 6:1, 6:2, and 6:3. However, you may also order any part individually. Reference numbers of this type appear in illustration and in parts lists.

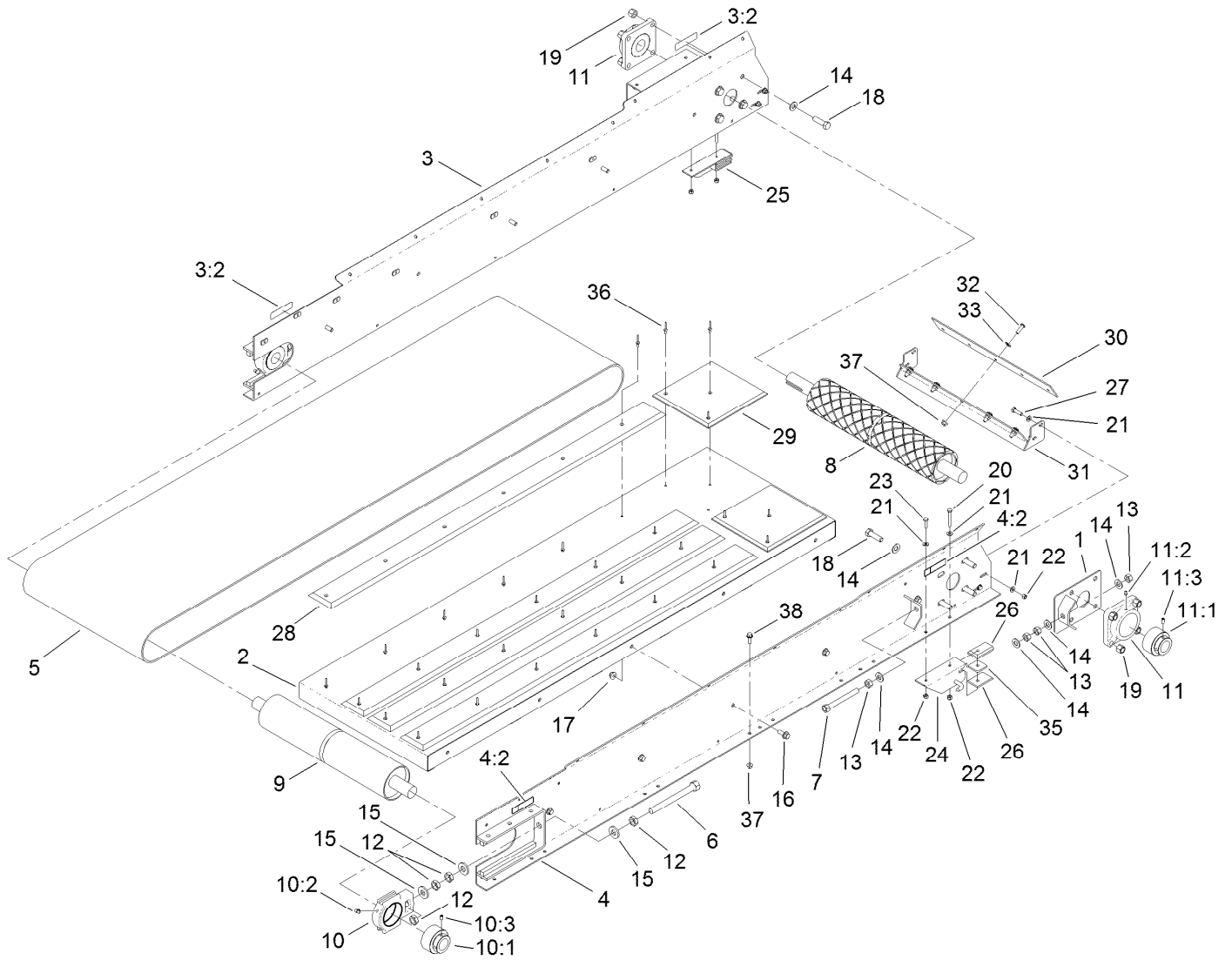
## Reference Numbers Indicating Quantity

In an illustration, if a reference number indicates more than one part, the reference number has the form nX y. The n represents the quantity of the part, the X is the multiplication symbol, and the y represents the reference number.

For example, in an illustration, the reference number 2X 37 means that two of the parts identified by reference number 37 are indicated.

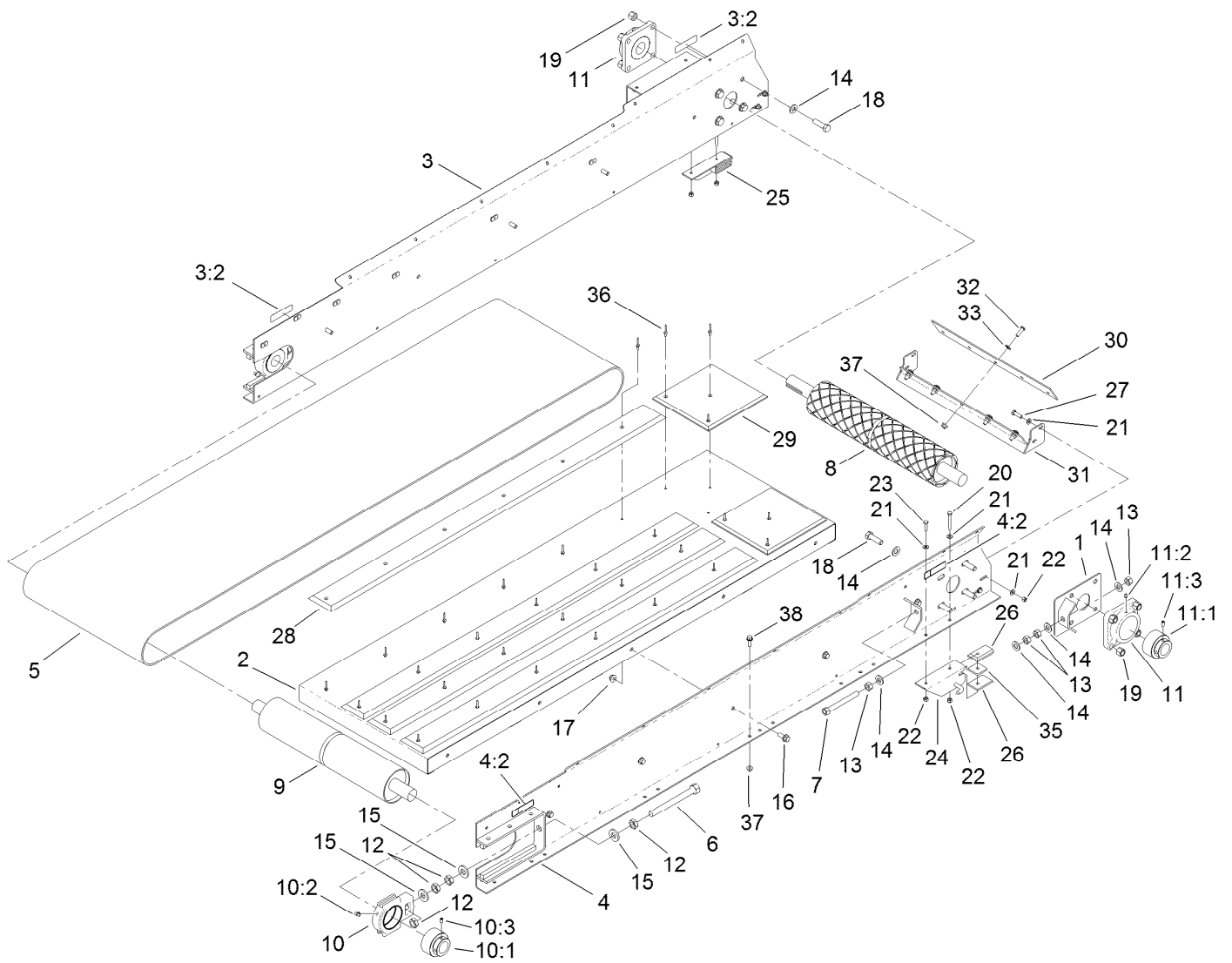
# Contents

Bed Assembly .....	4
Bed Cover Assembly .....	6
Belt Drive Assembly .....	7
Hopper Assembly .....	8
Tailgate Assembly .....	9
Hydraulic System Assembly .....	10
Electrical Assembly .....	12
Twin Spinner Assembly .....	13
Hydraulic Motor Assembly No. T0001-9863 .....	15
Twin Spinner Hydraulic Assembly .....	16
Twin Spinner Interlock Assembly .....	17
Access Guard Assembly No. 144-3533 .....	19
Electrical Assembly .....	20
Attachments and Accessories .....	21



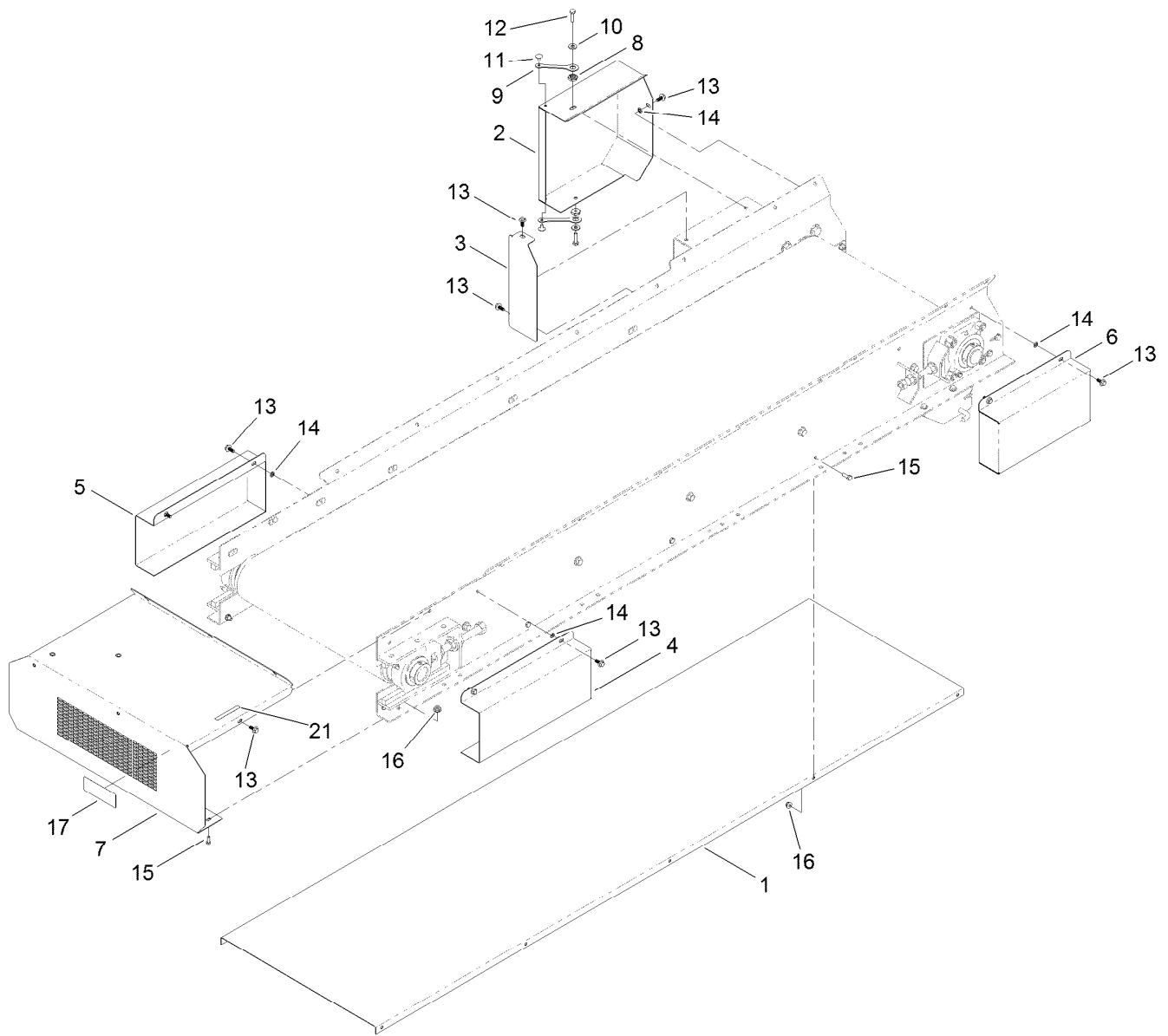
## Bed Assembly

Ref.	Part Number	Qty.	Description	Ref.	Part Number	Qty.	Description
1	T36051675-01	1	Plate-Alignment	14	3256-26	12	Washer-Flat
2	T36051600-01	1	Bed-Conveyor	15	99-7667	6	Washer-Flat
3	119-6797	1	Right Conveyor Side ASM	16	3234-42	10	Screw-HHF
3:2	119-0217	2	Decal-Danger	17	104-8301	10	Nut-HF, NI
4	119-6796	1	Left Conveyor ASM	18	325-7	8	Screw-HH
4:2	119-0217	2	Decal-Danger	19	3296-23	8	Nut-Lock, NI
5	T60191015	1	Belt-Conveyor	20	321-11	2	Screw-HH
6	T36051670-01	2	Rod-Tensioner	21	3256-22	12	Washer-Flat
7	T36051660-01	1	Rod-Alignment	22	3296-42	8	Nut-Lock, NI
8	T36051610	1	Roller-Drive	23	321-6	2	Screw-HH
9	T36051620	1	Roller-Idler	24	T36051560-01	1	Attachment-Left
10	T60114107	2	Take-Up Bearing ASM	25	T36051570-01	1	Attachment-Right
10:1	119-6902	1	Bearing-Collar Lock	26	T36051580	4	Bar-Bearing
10:2	302-40	1	Fitting-Grease, 90 DEG	27	321-4	4	Screw-HH
10:3	3246-17	1	Setscrew-HSH	28	T36051690	4	Slider-Belt
11	T60116255	2	4-Bolt Bearing ASM	29	T36051680	2	Slider-Belt, Rear
11:1	119-6902	1	Bearing-Collar Lock	30	T36051135	1	Plate-Scraper
11:2	302-19	1	Fitting-Grease	31	T36051132-01	1	Scraper
11:3	3246-17	1	Setscrew-HSH	32	119-6903	5	Screw-HSBH
12	3220-6	8	Nut-Jam	33	107-0279	5	Washer
13	3217-9	4	Nut-HH	35	T0000-2189	2	Spacer-Attachment



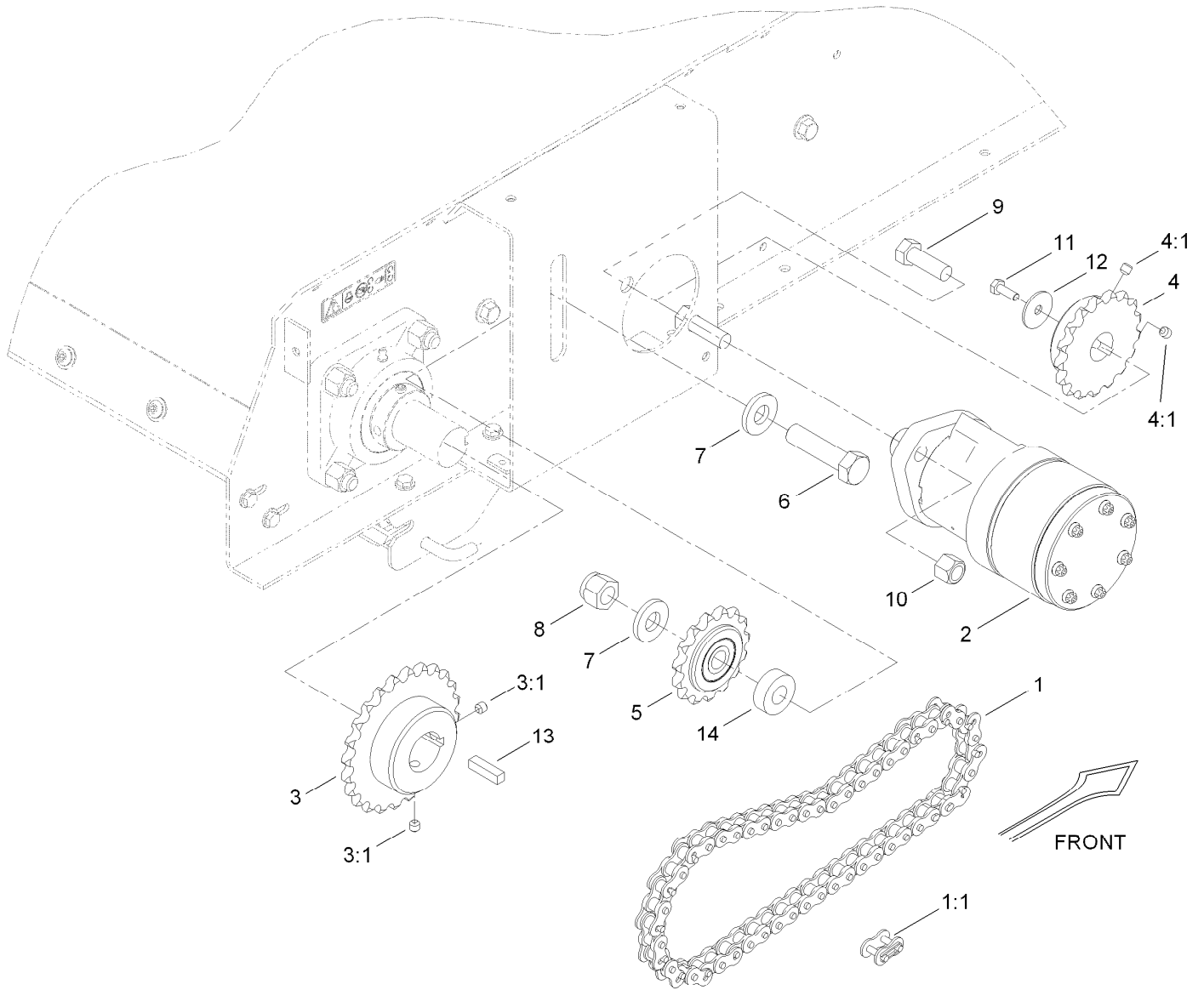
## Bed Assembly (continued)

<i>Ref.</i>	<i>Part Number</i>	<i>Qty.</i>	<i>Description</i>	<i>Ref.</i>	<i>Part Number</i>	<i>Qty.</i>	<i>Description</i>
36	3269-4	30	Rivet-Pop	37	104-8300	15	Nut-HF, NI
				38	3234-29	10	Screw-HHF



## Bed Cover Assembly

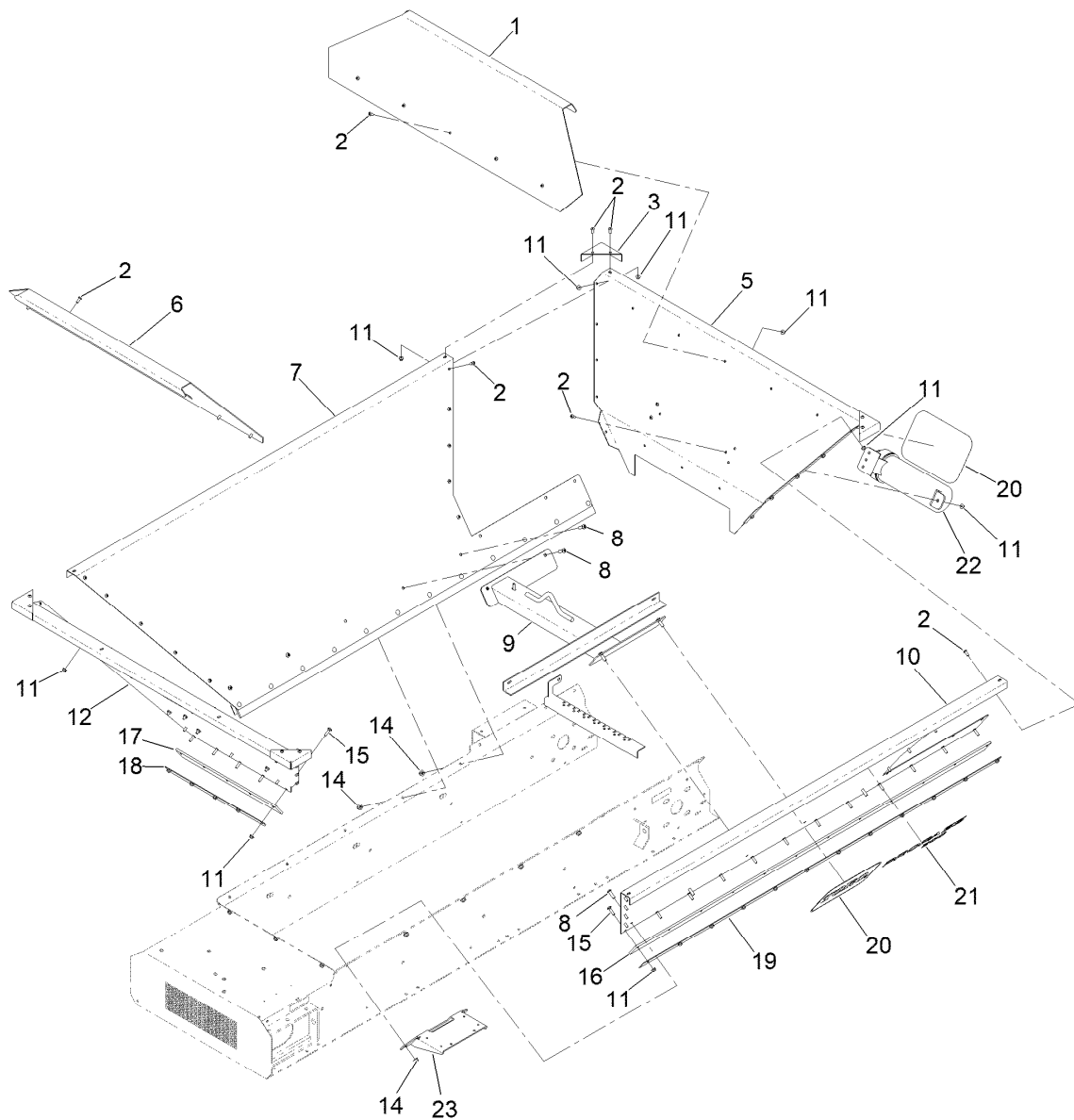
Ref.	Part Number	Qty.	Description	Ref.	Part Number	Qty.	Description
1	T36051704	1	Guard-Bottom	10	3256-2	2	Washer-Flat
2	T36051640-03	1	Guard-Drive, RH	11	146489	2	Rivet
3	T36051645-01	1	Cap-Guard	12	321-6	2	Screw-HH
4	T36051630-03	1	Guard-Idler, LH	13	99-6810	11	Screw-HHF
5	T36051635-03	1	Guard-Idler, RH	14	32115-15	7	Nut-Push
6	T36051650-03	1	Guard-Drive, LH	15	321-4	12	Screw-HH
7	T0000-7789-01	1	Guard-Rinse, Front	16	104-7201	12	Nut-HF, NI
8	119-0851	2	Nut-Shoulder	17	119-6809	1	Decal-Clean Out
9	117-8339	2	Lanyard-3 Inch	21	133-8061	1	Decal-Warning



## Belt Drive Assembly

Ref.	Part Number	Qty.	Description
1	T36051800	1	Chain-Drive, #50
1:1	T60151066	1	Link-Connector, #50
2	T56011000	1	HYD Motor ASM
3	T60133052	1	Sprocket
3:1	3246-2	2	Screw-Set, HSH
4	T60133080	1	Sprocket
4:1	3246-2	2	Screw-Set, HSH
5	T60134080	1	Sprocket-Idler
6	327-8	1	Screw-HH

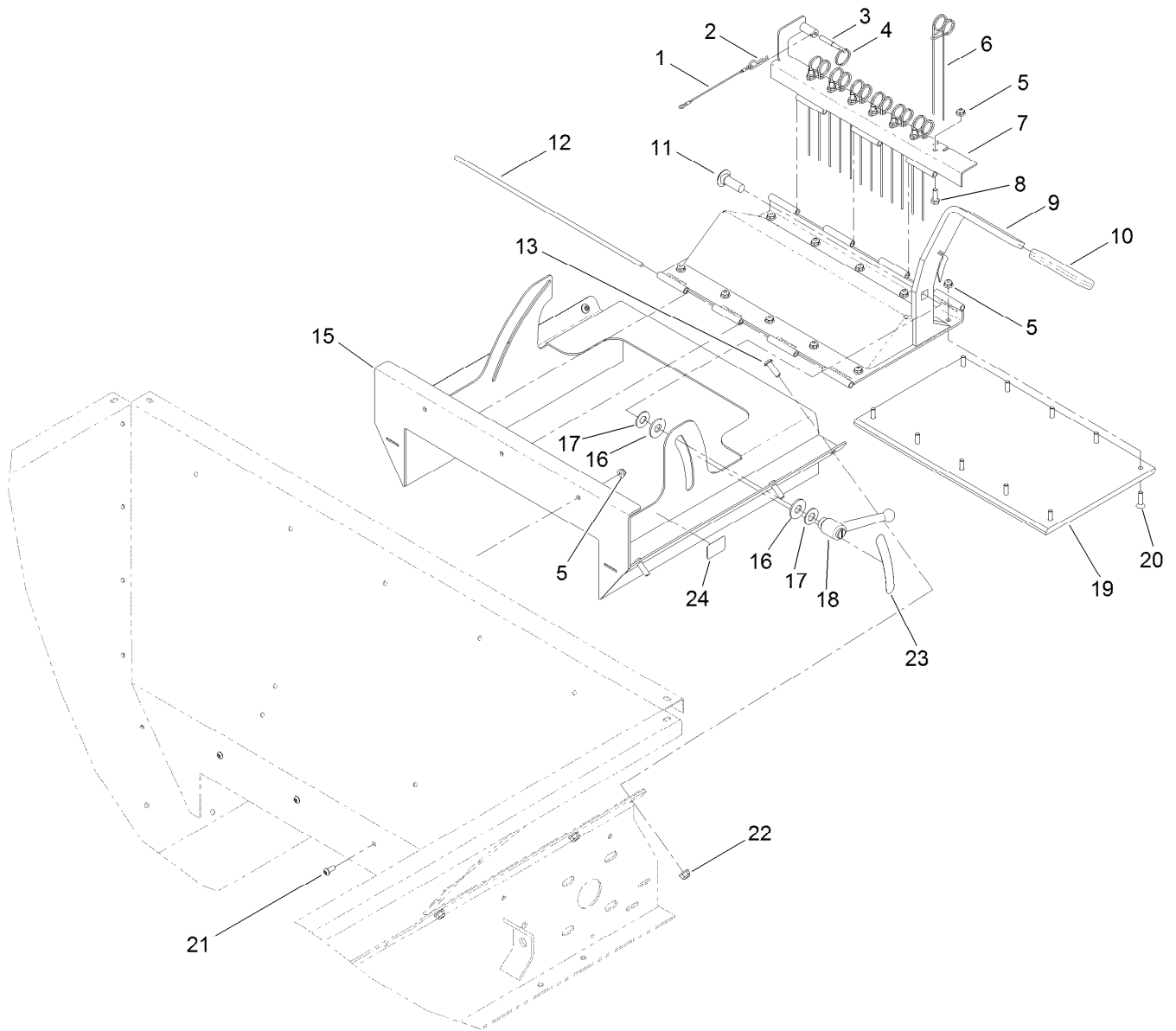
Ref.	Part Number	Qty.	Description
7	99-7667	2	Washer-Flat
8	3296-53	1	Nut-Lock, NI
9	325-6	2	Screw-HH
10	3296-23	2	Nut-Lock, NI
11	321-4	1	Screw-HH
12	3256-57	1	Washer-Flat
13	T36051810	1	Key-Drive
14	119-6905	1	Spacer



## Hopper Assembly

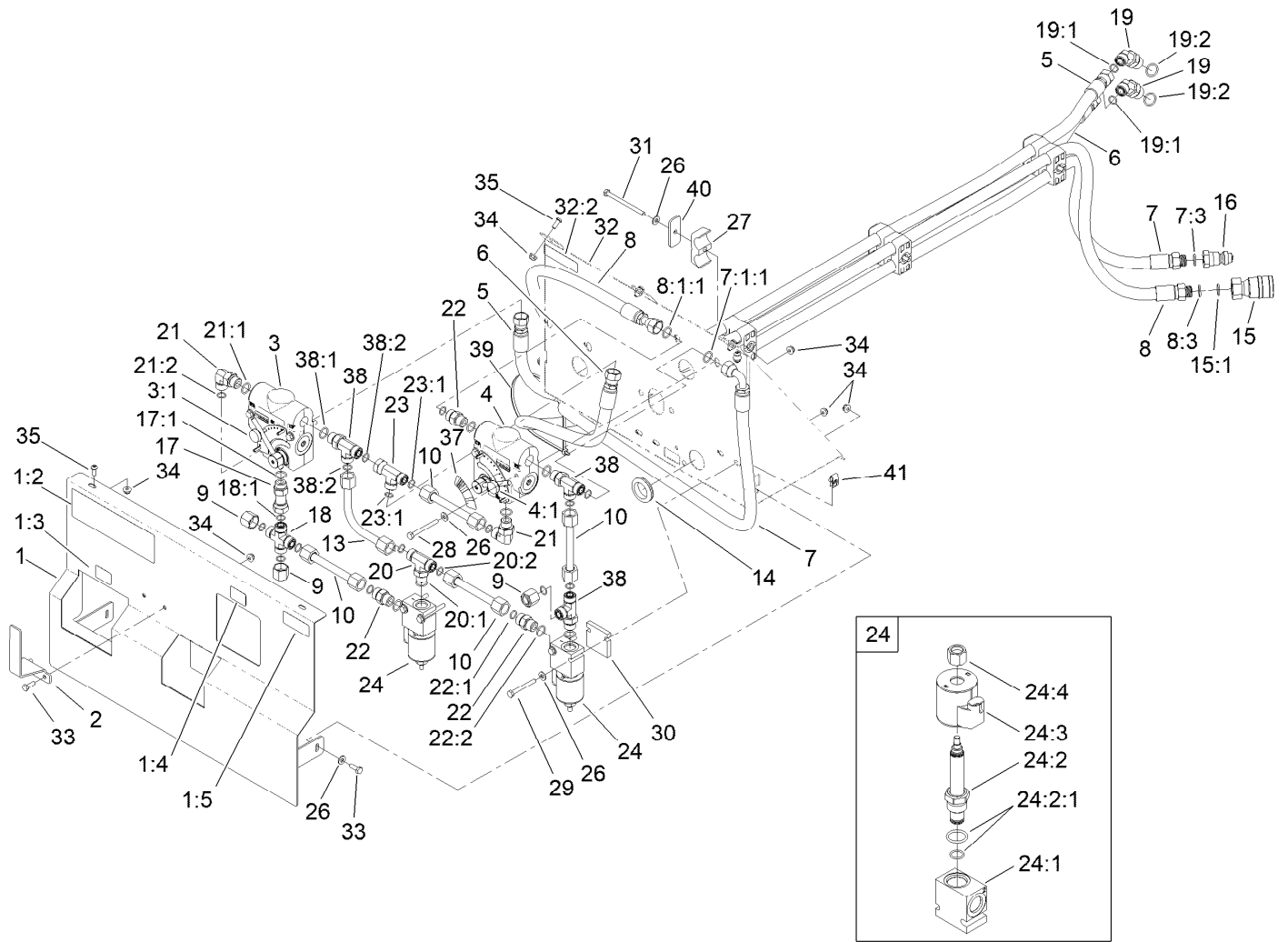
<i>Ref.</i>	<i>Part Number</i>	<i>Qty.</i>	<i>Description</i>	<i>Ref.</i>	<i>Part Number</i>	<i>Qty.</i>	<i>Description</i>
1	T0001-2184-01	1	Extension-Hopper, Rear	14	104-8300	10	Nut-HF, NI
2	119-6906	49	Screw-HSBH	15	3229-2	29	Screw-CARR
3	T36051116-01	4	Cap-Corner	16	T01-34550B	2	Skirt-Conveyor, Rubber
5	T0000-7799-01	1	Wall-Hopper, Rear	17	T01-34551B	1	Rubber-Seal, Front
6	T0001-1626-01	1	Extension-Hopper, Front	18	T36051140-01	1	Retainer-Skirt, Front
7	T36051112-01	1	Wall-Hopper, Right	19	T36051540-01	2	Retainer-Skirt, Conveyor
8	119-6903	10	Screw-HSBH	20	66-6140	3	Decal
9	T01-44788D-03	1	Lift	21	119-6800	2	Decal-Propass 200
10	T36051108-01	1	Wall-Hopper, Left	22	T0004-1839	1	Canister-Manual
11	104-7201	78	Nut-HF, NI	23	140-6761-01	1	Plate-Mount [red]
12	T36051102-01	1	Wall-Hopper, Front				





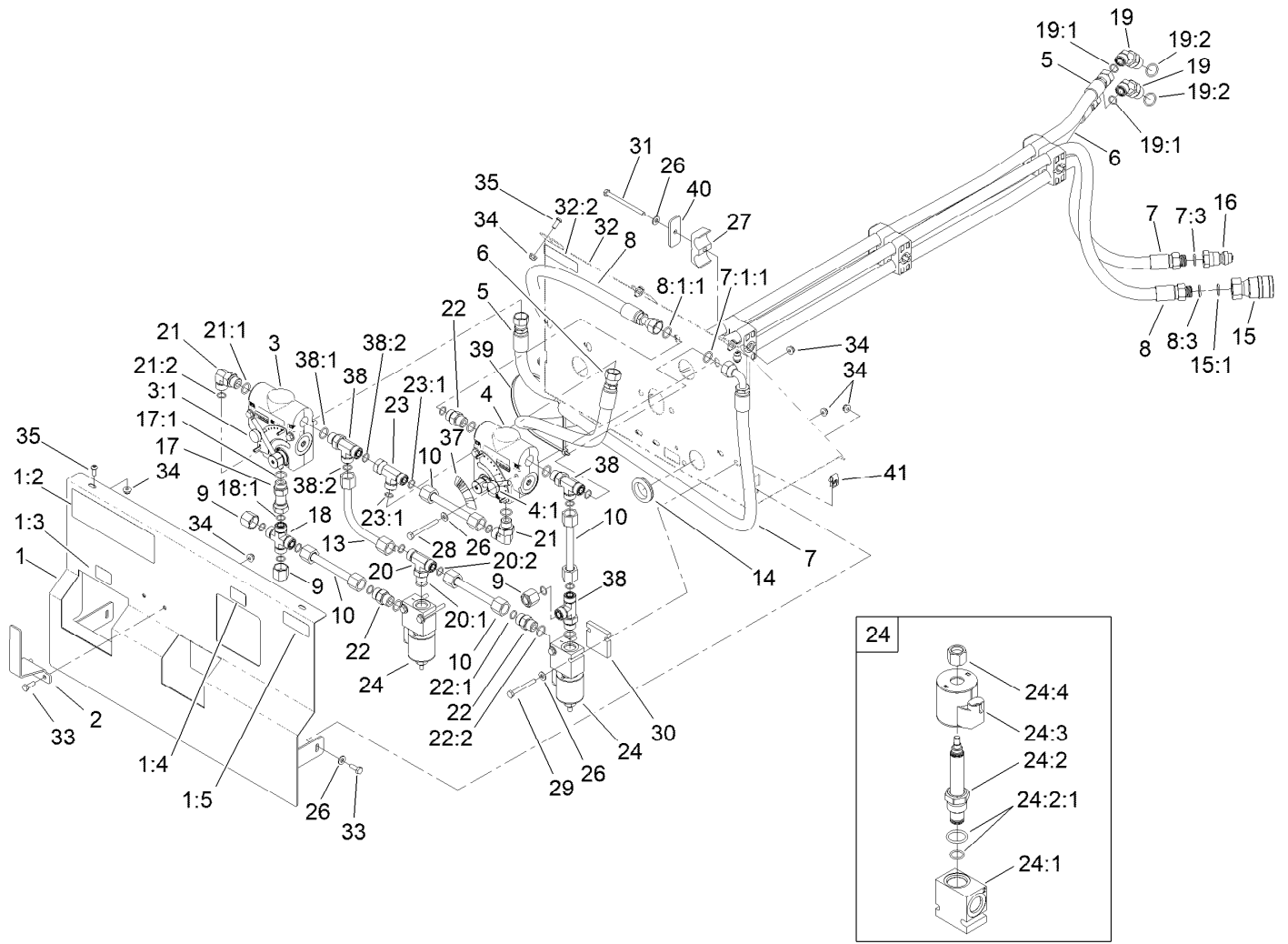
## Tailgate Assembly

<i>Ref.</i>	<i>Part Number</i>	<i>Qty.</i>	<i>Description</i>	<i>Ref.</i>	<i>Part Number</i>	<i>Qty.</i>	<i>Description</i>
1	28-8070	1	Lanyard	13	119-6903	6	Screw-HSBH
2	3290-467	1	Pin-Hair	15	T0000-2561-01	1	Frame-Gate
3	T0001-6926	1	Pin-Tailgate	16	T0000-2623	2	Washer-Poly
4	106-1392	1	Ring-Retaining, Spiral (EXT)	17	110-6894	2	Washer-Pivot
5	104-7201	20	Nut-HF, NI	18	T0002-0682	1	Handle-Adjustable
6	T0000-2597	7	Tine-Gate	19	T36051127	1	Pad-Wear, Gate
7	T0000-2588-01	1	Mount-Tine, Gate	20	3290-141	10	Screw-HSFH
8	321-4	7	Screw-HH	21	119-6906	3	Screw-HSBH
9	T0000-2564-01	1	Gate	22	104-8300	6	Nut-HF, NI
10	T62021000	1	Grip-Handle	23	119-6808	1	Decal-Volume
11	3233-2	1	Screw-CARR	24	119-6818	1	Decal-Tail Gate
12	T0000-2585	2	Rod-Hinge				



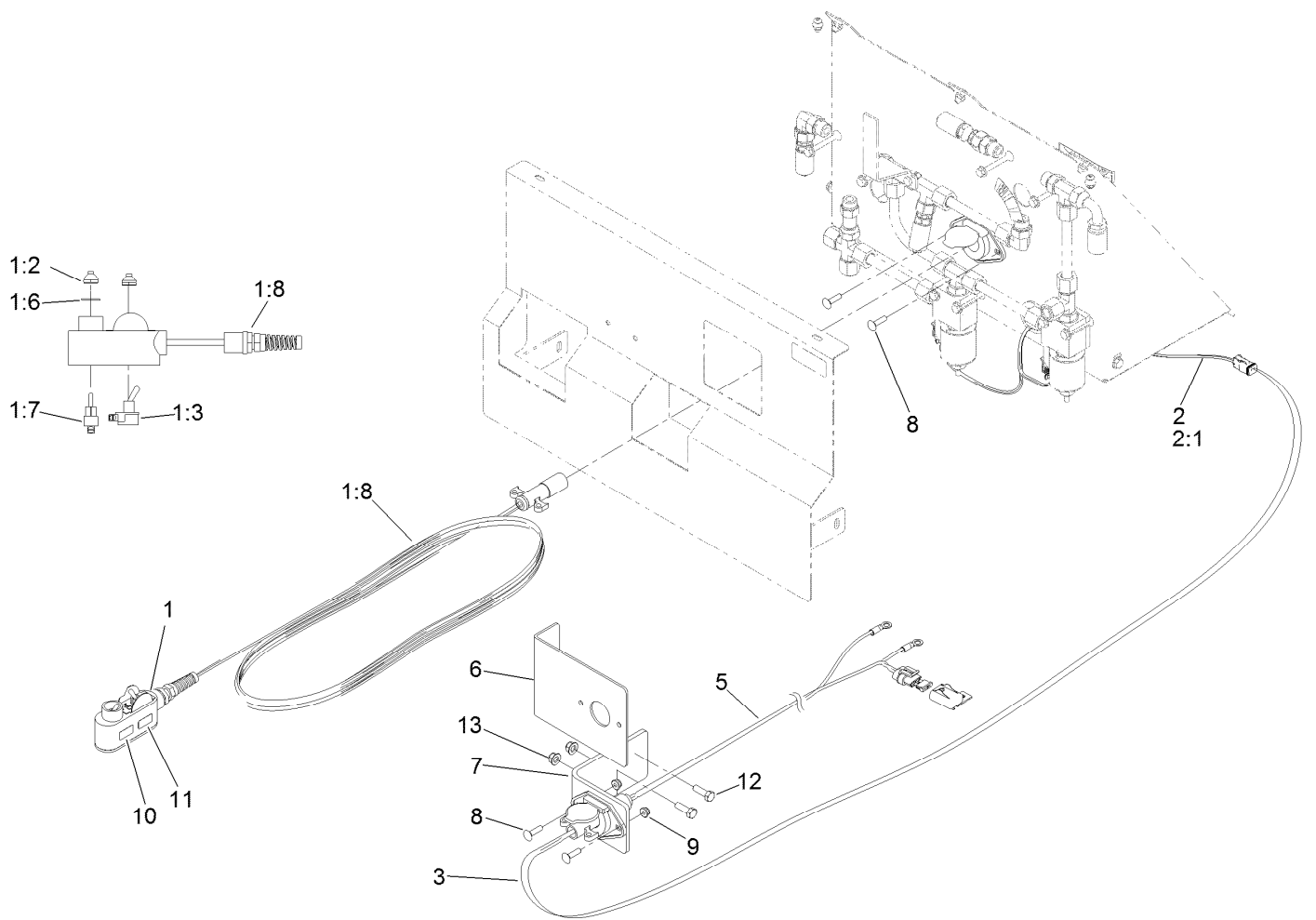
## Hydraulic System Assembly

Ref.	Part Number	Qty.	Description	Ref.	Part Number	Qty.	Description
1	119-6792	1	Hydraulic Guard ASM	14	240-3	1	Grommet-Rubber
1:2	119-6806	1	Decal-Danger	15	98-4699	1	Female-Disconnect, Quick
1:3	119-6854	1	Decal-Speed, Conveyor	15:1	100-4165	1	Seal Kit
1:4	119-6853	1	Decal-Speed, Attachment	16	98-4698	1	Male-Disconnect, Quick
1:5	115-2047	1	Decal-Surface, Hot	17	100-7671	1	Adapter-HYD
2	T36053030-01	1	Hanger-Hose	17:1	237-79	1	O-Ring
3	119-6942	1	HYD Valve Control ASM	18	100-7670	1	Adapter-HYD
3:1	119-6944	1	Handle	18:1	237-30	4	O-Ring
4	119-6941	1	HYD Valve Control ASM	19	340-89	2	Fitting-HYD, 45 DEG
4:1	119-6944	1	Handle	19:1	237-30	1	O-Ring
5	119-6923	1	HYD Hose ASM	19:2	237-80	1	O-Ring
6	119-6924	1	HYD Hose ASM	20	340-157	1	Fitting-HYD, Tee
7	119-6935	1	HYD Hose ASM	20:1	237-79	1	O-Ring
7:1:1	237-79	1	O-Ring	20:2	237-30	2	O-Ring
7:3	237-79	1	O-Ring	21	340-98	2	Fitting-Elbow, 90 DEG
8	119-6934	1	HYD Hose ASM	21:1	237-79	1	O-Ring
8:1:1	237-79	1	O-Ring	21:2	237-30	1	O-Ring
8:3	237-79	1	O-Ring	22	340-4	3	Fitting-Straight
9	340-152	3	Cap-HYD	22:1	237-30	1	O-Ring
10	119-6936	4	HYD Tube ASM	22:2	237-79	1	O-Ring
13	119-6939	1	HYD Tube ASM	23	340-104	1	Fitting-Tee



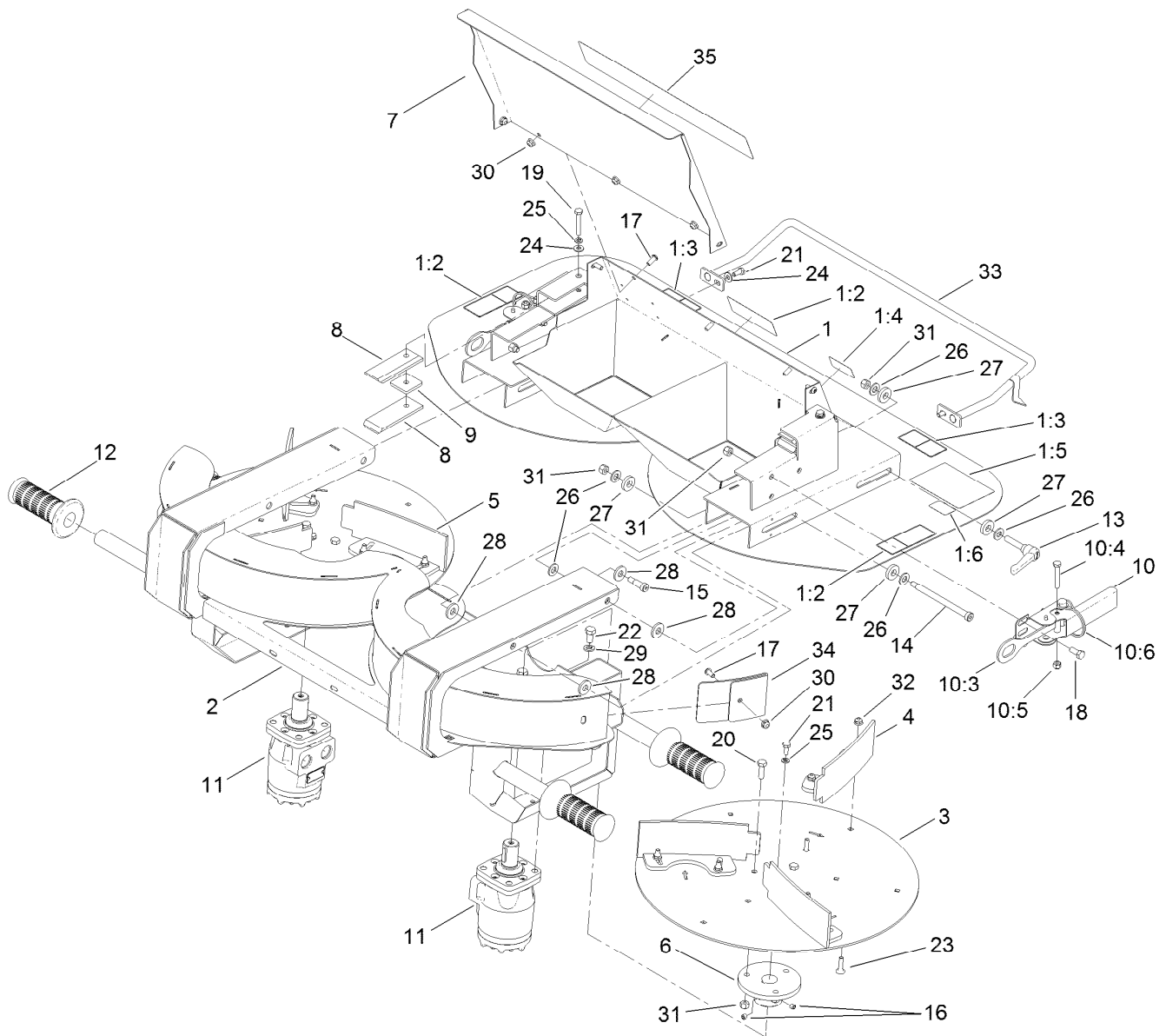
## Hydraulic System Assembly (continued)

Ref.	Part Number	Qty.	Description	Ref.	Part Number	Qty.	Description
23:1	237-30	2	O-Ring	32	119-6794	1	Mount-Panel, HYD Valve
24	140-2229	2	Solenoid Valve ASM	32:2	119-0217	1	Decal-Danger
24:1	T56054034	1	Body-Valve, Hydraulic	33	321-4	4	Screw-HH
24:2	105-9158	1	Valve-Solenoid, N.O.	34	104-7201	17	Nut-HF, NI
24:2:1	105-9159	1	Seal Kit	35	119-6906	7	Screw-HSBH
24:3	110-6344	1	Coil-12V, DC	37	119-6820	1	Decal-Spinner, Speed
24:4	130-8181	1	Nut-Coil (1/2-20 Unf-2B)	38	340-109	3	Fitting-Tee
26	3256-22	10	Washer-Flat	38:1	237-79	1	O-Ring
27	56-7974	12	Clamp-Tube	38:2	237-30	2	O-Ring
28	321-15	4	Screw-HH	39	3290-379	1	Tie-Cable
29	321-18	4	Screw-HH	40	T36033040	3	Plate-Clamp
30	T36053010	2	Spacer-Valve	41	107069	2	Clip
31	321-19	3	Screw-HH				



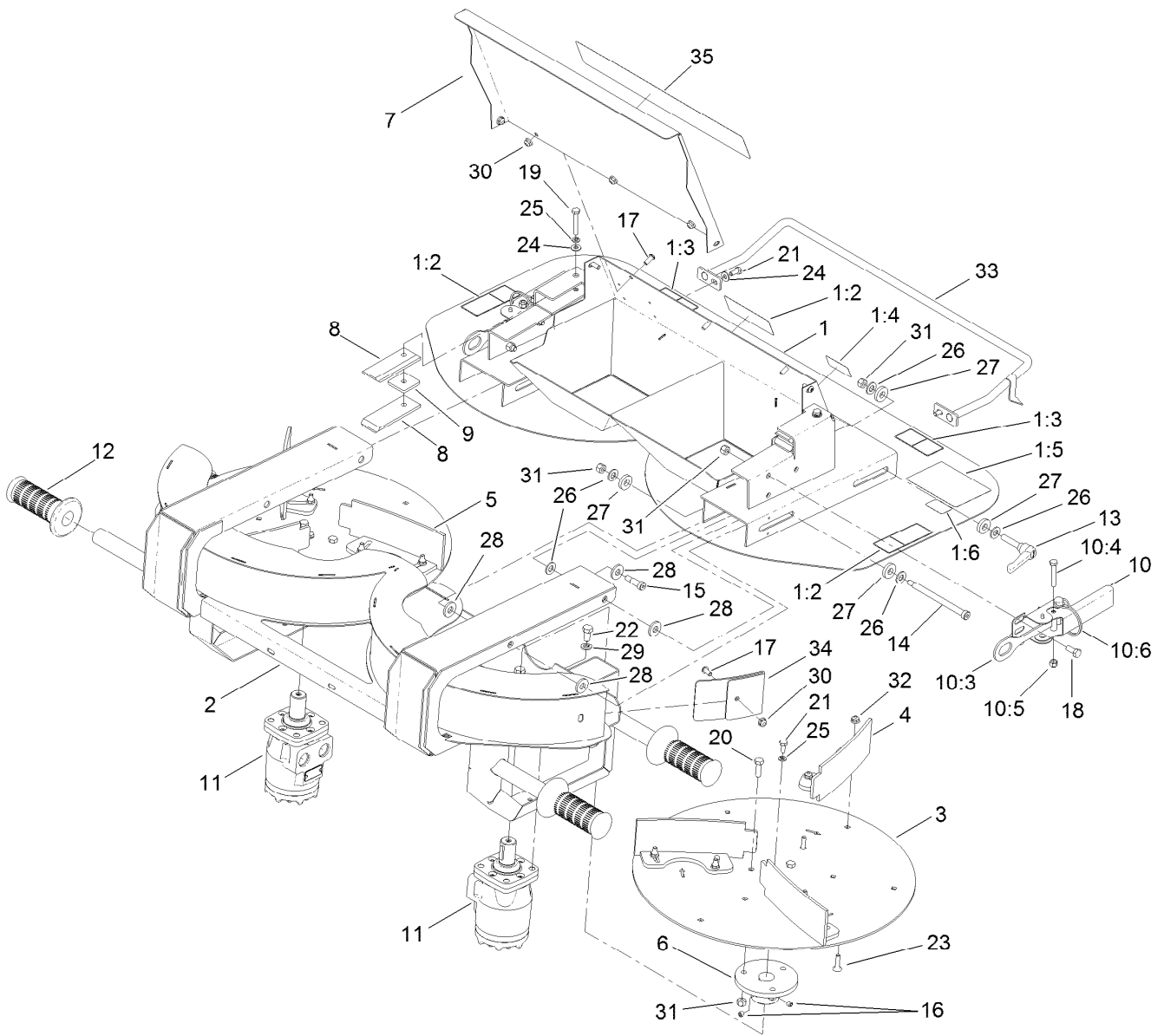
## Electrical Assembly

<i>Ref.</i>	<i>Part Number</i>	<i>Qty.</i>	<i>Description</i>	<i>Ref.</i>	<i>Part Number</i>	<i>Qty.</i>	<i>Description</i>
1	119-6948	1	Pendant ASM	5	119-6910	1	Harness-Wire, Universal Power Lead
1:2	119-7554	2	Boot-Toggle Switch, Weatherproof	6	T36054020	1	Bracket-Socket
1:3	119-7553	1	Switch-Toggle	7	T36054030	1	Bracket-Socket, Heavy
1:6	41-8440	1	Washer	8	3229-2	4	Screw-CARR
1:7	119-7551	1	Switch-Toggle, 2-Way	9	104-7201	4	Nut-HF, NI
1:8	120-0809	1	Harness-Wire, Pendant	10	119-6855	1	Decal-Attachment Speed
2	119-6949	1	Harness-Wire, Main Valve	11	119-6856	1	Decal-Conveyor Speed
2:1	109355	1	Fuse-Blade, 15 Amp	12	322-5	2	Screw-HH
3	119-6911	1	Harness-Wire, Intermediate Power	13	104-8300	2	Nut-HF, NI



## Twin Spinner Assembly

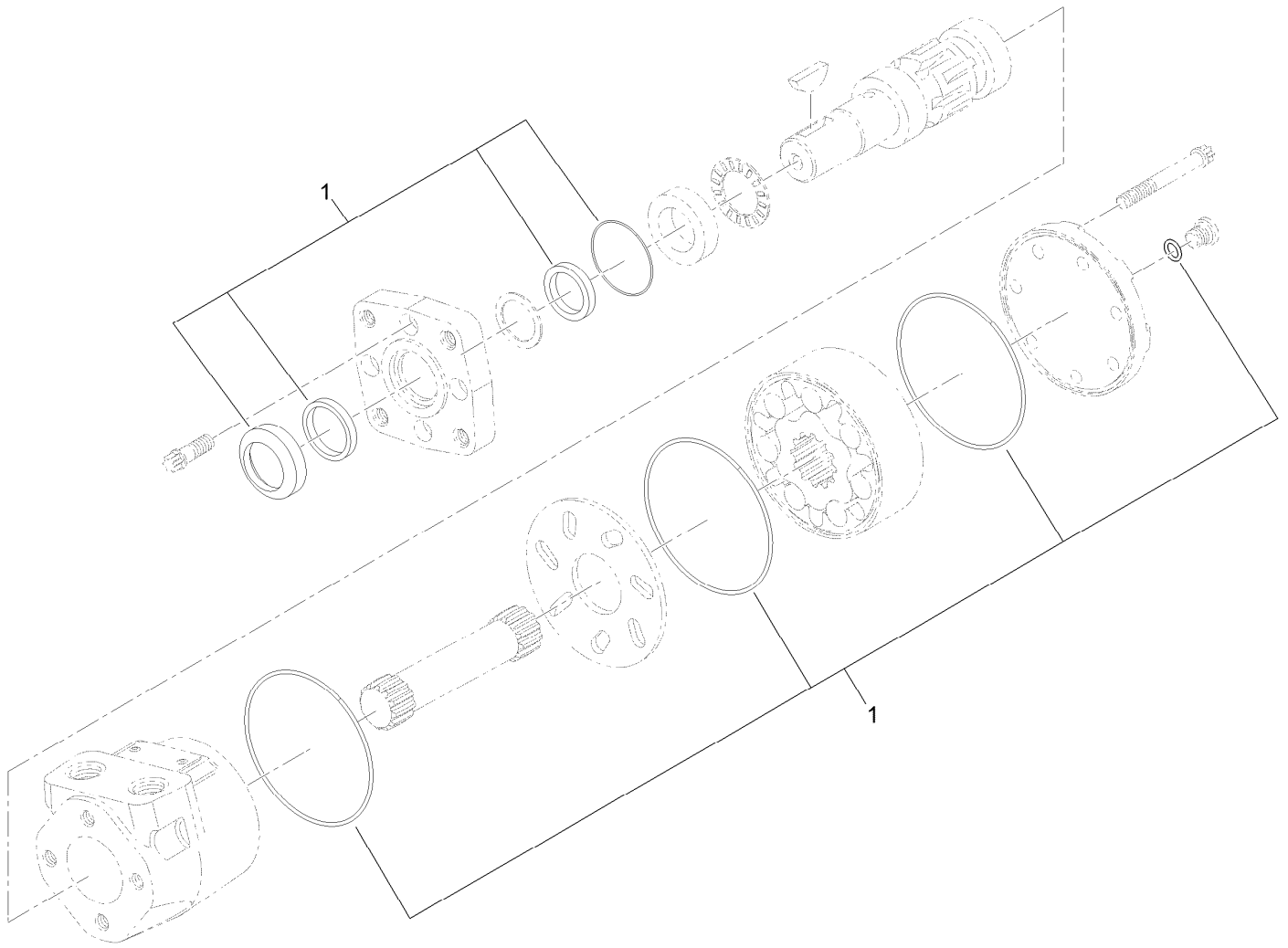
Ref.	Part Number	Qty.	Description	Ref.	Part Number	Qty.	Description
1	119-6793	1	Top Plate ASM	12	T62021010	4	Grip-Vinyl, Black
1:2	119-6804	3	Decal-Warning, Bystanders	13	T0000-2676	2	Handle-Adjustable
1:3	119-6805	2	Decal-Warning, Moving Parts	14	119-6914	2	Screw-Shoulder, HSH
1:4	119-6810	1	Decal-Propass, Lift	15	119-6915	2	Screw-Shoulder, HSH
1:5	119-6817	1	Decal-Fine Tuning	16	3246-2	4	Screw-Set, HSH
1:6	119-6816	1	Decal-Adjustment, Slide	17	119-6906	7	Screw-HSBH
2	T36054605-01	1	Frame-Spinner	18	322-3	6	Screw-HH
3	T36054790-01	2	Disk-Spinner	19	321-10	2	Screw-HH
4	T0001-2003-01	3	Paddle-Curved, Left	20	322-5	6	Screw-HH
5	T0001-2002-01	3	Paddle-Curved, Right	21	321-3	4	Screw-HH
6	T36054780	2	Hub-Disk, Spinner	22	323-4	8	Screw-HH
7	T0000-7676-01	1	Guard-Deflector, Sand	23	119-6920	12	Bolt-Carriage
8	T0000-2191	4	Slide-Attachment	24	3256-22	4	Washer-Flat
9	T0000-2189	2	Spacer-Attachment	25	3253-3	4	Washer-Lock
10	T36054750	2	Quick Attach Latch ASM	26	3256-24	10	Washer-Flat
10:3	T0002-1281-01	1	Hook ASM	27	T0000-2386	8	Washer-Plain
10:4	321-10	1	Screw-HH	28	T0000-2160	8	Washer-Plain
10:5	3296-42	1	Nut-Lock, NI	29	3253-21	8	Washer-Lock
10:6	100-1663	1	Pin-Hitch	30	104-7201	7	Nut-HF, NI
11	T0001-9863	2	HYD Motor ASM	31	3296-29	16	Nut-Lock, NI
				32	119-6921	12	Nut-Hex, Flange



## Twin Spinner Assembly (continued)

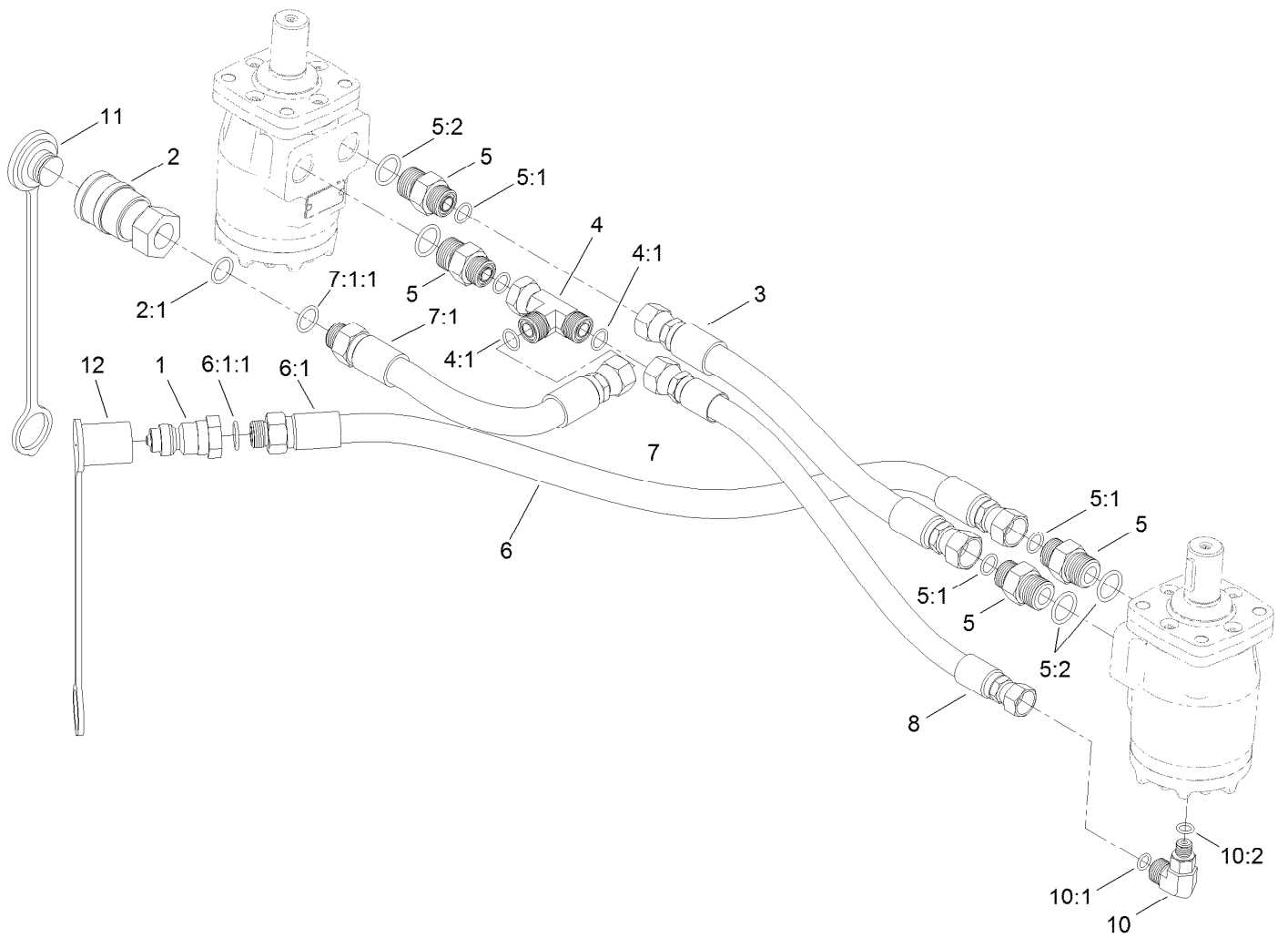
<i>Ref.</i>	<i>Part Number</i>	<i>Qty.</i>	<i>Description</i>
33	T0000-7686-01	1	Handle-Slide

<i>Ref.</i>	<i>Part Number</i>	<i>Qty.</i>	<i>Description</i>
34	T0002-2373-01	2	Plate-Wear, Spinner
35	119-6814	1	Decal-Operating System



## Hydraulic Motor Assembly No. T0001-9863

<i>Ref.</i>	<i>Part Number</i>	<i>Qty.</i>	<i>Description</i>
1	T56013016	1	Seal Kit

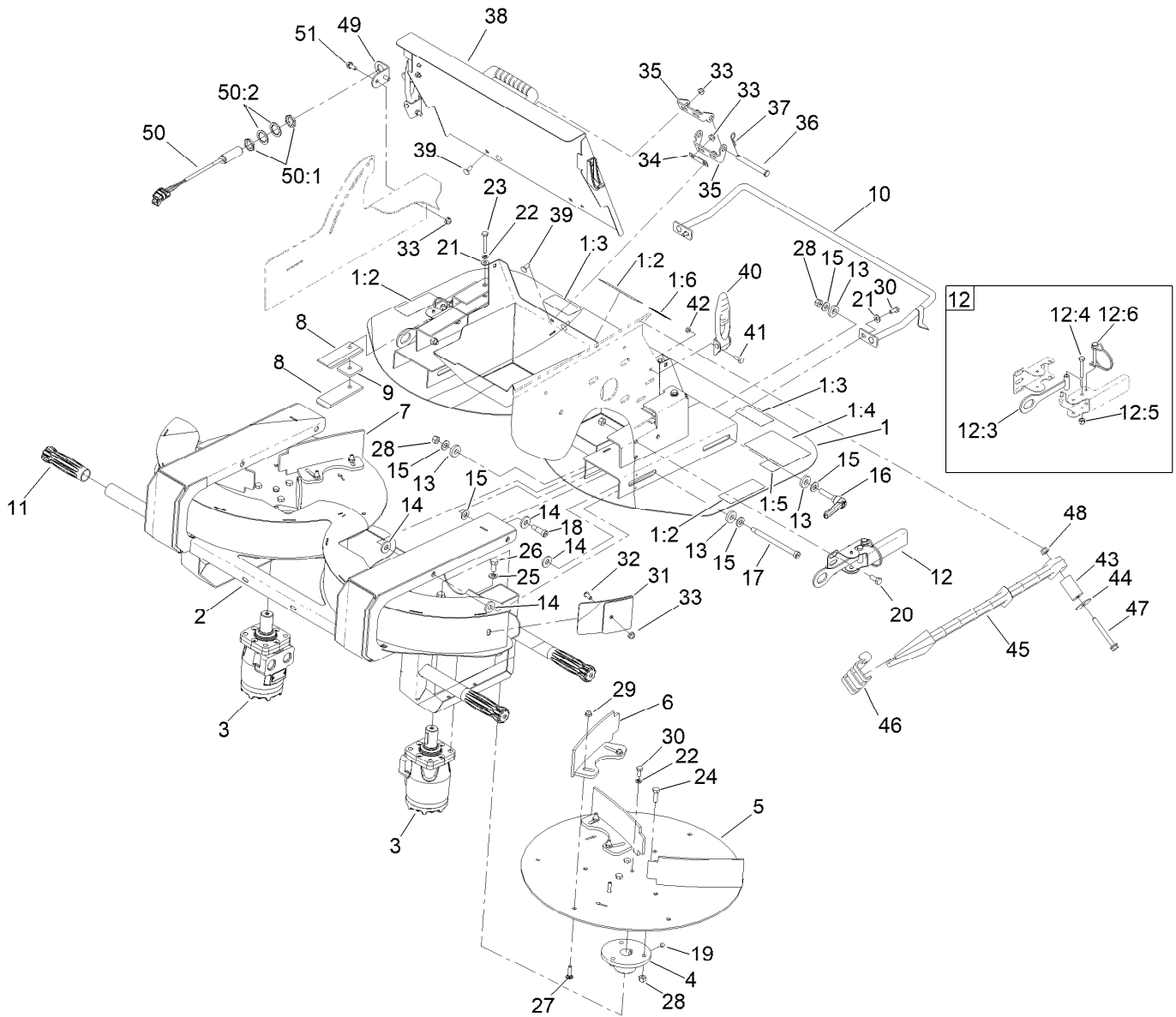


## Twin Spinner Hydraulic Assembly

<i>Ref.</i>	<i>Part Number</i>	<i>Qty.</i>	<i>Description</i>	<i>Ref.</i>	<i>Part Number</i>	<i>Qty.</i>	<i>Description</i>
1	98-4698	1	Male-Disconnect, Quick	6:1:1	237-79	1	O-Ring
2	98-4699	1	Female-Disconnect, Quick	7	120-0812	1	HYD Hose ASM
2:1	100-4165	1	Seal Kit	7:1		1	Fitting-Straight ●
3	117-0180	1	Hose-HYD	7:1:1	237-79	1	O-Ring
4	340-104	1	Fitting-Tee	8	120-0810	1	HYD Hose ASM
4:1	237-30	2	O-Ring	10	340-97	1	Fitting-Elbow, 90 DEG
5	340-6	4	Fitting-Straight	10:1	237-22	1	O-Ring
5:1	237-30	1	O-Ring	10:2	237-78	1	O-Ring
5:2	237-80	1	O-Ring	11	T56152150	1	Plug-Quick Connect
6	120-0842	1	HYD Hose ASM	12	T56152152	1	Cap-Connect, Quick
6:1		1	Fitting-Straight ●				

● Not serviced separately

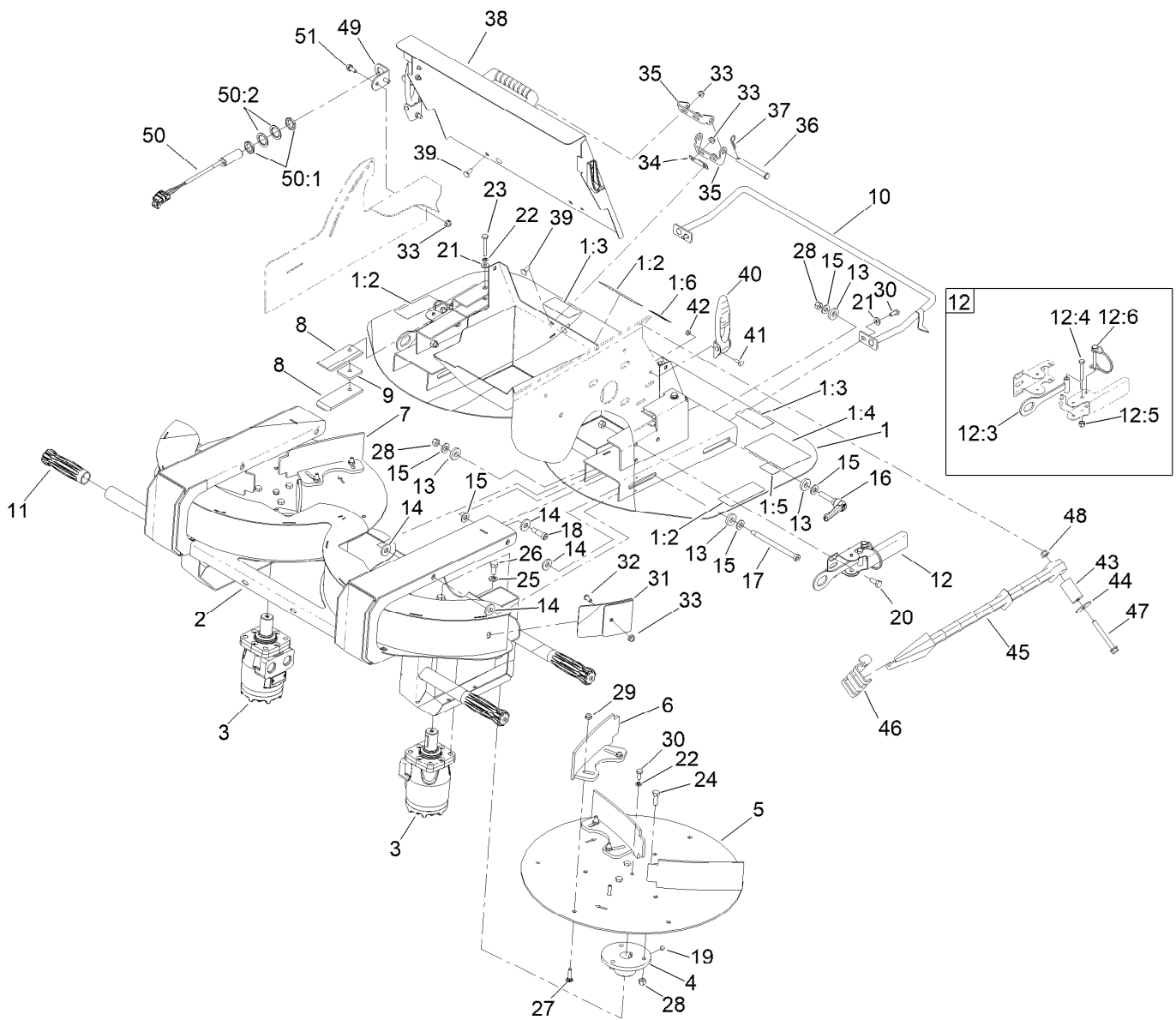




## Twin Spinner Interlock Assembly

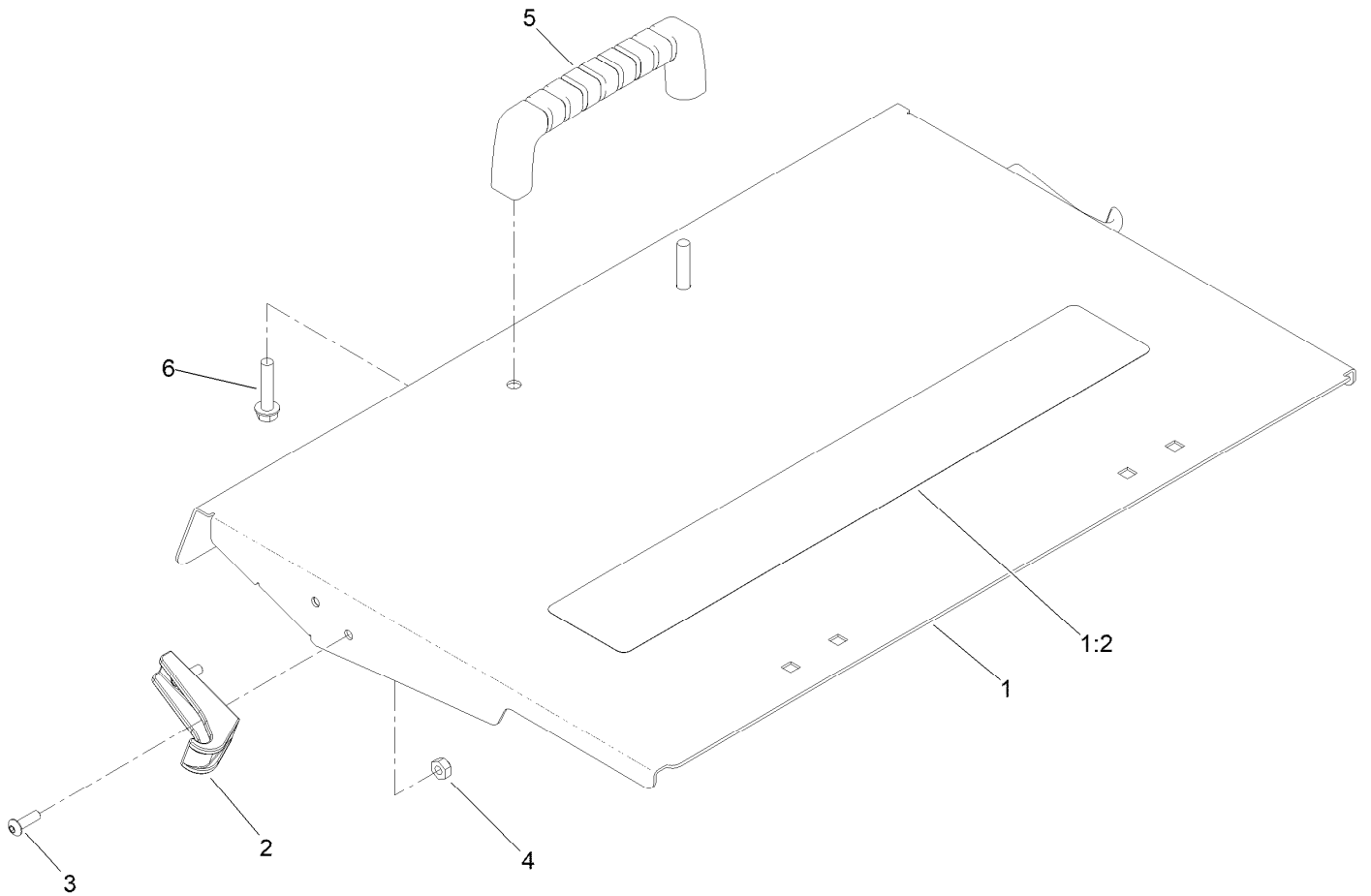
Ref.	Part Number	Qty.	Description
1	140-6633	1	Top Plate ASM
1:2	119-6804	3	Decal-Warning, Bystanders
1:3	119-6805	2	Decal-Warning, Moving Parts
1:4	119-6817	1	Decal-Fine Tuning
1:5	119-6816	1	Decal-Adjustment, Slide
1:6	119-6810	1	Decal-Propass, Lift
2	144-3626-01	1	Housing-Twin Spinner
3	T0001-9863	2	HYD Motor ASM
4	T36054780	2	Hub-Disk, Spinner
5	T36054790-01	2	Disk-Spinner
6	T0001-2003-01	3	Paddle-Curved, Left
7	T0001-2002-01	3	Paddle-Curved, Right
8	T0000-2191	4	Slide-Attachment
9	T0000-2189	2	Spacer-Attachment
10	T0000-7686-01	1	Handle-Slide
11	T62021010	4	Grip-Vinyl, Black
12	T36054750	2	Quick Attach Latch ASM
12:3	T0002-1281-01	1	Hook ASM
12:4	321-10	1	Screw-HH
12:5	3296-42	1	Nut-Lock, NI

Ref.	Part Number	Qty.	Description
12:6	100-1663	1	Pin-Hitch
13	T0000-2386	8	Washer-Plain
14	T0000-2160	8	Washer-Plain
15	3256-24	10	Washer-Flat
16	T0000-2676	2	Handle-Adjustable
17	119-6914	2	Screw-Shoulder, HSH
18	119-6915	2	Screw-Shoulder, HSH
19	3246-2	4	Screw-Set, HSH
20	322-3	6	Screw-HH
21	3256-22	4	Washer-Flat
22	3253-3	4	Washer-Lock
23	321-10	2	Screw-HH
24	322-5	6	Screw-HH
25	3253-21	8	Washer-Lock
26	323-4	8	Screw-HH
27	119-6920	12	Bolt-Carriage
28	3296-29	16	Nut-Lock, NI
29	119-6921	12	Nut-Hex, Flange
30	321-3	4	Screw-HH
31	T0002-2373-01	2	Plate-Wear, Spinner
32	119-6906	7	Screw-HSBH



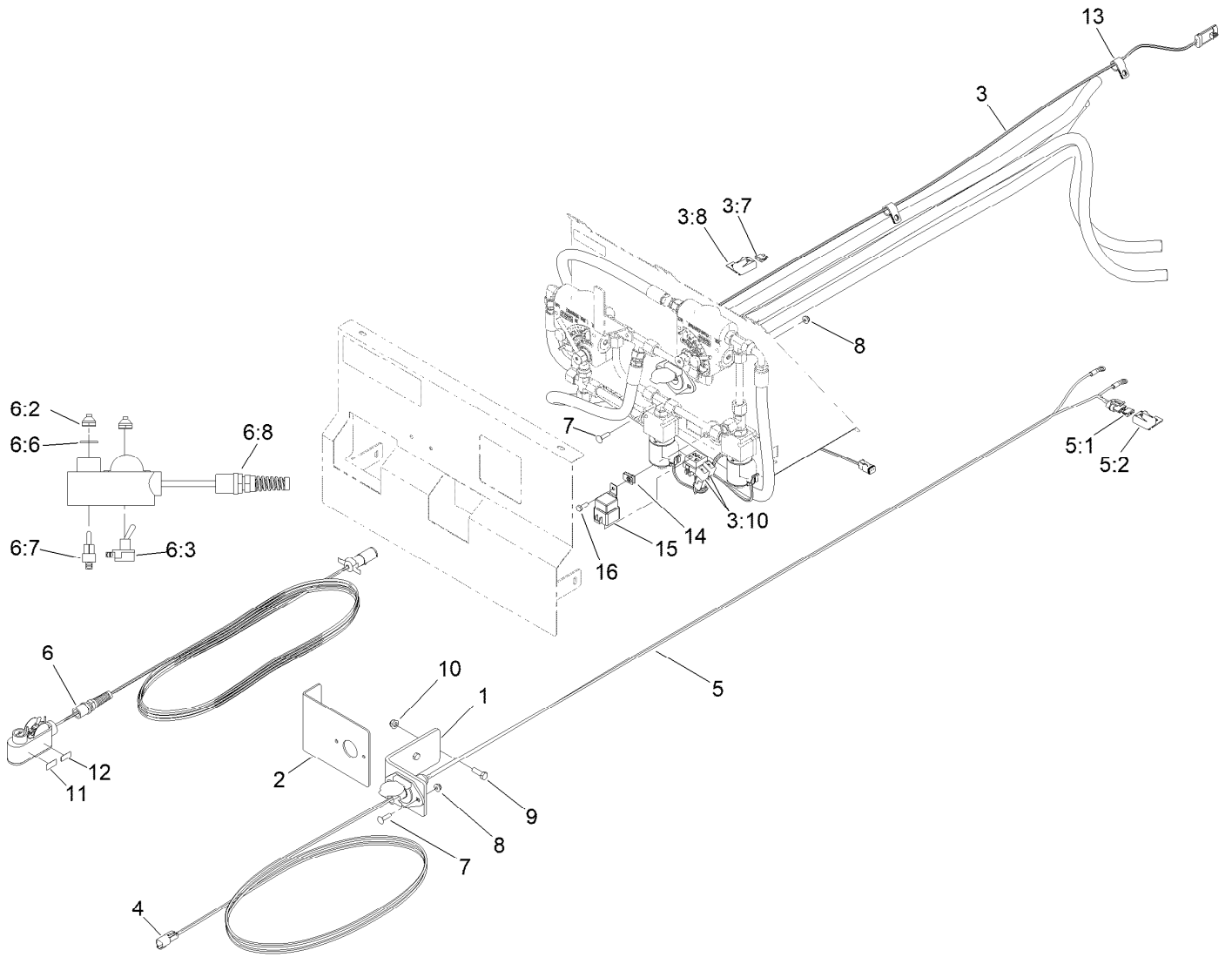
## Twin Spinner Interlock Assembly (continued)

<i>Ref.</i>	<i>Part Number</i>	<i>Qty.</i>	<i>Description</i>	<i>Ref.</i>	<i>Part Number</i>	<i>Qty.</i>	<i>Description</i>
33	104-7201	12	Nut-HF, NI	44	115-1151	1	Washer-Flat
34	144-3532	2	Shim-Gate	45	110-3408	1	Stick-Cleanout
35	107-1549	4	Hinge-Half	46	144-3539	1	Bracket-Cleanout Stick
36	80-2570	2	Pin-Clevis	47	138-7590	1	Screw-HHF
37	9335044	2	Pin-Hair	48	104-8300	1	Nut-HF, NI
38	144-3533	1	Guard-Access, ASM	49	140-6536	1	Bracket-Mount, Sensor
39	100-1445	8	Bolt-CARR	50	115-5300	1	Proximity Switch ASM
40	115-2416	2	Latch-Rubber	50:1	117-3207	2	Nut-Hex
41	321-39	2	Screw-HH	50:2	117-3208	2	Washer-Lock, Internal Tooth
42	3296-2	2	Nut-Lock, NI	51	3234-33	2	Screw-HHF
43	144-3540	1	Spacer				



## Access Guard Assembly No. 144-3533

<i>Ref.</i>	<i>Part Number</i>	<i>Qty.</i>	<i>Description</i>
1	144-3655	1	Guard-Access
1:2	119-6814	1	Decal-Operating System
2	103-2897	2	Latch-Catch
3	3274-39	4	Screw-HSBH
4	3296-2	4	Nut-Lock, NI
5	65-5100	1	Handle-Door
6	137-3101	2	Screw-Plastic, HWH



## Electrical Assembly

Ref.	Part Number	Qty.	Description	Ref.	Part Number	Qty.	Description
1	T36054030	1	Bracket-Socket, Heavy	6:3	119-7553	1	Switch-Toggle
2	T36054020	1	Bracket-Socket	6:6	41-8440	1	Washer
3	122-2461	1	Harness-Wire, Pp200 Standard	6:7	119-7551	1	Switch-Toggle, 2-Way
3:7	109355	1	Fuse-Blade, 15 Amp	6:8	120-0809	1	Harness-Wire, Pendant
3:8	32180-019	1	Cover-Fuse, Single	7	3229-2	4	Screw-CARR
3:10	100-4918	2	Diode	8	104-7201	4	Nut-HF, NI
4	119-6911	1	Harness-Wire, Intermediate Power	9	322-5	2	Screw-HH
5	119-6910	1	Harness-Wire, Universal Power Lead	10	104-8300	2	Nut-HF, NI
5:1	109355	1	Fuse-Blade, 15 Amp	11	119-6855	1	Decal-Attachment Speed
5:2	32180-019	1	Cover-Fuse, Single	12	119-6856	1	Decal-Conveyor Speed
6	119-6948	1	Pendant ASM	13	92-6064	3	Clamp-R
6:2	119-7554	2	Boot-Toggle Switch, Weatherproof	14	107069	1	Clip
				15	99-7430	1	Relay-Mini
				16	321-4	1	Screw-HH

# Attachments and Accessories

## For 44701 ProPass 200 Top Dresser with Twin Spinner

<b>Product Name</b>	<b>Model/Part</b>
Extension-hopper, Front .....	120-9393-01
Safety Chain Kit .....	139-3179
Twin Spinner .....	44702
Conveyor and Swivel Kit .....	44703
Tow-Type Chassis Hose Assembly Kit .....	44706
Toro Workman Chassis .....	44707
Storage Stand .....	44712
Hydraulic Power Pack .....	44713
Propass Deere Pro Gator Mount Kit .....	44714
Hopper Vibrator Kit, ProPass Top Dresser and MH-400 Material Delivery Unit .....	44723
Propass Tow Chassis And Fender Kit .....	44724

**Notes:**

**Notes:**



**Count on it.**