



**Count on it.**

**Parts Catalog**

**Multi Pro® 5800-D**

**Turf Sprayer with ExcelaRate® Spray System**

Model No. 41393—Serial No. 410500000 and Up



# Ordering Replacement Parts

To order replacement parts, please supply the part number, the quantity, and the description of each part desired.

## Understanding Reference Numbers

Each identified part in an illustration has a reference number. The reference number for a part also appears in the parts list, along with other information about the part.

This catalog uses two special reference number formats, one to indicate parts in a service assembly and another to indicate the quantity of a given part in an illustration.

## Service Assembly Reference Numbers

Parts in service assemblies have reference numbers in the form a:b. The a represents the reference number of the entire service assembly and the b represents a sequential number unique to each part within the service assembly.

For example, a wheel assembly might be identified by reference number 6, the tire by 6:1, the valve by 6:2, and the wheel by 6:3. When you order the assembly identified by reference number 6, you receive all parts identified by reference numbers 6:1, 6:2, and 6:3. However, you may also order any part individually. Reference numbers of this type appear in illustration and in parts lists.

## Reference Numbers Indicating Quantity

In an illustration, if a reference number indicates more than one part, the reference number has the form nX y. The n represents the quantity of the part, the X is the multiplication symbol, and the y represents the reference number.

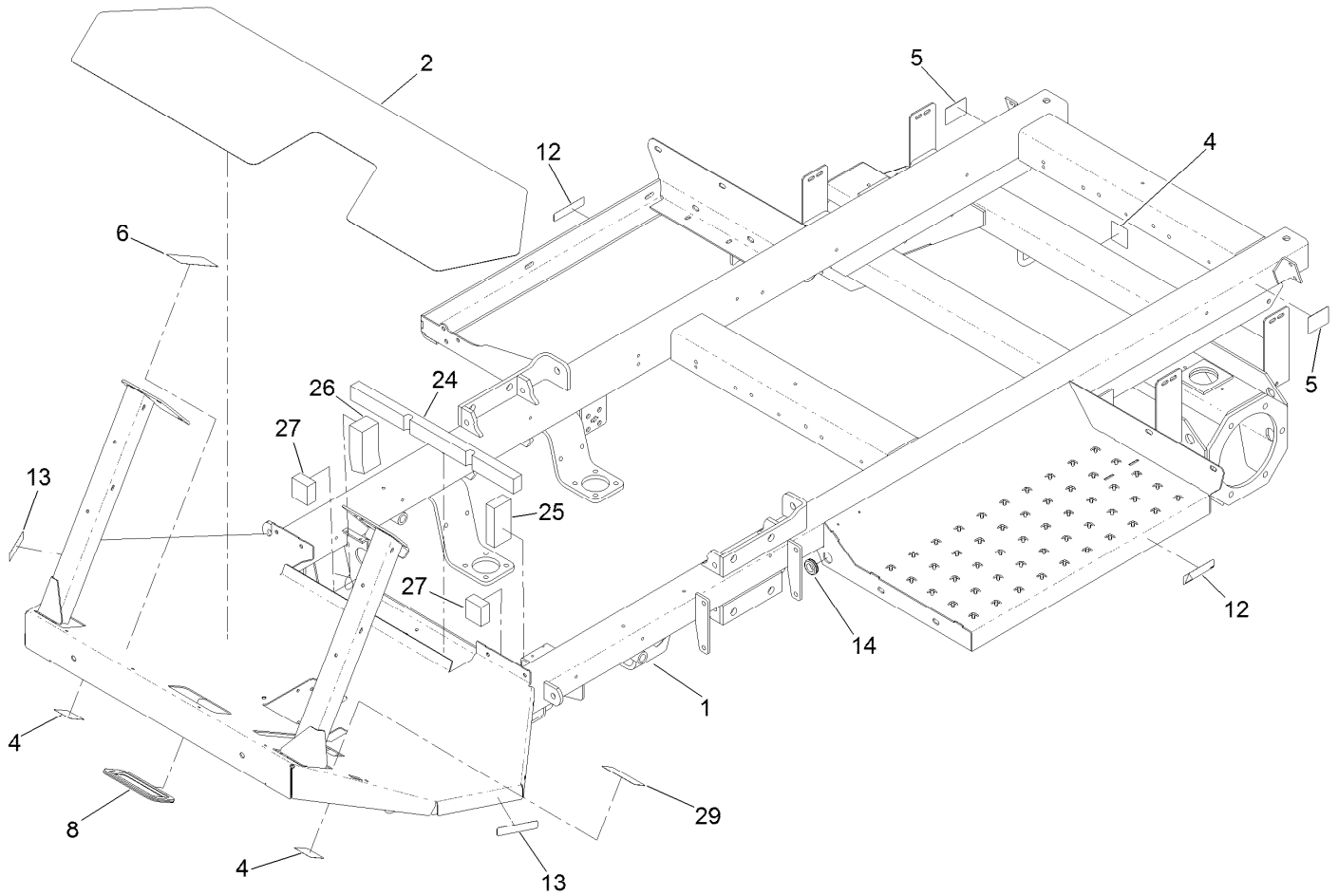
For example, in an illustration, the reference number 2X 37 means that two of the parts identified by reference number 37 are indicated.

# Contents

Frame and Step Assembly	5
Front Axle Assembly	6
Cylinder Assembly No. 138-6102	8
Hub Assembly No. 119-6003	9
Front Suspension Assembly	10
Seat Base Assembly	11
Seat, Fresh Water Tank and Roll-Over Protection System Assembly	12
Control Console Assembly	14
Brake Pedal Assembly	15
Traction Pedal Assembly	16
Throttle Assembly	17
Dash Panel Assembly	18
Hood and Fender Assembly	19
Engine Mounting and Bell Housing	20
Engine, Exhaust and Air Cleaner Assembly	21
Air Cleaner Assembly No. 106-5277	23
Fuel Tank Assembly	24
Radiator Assembly	25
Hydraulic Pump and Filter Assembly	26
Piston Pump Assembly No. 117-0685	28
Control Assembly No. 115-4446	30
Tandem Pump Assembly No. 138-6193	31
Hydraulic Tank Assembly	32
Hydraulic Tube and Hose Assembly	33
Pump Control Valve Assembly No. 117-0708	35
Steering Hydraulic Assembly	36
Steering Valve Assembly No. 137-7509	37
Boom Lift Assembly	38
Hydraulic Cylinder Assembly No. 117-0701	39
On-Off Boom Lift Valve Assembly No. 136-2400	40
Rear Drive Assembly	41
Planetary Assembly No. 136-2913	43
RH Brake Assembly No. 100-3069	44
LH Brake Assembly No. 100-3070	45
Hydraulic Motor Assembly No. 132-5631	46
Hydraulic Motor Assembly No. 136-2373	47
Electrical Assembly	48
Tank and Saddle Assembly	50
Tank Assembly No. 117-8005	51
Spray Tank Lid Assembly No. 138-6283	52
Bypass Hose Assembly No. 132-4297	53
Tank Mounting and Filter Assembly	54
Filter Assembly No. 130-7096	55
Spray System Hose Assembly	56
Spray Pump and Valve Assembly	58
Spray Manifold Assembly	60
Manifold Valve Kit No. 131-7256	61
Manifold Valve Kit No. 131-0253	62
Pressure Filter Assembly No. 131-3791	63
On/Off Manifold Valve Kit No. 127-9803	64
Actuator On/Off Assembly No. 140-7377	65
Bypass Valve Assembly No. 127-9805	66
On/Off 2-Way Valve Kit No. 131-0249	67
Pump Assembly No. 137-4230	68

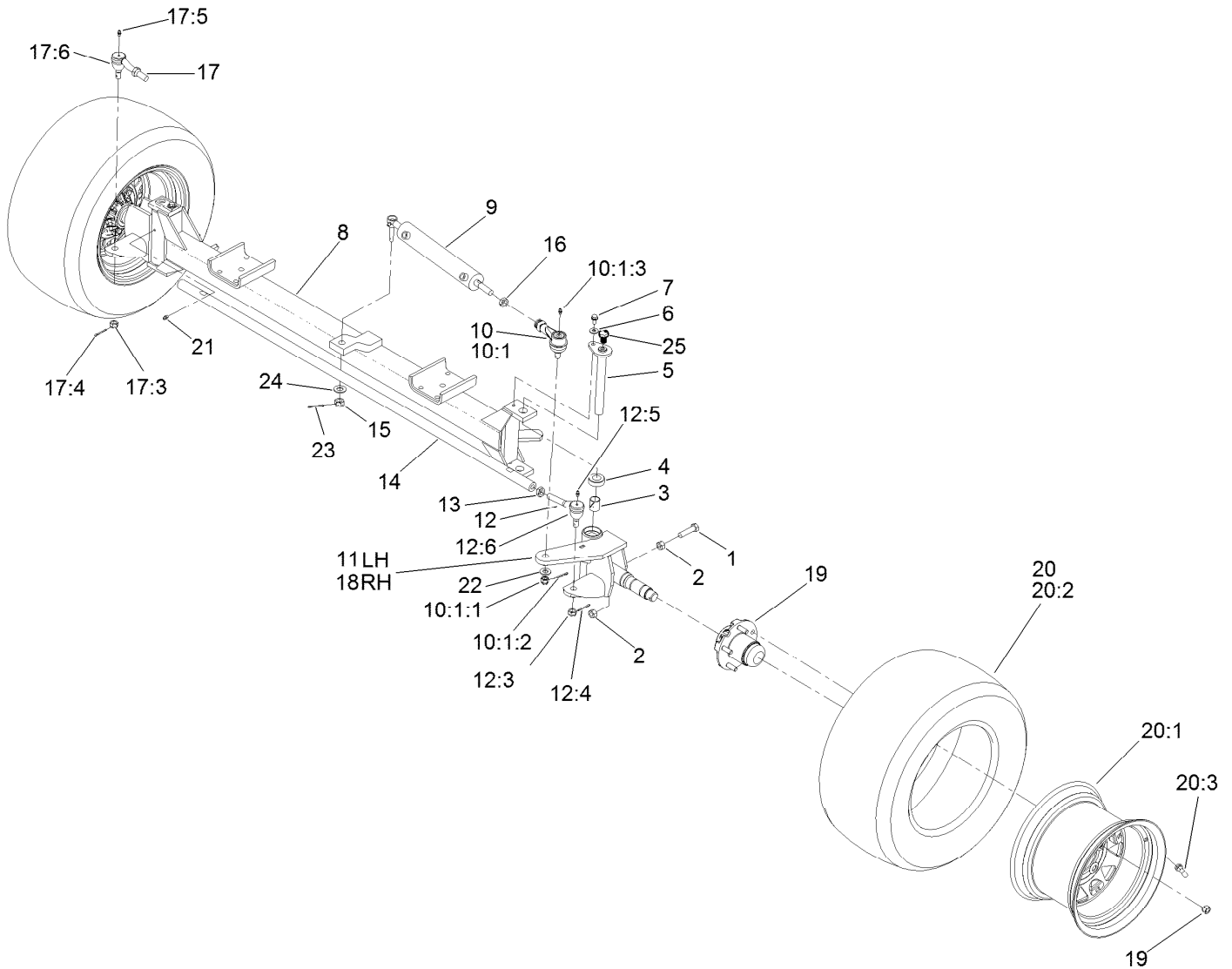
# Contents (continued)

Hydraulic Motor Assembly No. 117-0706 .....	69
Center Boom Assembly .....	70
LH Single Turret Body Assembly No. 108-3725 .....	72
Double Turret Body Assembly No. 108-3727 .....	73
RH Single Body Turret Assembly No. 108-3726 .....	74
Boom Pivot Assembly .....	75
Left and Right Hand Boom Assembly .....	76
Crankcase Assembly .....	77
Oil Pan Assembly .....	78
Cylinder Head Assembly .....	79
Gear Case Assembly .....	80
Cylinder Head Cover Assembly .....	81
Dipstick and Guide Assembly .....	82
Main Bearing Case Assembly .....	83
Camshaft and Idle Gear Assembly .....	84
Piston and Crankshaft Assembly .....	85
Flywheel Assembly .....	86
Fuel Camshaft and Governor Shaft Assembly .....	87
Idle Apparatus Assembly .....	88
Injection Pump Assembly .....	89
Governor Assembly .....	90
Speed Control Plate Assembly .....	91
Nozzle Holder and Glow Plug Assembly .....	92
Nozzle Holder Component Assembly .....	93
Alternator and Pulley Assembly .....	94
Alternator Components Assembly .....	95
Starter Assembly .....	96
Starter Component Part Assembly No. 111-7496 .....	97
Water Flange and Thermostat Assembly .....	98
Water Pump Assembly .....	99
Valve and Rocker Arm Assembly .....	100
Inlet and Exhaust Manifold Assembly .....	101
Muffler Gasket, Glow Controller and Overflow Bottle Assembly .....	102
Attachments and Accessories .....	103



## Frame and Step Assembly

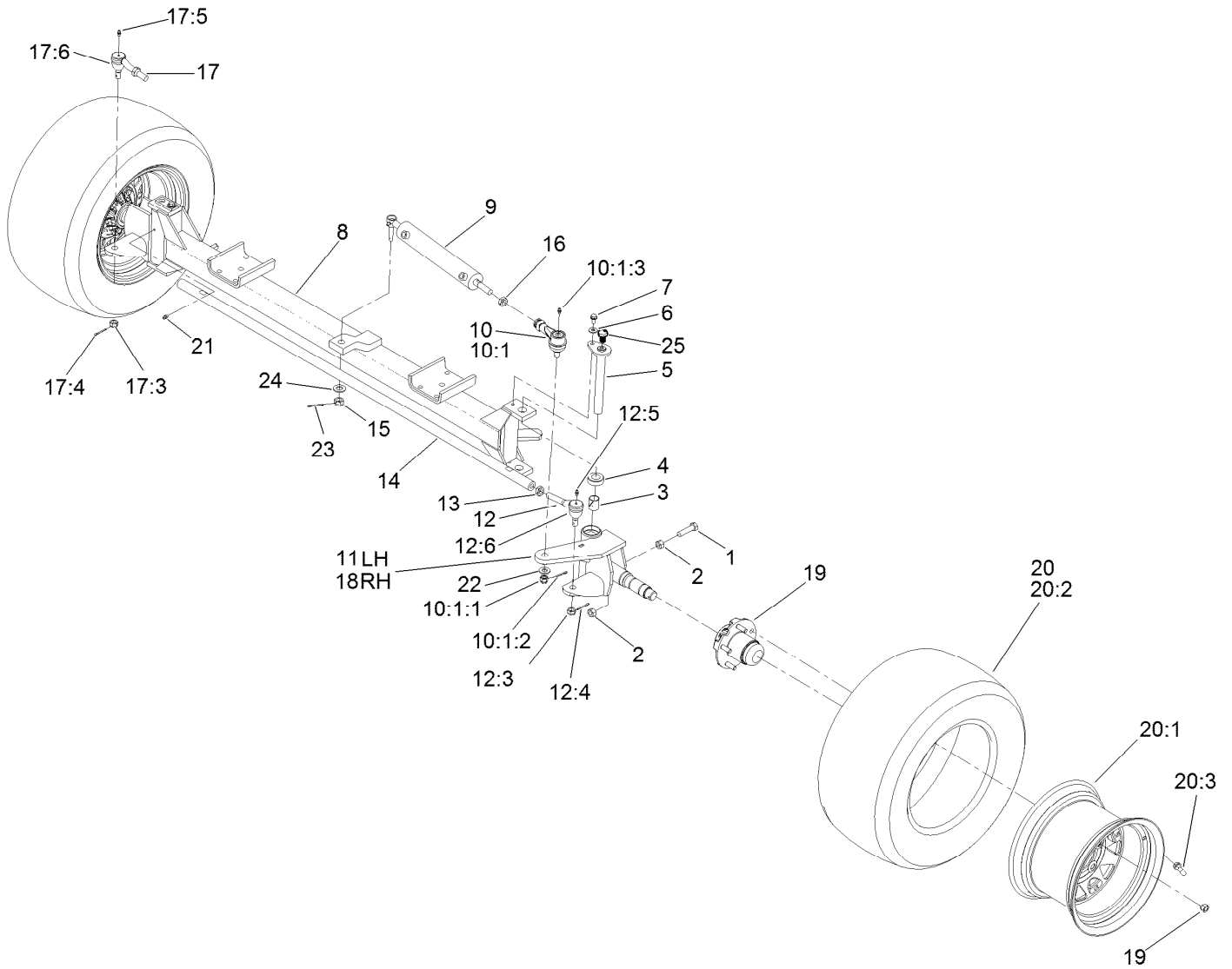
<i>Ref.</i>	<i>Part Number</i>	<i>Qty.</i>	<i>Description</i>
1	130-7070-03	1	Frame
2	104-8863	1	Tread-Floor
4	120-0623	3	Decal-Tie Down, Towing
5	107-8667	2	Decal-Jacking
6	107-8724	1	Decal-Traction
8	119-0599	1	Trim-Seal
12	107-8732	2	Decal-Torque (CE)
13	107-8731	2	Decal-Torque (CE)
14	240-6	1	Grommet-Rubber
24	131-5751	1	Foam-Seal
25	131-5752	1	Foam-Seal
26	131-5753	1	Foam-Seal
27	131-5754	2	Foam-Seal
29	136-2351	1	Decal-Brake, Parking



## Front Axle Assembly

Ref.	Part Number	Qty.	Description	Ref.	Part Number	Qty.	Description
1	01-182-0816	2	Bolt-HH	12:5	302-5	1	Fitting-Grease
2	3217-9	4	Nut-HH	12:6	107-1587	1	Seal
3	93-6586	4	Bushing	13	3218-21	1	Nut-Jam LH
4	93-6587	2	Bearing	14	93-6588-03	1	Rod-Steering
5	138-6177	2	Pin-King	15	32136-13	1	Nut-SHH
6	3256-3	2	Washer-Flat	16	3220-11	2	Nut-Jam
7	32144-14	2	Screw-HWHTF	17	87-1480-03	1	End-Tie Rod, RH
8	138-9615-03	1	Front Axle ASM	17:3	32136-3	1	Nut-SHH
9	138-6102	1	Cylinder ASM	17:4	3272-12	1	Pin-Cotter
10	93-6509-03	1	Tie Rod End ASM	17:5	302-5	1	Fitting-Grease
10:1		1	End-Tie Rod ●	17:6	107-1587	1	Seal
10:1:1	137-4176	1	Nut-Hex, Slotted	18	117-5897-03	1	Spindle-RH
10:1:2	3272-12	1	Pin-Cotter	19	119-6003	2	Hub ASM
10:1:3	302-5	1	Fitting-Grease	20	127-1100	2	Wheel And Tire ASM
11	138-6244-03	1	Spindle-LH	20:1	125-5899	1	Wheel
12	87-1470-03	1	End-Tie Rod, LH	20:2	120-2114	1	Tire-Smooth
12:3	32136-3	1	Nut-SHH	20:3	232-27	1	Stem-Valve
12:4	3272-12	1	Pin-Cotter	21	302-5	2	Fitting-Grease

● Not serviced separately

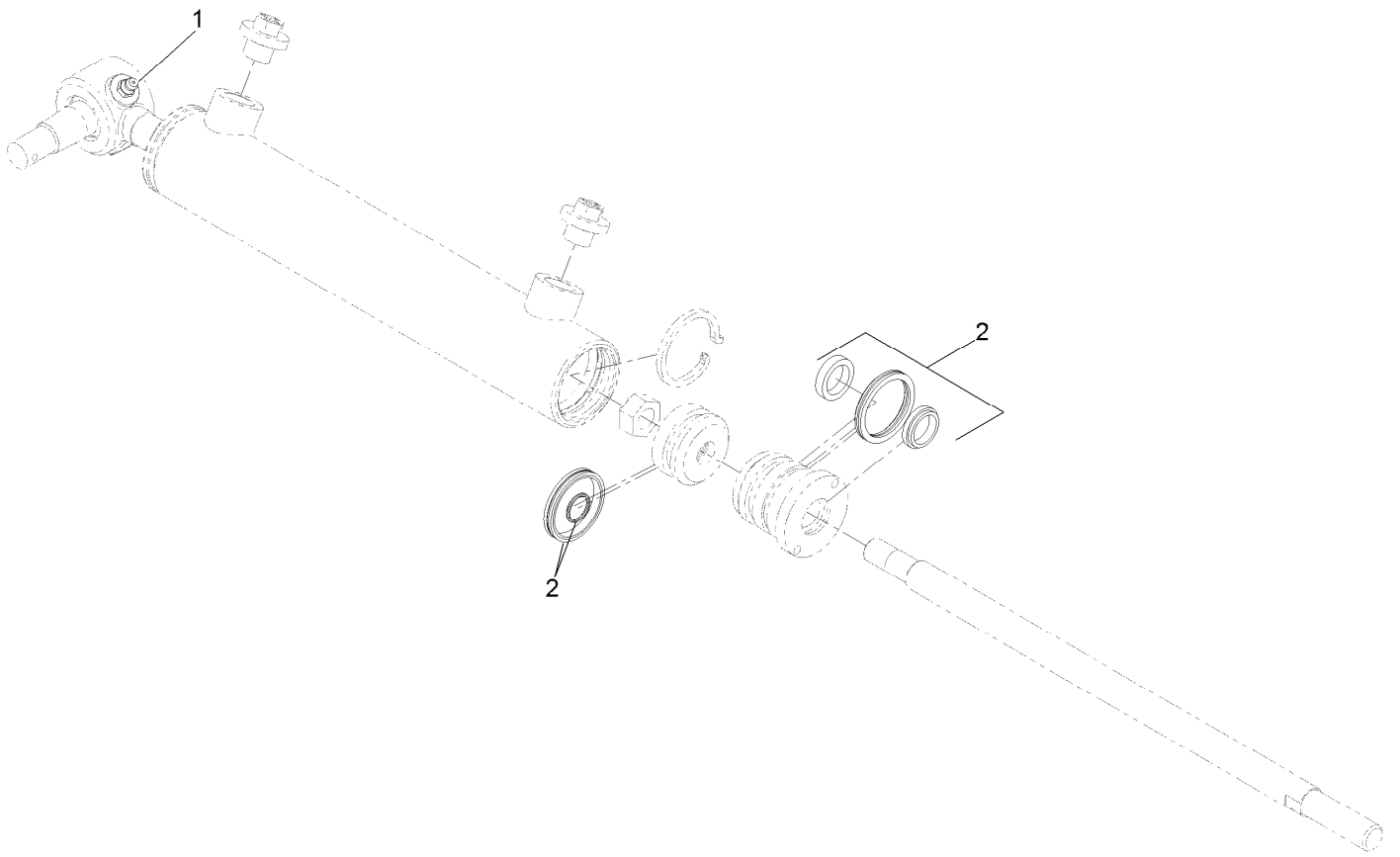


## Front Axle Assembly (continued)

<i>Ref.</i>	<i>Part Number</i>	<i>Qty.</i>	<i>Description</i>
22	87-7270	1	Washer-Thrust
23	3272-12	2	Pin-Cotter

<i>Ref.</i>	<i>Part Number</i>	<i>Qty.</i>	<i>Description</i>
24	119-1868	1	Washer
25	138-6279	2	Screw-Cap, HH

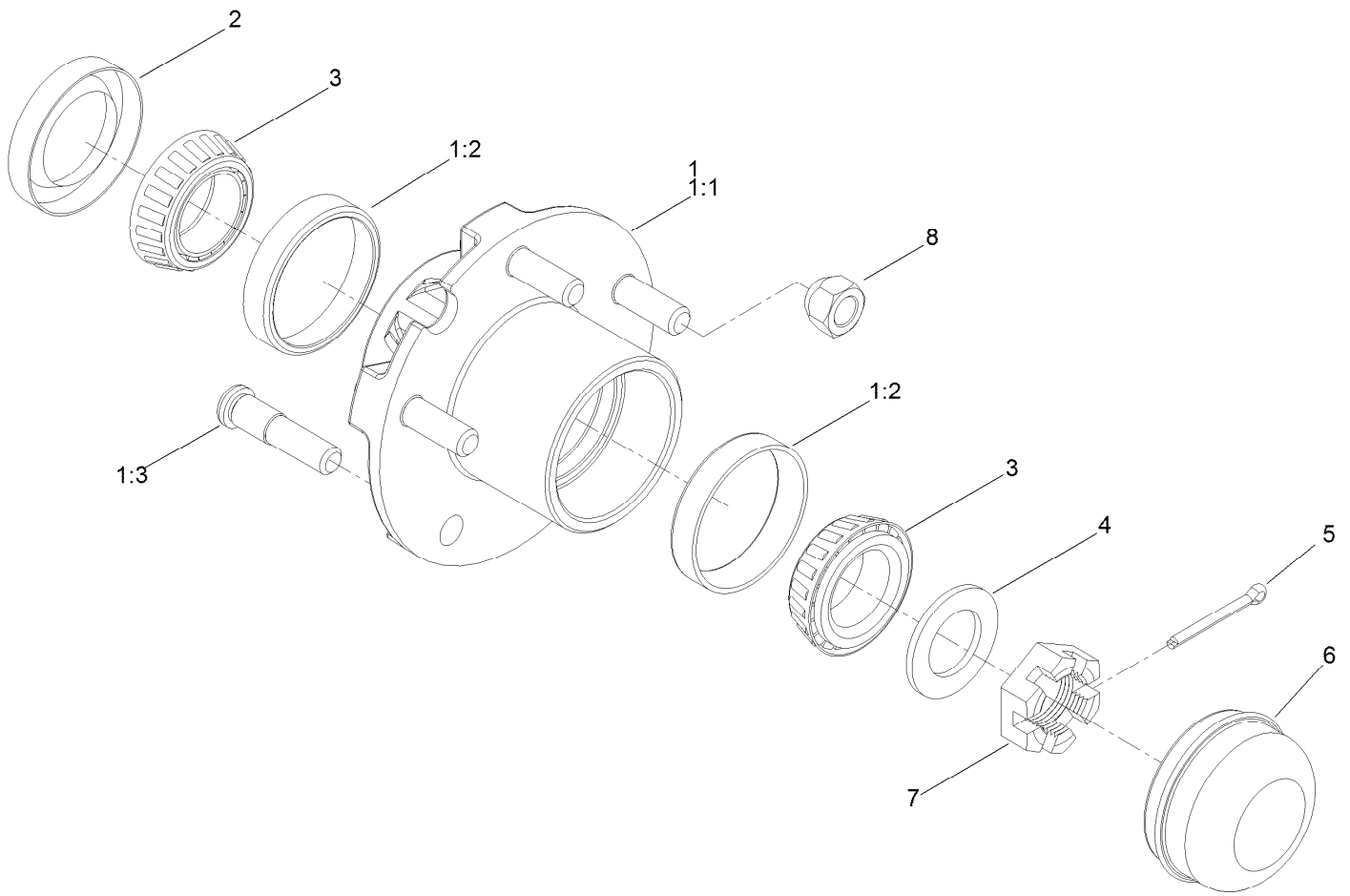
● Not serviced separately



## Cylinder Assembly No. 138-6102

<i>Ref.</i>	<i>Part Number</i>	<i>Qty.</i>	<i>Description</i>
1	302-5	1	Fitting-Grease
2	139-3099	1	Repair Kit, Cylinder

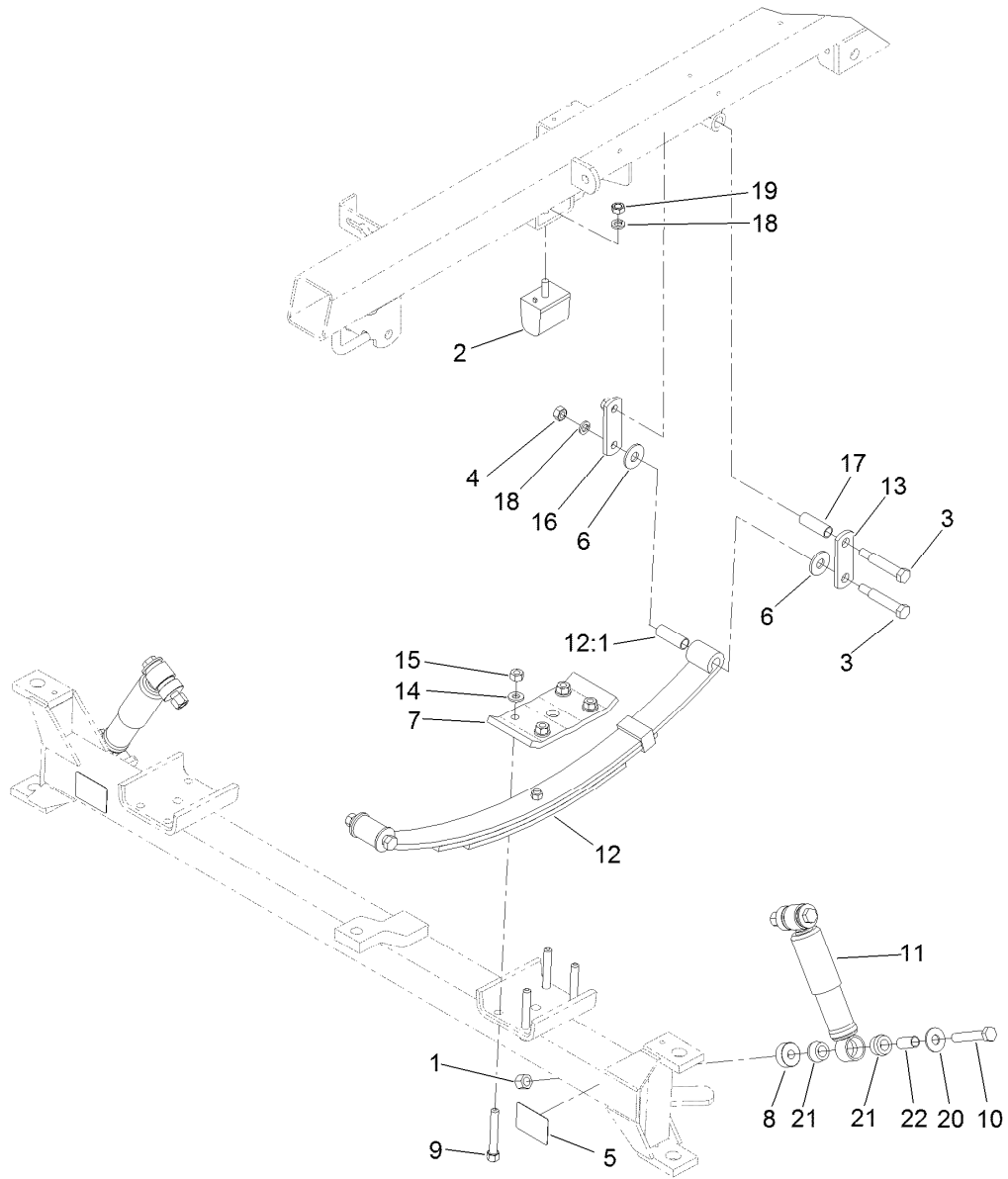




## Hub Assembly No. 119-6003

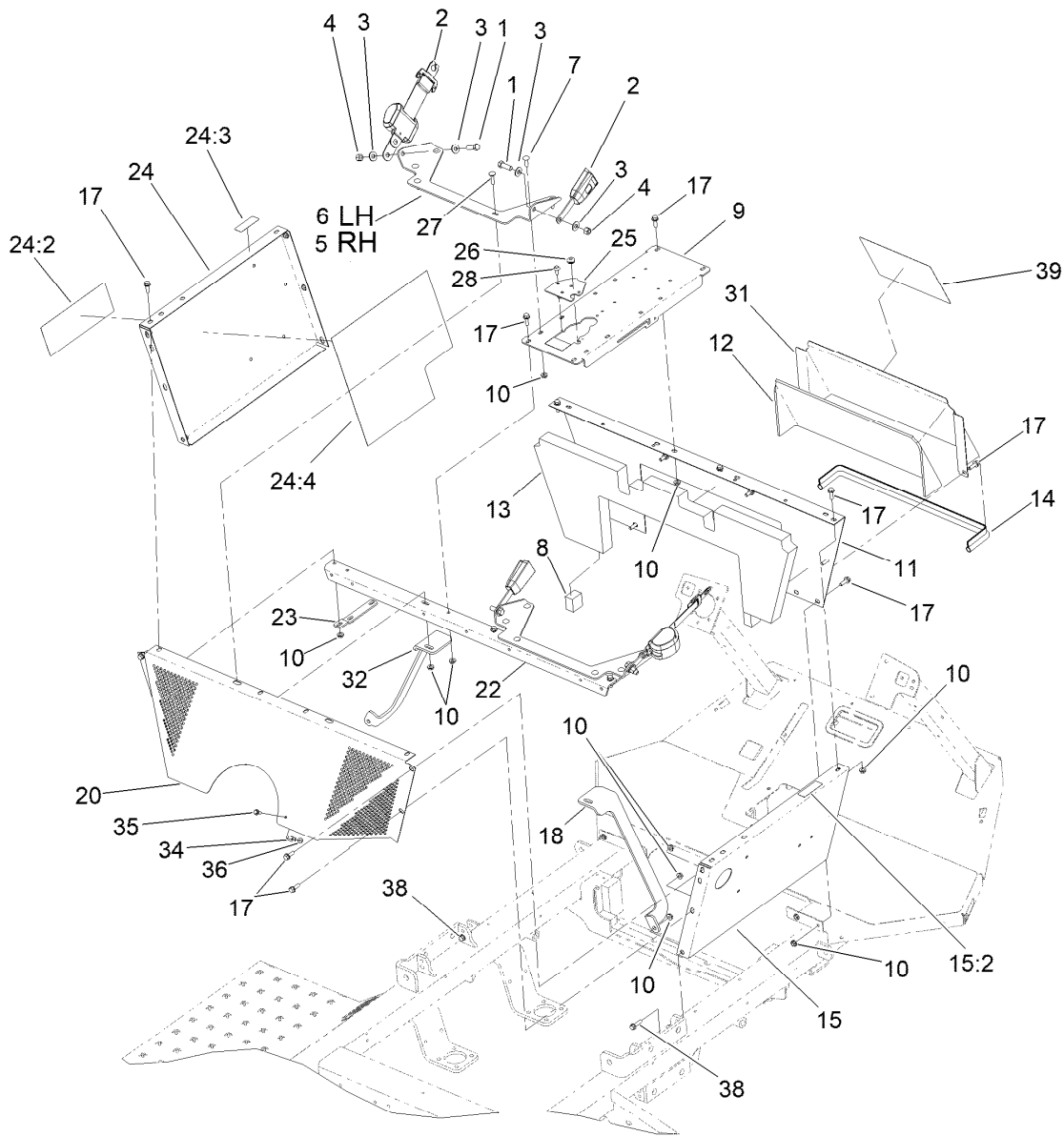
<i>Ref.</i>	<i>Part Number</i>	<i>Qty.</i>	<i>Description</i>
1	119-6001	1	Hub ASM
1:1		1	Hub ●
1:2	115-9471	2	Bearing-Cup
1:3	69-2990	5	Stud-Wheel
2	94-7285	1	Seal
3	254-62	2	Bearing-Roller, Cone
4	85-5770	1	Washer-Thrust
5	3272-18	1	Pin-Cotter
6	119-6004	1	Cap-Dust
7	119-6005	1	Nut-Slotted, Hex
8	242-35	5	Nut-Wheel

● Not serviced separately



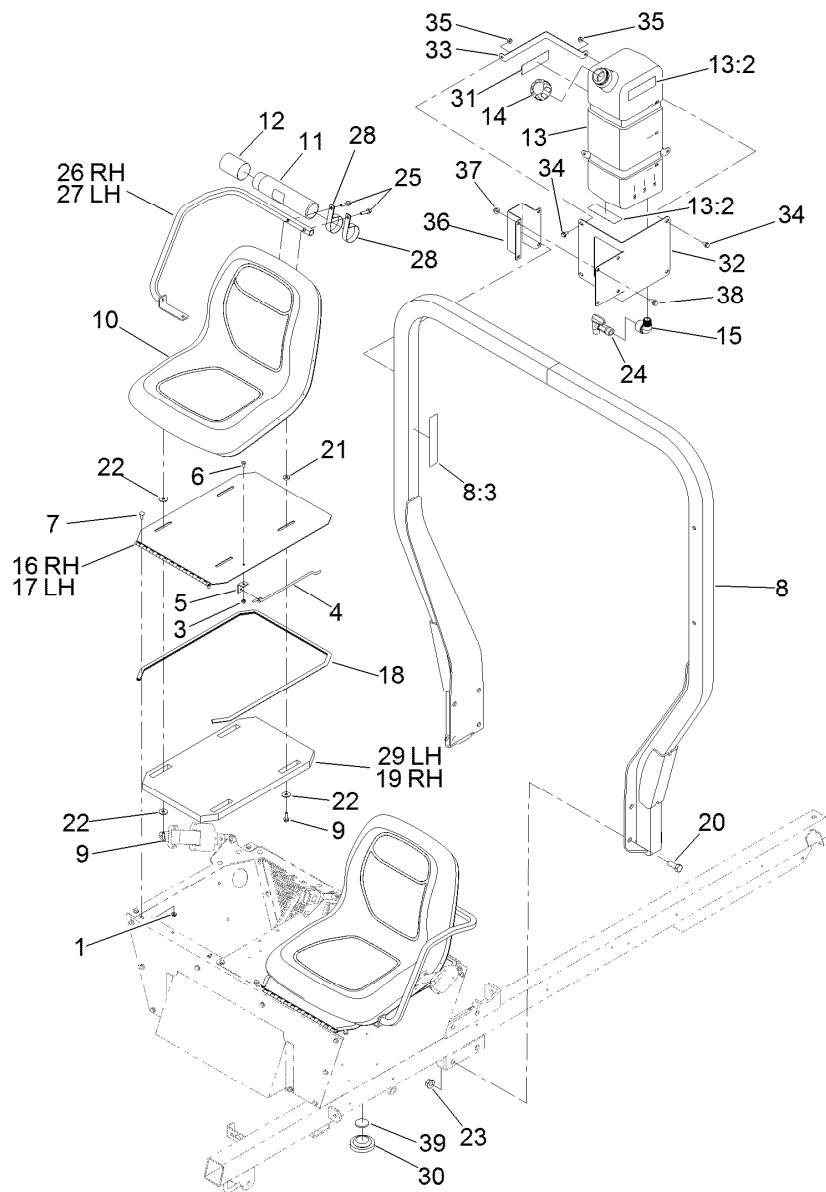
## Front Suspension Assembly

Ref.	Part Number	Qty.	Description	Ref.	Part Number	Qty.	Description
1	3296-23	4	Nut-Lock, NI	12:1	119-9437	2	Bushing-Spring, Leaf
2	87-3470	2	Bumper	13	42574	2	Shackel-Outside
3	110-5072	6	Bolt-Shoulder	14	87-7480	8	Washer
4	3217-8	6	Nut-Hex	15	106-0327	8	Nut-Hex
5	107-8667	2	Decal-Jacking	16	42576	2	Shackel-Inside
6	93-6161	8	Washer	17	42592	2	Bushing-Shackle
7	121-5089-03	2	Plate-Top, Spring	18	3253-6	8	Washer-Lock
8	127-2913	4	Spacer	19	93-6166	2	Nut-Hex
9	26-0672	8	Bolt-Blade	20	3256-6	4	Washer-Flat
10	325-12	4	Screw-HH	21	87-3920	8	Bushing
11	121-9774	2	Absorber-Shock	22	127-2925	4	Sleeve
12	99-0569	2	Spring Leaf				



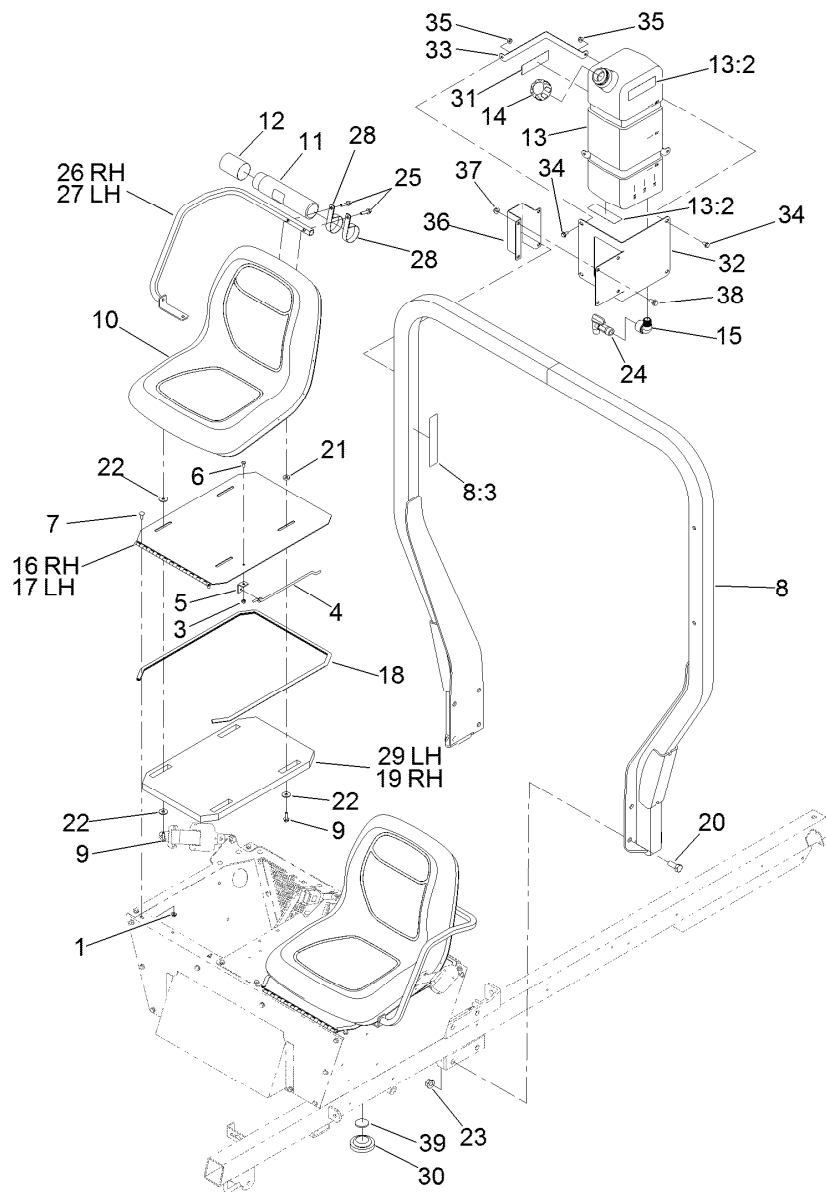
## Seat Base Assembly

<i>Ref.</i>	<i>Part Number</i>	<i>Qty.</i>	<i>Description</i>	<i>Ref.</i>	<i>Part Number</i>	<i>Qty.</i>	<i>Description</i>
1	324-5	4	Screw-HH	22	119-5025-0P	1	Angle-Seat Box
2	110-0413	2	Seatbelt-Retractable	23	95-2264	2	Strap
3	3256-4	8	Washer-Flat	24	131-5788	1	LH Seat Box Panel ASM
4	3296-48	4	Nut-Hex	24:2	120-0619	1	Decal-Warning
5	121-5071-03	1	Bracket-Seat Belt, RH	24:3	120-0625	1	Decal-Warning
6	121-5072-03	1	Bracket-Seat Belt, LH	24:4	131-5806	1	Shield-Heat Tape, Seatbase (LH)
7	3230-22	10	Screw-CARR	25	132-7705-03	1	Retainer-Harness, Base
8	144-6168	2	Strip-Foam, Noise Barrier	26	237-141	1	Grommet-Rubber
9	132-7667-03	1	Base-Console	27	3230-3	2	Screw-CARR
10	32128-20	36	Nut-HF	28	119-4012	2	Screw-HWHTF
11	130-7107-01	1	Panel-Front, Seatbase	31	130-7119-01	1	Panel-Access, Seatbase
12	130-7132	1	Barrier-Noise, Access Panel	32	107-8730-0P	1	Support-LH
13	144-6240	1	Barrier - Noise, Front Panel	34	2412-72	1	Clip-Closed, Insulated
14	131-3282	1	Trim	35	3234-4	1	Screw-HHF
15	130-7104	1	Panel-Seatbase, RH	36	104-7201	1	Nut-HF, NI
15:2	120-0625	1	Decal-Warning	38	3234-36	2	Screw-HHF
17	3234-17	22	Screw-HHF	39	139-3065	1	Decal-Service
18	107-8729-0P	1	Support-RH				
20	106-5286-03	1	Shroud-Engine				



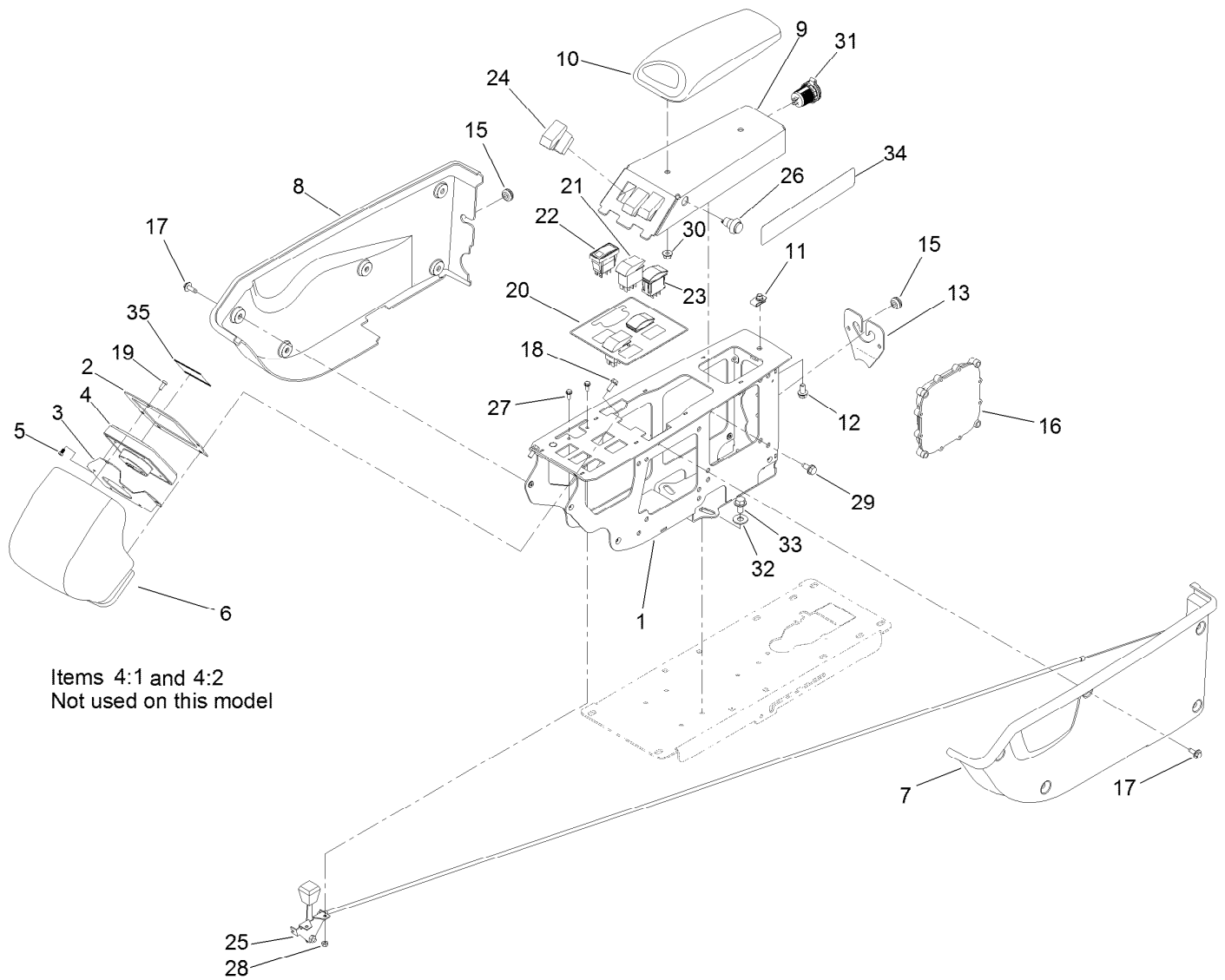
## Seat, Fresh Water Tank and Roll-Over Protection System Assembly

<i>Ref.</i>	<i>Part Number</i>	<i>Qty.</i>	<i>Description</i>	<i>Ref.</i>	<i>Part Number</i>	<i>Qty.</i>	<i>Description</i>
1	32128-20	4	Nut-HF	19	108-3290	1	Barrier-Noise, Seat
3	3296-42	2	Nut-Lock, NI	20	327-4	8	Screw-HH
4	94-7204	2	Rod-Prop, Seat	21	7-0081	6	Washer-Flat
5	94-7203	2	Bracket	22	52-2861	10	Washer
6	321-3	2	Screw-HH	23	32128-50	8	Nut-Flange
7	3230-23	4	Bolt-CARR	24	100-7011	1	Spigot-90 DEG
8	119-0589	1	ROPS ASM	25	33104-035	4	Screw-HHF
8:3	117-4955	1	Decal-Danger, ROPS (CE)	26	140-6360	1	Armrest-RH
9	33104-025	8	Screw-HHF	27	140-6359	1	Armrest LH
10	112-2923	2	Seat ASM	28	2412-133	2	Clamp-R
11	104-7050	1	Tube-Manual	29	132-7666	1	Barrier-Noise, Seat
12	104-7048	1	Cap-Housing	30	100-3524	1	Switch-Seat
13	132-7745	1	Fresh Water Tank ASM	31	120-0616	1	Decal-Water, Fresh
13:2	120-0616	3	Decal-Water, Fresh	32	132-5619-03	1	Mount-Tank, Eye Wash
14	106-5052	1	Cap-Water, Fresh	33	132-7628-03	2	Band-Tank, Eye Wash
15	132-7706	1	Elbow-90 DEG	34	3234-7	4	Screw-HHF
16	108-3289-03	1	Panel-Seat, RH	35	104-8300	4	Nut-HF, NI
17	132-7664-03	1	Panel-Seat, LH	36	132-7627-03	1	Clamp-Bracket, Fresh Water Tank
18	94-7085	2	Trim				



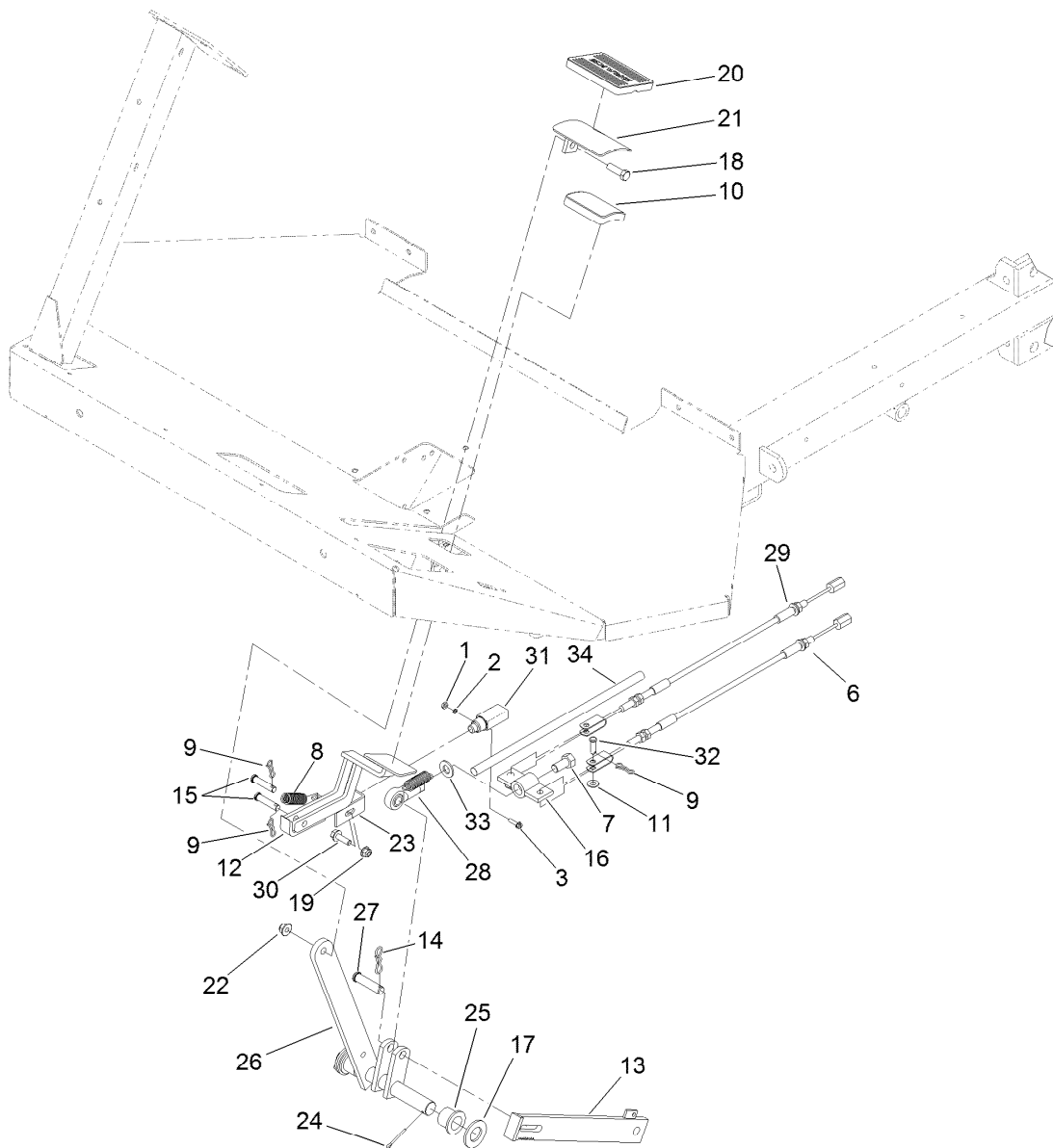
## Seat, Fresh Water Tank and Roll-Over Protection System Assembly (continued)

<i>Ref.</i>	<i>Part Number</i>	<i>Qty.</i>	<i>Description</i>	<i>Ref.</i>	<i>Part Number</i>	<i>Qty.</i>	<i>Description</i>
37	104-8301	4	Nut-HF, NI	38	3234-1	4	Screw-HHF
				39	133-2797	1	Disc-Plunger



## Control Console Assembly

Ref.	Part Number	Qty.	Description	Ref.	Part Number	Qty.	Description
1	132-5640-03	1	Frame-Console	19	3250-12	3	Screw-PPH
2	132-7615-03	1	Plate-Monitor	20	132-7695	1	Decal-Console
3	132-7610-0P	1	Retainer - Monitor	21	100-8490	2	Switch-Rocker, On-None-On
4	125-5320	1	Infocenter	22	104-9007	1	Switch-Rocker
4:1	115-8884	4	Nut-Thumb	23	100-1535	2	Switch-Rocker, (On)-Off-(On)
4:2	115-8885	4	Stud	24	95-8999	3	Switch
5	132-7668	4	Screw-PPH	25	119-0564	1	Control-Throttle
6	132-7617	1	Hood-Console	26	125-7996	1	Switch-Pb, Momentary
7	132-7611	1	Cover-LH	27	3290-321	2	Screw-HWH
8	132-7612	1	Cover-RH	28	3296-2	2	Nut-Lock, NI
9	132-5645-03	1	Panel-Arm	29	32144-70	4	Screw-HWHTF
10	131-9637	1	Armrest-Quick Find	30	104-8300	2	Nut-HF, NI
11	112-3306	1	Nut	31	131-8388	1	Socket-USB
12	3234-14	1	Screw-HHF	32	3256-4	3	Washer-Flat
13	132-7704-03	1	Retainer-Harness, Console	33	110-9380	3	Screw-HWH
15	237-141	2	Grommet-Rubber	34	132-7786	1	Decal-Quickfind
16	114-3321	1	Controller-Tec	35	114-5554	1	Decal-Center, Info
17	119-4012	12	Screw-HWHTF				
18	32144-85	2	Screw-HWH				



## Brake Pedal Assembly

Ref.	Part Number	Qty.	Description	Ref.	Part Number	Qty.	Description
1	3217-26	2	Nut-Hex	19	104-8300	1	Nut-HF, NI
2	3253-17	2	Washer-Lock	20	7-3900	1	Pad-Brake
3	32105-13	2	Screw-HWH	21	100-8422-0P	1	Bracket-Pedal, Welded
6	119-9364	1	Cable-Brake, LH	22	104-8301	1	Nut-HF, NI
7	3213-1	1	Screw-HH	23	93-6592	1	Bracket
8	92-0417	2	Spring-EXT	24	3272-12	2	Pin-Cotter
9	119-1415	4	Pin-Cotter, Locking	25	94-7164	2	Bearing
10	42719	1	Pad-Pedal	26	93-6589	1	Shaft-Brake
11	3256-23	2	Washer-Plain	27	42195	1	Pin-Clevis
12	93-6599-03	1	Catch	28	522087	1	Rod-End
13	93-6598-0P	1	Brake Strap ASM. - Emergency, Welded	29	119-9365	1	Cable-Brake, RH
14	119-1416	1	Pin-Cotter, Locking	30	3234-17	1	Screw-HHF
15	283-15	2	Pin-Clevis	31	99-7407	1	Switch
16	93-6595	1	Equalizer-Brake	32	283-58	2	Pin-Clevis
17	3256-29	3	Washer-Flat	33	3256-26	1	Washer-Flat
18	323-7	1	Screw-HH	34	130-7176	1	Sleeve-Thermal, Wrap

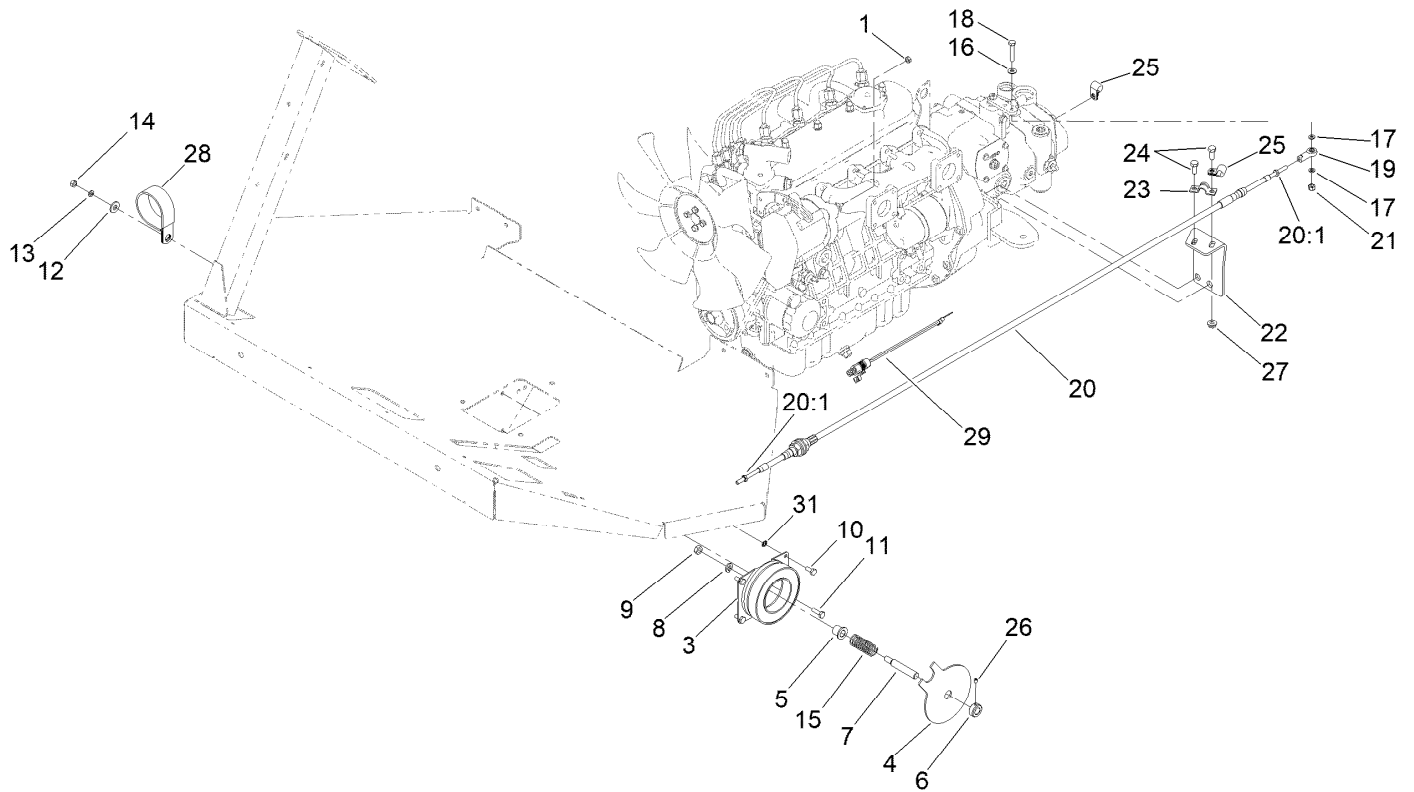


## Traction Pedal Assembly

Ref.	Part Number	Qty.	Description	Ref.	Part Number	Qty.	Description
1	92-0450	1	Bracket Pin	13	32121-11	1	Pin-Roll
2	92-0448	1	Pin-Pivot	14	3234-4	2	Screw-HHF
3	106-5247-03	1	Traction Pedal ASM	15	104-7201	2	Nut-HF, NI
3:1		1	Pedal-Traction ●	16	321-9	1	Screw-HH
3:1:6	106-5248	1	Spacer	17	33093-00	2	Washer-Flat
4	71-0440	1	Abrasive-Pedal	18	2411-41	1	Rod End-Ball Joint
5	95-3857	1	Screw-HSBH	19	3296-42	1	Nut-Lock, NI
6	80-7730	1	Spacer	20	3272-7	2	Pin-Cotter
7	2411-36	1	Bearing-End, Rod	21	104-8301	1	Nut-HF, NI
8	92-7609	1	Shaft-Spring	22	71-0450	1	Abrasive-Pedal, Rear
9	3220-3	1	Nut-HJ	23	3234-14	2	Screw-HHF
10	92-7608-03	1	Bracket-Spring	24	256-156	2	Bushing-Flange
11	3256-5	1	Washer-Flat	25	84-9100	1	Spring
12	92-7610	1	Retainer-Spring				

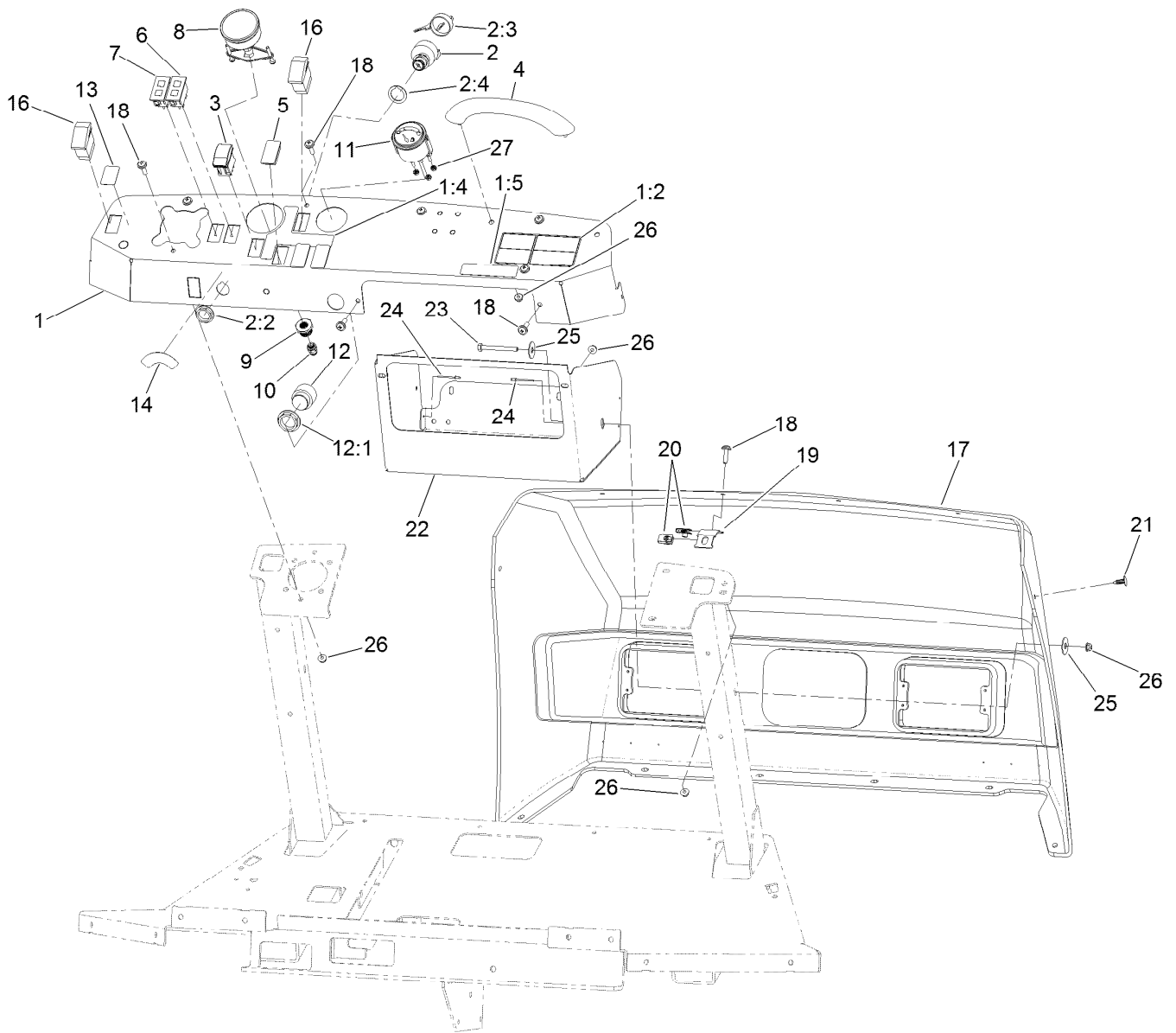
● Not serviced separately





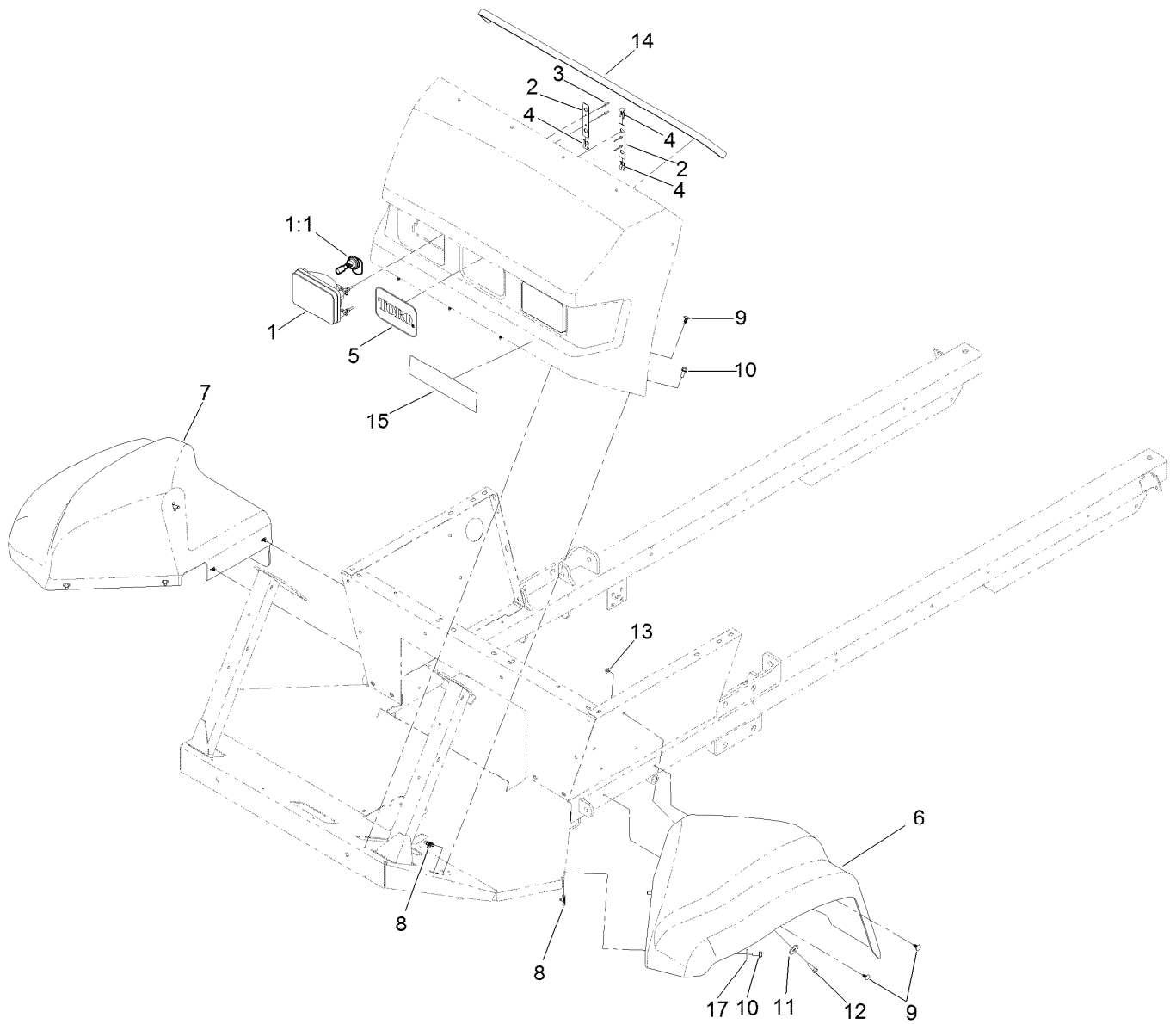
## Throttle Assembly

<i>Ref.</i>	<i>Part Number</i>	<i>Qty.</i>	<i>Description</i>	<i>Ref.</i>	<i>Part Number</i>	<i>Qty.</i>	<i>Description</i>
1	33013-00	1	Nut-Hex	17	33093-00	2	Washer-Flat
3	42-1720	1	Core-Field, Coil	18	321-9	1	Screw-HH
4	144-6182	1	Plate-Clutch	19	2411-41	1	Rod End-Ball Joint
5	256-273	1	Bushing-Flange	20	106-5233	1	Cable-Traction
6	43-6320	1	Collar	20:1	3220-1	2	Nut-Jam
7	69-9170	1	Shaft-Cruise	21	3296-42	1	Nut-Lock, NI
8	3253-5	1	Washer-Lock	22	119-9359	1	Bracket-Cable, Rear
9	3217-7	1	Nut-Hex	23	93-2092	1	Clamp-Cable
10	321-3	3	Screw-HH	24	322-3	2	Screw-HH
11	321-5	1	Screw-HH	25	2412-93	2	Clamp-R
12	3256-3	1	Washer-Flat	26	3245-32	1	Screw-HSH
13	3253-3	4	Washer-Lock	27	32128-20	2	Nut-HF
14	3217-5	4	Nut-Hex	28	2412-102	1	Clamp-R
15	43-6200	1	Spring-Compression	29	99-3441	1	Harness-Wire, Fusible Link
16	3256-22	1	Washer-Flat	31	3255-7	4	Washer-Lock/EXT



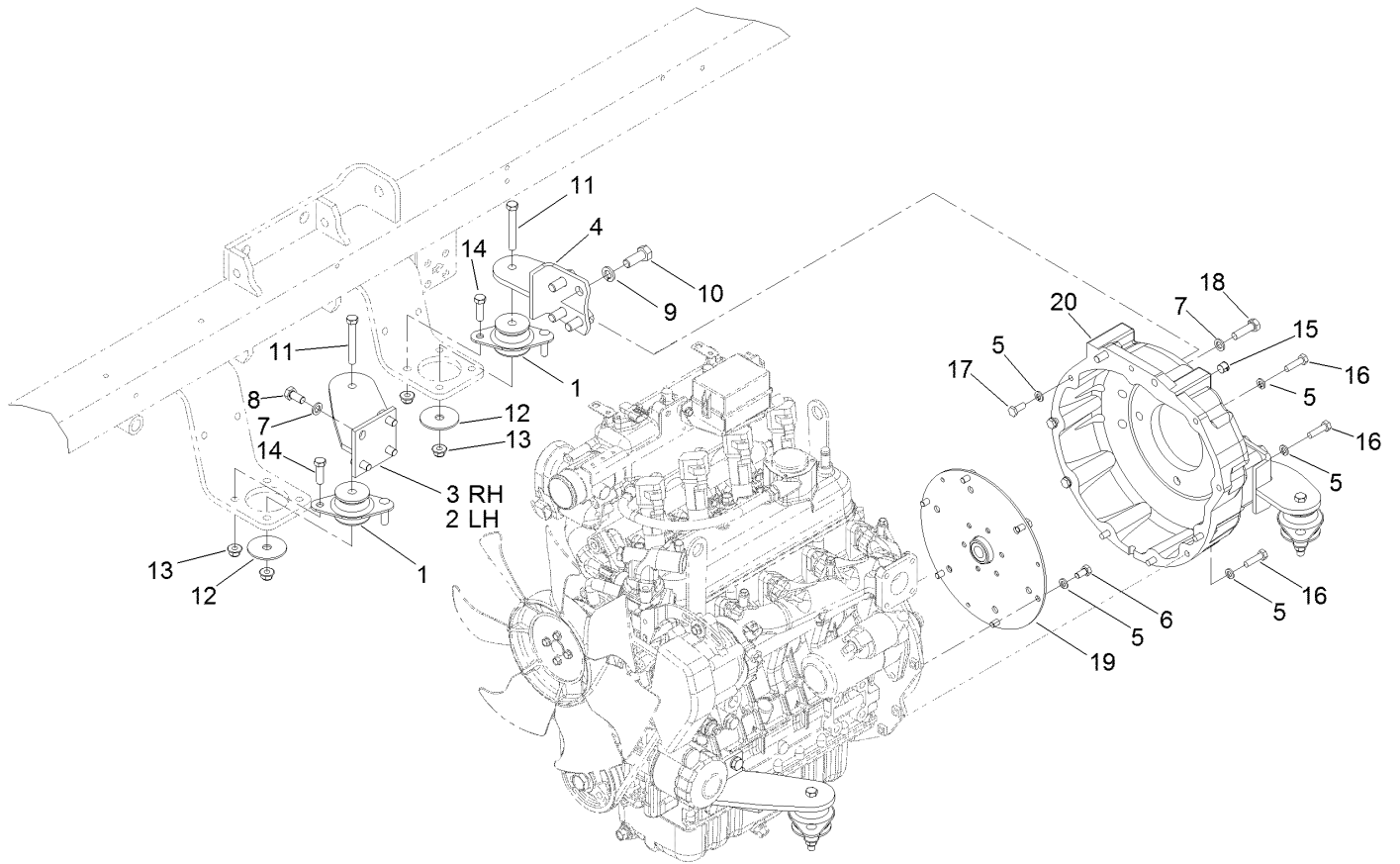
## Dash Panel Assembly

Ref.	Part Number	Qty.	Description	Ref.	Part Number	Qty.	Description
1	132-7690	1	Dash Panel ASM	11	132-7614	1	Gauge-Fuel
1:2	120-0624	1	Decal-Warning, Passenger	12	80-9330	1	Audio Alarm ASM
1:4	132-7689	1	Decal-Switch	12:1	104-5107	1	Nut-Plastic, Knurled
1:5	133-8062	1	Decal-Arrestor, Spark	13	132-7708	1	Decal-Lights, Horn
2	106-5269	1	Ignition Switch ASM	14	119-6035	1	Decal-Ignition Switch
2:2	108-8660	1	Nut-Mounting	16	95-8999	2	Switch
2:3	106-5270	1	Ignition Key Set	17	117-0793	1	Hood
2:4	108-8659	1	Washer-Backup	18	110-9361	12	Screw-PPH
3	100-1535	1	Switch-Rocker, (On)-Off-(On)	19	117-0735	4	Bracket-Hood
4	117-4948	1	Handle-Grab	20	107069	8	Clip
5	99-7420	3	Plug-Hole	21	117-2382	2	Plug-Plastic
6	120-6324	1	Cluster-Light, Incandescent	22	136-0426-03	1	Compartment-Storage
7	100-8070	1	Lamp-Warning	23	321-15	1	Screw-HH
8	120-8546	1	Gauge-Pressure	24	3269-32	3	Rivet-Pop
9	100-8665	1	Reducer-Gauge, Pressure	25	52-2860	2	Washer
10	100-8667	1	Coupler-Reducer	26	104-7201	7	Nut-HF, NI
				27	363-1483	3	Nut-Hex, K Lock



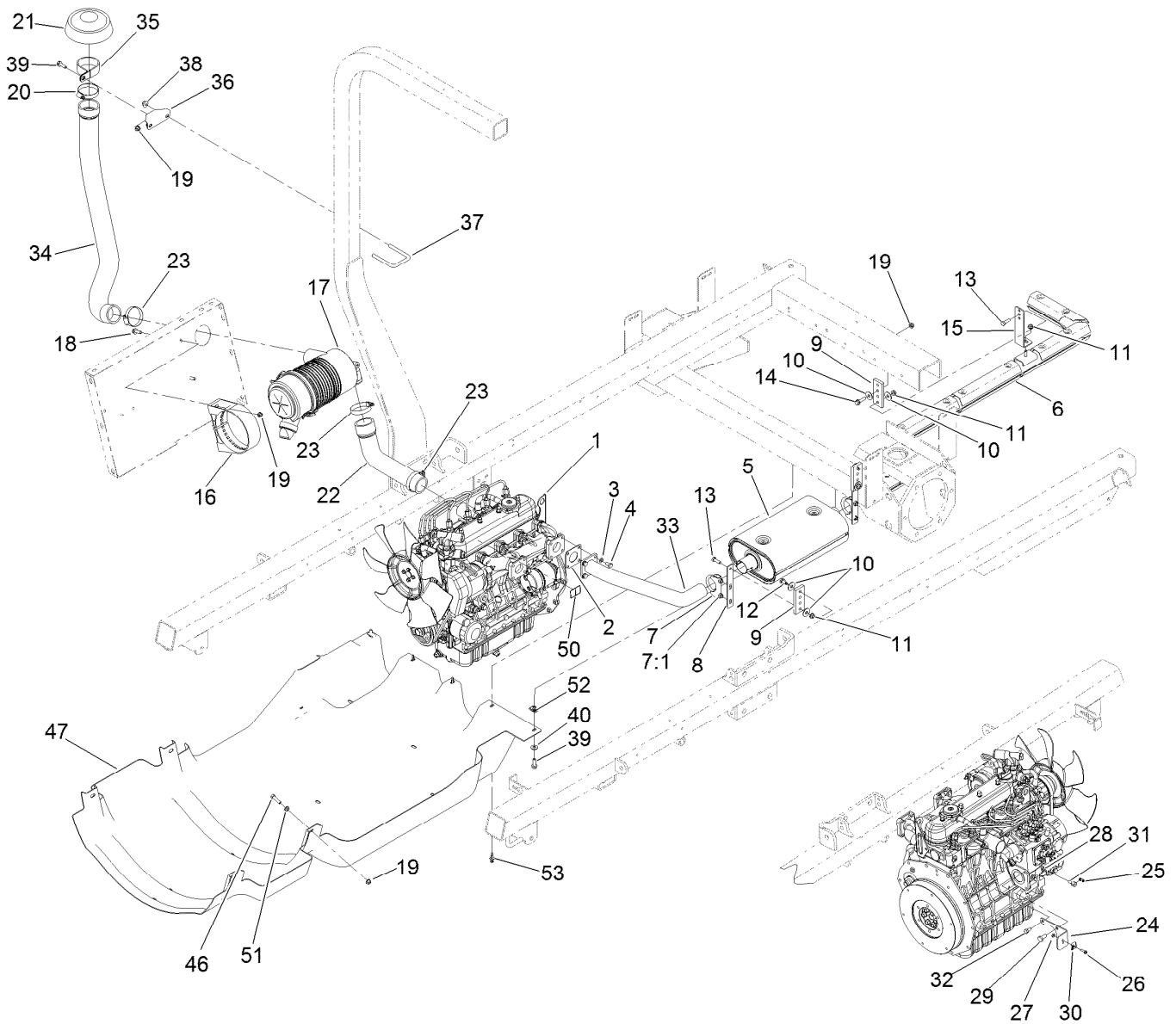
## Hood and Fender Assembly

<i>Ref.</i>	<i>Part Number</i>	<i>Qty.</i>	<i>Description</i>	<i>Ref.</i>	<i>Part Number</i>	<i>Qty.</i>	<i>Description</i>
1	132-6703	2	Headlight ASM	9	117-2382	8	Plug-Plastic
1:1	115-2395	1	Bulb-Light	10	3234-47	6	Screw-HHF
2	117-5832	4	Bracket-Headlight	11	63-8410	2	Washer
3	3290-274	8	Rivet-Pop	12	322-5	2	Screw-HH
4	115-2408	6	Clip-Speed	13	32128-20	2	Nut-HF
5	62-5550	1	Decal	14	119-0504	1	Trim-Hood
6	119-0417	1	Fender	15	131-3308	1	Decal
7	119-0418	1	Fender	17	3256-82	4	Washer-Flat
8	94-2413	6	Nut-U				



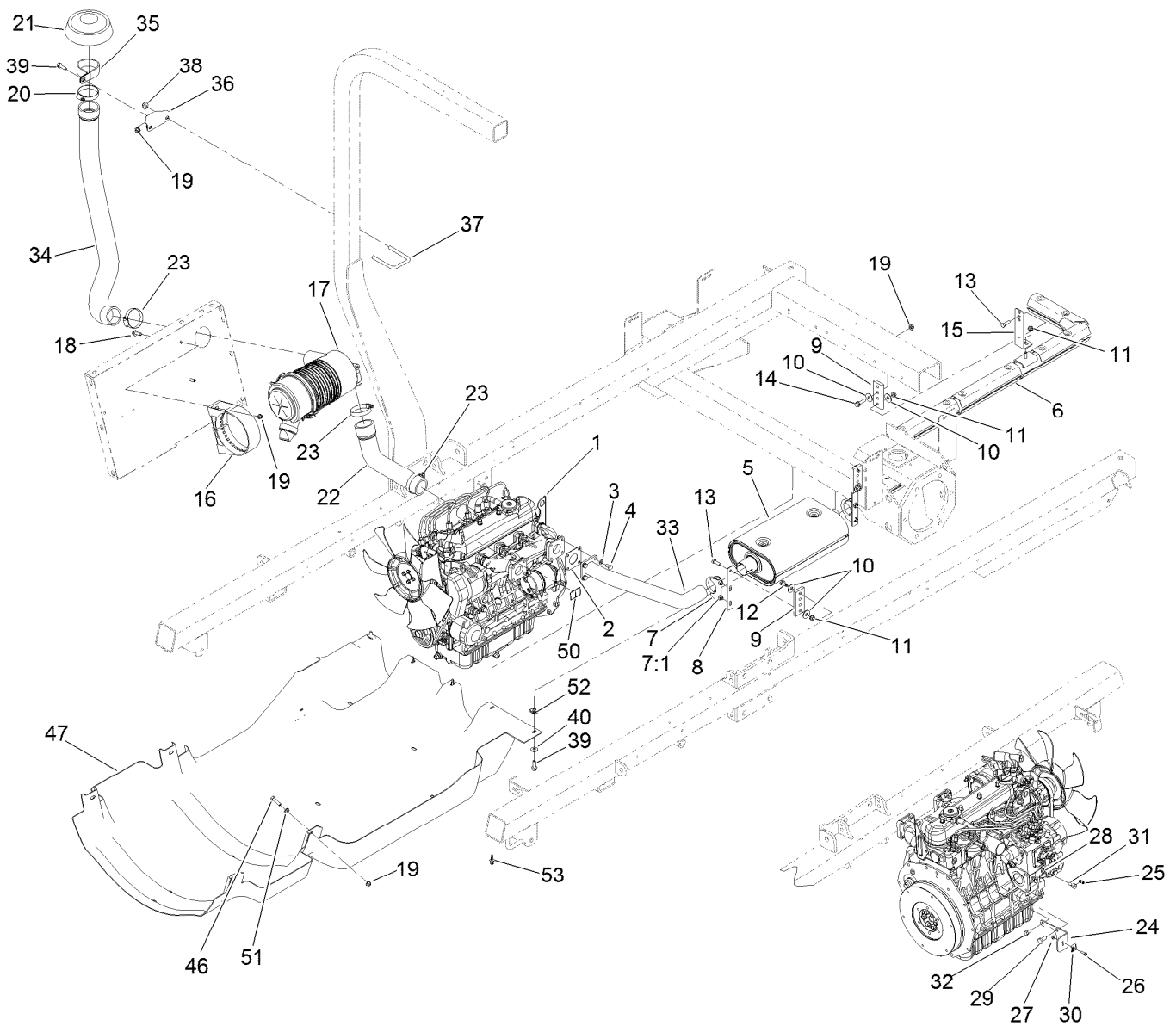
## Engine Mounting and Bell Housing

<i>Ref.</i>	<i>Part Number</i>	<i>Qty.</i>	<i>Description</i>	<i>Ref.</i>	<i>Part Number</i>	<i>Qty.</i>	<i>Description</i>
1	131-1821	4	Mount-Engine	11	323-13	4	Screw-HH
2	117-0667-0P	1	Bracket ASM-LH [primed]	12	87-5100	4	Washer-Snubbing
3	117-0666-0P	1	Bracket ASM-RH [primed]	13	104-8301	12	Nut-HF, NI
4	117-0669-0P	2	Bracket ASM-Rear Mount [primed]	14	323-7	8	Screw-HH
5	3253-4	15	Washer-Lock	15	119-6039	2	Plug-Plastic
6	99-5132	6	Bolt	16	33114-030	6	Screw-HH
7	48-9590	10	Washer-Lock	17	33114-020	3	Screw-HH
8	63-7790	8	Screw-Cap	18	56-2140	2	Screw-HH
9	3253-7	8	Washer-Lock	19	92-0285	1	Coupling ASM
10	325-5	8	Screw-HH	20	105-0100	1	Housing-Flywheel



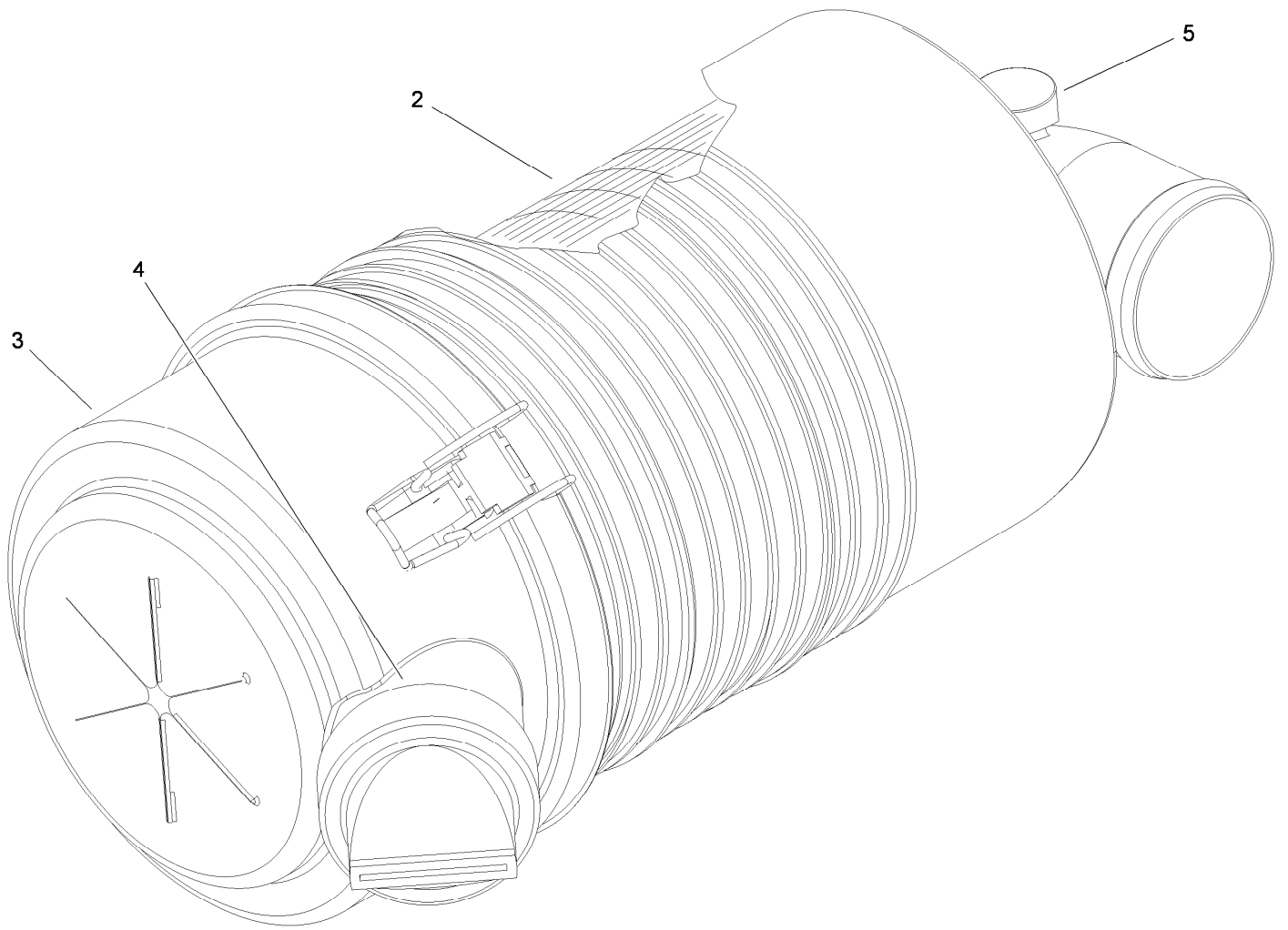
## Engine, Exhaust and Air Cleaner Assembly

Ref.	Part Number	Qty.	Description	Ref.	Part Number	Qty.	Description
1	132-5205	1	Engine-Kubota, V1505	21	139-0686	1	Rain Cap ASM
2	99-8343	1	Gasket-Muffler	22	106-5241	1	Hose-Cleaner, Air
3	3253-4	4	Washer-Lock	23	2412-130	3	Clamp-Hose
4	33114-016	4	Screw-HH	24	110-9009-0P	1	Bracket-Cable, Throttle
5	120-8536	1	Muffler	25	112-9919	1	Stop-Cable, Throttle
6	131-3333	1	Pipe-Tail	26	32105-13	1	Screw-HWH
7	2112-6	2	Clamp-Muffler	27	3296-2	1	Nut-Lock, NI
7:1	3218-2	2	Nut-Hex Jam	28	3296-20	1	Nut-Lock, NI
8	119-0503	2	Hanger-Muffler	29	63-7790	1	Screw-Cap
9	117-0744	3	Hanger-Muffler	30	81-1690	1	Clamp-Cable
10	52-2860	6	Washer	31	98-9311	1	Swivel-Throttle
11	32128-25	4	Nut-HF	32	99-5132	1	Bolt
12	32104-32	2	Screw-HWH	33	117-7950	1	Manifold-Exhaust
13	322-5	3	Screw-HH	34	136-2267	1	Hose-Air Cleaner
14	119-4036	1	Screw-HHF	35	2412-102	1	Clamp-R
15	120-8557	1	Bracket-Hanger	36	131-3319-03	1	Bracket-Mount, Air Intake
16	98-4525	1	Bracket-Cleaner, Air	37	47-3460	1	U-Bolt
17	106-5277	1	Air Cleaner ASM	38	104-8301	2	Nut-HF, NI
18	3234-17	2	Screw-HHF	39	3234-29	3	Screw-HHF
19	104-8300	5	Nut-HF, NI	40	3256-3	2	Washer-Flat
20	2412-42	1	Clamp-Hose	46	322-6	1	Screw-HH



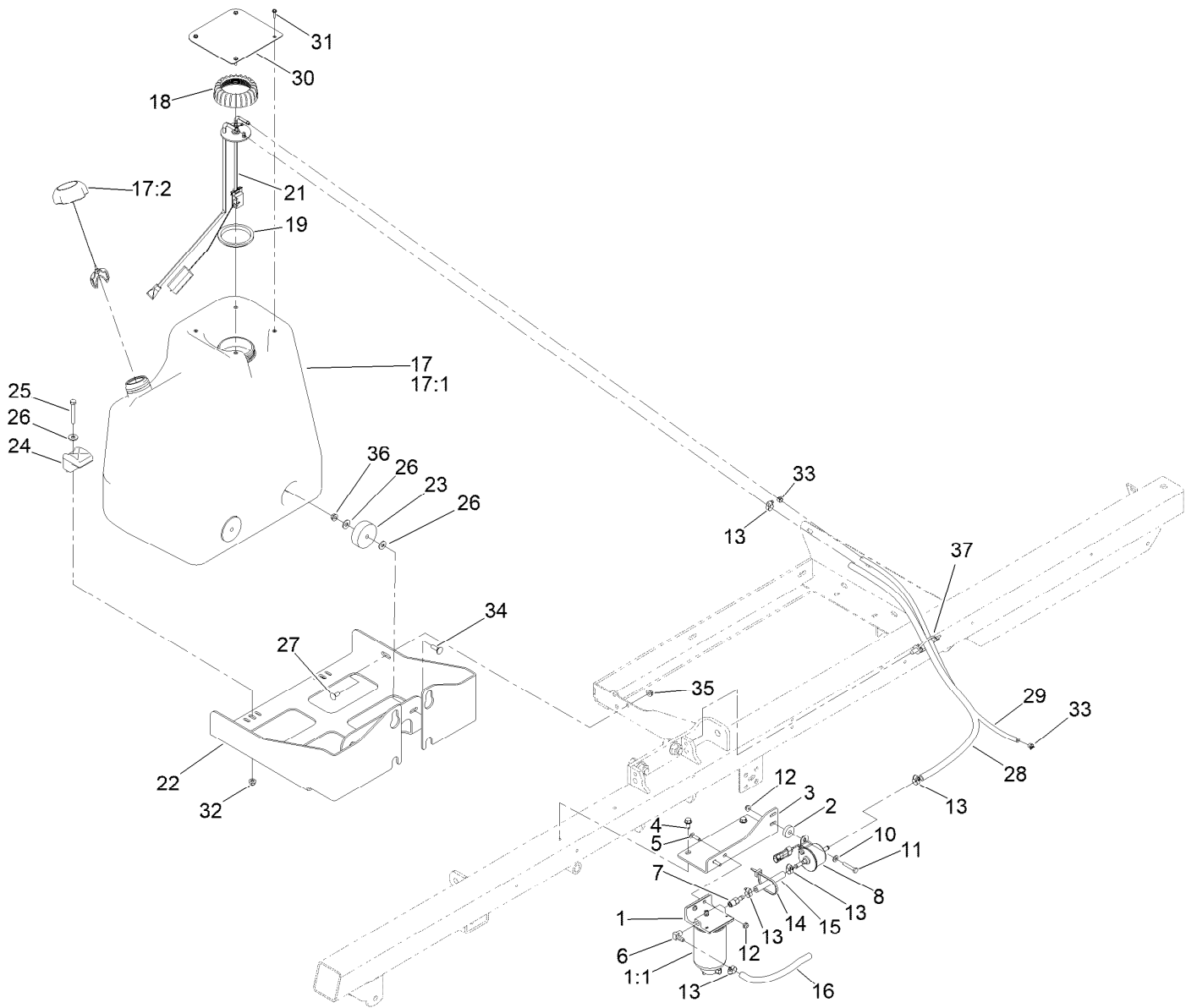
## Engine, Exhaust and Air Cleaner Assembly (continued)

<i>Ref.</i>	<i>Part Number</i>	<i>Qty.</i>	<i>Description</i>	<i>Ref.</i>	<i>Part Number</i>	<i>Qty.</i>	<i>Description</i>
47	130-7177	1	Shroud-Undercarriage	52	115-7721	2	Nut-Clip, U
50	106-5517	1	Decal-Warning	53	125-9622	3	Rivet-Blind
51	32128-20	1	Nut-HF				



## Air Cleaner Assembly No. 106-5277

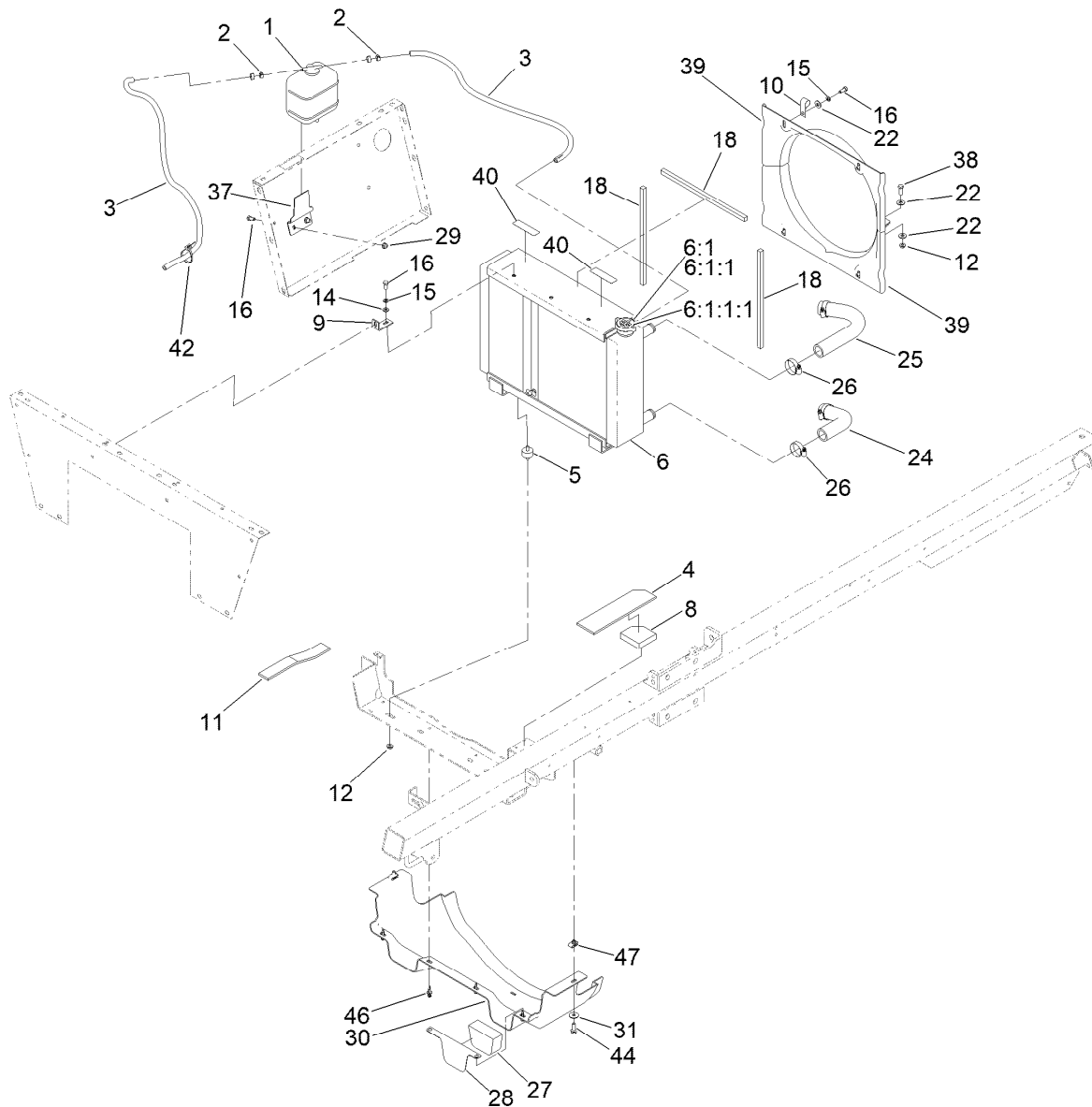
<i>Ref.</i>	<i>Part Number</i>	<i>Qty.</i>	<i>Description</i>
2	108-3810	1	Filter-Air
3	98-9771	1	Cover ASM
4	87-9400	1	Valve-Vacuator
5	285-17	1	Plug-Pipe



## Fuel Tank Assembly

Ref.	Part Number	Qty.	Description	Ref.	Part Number	Qty.	Description
1	110-9044	1	Separator-Filter	18	115-2162	1	Cap-Pump, Fuel
1:1	110-9049	1	Filter-Spin On, Fuel/Water	19	115-2163	1	Gasket-Pump, Fuel
2	117-3657	1	Spacer	21	132-7619	1	Sender-Fuel
3	144-6150-0P	1	Plate - Fuel, Diesel	22	131-9550-03	1	Bracket-Tank, Fuel Tank
4	32104-32	2	Screw-HWH	23	108-1605	2	Bumper-Recess
5	3229-2	2	Screw-CARR	24	107-4543	2	Clamp
6	353-781	1	Fitting-HYD, 90	25	322-11	2	Screw-HH
7	353-783	1	Fitting-STR	26	3256-3	6	Washer-Flat
8	145-3154	1	Pump-Fuel, Electric	27	3230-1	1	Bolt-CARR
10	3256-22	1	Washer-Flat	28	110-6186	1	Hose-Fuel
11	321-9	1	Screw-HH	29	110-3254	1	Hose-Fuel
12	104-7201	3	Nut-HF, NI	30	127-8971-03	1	Cover-Tank, Fuel
13	2412-108	5	Clamp-Worm	31	98-1375	4	Screw-HWH
14	3290-378	1	Tie-Cable	32	104-8300	2	Nut-HF, NI
15	110-0462	1	Hose-Fuel	33	2412-80	2	Clamp-Hose
16	110-4107	1	Hose-Fuel	34	3230-2	2	Bolt-CARR
17	132-7692	1	Fuel Tank ASM	35	32128-20	1	Nut-HF
17:1	132-7691	1	Tank-Fuel	36	32128-25	2	Nut-HF
17:2	117-5894	1	Fuel Cap ASM	37	32180-031	1	Clip-Tree (W/Tie)

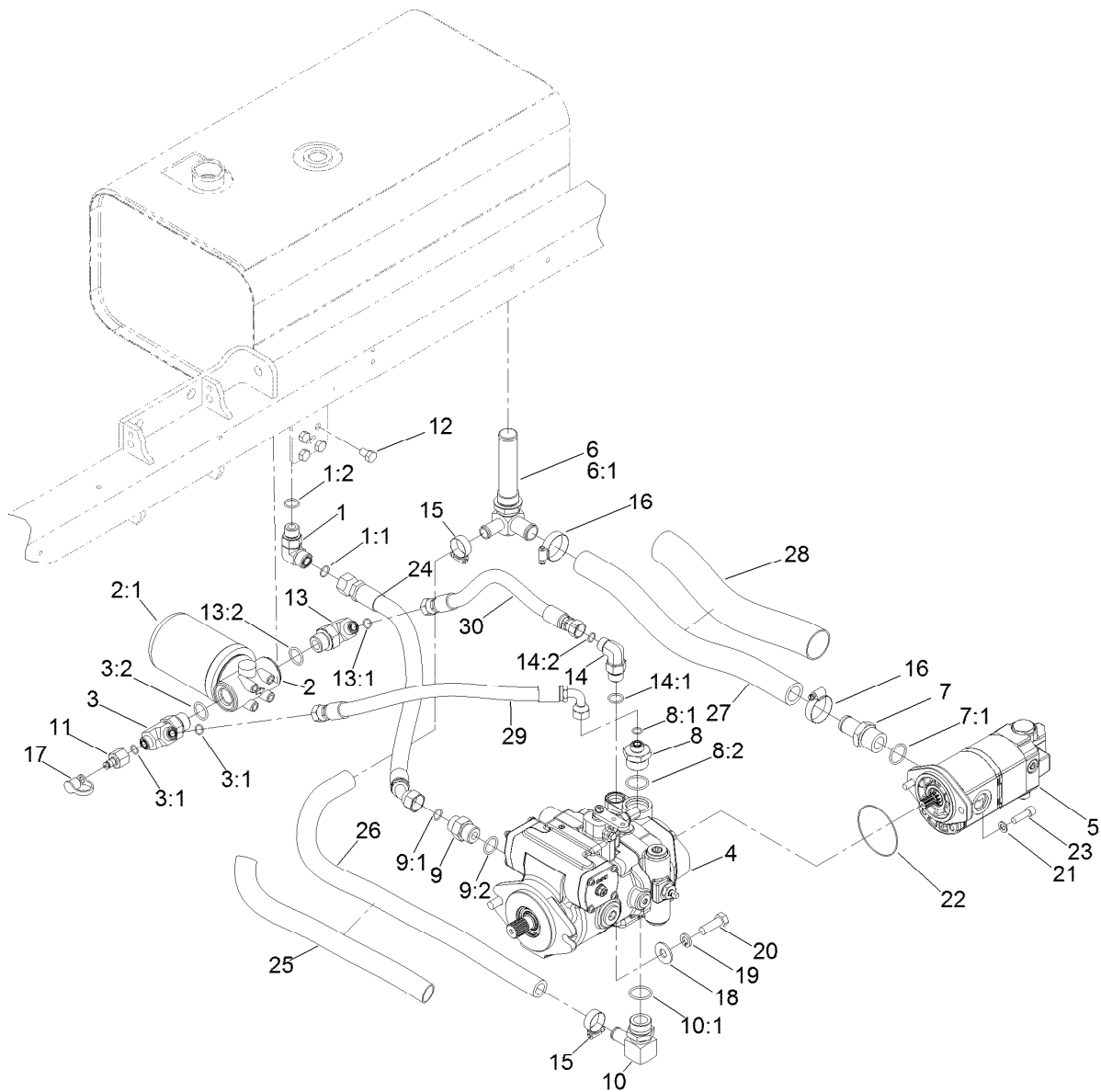




## Radiator Assembly

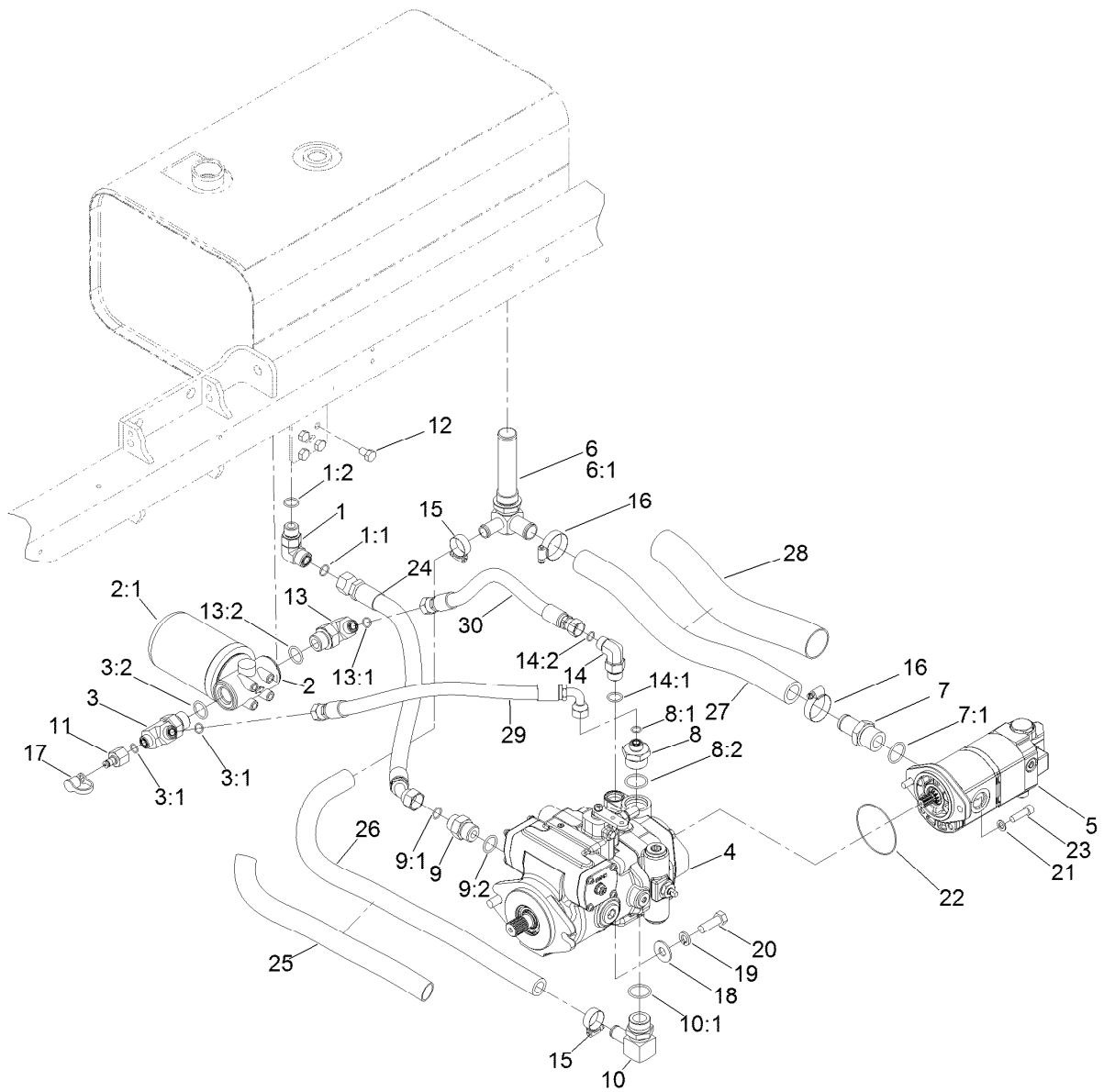
Ref.	Part Number	Qty.	Description	Ref.	Part Number	Qty.	Description
1	108-0638	1	Bottle-Overflow	16	322-3	4	Screw-HH
2	92-2379	3	Clamp-Hose	18	144-6189	3	Strip-Foam, Radiator Side
3	109-0309	2	Hose-Fuel	22	3256-56	8	Washer-Flat
4	144-6167	1	Baffle-Foam, Radiator Upper	24	119-4992	1	Hose-Radiator
5	62-5480	2	Isolater-Seat	25	106-5239	1	Hose-Radiator, Upper
6	140-7344	1	Radiator/Oil Cooler ASM	26	2412-111	4	Clamp-Hose, W/Liner
6:1	119-1430	1	Radiator Cap ASM	27	144-6165	1	Baffle-Foam, Heat Shield
6:1:1		1	Cap-Radiator ●	28	144-6164-0P	1	Plate-Baffle
6:1:1:1	117-3276	1	Decal-Danger	29	104-8300	2	Nut-HF, NI
8	144-6166	1	Baffle-Foam, Radiator Lower	30	119-9393	1	Shield-Front Heat, Engine
9	140-7352	2	Bracket-Radiator	31	3256-82	2	Washer-Flat
10	2412-150	1	Clip-J	37	130-7102-0P	1	Bracket-Reservoir
11	144-6169	1	Baffle-Foam, Radiator Upper LH	38	322-5	2	Screw-HH
12	32128-20	4	Nut-HF	39	106-5290	2	Shroud-Fan
14	3256-23	2	Washer-Plain	40	120-0627	2	Decal-Warning
15	3253-4	6	Washer-Lock	42	3290-378	1	Tie-Cable
				46	125-9622	4	Rivet-Blind
				47	115-7721	2	Nut-Clip, U

● Not serviced separately



## Hydraulic Pump and Filter Assembly

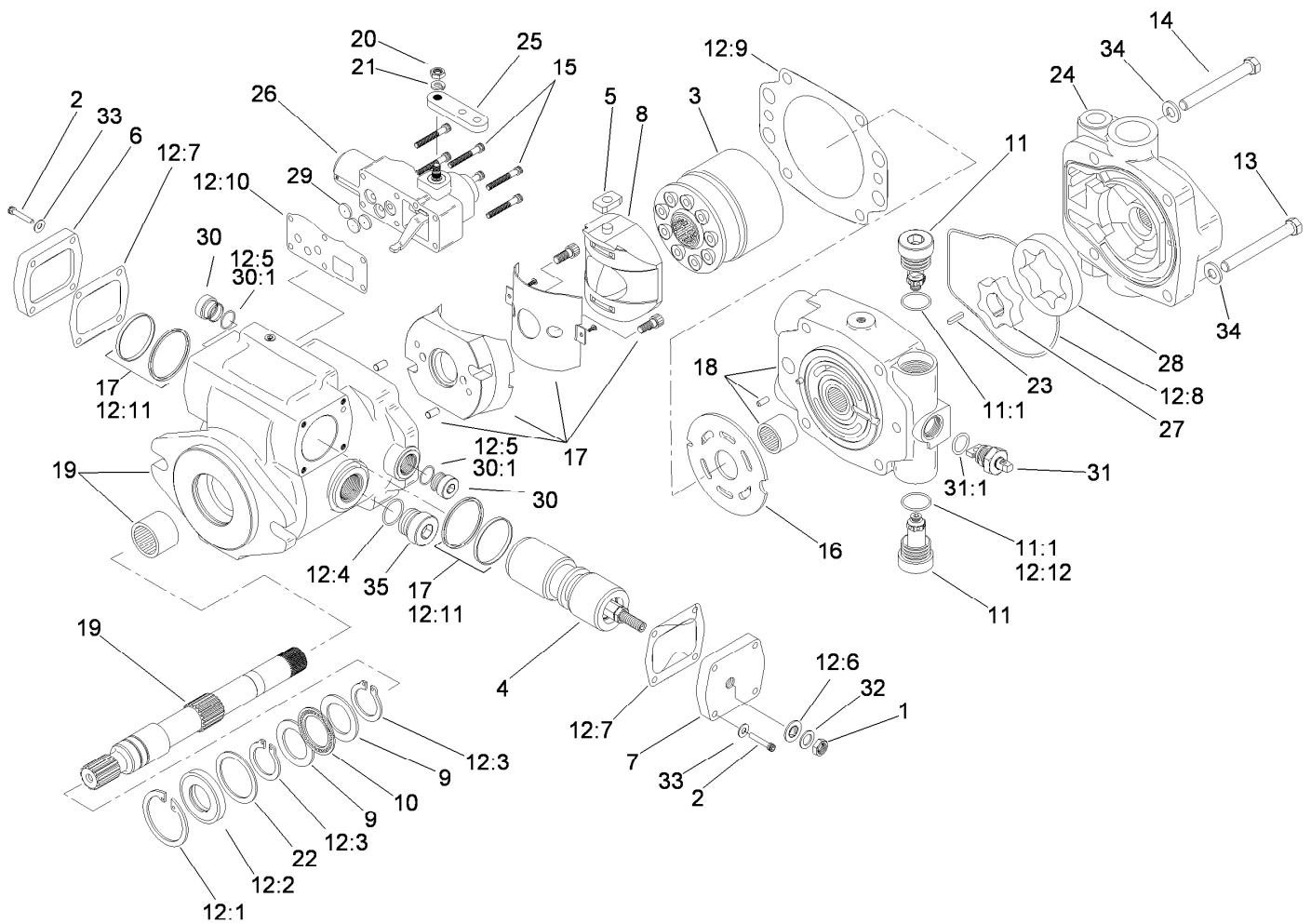
Ref.	Part Number	Qty.	Description	Ref.	Part Number	Qty.	Description
1	340-17	1	Fitting-Elbow, 90 DEG	10:1	237-117	1	O-Ring
1:1	237-65	1	O-Ring	11	100-5616	1	Fitting
1:2	237-80	1	O-Ring	12	33115-016	4	Screw-HH
2	93-2242	1	Oil Filter ASM	13	340-131	1	Fitting-HYD, 90 DEG
2:1	75-1310	1	Filter-HYD	13:1	237-30	1	O-Ring
3	117-0676	1	Fitting-Tee	13:2	237-81	1	O-Ring
3:1	237-30	2	O-Ring	14	340-105	1	Fitting-Elbow, 90 DEG
3:2	237-81	1	O-Ring	14:1	237-80	1	O-Ring
4	117-0685	1	Piston Pump ASM	14:2	237-30	1	O-Ring
5	138-6193	1	Pump-Tandem	15	2412-129	2	Clamp-Hose
6	117-0684	1	Strainer-Tee	16	2412-111	2	Clamp-Hose, W/Liner
6:1	237-146	1	O-Ring	17	354-79	1	Cap-Dust
7	354-78	1	Fitting-STR	18	3256-6	2	Washer-Flat
7:1	237-146	1	O-Ring	19	3253-7	2	Washer-Lock
8	104-9178	1	Fitting-STR	20	325-6	2	Screw-HH
8:1	237-30	1	O-Ring	21	60-3540	2	Washer
8:2	237-146	1	O-Ring	22	60-3520	1	O-Ring
9	340-8	1	Fitting-Straight	23	3274-1	2	Screw-HSH
9:1	237-65	1	O-Ring	24	112-2561	1	Hose-HYD
9:2	237-81	1	O-Ring	25	94-3688	1	Sleeve-Protective
10	98-0971	1	Fitting-Elbow, 90	26	119-5045	1	Hose-Suction



## Hydraulic Pump and Filter Assembly (continued)

Ref.	Part Number	Qty.	Description
27	117-0681	1	Hose ASM
28	107-3589	1	Sleeve-Hose

Ref.	Part Number	Qty.	Description
29	117-0686	1	Hose-HYD
30	117-0729	1	Hose ASM

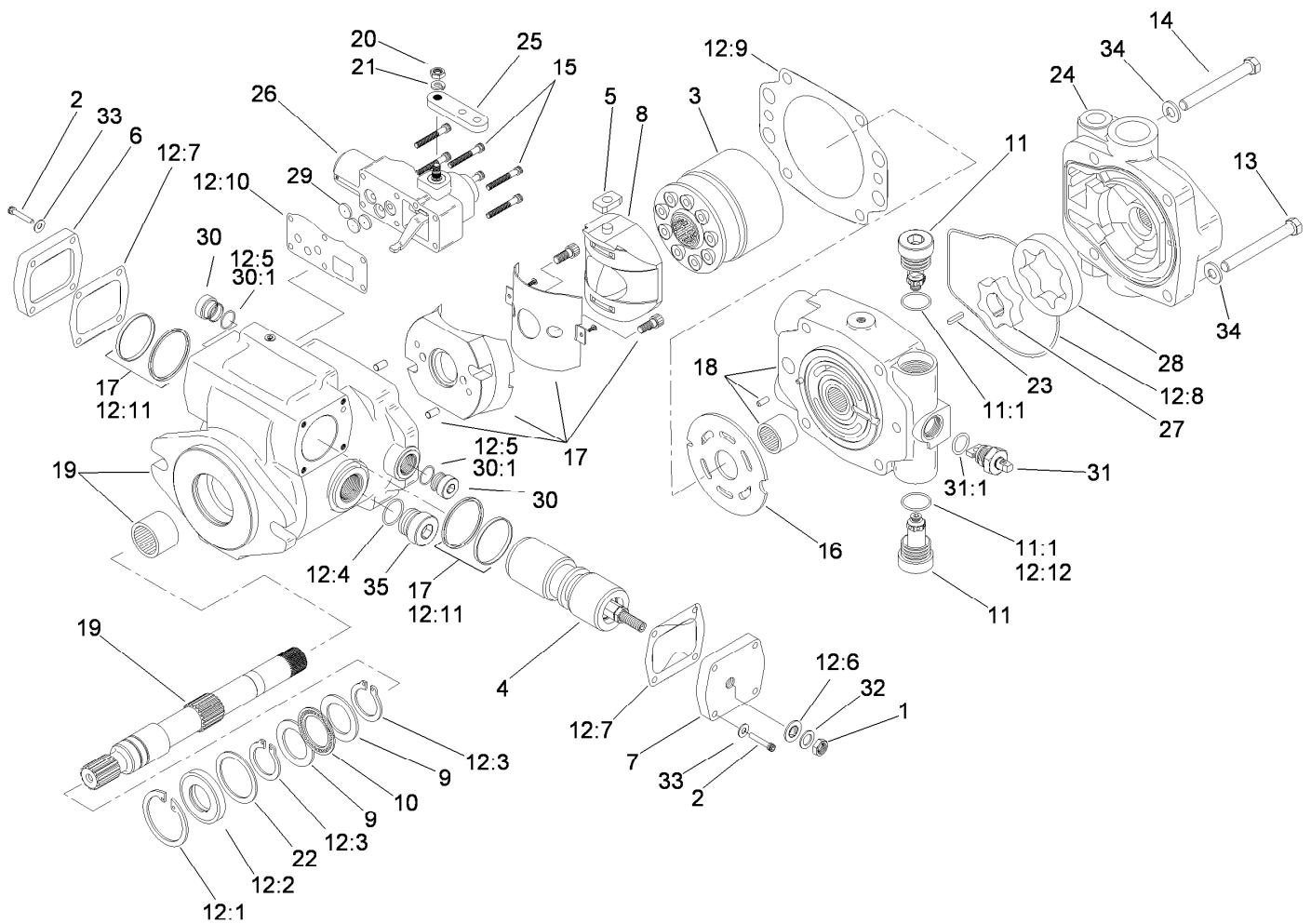


## Piston Pump Assembly No. 117-0685

Ref.	Part Number	Qty.	Description	Ref.	Part Number	Qty.	Description
1	3220-3	1	Nut-HJ	12:6	94-3027	1	Washer-Seal
2	93-6337	8	Screw	12:7	93-6339	2	Gasket
3	99-8701	1	Rotating Kit	12:8	105-2905	1	O-Ring ●
4	105-2856	1	Piston-Servo	12:9	105-2900	1	Gasket-Housing
5	94-3032	1	Follower-Piston	12:10	105-2901	1	Gasket-Housing, Control
6	94-3033	1	Plate-Cover	12:11		2	Seal ASM ■
7	105-9853	1	Plate-Cover	12:12	74-9380	1	O-Ring ●
8	94-3026	1	Camplate ASM	13	323-15	2	Screw-HH
9	76-6950	2	Race-Thrust	14	323-16	2	Screw-HH
10	76-6960	1	Bearing-Thrust	15	93-6324	6	Screw
11	105-2858	2	Valve-Relief	16	99-8704	1	Plate-Valve
11:1		1	O-Ring ■	17		1	Housing ■
12	107-1561	1	Seal Kit ●	18	105-2904	1	Backplate
12:1	60-6260	1	Ring	19	93-6344	1	Driveshaft
12:2	105-3331	1	Seal-Shaft	20	3217-5	1	Nut-Hex
12:3	76-7000	2	Ring-Retaining	21	3253-3	1	Washer-Lock
12:4		2	O-Ring ■	22	60-6240	1	Washer
12:5	93-6314	2	O-Ring ●	23	93-6375	1	Key

● Not illustrated

■ Not serviced separately

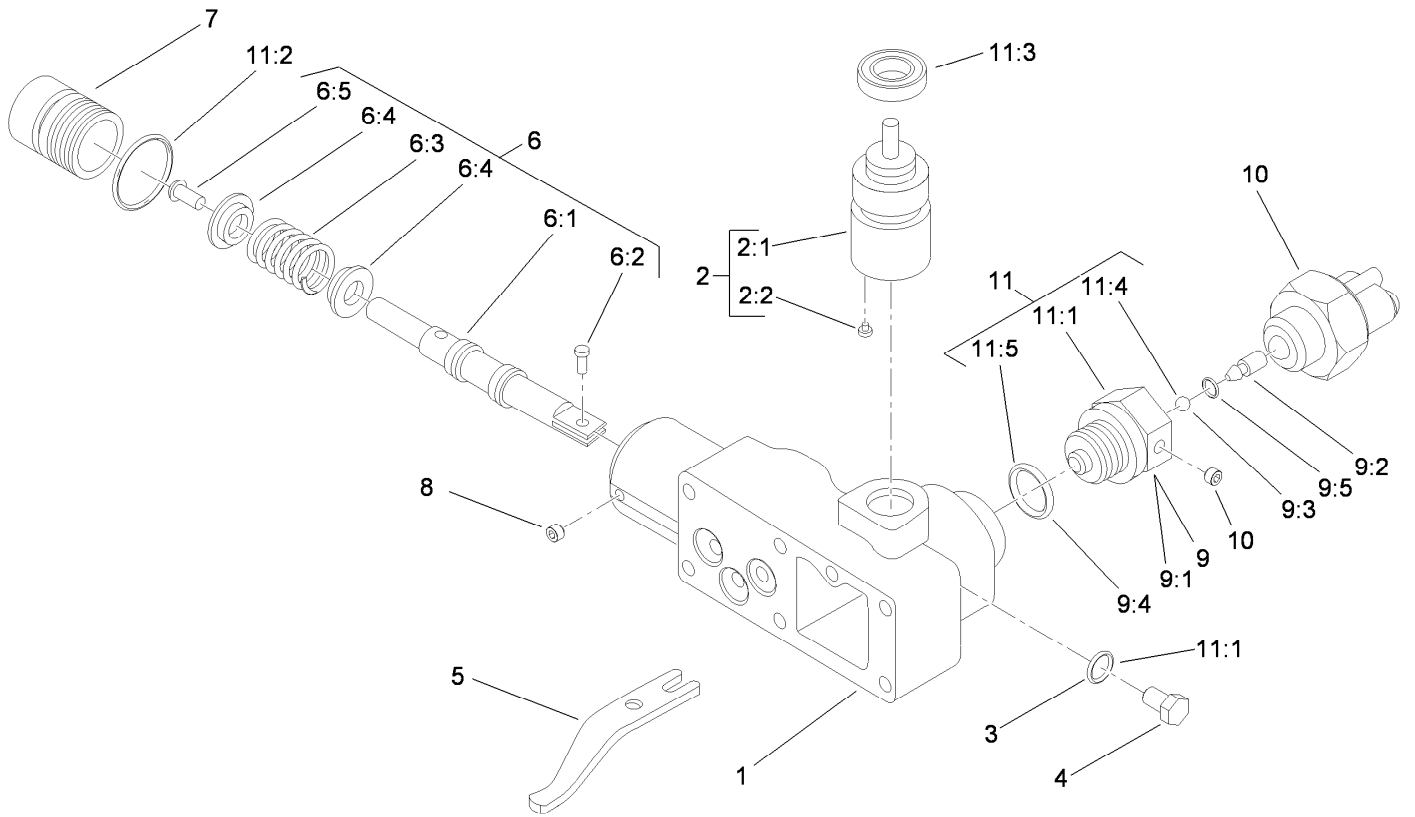


## Piston Pump Assembly No. 117-0685 (continued)

Ref.	Part Number	Qty.	Description	Ref.	Part Number	Qty.	Description
24	95-2110	1	Adaptor	30:1		1	O-Ring ■
25	105-2862	1	Arm-Control	31	105-2913	1	Valve-Bypass
26	115-4446	1	Control-Servo, Manual	31:1		1	O-Ring ■
27	93-6365	1	Geroter-Inner	32	94-3030	1	Washer
28	93-6364	1	Geroter-Outer	33	93-6336	8	Washer
29	94-3041	3	Orifice-Control (.028 DIA)	34	3256-24	4	Washer-Flat
30	74-9280	2	Plug ASM	35		1	Plug ASM ■

● Not illustrated

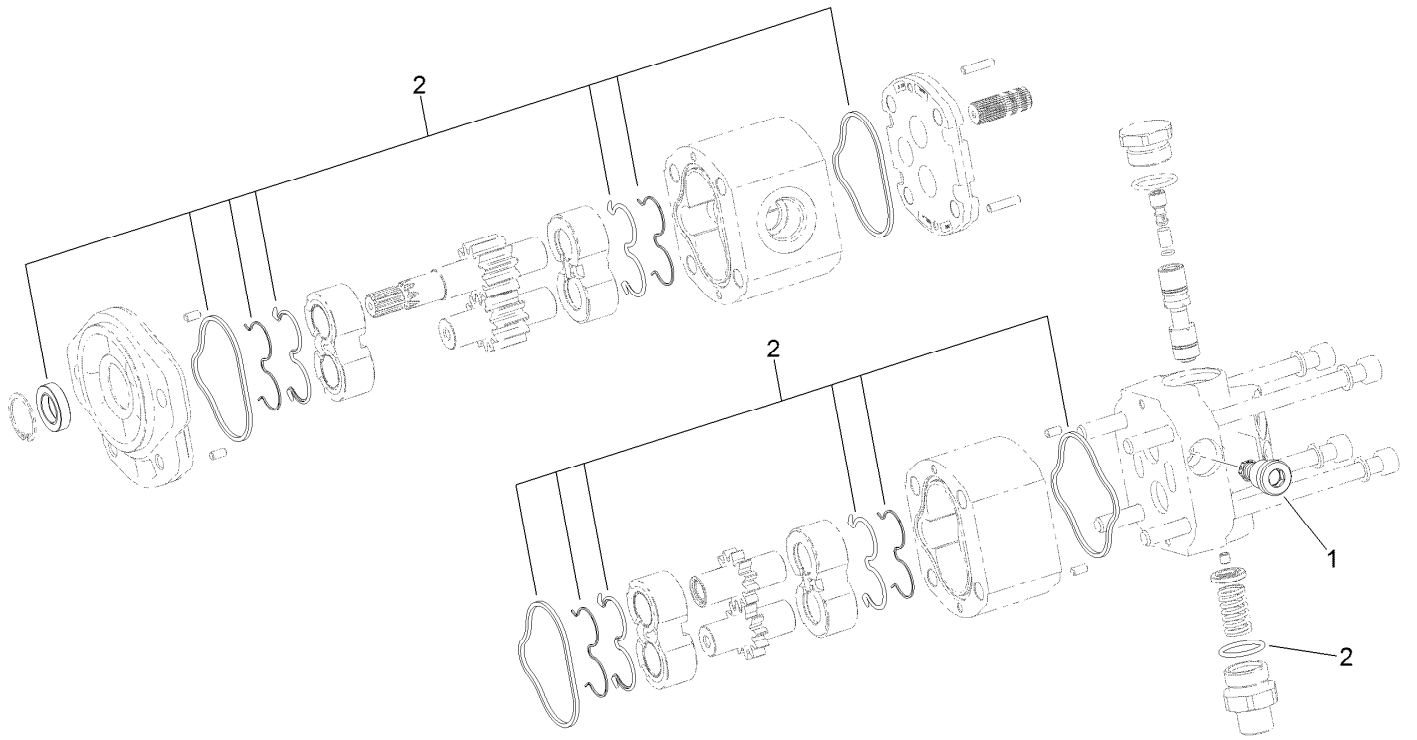
■ Not serviced separately



## Control Assembly No. 115-4446

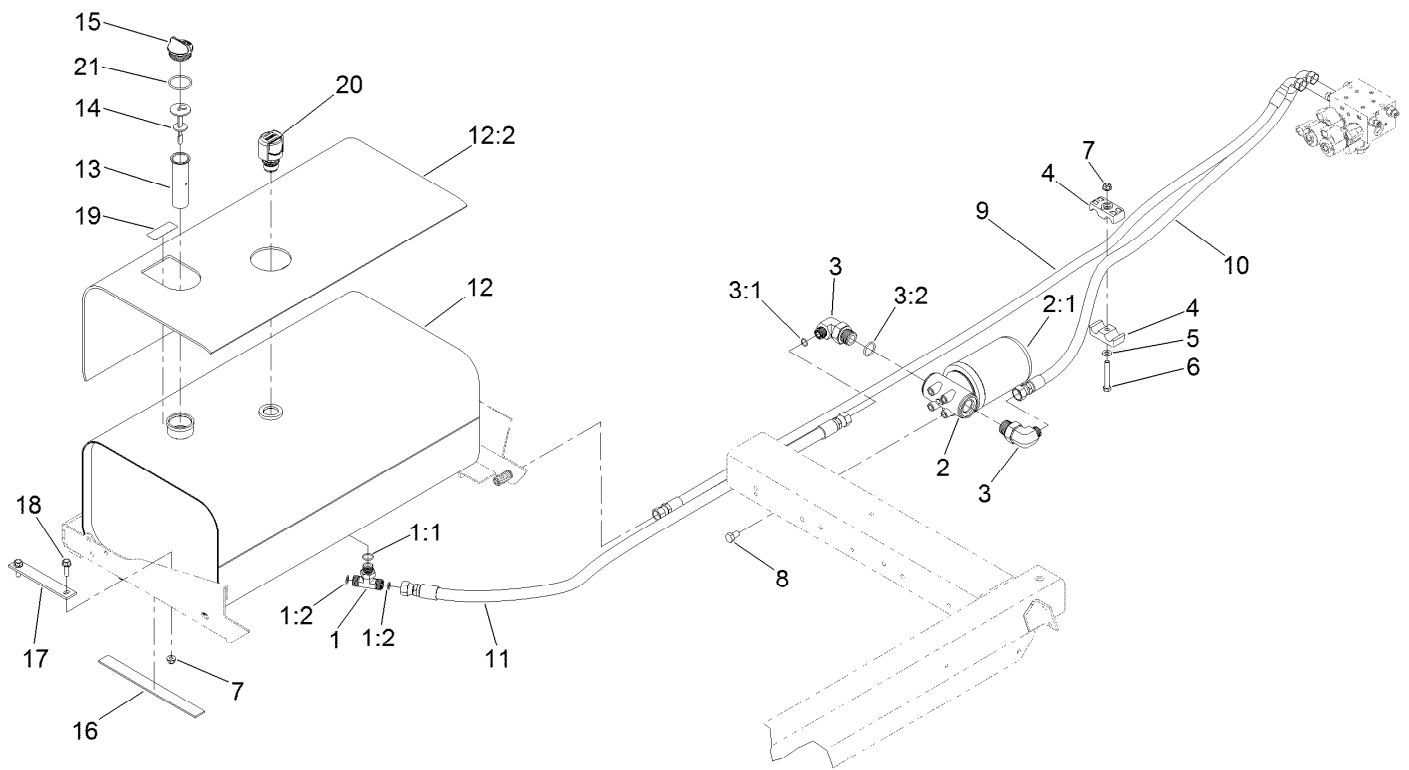
Ref.	Part Number	Qty.	Description	Ref.	Part Number	Qty.	Description
1		1	Housing-Control ●	8		2	Screw-Set ●
2	108-7099	1	Input Control Shaft ASM	9	108-8003	1	Adaptor ASM
2:1		1	Shaft ●	9:1		1	Adaptor-Lockout, Neutral ●
2:2		1	Pin ●	9:2		1	Pin ●
3		1	O-Ring ●	9:3		1	Ball ●
4		1	Plug ●	9:4		1	O-Ring ●
5		1	Link-Feedback ●	9:5		1	O-Ring ●
6	108-7098	1	Valve Spool ASM	10	115-3795	1	Switch-Neutral
6:1		1	Valve-Spool ●	11	94-3044	1	Seal Kit
6:2		1	Pin-Dowel ●	11:1	117-8979	1	Seal-Shaft
6:3		1	Spring ●	11:2	105-2901	1	Gasket-Housing, Control
6:4		2	Retainer ●	11:3		1	O-Ring ●
6:5		1	Screw ●	11:4		1	O-Ring ●
7		1	Plug ●	11:5		1	Seal-Wiper ●

● Not serviced separately



## Tandem Pump Assembly No. 138-6193

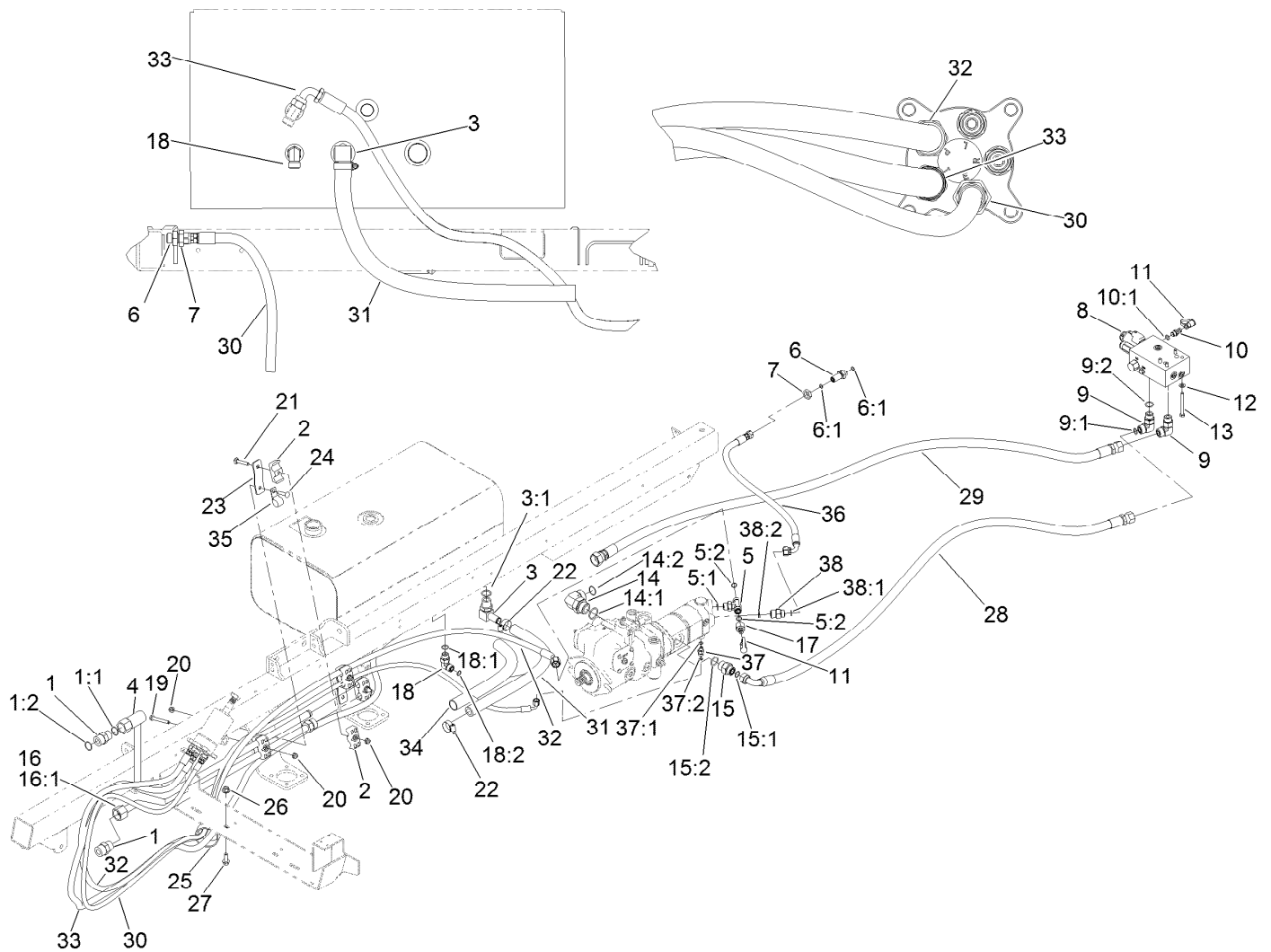
<i>Ref.</i>	<i>Part Number</i>	<i>Qty.</i>	<i>Description</i>
1	138-6257	1	Valve-Relief
2	138-6258	1	Seal Kit



## Hydraulic Tank Assembly

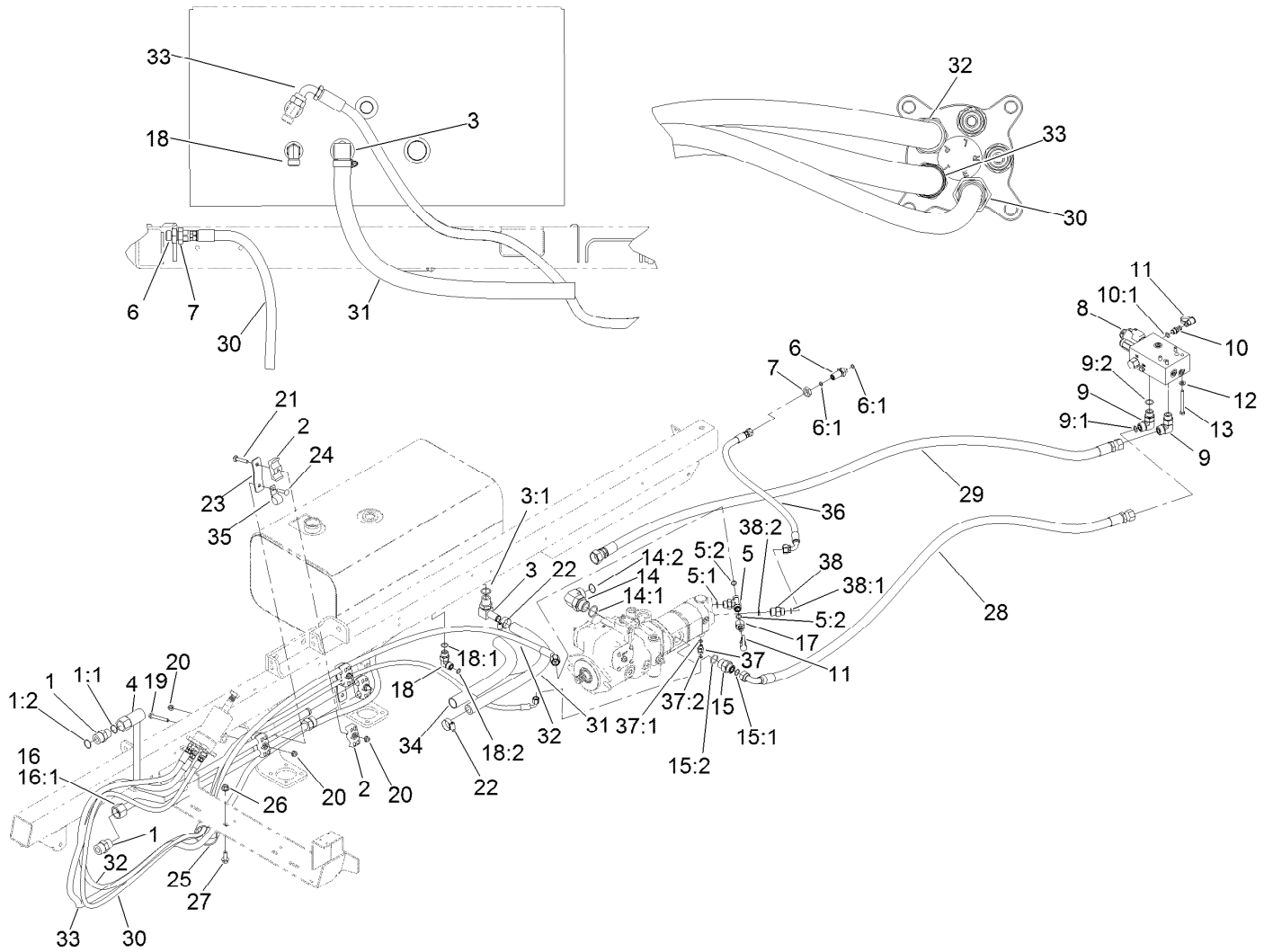
<i>Ref.</i>	<i>Part Number</i>	<i>Qty.</i>	<i>Description</i>	<i>Ref.</i>	<i>Part Number</i>	<i>Qty.</i>	<i>Description</i>
1	340-157	1	Fitting-HYD, Tee	10	119-0587	1	HYD Hose ASM
1:1	237-79	1	O-Ring	11	106-3672	1	HYD Hose ASM
1:2	237-30	2	O-Ring	12	131-5799	1	Hydraulic Tank ASM
2	93-2242	1	Oil Filter ASM	12:2	131-5787	1	Cover-Tank, Hydraulic
2:1	75-1310	1	Filter-HYD	13	92-1705	1	Filter-Screen
3	340-131	2	Fitting-HYD, 90 DEG	14	105-2812	1	Dipstick
3:1	237-30	1	O-Ring	15	93-7498	1	Plug-Plastic
3:2	237-81	1	O-Ring	16	41995	2	Strip-Armflex
4	94-8105	2	Clamp-Tube	17	94-7068	2	Strap
5	3256-23	1	Washer-Plain	18	3234-17	4	Screw-HHF
6	322-11	1	Screw-HH	19	93-6686	1	Decal-Oil, HYD
7	104-8300	5	Nut-HF, NI	20	115-9793	1	Breather
8	33115-016	4	Screw-HH	21	237-101	1	O-Ring
9	119-0588	1	HYD Hose ASM				





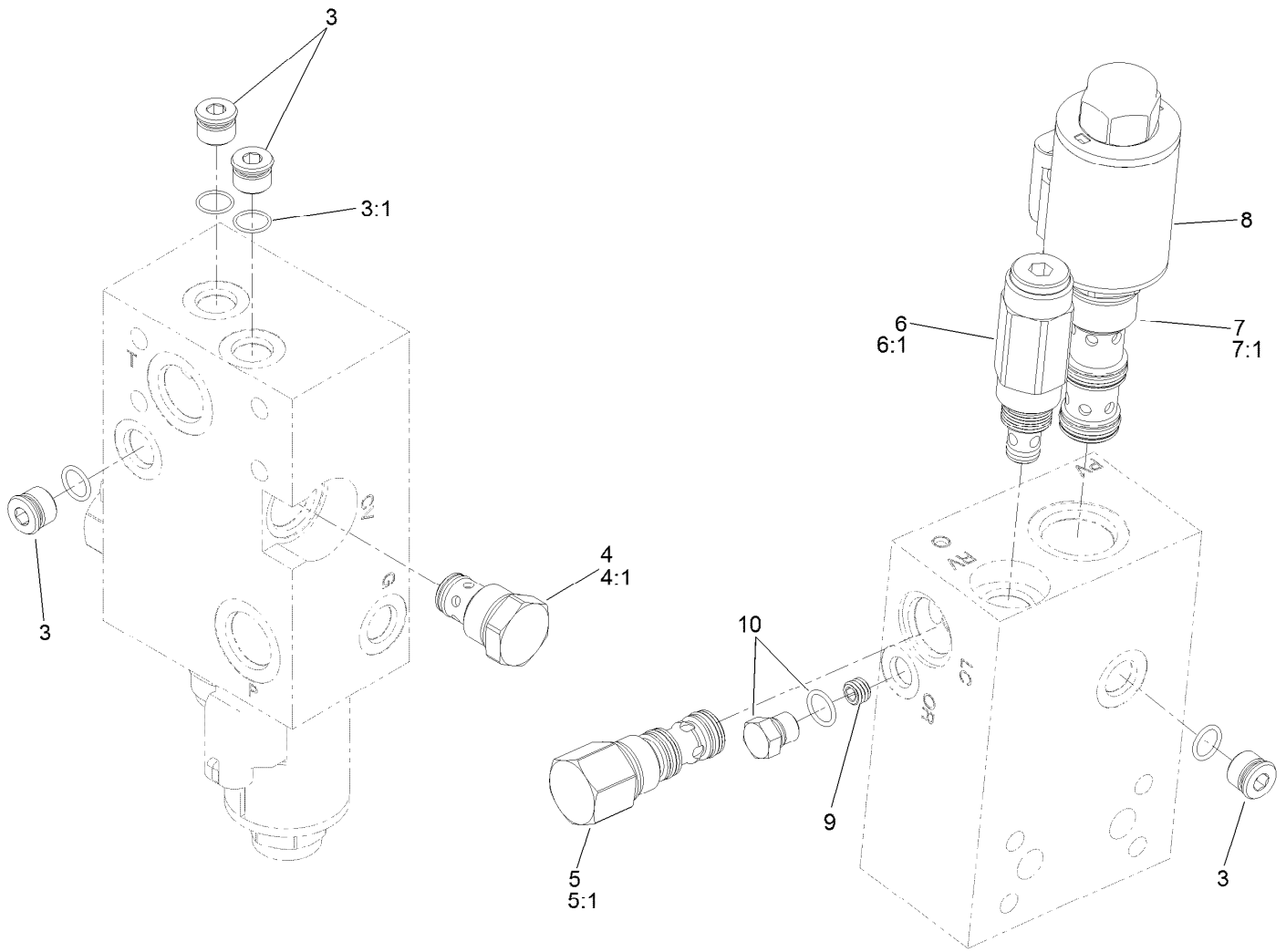
## Hydraulic Tube and Hose Assembly

Ref.	Part Number	Qty.	Description	Ref.	Part Number	Qty.	Description
1	340-9	2	Fitting-STR	13	322-14	4	Screw-HH
1:1	237-58	1	O-Ring	14	340-129	2	Fitting-Elbow, 90 DEG
1:2	237-81	1	O-Ring	14:1	237-146	1	O-Ring
2	94-8105	8	Clamp-Tube	14:2	340-65	1	O-Ring
3	353-987	1	Fitting-Elbow, 90	15	340-8	1	Fitting-Straight
3:1	237-81	1	O-Ring	15:1	237-65	1	O-Ring
4	140-7356	1	HYD Tube ASM	15:2	237-81	1	O-Ring
5	340-157	1	Fitting-HYD, Tee	16	140-7345	1	HYD Tube, ASM
5:1	237-79	1	O-Ring	16:1	237-58	1	O-Ring
5:2	237-30	2	O-Ring	17	100-5616	1	Fitting
6	340-71	1	Fitting-Straight, Bulkhead	18	340-98	1	Fitting-Elbow, 90 DEG
6:1	237-22	2	O-Ring	18:1	237-79	1	O-Ring
7	340-70	1	Nut-Lock	18:2	237-30	1	O-Ring
8	117-0708	1	Pump Control Valve ASM	19	322-13	2	Screw-HH
9	340-17	2	Fitting-Elbow, 90 DEG	20	104-8300	5	Nut-HF, NI
9:1	237-65	1	O-Ring	21	3230-6	2	Bolt-CARR
9:2	237-80	1	O-Ring	22	2412-129	2	Clamp-Hose
10	59-7410	1	Fitting-Diagnostic	23	117-0689	2	Plate-Mount, Tube Clamps
10:1	237-42	1	O-Ring	24	33-5790	1	Bolt-CARR
11	354-79	2	Cap-Dust	25	2412-102	1	Clamp-R
12	3256-23	4	Washer-Plain	26	32128-43	1	Nut-Flange



## Hydraulic Tube and Hose Assembly (continued)

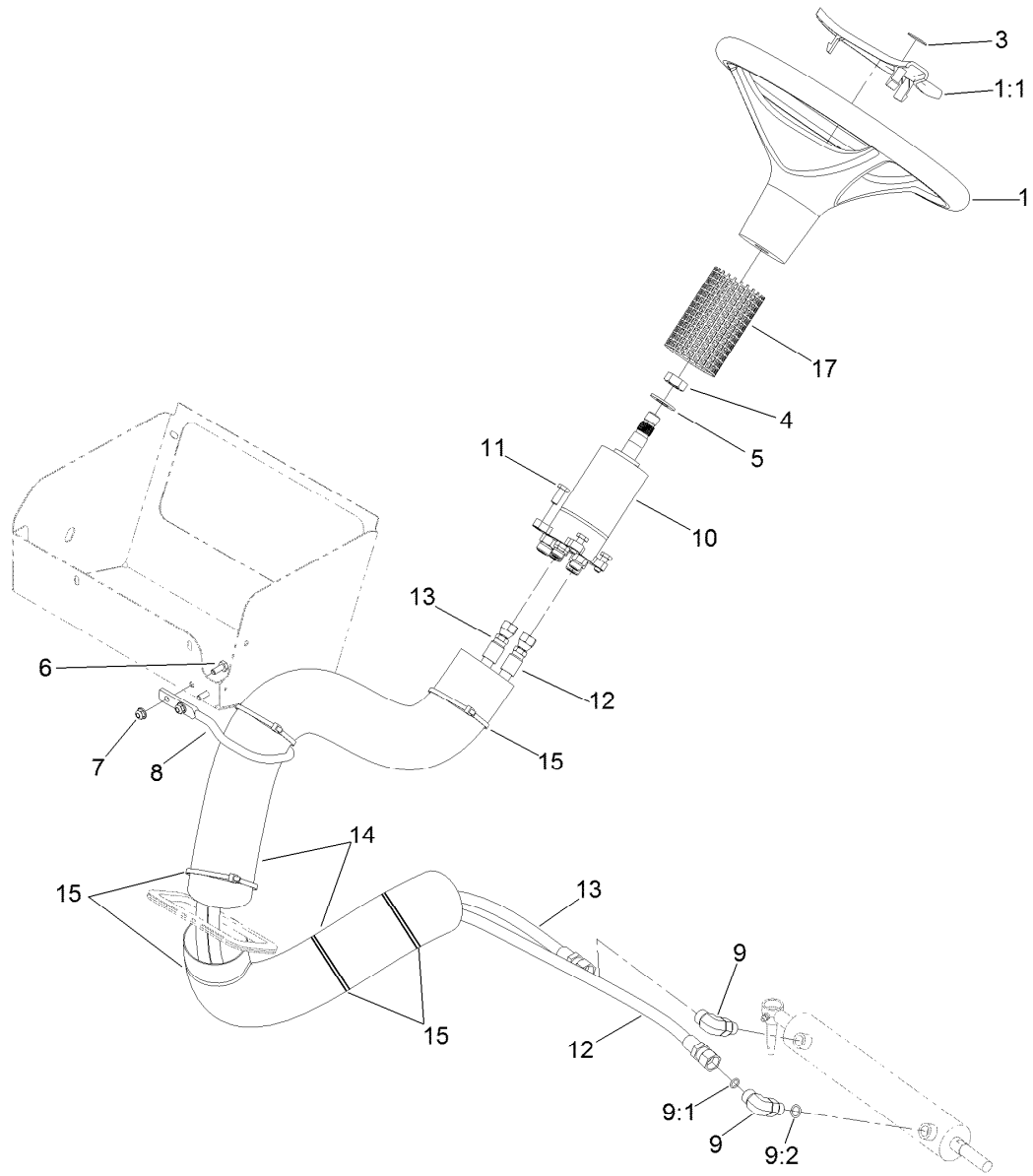
Ref.	Part Number	Qty.	Description	Ref.	Part Number	Qty.	Description
27	3234-11	1	Screw-HHF	35	94-9580	1	Clamp-J
28	117-0680	1	Hose ASM	36	138-6196	1	Hose ASM
29	117-0682	1	Hose ASM	37	340-92	1	Fitting-Straight
30	138-6265	1	Hose ASM	37:1	237-78	1	O-Ring
31	119-5045	1	Hose-Suction	37:2	237-21	1	O-Ring
32	138-6266	1	Hose-ASM	38	340-6	1	Fitting-Straight
33	125-5853	1	HYD-Hose	38:1	237-30	1	O-Ring
34	94-3688	1	Sleeve-Protective	38:2	237-80	1	O-Ring



## Pump Control Valve Assembly No. 117-0708

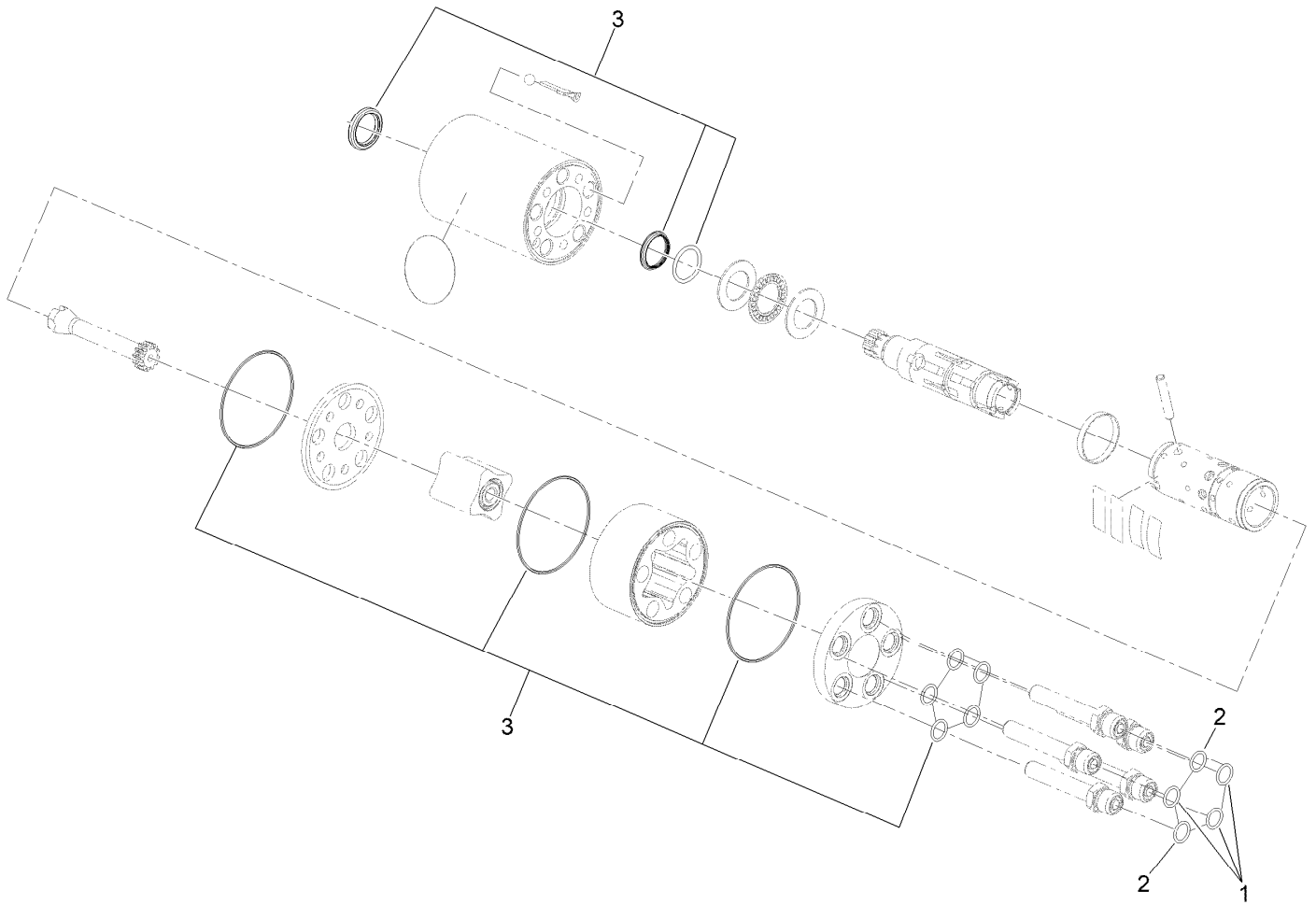
Ref.	Part Number	Qty.	Description
3	353-512	4	Plug
3:1	237-78	1	O-Ring
4	110-8881	1	Valve-Check
4:1	105-9159	1	Seal Kit ●
5	120-1660	1	Compensator-Pressure
5:1	107-7813	1	Seal Kit ●
6	117-8312	1	Valve-Relief
6:1	105-9156	1	Seal Kit
7	120-2590	1	Valve-Flow Control
7:1	114-5515	1	Seal Kit
8	120-2589	1	Coil-12Vdc
9	107-1987	1	Orifice-0.040
10	117-0115	1	Plug

● Not illustrated



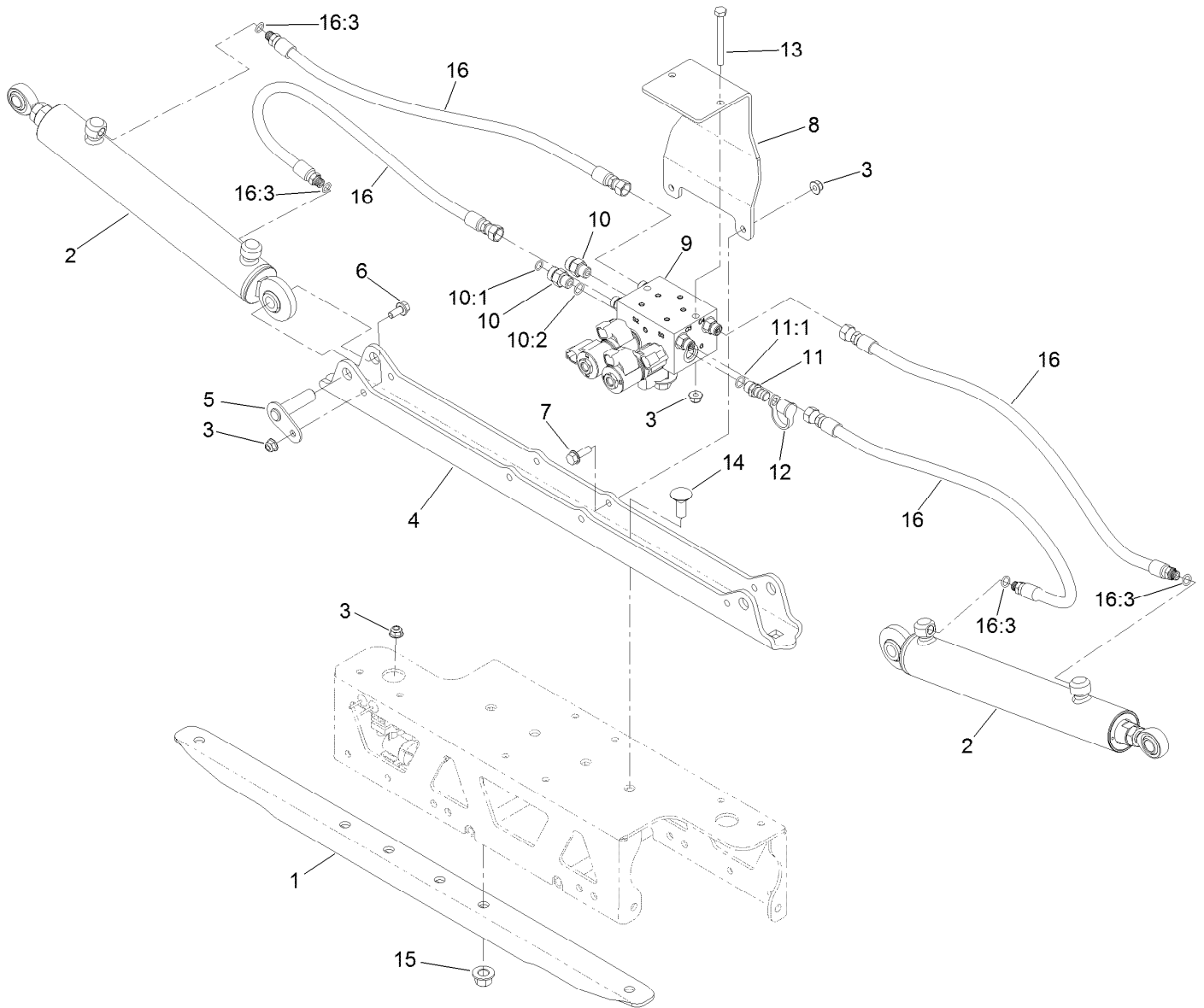
## Steering Hydraulic Assembly

<i>Ref.</i>	<i>Part Number</i>	<i>Qty.</i>	<i>Description</i>	<i>Ref.</i>	<i>Part Number</i>	<i>Qty.</i>	<i>Description</i>
1	98-1471	1	Wheel-Steering	9:1	237-22	1	O-Ring
1:1	98-1468	1	Cover-Wheel, Steering	9:2	237-42	1	O-Ring
3	98-1459	1	Decal	10	137-7509	1	Valve-Steering
4	3296-33	1	Nut-Lock, NI	11	33114-020	4	Screw-HH
5	3256-27	1	Washer-Flat	12	117-0717	1	Hose ASM
6	321-3	2	Screw-HH	13	117-0688	1	Hose ASM
7	104-7201	2	Nut-HF, NI	14	106-6713	2	Cover-Lines, Steering
8	119-4853	1	Guide-Hose	15	3290-379	7	Tie-Cable
9	340-77	2	Fitting-Elbow, 90 DEG	17	130-8296	1	Sleeve-Steering Cover



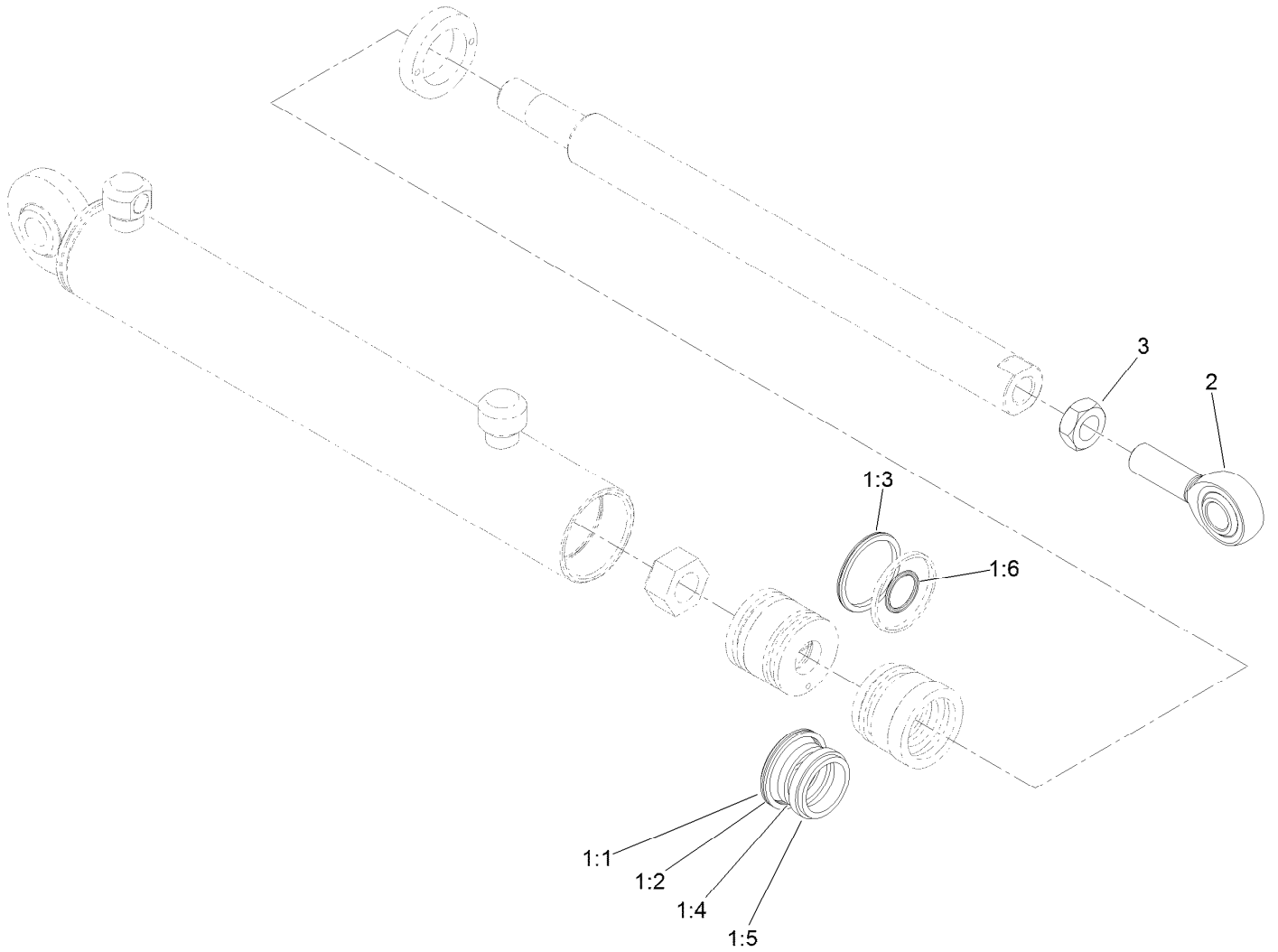
## Steering Valve Assembly No. 137-7509

<i>Ref.</i>	<i>Part Number</i>	<i>Qty.</i>	<i>Description</i>
1	237-21	3	O-Ring
2	237-22	2	O-Ring
3	106-6716	1	Seal Kit



## Boom Lift Assembly

<i>Ref.</i>	<i>Part Number</i>	<i>Qty.</i>	<i>Description</i>	<i>Ref.</i>	<i>Part Number</i>	<i>Qty.</i>	<i>Description</i>
1	131-0285-03	1	Stiffener-Channel	10:1	237-22	1	O-Ring
2	117-0701	2	Hydraulic Cylinder ASM	10:2	237-42	1	O-Ring
3	104-8300	7	Nut-HF, NI	11	59-7410	1	Fitting-Diagnostic
4	131-0275-03	1	Plate-Mount	11:1	237-42	1	O-Ring
5	112-7884	2	Pin-Pivot	12	354-79	1	Cap-Dust
6	110-5053	2	Screw-HHF	13	322-14	2	Screw-HH
7	3234-29	2	Screw-HHF	14	110-5067	4	Screw-CARR
8	130-8201-03	1	Mount-Valve	15	99-5107	4	Nut-Lock
9	136-2400	1	On-Off Boom Lift Valve ASM	16	131-0276	4	Hose ASM
10	340-2	2	Fitting-Straight	16:3	237-78	1	O-Ring

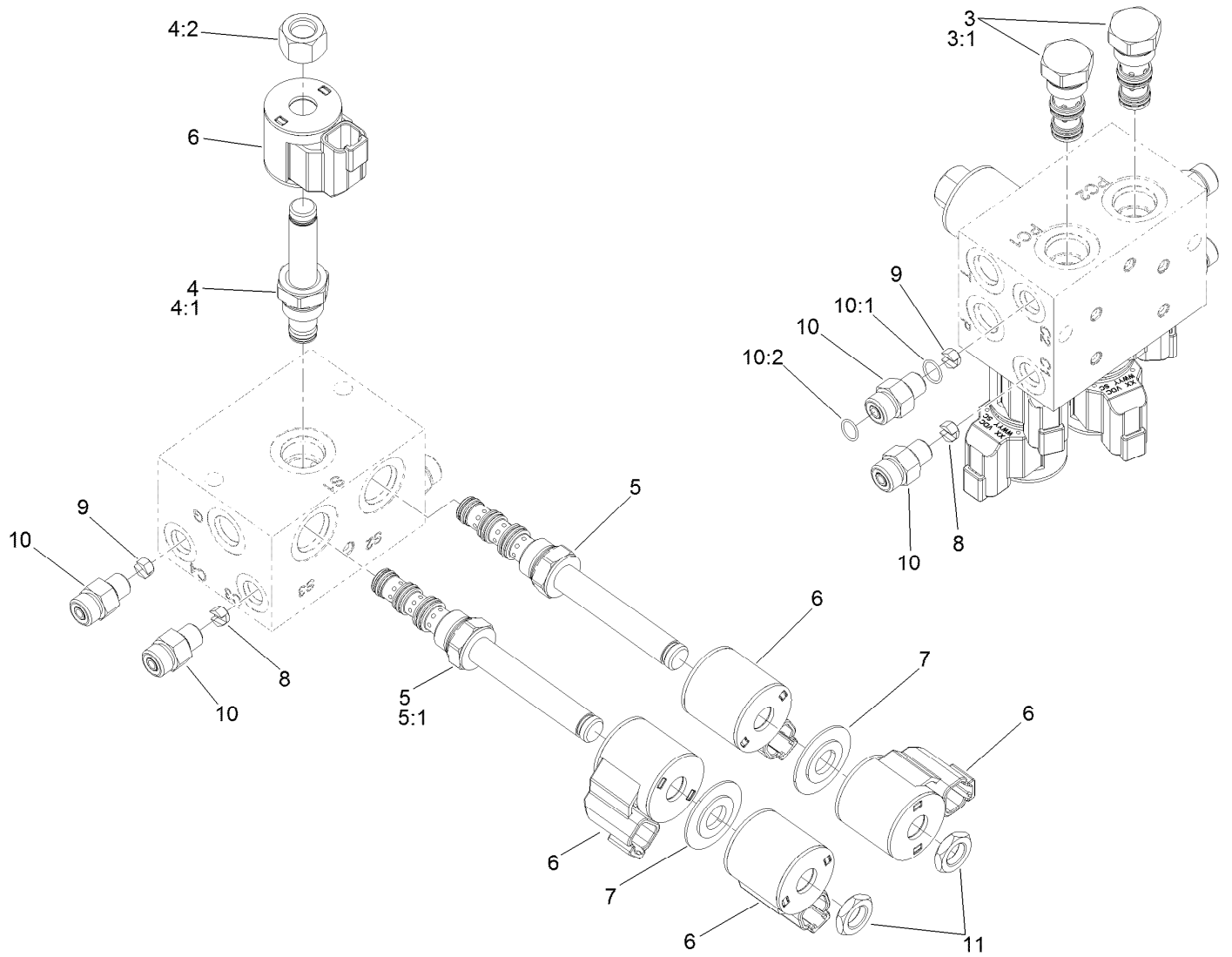


## Hydraulic Cylinder Assembly No. 117-0701

Ref.	Part Number	Qty.	Description
1	119-8026	1	Seal Kit ●
1:1		1	O-Ring ■
1:2		1	Ring-Backup ■
1:3		1	Bp Seal ■
1:4		1	Bs Seal ■
1:5		1	Dust Seal ■
1:6		1	O-Ring ■
2	119-8027	1	Rod End
3	3220-6	1	Nut-Jam

● Not illustrated

■ Not serviced separately

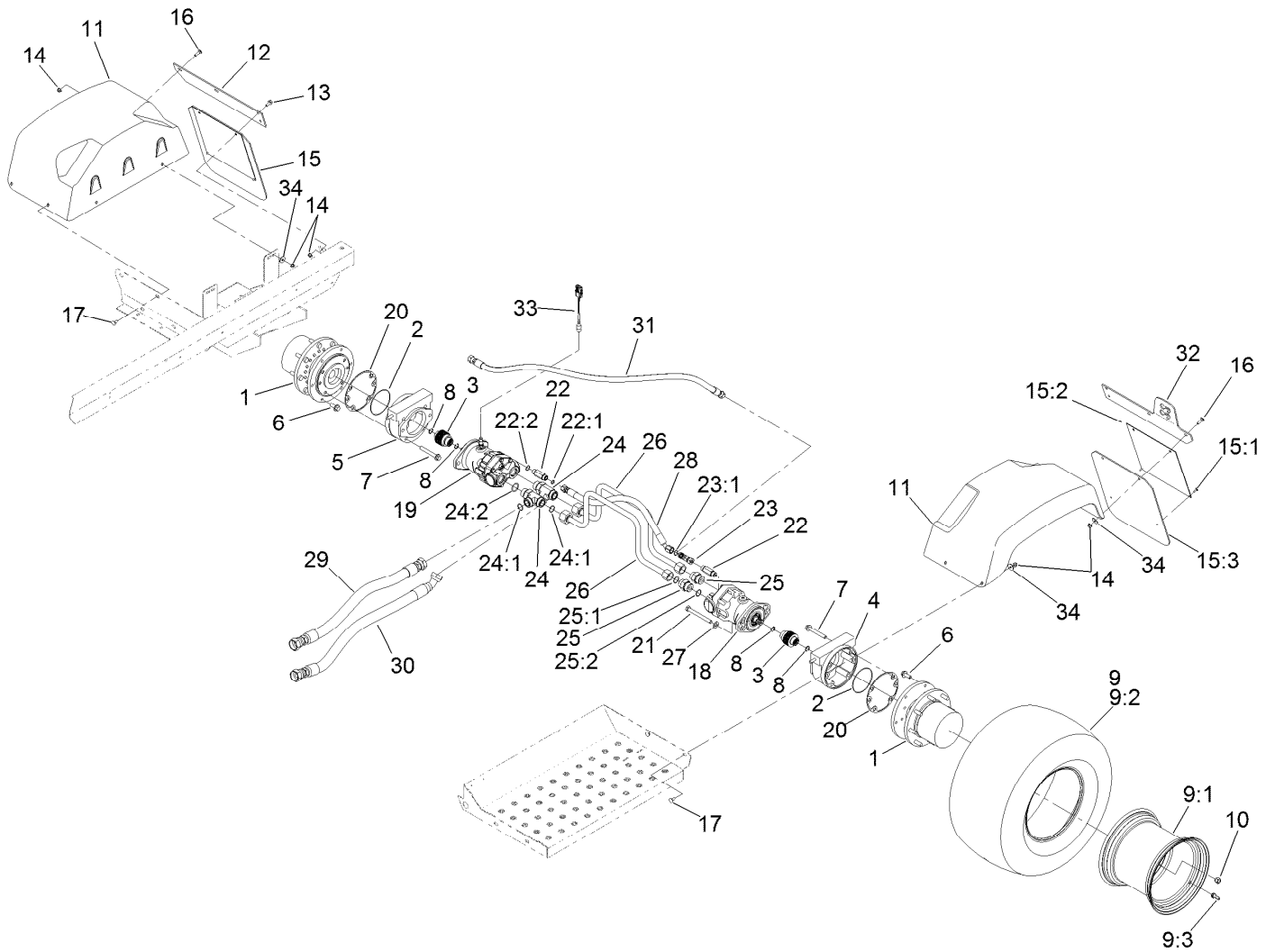


## On-Off Boom Lift Valve Assembly No. 136-2400

Ref.	Part Number	Qty.	Description
3	136-2430	2	Valve-Check, Po
3:1	120-0886	1	Seal Kit
4	107-7517	1	Valve-Solenoid
4:1	105-9156	1	Seal Kit
4:2	107-7812	1	Nut-Solenoid
5	120-2587	2	Valve-Solenoid
5:1	112-6520	1	Seal Kit ●
6	119-8036	5	Coil
7	120-2586	2	Spacer-Coil
8	110-8903	2	Orifice-Control, Flow (0.055)
9	125-8849	2	Orifice-Flow Control
10	340-92	4	Fitting-Straight
10:1	237-78	1	O-Ring
10:2	237-21	1	O-Ring
11	110-2634	2	Nut-Coil

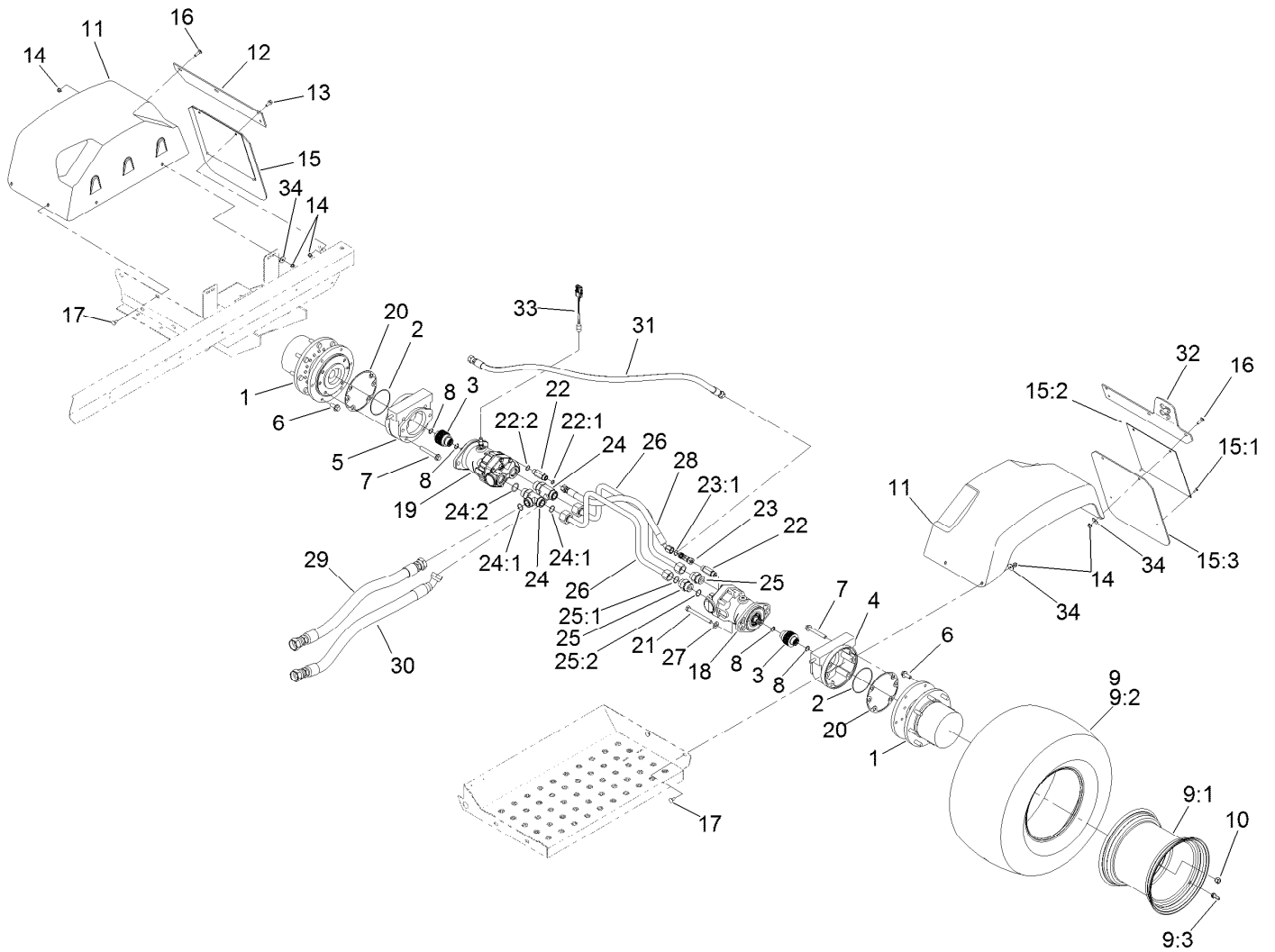
● Not illustrated





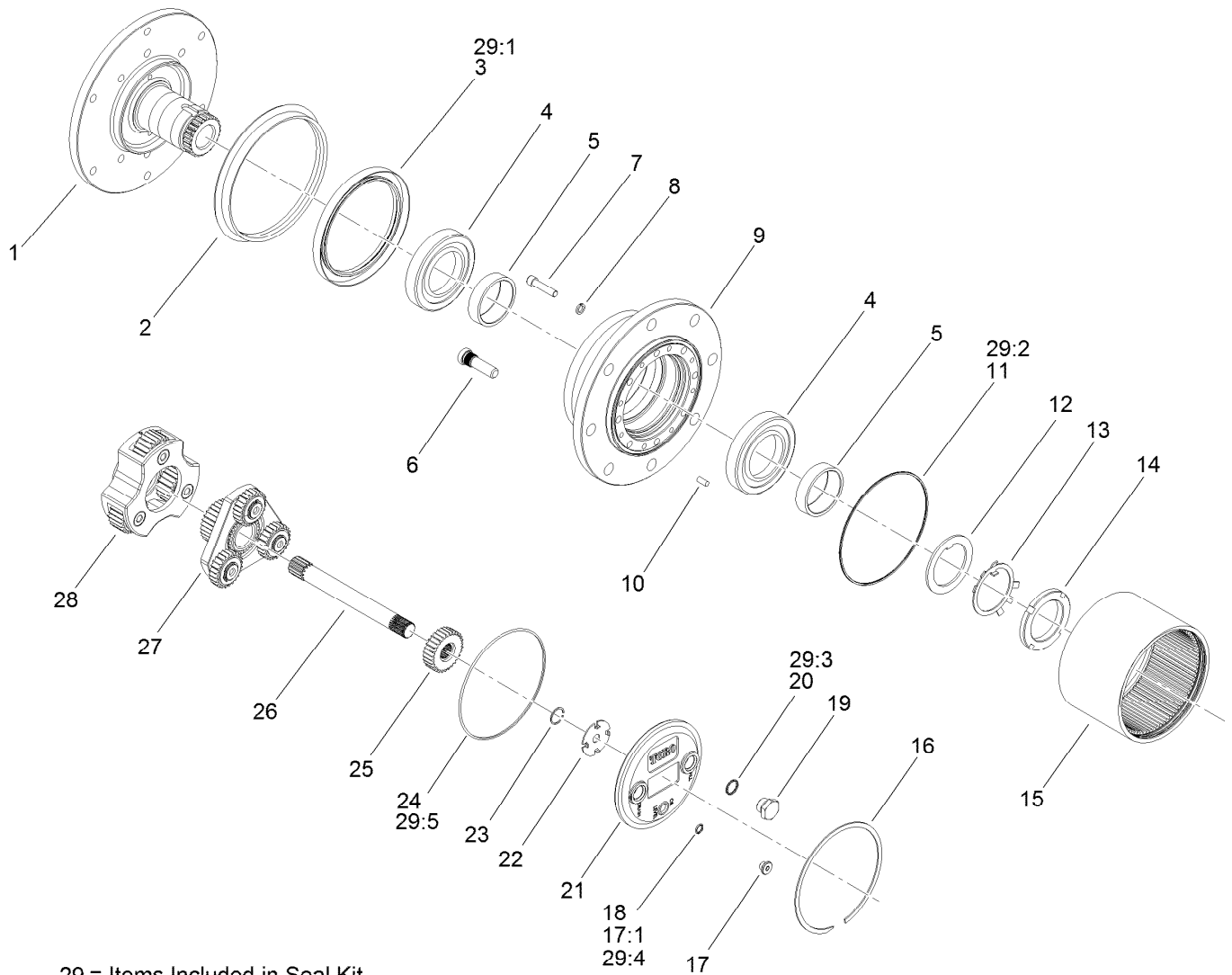
## Rear Drive Assembly

Ref.	Part Number	Qty.	Description	Ref.	Part Number	Qty.	Description
1	136-2913	2	Planetary ASM	16	3230-2	4	Bolt-CARR
2	237-166	2	O-Ring	17	3230-1	8	Bolt-CARR
3	100-3046	2	Shaft-Brake, Splined	18	132-5631	1	HYD Motor ASM
4	100-3069	1	RH Brake ASM	19	136-2373	1	Motor-Hydraulic (W/Speed Sensor)
5	100-3070	1	LH Brake ASM	20	93-7984	2	Gasket
6	33106-030	12	Screw-HHF	21	33116-110	4	Screw-HH
7	33106-080	8	Screw-HHF	22	119-4854	2	Fitting-STR
8	93-7972	4	Ring-Retaining, Internal	22:1	237-30	1	O-Ring
9	145-3376	2	Tire/Wheel ASM	22:2	237-79	1	O-Ring
9:1	133-2723	1	Wheel	23	340-104	1	Fitting-Tee
9:2	145-3377	1	Tire 26.5/14-12, 6 Ply	23:1	237-30	2	O-Ring
9:3	232-27	1	Stem-Valve	24	104-3795	2	Fitting-Tee
10	242-50	16	Nut-Lug	24:1	340-65	2	O-Ring
11	93-6498	2	Fender-Rear	24:2	237-146	1	O-Ring
12	93-6528-03	1	Strap-Mount, Fender	25	340-91	2	Fitting-STR
13	3234-5	4	Screw-HHF	25:1	237-58	1	O-Ring
14	104-8300	16	Nut-HF, NI	25:2	237-146	1	O-Ring
15	94-7127	2	Splash Guard ASM	26	117-0674	2	Tube-Traction
15:1	114439	2	Rivet-Blind	27	33096-00	4	Washer-Flat
15:2	94-7128-03	1	Plate-Guard, Splash	28	131-9634	1	Hydraulic Hose ASM
15:3	94-7129	1	Guard-Splash				



## Rear Drive Assembly (continued)

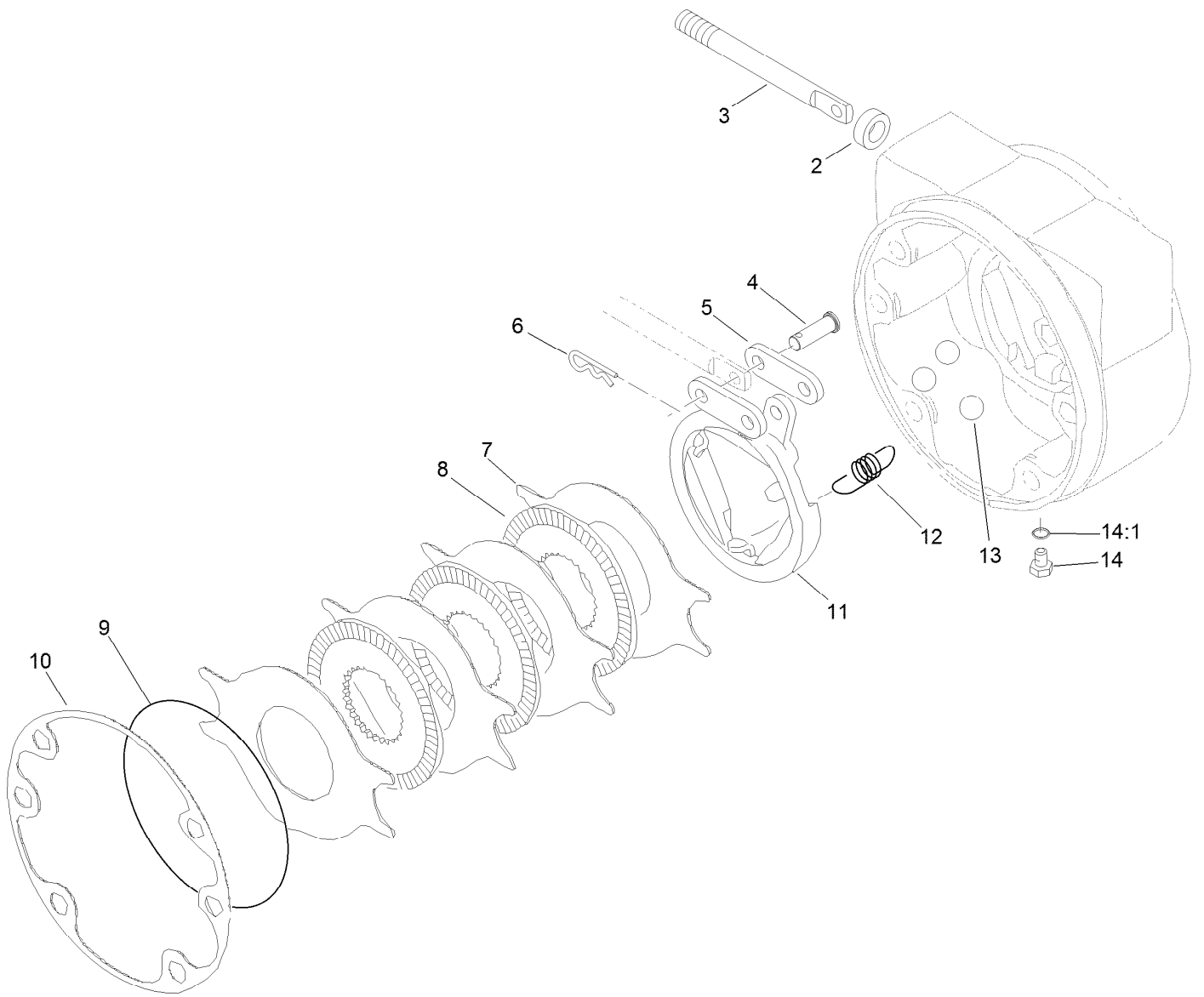
<i>Ref.</i>	<i>Part Number</i>	<i>Qty.</i>	<i>Description</i>	<i>Ref.</i>	<i>Part Number</i>	<i>Qty.</i>	<i>Description</i>
29	120-8563	1	Hose ASM	32	136-2308-03	1	Support-Mount, Drain
30	120-8564	1	Hose ASM	33	136-2339	1	Harness-Wire, Adaptor
31	119-0582	1	Hose ASM	34	3256-82	12	Washer-Flat



## Planetary Assembly No. 136-2913

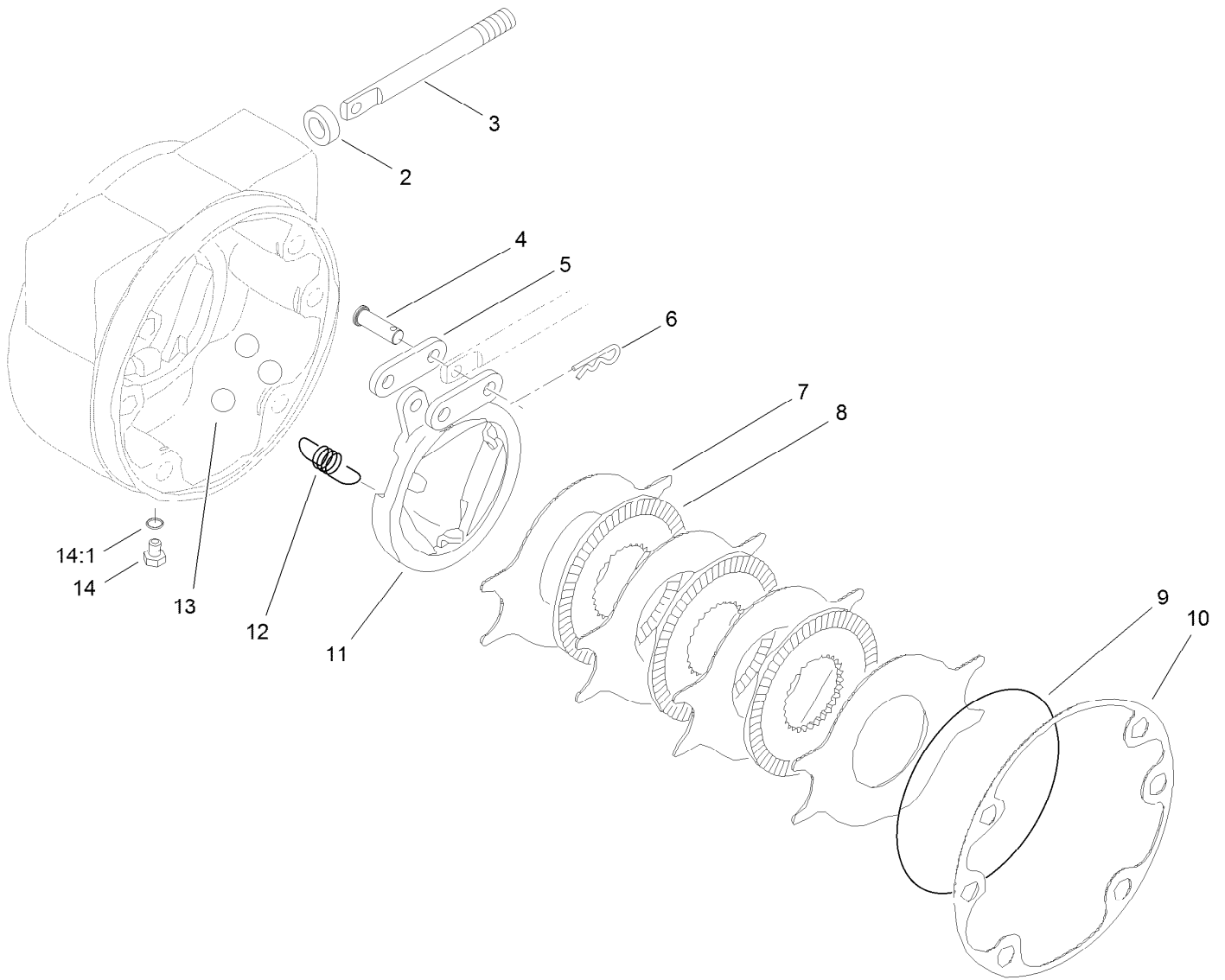
Ref.	Part Number	Qty.	Description	Ref.	Part Number	Qty.	Description
1		1	Spindle ●	18	237-78	1	O-Ring
2	138-1204	1	Seal-Boot	19	138-1211	2	Plug-Flange, Magnetic
3		1	Seal-Lip ●	20	138-1212	2	O-Ring
4	138-1205	2	Bearing-Cup	21	138-1213	1	Cap-End
5	138-1206	2	Bearing-Cone	22	138-1214	1	Washer-Thrust, Sun
6	105-8124	8	Stud-Wheel	23	105-8131	2	Ring-Retaining
7	138-1207	8	Screw-Socket Head	24		1	O-Ring ●
8	138-1208	8	Washer-Lock	25	138-1215	1	Gear-Primary, Sun
9		1	Housing ●	26	138-1216	1	Shaft-Drive
10	105-8121	4	Pin-Dowel	27	138-1217	1	Primary Carrier ASM
11		1	O-Ring ●	28	138-1218	1	Secondary Carrier ASM
12	138-6928	1	Spacer	29	138-1219	1	Seal Kit
13	138-6929	1	Washer	29:1		1	Seal-Lip ●
14	138-6930	1	Nut-Lock	29:2		1	O-Ring ●
15	138-1209	1	Gear-Ring	29:3		1	O-Ring ●
16	138-1210	1	Ring-Snap	29:4		1	O-Ring ●
17	353-990	1	Plug ASM	29:5		1	O-Ring ●
17:1	237-78	1	O-Ring				

● Not serviced separately



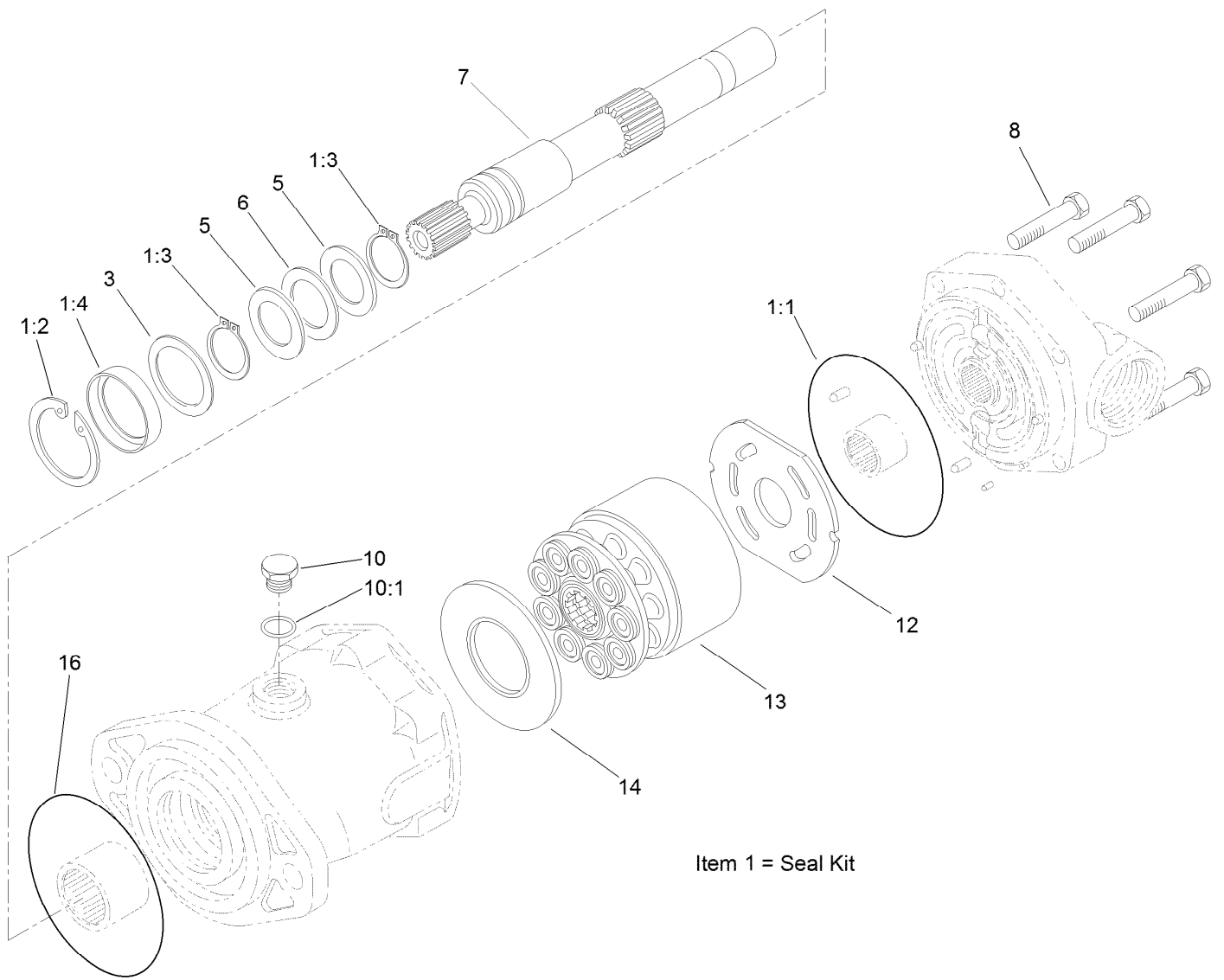
## RH Brake Assembly No. 100-3069

Ref.	Part Number	Qty.	Description
2	93-7977	1	Seal
3	93-7978	1	Rod-Pull
4	93-7983	2	Pin-Clevis
5	93-7980	2	Link
6	93-7979	2	Pin-Hitch
7	93-7986	4	Disc-Stationary
8	104-4278	3	Disc-Rotating
9	93-7976	1	Ring-Retaining
10	93-7984	1	Gasket
11	104-4280	1	Actuator-Rotating
12	93-7987	3	Spring-Extension
13	93-7985	3	Ball
14	353-990	2	Plug ASM
14:1	237-78	1	O-Ring



## LH Brake Assembly No. 100-3070

<i>Ref.</i>	<i>Part Number</i>	<i>Qty.</i>	<i>Description</i>
2	93-7977	1	Seal
3	93-7978	1	Rod-Pull
4	93-7983	2	Pin-Clevis
5	93-7980	2	Link
6	93-7979	2	Pin-Hitch
7	93-7986	4	Disc-Stationary
8	104-4278	3	Disc-Rotating
9	93-7976	1	Ring-Retaining
10	93-7984	1	Gasket
11	104-4279	1	Actuator-Rotating
12	93-7987	3	Spring-Extension
13	93-7985	3	Ball
14	353-990	2	Plug ASM
14:1	237-78	1	O-Ring

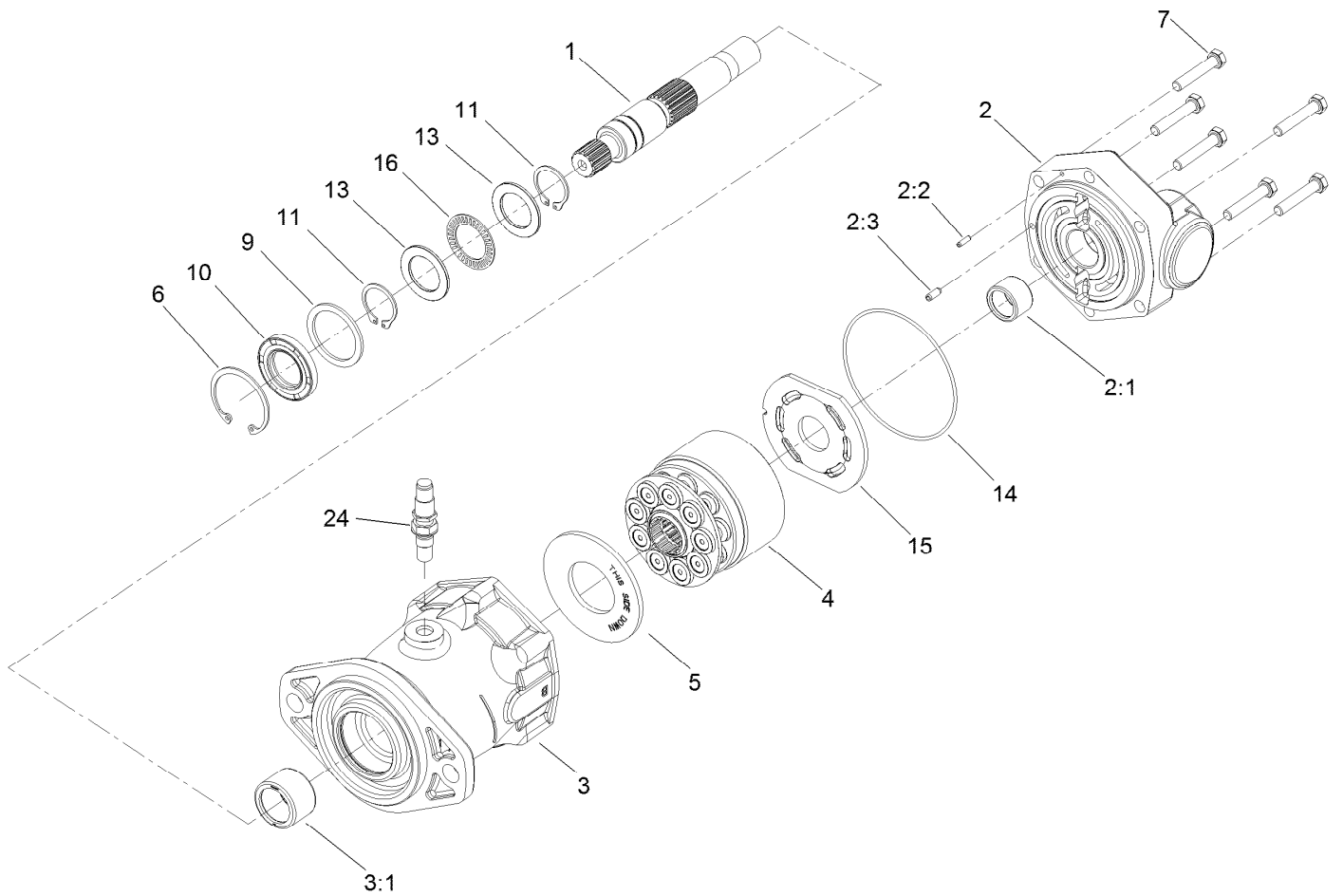


## Hydraulic Motor Assembly No. 132-5631

Ref.	Part Number	Qty.	Description	Ref.	Part Number	Qty.	Description
1	106-6876	1	Seal Kit	7	94-3004	1	Shaft-Drive, Splined
1:1		1	O-Ring ●■	8	94-3002	6	Screw-Cap
1:2	76-7010	1	Ring-Retaining ●	10	94-3009	1	Plug
1:3	76-7000	2	Ring-Retaining ●	10:1		1	O-Ring ■
1:4		1	Seal-Shaft ●■	12	94-3003	1	Plate-Valve
3	60-6240	1	Washer	13	76-6910	1	Rotating Kit
5	76-6950	2	Race-Thrust	14	76-6970	1	Insert-Plate, Cam
6	76-6960	1	Bearing-Thrust	16	237-166	1	O-Ring

● Not illustrated

■ Not serviced separately



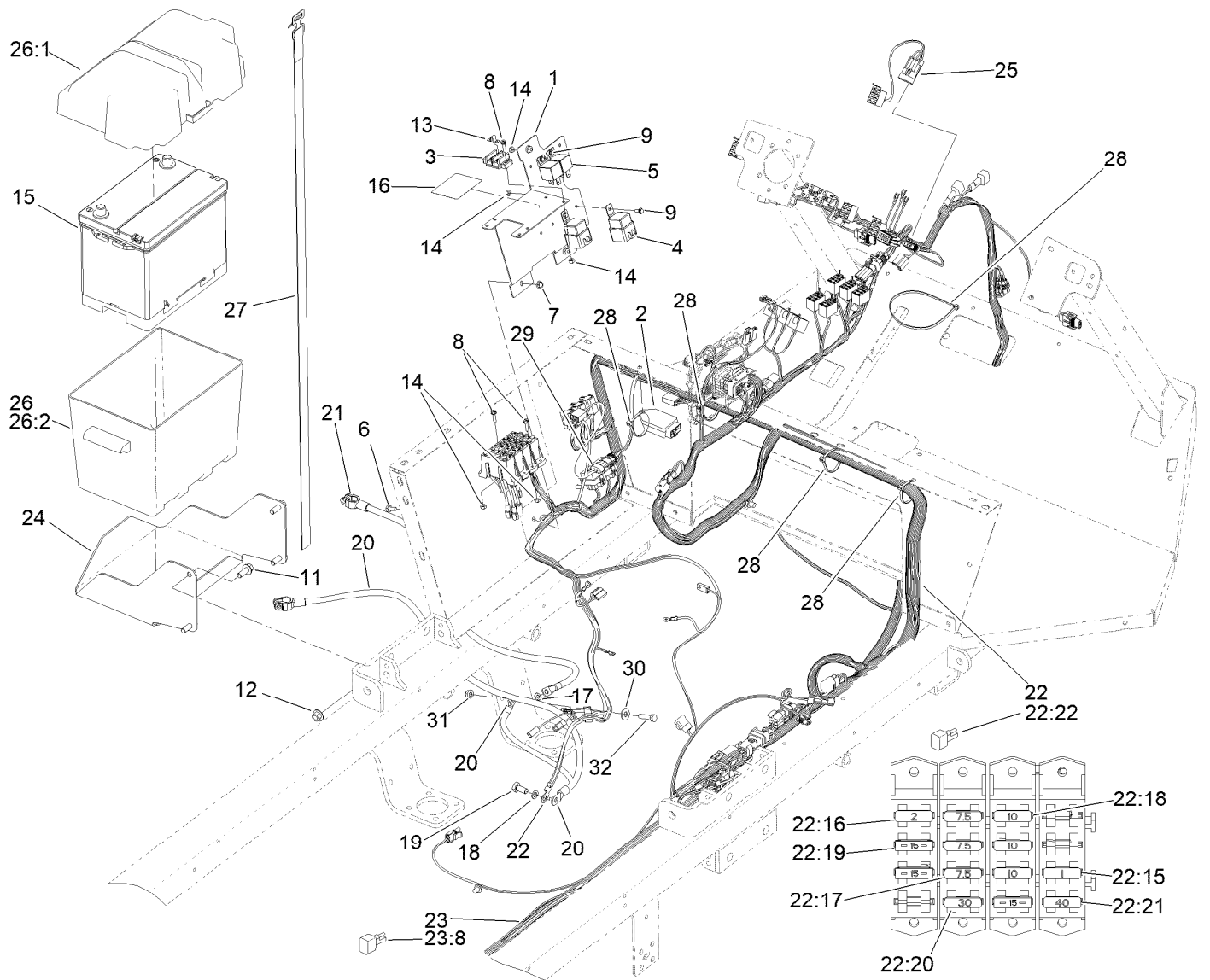
## Hydraulic Motor Assembly No. 136-2373

Ref.	Part Number	Qty.	Description
1	94-3004	1	Shaft-Drive, Splined
2	136-2366	1	Backplate ASM
2:1	136-2367	1	Bearing
2:2	136-2369	1	Pin-Roll
2:3	136-2370	1	Pin-Roll
3	136-2365	1	Housing ASM
3:1	136-2368	1	Bearing
4	76-6910	1	Rotating Kit
5	76-6970	1	Insert-Plate, Cam
6	76-7010	1	Ring-Retaining
7	94-3002	6	Screw-Cap
9	60-6240	1	Washer

Ref.	Part Number	Qty.	Description
10	106-6876	1	Seal Kit
10:1		1	O-Ring ■●
10:2	76-7010	1	Ring-Retaining ●
10:3	76-7000	2	Ring-Retaining ●
10:4		1	Seal-Shaft ■●
11	76-7000	2	Ring-Retaining
13	76-6950	2	Race-Thrust
14	76-6980	1	O-Ring
15	94-3003	1	Plate-Valve
16	76-6960	1	Bearing-Thrust
24	136-2270	1	Sensor-Speed, Wheel

● Not illustrated

■ Not serviced separately

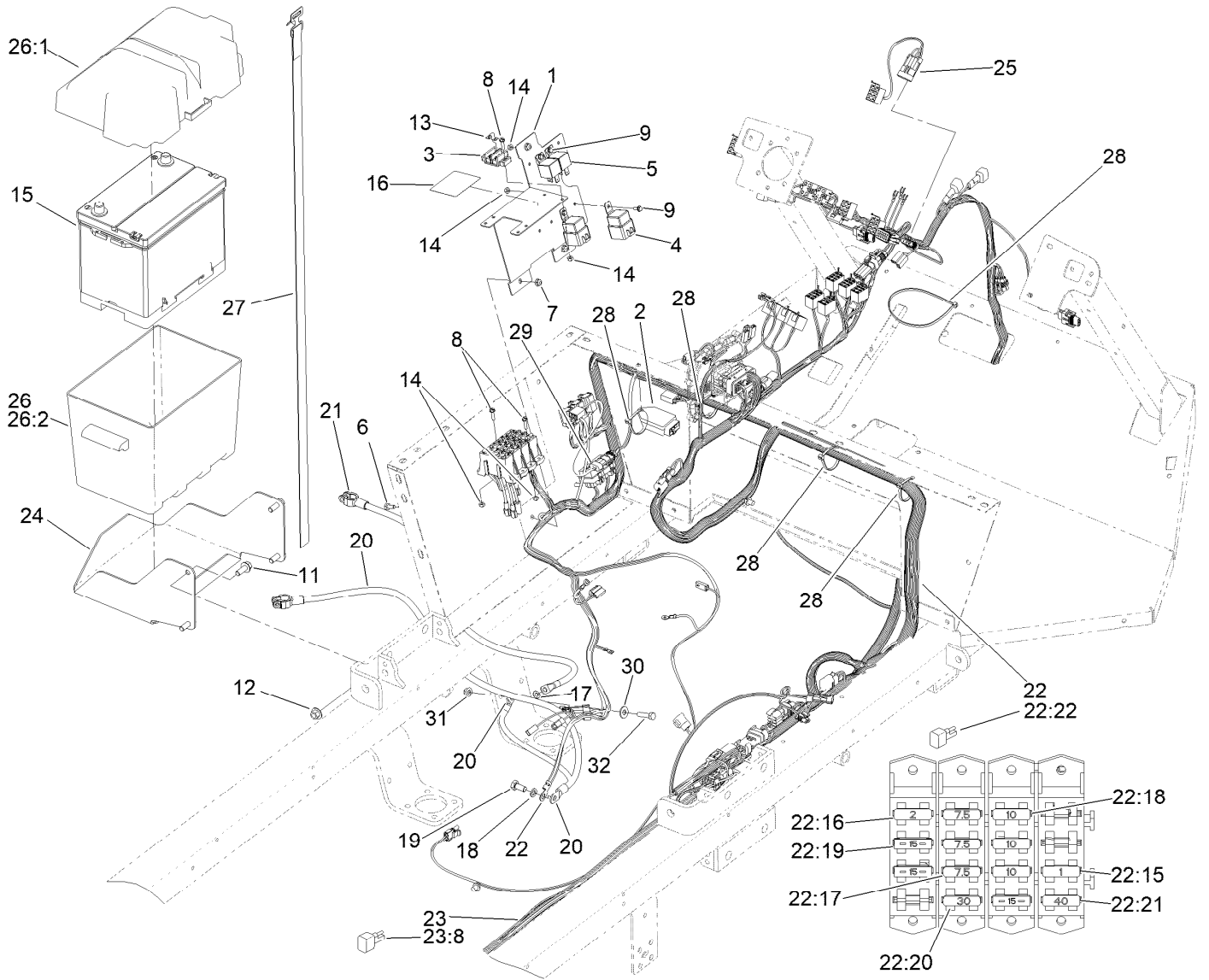


## Electrical Assembly

Ref.	Part Number	Qty.	Description
1	133-2757-0P	1	Panel-Electrical
2	98-7611	1	Controller-Glow
3	42862	1	Block-Terminal, Ground
4	99-7430	2	Relay-Mini
5	99-7435	2	Relay
6	321-3	3	Screw-HH
7	104-7201	3	Nut-HF, NI
8	32105-13	4	Screw-HWH
9	3290-321	4	Screw-HWH
11	3234-11	4	Screw-HHF
12	32128-43	4	Nut-Flange
13	42863	1	Strip-Jumper
14	3296-2	8	Nut-Lock, NI
15	106-5190	1	Battery, 660 CCA W/O Electrolyte
16	133-2758	1	Decal-Fuse
17	3255-8	1	Washer-Lock
18	48-9590	1	Washer-Lock
19	63-7790	1	Screw-Cap
20	105-0115	1	Cable-Battery, Negative
21	105-0114	1	Cable-Battery, Positive

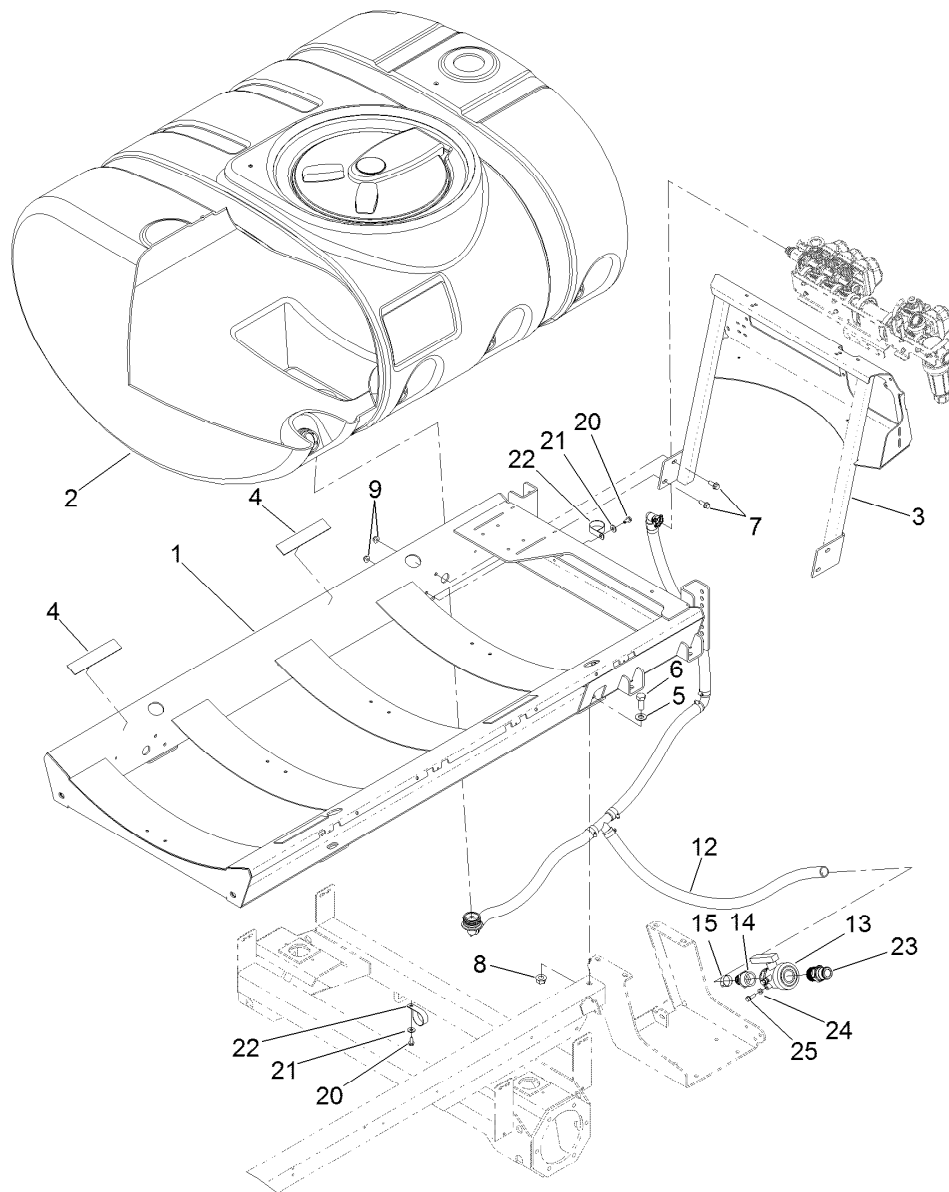
Ref.	Part Number	Qty.	Description
22	122-1440	1	Harness-Wire
22:15	104-9055	1	Fuse-Blade, 1 Amp
22:16	94-6710	1	Fuse-2 Amp
22:17	114241	3	Fuse-Blade, 7.5 Amp
22:18	218-578	3	Fuse-Blade, 10 Amp
22:19	109355	3	Fuse-Blade, 15 Amp
22:20	109103	1	Fuse-Blade, 30 Amp
22:21	99-6124	1	Fuse-40 Amp
22:22	100-4918	2	Diode
23	122-0694	1	Harness-Wire, Rear
23:8	100-4918	4	Diode
24	119-5049-03	1	Bracket-Battery
25	122-0695	1	Harness-Wire, Auto/MAN
26	93-7595	1	Battery Box ASM
26:1	105-2914	1	Top-Battery Box
26:2	105-2915	1	Bottom-Battery Box
27	3339-175	1	Strapping-Web
28	3290-378	6	Tie-Cable
29	108-8657	1	Harness-Wire, Seat
30	3256-3	1	Washer-Flat





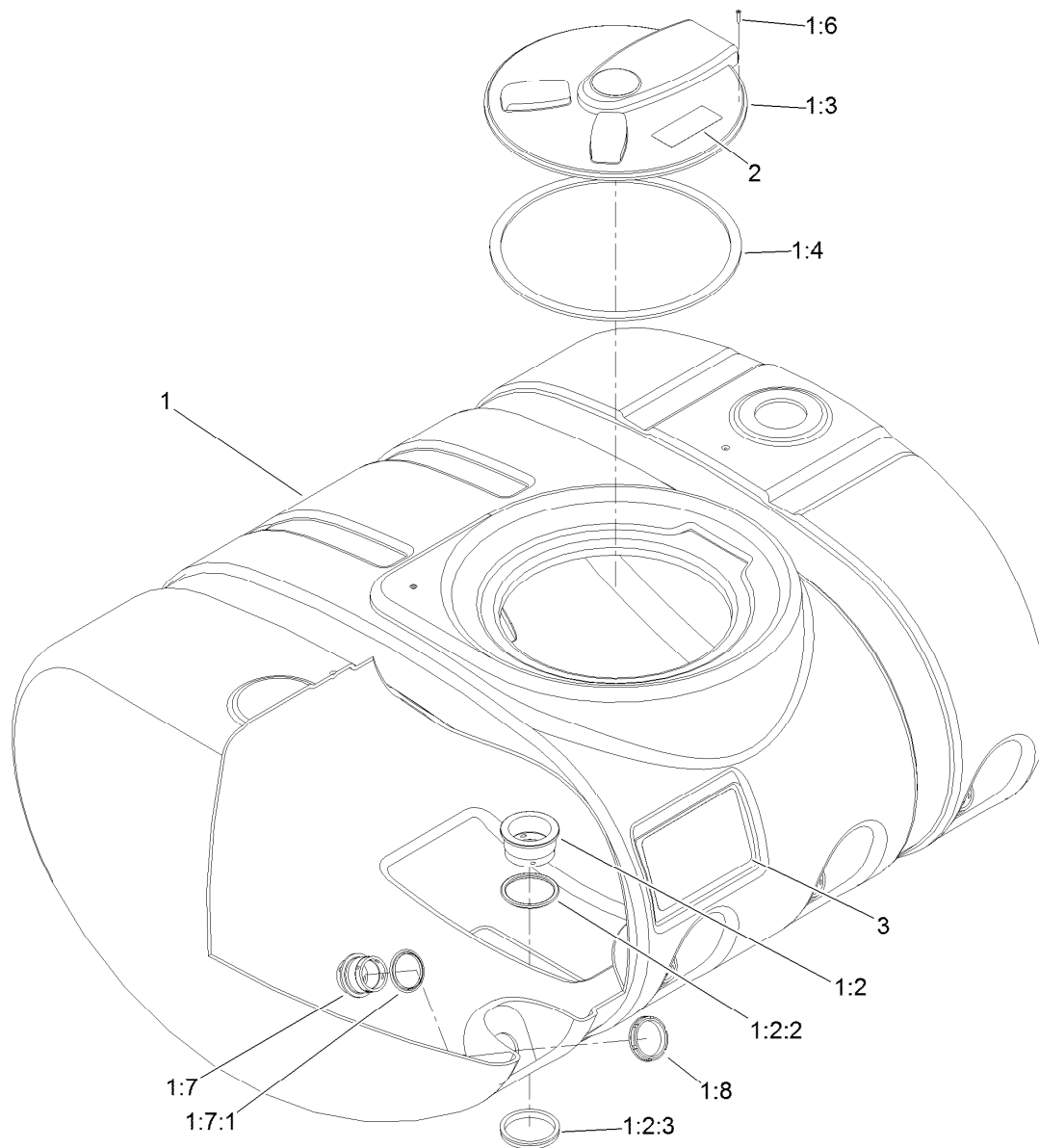
## Electrical Assembly (continued)

Ref.	Part Number	Qty.	Description
31	104-8300	1	Nut-HF, NI
32	322-6	1	Screw-HH



## Tank and Saddle Assembly

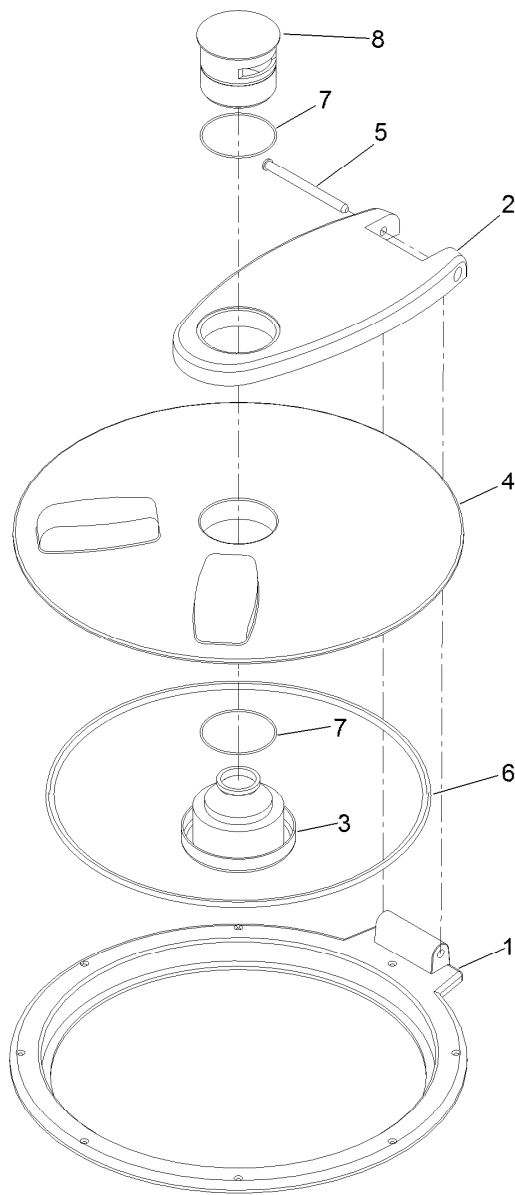
<i>Ref.</i>	<i>Part Number</i>	<i>Qty.</i>	<i>Description</i>	<i>Ref.</i>	<i>Part Number</i>	<i>Qty.</i>	<i>Description</i>
1	130-7092-03	1	Tank Saddle ASM	13	108-0069	1	Valve-Ball
2	117-8005	1	Tank ASM	14	110-5224	1	Fitting-Barbed, Straight
3	136-2289-03	1	Support-Valve	15	2412-34	1	Clamp-Hose
4	104-7102	4	Pad-Battery	20	32104-32	2	Screw-HWH
5	3256-27	4	Washer-Flat	21	3256-3	2	Washer-Flat
6	327-4	4	Screw-HH	22	2412-147	2	Clamp-R
7	3234-11	4	Screw-HHF	23	132-7787	1	Coupler-Quick
8	32128-50	4	Nut-Flange	24	32128-26	2	Nut-Flange
9	104-8301	4	Nut-HF, NI	25	3234-29	2	Screw-HHF
12	132-4297	1	Bypass Hose ASM				



## Tank Assembly No. 117-8005

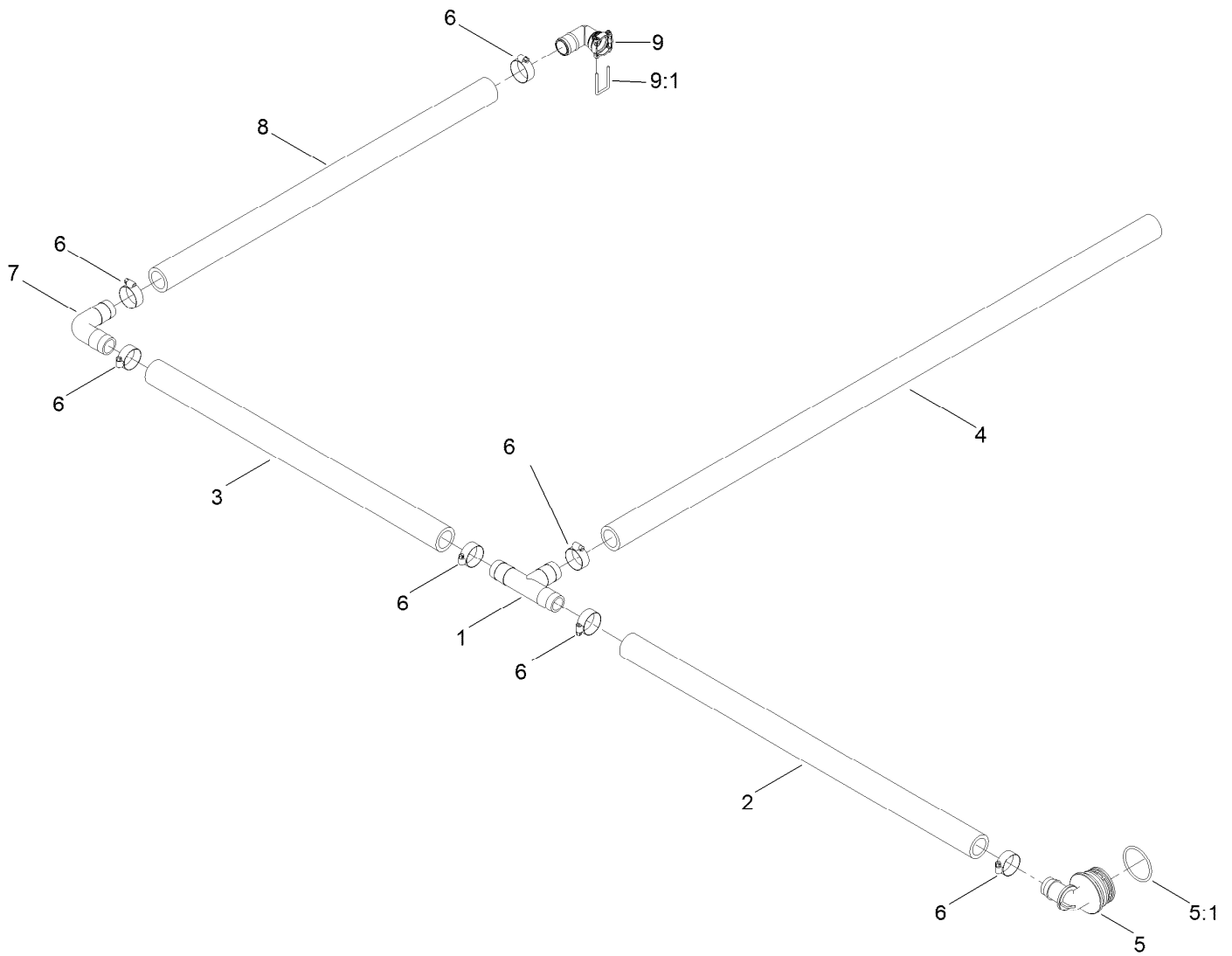
<i>Ref.</i>	<i>Part Number</i>	<i>Qty.</i>	<i>Description</i>
1		1	Tank ASM ●
1:2	117-7851	1	Bulkhead ASM
1:2:2	100-8646	1	Gasket-Bulkhead
1:2:3	100-8647	1	Nut-Bulkhead
1:3	138-6283	1	Lid ASM - Sprayer Tank
1:4	119-9378	1	Gasket-Lid, Tank
1:6	107-8635	8	Screw-PFH
1:7	108-3358	4	Fitting-Bulkhead
1:7:1	107-2864	1	Gasket-Bulkhead
1:8	100-7051	4	Nut-Bulkhead
2	120-0622	1	Decal-Warning
3	119-5042	2	Decal-Tank

● Not serviced separately



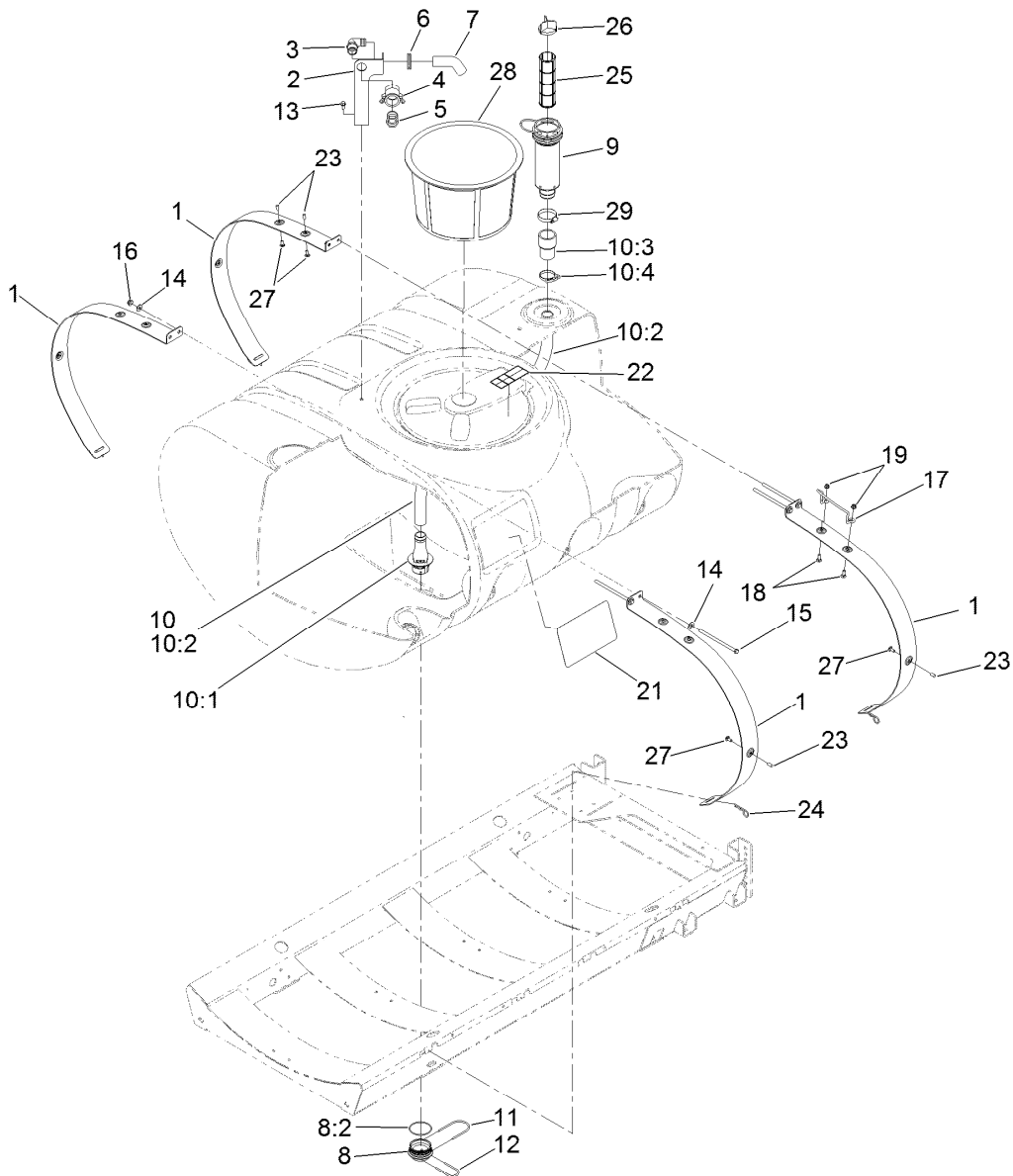
## Spray Tank Lid Assembly No. 138-6283

<i>Ref.</i>	<i>Part Number</i>	<i>Qty.</i>	<i>Description</i>
1	119-9381	1	Ring-Lid
2	119-9382	1	Arm-Lid
3	119-9383	1	Vent-Lid
4	119-9384	1	Cover-Lid
5	119-9385	1	Pin-Pivot
6	138-6281	1	Seal - Tank Lid
7	119-9386	2	O-Ring
8	119-9387	1	Cap-Lid



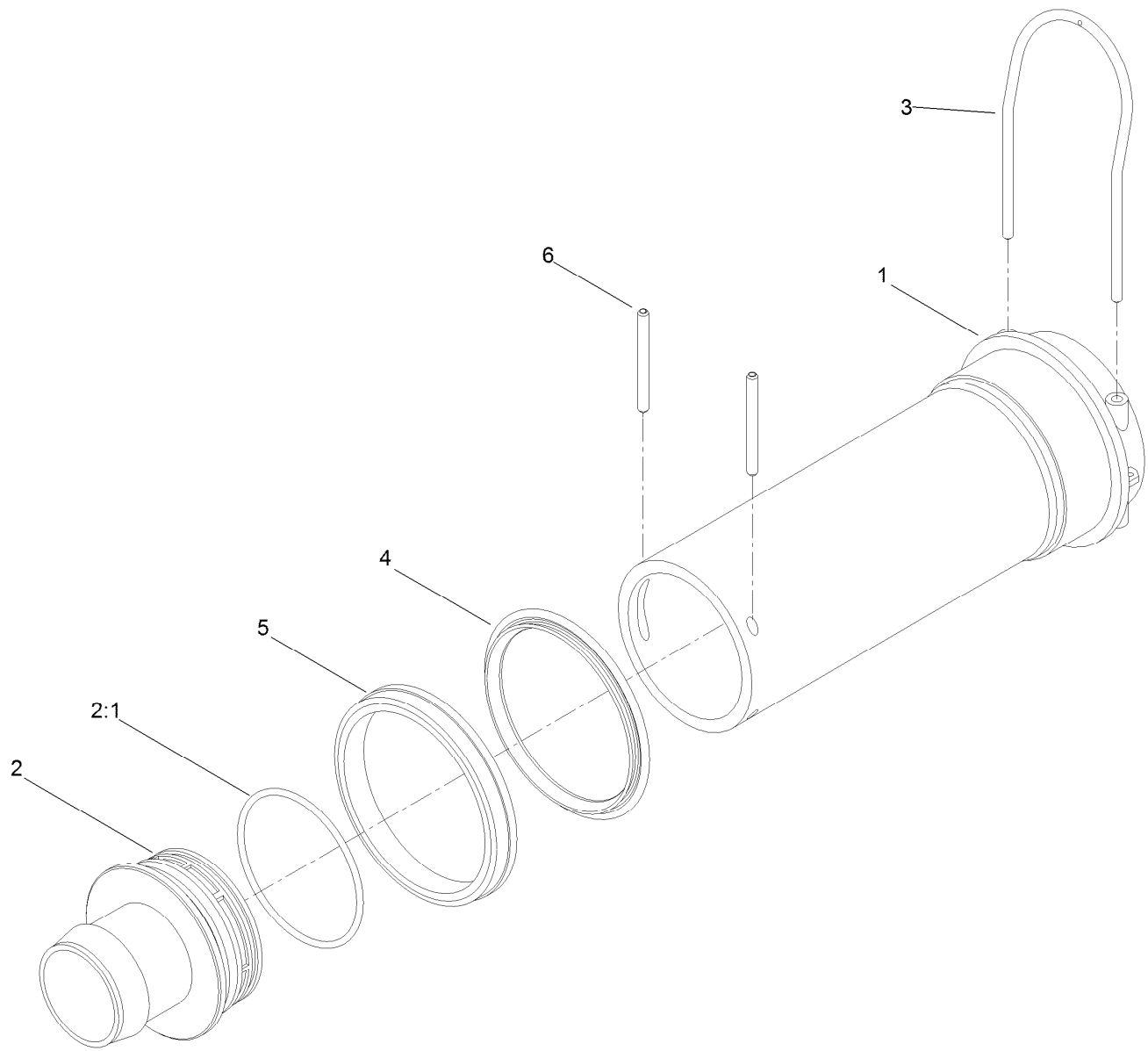
## Bypass Hose Assembly No. 132-4297

Ref.	Part Number	Qty.	Description
1	117-7866	1	Tee-Hosebarb
2	131-5775	1	Hose-Drain
3	131-5825	1	Hose-Drain
4	131-5777	1	Hose-Drain
5	106-4933	1	Hosebarb ASM
5:1	100-8637	1	O-Ring
6	2412-34	7	Clamp-Hose
7	117-7867	1	Elbow-Hosebarb
8	131-5824	1	Hose-Drain
9	131-0213	1	90 DEG Barb Fitting Kit
9:1	133-0398	1	Pin-Fork



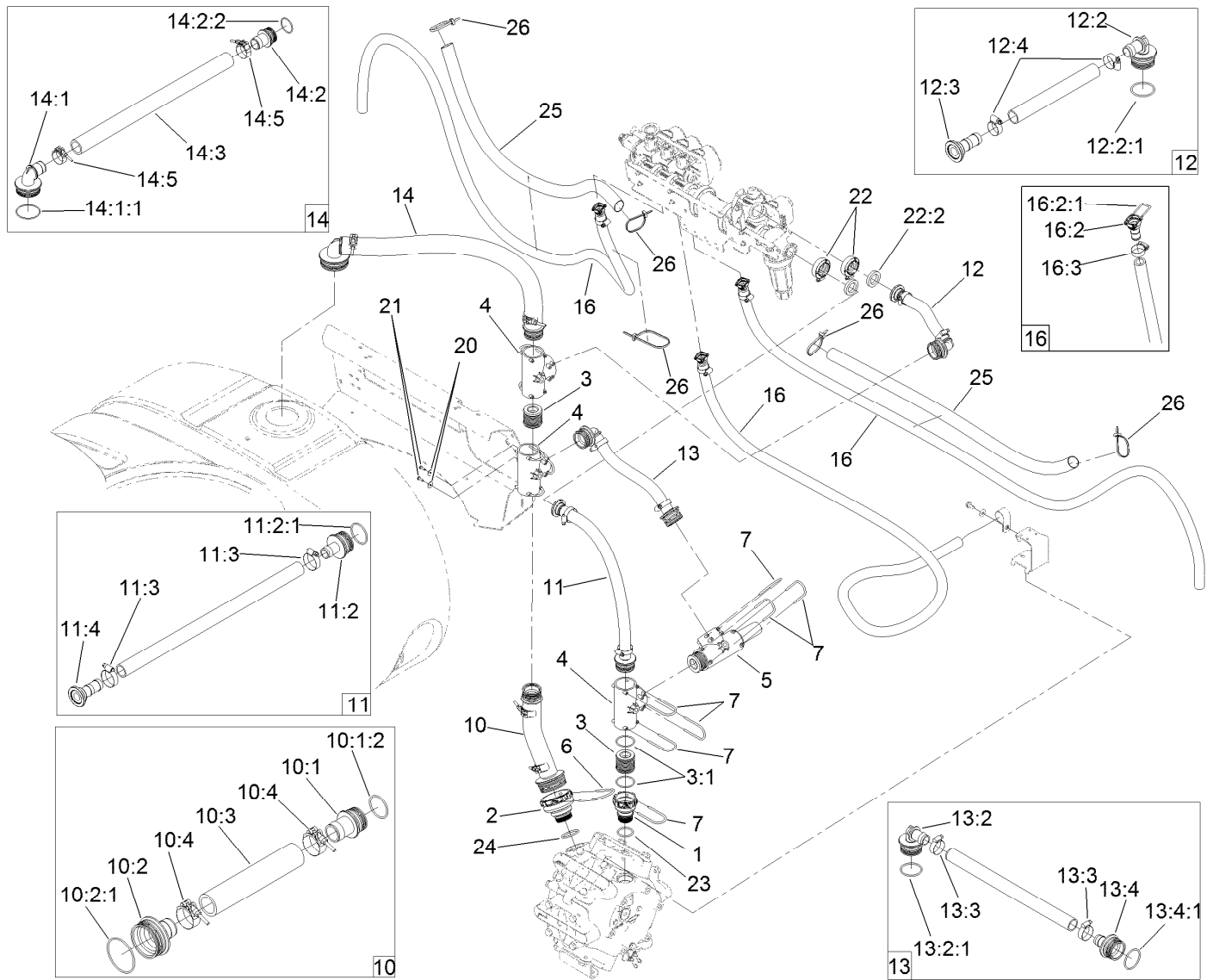
## Tank Mounting and Filter Assembly

Ref.	Part Number	Qty.	Description	Ref.	Part Number	Qty.	Description
1	117-8029-03	4	Band-Tank	14	3256-4	8	Washer-Flat
2	110-5082-03	1	Bracket-Anti Siphon	15	120-0649	4	Bolt-TAP HH
3	41140	1	Elbow	16	104-8301	4	Nut-HF, NI
4	100-6779	1	Coupling-Female	17	119-5019	1	Stop-Lid
5	41316	1	Adapter-Quick	18	3230-2	2	Bolt-CARR
6	110-5090	1	Grommet	19	104-8300	2	Nut-HF, NI
7	110-5088	1	Hose-Fill	21	131-3317	2	Decal-Tank
8	117-7928	1	Adapter ASM	22	120-0622	1	Decal-Warning
8:2	100-6989	1	O-Ring	23	42452	5	Cap-Protective
9	130-7096	1	Filter ASM	24	3290-343	4	Pin-Hair
10	121-5003	1	Suction Tube ASM	25	100-6991	1	Element-Filter, Green
10:1	121-5008	1	Foot-Suction	25	100-6992	1	Element-Filter, Red
10:2	121-5030	1	Tube-Suction	25	100-8642	1	Screen-Suction
10:3	121-5031	1	Connector-Suction	26	100-8641	1	Vane-Screen
10:4	121-5047	1	Clamp-Nylon	27	3230-1	5	Bolt-CARR
11	117-7996	1	Fork	28	119-9419	1	Basket-Filter
12	100-8635	1	Fork	29	2412-130	1	Clamp-Hose
13	3234-5	1	Screw-HHF				



## Filter Assembly No. 130-7096

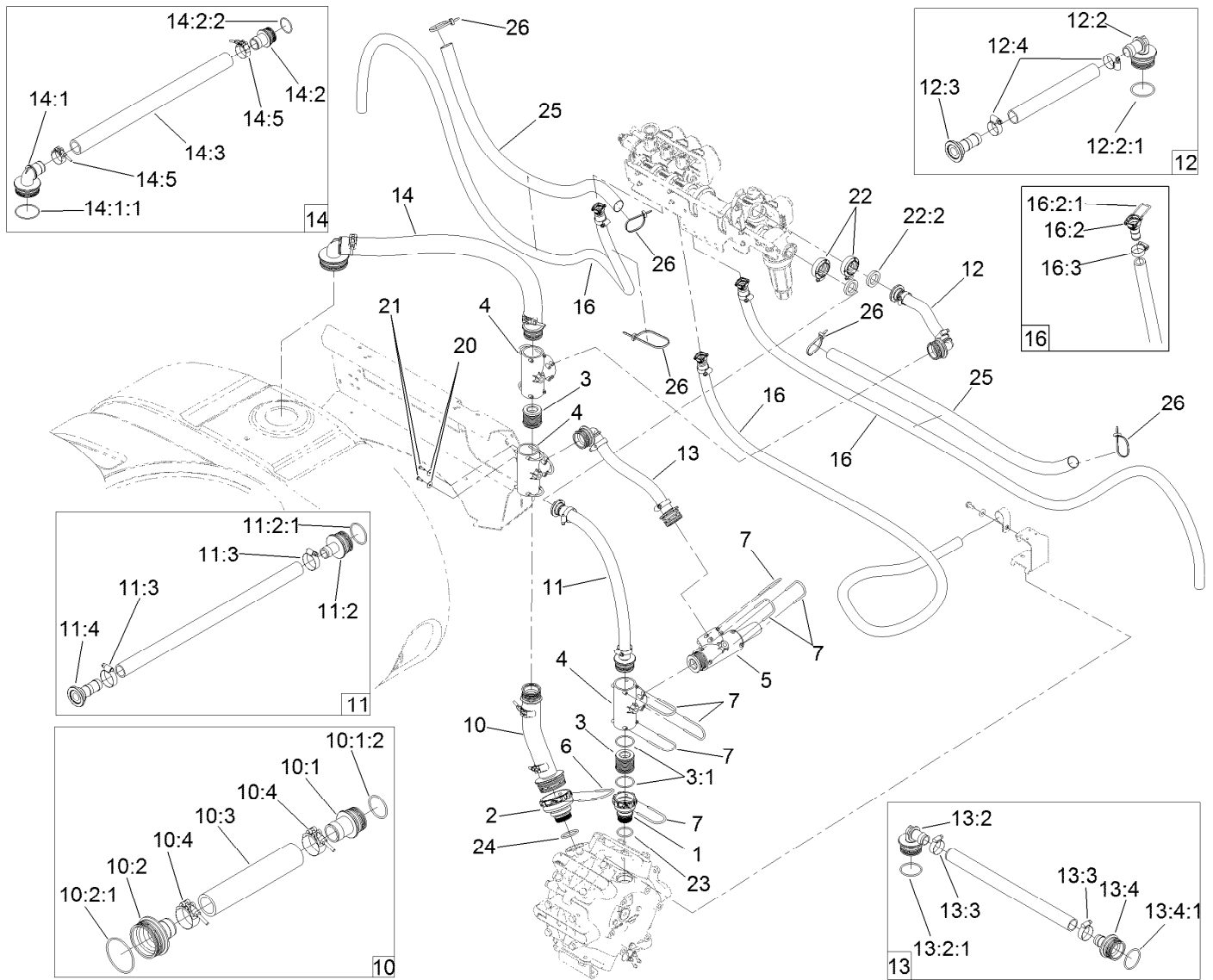
<i>Ref.</i>	<i>Part Number</i>	<i>Qty.</i>	<i>Description</i>
1	100-8643	1	Housing-Filter
2	106-4942	1	Hosebarb-Straight
2:1	100-6989	1	O-Ring
3	100-8636	1	Fork-Special
4	100-8646	1	Gasket-Bulkhead
5	100-8647	1	Nut-Bulkhead
6	100-8644	2	Pin-Expansion



## Spray System Hose Assembly

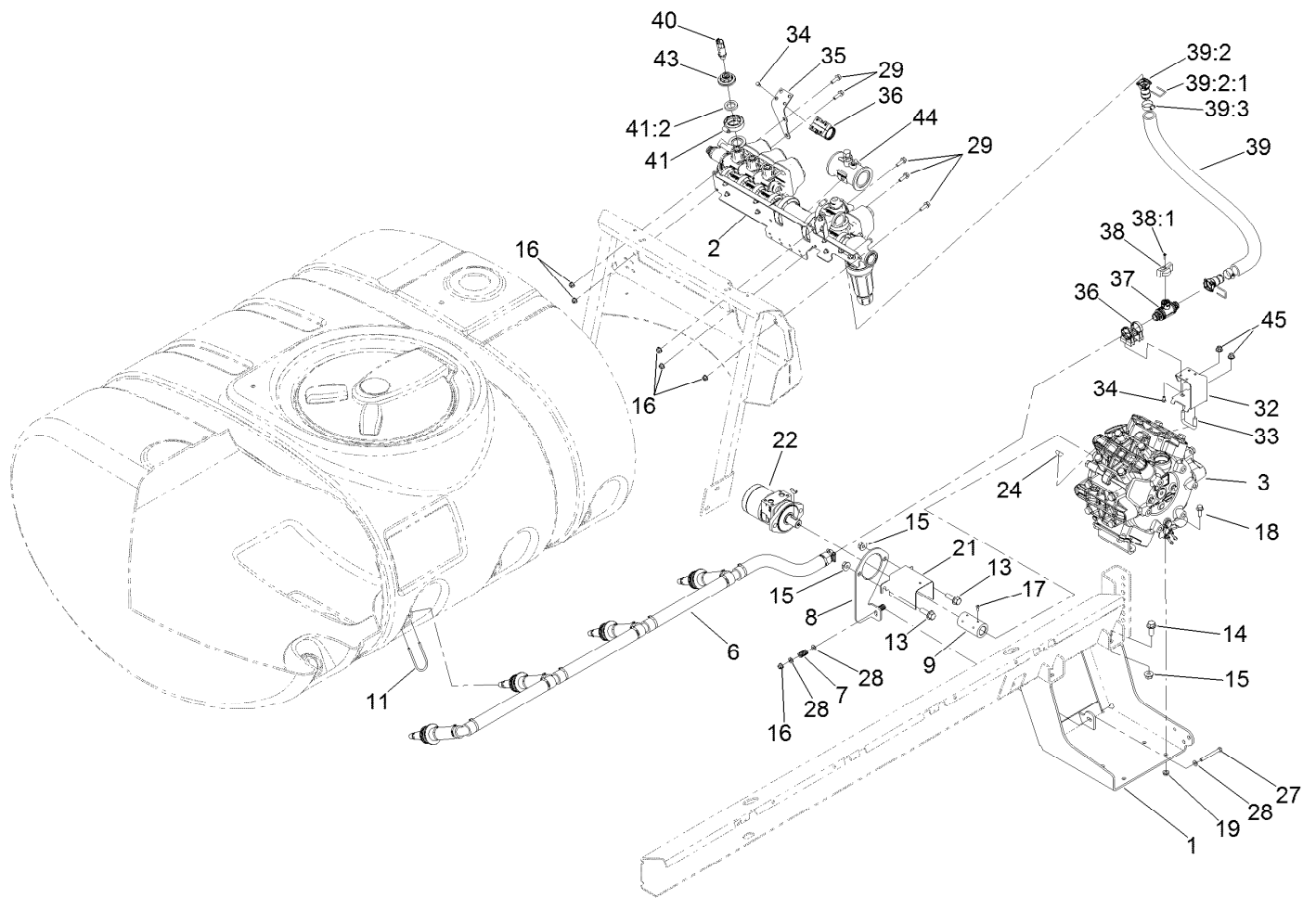
Ref.	Part Number	Qty.	Description	Ref.	Part Number	Qty.	Description
1	133-2881	1	Fitting	12:2	106-4933	1	Hosebarb ASM
2	133-2883	1	Fitting	12:2:1	100-8637	1	O-Ring
3	106-4947	2	Connector	12:3	127-1142	1	Fitting-Barb
3:1	100-8637	2	O-Ring	12:4	2412-129	2	Clamp-Hose
4	100-6704	3	Tee	13	117-7963	1	Pressure Relief Hose ASM
5	117-7874	1	Relief Valve ASM	13:2	106-4933	2	Hosebarb ASM
6	117-7996	1	Fork	13:2:1	100-8637	1	O-Ring
7	100-8635	11	Fork	13:3	2412-3	2	Clamp-Hose
10	130-7128	1	Lower Suction Hose ASM	13:4	106-4932	1	Hosebarb-Straight
10:1	117-7982	1	Hosebarb ASM	13:4:1	100-8637	1	O-Ring
10:1:2	100-8637	1	O-Ring	14	130-7127	1	Upper Suction Hose ASM
10:2	117-7965	1	Hosebarb ASM	14:1	106-4952	1	Hosebarb-90 DEG
10:2:1	100-6989	1	O-Ring	14:1:1	100-6989	1	O-Ring
10:3	127-8982	1	Hose-Suction, Lower	14:2	117-7982	1	Hosebarb ASM
10:4	130-7125	2	Clamp, T-Bolt	14:2:2	100-8637	1	O-Ring
11	132-4295	1	Supply Hose ASM	14:3	127-8981	1	Hose-Suction, Upper
11:2	106-4932	1	Hosebarb-Straight	14:5	130-7125	2	Clamp, T-Bolt
11:2:1	100-8637	1	O-Ring	16	132-4298	3	Left Boom Hose ASM
11:3	2412-3	2	Clamp-Hose	16:2	127-9807	1	Straight Fitting Kit
11:4	127-1142	1	Fitting-Barb	16:2:1	133-0398	1	Pin-Fork
12	132-4296	1	Agitation Bypass Hose ASM	16:3	2412-129	1	Clamp-Hose





## Spray System Hose Assembly (continued)

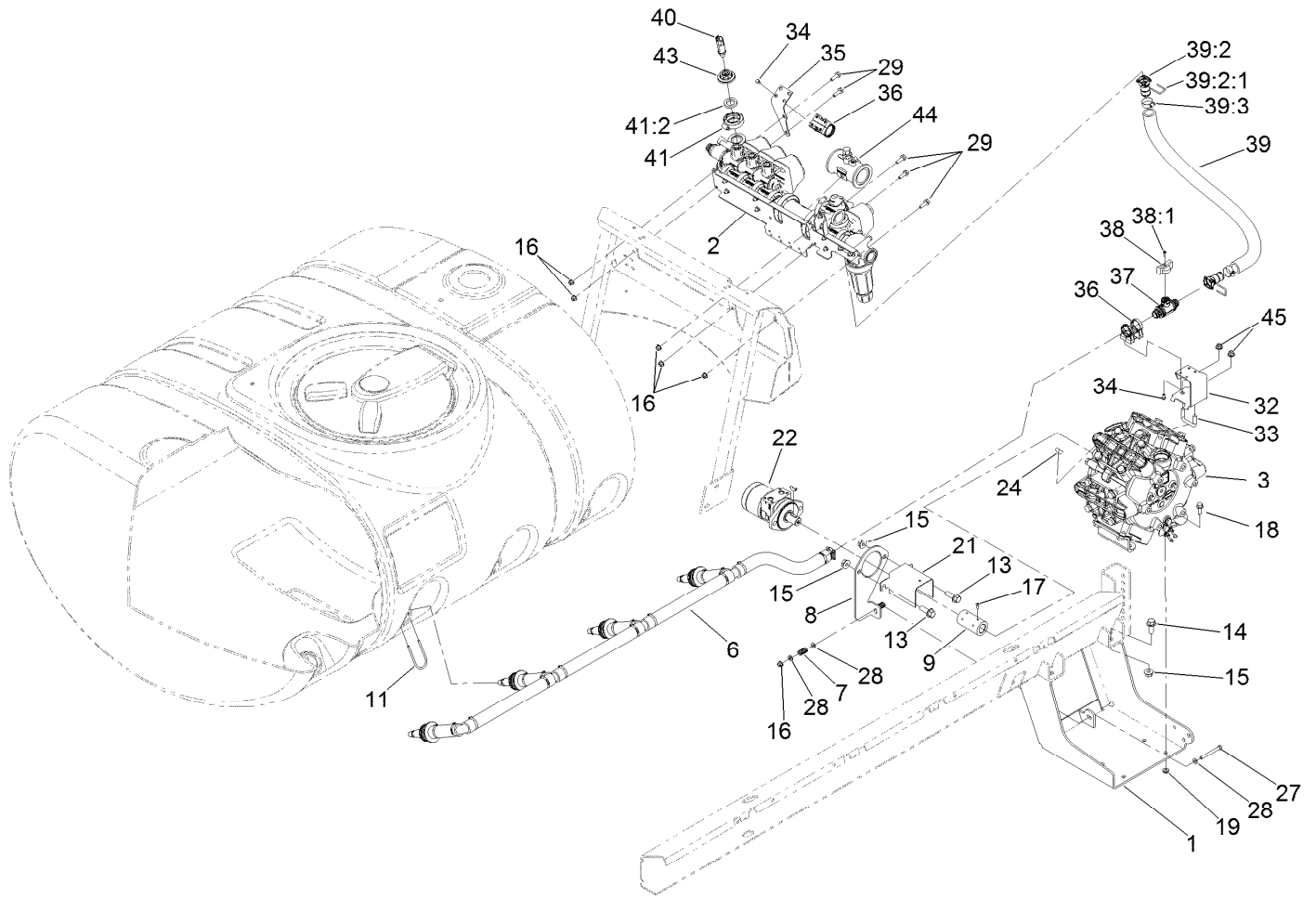
<i>Ref.</i>	<i>Part Number</i>	<i>Qty.</i>	<i>Description</i>	<i>Ref.</i>	<i>Part Number</i>	<i>Qty.</i>	<i>Description</i>
20	3256-61	2	Washer-Flat	23	133-2882	1	O-Ring
21	32144-32	2	Screw	24	133-2884	1	O-Ring
22	127-9829	2	Clamp/Gasket Kit	25	107-8650	2	Conduit-Convolutd
22:2	127-1145	1	Gasket-Flange	26	3290-378	5	Tie-Cable



## Spray Pump and Valve Assembly

Ref.	Part Number	Qty.	Description	Ref.	Part Number	Qty.	Description
1	117-0655-03	1	Bracket-Pump	24	106-1990	1	Key-Woodruff
2		1	Spray Manifold ASM - Mp5800 ●	27	322-14	1	Screw-HH
3	137-4230	1	Pump ASM	28	3256-23	5	Washer-Plain
6	139-3093	1	Agitation Hose ASM	29	3234-29	5	Screw-HHF
7	110-5331	2	Spring-Compression	32	136-0376-03	1	Bracket-Valve, Agitation
8	117-8040-03	1	Plate-Mount, Motor	33	107-3073	1	U-Bolt
9	117-8045	1	Coupler	34	33113-012	8	Screw-HH
11	100-8635	4	Fork	35	136-2286-03	1	Mount-Plate, Support
13	100-6116	2	Screw-HHF	36	132-4302	2	Mount-Valve
14	110-5057	4	Capscrew-HHF	37	131-0249	1	On/Off 2-Way Valve Kit
15	108-3745	6	Nut-HHF, Whiz	38	131-0264	1	Agitation Throttling Handle Kit
16	104-8300	6	Nut-HF, NI	38:1	131-0263	1	Screw-Handle
17	3241-7	4	Screw-SQH	39	132-4310	1	Agitation Supply Hose ASM
18	3234-11	4	Screw-HHF	39:2	127-9806	2	Fitting Kit
19	3290-357	4	Nut-HSF	39:2:1	133-0398	1	Pin-Fork
21	120-0628-03	1	Guard-Shaft, Pump	39:3	2412-34	2	Clamp-Hose
22	117-0706	1	HYD Motor ASM	40	130-8202	1	Transducer-Pressure

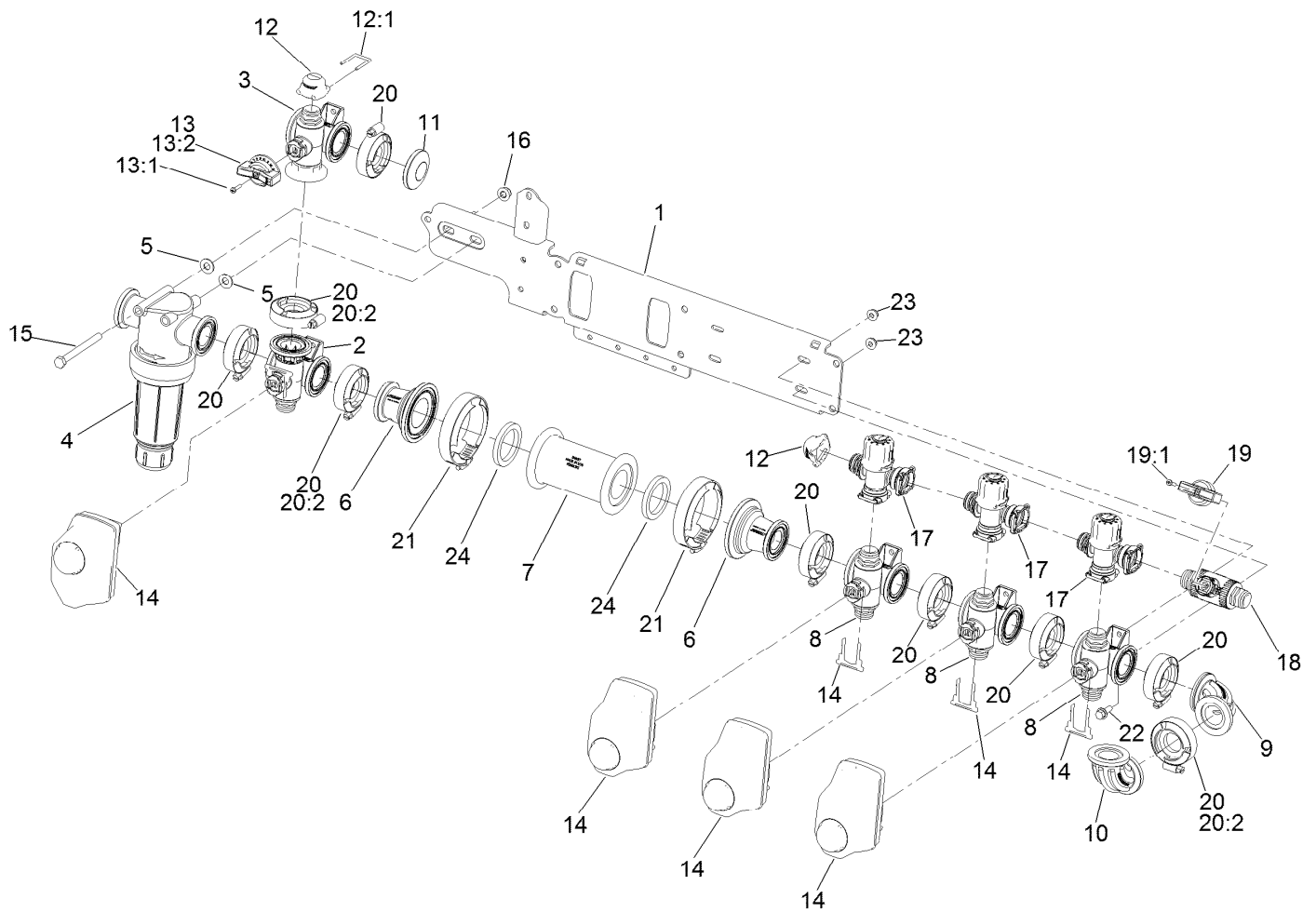
● Not serviced separately



## Spray Pump and Valve Assembly (continued)

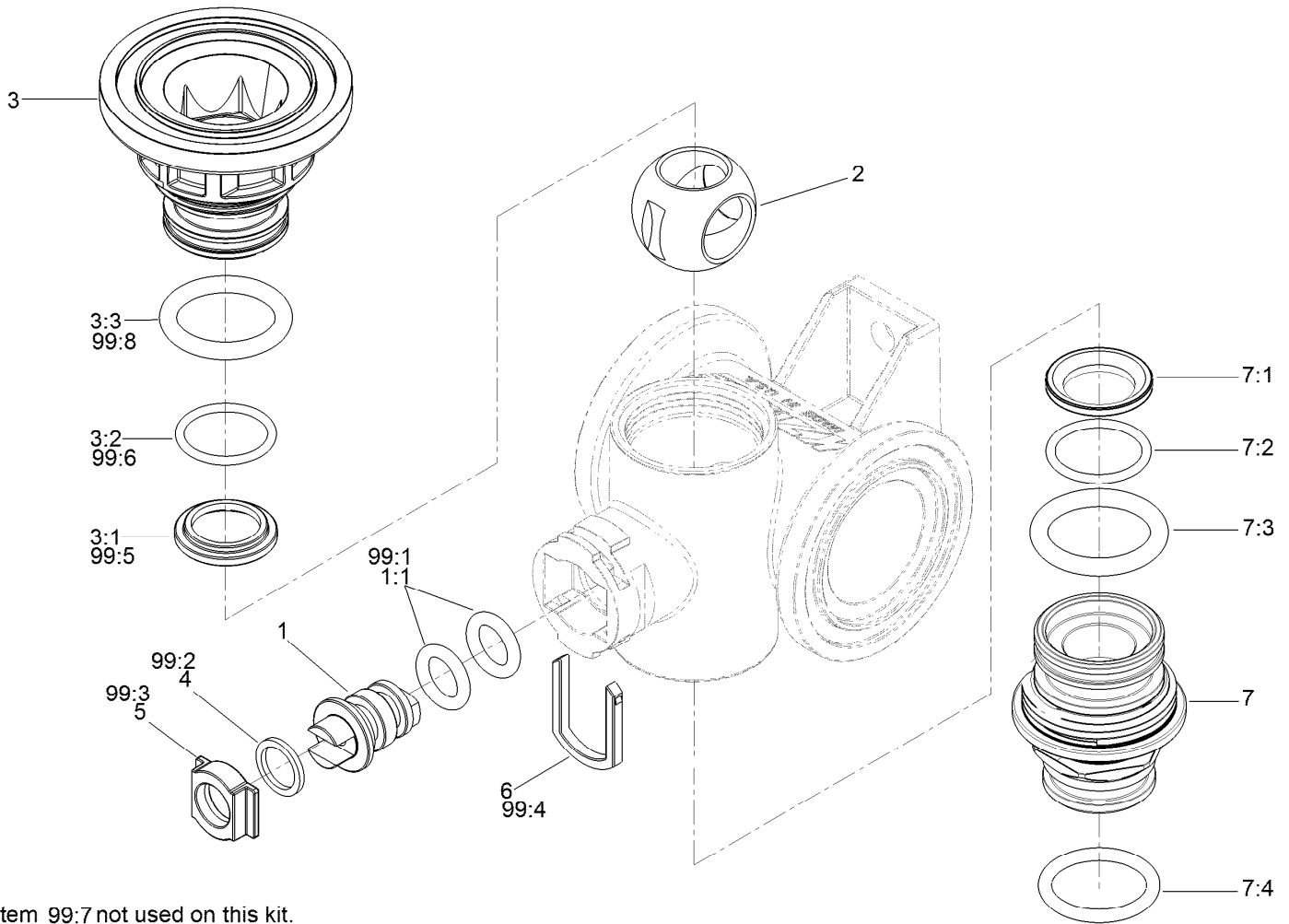
<i>Ref.</i>	<i>Part Number</i>	<i>Qty.</i>	<i>Description</i>	<i>Ref.</i>	<i>Part Number</i>	<i>Qty.</i>	<i>Description</i>
41	127-9829	1	Clamp/Gasket Kit	44	138-6128	1	Flow Meter ASM
41:2	127-1145	1	Gasket-Flange	45	104-8301	2	Nut-HF, NI
43	127-1185	1	Fitting-Cap, Port				

● Not serviced separately



## Spray Manifold Assembly

<i>Ref.</i>	<i>Part Number</i>	<i>Qty.</i>	<i>Description</i>	<i>Ref.</i>	<i>Part Number</i>	<i>Qty.</i>	<i>Description</i>
1	133-2852	1	Mount-Valve	13:1	131-0263	1	Screw-Handle
2	131-7256	1	Manifold Valve Kit	13:2	127-1197	1	O-Ring-Stem
3	131-0253	1	Manifold Valve Kit	14	140-7377	4	Kit-Actuator Pi, On/Off
4	131-3791	1	Filter-Pressure	15	322-22	2	Screw-HH
5	107-0279	1	Washer	16	104-8300	2	Nut-HF, NI
6	127-1144	1	Fitting-Adapter	17	127-9805	3	Bypass Valve ASM
7	131-3739	1	Adapter	18	131-0249	1	On/Off 2-Way Valve Kit
8	127-9803	3	On/Off Manifold Valve Kit	19	131-0267	1	Bypass Handle Kit
9	131-3726	1	Fitting-Elbow, 90 DEG	19:1	131-0263	1	Screw-Handle
10	130-8297	1	Fitting-Elbow, Sweep	20	127-9829	9	Clamp/Gasket Kit
11	127-9815	1	Fitting-Cap	20:2	127-1145	1	Gasket-Flange
12	127-9811	2	Fitting-Cap, Female	21	104-9089	2	Clamp-Screw, Worm
12:1	133-0398	1	Pin-Fork	22	3234-4	8	Screw-HHF
13	131-0265	1	Agitation Regulating Handle Kit	23	104-7201	8	Nut-HF, NI
				24	104-9090	2	Gasket

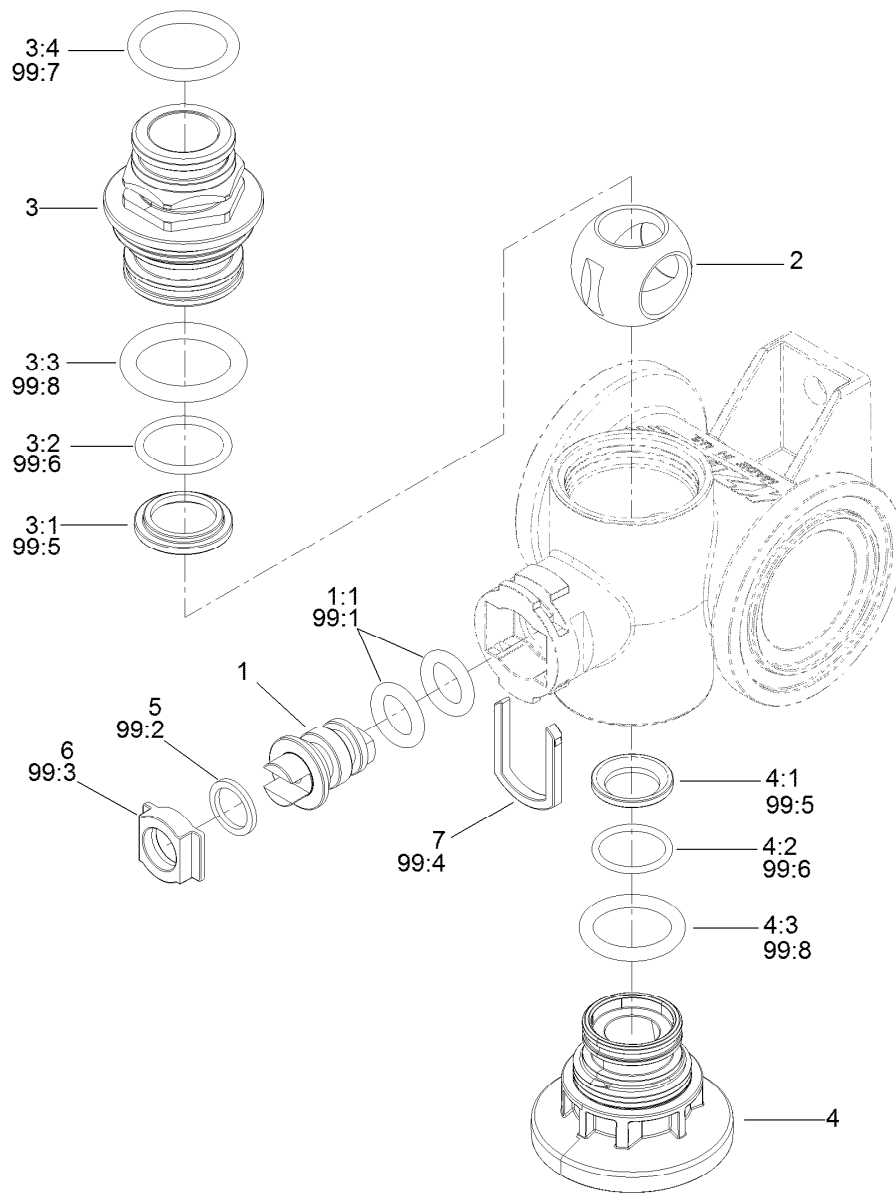


Item 99:7 not used on this kit.

## Manifold Valve Kit No. 131-7256

Ref.	Part Number	Qty.	Description	Ref.	Part Number	Qty.	Description
1	130-8248	1	Valve Stem Kit	7:2	127-1188	1	O-Ring, Seat (Ball)
1:1	127-1197	2	O-Ring-Stem	7:3	127-1189	1	O-Ring, Endcap
2	127-1194	1	Ball-Valve, 3Way	7:4	127-1187	1	O-Ring, Endcap
3	130-8249	1	Endcap Kit	99	130-7304	1	Valve Repair Kit ●
3:1	127-1192	1	Seat-Ball	99:1	127-1197	2	O-Ring-Stem
3:2	127-1188	1	O-Ring, Seat (Ball)	99:2	127-1196	2	Washer-Stem, Valve
3:3	127-1189	1	O-Ring, Endcap	99:3	127-1195	1	Seat-Stem, Valve
4	127-1196	1	Washer-Stem, Valve	99:4	127-1190	1	Fork-Stem, Valve
5	127-1195	1	Seat-Stem, Valve	99:5	127-1192	2	Seat-Ball
6	127-1190	1	Fork-Stem, Valve	99:6	127-1188	2	O-Ring, Seat (Ball)
7	130-7317	1	Endcap Kit	99:7	127-1187	2	O-Ring, Endcap
7:1	127-1192	1	Seat-Ball	99:8	127-1189	2	O-Ring, Endcap

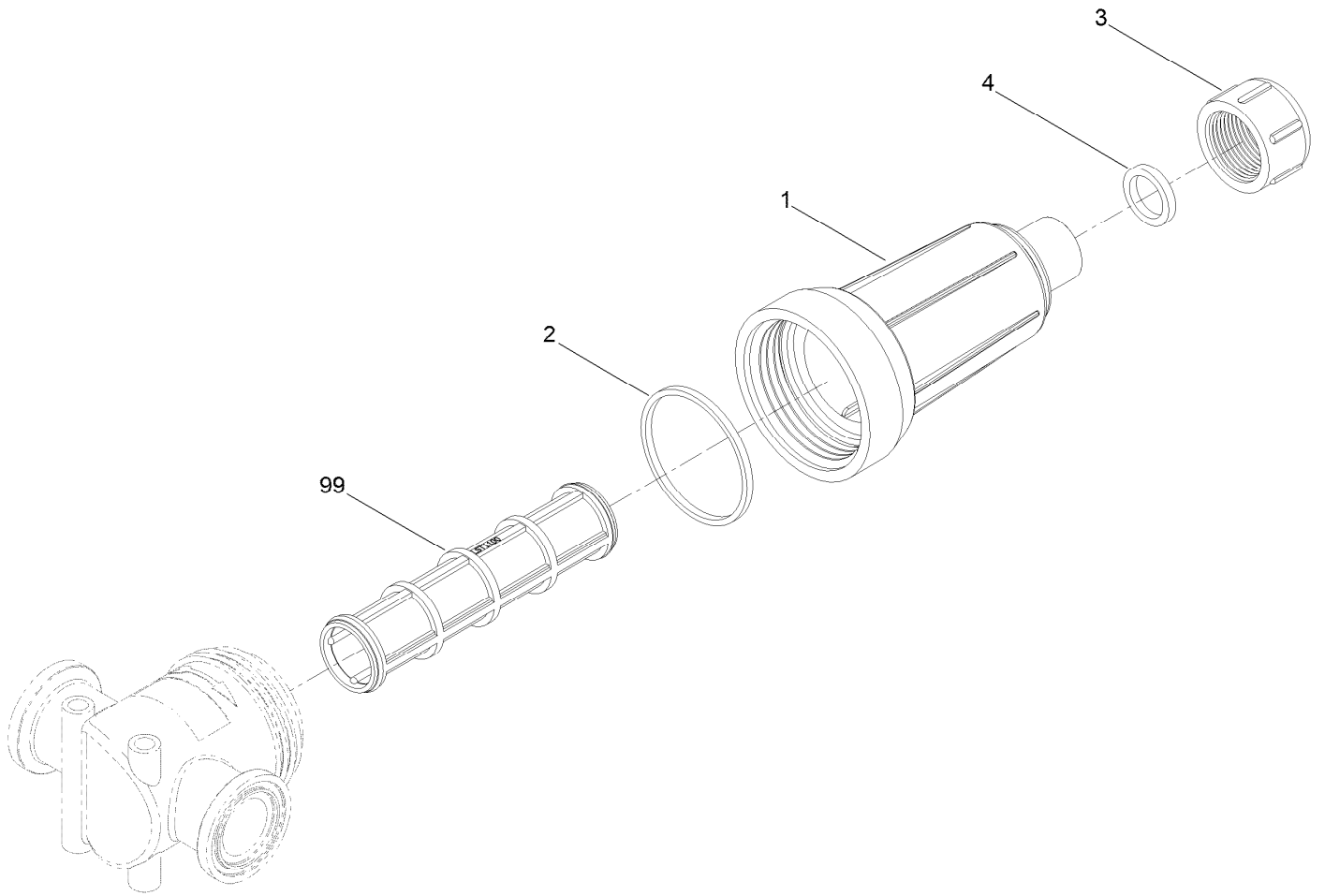
● Not illustrated



## Manifold Valve Kit No. 131-0253

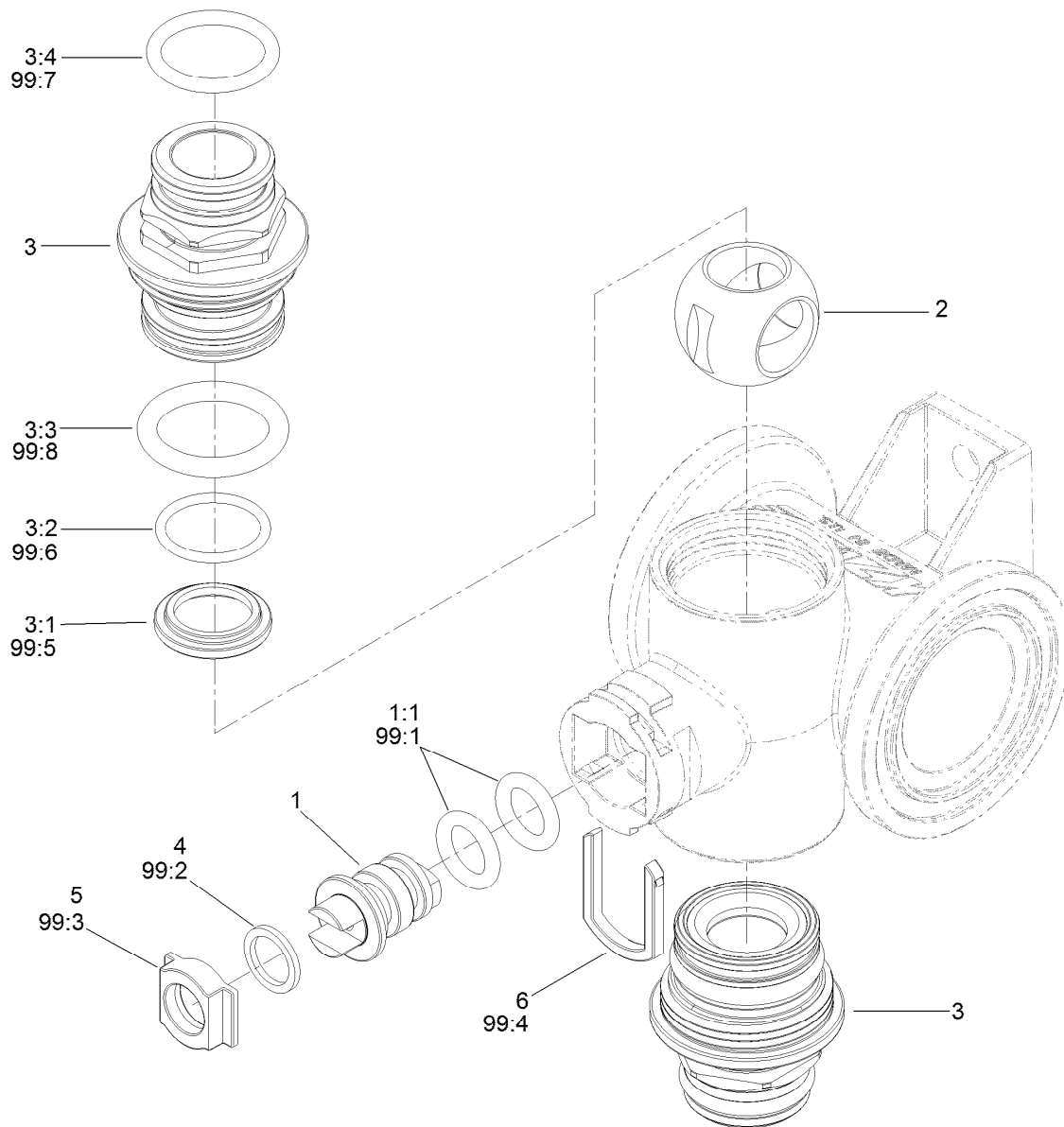
<i>Ref.</i>	<i>Part Number</i>	<i>Qty.</i>	<i>Description</i>	<i>Ref.</i>	<i>Part Number</i>	<i>Qty.</i>	<i>Description</i>
1	130-8248	1	Valve Stem Kit	5	127-1196	1	Washer-Stem, Valve
1:1	127-1197	2	O-Ring-Stem	6	127-1195	1	Seat-Stem, Valve
2	127-1113	1	Ball-V	7	127-1190	1	Fork-Stem, Valve
3	130-7317	1	Endcap Kit	99	130-7304	1	Valve Repair Kit ●
3:1	127-1192	1	Seat-Ball	99:1	127-1197	2	O-Ring-Stem
3:2	127-1188	1	O-Ring, Seat (Ball)	99:2	127-1196	2	Washer-Stem, Valve
3:3	127-1189	1	O-Ring, Endcap	99:3	127-1195	1	Seat-Stem, Valve
3:4	127-1187	1	O-Ring, Endcap	99:4	127-1190	1	Fork-Stem, Valve
4	130-8249	1	Endcap Kit	99:5	127-1192	2	Seat-Ball
4:1	127-1192	1	Seat-Ball	99:6	127-1188	2	O-Ring, Seat (Ball)
4:2	127-1188	1	O-Ring, Seat (Ball)	99:7	127-1187	2	O-Ring, Endcap
4:3	127-1189	1	O-Ring, Endcap	99:8	127-1189	2	O-Ring, Endcap

● Not illustrated



## Pressure Filter Assembly No. 131-3791

<i>Ref.</i>	<i>Part Number</i>	<i>Qty.</i>	<i>Description</i>
1	136-0397	1	Bowl-Strainer
2	136-0398	1	Rubber-Gasket
3	136-0410	1	Strainer Cap
4	136-0399	1	Rubber-Gasket
99	133-0384	1	Screen-Teejet, 30 Mesh
99	133-0385	1	Screen-Teejet, 50 Mesh
99	133-0386	1	Screen-Teejet, 80 Mesh
99	133-0387	1	Screen-Teejet, 100 Mesh

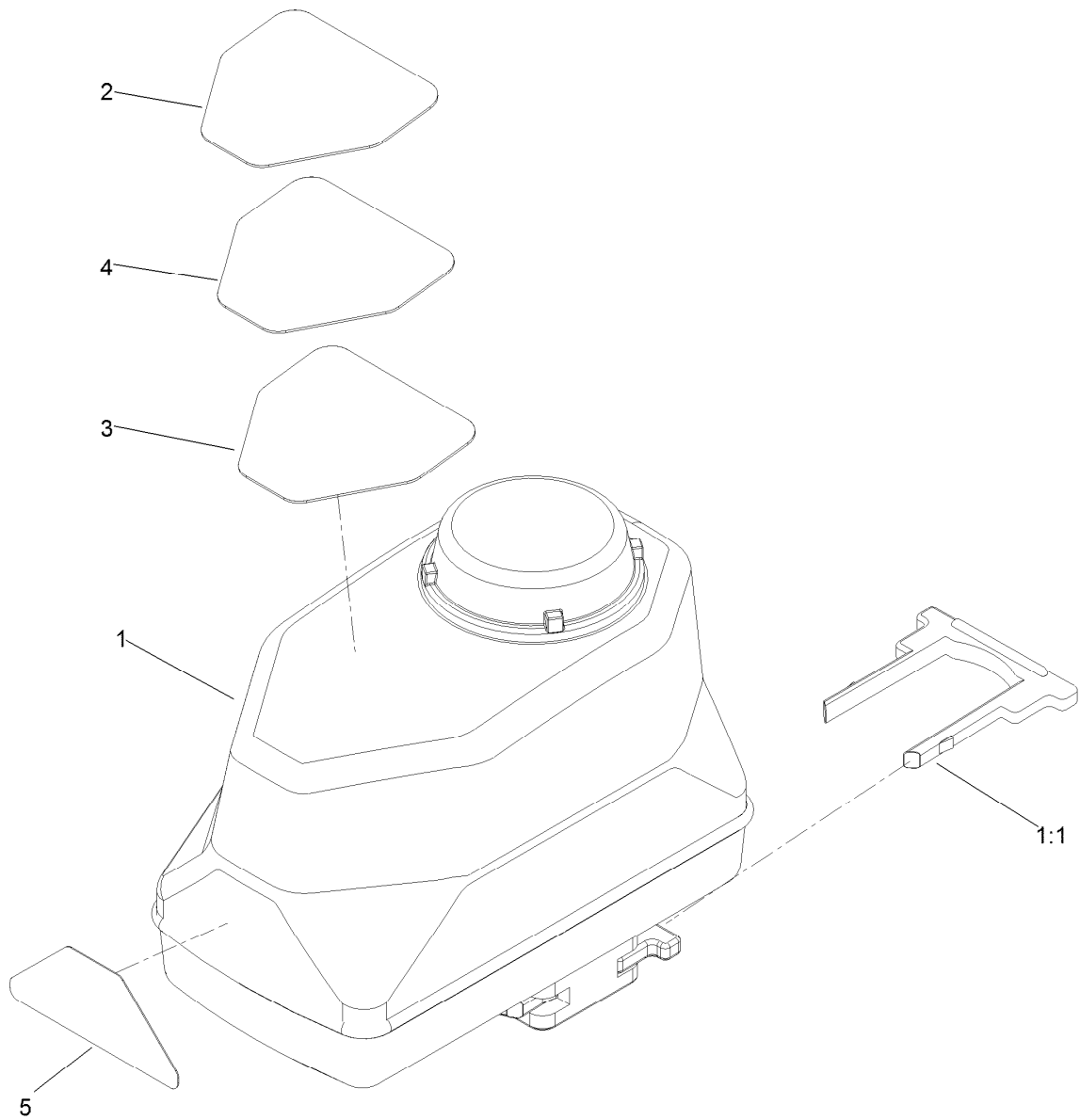


## On/Off Manifold Valve Kit No. 127-9803

<i>Ref.</i>	<i>Part Number</i>	<i>Qty.</i>	<i>Description</i>	<i>Ref.</i>	<i>Part Number</i>	<i>Qty.</i>	<i>Description</i>
1	130-8248	1	Valve Stem Kit	6	127-1190	1	Fork-Stem, Valve
1:1	127-1197	2	O-Ring-Stem	99	130-7304	1	Valve Repair Kit ●
2	127-1194	1	Ball-Valve, 3Way	99:1	127-1197	2	O-Ring-Stem
3	130-7317	2	Endcap Kit	99:2	127-1196	2	Washer-Stem, Valve
3:1	127-1192	1	Seat-Ball	99:3	127-1195	1	Seat-Stem, Valve
3:2	127-1188	1	O-Ring, Seat (Ball)	99:4	127-1190	1	Fork-Stem, Valve
3:3	127-1189	1	O-Ring, Endcap	99:5	127-1192	2	Seat-Ball
3:4	127-1187	1	O-Ring, Endcap	99:6	127-1188	2	O-Ring, Seat (Ball)
4	127-1196	1	Washer-Stem, Valve	99:7	127-1187	2	O-Ring, Endcap
5	127-1195	1	Seat-Stem, Valve	99:8	127-1189	2	O-Ring, Endcap

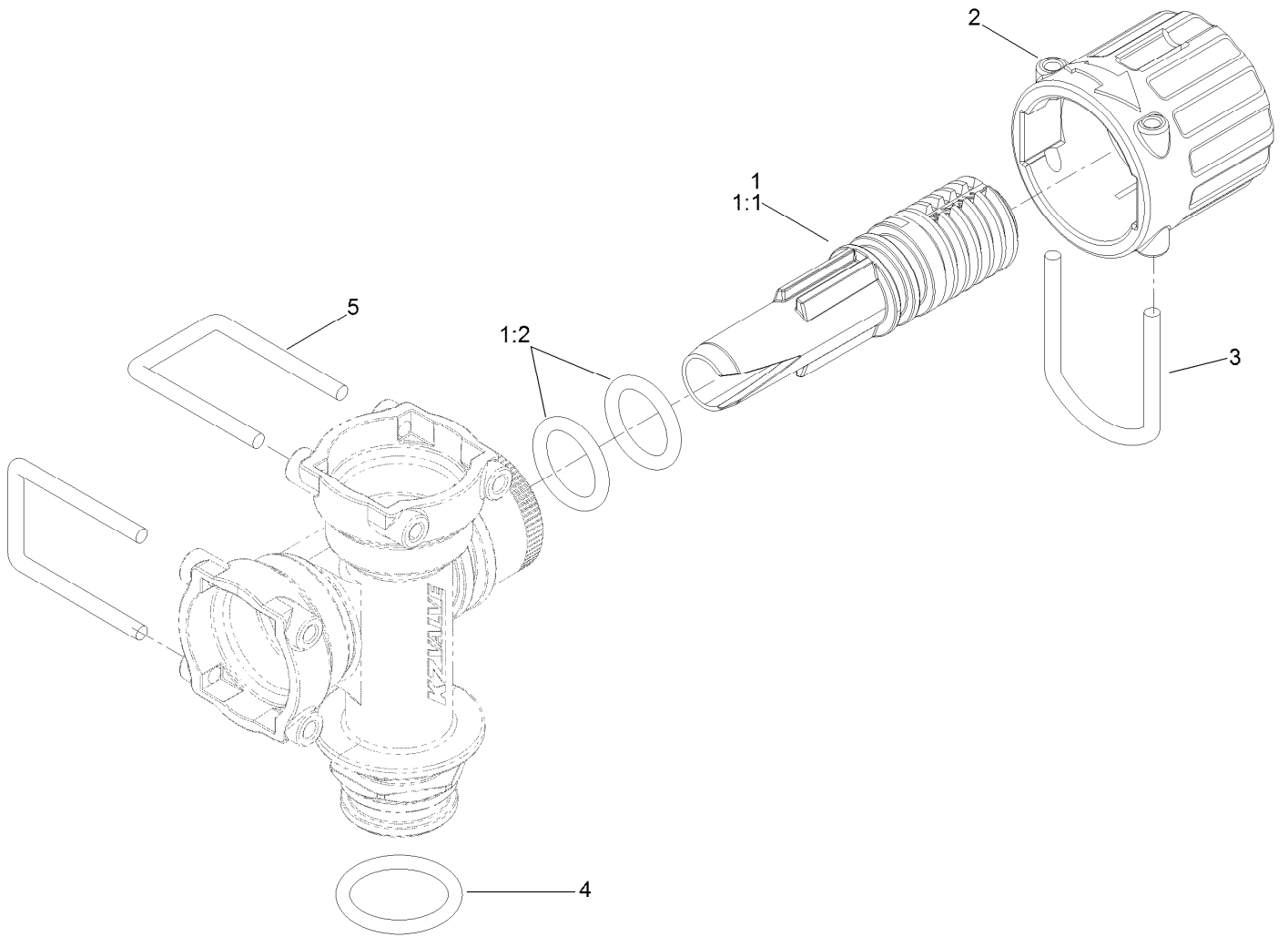
● Not illustrated





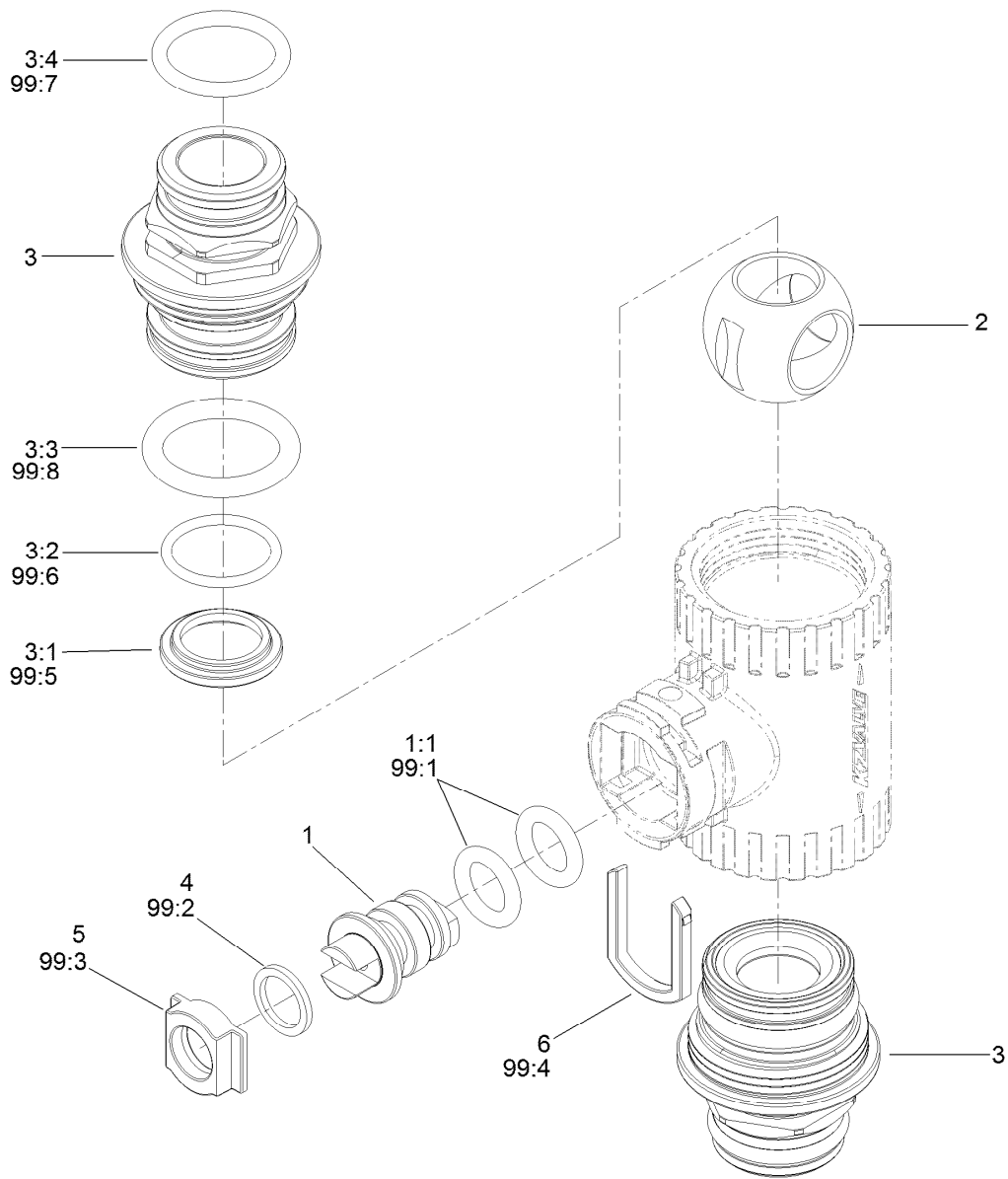
## Actuator On/Off Assembly No. 140-7377

<i>Ref.</i>	<i>Part Number</i>	<i>Qty.</i>	<i>Description</i>
1	140-7315	1	Actuator - On/Off
1:1	130-7301	1	Hairpin-Actuator
2	127-6979	1	Decal-Valve, Agitation
3	127-6981	1	Decal-Valve, On/Off
4	127-6982	1	Decal-Valve, Master Boom
5	127-6976	1	Decal-Valve, Bypass Adjust



## Bypass Valve Assembly No. 127-9805

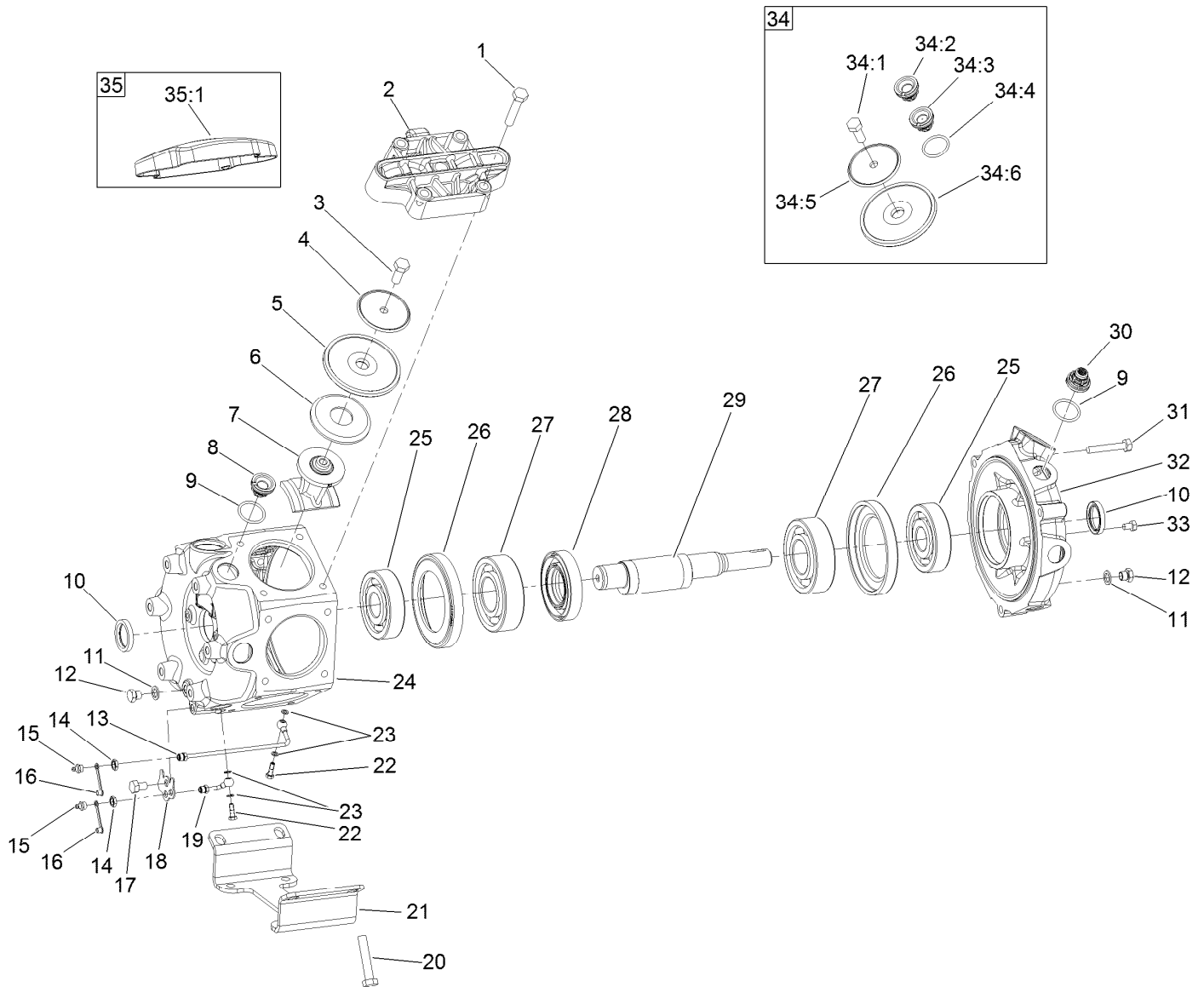
<i>Ref.</i>	<i>Part Number</i>	<i>Qty.</i>	<i>Description</i>
1	131-0298	1	Bypass Needle Kit
1:1	127-1182	1	Needle-Bypass
1:2	127-1181	2	Oring-Bypass Needle
2	127-1180	1	Knob-Bypass
3	127-1179	1	Fork-Bypass Knob
4	127-1187	1	O-Ring, Endcap
5	133-0398	2	Pin-Fork



## On/Off 2-Way Valve Kit No. 131-0249

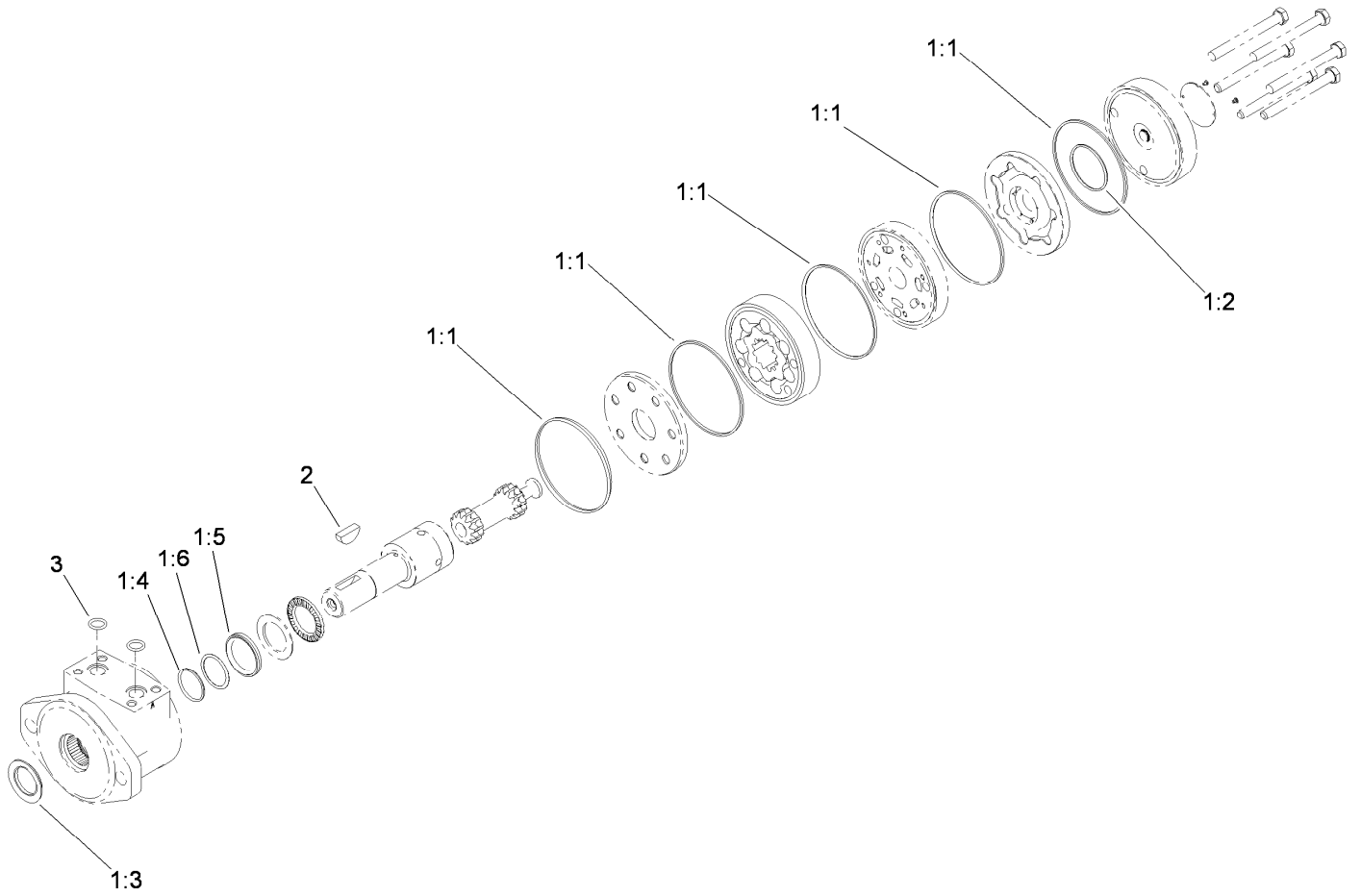
Ref.	Part Number	Qty.	Description	Ref.	Part Number	Qty.	Description
1	130-8248	1	Valve Stem Kit	6	127-1190	1	Fork-Stem, Valve
1:1	127-1197	2	O-Ring-Stem	99	130-7304	1	Valve Repair Kit ●
2	131-0252	1	Ball-2-Way	99:1	127-1197	2	O-Ring-Stem
3	130-7317	2	Endcap Kit	99:2	127-1196	2	Washer-Stem, Valve
3:1	127-1192	1	Seat-Ball	99:3	127-1195	1	Seat-Stem, Valve
3:2	127-1188	1	O-Ring, Seat (Ball)	99:4	127-1190	1	Fork-Stem, Valve
3:3	127-1189	1	O-Ring, Endcap	99:5	127-1192	2	Seat-Ball
3:4	127-1187	1	O-Ring, Endcap	99:6	127-1188	2	O-Ring, Seat (Ball)
4	127-1196	1	Washer-Stem, Valve	99:7	127-1187	2	O-Ring, Endcap
5	127-1195	1	Seat-Stem, Valve	99:8	127-1189	2	O-Ring, Endcap

● Not illustrated



## Pump Assembly No. 137-4230

Ref.	Part Number	Qty.	Description	Ref.	Part Number	Qty.	Description
1	120-0773	20	Bolt-Hex	22	133-2830	2	Bolt-Banjo
2	133-2824	6	Cover-Pump, Hardened	23	136-2251	4	Gasket
3	120-0777	6	Bolt-Hex	24	133-2821	1	Housing-Pump, Main
4	120-0778	6	Disc-Diaphragm	25	120-0788	2	Bearing-Ball
5	120-0779	6	Diaphragm	26	133-2820	2	Spacer-Metal
6	120-0780	6	Disc-Backing, Diaphragm	27	120-0791	2	Bearing-Ball
7	120-0781	6	Rod-Connecting	28	133-2827	1	Distance Ring
8	99-0861	10	Valve-Pump	29	133-2825	1	Shaft-Crank
9	100-6651	12	O-Ring	30	120-0793	2	Valve W/Hole
10	120-0783	2	Seal-Oil	31	120-0794	3	Bolt-Hex
11	120-0786	2	Seal	32	133-2822	1	Housing-Pump, Front
12	120-0785	2	Plug	33	120-0784	4	Bolt-Hex
13	133-2877	1	Tube-Banjo, Long	34	120-0796	1	Pump Kit
14	133-2878	2	Nut	34:1	120-0777	6	Bolt-Hex
15	133-2879	2	Nipple-Grease	34:2	99-0861	10	Valve-Pump
16	133-2880	2	Cap-Grease Nipple, Yellow	34:3	120-0793	2	Valve W/Hole
17	136-2252	1	Bolt-Hex	34:4	100-6651	12	O-Ring
18	133-2875	1	Plate-Nipple, Grease	34:5	120-0778	6	Disc-Diaphragm
19	133-2876	1	Tube-Banjo, Short	34:6	120-0779	6	Diaphragm
20	120-0774	4	Bolt-Hex	35	133-2898	1	Pump Head Kit
21	120-0787	1	Foot-Pump	35:1	133-2824	6	Cover-Pump, Hardened

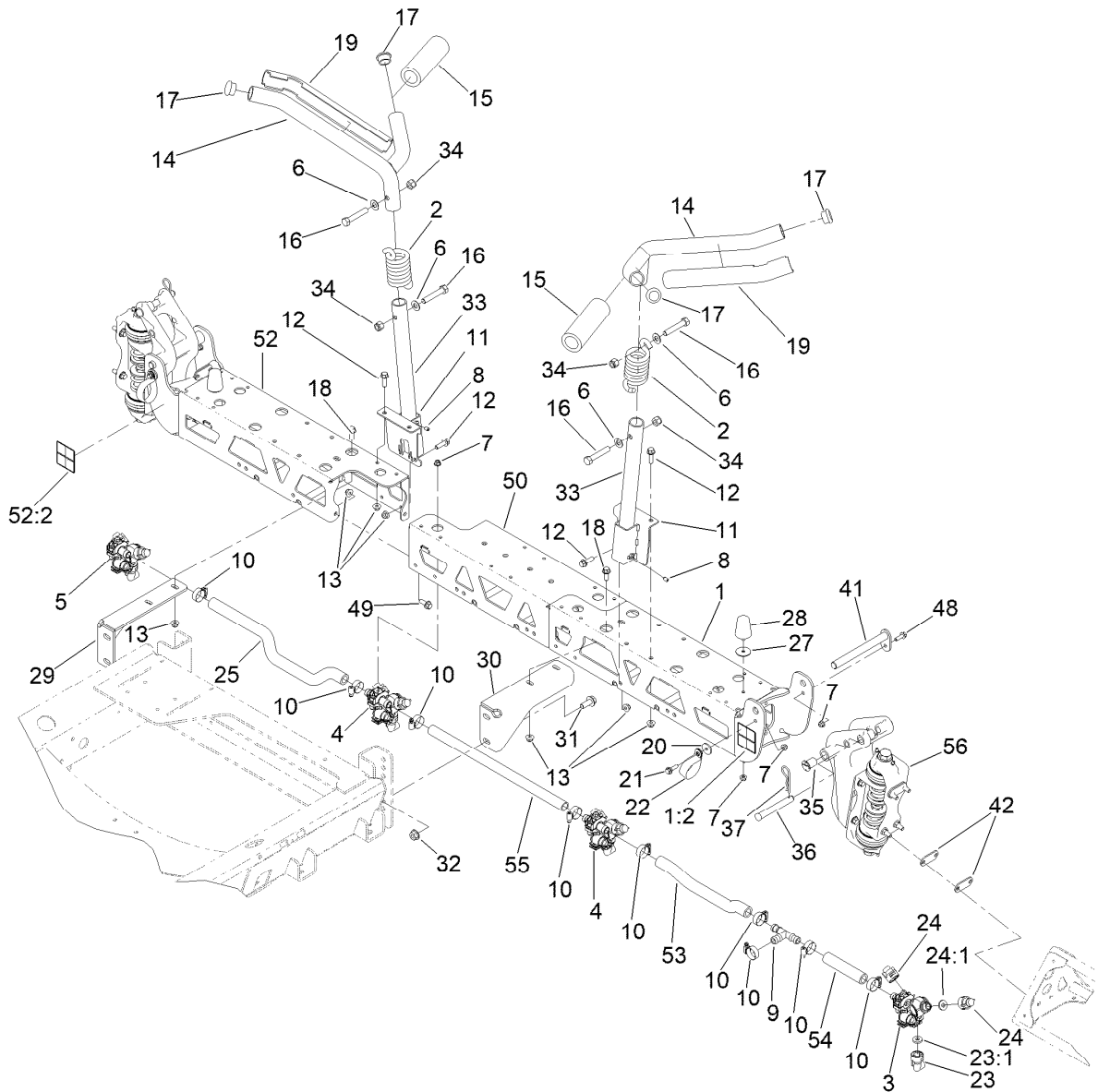


## Hydraulic Motor Assembly No. 117-0706

<i>Ref.</i>	<i>Part Number</i>	<i>Qty.</i>	<i>Description</i>
1	119-0433	1	Wheel Motor Seal Kit ●
1:1		5	Seal-Ring ■
1:2		1	Seal-Commutator ■
1:3		1	Seal-Dirt And Water ■
1:4		1	Ring-Backing ■
1:5		1	Seal-Shaft ■
1:6		1	Washer-Backup ■
2	3257-8	1	Key-Woodruff
3	120-0691	2	O-Ring

● Not illustrated

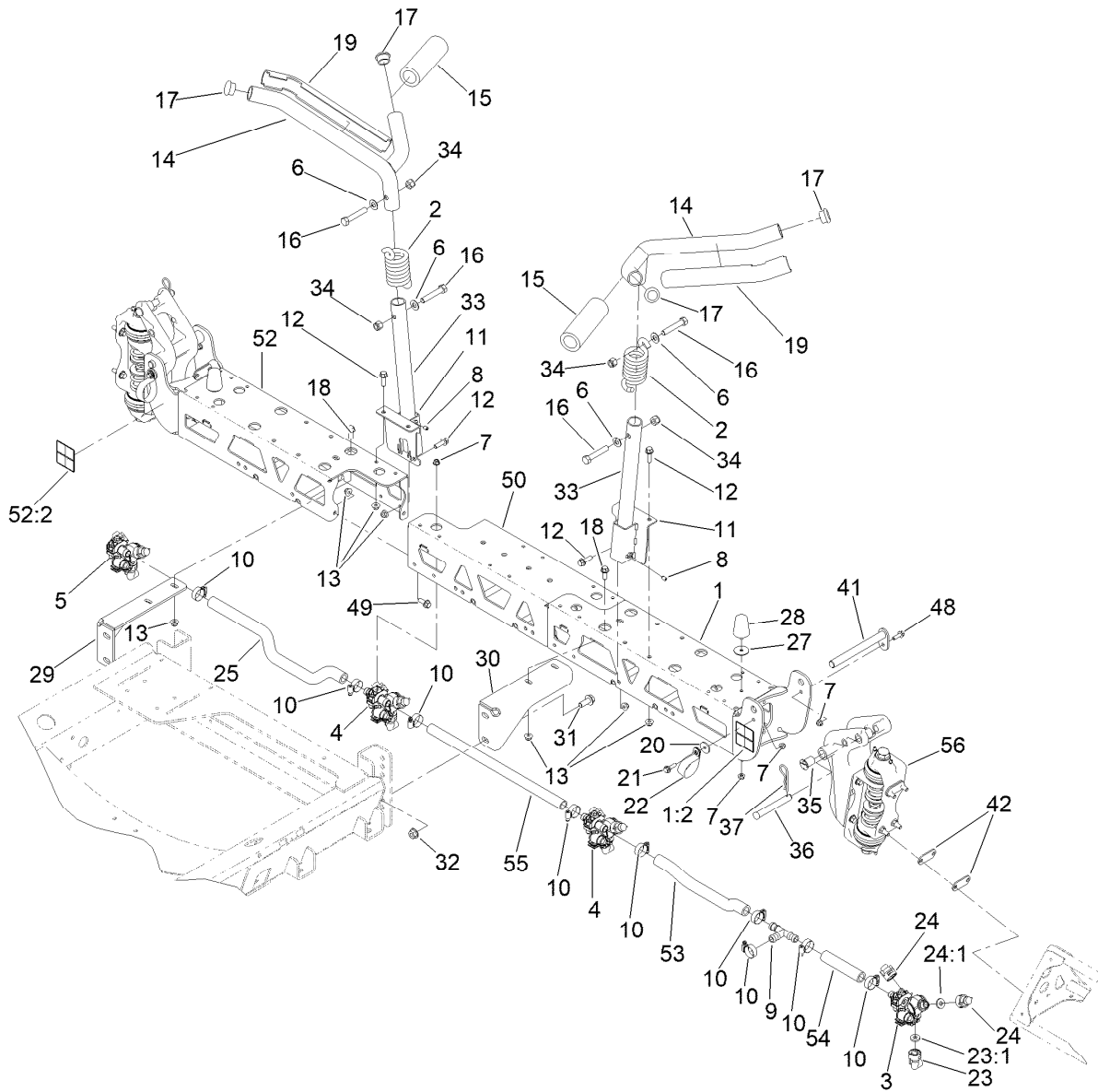
■ Not serviced separately



## Center Boom Assembly

Ref.	Part Number	Qty.	Description	Ref.	Part Number	Qty.	Description
1	136-0381	1	Boom-LH	17	108-3489	4	Cap-Tube
1:2	120-0617	2	Decal-Warning, Pinch, Crush	18	110-5052	4	Screw-HHF
2	144-6199	2	Spring-Extension	19	108-3495	2	Cover-Slide
3	108-3725	1	LH Single Body Turret ASM	20	108-3743	2	Washer
4	108-3727	2	Double Turret Body ASM	21	108-3744	2	Screw-Shoulder
5	108-3726	1	RH Single Body Turret ASM	22	114-9566	2	Clamp-R
6	110-6894	4	Washer-Pivot	23	95-9186	4	Cap
7	104-8300	10	Nut-HF, NI	23:1	40998	1	Seat-Gasket
8	3246-4	4	Screw-Set	24	95-9187	8	Cap-Blank
9	108-3439	1	Tee	24:1	40998	1	Seat-Gasket
10	2412-129	9	Clamp-Hose	25	108-3735	1	Hose-Boom, Center (LH)
11	144-6198-03	2	Cradle-ASM, Lower [black]	27	3256-68	2	Washer-Flat
12	110-5050	6	Screw-HHF	28	110-5070	2	Bumper
13	104-8301	30	Nut-HF, NI	29	127-8955-03	1	Mount-Boom
14	140-6355	2	Cradle ASM-Upper	30	127-8956-03	1	Mount-Boom
15	108-3457	2	Spacer	31	110-5057	4	Capscrew-HHF
16	3213-8	4	Screw-HH	32	108-3745	4	Nut-HHF, Whiz
				33	144-6201-03	2	Tube-Lower Cradle

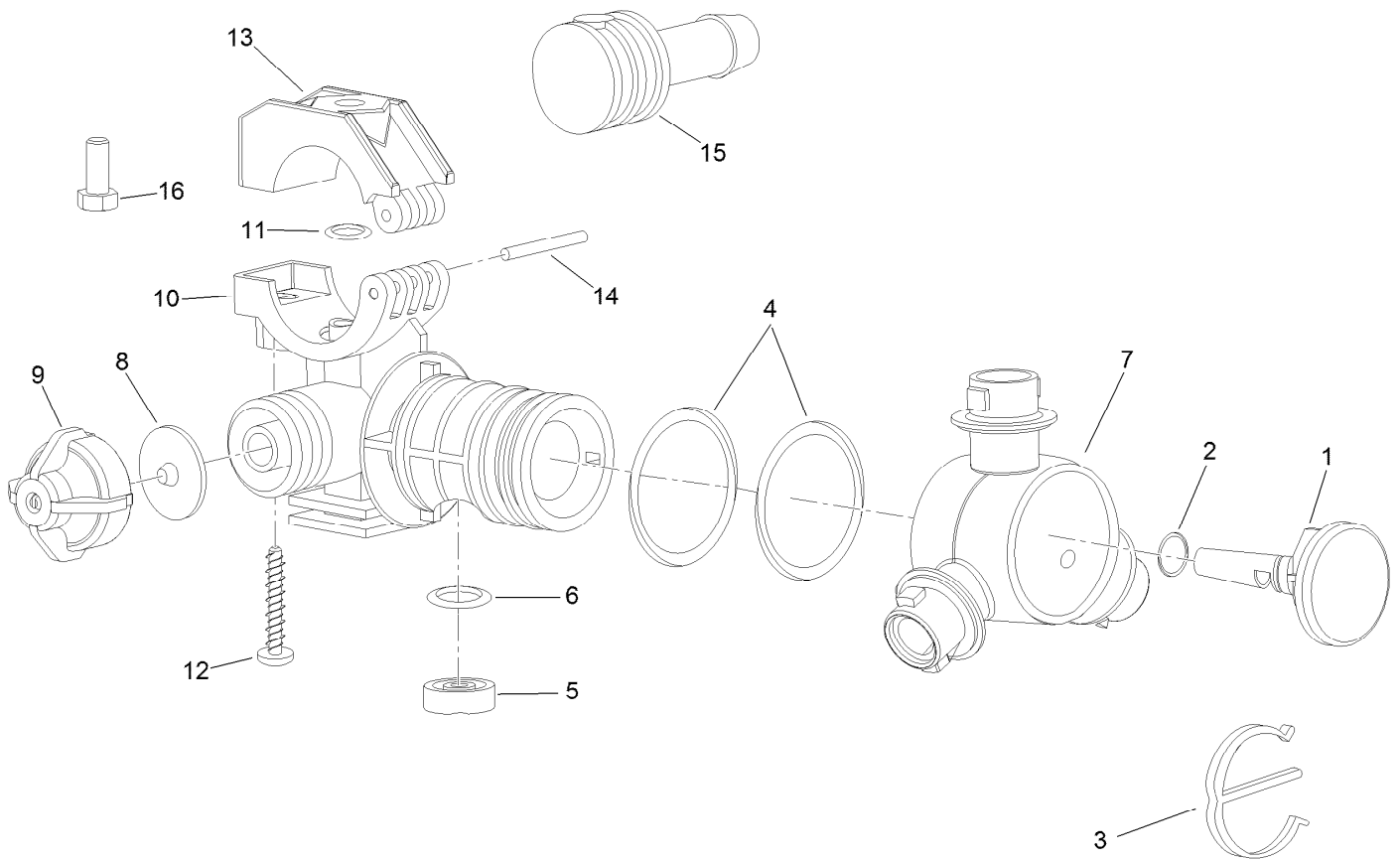
● Not serviced separately



## Center Boom Assembly (continued)

Ref.	Part Number	Qty.	Description	Ref.	Part Number	Qty.	Description
34	3296-19	4	Nut-Hex	50	133-0412-03	1	Center-Center, Boom
35	100-8541	4	Bushing-A Arm	52	136-0382	1	Boom-RH
36	108-3436	2	Pin-Clevis	52:2	120-0617	2	Decal-Warning, Pinch, Crush
37	3290-468	2	Pin-Cotter	53	136-0438	1	Hose-Formed
41	108-3419	2	Pivot Pin ASM	54	108-3728	1	Hose-Boom
42	108-3605	8	Plate-Backing	55	40506	1	Hose-Jumper
48	108-3748	2	Screw-HHF	56		2	Pivot Bracket Assembly ●
49	3234-42	4	Screw-HHF				

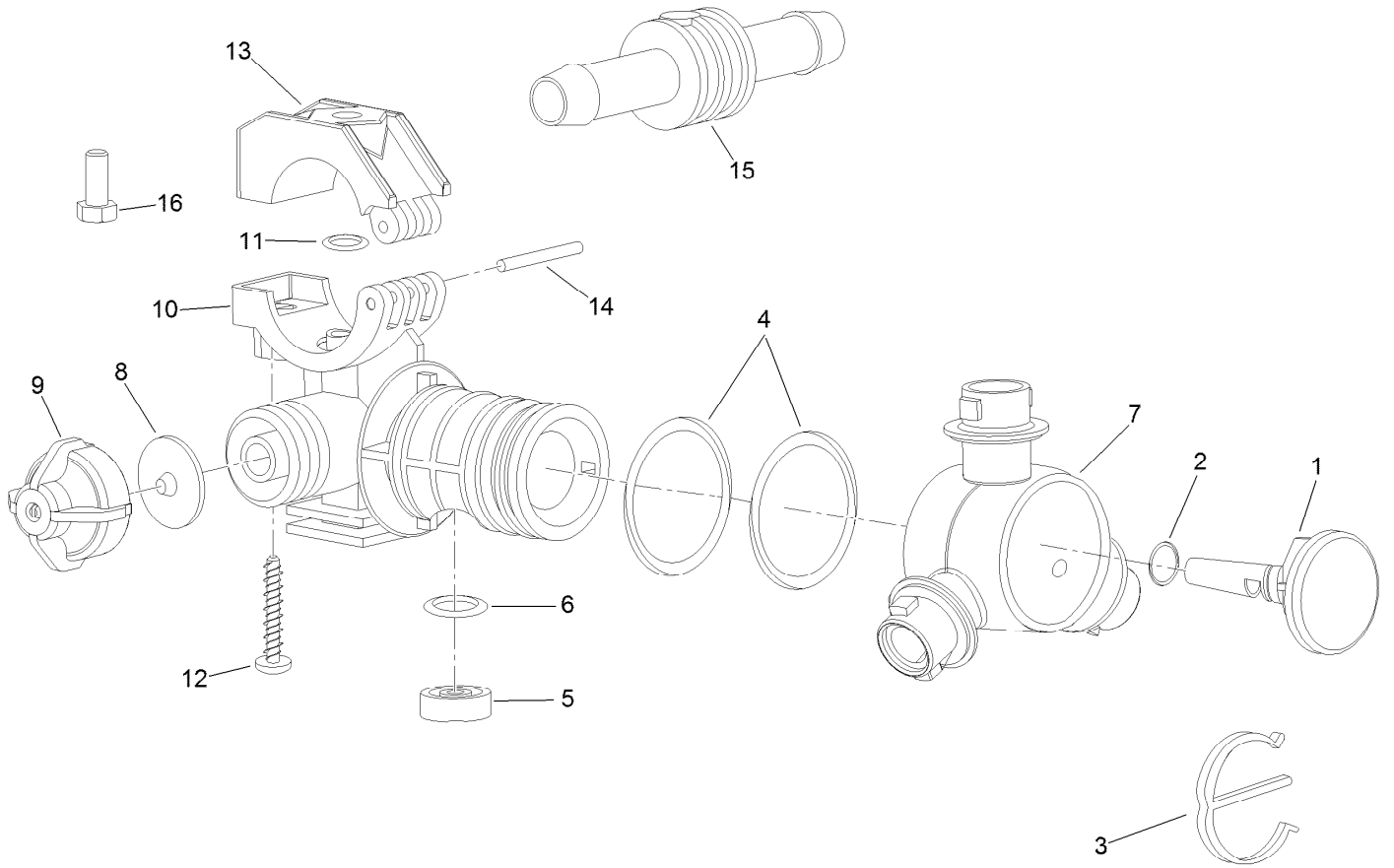
● Not serviced separately



## LH Single Turret Body Assembly No. 108-3725

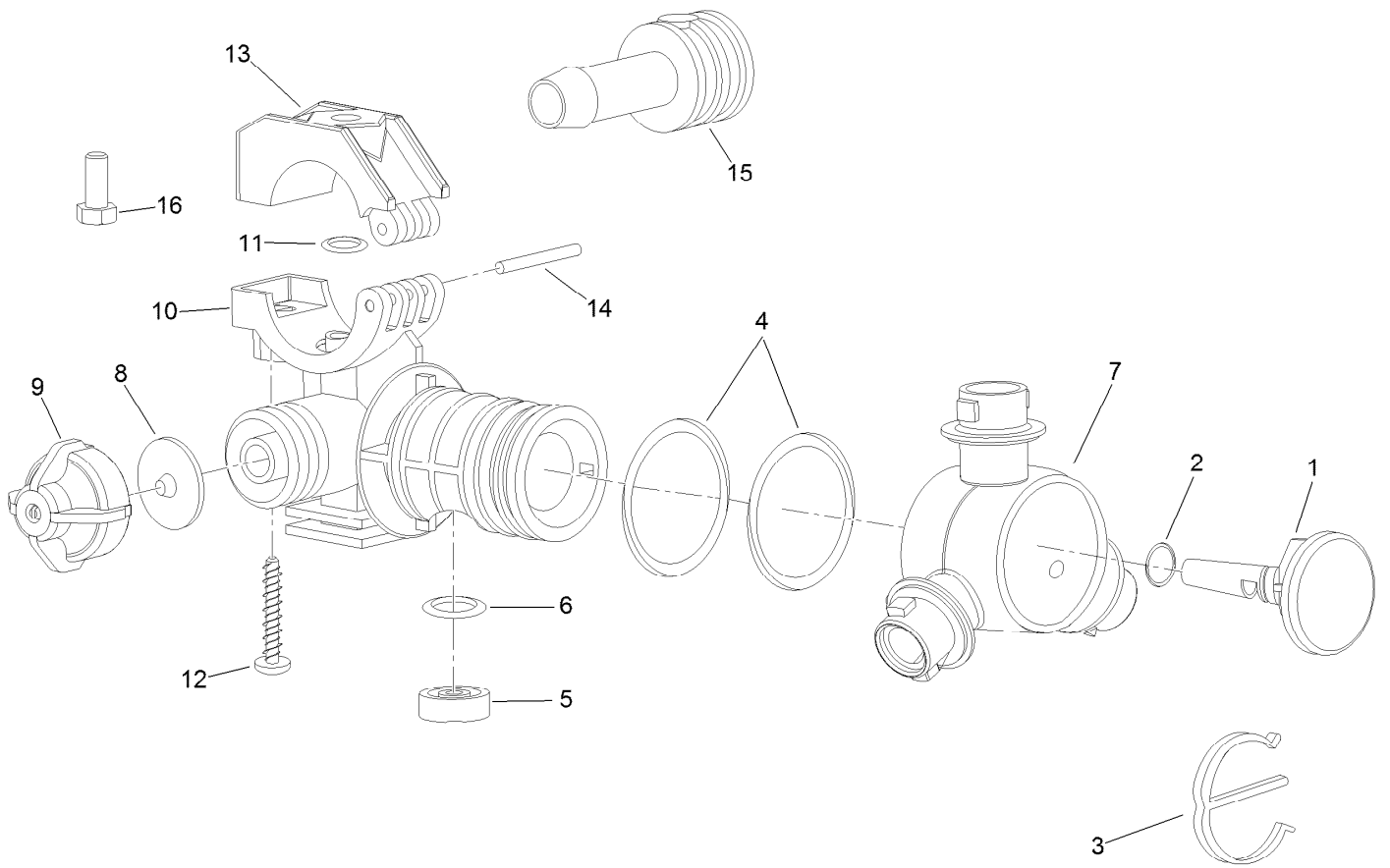
<i>Ref.</i>	<i>Part Number</i>	<i>Qty.</i>	<i>Description</i>	<i>Ref.</i>	<i>Part Number</i>	<i>Qty.</i>	<i>Description</i>
1	95-9200	1	Plug	9	95-9193	1	Cap-Diaphragm
2	95-9198	1	O-Ring	10	95-9192	1	Body-Split Eyelet
3	95-9197	1	E-Clip	11	95-9191	1	O-Ring
4	95-9199	2	O-Ring	12	99-0811	1	Screw-Clamp
5	108-3264	1	Seal-Viton	13	99-0812	1	Clamp-Upper
6	108-3265	1	O-Ring-Viton	14	99-0814	1	Pin-Pivot
7	95-9196	1	Turret	15	95-9201	1	Shank-Hose
8	41003	1	Diaphragm	16	322-3	1	Screw-HH





## Double Turret Body Assembly No. 108-3727

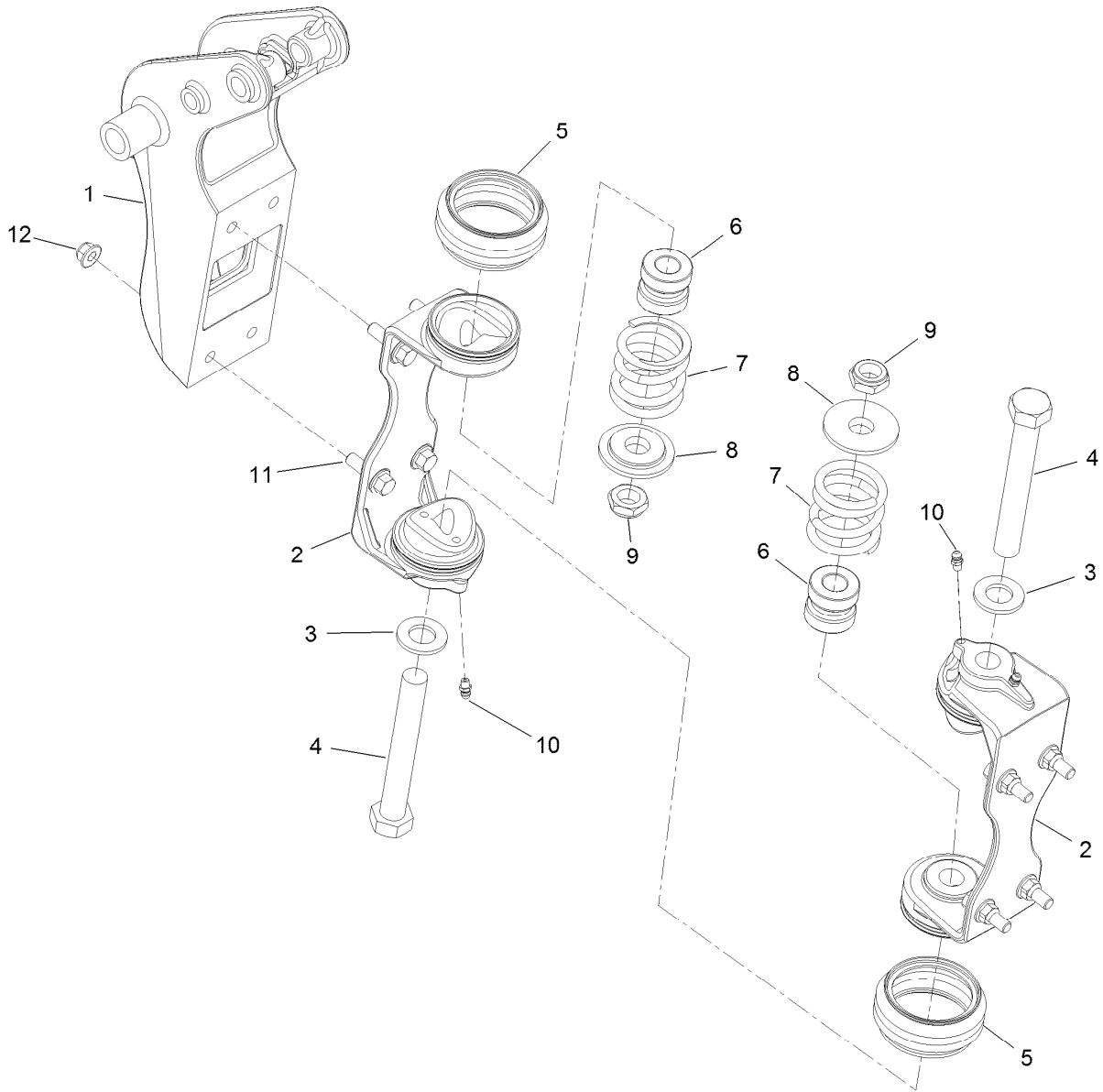
<i>Ref.</i>	<i>Part Number</i>	<i>Qty.</i>	<i>Description</i>	<i>Ref.</i>	<i>Part Number</i>	<i>Qty.</i>	<i>Description</i>
1	95-9200	1	Plug	9	95-9193	1	Cap-Diaphragm
2	95-9198	1	O-Ring	10	95-9192	1	Body-Split Eyelet
3	95-9197	1	E-Clip	11	95-9191	1	O-Ring
4	95-9199	2	O-Ring	12	99-0811	1	Screw-Clamp
5	108-3264	1	Seal-Viton	13	99-0812	1	Clamp-Upper
6	108-3265	1	O-Ring-Viton	14	99-0814	1	Pin-Pivot
7	95-9196	1	Turret	15	95-9202	1	Shank-Hose
8	41003	1	Diaphragm	16	322-3	1	Screw-HH



## RH Single Body Turret Assembly No. 108-3726

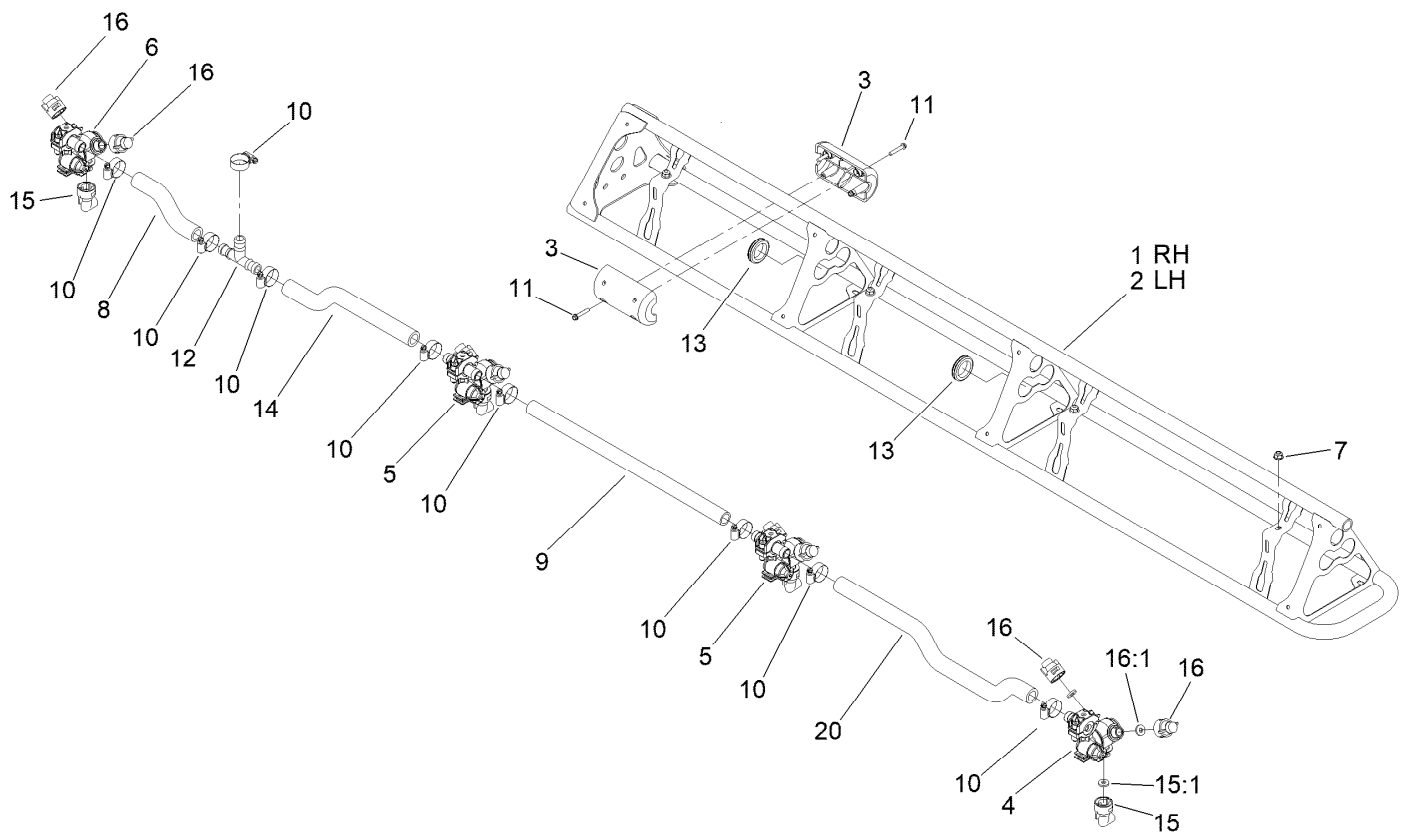
<i>Ref.</i>	<i>Part Number</i>	<i>Qty.</i>	<i>Description</i>
1	95-9200	1	Plug
2	95-9198	1	O-Ring
3	95-9197	1	E-Clip
4	95-9199	2	O-Ring
5	108-3264	1	Seal-Viton
6	108-3265	1	O-Ring-Viton
7	95-9196	1	Turret
8	41003	1	Diaphragm

<i>Ref.</i>	<i>Part Number</i>	<i>Qty.</i>	<i>Description</i>
9	95-9193	1	Cap-Diaphragm
10	95-9192	1	Body-Split Eyelet
11	95-9191	1	O-Ring
12	99-0811	1	Screw-Clamp
13	99-0812	1	Clamp-Upper
14	99-0814	1	Pin-Pivot
15	95-9201	1	Shank-Hose
16	322-3	1	Screw-HH



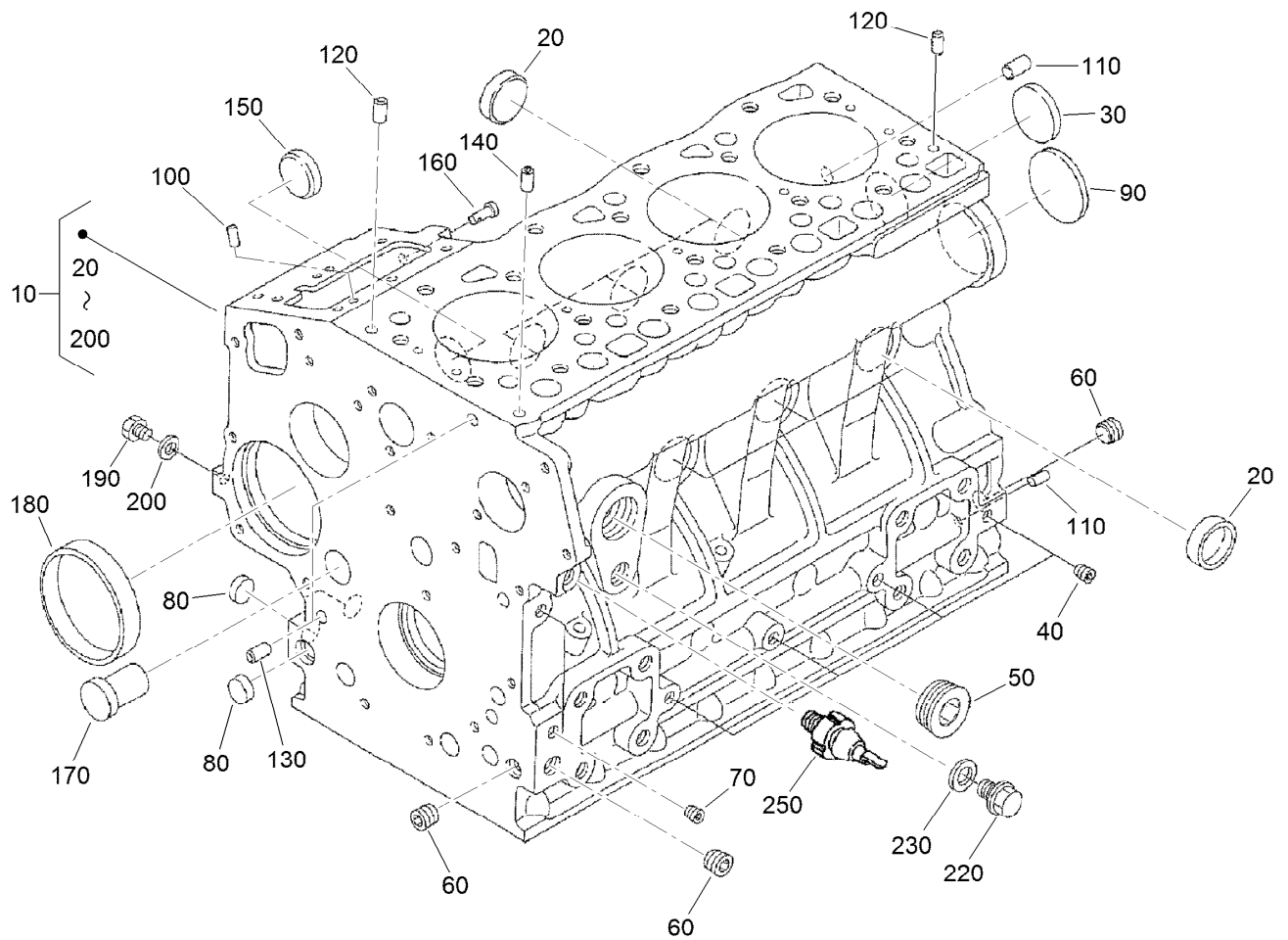
## Boom Pivot Assembly

<i>Ref.</i>	<i>Part Number</i>	<i>Qty.</i>	<i>Description</i>
1	137-1673	1	Bracket-Pivot
2	137-1674	2	Hinge
3	110-5054	2	Washer-Flat
4	108-3738	2	Screw-HH
5	108-3459	2	Boot-Hinge
6	120-8541	2	Dampener-Hinge
7	108-3440	2	Spring-Breakaway, Boom
8	108-3444	2	Retainer-Spring
9	3296-15	2	Nut-Lock, NI
10	302-5	4	Fitting-Grease
11	110-5050	8	Screw-HHF
12	104-8301	8	Nut-HF, NI



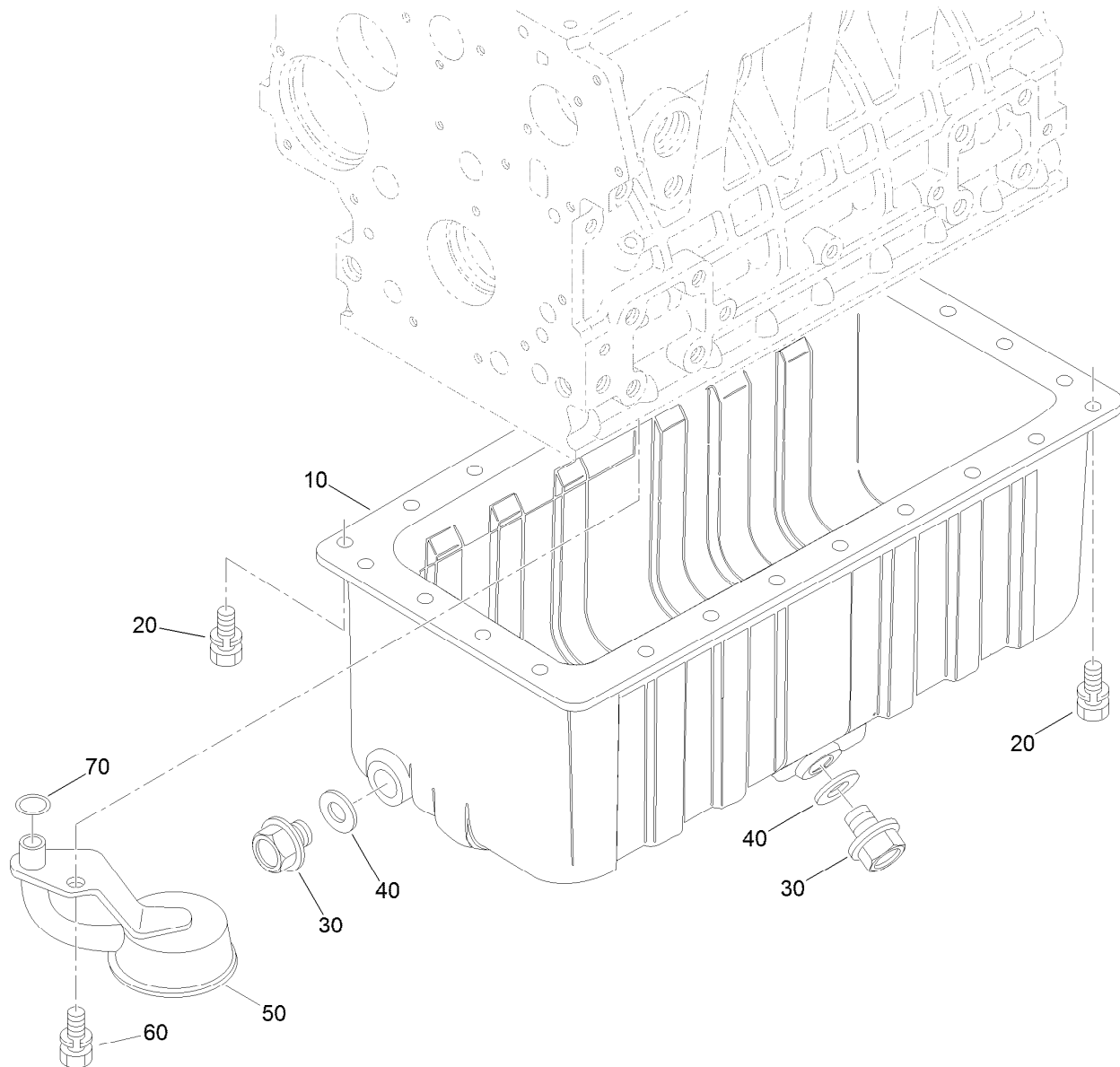
## Left and Right Hand Boom Assembly

<i>Ref.</i>	<i>Part Number</i>	<i>Qty.</i>	<i>Description</i>	<i>Ref.</i>	<i>Part Number</i>	<i>Qty.</i>	<i>Description</i>
1	108-3524-03	1	Boom-RH	11	119-9369	8	Screw-HHF
2	108-3525-03	1	Boom-LH	12	108-3439	2	Tee
3	119-9368	4	Block Slide	13	240-3	4	Grommet-Rubber
4	108-3725	2	LH Single Body Turret ASM	14	136-0436	2	Hose-Formed
5	108-3727	4	Double Turret Body ASM	15	95-9186	8	Cap
6	108-3726	2	RH Single Body Turret ASM	15:1	40998	1	Seat-Gasket
7	104-8300	8	Nut-HF, NI	16	95-9187	16	Cap-Blank
8	136-0437	2	Hose-Formed	16:1	40998	1	Seat-Gasket
9	40506	2	Hose-Jumper	20	108-3735	2	Hose-Boom, Center (LH)
10	2412-129	18	Clamp-Hose				



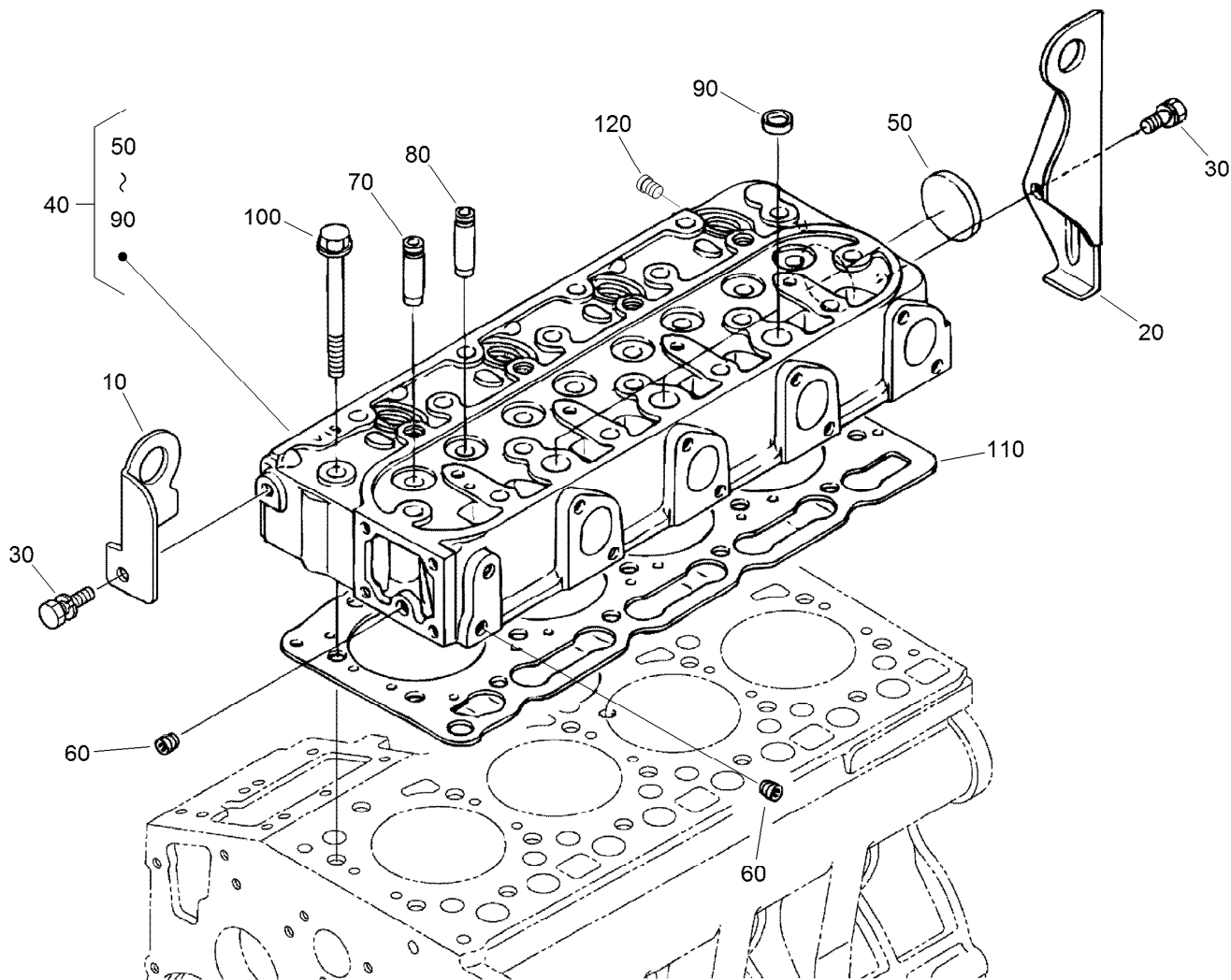
## Crankcase Assembly

<i>Ref.</i>	<i>Part Number</i>	<i>Qty.</i>	<i>Description</i>	<i>Ref.</i>	<i>Part Number</i>	<i>Qty.</i>	<i>Description</i>
10	115-4109	1	*obs* Crankcase ASM	130	98-9387	2	Pin-Pipe
20	98-9398	6	Cap-Sealing	140	98-9539	1	Pin-Pipe
30	98-7539	1	Cap-Sealing	150	98-9599	1	Plug
40	98-9687	4	Plug	160	105-3796	1	Pin-Spring, Start
50	105-3779	1	Plug	170	98-9675	1	Plug
60	98-9597	3	Plug	180	98-9656	1	Bushing-Governor, Gear
70	98-7487	2	Plug	190	98-7507	1	Plug
80	98-9379	3	Plug-Expansion	200	98-7428	1	Gasket
90	98-9668	1	Plug-Expansion	220	99-3447	1	Plug
100	98-9375	2	Pin-Straight	230	106-7056	1	Gasket
110	98-9377	2	Pin-Straight	250	98-9416	1	Switch-Oil
120	98-9376	2	Pin-Straight				



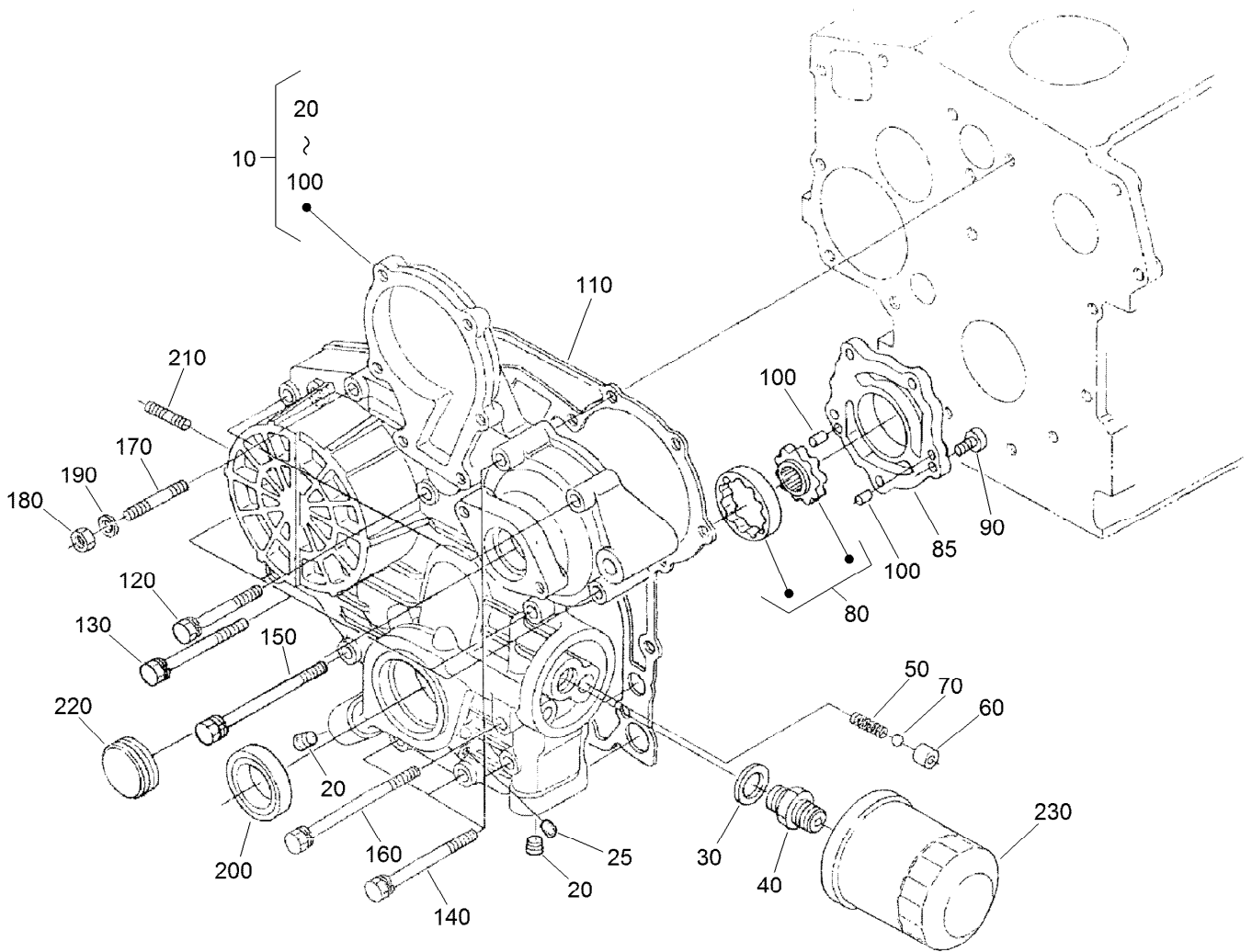
## Oil Pan Assembly

<i>Ref.</i>	<i>Part Number</i>	<i>Qty.</i>	<i>Description</i>
10	108-2852	1	Oil Pan ASM
20	98-9351	26	Bolt
30	114-8151	2	Plug-Drain
40	98-7524	2	Gasket
50	112-7003	1	Head-Filter, Oil
60	98-7526	1	Bolt
70	105-3776	1	O-Ring



## Cylinder Head Assembly

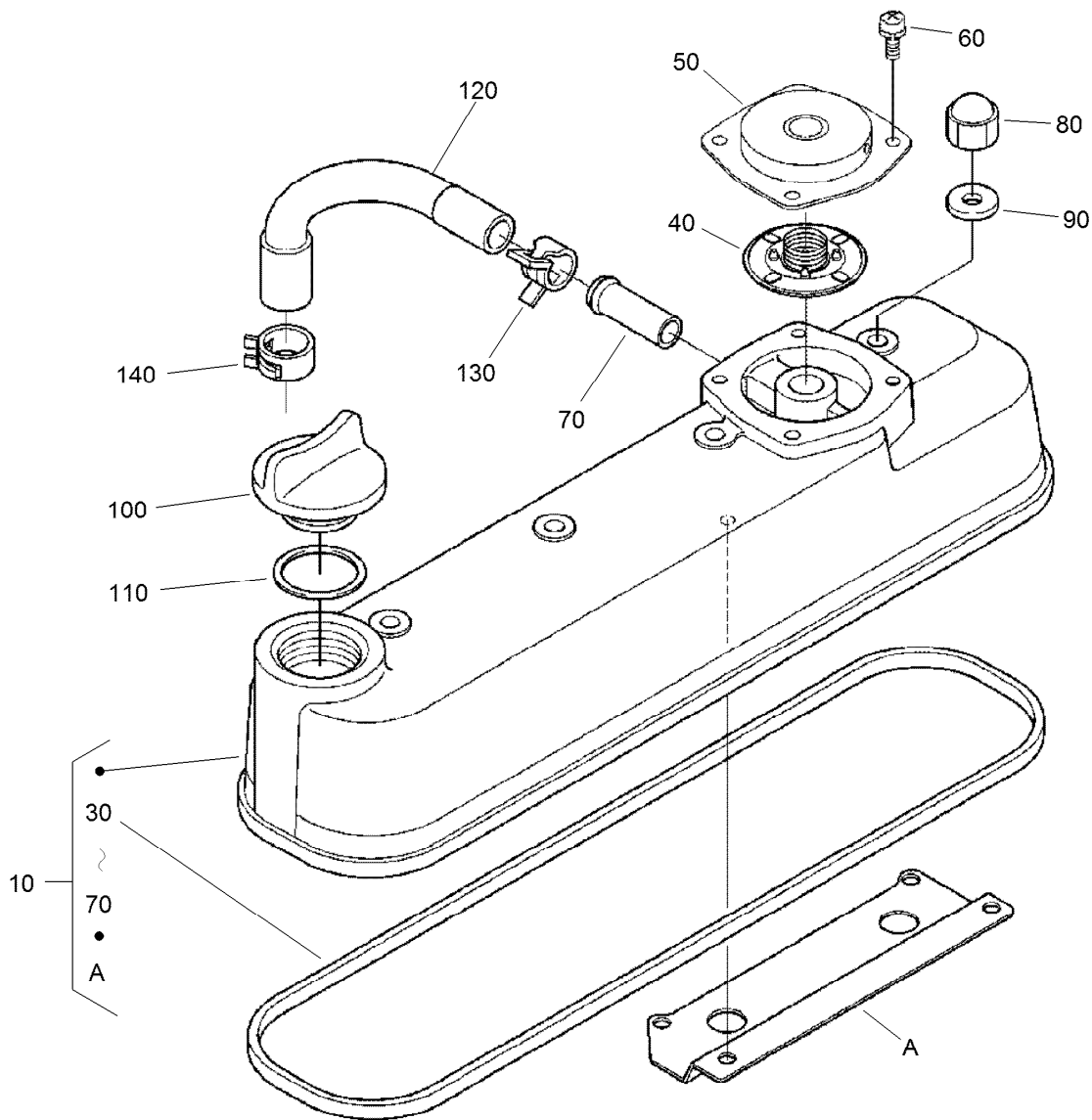
<i>Ref.</i>	<i>Part Number</i>	<i>Qty.</i>	<i>Description</i>
10	98-9477	1	Hook-Engine
20	98-9478	1	Hook-Engine
30	100-9195	2	Bolt
40	115-3012	1	Cylinder Head ASM
50	105-3705	1	Cap-Sealing
60	98-9687	2	Plug
70	107-9066	4	Guide-Valve, Inlet
80	107-9067	4	Guide-Valve, Exhaust
90	98-9389	3	Cap-Sealing
100	98-9479	18	Bolt-Head, Cylinder
110	108-2855	1	Gasket-Head, Cylinder
120	98-9444	1	Plug



## Gear Case Assembly

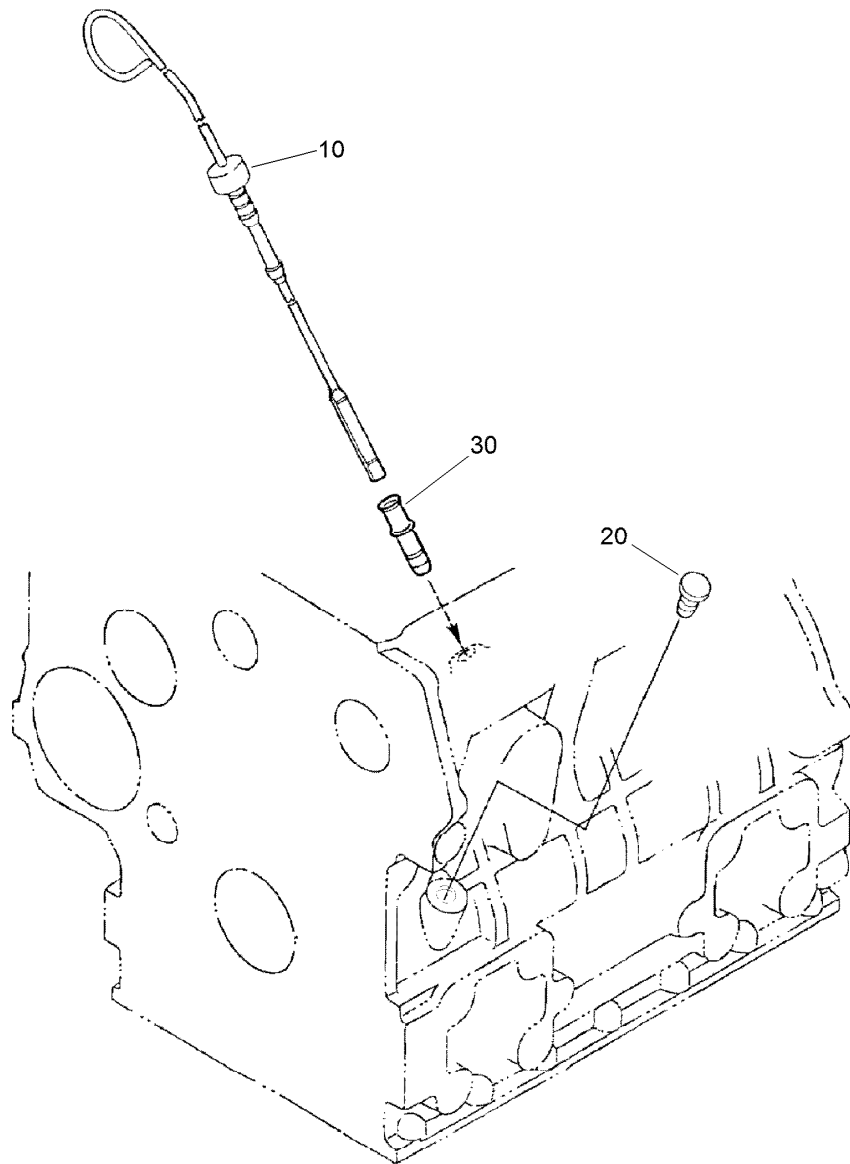
<i>Ref.</i>	<i>Part Number</i>	<i>Qty.</i>	<i>Description</i>	<i>Ref.</i>	<i>Part Number</i>	<i>Qty.</i>	<i>Description</i>
10	115-4105	1	Gear Case ASM	120	107-9073	3	Bolt
20	98-9598	2	Plug	130	105-3797	4	Bolt
25	98-7487	1	Plug	140	98-9356	4	Bolt
30	98-7562	1	Washer-Plain	150	107-9074	1	Bolt
40	98-9388	1	Joint-Pipe	160	98-9586	1	Bolt
50	98-9544	1	Spring	170	105-3709	1	Stud
60	98-9543	1	Seat-Valve	180	98-7572	1	Nut
70	98-9380	1	Ball	190	98-7699	1	Washer-Spring
80	98-9540	1	Oil Pump Rotor ASM	200	98-9482	1	Seal-Oil
85	107-9069	1	Cover-Pump, Oil	210	105-3710	2	Stud
90	107-9071	5	Screw	220	98-9641	1	Cover-Case, Gear
100	107-9072	2	Pin-Straight	230	108-3841	1	Filter-Oil
110	98-9633	1	Gasket-Case, Gear				





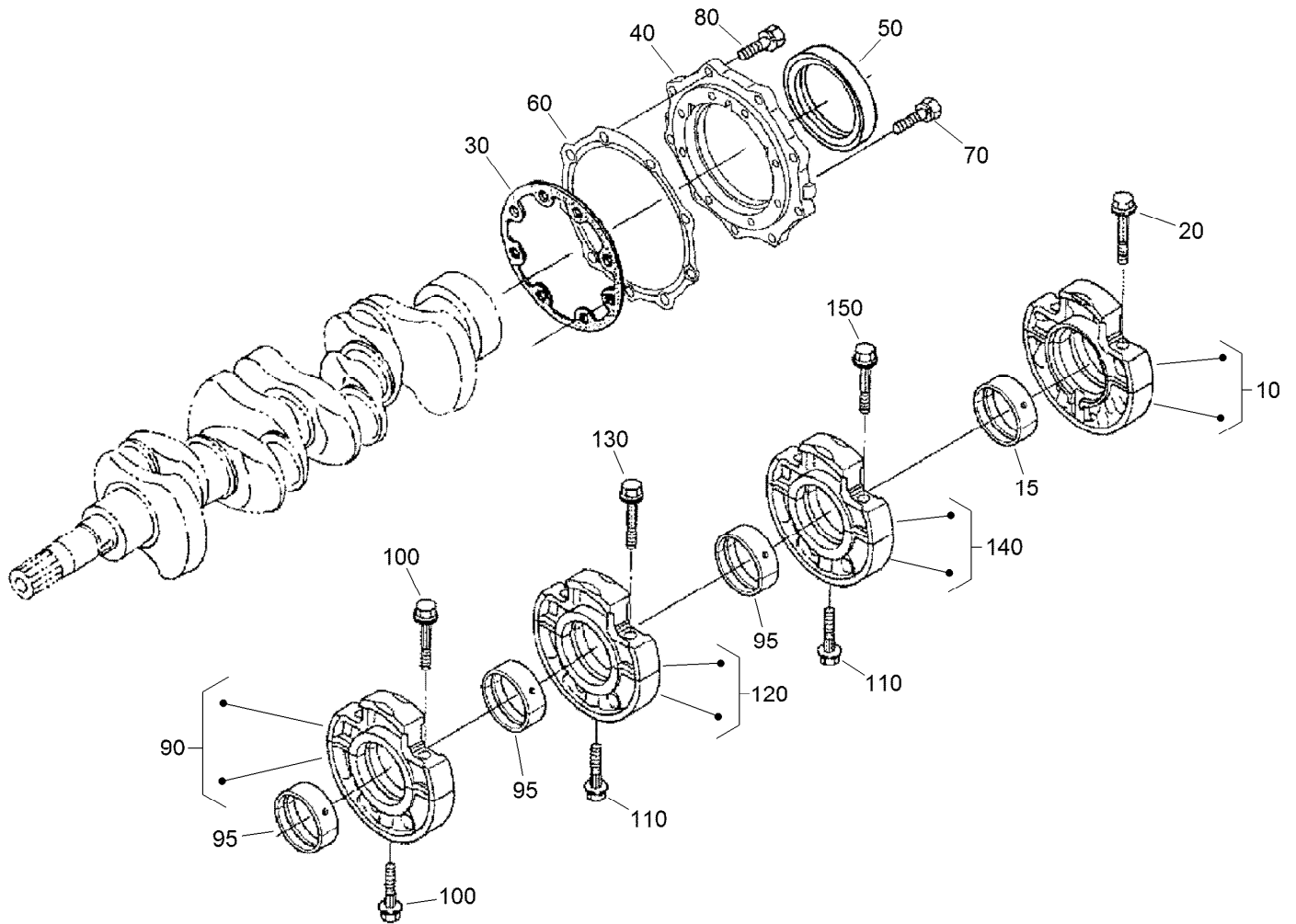
## Cylinder Head Cover Assembly

<i>Ref.</i>	<i>Part Number</i>	<i>Qty.</i>	<i>Description</i>
10	115-3038	1	Cylinder Head Cover ASM
30	105-3712	1	Gasket-Cover, Head
40	108-2861	1	Breather Valve ASM
50	110-3714	1	Cover-Breather
60	98-9364	4	Screw (With Washer)
70	98-7766	1	Pipe-Return, Water
80	98-9455	4	Nut-Cap
90	98-9454	4	Gasket
100	107-9075	1	Plug-Filler, Oil
110	99-3446	1	O-Ring
120	108-2858	1	Tube-Breather
130	108-2859	1	Clamp-Hose
140	108-2860	1	Clamp-Hose



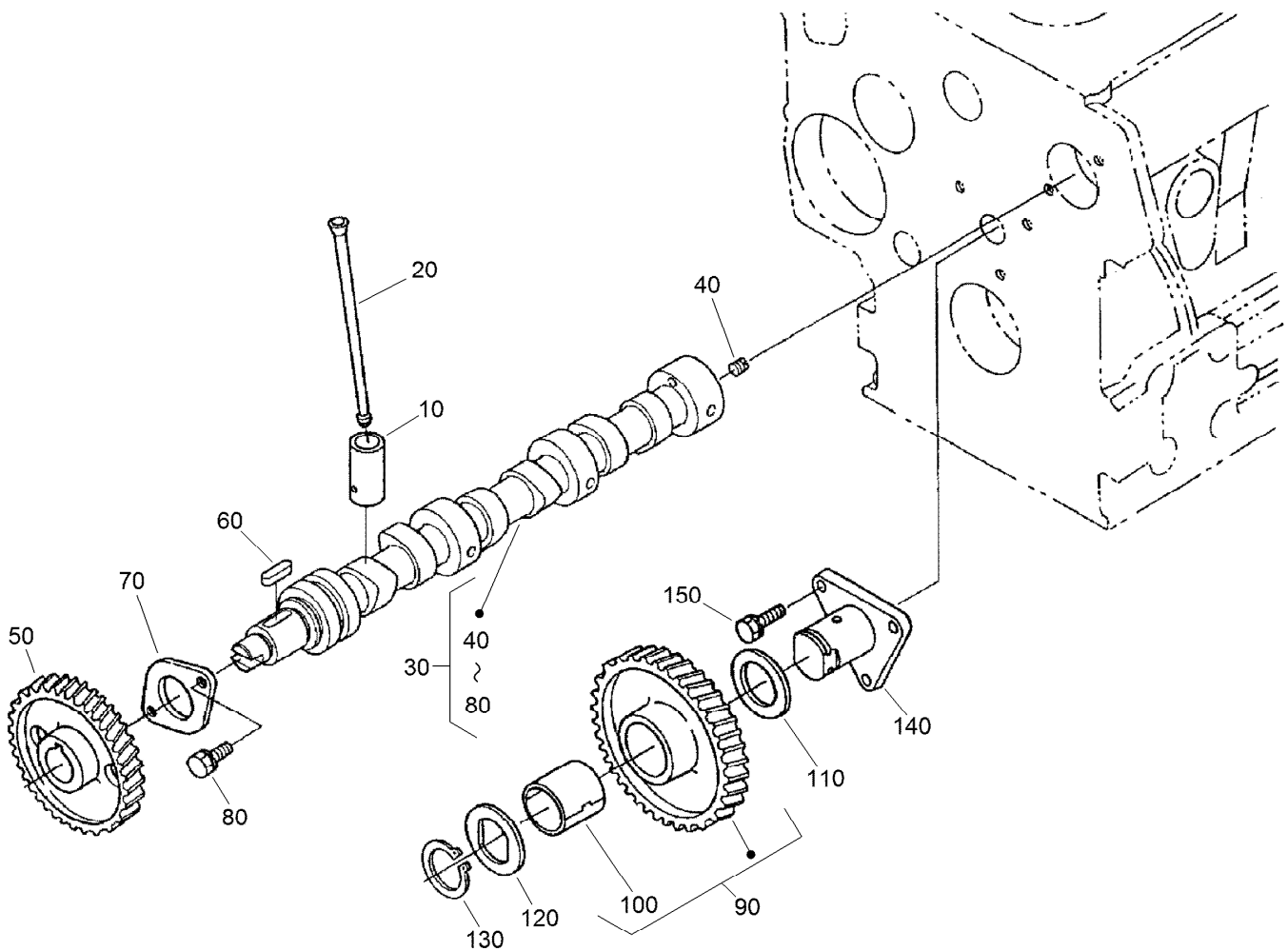
## Dipstick and Guide Assembly

<i>Ref.</i>	<i>Part Number</i>	<i>Qty.</i>	<i>Description</i>
10	105-3714	1	Gauge-Oil
20	110-3720	1	Plug-Gauge, Oil
30	105-4580	1	Guide-Gauge, Oil



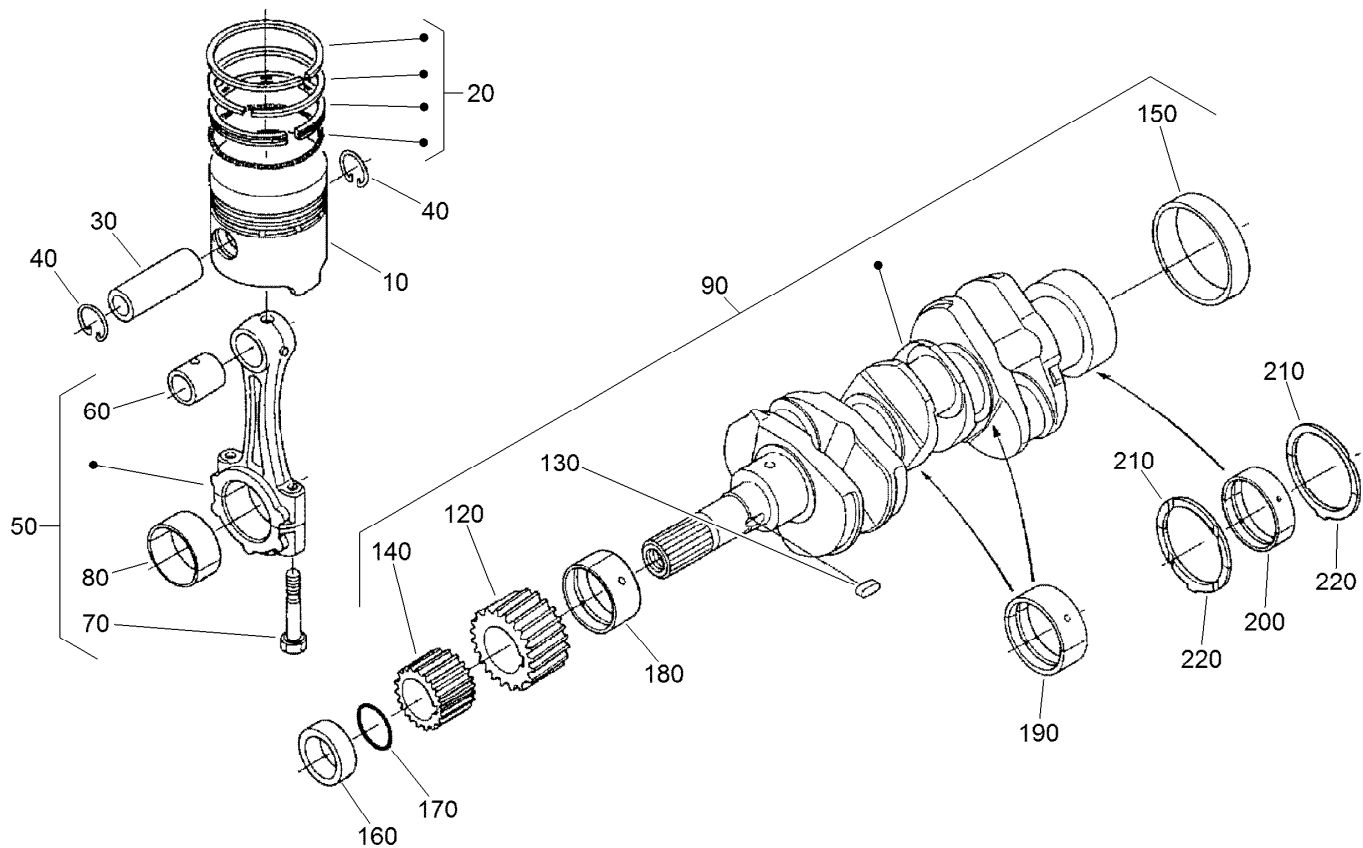
## Main Bearing Case Assembly

<i>Ref.</i>	<i>Part Number</i>	<i>Qty.</i>	<i>Description</i>	<i>Ref.</i>	<i>Part Number</i>	<i>Qty.</i>	<i>Description</i>
10	112-7026	1	Wheel Bearing Case ASM	90	115-4106	1	Main Bearing Case ASM
15	112-7045	1	Metal-Crankshaft	95	98-9524	1	Metal-Crankshaft (STD Set)
20	98-9484	2	Bolt-Case, Bearing	100	98-9484	2	Bolt-Case, Bearing
30	98-9634	1	Gasket-Case, Bearing	110	98-9485	3	Bolt-Case, Bearing
40	112-7046	1	Cover-Case, Bearing	120	115-4107	1	Main Bearing Case ASM
50	112-0180	1	Seal-Oil	130	98-9484	2	Bolt-Case, Bearing
60	112-7037	1	Gasket-Cover, Case	140	115-4108	1	Main Bearing Case ASM
70	98-9352	8	Bolt	150	98-9484	2	Bolt-Case, Bearing
80	98-7568	9	Bolt				



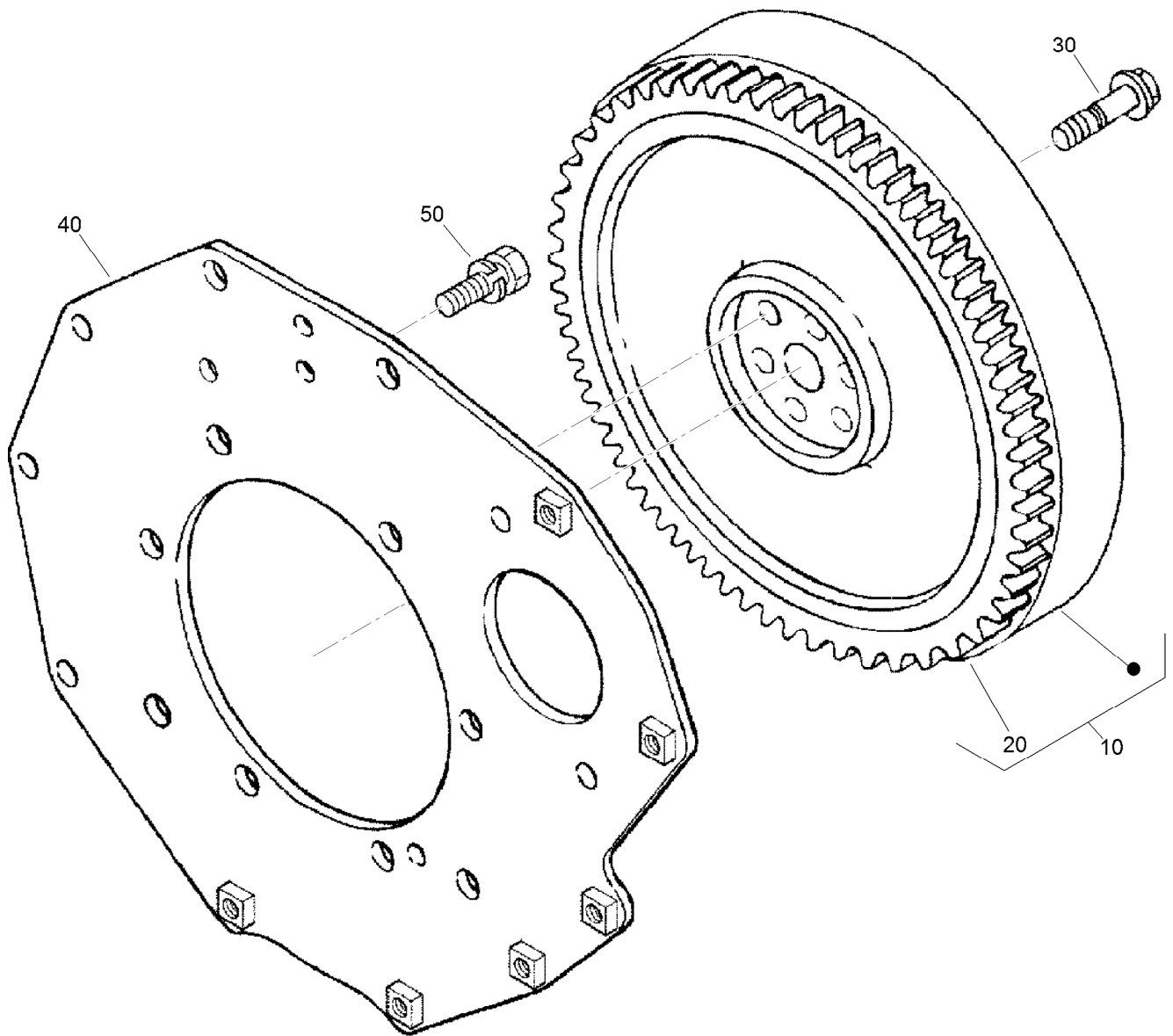
## Camshaft and Idle Gear Assembly

Ref.	Part Number	Qty.	Description
10	112-0185	8	Tappet
20	98-9509	8	Rod-Push
30	108-2865	1	Camshaft ASM
40	98-7449	1	Screw-Set
50	120-3116	1	Camshaft ASM
60	98-9378	1	Key-Feather
70	98-9510	1	Stopper-Camshaft
80	98-7692	2	Bolt
90	98-9649	1	Idle Gear ASM
100	98-9650	1	Bushing-Gear, Idle
110	98-9535	1	Collar-Gear, Idle
120	98-9536	1	Collar-Gear, Idle
130	98-9534	1	Circlip-Gear, Idle
140	98-9533	1	Shaft-Gear, Idle
150	98-7692	3	Bolt



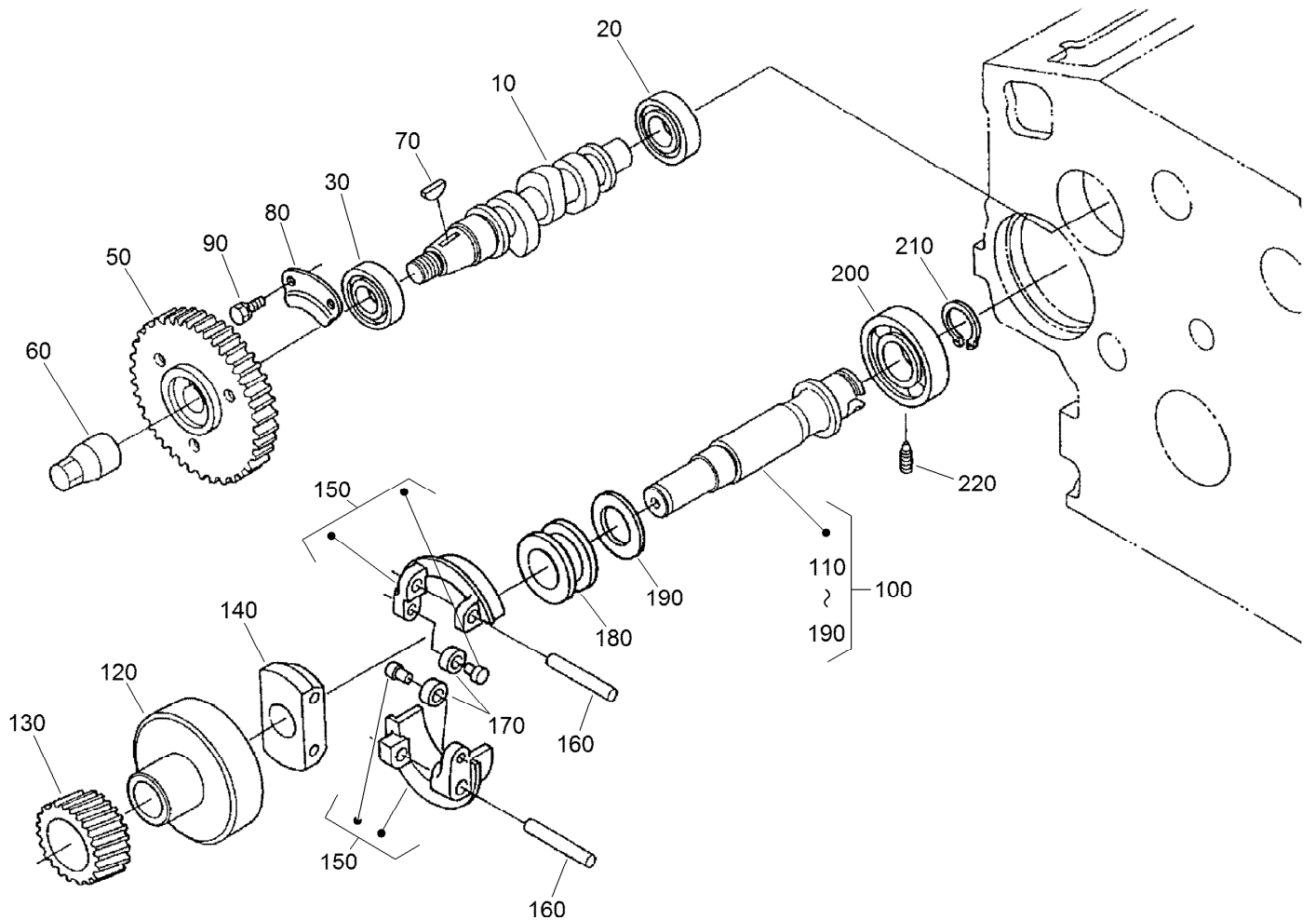
## Piston and Crankshaft Assembly

<i>Ref.</i>	<i>Part Number</i>	<i>Qty.</i>	<i>Description</i>	<i>Ref.</i>	<i>Part Number</i>	<i>Qty.</i>	<i>Description</i>
10	112-8404	4	Piston (STD)	160	98-9521	1	Collar-Crankshaft
10	112-8414	4	Piston (+0.5Mm)	170	105-3783	1	O-Ring
20	98-9551	4	Piston Ring ASM (STD)	180	98-9523	1	Metal Crankshaft (STD)
20	108-1404	4	Piston Ring ASM (+0.5MM)	180	98-9528	1	Bearing-Main (-0.2MM)
30	98-9513	4	Pin-Piston	180	98-9529	1	Bearing-Main (0.4MM)
40	98-9514	8	Circlip-Pin, Piston	190	98-9524	3	Metal-Crankshaft (STD Set)
50	117-7586	4	Connecting Rod ASM	190	98-9530	3	Bearing-Main (0.2MM)
60	115-3014	4	Bushing-Pin, Piston	190	98-9531	3	Bearing-Main (0.4MM)
70	98-9517	8	Bolt-Rod, Connecting	200	112-7045	1	Metal-Crankshaft
80	98-9518	4	Metal-Crankpin (STD)	200	112-7039	1	Metal-Crankshaft (0.2Mm)
80	98-9519	4	Bearing-Rod (-0.2MM)	200	112-7040	1	Metal-Crankshaft (-0.4Mm)
80	98-9520	4	Bearing-Rod (0.4MM)	210	98-9413	2	Bearing-Thrust (STD)
90	105-3718	1	Crankshaft ASM	210	98-9414	2	Bearing-Thrust (0.2MM)
120	98-9532	1	Gear-Crankshaft	210	98-9415	2	Bearing-Thrust (0.4MM)
130	98-9666	1	Key	220	98-9688	2	Bearing-Thrust (STD)
140	98-9542	1	Gear-Drive, Oil Pump	220	98-9689	2	Bearing-Thrust (0.2MM)
150	98-9522	1	Sleeve-Crankshaft	220	127-0438	2	Metal-Side (+0.40MM)



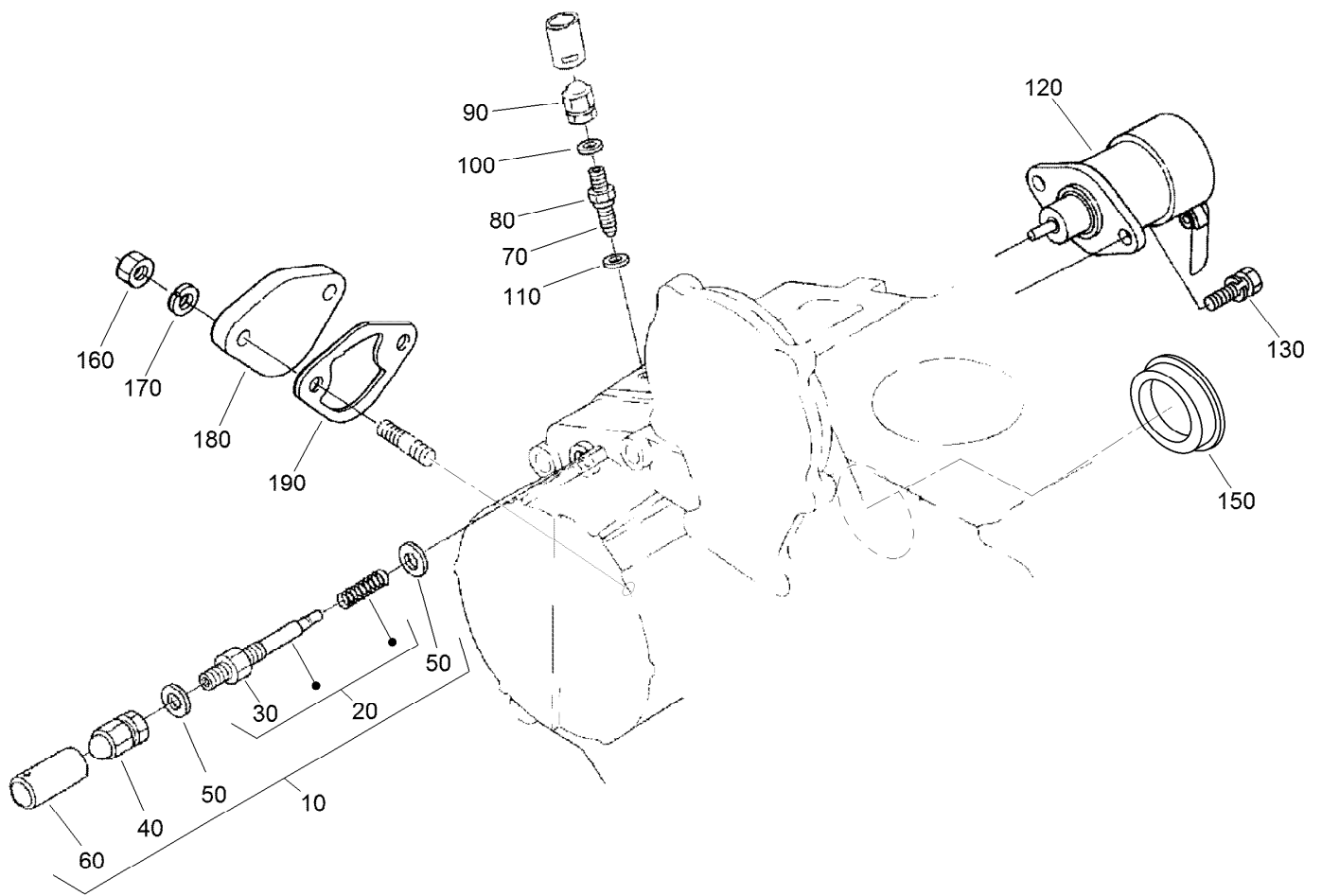
## Flywheel Assembly

<i>Ref.</i>	<i>Part Number</i>	<i>Qty.</i>	<i>Description</i>
10	105-3721	1	Flywheel ASM
20	115-3015	1	Gear-Ring
30	98-9537	6	Bolt-Flywheel
40	98-9486	1	Plate-End, Rear
50	98-9392	8	Bolt



## Fuel Camshaft and Governor Shaft Assembly

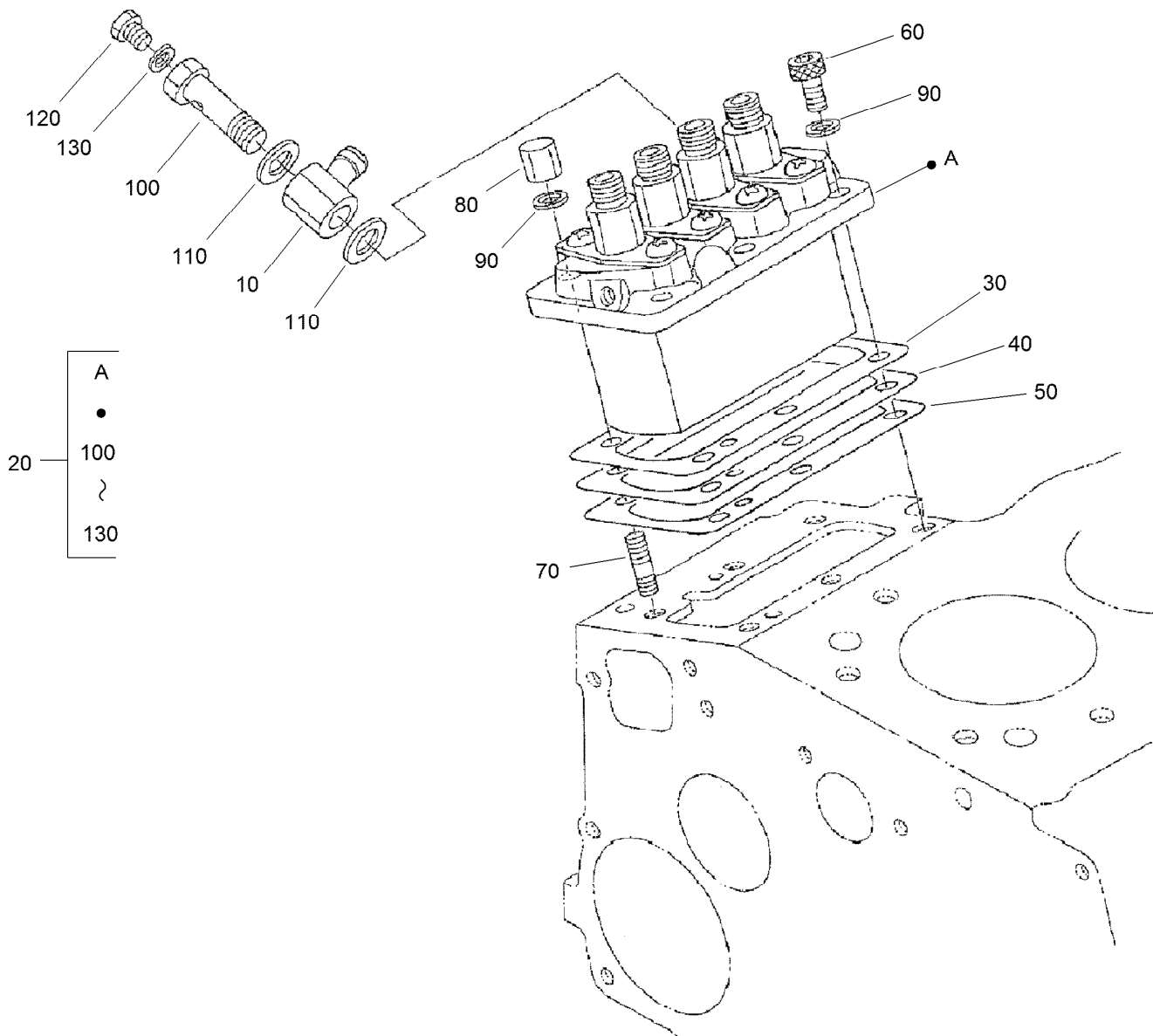
<i>Ref.</i>	<i>Part Number</i>	<i>Qty.</i>	<i>Description</i>	<i>Ref.</i>	<i>Part Number</i>	<i>Qty.</i>	<i>Description</i>
10	105-3723	1	Camshaft-Fuel	130	98-9673	1	Gear-Governor
20	107-9077	1	Bearing-Ball	140	98-9561	1	Holder-Weight, Governor
30	107-9078	1	Bearing-Ball	150	98-9559	2	Governor Weight ASM
50	98-9669	1	Gear-Pump, Injection	160	98-9560	2	Shaft-Weight, Governor
60	98-9590	1	Nut-Cap	170	98-9692	2	Roller
70	98-9595	1	Key-Woodruff	180	98-9563	1	Sleeve-Governor
80	98-9511	1	Stopper-Fuel, Camshaft	190	98-9564	1	Washer-Thrust
90	98-7692	2	Bolt	200	107-9079	1	Bearing-Ball
100	105-3724	1	Governor Shaft ASM	210	98-9657	1	Circlip-Shaft, Governor
110	105-3725	1	Shaft-Governor	220	98-9565	1	Screw-Set
120	98-9562	1	Holder-Gear, Governor				



## Idle Apparatus Assembly

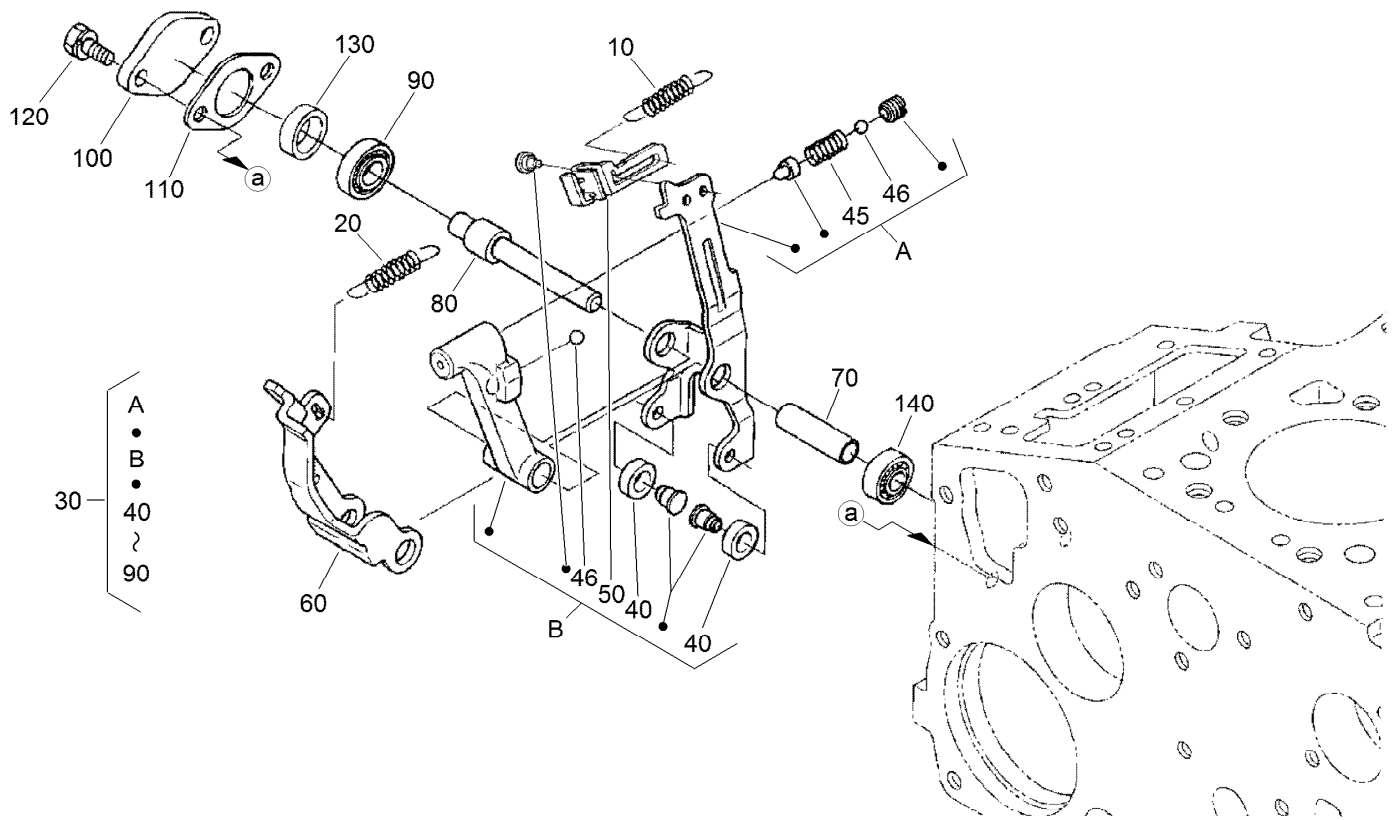
<i>Ref.</i>	<i>Part Number</i>	<i>Qty.</i>	<i>Description</i>	<i>Ref.</i>	<i>Part Number</i>	<i>Qty.</i>	<i>Description</i>
10	98-9678	1	Idle Apparatus ASM	100	98-7654	1	Gasket
20	112-7014	1	Adjusting Bolt ASM	110	107-9081	1	Gasket
30	98-9439	1	Nut	120	104-5155	1	Solenoid-Stop
40	112-0181	1	Nut	130	115-3039	2	Bolt-HSH
50	98-7654	2	Gasket	150	112-7016	1	Cover-Pump
60	98-7656	1	Cap	160	98-7572	2	Nut
70	112-7015	1	Bolt-Adjusting	170	98-7699	2	Washer-Spring
80	99-3512	1	Nut	180	99-3514	1	Cover
90	112-0181	1	Nut	190	98-9636	1	Gasket-Pump, Fuel





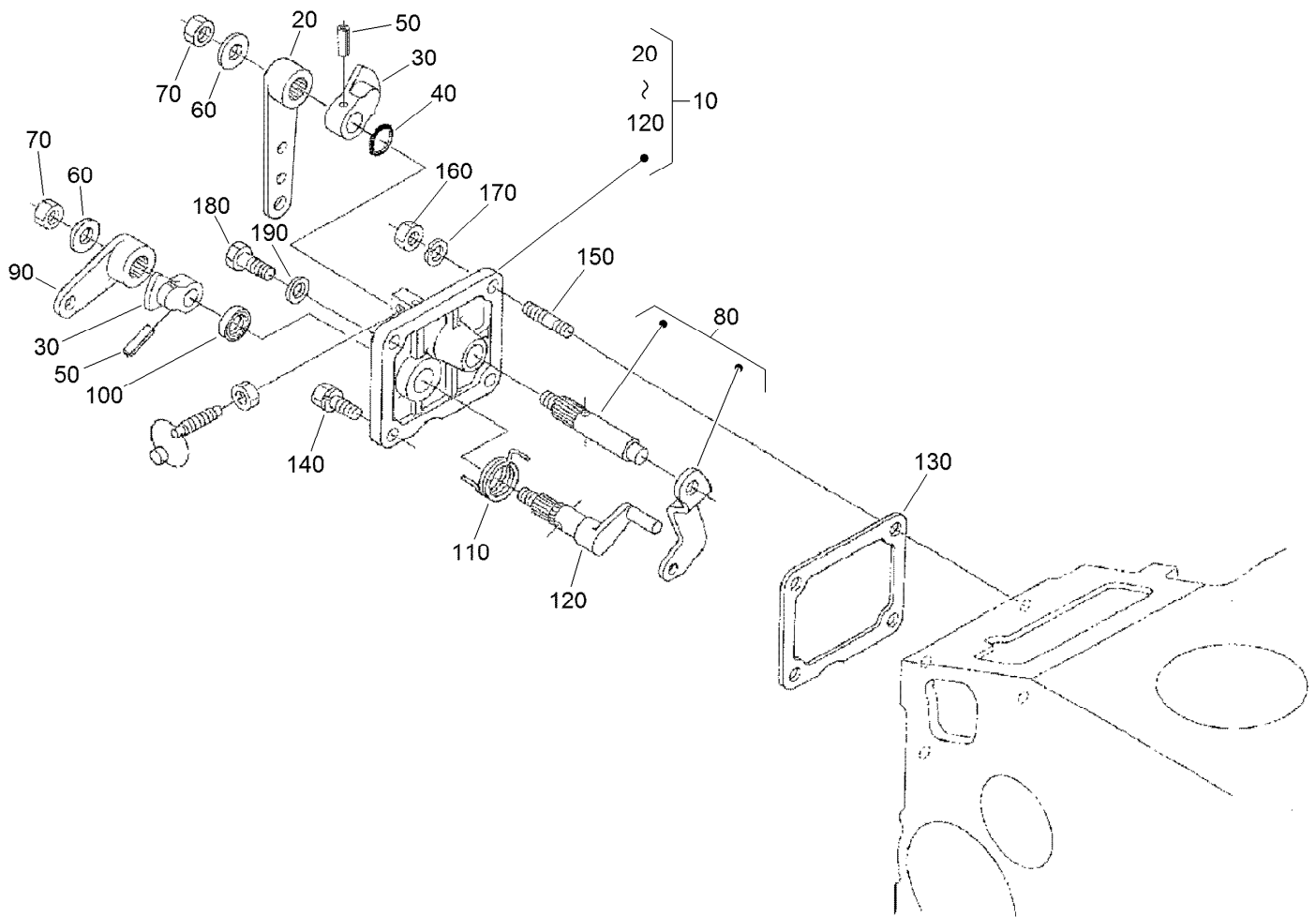
## Injection Pump Assembly

<i>Ref.</i>	<i>Part Number</i>	<i>Qty.</i>	<i>Description</i>
10	98-9596	1	Joint-Eye
20	105-3727	1	Injection Pump ASM
30	105-3728	1	Shim-Pump, Injection (.20MM)
40	105-3729	1	Shim-Pump, Injection (.25MM)
50	105-3730	1	Shim-Pump, Injection (.30MM)
60	98-9361	3	Bolt-HSH
70	98-9438	3	Stud
80	98-9440	3	Nut-Cap
90	98-7699	6	Washer-Spring
100	98-9464	1	Bolt-Joint
110	98-9445	2	Gasket
120	98-9430	1	Screw
130	98-9446	1	Gasket



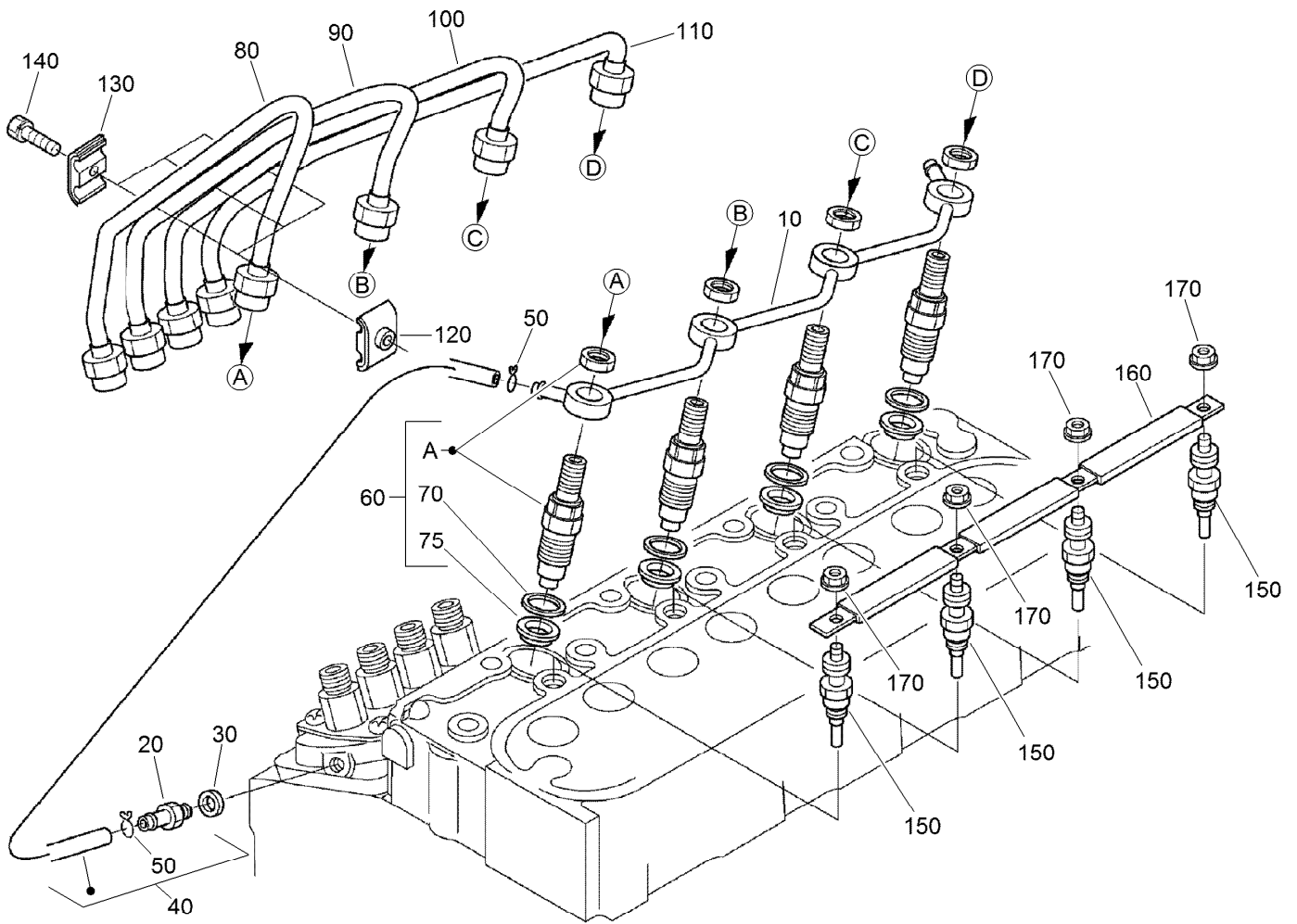
## Governor Assembly

<i>Ref.</i>	<i>Part Number</i>	<i>Qty.</i>	<i>Description</i>	<i>Ref.</i>	<i>Part Number</i>	<i>Qty.</i>	<i>Description</i>
10	105-3741	1	Spring-Start	70	107-9085	1	Shaft-Lever, Fork
20	98-9681	1	Spring-Governor	80	107-9086	1	Shaft-Lever, Fork
30	107-9082	1	Fork Lever ASM	90	98-9570	1	Bearing-Miniaturize
40	98-9692	2	Roller	100	98-9569	1	Cover-Shaft, Fork Lever
45	108-2867	1	Spring	110	98-9682	1	Gasket
46	98-7580	2	Ball	120	98-9350	2	Bolt
50	107-9083	1	Lever-Thrust	130	98-9567	1	Collar
60	107-9084	1	Lever-Fork	140	98-9571	1	Bearing-Miniaturize



## Speed Control Plate Assembly

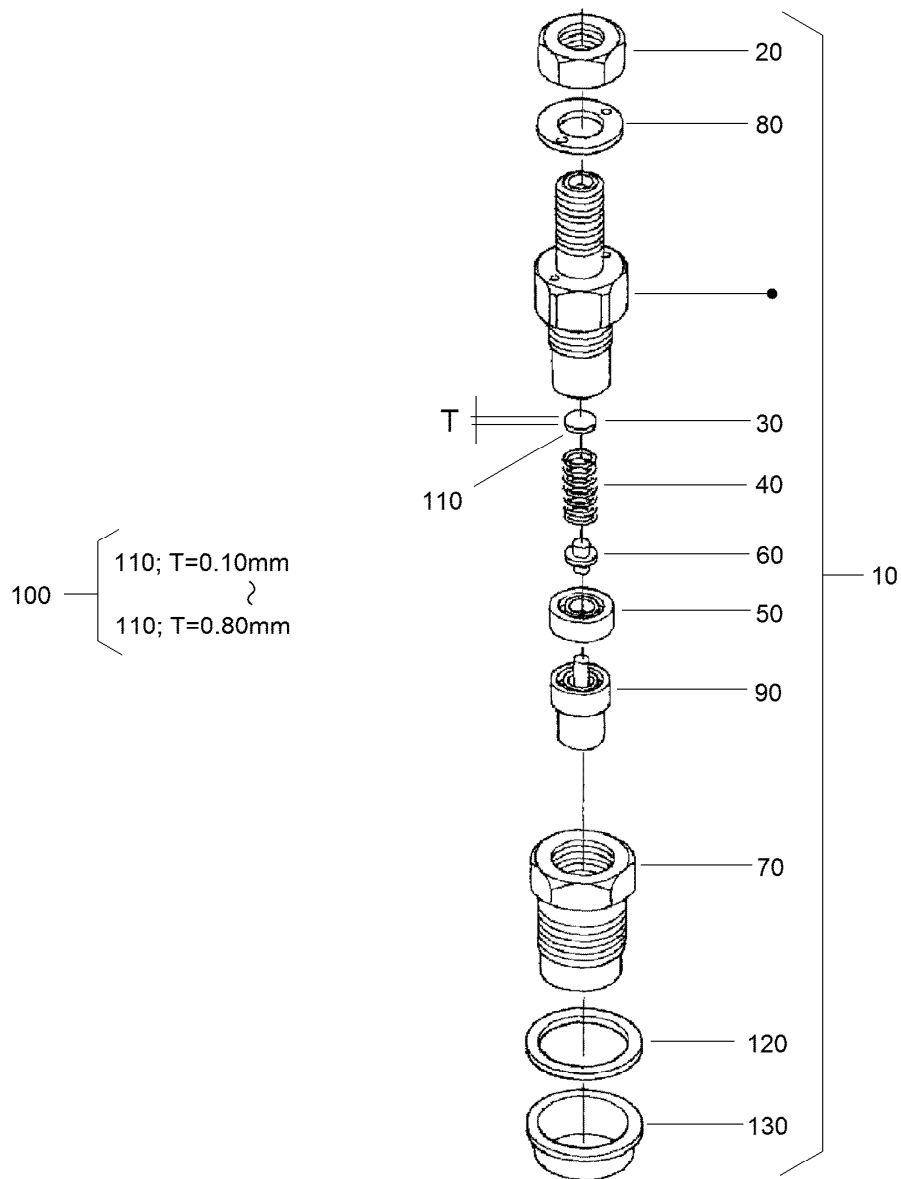
<i>Ref.</i>	<i>Part Number</i>	<i>Qty.</i>	<i>Description</i>	<i>Ref.</i>	<i>Part Number</i>	<i>Qty.</i>	<i>Description</i>
10	105-3735	1	Control Plate ASM	110	98-9472	1	Spring-Return
20	98-9662	1	Lever-Control, Speed	120	98-9664	1	Shaft-Lever, Stop
30	98-9572	2	Lever-Control, Speed	130	98-9637	1	Gasket
40	105-3788	1	O-Ring	140	98-7692	1	Bolt
50	98-7602	2	Pin-Spring	150	105-3710	2	Stud
60	98-9594	2	Washer-Plain	160	98-7572	2	Nut
70	98-9589	2	Nut	170	98-7699	2	Washer-Spring
80	98-9658	1	Governor Lever ASM	180	99-8348	1	Bolt
90	98-9663	1	Lever-Stop, Engine	190	98-7654	2	Gasket
100	98-7601	1	Seal-Oil				



## Nozzle Holder and Glow Plug Assembly

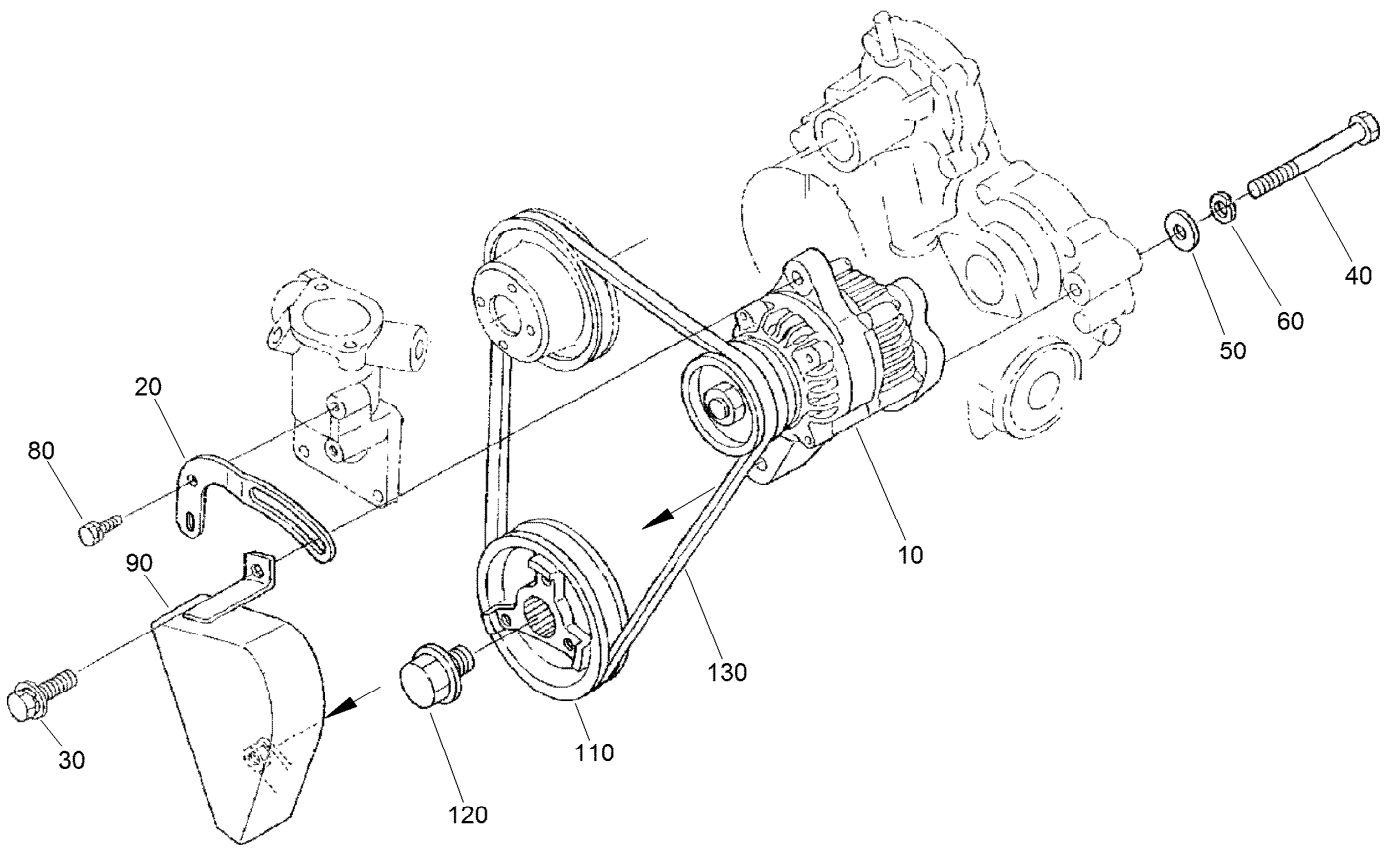
Ref.	Part Number	Qty.	Description
10	105-3737	1	Over Flow Pipe ASM
20	98-9431	1	Screw-Bleeder, Air
30	98-7654	1	Gasket
40	98-9420	1	Overflow Pipe ASM
50	98-7671	2	Clip-Pipe
60	115-3018	4	Nozzle Holder Kit
70	98-7676	4	Gasket
75	98-7677	4	Seal-Heat
80	98-9653	1	Pipe-Injection

Ref.	Part Number	Qty.	Description
90	98-9654	1	Pipe-Injection
100	98-9655	1	Pipe-Injection
110	105-3738	1	Pipe-Injection
120	98-7682	3	Clamp-Pipe
130	98-7683	3	Clamp-Pipe
140	98-7684	3	Screw (W/Washer)
150	115-3019	4	Plug-Glow
160	105-3739	1	Cord-Plug, Glow
170	99-8377	4	Nut-Flange



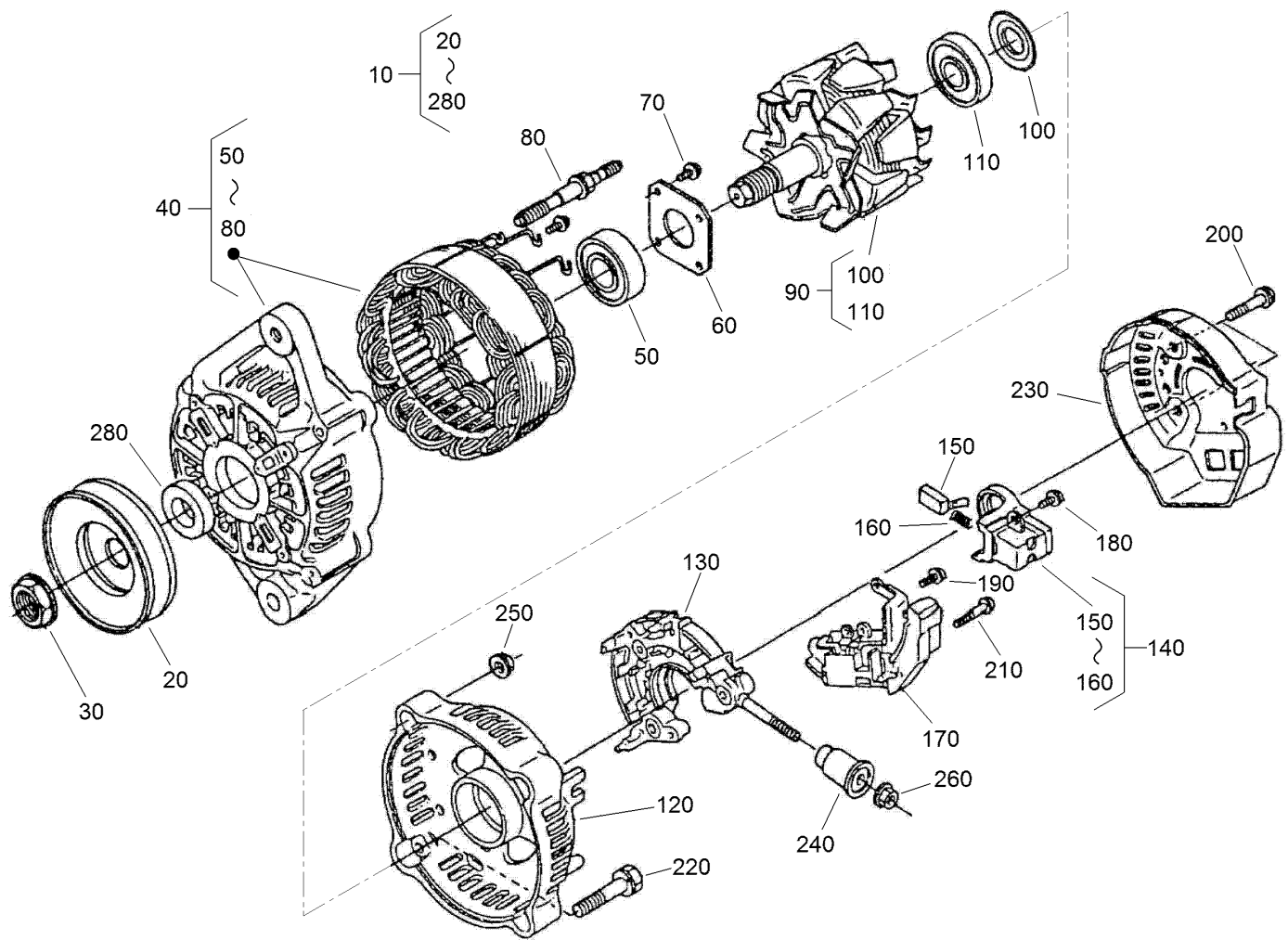
## Nozzle Holder Component Assembly

Ref.	Part Number	Qty.	Description	Ref.	Part Number	Qty.	Description
10	115-3018	4	Nozzle Holder Kit	110	99-8311	4	Washer-Adjust (0.20MM)
20	99-8301	4	Nut	110	99-8312	4	Washer-Adjust (0.30MM)
30	99-8302	4	Washer-Adjusting	110	99-8313	4	Washer-Adjust (0.40MM)
40	99-8303	4	Spring-Nozzle	110	99-8314	4	Washer-Adjust (0.50MM)
50	99-8304	4	Spacer-Distance	110	99-8315	4	Washer-Adjust (0.52MM)
60	99-8305	4	Rod-Push	110	99-8316	4	Washer-Adjust (0.54MM)
70	99-8306	4	Nut-Nozzle	110	99-8317	4	Washer-Adjust (0.56MM)
80	99-8307	4	Washer-Plain	110	99-8318	4	Washer-Adjust (0.58MM)
90	115-3020	4	Piece-Nozzle	110	99-8319	4	Washer-Adjust (0.80MM)
100	99-8309	4	Adjusting Washer ASM	120	98-7676	4	Gasket
110	99-8310	4	Washer-Adjust (0.10MM)	130	98-7677	4	Seal-Heat



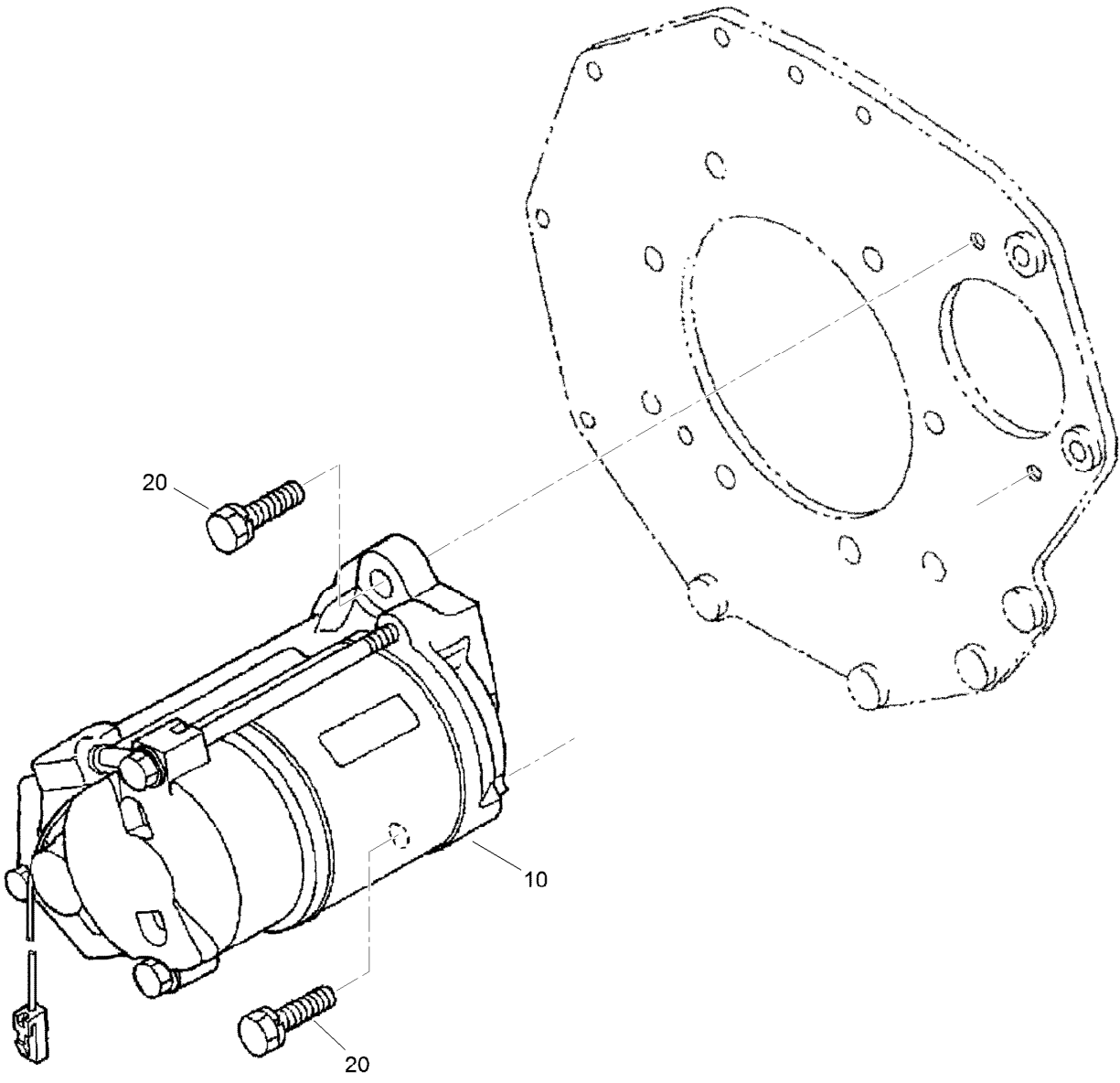
## Alternator and Pulley Assembly

<i>Ref.</i>	<i>Part Number</i>	<i>Qty.</i>	<i>Description</i>
10	117-5541	1	60 Amp Alternator ASM
20	117-5542	1	Bracket
30	108-7088	1	Bolt
40	98-9360	1	Bolt
50	98-7696	1	Washer-Plain
60	98-7738	1	Washer-Spring
80	98-7692	1	Bolt
90	108-2868	1	Cover-Belt
110	105-3745	1	Pulley-Drive, Fan
120	98-9585	1	Bolt
130	98-9676	1	V-Belt



## Alternator Components Assembly

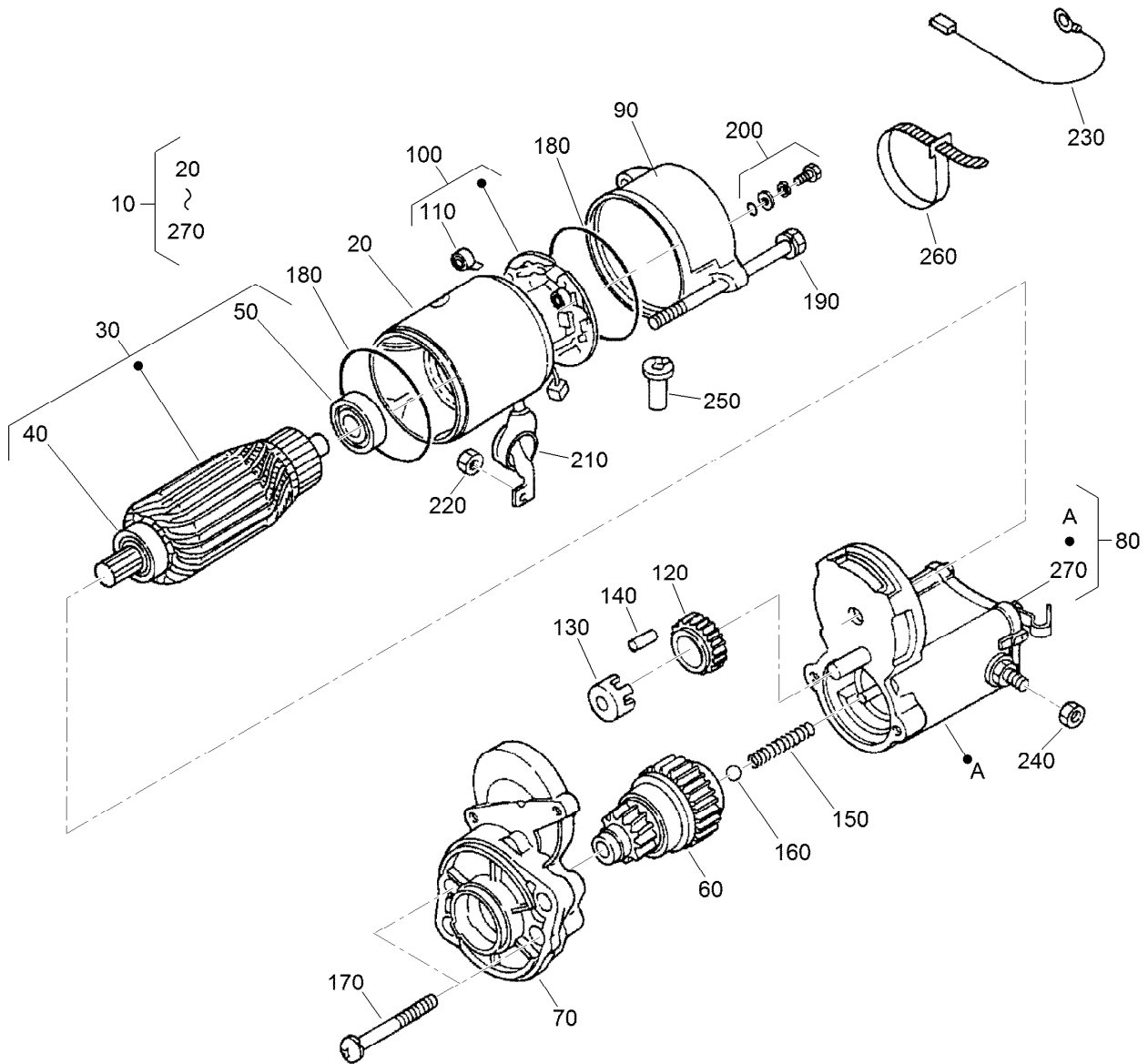
Ref.	Part Number	Qty.	Description	Ref.	Part Number	Qty.	Description
10	117-5541	1	60 Amp Alternator ASM	150	98-7724	2	Brush
20	98-9453	1	Pulley-Dynamo	160	98-7725	2	Spring-Brush
30	98-7708	1	Nut	170	117-0319	1	Regulator ASM
40	117-0316	1	Drive End Frame ASM	180	98-7727	6	Screw-Head, Round
50	133-2811	1	Bearing	190	98-7728	1	Screw-Head, Round
60	98-7715	1	Plate-Retainer	200	98-7729	3	Bolt
70	98-7716	4	Screw-Head, Round	210	98-7726	2	Screw-Head, Round
80	98-7717	2	Bolt-Through	220	98-7731	2	Bolt
90	117-0317	1	Rotor ASM	230	117-0320	1	Cover-End
100	98-7711	1	Cover-Bearing	240	117-0321	1	Insulation-Brush
110	107-0138	1	Bearing-Ball	250	98-7730	2	Nut
120	133-2813	1	Frame-End	260	98-7732	1	Nut
130	117-0322	1	Holder	280	98-7709	1	Collar
140	107-0141	1	Brush Holder ASM				



## Starter Assembly

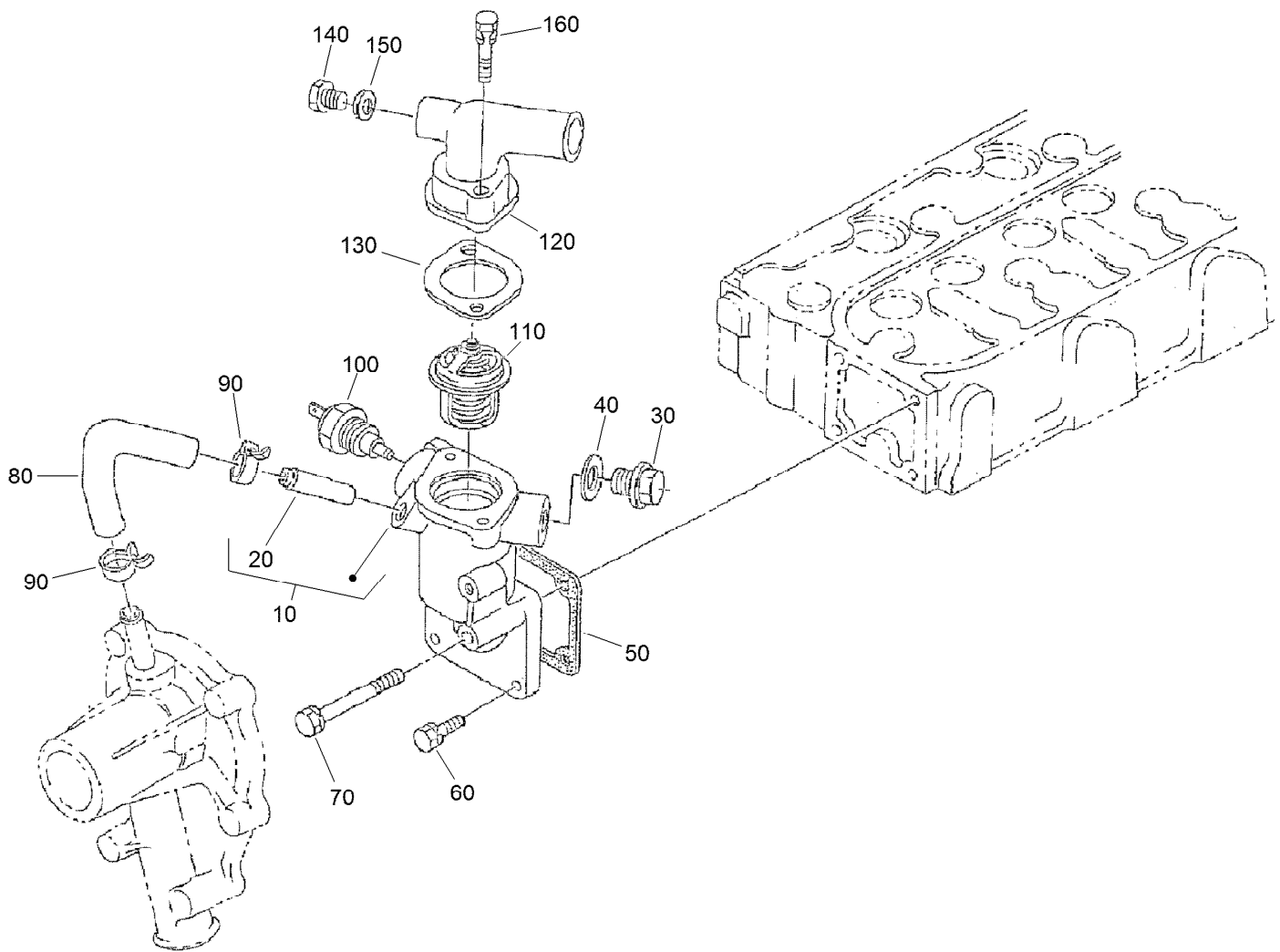
<i>Ref.</i>	<i>Part Number</i>	<i>Qty.</i>	<i>Description</i>
10	98-9705	1	Starter ASM
20	98-7697	2	Bolt





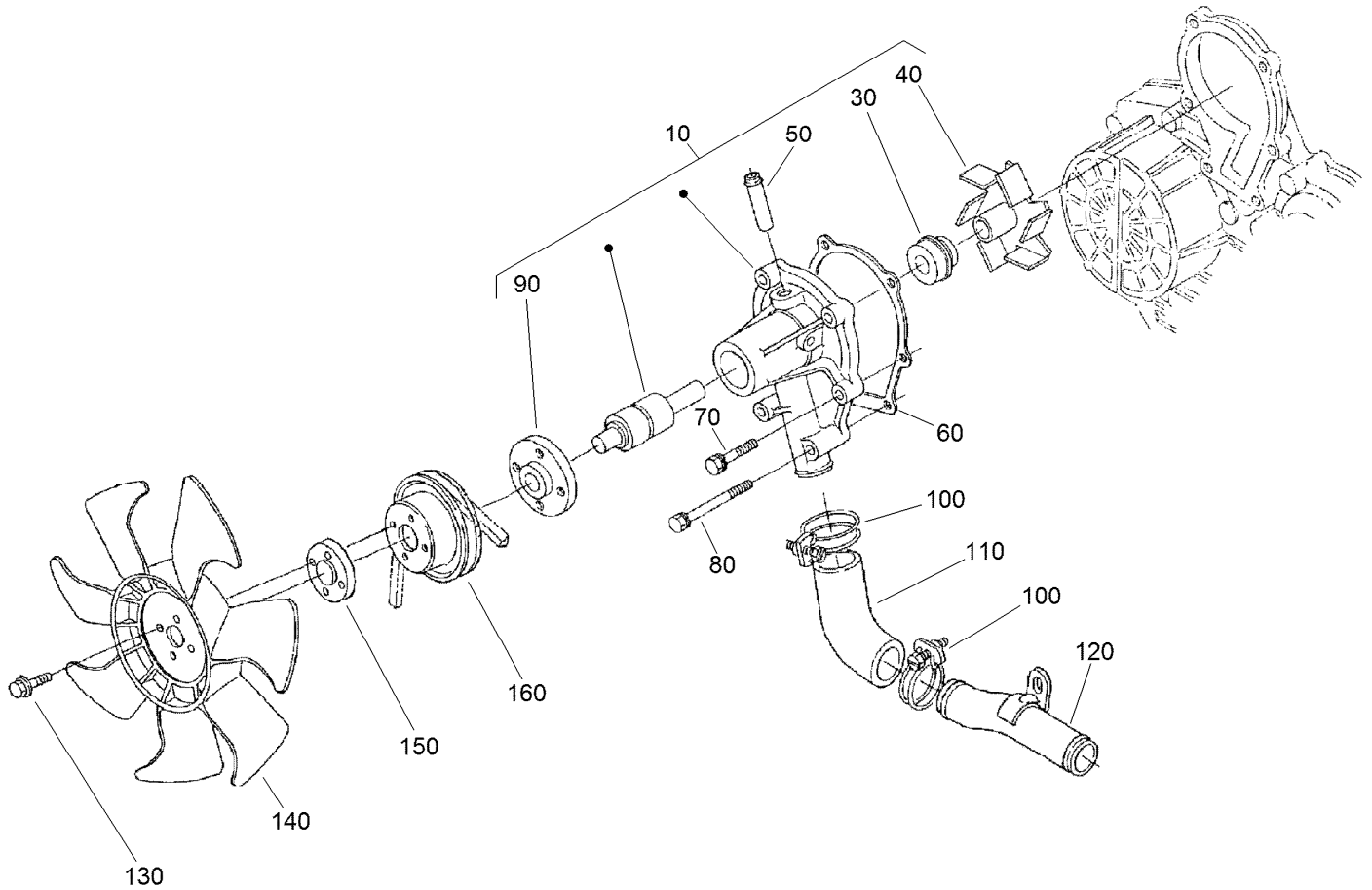
## Starter Component Part Assembly No. 111-7496

<i>Ref.</i>	<i>Part Number</i>	<i>Qty.</i>	<i>Description</i>	<i>Ref.</i>	<i>Part Number</i>	<i>Qty.</i>	<i>Description</i>
10	98-9705	1	Starter ASM	150	98-7754	1	Spring
20	104-8608	1	Yoke ASM	160	98-7755	1	Ball
30	98-7742	1	Armature ASM	170	98-7756	2	Bolt
40	98-7744	1	Bearing	180	98-7757	2	O-Ring
50	98-7743	1	Bearing	190	100-9240	2	Bolt
60	99-8373	1	Clutch-Running, Over	200	98-7758	2	Bolt ASM
70	99-8374	1	Frame-End, Drive	210	99-8375	1	Cover
80	105-3746	1	Magnetic Switch ASM	220	99-8371	1	Nut-Hex
90	98-7748	1	Frame-End	230	98-9711	1	Cord-Solenoid, Stop
100	98-7749	1	Brush Holder ASM	240	99-8376	1	Nut-Hex
110	98-7750	4	Spring-Brush	250	98-7759	1	Pipe-Drain
120	98-7751	1	Gear	260	98-9712	1	Band-Cover
130	98-7752	1	Retainer	270	105-2886	1	Cover ASM
140	98-7753	5	Roller				



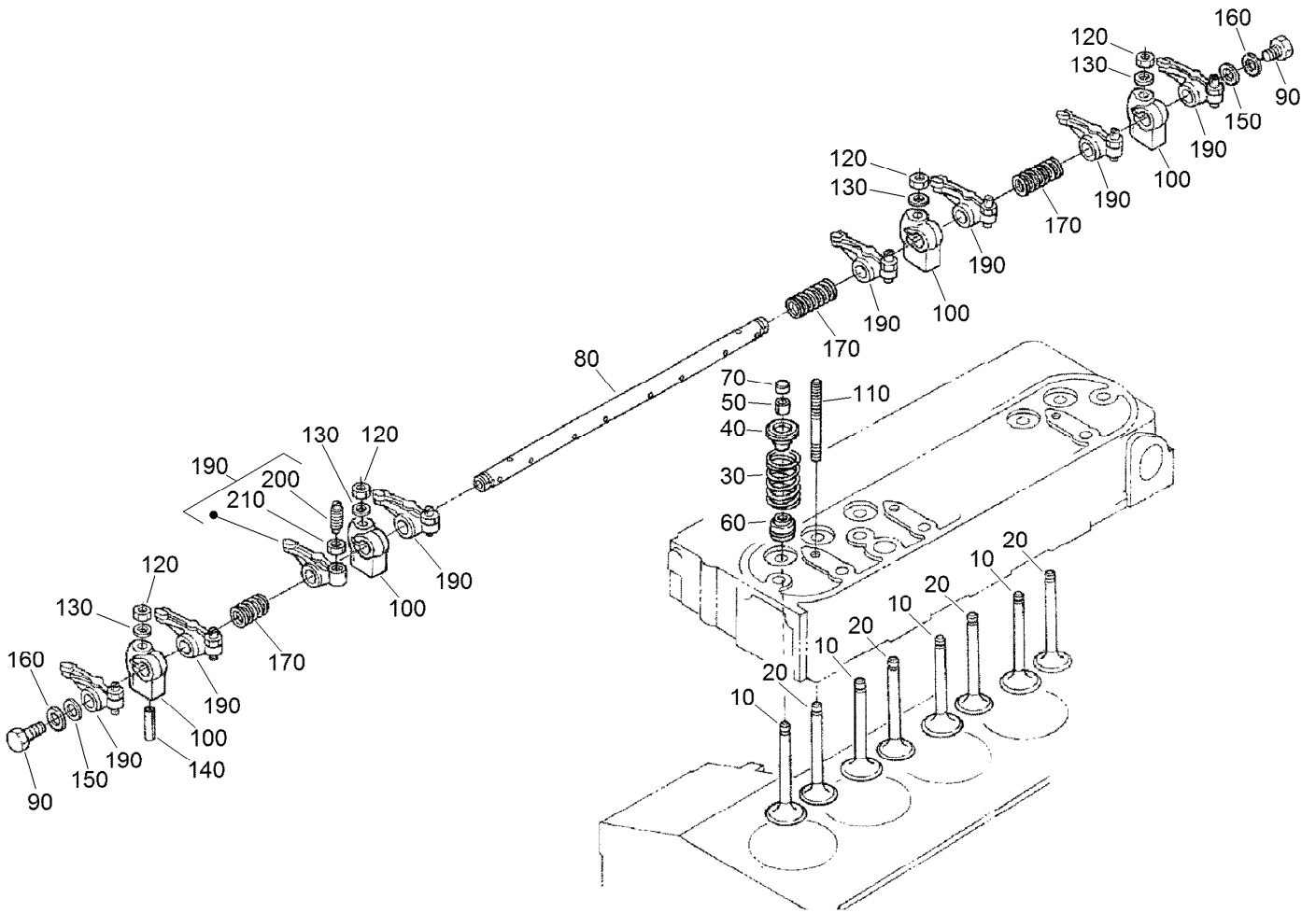
## Water Flange and Thermostat Assembly

<i>Ref.</i>	<i>Part Number</i>	<i>Qty.</i>	<i>Description</i>	<i>Ref.</i>	<i>Part Number</i>	<i>Qty.</i>	<i>Description</i>
10	98-9713	1	Water Flange ASM	90	98-9579	2	Band-Pipe
20	98-9580	1	Pipe-Return, Water	100	98-9719	1	Thermoswitch
30	105-3747	1	Plug	110	98-7778	1	Thermostat ASM
40	99-3583	1	Gasket	120	108-2869	1	Cover-Thermostat
50	98-9638	1	Gasket-Flange, Water	130	105-3748	1	Gasket-Thermostat
60	98-7692	3	Bolt	140	108-2870	1	Plug-Drain
70	98-9356	1	Bolt	150	100-9155	1	Gasket
80	98-9578	1	Pipe-Return, Water	160	98-7777	2	Bolt



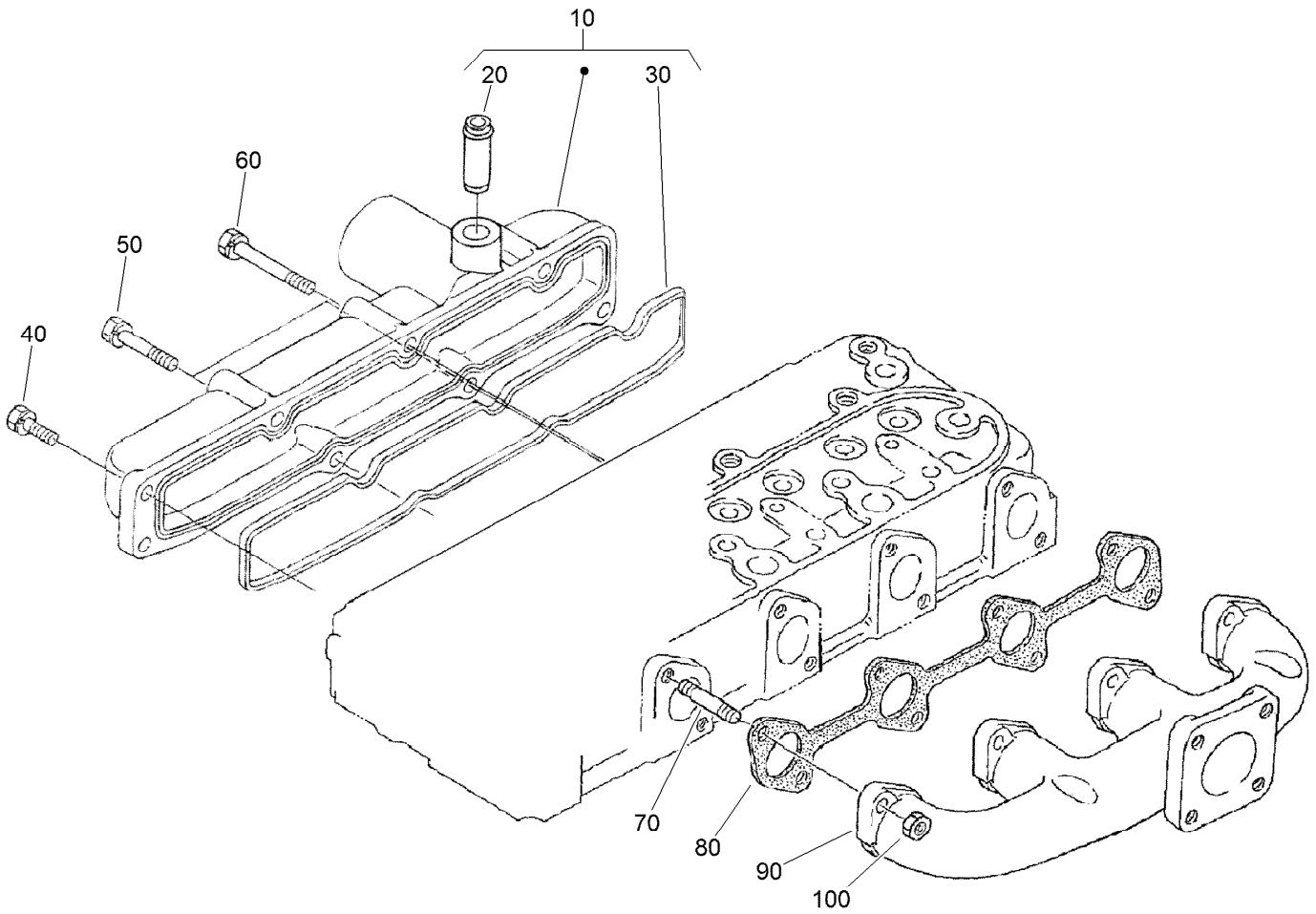
## Water Pump Assembly

Ref.	Part Number	Qty.	Description
10	107-9089	1	Water Pump ASM
30	105-3750	1	Mechanical Seal ASM
40	112-7017	1	Impeller-Pump, Water
50	100-1932	1	Pipe-Return, Water
60	99-3454	1	Gasket-Pump, Water
70	98-9353	4	Bolt
80	107-9090	2	Bolt
90	99-3516	1	Flange-Pump, Water
100	98-9717	2	Clamp
110	107-9091	1	Pipe-Water
120	98-9716	1	Pipe-Water
130	108-2873	4	Bolt-Flange
140	108-2871	1	Fan
150	108-2872	1	Collar-Fan
160	98-9584	1	Pulley-Fan



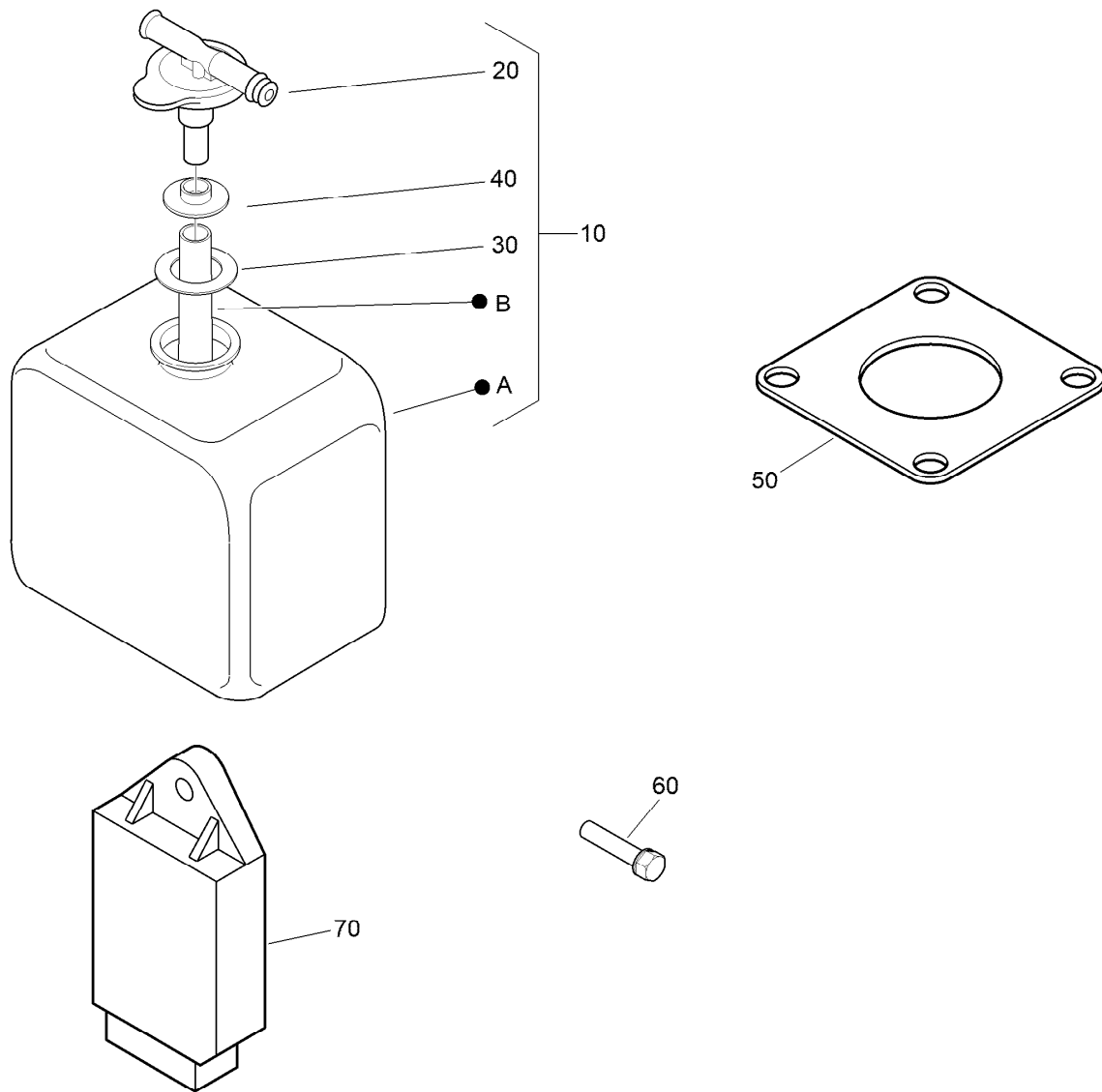
## Valve and Rocker Arm Assembly

<i>Ref.</i>	<i>Part Number</i>	<i>Qty.</i>	<i>Description</i>	<i>Ref.</i>	<i>Part Number</i>	<i>Qty.</i>	<i>Description</i>
10	112-7018	4	Valve-Inlet	110	98-9506	4	Stud
20	112-7021	4	Valve-Exhaust	120	98-9393	4	Nut
30	98-9648	8	Spring-Valve	130	98-9385	4	Washer-Flat
40	107-9092	8	Retainer-Spring	140	105-3758	1	Pin-Spring
50	98-9390	8	Collet-Spring, Valve	150	98-9507	2	Washer-Shaft, Rocker Arm
60	99-8385	8	Seal-Stem, Valve	160	110-3832	2	Washer-Plain
70	98-9497	8	Cap-Valve	170	98-9504	2	Spring-Arm, Rocker
80	105-3757	1	Shaft-Arm, Rocker	190	98-9501	8	Rocker Arm ASM
90	100-9265	2	Bolt	200	98-9502	8	Screw-Adjusting
100	98-9505	4	Bracket-Arm, Rocker	210	98-9503	8	Nut



## Inlet and Exhaust Manifold Assembly

<i>Ref.</i>	<i>Part Number</i>	<i>Qty.</i>	<i>Description</i>
10	108-2874	1	Intake Manifold ASM
20	98-9492	1	Joint-Pipe, Breather
30	105-3760	1	Gasket-Manifold, Intake
40	98-7605	3	Bolt
50	98-9353	2	Bolt
60	105-3797	3	Bolt
70	98-9588	8	Stud
80	105-3765	1	Gasket-Manifold, Exhaust
90	114-9573	1	Manifold-Exhaust
100	98-9665	8	Nut



## Muffler Gasket, Glow Controller and Overflow Bottle Assembly

<i>Ref.</i>	<i>Part Number</i>	<i>Qty.</i>	<i>Description</i>
10	108-0638	1	Bottle-Overflow
20	105-3754	1	Cap
30	105-3755	1	Gasket
40	105-3756	1	Plate
50	98-9611	1	Gasket
60	98-7610	1	Bolt
70	98-7611	1	Controller-Glow

# Attachments and Accessories

## For 41393 Multi Pro 5800-D Turf Sprayer with ExcelaRate Spray System

Product Name	Model/Part
Foam Marker Kit .....	41249
Drift Reduction Boom Shroud Kit .....	41602
Road Light / Homologation Kit .....	41628
Pivoting Hose Reel Kit .....	41621
Eductor Kit .....	41622
Single Nozzle Kit.....	41023
Tank Rinse Kit.....	41614
Pro-Foam.....	41607
Pro Foam Concentrate (4 x 1 Gallon) .....	41157
Premium All Purpose Grease (Tube) .....	108-1190
Ultra Sonic Boom Finishing Kit.....	130-8229
Spark Arrestor .....	115-2919
Premium Engine Oil 10w30 (55 Gallon Drum) .....	121-6392
Premium Engine Oil 10w30 (5 Gallon Pail) .....	121-6393
Low Flow Kit .....	130-7258
Beacon Kit .....	120-8505
Covered Boom Spring Upgrade Kit.....	120-8508
Premium Heavy Duty All Season Gear Lube (Pail) .....	108-1188
Premium Heavy Duty All Season Gear Lube (Quart) .....	108-1591
Lance Suction Assembly .....	127-9826
Hand Spray Wand Kit .....	41118
Premium All Season Hydraulic Fluid (55 Gallon Drum) .....	108-1177
Premium All Season Hydraulic Fluid (5 Gallon Pail).....	108-1178
License Plate Kit.....	120-8506
Rear Work Light Kit.....	41010
Ultra Sonic Boom Leveling Kit .....	41219
Finishing Kit, Foam Marker for Serial Number 315000001 and After Multi Pro 5800 Turf Sprayer.....	136-0458
Wheel And Tire Asm .....	127-1100
Tire .....	119-6021
Pump Head Kit.....	133-2898
Right Hand Step Kit .....	130-8230
Geolink Lte Precision Spray System.....	41633
Left Hand Step Kit.....	130-8231
Geolink - GSM .....	41634
TNL Reference Antenna Kit, MR-2 .....	41635
Nozzalert - Mp Nozzle Flow System .....	41166
CL-55 CDMA Modem Kit .....	41638
Clutch Assembly, Right.....	41639
Pivoting Hose Reel Finishing Kit, 2014 and Before Multi-Pro 5800 Turf Sprayer .....	131-3291
CE Kit, Multi-Pro 5800 Turf Sprayer .....	120-0637
Autoguidance Kit - Multi Pro 5800.....	41636
Geolink Finish Kit, Mp 5800 .....	41675
AutoSteer Finish Kit, Serial Number 316000001 and After Multi Pro 5800 Turf Sprayer with GeoLink .....	138-6246
X25 Monitor Kit .....	41637

# Attachments and Accessories (continued)

GSM RTK Correction Modem Kit, GeoLink Precision Spray System..... 41625  
X25 GeoLink Precision Spray System Kit, Serial Number 315000001 and After Multi Pro 1750 or 5800 Turf  
Sprayer ..... 41630



**Notes:**

**Notes:**

**Notes:**



**Count on it.**